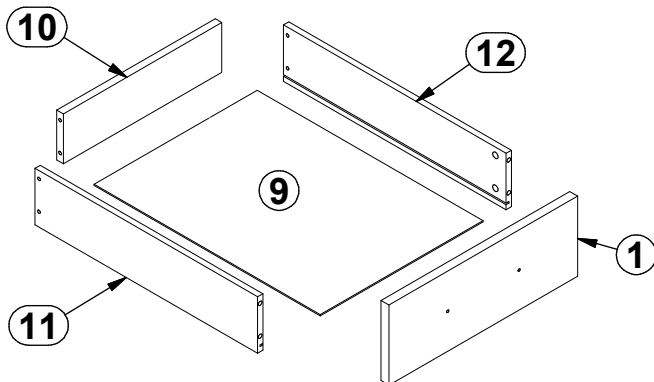
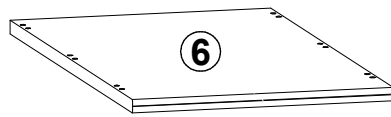
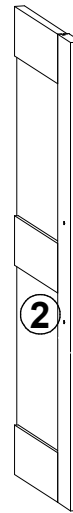
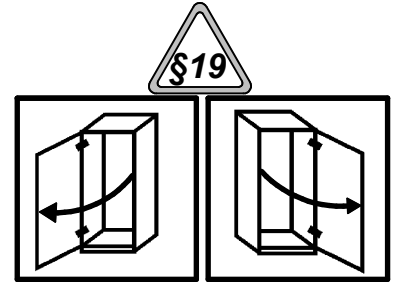
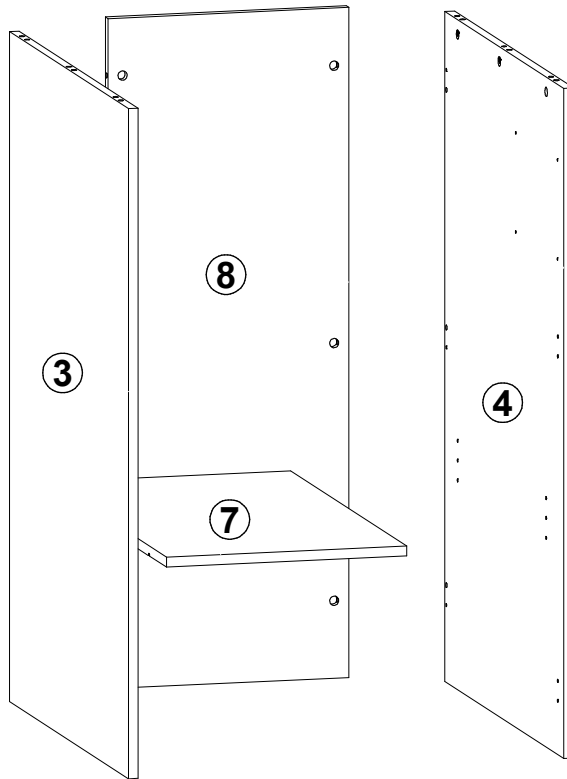
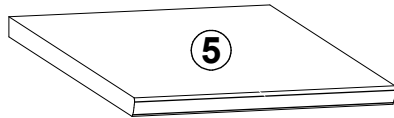
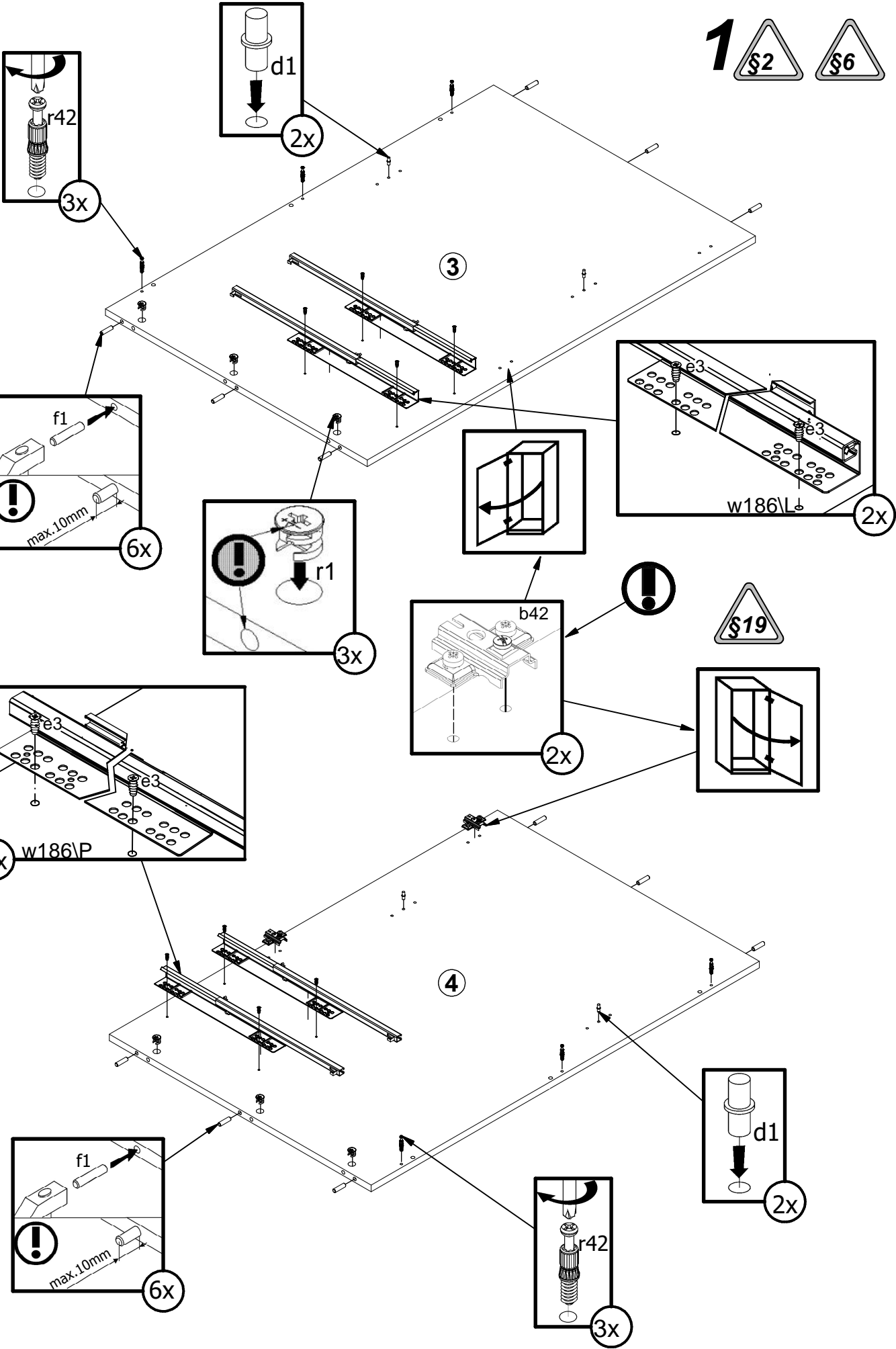
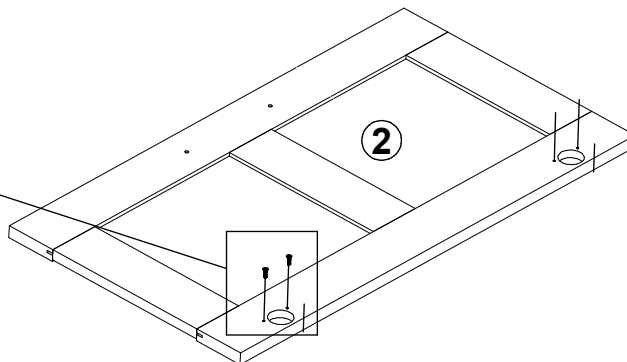
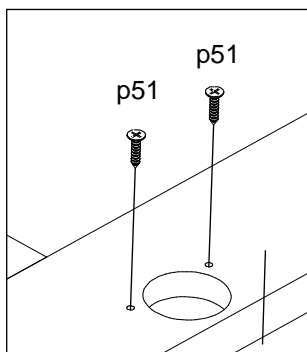
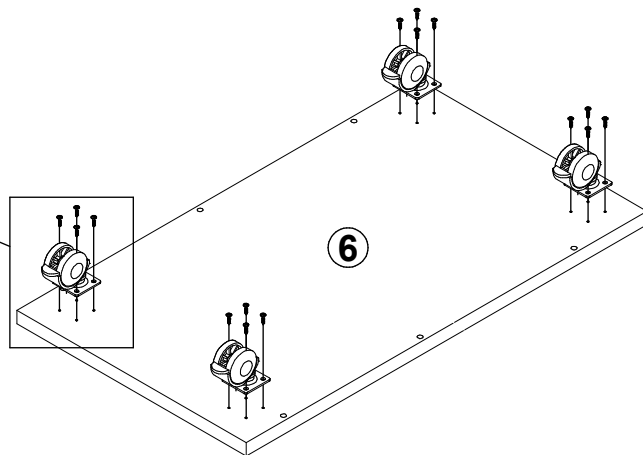
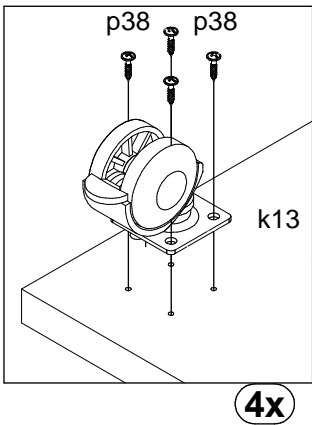
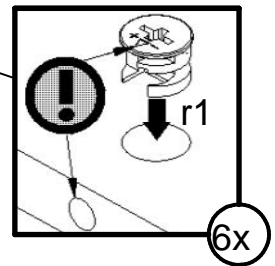
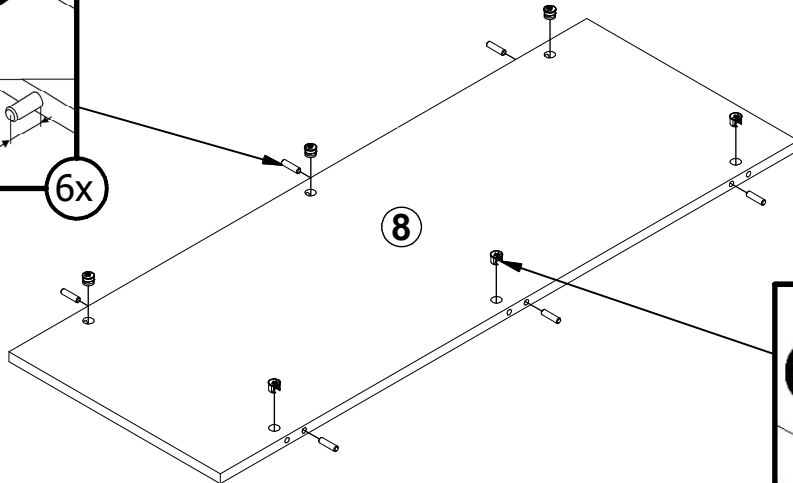
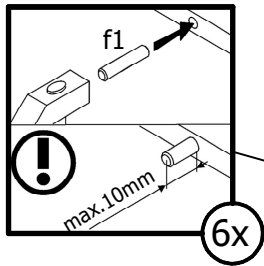
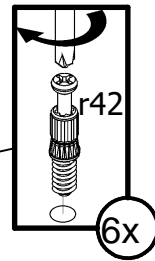
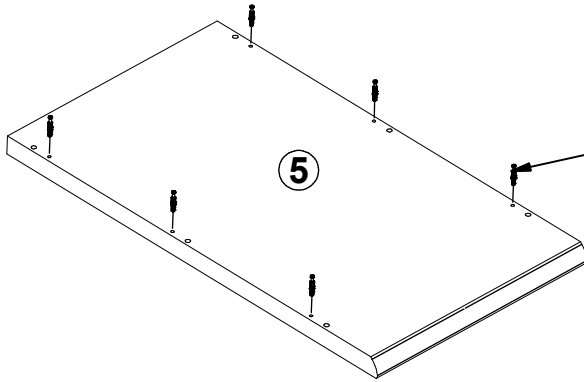


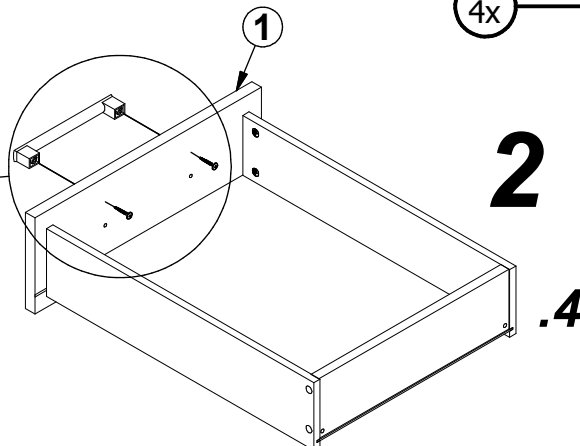
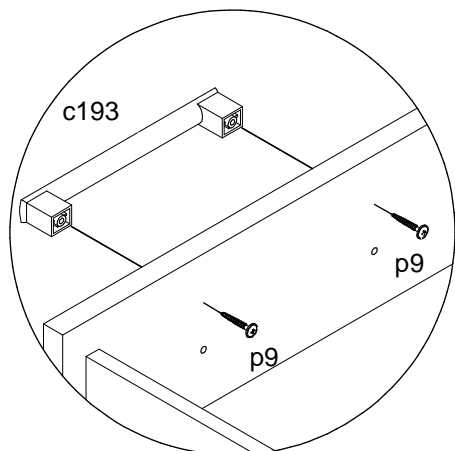
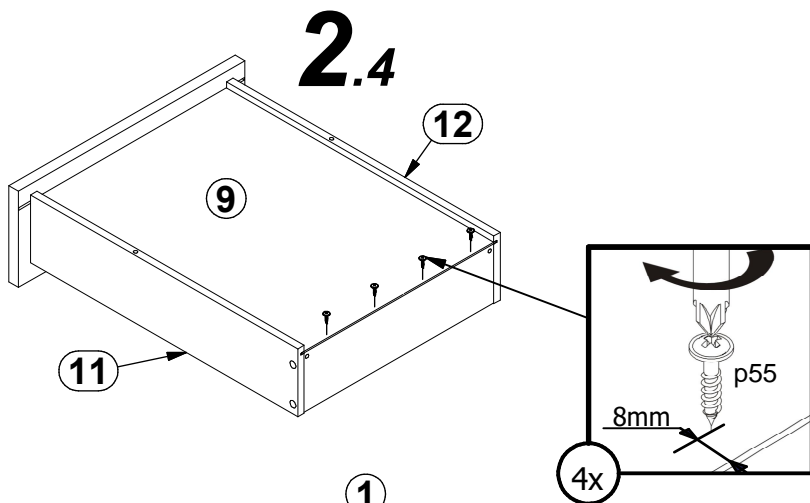
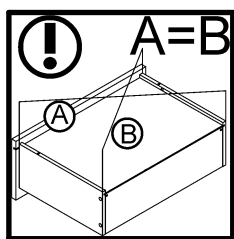
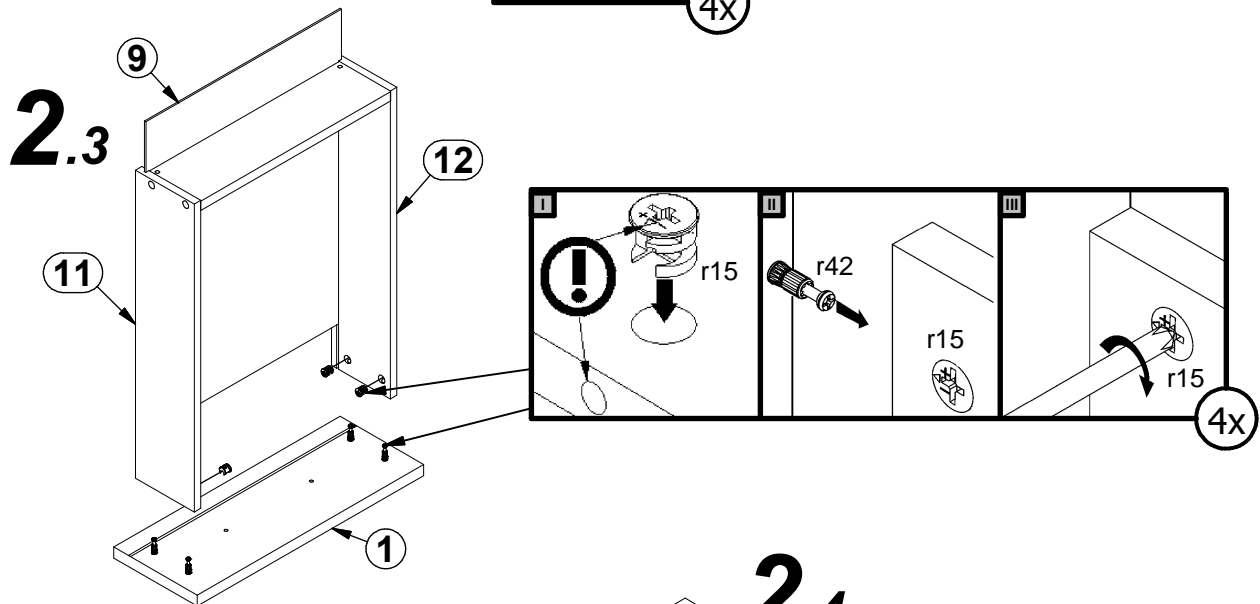
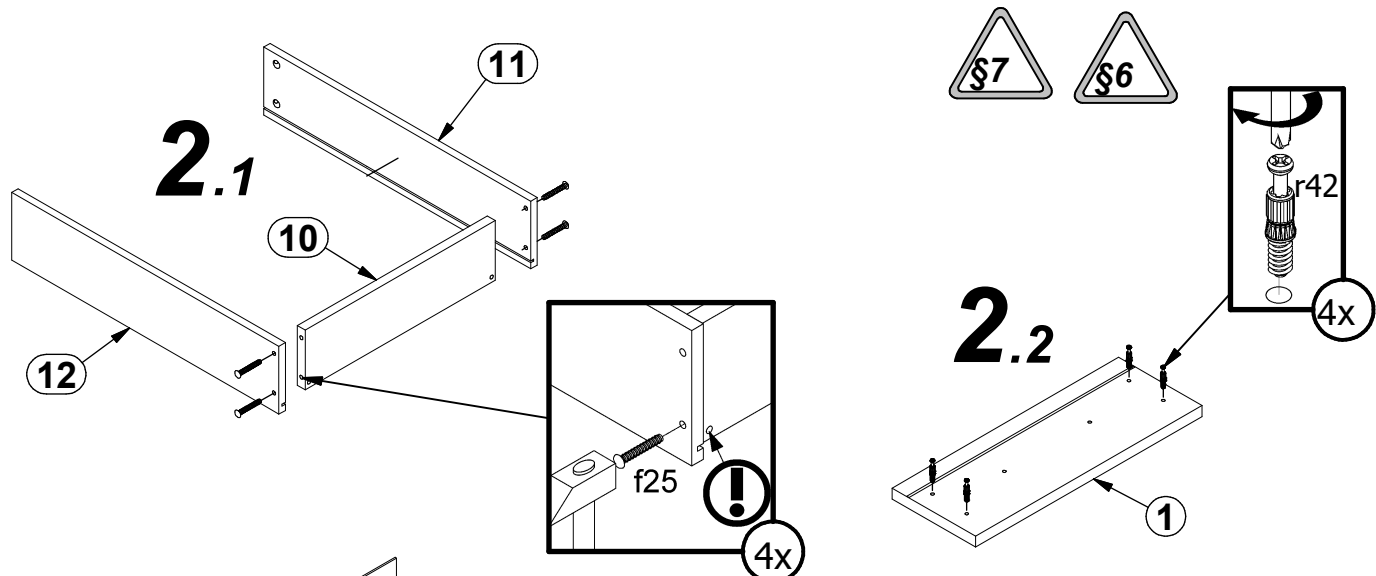
2x a83	2x b42	3x c193 160 mm	4x d1 Ø5x17 mm	8x e3 Ø6x13 mm
6x e8 Ø7x60 mm	18x f1 Ø8x30 mm	8x f25 Ø6.5x40 mm	4x k13	12x r1 Ø15x12 mm #16
6x p9 Ø4x30 mm	16x p38 Ø3.5x16 mm	4x p51 Ø3.5x15 mm	12x p55 Ø2.9x16 mm	2x w186L 500 mm
1x z1	8x r15 Ø12x10.5 mm #12	20x r42 20/11	4x s2 Ø16	2x w186P 500 mm

A	B	C1	C2	C3	D
1	S536-0001	424	156	18	2/2
2	S536-0002	756	424	19	1/2
3	S536-1003	1082	730	16	2/2
4	S536-1004	1082	730	16	2/2
5	S536-2004	429	770	32	1/2
6	S536-2005	429	753	22	1/2
7	S536-3001	395	712	16	1/2
8	S536-4502	1082	396	16	2/2
9	WSP-9404	366	508	2,5	2/2
10	ZQ6-5080	356	97	15	2/2
11	ZQ6-523	500	110	12	2/2
12	ZQ6-524	500	110	12	2/2

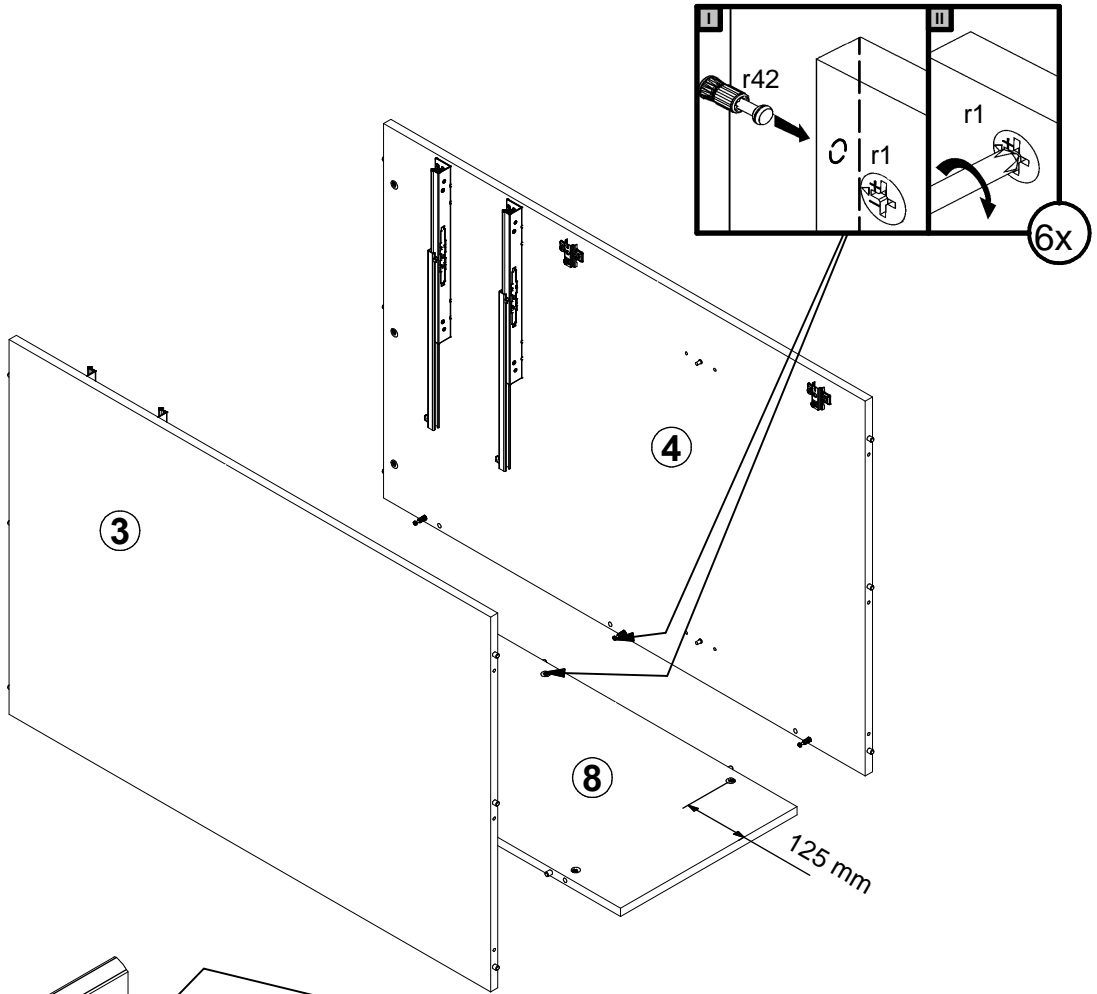




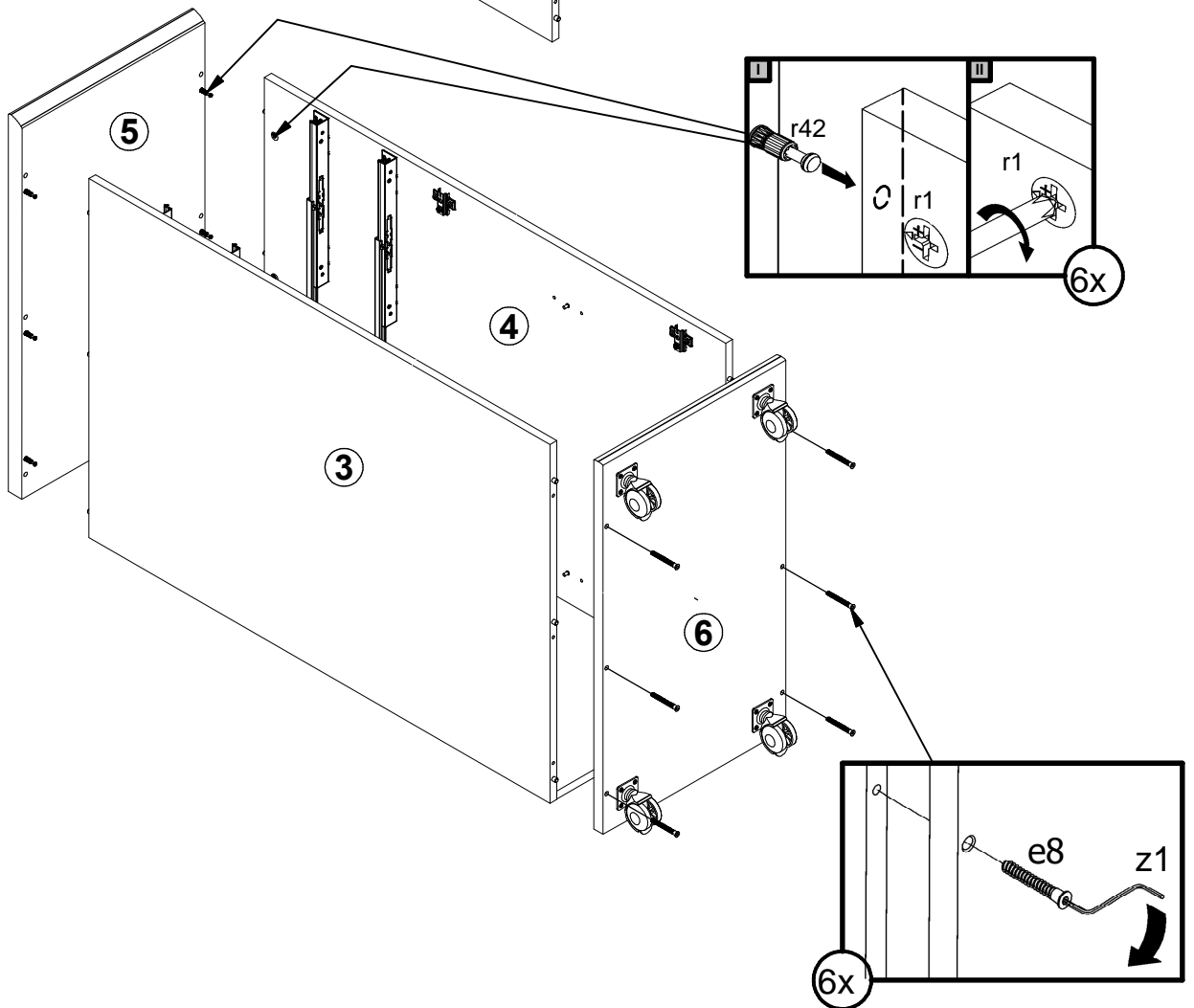




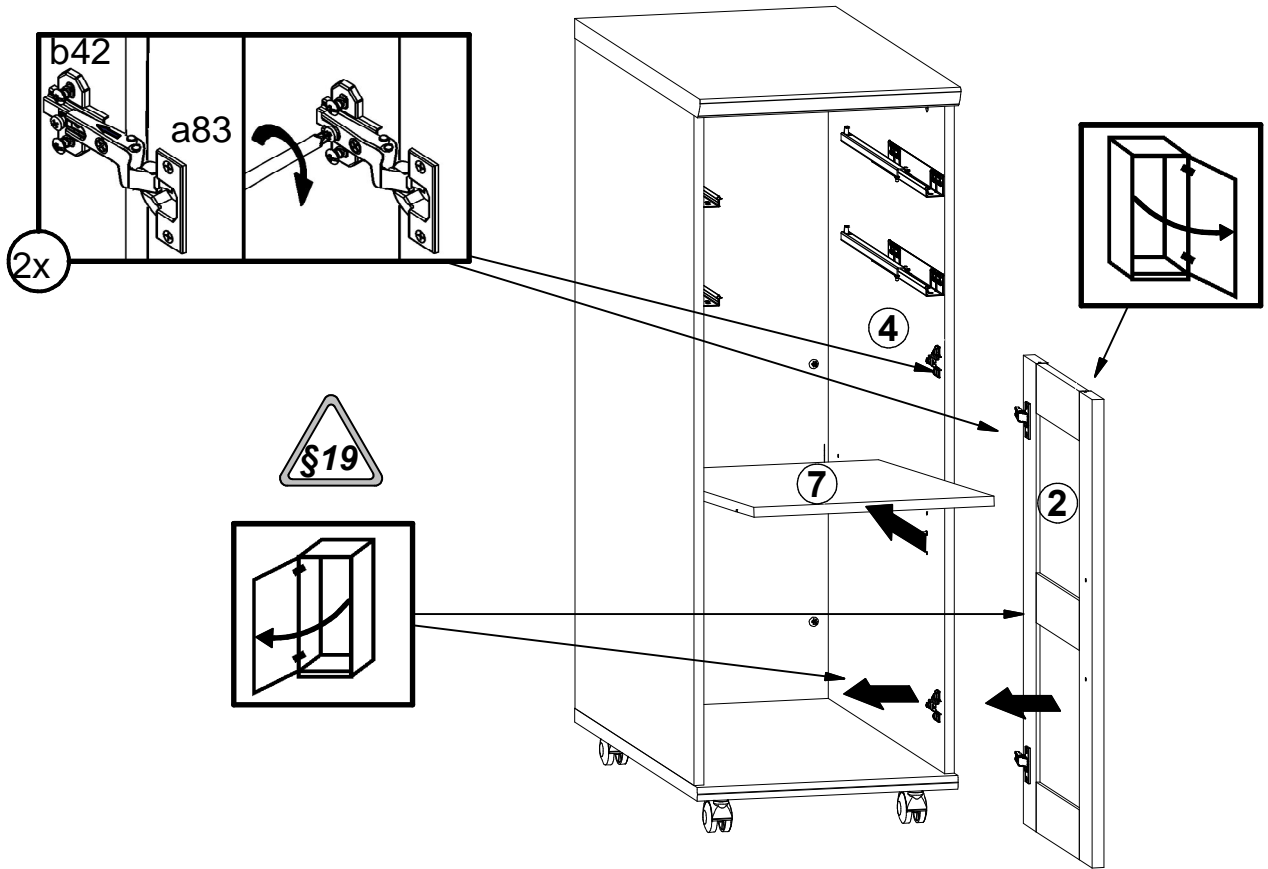
3



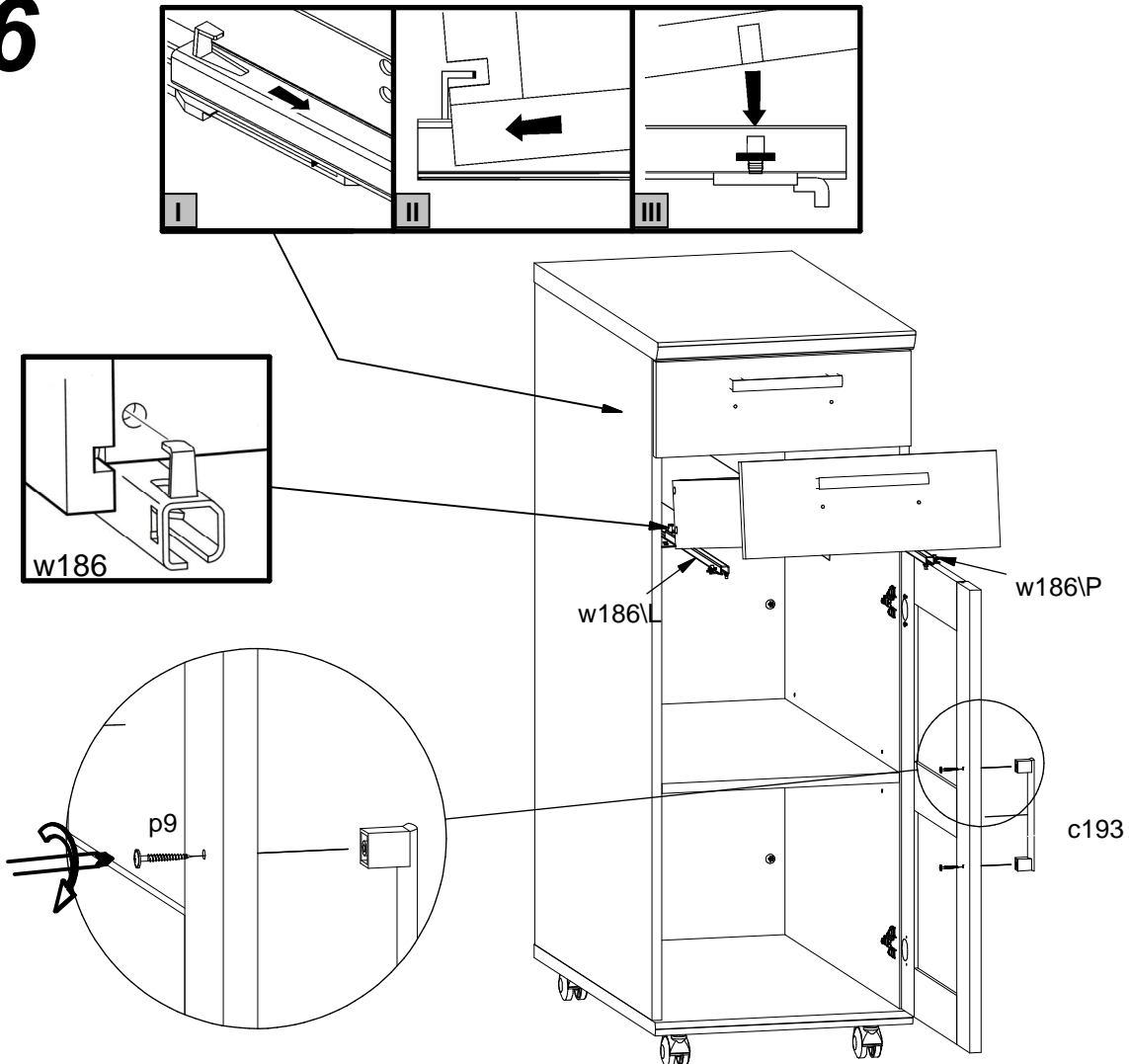
4



5



6



7

