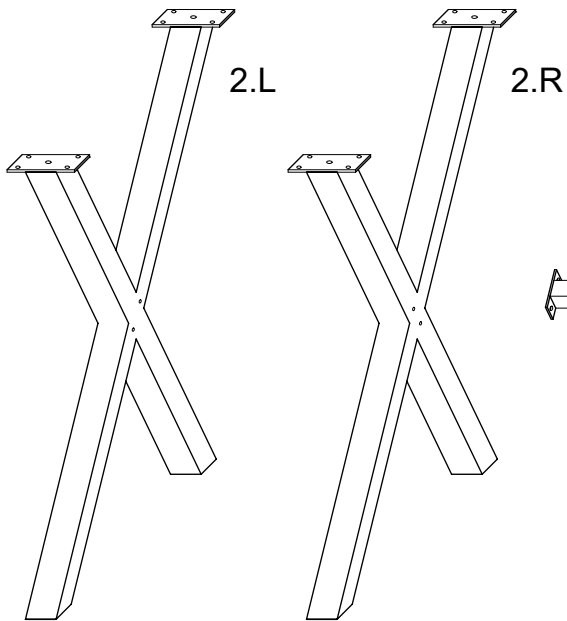
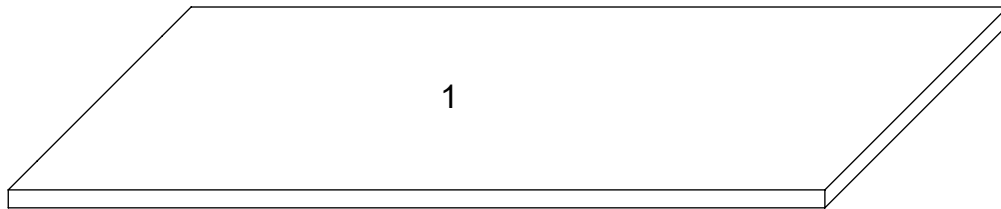
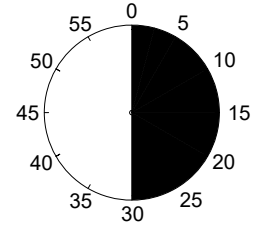
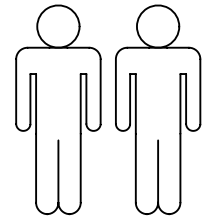
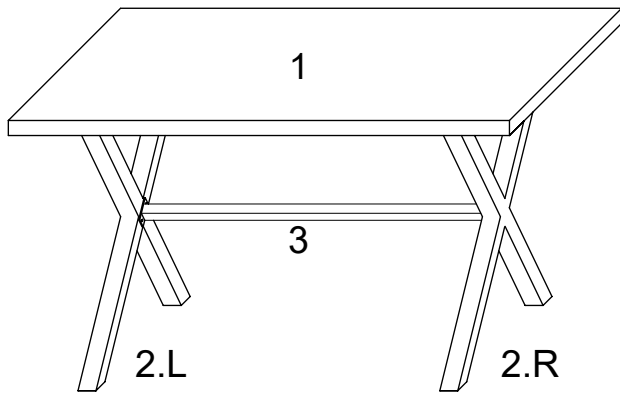
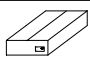
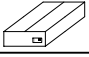
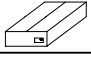
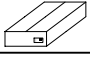





# "P296"

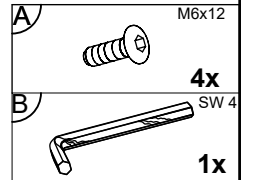
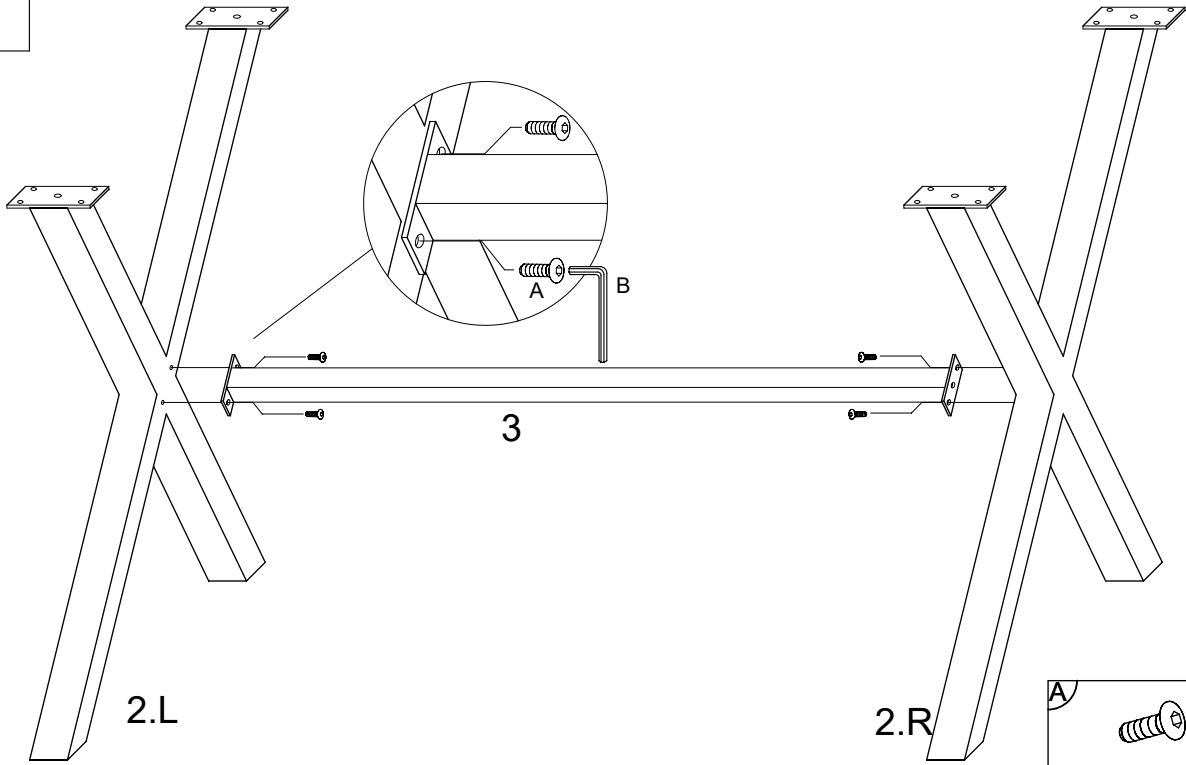


	
1	1 x 1/2
2.L	1 x 2/2
2.R	1 x 2/2
3	1 x 2/2

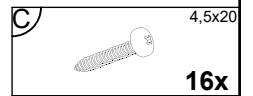
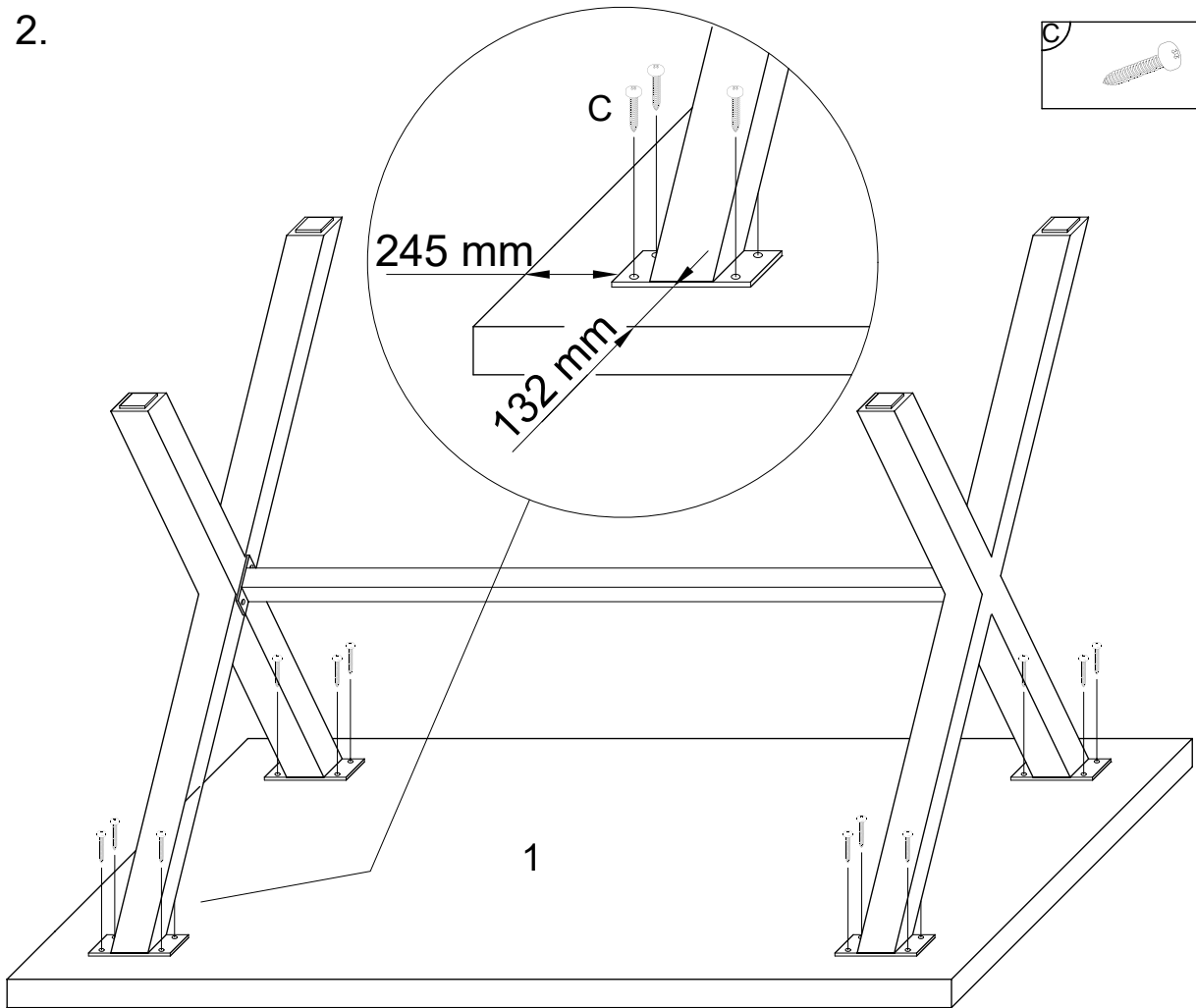
 2/2	 2/2	 1/2			
A  M6x12 4x	B  SW 4 1x	C  4,5x20 16x			

I.

1.



2.



II.

3.

