











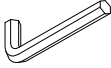
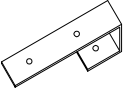
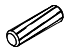



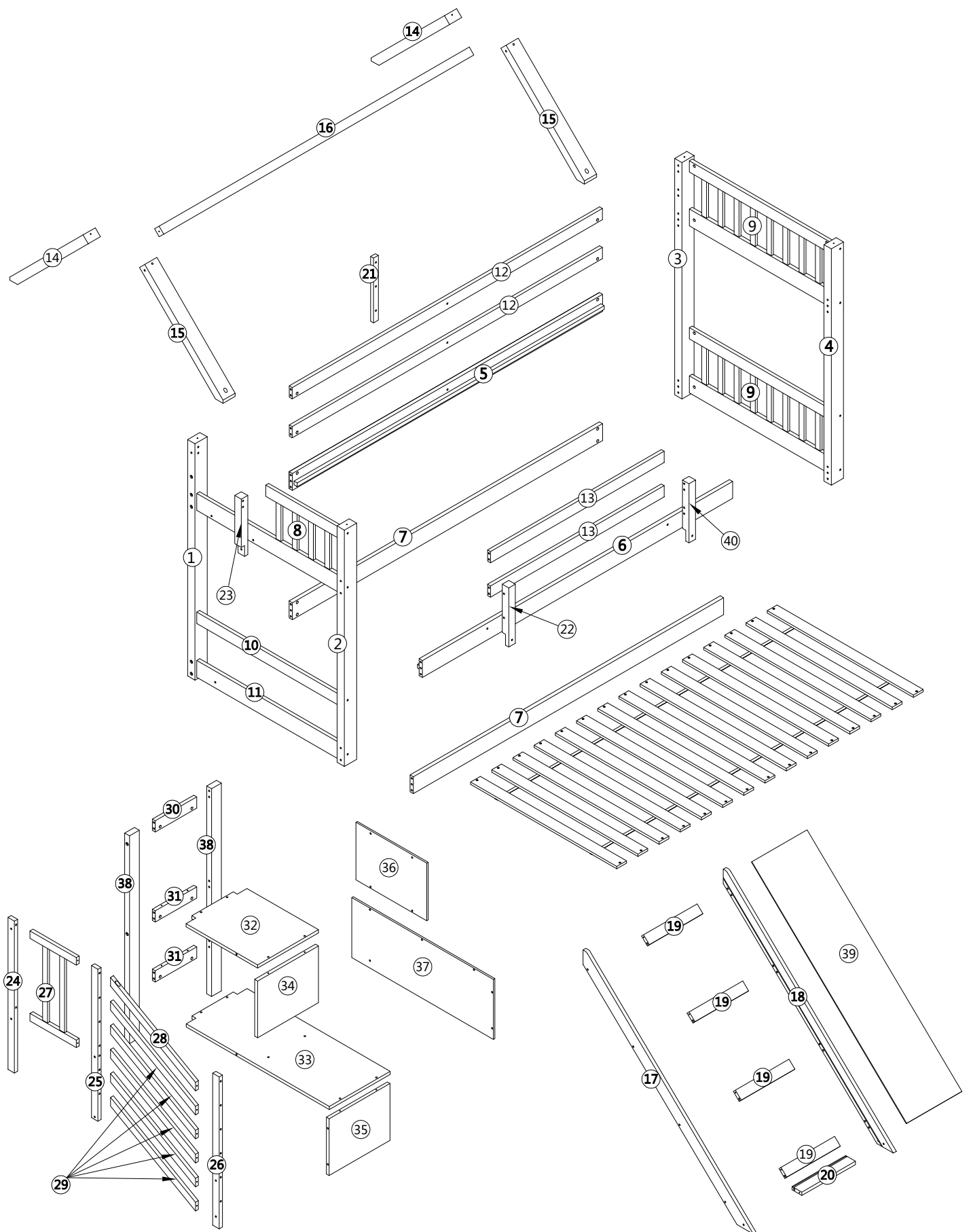


Hardware : WF302819

A		M6 x 120	22
B		M6 x 90	20
C		M6 x 80	4
D		M6 x 50	7
E		M6 x 30	6
F		Φ6 x 70	20
G		Φ6 x 50	10
H		M7 x 50	10
I			57

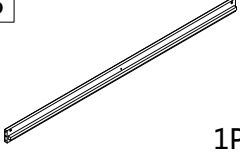
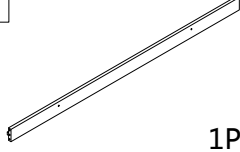
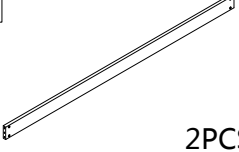
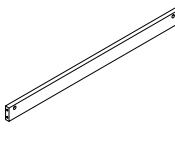
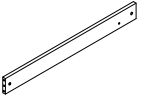
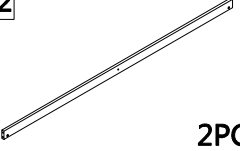
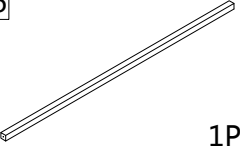
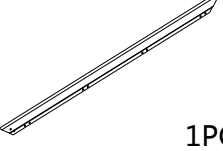
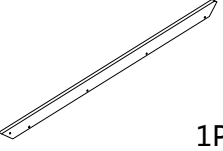
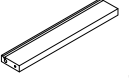
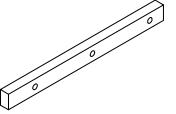
J			9
K		Φ4 x 30	30
L		Φ3.5 x 16	6
M			2
N			2
O		Φ8 x 30	56
P		Φ6 x 110	3
Q		M6 x 60	4
R		M6 x 15	3

ASSEMBLY INSTRUCTIONS

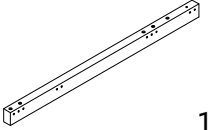
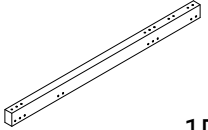
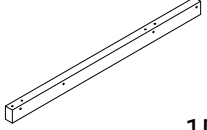
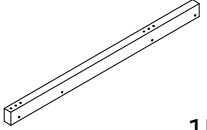
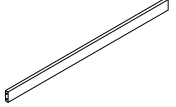
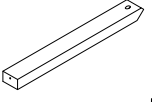
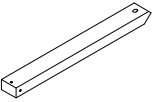
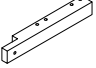
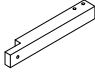
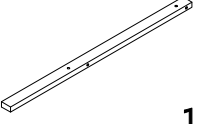
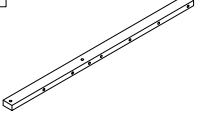
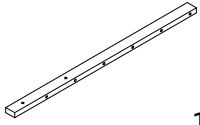
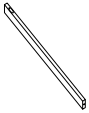
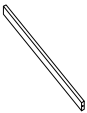
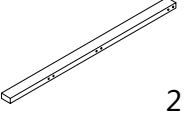
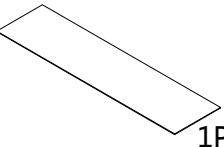


Dreifaches Etagenbett

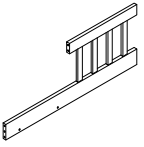
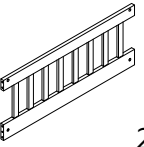
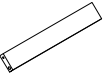
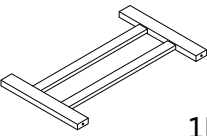
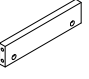
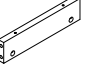
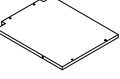
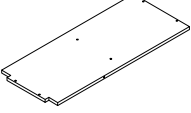
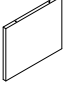
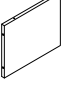
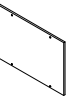
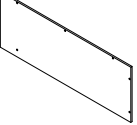
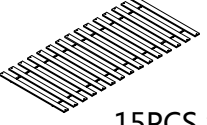
Part List : WF302818

5  1PC	6  1PC	7  2PCS	10  1PC	11  1PC
12  2PCS	16  1PC	17  1PC	18  1PC	20  1PC
21  1PC				

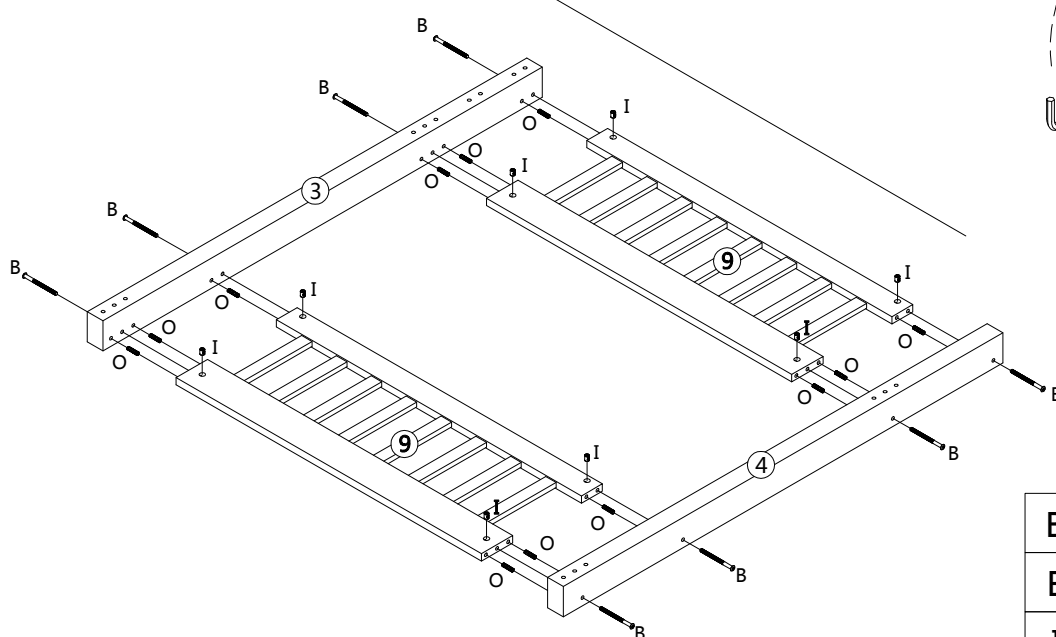
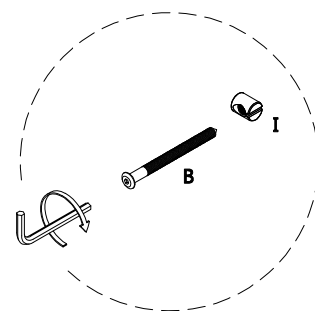
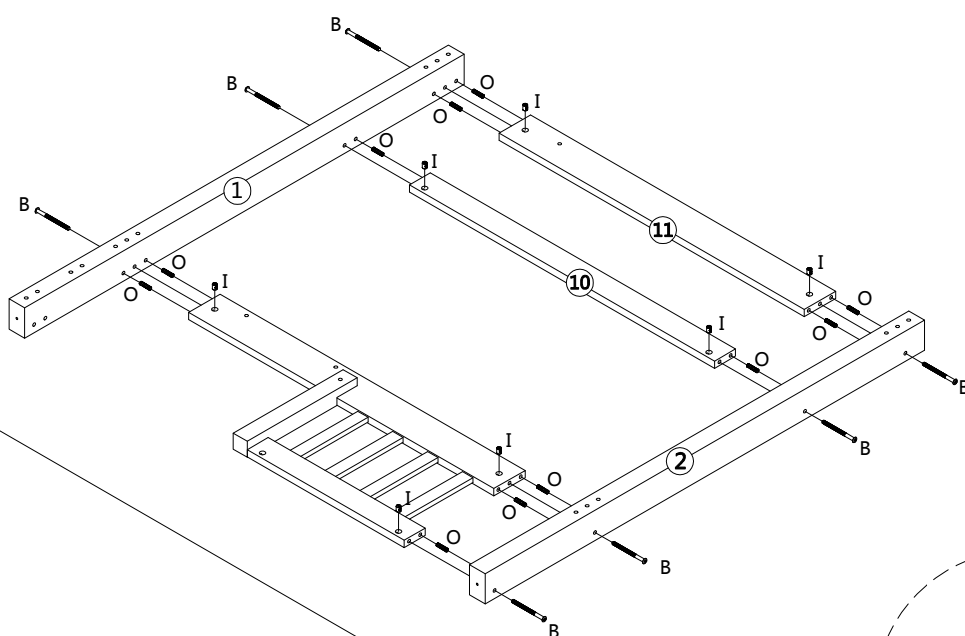
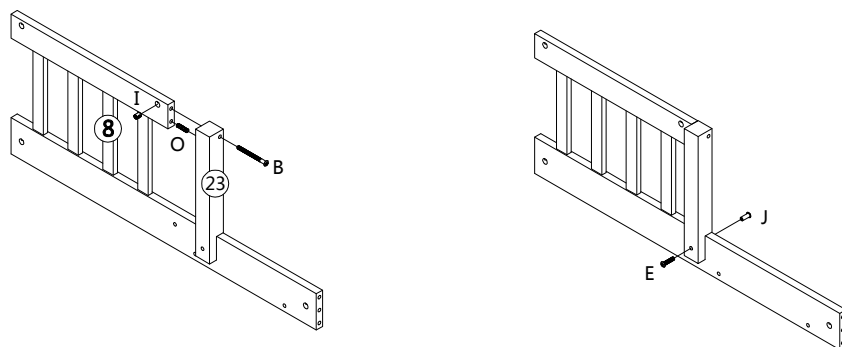
Part List : WF302819






1  1PC	2  1PC	3  1PC	4  1PC	13  2PCS
14  2PCS	15  2PCS	22  2PCS	23  1PC	24  1PC
25  1PC	26  1PC	28  1PC	29  5PCS	38  2PCS
39  1PC				

Part List : WF302820

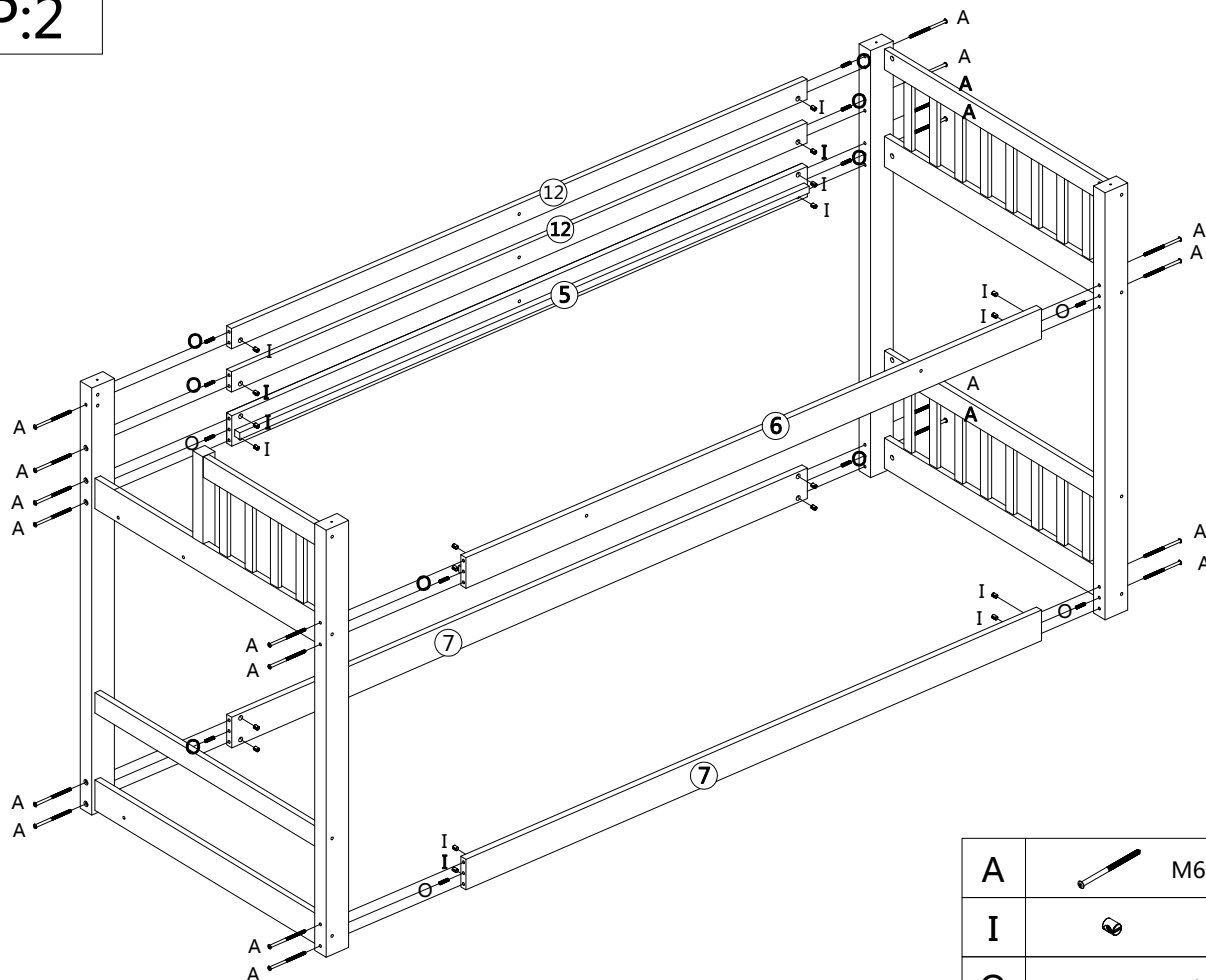
8  1PC	9  2PCS	19  4PCS	27  1PC	30  1PC
31  2PCS	32  1PC	33  1PC	34  1PC	35  1PC
36  1PC	37  1PC	 15PCS x 1		




STEP:1



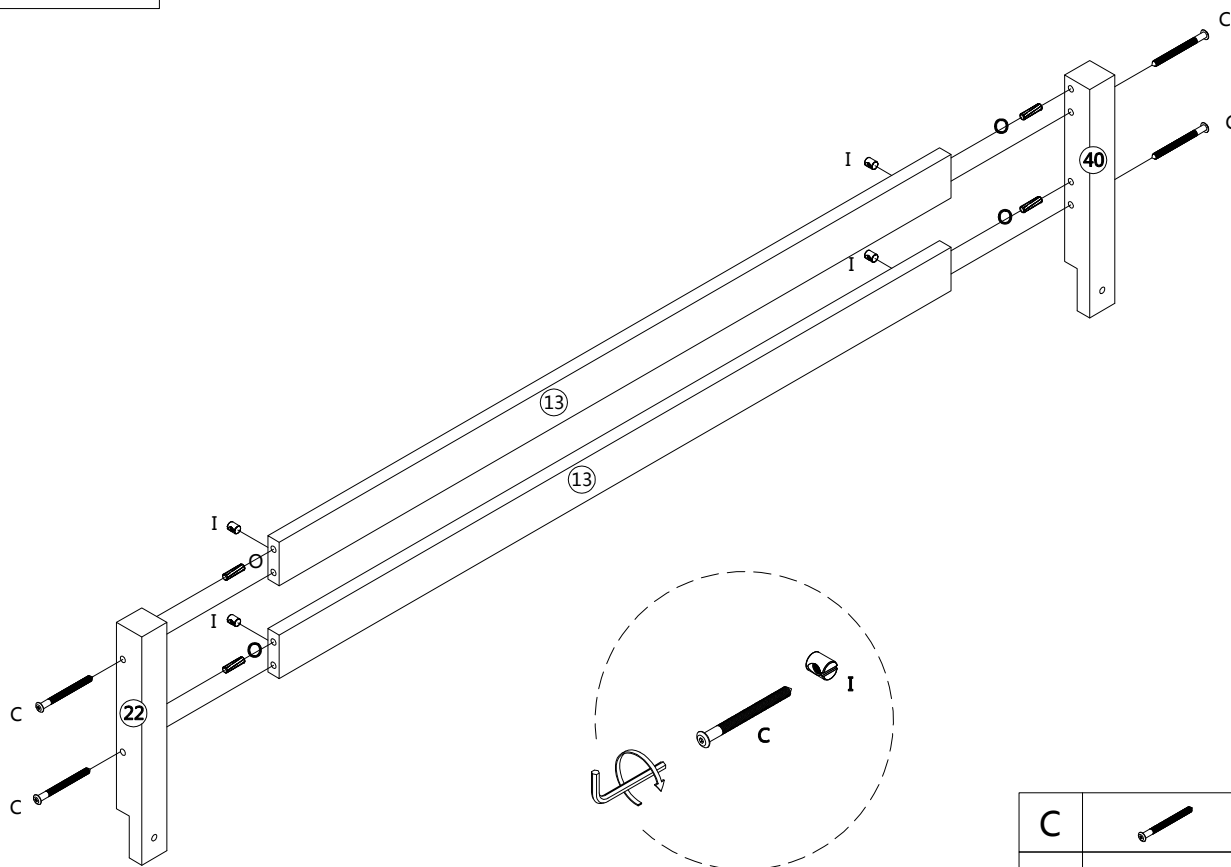
B		M6 x 90	16
E		M6 x 30	1
I			16
J			1
O		Φ8 x 30	24




STEP:2



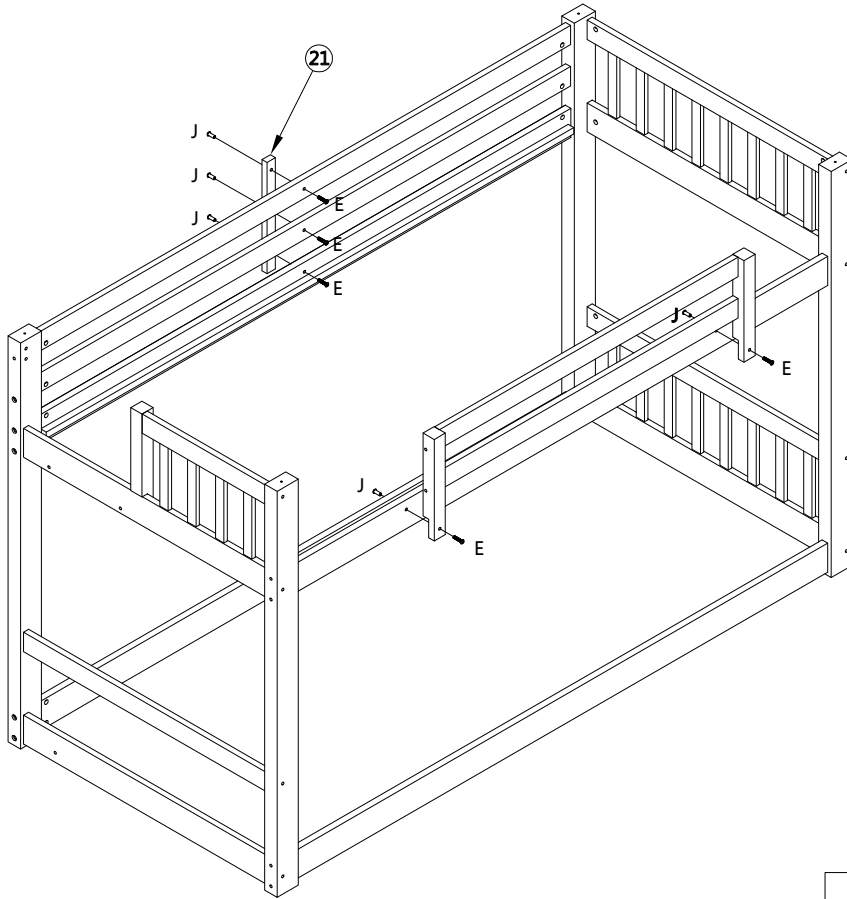
A		M6 x 120	20
I			20
O		Φ8 x 30	12



STEP:3



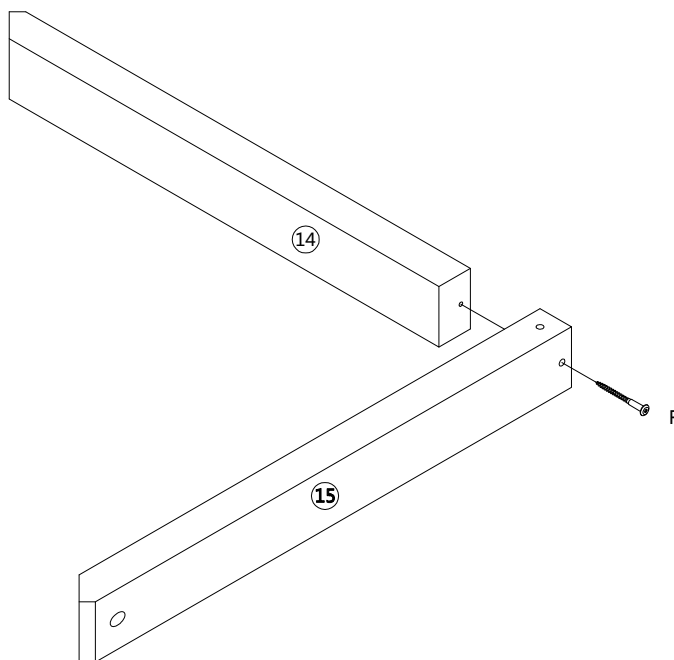
C		M6 x 80	4
I			4
O		Φ8 x 30	4

STEP:4



E		M6 x 30	5
J			5

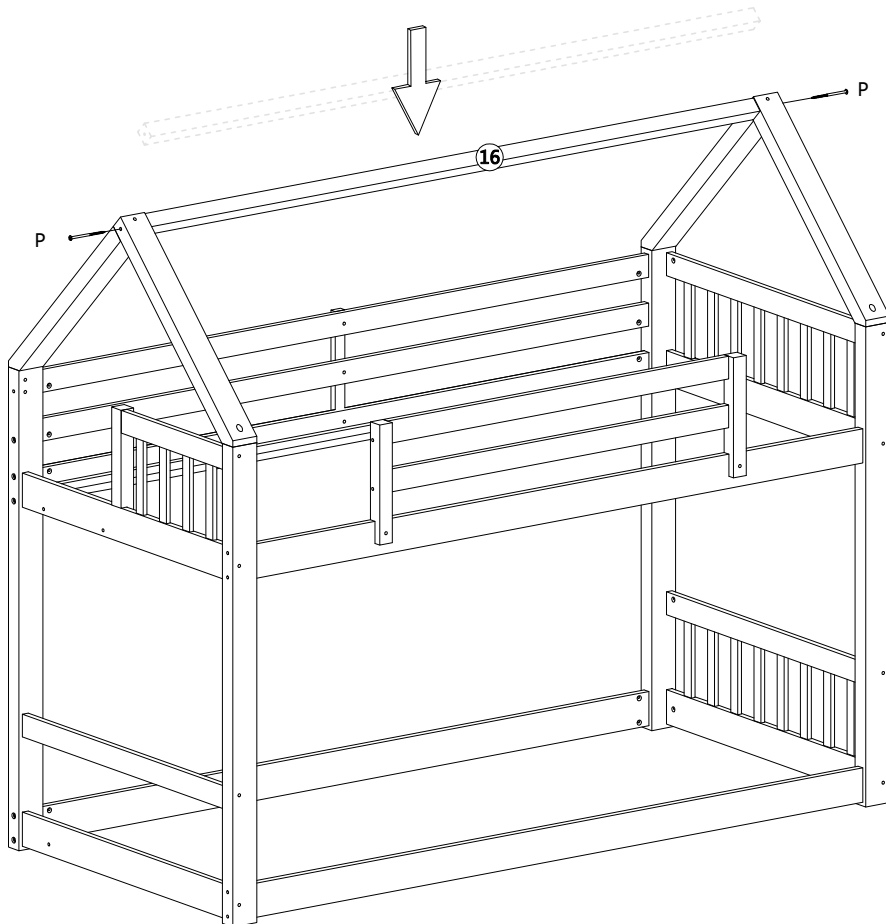
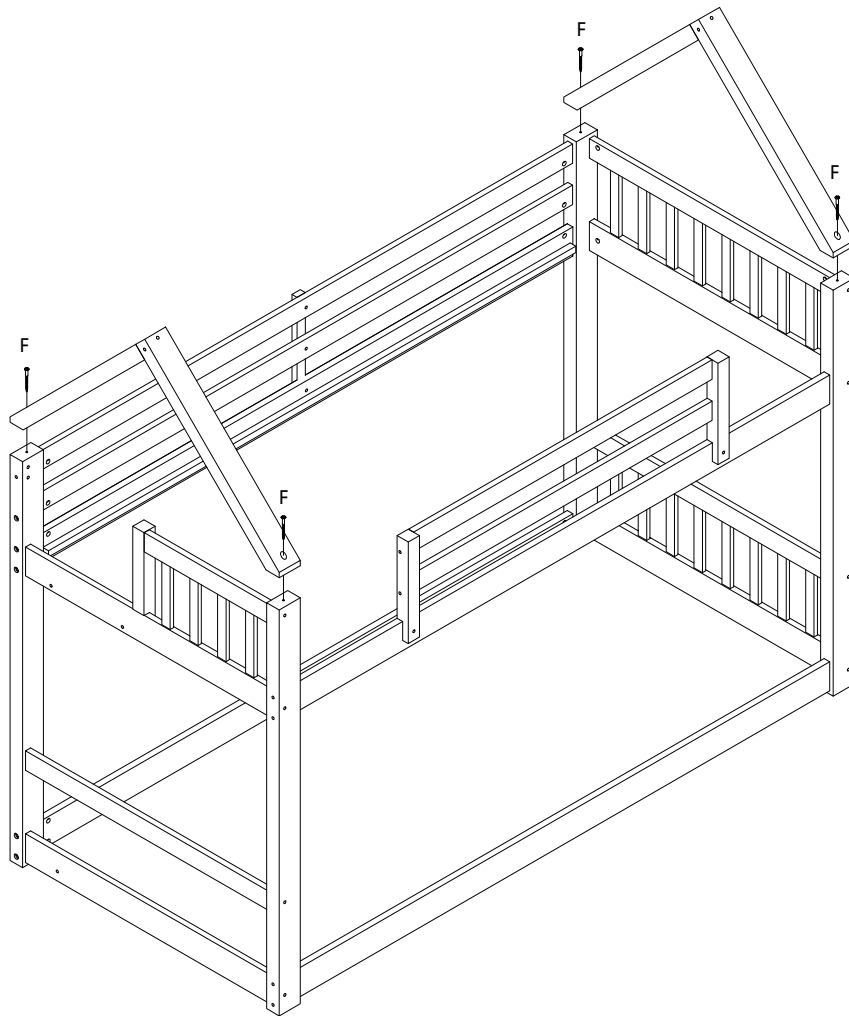
STEP:5





x 2

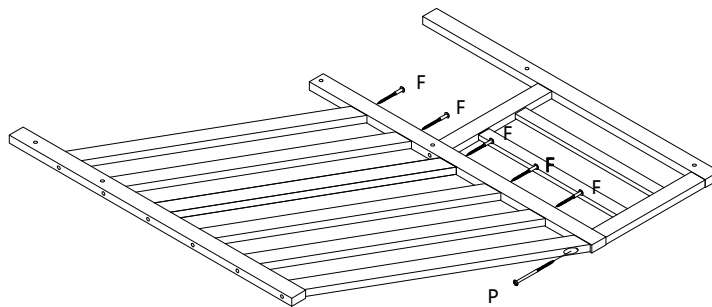
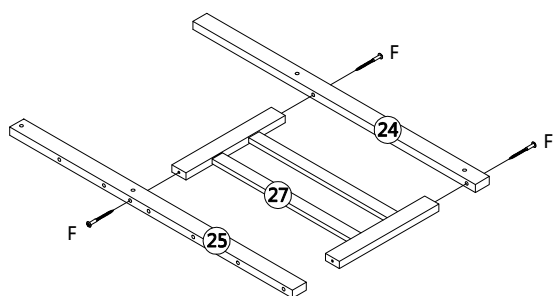
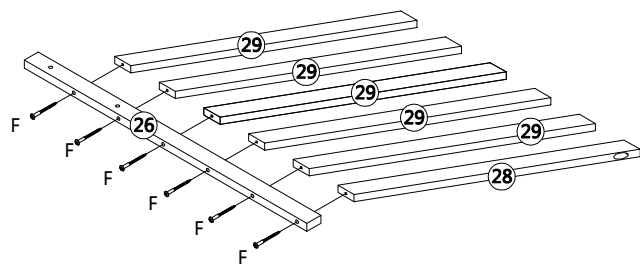
F		Φ6 x 70	2
---	---	---------	---

STEP:6



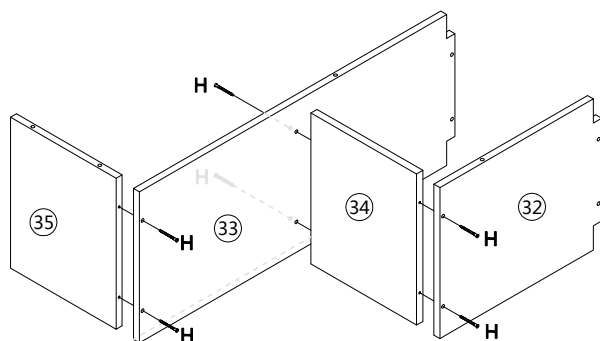
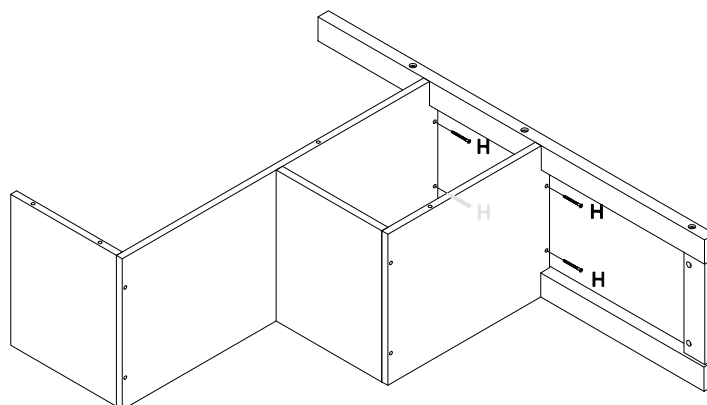
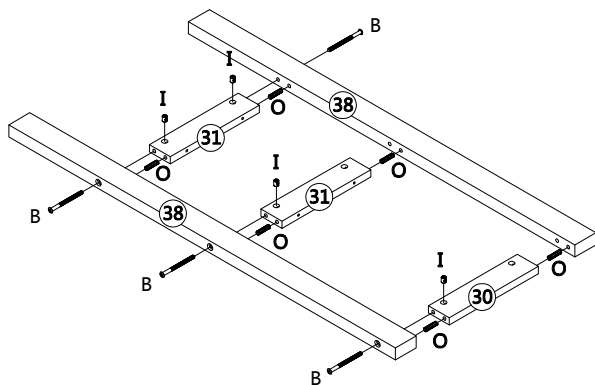
P		Φ6 x 110	2
F		Φ6 x 70	4

STEP:7



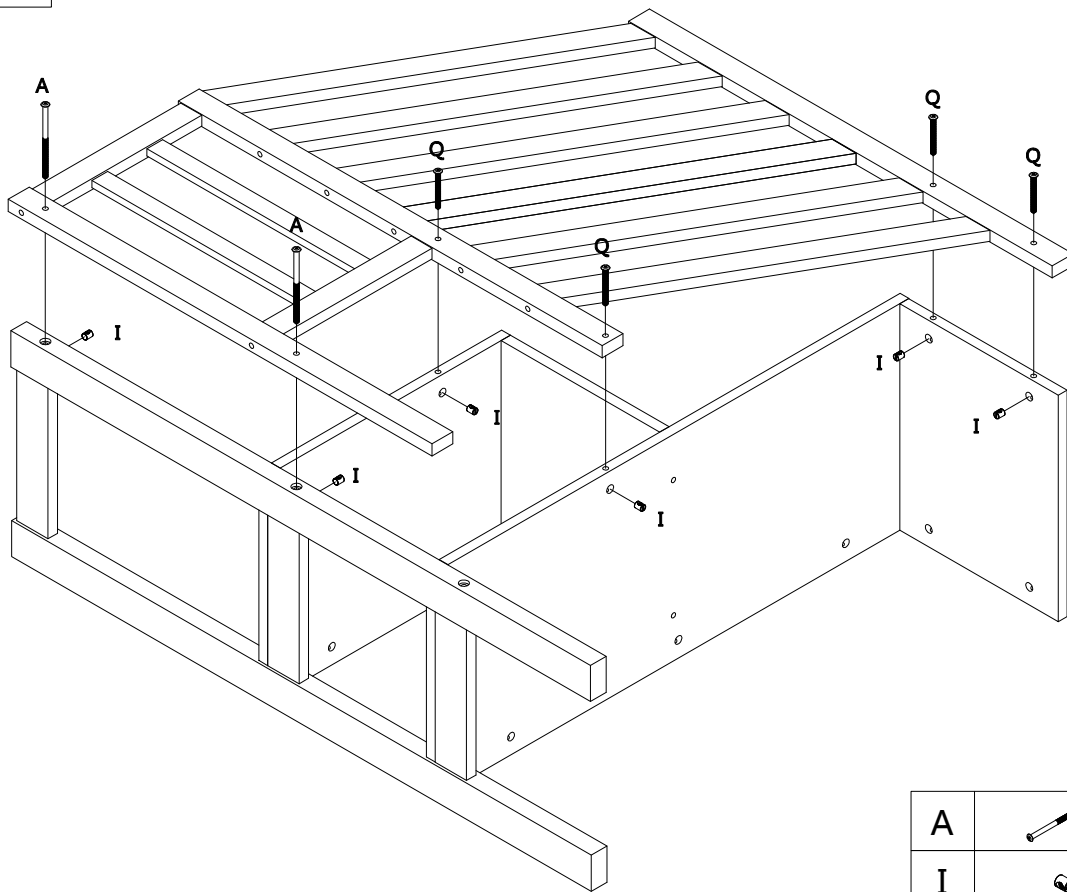
P		Φ6 x 110	1
F		Φ6 x 70	14




STEP:8



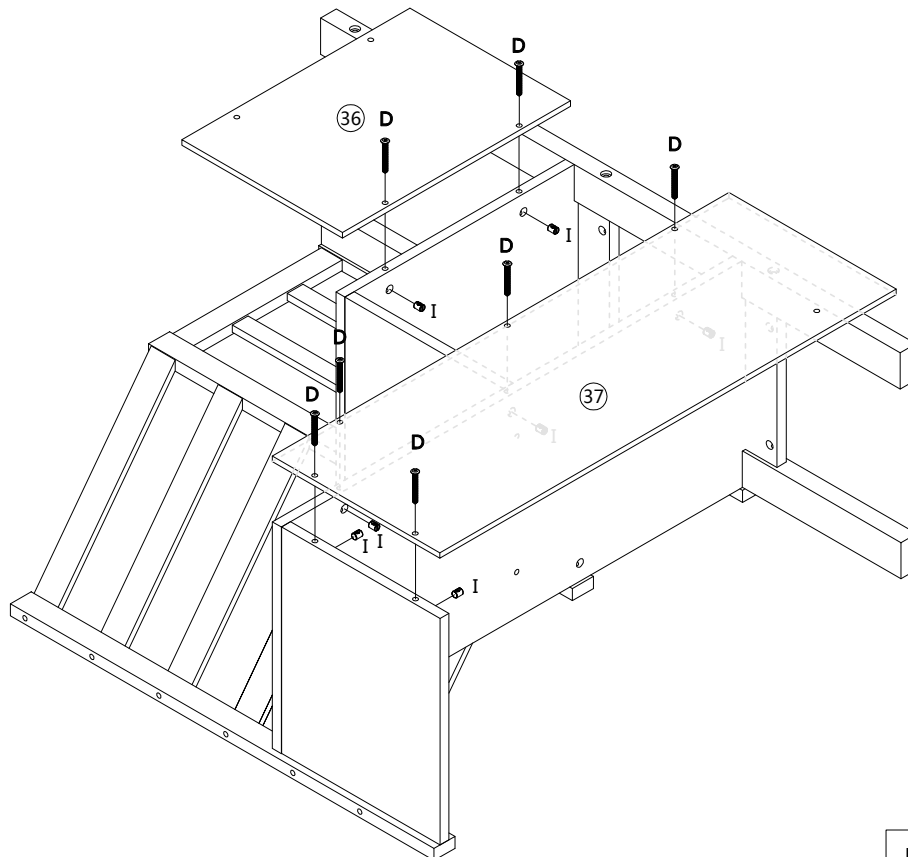
B		M6 x 90	4	I			4
H		M7 x 50	10	O		Φ8 x 30	6

STEP:9



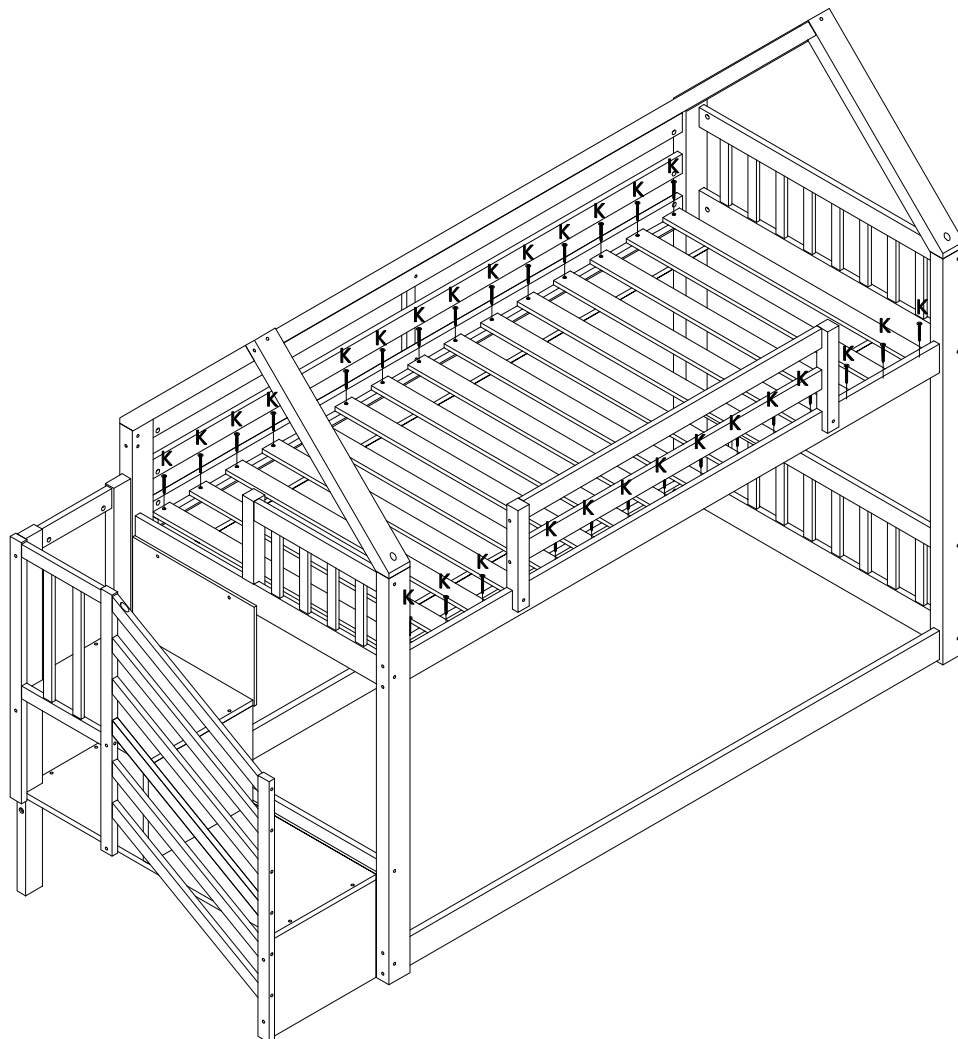
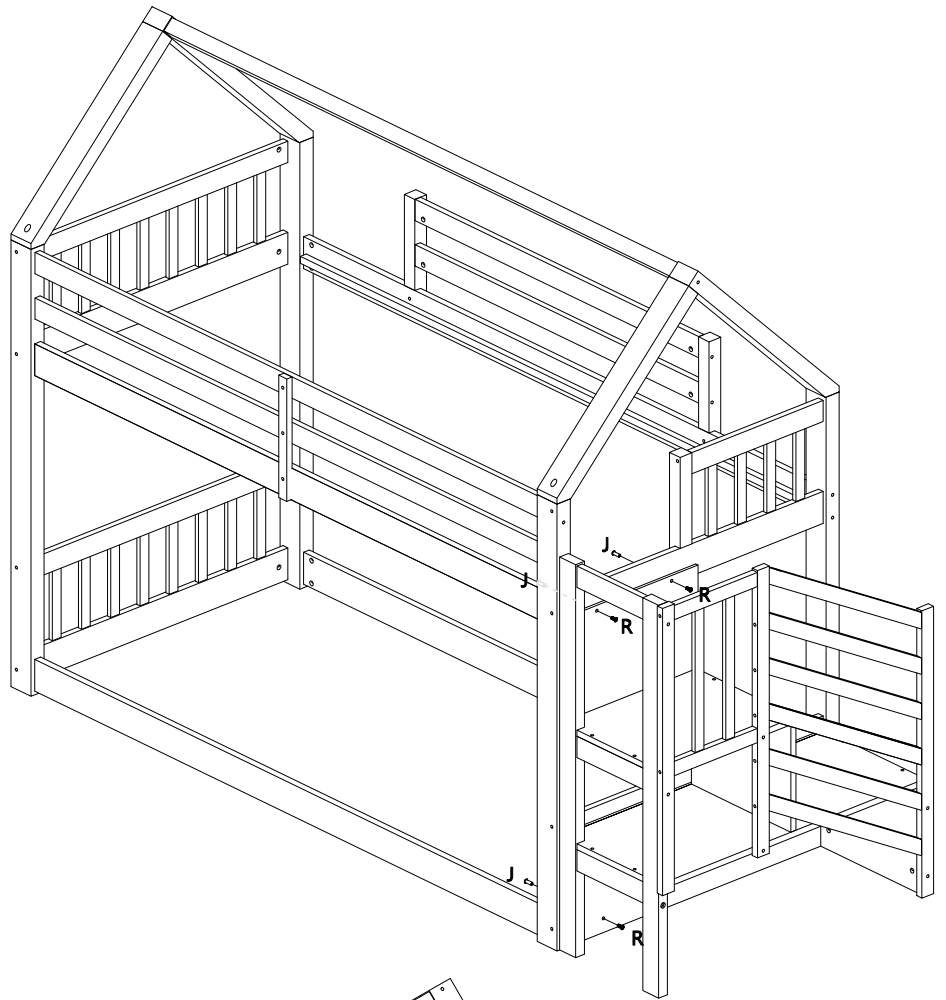
A		M6 x 120	2
I			6
Q		M6 x 60	4




STEP:10



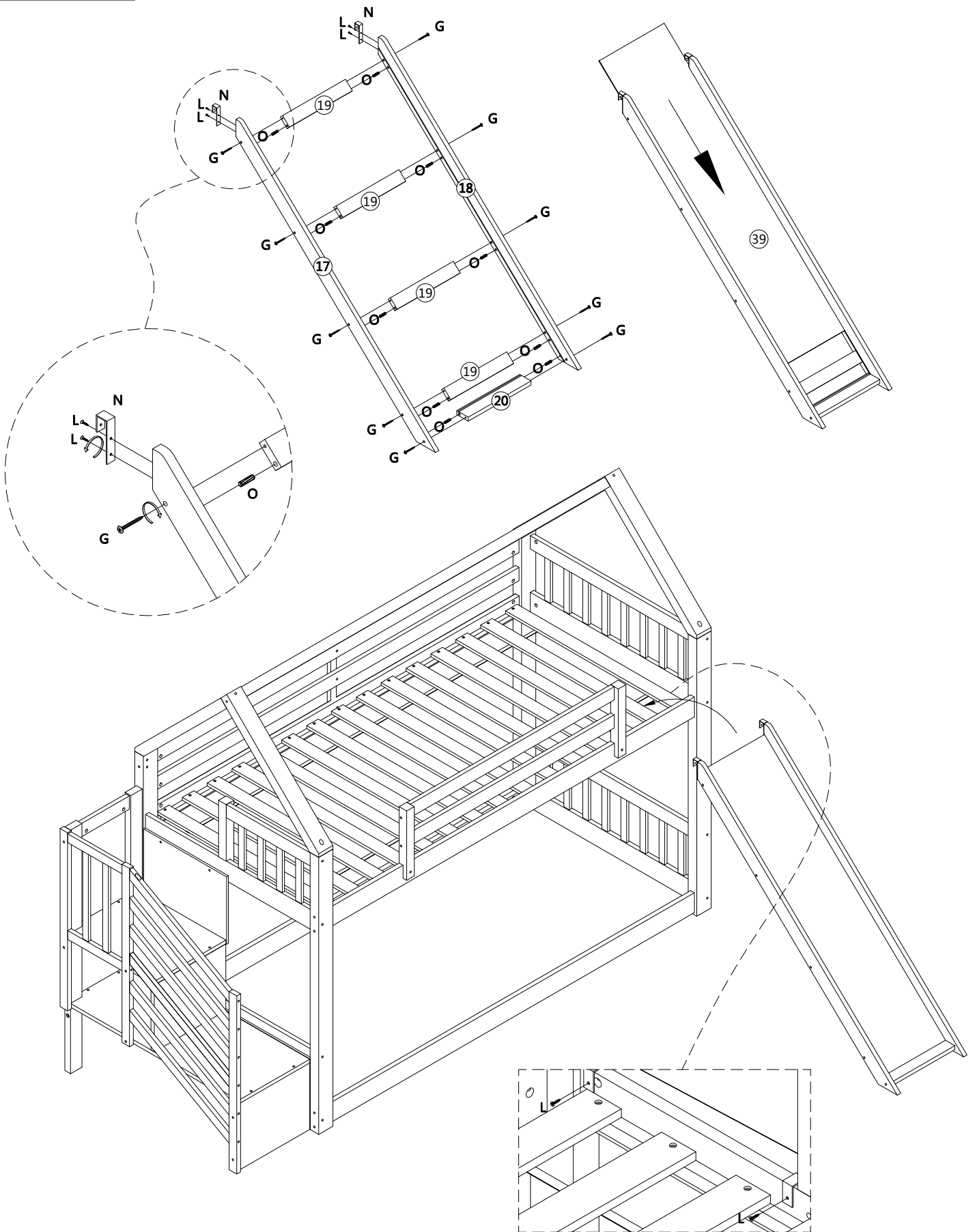
D		M6 x 50	7
I			7





STEP:11



J			3
K		Φ4 x30	30
R		M6 x 15	3

STEP:12



G		Φ6 x 50	10	N		2
L		Φ3.5 x 16	6	O		10