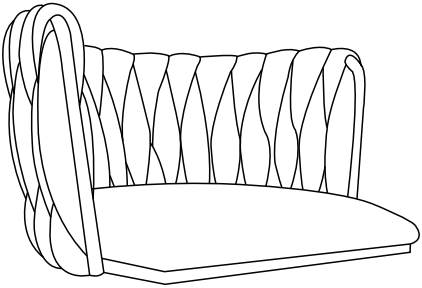

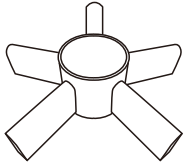
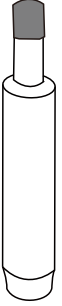
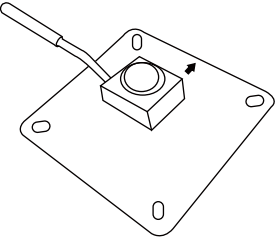
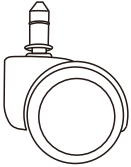
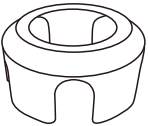
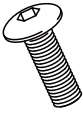

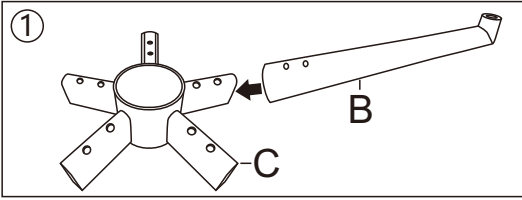
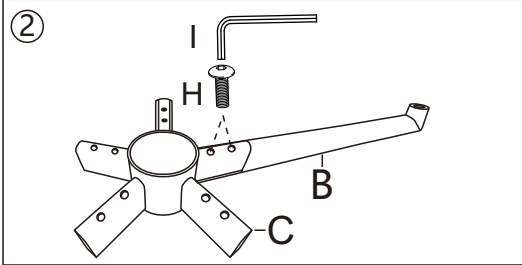


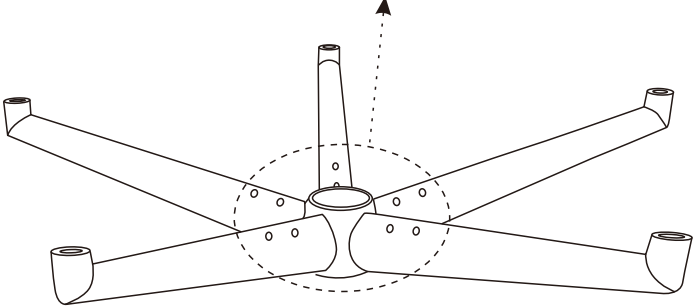
ASSEMBLY INSTRUCTIONS

Ax1 	Bx5 	Cx1 	Dx1 	
Ex1 	Fx5 	Gx1 	Hx14  M6*16MM	Ix1 

STEP 1

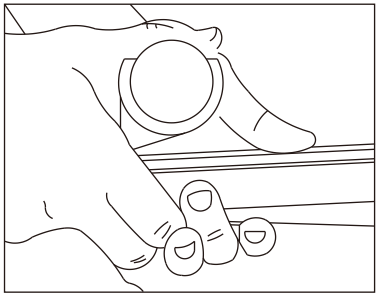
① 

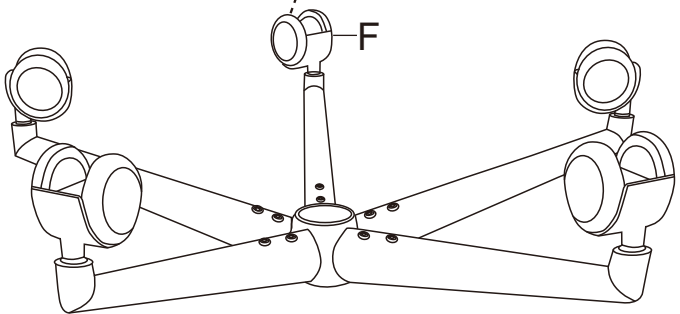
② 



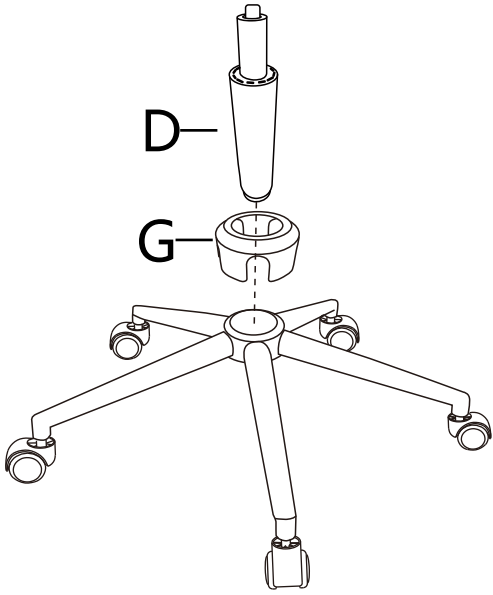
Warning!!!
PUT ALL SCREWS IN THE HOLE,
THEN TIGHTEN ONE BY ONE.

STEP 2

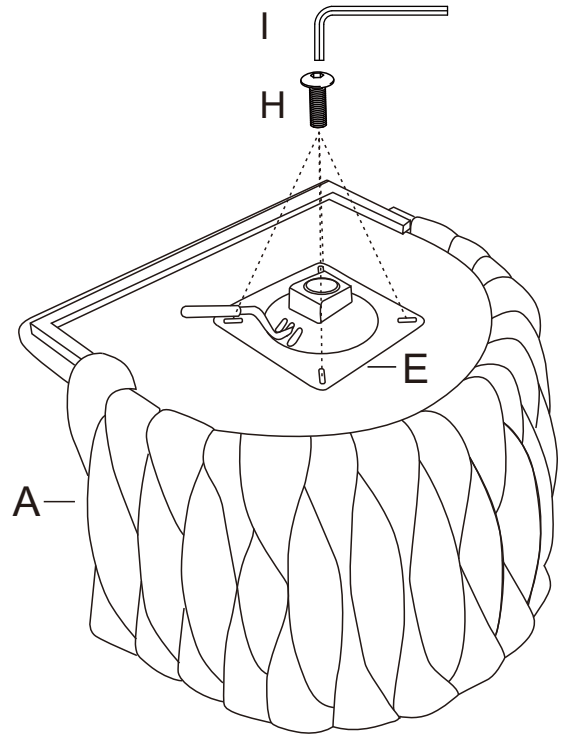




STEP 3

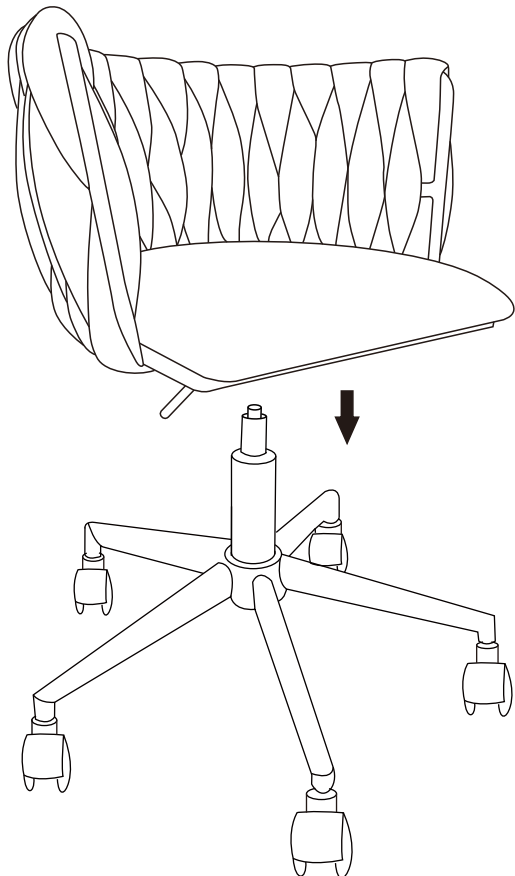


STEP 4



Warning!!!
PUT ALL SCREWS IN THE HOLE,
THEN TIGHTEN ONE BY ONE.

STEP 5



STEP 6

