



# Bedienungsanleitung

## CR-196-20



Miweba GmbH  
Gewerbepark 20  
96149 Breitengüßbach

[www.miweba.de](http://www.miweba.de)

Telefon: + 49 (0) 9544 / 987908-0  
Fax: + 49 (0) 9544 / 987908-19  
E-mail: [info@miweba.de](mailto:info@miweba.de)

# Original Manual

20 inch Gasoline Lawnmower

**Model: HG51SMH-XP200**

**Gasoline Engine: XP200, 196cc, OHV, Single Cylinder, 4 Strokes**



**CAUTION:** Before any use, please read carefully the user manual this was purposely drawn up to provide you with all the necessary information for proper use and in compliance with basic safety requirements.



**Caution:** Read carefully the manual before use.



**Caution:** Keep other people well away from the danger area.



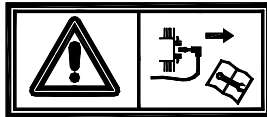
**Caution:** Risk of hand and feet injuries.



**Caution:** Emission of toxic gas, do not use the mower in a close area or not well ventilated.



**Caution:** hot surfaces.



**Caution:** Before carrying out any operation, please stop the engine and disconnect the spark plug cap.



**Caution:** Never fill up the fuel tank while the engine is running.

**IMPORTANT:** Read with care the security requirements included in the engine manual before the first use of the engine.

## SUMMARY

- 1/ DESCRIPTION
- 2/ ASSEMBLY OF GRASS BAG
- 3/ HANDLE ASSEMBLY
- 4/ CUTTING HEIGHT ADJUSTMENT
- 5/ SAFETY PRECAUTIONS
- 6/ OPERATION
- 7/ GEARBOX
- 8/ SAFETY RULES
- 9/ MAINTENANCE
- 10/ GUARANTEE

**1-DESCRIPTION**

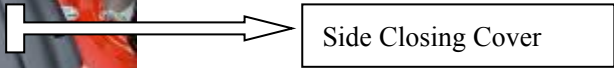
- 1 Engine control bar
- 2 Driving control bar
- 3 Upper handle
- 4 Lower handle
- 5 Engine
- 6 Grass catcher
- 7 Steel deck



**Fig A**

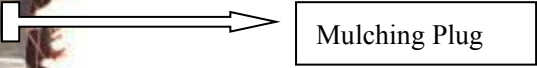


Side-discharge Grass-guiding plug



Side Closing Cover

**Fig B**



Mulching Plug

## 4 IN 1 FUNCTION

### Rear discharge with grass collection:

Take out the Mulching Plug (Fig B), Side-Closing Cover(Fig A), assembling the grass catcher.



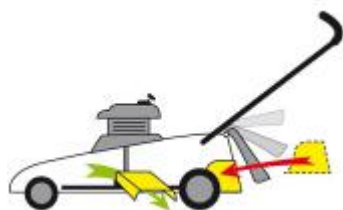
### Rear discharge without grass collection:

Take out the Mulching Plug (Fig B) and close the Side-Closing Cover(Fig A).



### Side discharge:

Insert the Mulching Plug (Fig B) and Side-discharge Grass-guiding plug (Fig A)



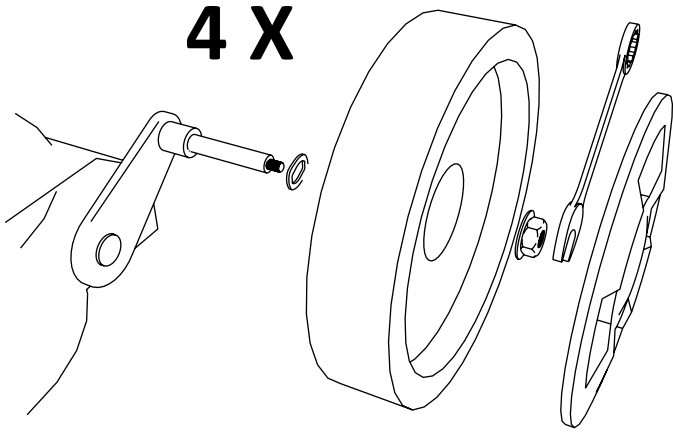
### Mulching:

Close the Side-Closing Cover(Fig A) and insert the Mulcher Guard (Fig B)



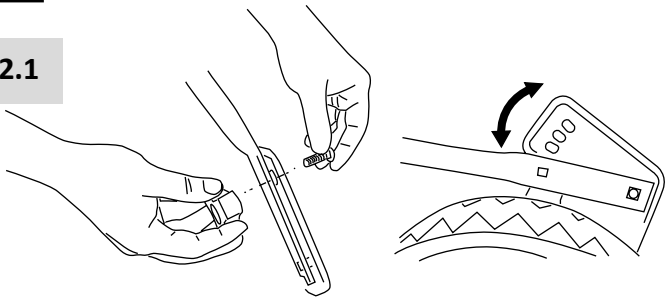
# 1 Rad zusammenbauen

4 X



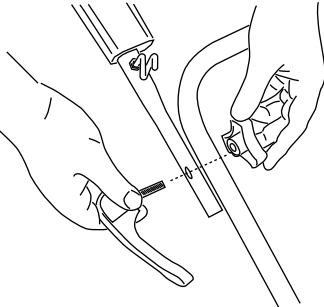
# 2 Installation der unteren Armlehne

2.1



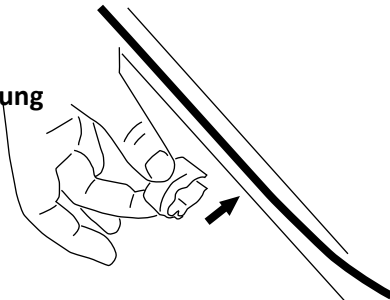
2.2

Fixierung der oberen Armlehne und der unteren Armlehne



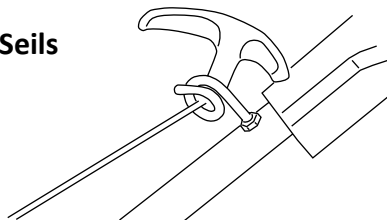
2.3

Fixierung der Verkabelung

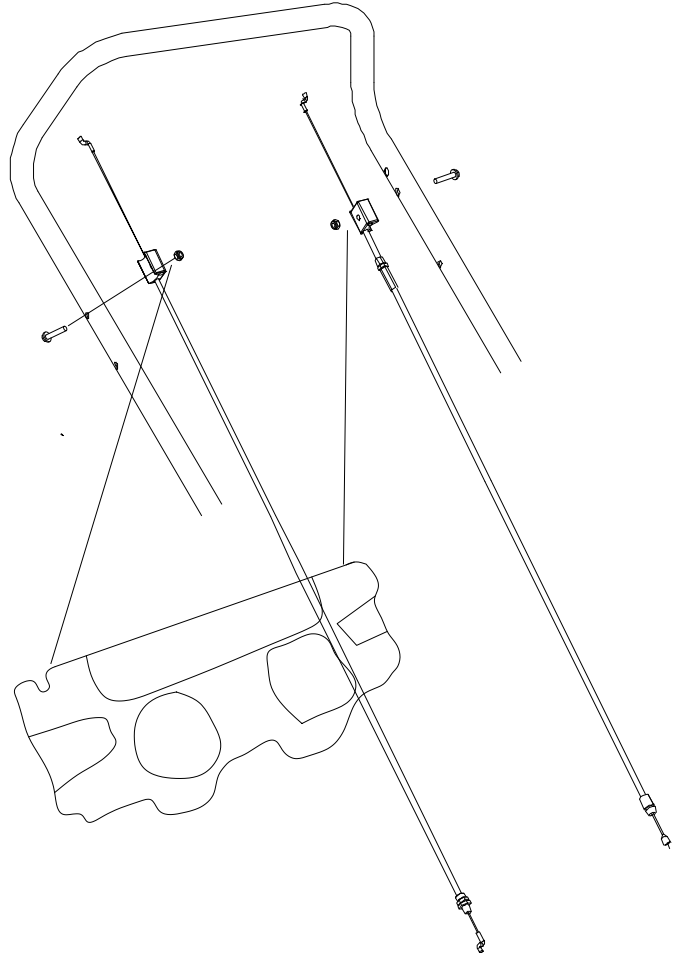


2.4

Einfädeln des Seils

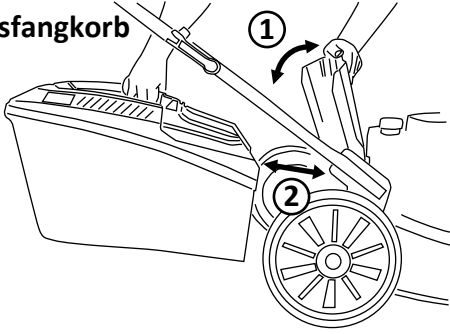


# 3 Installation der Handlaufverkleidung

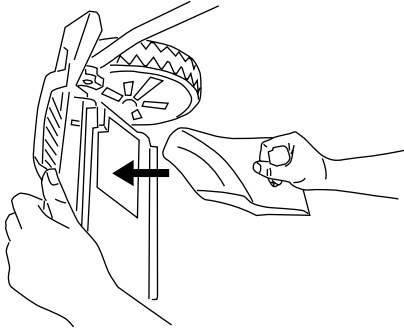


# 4 Montagezubehör

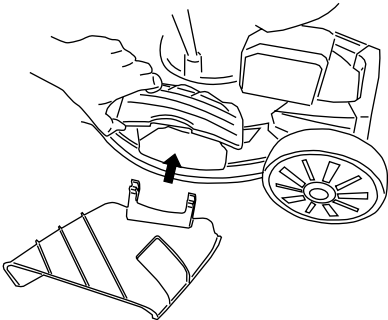
## A Grassfangkorb



## B Mulcheinsatz



## C Seitenauswurf



### 3-ASSEMBLY OF GRASS BAG

- a) Take the grass catcher as Fig C
- b) Pull up the deflector and place the grass catcher at its place. Fig D



Fig C

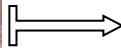
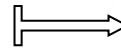
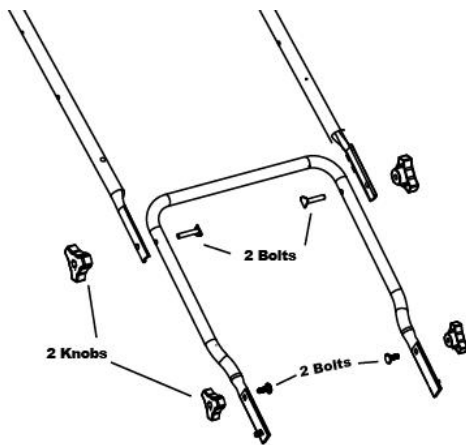


Fig D



### 4- HANDLE ASSEMBLY



### 5-CUTTING HEIGHT AJUSTMENT

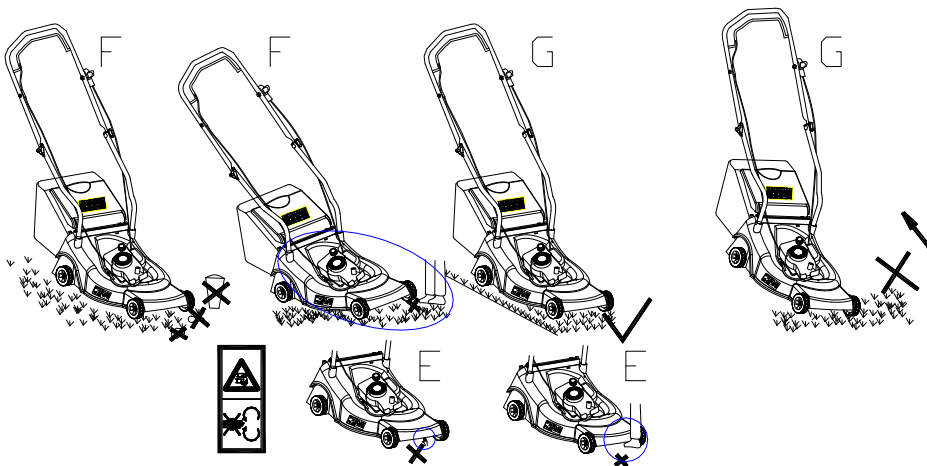
One central height adjustment.





## 6-SAFETY PRECAUTIONS

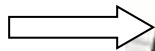
- Always use the lawnmower with the grass catcher or/ and the deflector in position.
- Stop the engine before emptying the grass catcher or before you change the cutting height.
- While the engine is running, never introduce your hands or feet under the lawnmower or under the grass ejection area. fig E
- Before mowing, remove all foreign objects from the lawn, which maybe thrown by the machine. fig F
- Keep children and other people and domestic animals at a safe distance when the lawnmower is in use.
- Never lift the mower while starting the engine. fig G



## 7-OPERATION

Before using the machine you must read the Engine instruction book.

Oil: 550ml



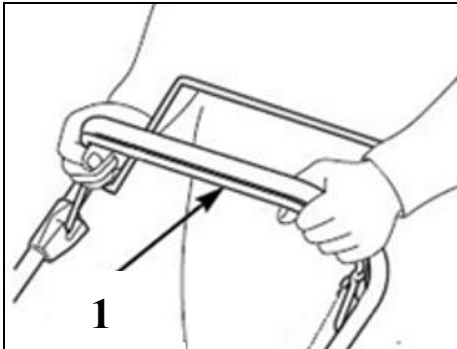
Gasoline Tank Capacity:  
900ml



**Engine delivered without oil: add 0.55 liter of oil before use.**

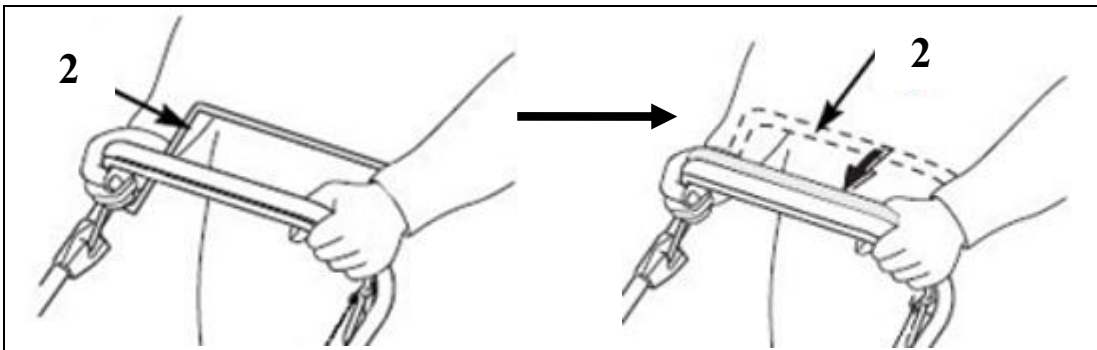
**Attention: Every 20 hours replace the engine oil.**

Blade is in action as soon as engine started. While the machine is working maintain the security handle in working position. The engine will stop as soon as you release the engine control bar.



#### FOR THE SELF PROPELLED

To engage the self-propelled system, keep the engine started, then pull on the lower lever of the handle and maintain it engaged together with the brake lever.



#### 8-GEAR BOX

Control frequently the self-propelled system. Polish the gear in the wheels and put grease on them. Do the same control on the ball bearing if any.

#### 9-SAFETY RULES

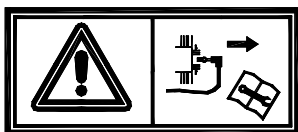
##### General conditions of use.

1. This machine is to be used exclusively for cutting natural grass. Never use the mower for other purposes. Any other utilization can involve danger for your safety and can involve damage to the mower.
2. Persons under 16 years of age and persons who are not familiar with the user instructions must not use the mower.
3. The user is responsible of the safety of other people in the working area. Keep children and domestic animals at a safe distance while the mower is in use.
4. Before mowing, remove all foreign objects from the lawn which may be thrown by the machine, stay alert for any foreign objects which may have been missed.

## USING INSTRUCTIONS

1. Check that all nuts, bolts and screws are well tightened.
2. Before mowing place the grass catcher in its position.
3. Before mowing make sure that the blade and the blade fixing screw are securely fastened. When cutting edges require resharpening, this must be done evenly on both sides so as to prevent any imbalance. If the blade is damaged, it must be replaced.
4. When mowing always wear a long trousers and strong footwear.
5. Do not run the engine in an enclosed and/or poorly ventilated area, where gas of the engine contains carbon monoxide, which are dangerous for your health.
6. Work only when there is sufficient light.
7. Do not use the lawnmower when it is raining or when the grass is wet.
8. Particular precautions must be taken while mowing on slopes or downing stretches. Mow across the face of slopes, never down or up.
9. Turn off the engine if you must leave the lawnmower unattended, displace the lawnmower or incline it.
10. Never lift the rear of the mower while starting the engine and never place your hands and feet underneath the deck or into the rear discharge chute while the engine is running.
11. **Never change in any way the rated speed of the engine.**
12. On the self-propelled mowers, disconnect the self-propelled system before starting the engine.
13. Never lift or carry the mower while the engine is running.
14. Stop the engine and remove the spark plug cover in these cases:
  - Before any operation under the deck or the grass rear discharge chute.
  - Before any maintenance, repairing or checking operations.
  - Before carrying, lifting or removing the mower.
  - If you leave the mower unattended or changing the cutting height.
  - To remove and emptying the grass catcher.
  - After hitting a foreign object, stop the engine and check thoroughly the mower in order to see if it is damage. Bring the mower in an agreed service station to do the repairing if necessary. **WARNING: After you stopped the engine the blade is still in action during a few seconds.**
  - If the mower vibrates in an abnormal way, find the reasons why, and take your mower to an agreed service station.
  - Check regularly that bolts, nuts and screw are secularly tightening for a safe use of the mower.
15. **WARNING:GASOLINE IS HIGHLY INFLAMMABLE.**
  - Keep gasoline in a jerry can specially made for this purpose.
  - Fill up the tank with a funnel, do the operation outside. Do not smoke. Do not use mobile phone.
  - Fill up with gasoline and oil before starring the engine. Never open the cap of the fuel tank to add gasoline while the engine is running or still hot.
  - Do not start the engine if there is some gasoline spread around, take the mower away from the one where gasoline have been split and avoid any contact from a hot source as long as the split gasoline is completely eva0porated.
  - Tighten the fuel tank cap and close tightly the jerry can cap.

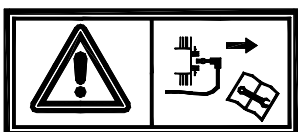
## Maintenance and Storage



**WARNING:** Stop the engine and unplug the spark plug before a repairing or maintenance operations.

- Make sure that all nuts, bolts and screws are kept well tightened to keep the lawnmower in a safe operating condition.
- Never store the lawnmower with a tank with gasoline in an enclosed area where gasoline fumes could reach a strong heat source or a flame. Allow the engine to cool down before you store your lawnmower in any storage place.
- In order to reduce any risk of fire, clean the lawnmower and in particularly the engine, the muffler, the fuel tank. Suppress all grass traces or leaves or excess of grease.
- Check frequently the condition of the deflector and the grass catcher, replace them if they are damaged.
- In case of drain oil of the tank before winter, do this operation outside.
- Wear thick gloves for the mounting and the sharpening of the blade. Be sure that the blade is always well balanced.

## 10-MAINTENANCE



**WARNING:** Stop the engine and unplug the spark plug before a repairing or maintenance operations.

Stop the engine and unplug the spark plug before any repairing or maintenance operations.

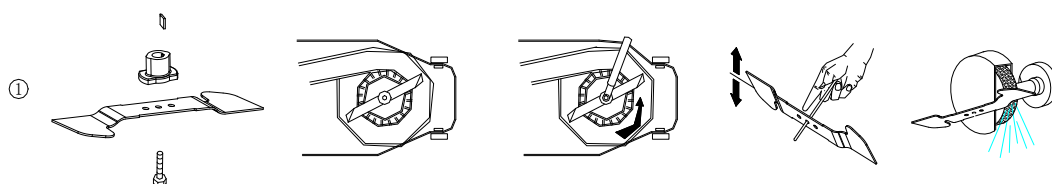
- For four strokes engine read carefully the maintenance engine manual. Check regularly the oil level and add some oil or replace it if necessary.
- Frequently check the lawnmower and ensure that all grass deposits are removed from beneath the deck.
- Lubricate regularly the wheel axle and the bearings with grease.
- Check often the blade, in order to obtain a clean work the blade should always be sharp and well balanced.
- At regular intervals check the tightening of all bolts and screws. Wear off or badly tightened nuts and bolts can involve some important damages to the engine or the frame.
- If the blade hits violently an obstacle, stop the lawnmower and bring it to an agreed service station.

**THE BLADE:** the blade is made of pressed steel, in order to obtain a clean work, sharpen the blade frequently, around every 25 hours of work. Be sure that the blade is always well balanced, introduce a small iron axle ( $\phi 2$  or  $\phi 3$  mm) in the central hole of the blade, it should stay horizontal.

If the blade does not stay horizontal balanced, please replace the blade from the manufacturer.

To remove the blade, unscrew the screw, check the blade support and change all spare parts if they are worn out or damaged.

When reassembling the blade, make sure that the cutting edges face in the direction of the engine rotation. The blade screw must be torque to 3.7 K • gm(37Nm) with a HGnamometric tool.



**ONLY USE ORIGINAL SPARE PARTS. SPARE PART OF BAD QUALITY CAN INVOLVE IMPORTANT DAMAGES TO YOUR LAWNMOWER AND BEPREJUDICIAL FOR YOUR SECURITY.**

### Technical Data:

Engine Model:	XP200
Rated Power:	4.4kW
Rated Speed:	2800/min
Displacement:	196cc
Starting:	Recoil
Fuel Tank:	900ml
Oil Capacity:	550ml
Cutting Heights:	25-75mm with 8 positions
Height Adjustment:	One central system
Cutting Width:	510mm
Grass Bag:	62L
Deck Material:	Steel
Weight:	36kgs

## **11-GUARANTEE**

### **WARRANTY CONDITIONS:**

The manufacturer warrants the product 12 months from the date of purchasing, from all fabrication faults. The lawnmowers that are used in a professional or locative way are warranted 3 months. The warranty cannot be claimed in case of normal wear.

The manufacturer will replace at his expense the spare parts, which would be classified as defective by him or an agreed station service. In any case the manufacturer will not accept the reimbursement of the machine (partially or totally) and/or damages and interest direct or indirect.

The warranty does not cover:

- An insufficient maintenance.
- An abnormal use or damage due to shocks.
- The mounting, adjustment and preparation of the machine.
- The spare parts with normal wear, security spare parts (belt, blade, blade support, bearings, cables, deflectors, spark plug, air filter etc...)
- Freight and packing cost.
- Only use spare parts coming from the manufacturer SINHARBOUR.

The manufacturer will refuse any responsibility if the machine was not used for the purpose it was made or if the operator did not use the machine as described in the operations and maintenance rules in the owner manual. Read carefully the instruction manual before any use of the lawnmower. For all spare parts order you must specify the reference of the mower, the construction year, the serial number of the mower and of the engine.



## EU-Konformitätserklärung EU-Declaration of Conformity

Hiermit bestätigen wir, dass das nachfolgend bezeichnete Gerät den angegebenen Richtlinien entspricht. Die alleinige Verantwortung für die Ausstellung dieser Konformitätserklärung trägt der Hersteller.  
We herewith confirm that the following appliance complies with the mentioned directives. This declaration of conformity is issued under the sole responsibility of the manufacturer.

**Artikelbezeichnung:**

Article Description: Rasenmäher CR-196-20

**Artikelnummer:**

Article Number: PR0021911-01, PR0021960-01, PR0021961-01

**Type:**

HG51SMH-XP200

**Firmenanschrift:**

Company Address

Miweba GmbH Michael & Manfred Weichert  
Gewerbepark 20 96149 Breitengüßbach**Einschlägige Harmonisierungsrechtsvorschriften der Union / relevant Union harmonisation legislation:**

- |  |  |
|--|--|
| <input type="checkbox"/> 1. Elektromagnetische Verträglichkeit (EMV)<br>Electromagnetic Compatibility (EMC)<br>2014/30/EU  | <input type="checkbox"/> 2. Niederspannungs-Richtlinie<br>Low-voltage directive<br>2014/35/EU                      |
| <input type="checkbox"/> 3. Sicherheit von Spielzeug<br>Safety of toys<br>2009/48/EC   | <input type="checkbox"/> 4. Maschinen-Richtlinie<br>Machinery directive<br>2006/42/EC                              |
| <input type="checkbox"/> 5. Funkanlagen<br>Radio Equipment<br>2014/53/EU   | <input type="checkbox"/> 6. Ökodesign – Richtlinie<br>Energy – Related – Products – Directive (ErP)<br>2009/125/EC |
| <input type="checkbox"/> 7. Beschränkung der Verwendung bestimmter gefährlicher Stoffe in Elektro- und Elektronikgeräten<br>Restriction of the use of certain hazardous substances (RoHS) 2011/65/EC |  |

**Harmonisierte EN-Normen / Harmonised EN-Standards**

Der Artikel entspricht folgenden, zur Erlangung des CE-Zeichens erforderlichen Normen:  
The article complies with the standards as mentioned below which are necessary to obtain the CE-symbol:

EN ISO 5395-1: 2013+A1  
EN ISO 5395-2:2013+A1+A2  
AfPS GS2014: 01  
EN 55012:2007+A1:2009  
EN ISO 14982:2009  
97/68/EC (2012/46/EC)  
e9\*2016/1628\*2017/656SYA1/P\*1021\*00

**Miweba GmbH**  
Gewerbepark 20 - 96149 Breitengüßbach  
Tel. 09544/987908-0 Fax 09544/987908-19  
HRB 5438 Bamberg - Ust. Id.Nr.: DE246367640  
info@miweba.de www.miweba.de

Unterschrift / Signature:

Manfred Weichert

Stellung im Betrieb / Position:

Geschäftsführer / CEO

Ausstellungsdatum / Date of issue:

18.02.2019

Ausstellungsort / Place of issue:

Breitengüßbach