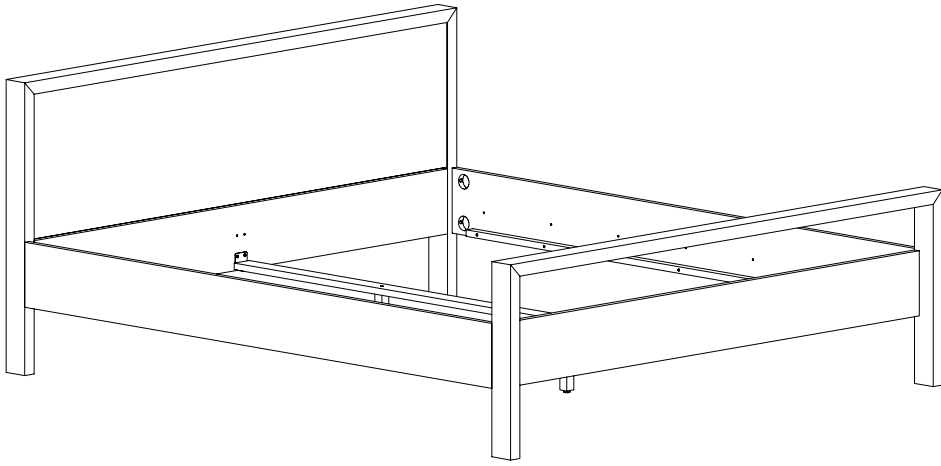
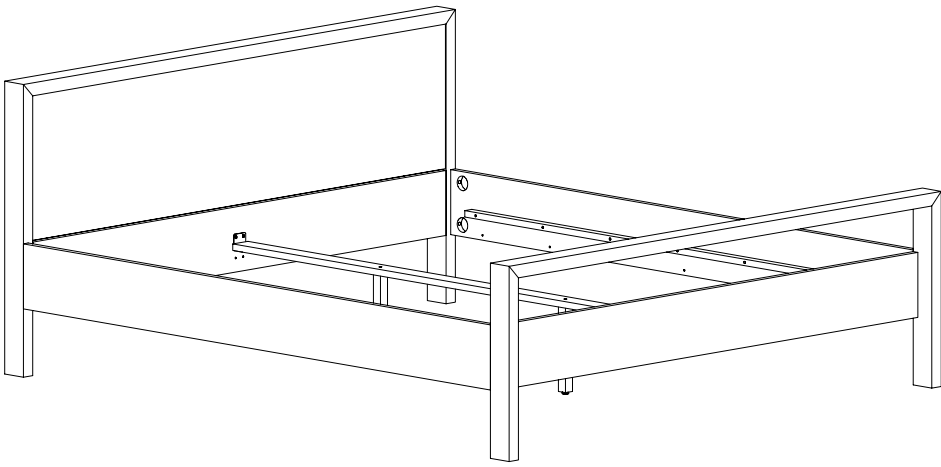


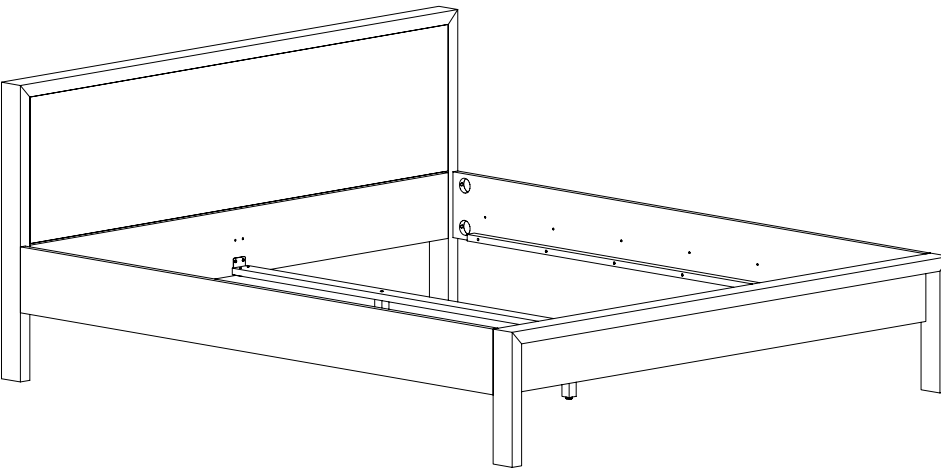
Hight A:



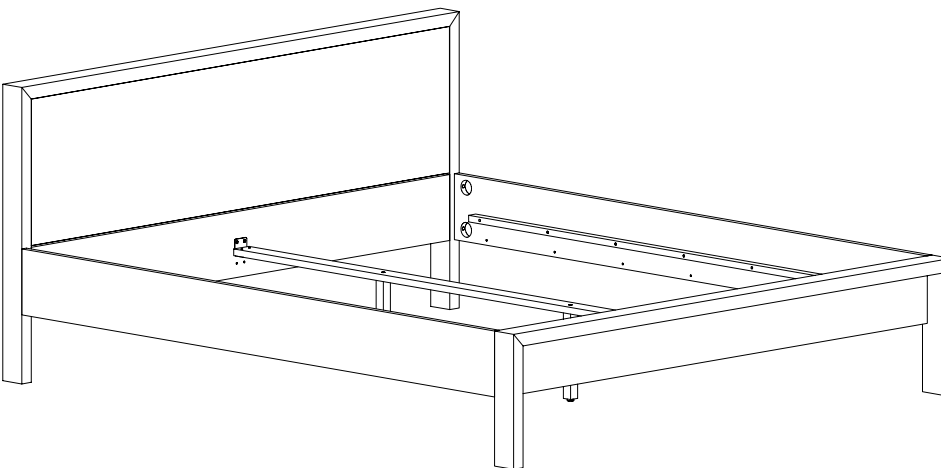
Hight B:

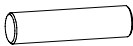



Hight A:



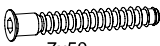
Hight B:

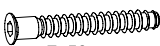


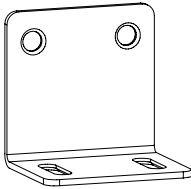
A  = 8
10x40


B  = 8
M6x50

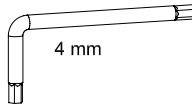
D  = 8

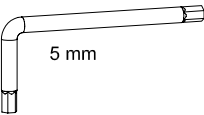
E  = 16
7x50

(220 cm.: E  = 20)
7x50

F  = 2

G  = 8
6,1x12

H  = 1
4 mm

I  = 1
5 mm

