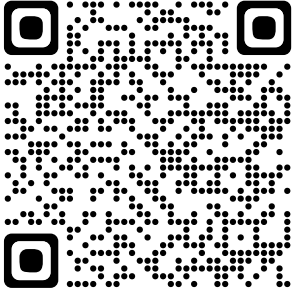
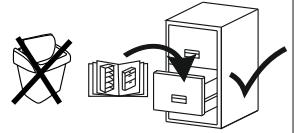


MEBLE-OKMED
DEMKO

„MEBLE-OKMED” DEMKO - SPÓŁKA JAWNA
ul. Kolejowa 13, 14-500 Braniewo, POLSKA
www.mebleokmed.pl (+48) 55 243 27 26
firma@mebleokmed.pl

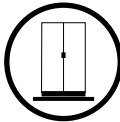
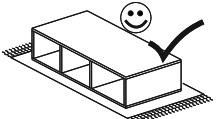
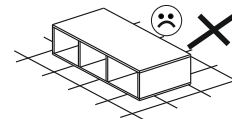
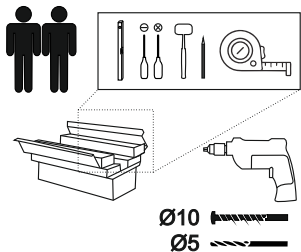
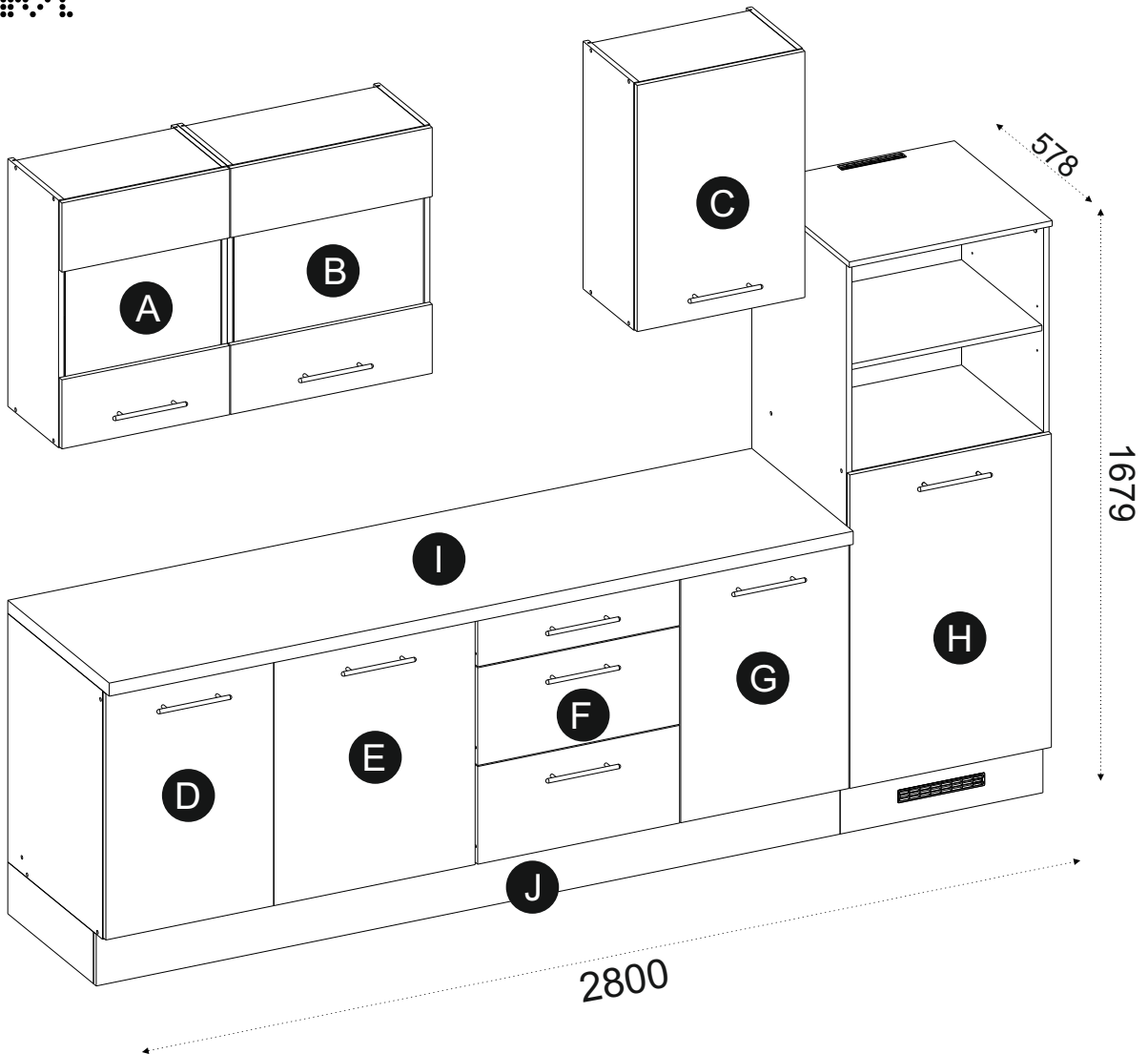
SERIA: .../...



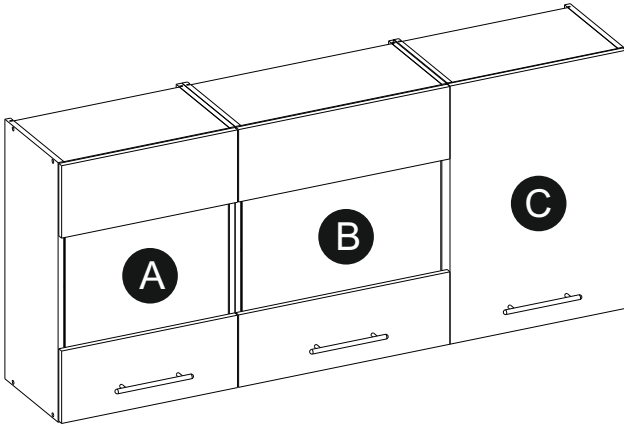
CAPRI

SERIA: .../...

MEBLE OKMED Demko SP J.
14-500 Braniewo, Ul. Kolejowa 13



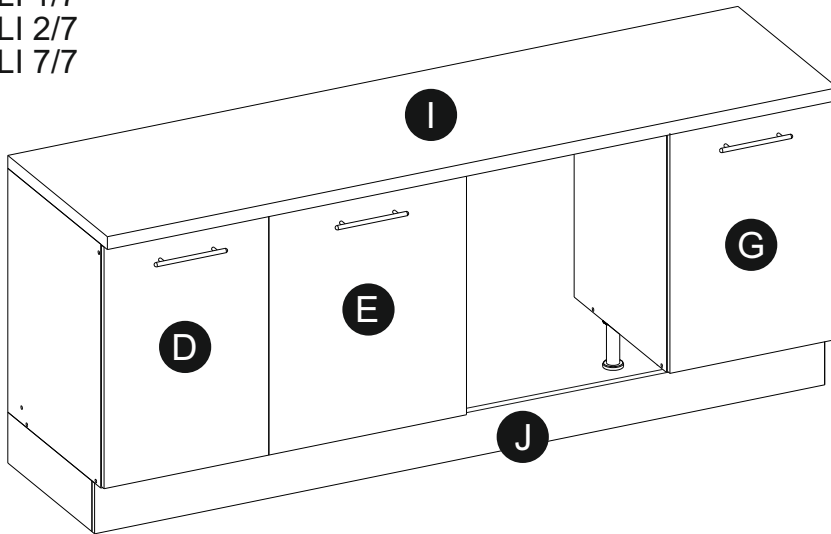
CAPRI

COLLI 5/7
COLLI 6/7

A 47-54

B 55-62

C 40-46

COLLI 1/7
COLLI 2/7
COLLI 7/7

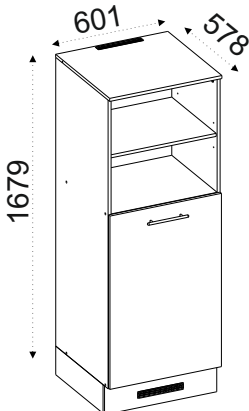
D 3-10

G 11-17

I J 63-66

COLLI 4/7
COLLI 2/7

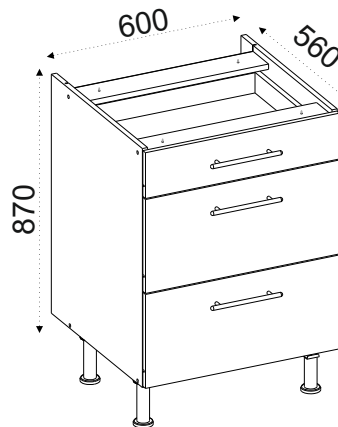
H



30-39

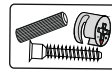
COLLI 3/7

F

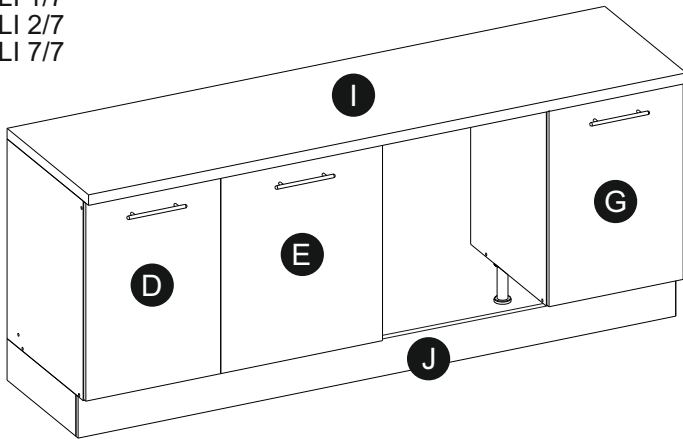


18-29

Colli 1/7



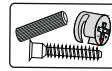
COLLI 1/7
COLLI 2/7
COLLI 7/7



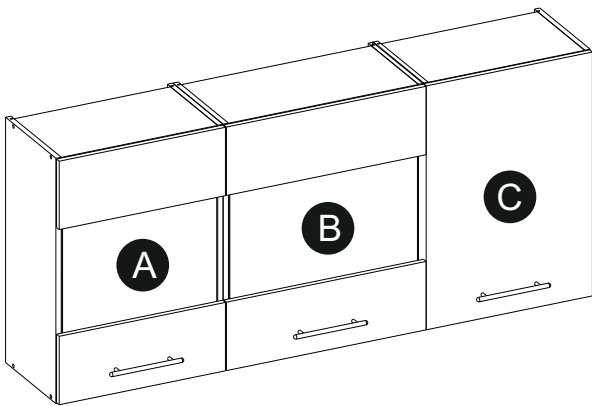
	4x16		PP	8		S1	4
--	------	--	----	---	--	----	---

	Ø8x35		7x50		KK1	1		NK1	8		3,5x16		4x13		ZPH	4				
	PMO1	2		U160	3		ZK	8		4x25		KN1	8		3x16		4x30		W7	4

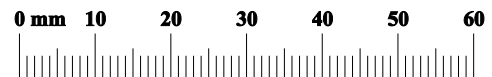
Colli 5/7

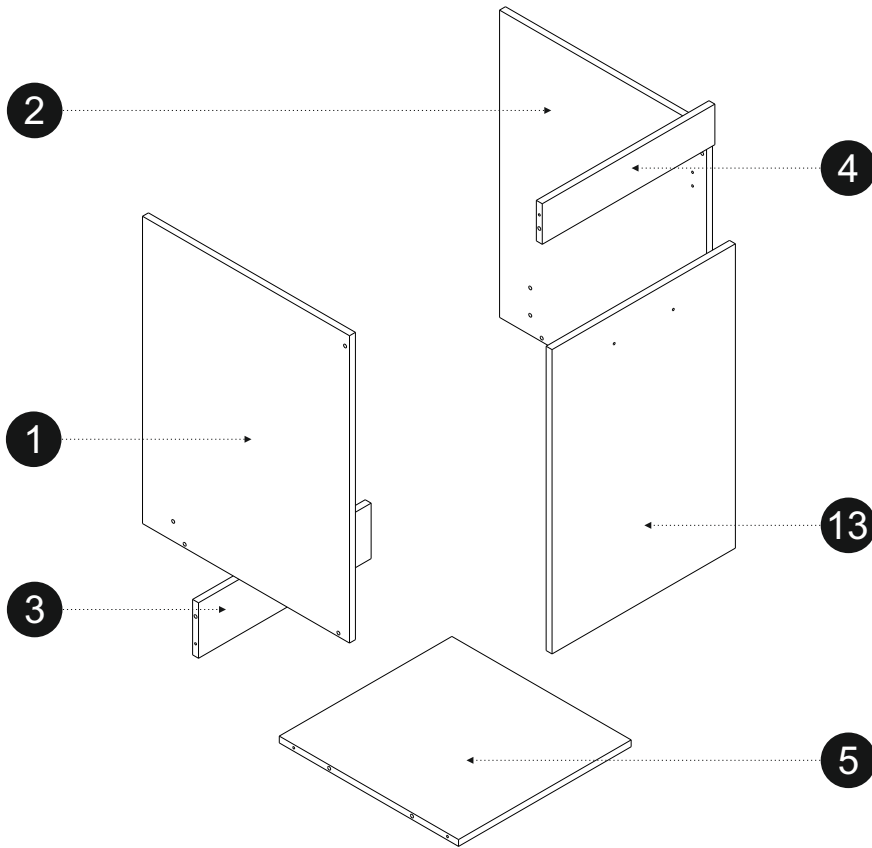
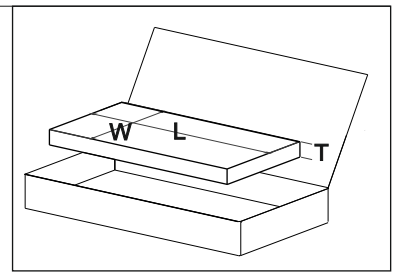
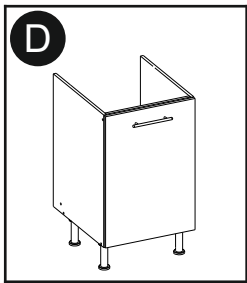


COLLI 5/7
COLLI 6/7



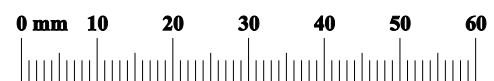
	Ø8x35		ZRS1	6		4x30		7x50		KK1	1		3x16		4x13		4x16		W4	12				
	ZPH	6		PP	12		ZK	24		U160	3		LMM	6		10x50		6x50		KRW1	12		KRL1	12
	4x16		TS1	12																				



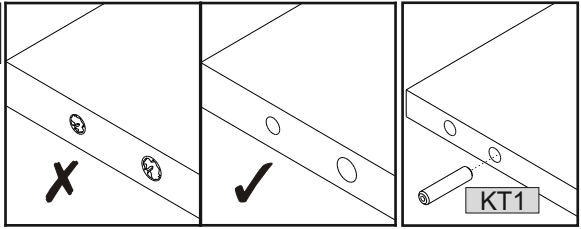


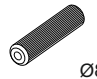
		1/7				
	L [mm]	W [mm]	T [mm]			
1	720	560	16	x1		
2	720	560	16	x1		
3	467	130	16	x1		
4	467	95	16	x1		
5	467	485	16	x1		
		2/7				
13	713	496	16	x1		

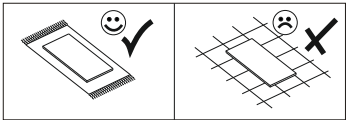
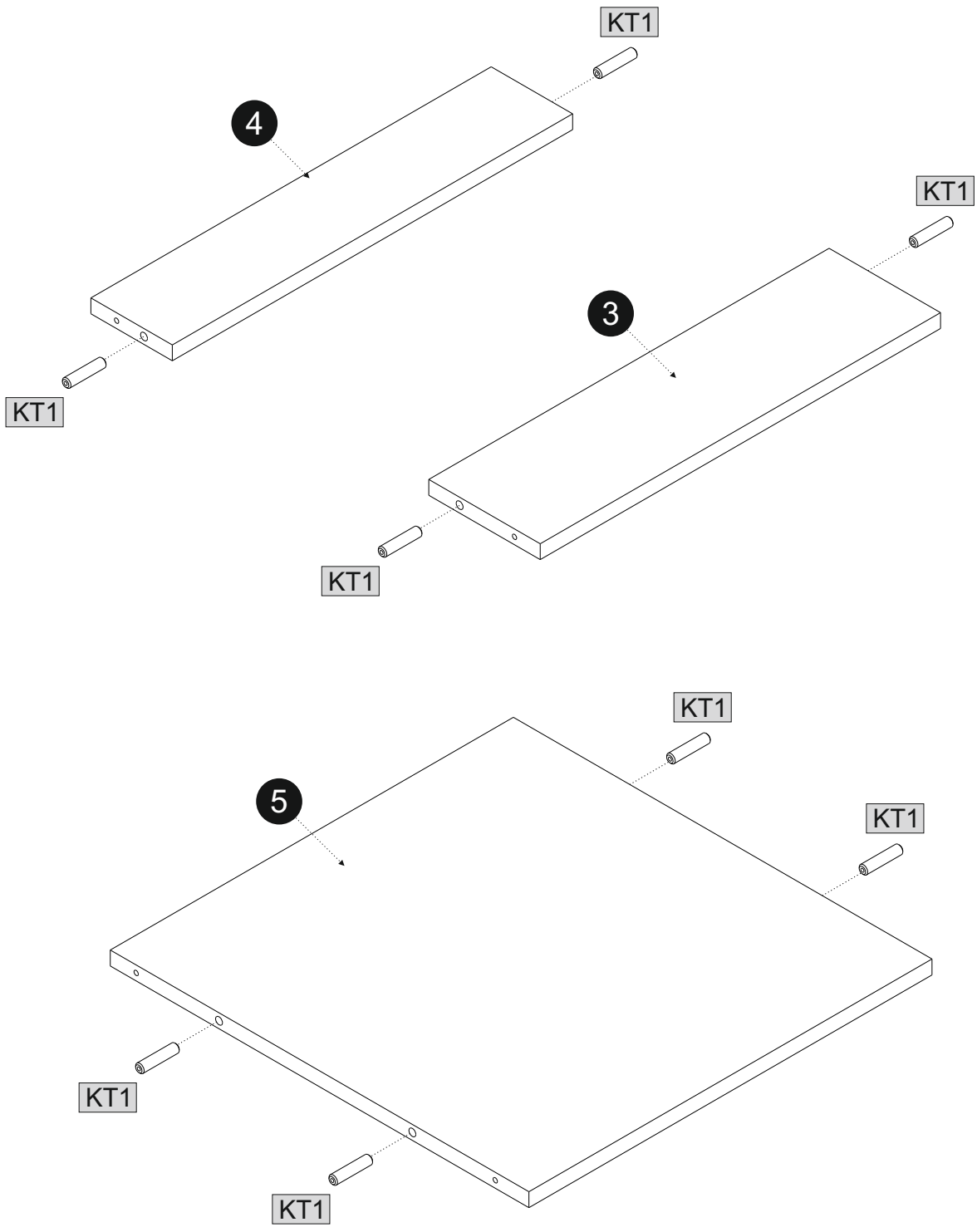
	Ø8x40		7x50				3,5x16		4x13				
KT1	8	K1	8	KK1	1	NK1	4	W11	24	W4	4	ZPH	2
							4x25				4x16		
PMO1	2	U160	1	ZK	4	W14	2	KN1	4	W12	2		



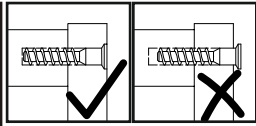
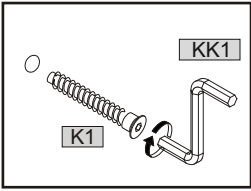
01





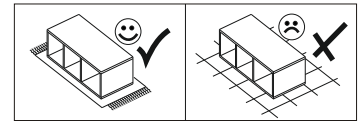
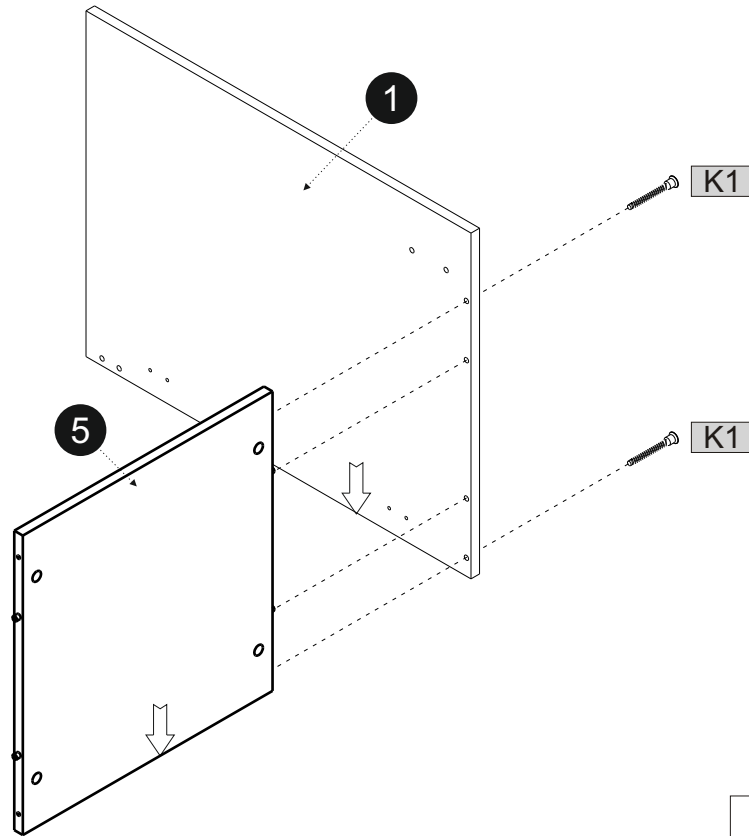
	Ø8x40
KT1	8



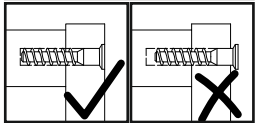
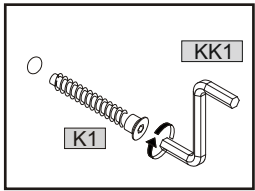
02

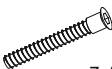
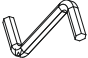


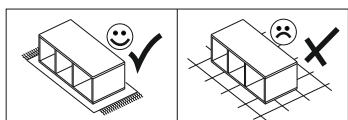
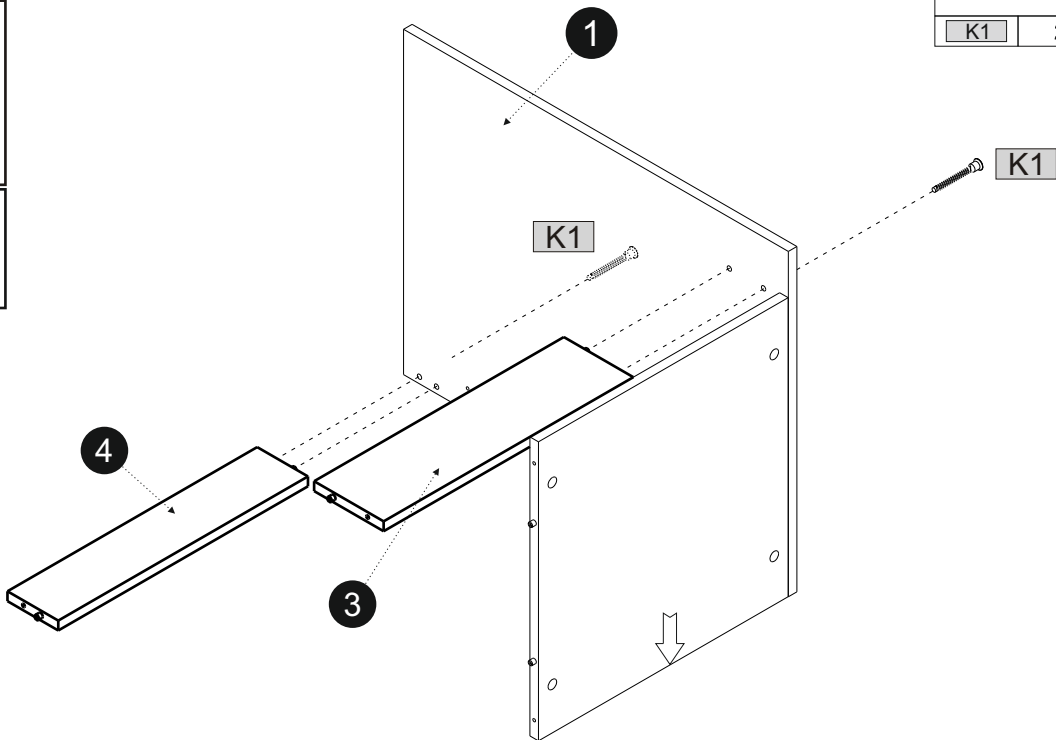
			
7x50			
K1	2	KK1	1



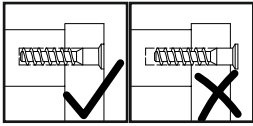
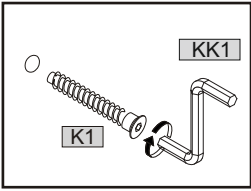
03



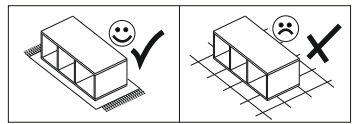
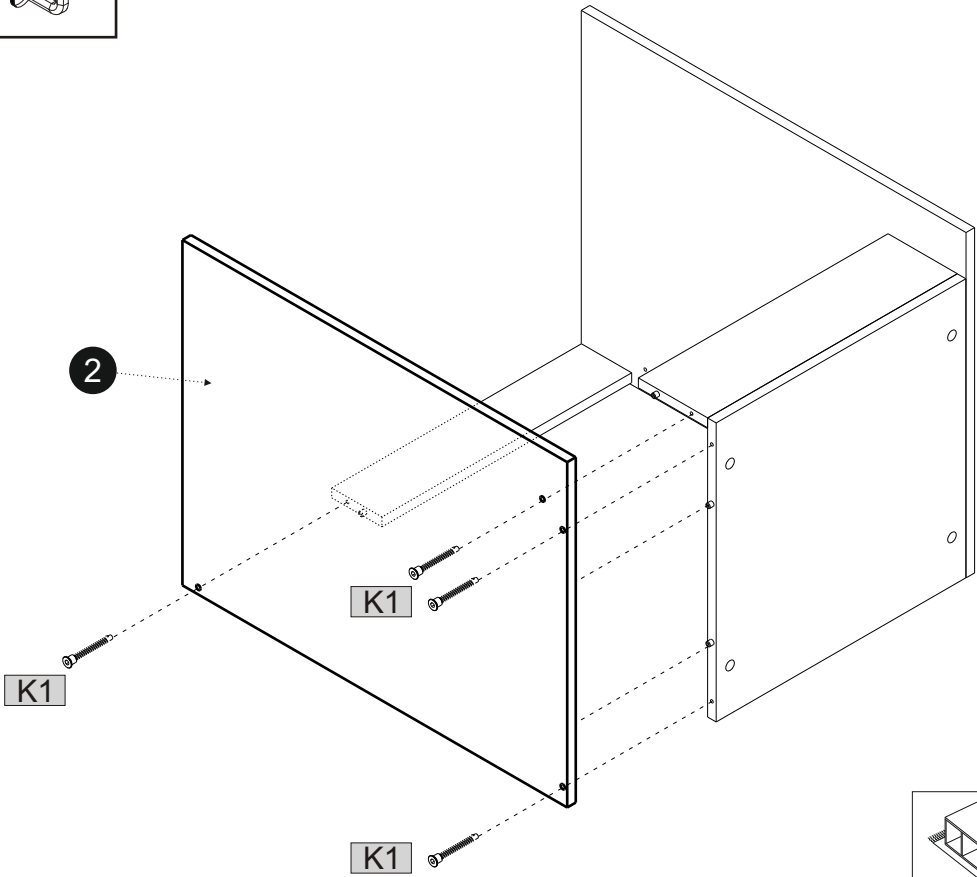
			
7x50			
K1	2	KK1	1



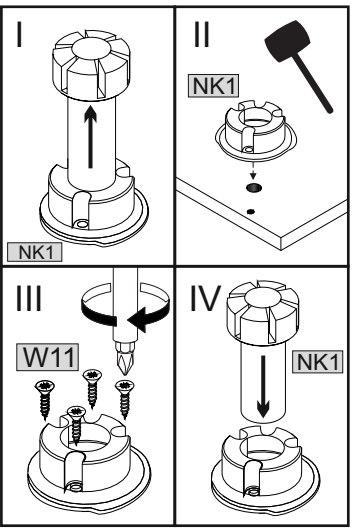
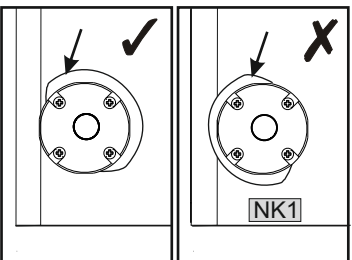
04



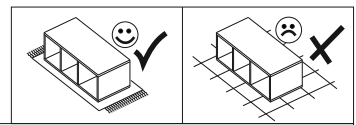
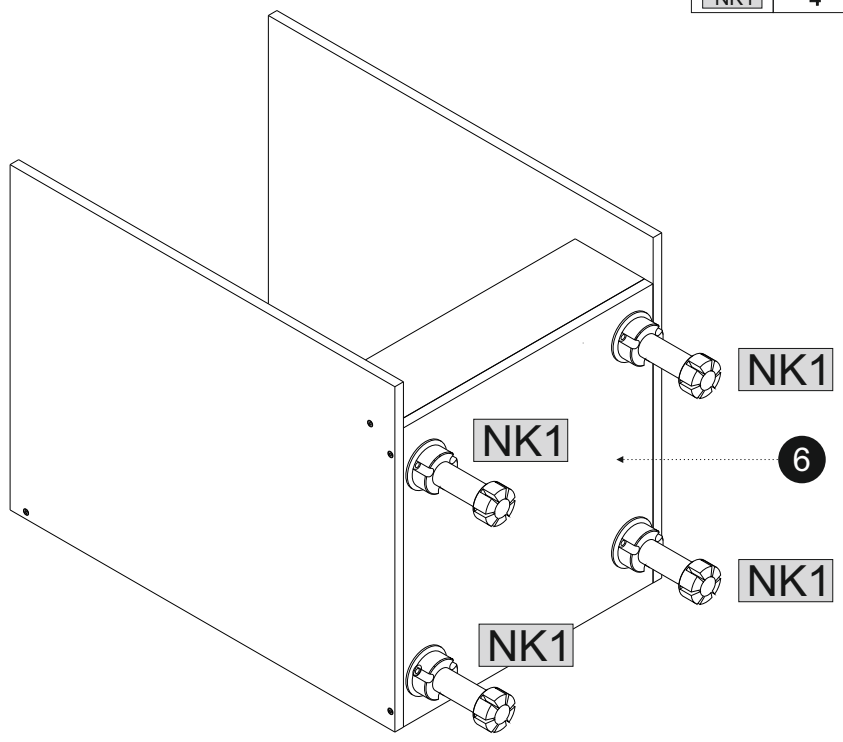
7x50			
K1	4	KK1	1




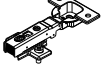
05

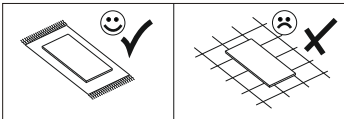
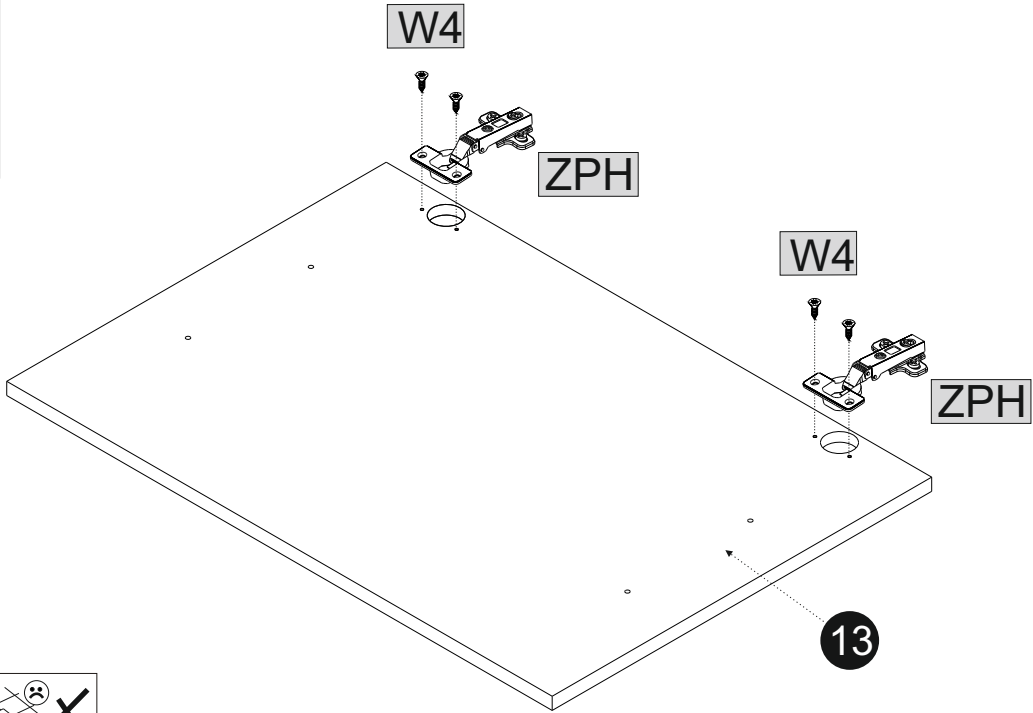
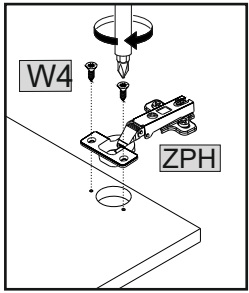


		3,5x16	
NK1	4	W11	16

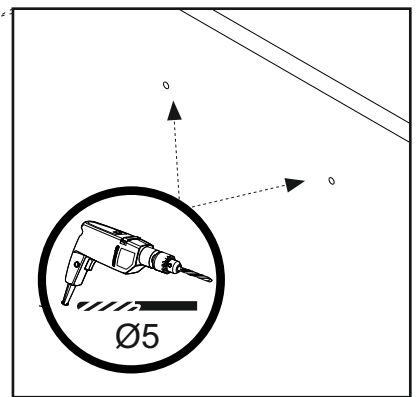
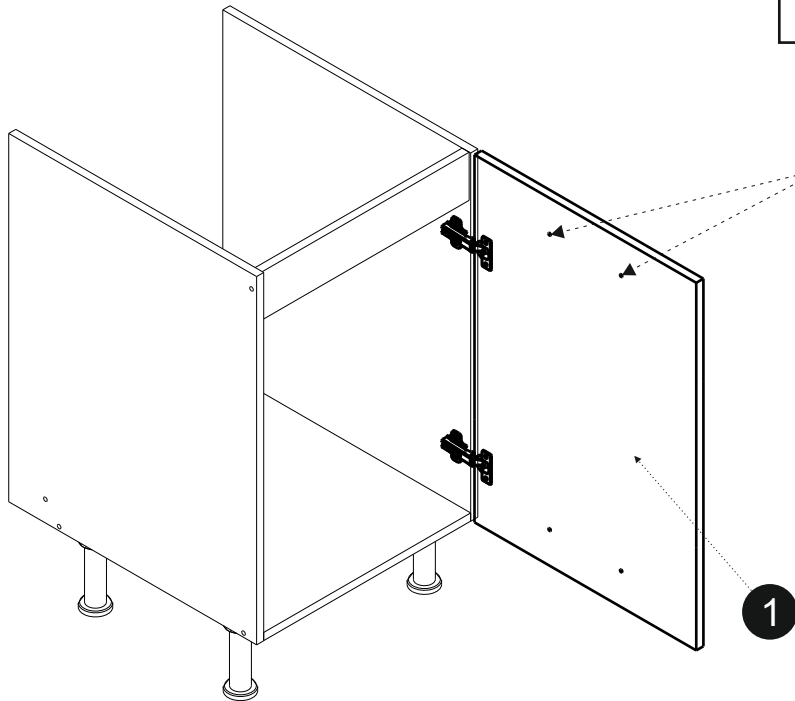
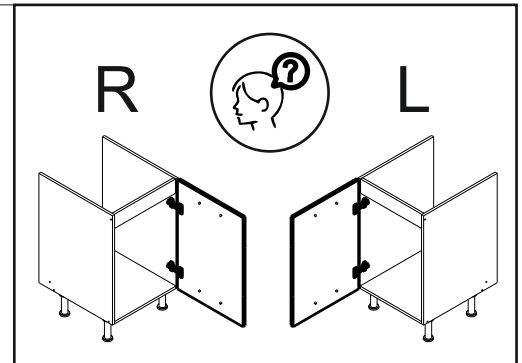
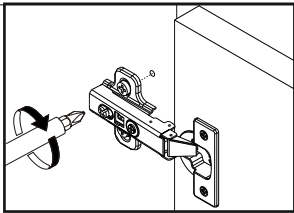
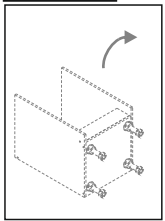


06

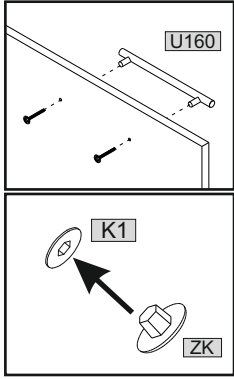
	4x13		
W4	4	ZPH	2



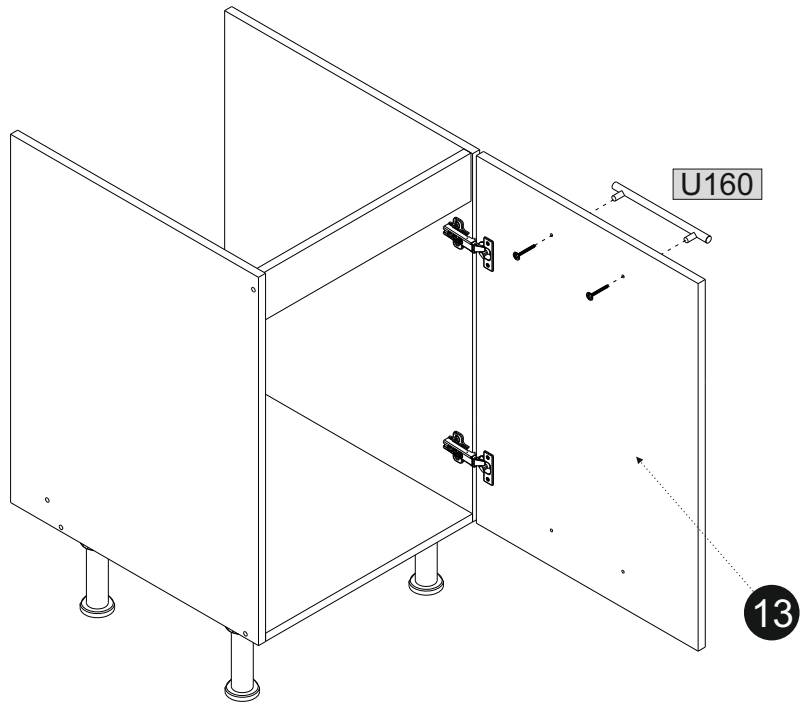
07



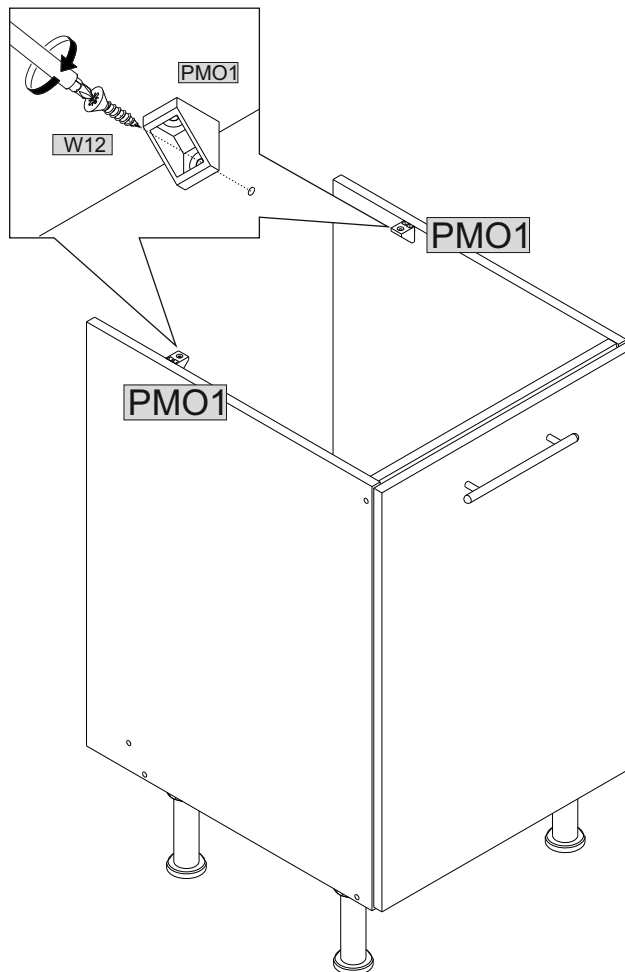
08



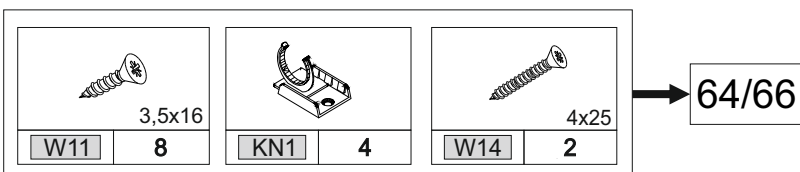
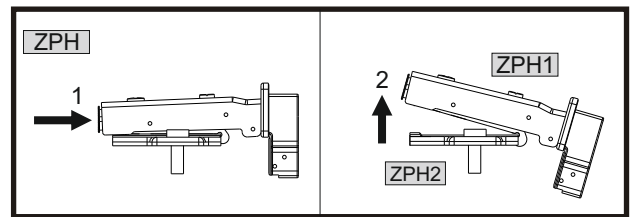
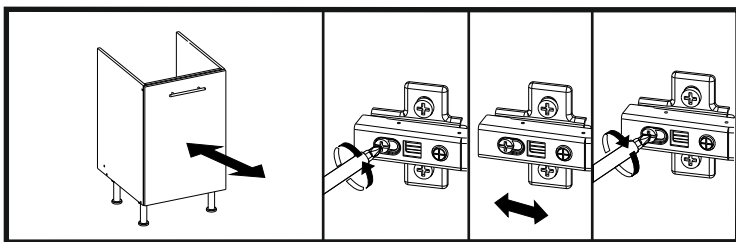
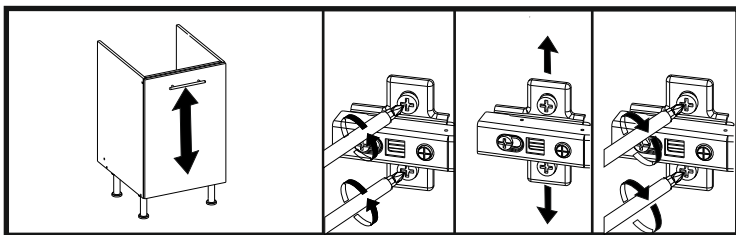
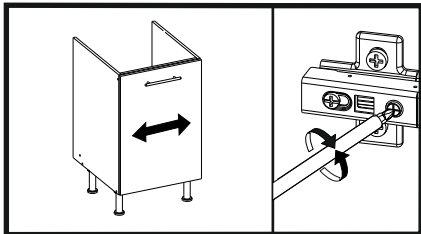
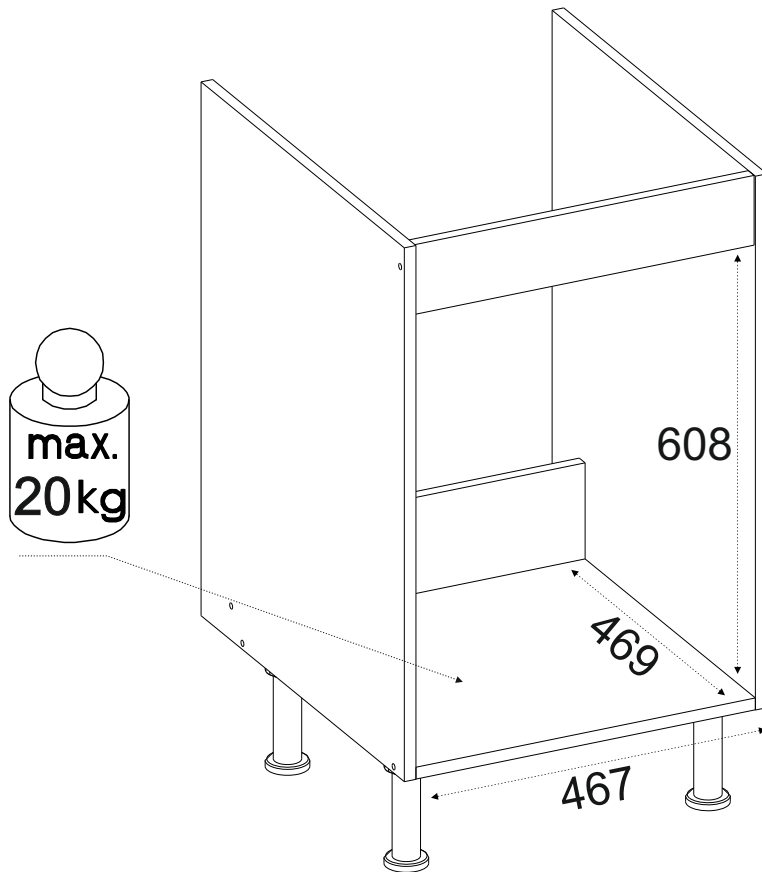
U160	1
ZK	4

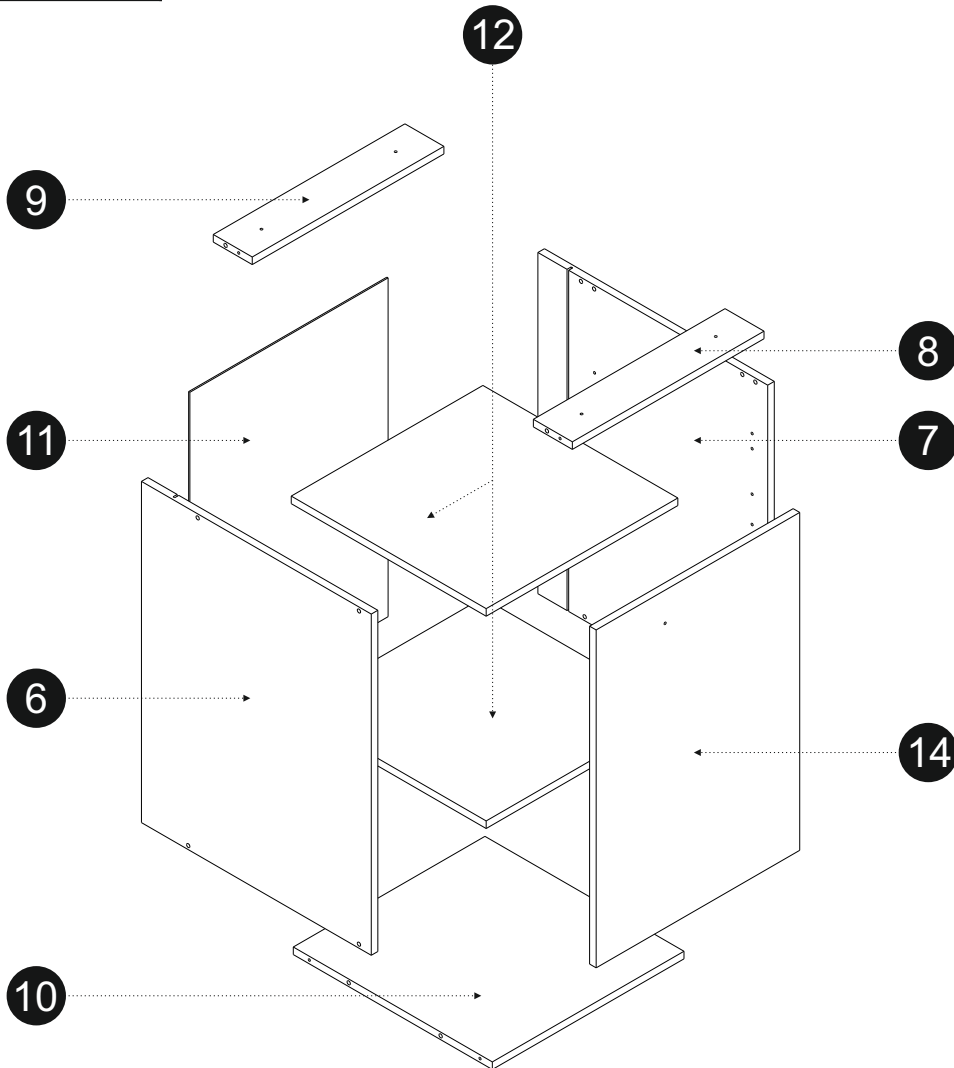
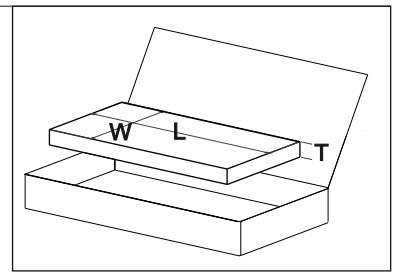
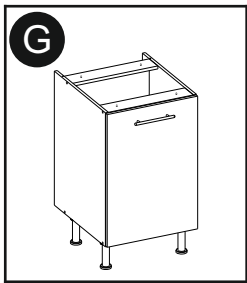


09

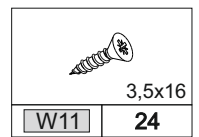
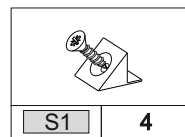
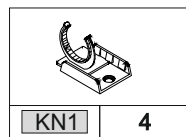
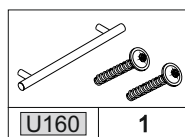
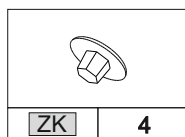
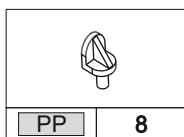
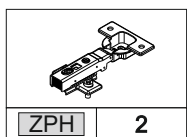
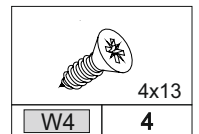
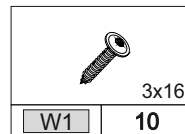
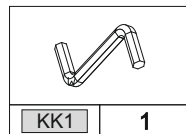
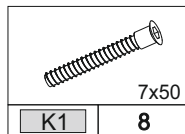
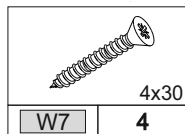
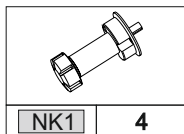
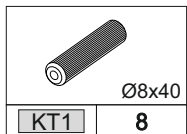


4x16			
W12	2	PMO1	2

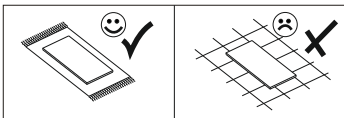
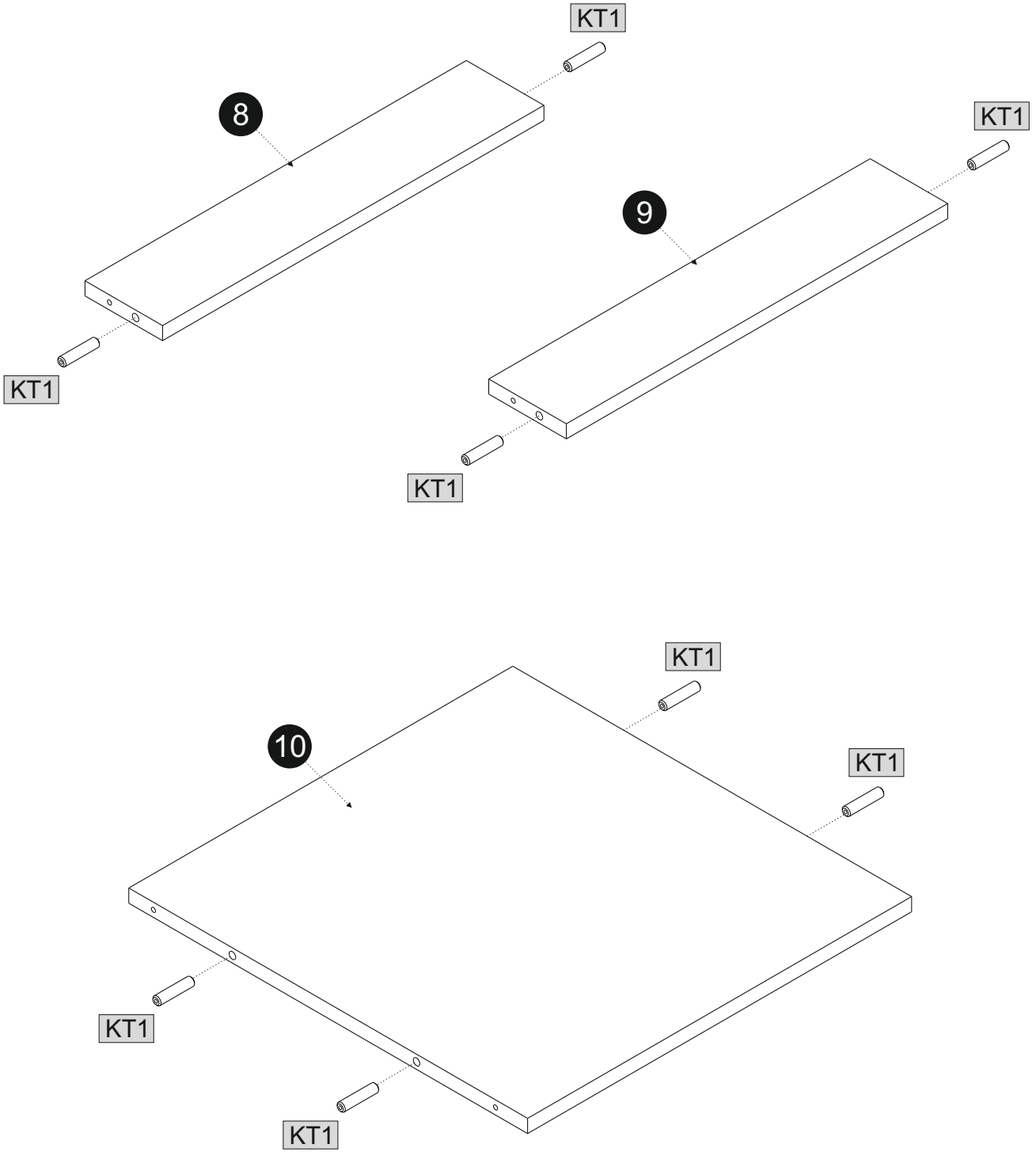
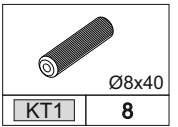
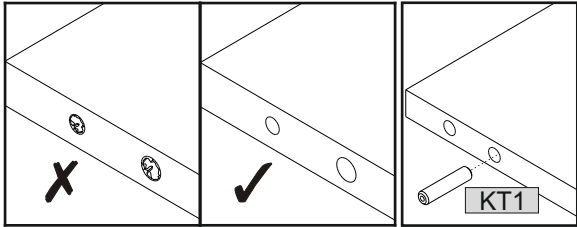




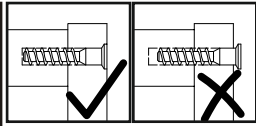
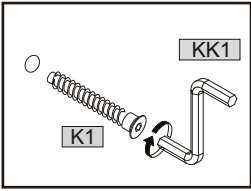
1/7				
	L [mm]	W [mm]	T [mm]	
6	720	560	16	x1
7	720	560	16	x1
8	467	95	16	x1
9	467	95	16	x1
10	467	485	16	x1
11	715	483	3	x1
12	467	475	16	x2
2/7				
14	713	496	16	x1





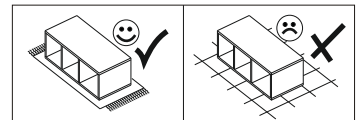
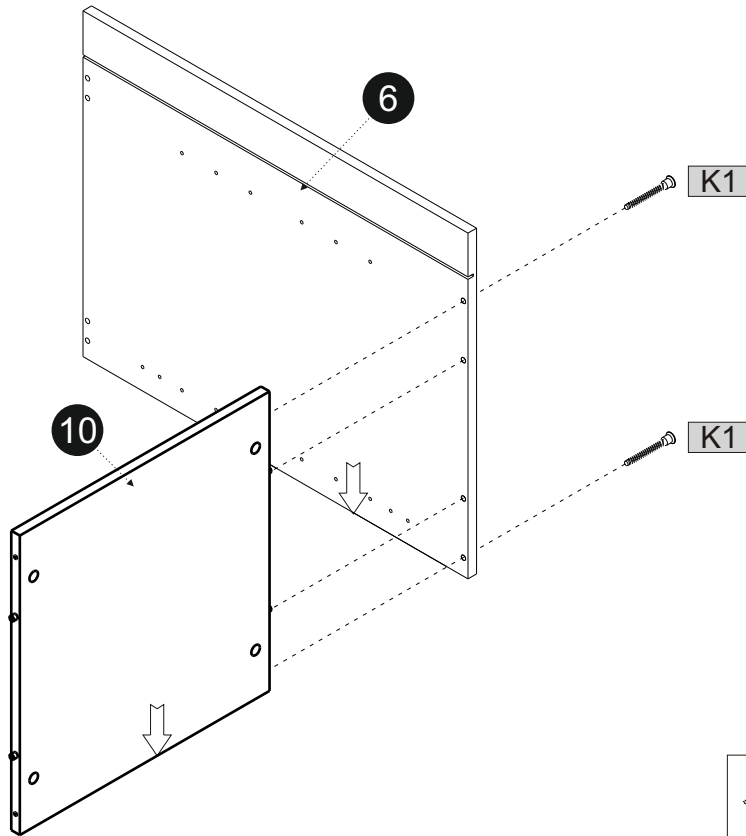
01



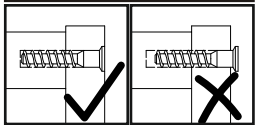
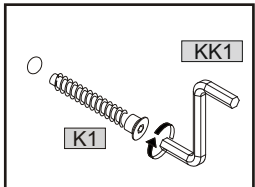
02

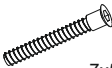



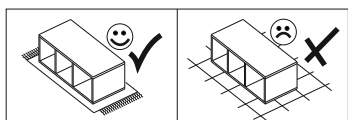
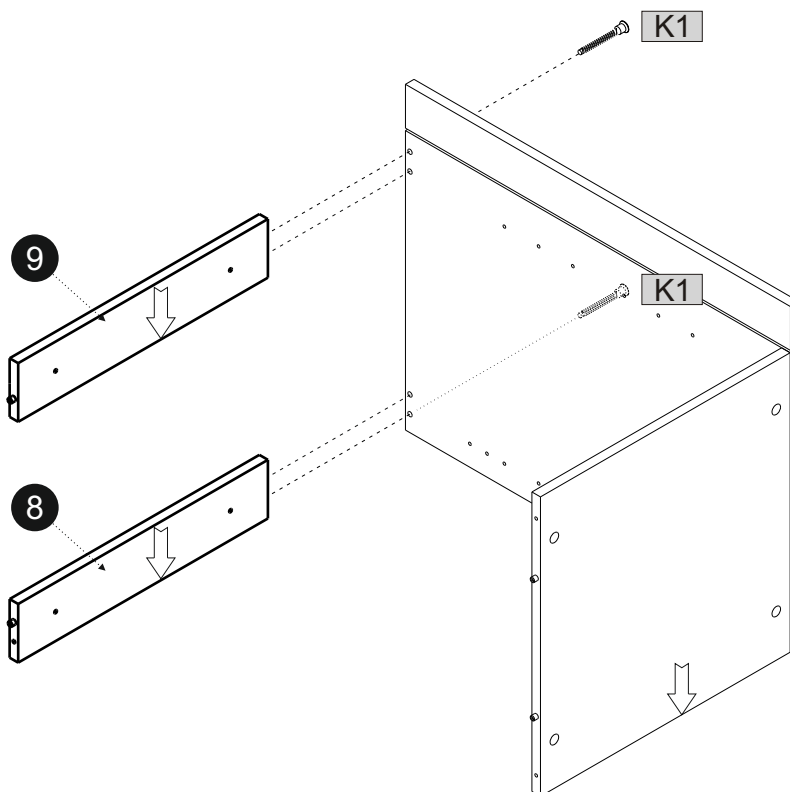
			
7x50			
K1	2	KK1	1



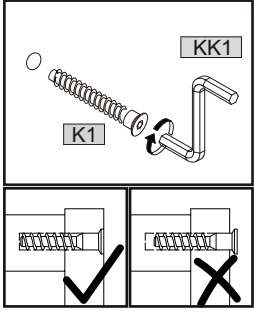
03



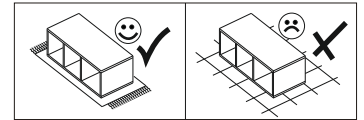
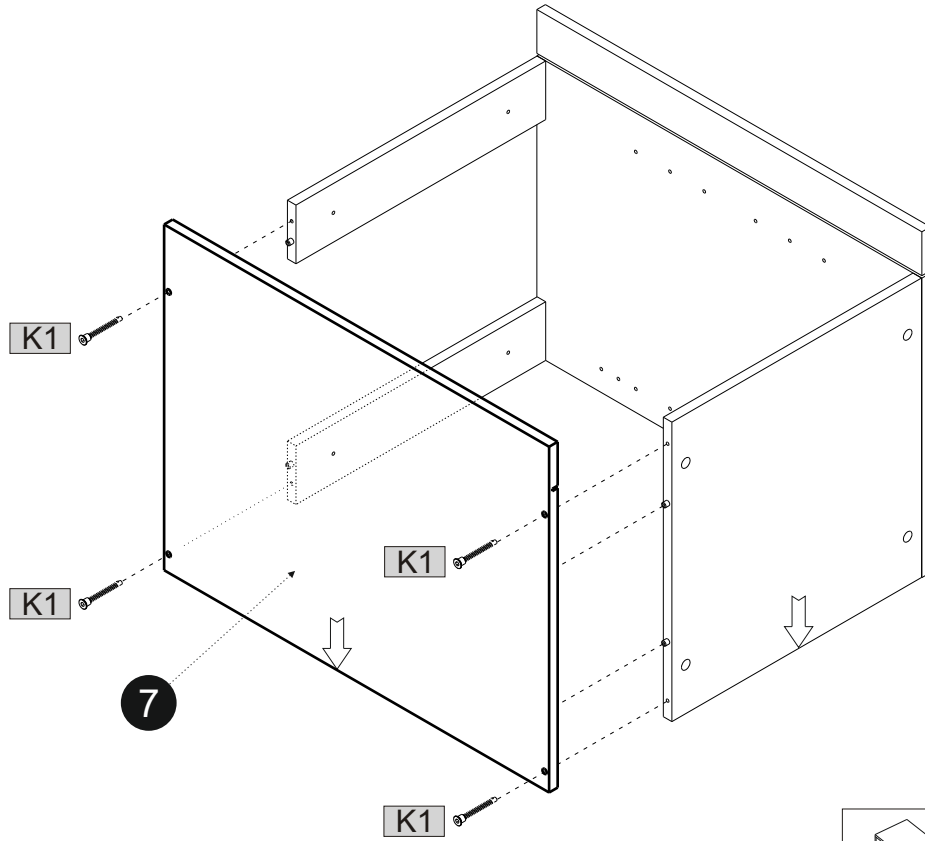
			
7x50			
K1	2	KK1	1



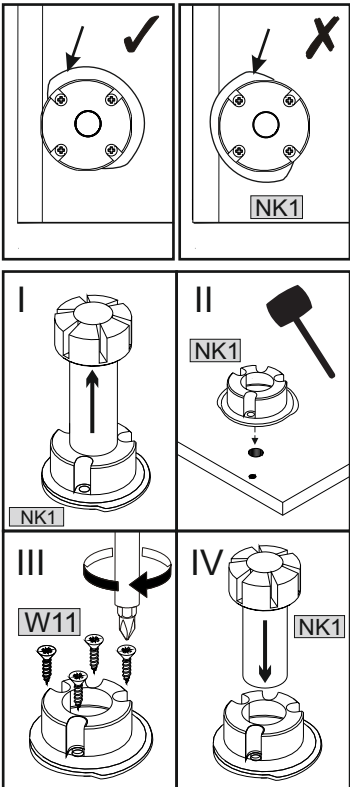
04



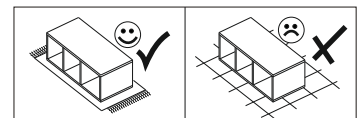
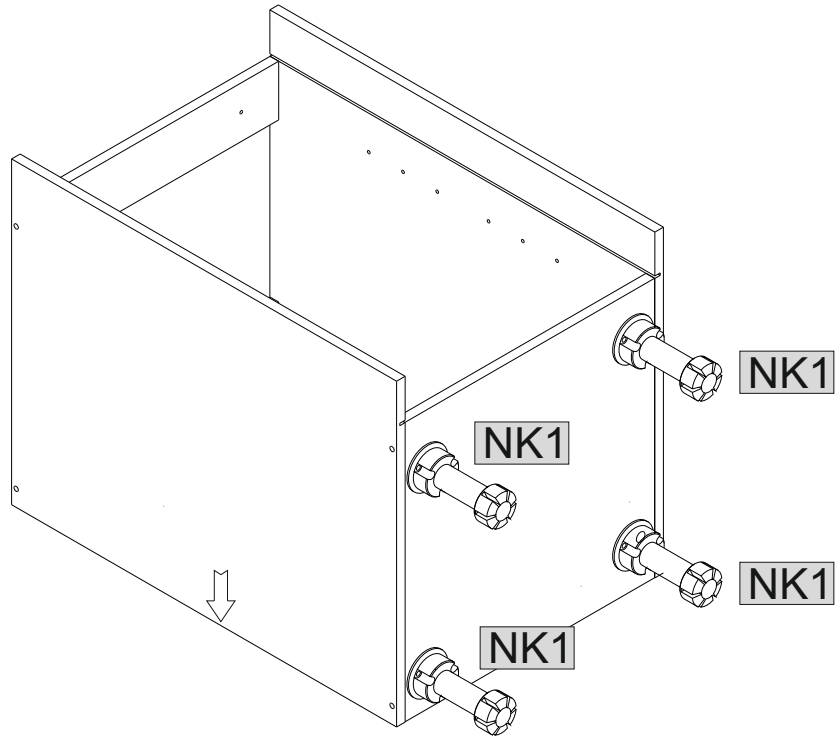
	7x50		
K1	4	KK1	1

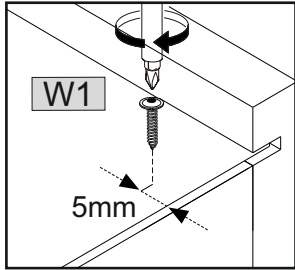
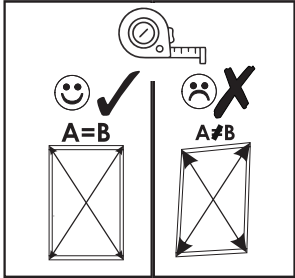




05

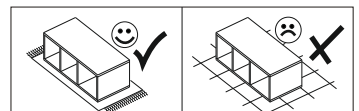
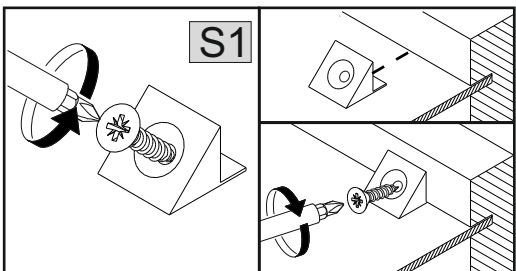
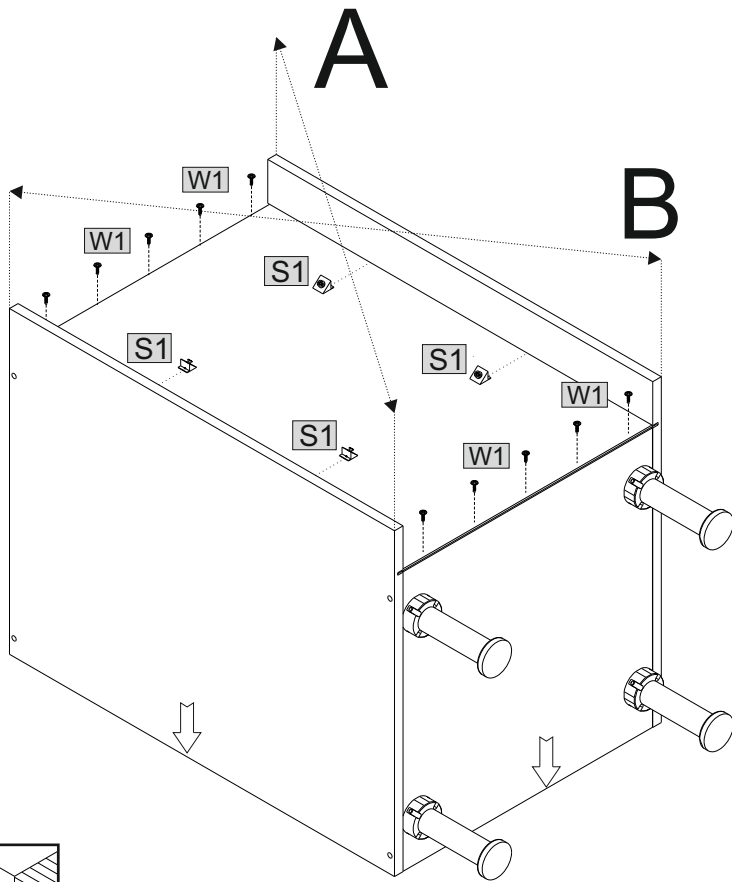
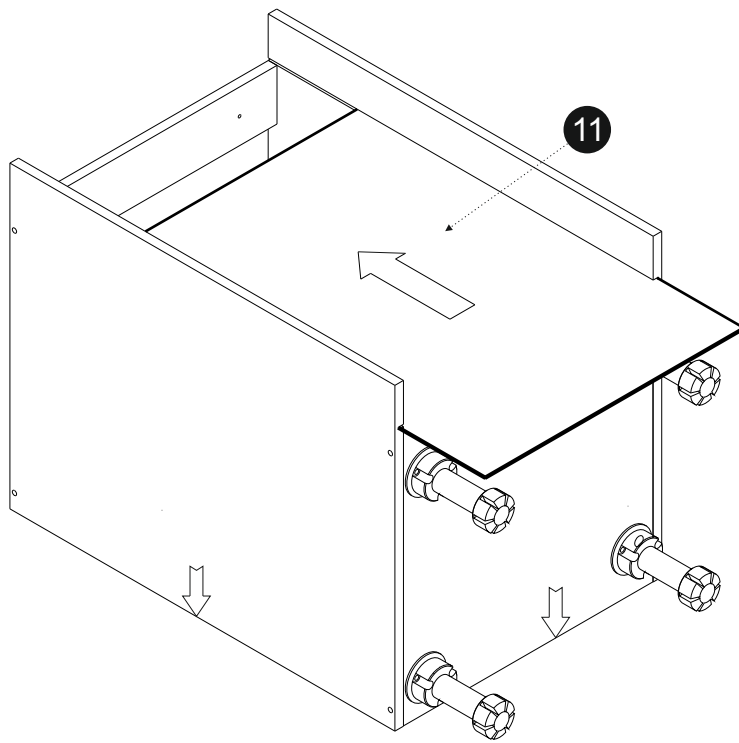


			3,5x16
NK1	4	W11	16

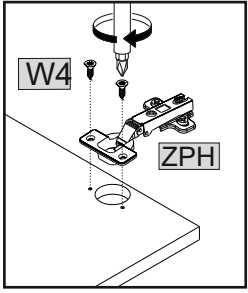



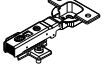


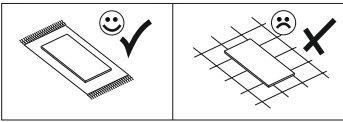
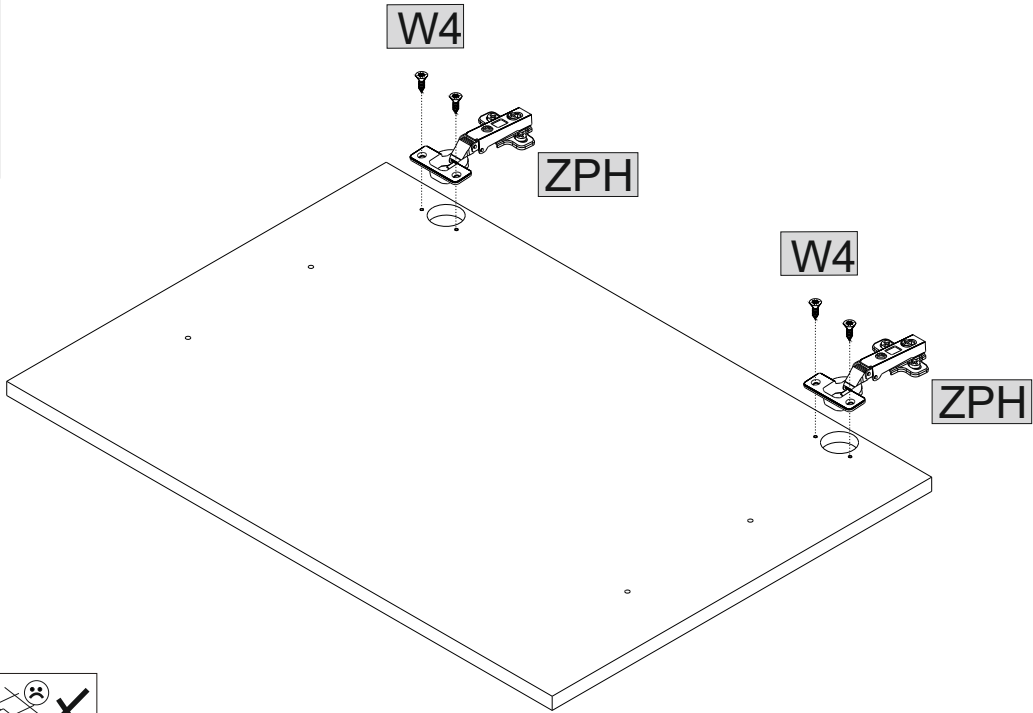
	
3x16	
W1	10
	
S1	4



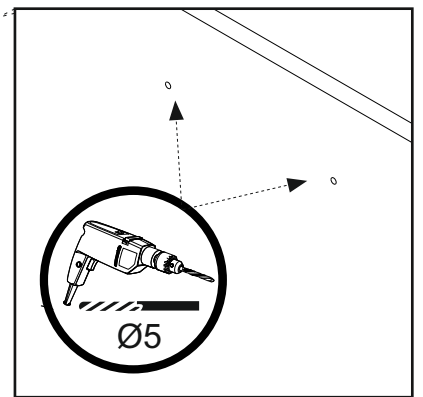
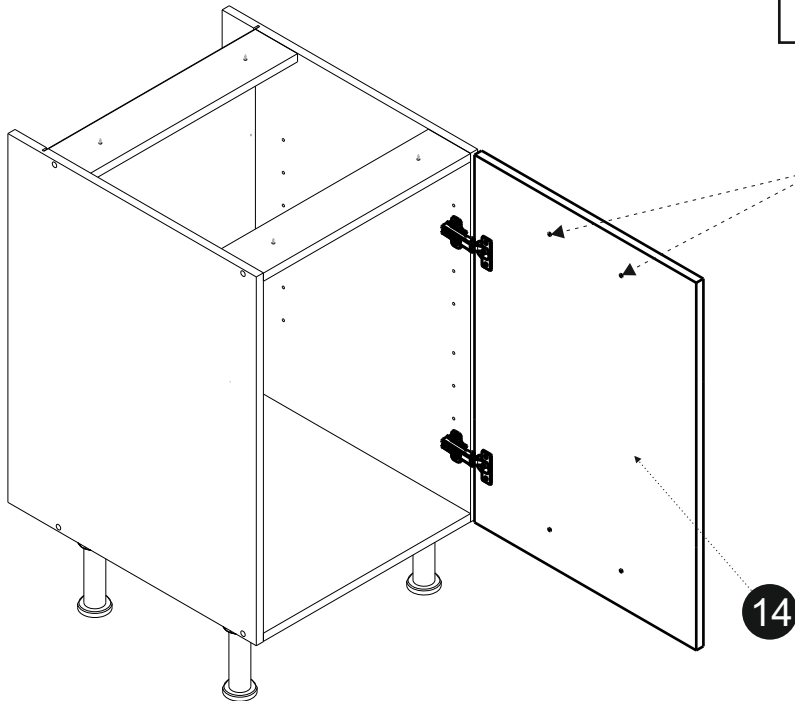
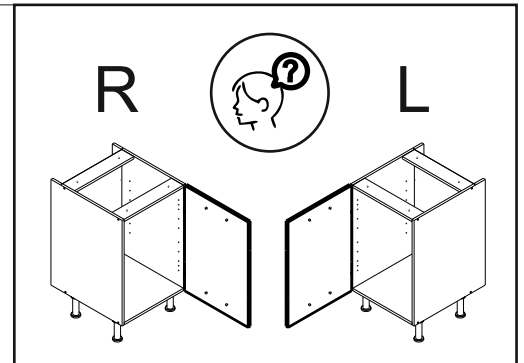
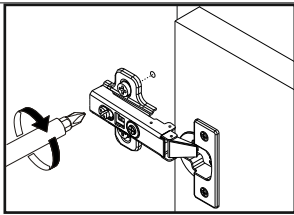
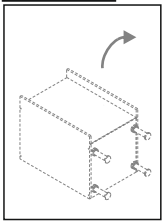
07

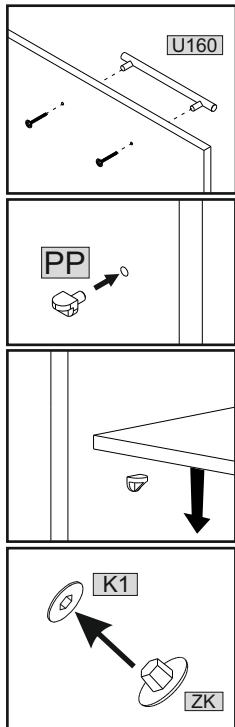


	4x13		
W4	4	ZPH	2

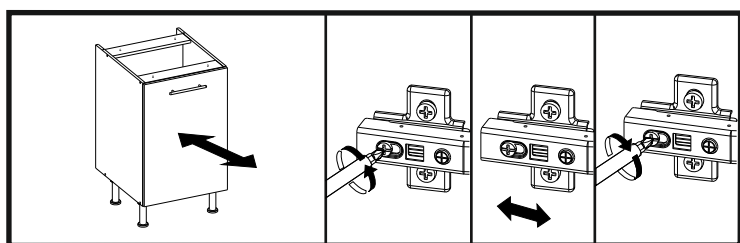
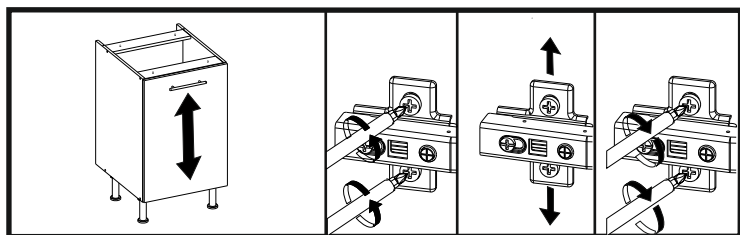
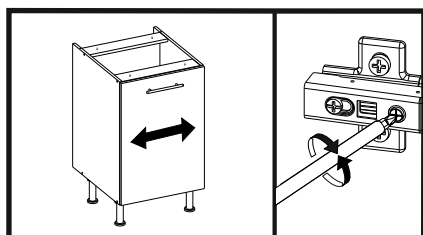
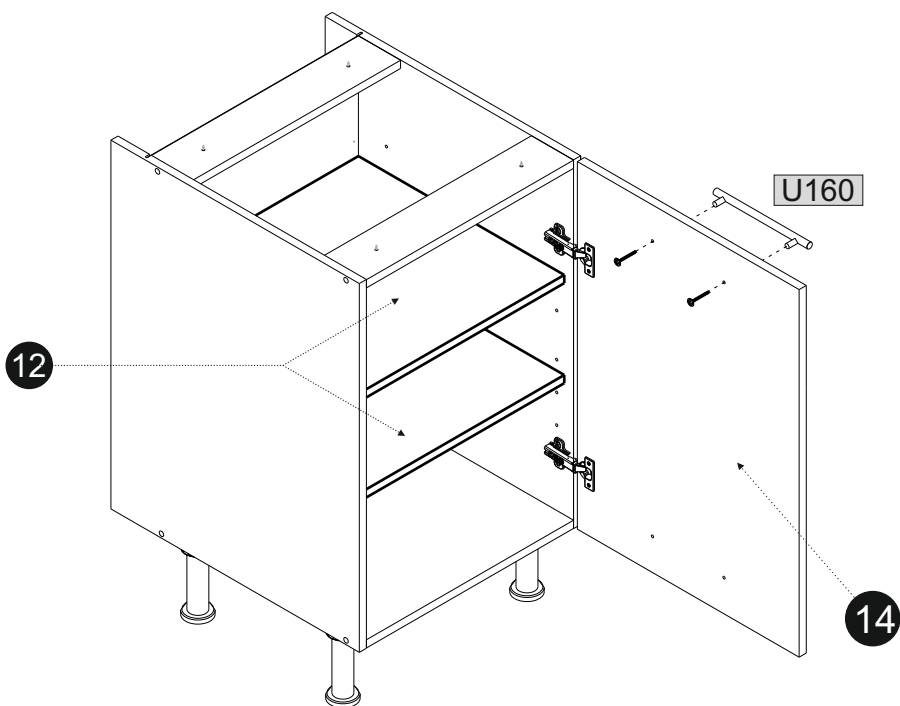


08

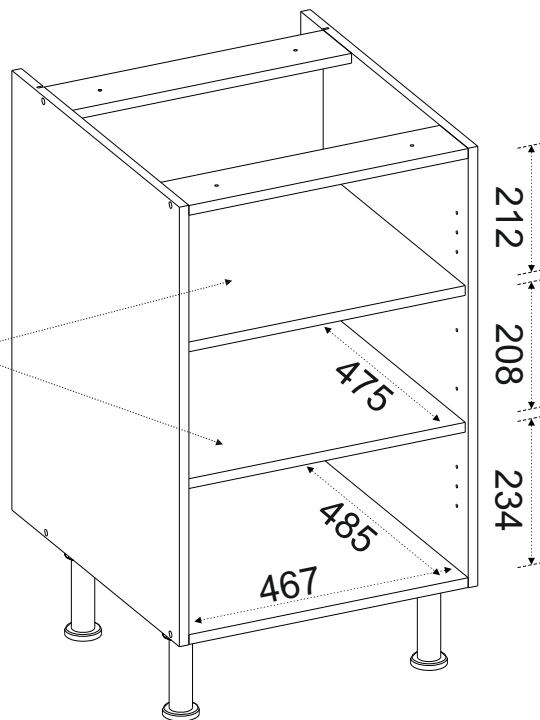




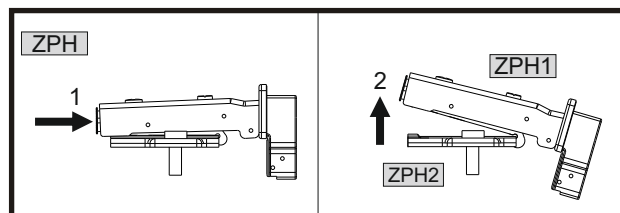
U160	1
ZK	4
PP	8

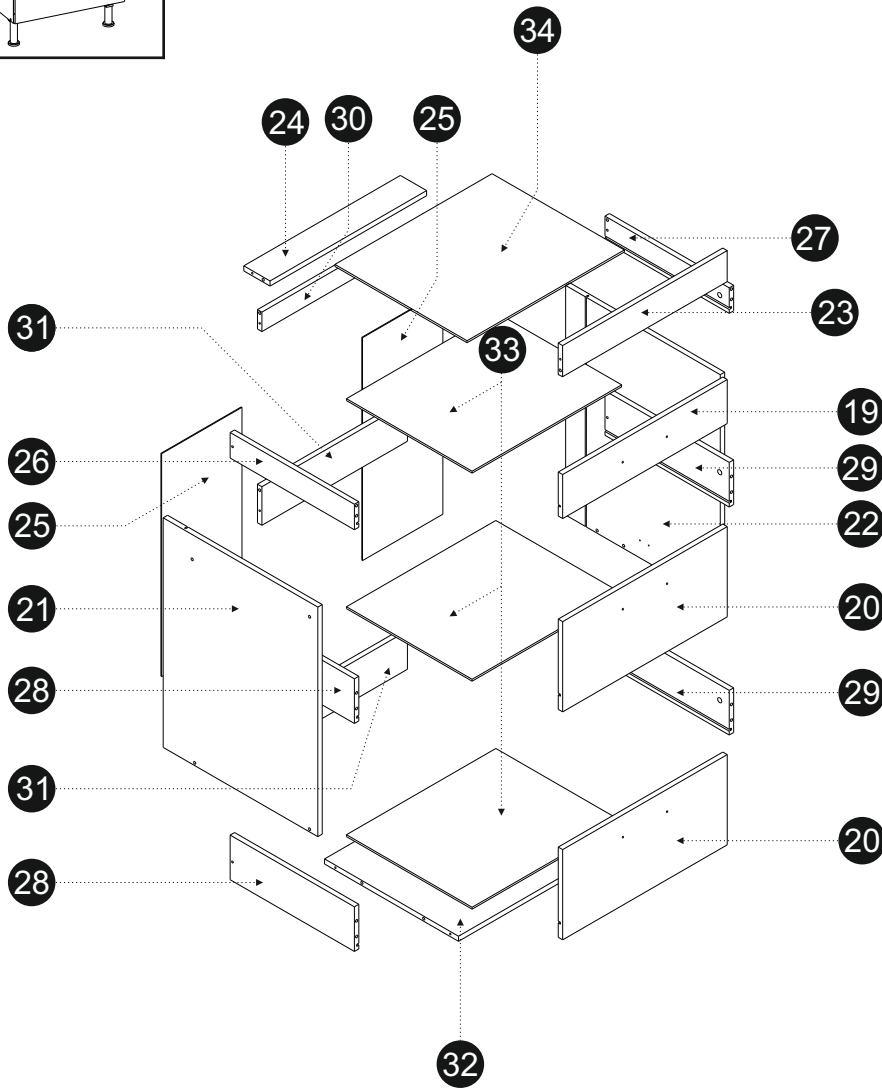
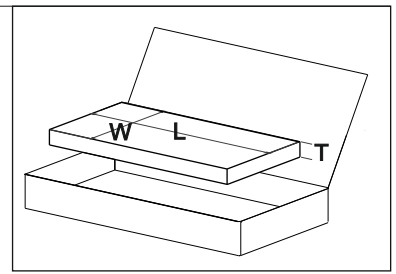
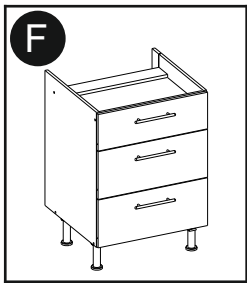


max.
10kg



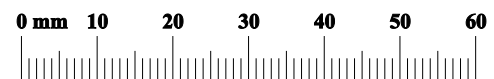
	3,5x16				4x30	→ 64/66
W11	8	KN1	4	W7	4	



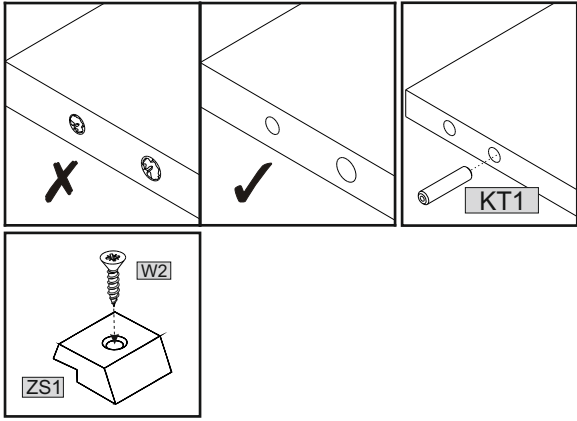


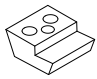
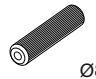

3/7				
	L [mm]	W [mm]	T [mm]	
19	596	195	16	x1
20	596	255	16	x2
21	720	560	16	x1
22	720	560	16	x1
23	567	76	16	x1
24	567	95	16	x1
25	645	291	3	x2
26	450	80	16	x1
27	450	80	16	x1
28	450	140	16	x2
29	450	140	16	x2
30	527	61	16	x1
31	527	121	16	x2
32	567	485	16	x1
33	541	455	5	x3
34	565	423	3	x1

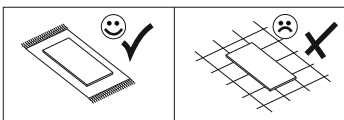
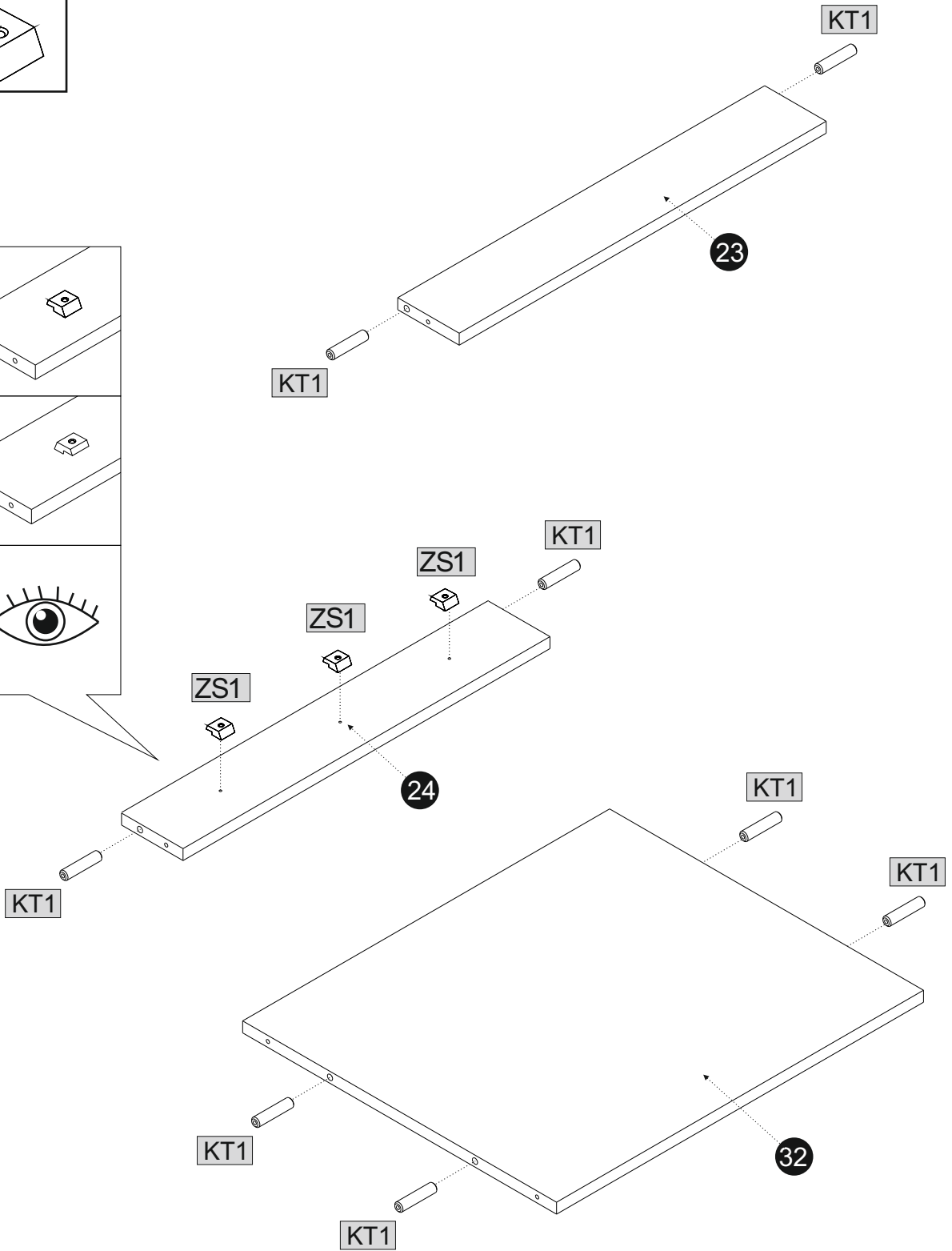
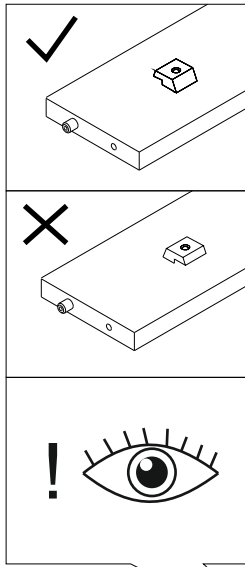
Ø8x35 KT1 24	3,5x16 W11 47	7x50 K1 8	KK1 1	NK1 4	LI 1	ZM1B 6
U160 3	L-450 PQFL 3	L-450 PQFR 3	S1 10	3x16 W1 46	ZM1A 6	ZK 8
ZM1 6	KM1 6	KN1 2	WDS3 3	PMO1 4	3x20 W2 6	ZS1 6
4x16 W12 4	4x25 W14 4					

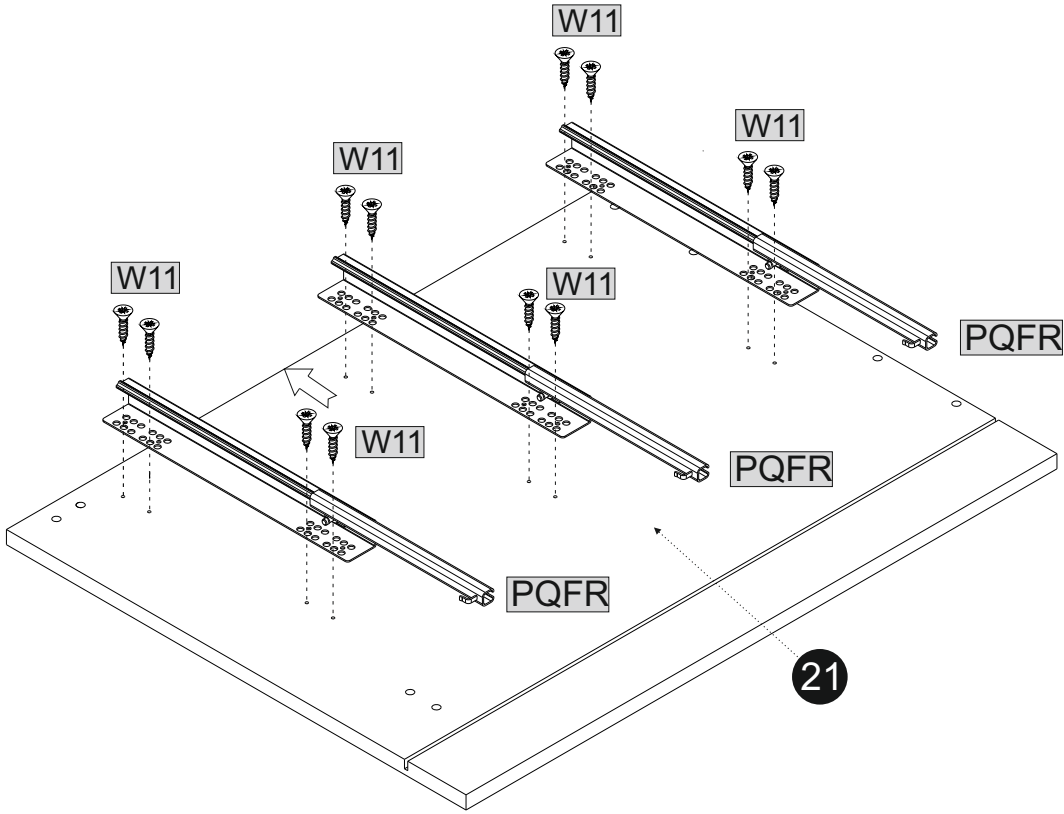



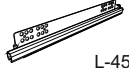
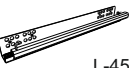
01

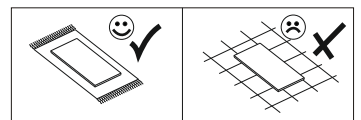
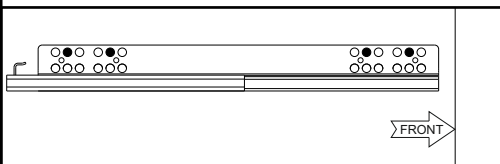
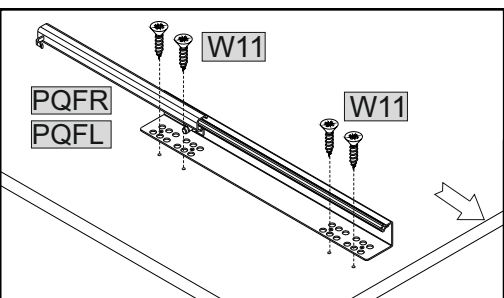
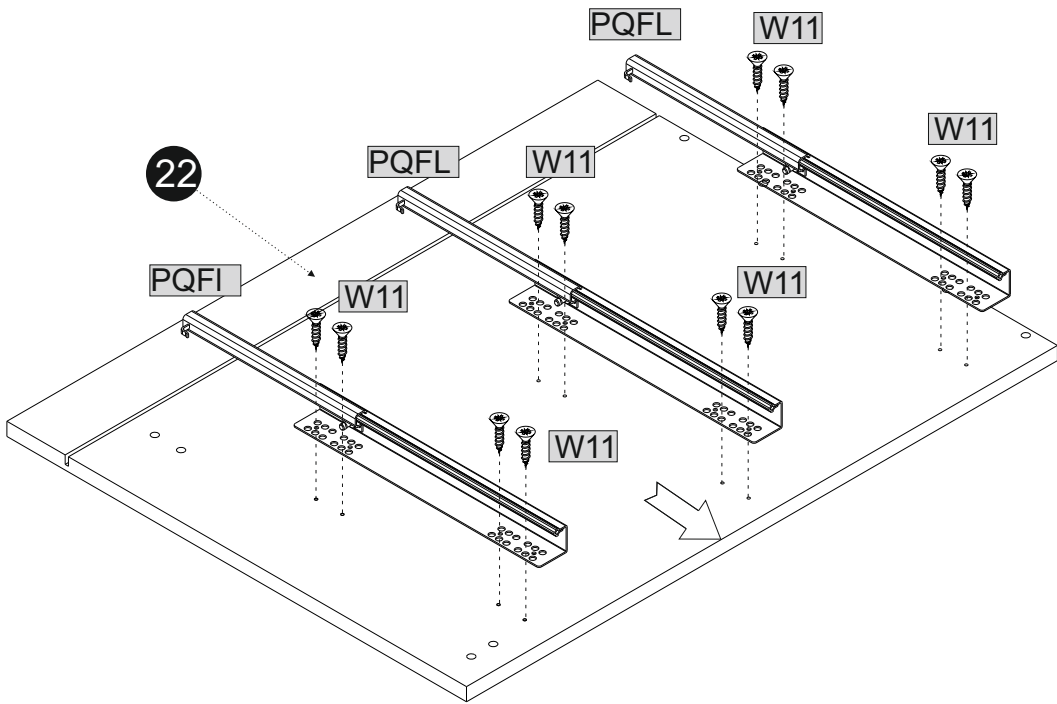


			
ZS1	3	KT1	8
			
		W2	3

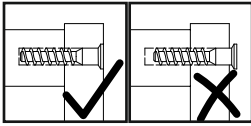
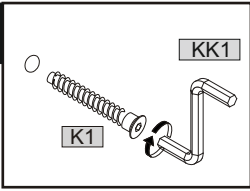




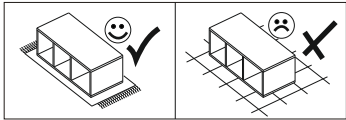
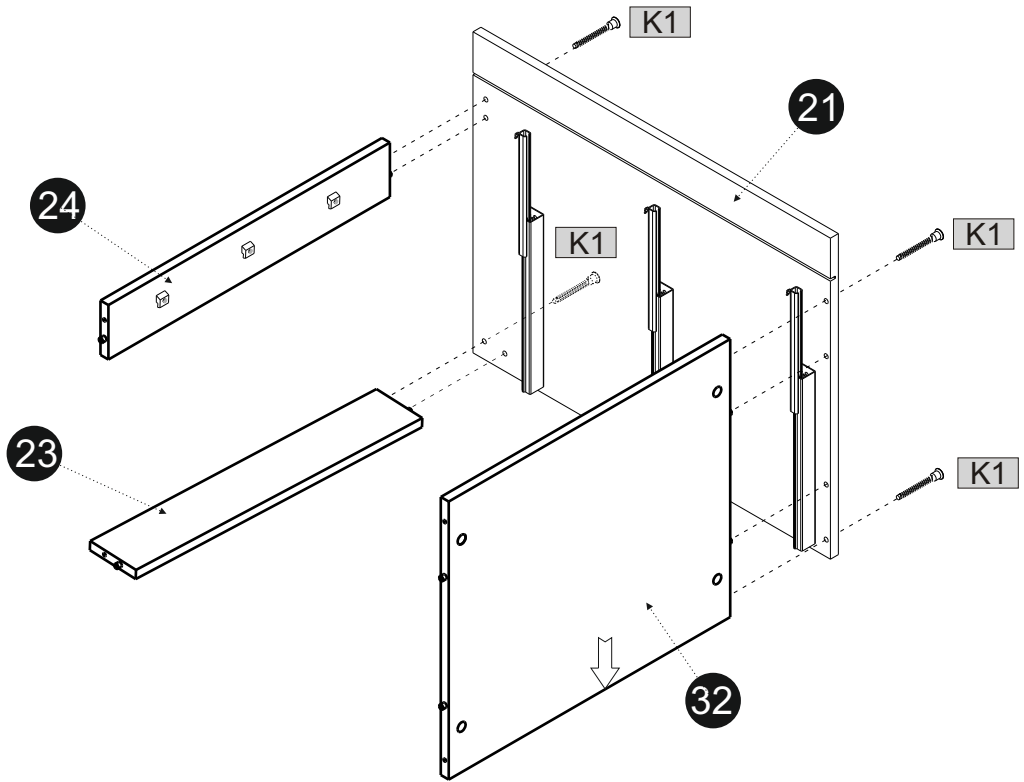
	3,5x16
W11	24
	L-450
PQFL	3
	L-450
PQFR	3



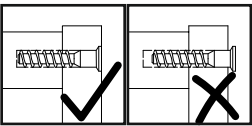
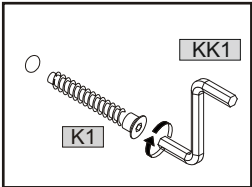
03



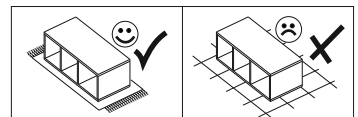
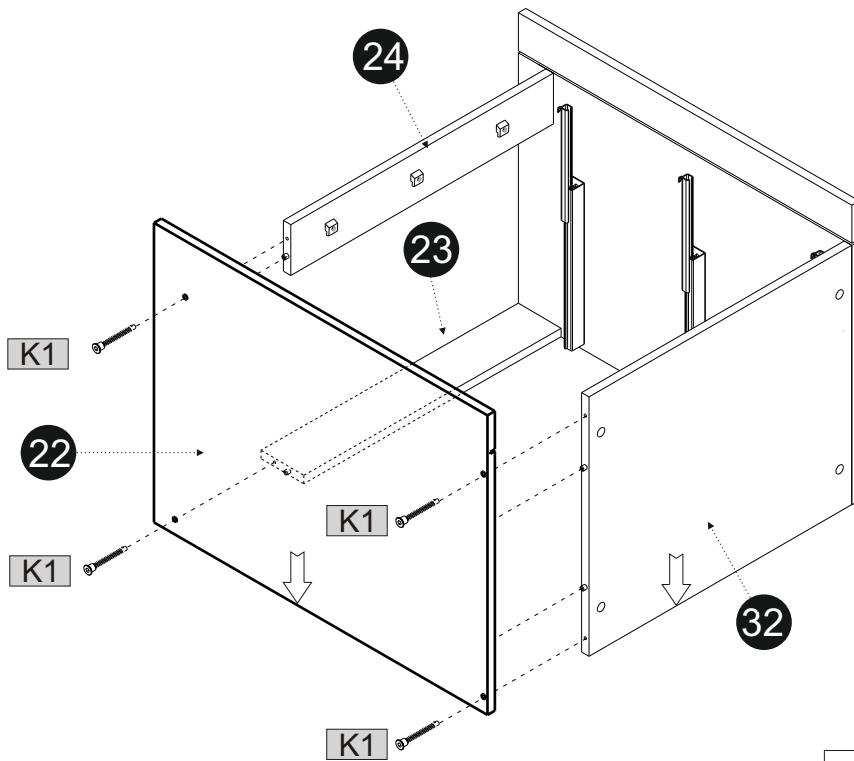
7x50			
K1	4	KK1	1



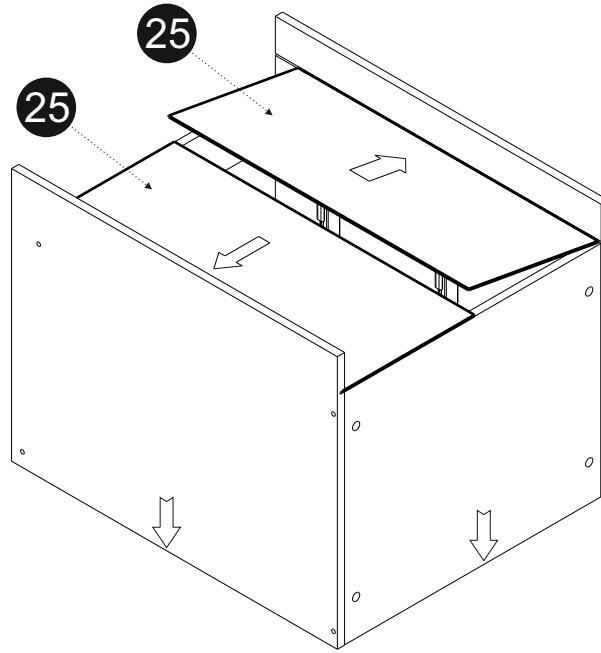
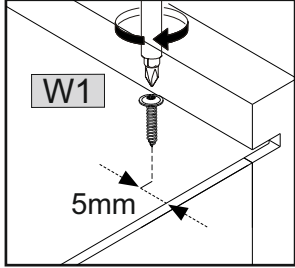
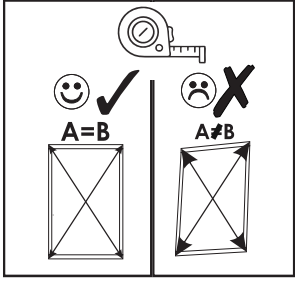
04






7x50			
K1	4	KK1	1

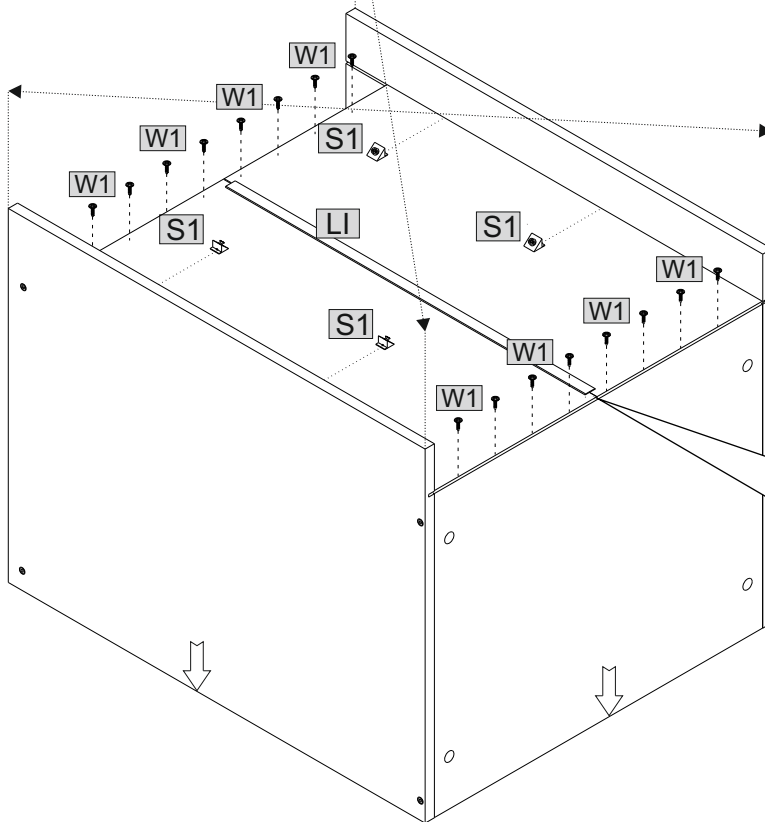


05

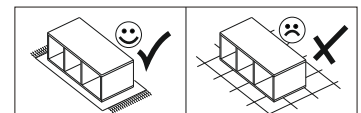
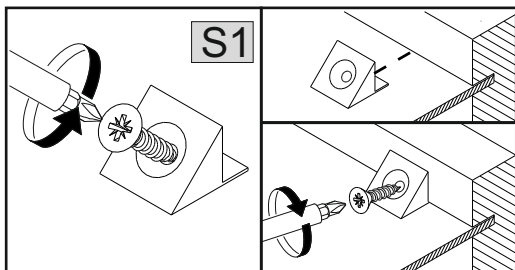
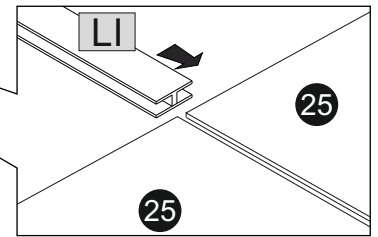


	3x16
W1	16
	
S1	4
	
LI	1

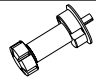

A

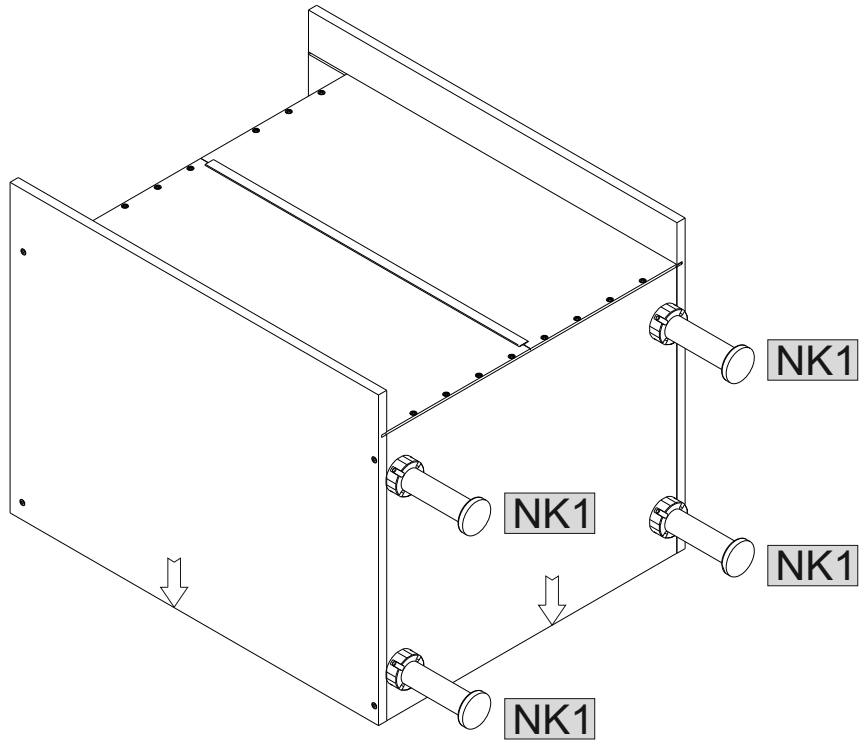
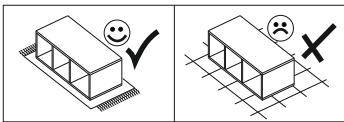
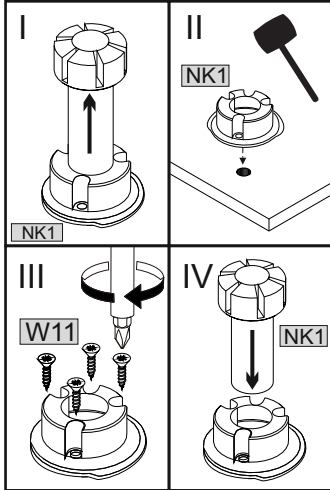
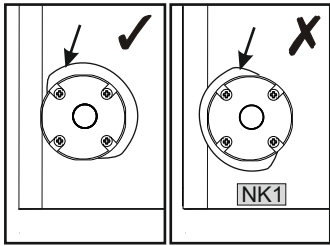


B





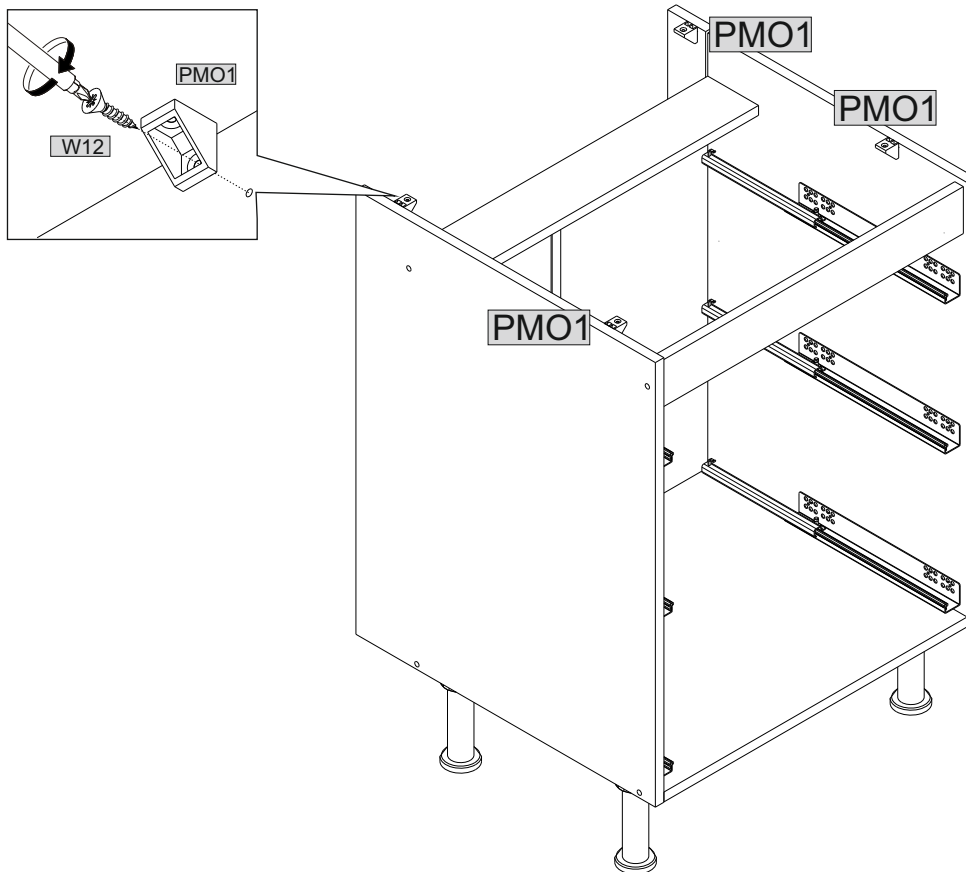
06

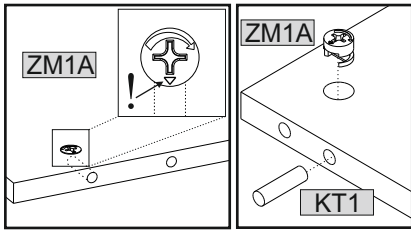
			3,5x16
NK1	4	W11	16





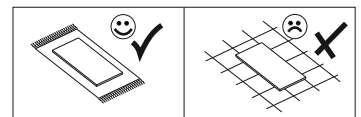
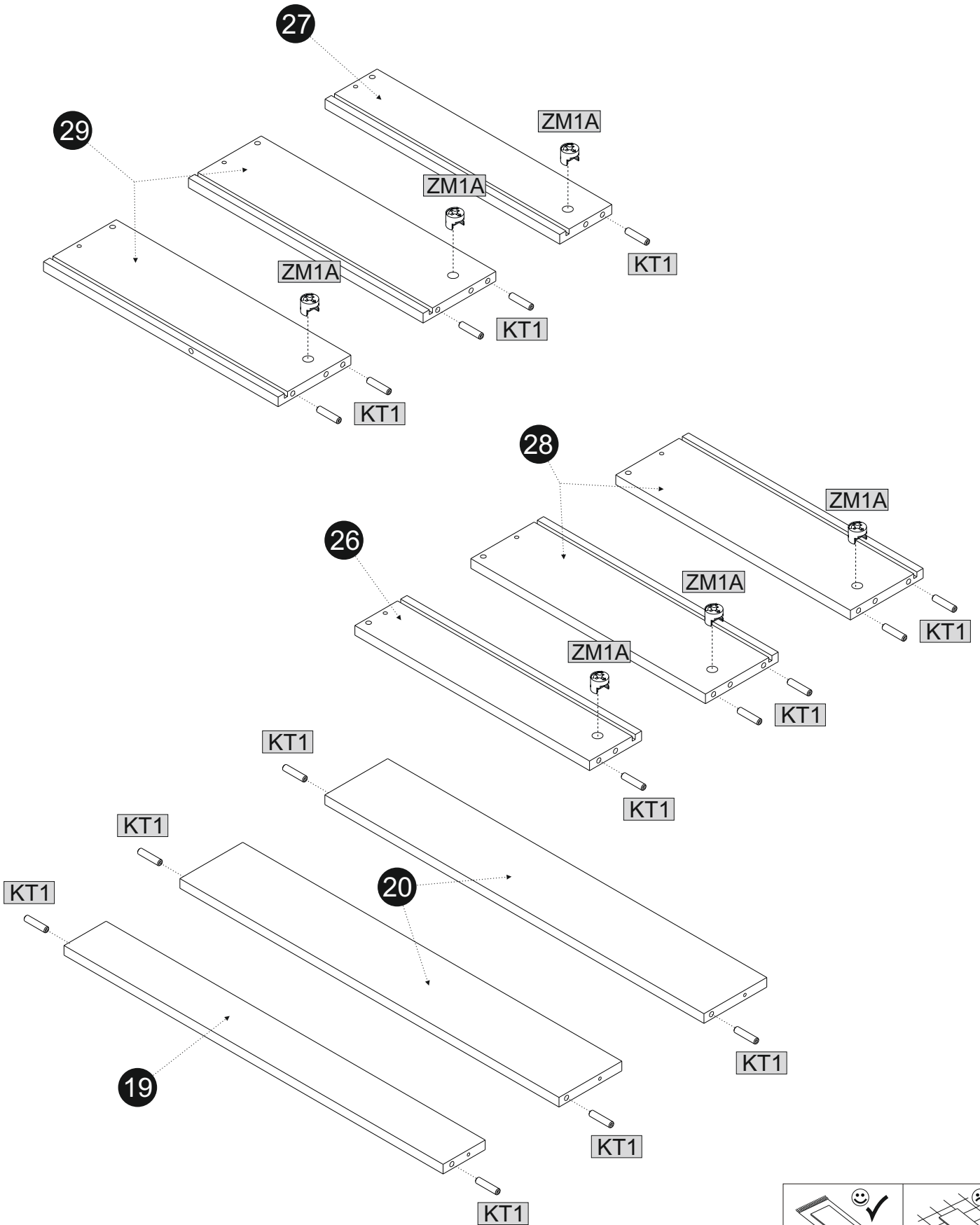
07

			4x16
PMO1	4	W12	4

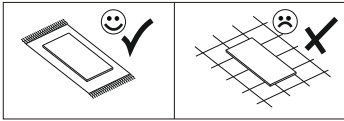
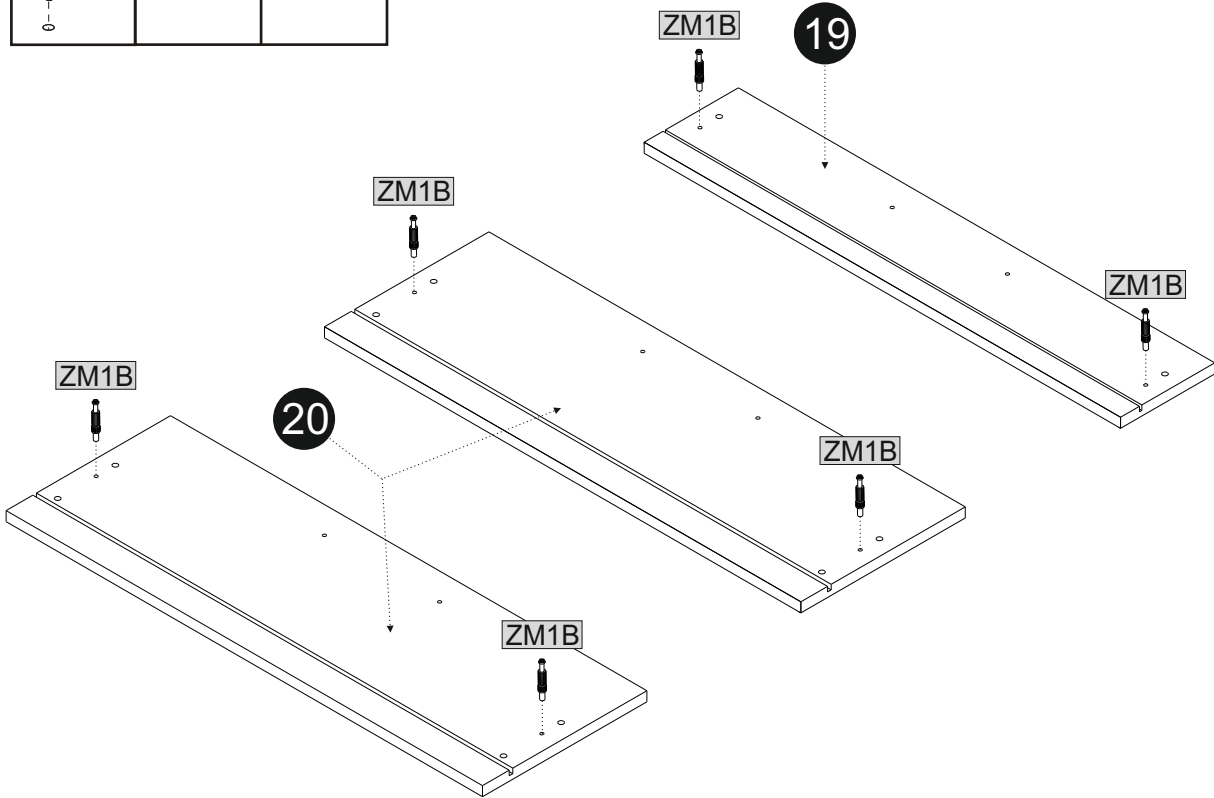
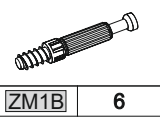
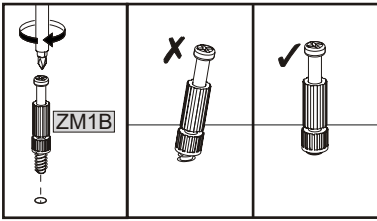




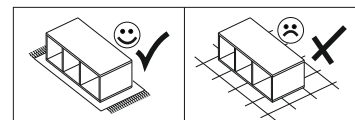
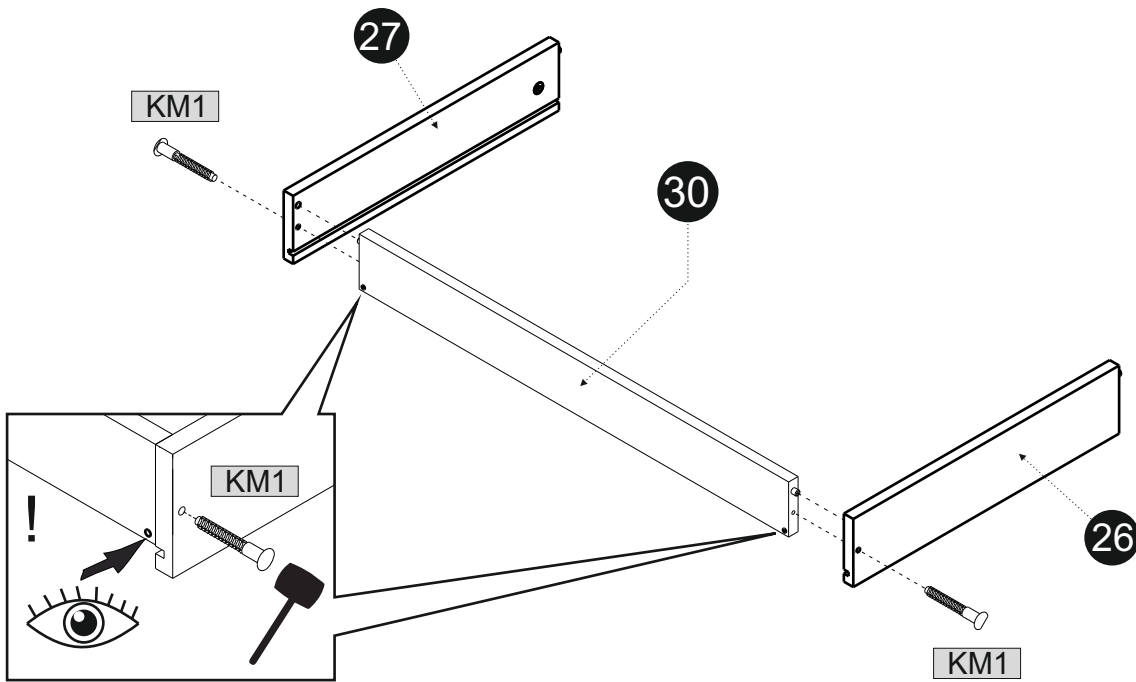
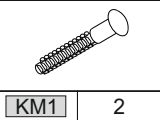
	
Ø8x40	
KT1	16
	
ZM1A	6



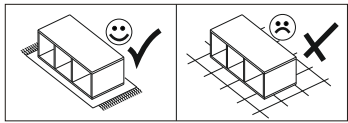
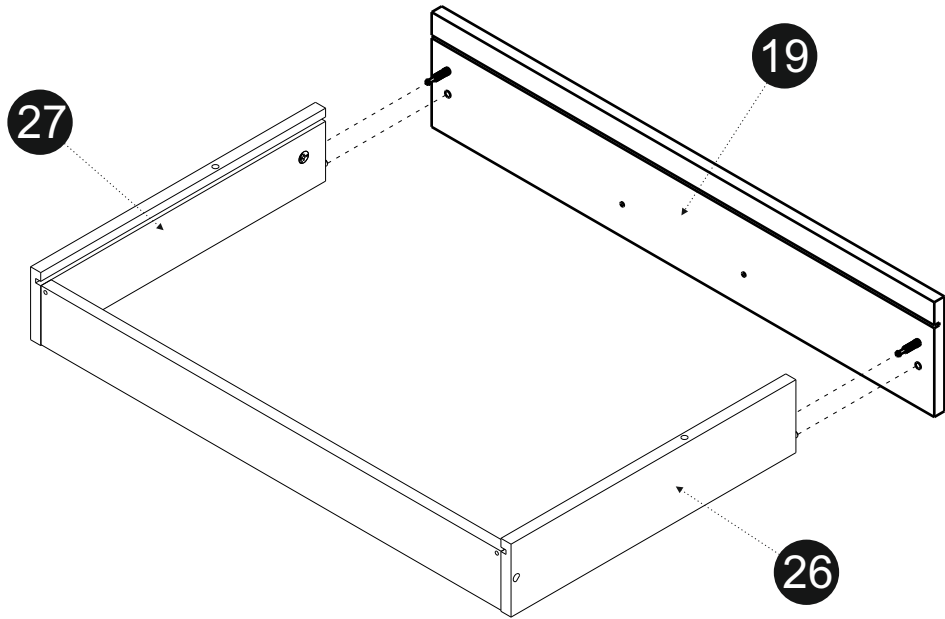
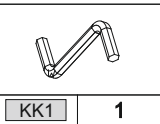
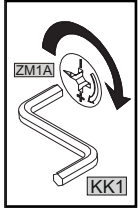
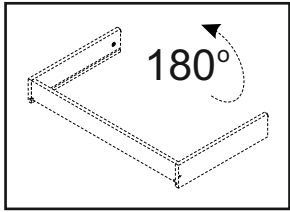
09



10

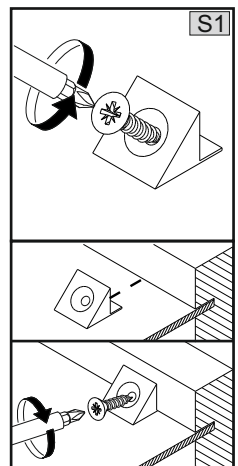
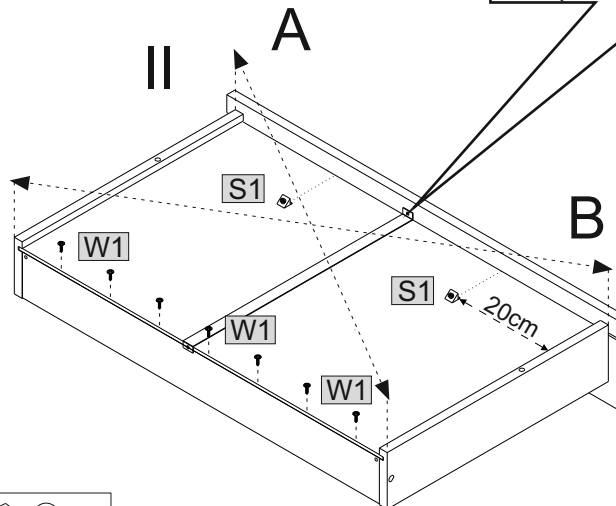
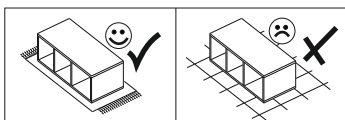
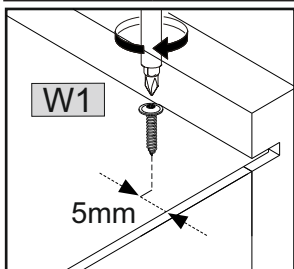
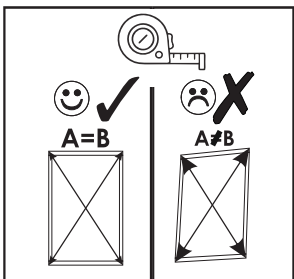
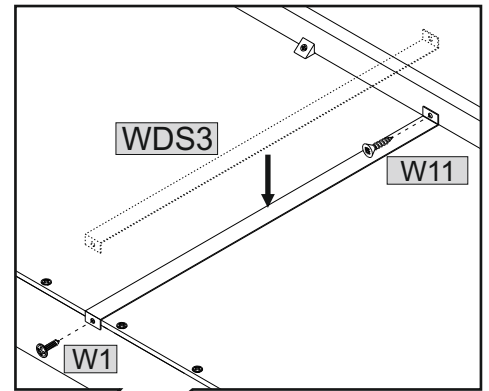
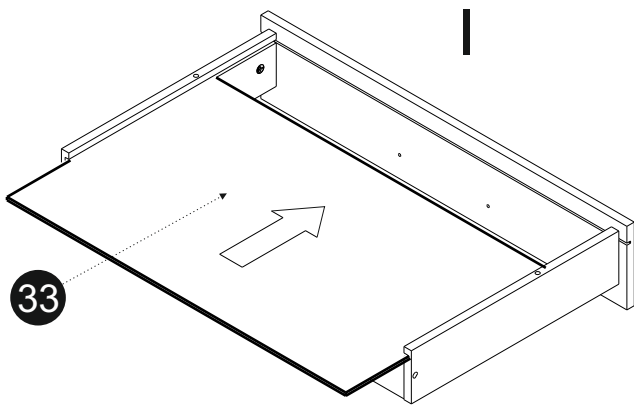


11



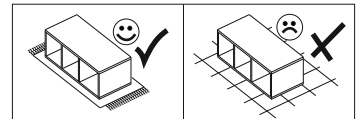
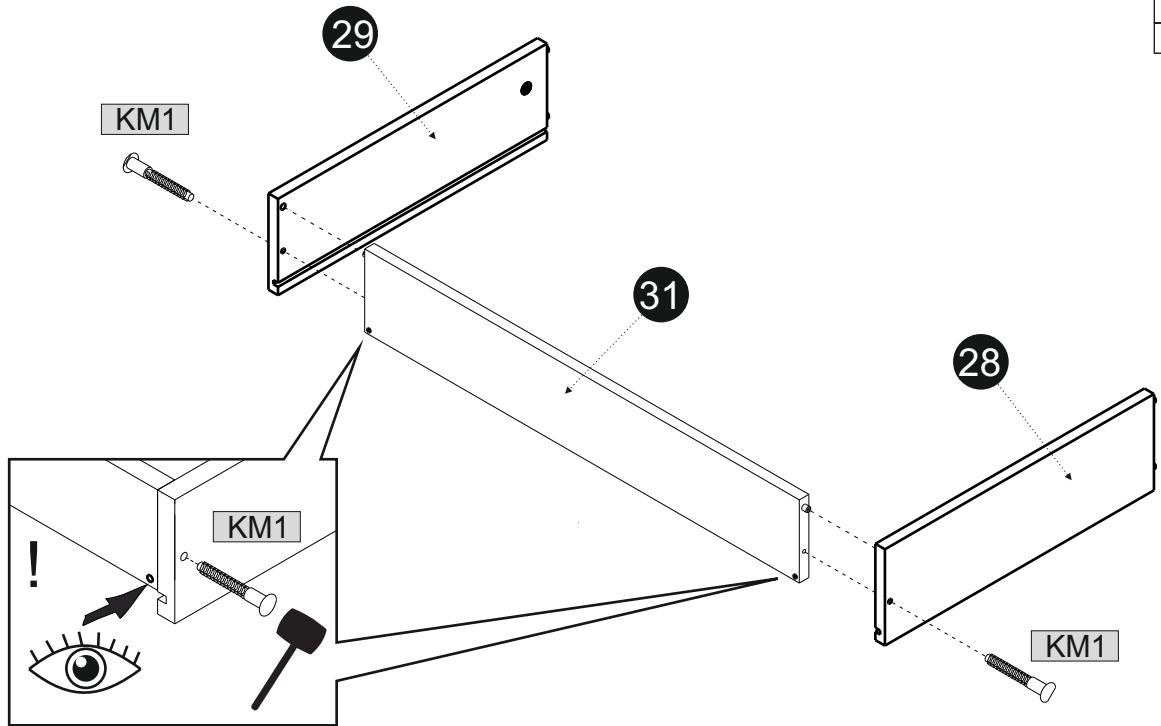
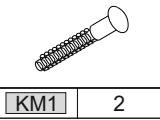
12

	3,5x16						3x16
W11	1	WDS3	1	S1	2	W1	8



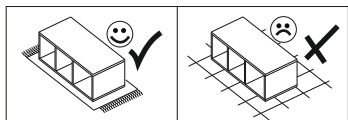
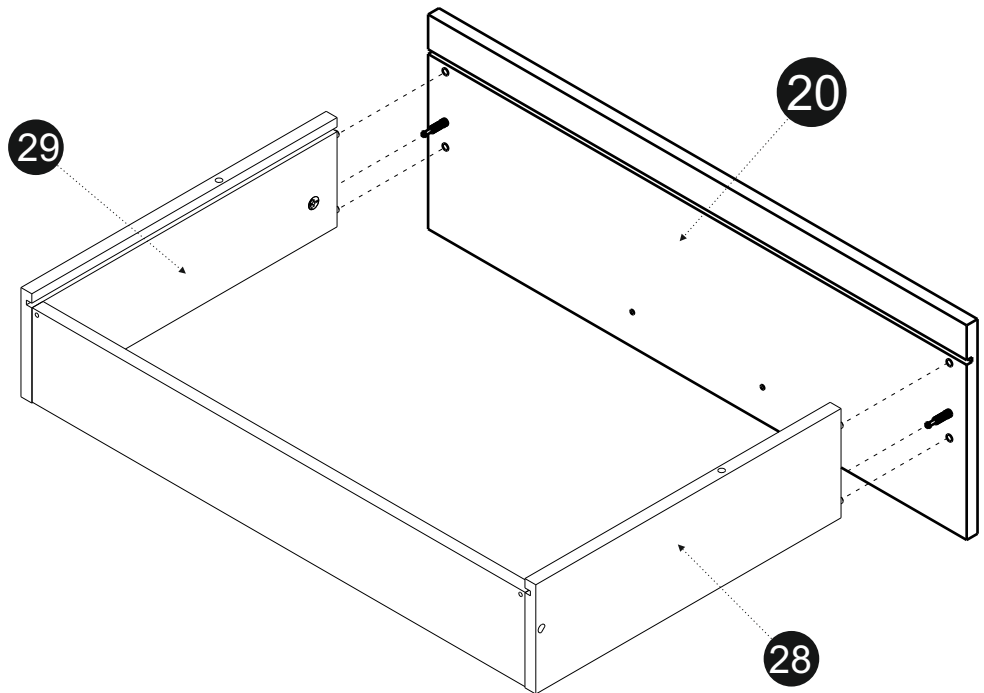
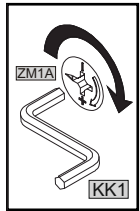
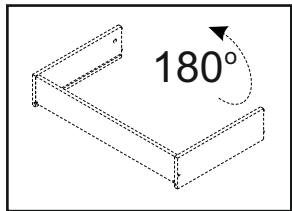
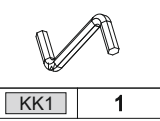
13

2x



14

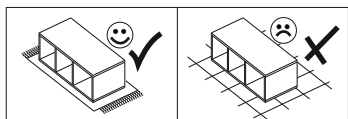
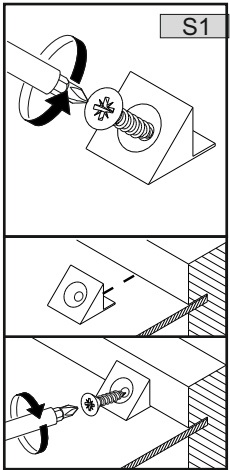
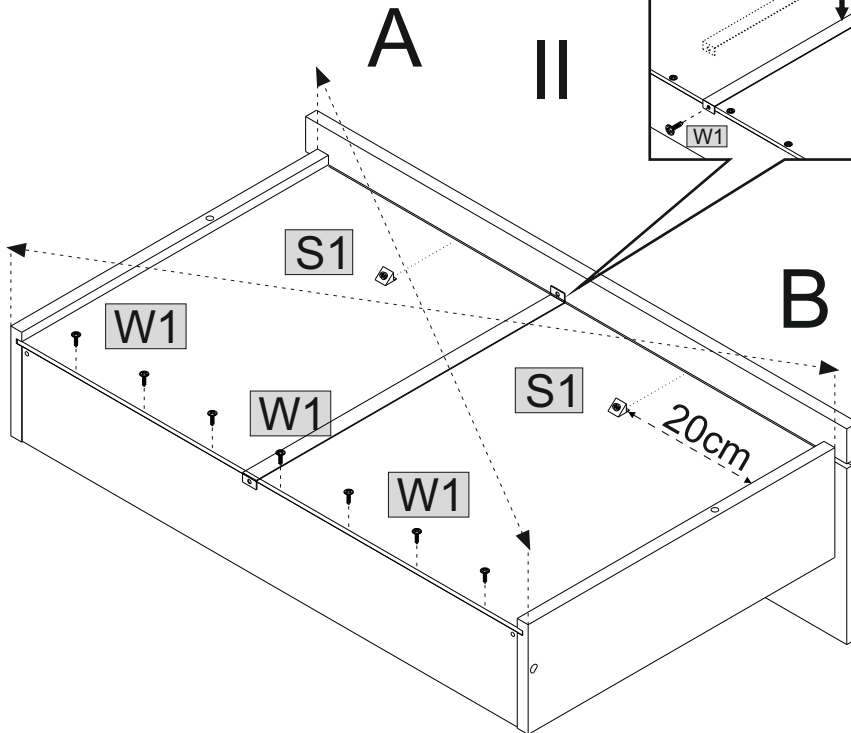
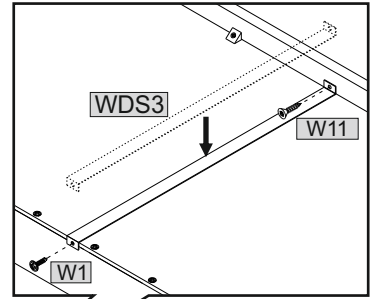
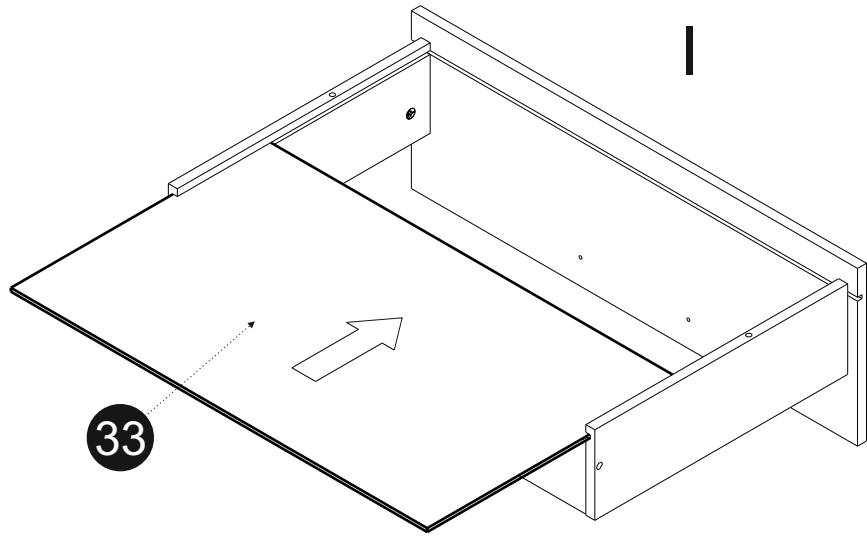
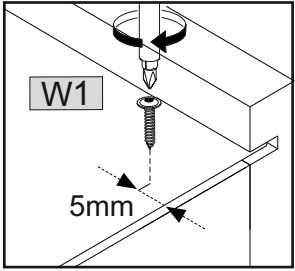
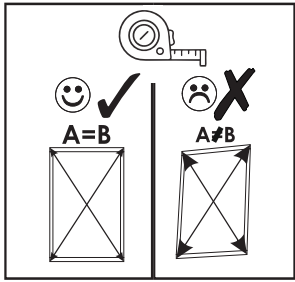
2x


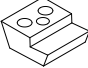


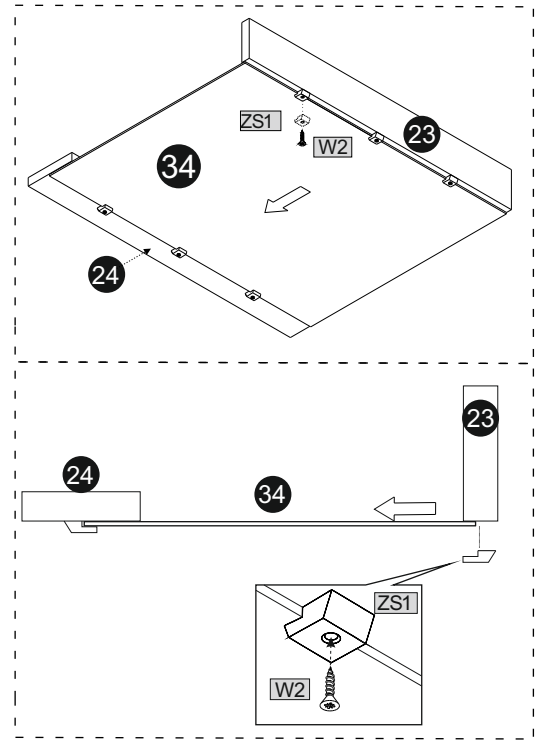
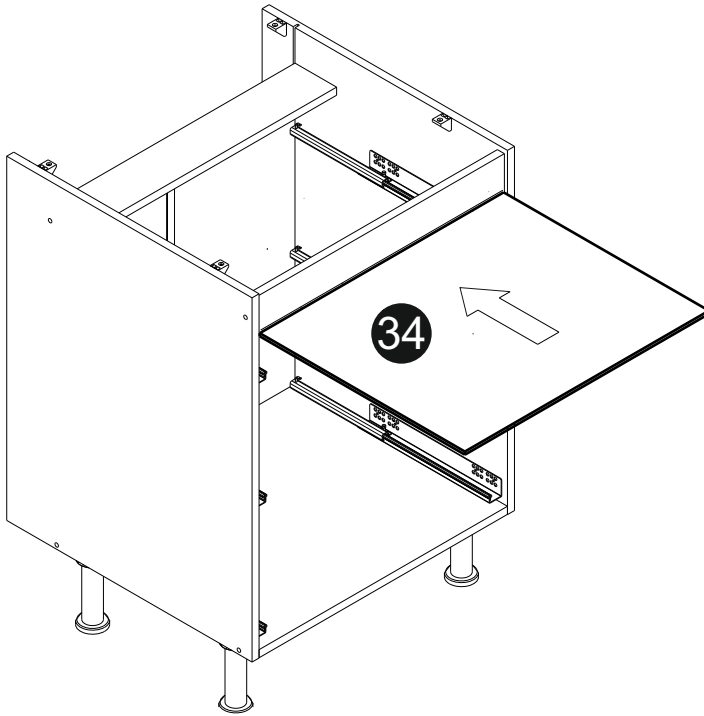
15




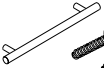
2x

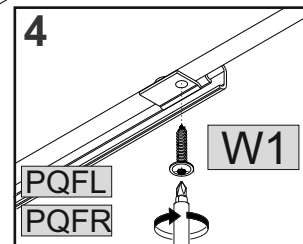
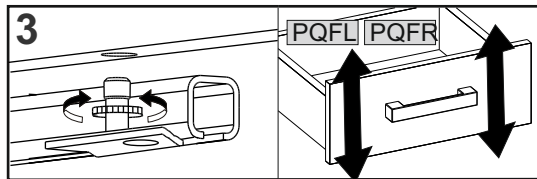
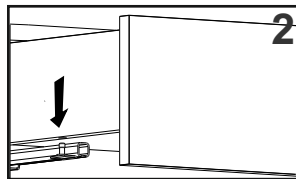
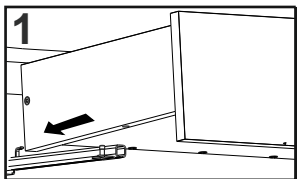
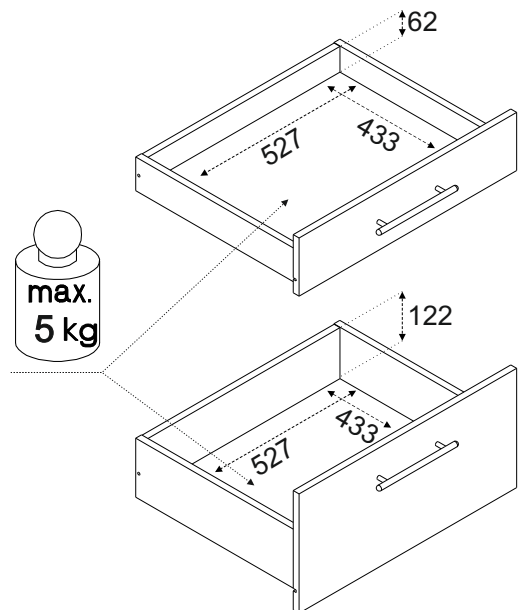
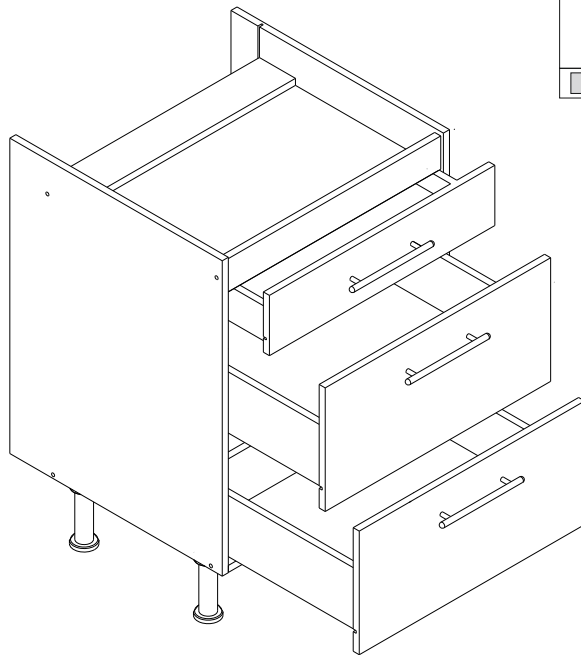
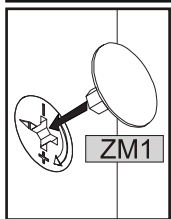
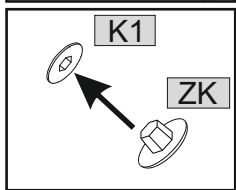
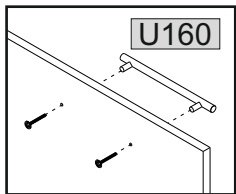
	3.5x16				3x16		
W11	1	WDS3	1	W1	8	S1	2






	3x20		
W2	3	ZS1	3

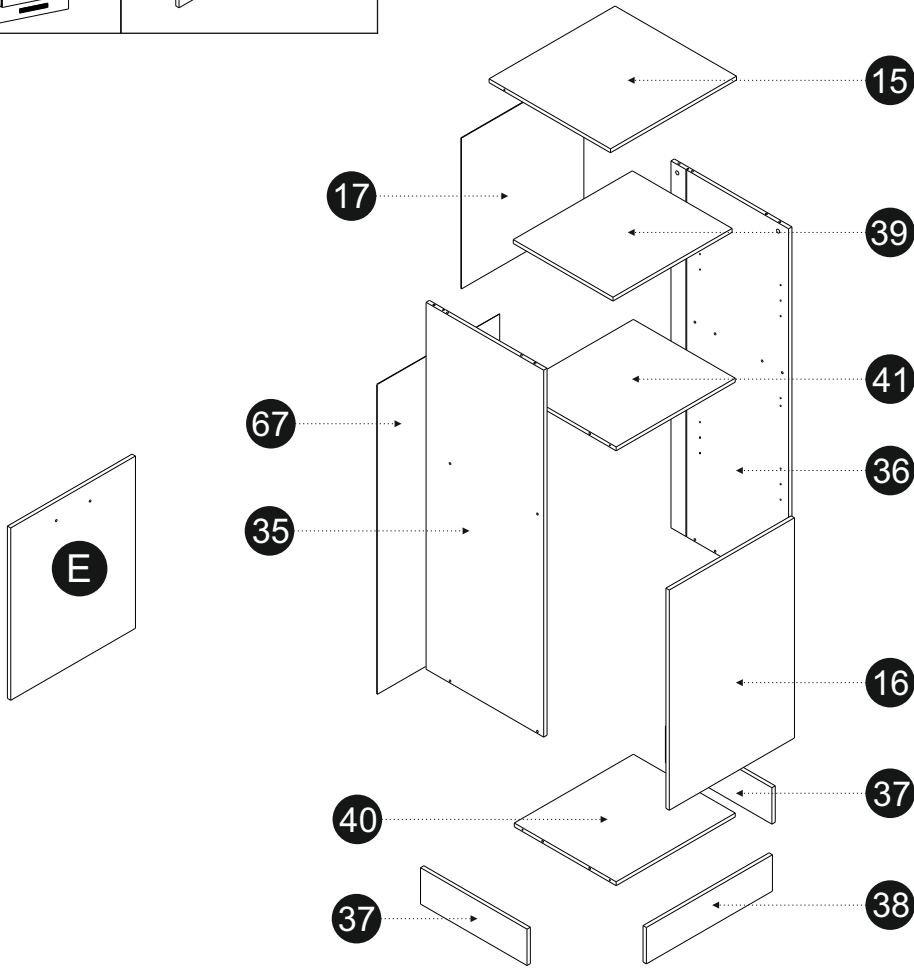
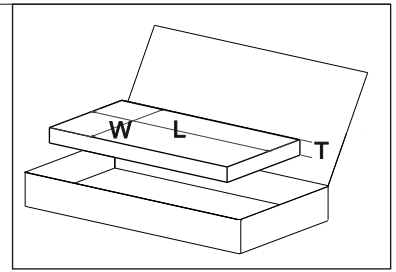
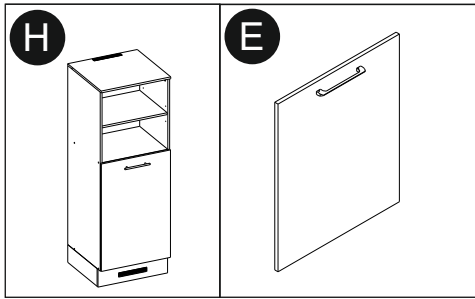


	3x16						
W1	6	ZM1	6	ZK	8	U160	3

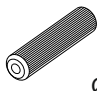
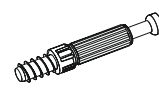
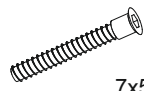
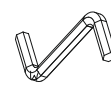

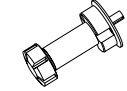


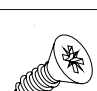
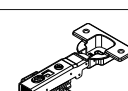
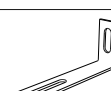
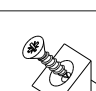
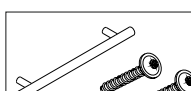



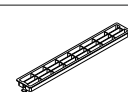
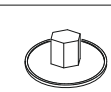
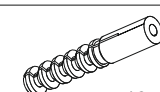
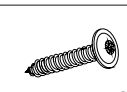


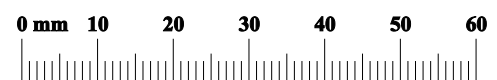
64/66

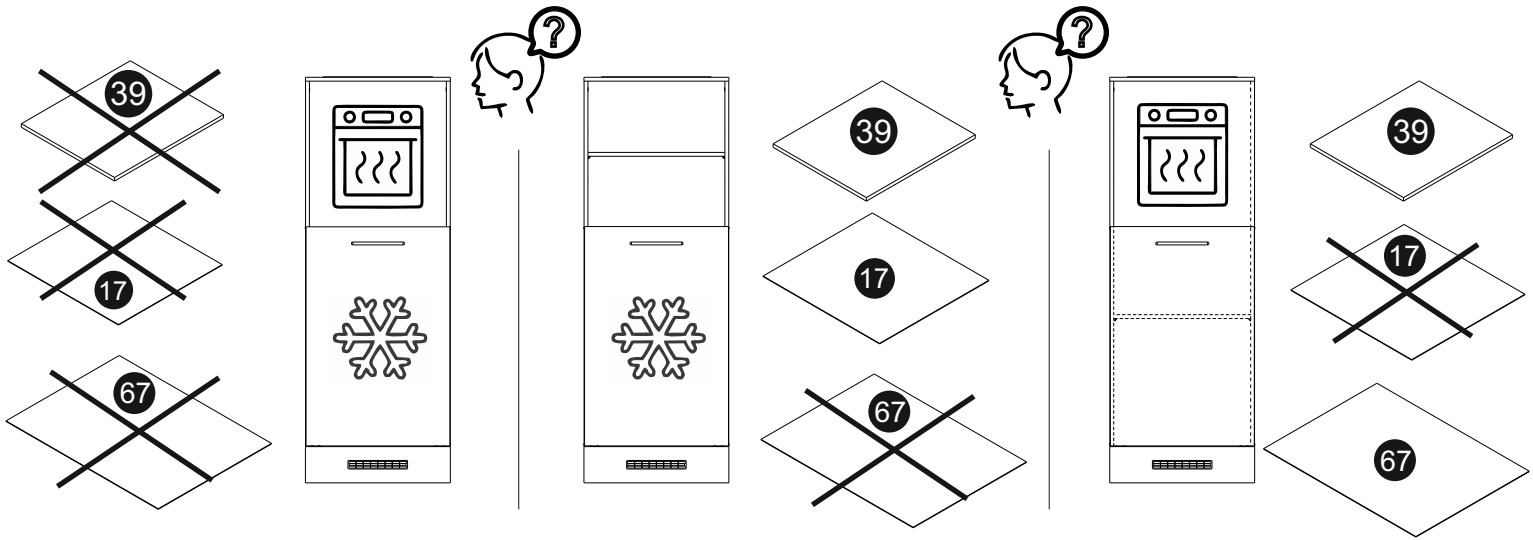
	3,5x16				4x25
W11	4	KN1	2	W14	4



4/7				
	L [mm]	W [mm]	T [mm]	
35	1513	560	16	x1
36	1513	560	16	x1
37	507	150	16	x2
38	600	150	16	x1
39	567	475	16	x1
40	567	485	16	x1
41	567	485	16	x1
2/7				
	L [mm]	W [mm]	T [mm]	
15	600	578	16	x1
16	908	596	16	x1
17	622	584	3	x1
E	713	596	16	x1
67	908	584	3	x1

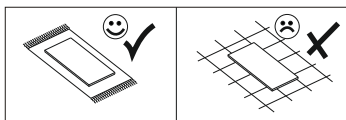
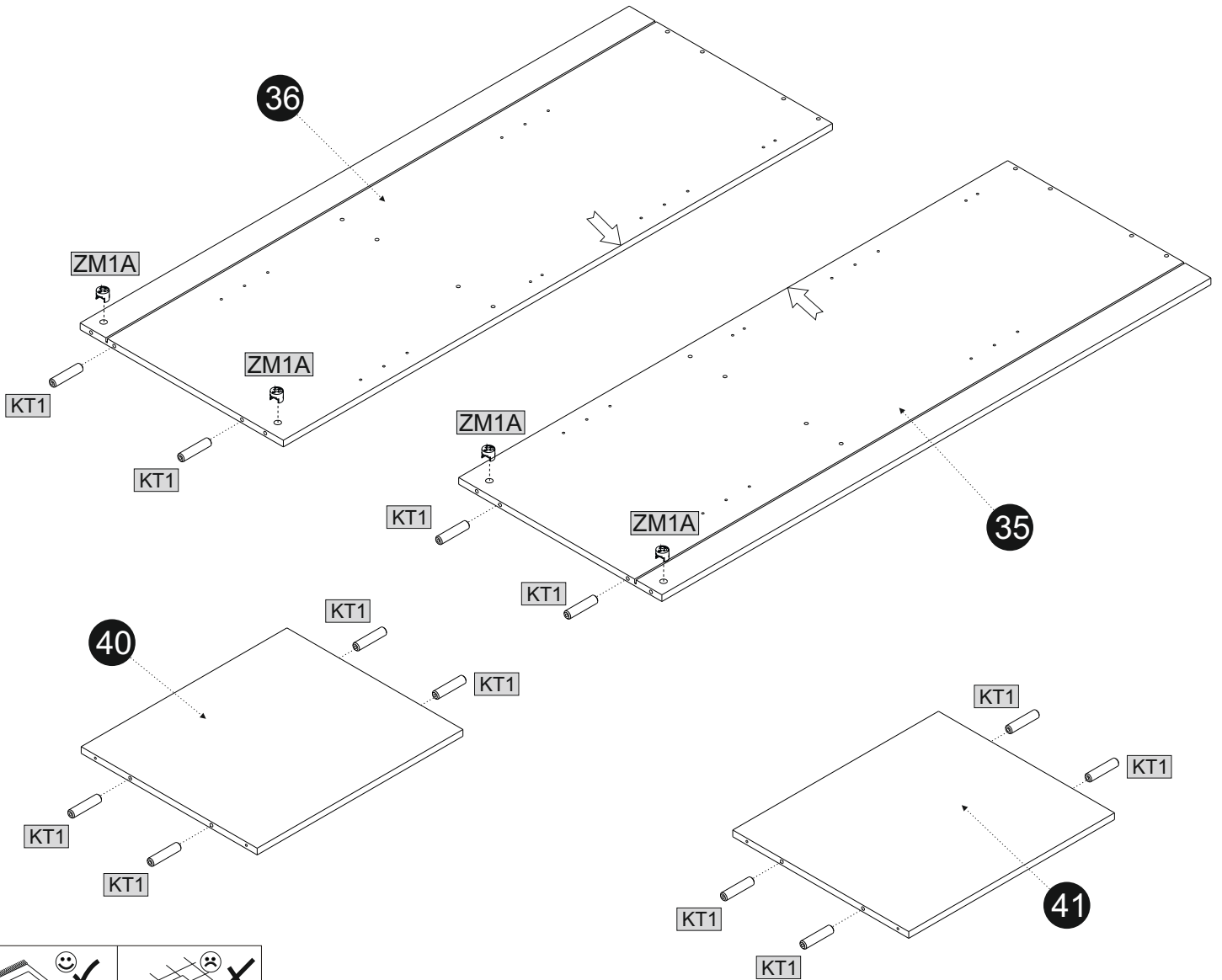
 Ø8x35 KT1 12	 ZM1B 4	 7x50 K1 8	 KK1 1	 3x16 W1 10	 NK1 4	 3,5x16 W11 32
 ZM1A 4	 4x13 W4 4	 ZPH 2	 KS1 2	 S1 4	 U160 1	 ZK 8
 PPN 4	 KN1 6	 KO1 2	 ZM1 4	 10x50 KRW1 2	 6x50 KRL1 2	



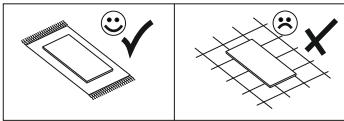
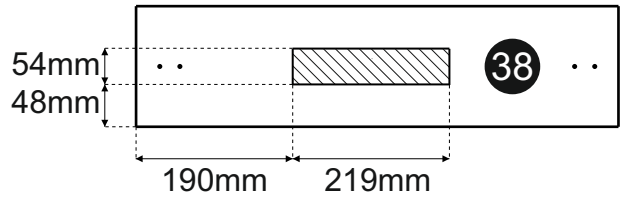
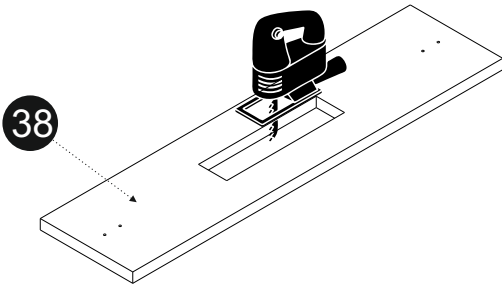
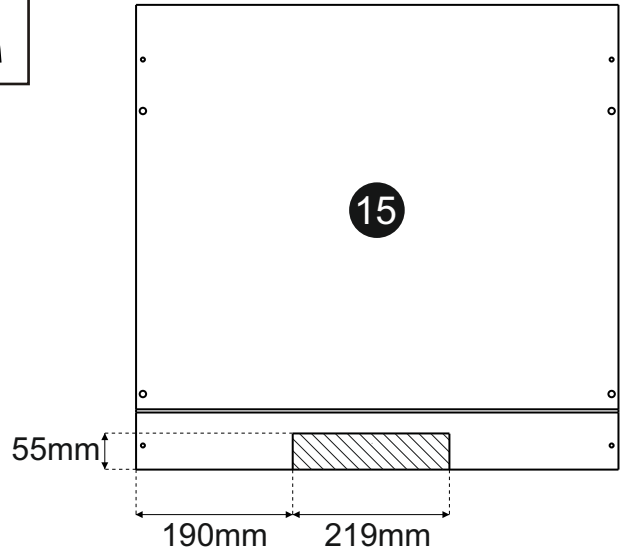
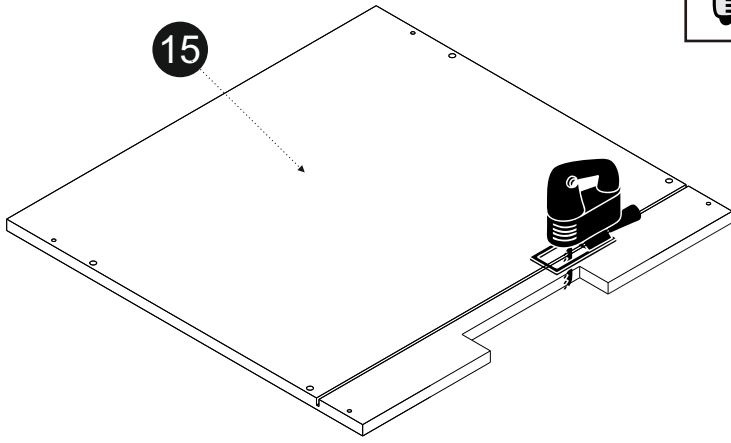


01

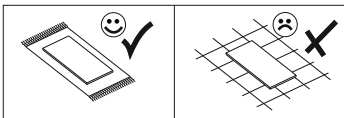
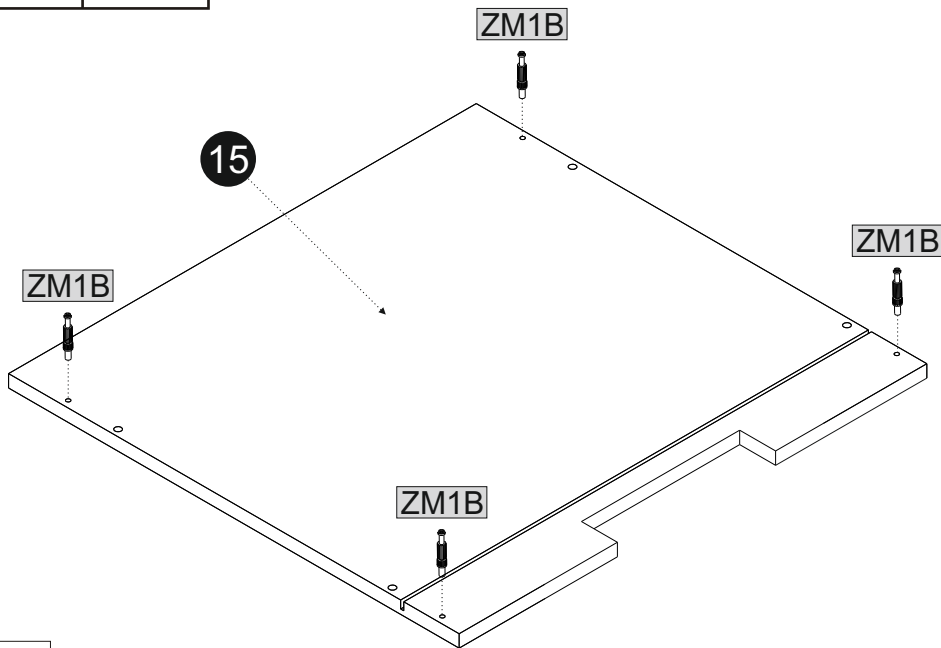
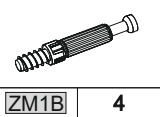
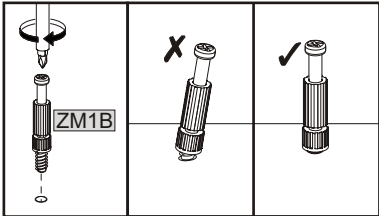
	Ø8x40
KT1	12
ZM1A	4



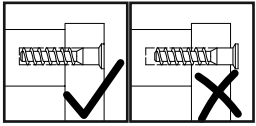
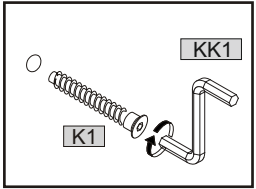
02





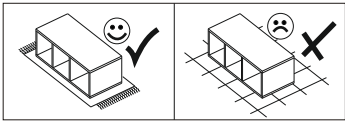
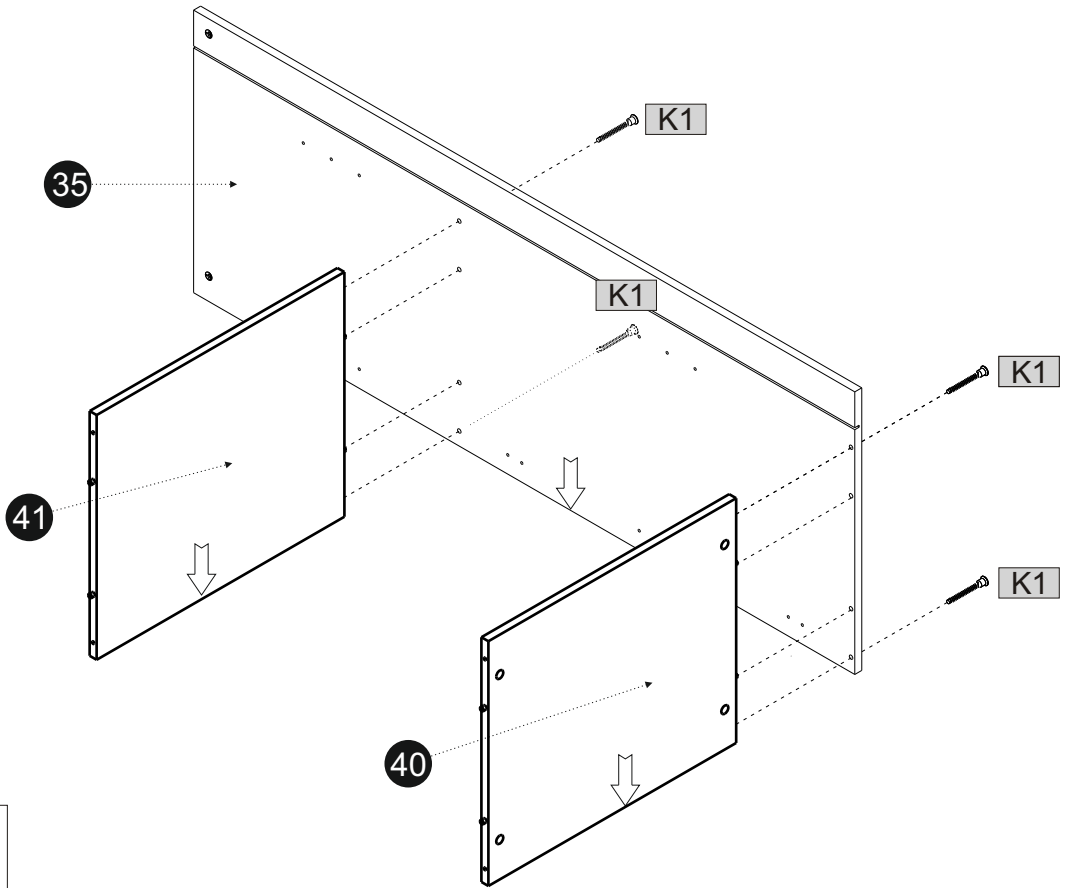
03



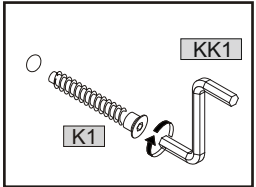
04


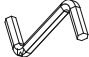


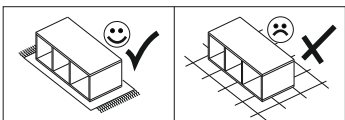
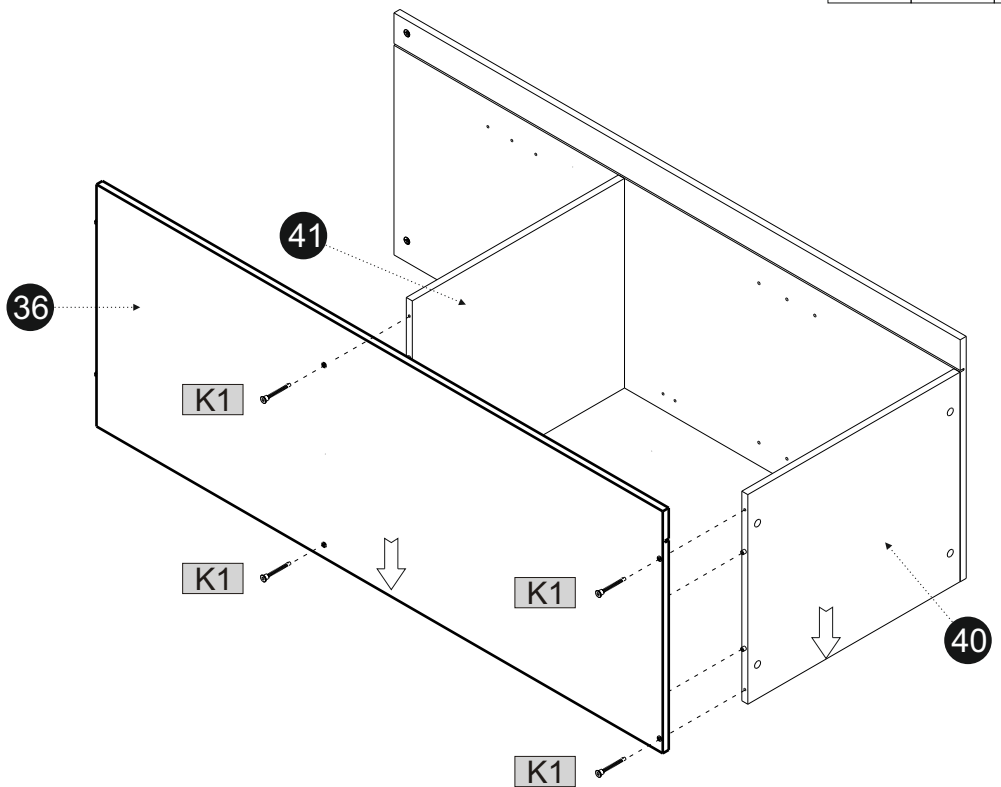
	7x50	
K1	4	KK1 1



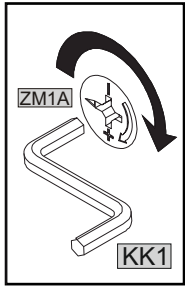
05



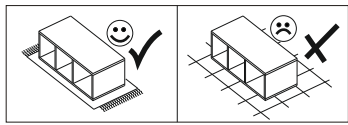
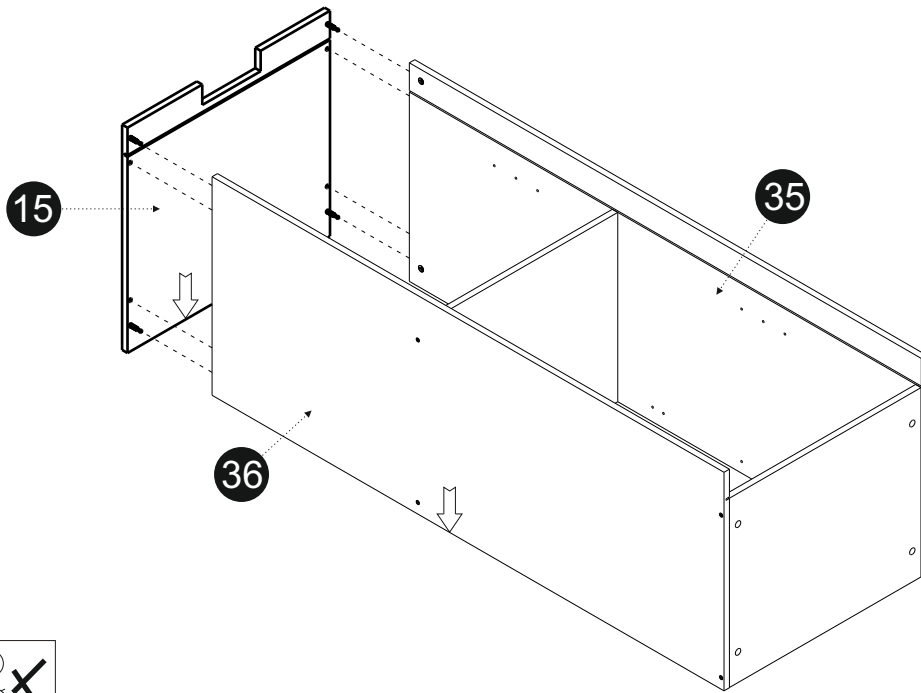
	7x50	
K1	4	KK1 1



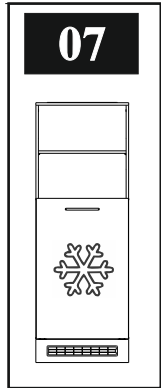
06



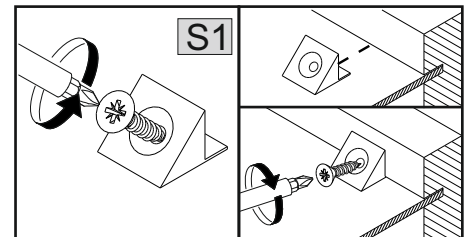
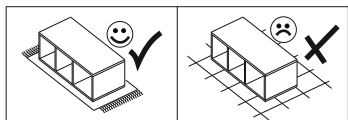
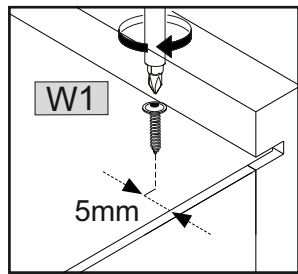
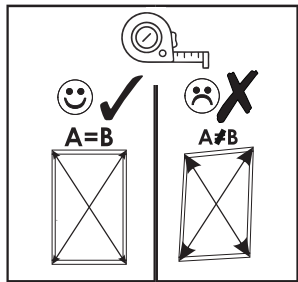
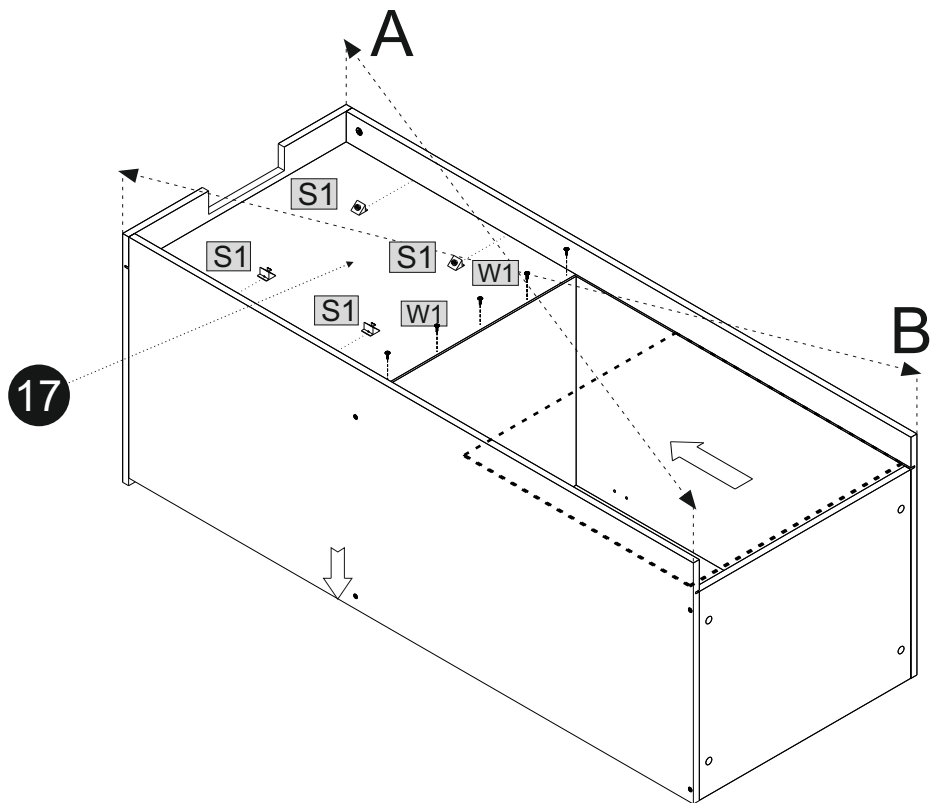
KK1	1



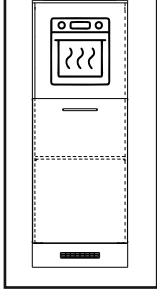
07





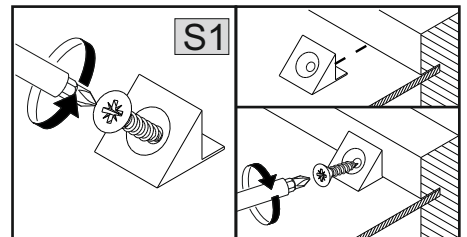
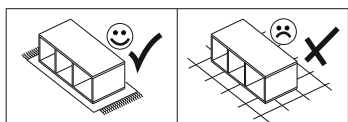
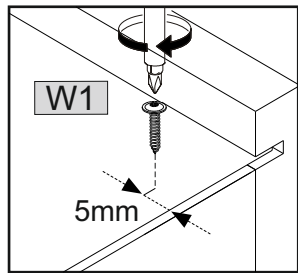
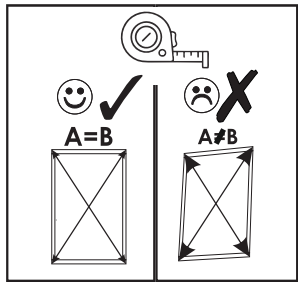
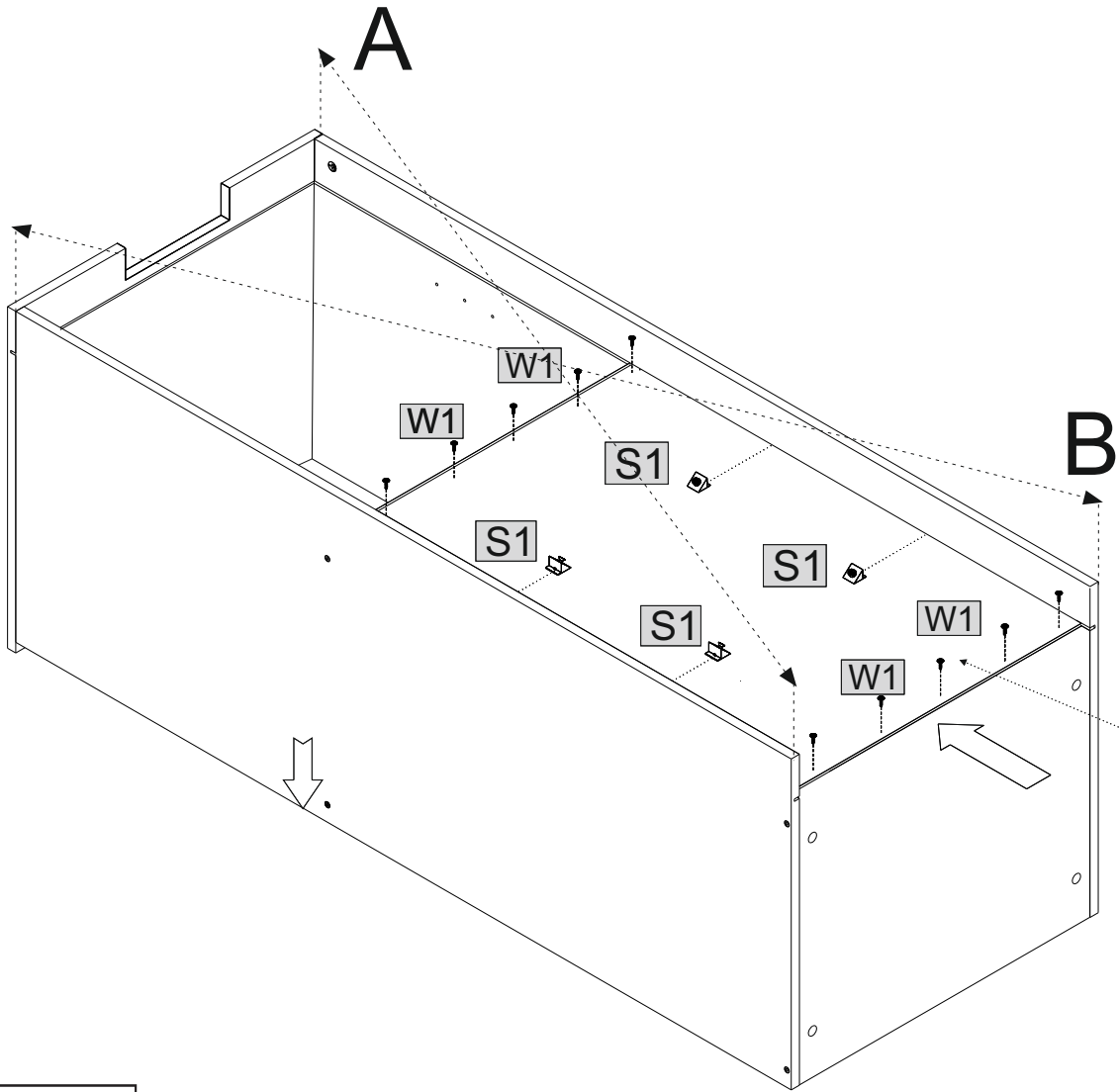
3x16	
W1	5
S1	4



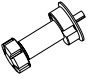

07

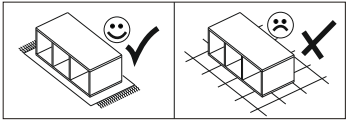
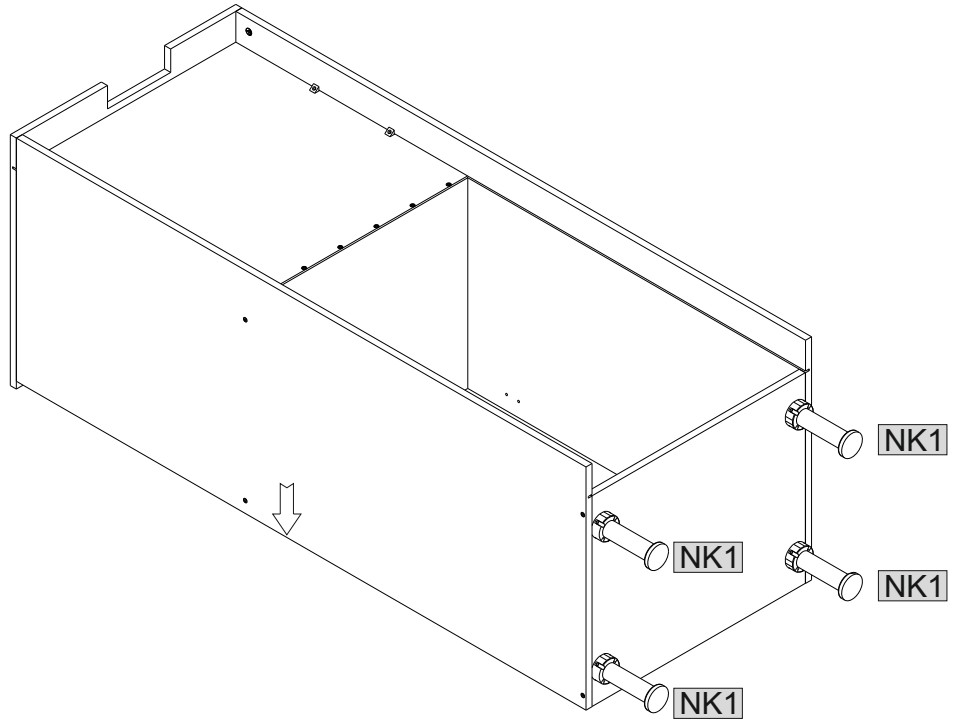
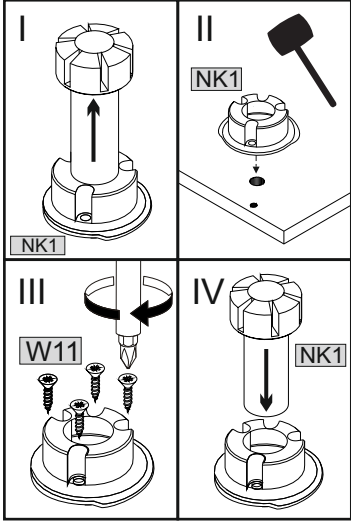
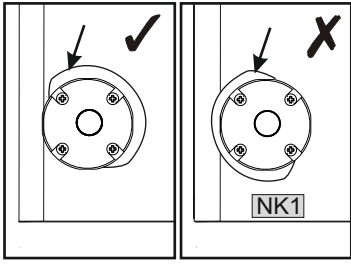


	
3x16	
W1	10
	
S1	4


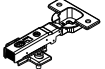


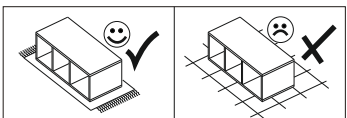
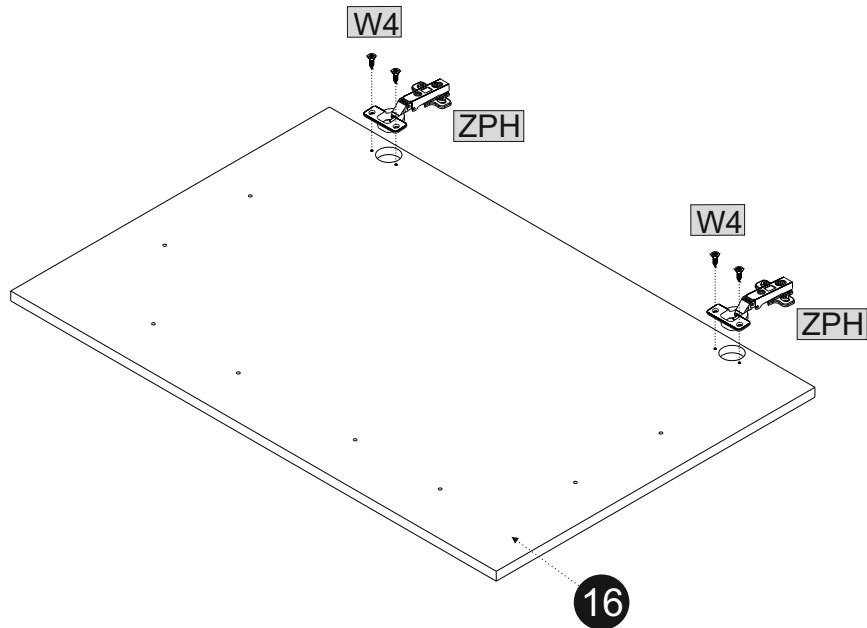
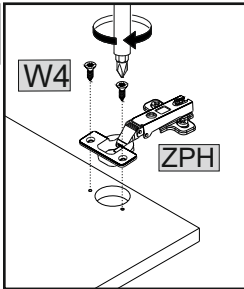
08

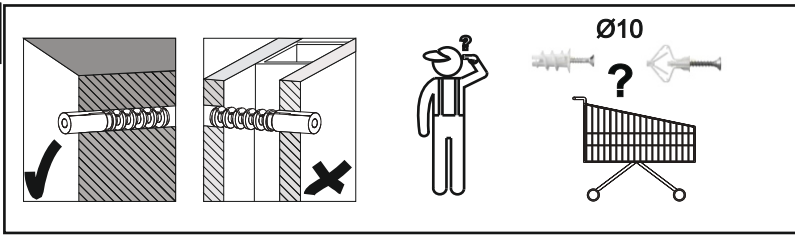
			3,5x16
NK1	4	W11	16



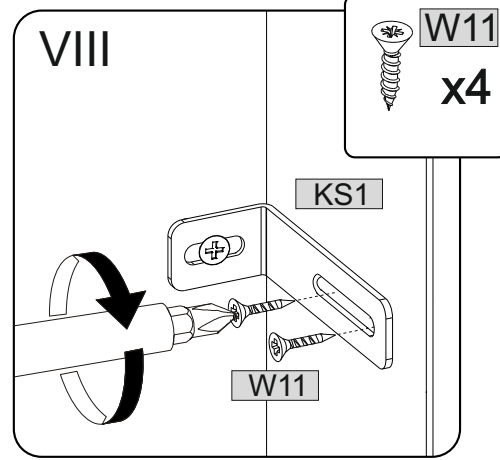
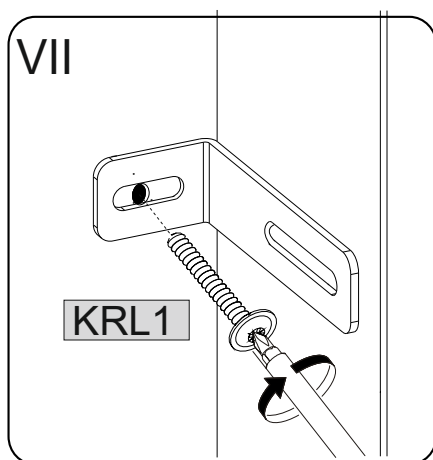
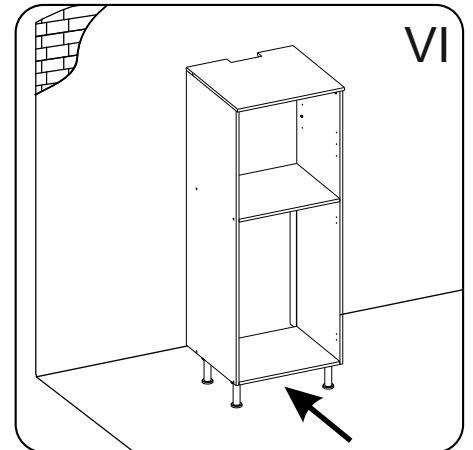
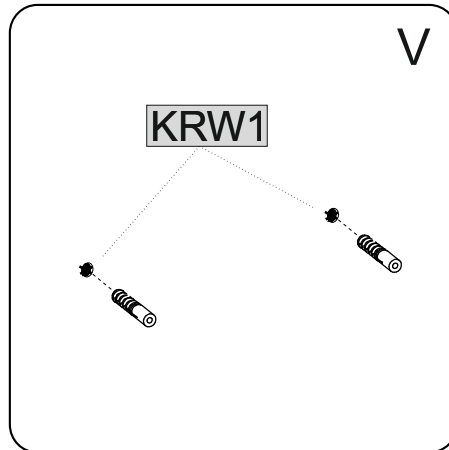
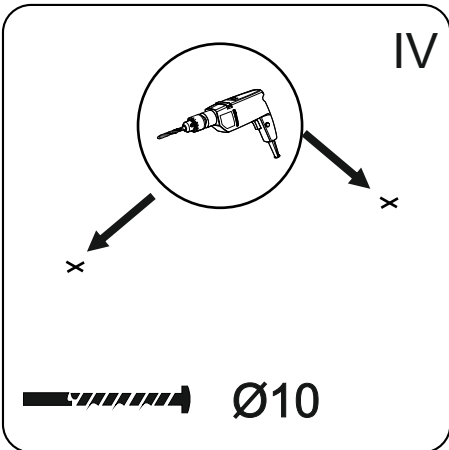
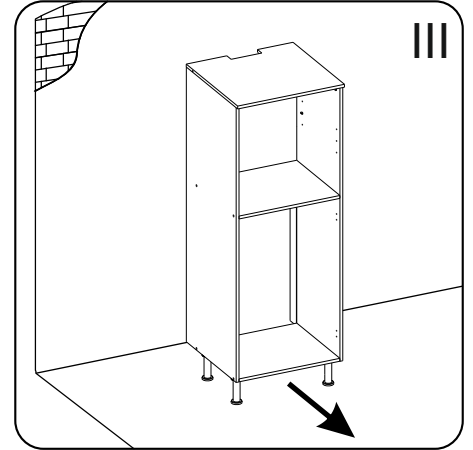
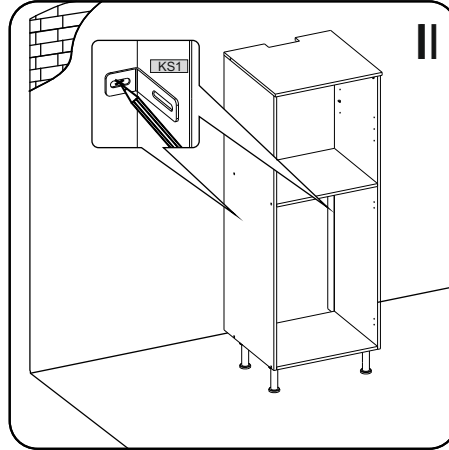
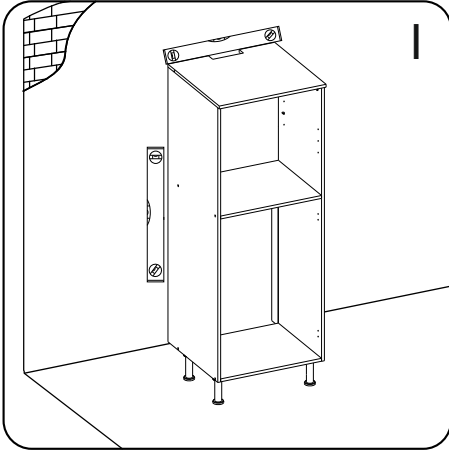
09

	4x13		
W4	4	ZPH	2

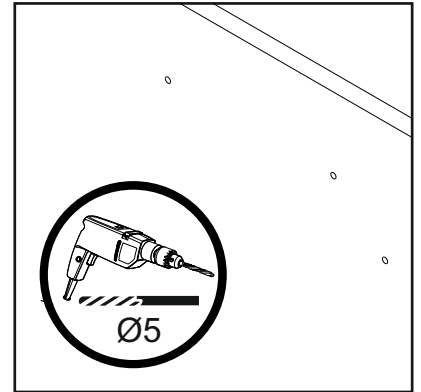
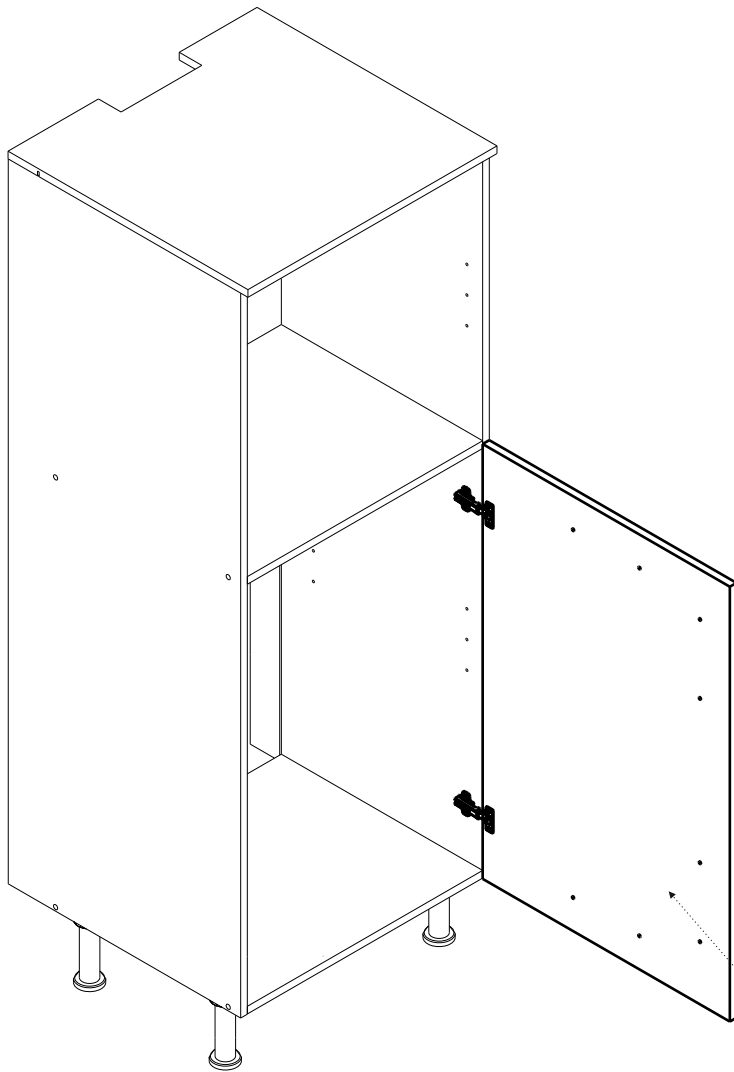
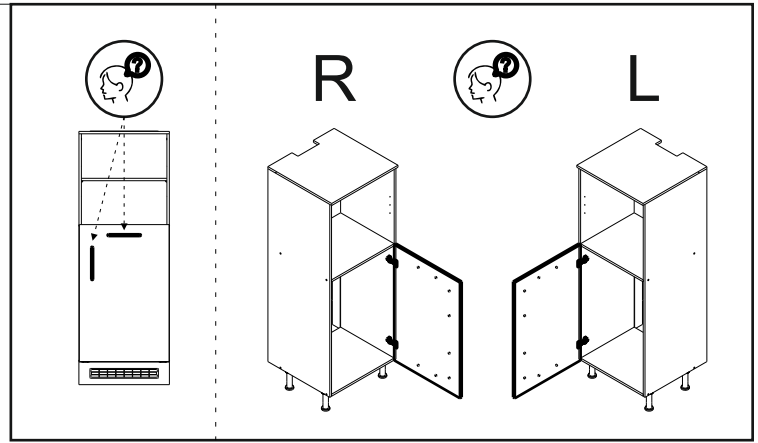
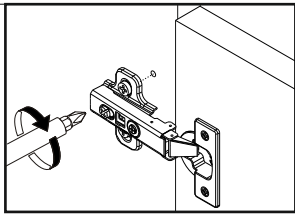
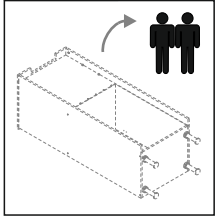


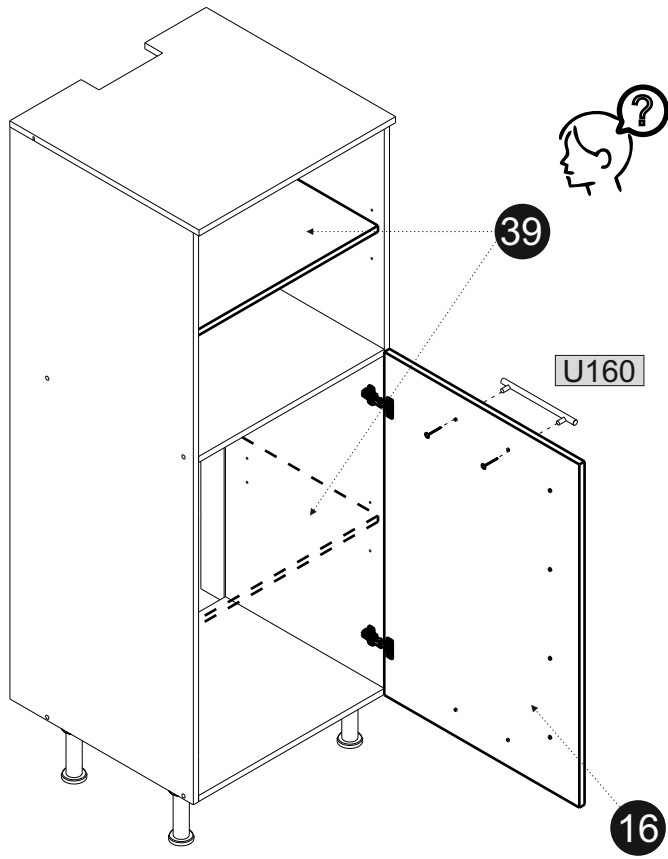
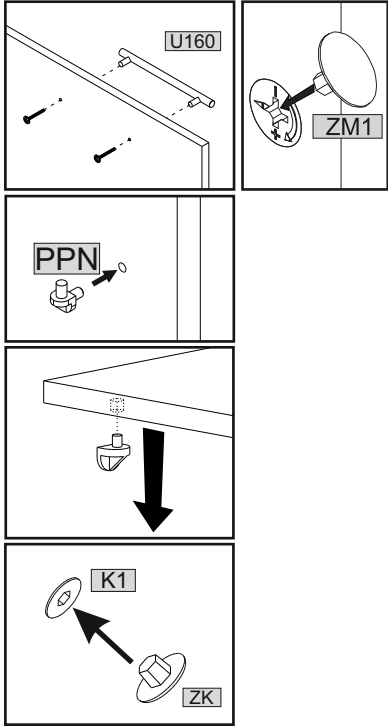


	10x50		3,5x16		
KRW1	2	W11	4	KS1	2
					6x50
				KRL1	2

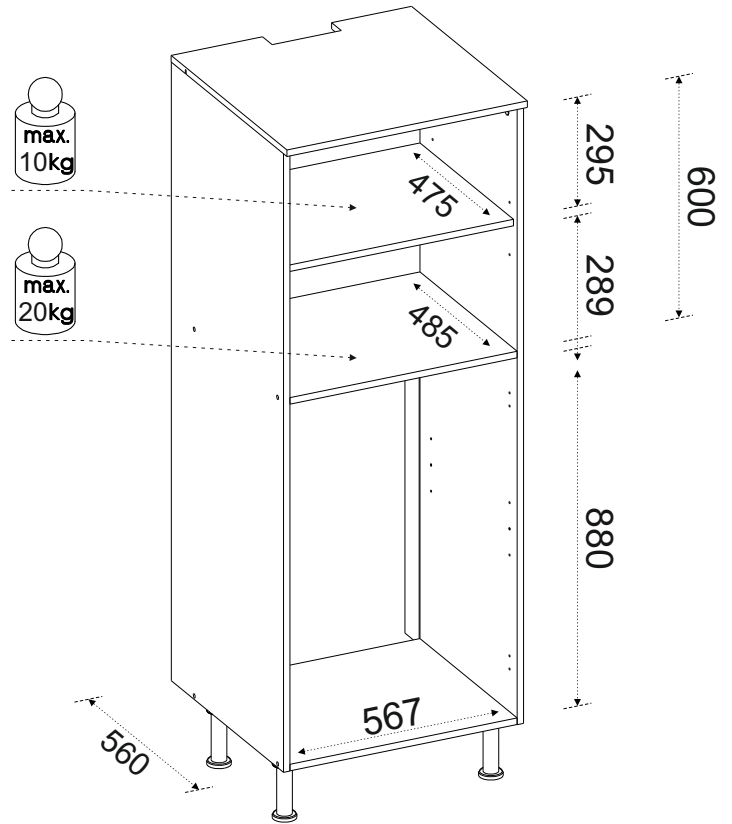
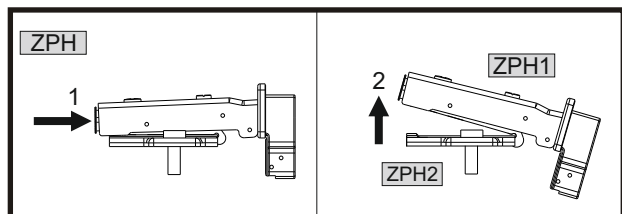
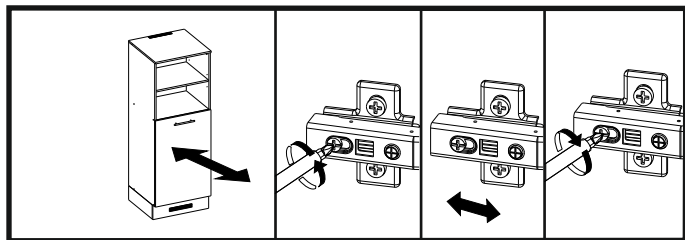
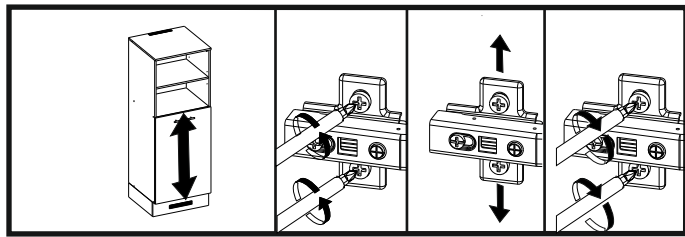
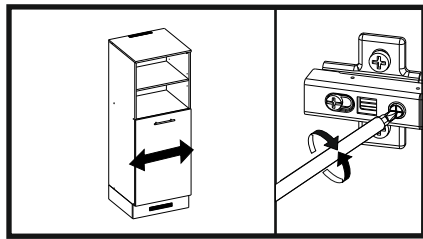


11

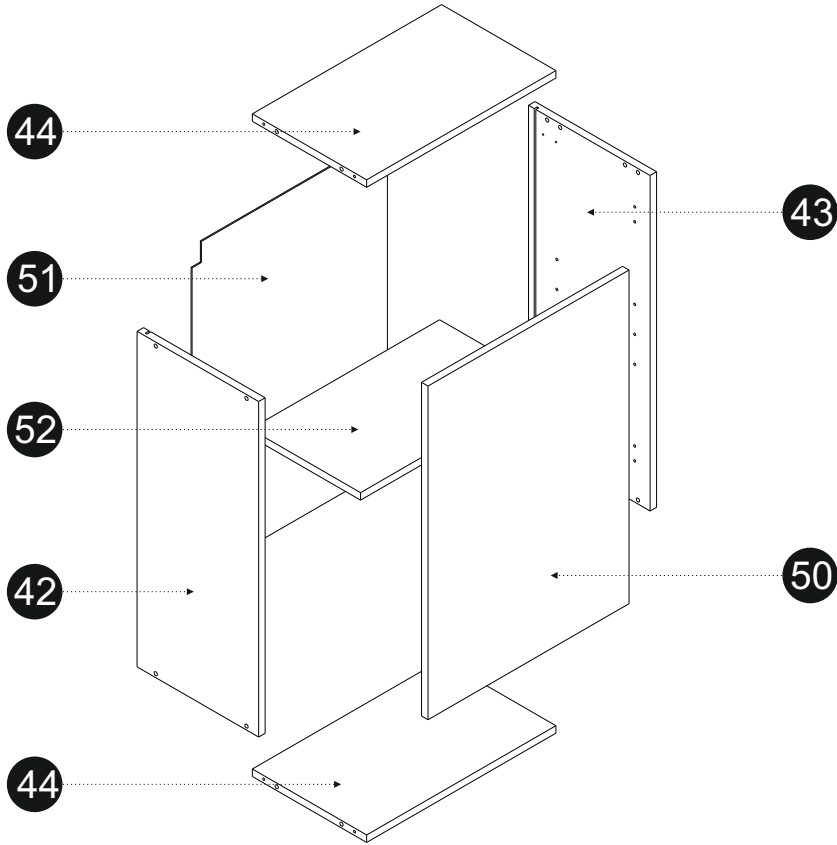
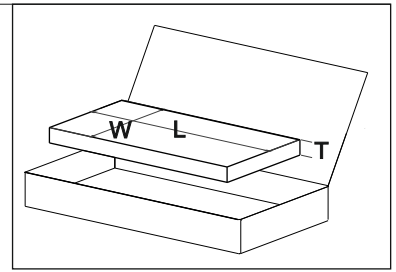
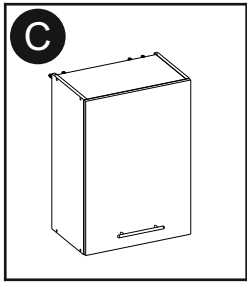




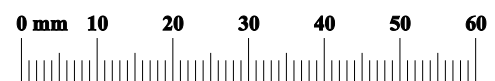
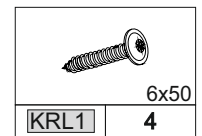
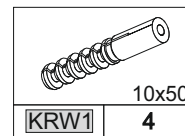
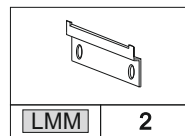
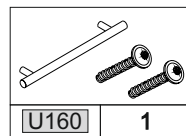
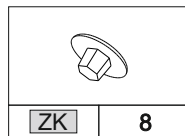
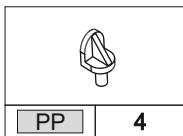
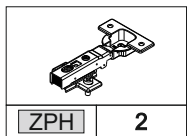
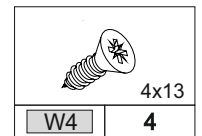
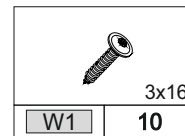
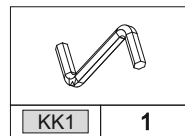
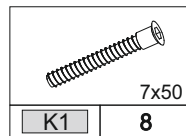
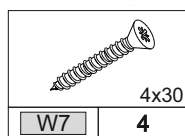
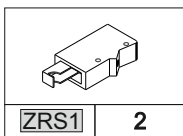
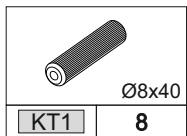
	1
	8
	4
	4



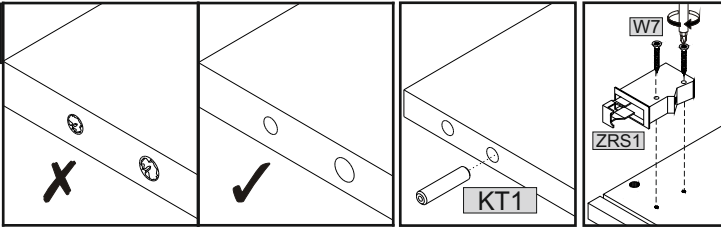
	2		3,5x16	12		6	→ 64/66
--	---	--	--------	----	--	---	---------



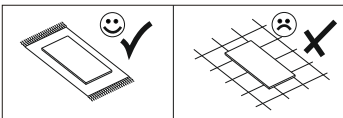
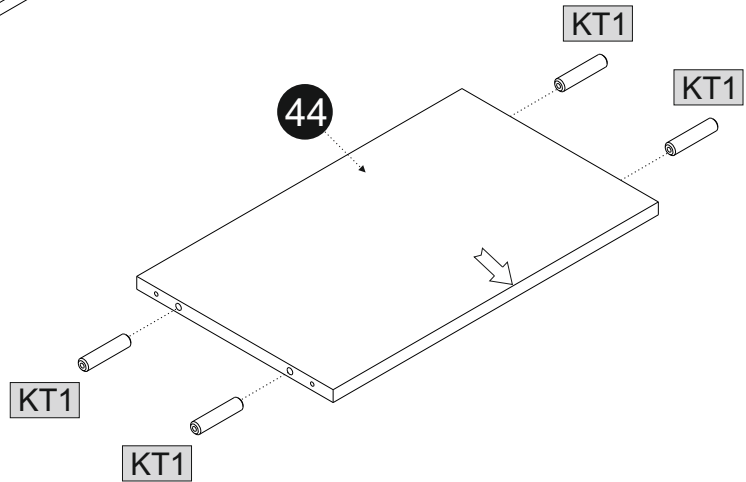
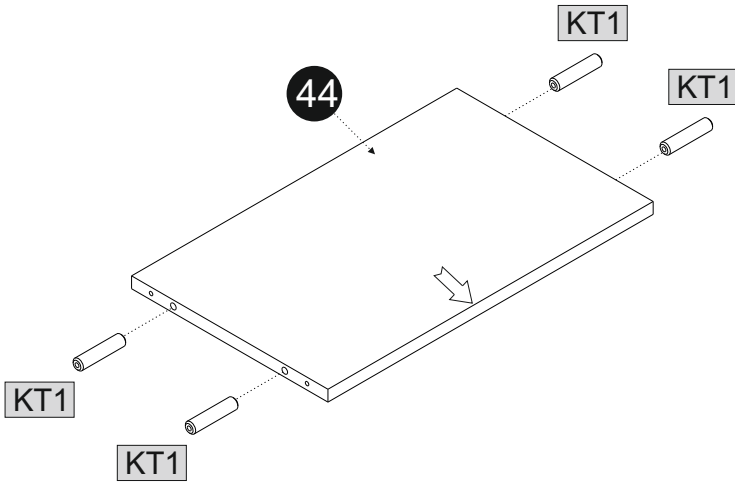
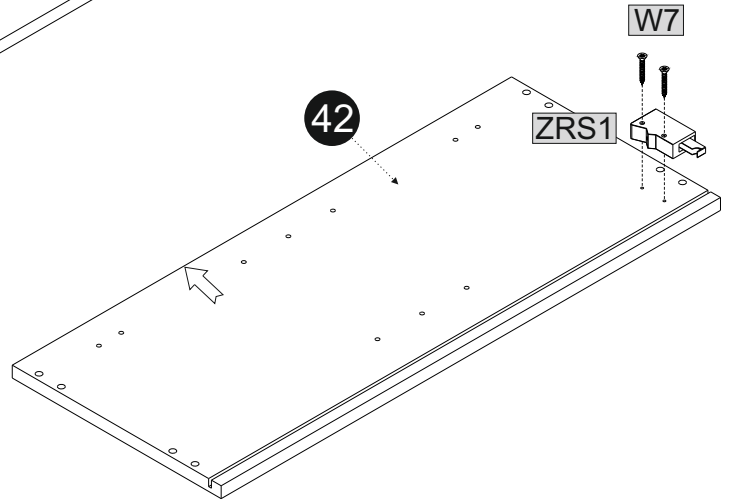
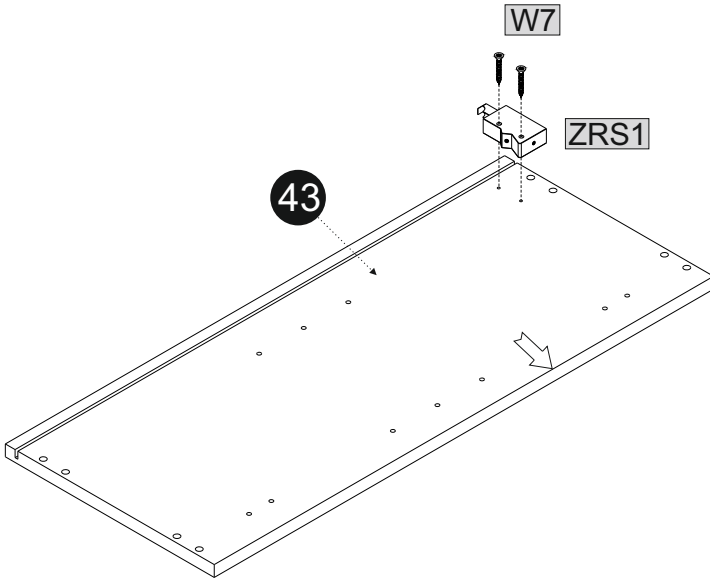
5/7				
	L [mm]	W [mm]	T [mm]	
42	717	300	16	x1
43	717	300	16	x1
44	467	282	16	x2
6/7				
	L [mm]	W [mm]	T [mm]	
50	713	496	16	x1
51	712	482	3	x1
52	467	272	16	x1



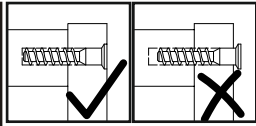
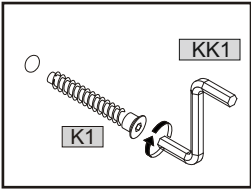
01


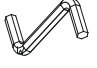


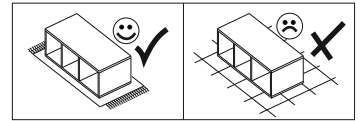
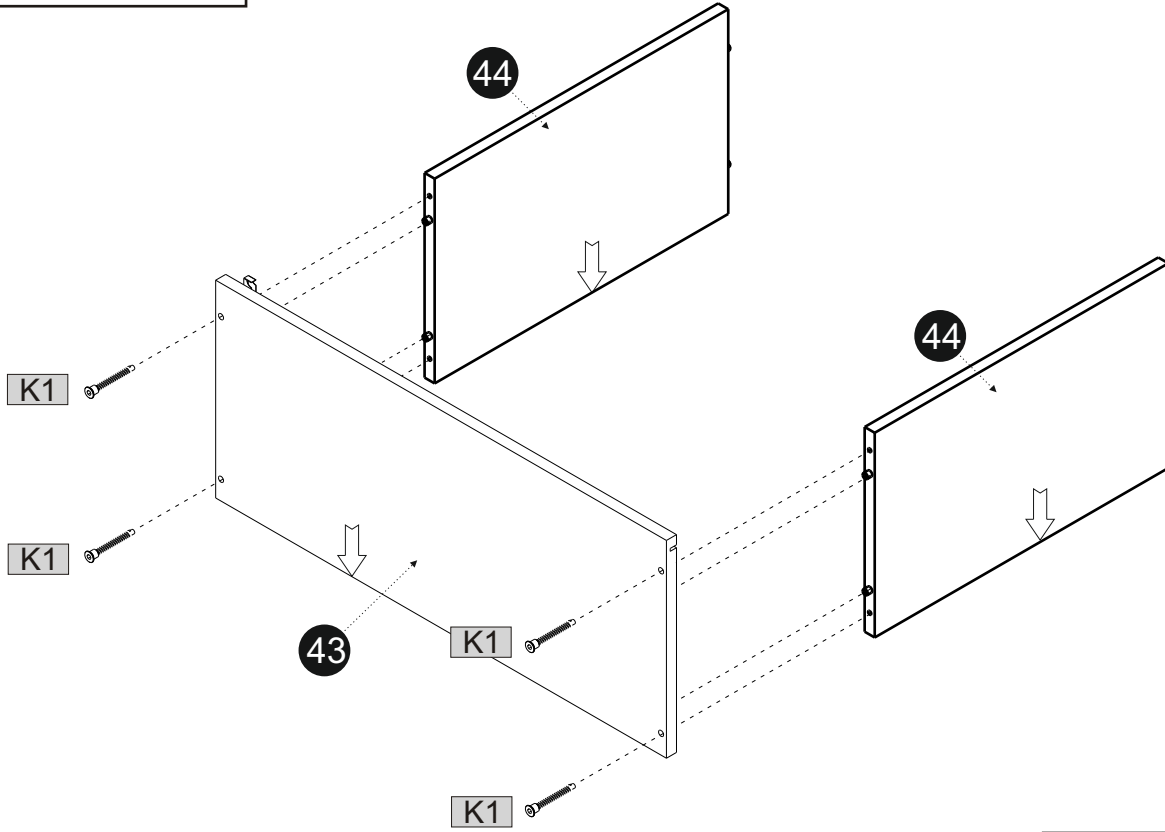
	Ø8x40
KT1	8
ZRS1	2
	4x30
W7	4



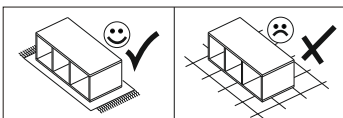
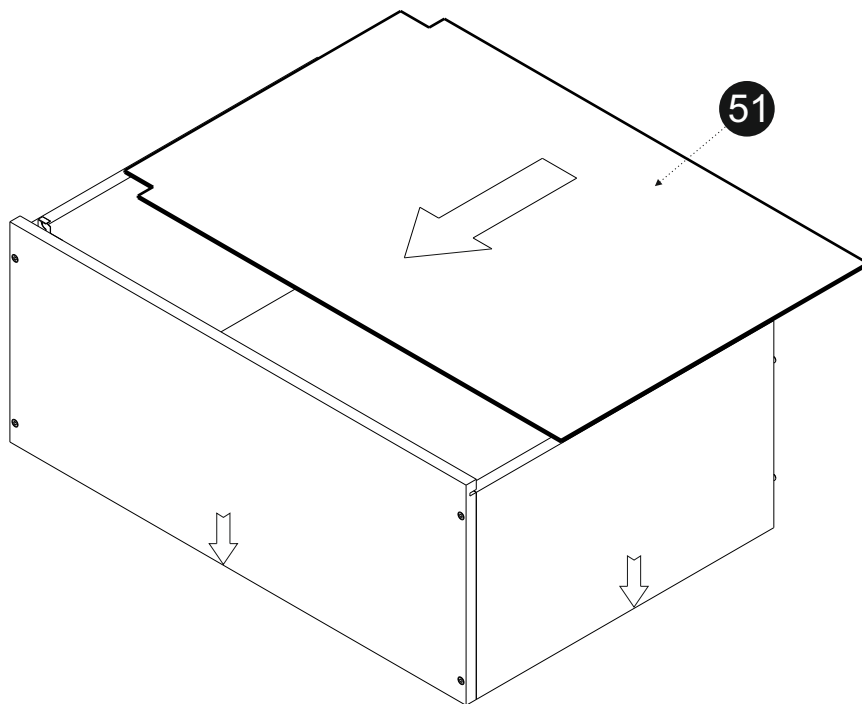
02



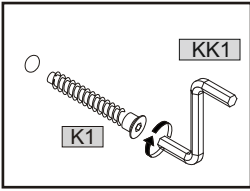
			
7x50			
K1	4	KK1	1

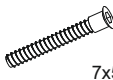
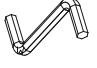


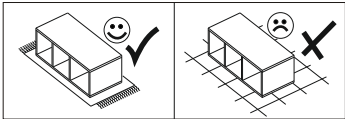
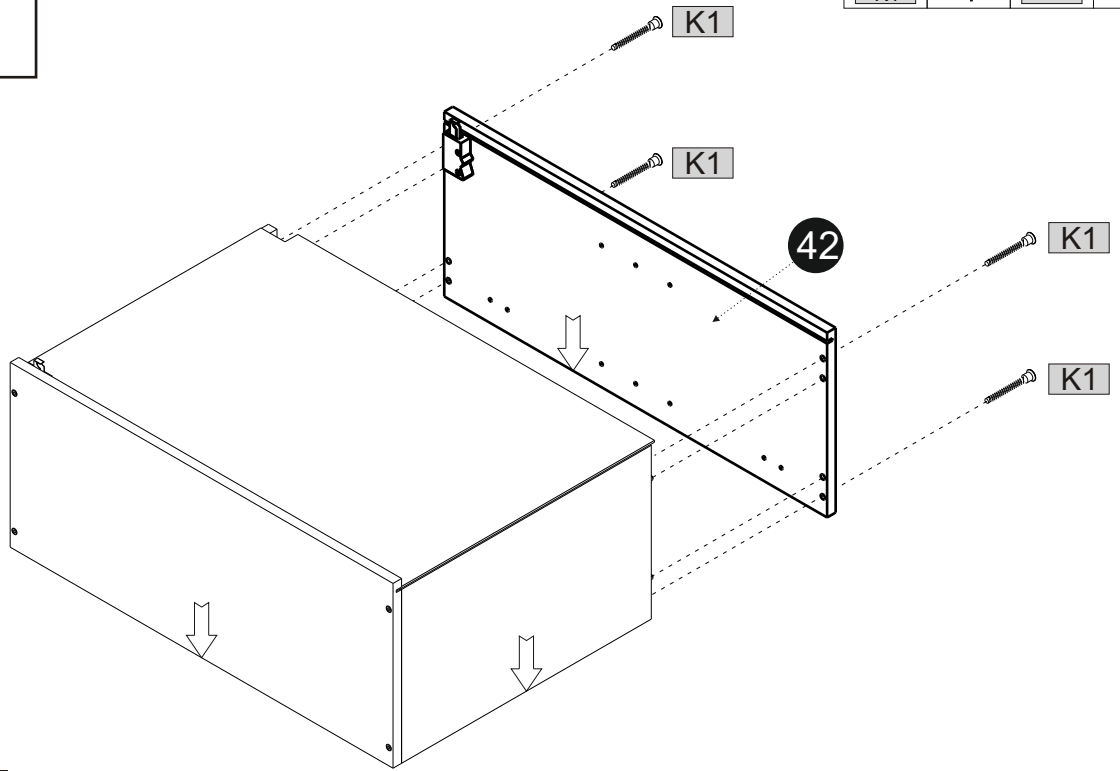
03



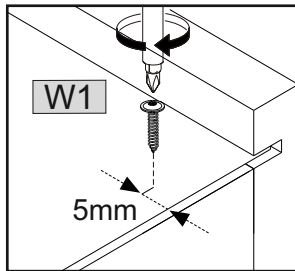
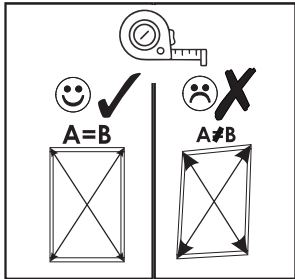
04




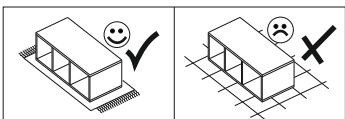
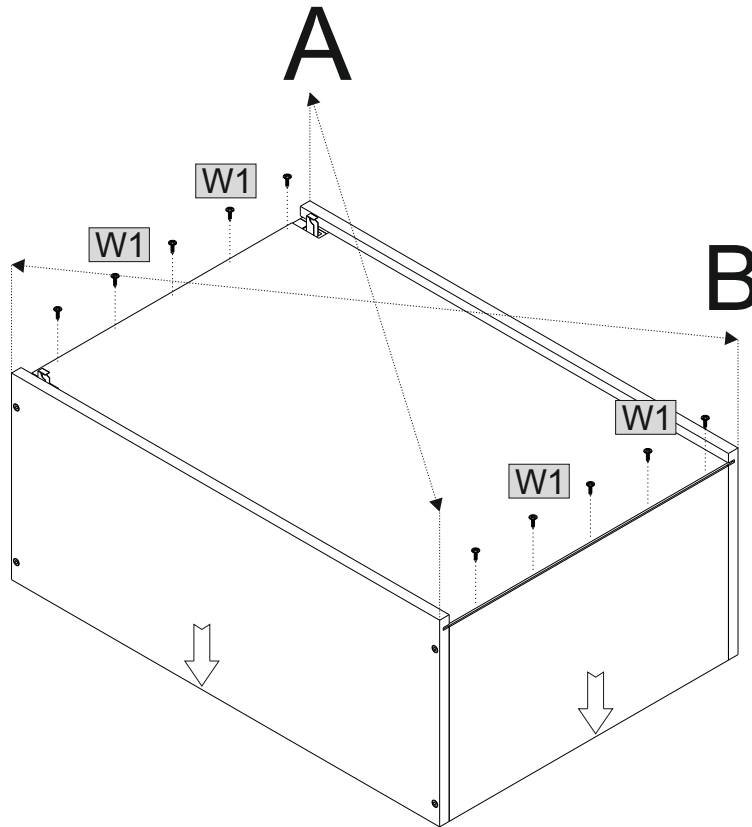
	7x50		
K1	4	KK1	1



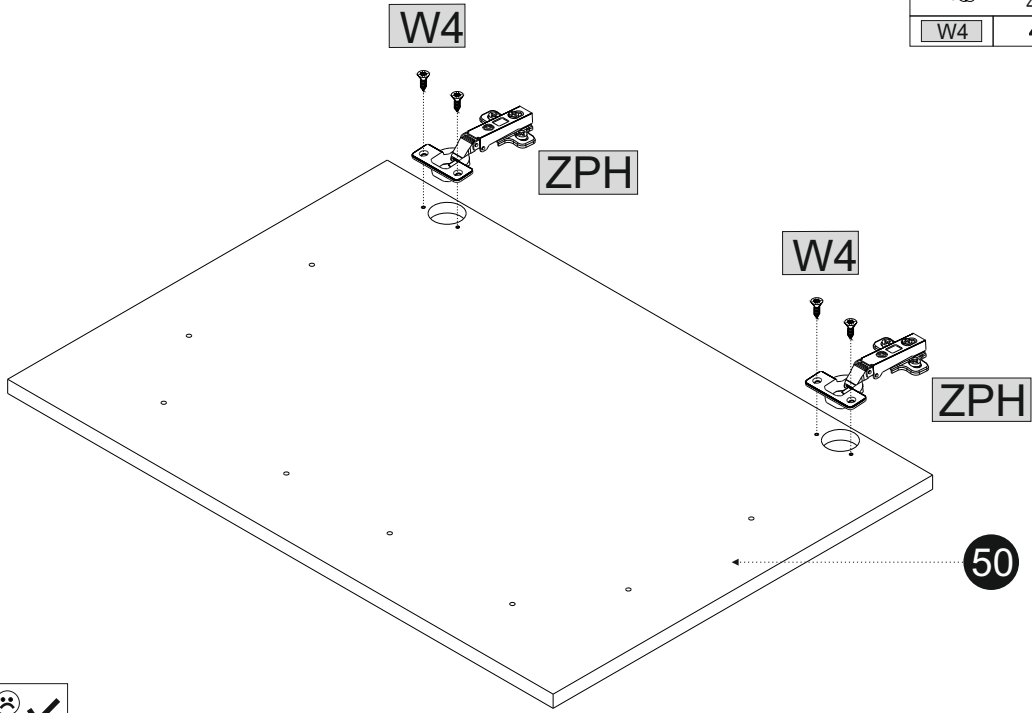
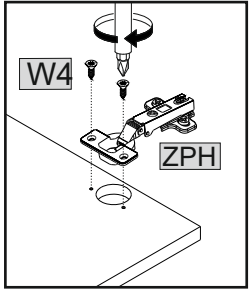
05



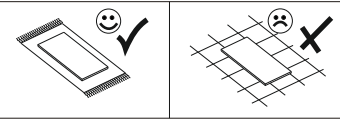
	3x16
W1	10



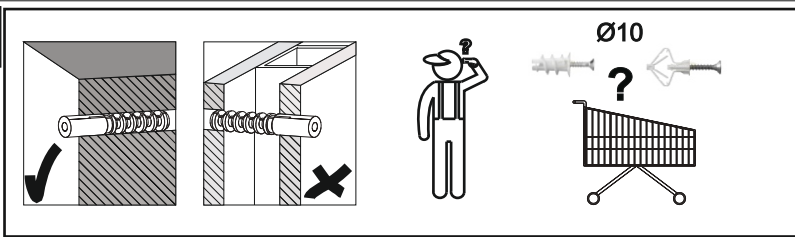
06



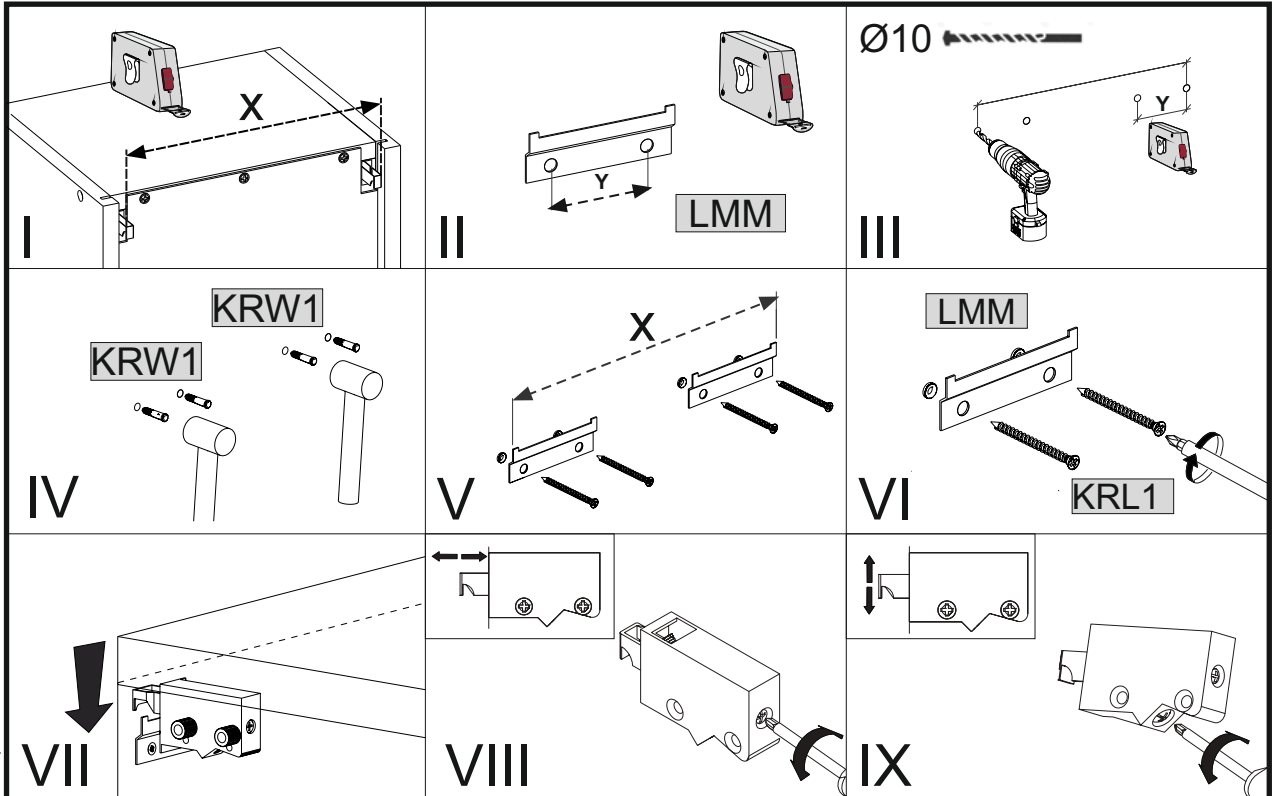
	4x13		
W4	4	ZPH	2



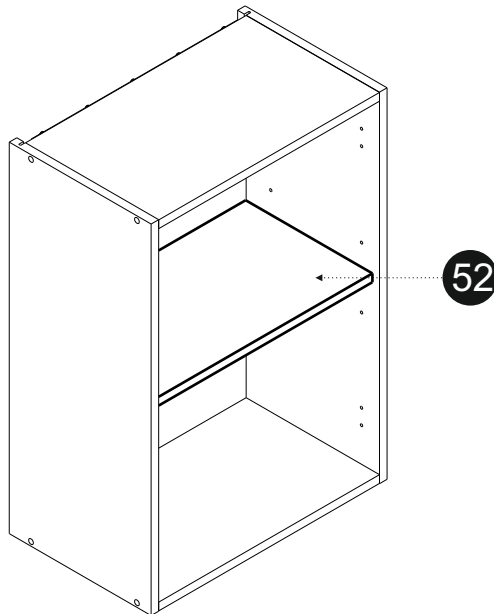
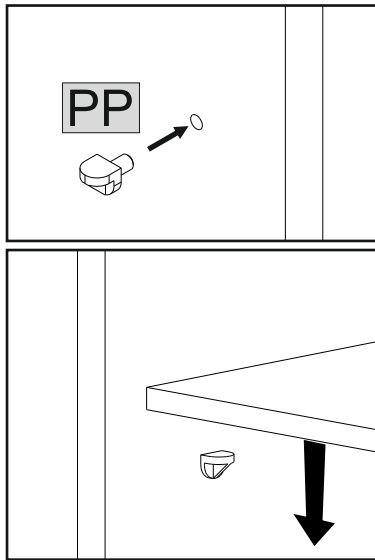
07



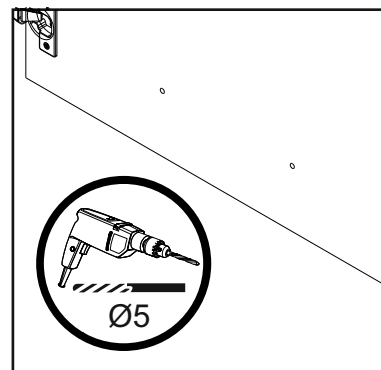
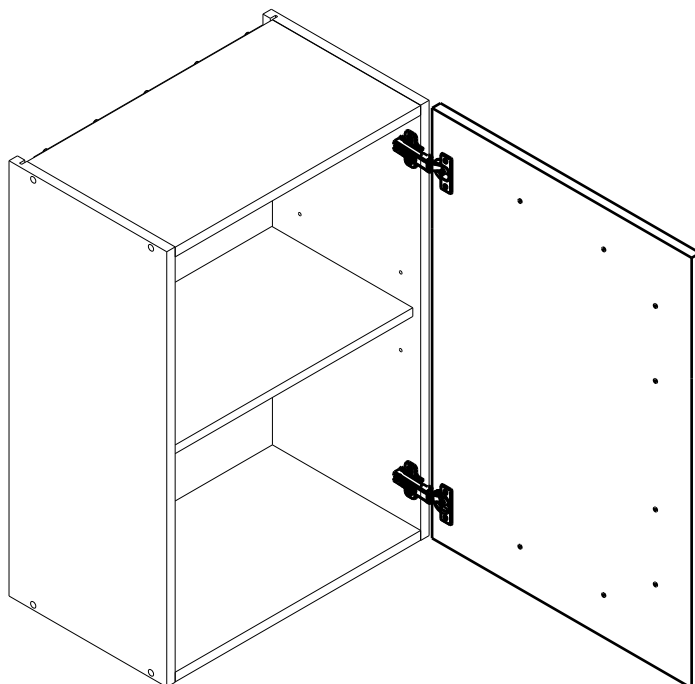
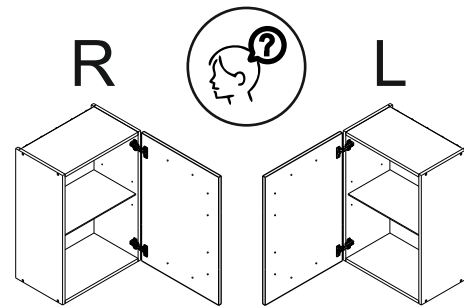
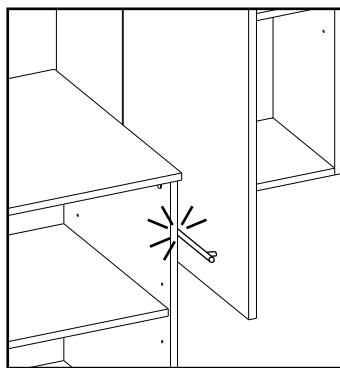
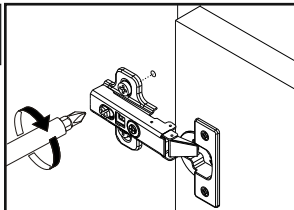
			10x50		6x50
LMM	2	KRW1	4	KRL1	4



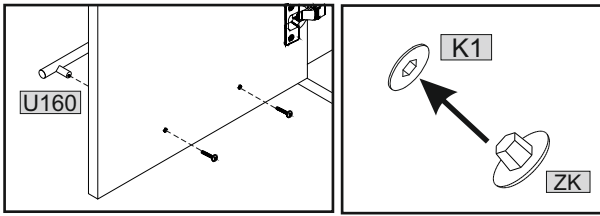
08



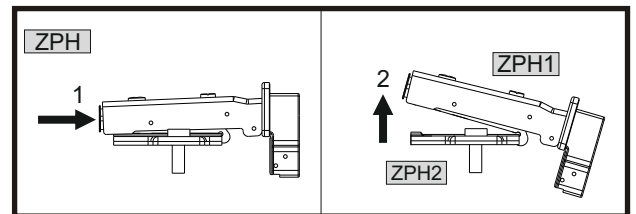
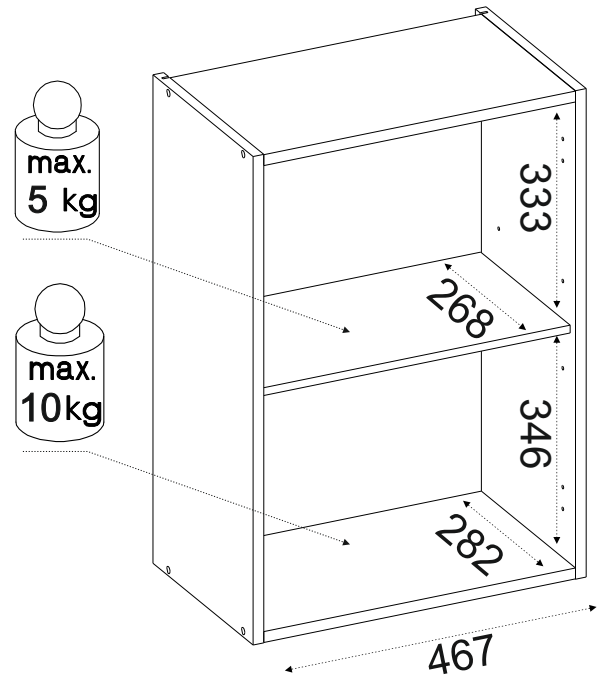
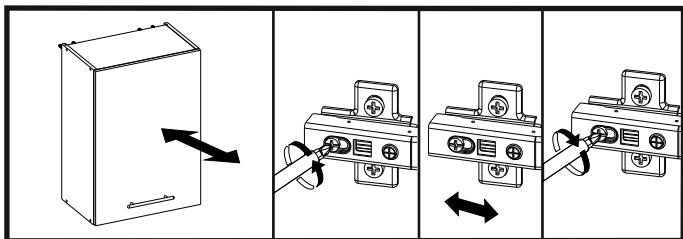
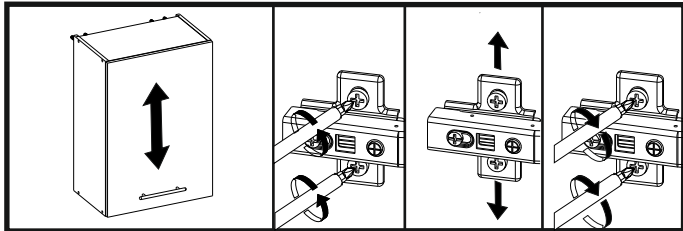
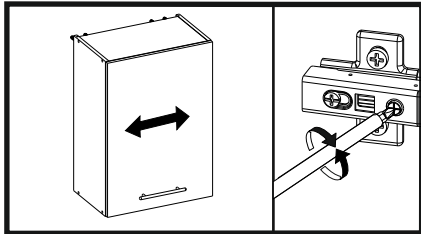
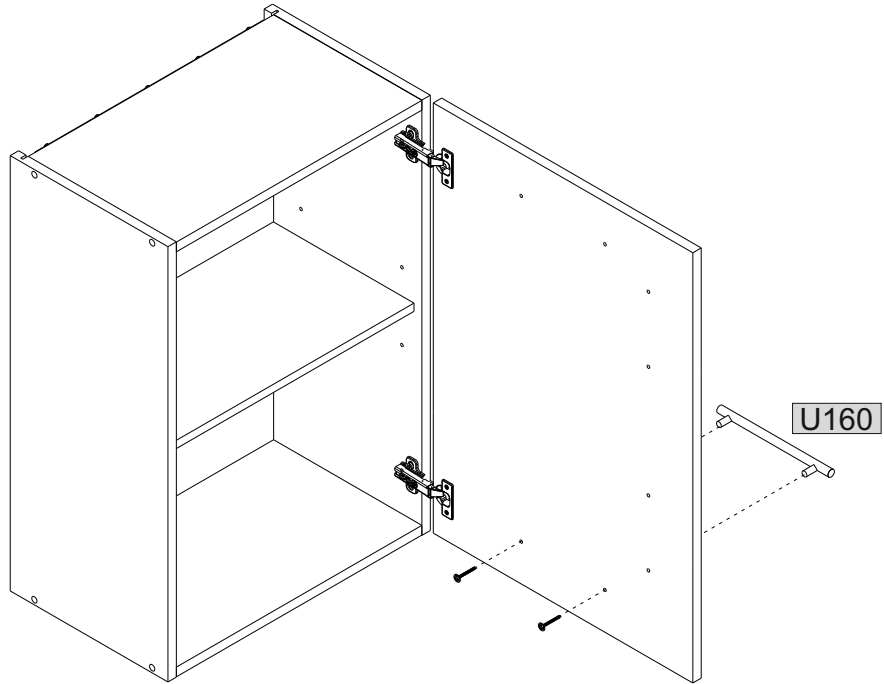
09

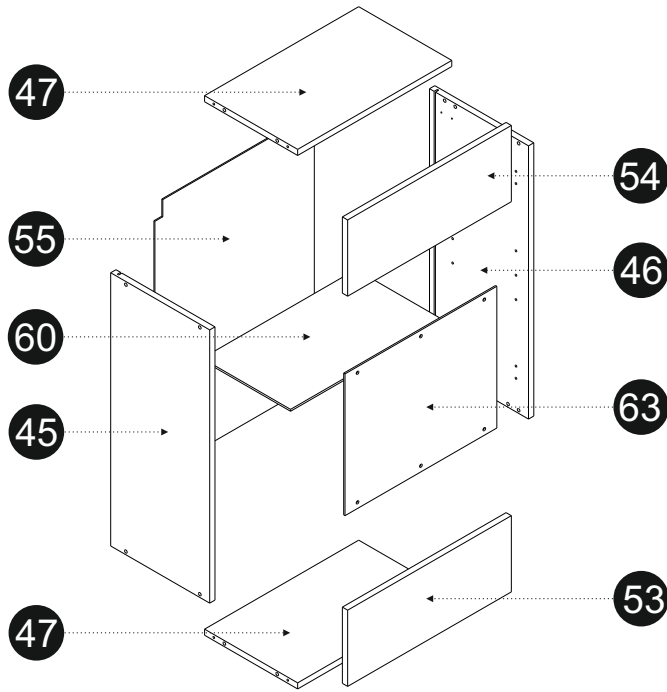
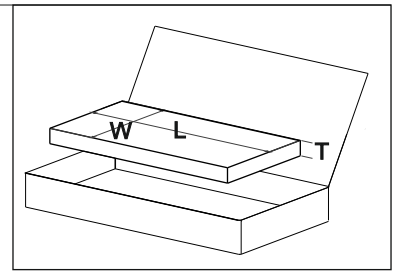
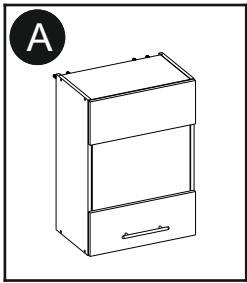


10

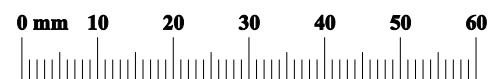
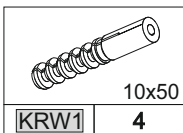
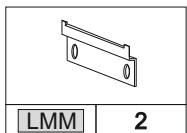
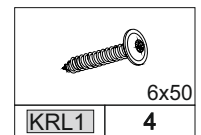
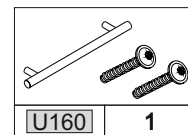
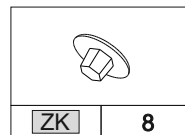
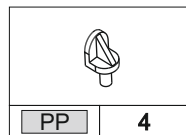
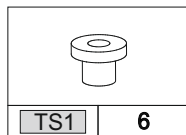
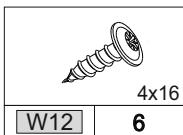
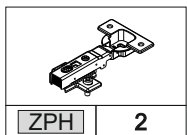
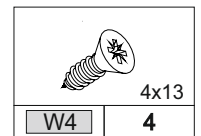
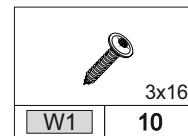
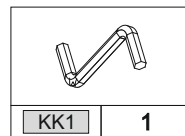
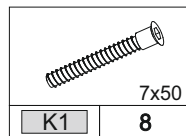
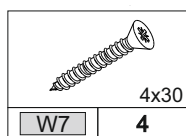
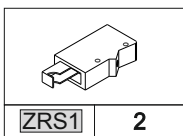


U160	1
ZK	8

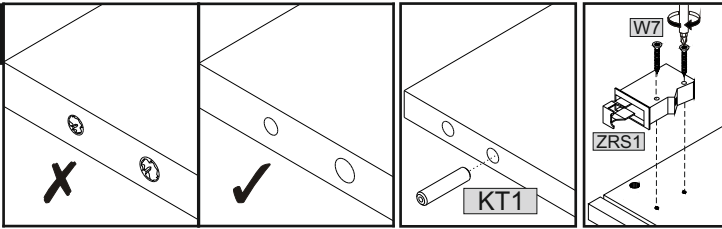


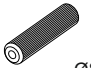
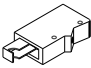



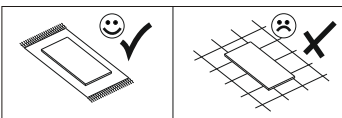
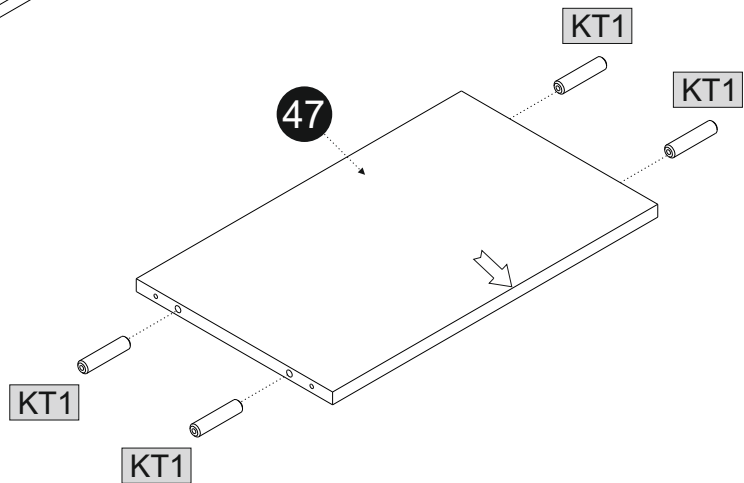
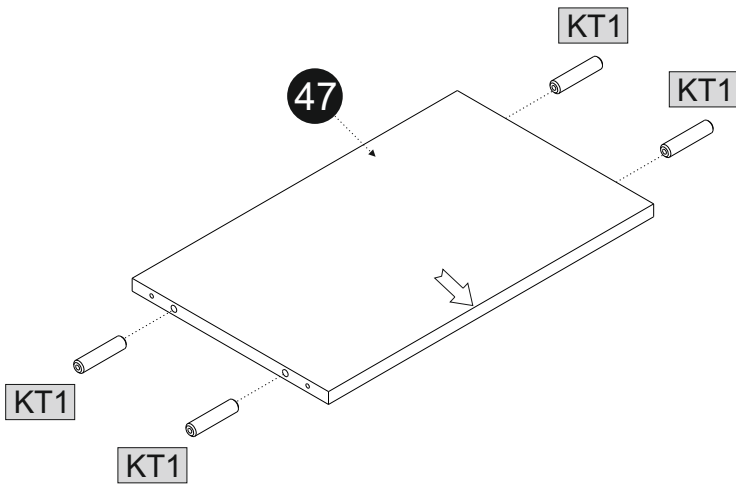
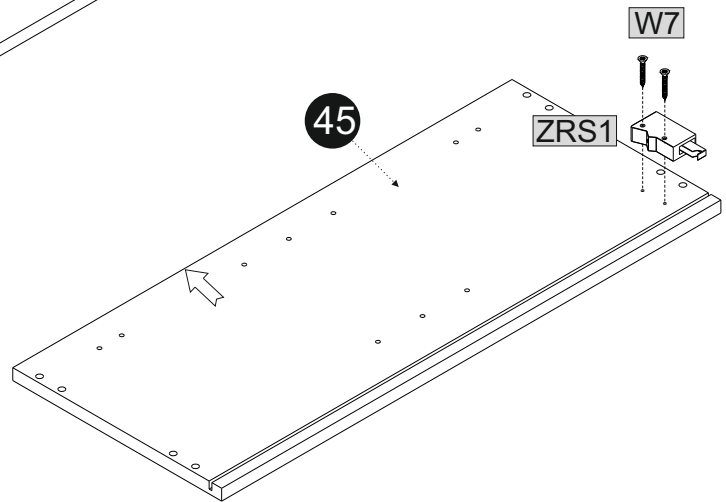
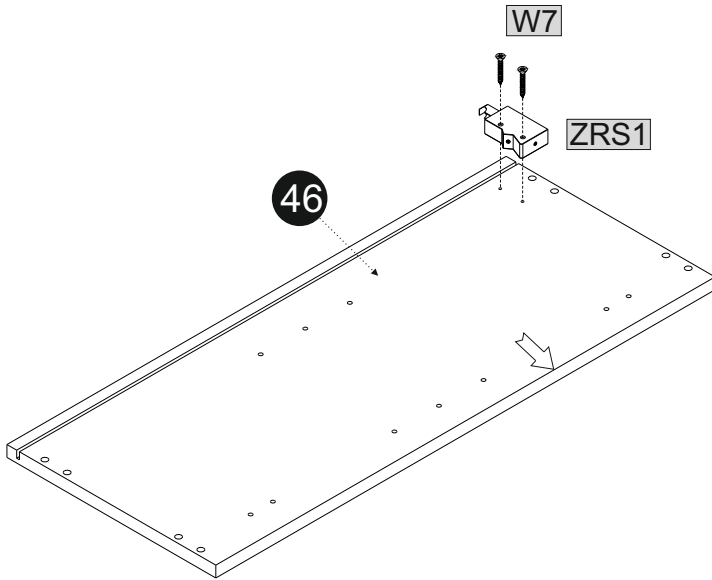
5/7				
	L [mm]	W [mm]	T [mm]	
45	717	300	16	x1
46	717	300	16	x1
47	467	282	16	x2
6/7				
53	496	200	16	x1
54	496	200	16	x1
55	712	482	3	x1
60	466	268	5	x1
63	460	372	4	x1



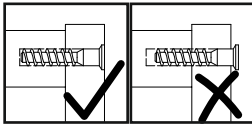
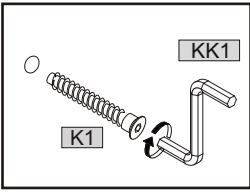
01





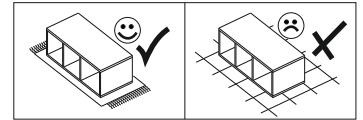
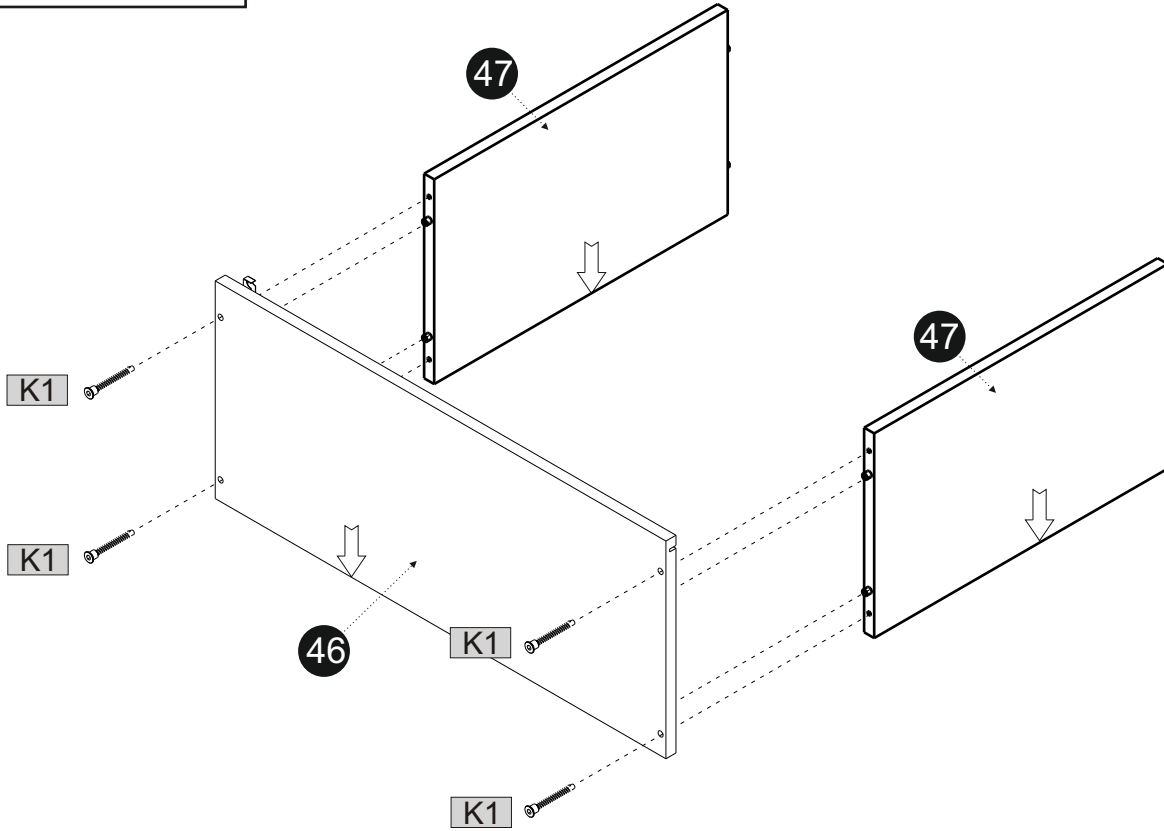
	Ø8x40
KT1	8
	
ZRS1	2
	4x30
W7	4



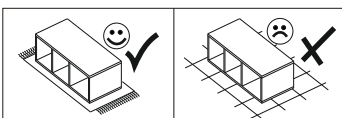
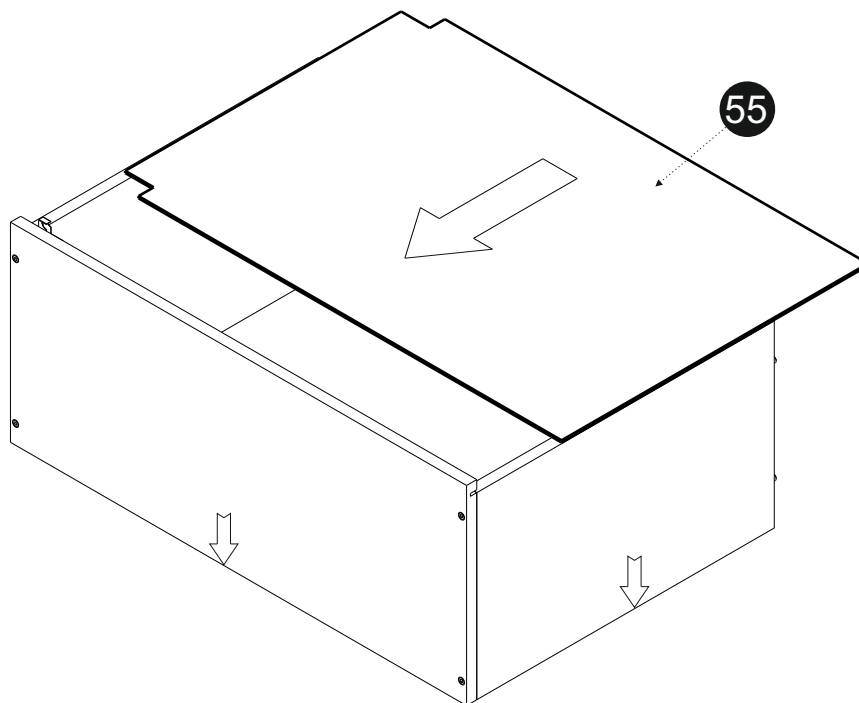
02



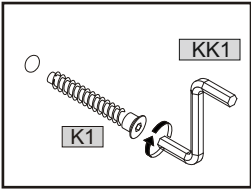
	7x50		
K1	4	KK1	1

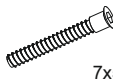



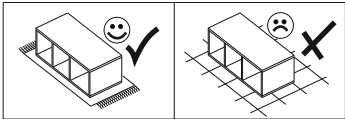
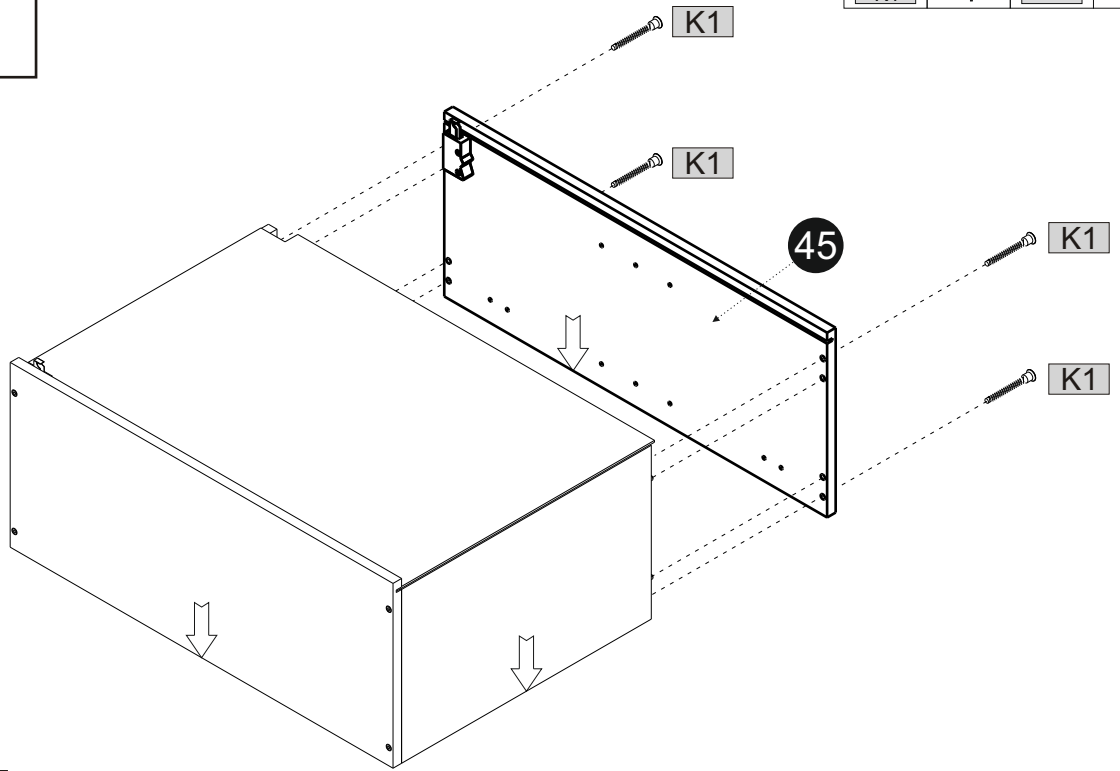
03



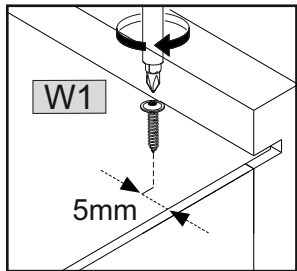
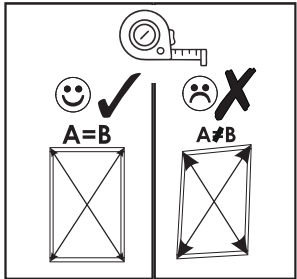
04




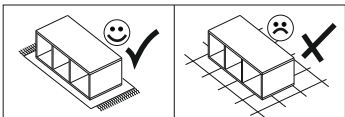
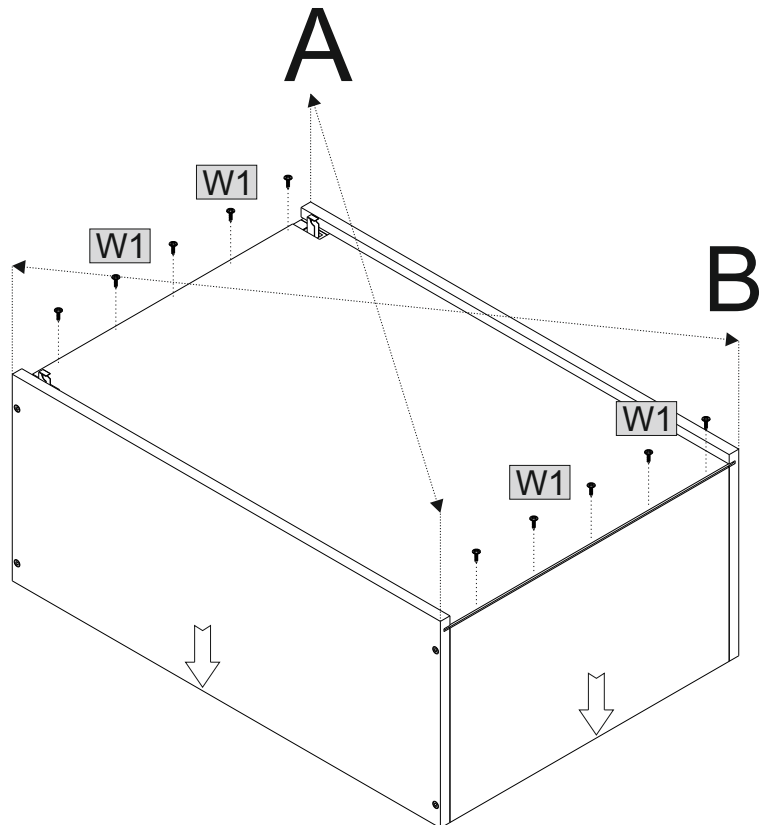
			
7x50			
K1	4	KK1	1



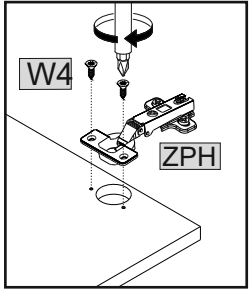
05


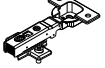


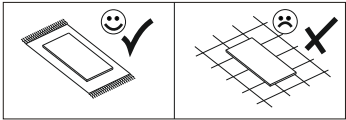
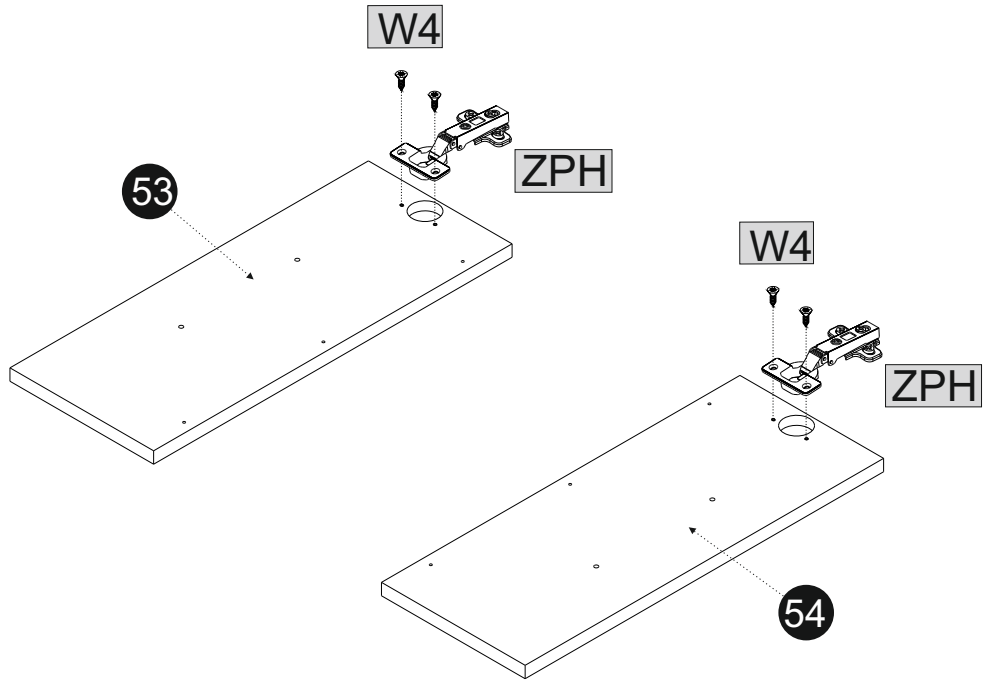
	
3x16	
W1	10



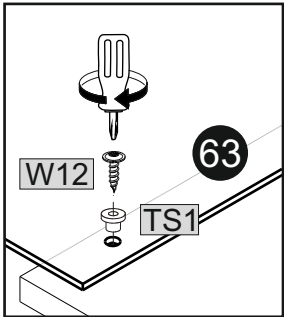
06





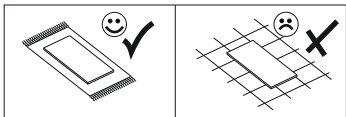
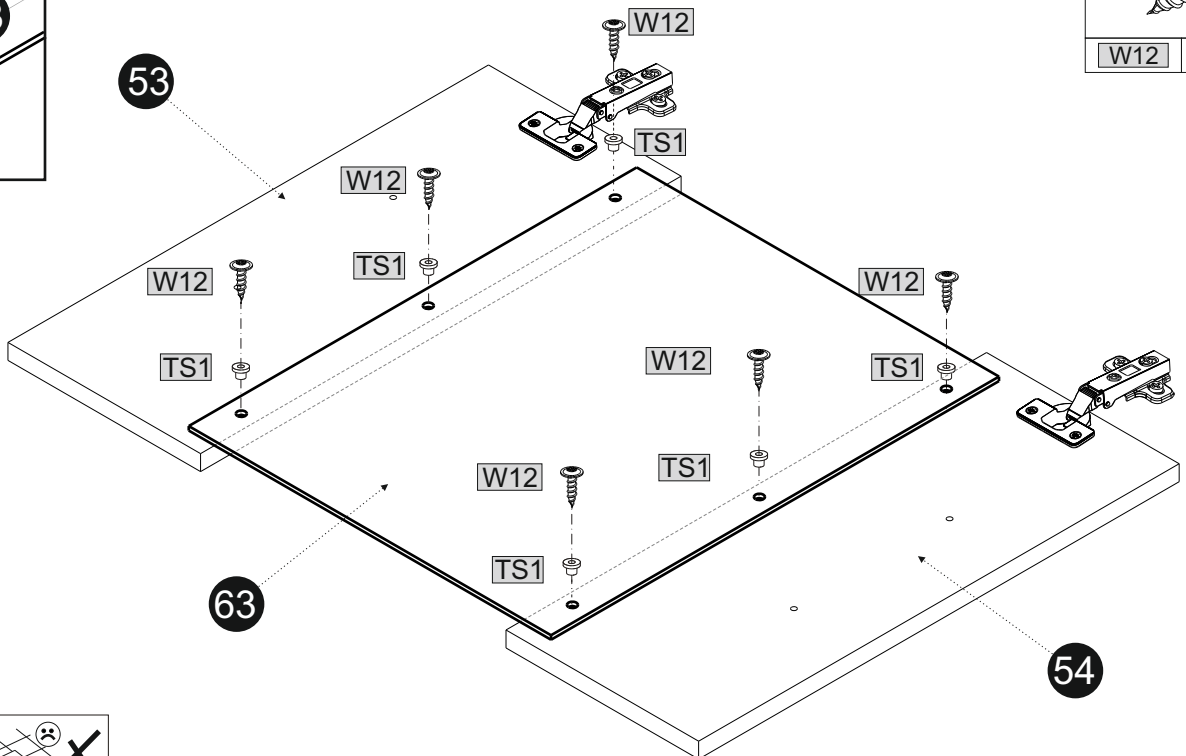
	4x13		
W4	4	ZPH	2

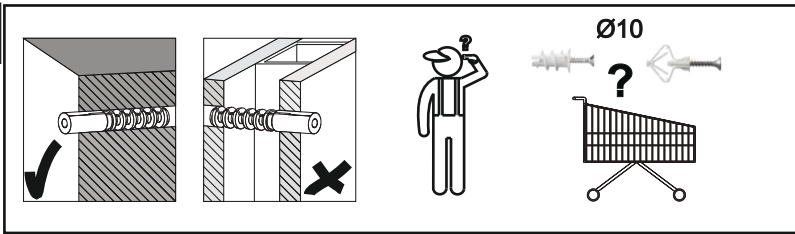


07

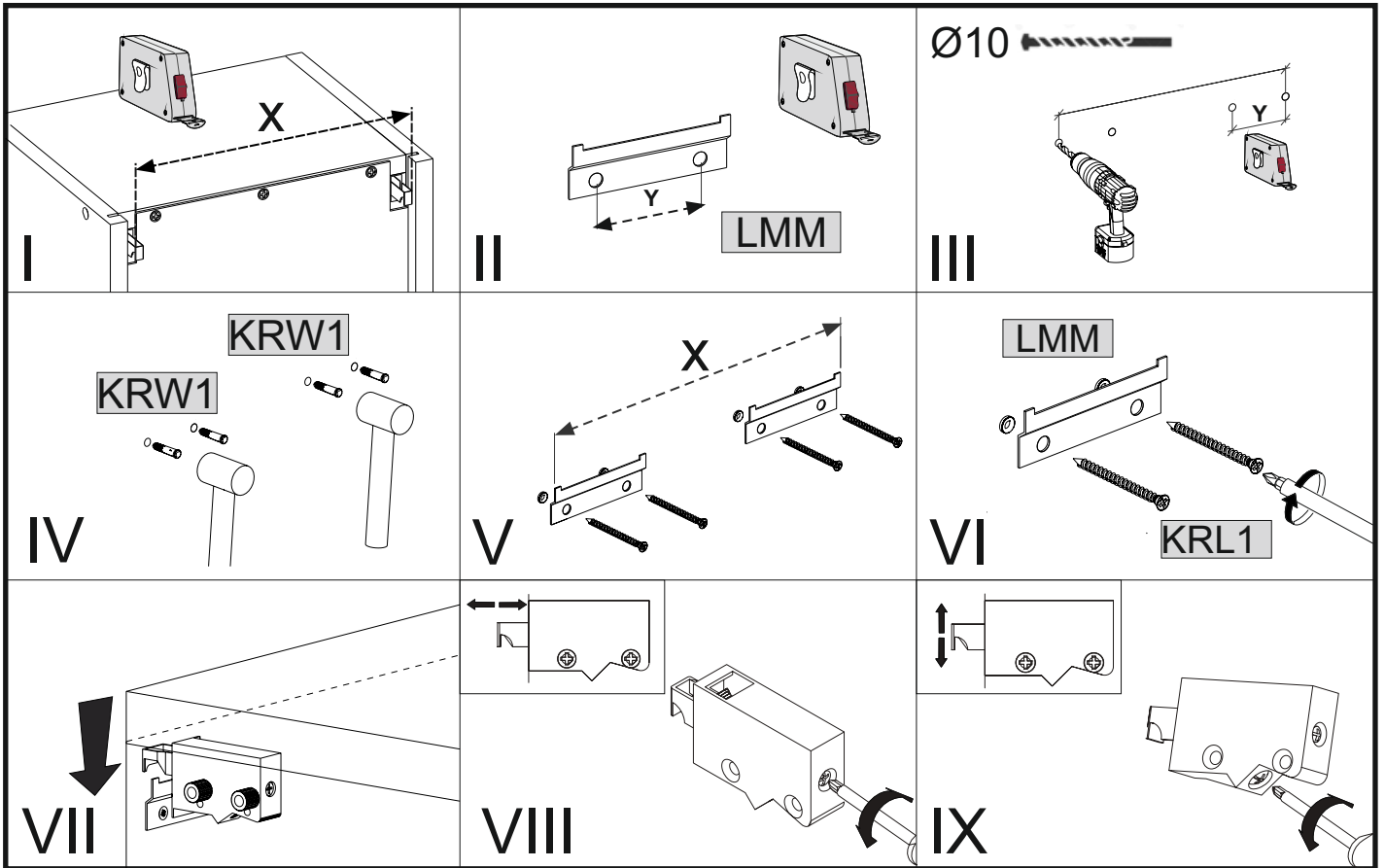


	
TS1	6
	4x16
W12	6

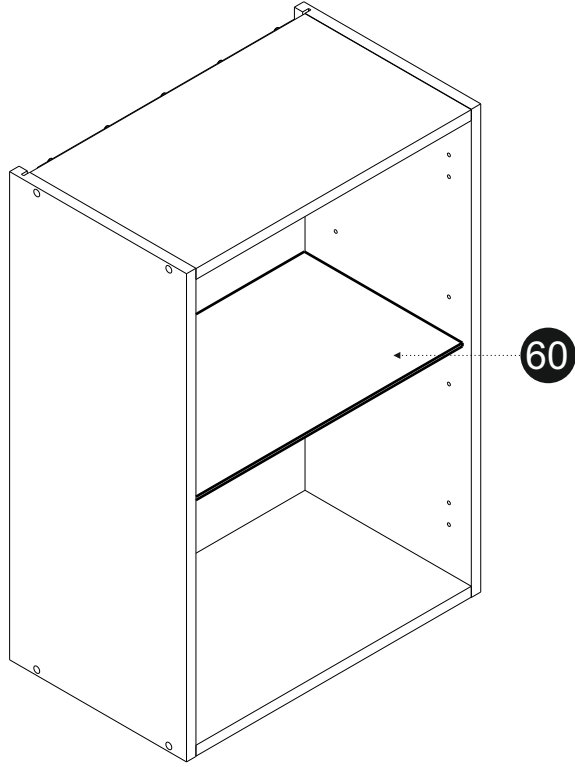
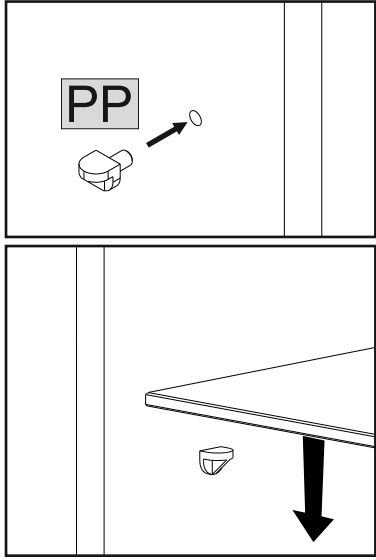




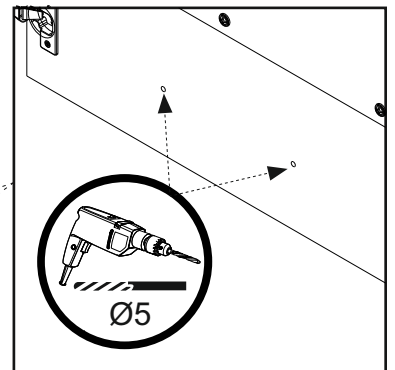
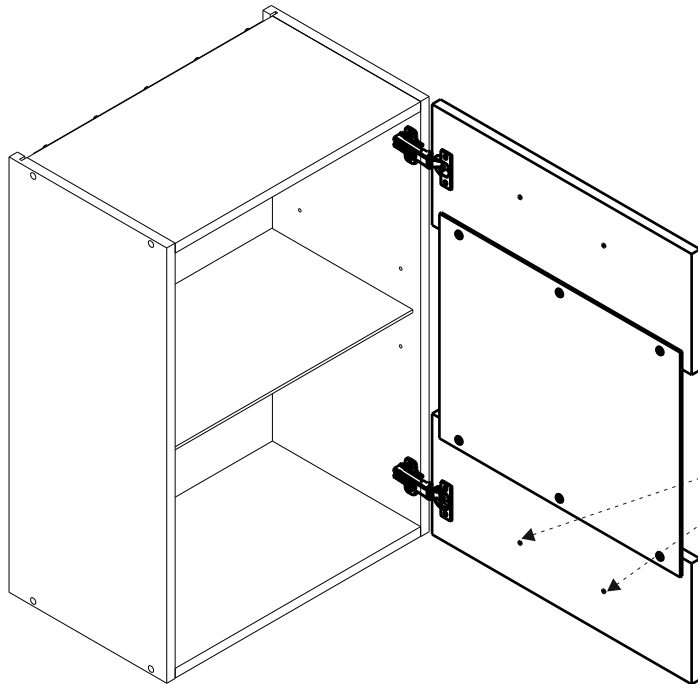
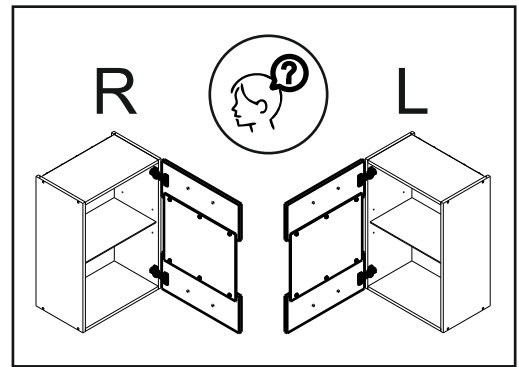
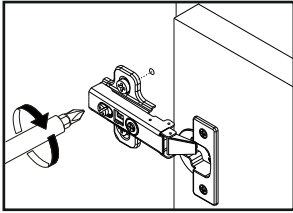
LMM	2	KRW1	4	KRL1	4



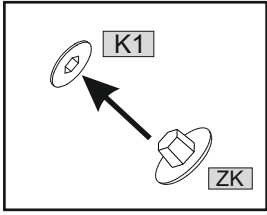
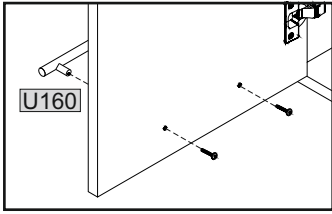
09



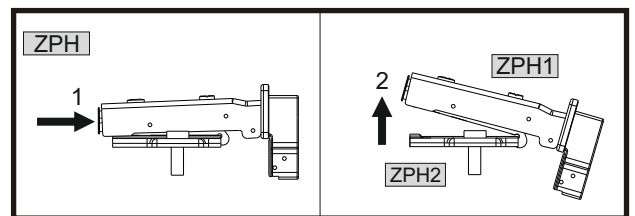
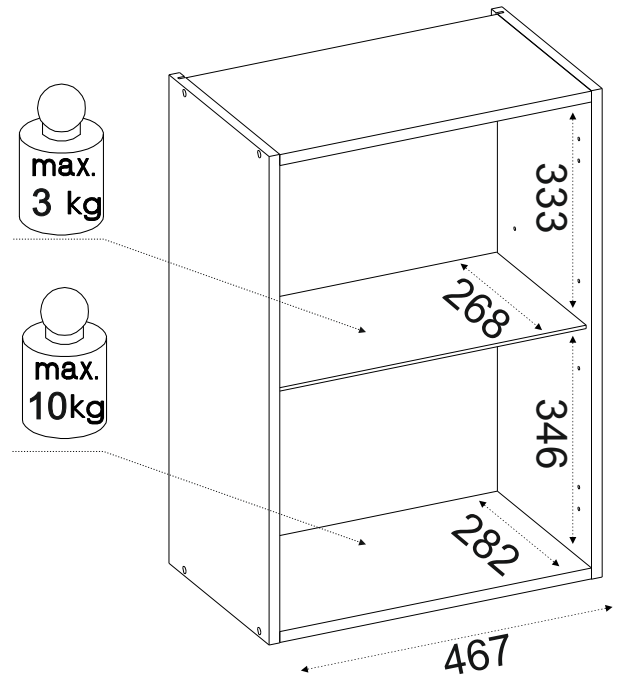
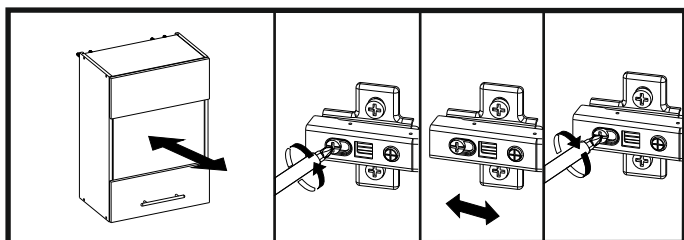
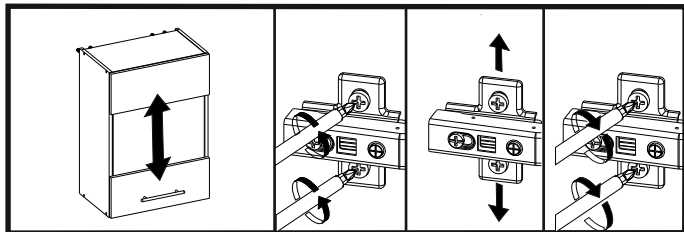
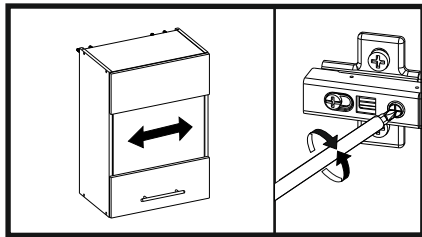
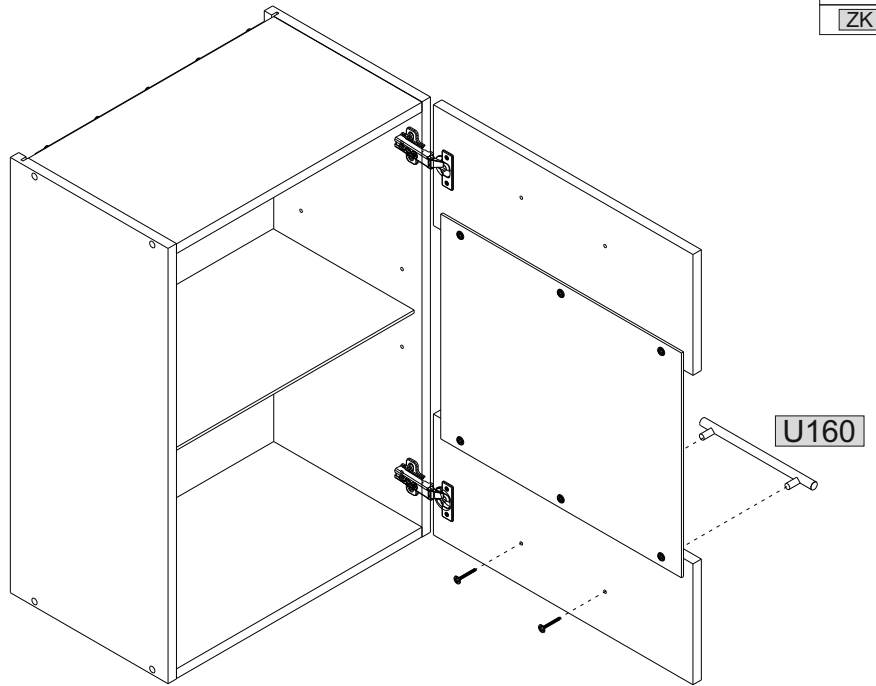
10

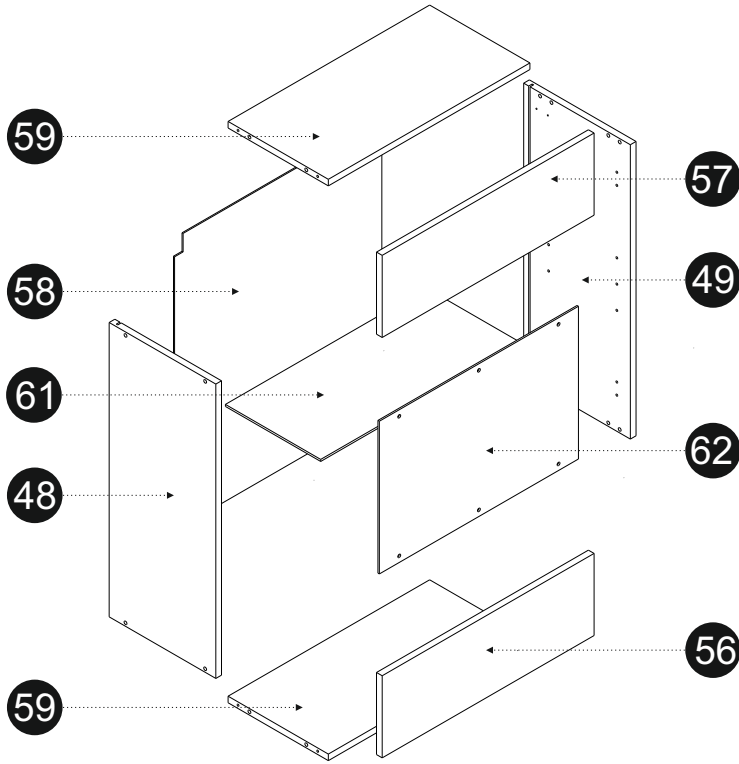
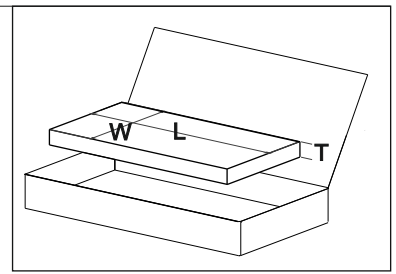
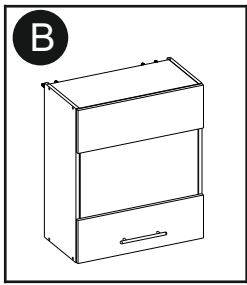


11

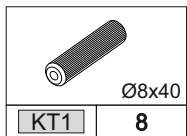


	U160	1
	ZK	8

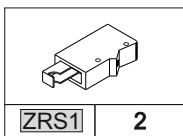




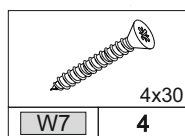
5/7				
	L [mm]	W [mm]	T [mm]	
48	717	300	16	x1
49	717	300	16	x1
6/7				
56	596	200	16	x1
57	596	200	16	x1
58	712	582	3	x1
59	567	282	16	x2
61	566	268	5	x1
62	560	372	4	x1



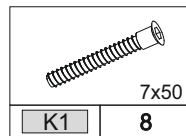
KT1 8



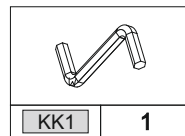
ZRS1 2



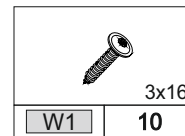
W7 4



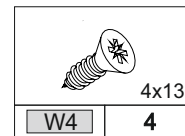
K1 8



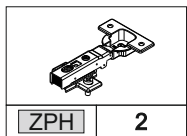
KK1 1



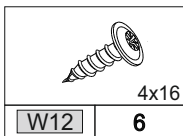
W1 10



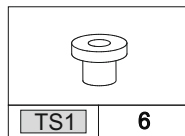
W4 4



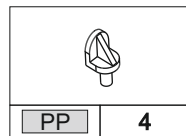
ZPH 2



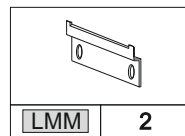
W12 6



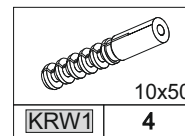
TS1 6



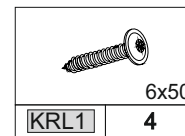
PP 4



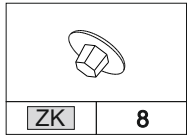
LMM 2



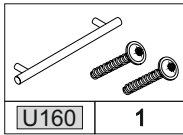
KRW1 4



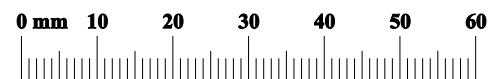
KRL1 4



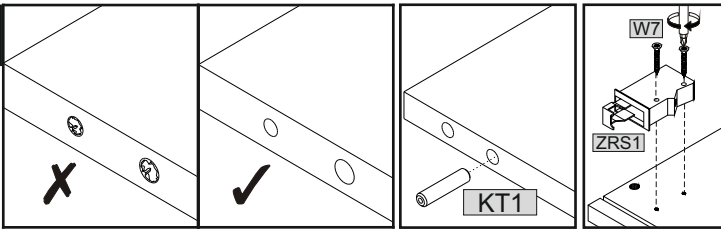
ZK 8

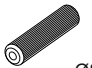
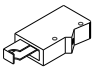



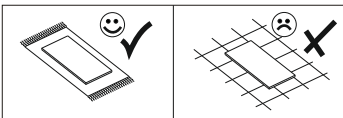
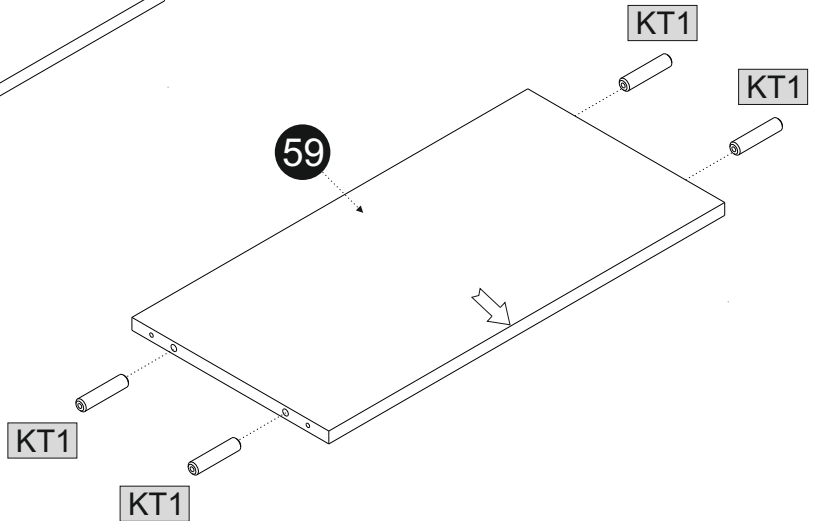
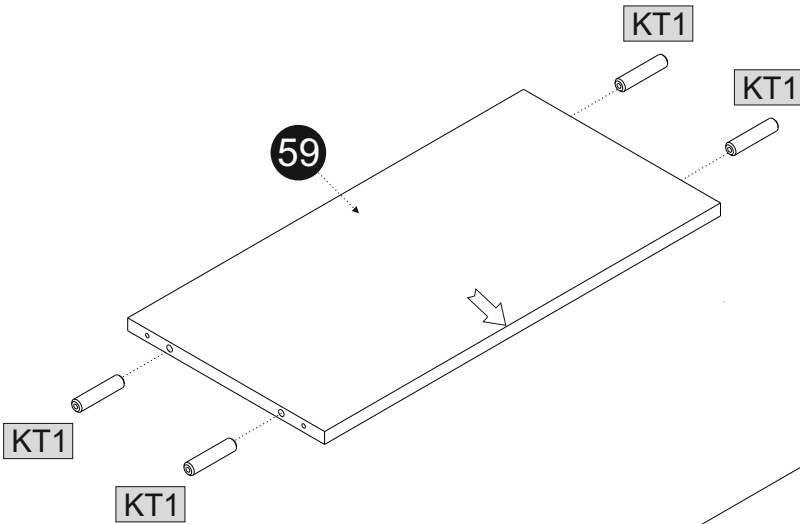
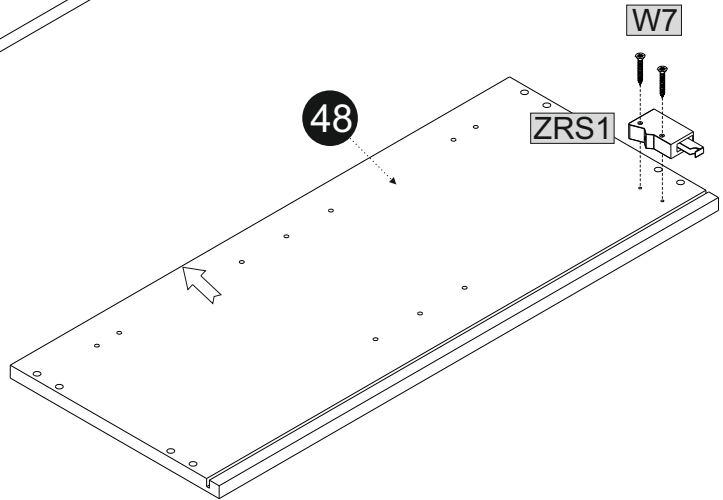
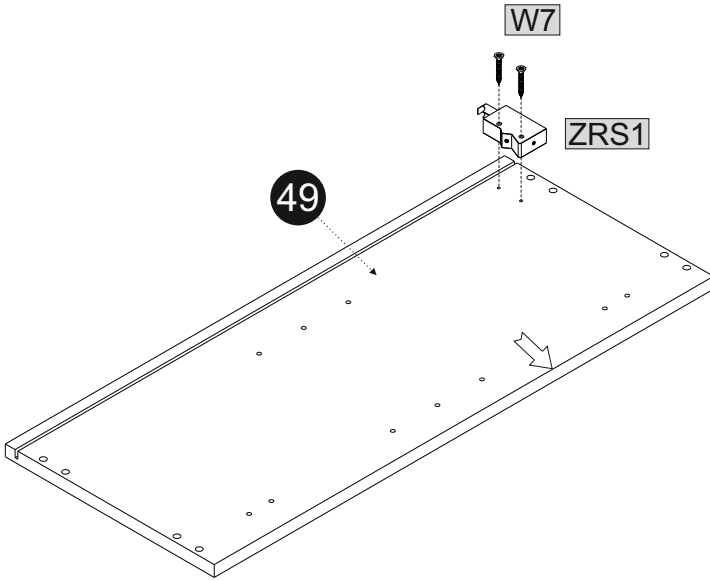
U160 1



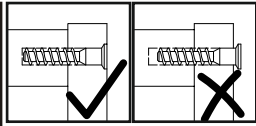
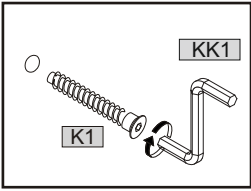
01





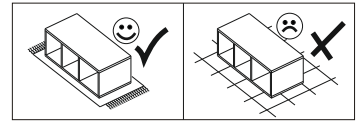
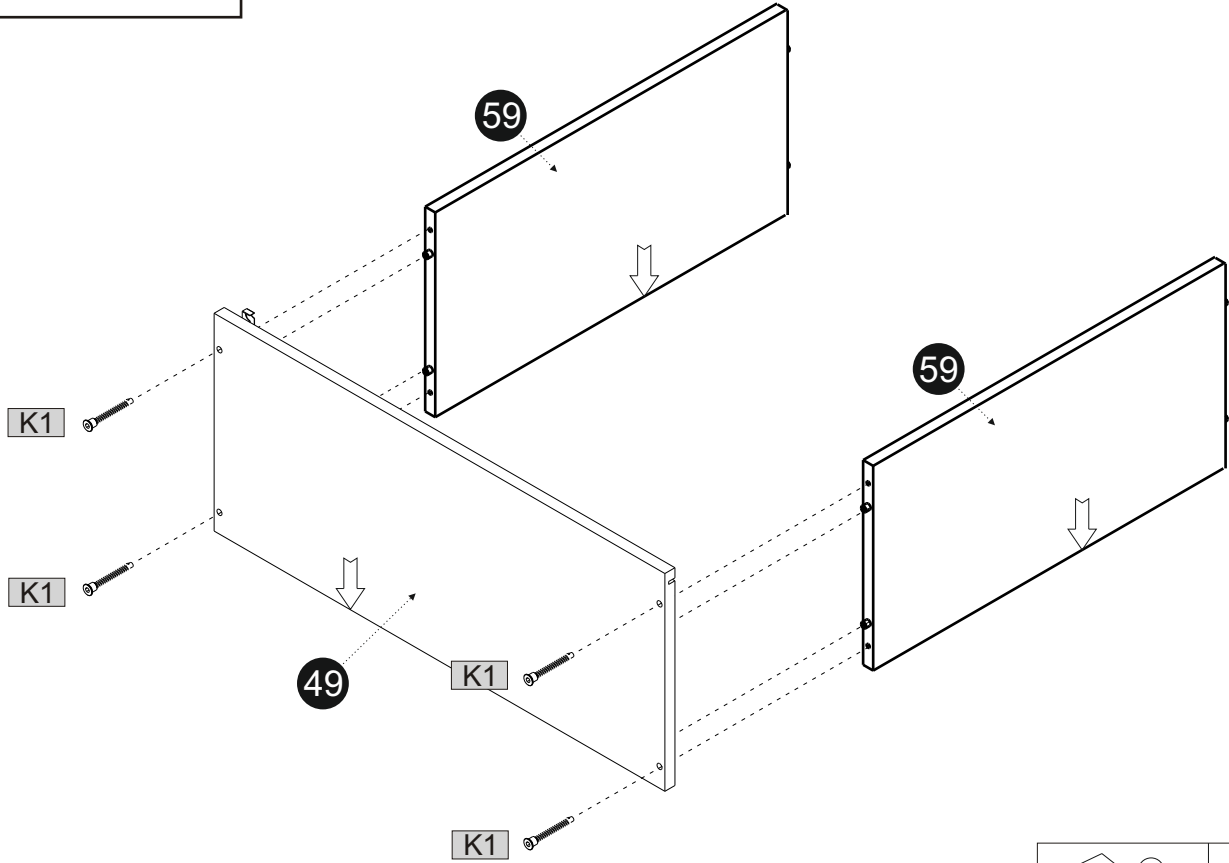
	Ø8x40
KT1	8
	
ZRS1	2
	4x30
W7	4



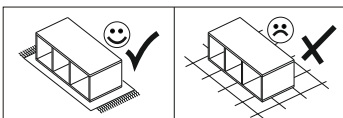
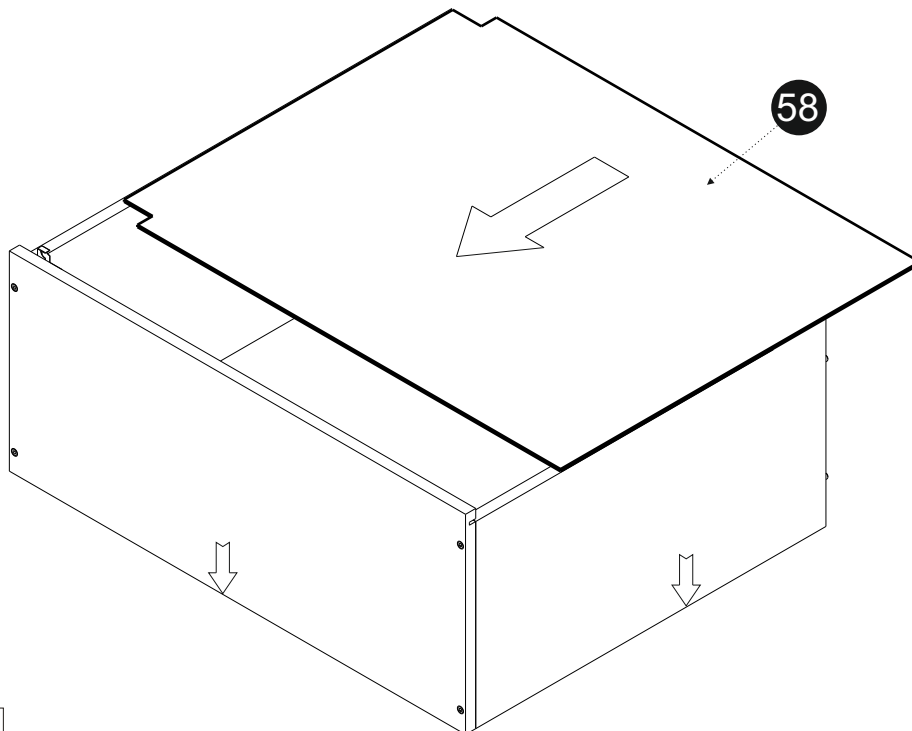
02



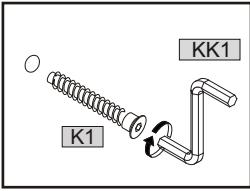
			
7x50			
K1	4	KK1	1



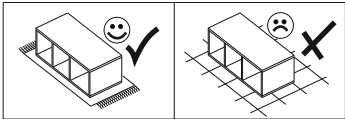
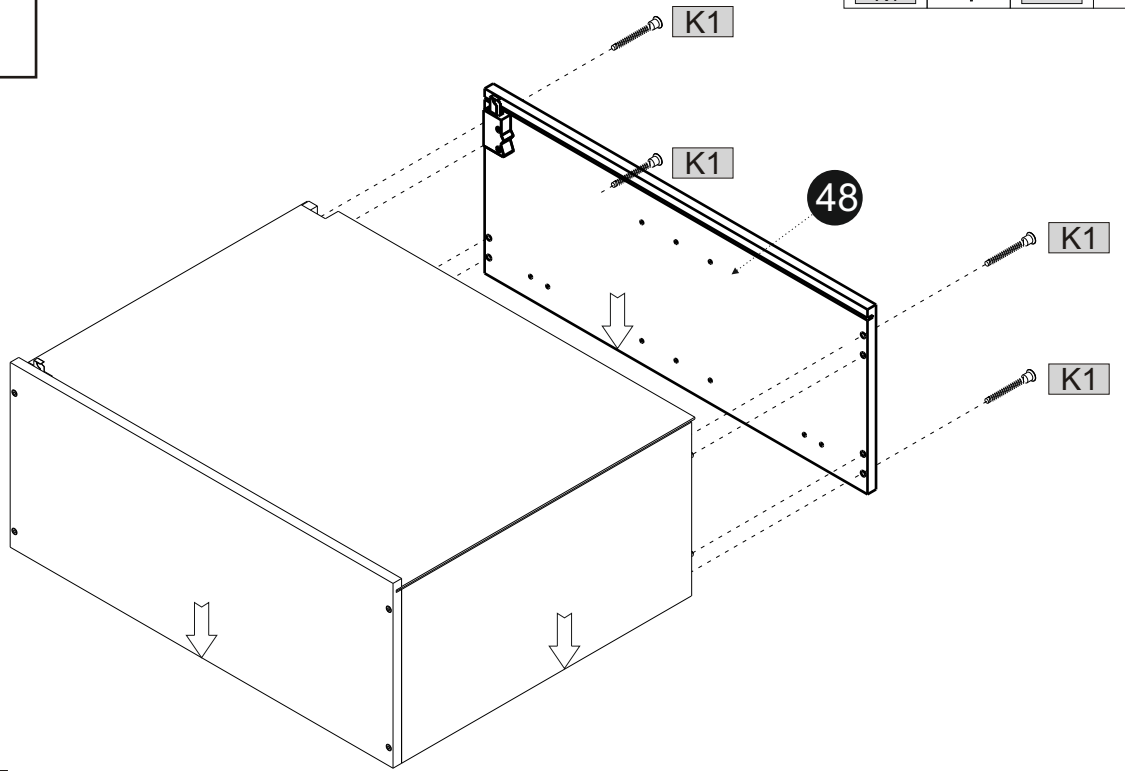
03



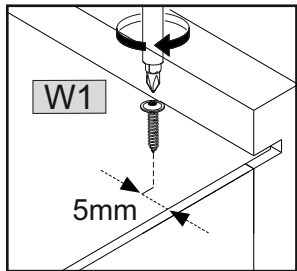
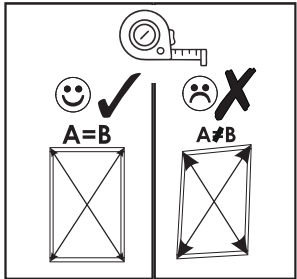
04



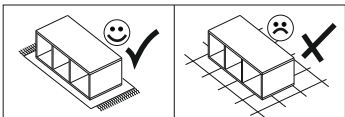
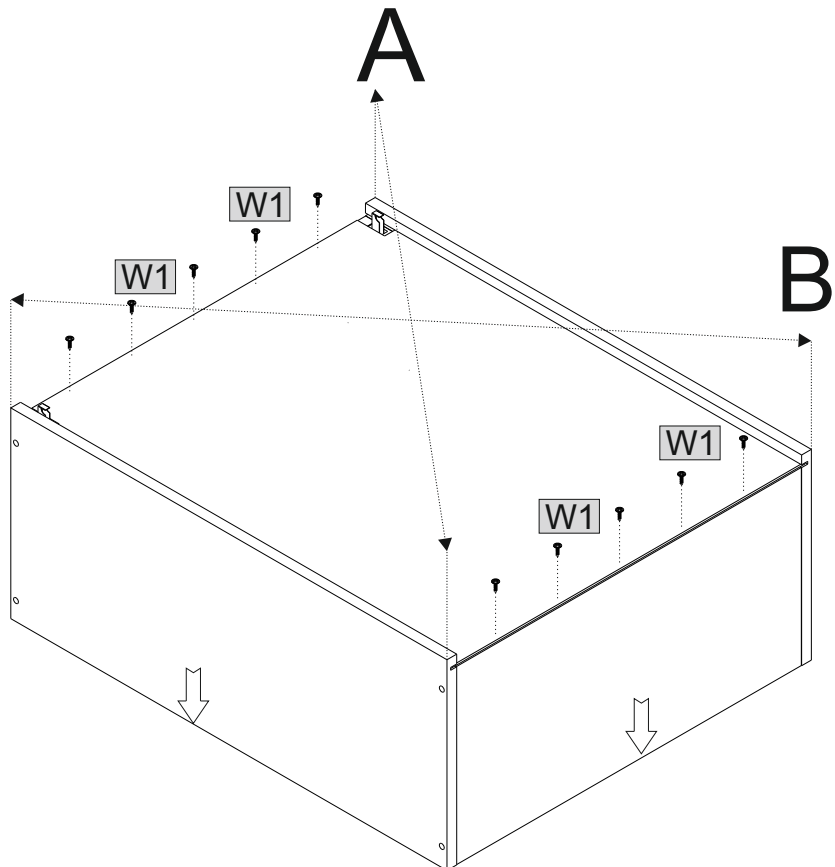
	7x50		
K1	4	KK1	1



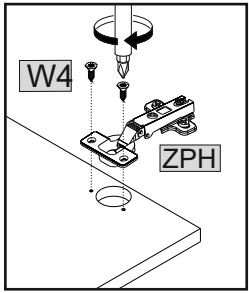
05


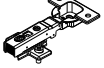


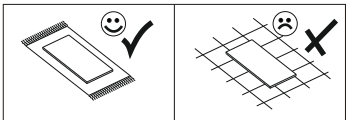
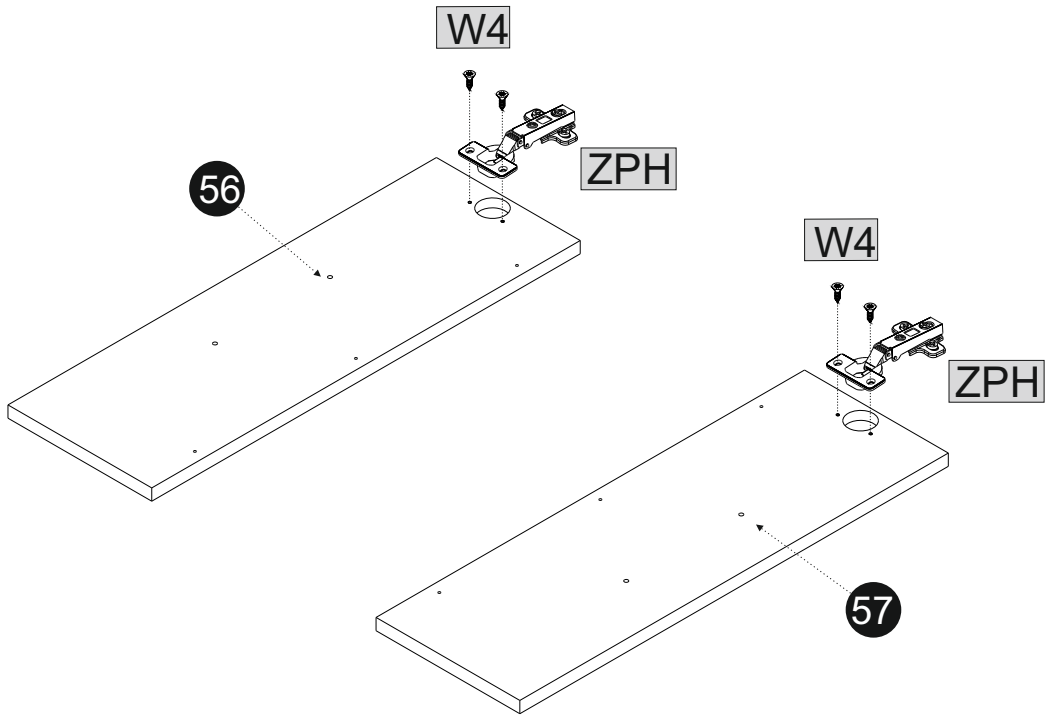
	3x16
W1	10



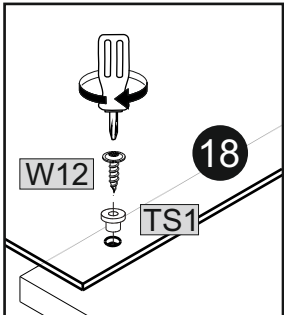
06

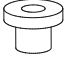



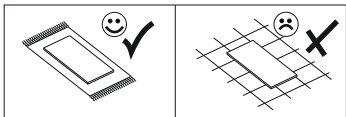
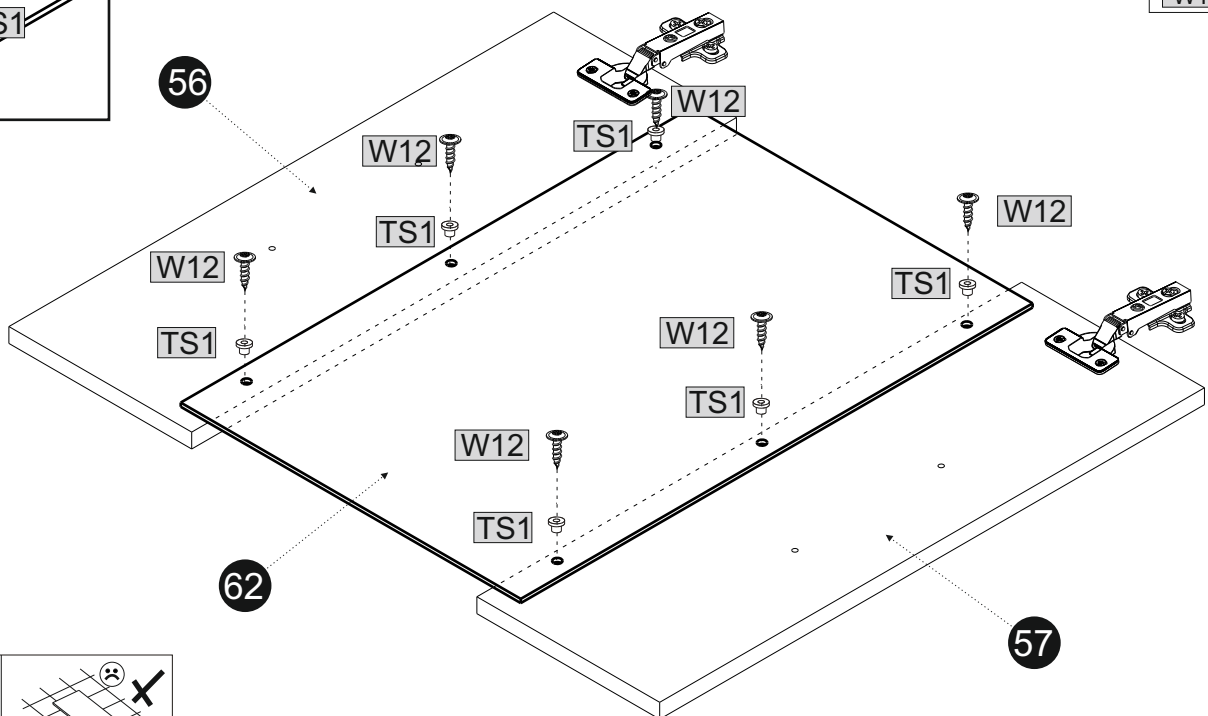
			
4x13			
W4	4	ZPH	2

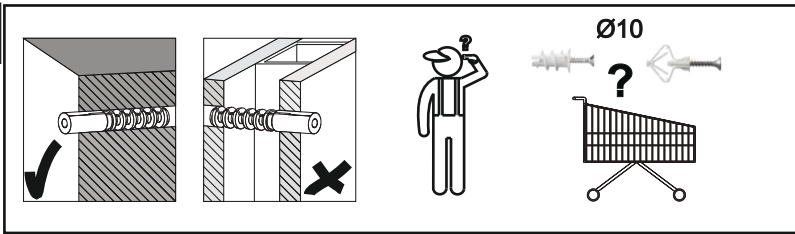


07

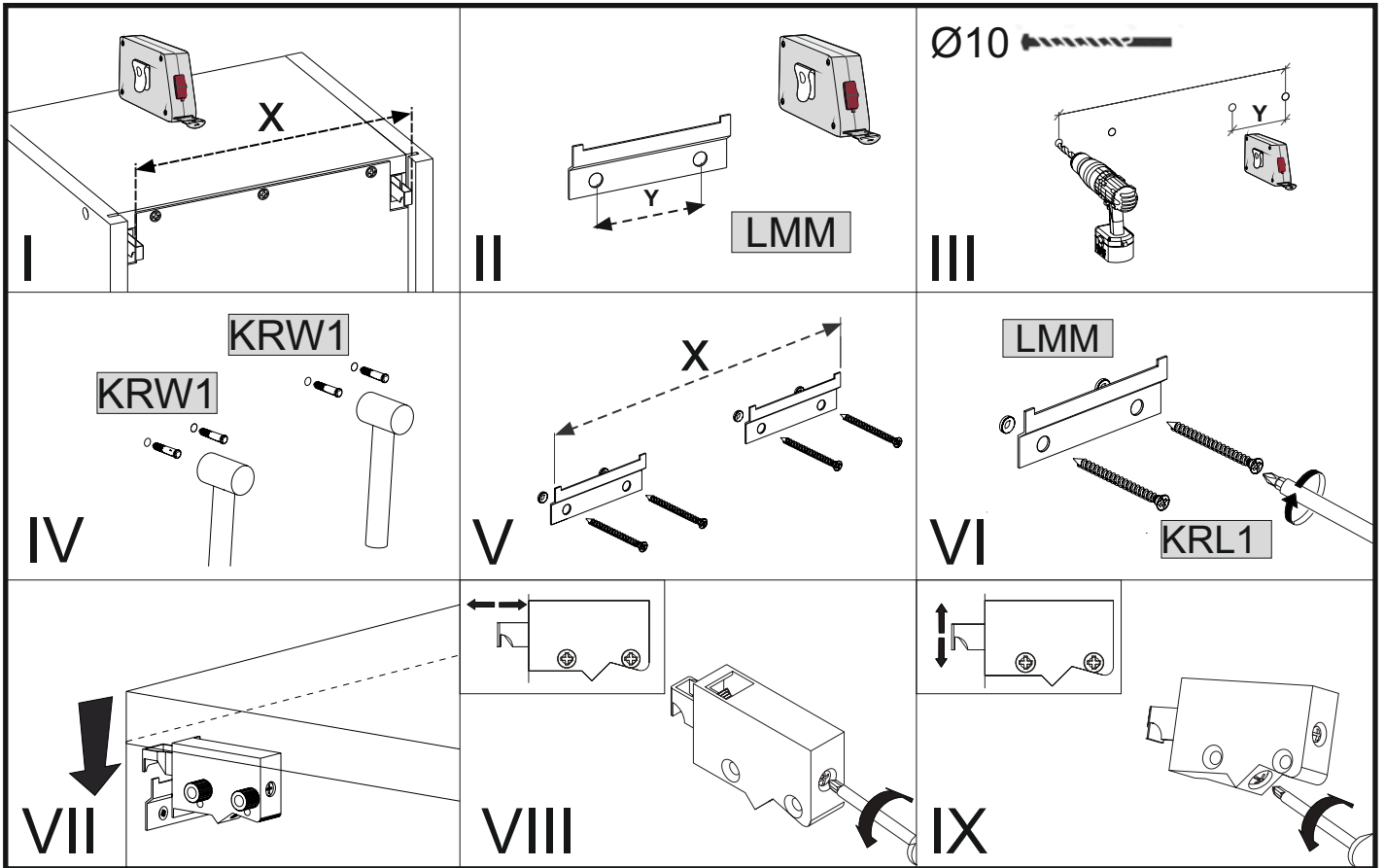


	
TS1	6
	
4x16	
W12	6

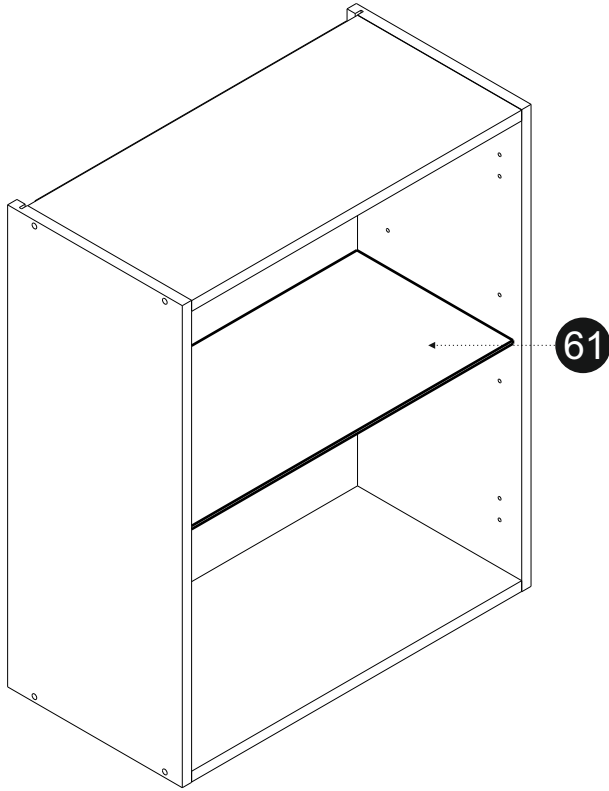
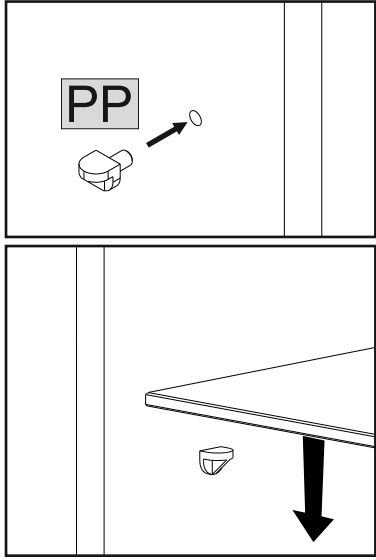




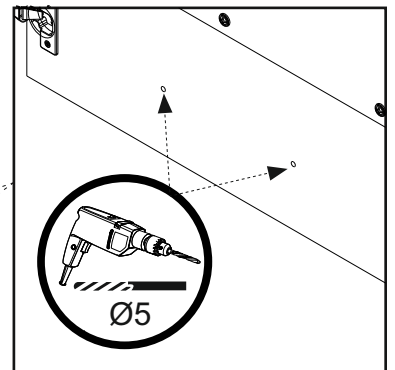
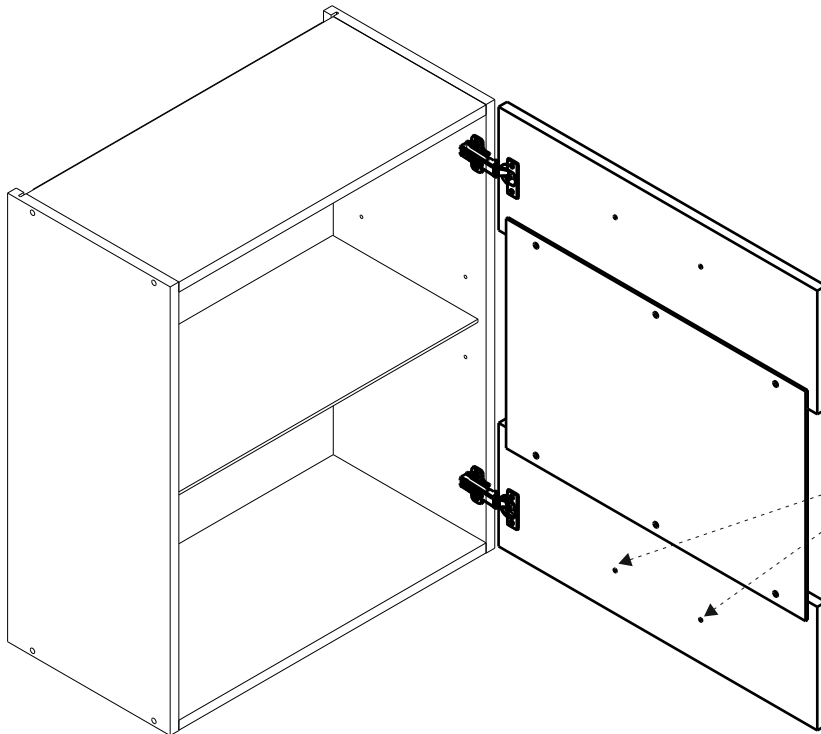
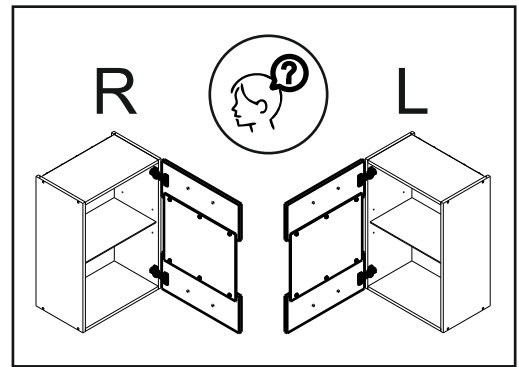
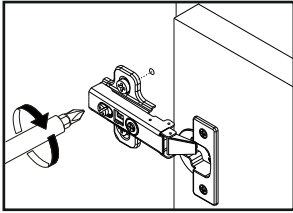
LMM	2	KRW1	4	KRL1	4
		10x50		6x50	



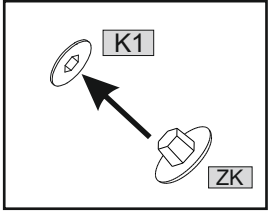
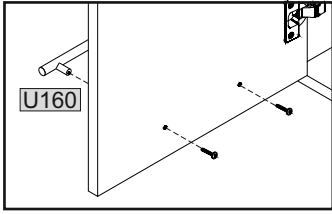
09



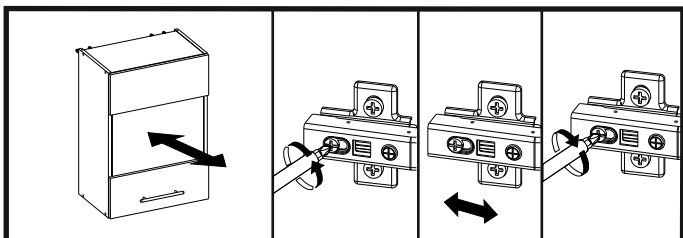
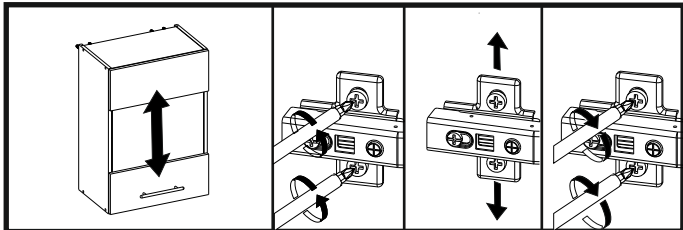
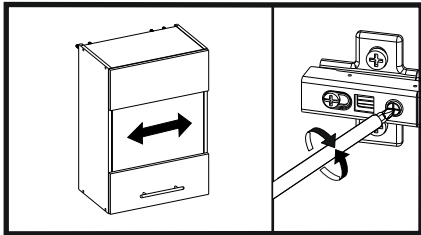
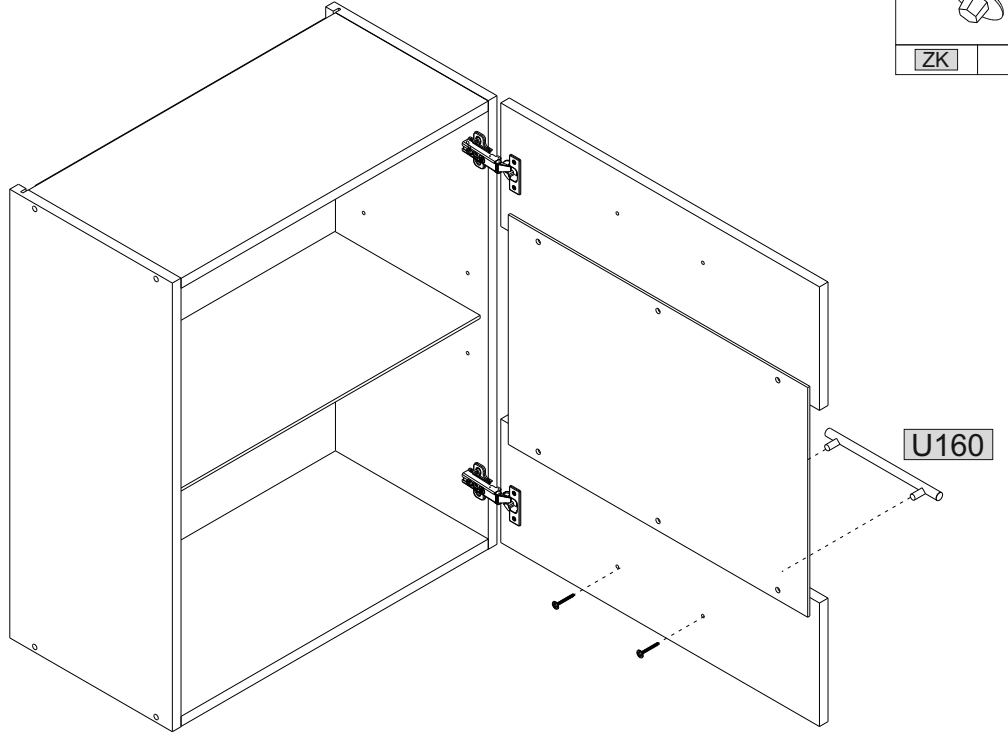
10



11

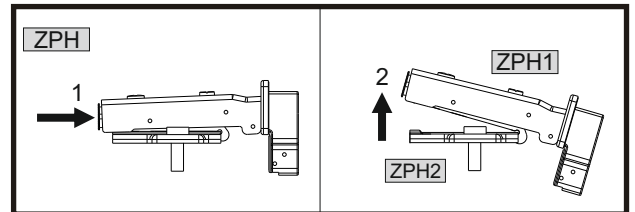
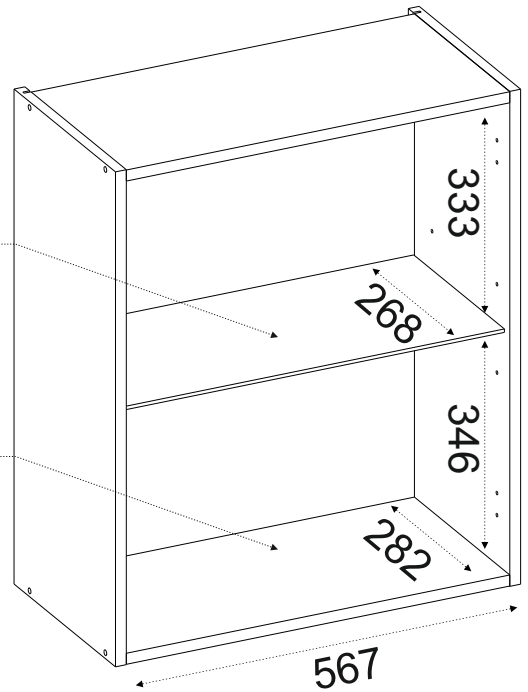


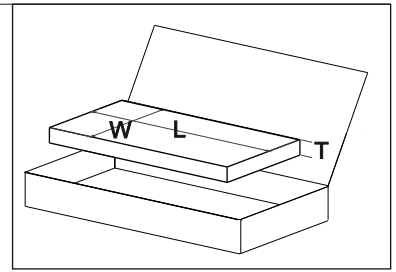
	1
	8



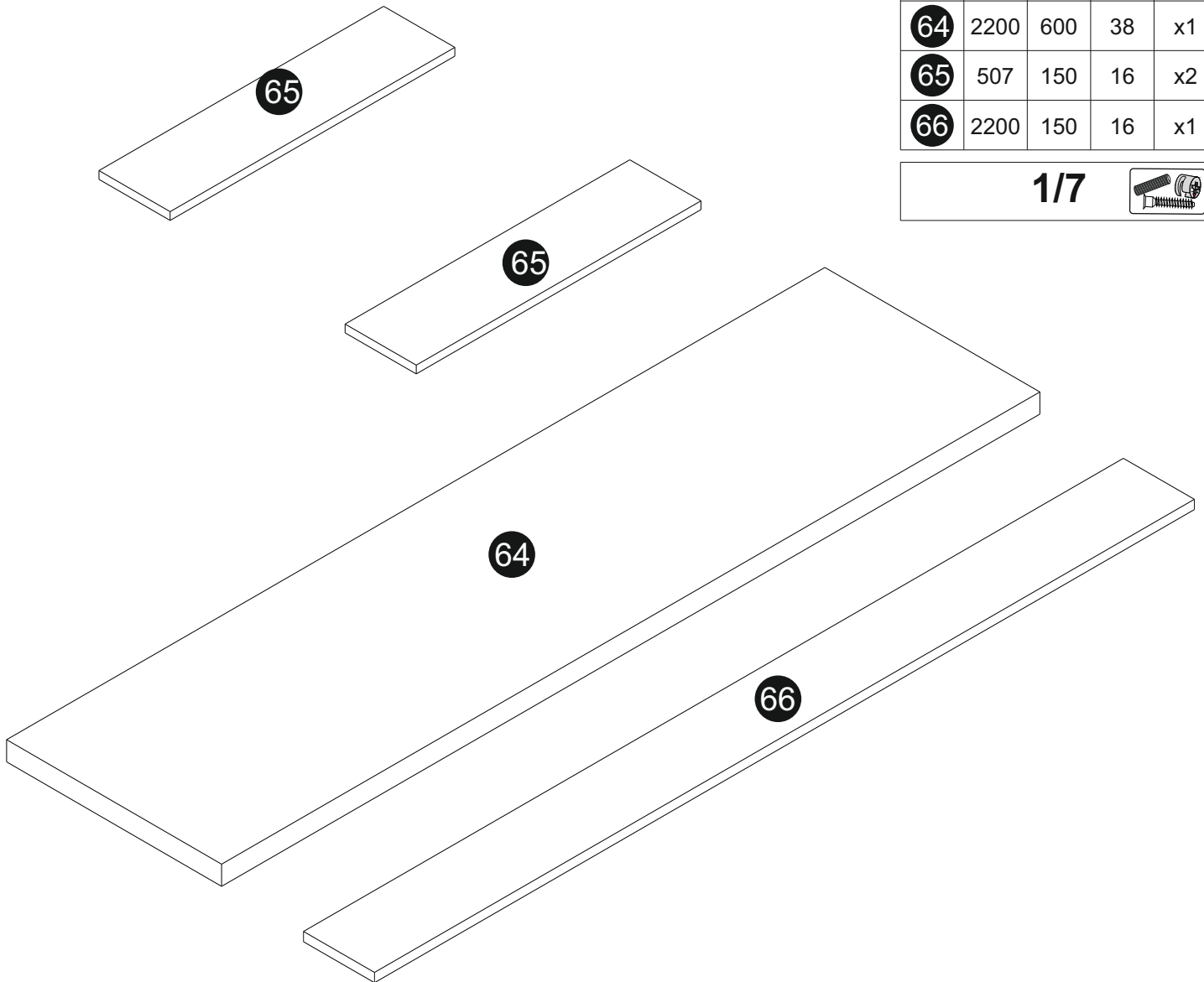
max.
3 kg

max.
10 kg







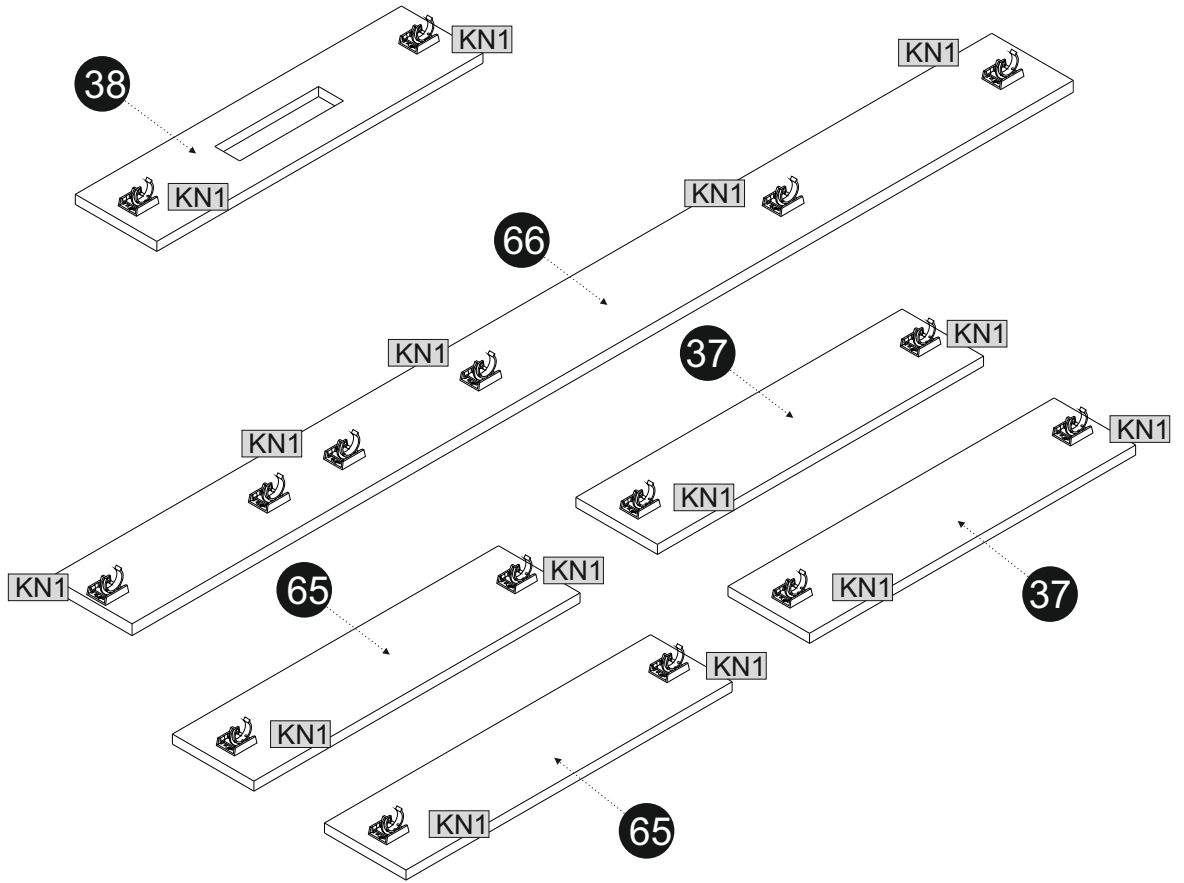
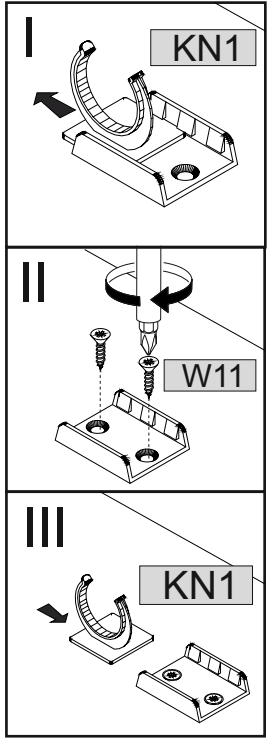
7/7				
	L [mm]	W [mm]	T [mm]	
64	2200	600	38	x1
65	507	150	16	x2
66	2200	150	16	x1





 3,5x16 W11 32	 KN1 16	 4x30 W7 4	 4x25 W14 6	 3x20 W2 3	 ZS1 3	 U160 1	 KO1 2
 3x16 W1 6	 ZM1 6	 ZK 8	 U160 3				

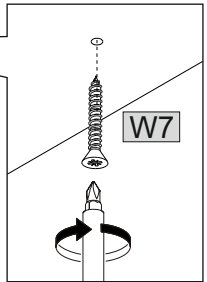
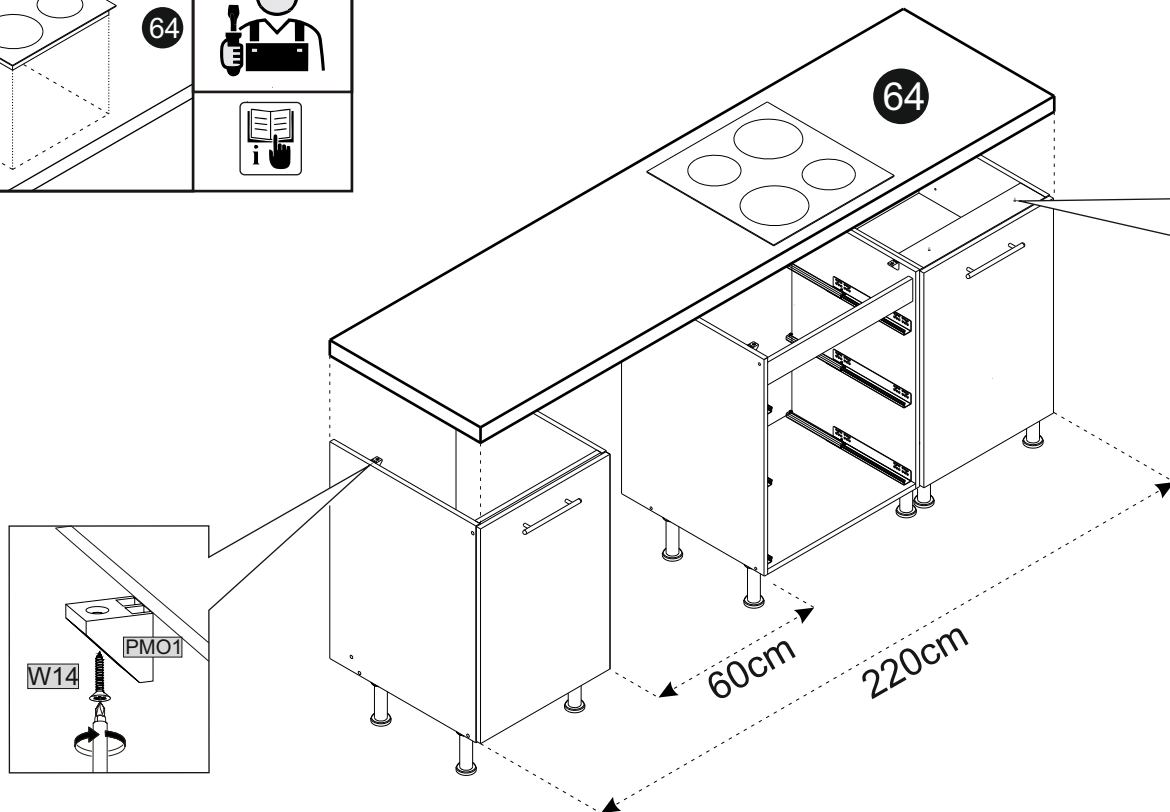
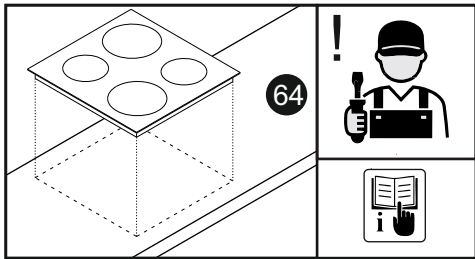
01

	3,5x16		
W11	32	KN1	16


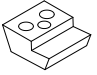


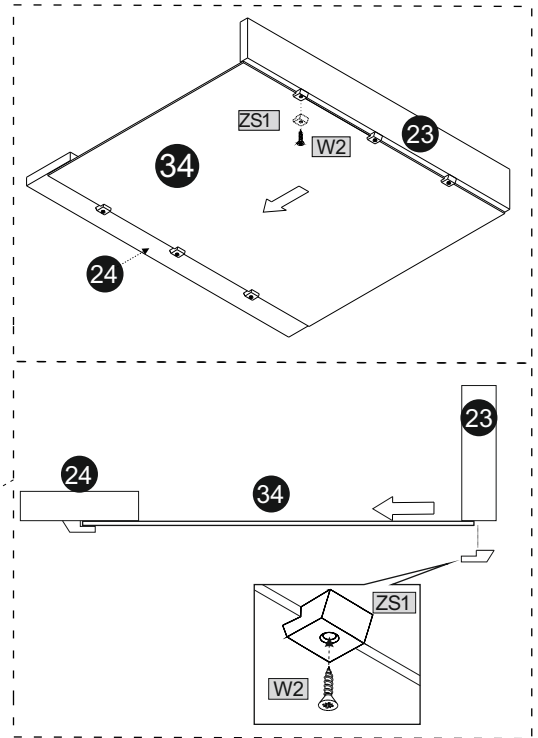
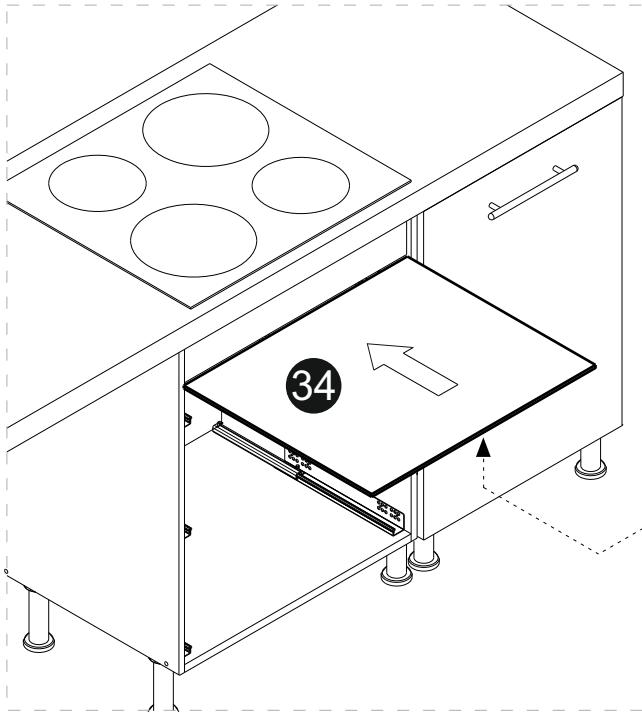
02

	4x25
W14	6
	4x30
W7	4




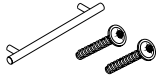


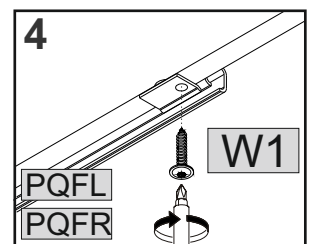
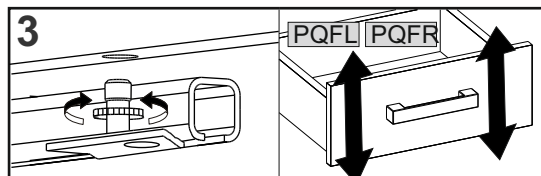
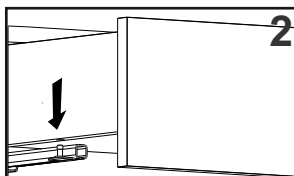
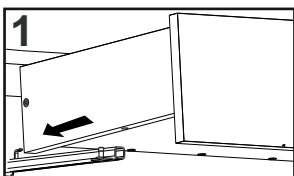
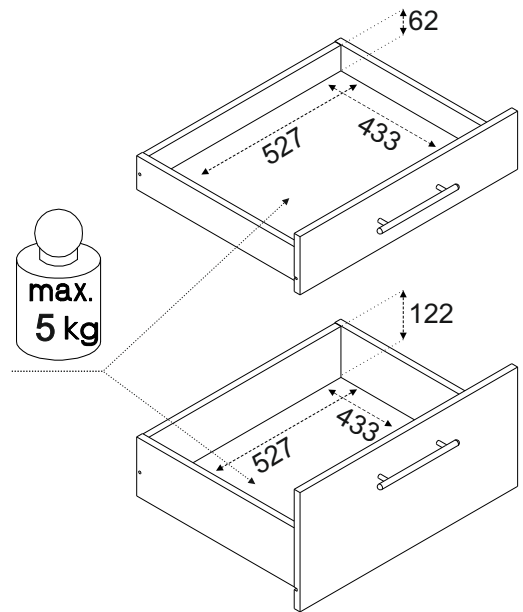
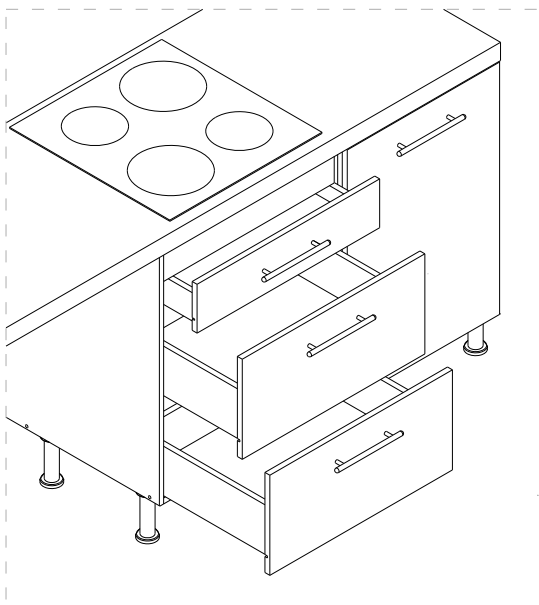
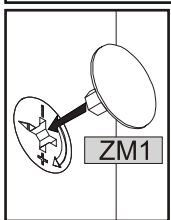
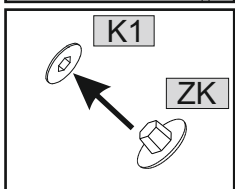
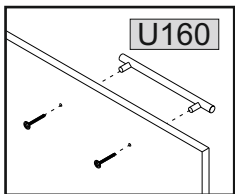
03

	3x20		
W2	3	ZS1	3



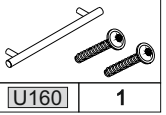
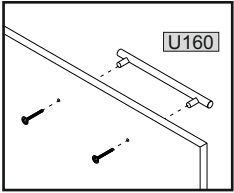
04

	3x16						
W1	6	ZM1	6	ZK	8	U160	3

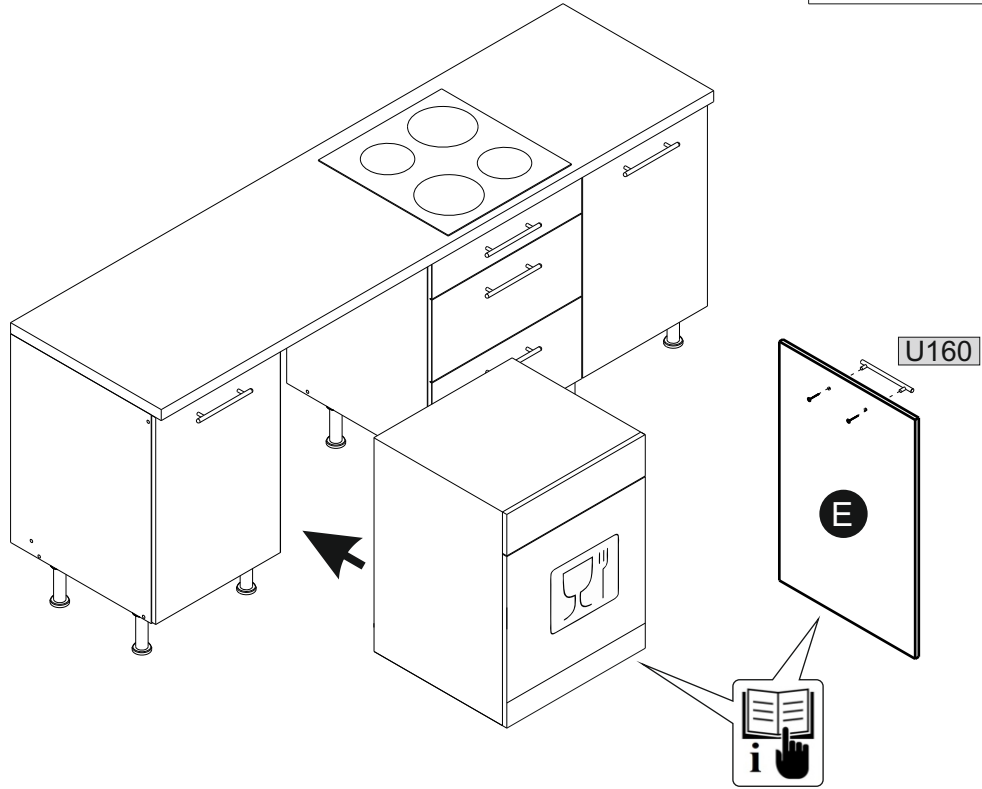


05

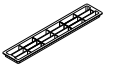
1/7



U160	1
------	---



06



KO1	2
-----	---

