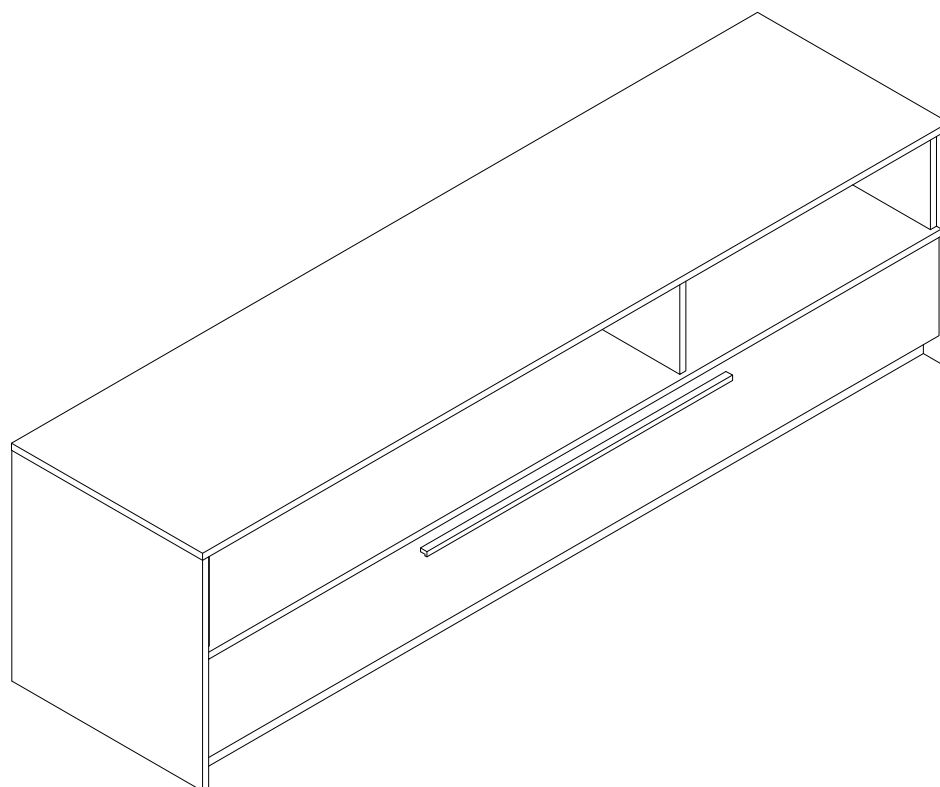
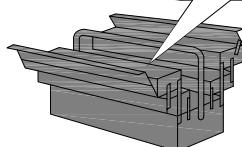
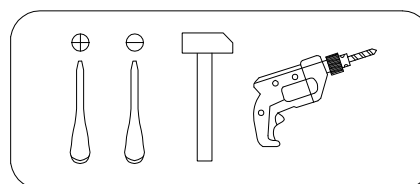
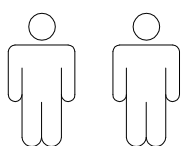


Art. Nr. 7262 4360

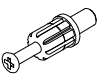

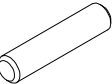
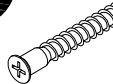
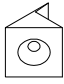
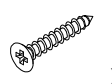




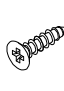
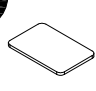


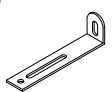



LKZ 41164



- | | |
|---|-------------------------------------|
| (D) Montageanleitung | (GB) Assembly instructions |
| (FR) Notice de montage | (IT) Istruzioni di montaggio |
| (NL) Handleiding voor de montage | (PL) Instrukcja montazu |
| (CZ) Montážní návod | (SK) Návod na montáž |
| (HU) Szerelési útmutató | (RO) Instrukțiuni de montaj |
| (TR) Montaj talimatı | (RU) Инструкция по монтажу |





| | | | | | |
|---|--|---|---|--|--|
| A 090913  7x32 x45 | B 000146  15x12 x45 | C 000151  8x35 x36 | D 101608  7x50 x18 | E 135021  x10 | F 000759  3x20 x10 |
| G 246955  x1 | H 013794  M4x22 x3 | I 168850  L400 x3 | J 235593  6x8 x12 | K 000767  3x13 x18 | L 230041  22x16 x6 |
| M 000138  x2 | N 100640  20x0.5 x5 | O 155999  x2 | P 013859  8x40 x2 | Q 090185  4.5x45 x2 | R 000754  3.5x16 x4 |

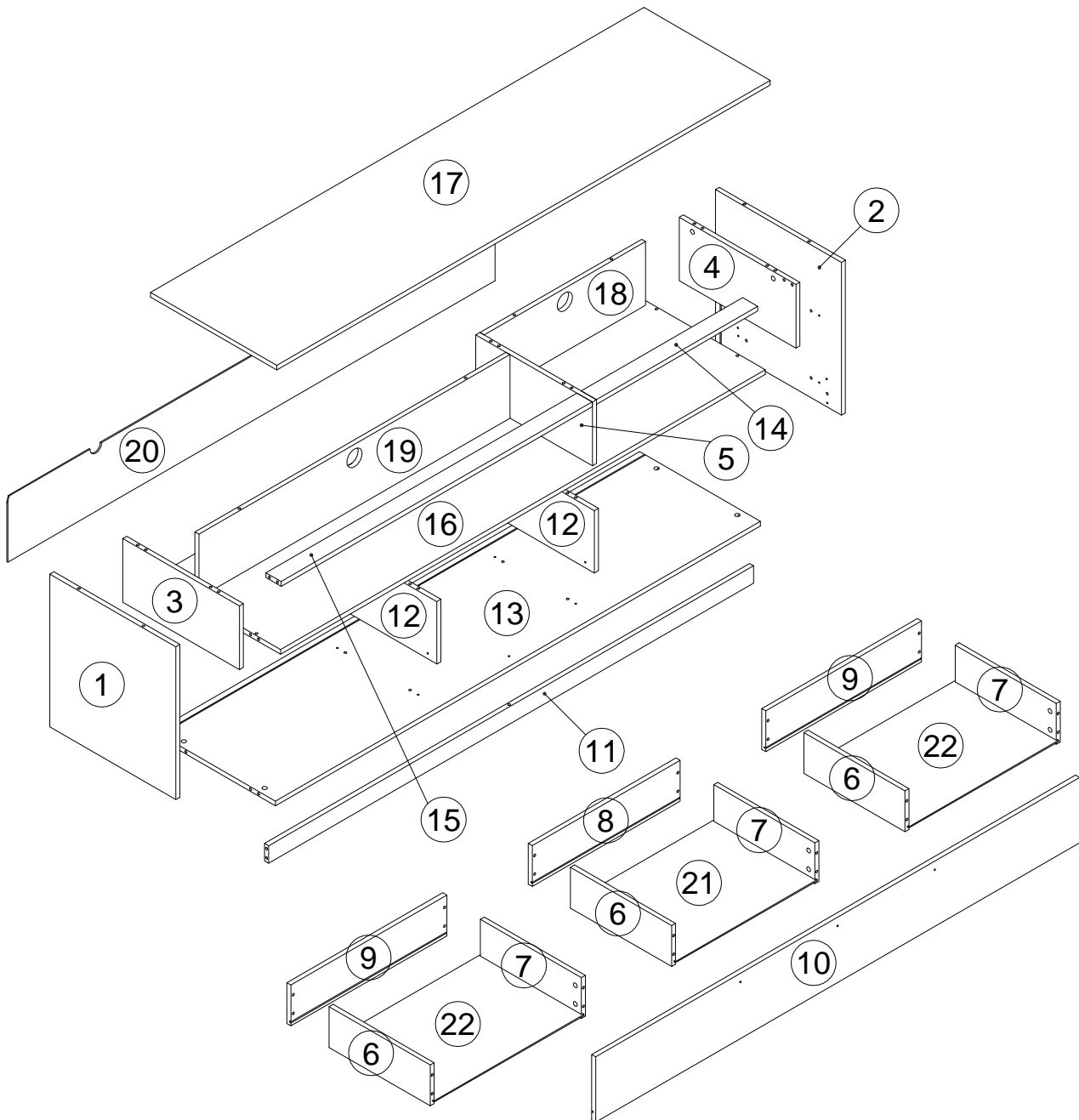
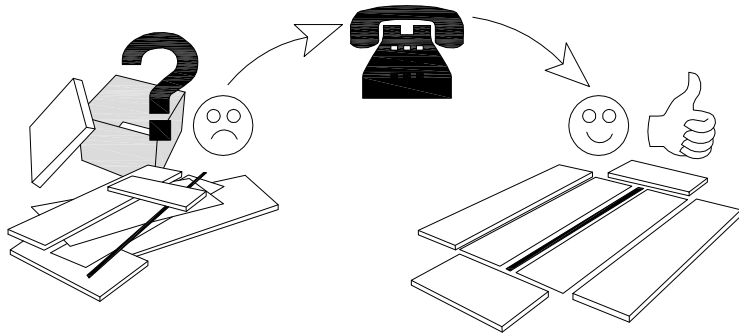
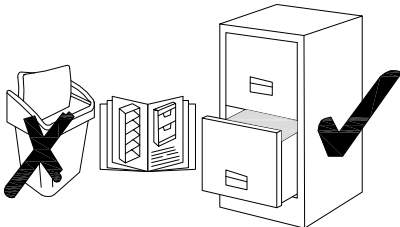
| N | Size/MaB (mm) | Qty | ✓ | N | Size/MaB (mm) | Qty | ✓ |
|----------|----------------------|------------|----------|----------|----------------------|------------|----------|
| 1 | 524x499x16 | 1 | | 12 | 214x454x16 | 2 | |
| 2 | 524x499x16 | 1 | | 13 | 1920x478x16 | 1 | |
| 3 | 218x462x16 | 1 | | 14 | 640x60x16 | 1 | |
| 4 | 218x462x16 | 1 | | 15 | 1232x60x16 | 1 | |
| 5 | 218x462x16 | 1 | | 16 | 1920x498x16 | 1 | |
| 6 | 400x140x16 | 3 | | 17 | 1954x500x16 | 1 | |
| 7 | 400x140x16 | 3 | | 18 | 640x218x16 | 1 | |
| 8 | 585x140x16 | 1 | | 19 | 1232x218x16 | 1 | |
| 9 | 617x140x16 | 2 | | 20 | 1930x224x3 | 1 | |
| 10 | 1916x224x16 | 1 | | 21 | 561x410x3 | 1 | |
| 11 | 1920x60x16 | 1 | | 22 | 593x410x3 | 2 | |

Service - Dienstverlening - Serwis - Servis - Сервисная служба

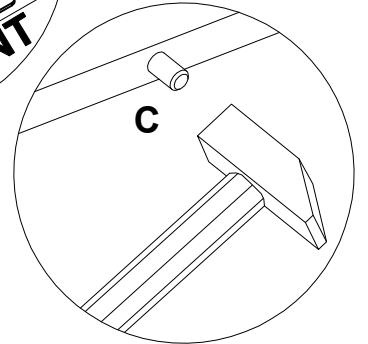
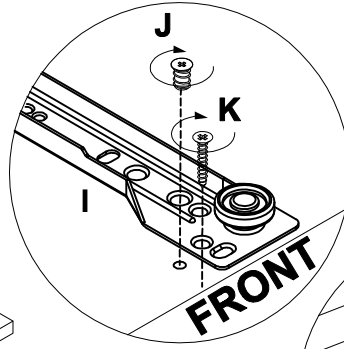
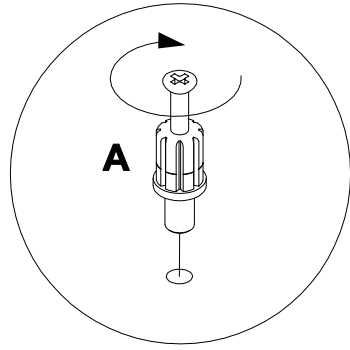
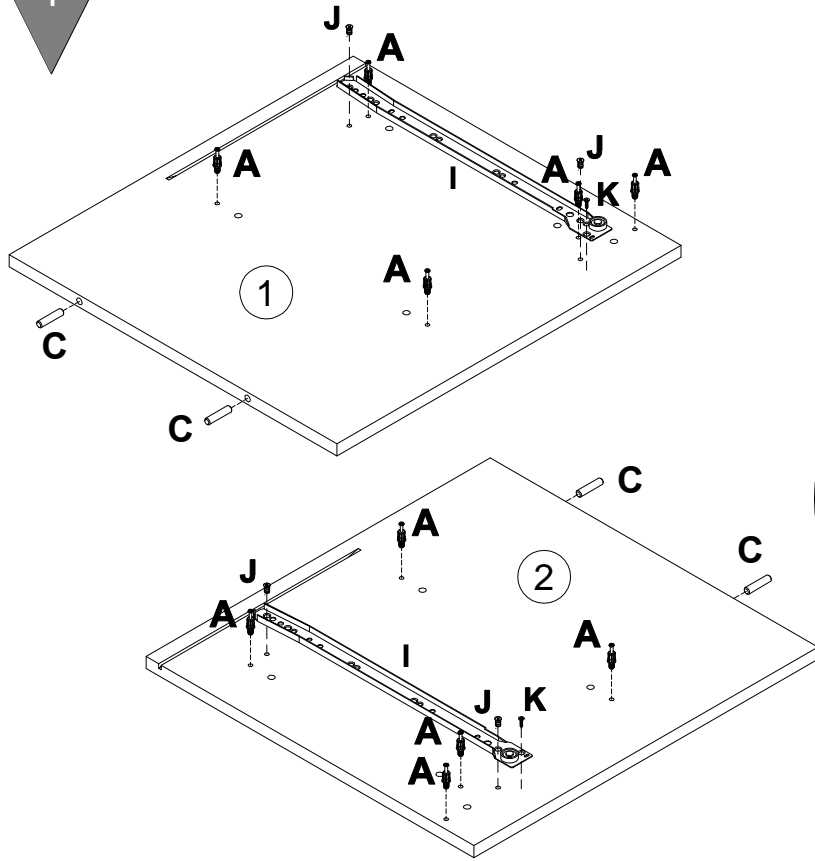
Name - Naam - Nazwa - Isim - Название

Nr. - No. - Номер

Typ - Type - Тип - Тип

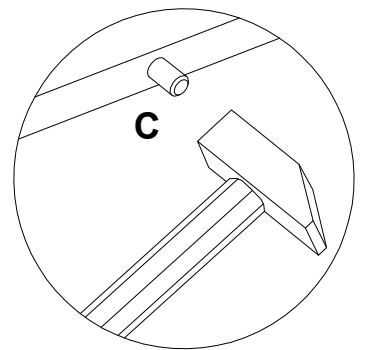
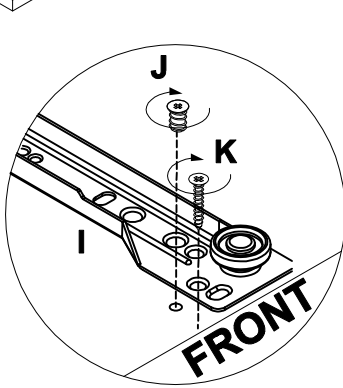
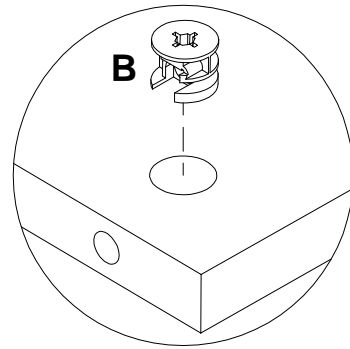
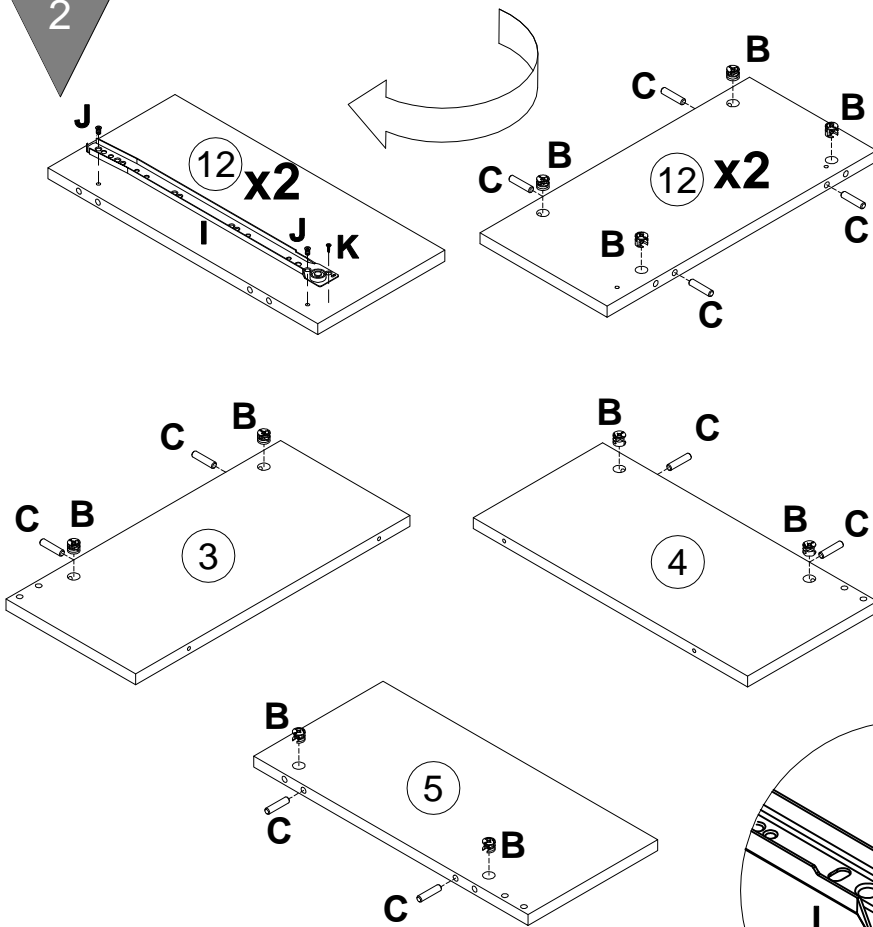


1





| | | |
|----------|--|------------|
| A | | 7x32 |
| 090913 | | x10 |
| C | | 8x35 |
| 000151 | | x4 |
| I | | L400 |
| 168850 | | x2 |
| J | | 6x8 |
| 235593 | | x4 |
| K | | 3x13 |
| 000767 | | x2 |

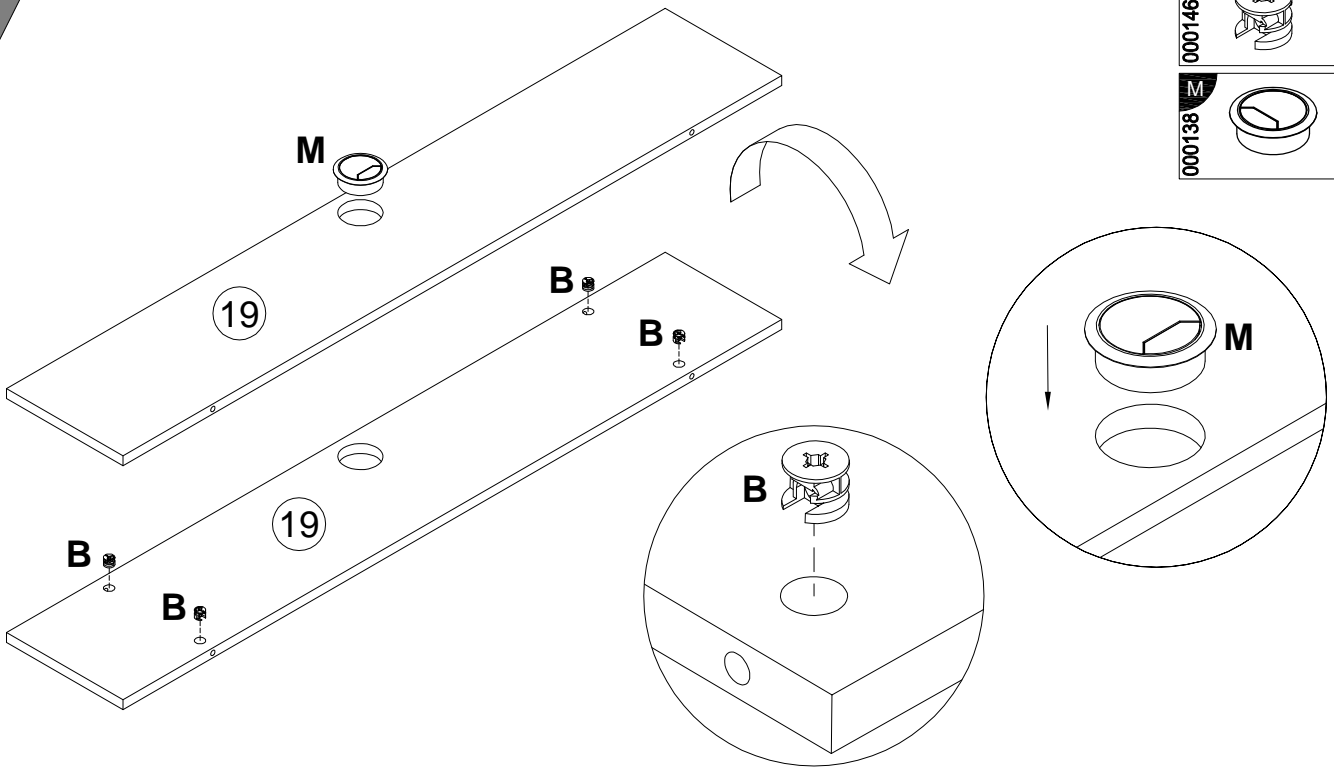
2




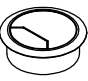
| | | |
|----------|--|------------|
| B | | 15x12 |
| 000146 | | x14 |
| C | | 8x35 |
| 000151 | | x14 |
| I | | L400 |
| 168850 | | x2 |
| J | | 6x8 |
| 235593 | | x4 |
| K | | 3x13 |
| 000767 | | x2 |

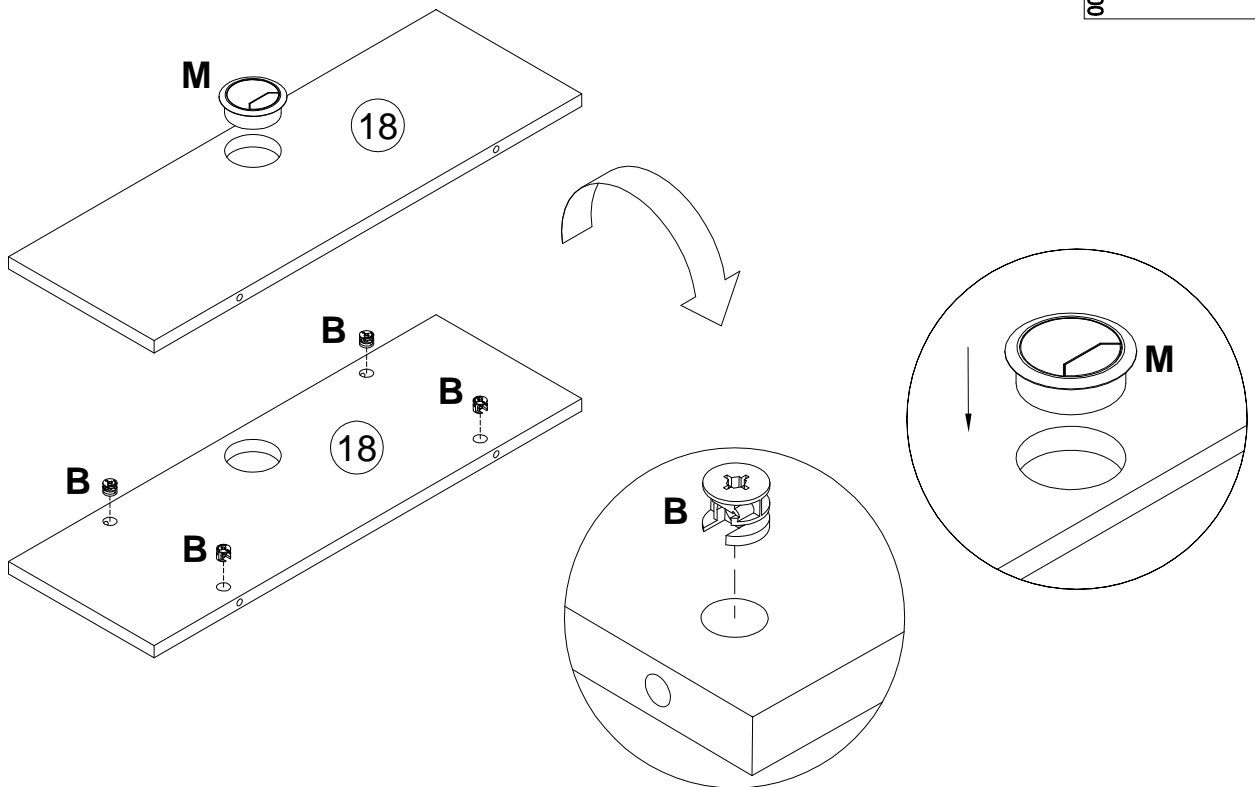
3

| | |
|----------|--|
| B | 15x12 |
| 000146 |  x4 |
| M | |
| 000138 |  x1 |

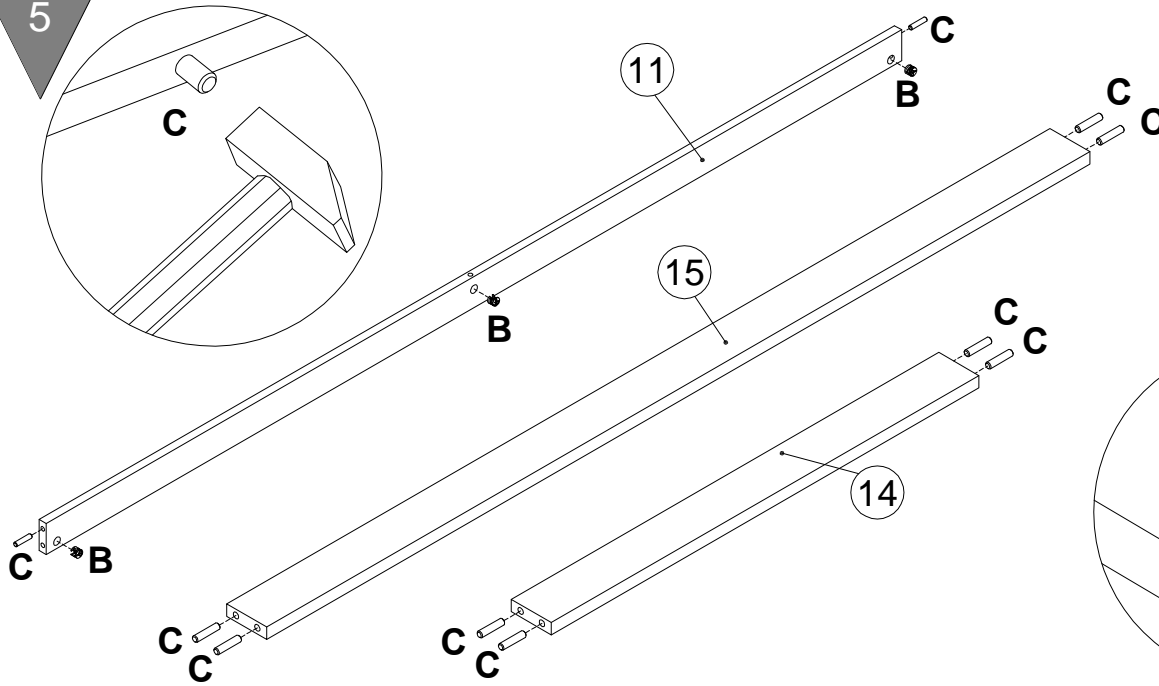


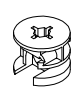
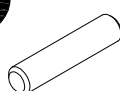
4

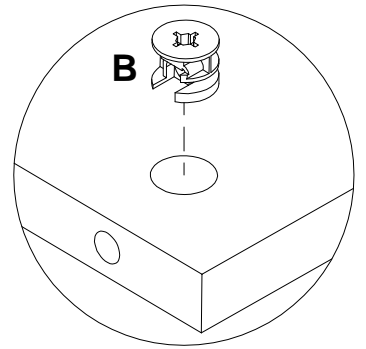
| | |
|----------|--|
| B | 15x12 |
| 000146 |  x4 |
| M | |
| 000138 |  x1 |



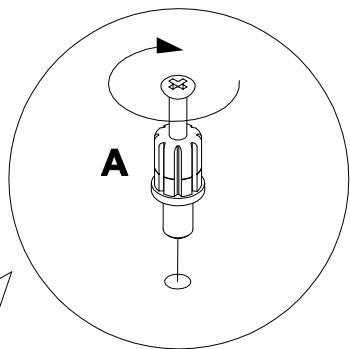
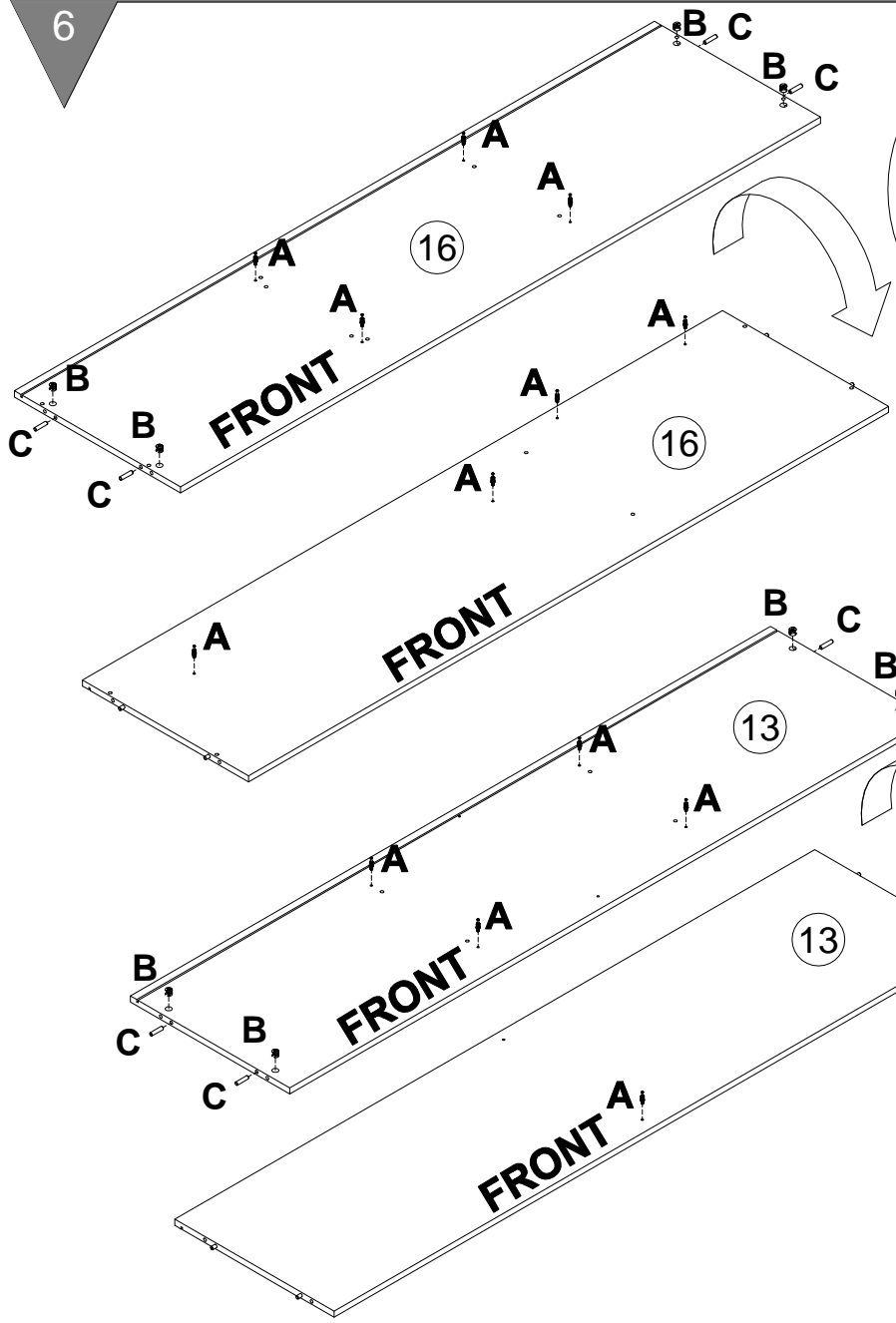
5

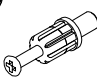

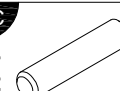


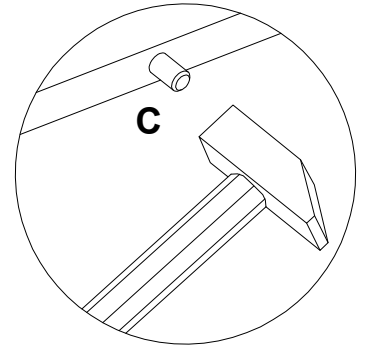
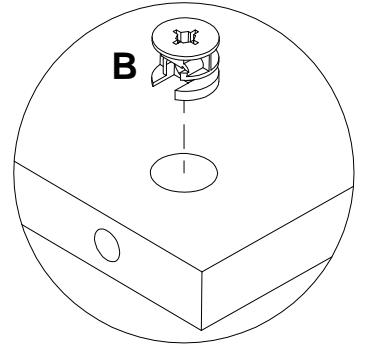
| | | |
|----------|---|------------|
| B |  | 15x12 |
| 000146 | | x3 |
| C |  | 8x35 |
| 000151 | | x10 |



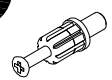
6

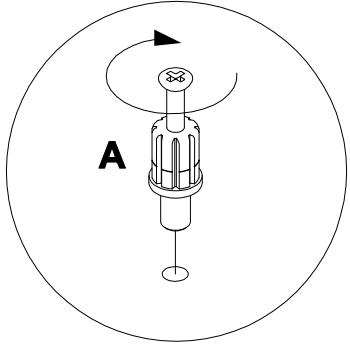
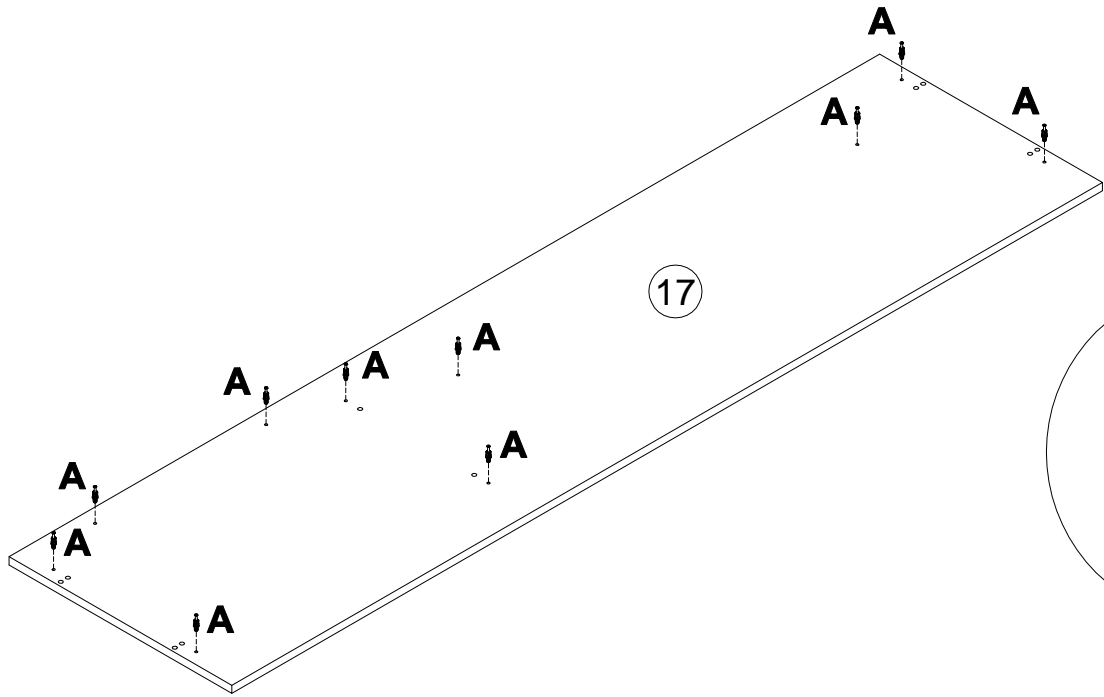


| | | |
|----------|---|------------|
| A |  | 7x32 |
| 090913 | | x13 |
| B |  | 15x12 |
| 000146 | | x8 |
| C |  | 8x35 |
| 000151 | | x8 |

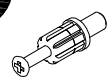



7

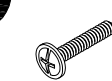
| | | |
|----------|---|------------|
| A |  | 7x32 |
| | | x10 |

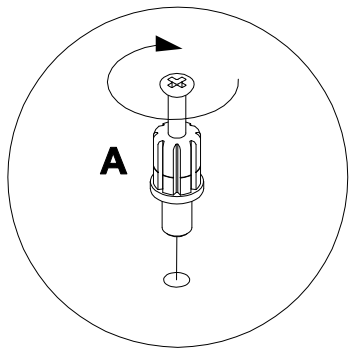
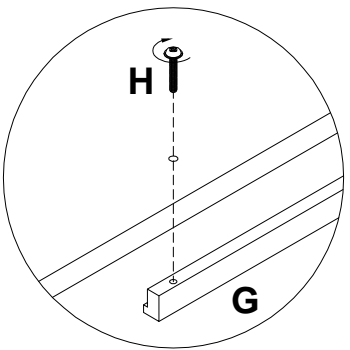
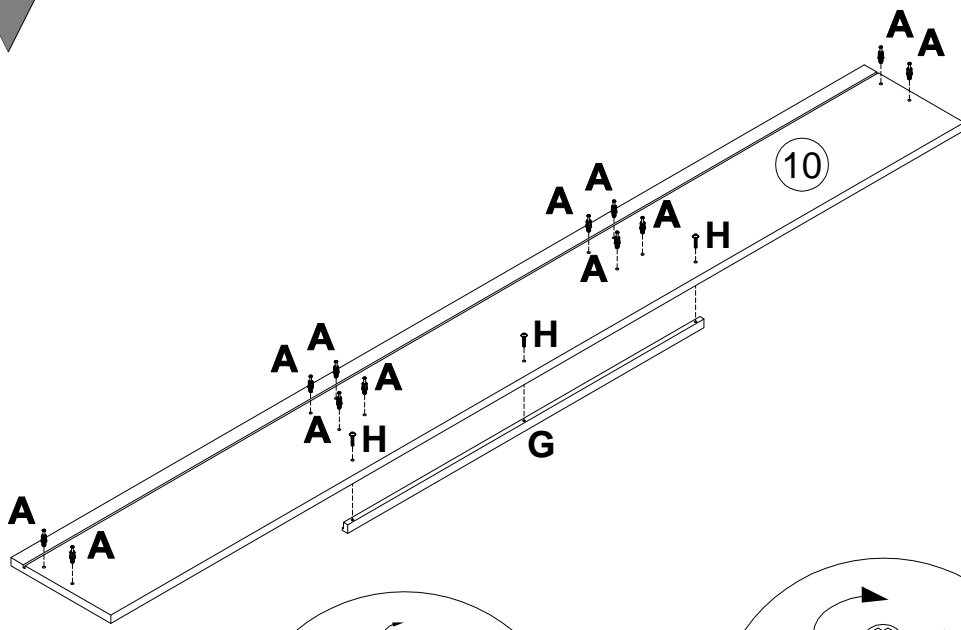


8

| | | |
|----------|---|------------|
| A |  | 7x32 |
| | | x12 |

| | | |
|----------|---|-----------|
| G |  | |
| | | X1 |

| | | |
|----------|---|-----------|
| H |  | M4x22 |
| | | x3 |



9

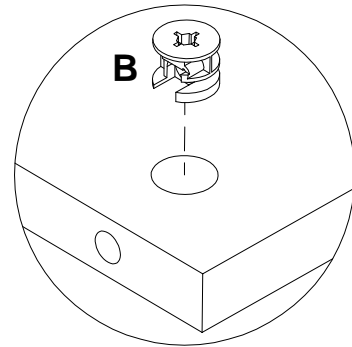
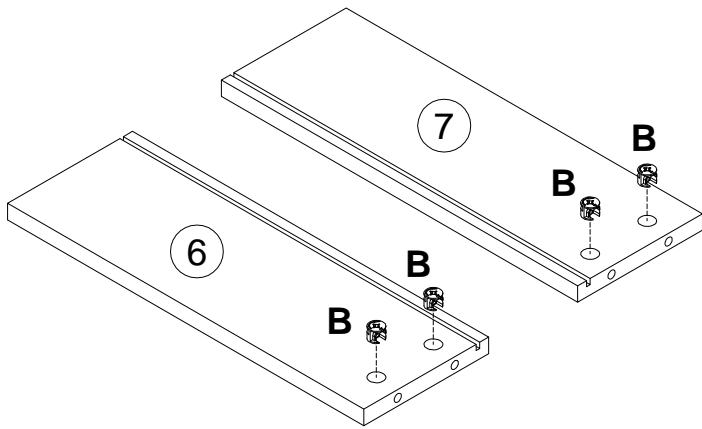
x3

000146 B



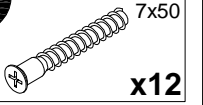
15x12

x12

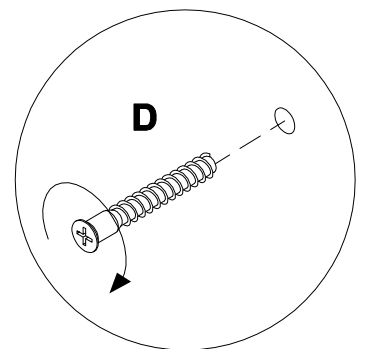
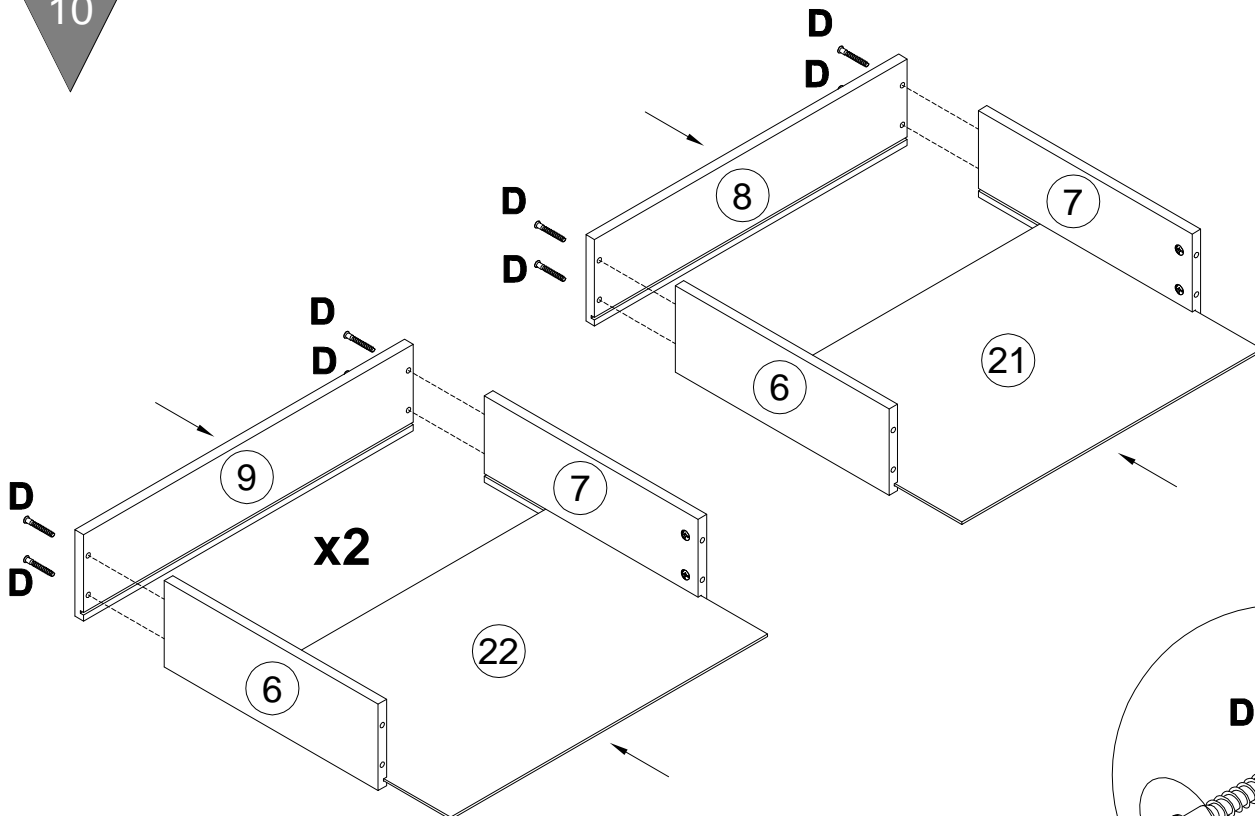


10

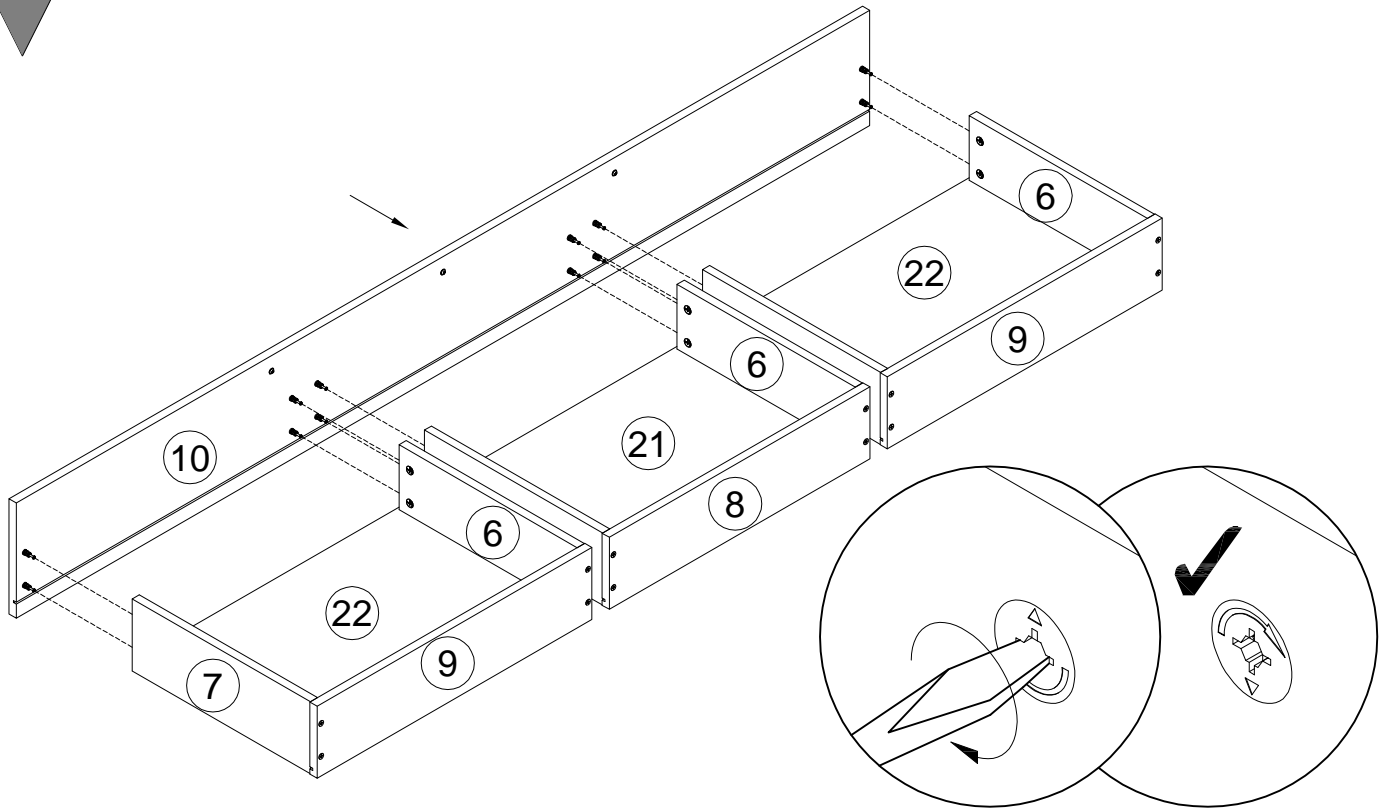
101608 D



x12

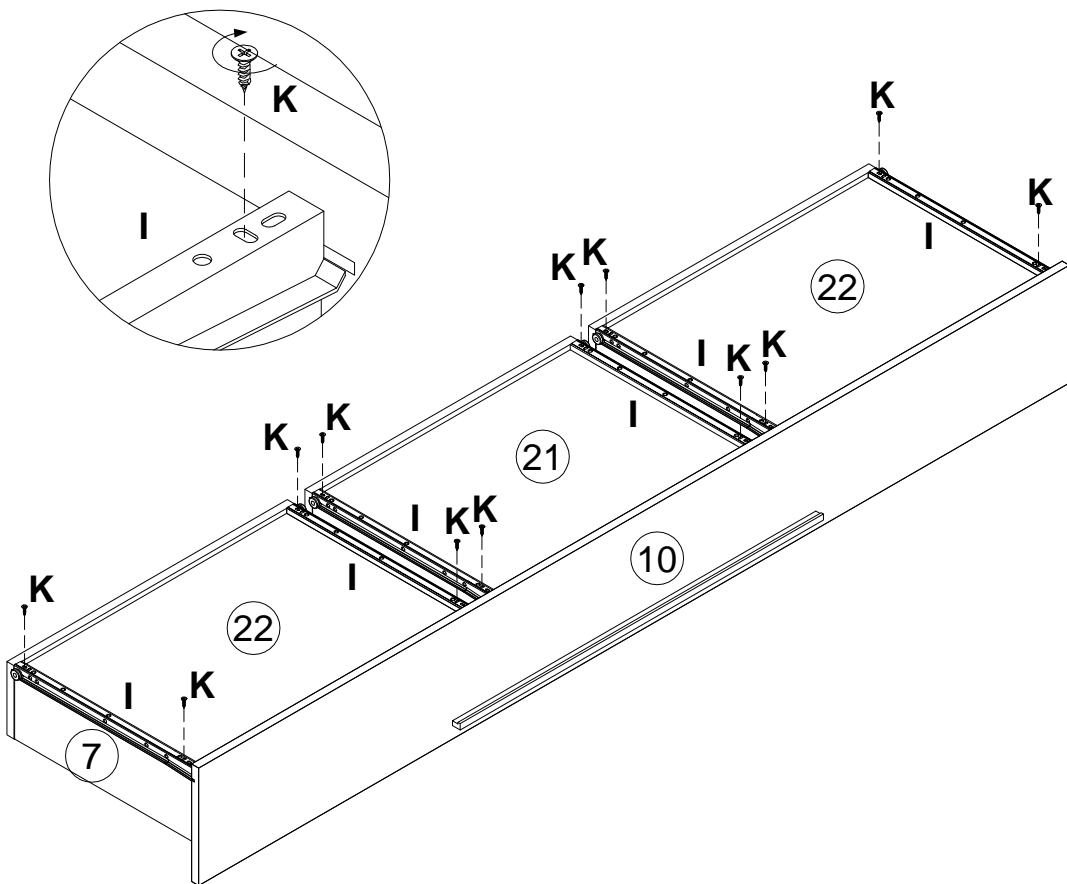


11

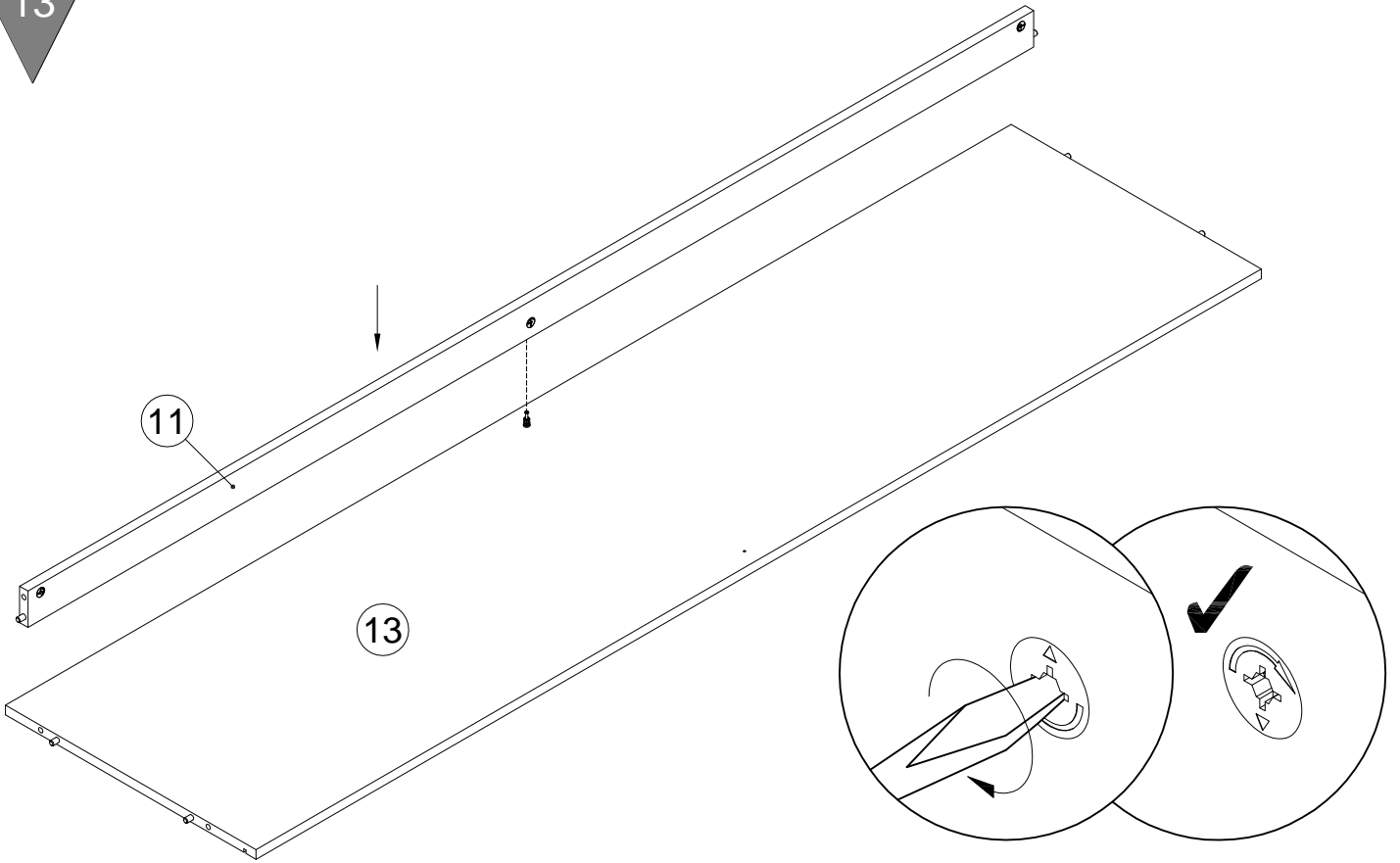


12

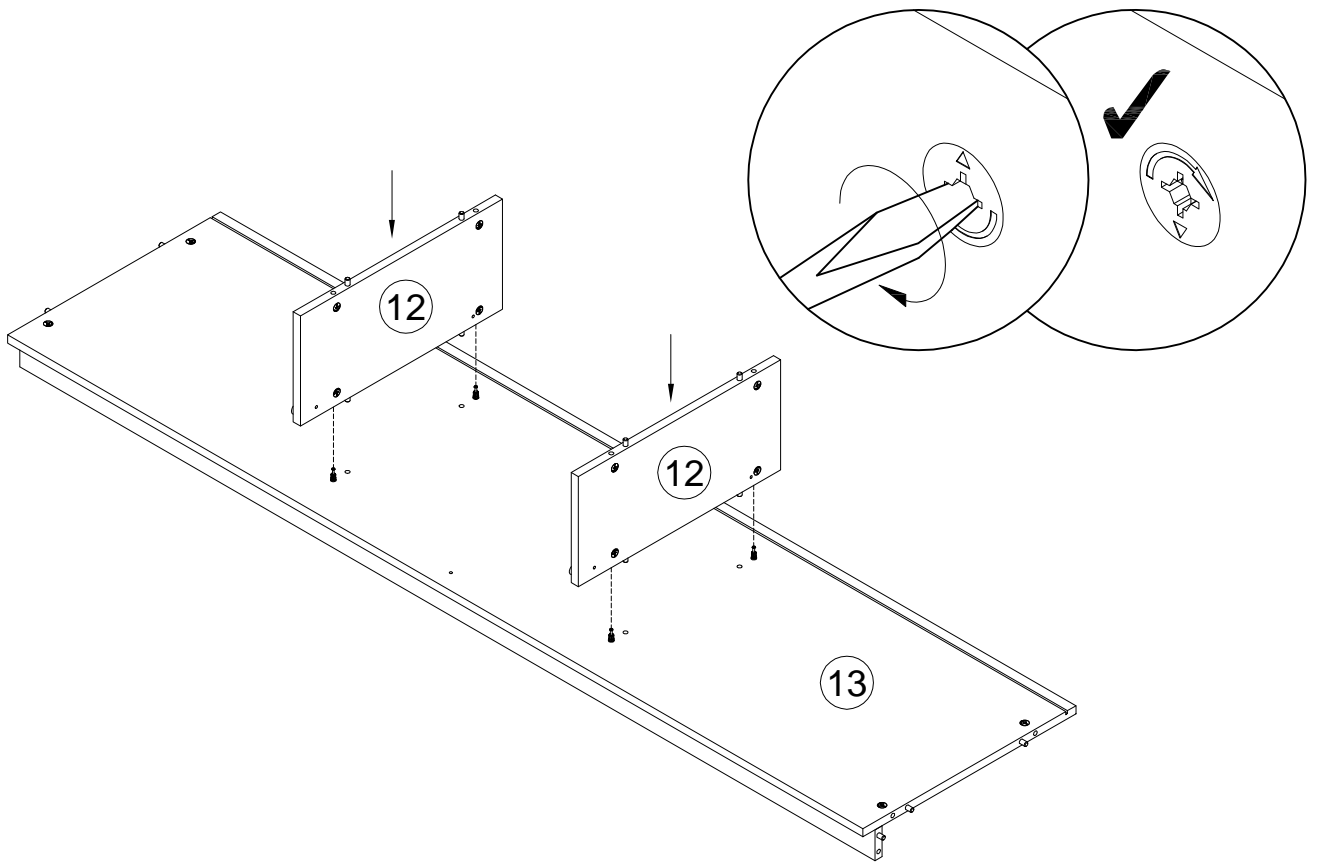
| | |
|--------|------|
| I | L400 |
| 168850 | x3 |
| K | 3x13 |
| 000767 | x12 |



13

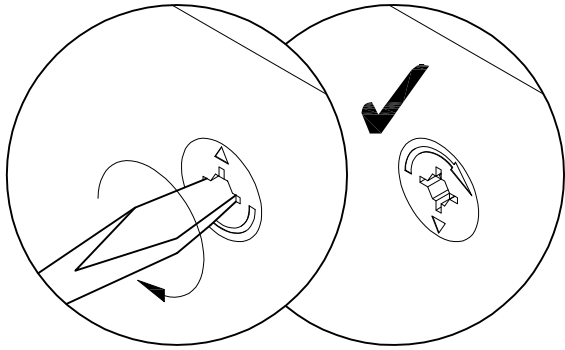
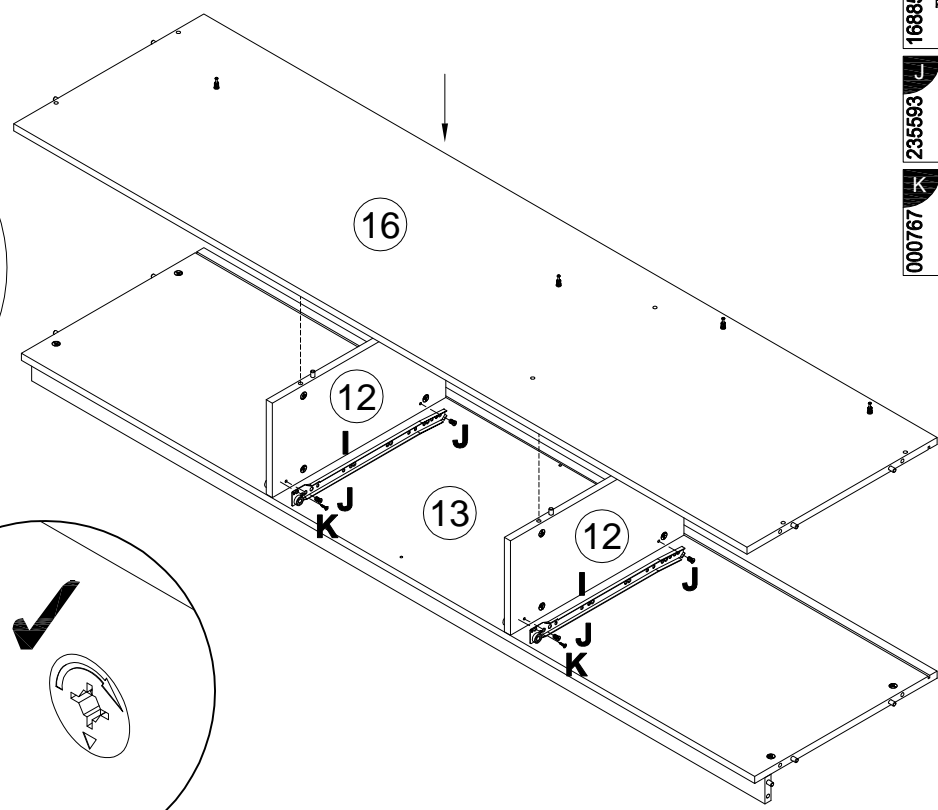
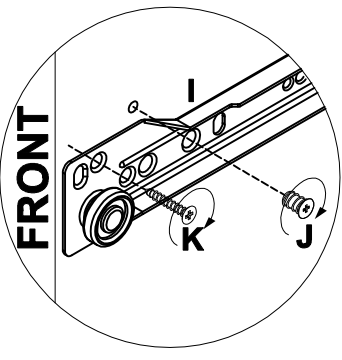


14

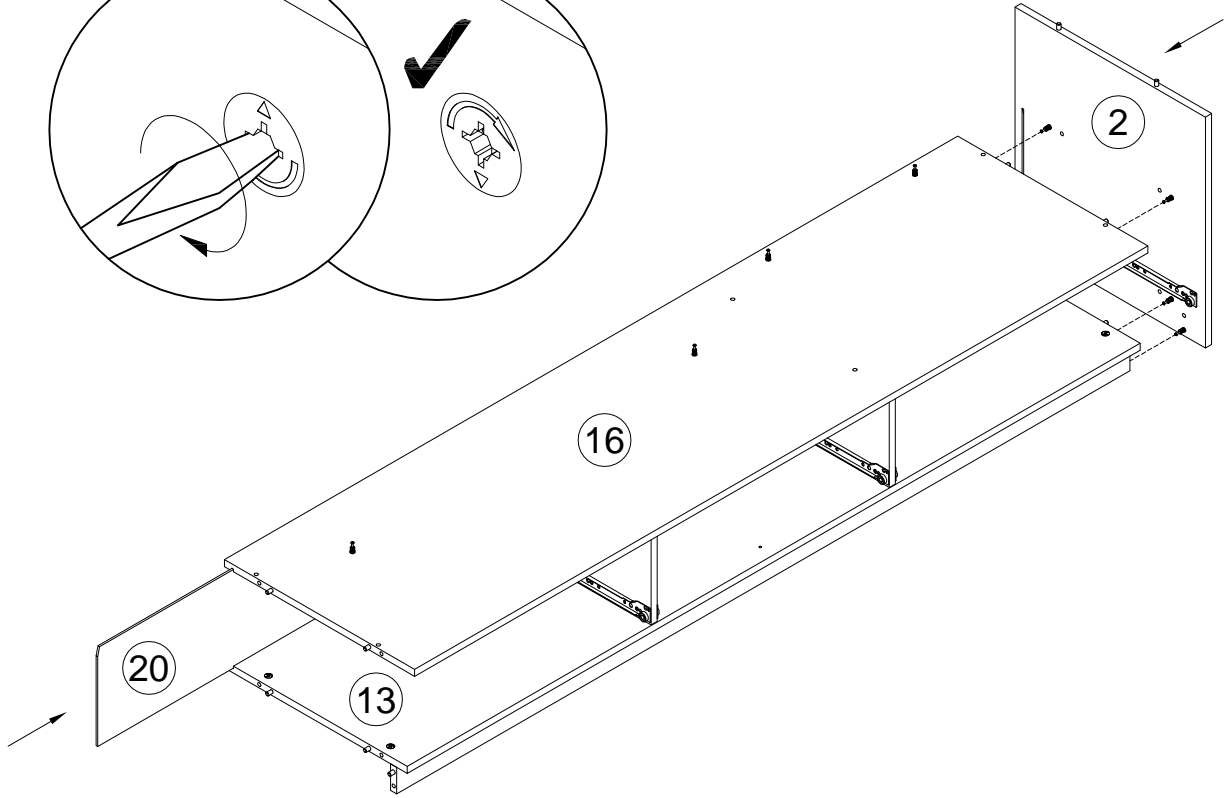
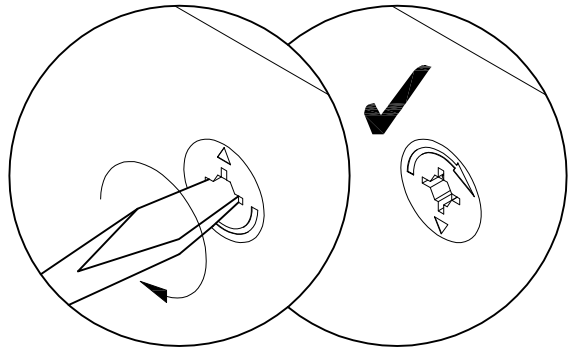


15

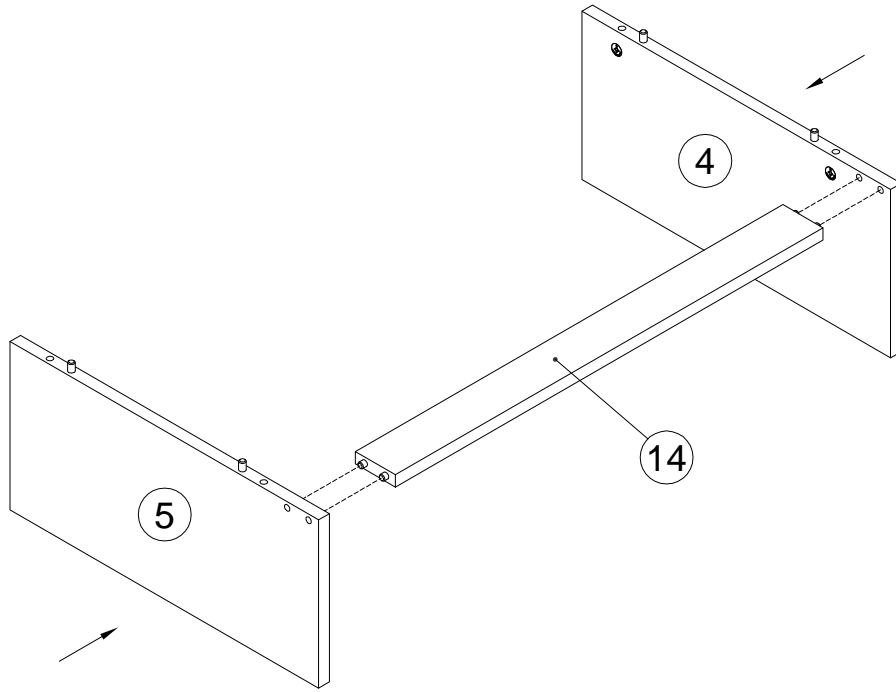
| | | | |
|---|--------|------|----|
| I | 168850 | L400 | x2 |
| J | 235593 | 6x8 | x4 |
| K | 000767 | 3x13 | x2 |



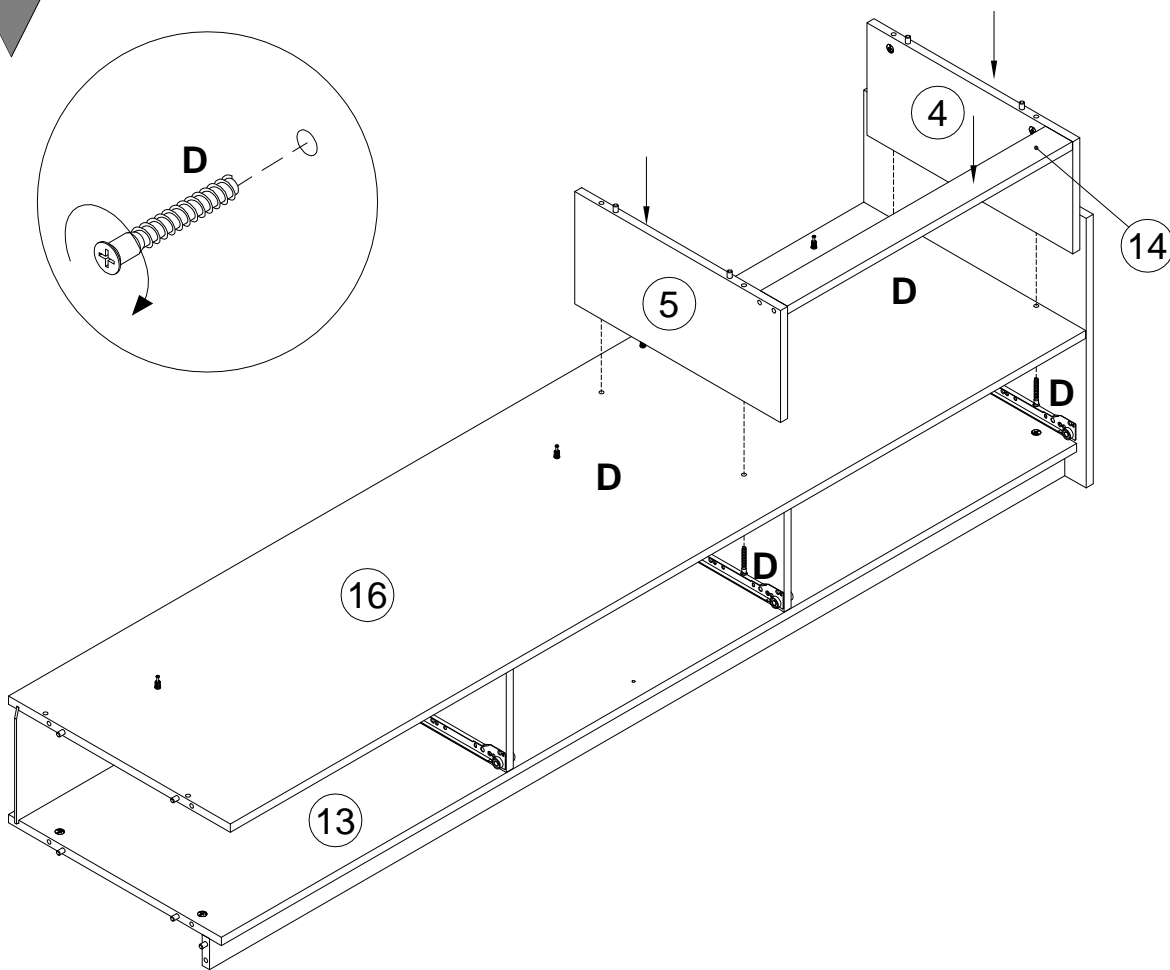
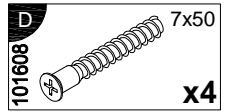
16



17

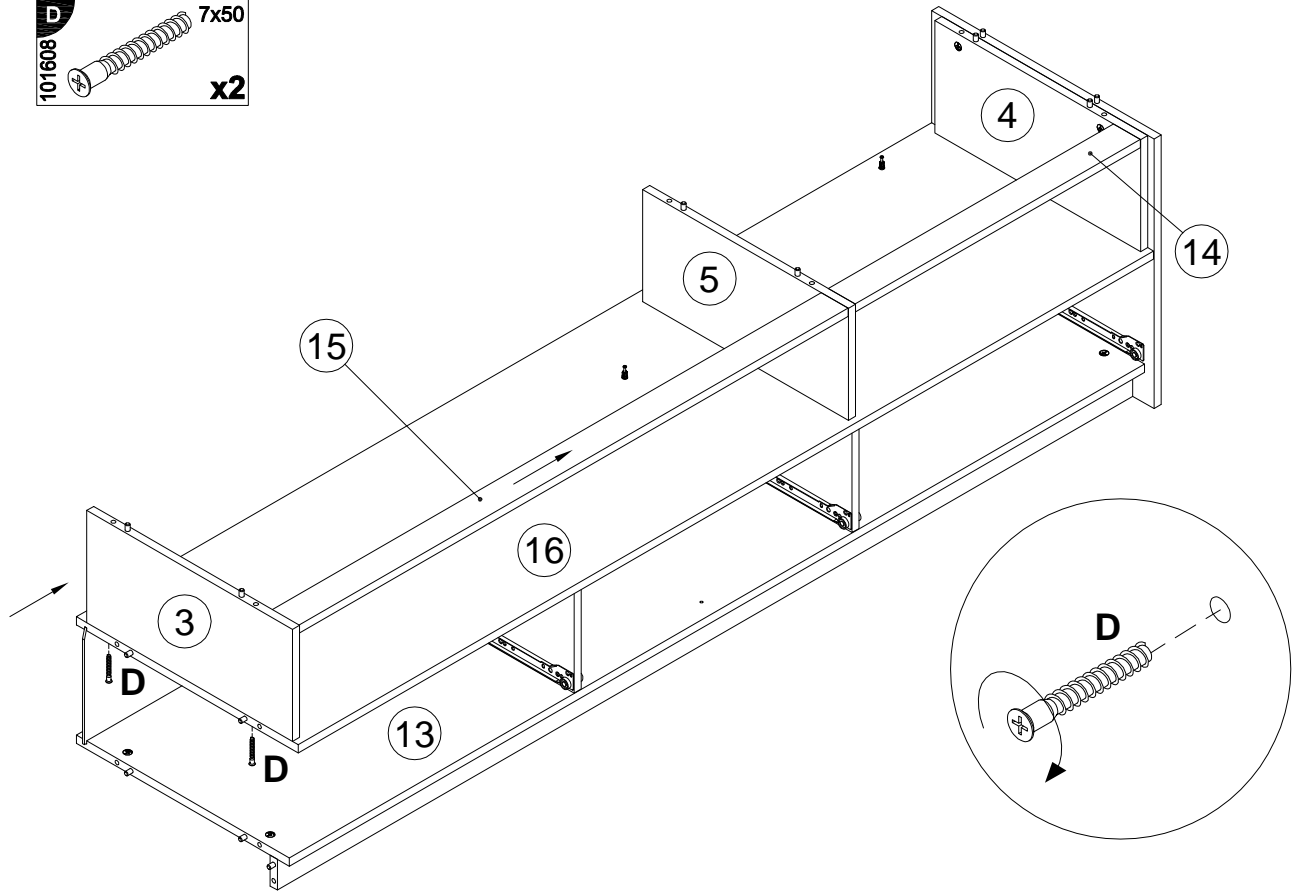
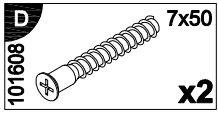


18

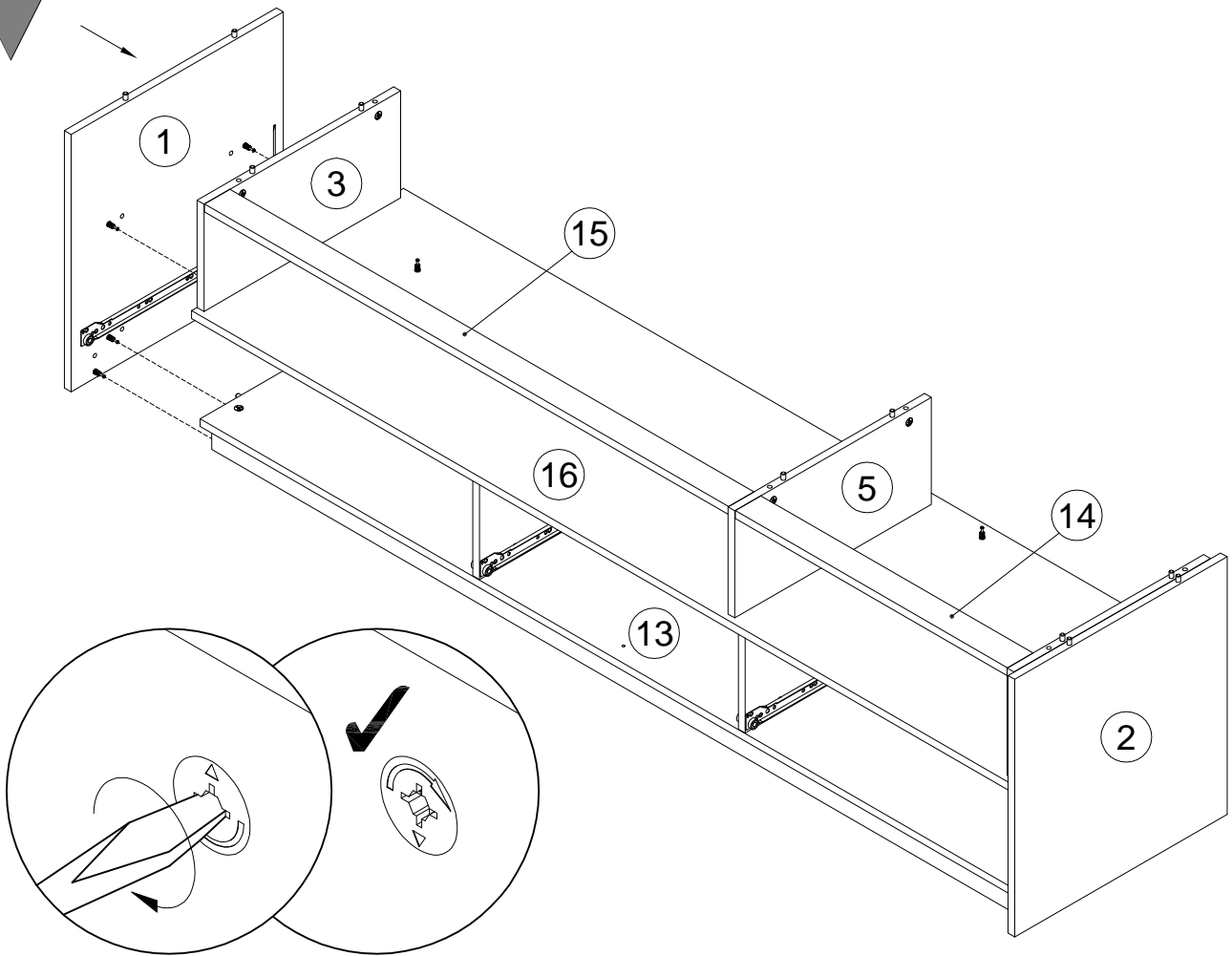


12

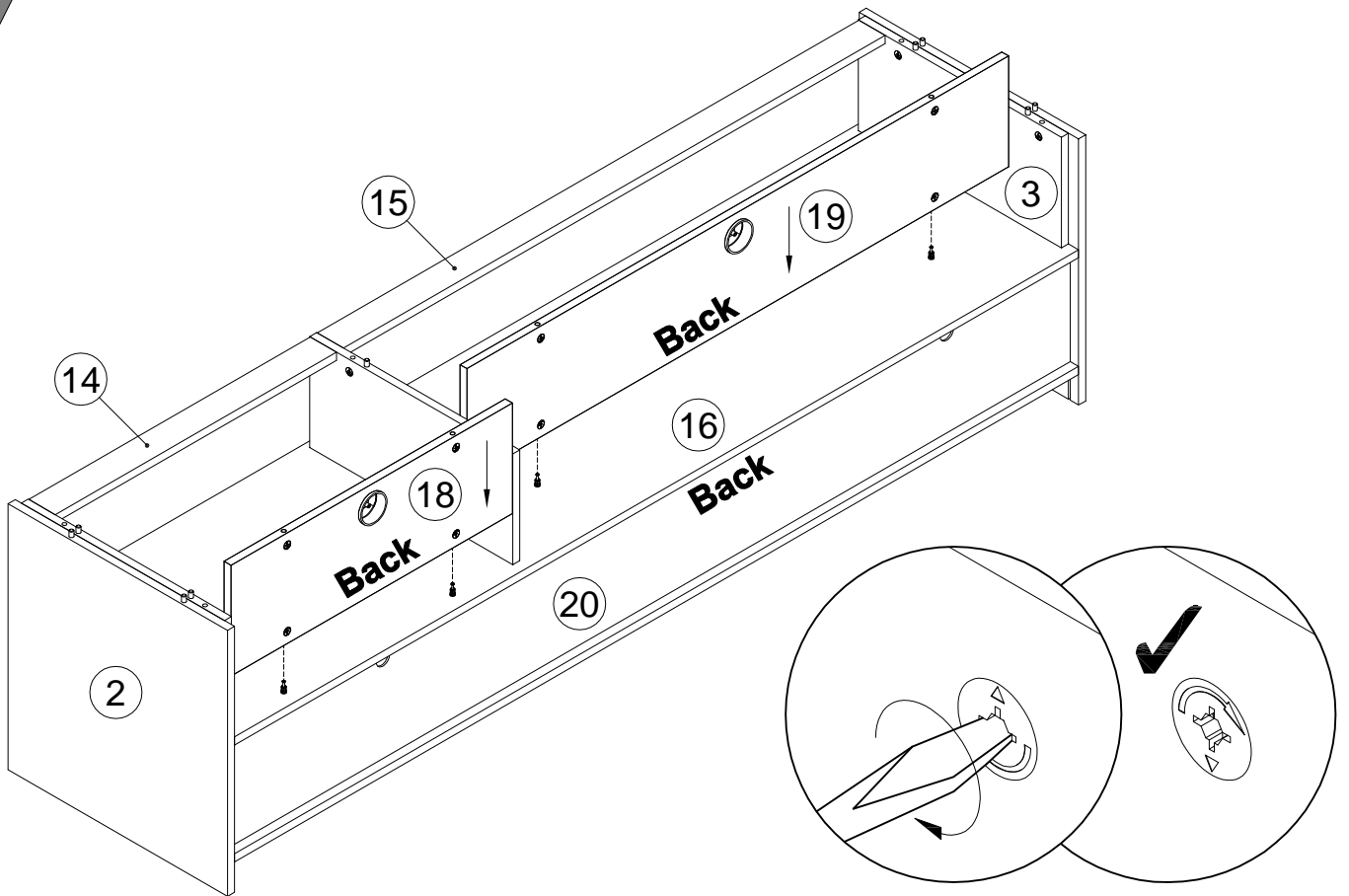
19



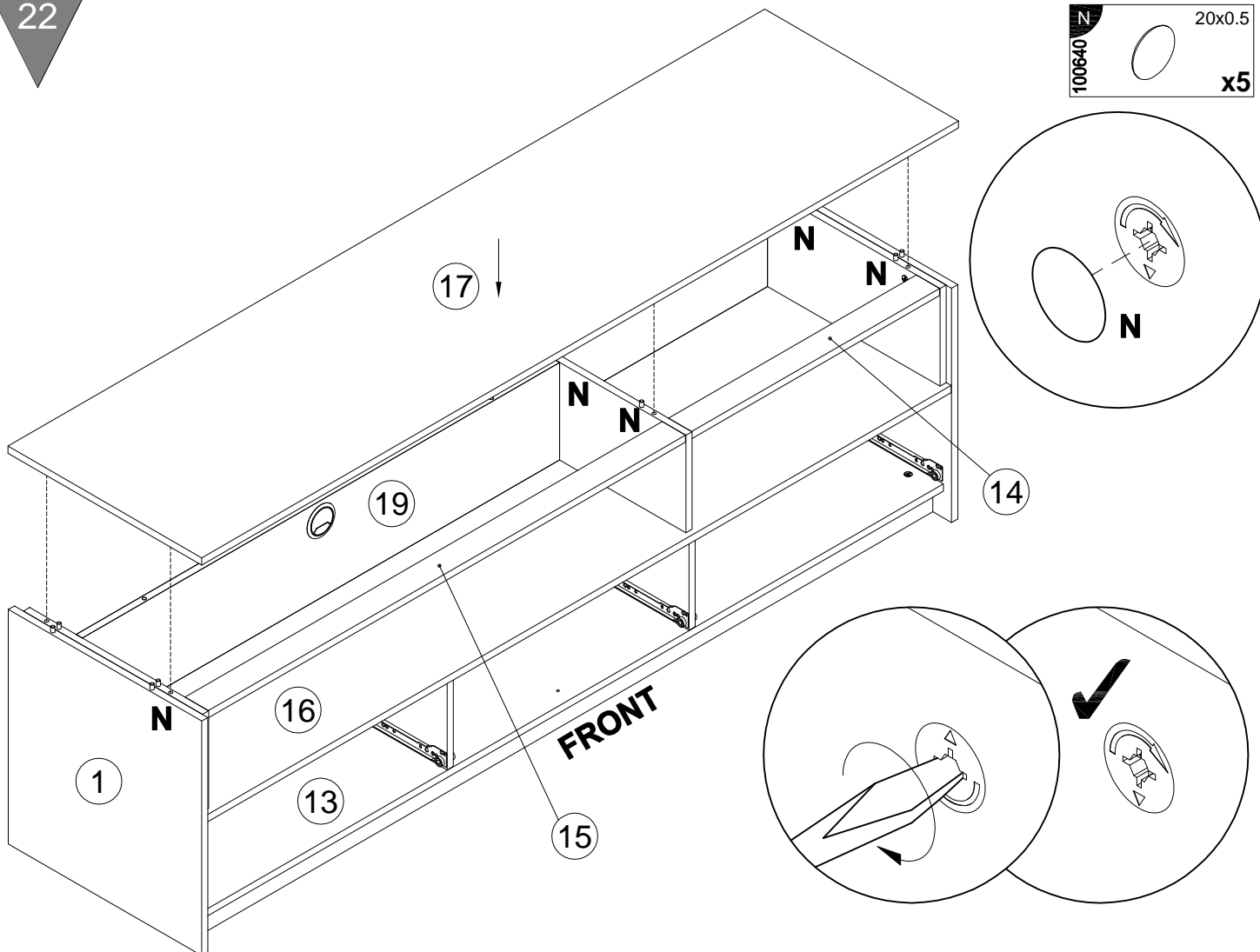
20

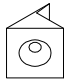
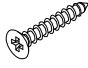
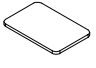


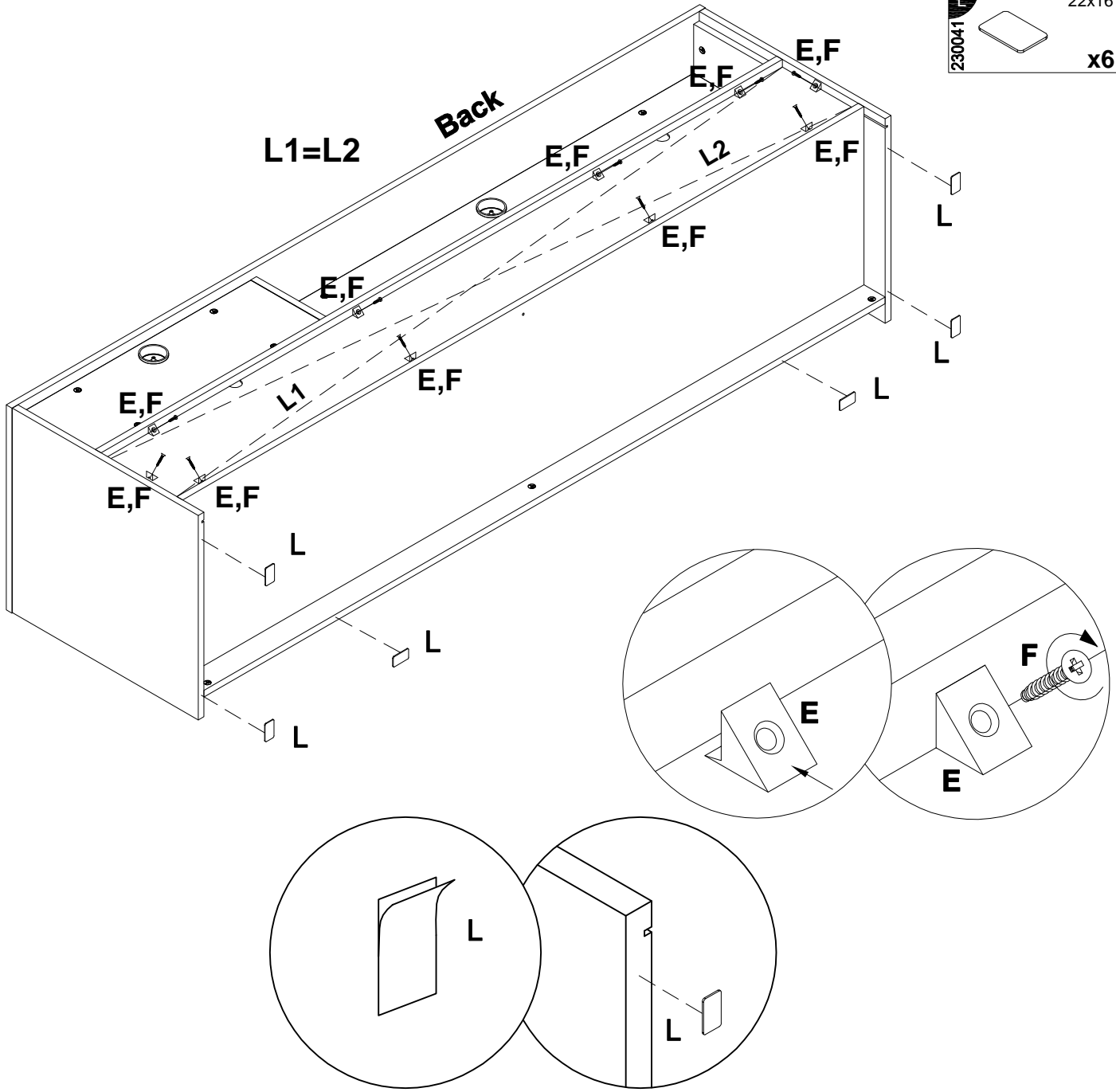
21

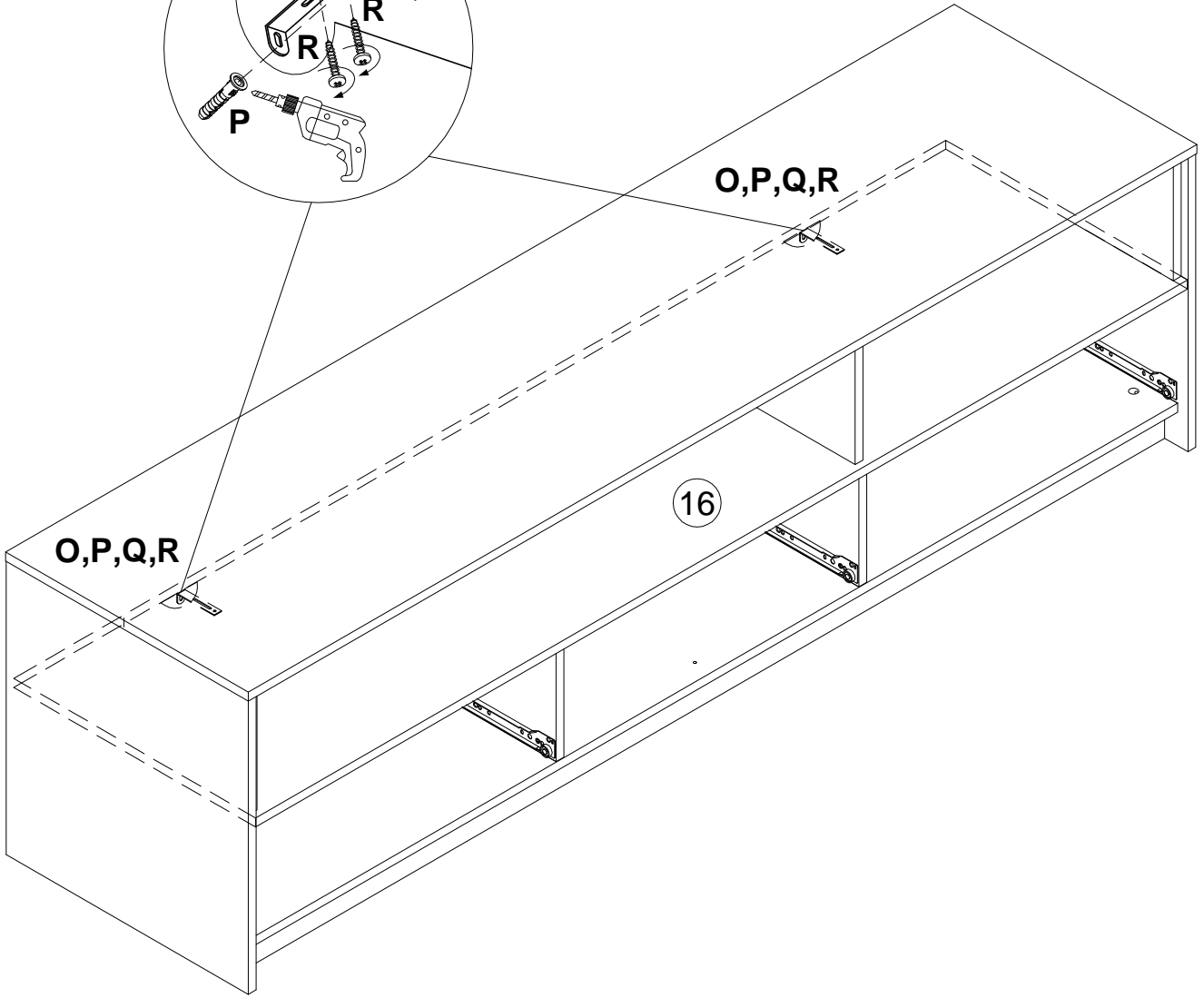
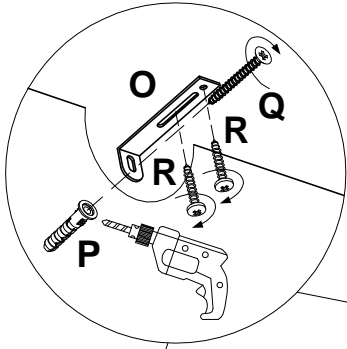
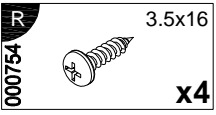
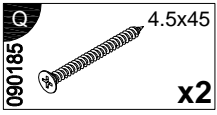
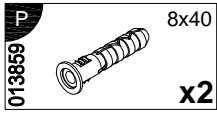
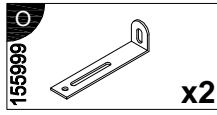


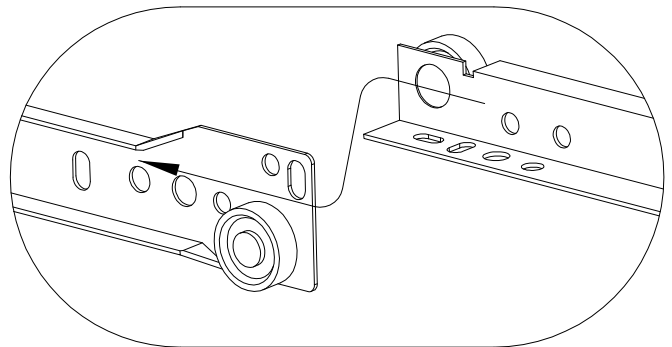
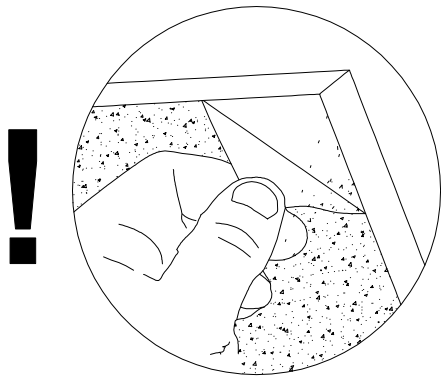
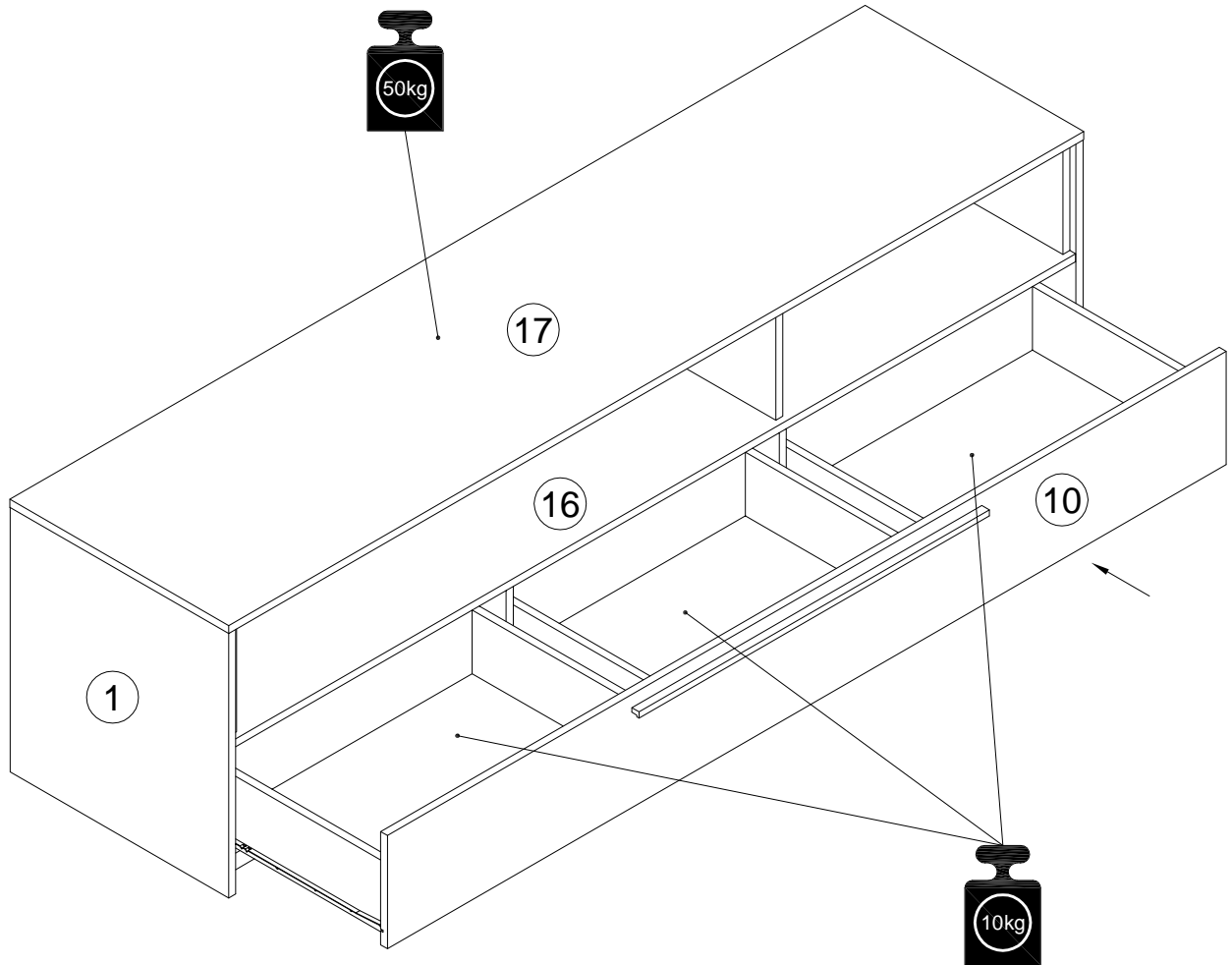
22

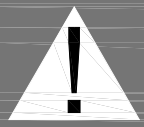


| | | |
|--------|---|-------------|
| 135021 |  | x10 |
| 000759 |  | 3x20 x10 |
| 230041 |  | 22x16 x6 |

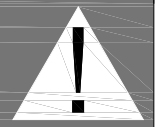








Achtung • Attention • Attenzione
Opgelet • Uwaga • Pozor • Figyelem
Atenție • Dikkat • Внимание



| | |
|-------------|---|
| (D) | Wandbefestigung dient als Kippschutz – unbedingt anbringen! Bei einigen Wandtypen kann ein Spezialdübel erforderlich sein! |
| (GB) | The wall fastening serves to prevent tipping – be absolutely sure to mount it! For certain wall types, a special wall plug may be necessary! |
| (FR) | La fixation murale sert de protection contre le basculement – à installer impérativement ! Pour certains types de murs il faut des chevilles specials ! |
| (IT) | Il fissaggio alla parete serve da protezione anti-ribaltamento – attaccarla assolutamente ! Per alcune strutture di parete può essere necessario un tassello speciale ! |
| (NL) | Bevestiging aan de muur dient als kantelbescherming – zeker en vast bevestigen ! Bij enkele muurtypes is een speciale plug misschien vereist ! |
| (PL) | Mocowanie do ściany jest jednocześnie zabezpieczeniem przed przewróceniem – koniecznie zamontować! Do niektórych rodzajów ścian koniecznie zastosować specjalne kołki mocujące. |
| (CZ) | Montáž na stěnu slouží jako ochrana proti převrnutí – bezpodmienečně umístěte! Uněkterých typů stěn může být zapotřebi speciální hmoždinka ! |
| (SK) | Upevnenie na stenu slúži ako ochrana proti prevráteniu – bezpodmienečne použite! Pre niektoré druhy stien môže byť potrebná špeciálna hmoždenka ! |
| (HU) | A terméket a falhoz kel rögzíteni, különben az felborulhat! Egyes faltípusoknál speciális tiplit kell használni ! |
| (RO) | Sistemul de fixare la perete servește ca protecție la răsturnare – de montat obligatoriu! Pentru unele tipuri de pereți este posibil să fie necesar un diblu special ! |
| (TR) | Duvardaki sabitleme, devrilmeye karşı bir emniyet tedbiridir ve mutlaka monte edilmelidir! Bazı duvar tiplerinde bunun için özel bir düble gerekli olabilir ! |
| (RU) | Обязательно установите крепление на стене во избежание опрокидывания ! Для некоторых типов стен может потребоваться специальный дюбель ! |