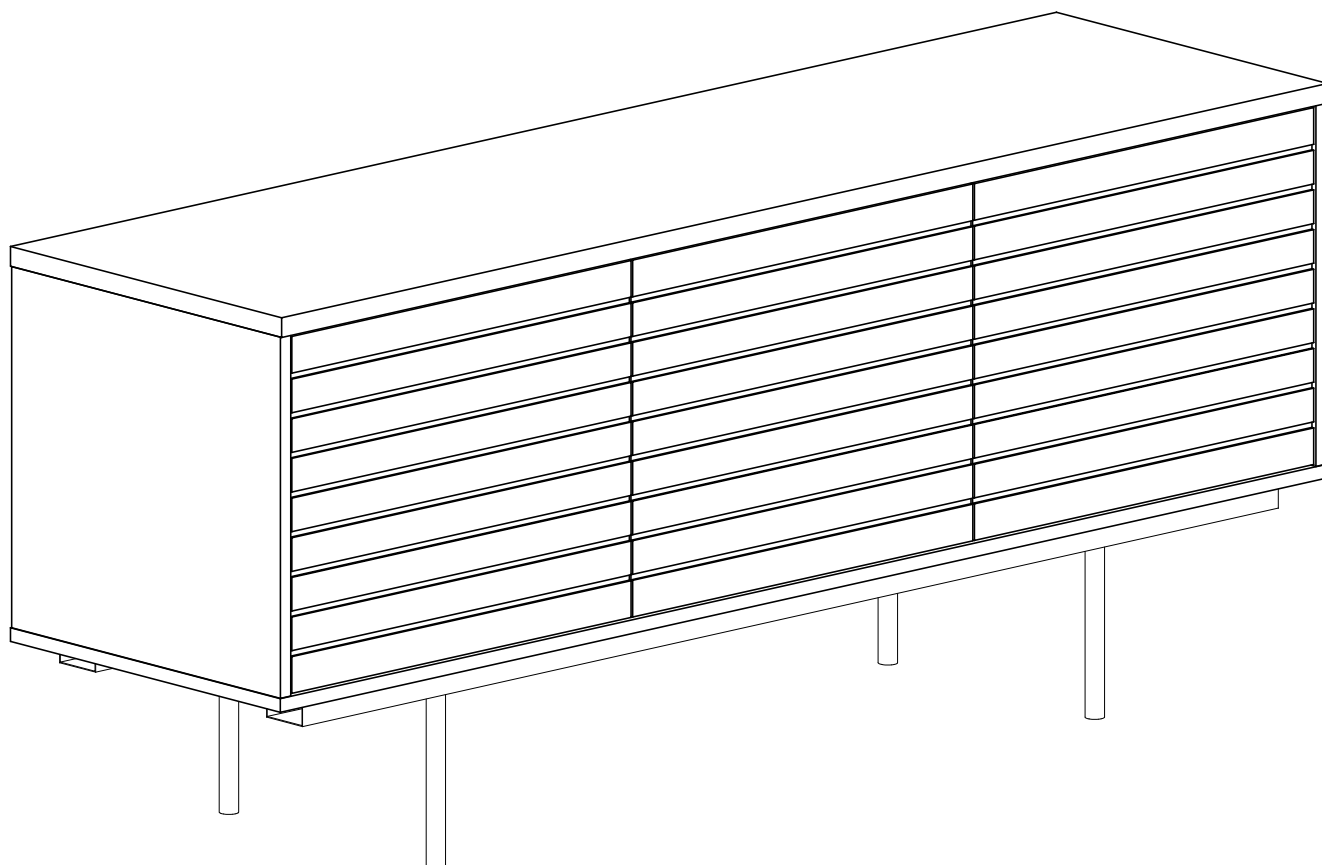


Assembly Instruction



1610x450x700



Reference no/Batch code :



Woodman OÜ

Made in Estonia
Mäo, Järvamaa
www.woodman.ee
support@woodman.ee

Dear Customer

Congratulations on your new purchase. Follow this advice and get the best result when assembling the product.

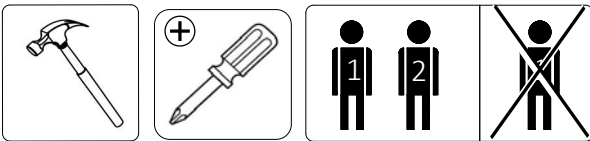
Read the instruction carefully before you start
Get help, If two persons are required for assembly
Make sure, you have all parts on the total material list
Work on a soft, flat surface to avoid any damage to the finish

Follow the assembly instruction
Tighten the furniture joints after a month
Keep the assembly instruction

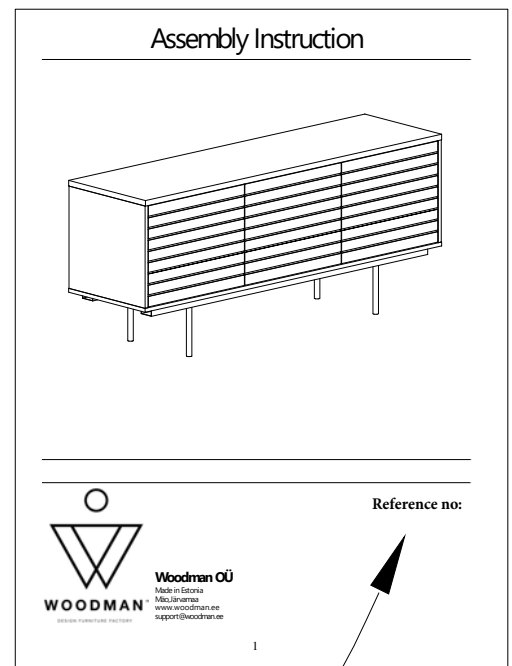
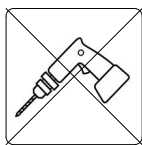
Allocate time

Some furniture can be assembled in minutes. Others - e.g. products in several parts - can take more than an hour to finish. Make sure to allocate good time or divide up the work.

Tools needed



Don't use!!!



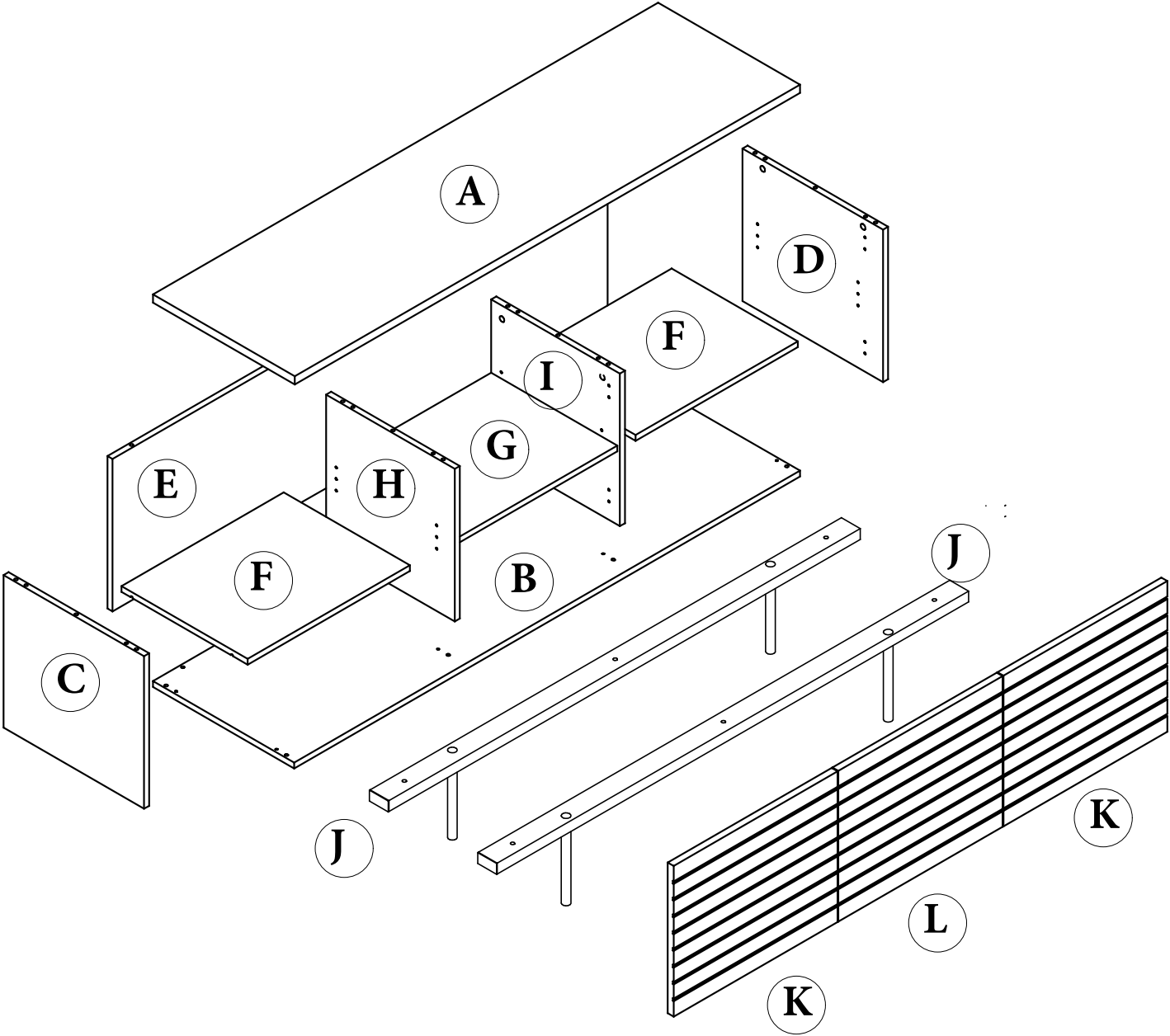
ENG - In case of any quality issues, contact your local dealer and always mention item reference No.
FR - En cas de problèmes de qualité, contactez votre revendeur local et mentionnez toujours la référence de l'article.

IT - In caso di eventuali problemi di qualità, contattare il rivenditore locale e citare sempre punto di riferimento No.

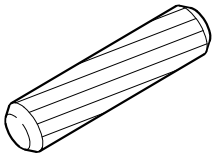
ES - En caso de problemas de calidad, póngase en contacto con su distribuidor local y mencione siempre la referencia del artículo.

DE - Wenn Sie Qualitätsprobleme haben wenden Sie sich bitte an ihren örtlichen Händler und erwähnen Sie immer die Artikelnummer.

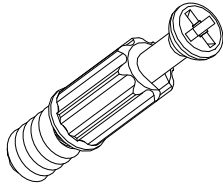
Total material list, hardware



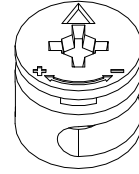
Total material list, furniture parts



A1 x28



A2 x8



A3 x8



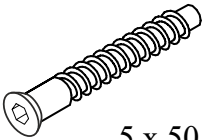
A4

OAK x4



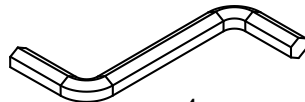
A5

BLACK x4



5 x 50 mm

A6 x8



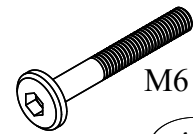
4 mm

A7 x8



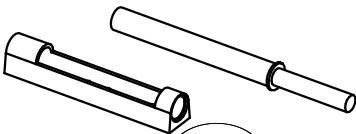
3 mm

A8 x8

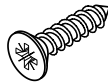


M6 x 40 mm

A9 x6

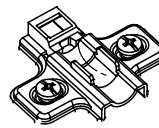


A10 x3

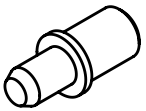
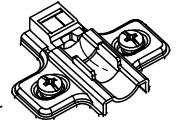


A11 x18

A12 x4



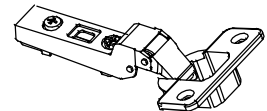
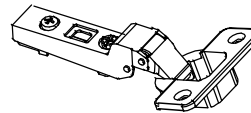
A13 x2



A14 x12



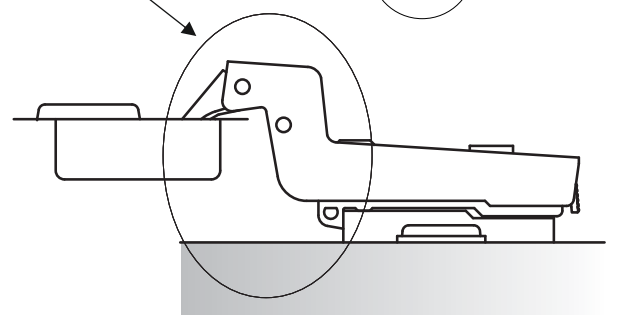
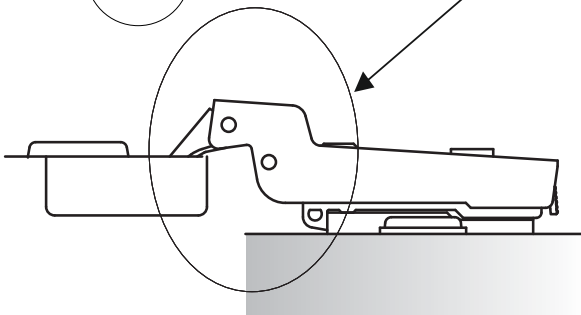
A15 x4



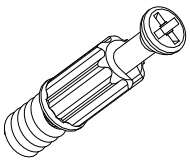
x2 **A13**

NB !!!

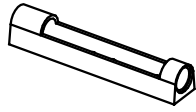
A12 x4



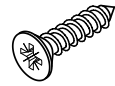
Assembly instructions, 1



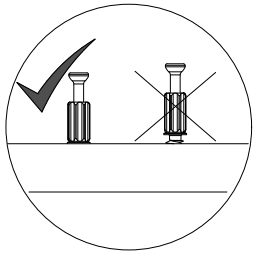
A2 x8



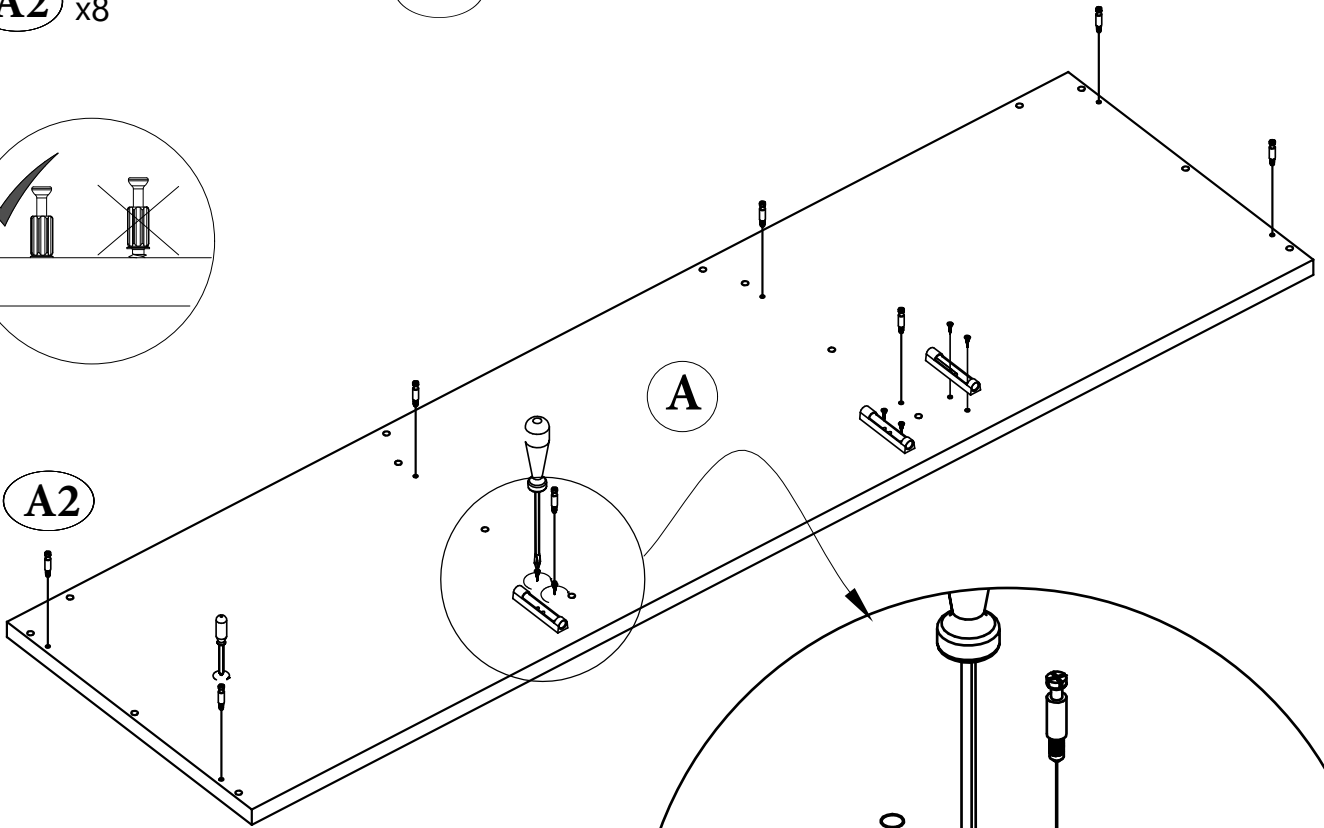
A10 x3



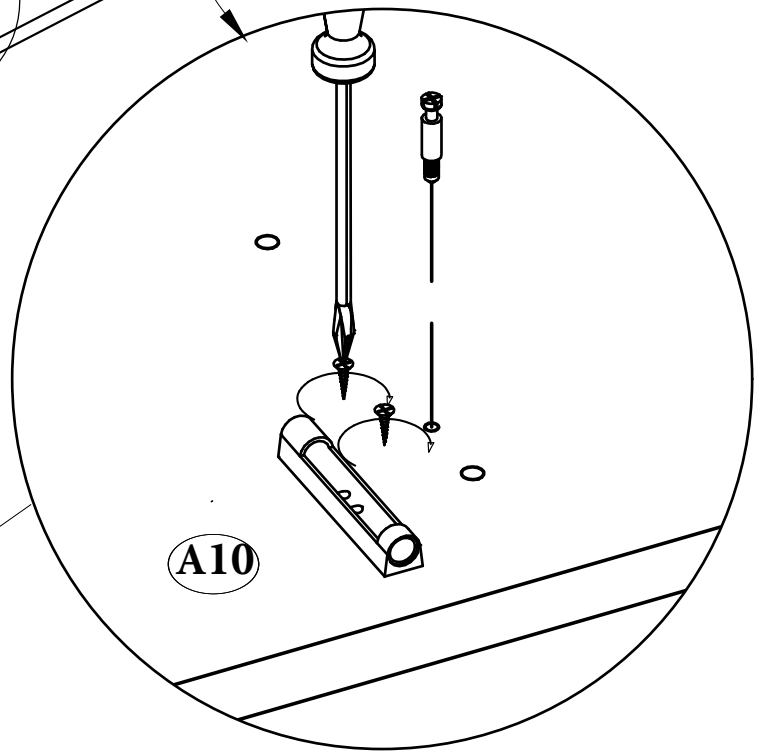
A11 x6



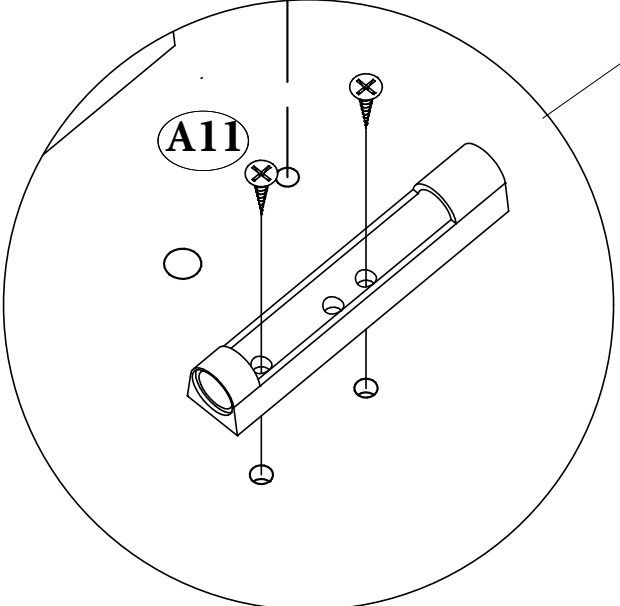
A2



A

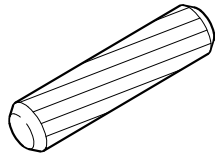
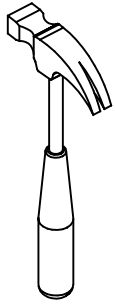


A10

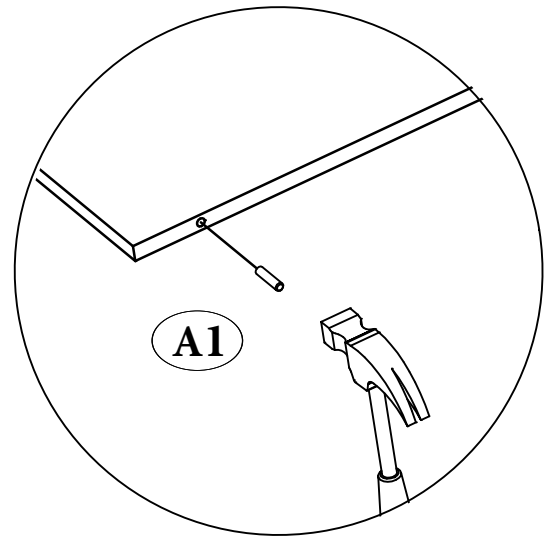
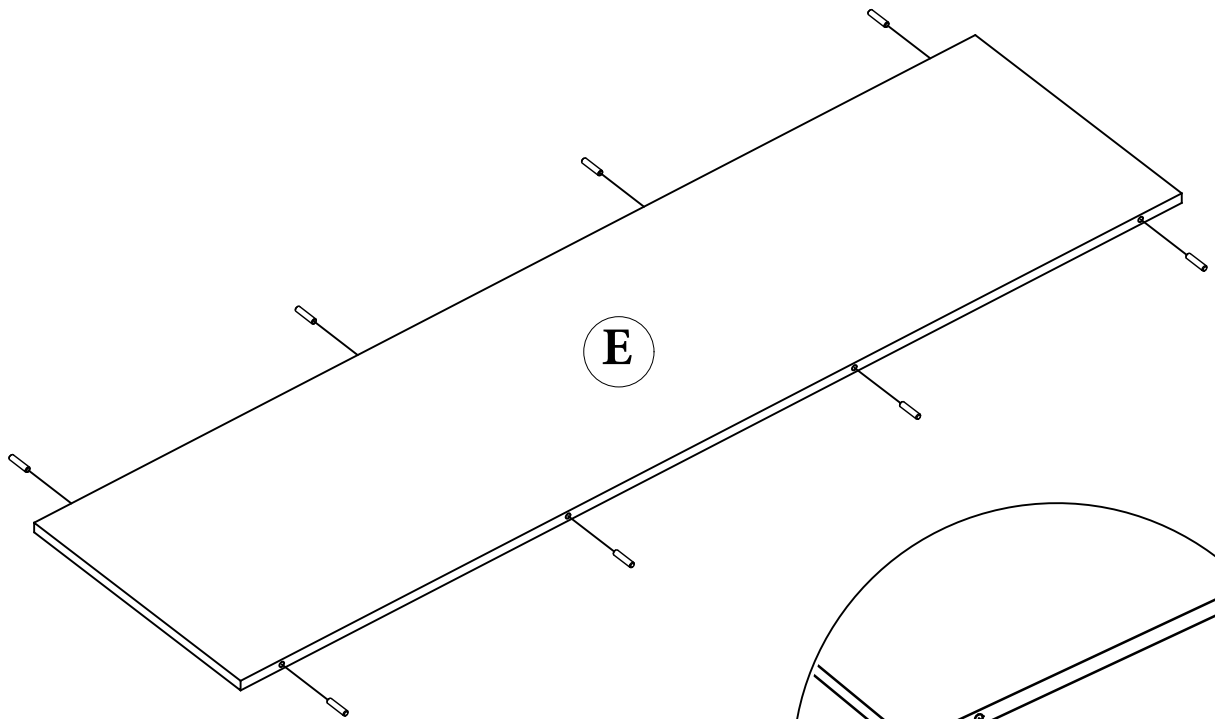


A11

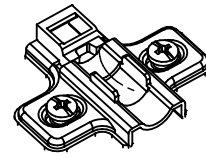
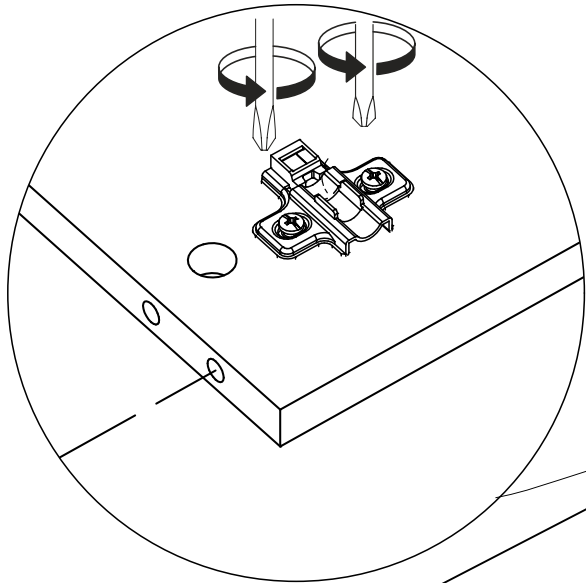
Assembly instructions, 2



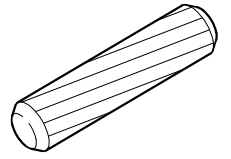
A1 x8



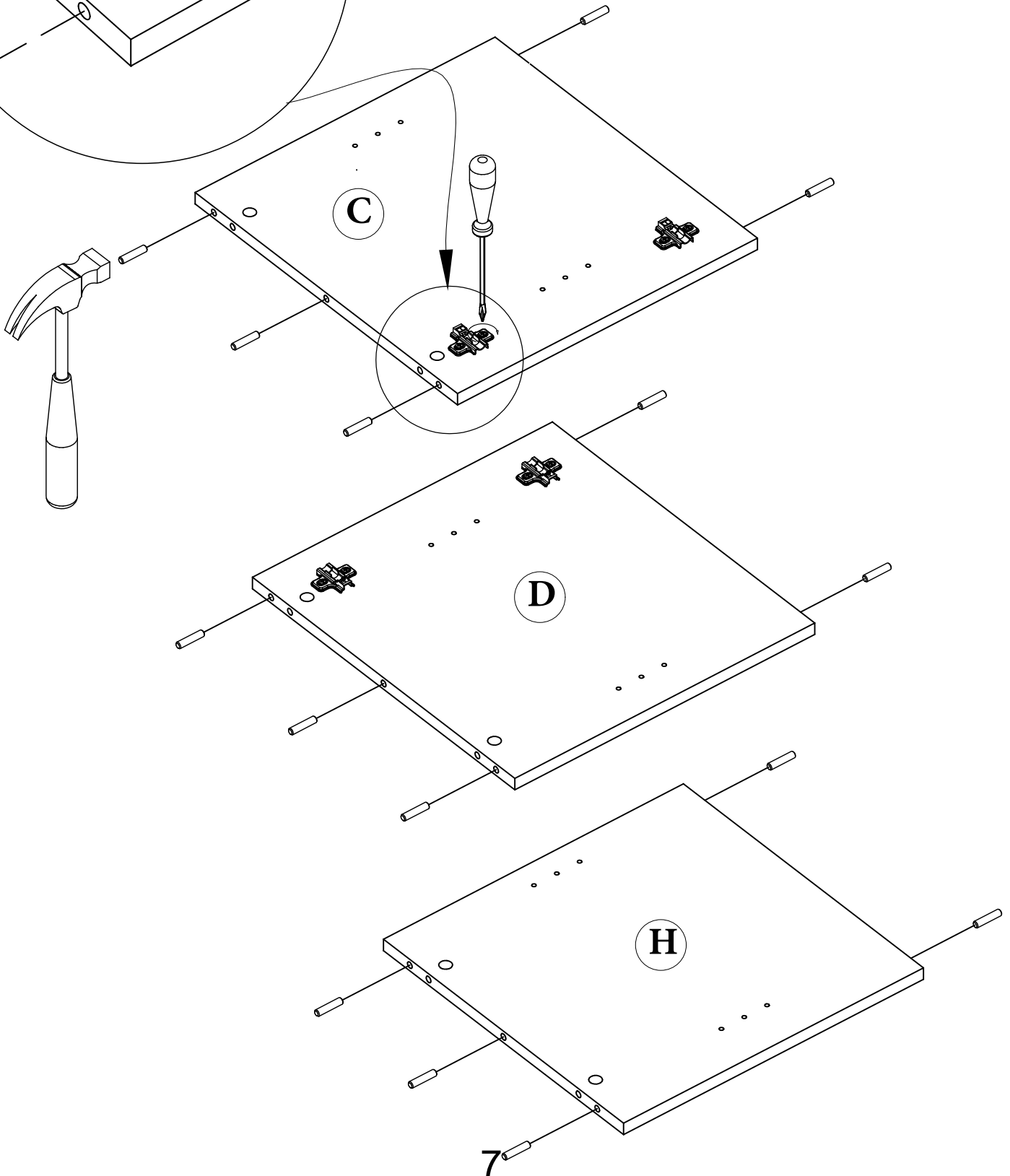
Assembly instructions, 3



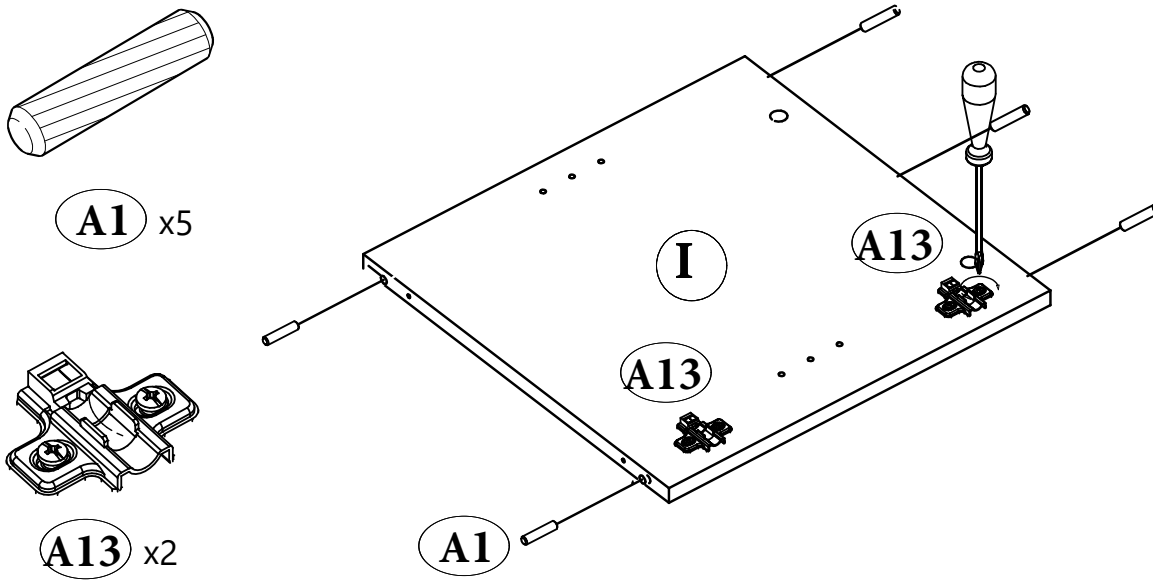
A12 x4



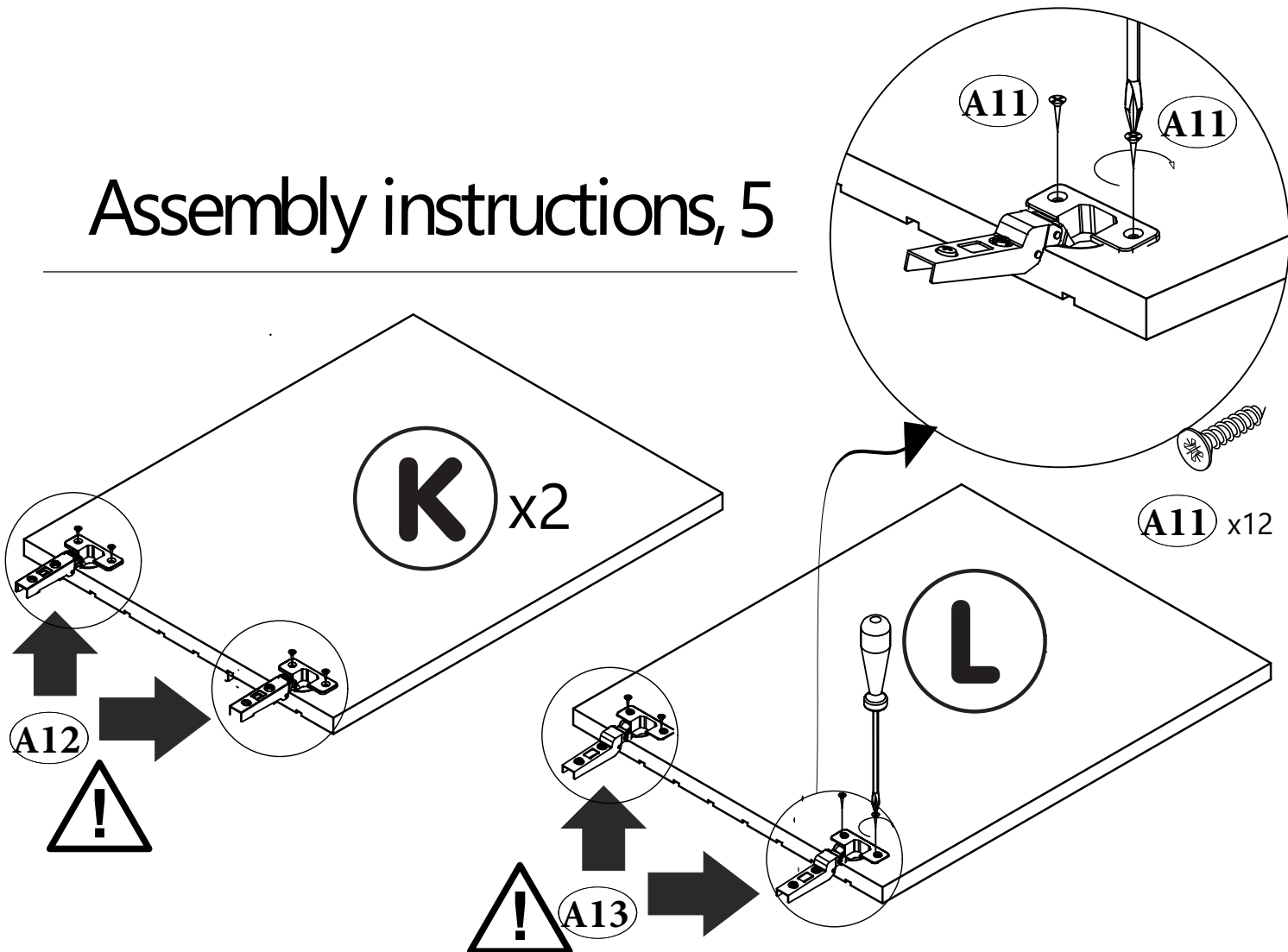
A1 x15



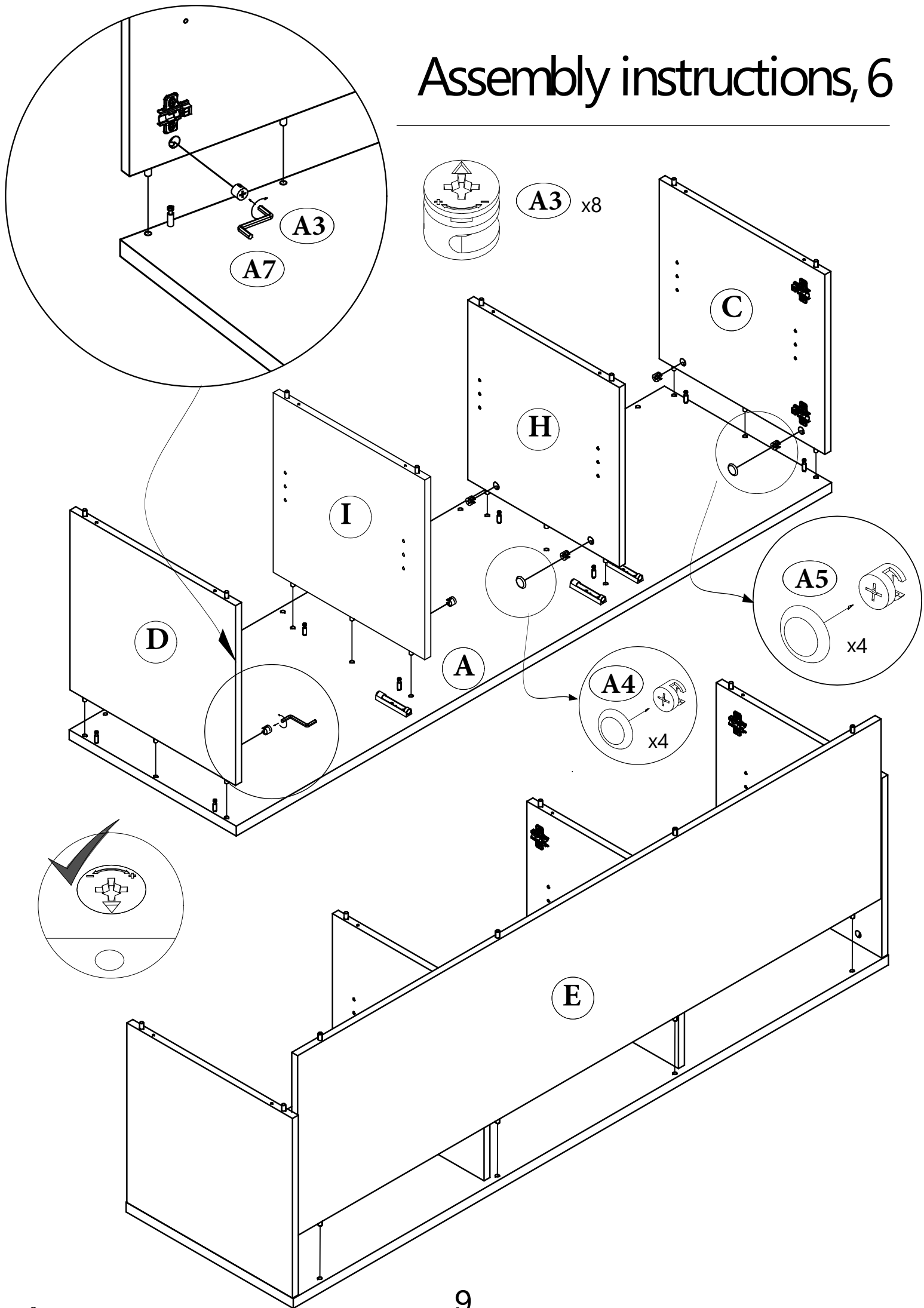
Assembly instructions, 4



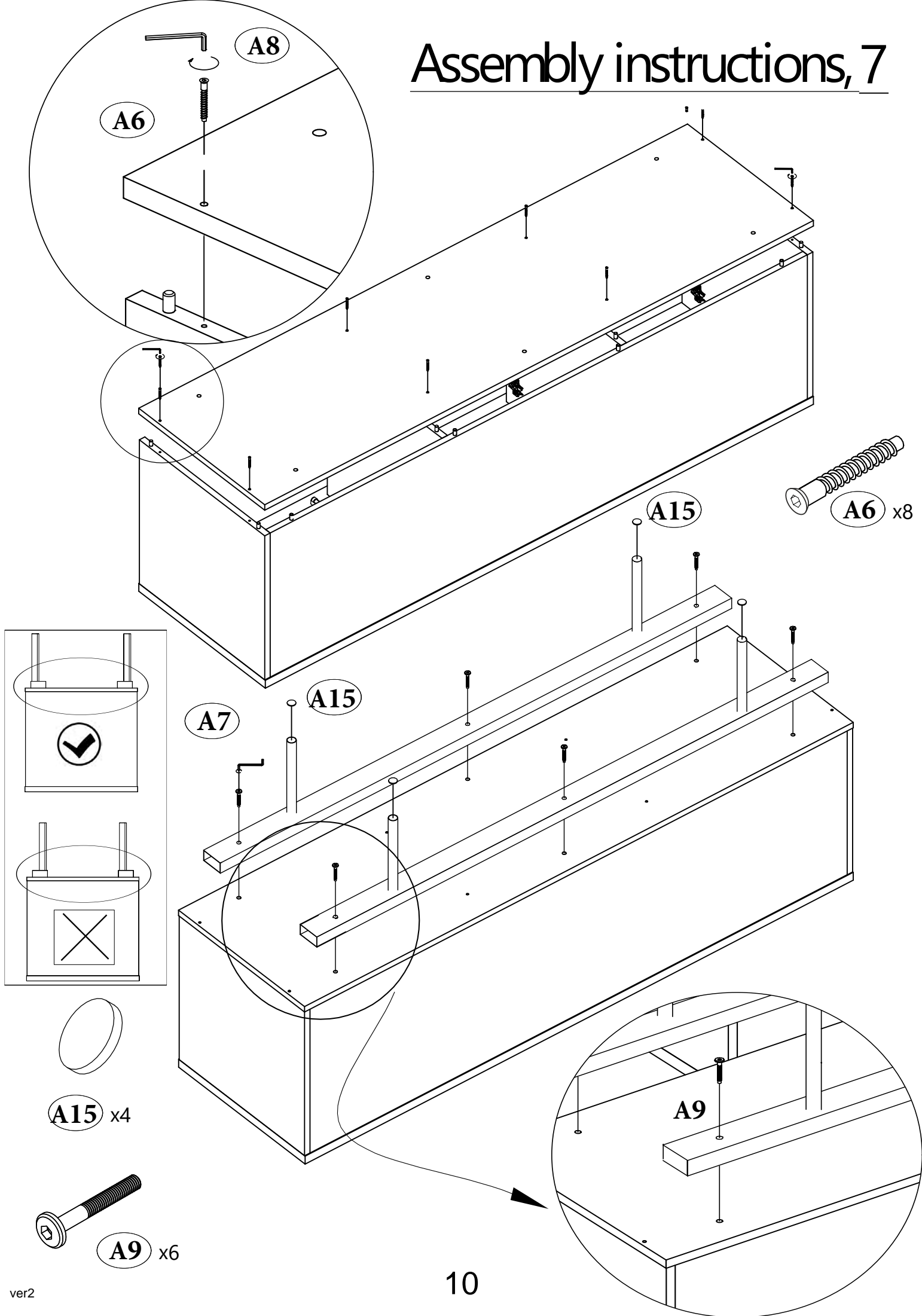
Assembly instructions, 5



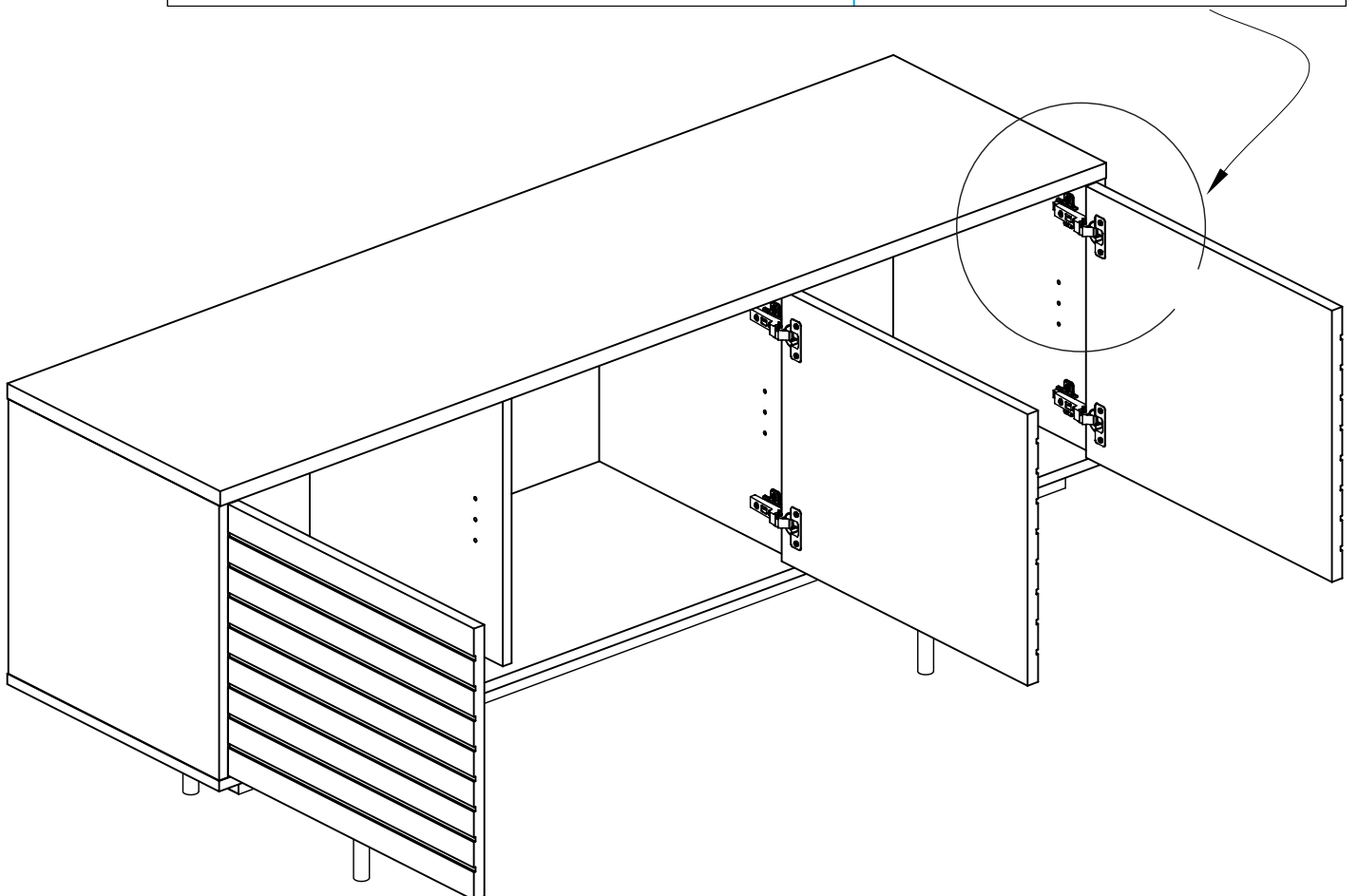
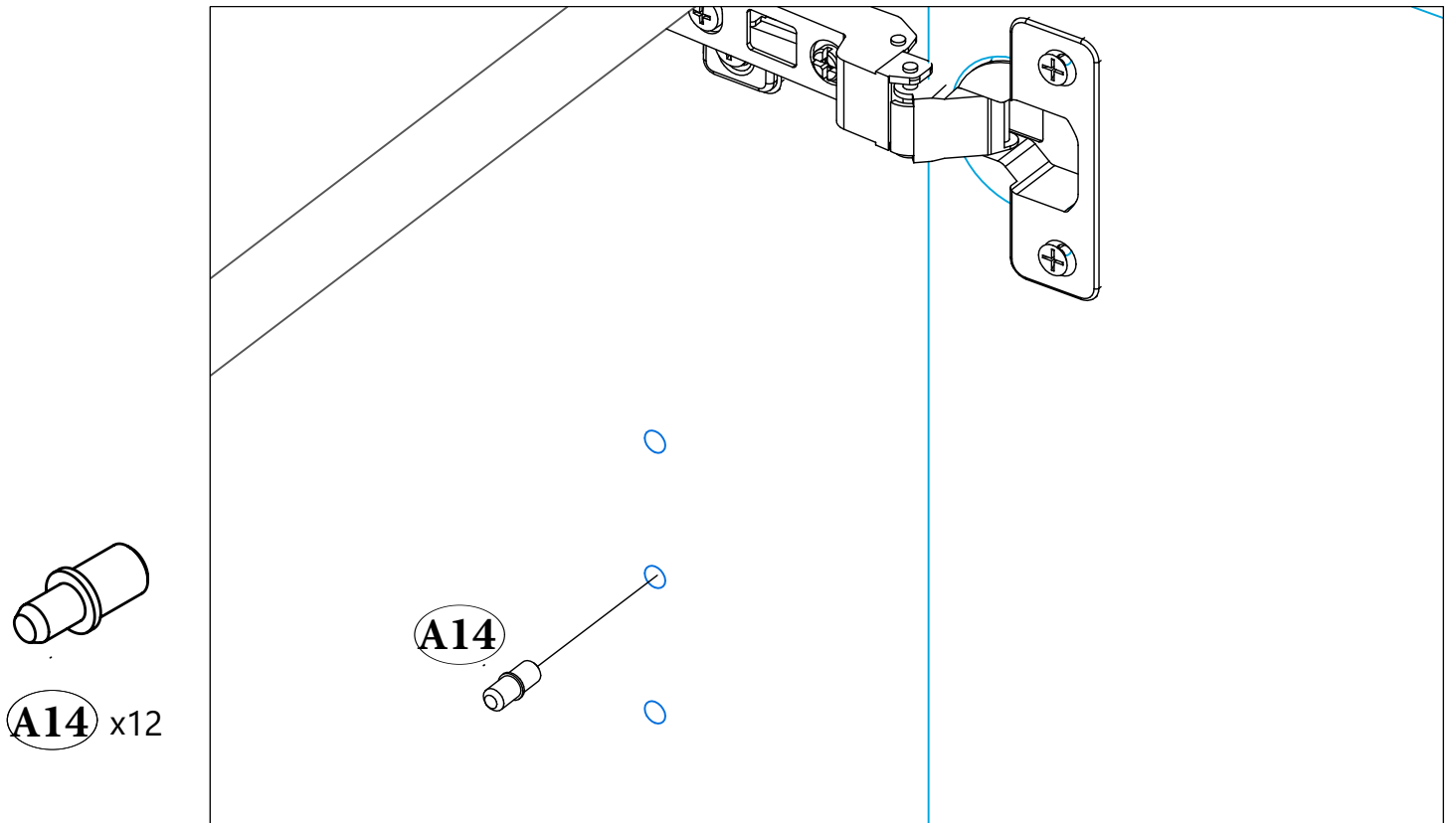
Assembly instructions, 6



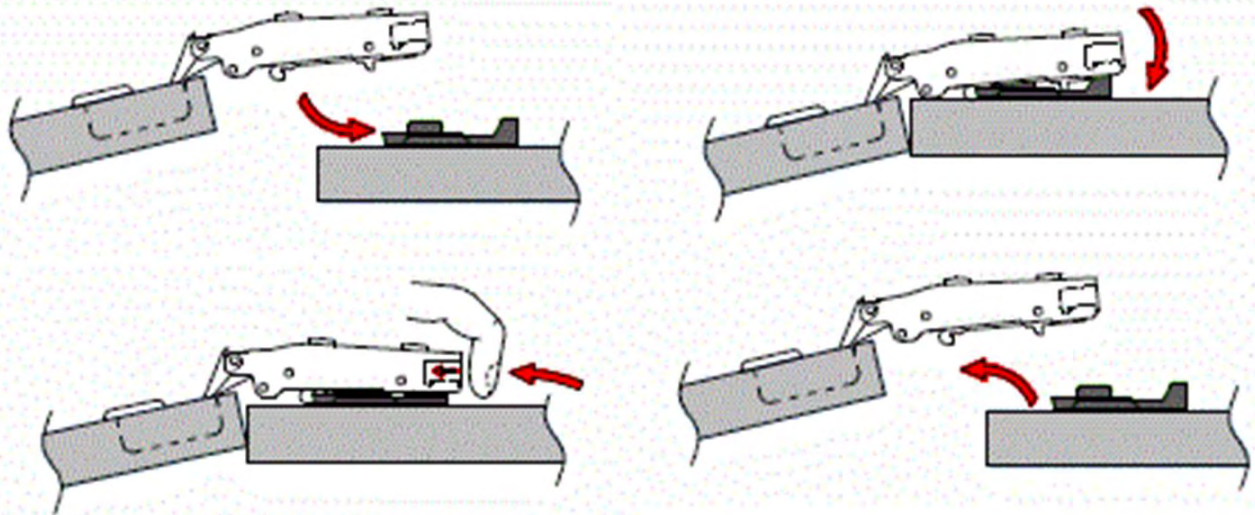
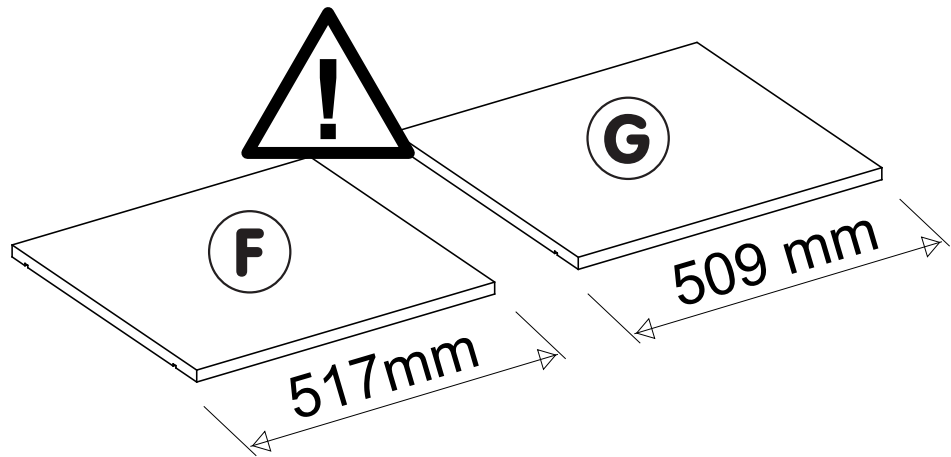
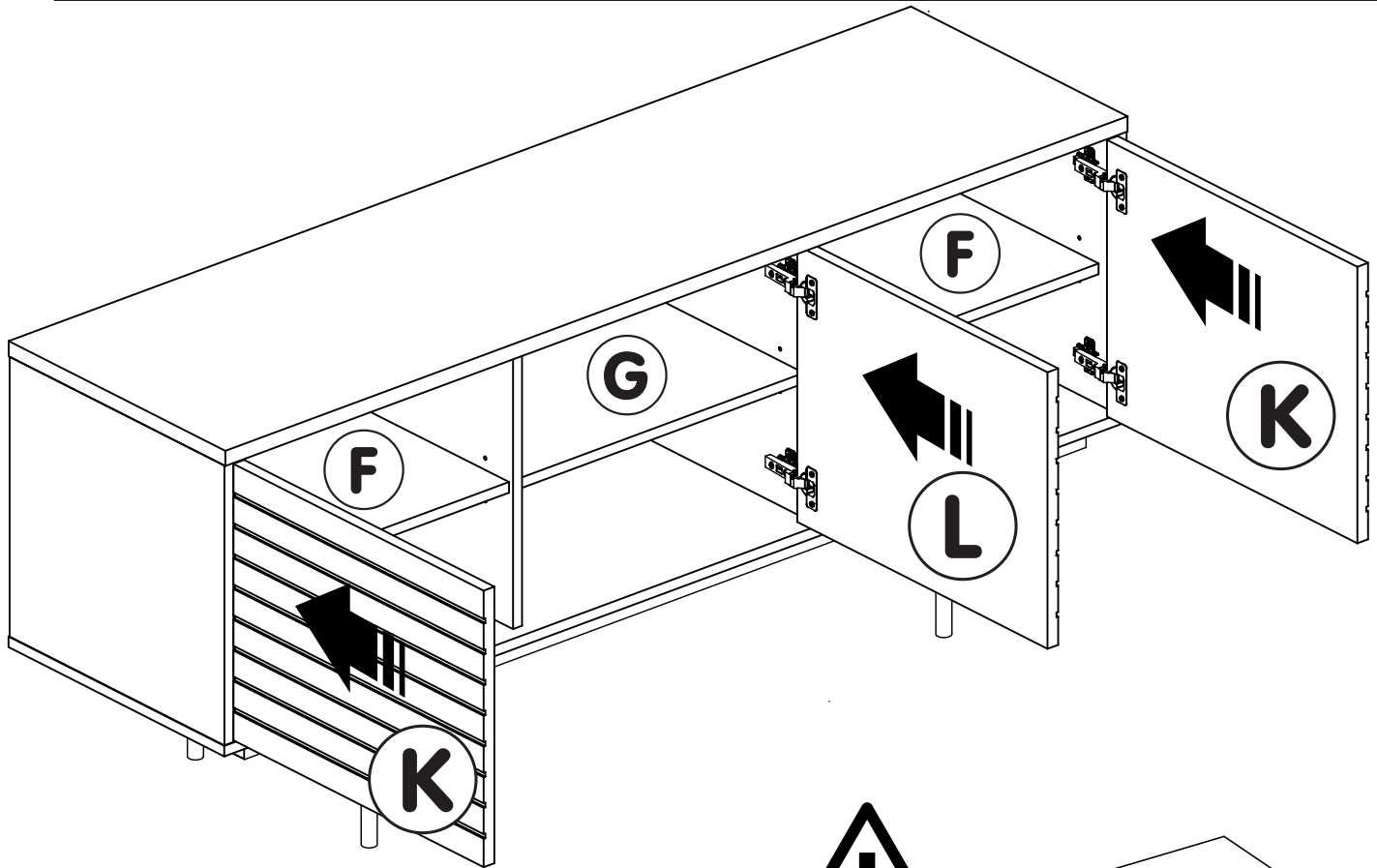
Assembly instructions, 7



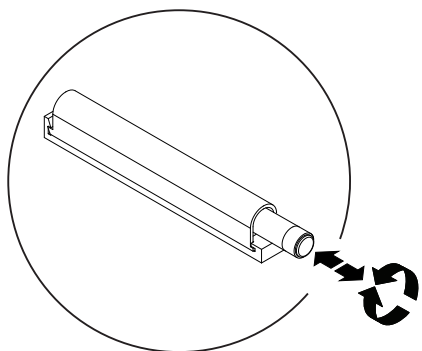
Assembly instructions, 8



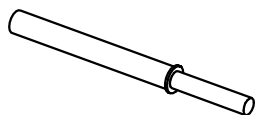
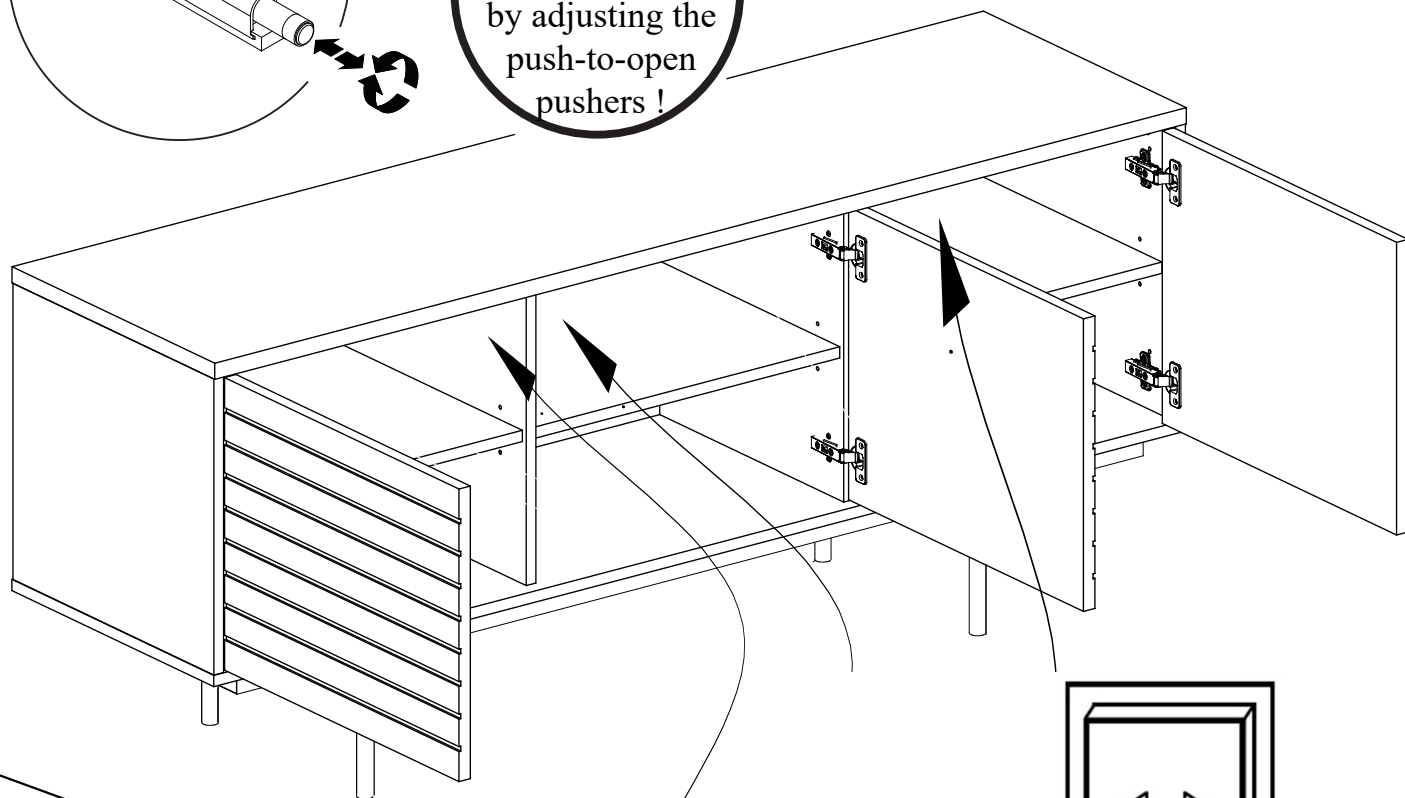
Assembly instructions, 9



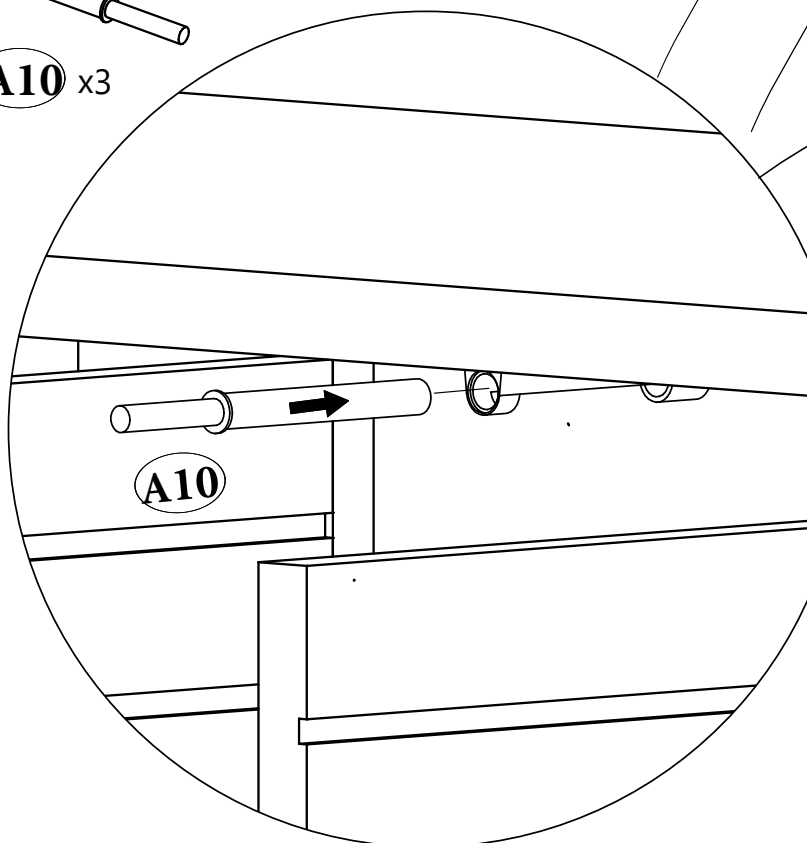
Assembly instructions, 10



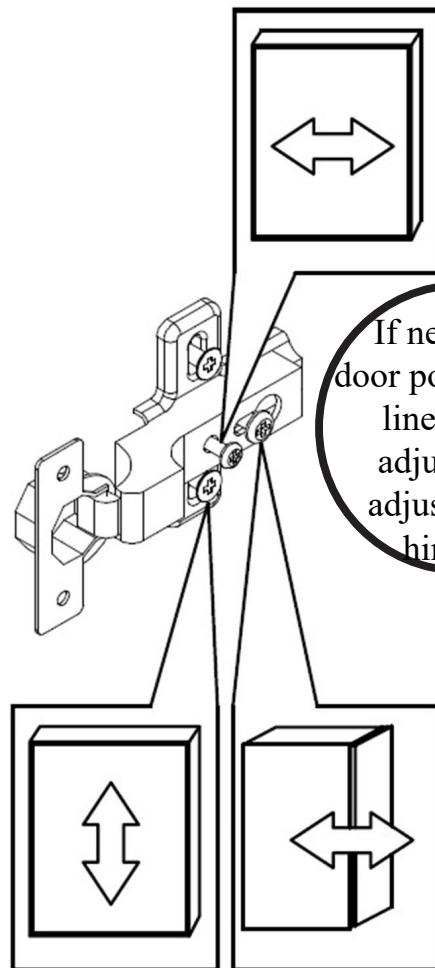
If necessary door closing can be adjusted by adjusting the push-to-open pushers !



A10 x3



A10



If necessary door position and line can be adjusted by adjusting the hinges !

Safety and Care Advice

General care and maintenance

Only clean using a damp cloth and mild detergent, do not use bleach or abrasive cleaners.

From time to time check that there are no loose screws on this unit.

This product should not be discarded with household waste. Take to your local authority waste disposal centre.

Cleaning and care of lacquered surfaces

Regular dusting with a dry cloth will keep your units clean.

Clean marks with a damp cloth.

Do not use abrasive cleaners.

Do not clean with products containing following:

Acetone (e.g nail varnish remover). Ammonia (e.g.bleach) or Sodium hydroxid (e.g. Caustic soda, drain and oven cleaners) .

To remove stubborn stain, wipe over with damp cloth and washing up liquid.

In the event of accidental contact with aggressive cleaners, rinse thoroughly with water. Use place mats to protect the surface from moisture and heat.

Maximum weight limit

Important: Recommended maximum load for each shelf is shown below.

