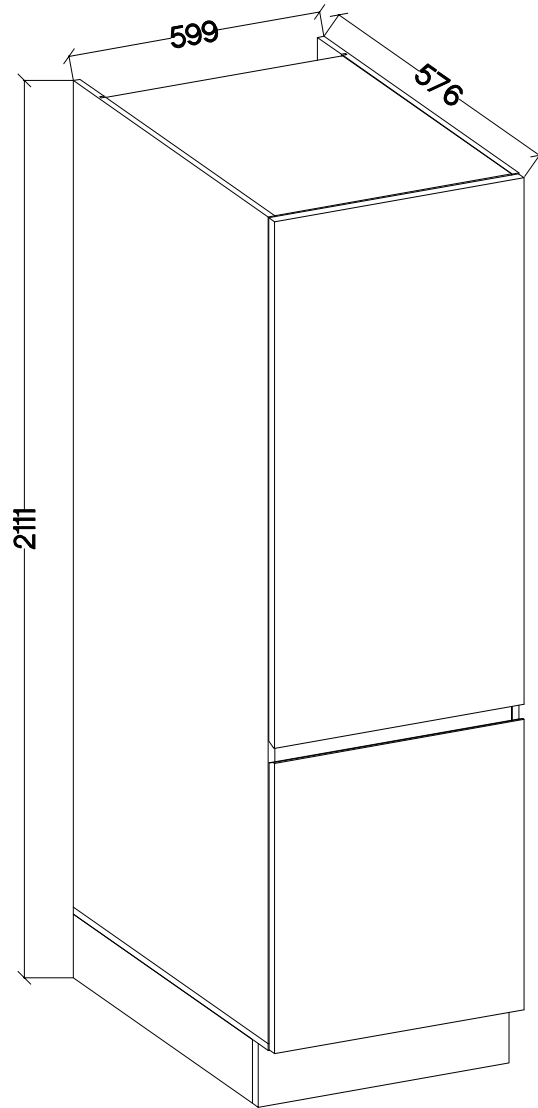
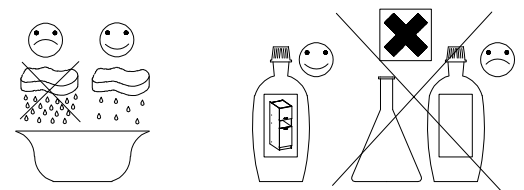
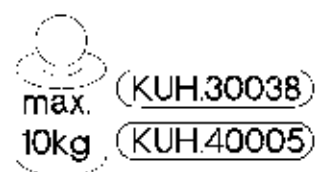
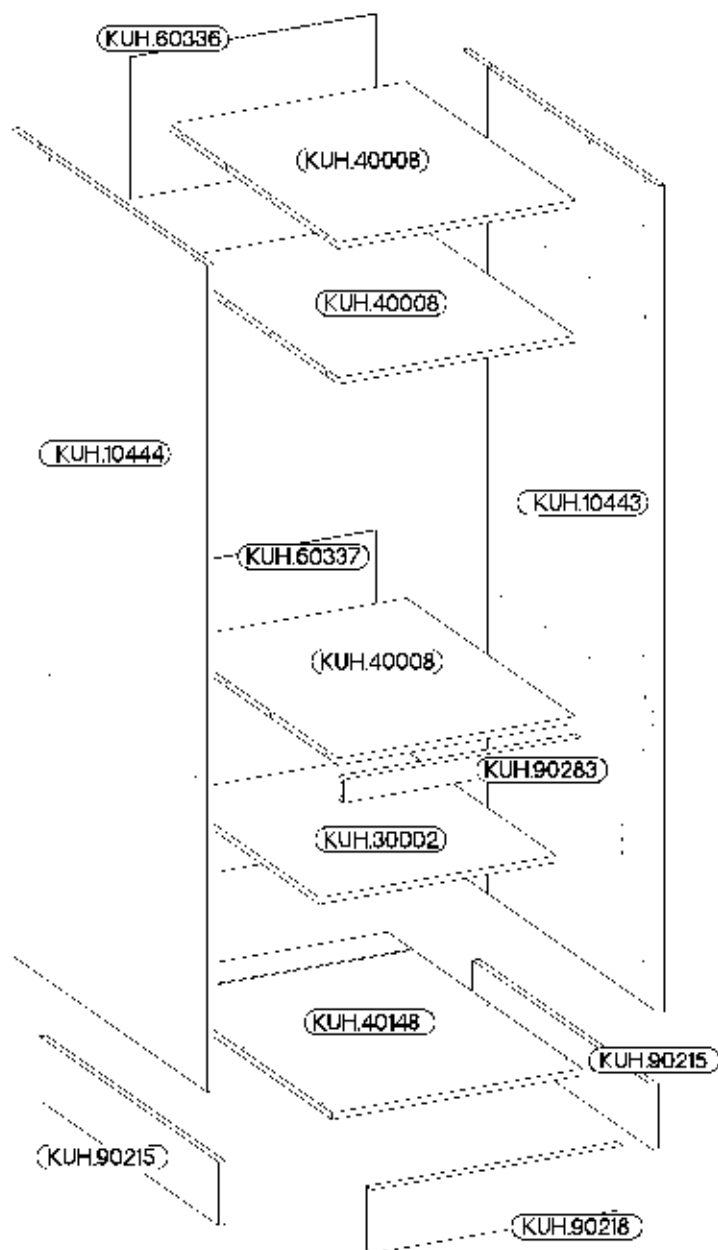


73-200-...
ADANA
KS - Umbau



 A 14	 B 18	 C 2	 D2 2	 E1 18	 E5 5	 F15 4	 F16 6	 HG 5
 J3 4	 L25 1		 O 1	 P5 40	 P7 15-20	 R 4		

ISM-KUH-01728



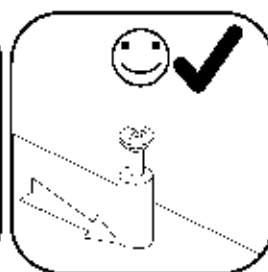
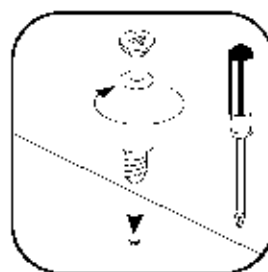
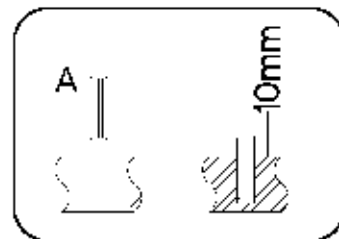
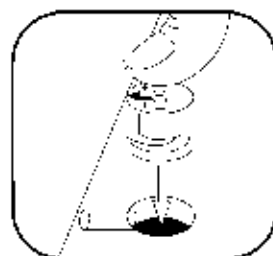
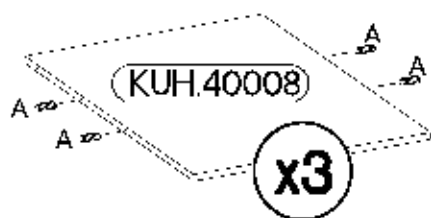
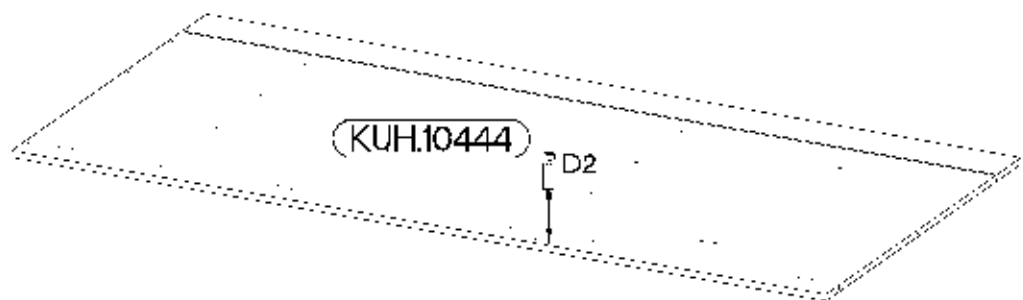
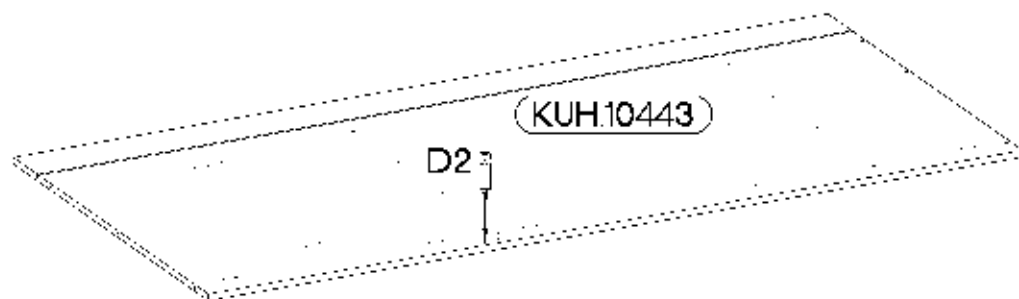
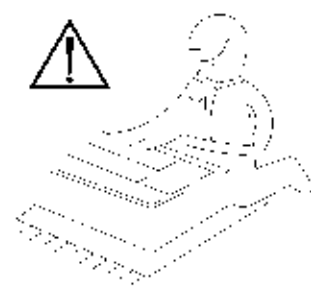
Colli	Spare Part	Dimension
Colli 1/2	KUH.30002	566x430x16
	KUH.40148	599x560x16
	KUH.60336	333x585x2,5
	KUH.60337	738x585x2,5
	KUH.70900	1239x596x16
	KUH.70991	683x596x16
	KUH.90215 x2	515x150x16
	KUH.90218	599x150x16
Colli 2/2	KUH.90283	567x60x16
	KUH.10443	1945x560x16
	KUH.10444	1945x560x16
	KUH.40008 x3	567x485x16

1

+8x30mm +15/12mm L-20mm



A 14 C 2 D2 2

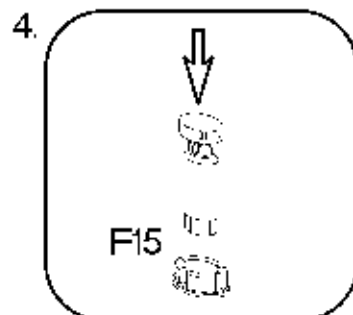
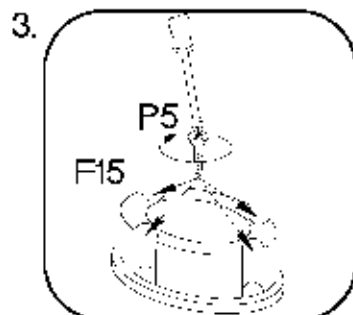
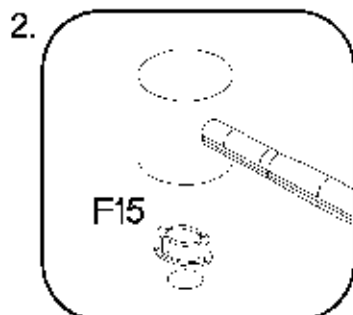
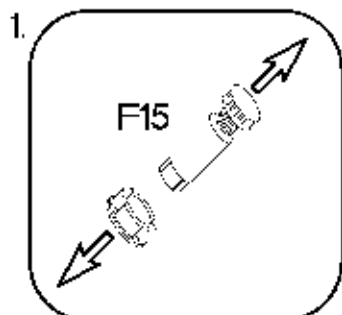
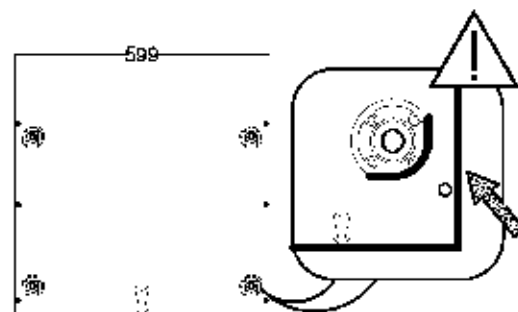
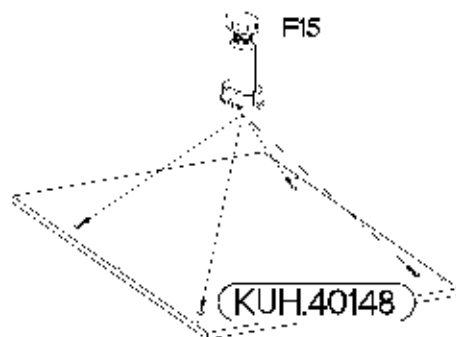


2

+3.5x13mm L-135-170cm

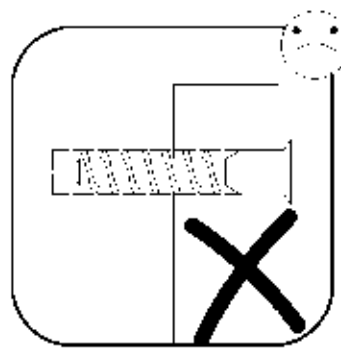
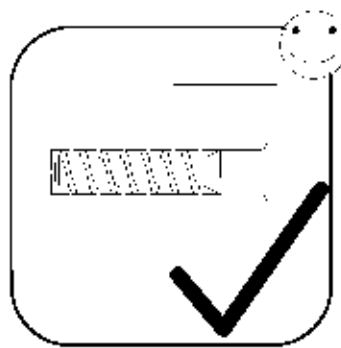
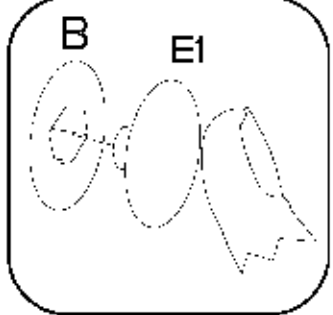
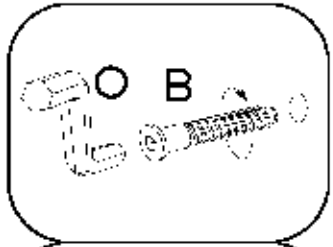
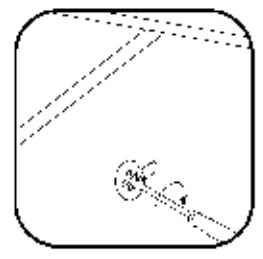
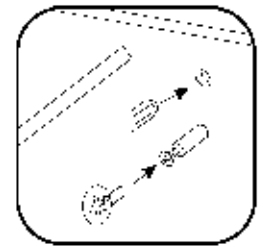
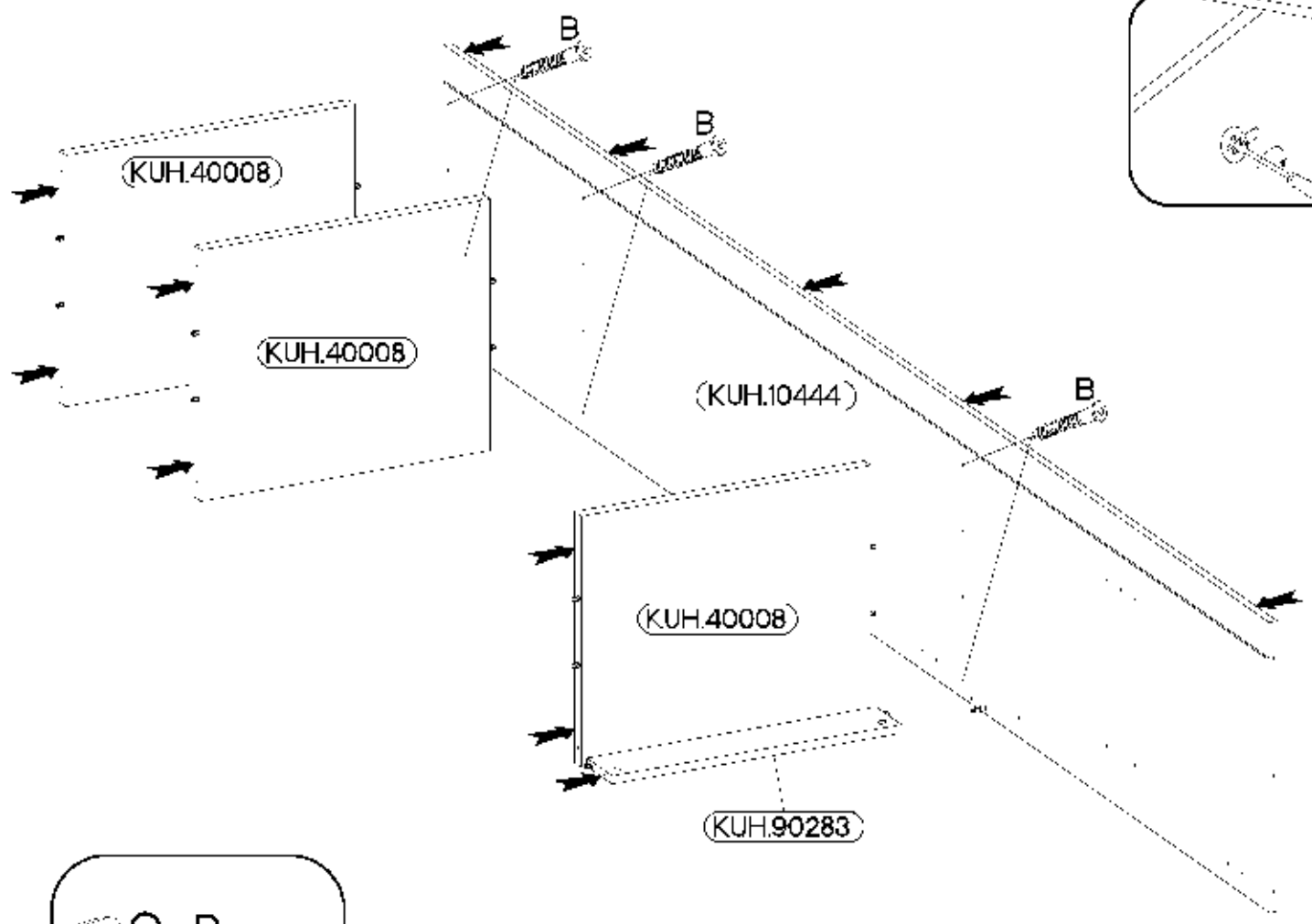
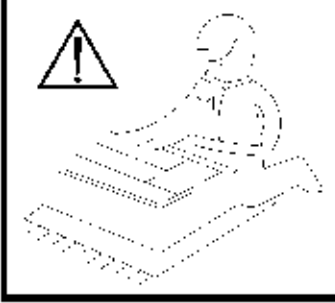
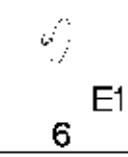
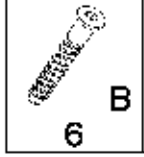


P5 16 F15 4



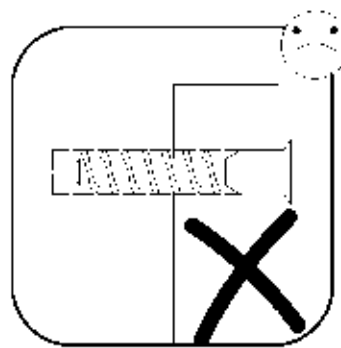
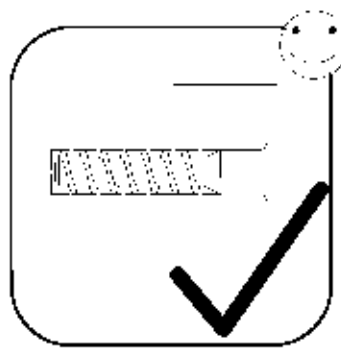
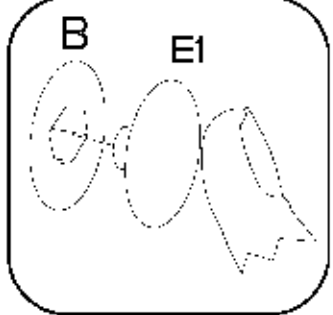
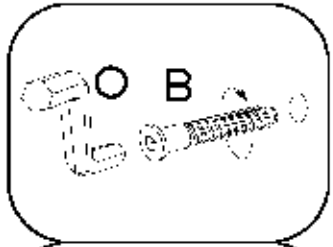
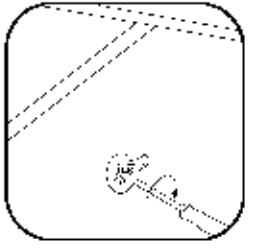
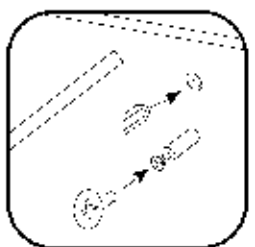
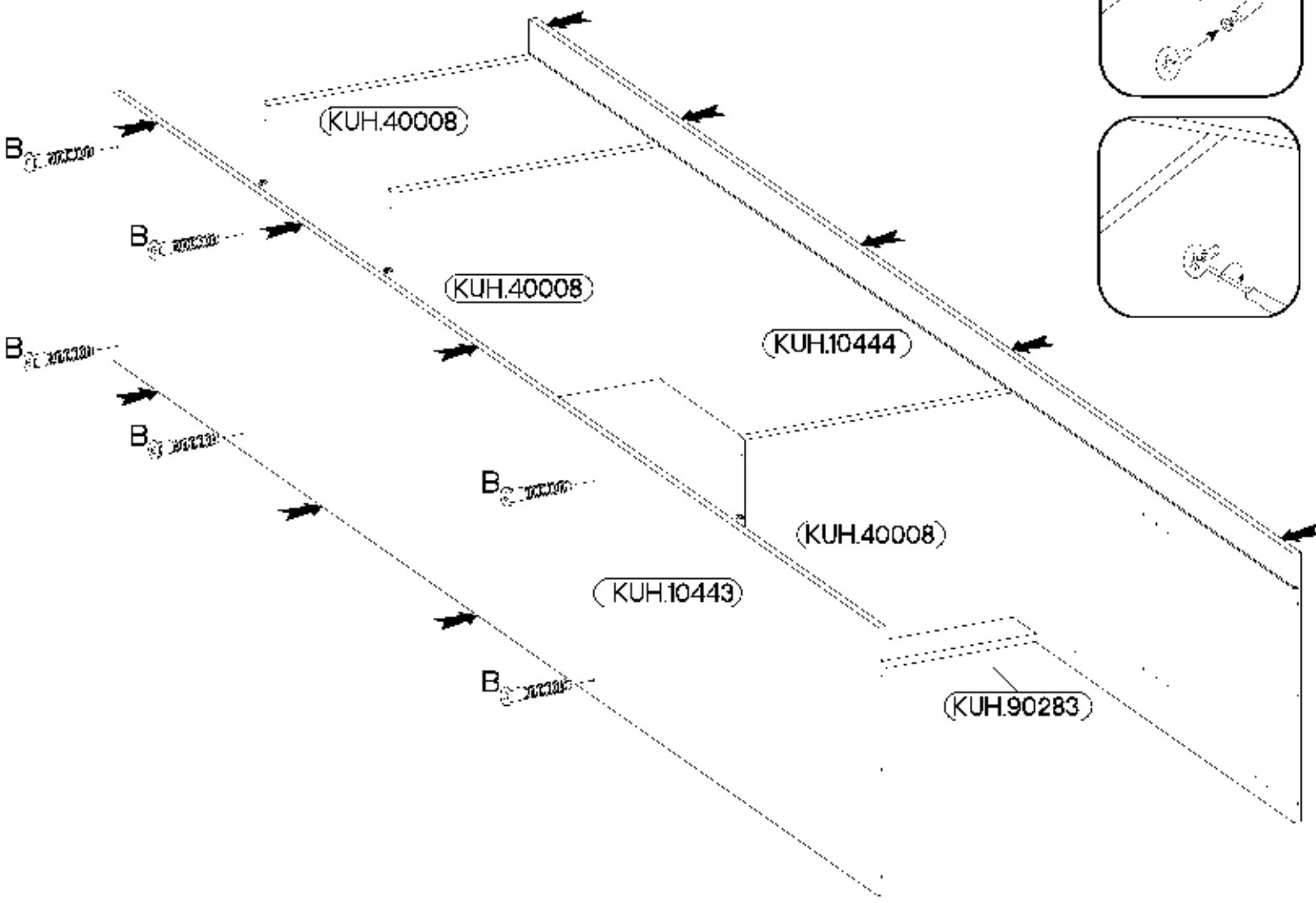
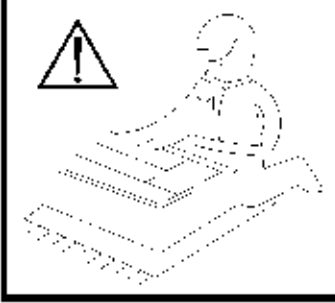
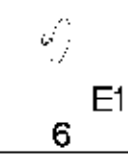
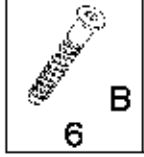
3

6,4 x 50mm



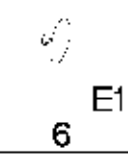
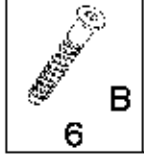
4

6,4 x 50mm



5

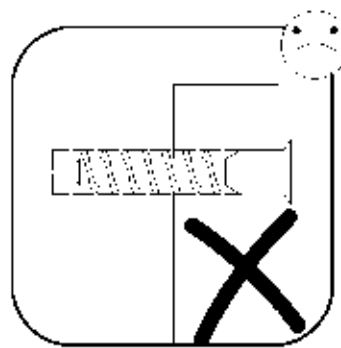
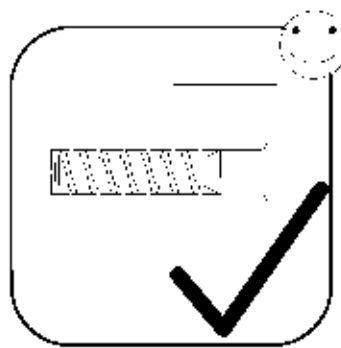
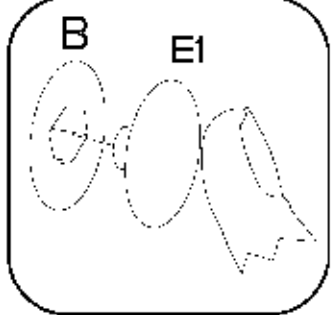
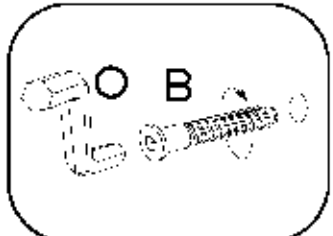
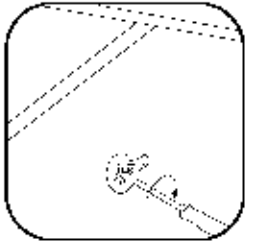
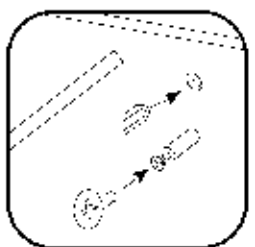
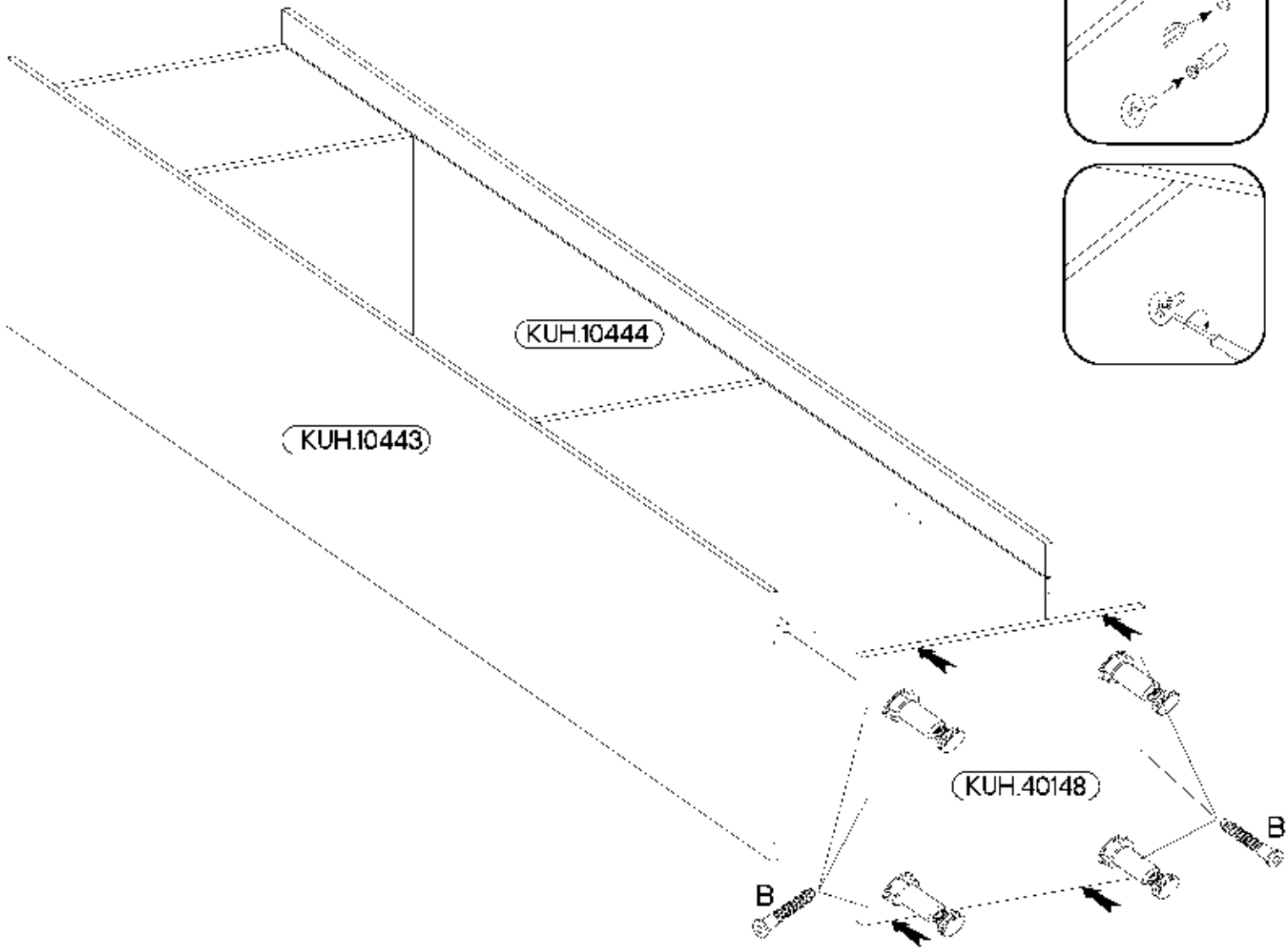
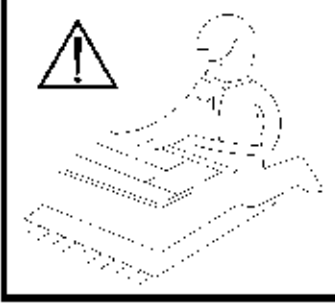
6,4 x 50mm



6 B

1 O

6 E1



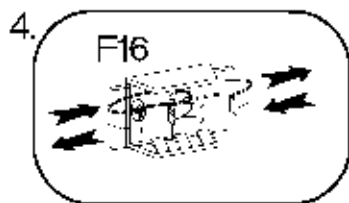
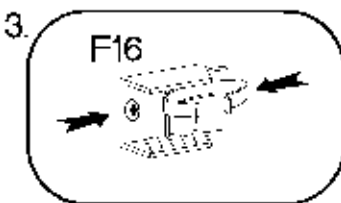
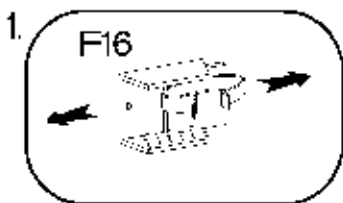
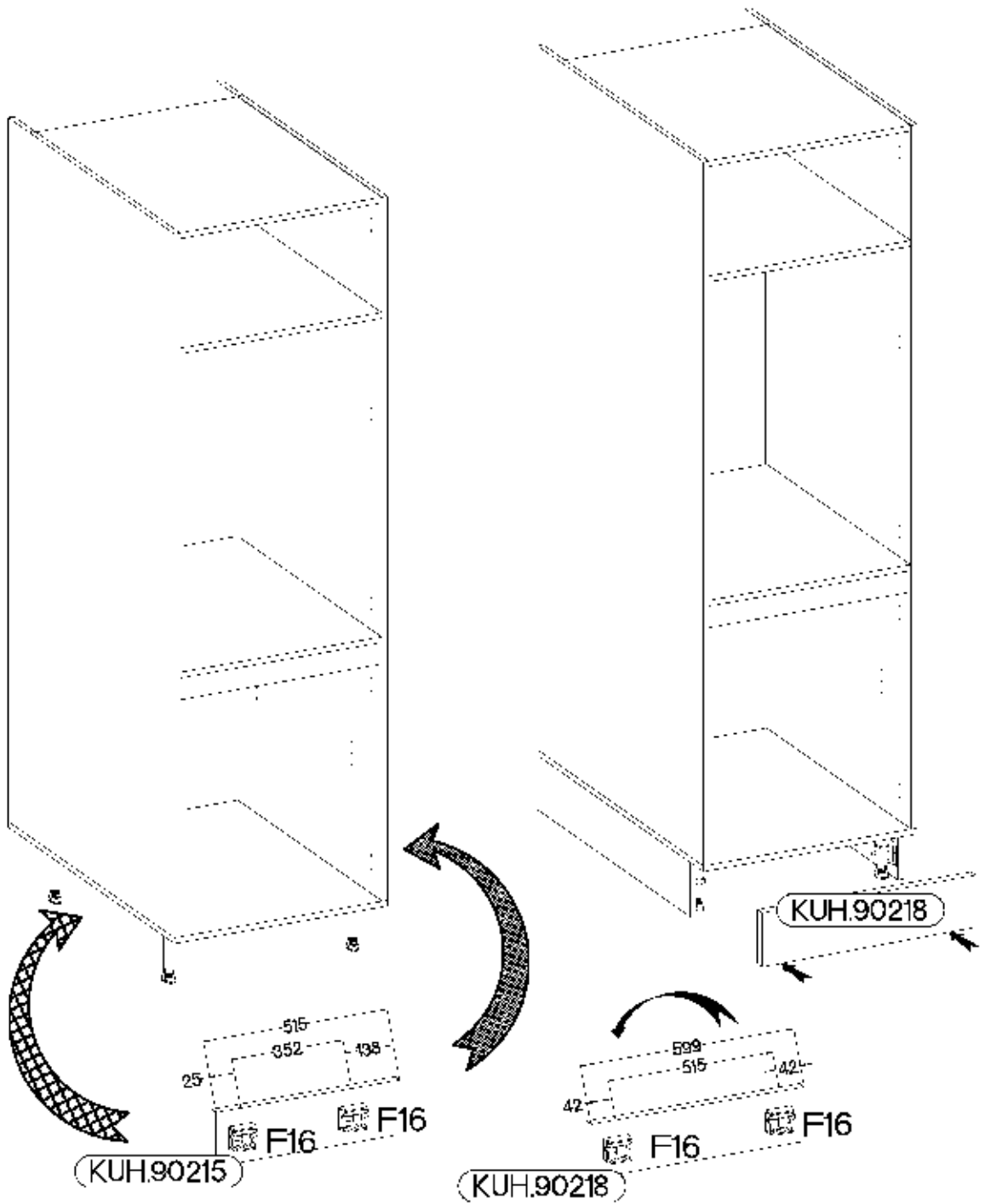
Ø3.5x13mm



P5
12



F16
6



9

±3.5x13mm

120x30x15mm



P5

2



L25

1

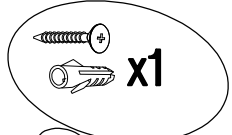
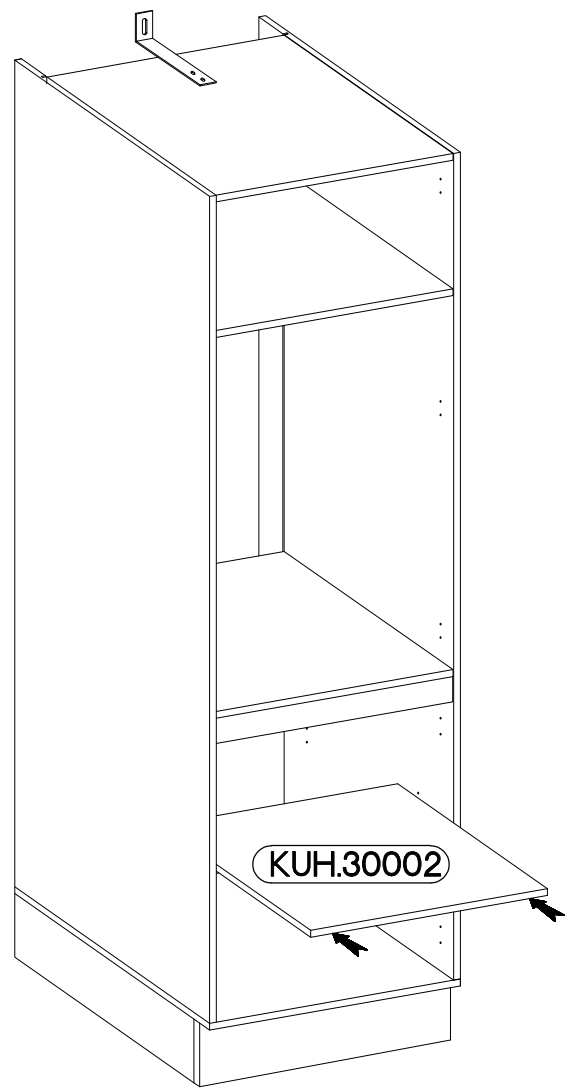
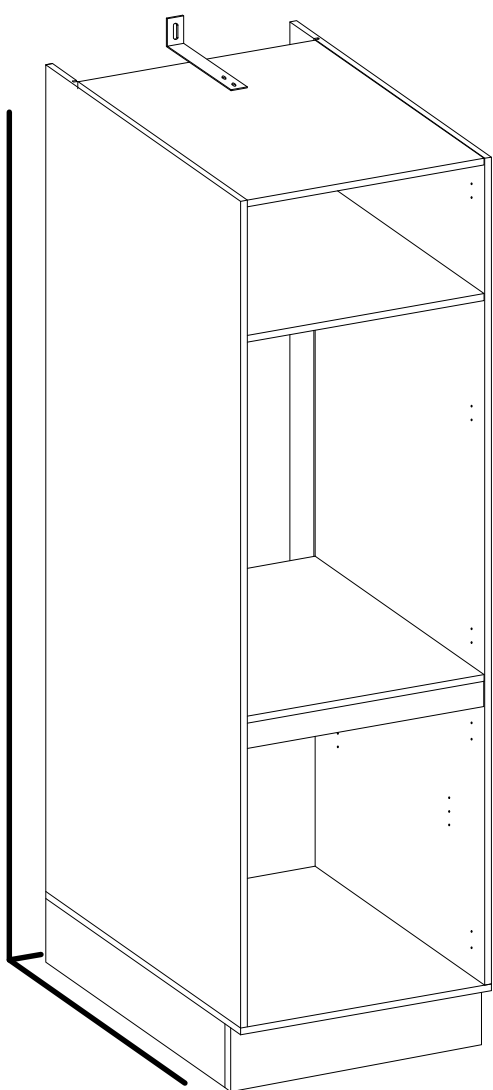
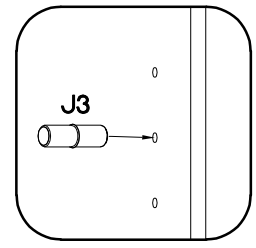
10

±5/16mm

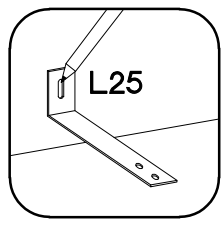


J3

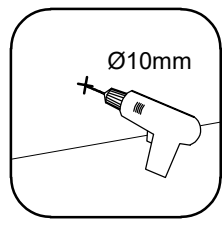
4



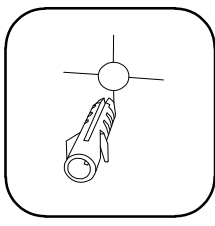
1.



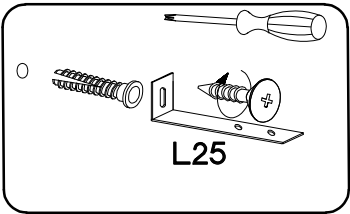
2.



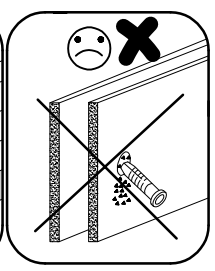
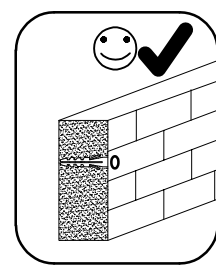
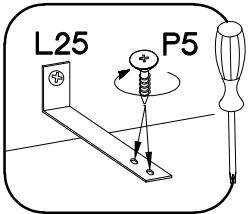
3.



4.

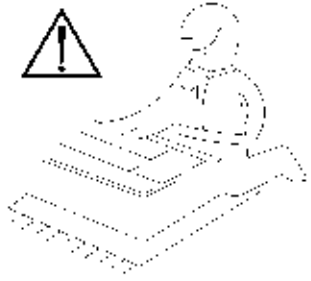
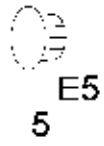
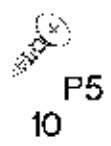


5.

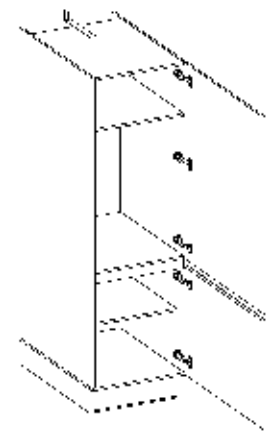
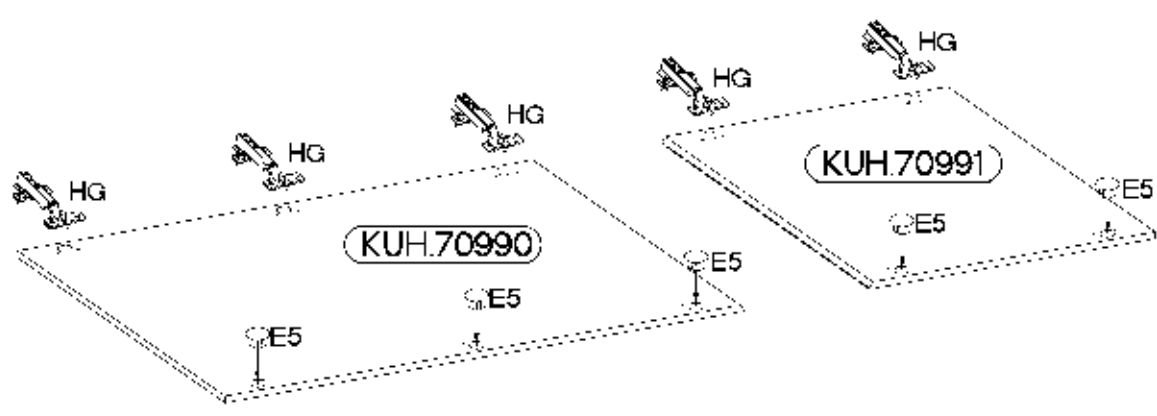




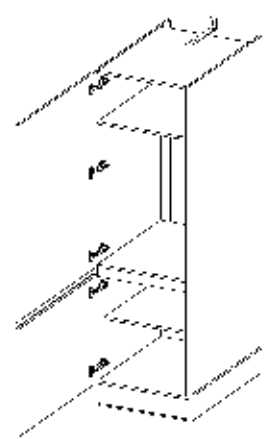
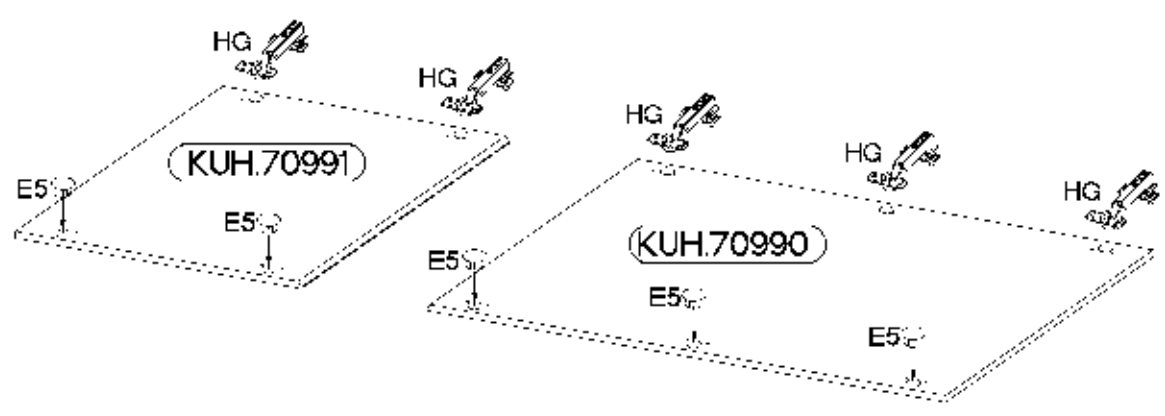
135/0mm 13.5x13mm 135mm

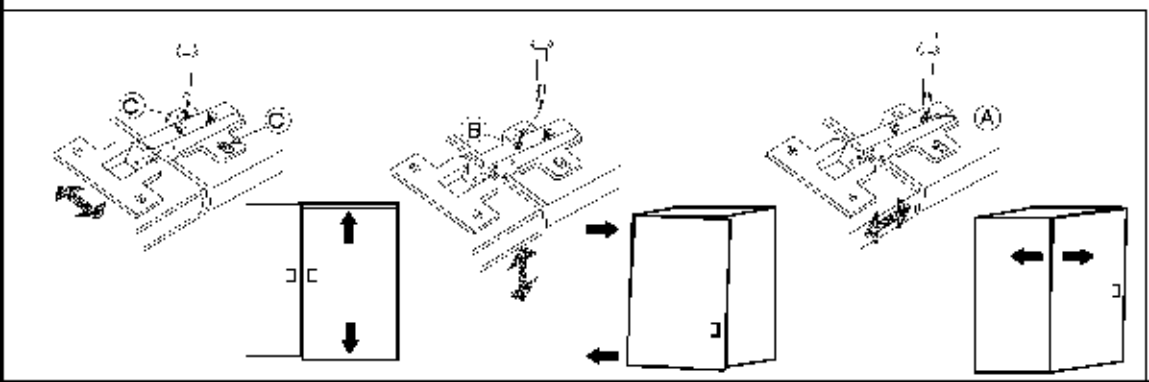
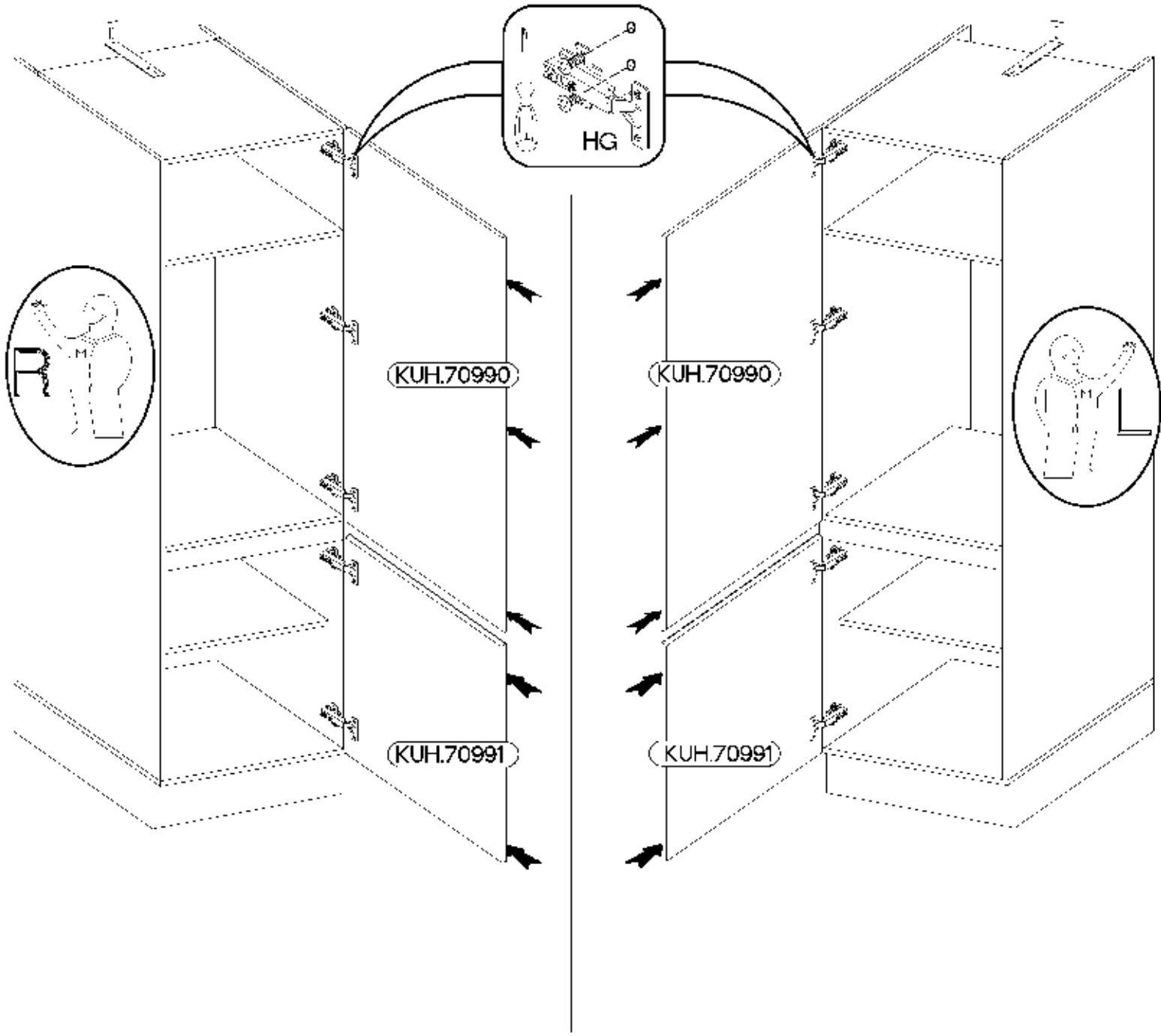


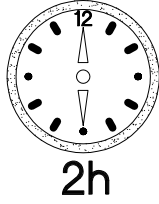
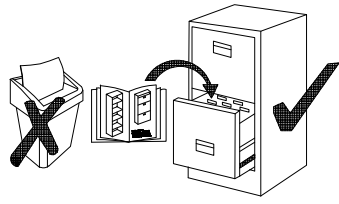
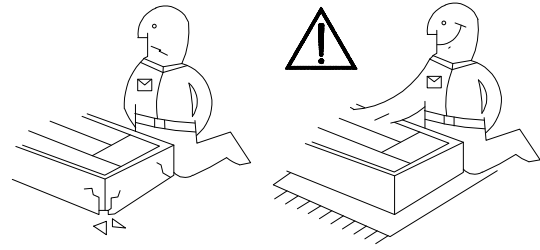
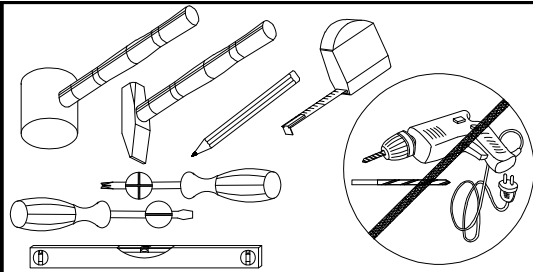
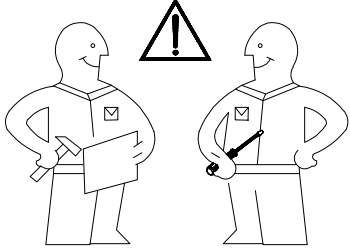
RIGHT



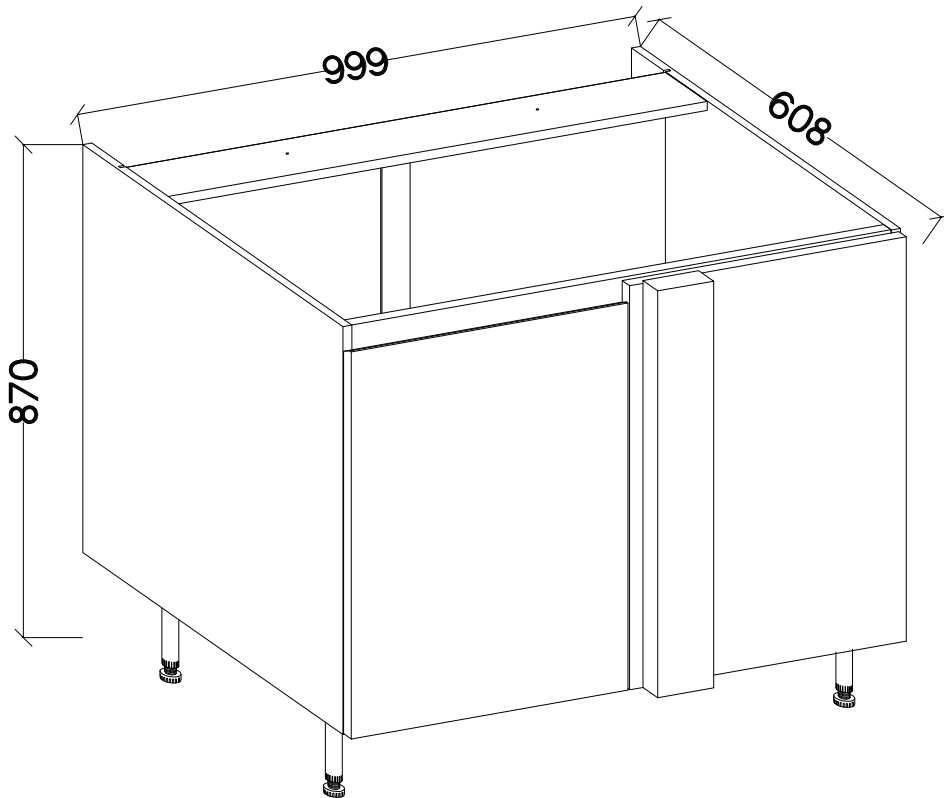
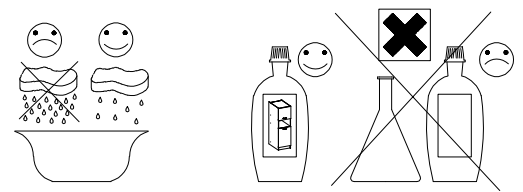
LEFT





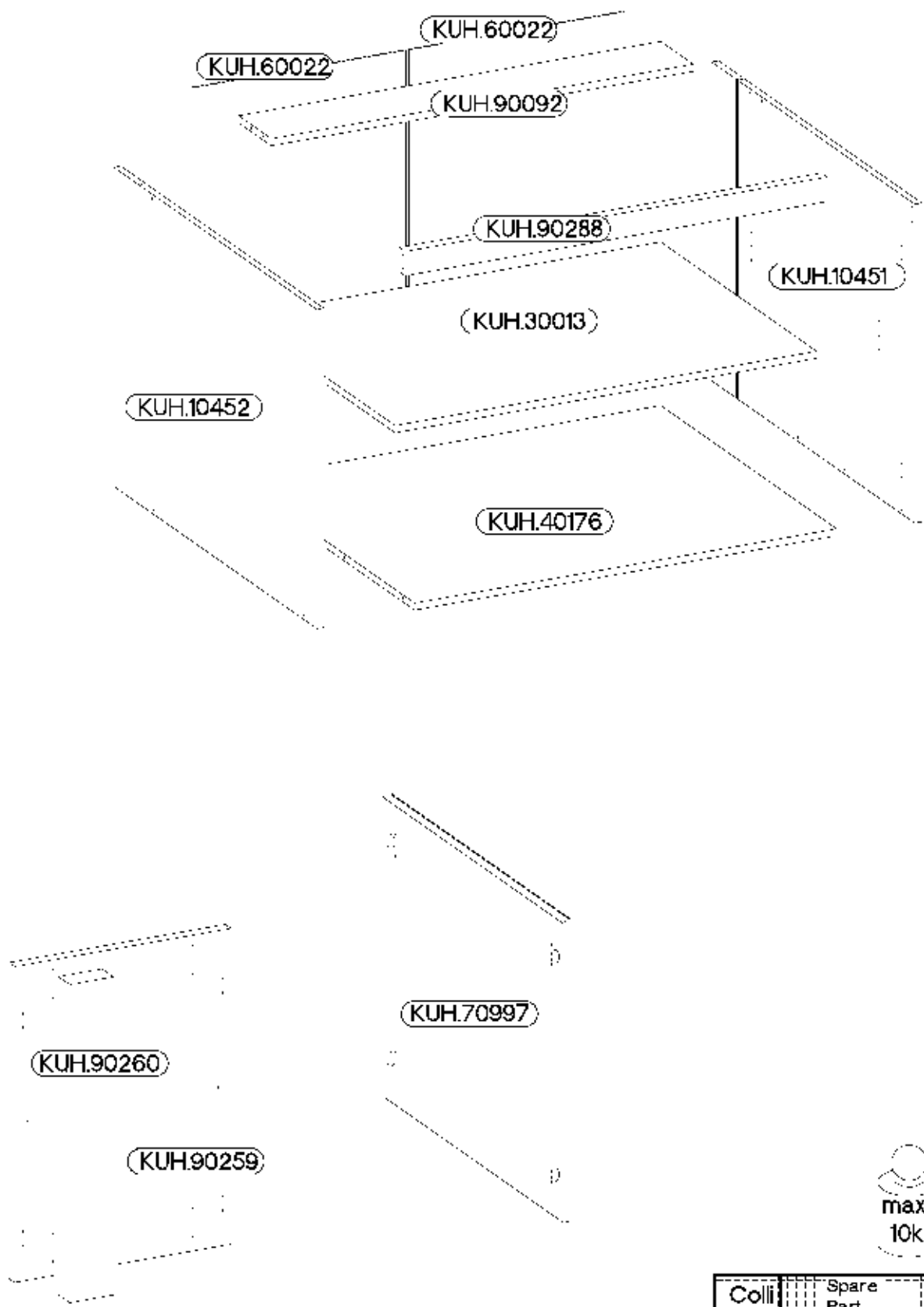


73-201-...
ADANA
ECK-US



+8x30mm A 8	6,4 x 50mm B 6	+15/12mm C 2	L=20mm D2 4	 E1 6	+35mm E5 2	
L=135-170cm F15 4	 F16 2	+35/90° HG6 2	+5/16mm J3 4	L=680mm L1 1	 O 1	+4.0x16mm P1 6
+3.5x13mm P5 32	+3.0x20mm P7 15-20	+4.0x30mm P8 2	+4.0x25mm P14 2	+4.0x35mm R3 2	 T3 3	 T10 2

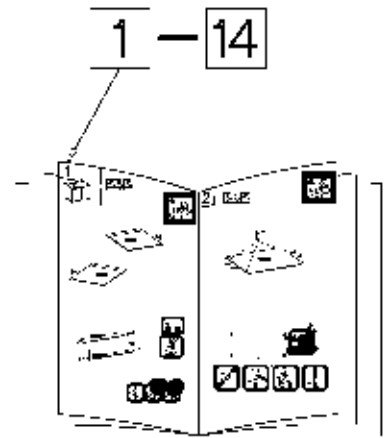
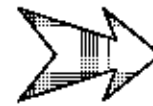
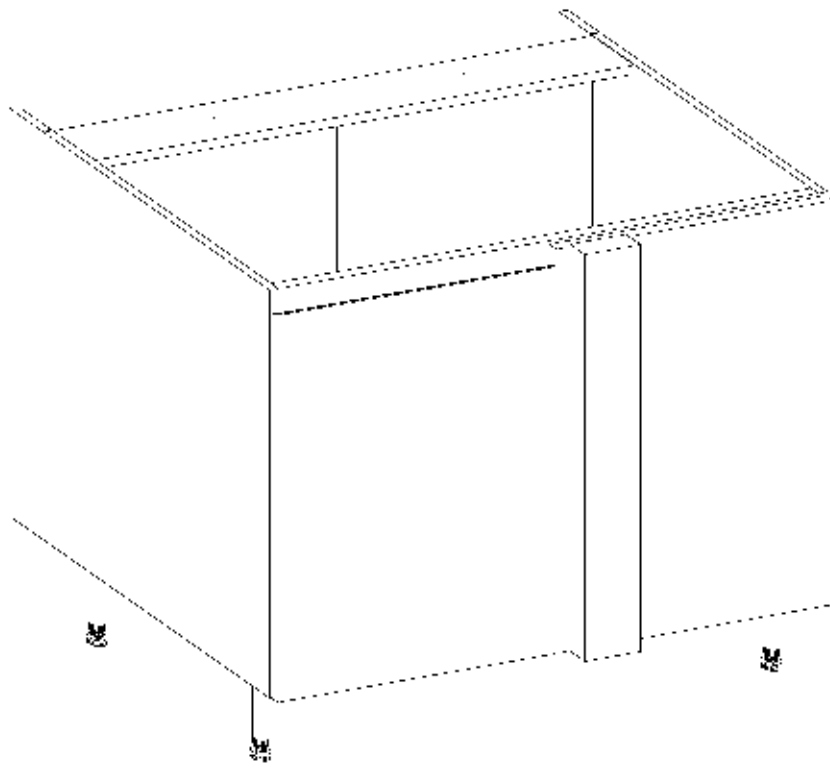
ISM-KUH-01726



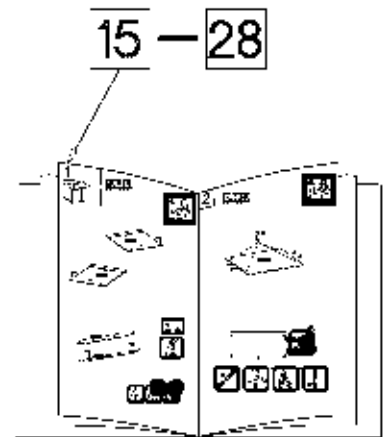
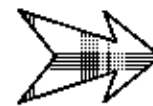
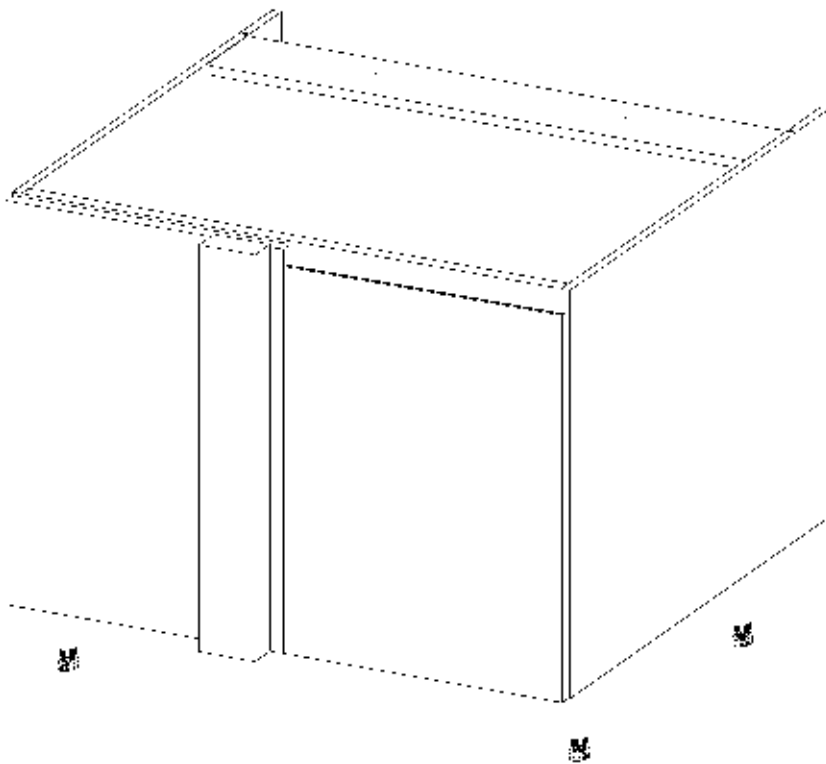
KUH.30013
KUH.40176

Colli	Spare Part	Dimension
Colli 1/2	KUH.10451	720x560x16
	KUH.10452	720x560x16
	KUH.30013	966x430x16
	KUH.40176	967x485x16
	KUH.60022 x2	713x491x2,5
	KUH.70997	683x496x16
	KUH.90289	713x496x16
Colli 2/2	KUH.90290	718x100x32
	KUH.90092	967x90x16
	KUH.90288	967x55x16

VARIANT






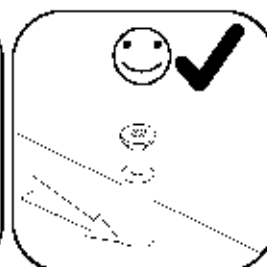
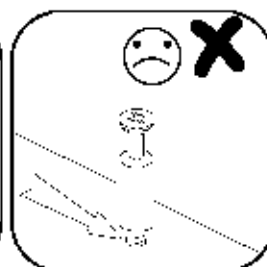
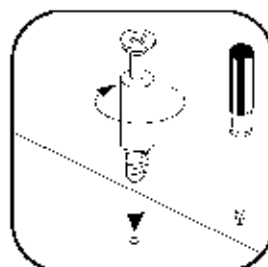
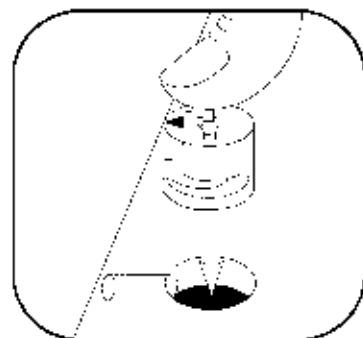
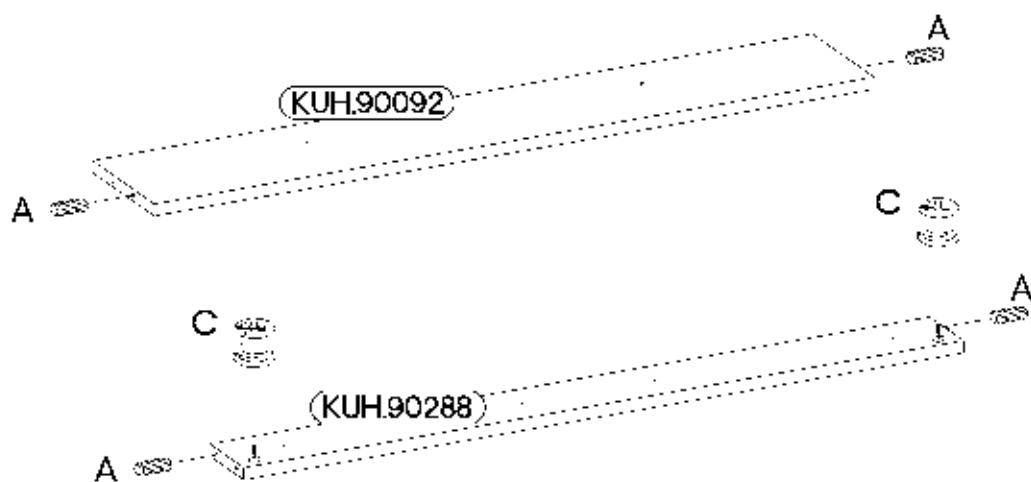
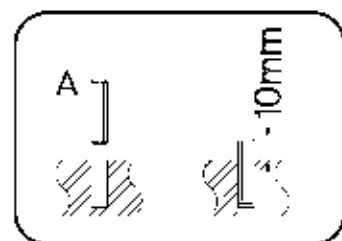
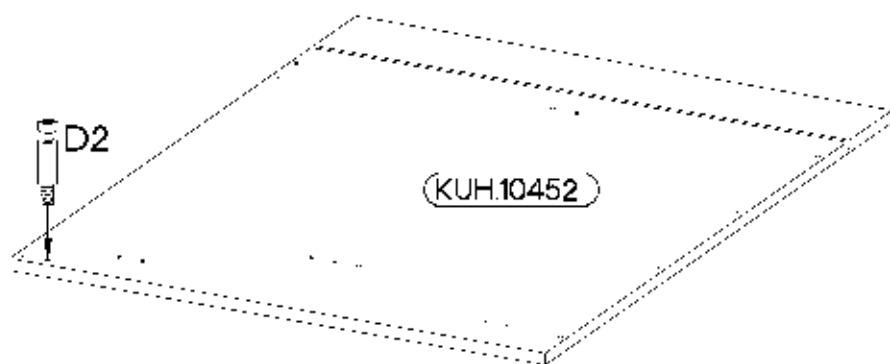
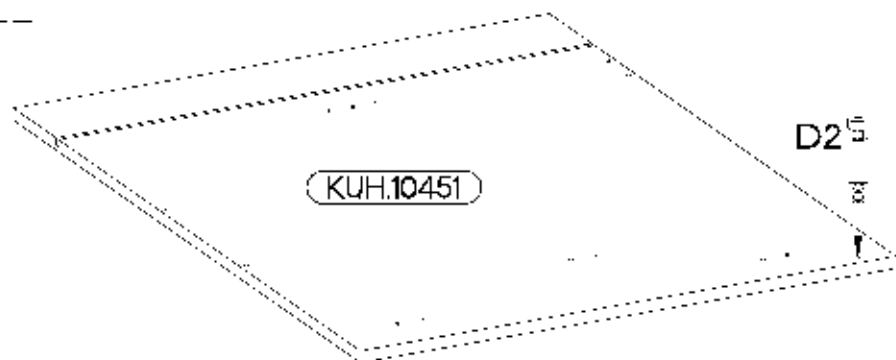
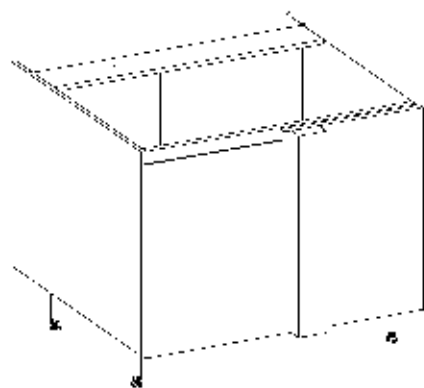
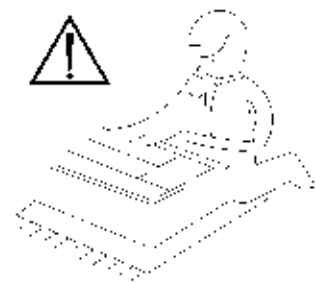
VARIANT






VARIAN

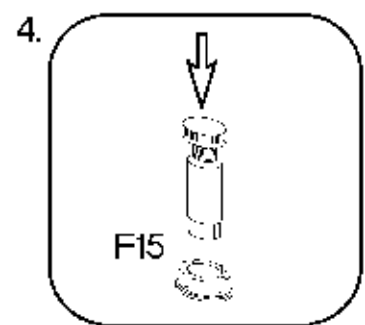
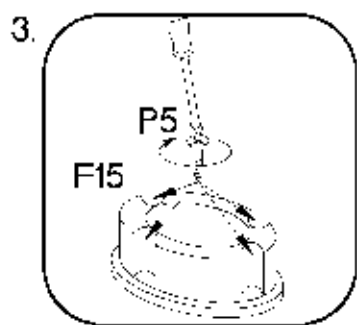
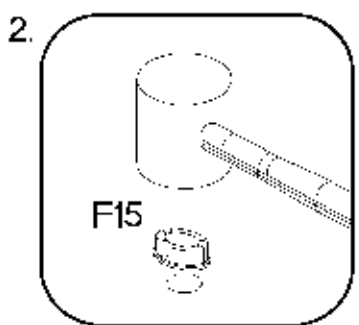
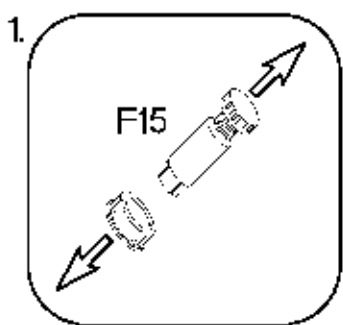
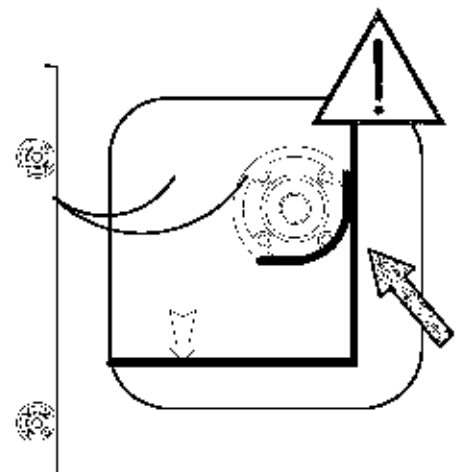
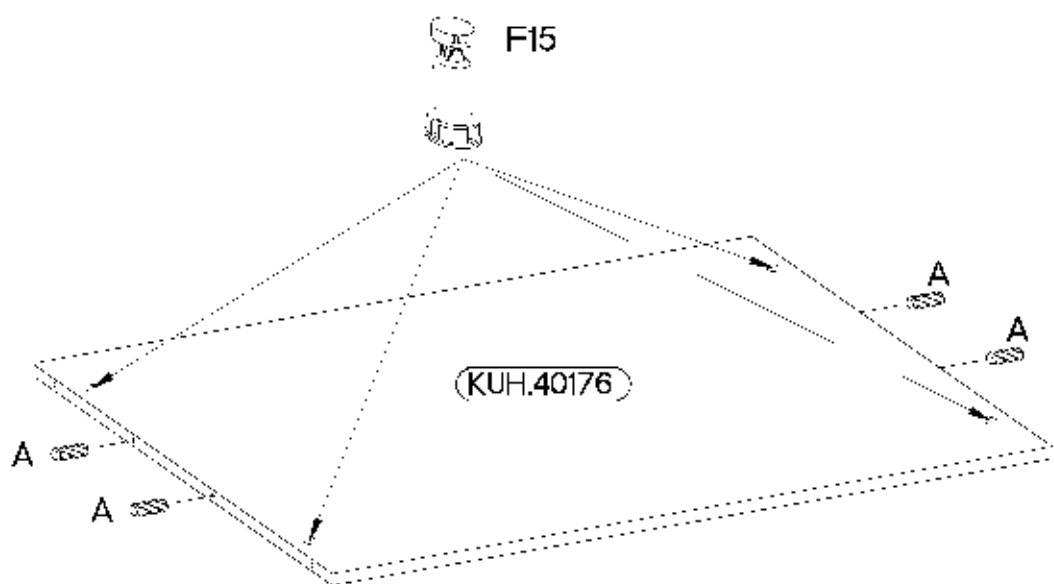
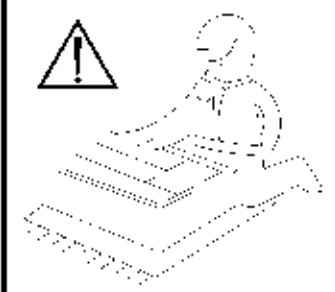
1

Ø8x30mm	Ø5/12mm	L-20mm
		
A	C	D2
4	2	4

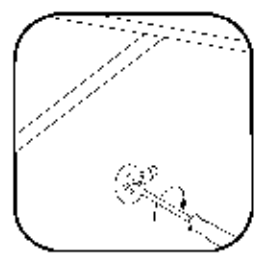
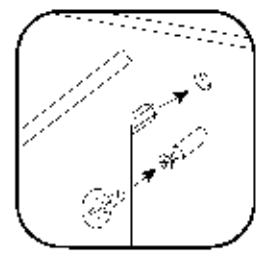
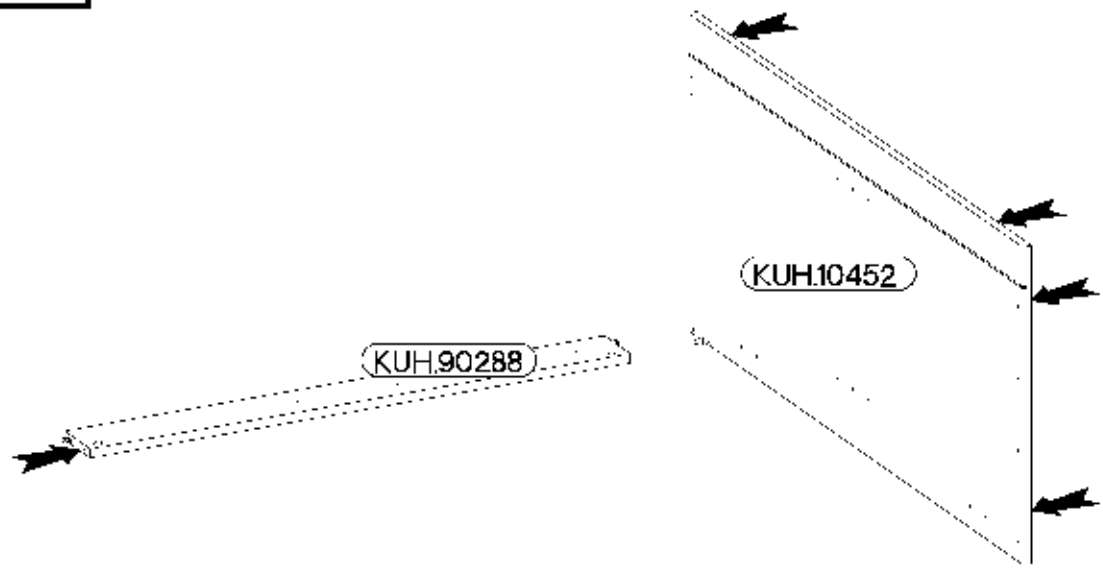
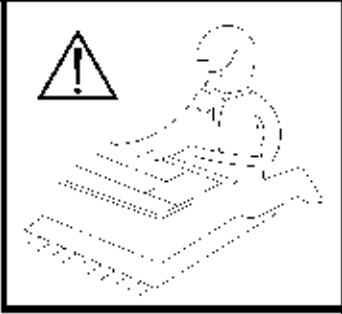


2

$\varnothing 3.5 \times 13 \text{mm}$ L-135 170cm $\varnothing 8 \times 30 \text{mm}$
 P5  F15  A
 16 4 4

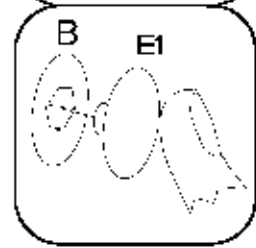
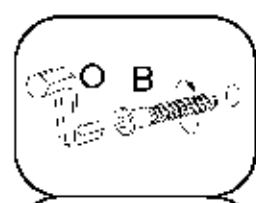
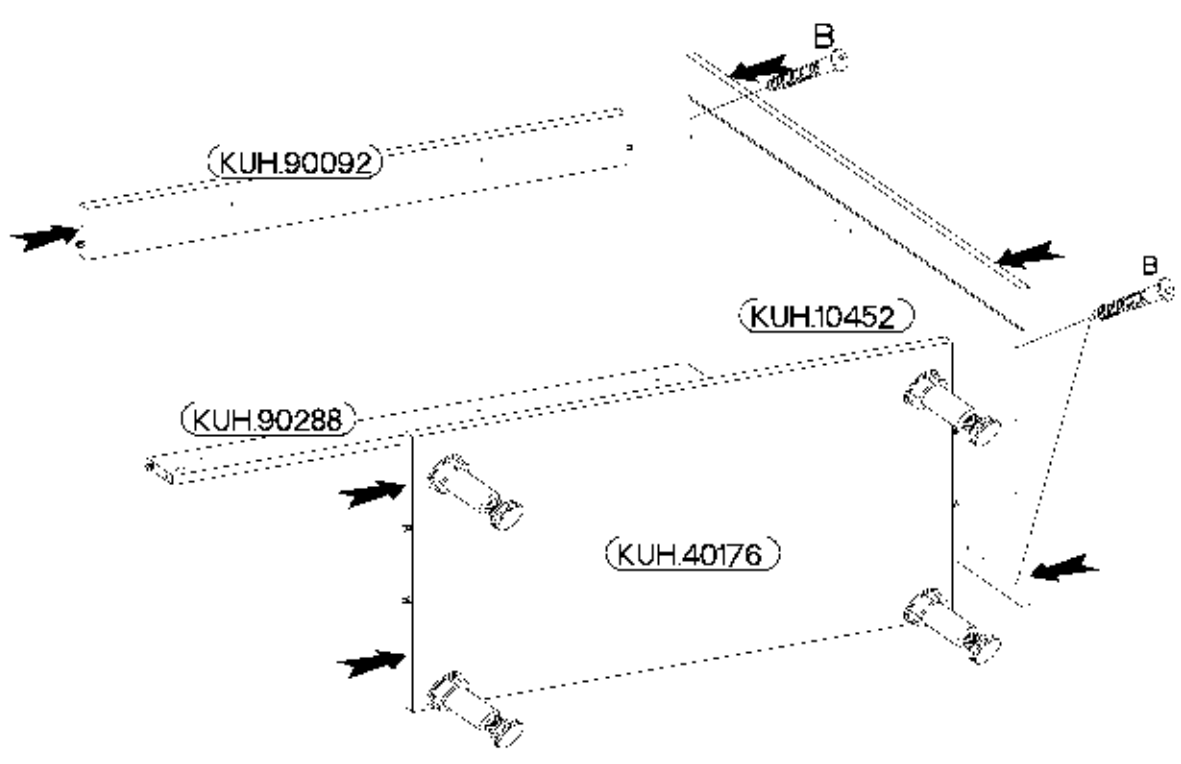
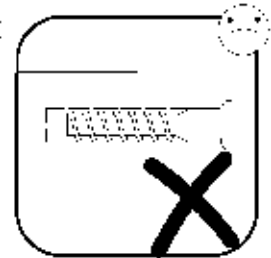
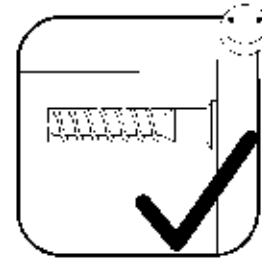
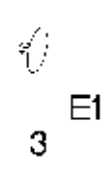
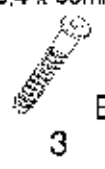


3



4

6.4 x 50mm



5

6.4 x 50mm



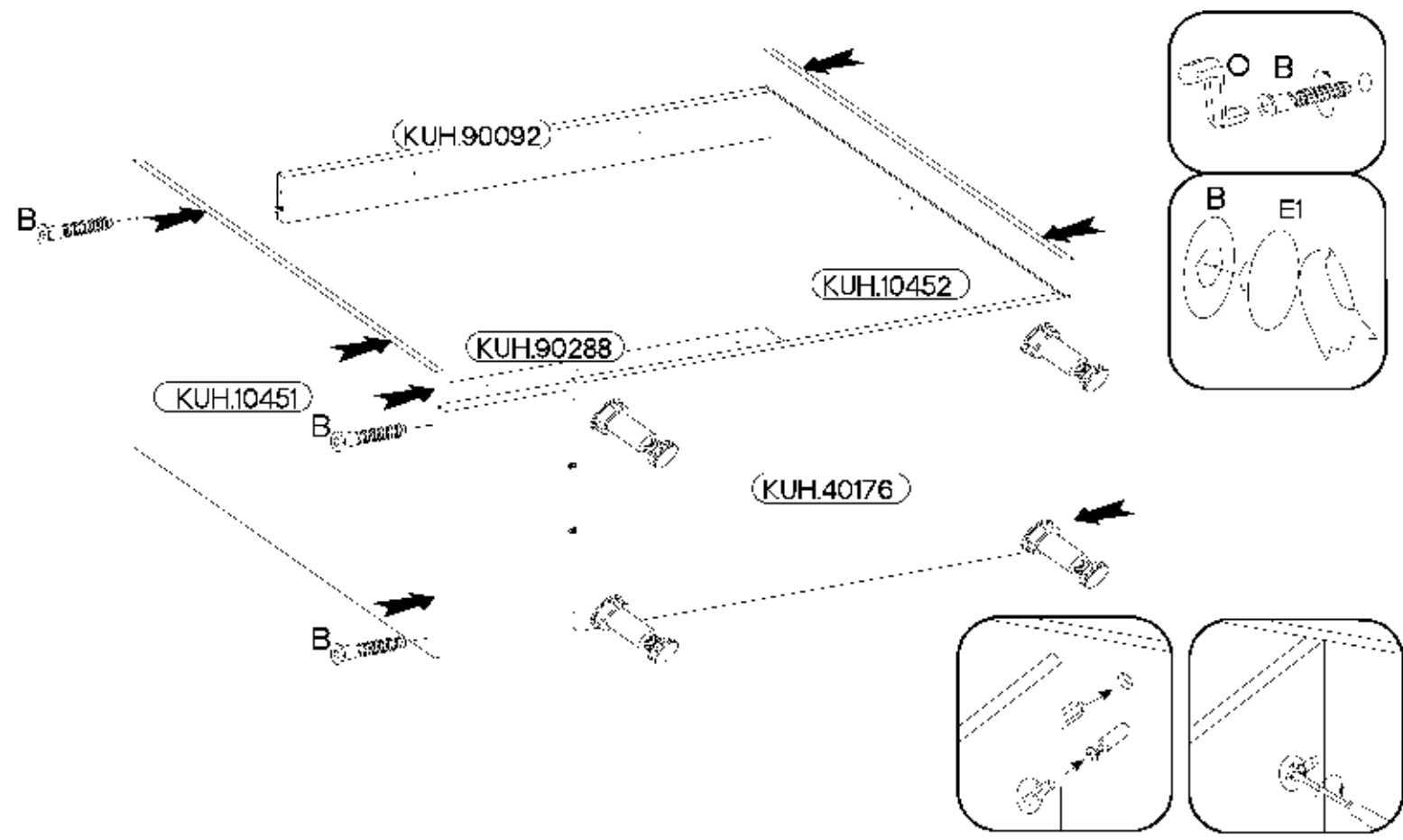
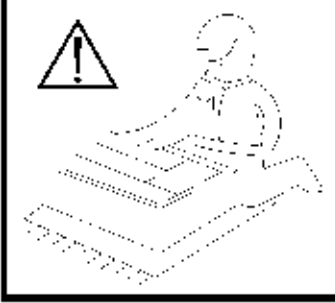
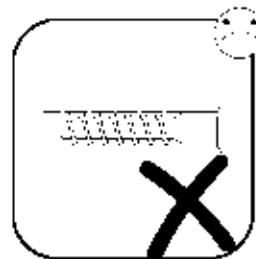
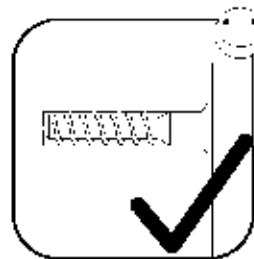
3 B



1 O



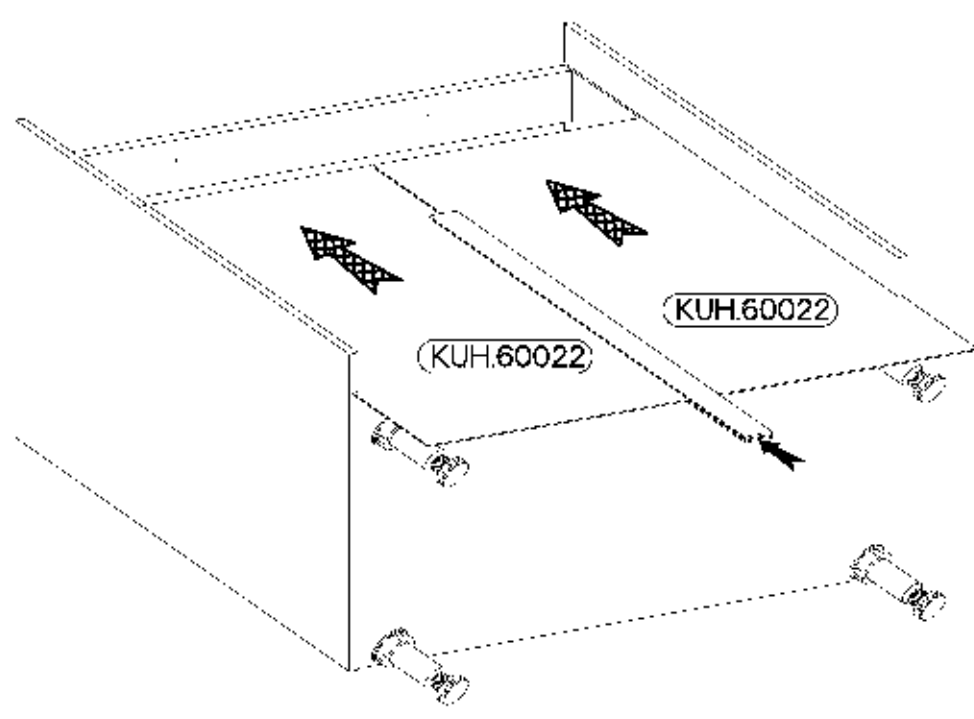
3 E1



6

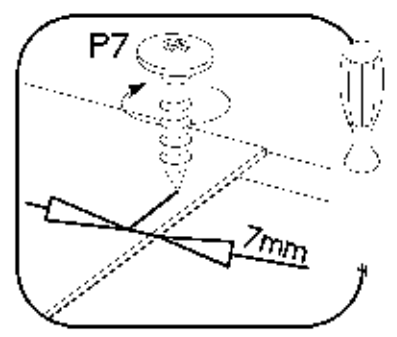
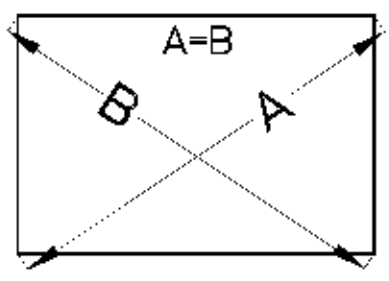
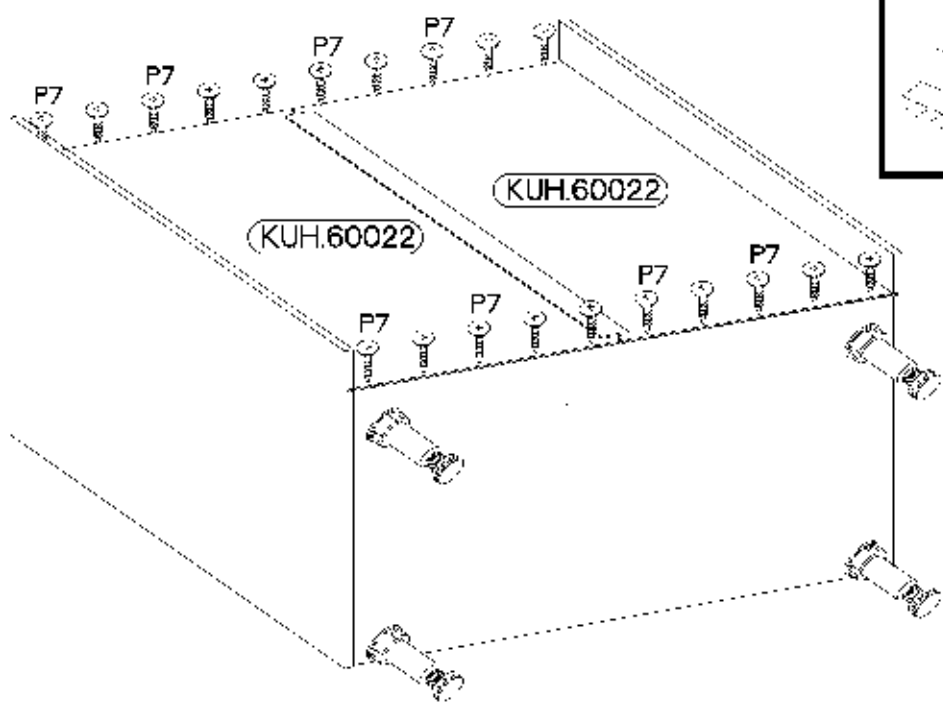
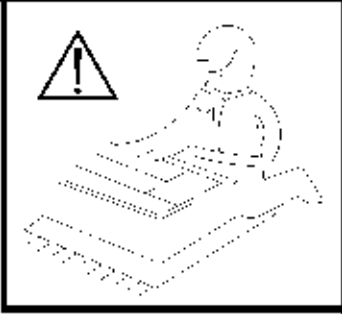
L=680mm

L1
1



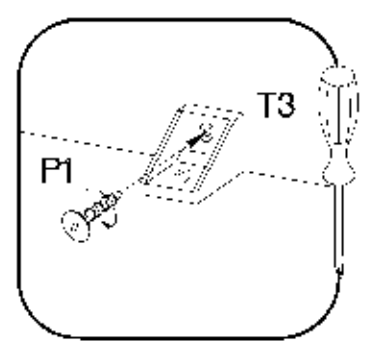
7

+3.0x20mm
P7
15-20

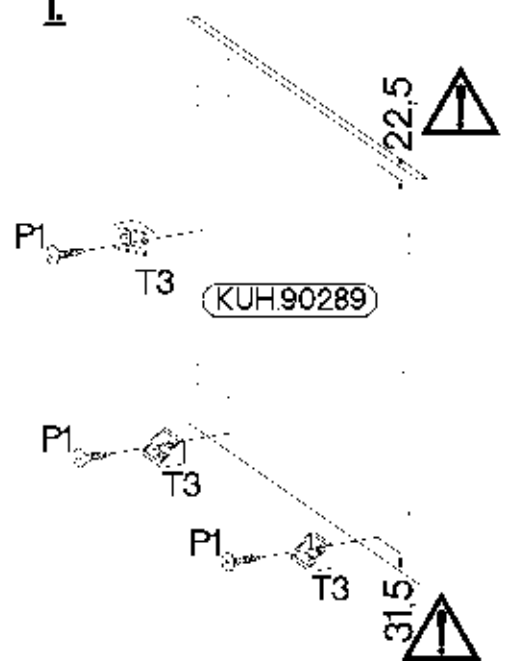


8

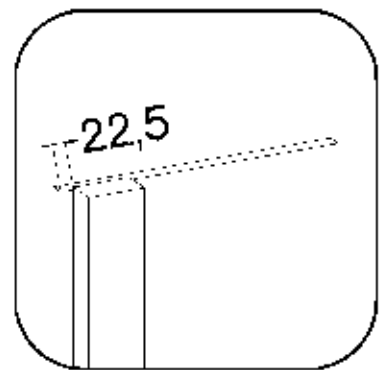
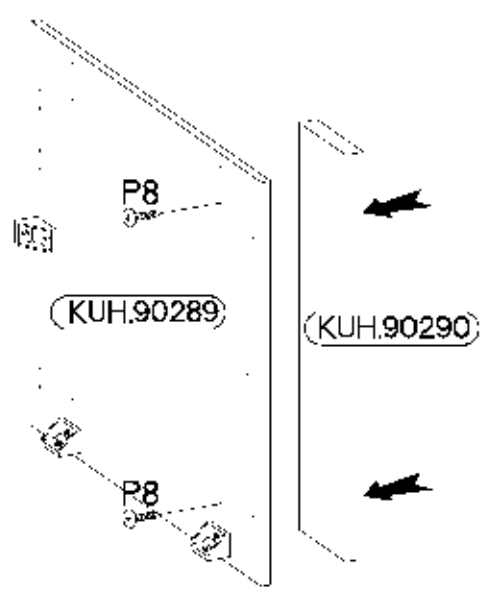
+4.0x16mm +4.0x30mm
T3 P1 P8
3 3 2



1.

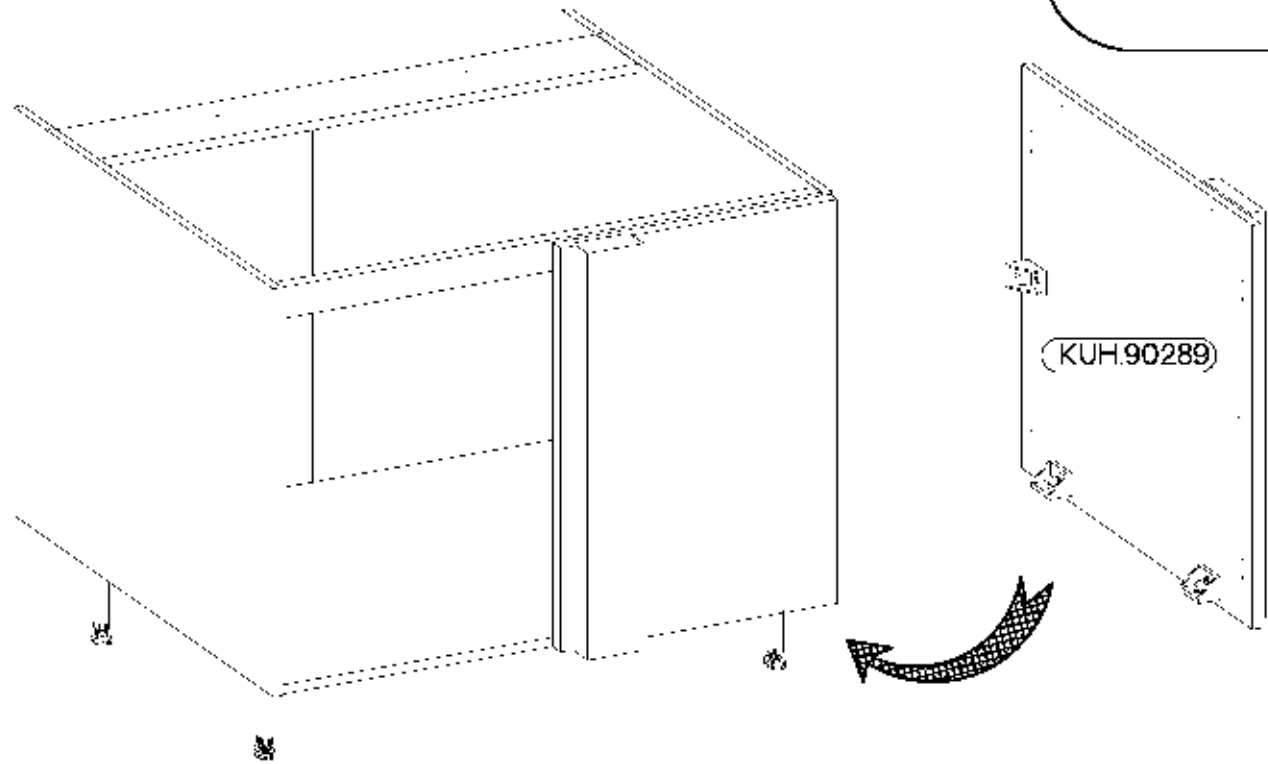
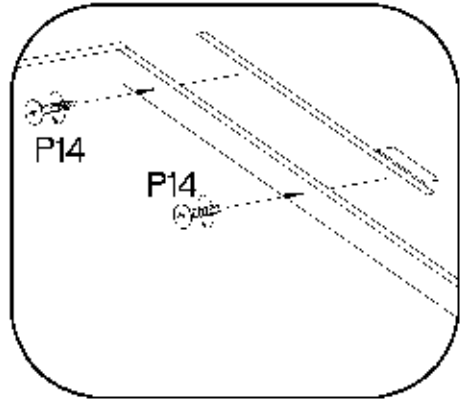
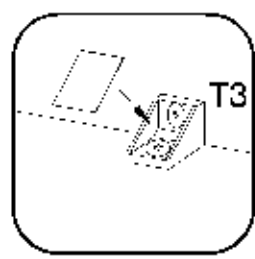
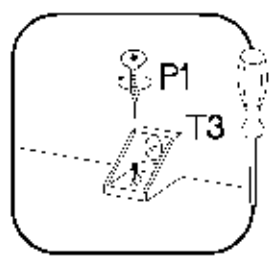
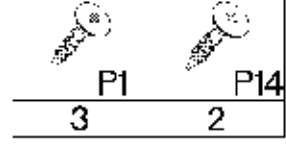


2.



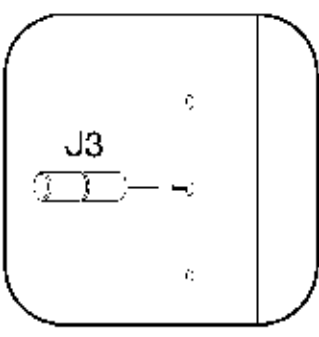
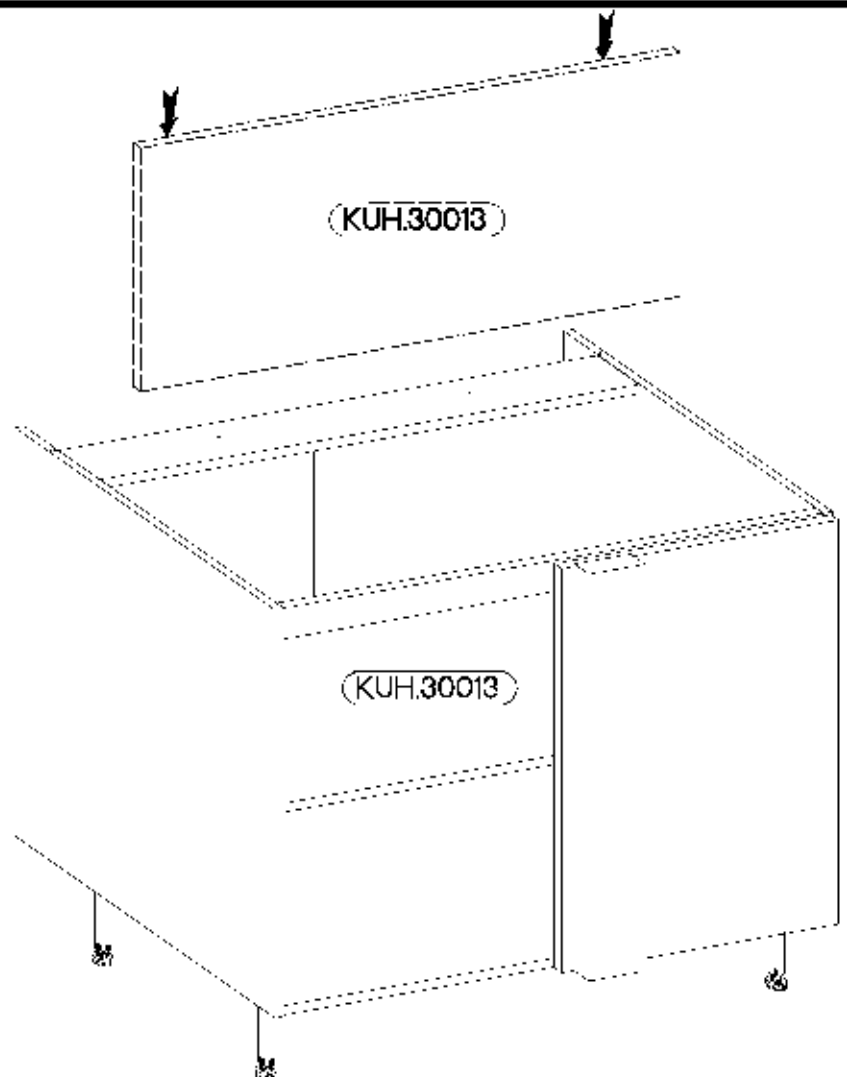
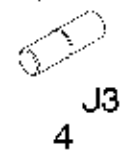
9

±4.0x16mm ±4.0x25mm






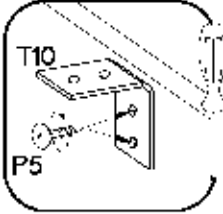

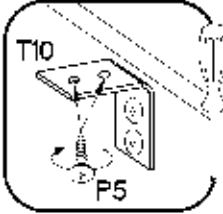
10

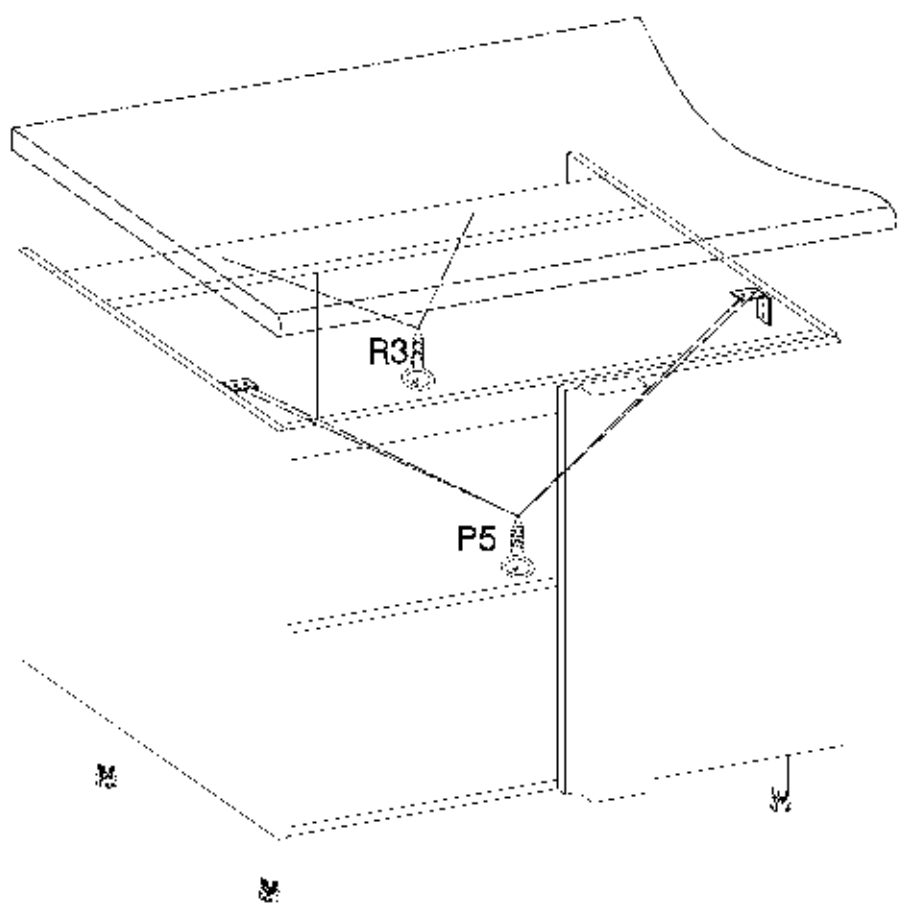
±5/16mm





11

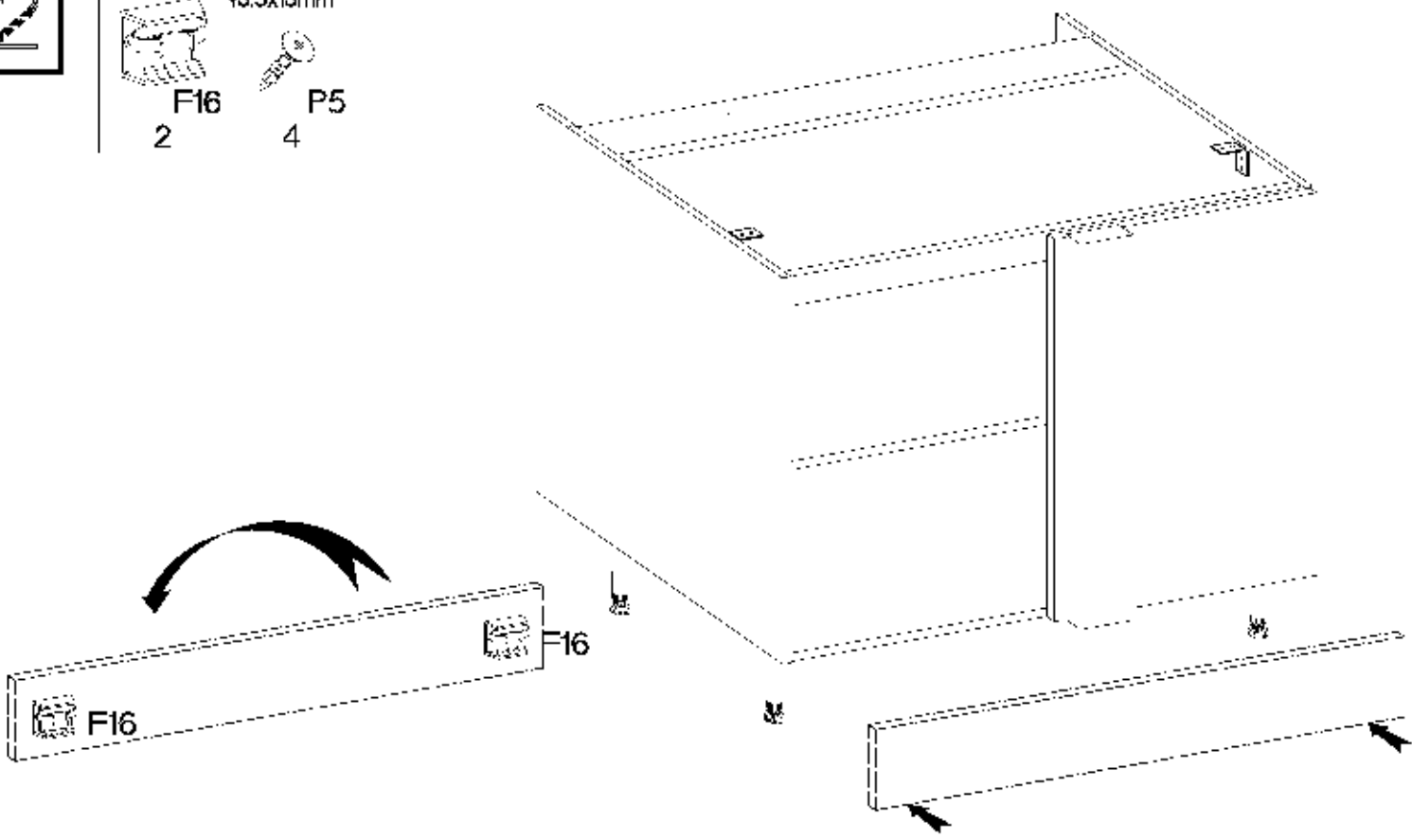
$\varnothing 3.5 \times 13 \text{mm}$ $\varnothing 4.0 \times 35 \text{mm}$
  
 P5 R3 T10
 8 2 2

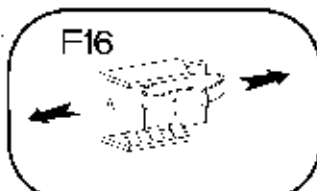

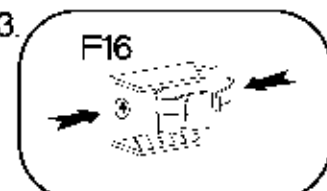
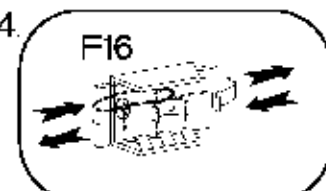
- 

- 






12

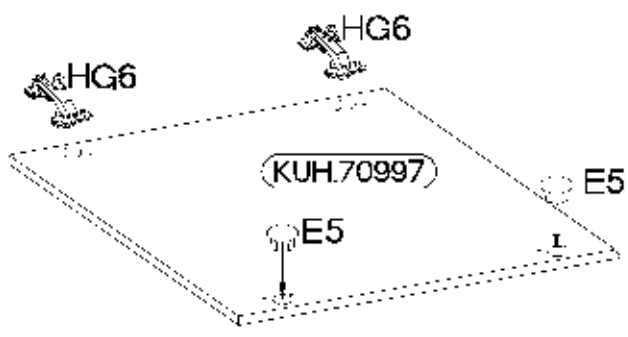
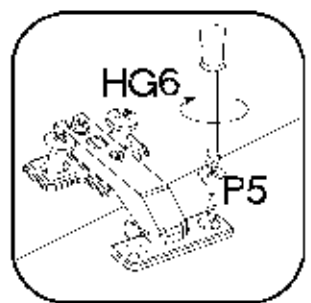
$\varnothing 3.5 \times 13 \text{mm}$
 
 F16 P5
 2 4



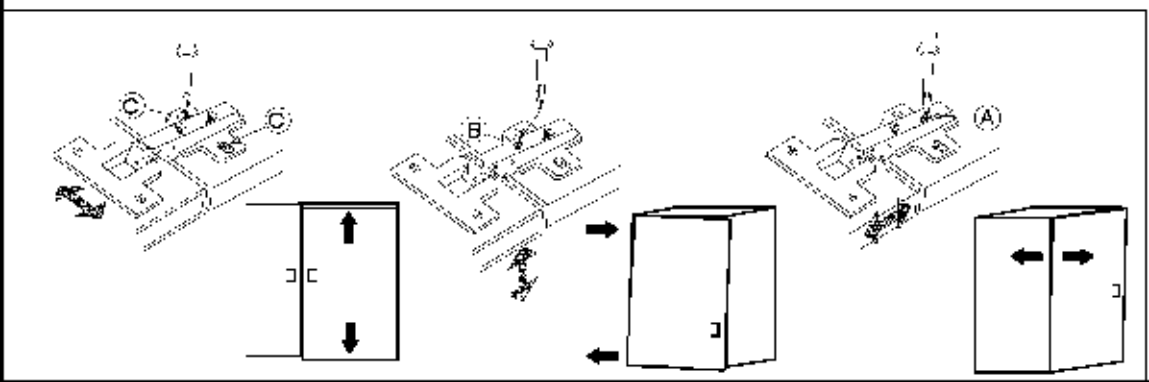
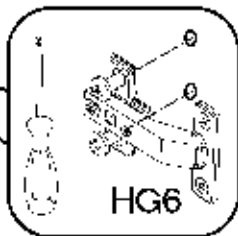
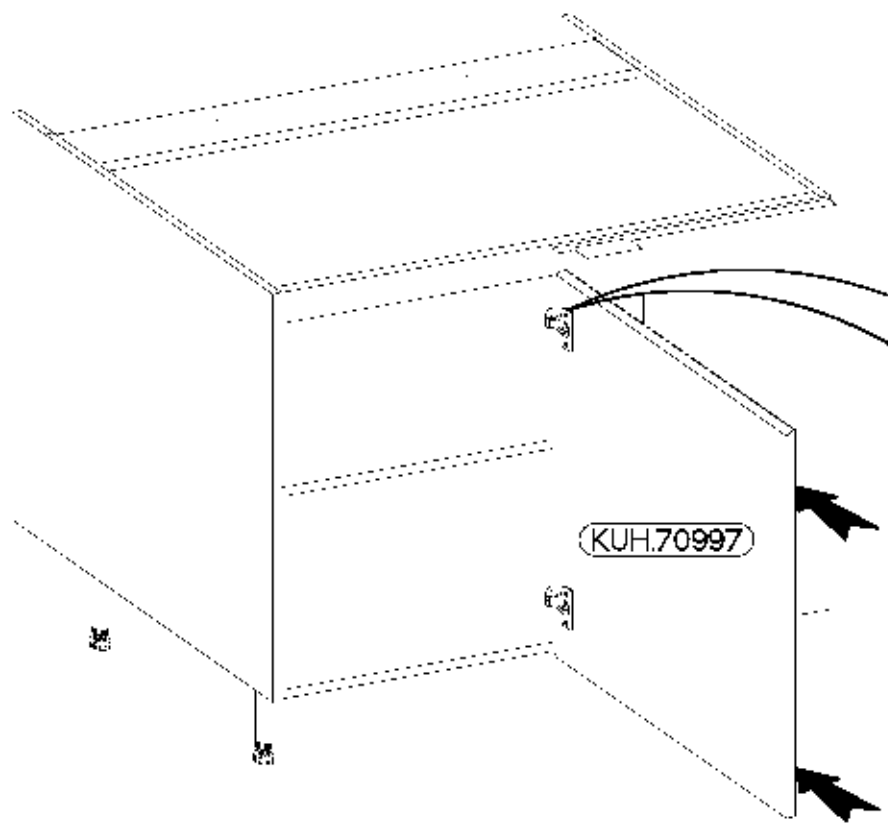
- 
- 
- 
- 

13

 $\approx 35/90^\circ$	 $\pm 3.5 \times 13 \text{mm}$	 $\pm 35 \text{mm}$
HG6	P5	E5
2	4	2






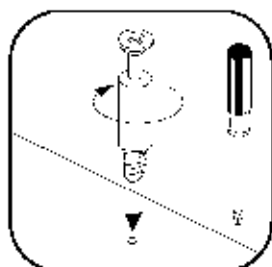
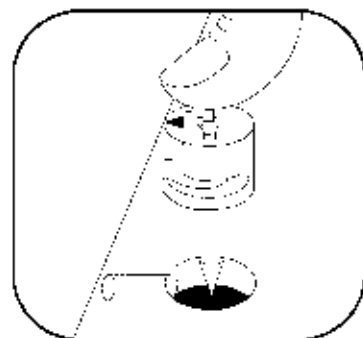
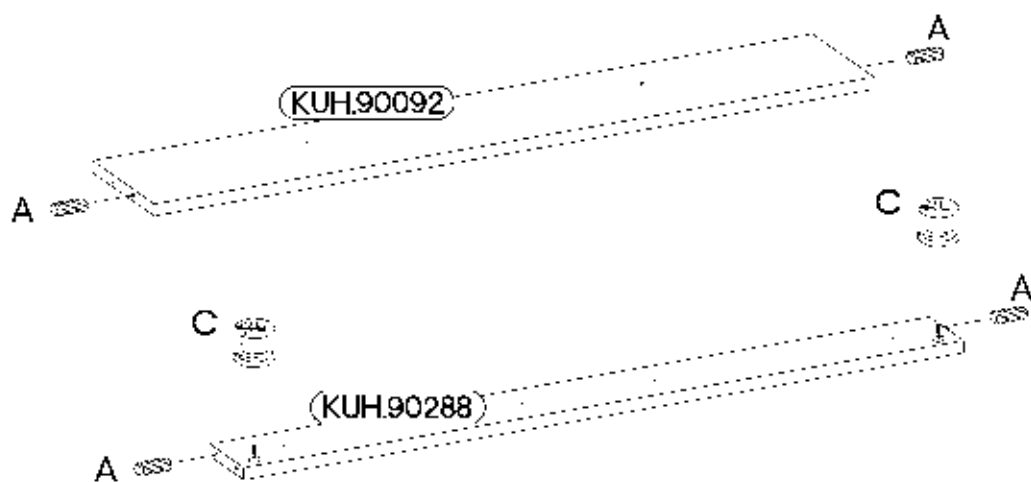
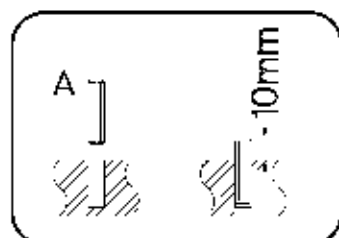
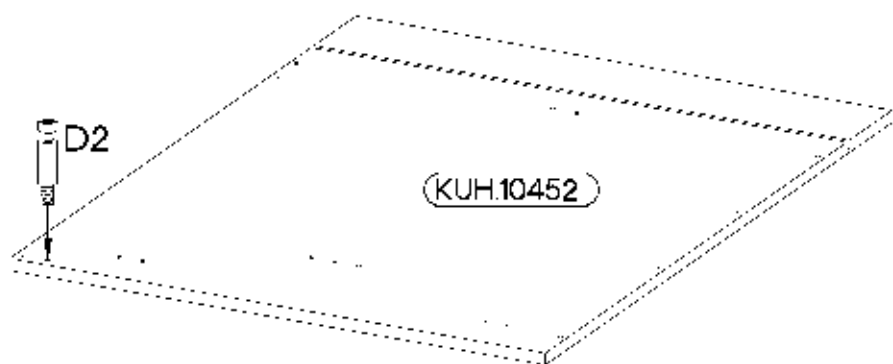
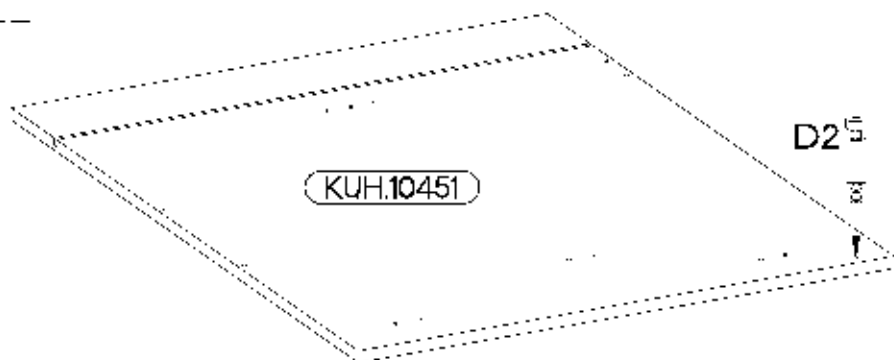
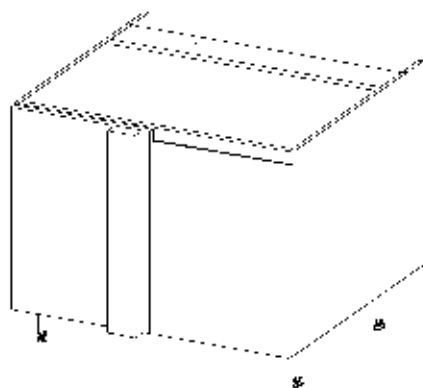
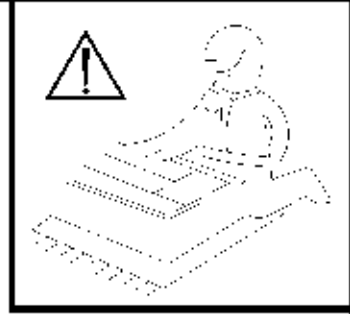
14



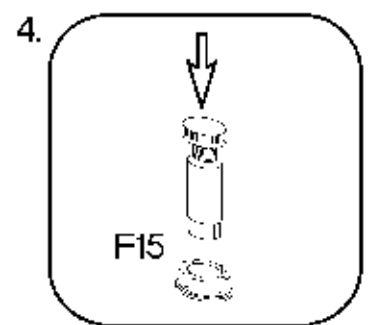
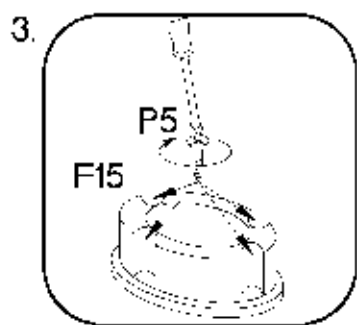
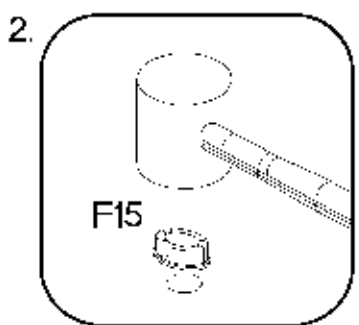
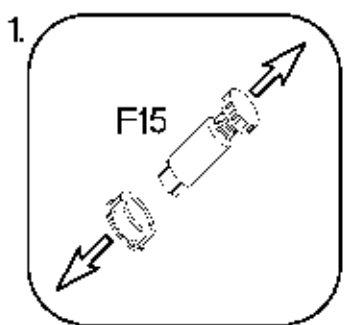
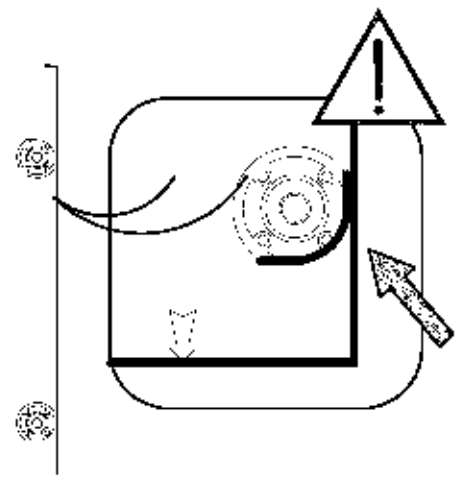
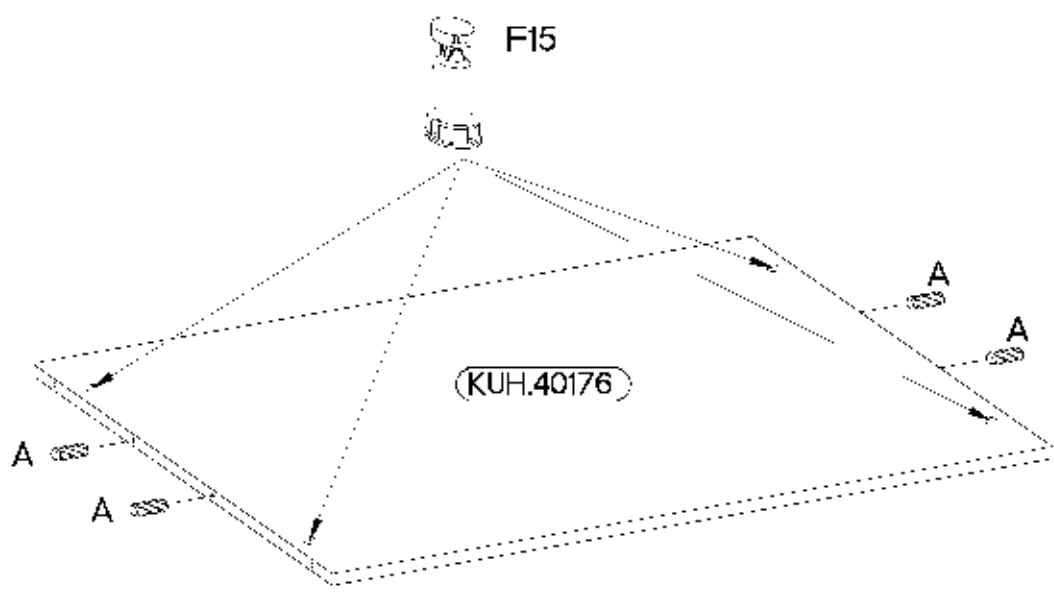
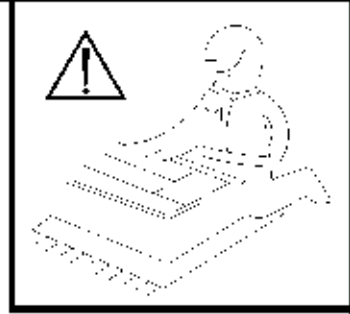
VARIAN

15

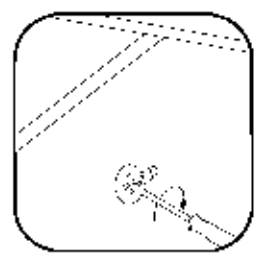
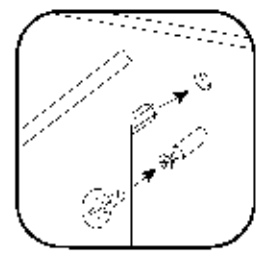
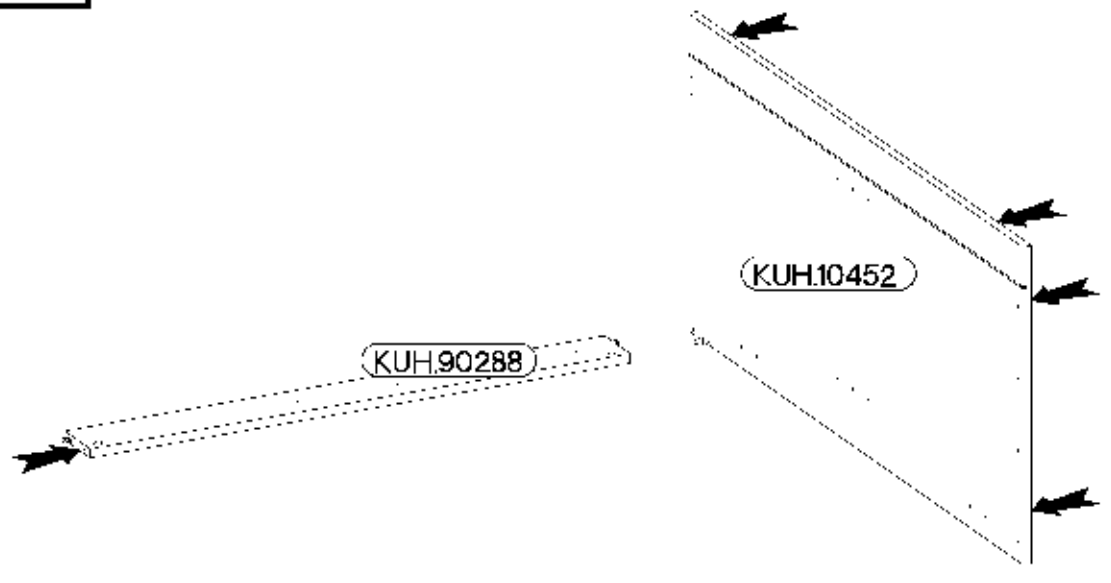
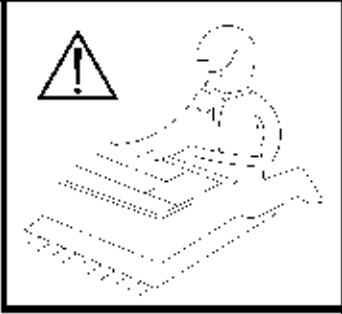
Ø8x30mm	Ø15/12mm	L=20mm
		
A	C	D2
4	2	4



- Ø3.5x13mm P5 16
- L-135 170cm F15 4
- Ø8x30mm A 4

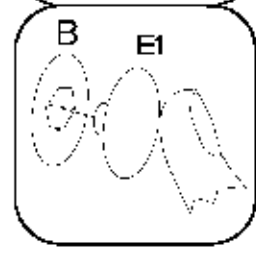
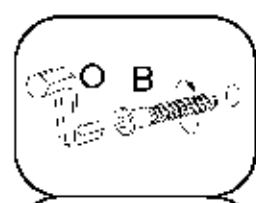
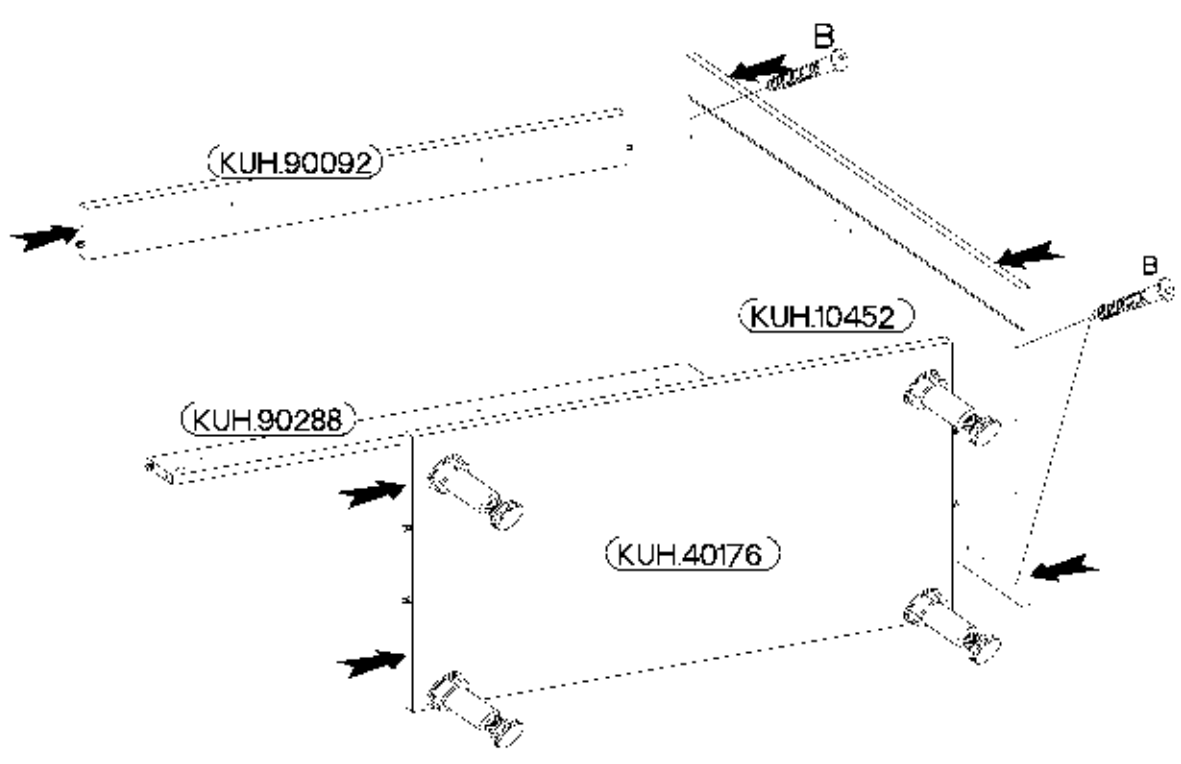
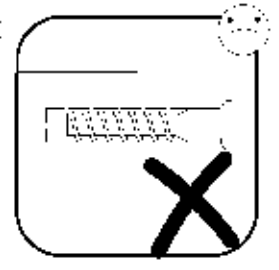
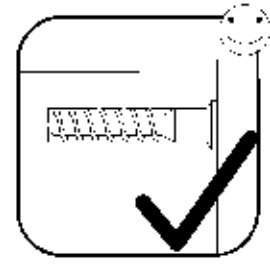
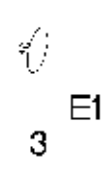


17



18

6.4 x 50mm



19

6,4 x 50mm



B

3



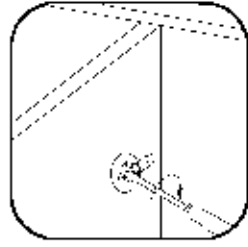
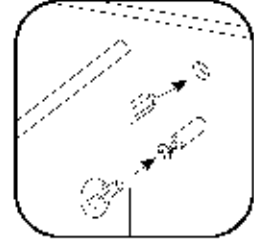
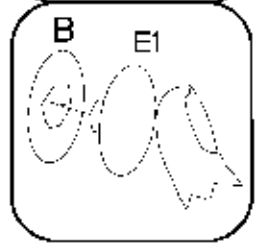
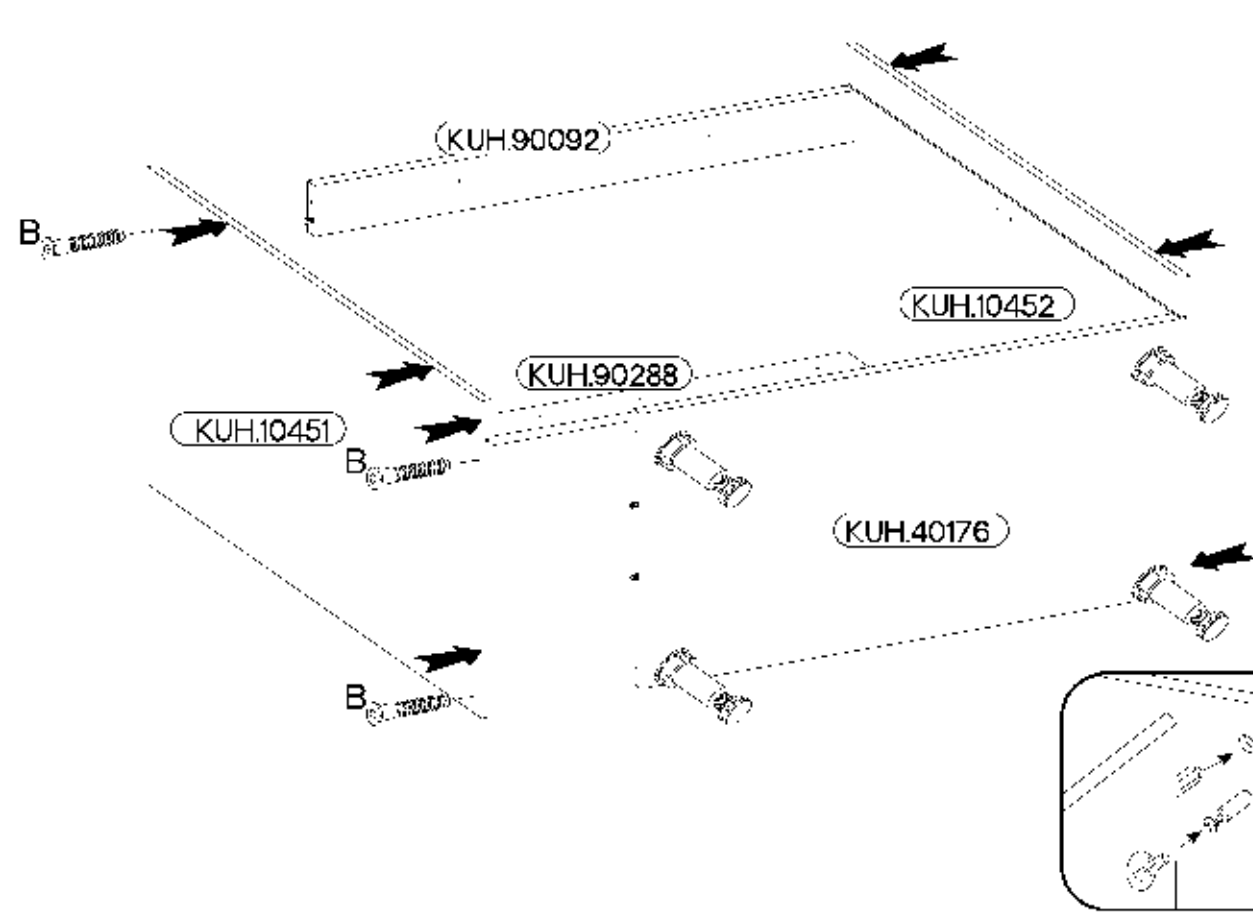
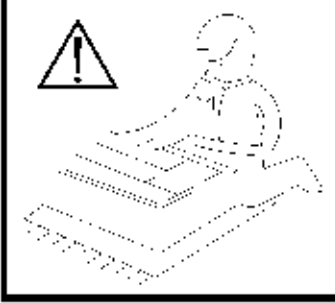
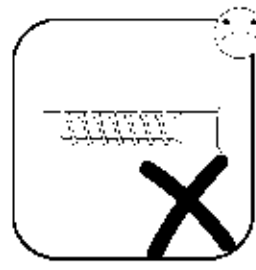
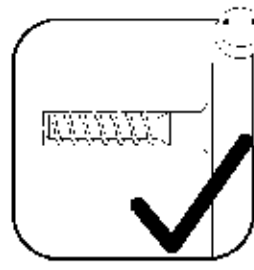
O

1



E1

3



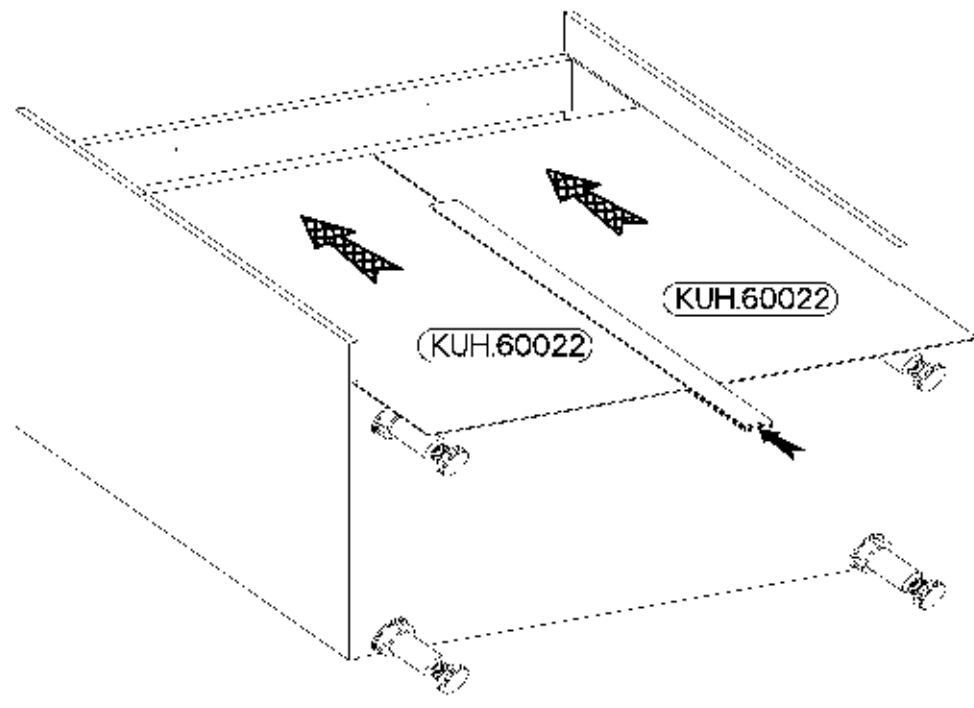
20

L=680mm

1

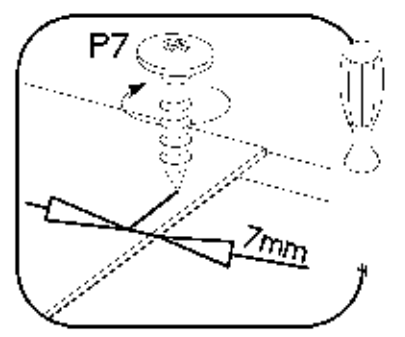
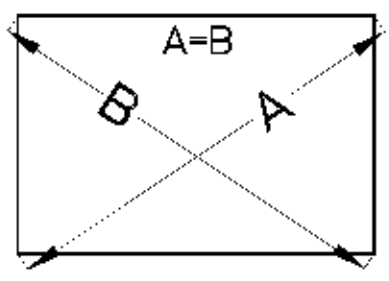
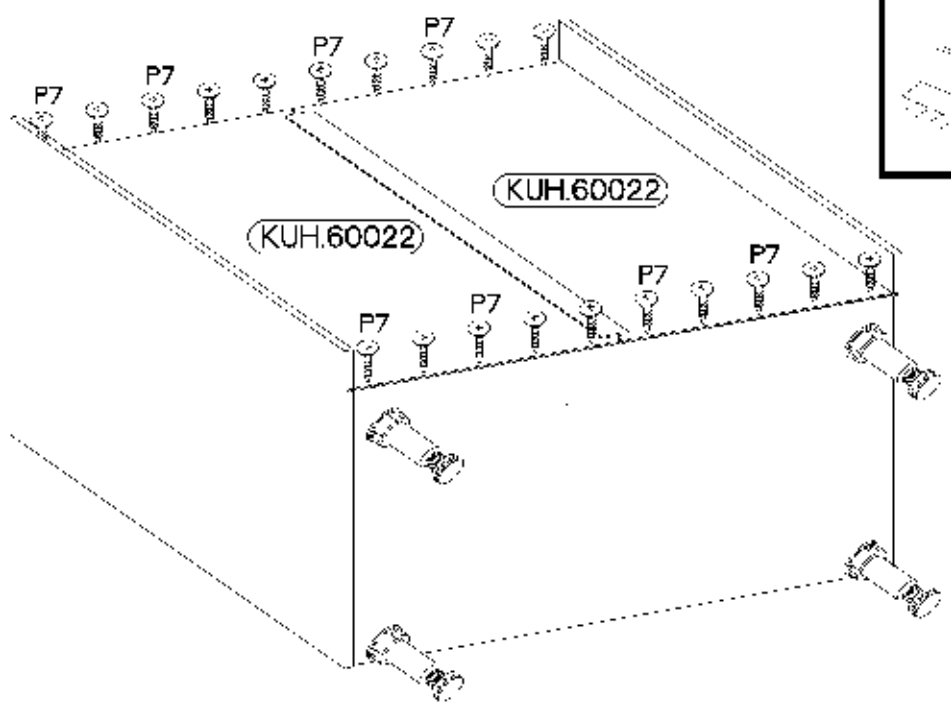
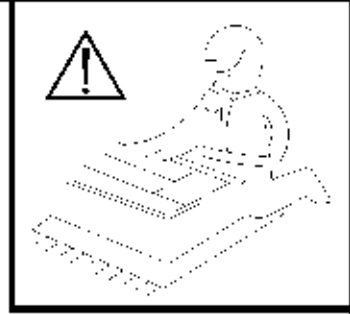
L1

1



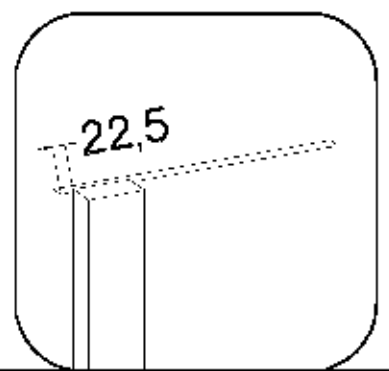
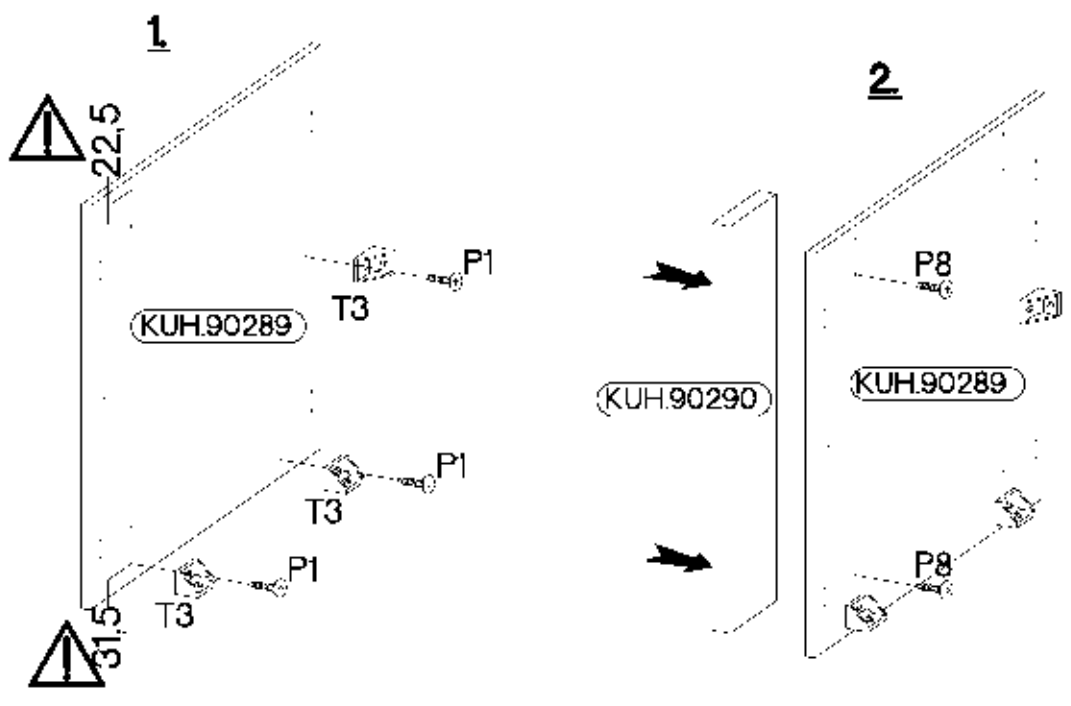
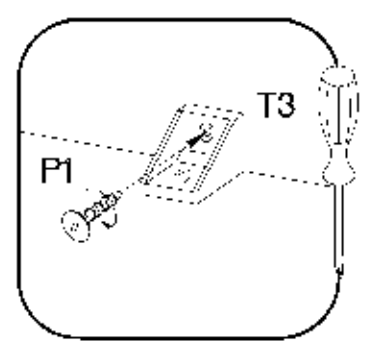
2

+3.0x20mm
P7
15-20



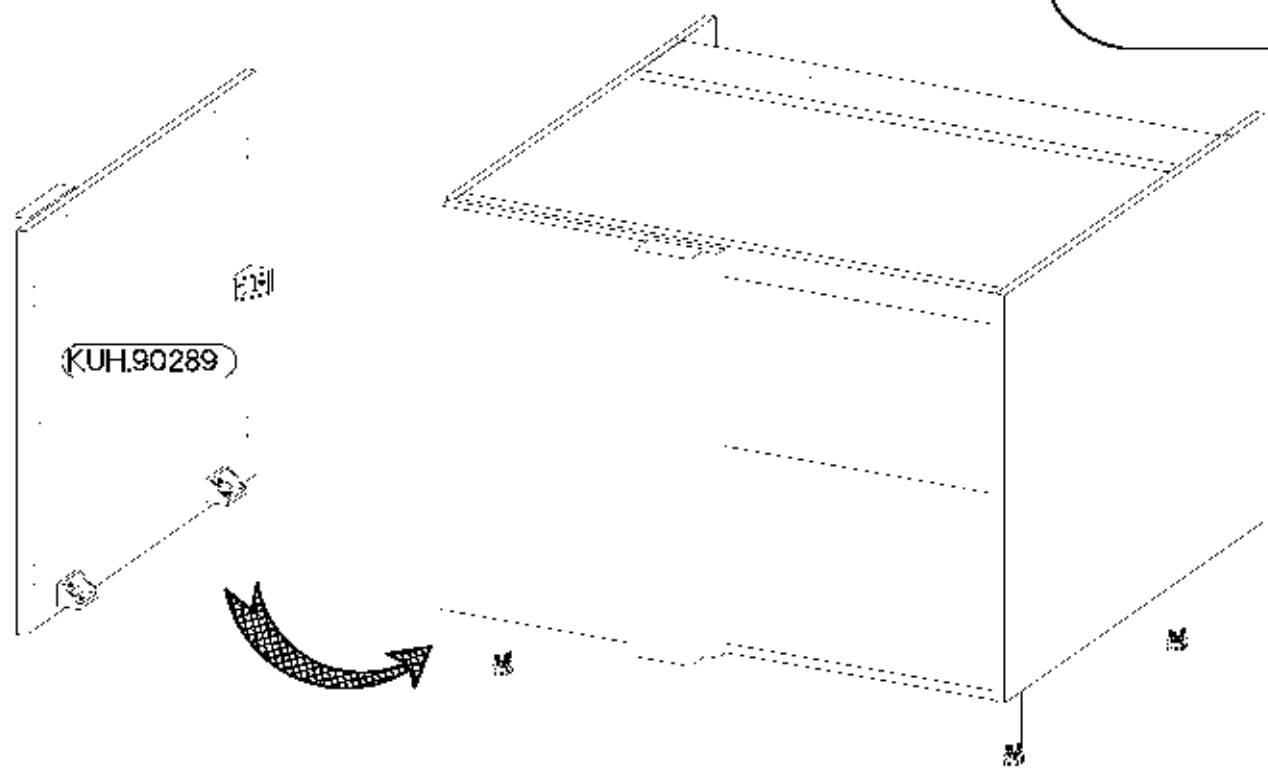
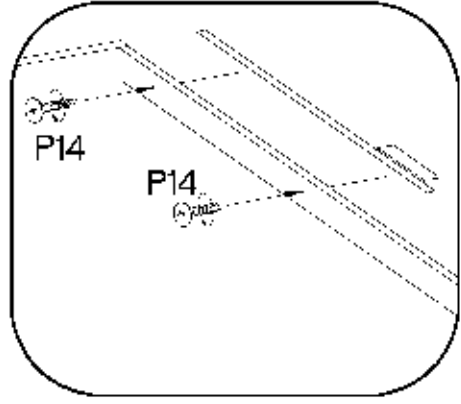
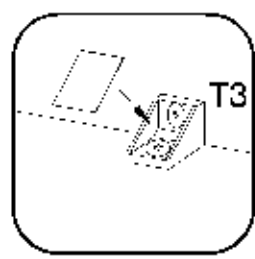
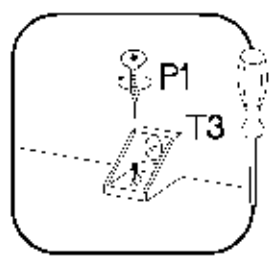
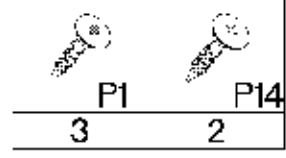
2

+4.0x16mm +4.0x30mm
T3 3 P1 3 P8 2



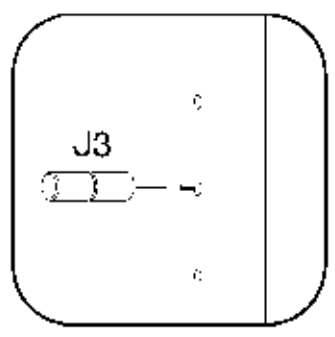
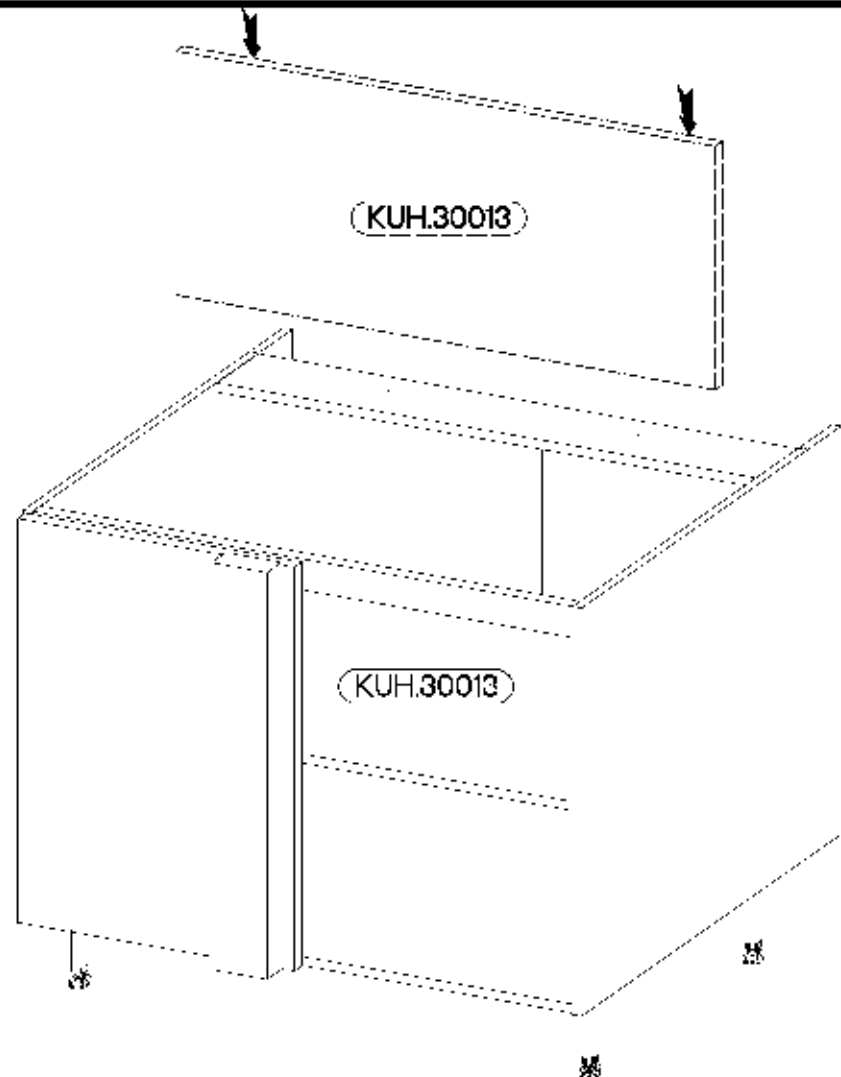
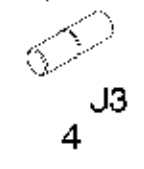
23

±4.0x16mm ±4.0x25mm



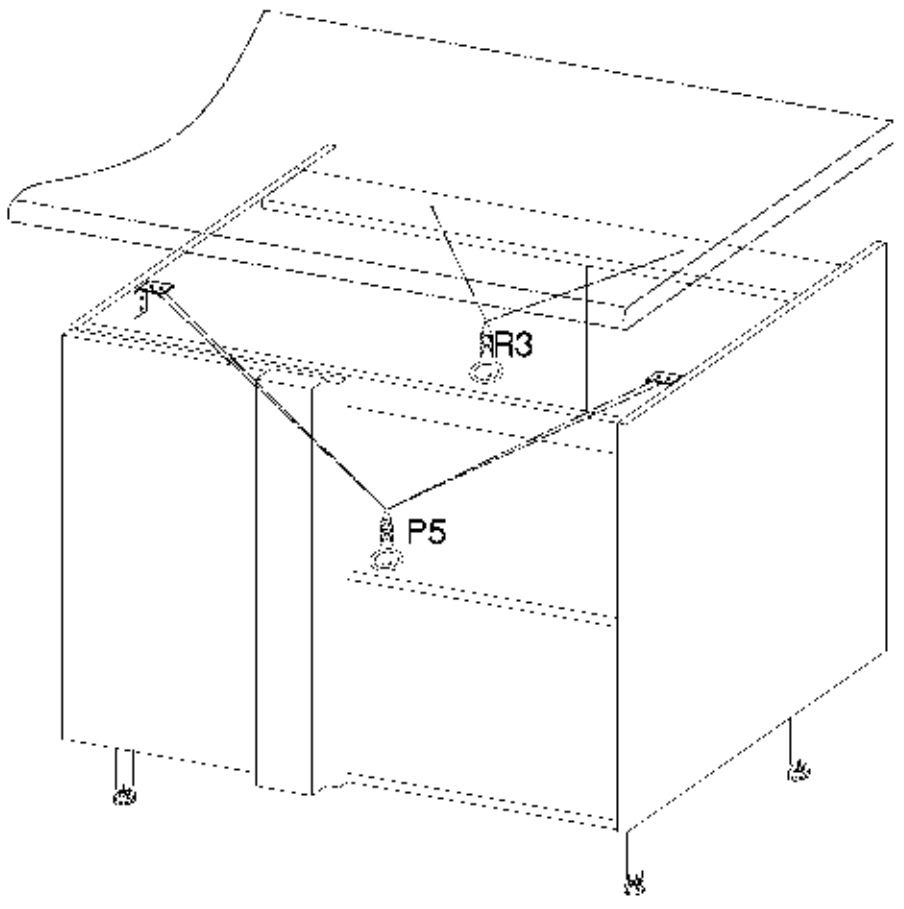
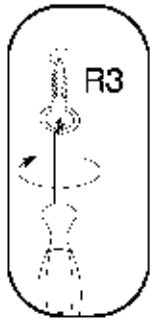
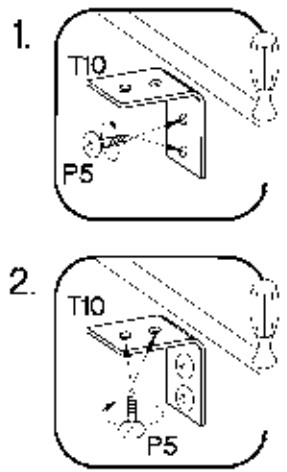
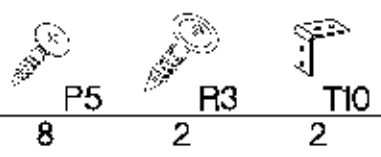
24

±5/16mm

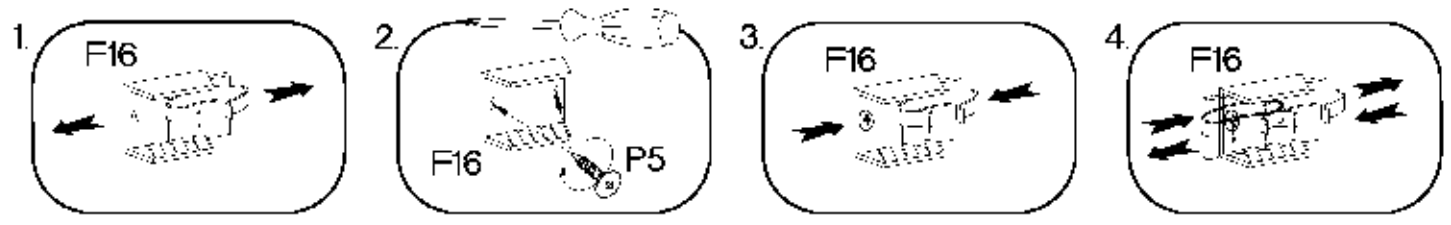
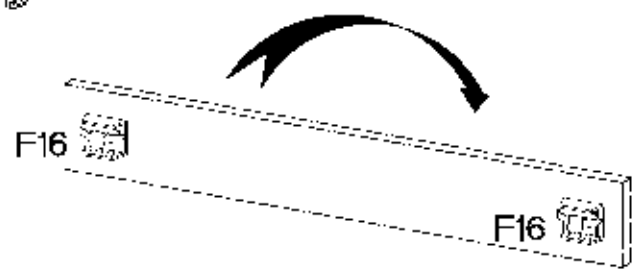
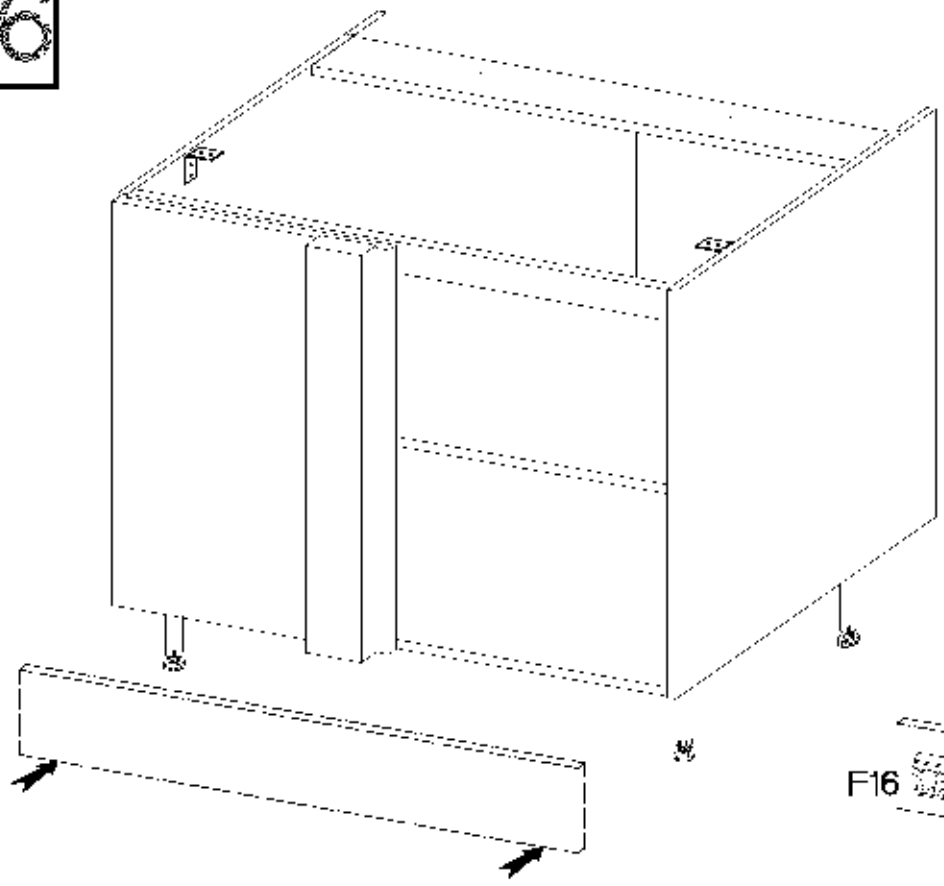
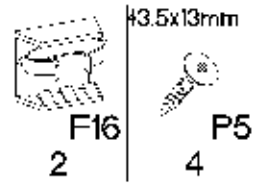


25




43.5x13mm 44.0x35mm

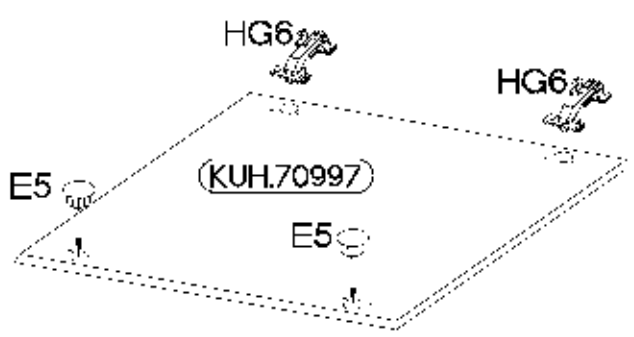
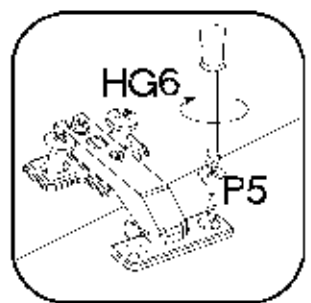


26

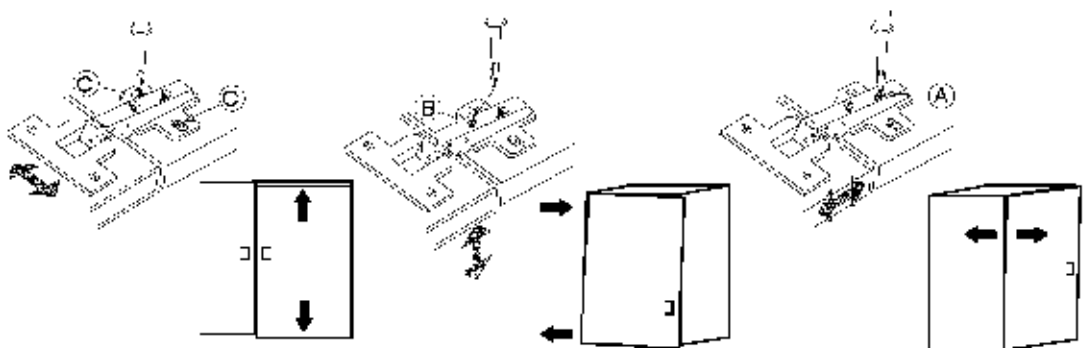
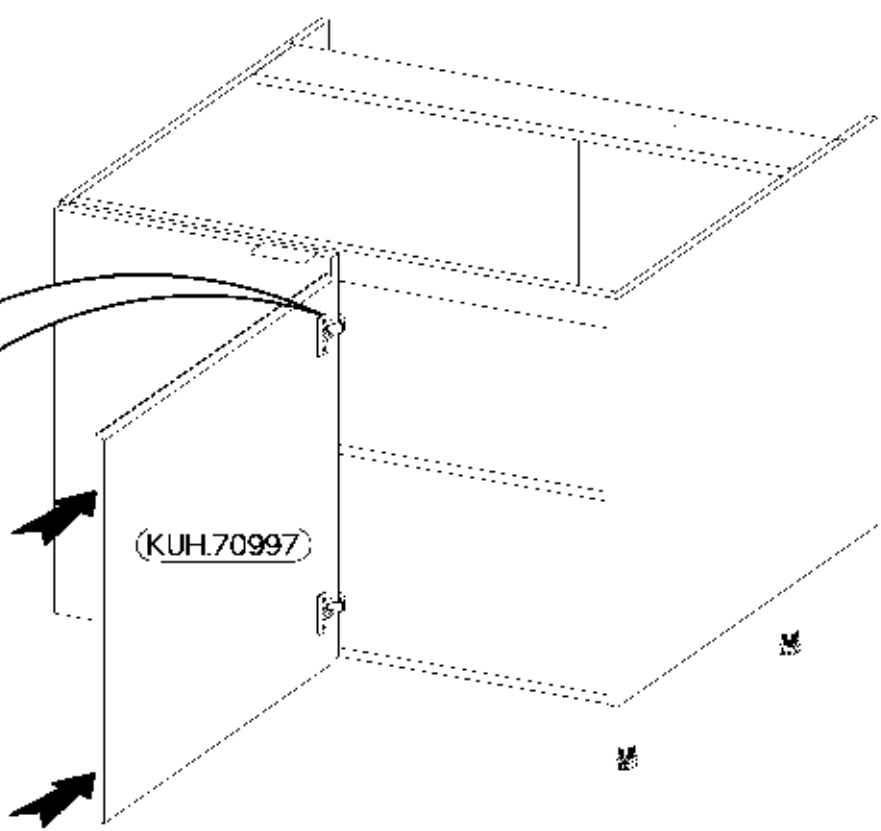
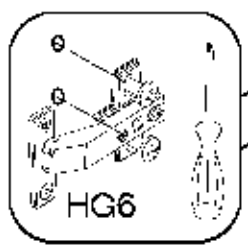


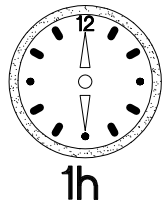
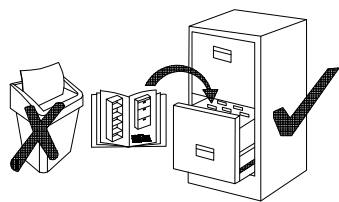
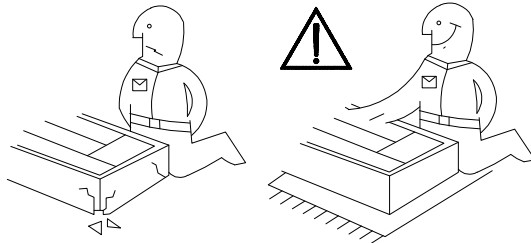
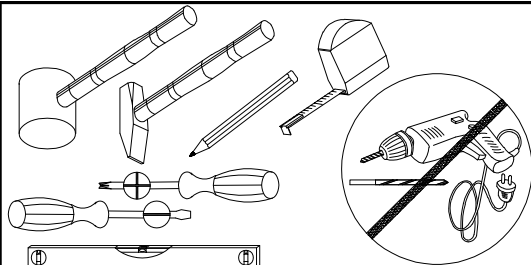
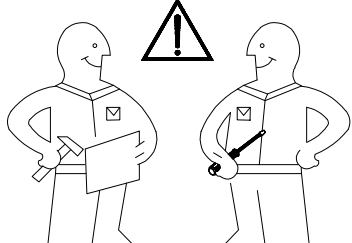
27

 $\pm 35/90^\circ$ HG6	 $\pm 3.5 \times 13 \text{mm}$ P5	 $\pm 35 \text{mm}$ E5
2	4	2

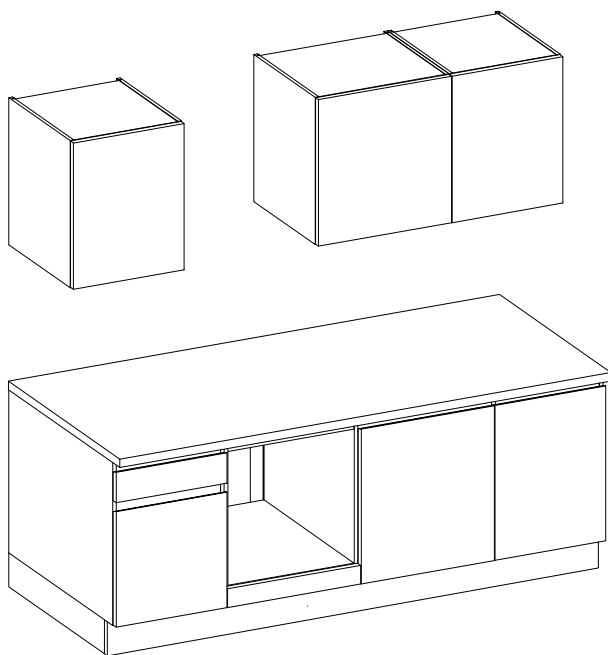
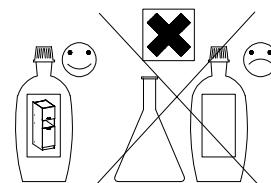


28

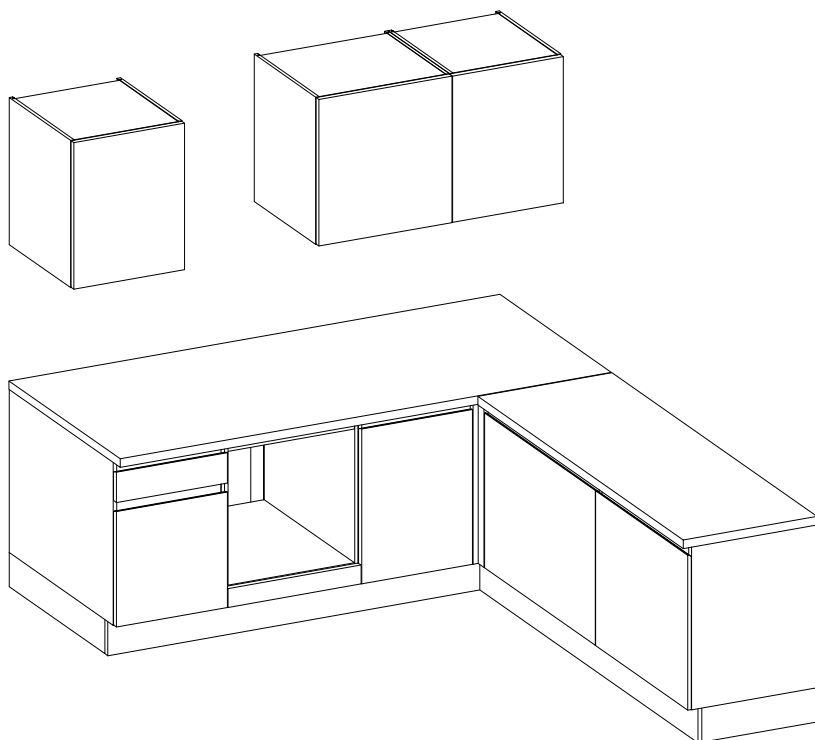




84-200-...
ADANA
Zeile 200
APL

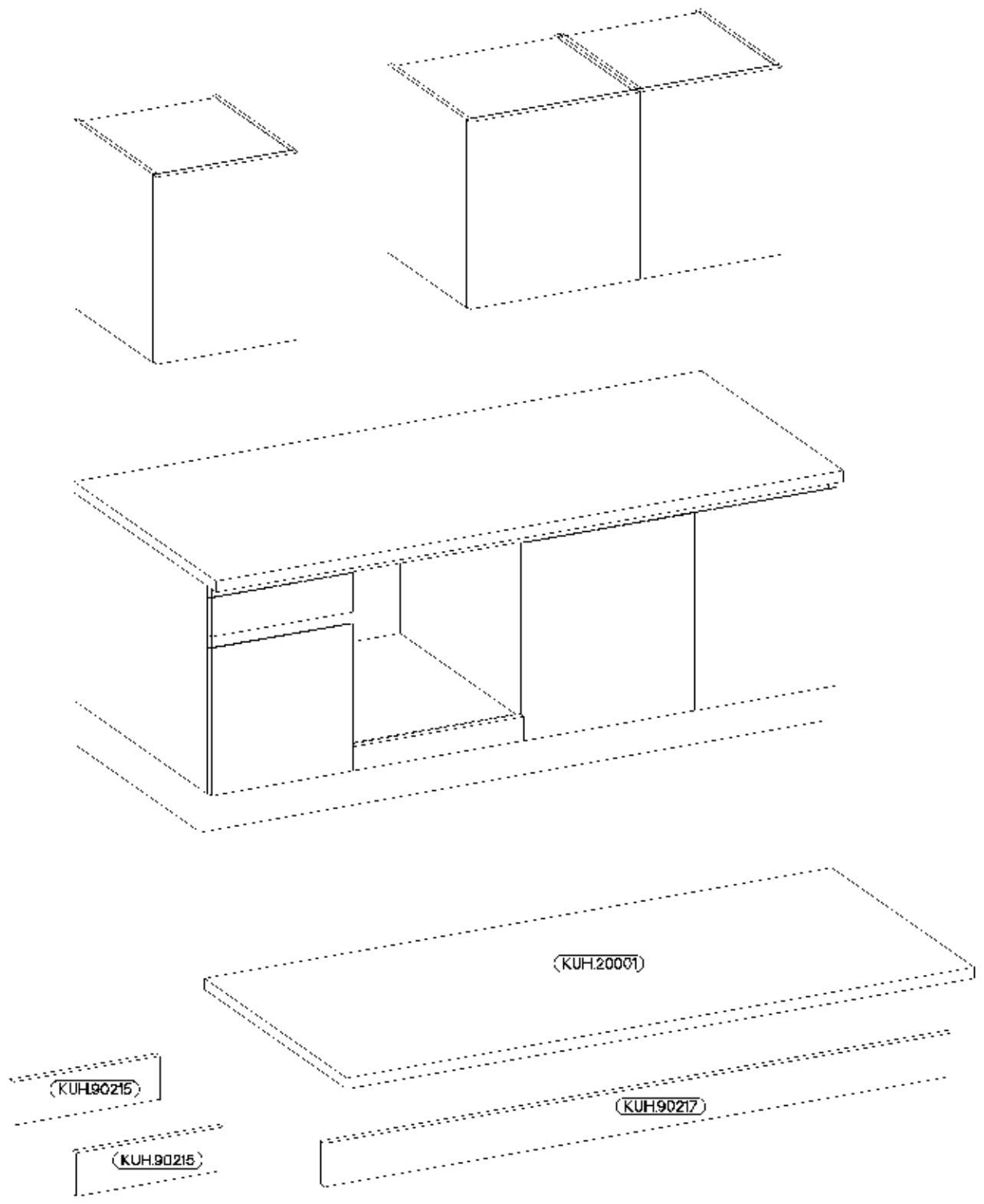


VARIANT 1



VARIANT 2

VARIANT 1



Colli	Spare Part	Dimension
Colli 6/6	KUH.20001	2200x600x38
	KUH.90215 x2	515x150x16
	KUH.90217	2199x150x16

1

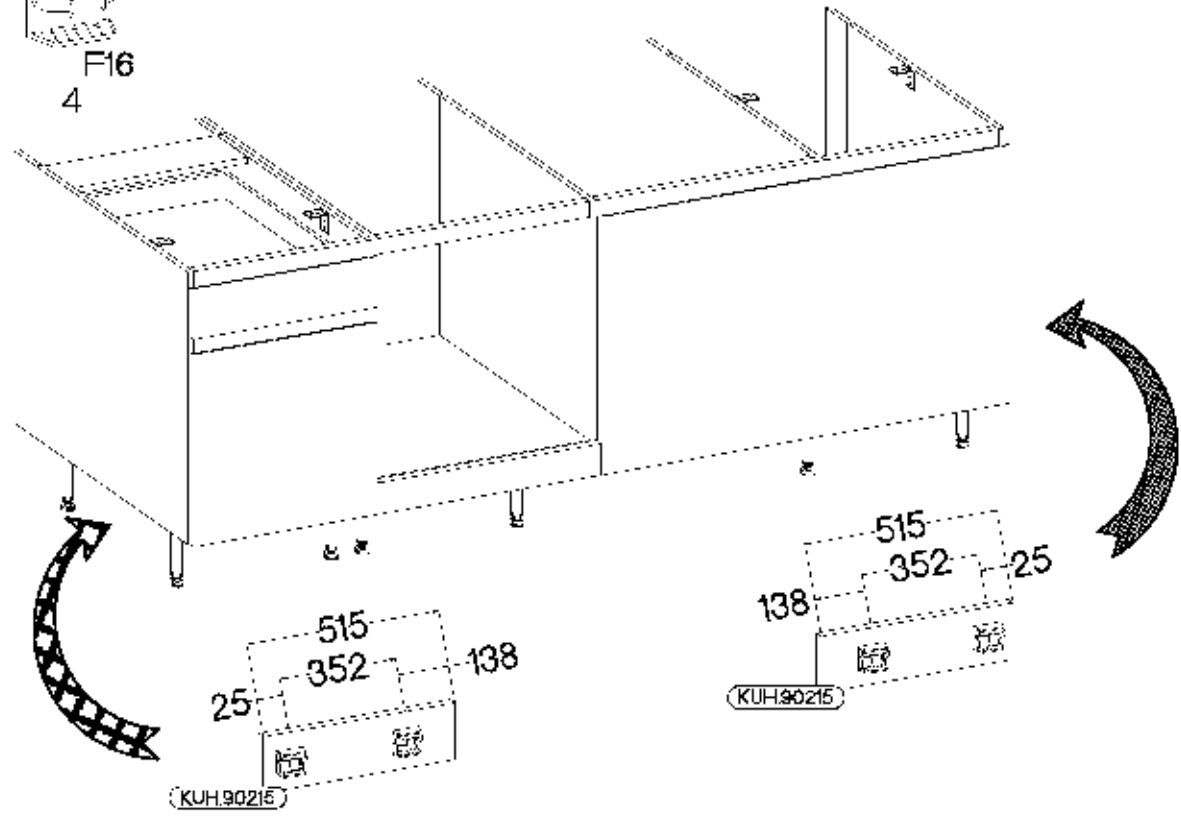
43.5x13mm



P5
8

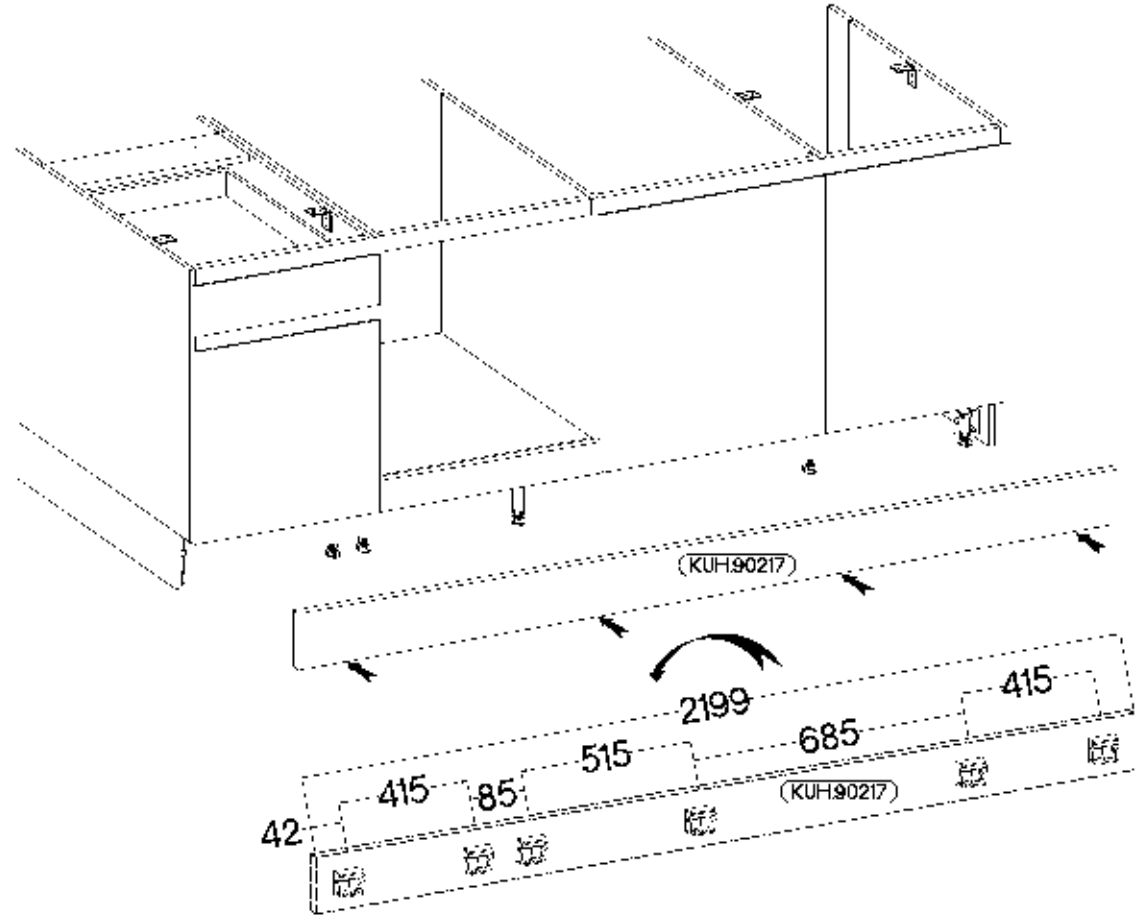


F16
4



2

1. F16
2. F16 P5
3. F16
4. F16



43.5x13mm



P5

12



F16

6

3

~4.0x35mm +3.5x13mm



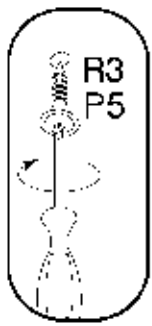
R3

2

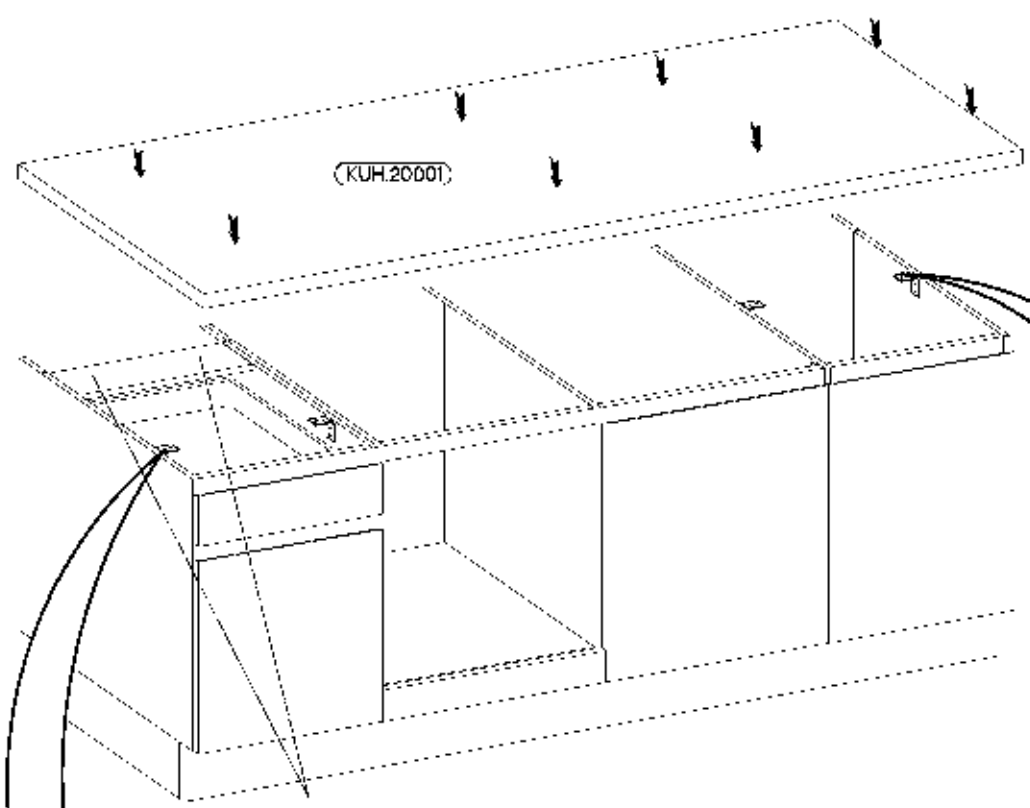


P5

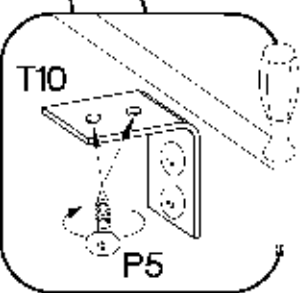
8



R3
P5

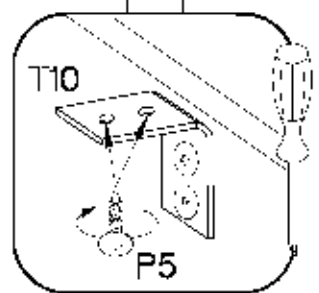


R3



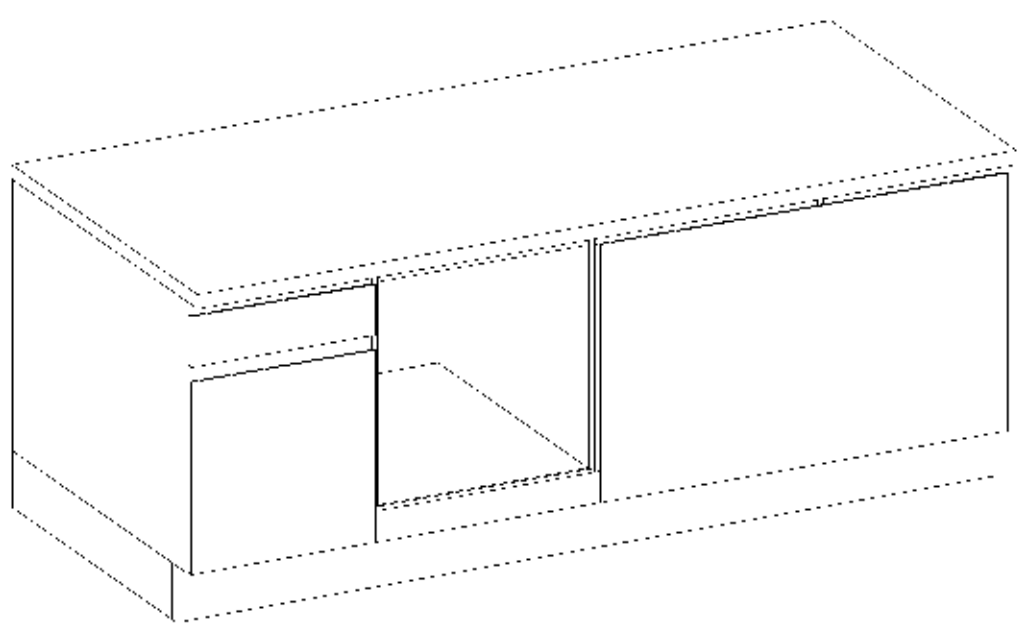
T10

P5

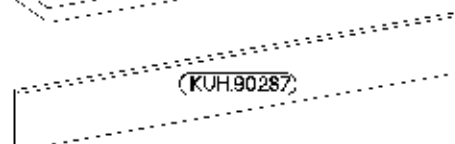
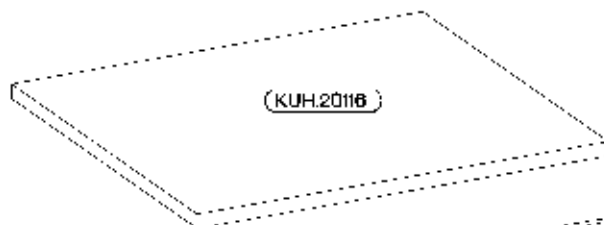
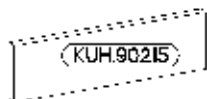
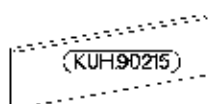
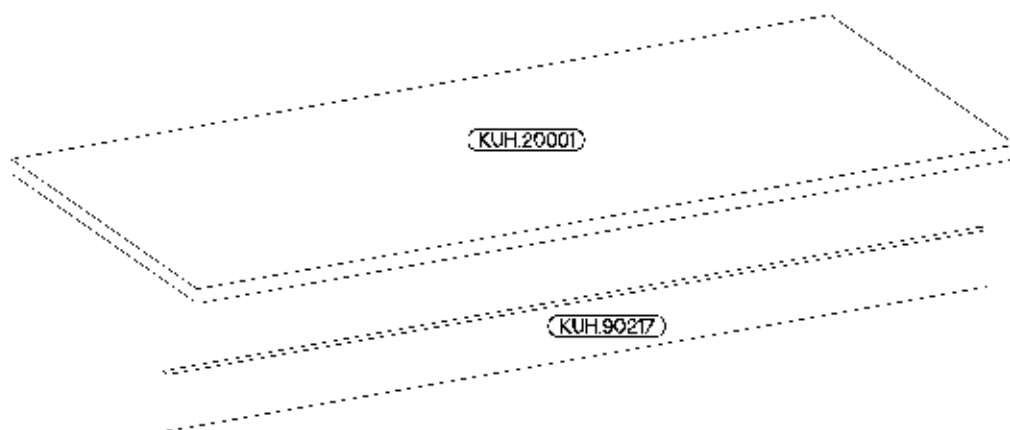
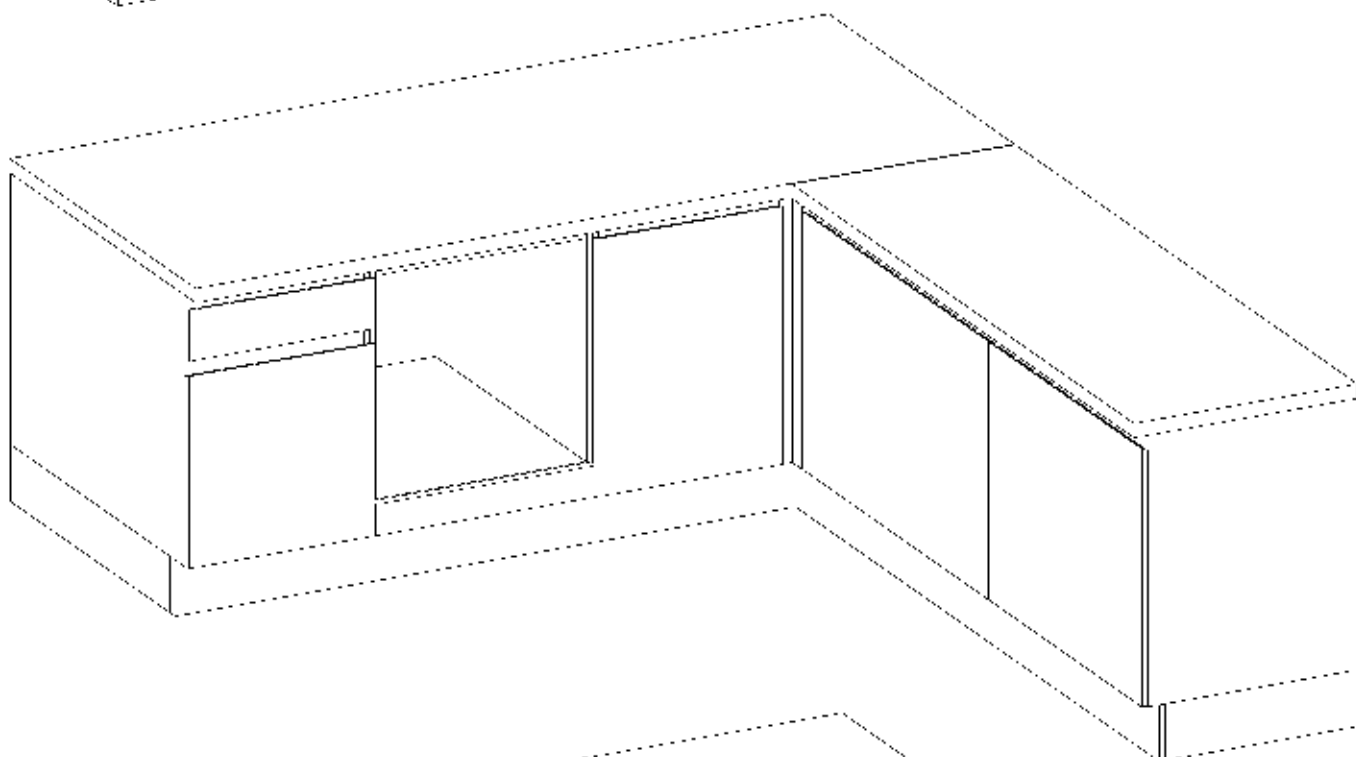
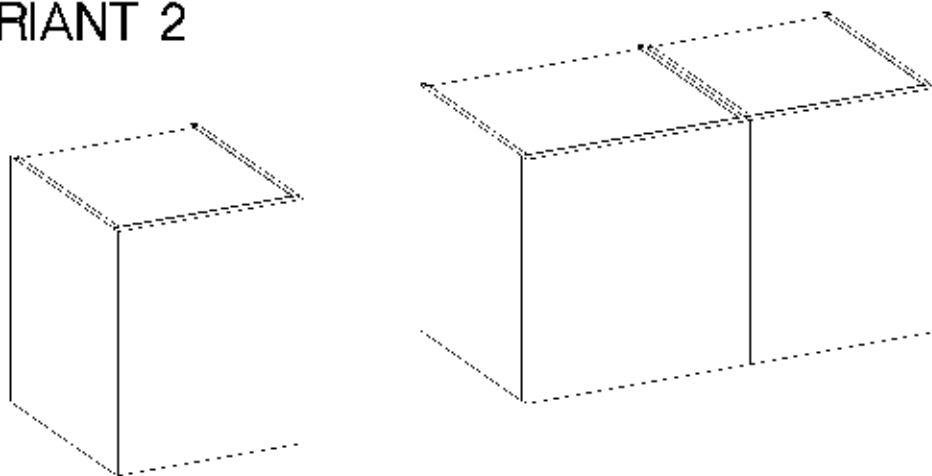


T10

P5

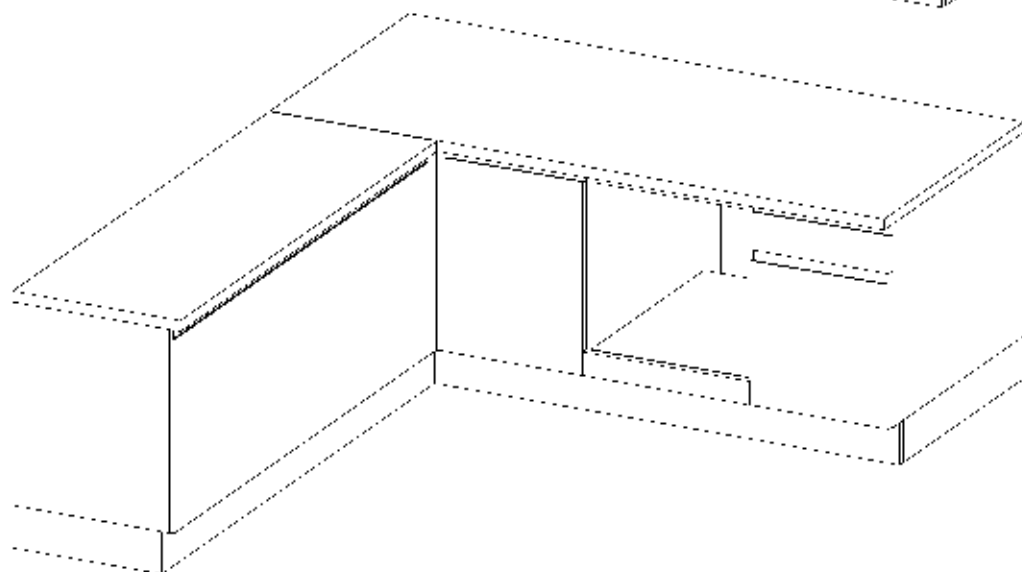
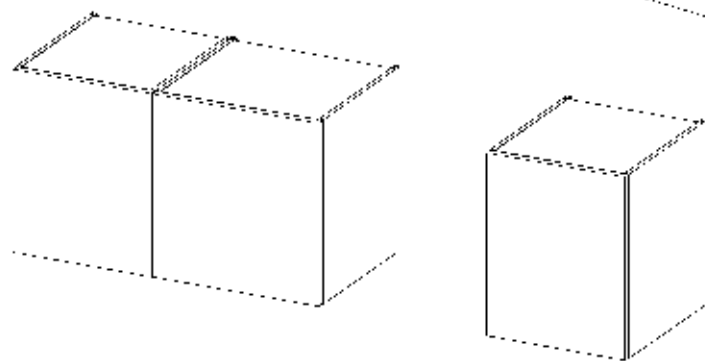
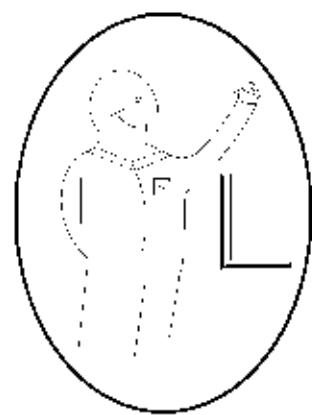
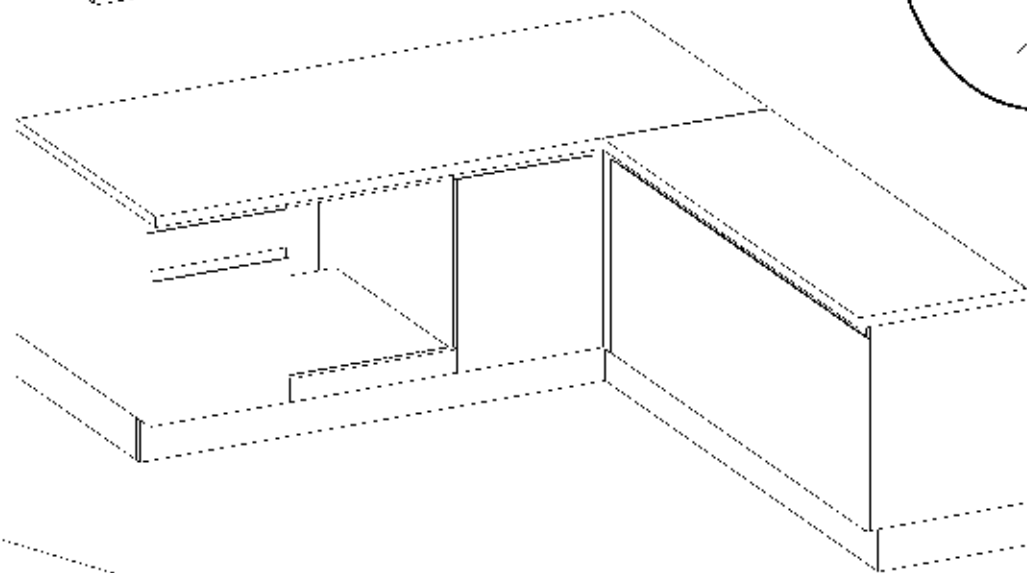
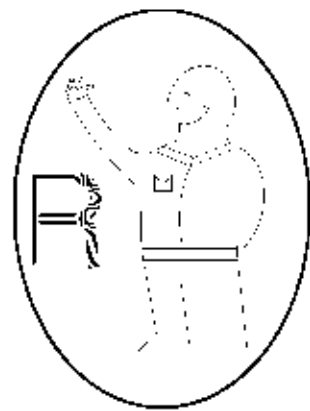
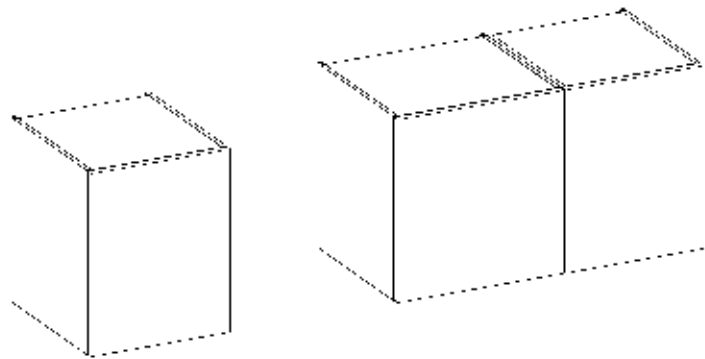


VARIANT 2



Colli	Spare Part	Dimension
Colli 2/2	KUH.20116	1105x600x38
	KUH.90287	1176x150x16

Colli	Spare Part	Dimension
Colli 6/6	KUH.20001	2200x600x38
	KUH.90215 x2	515x150x16
	KUH.90217	2199x150x16



4

3.5x13mm



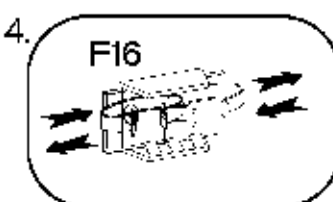
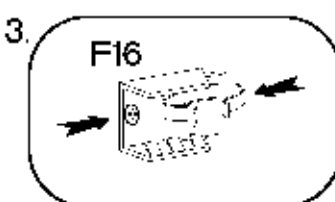
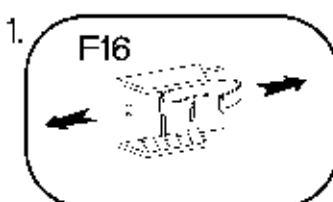
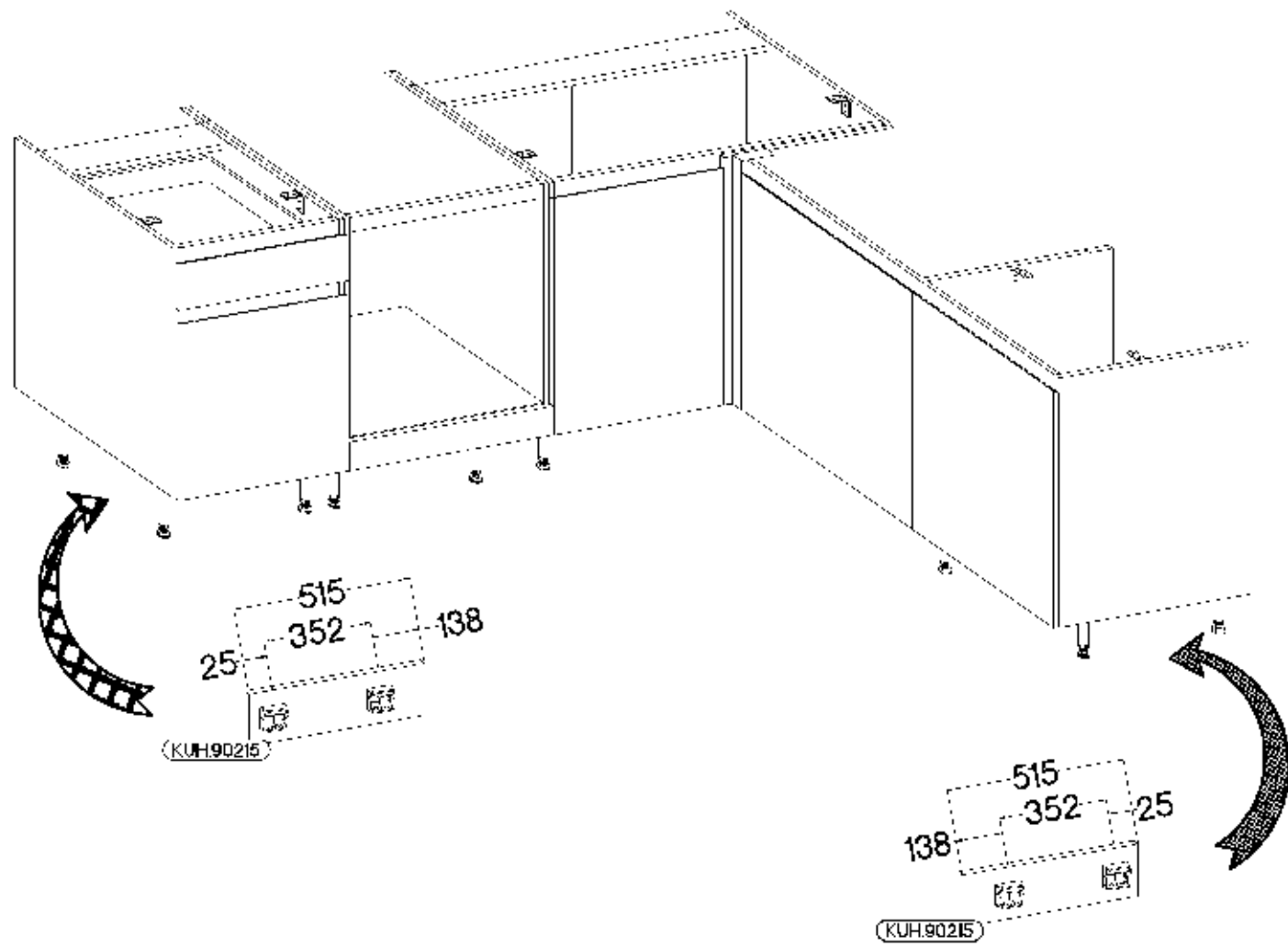
P5

8



F16

4



5

-3.5x13mm



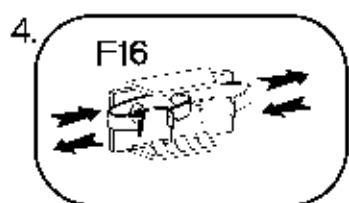
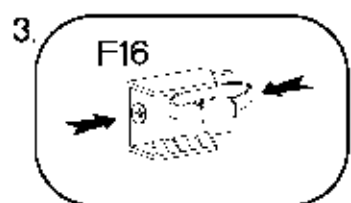
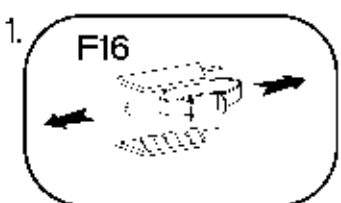
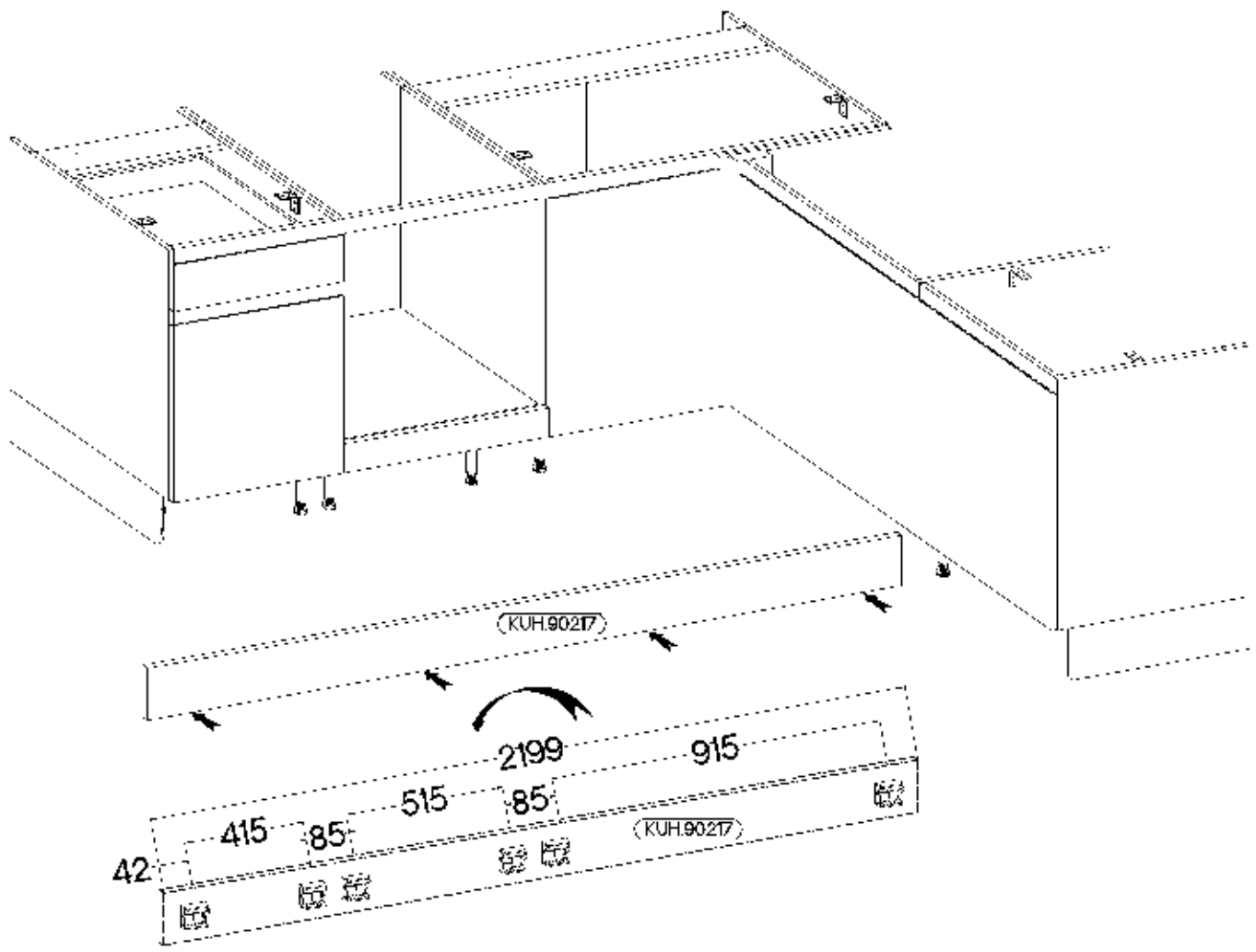
P5

12



F16

6



6

-3.5x13mm



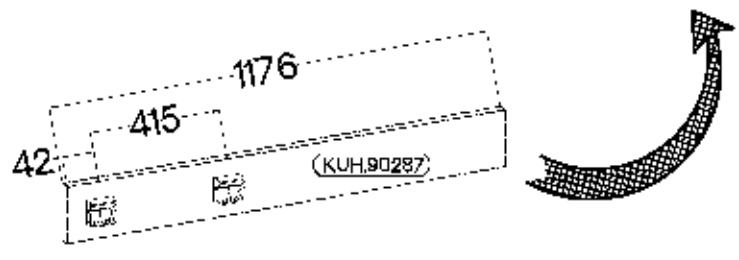
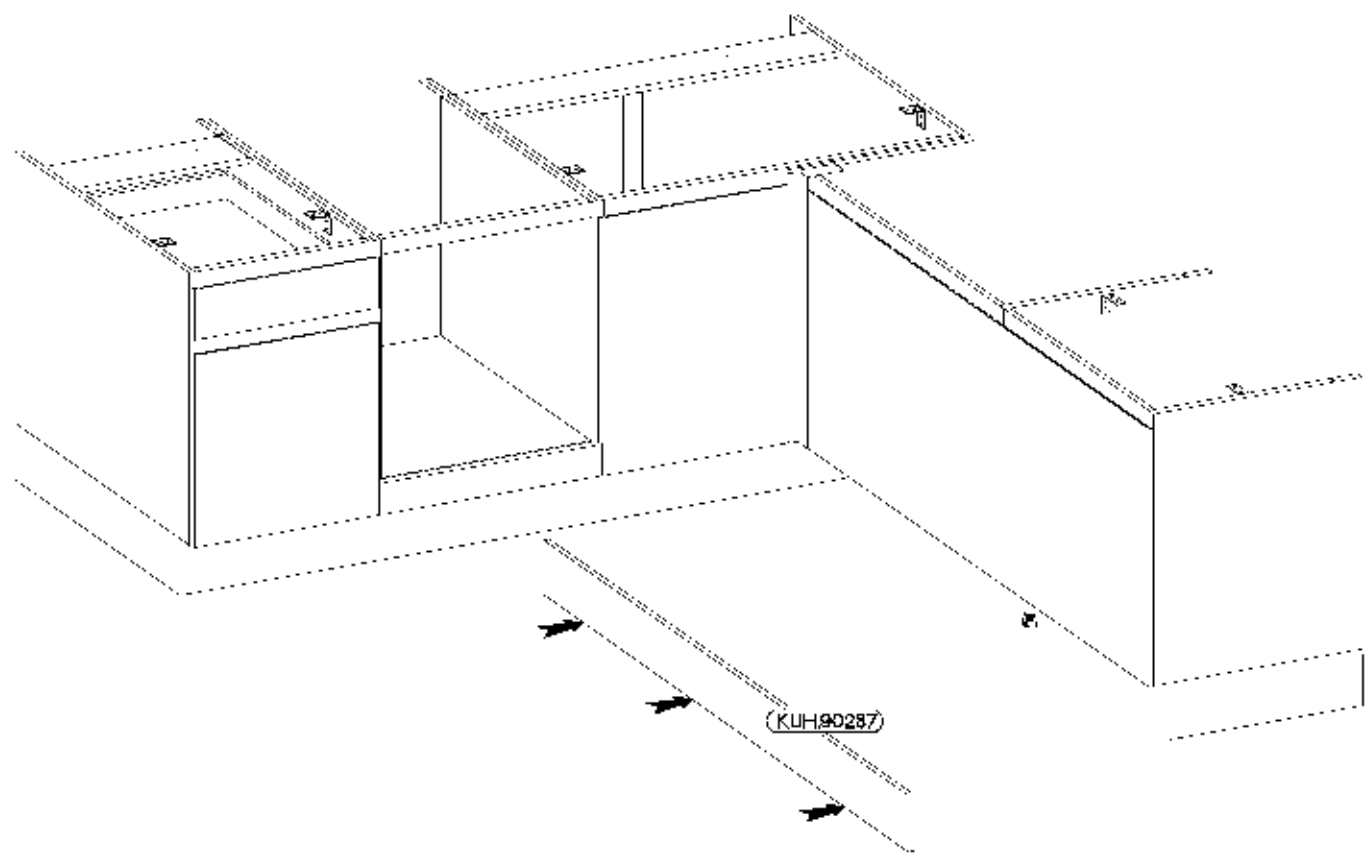
P5

4



F16

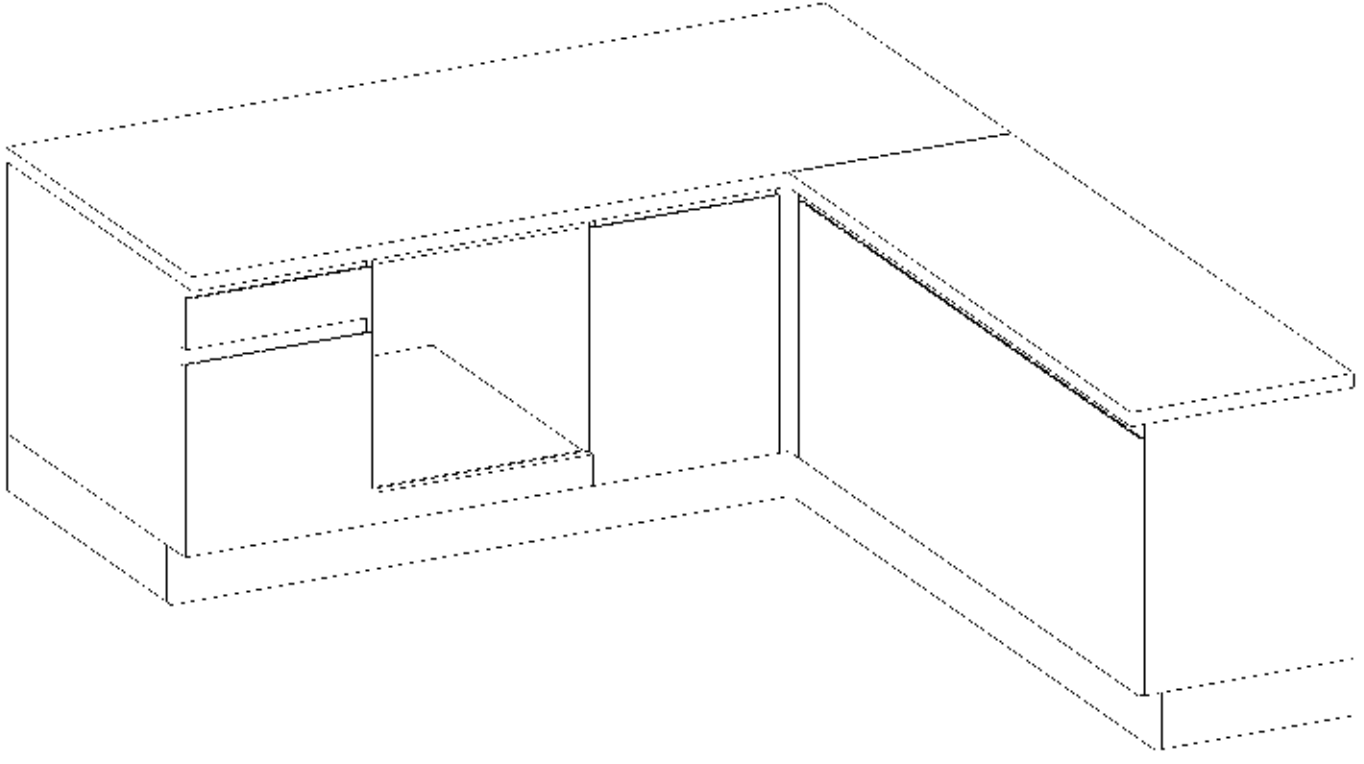
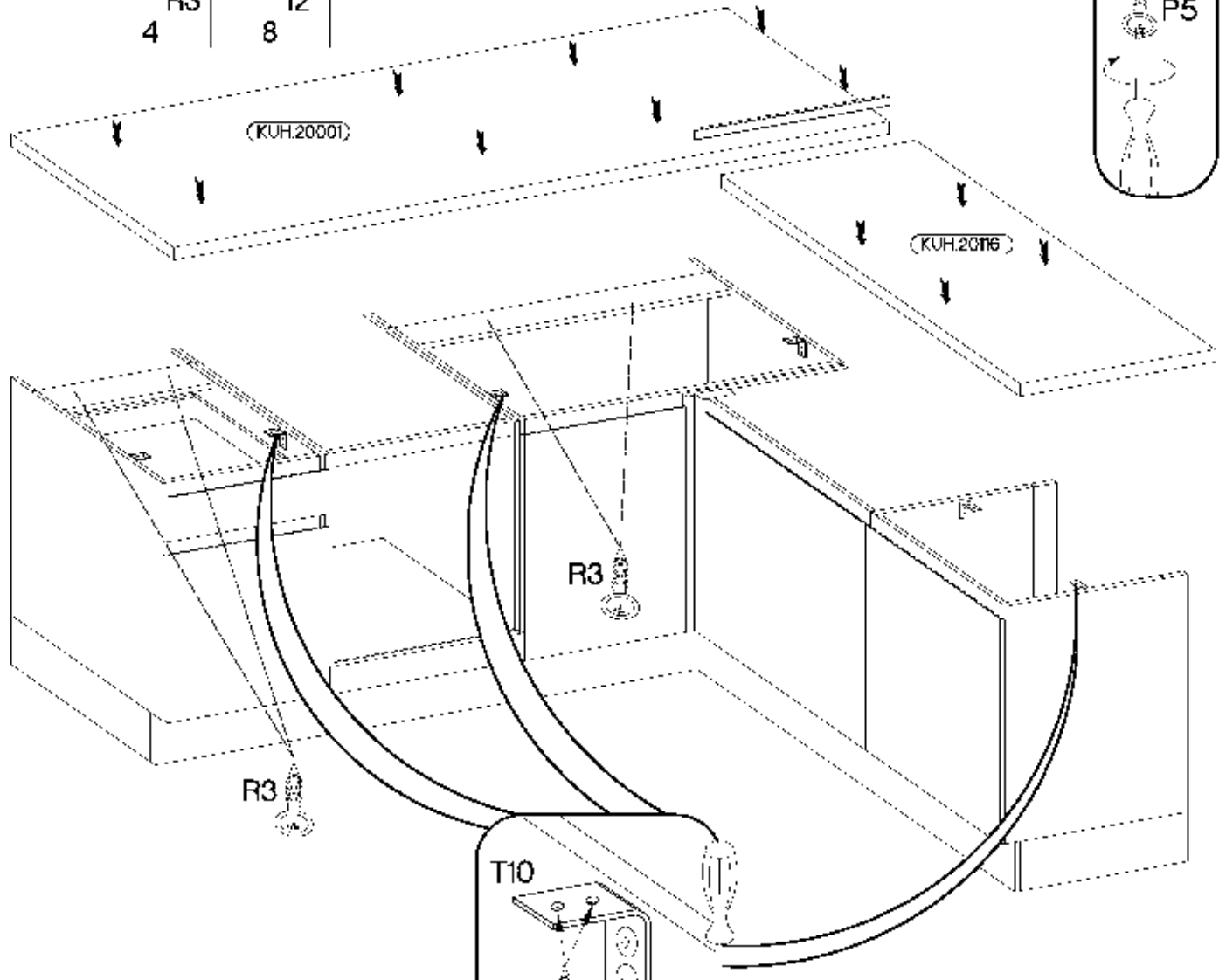
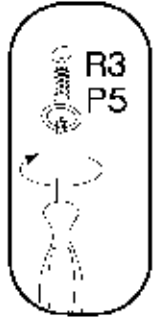
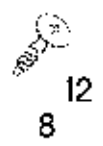
2



-
-
-
-

7

4.0x35mm 3.5x13mm

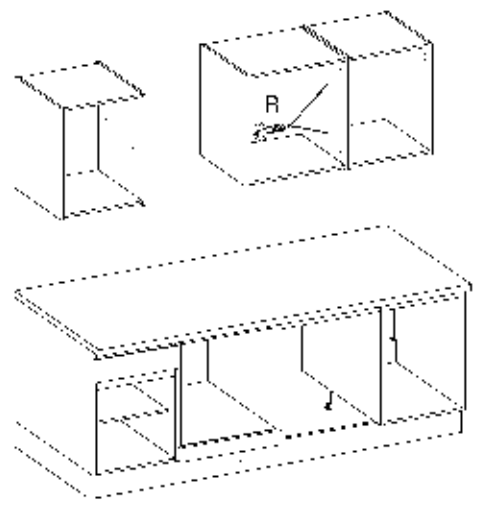


10

4.0x25mm



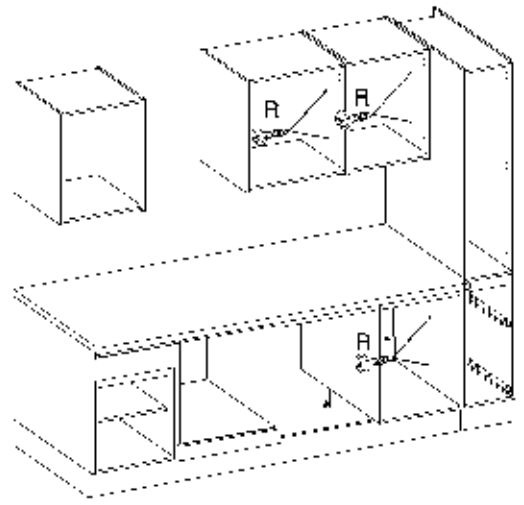
V 1



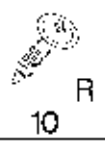
4.0x25mm



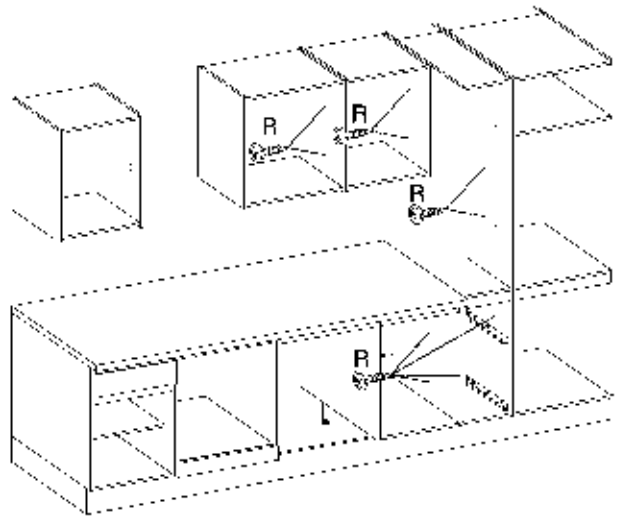
V 2

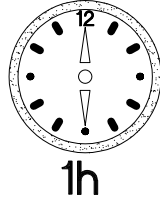
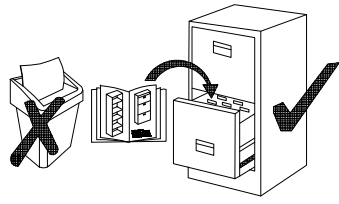
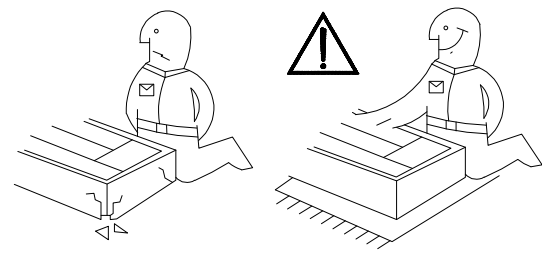
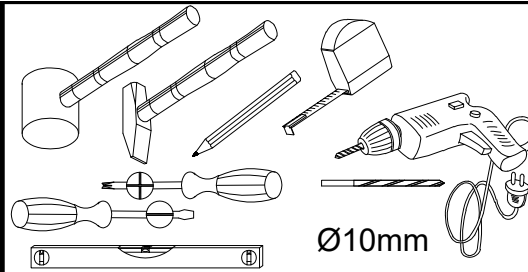
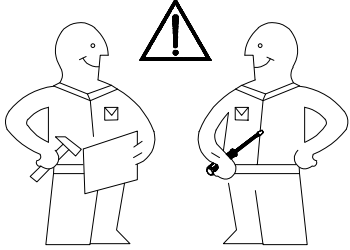


4.0x25mm

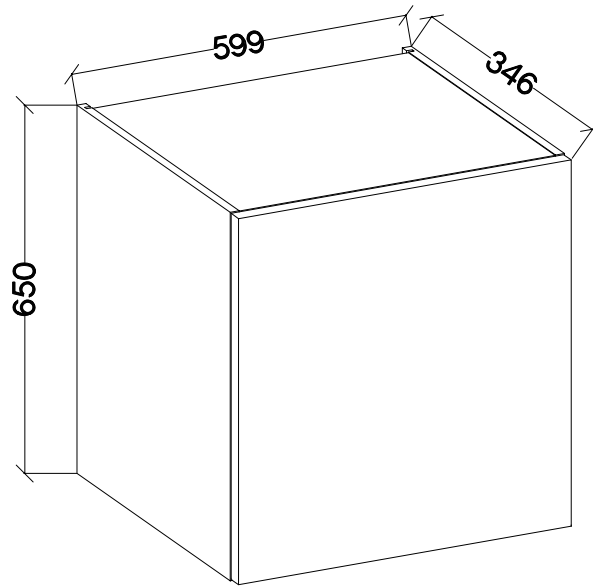


V 3



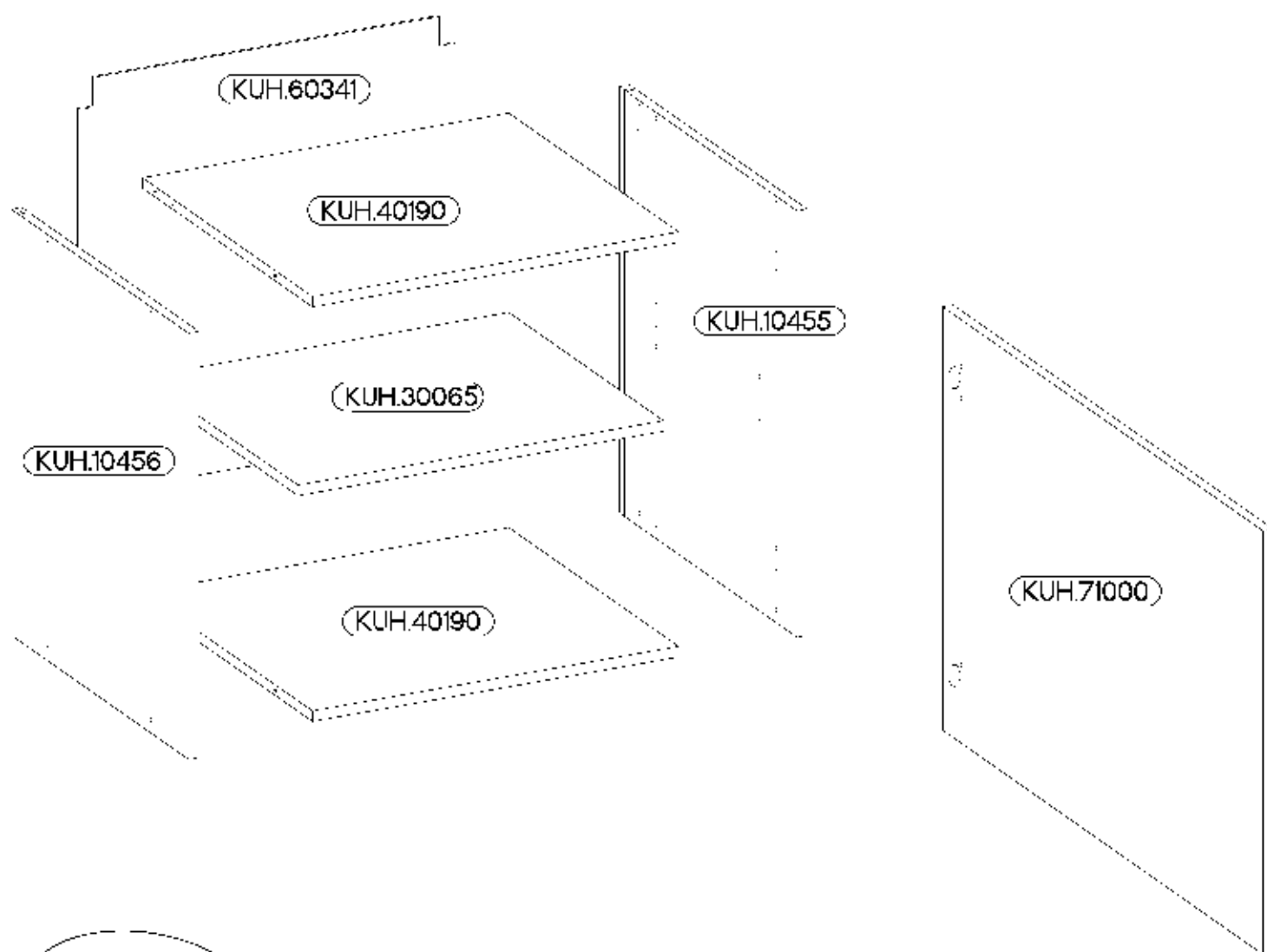


84-200-...
ADANA
Zeile 220
Hängeschränk 1T

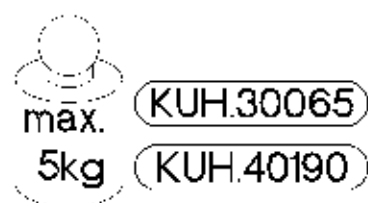


 A 8	 B 8	 E1 8	 HG 2	 J3 4			
 K 2	 K16 2	 O 1	 P5 4	 P7 10-15	 P8 4	 R 2	

ISM-KUH-01724



Colli	Spare Part	Dimension
Colli 5/6	KUH.10455	650x330x16
	KUH.10456	650x330x16
	KUH.30065	566x288x16
	KUH.40190 x2	567x316x16
	KUH.60341	635x585x2.5
	KUH.71000	646x596x16





+8x30mm +4.0x30mm



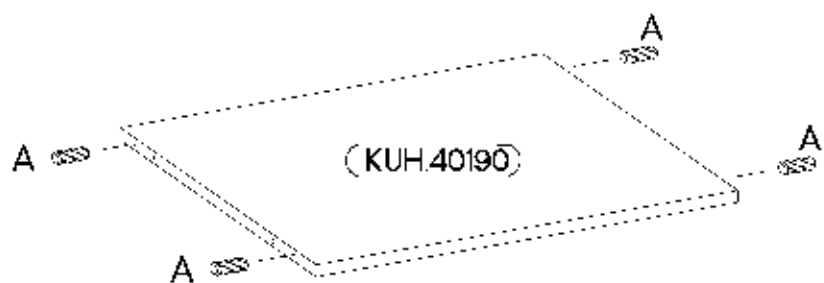
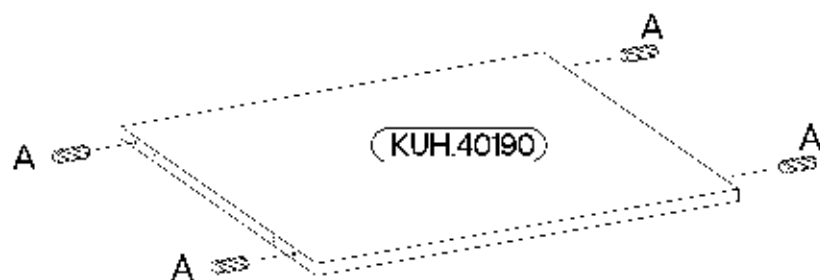
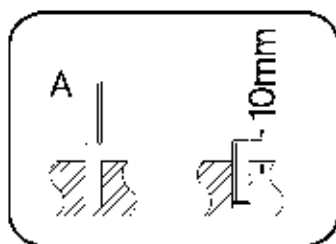
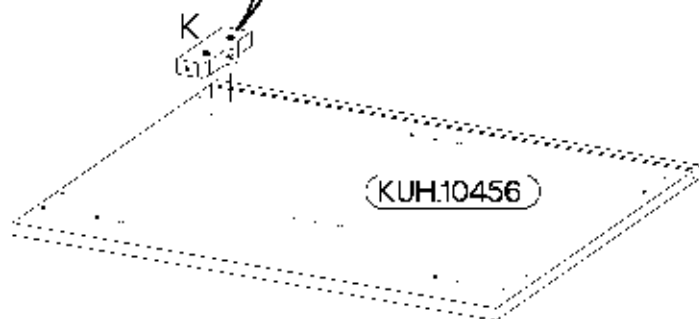
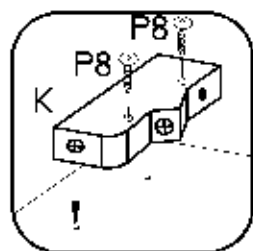
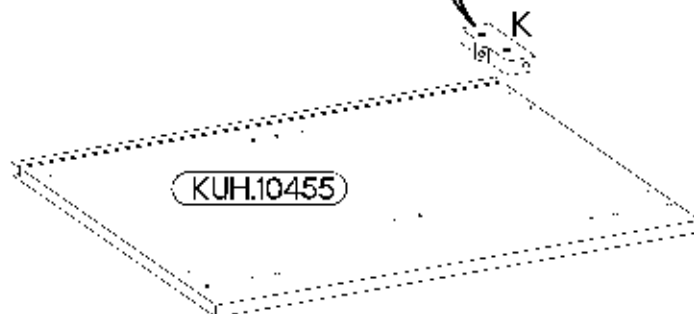
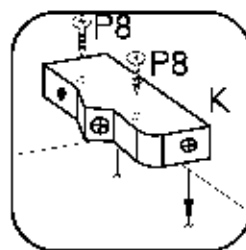
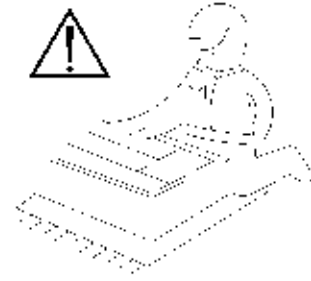
8 A



4 P8



2 K



2

6,4 x 50mm



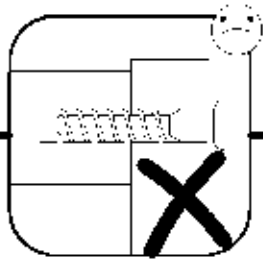
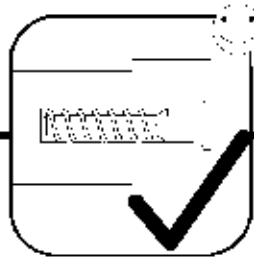
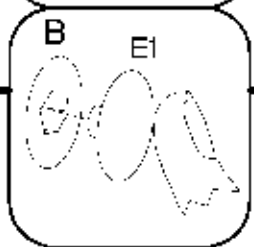
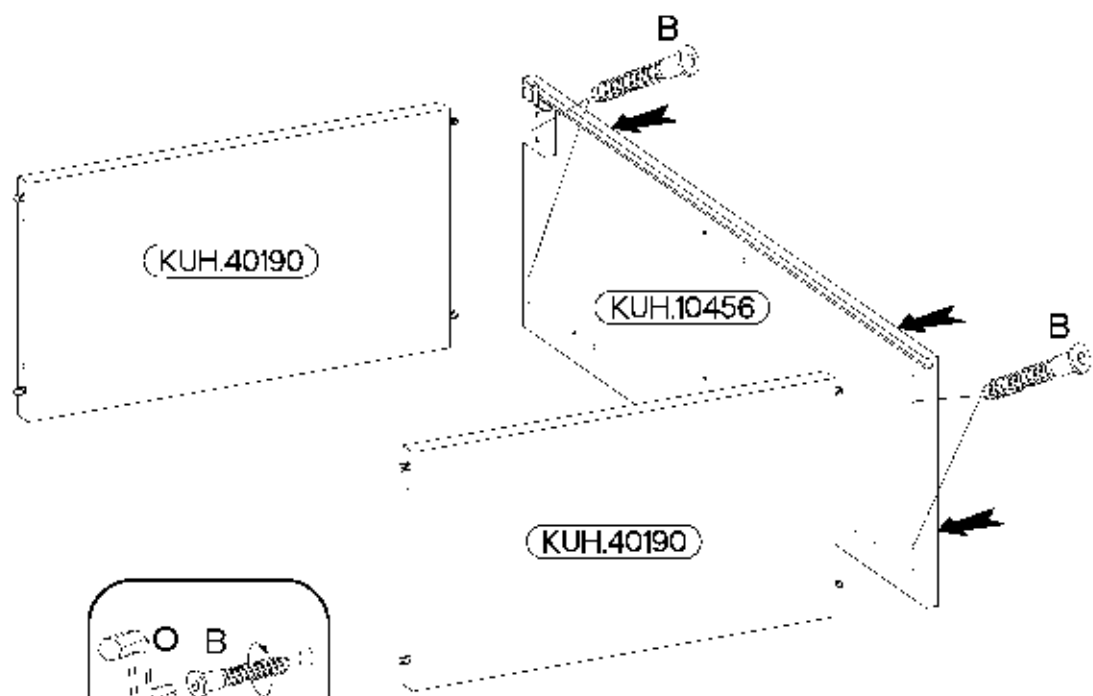
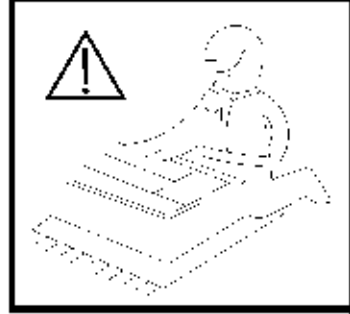
4 B



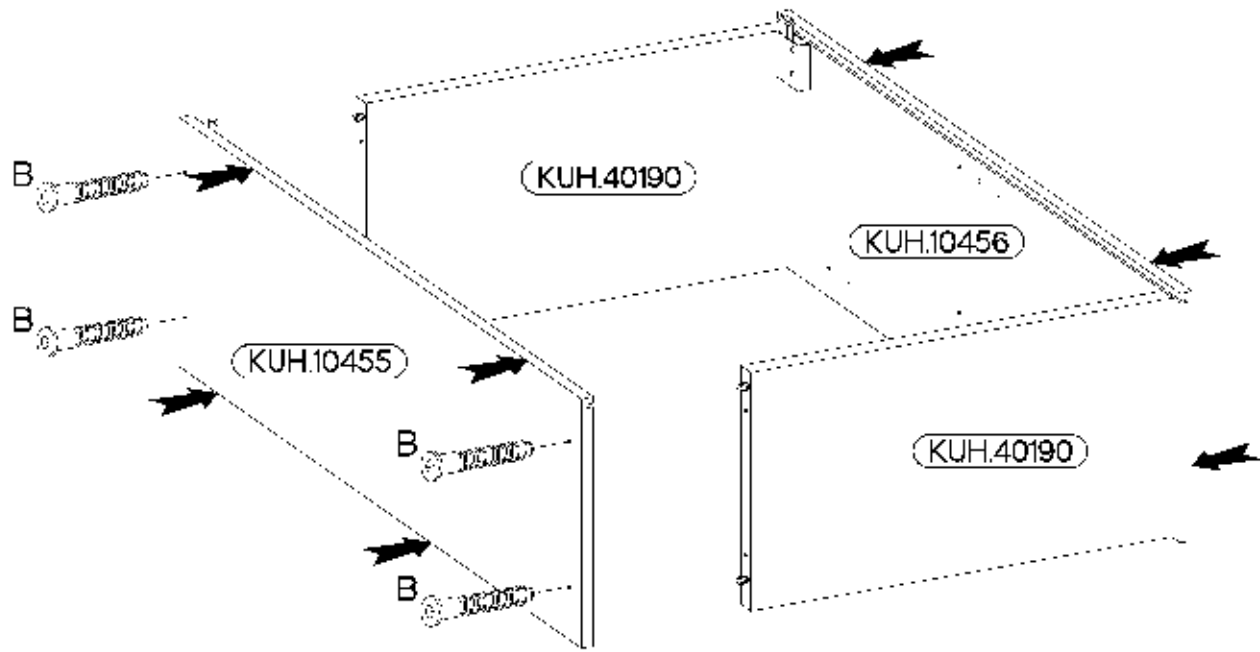
1 O



4 E1



3



6,4 x 50mm



4 B

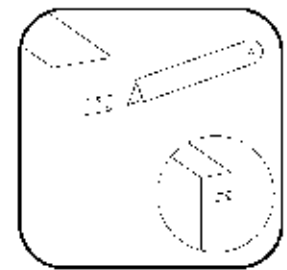
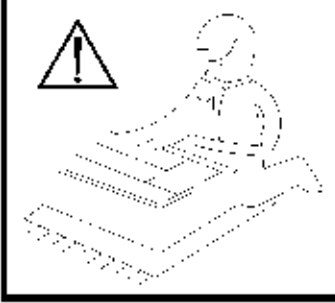
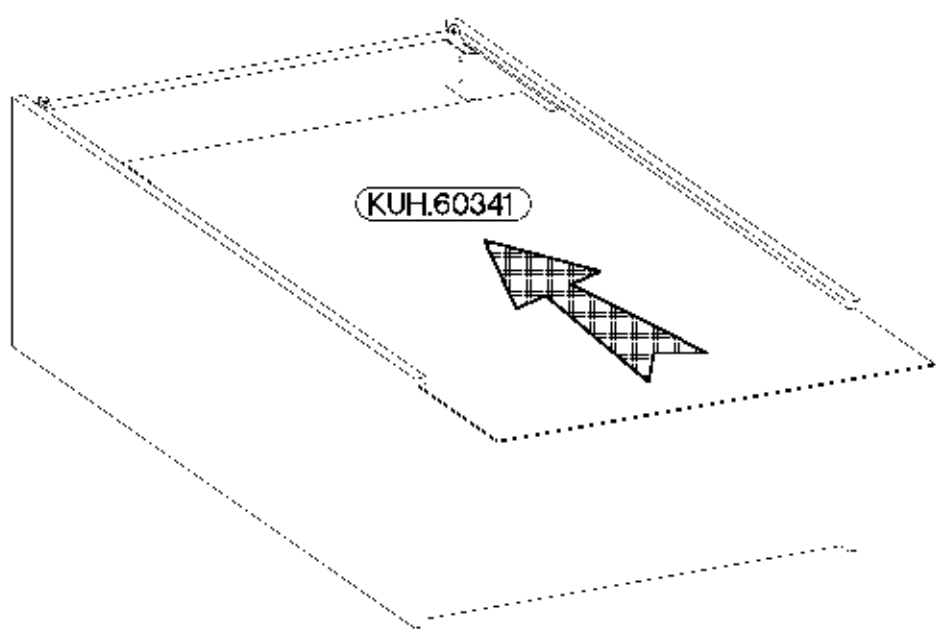


1 O



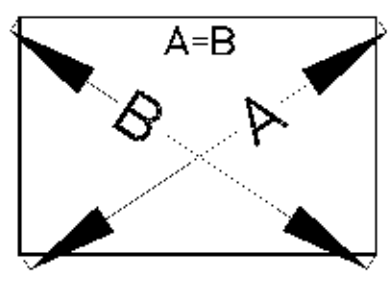
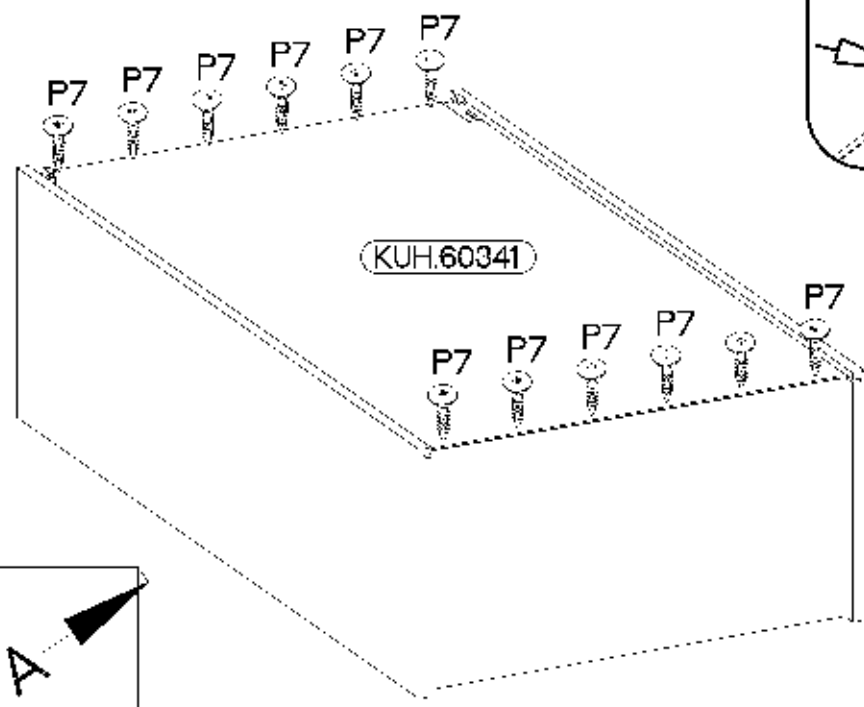
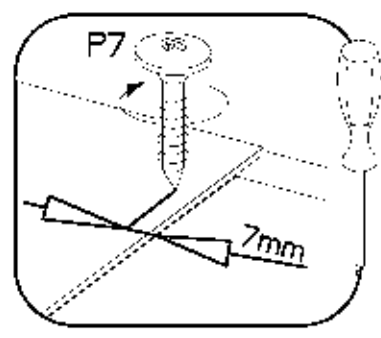
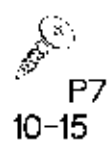
4 E1

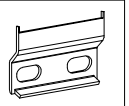
4



5

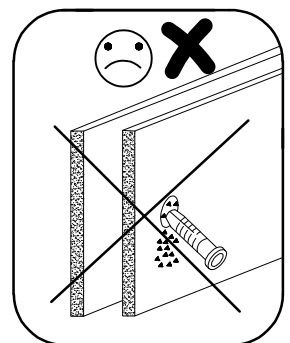
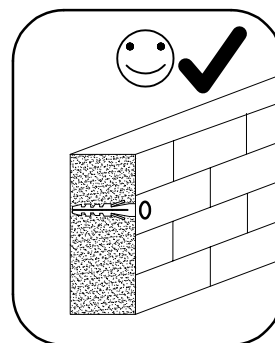
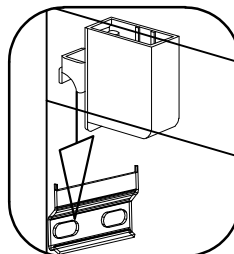
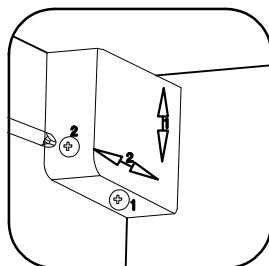
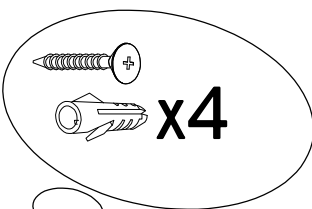
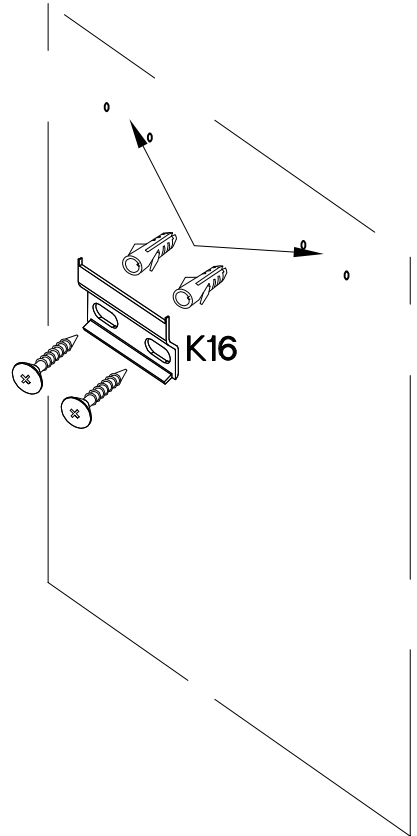
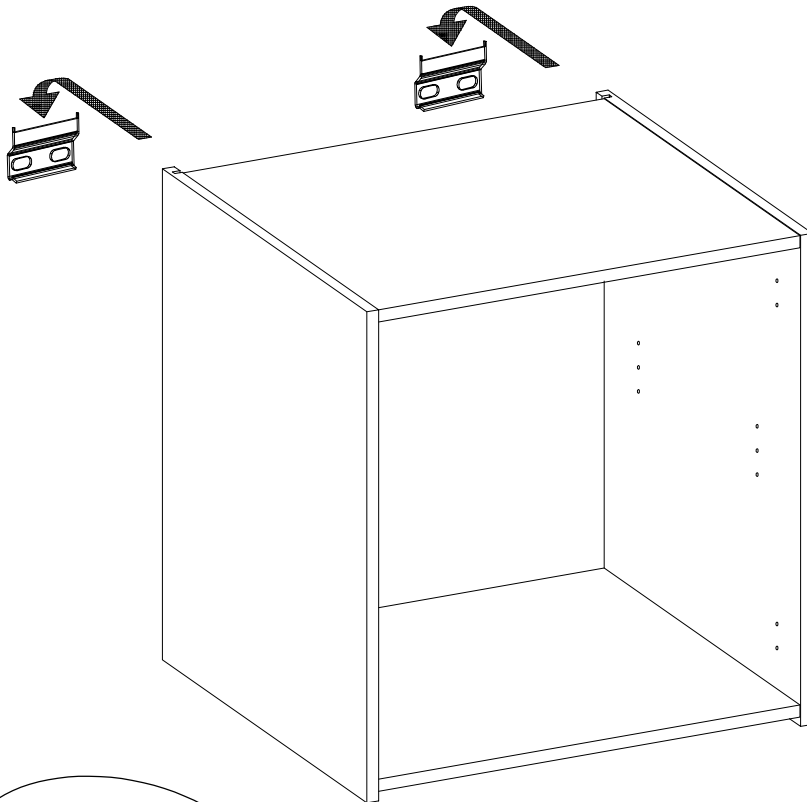
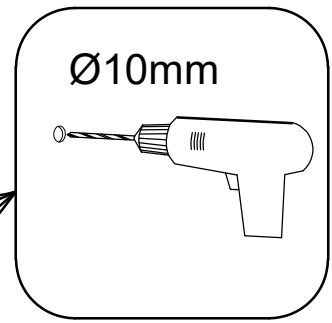
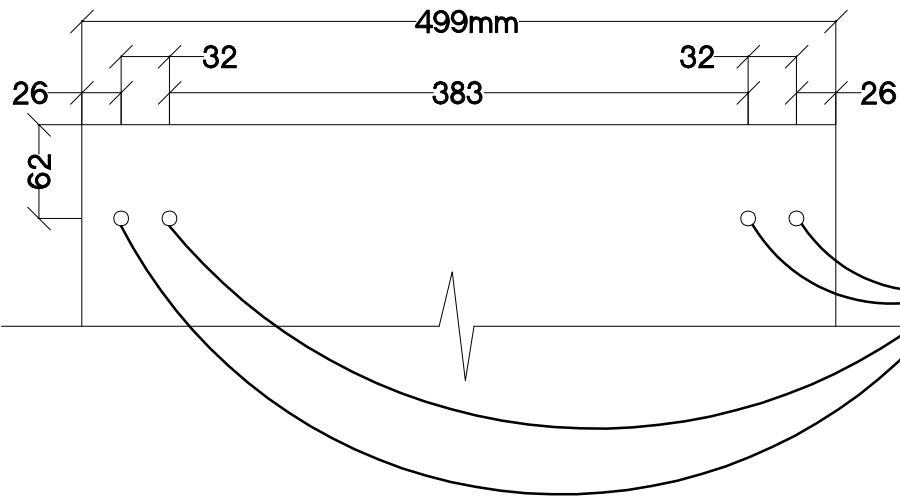
3.0x20mm





K16

2



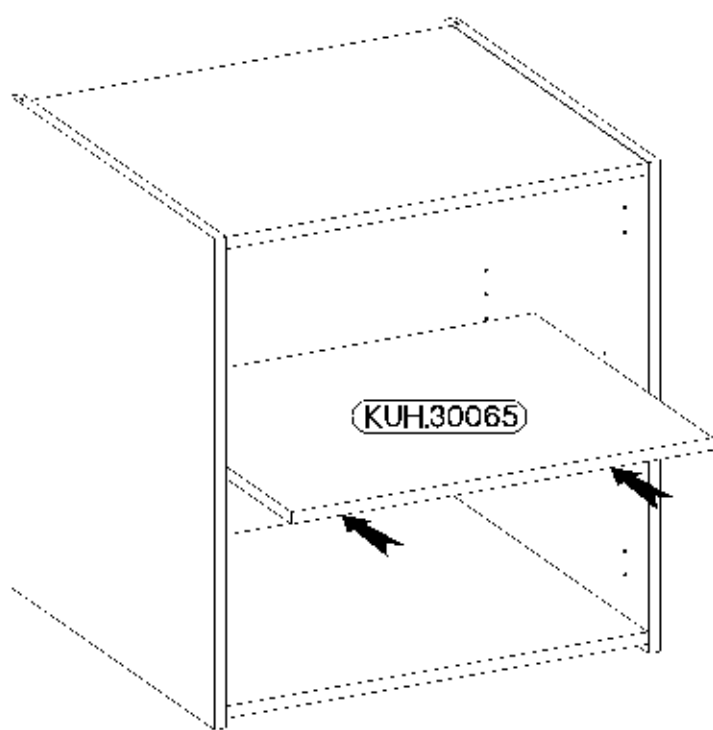
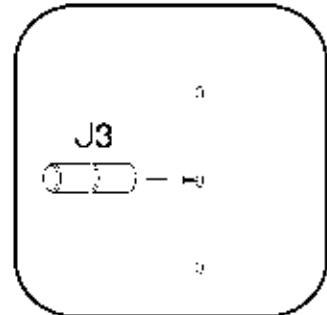
7

±5/16mm



J3

4



8

±35/0mm ±3.5x13mm



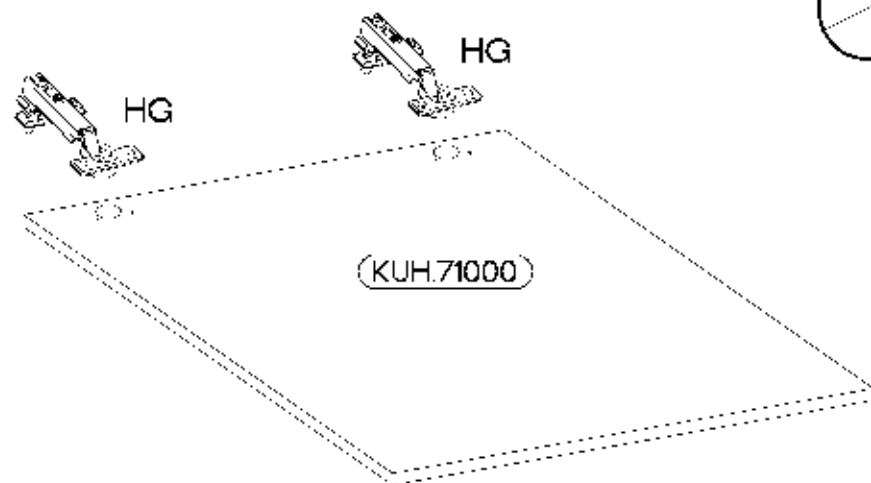
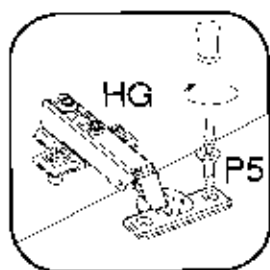
HG

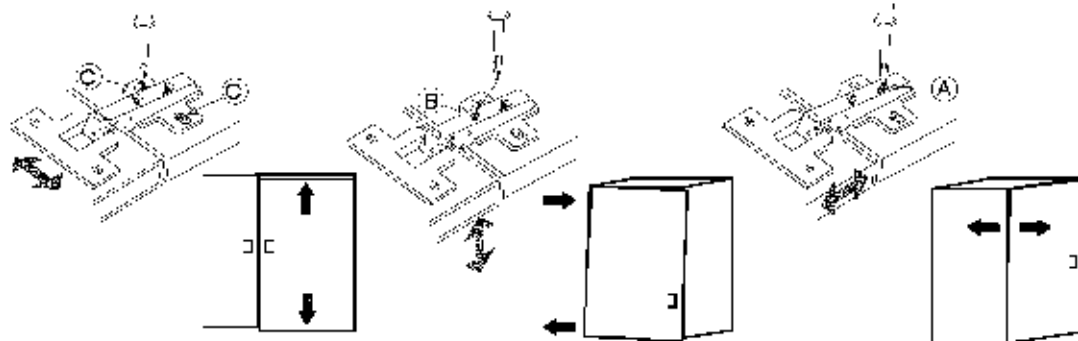
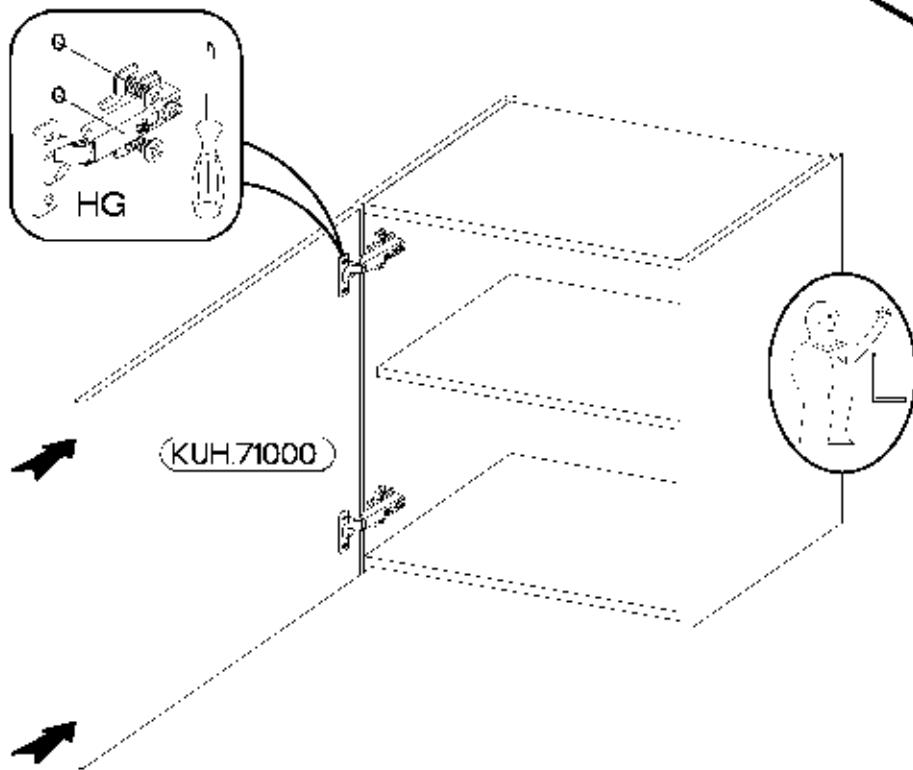
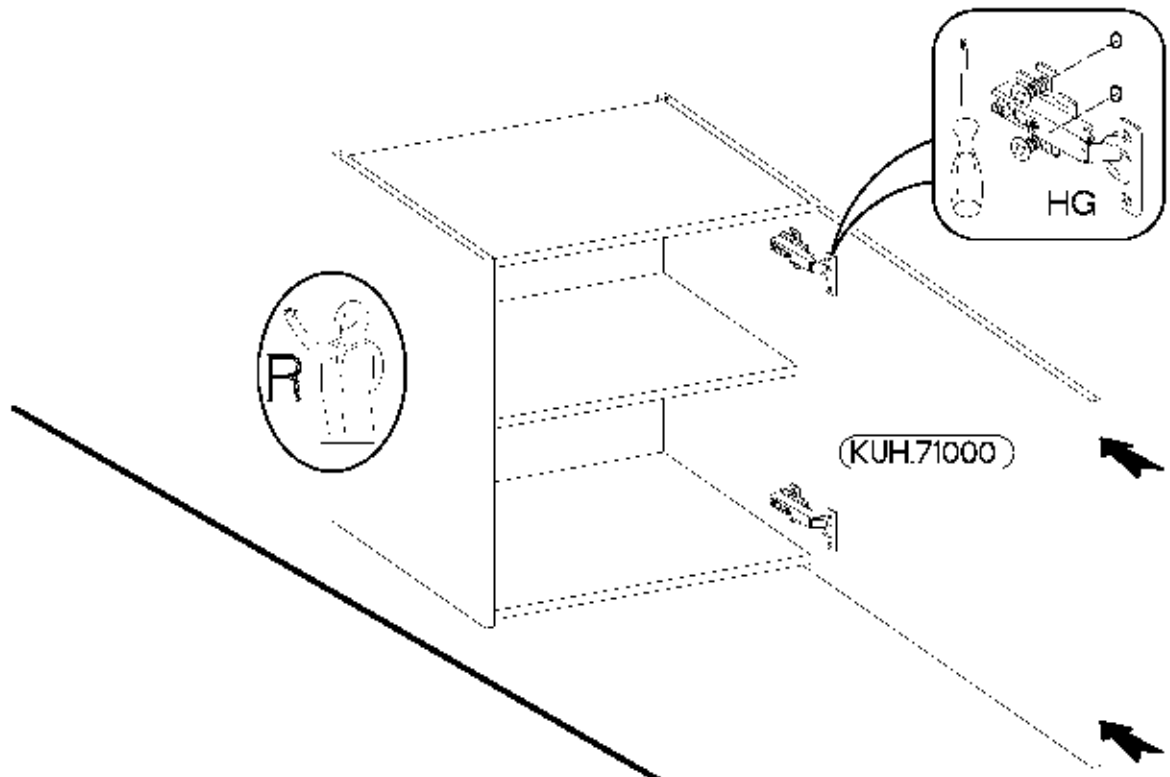
2

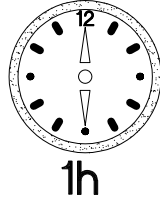
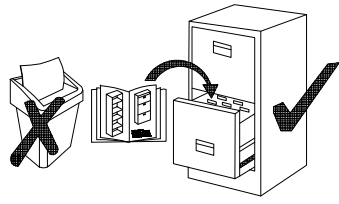
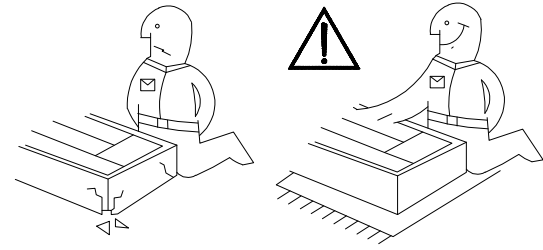
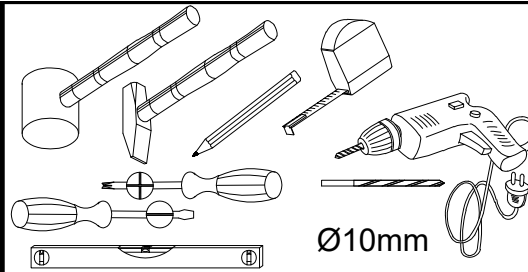
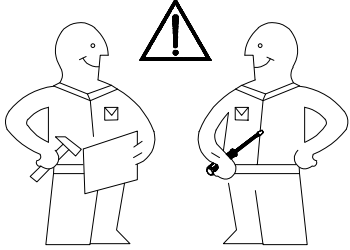


P5

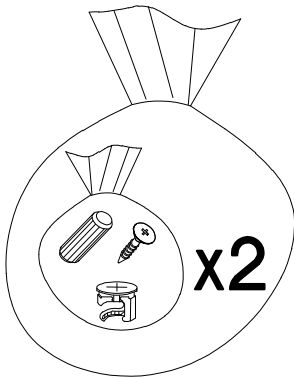
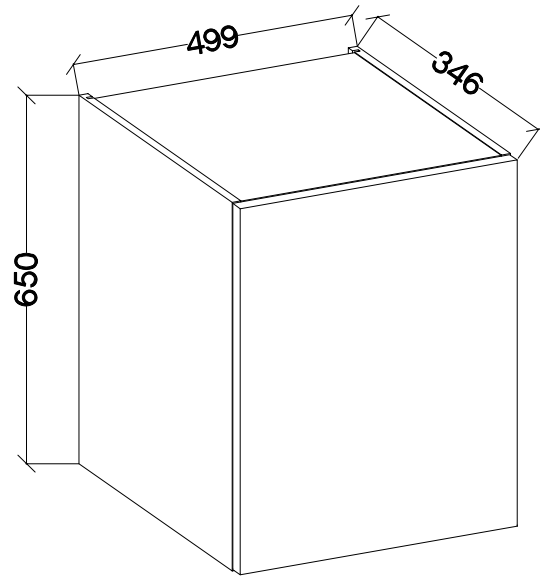
4



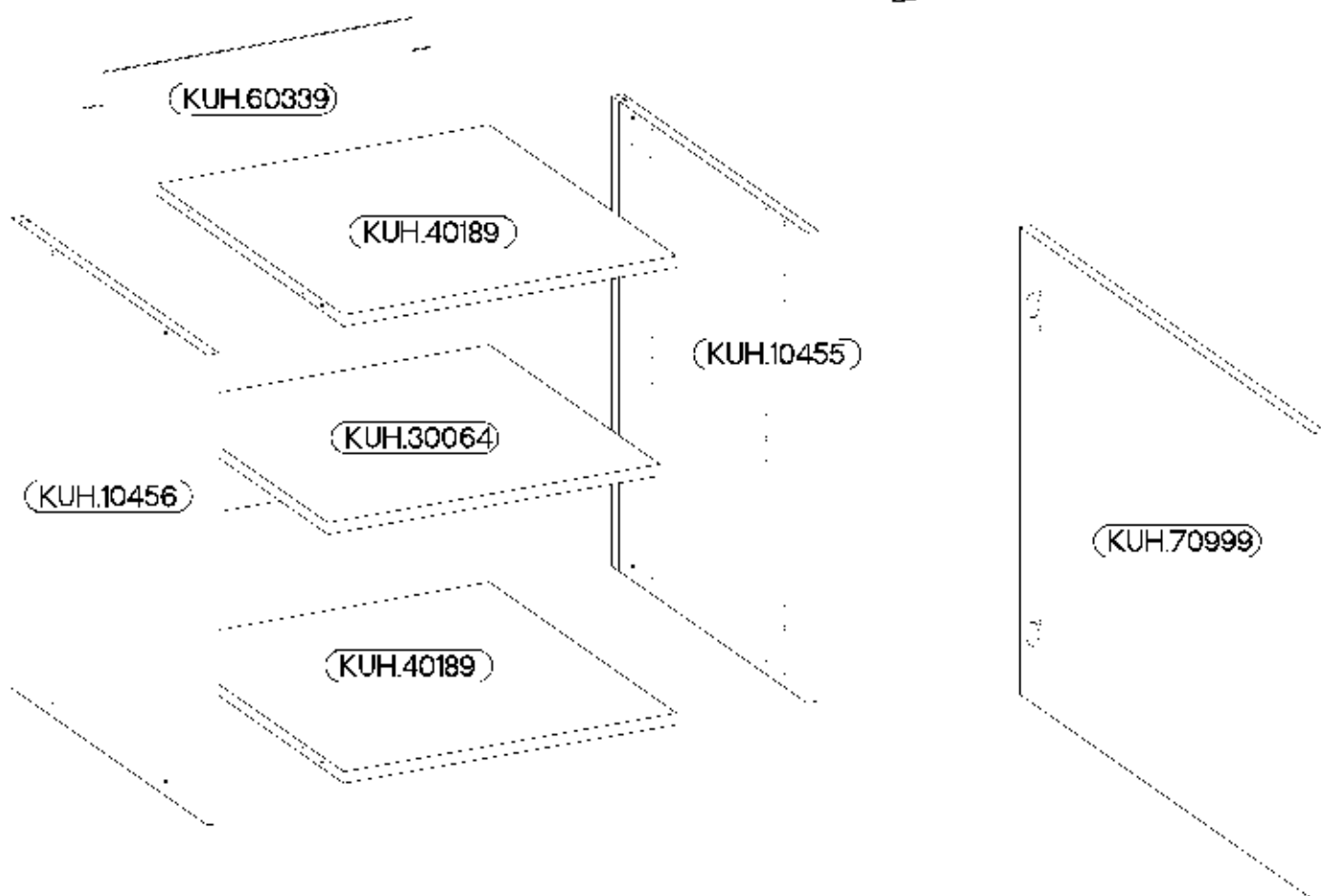
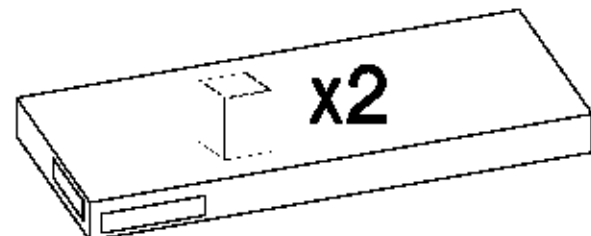




84-200-...
ADANA
Zeile 200
Hängeschrack 1T

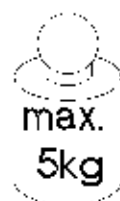


<p>8x30mm A</p>	<p>6,4 x 50mm B</p>	<p>E1</p>	<p>35/0mm HG</p>	<p>5/16mm J3</p>	
8	8	8	2	4	
<p>K</p>	<p>K16</p>	<p>O</p>	<p>3.5x13mm P5</p>	<p>3.0x20mm P7</p>	<p>4.0x30mm P8</p>
2	2	1	4	8-10	4



Colli	Spare Part	Dimension
Colli 4/6	KUH.10455	650x330x16
	KUH.10456	650x330x16
	KUH.30064	466x288x16
	KUH.40189 x2	467x316x16
	KUH.60339	635x485x2,5
	KUH.70999	646x496x16

x2



(KUH.30064)

(KUH.40189)



+8x30mm +4.0x30mm



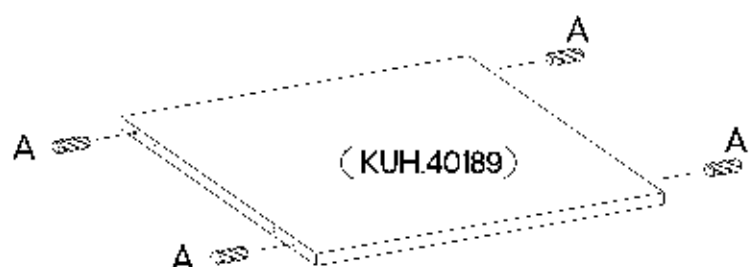
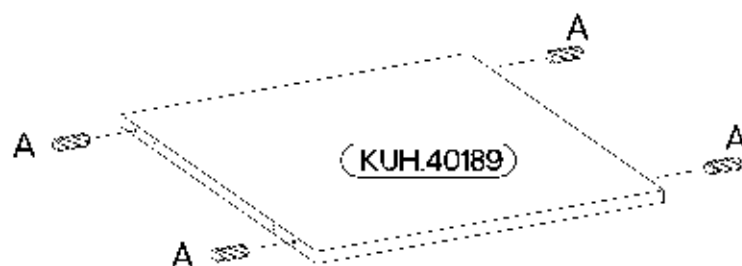
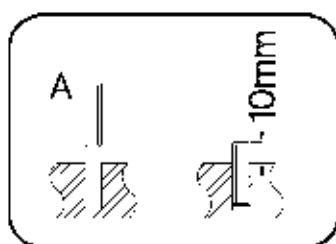
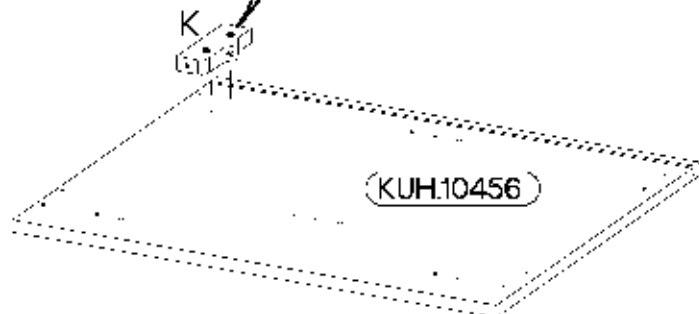
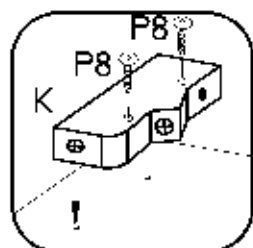
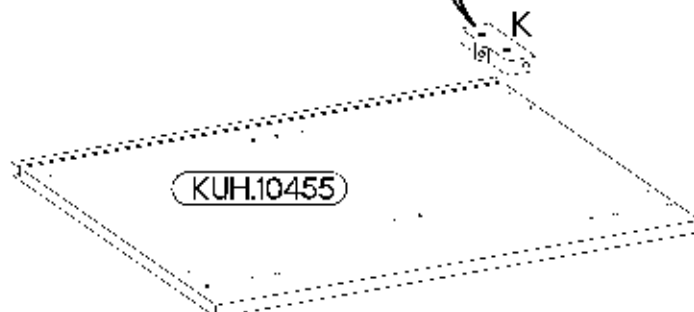
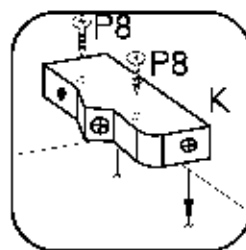
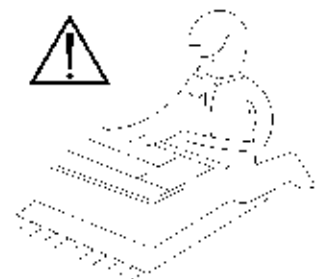
A
8



P8
4



K
2



2

6,4 x 50mm



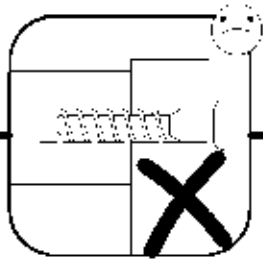
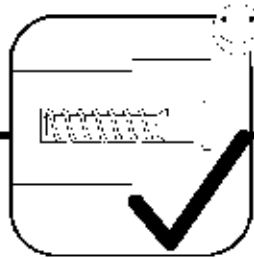
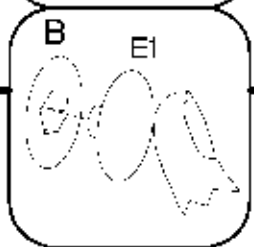
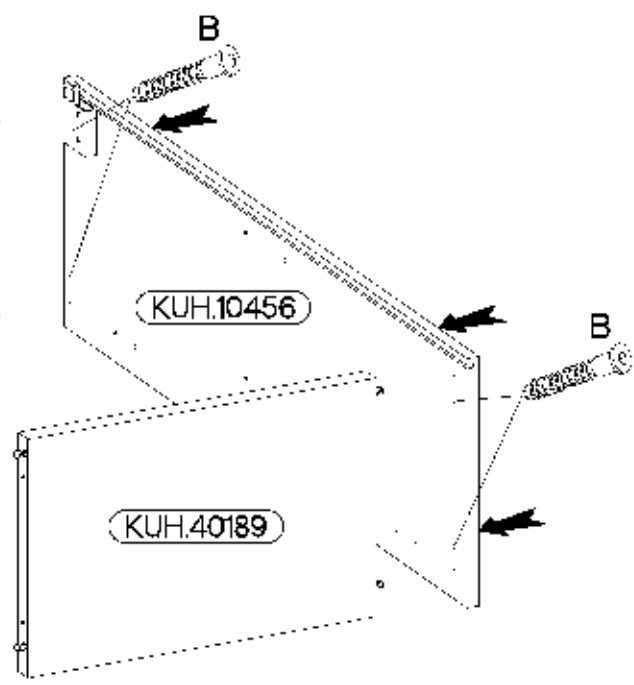
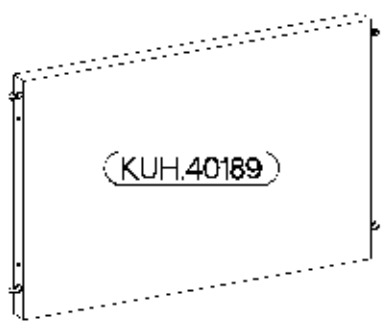
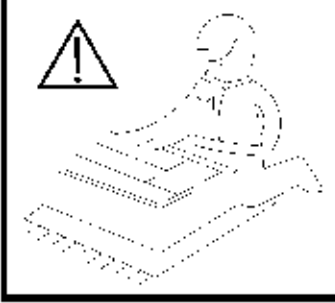
4 B



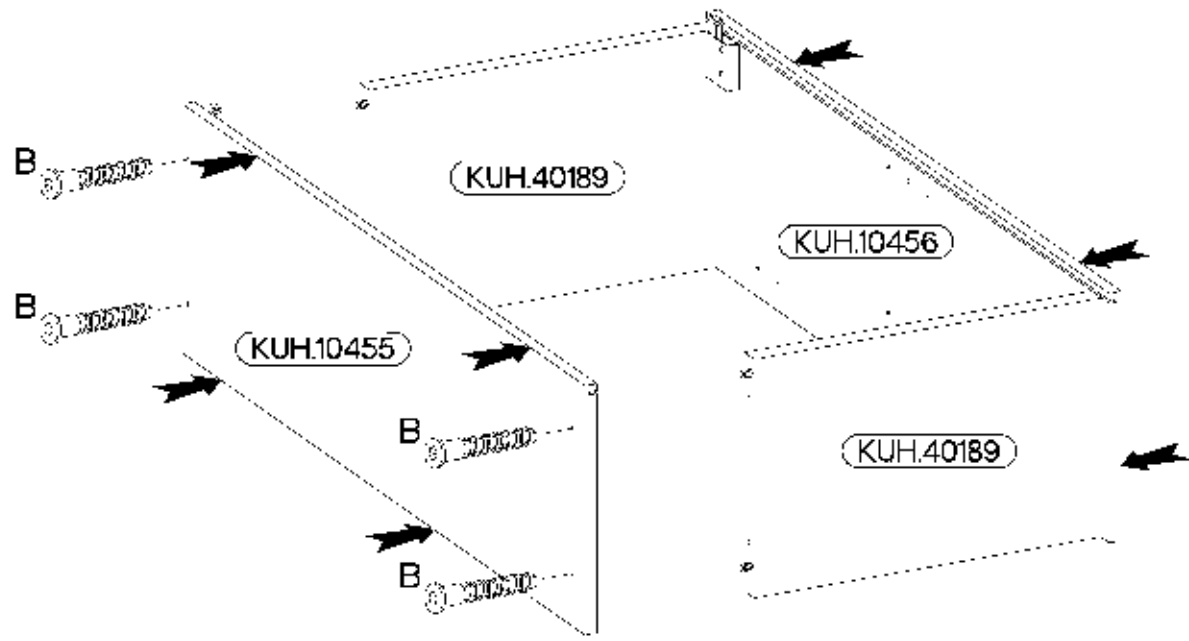
1 O



4 E1



3



6,4 x 50mm



4 B

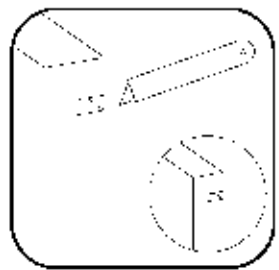
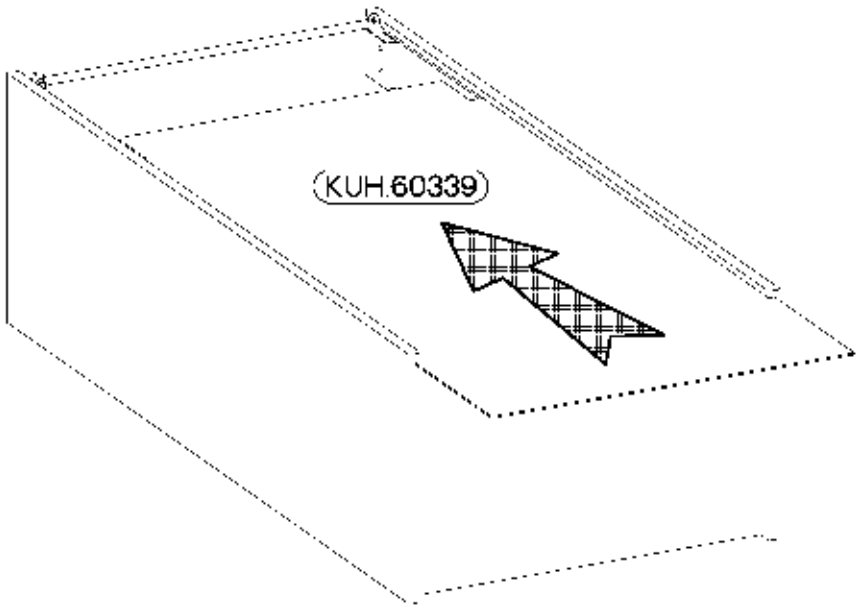
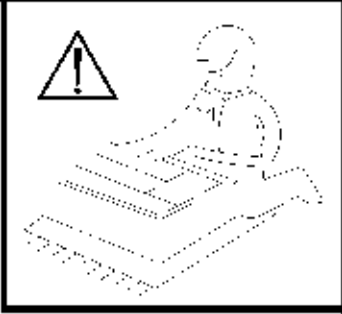


1 O



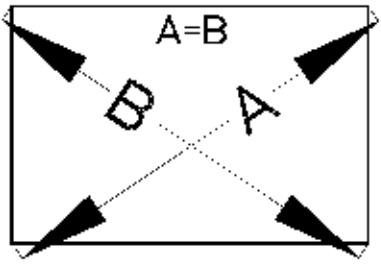
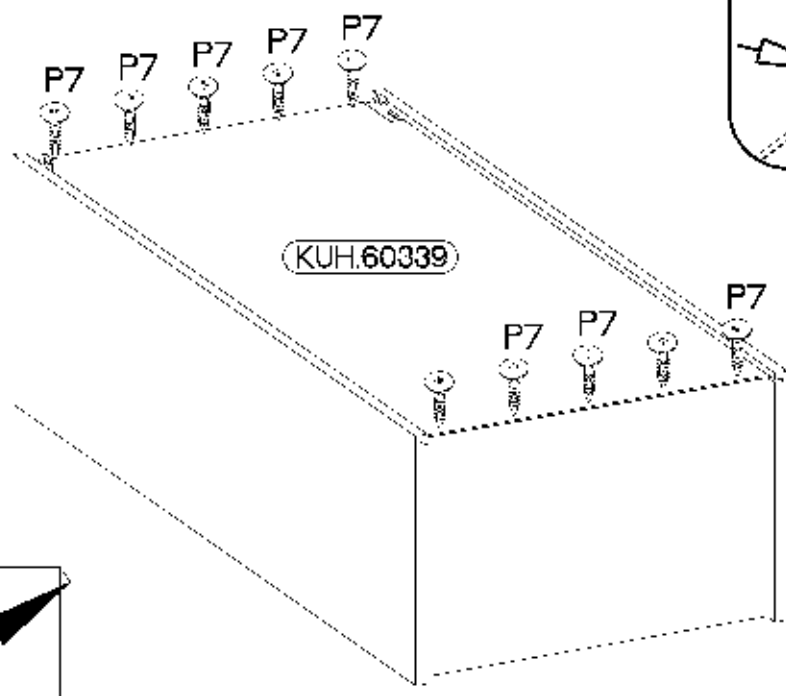
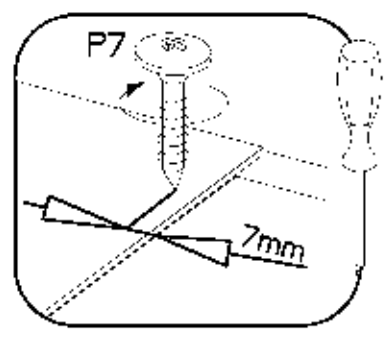
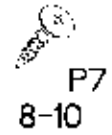
4 E1

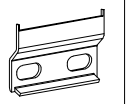
4



5

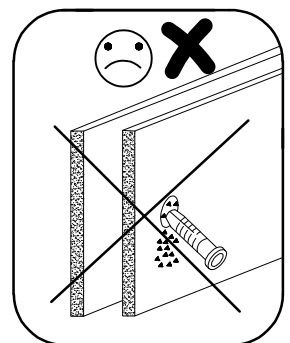
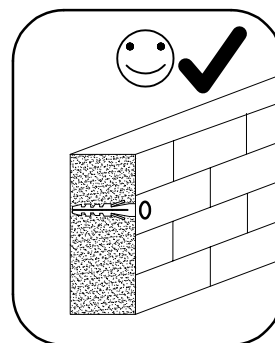
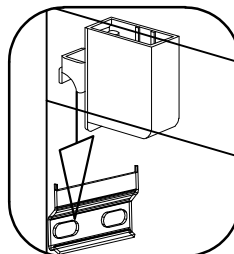
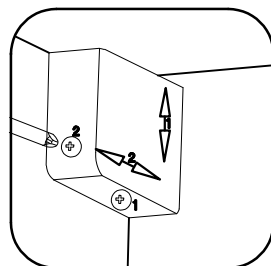
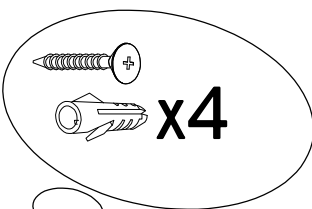
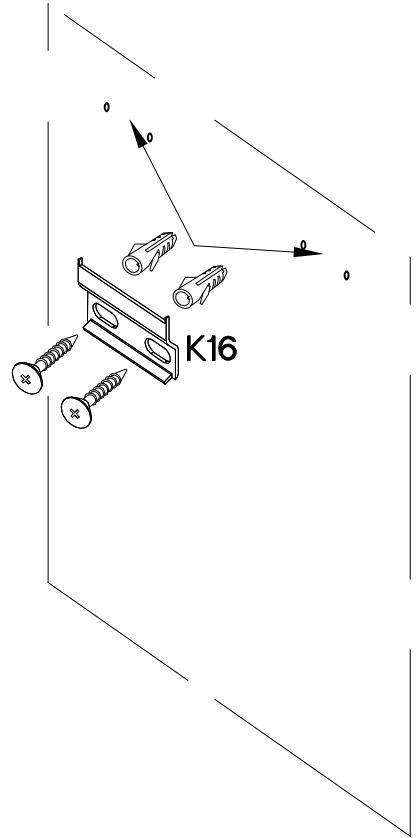
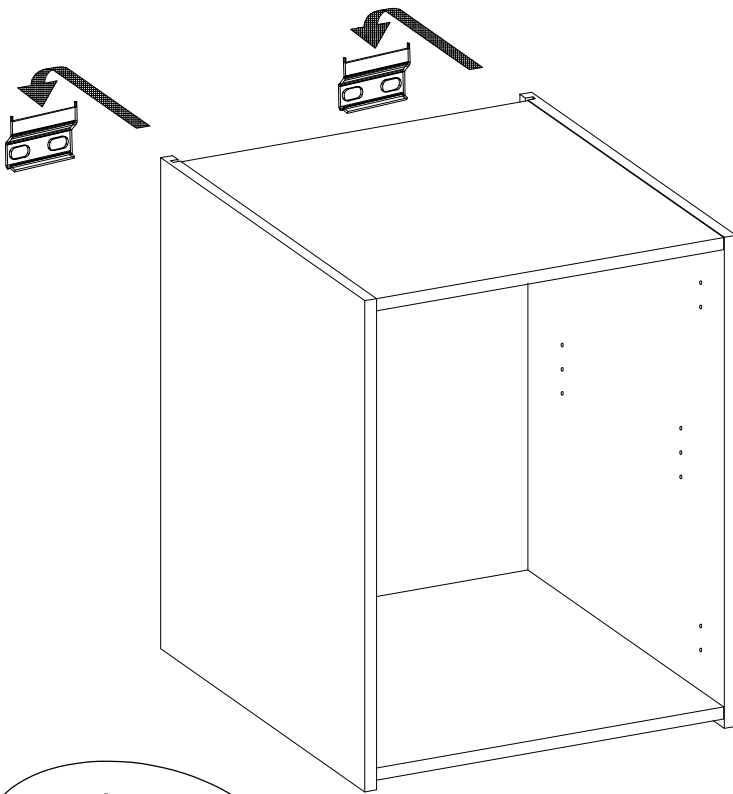
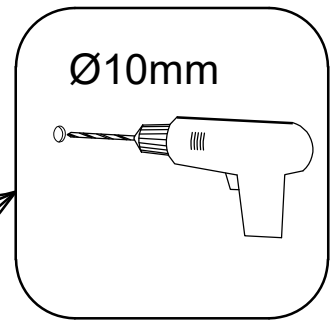
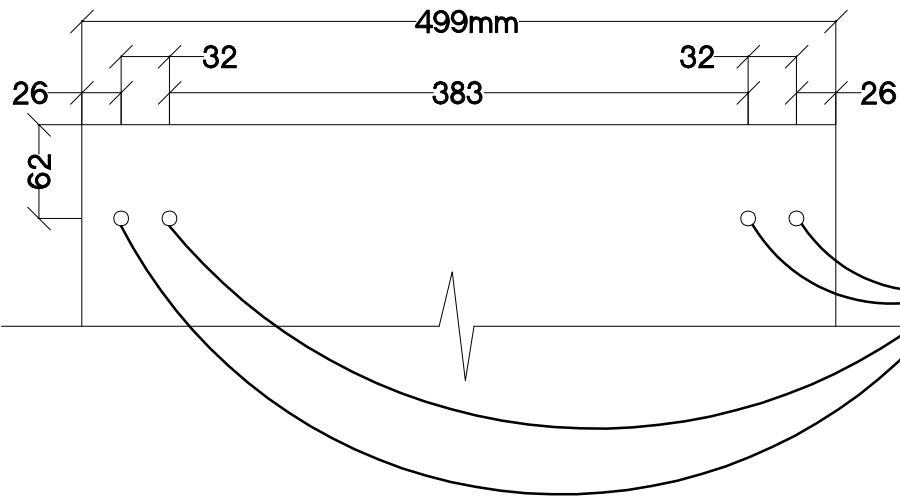
3.0x20mm





K16

2



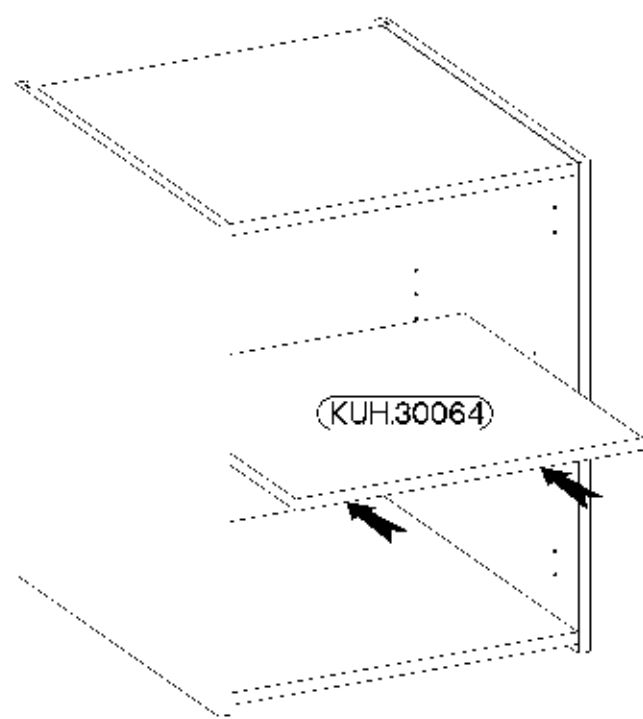
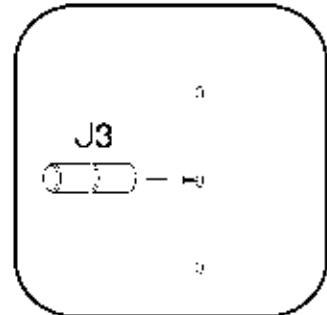
7

±5/16mm



J3

4



8

±35/0mm ±3.5x13mm



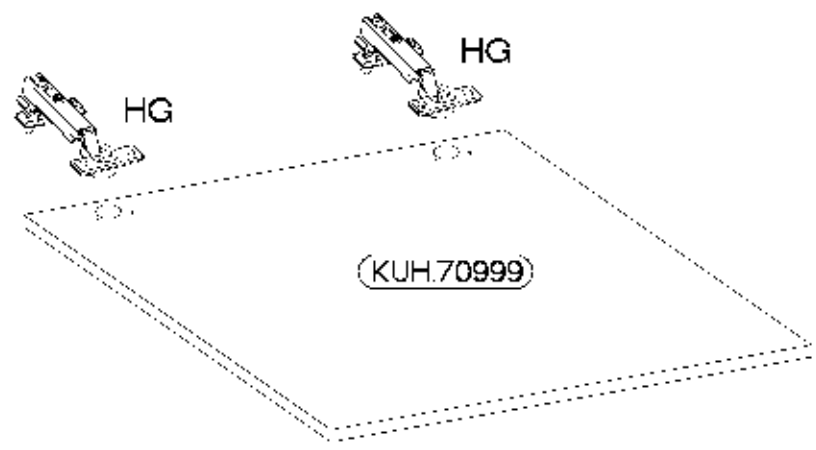
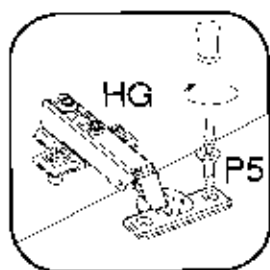
HG

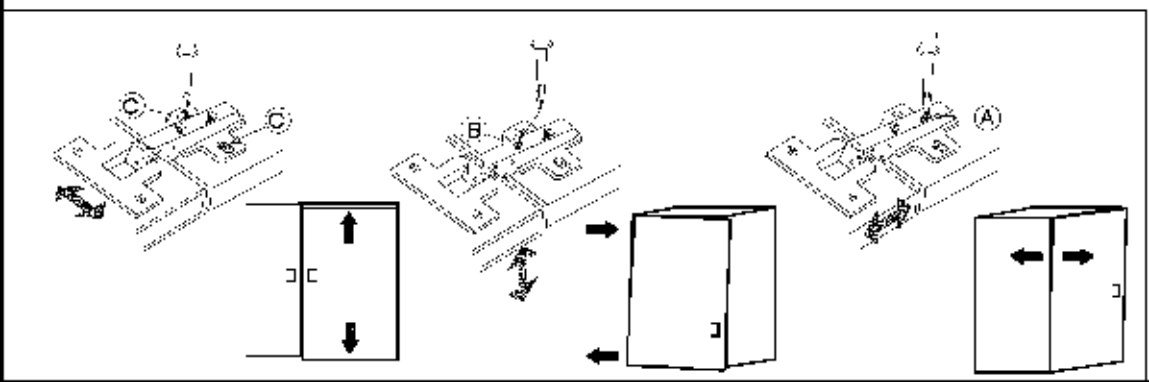
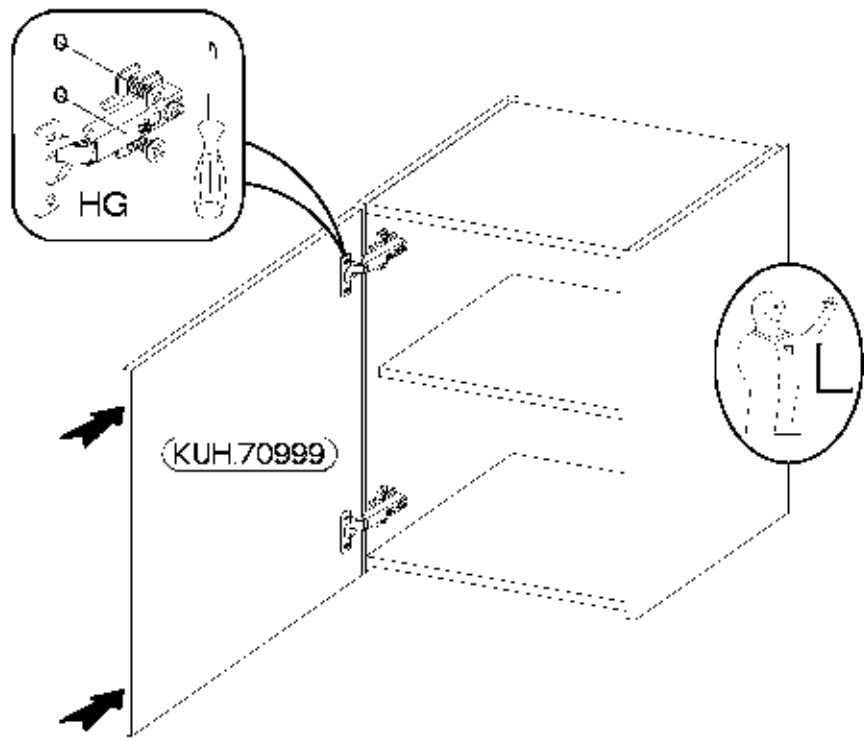
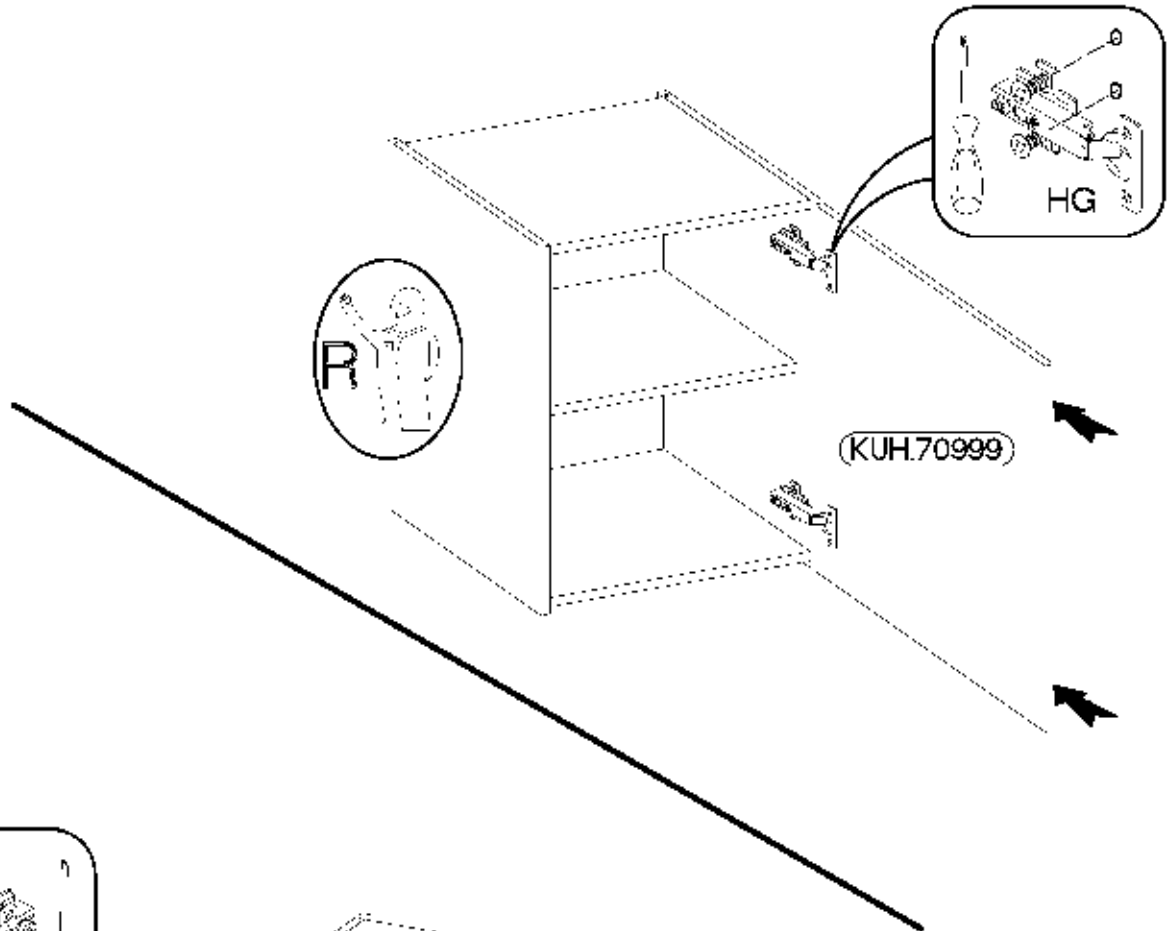
2

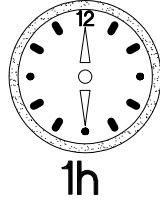
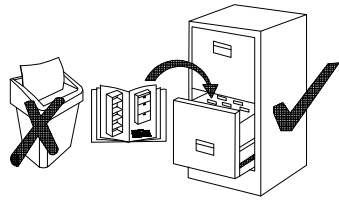
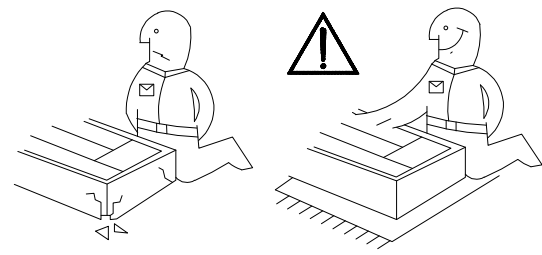
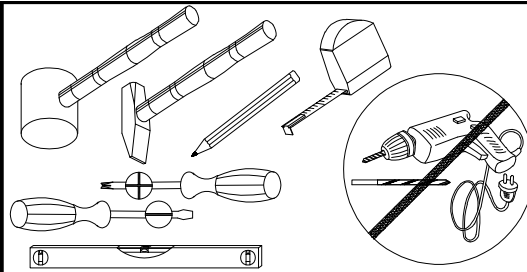
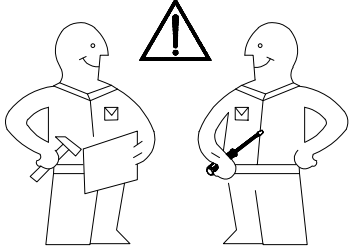


P5

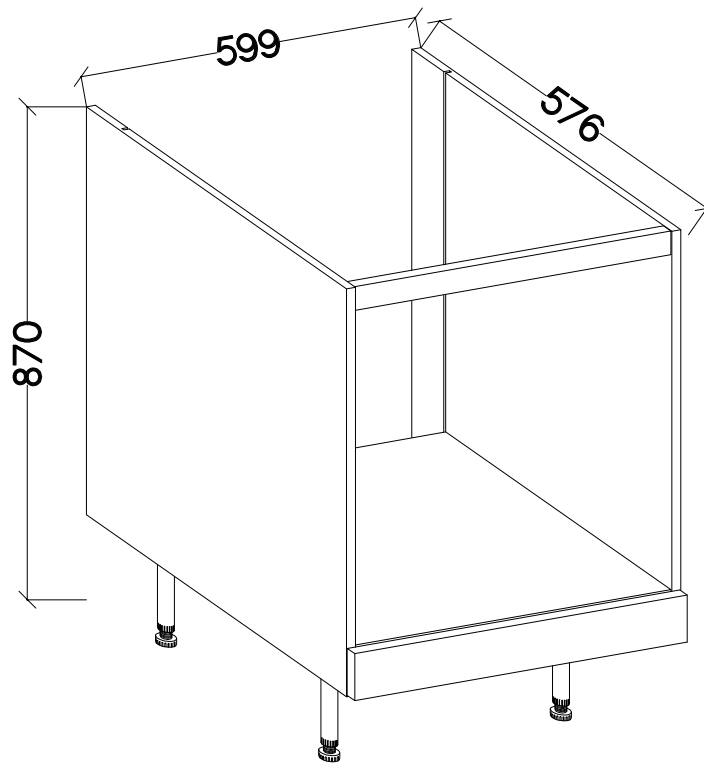
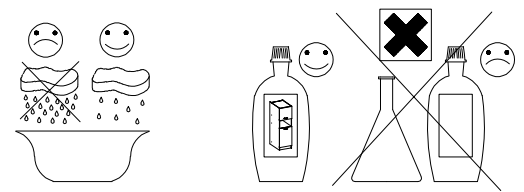
4

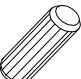




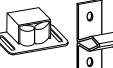
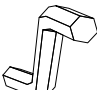



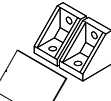




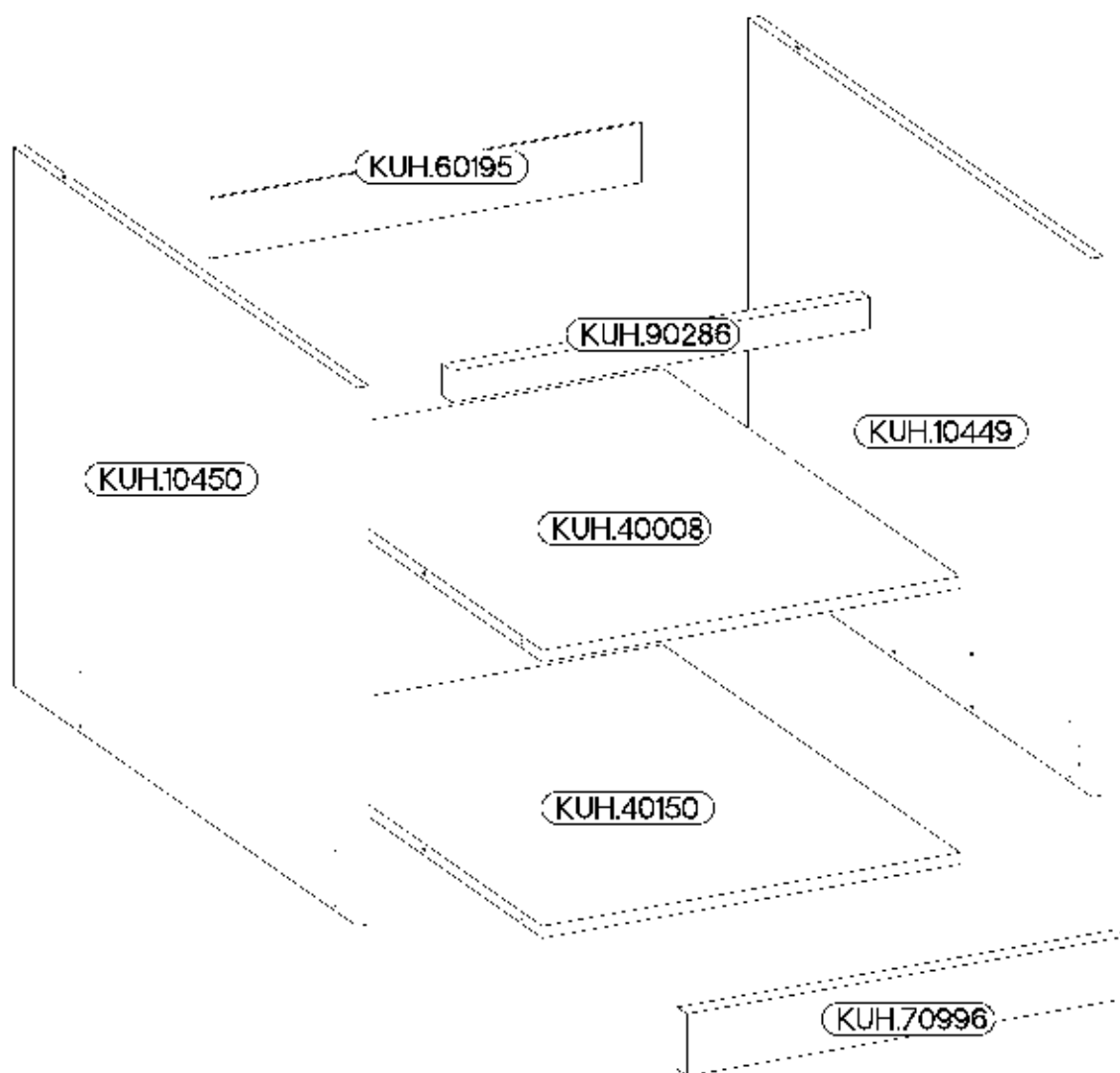


84-200-...
ADANA
Zeile 200
Herdumbauschrank




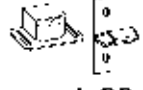



 A	 B	 E1	 F15	 F16	
8	8	8	4	2	
 L28	 O	 P1	 28	 P7	 T4
2	1	8	16	8-10	2

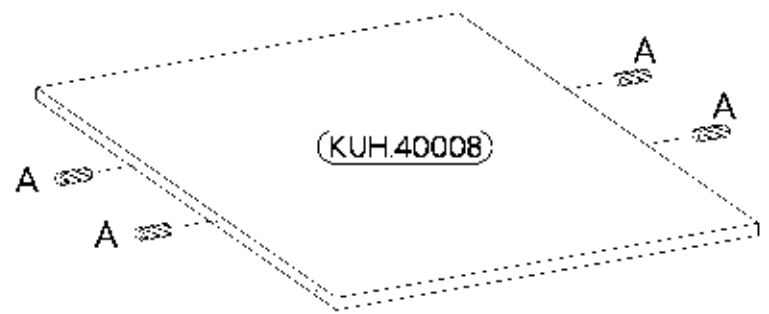
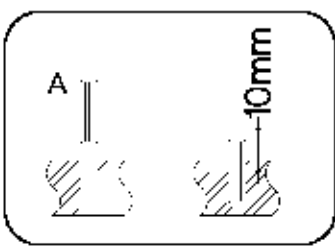
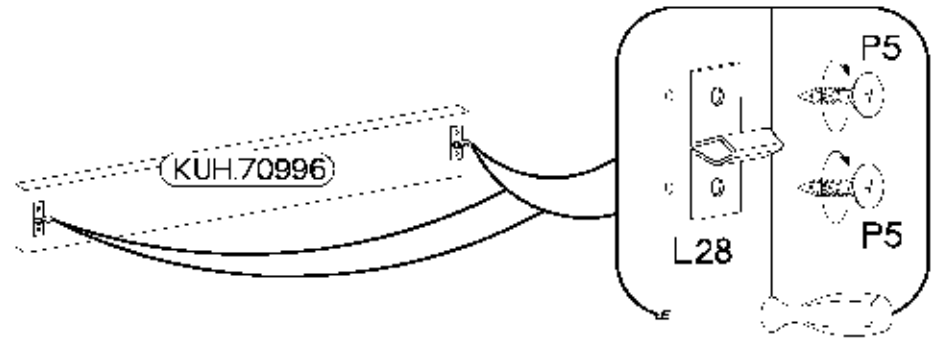
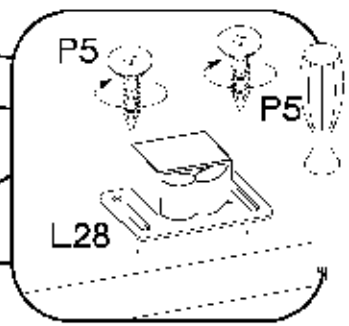
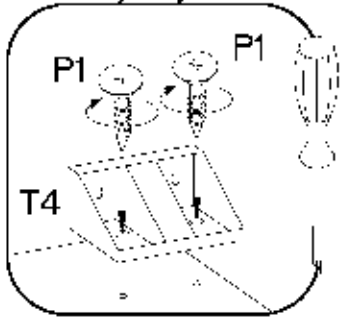
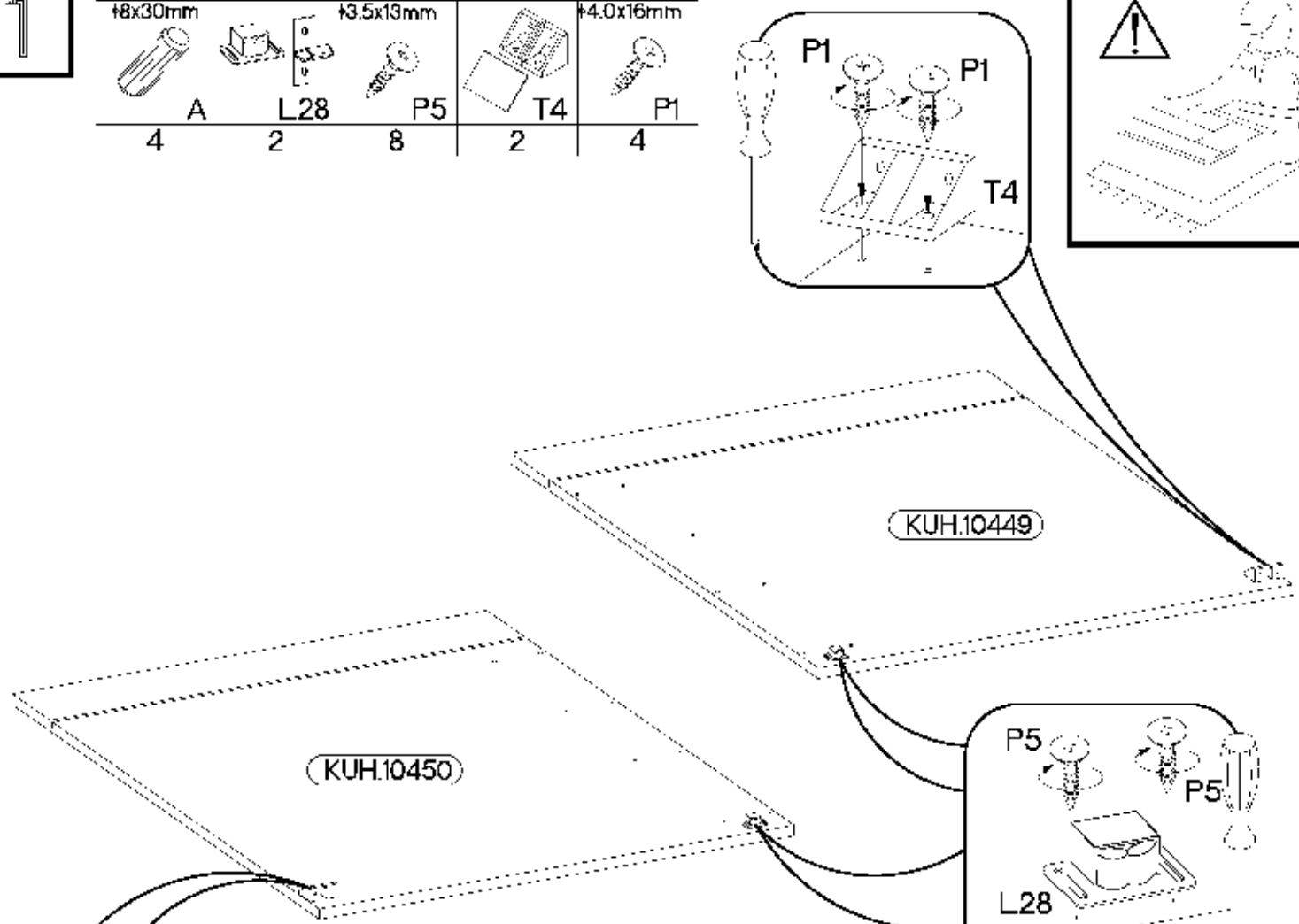
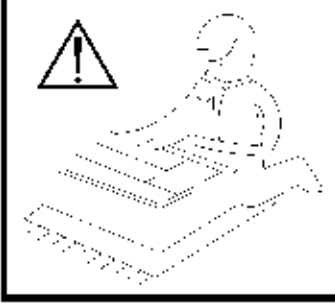
ISM-KUH-01720



Colli	Spare Part	Dimension
Colli 2/6	KUH.10449	720x560x16
	KUH.10450	720x560x16
	KUH.40008	567x485x16
	KUH.40150	567x485x16
	KUH.60195	80x585x2,5
	KUH.70996	596x83x16
	KUH.90286	567x42x16



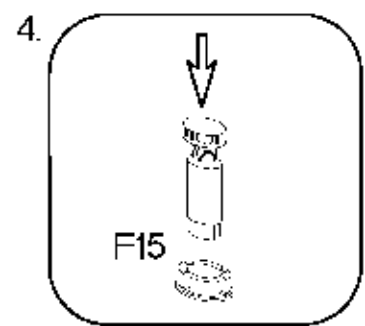
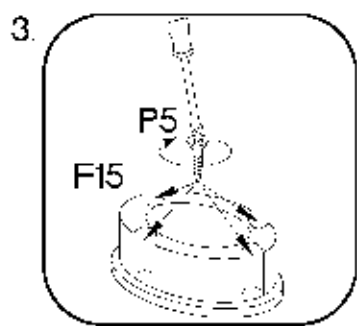
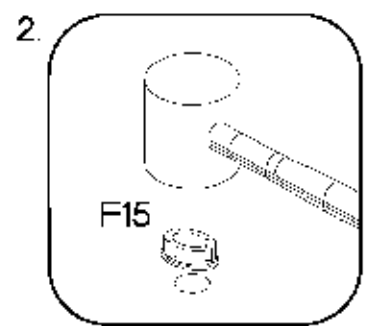
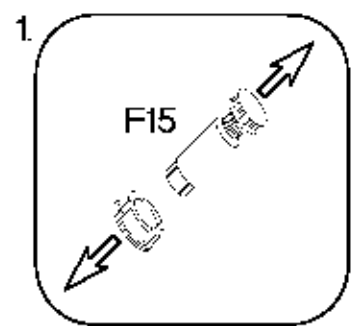
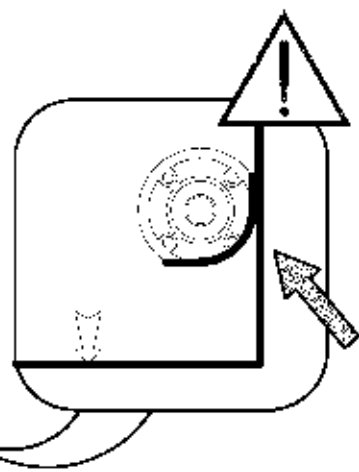
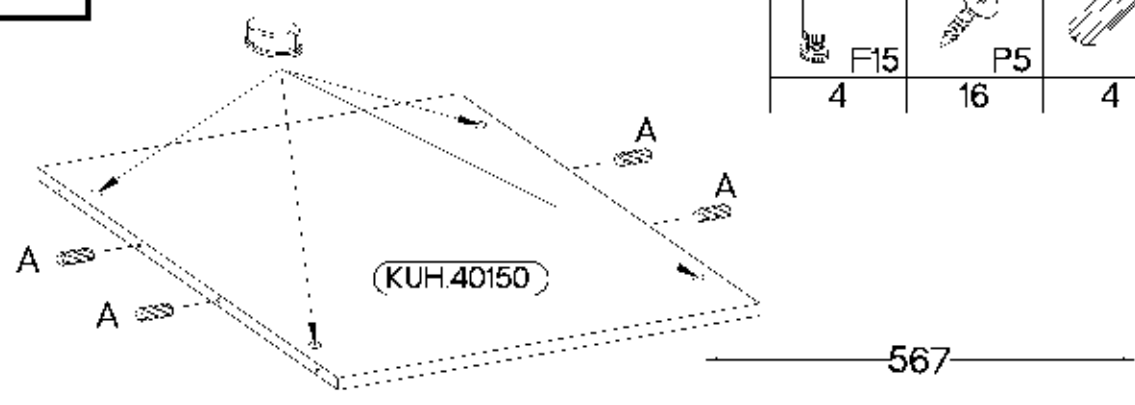
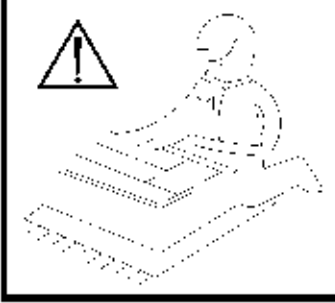
$\pm 8 \times 30 \text{mm}$	$\pm 3.5 \times 13 \text{mm}$	$\pm 4.0 \times 16 \text{mm}$
		
A	L28	P5
4	2	8
		
T4	P1	
2	4	



2

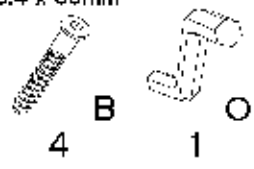
F15

L=35 170cm F15	+3.5x13mm P5	+8x30mm A
4	16	4



3

6.4 x 50mm

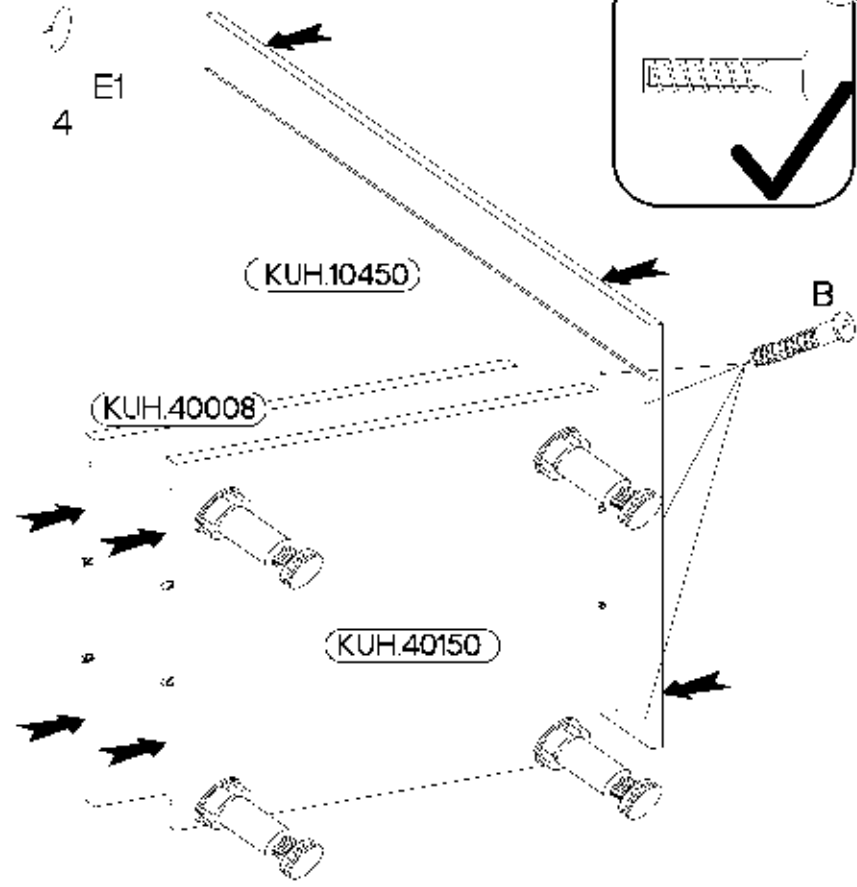
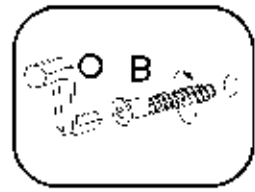
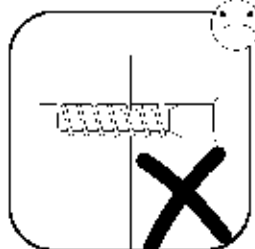


4

1

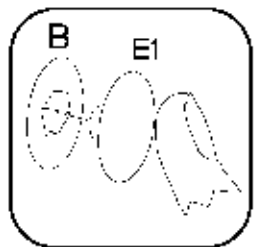
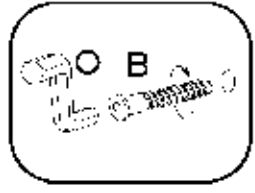
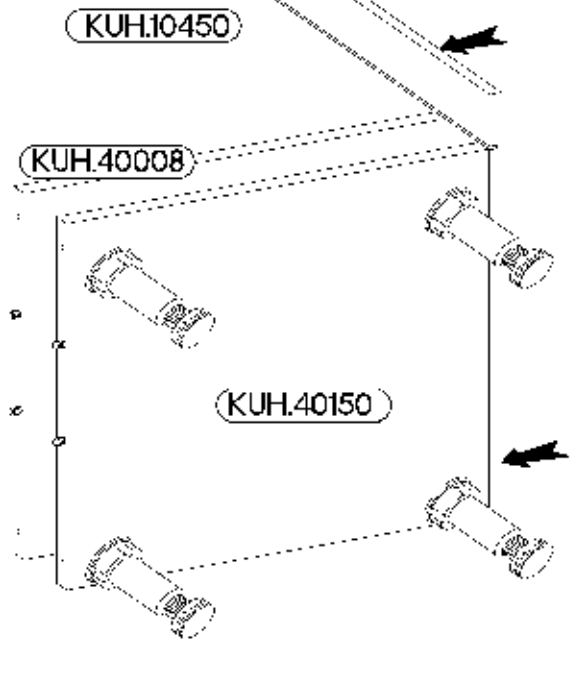
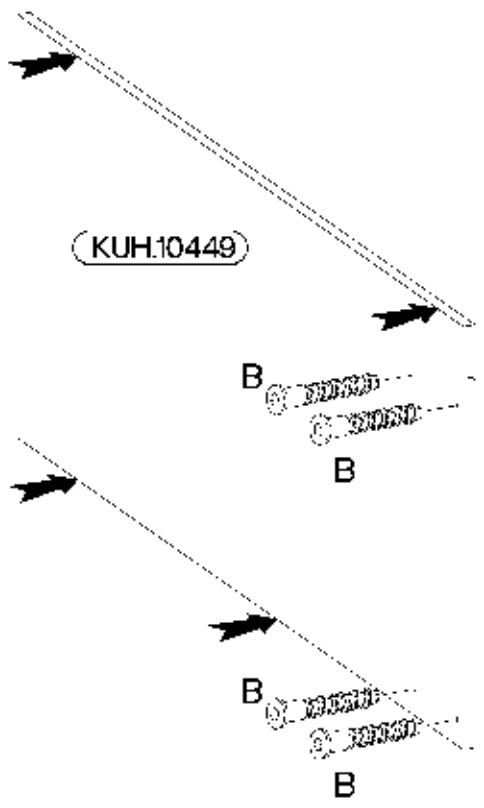
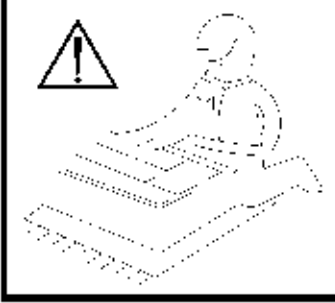
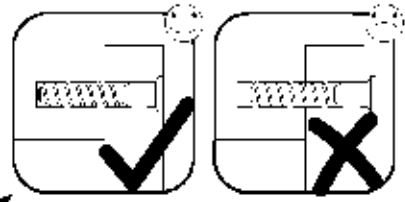
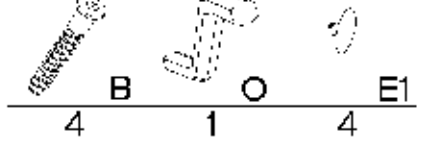


4



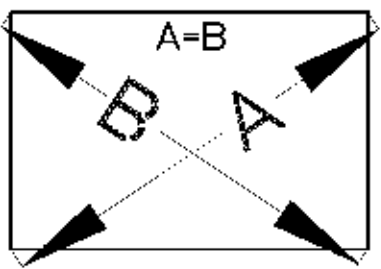
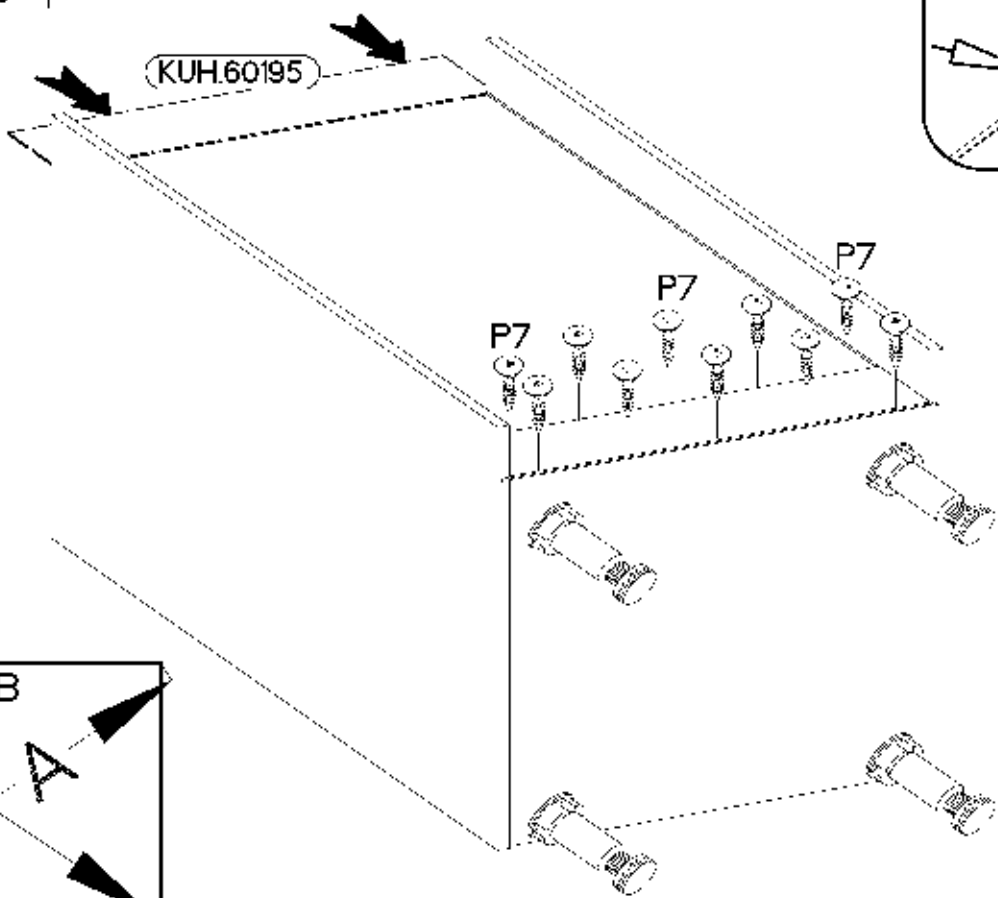
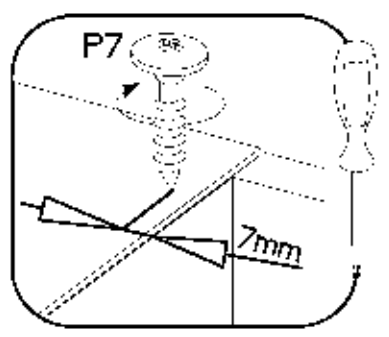
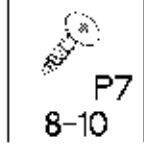
4

6,4 x 50mm



5

4.9x20mm

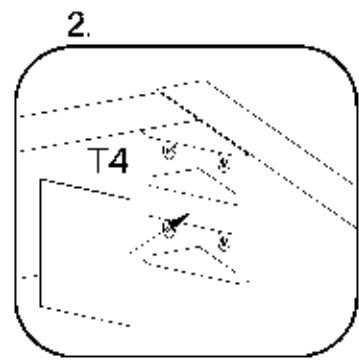
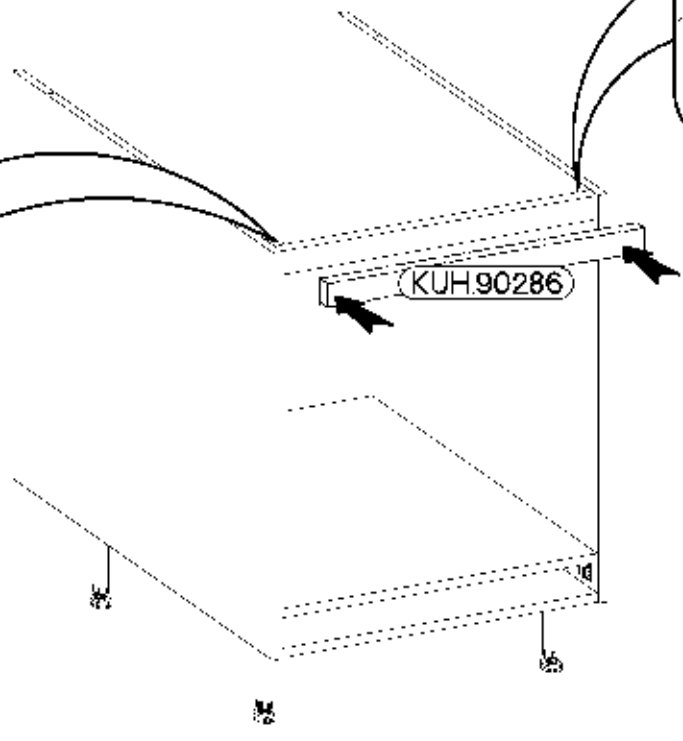
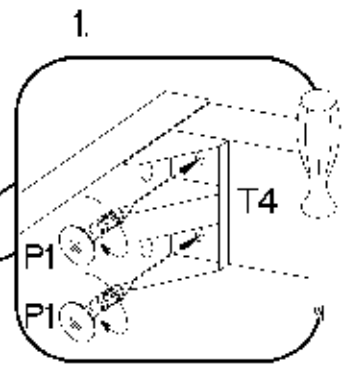
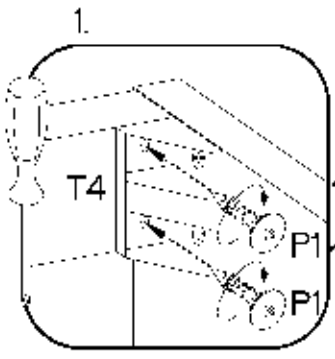


6

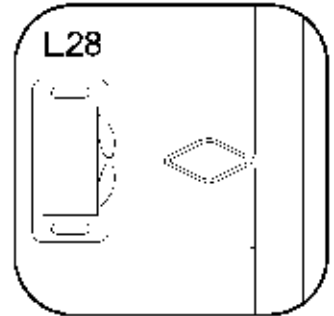
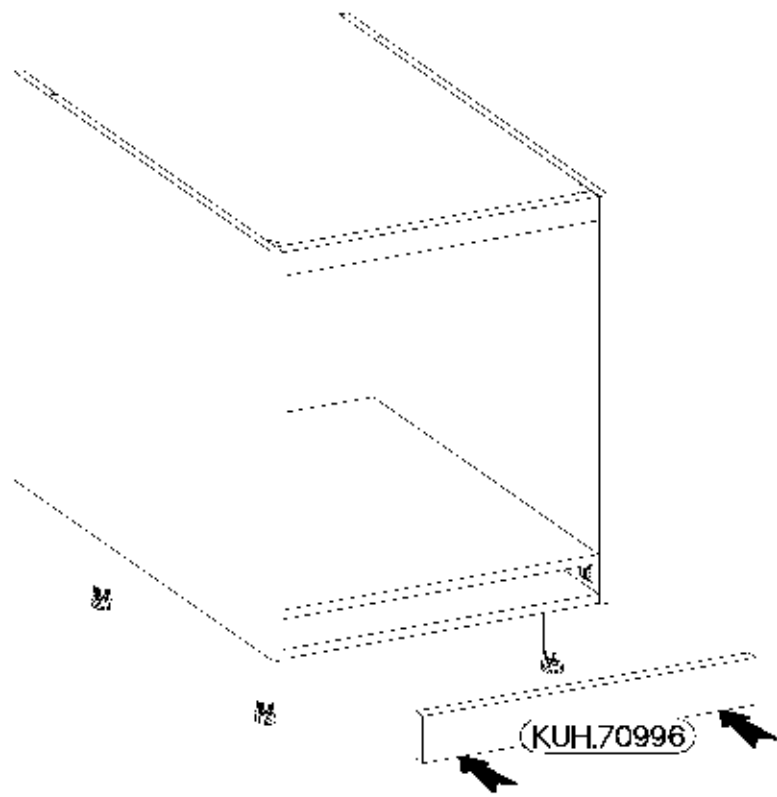
4.0x16mm



P1
4



7



Ø3.5x19mm



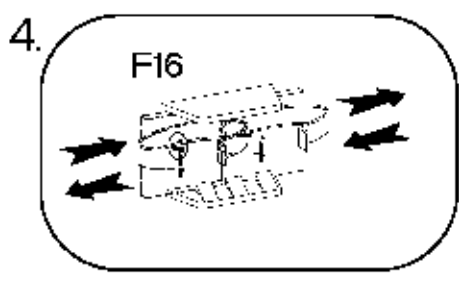
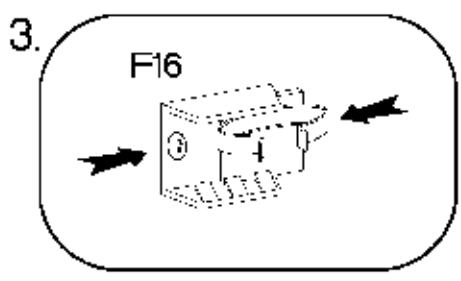
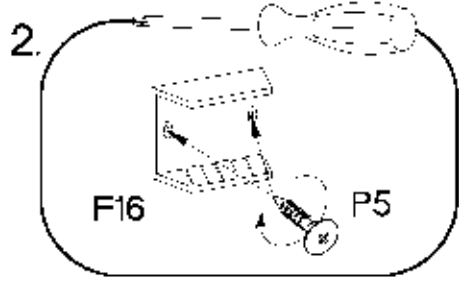
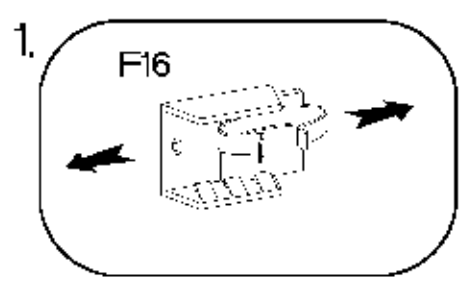
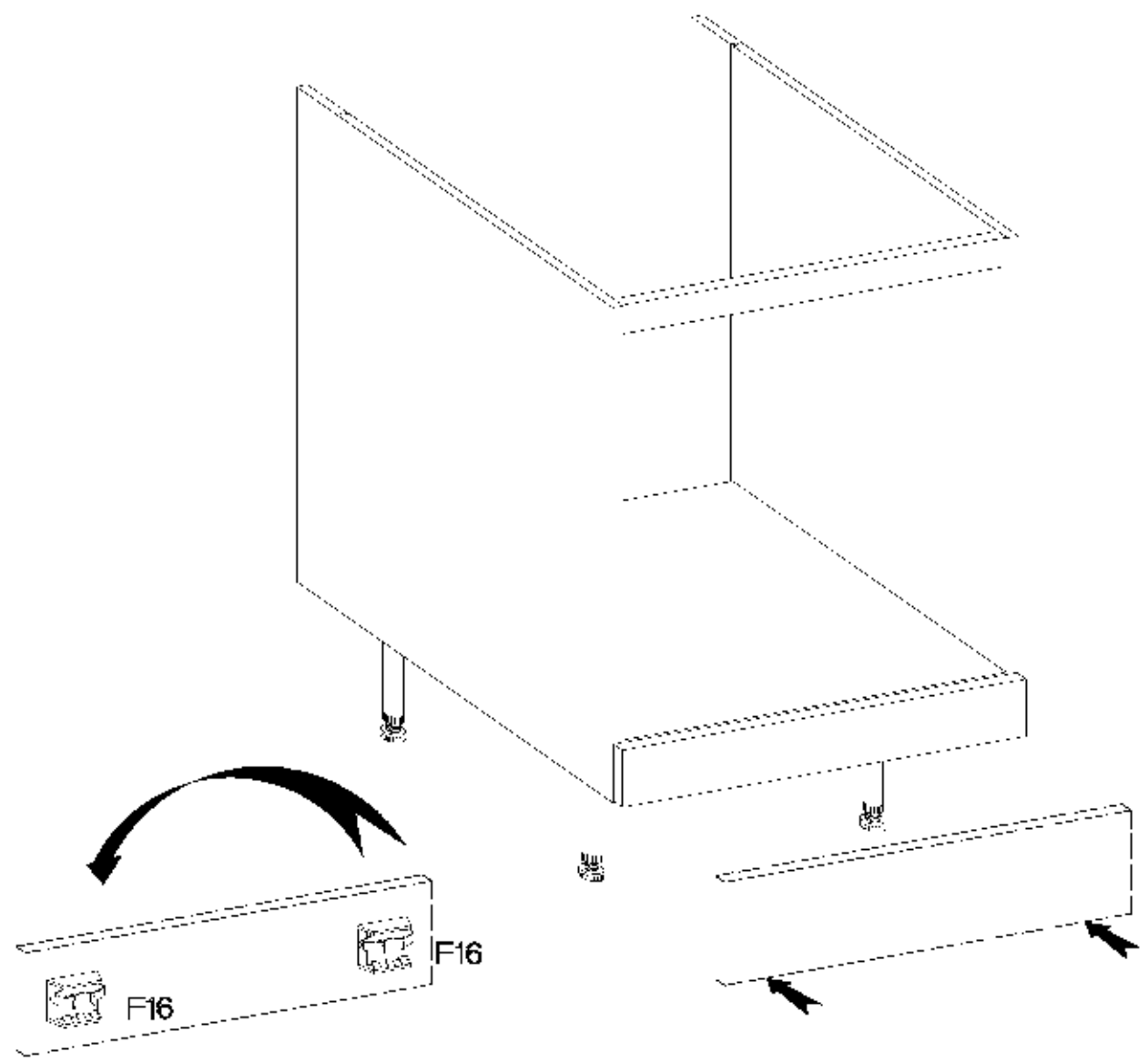
P5

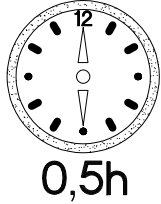
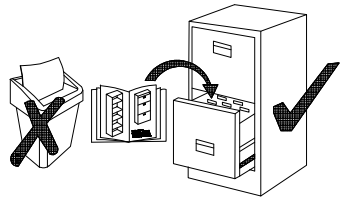
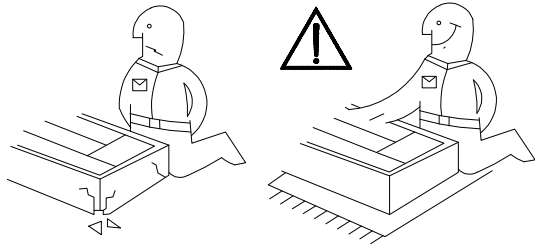
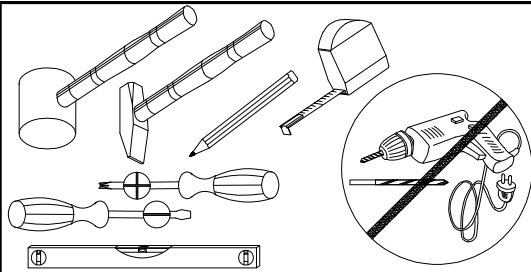
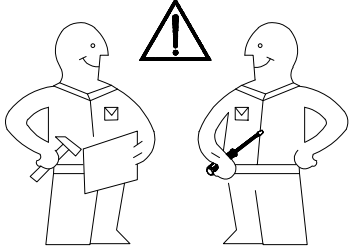
4



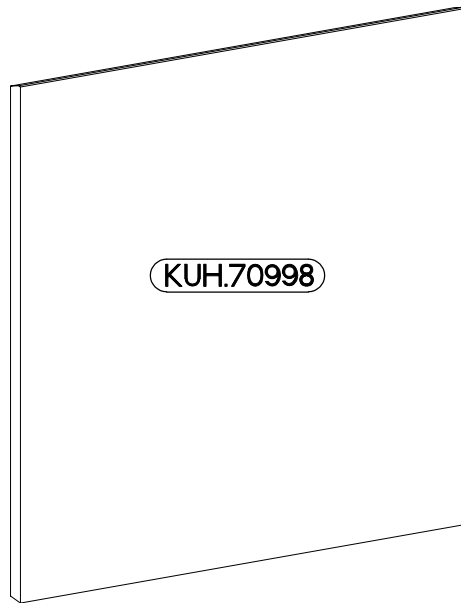
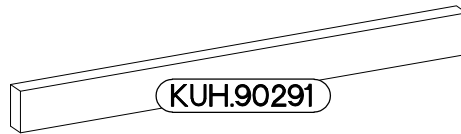
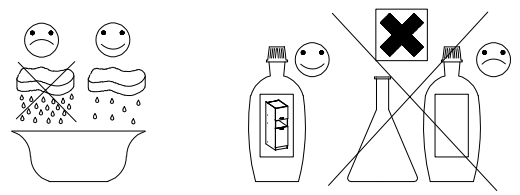
F16

2





84-200-...
ADANA
Zeile 200
Geschirrspüler Umbau

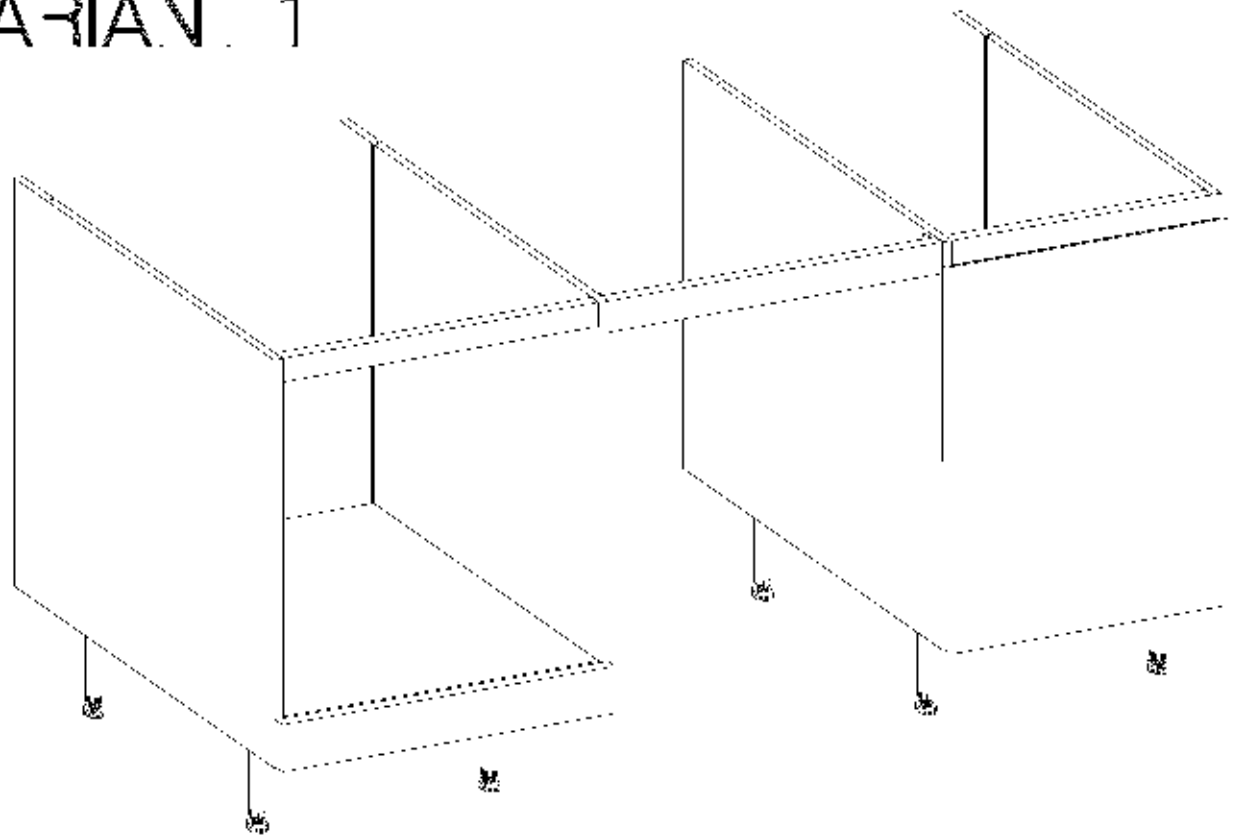


	4.0x16mm
T4	P1
2	8

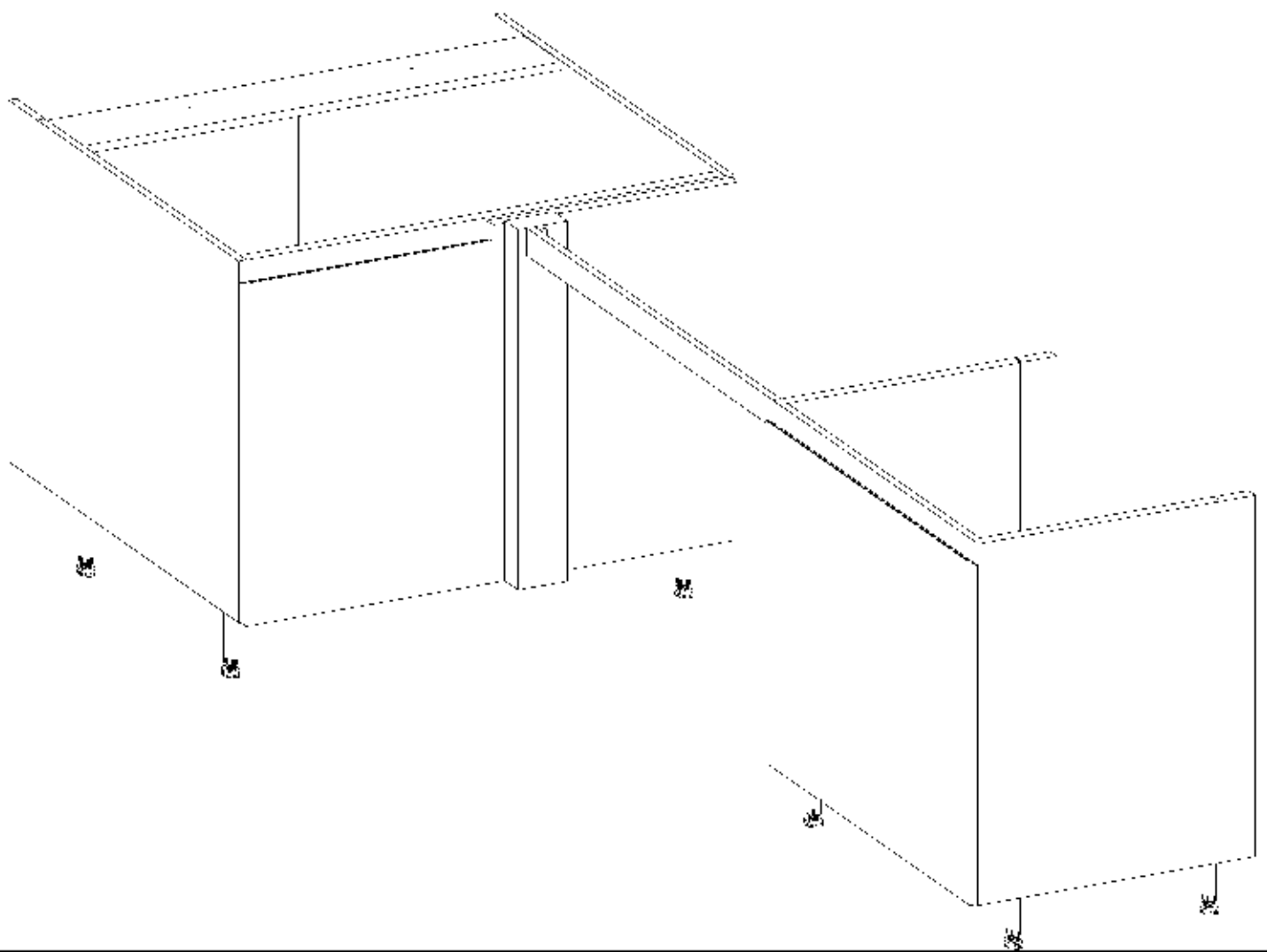
Colli	Spare Part	Dimension
Colli 2/6	KUH.70998	683x596x16
	KUH.90291	599x55x16

ISM-KUH-01721

VARIANT 1

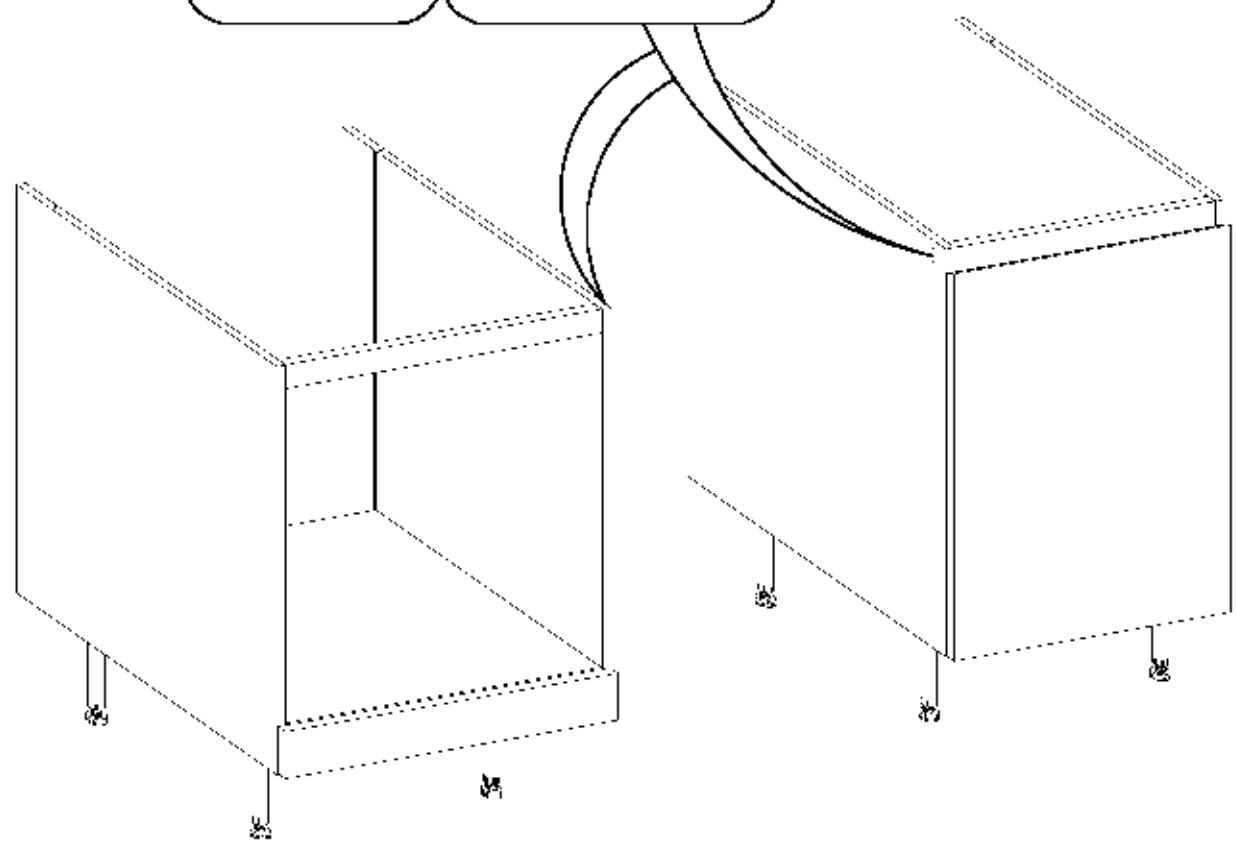
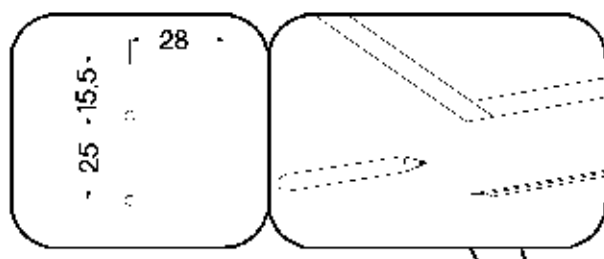


VARIANT 2

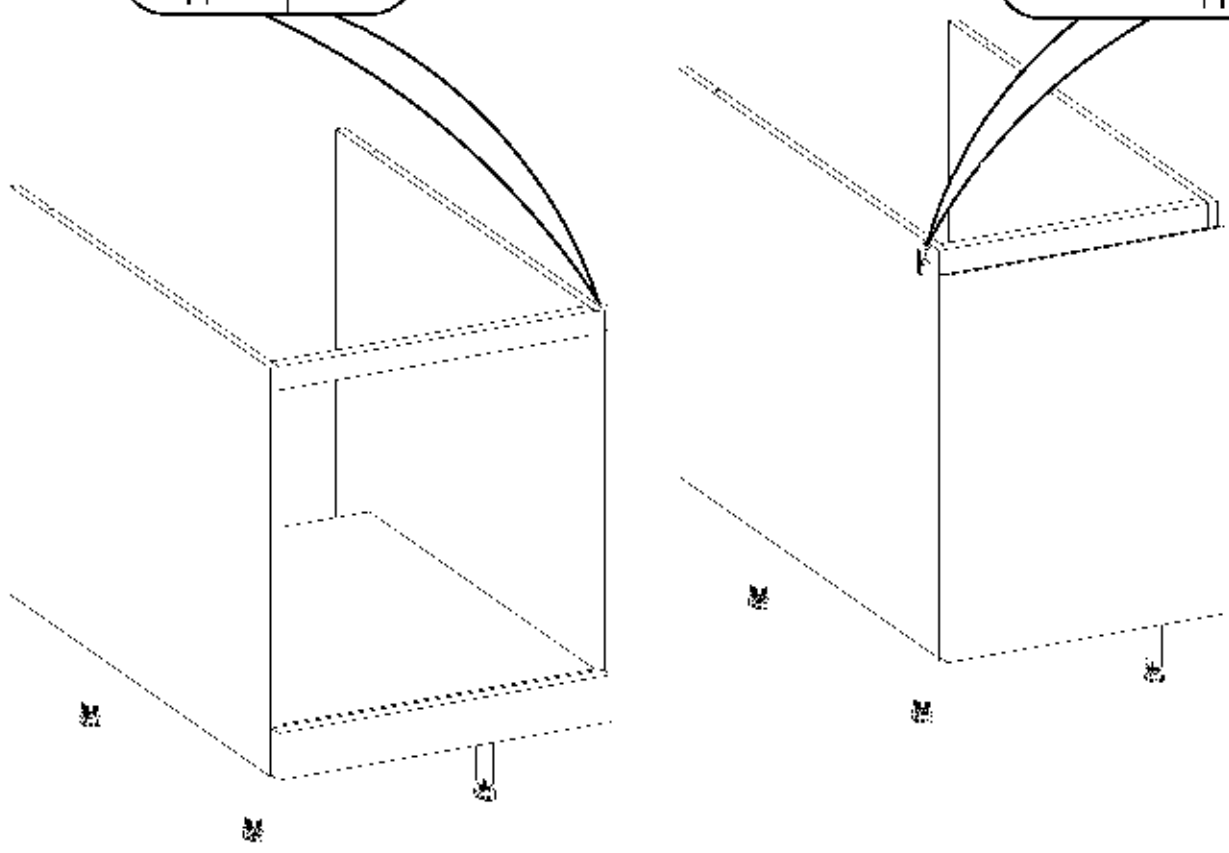
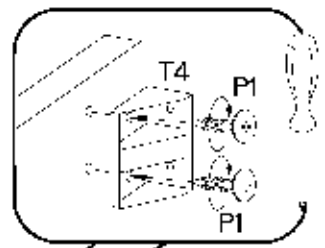
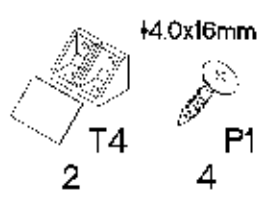
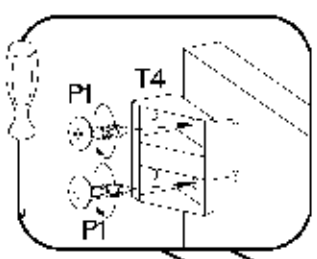


1

VARIANT 1

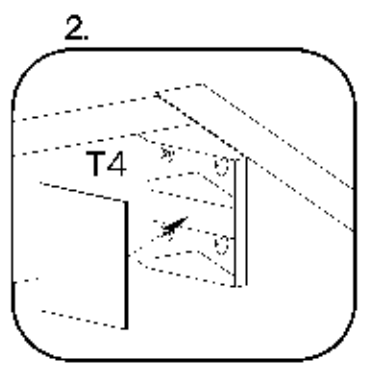
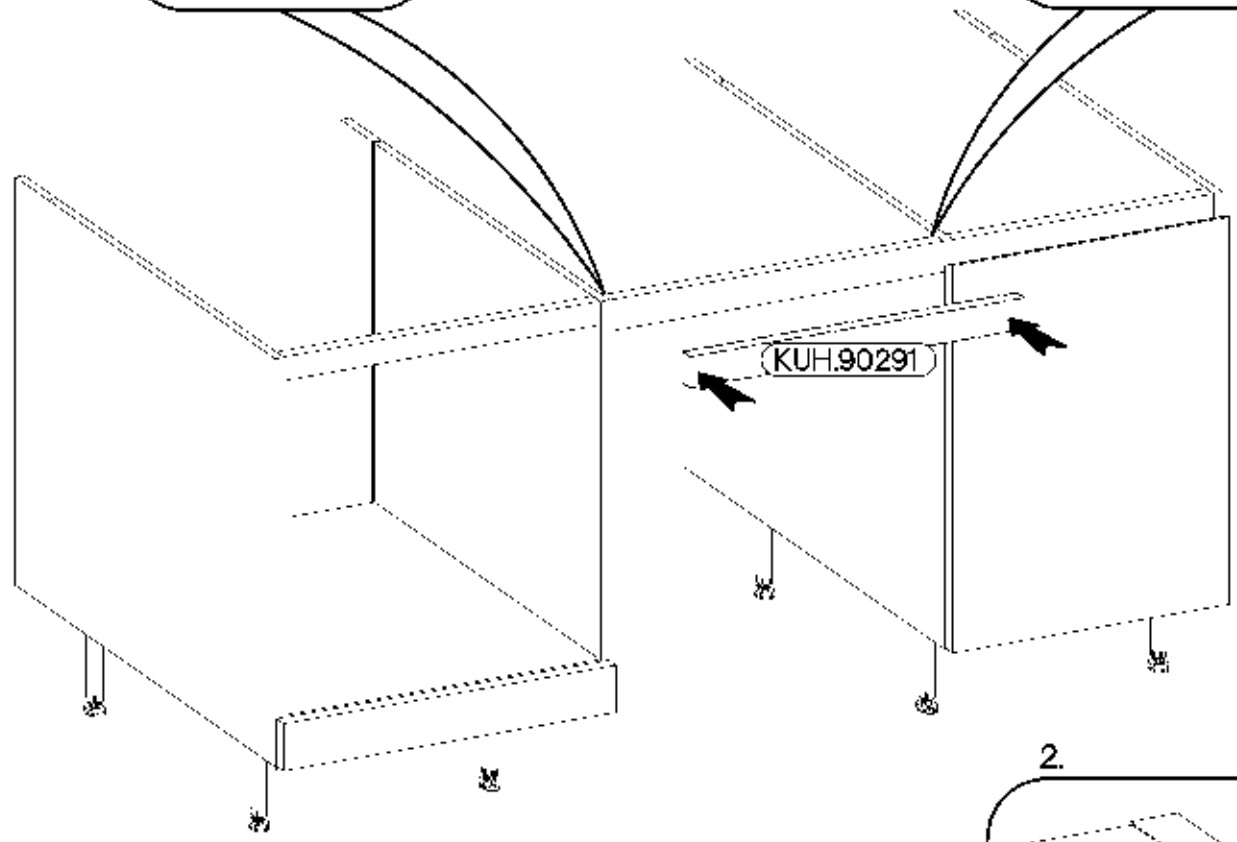
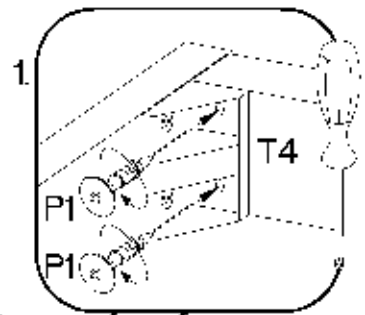
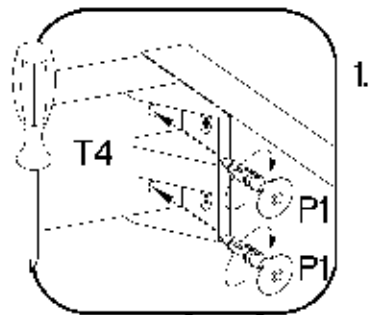


2



3

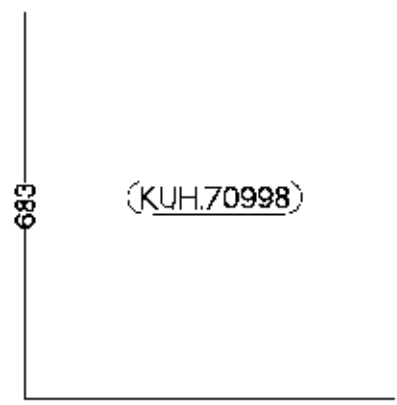
4.0x16mm



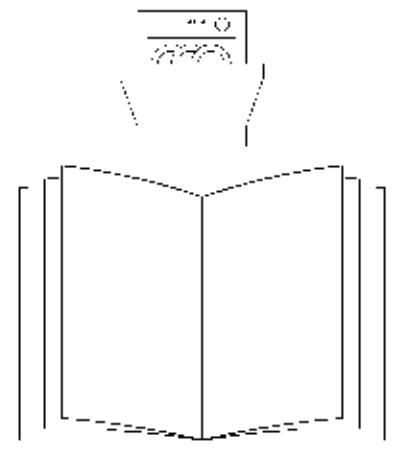
4

FRONT

596

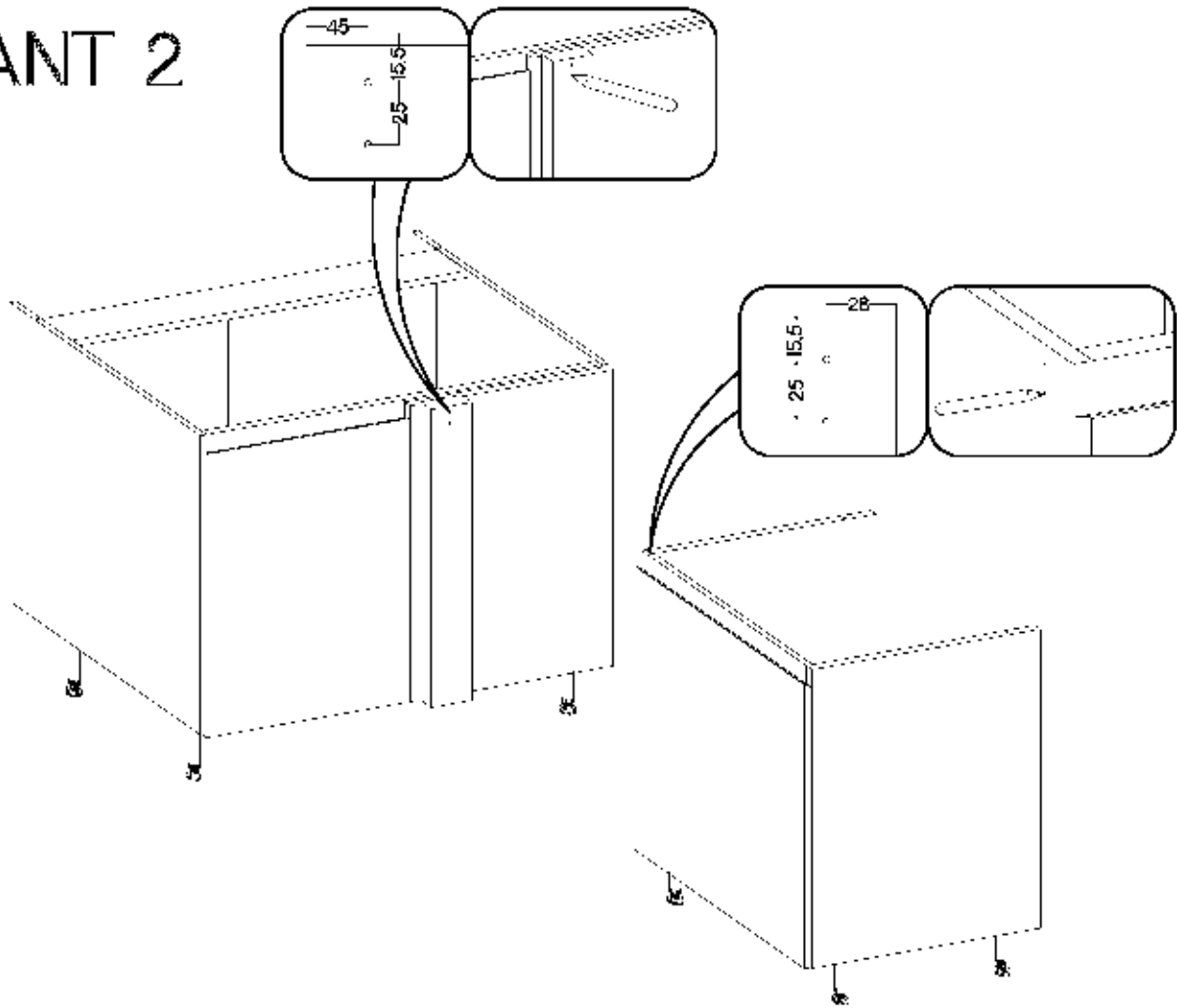


(KUH.70998)





5

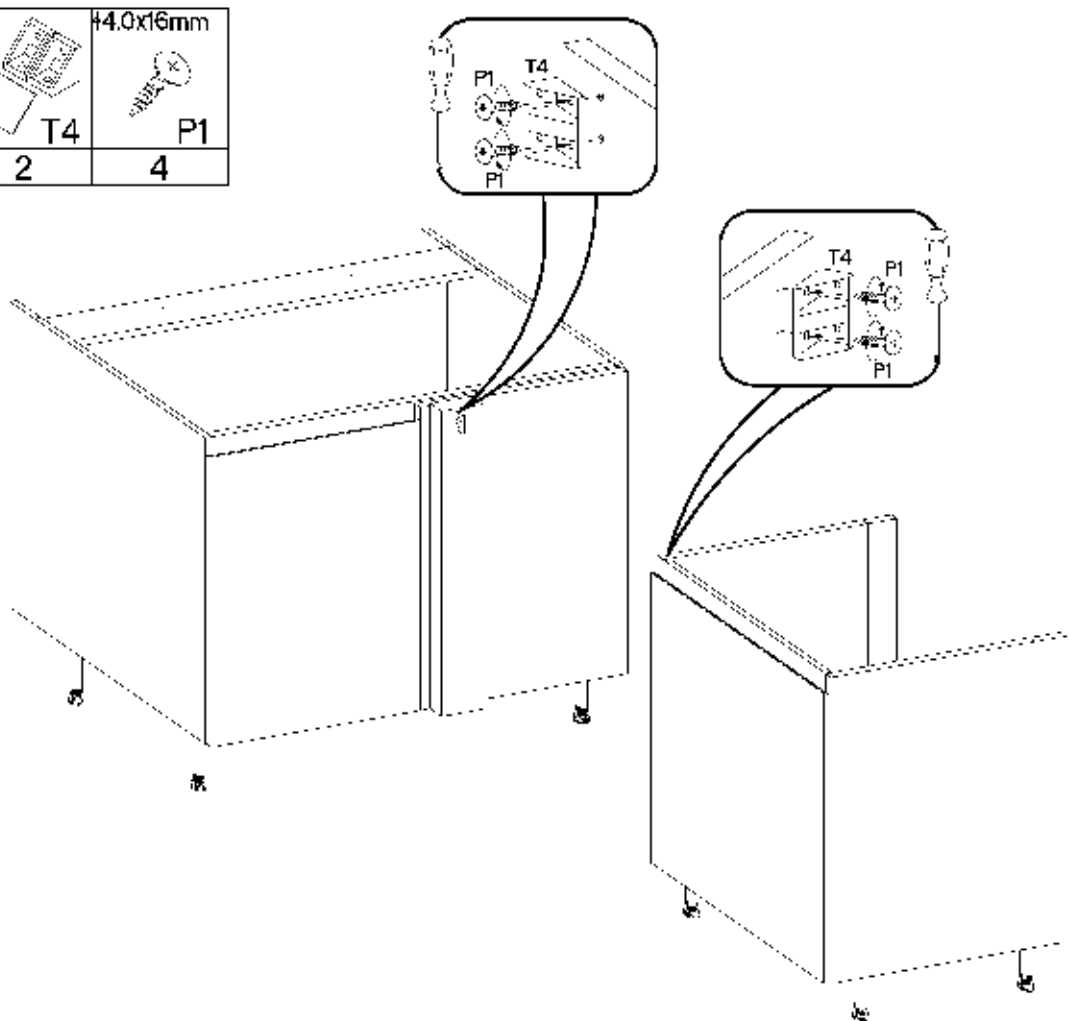
VARIANT 2



6

	
T4	P1
2	4

4.0x16mm



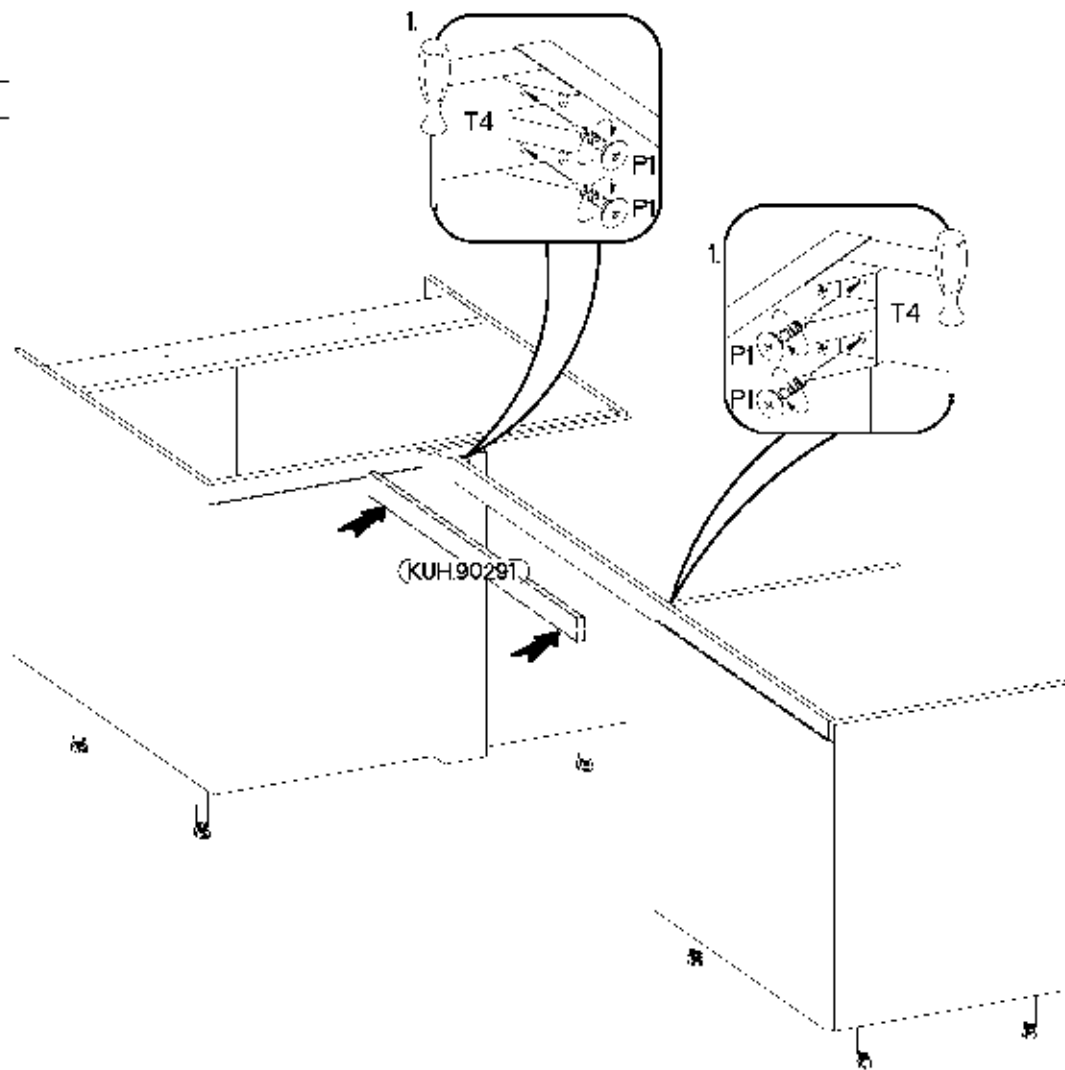
7

4.0x16mm



P1

4



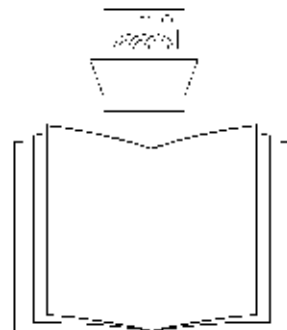
8

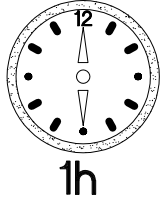
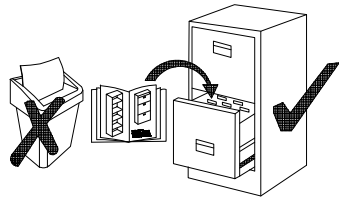
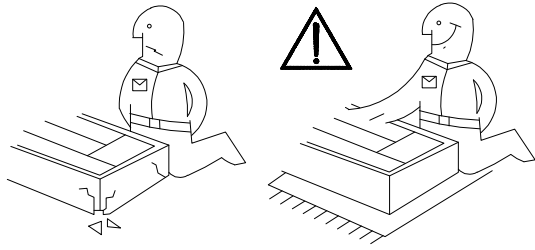
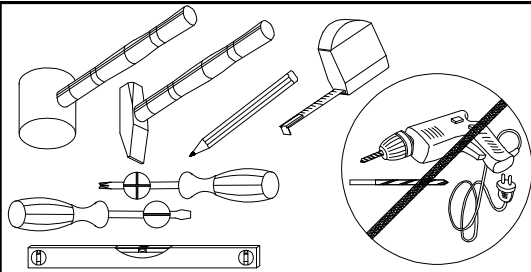
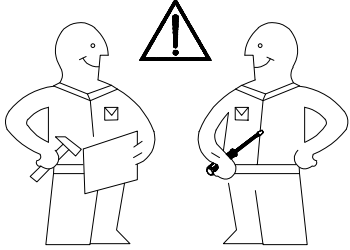
FRONT

596

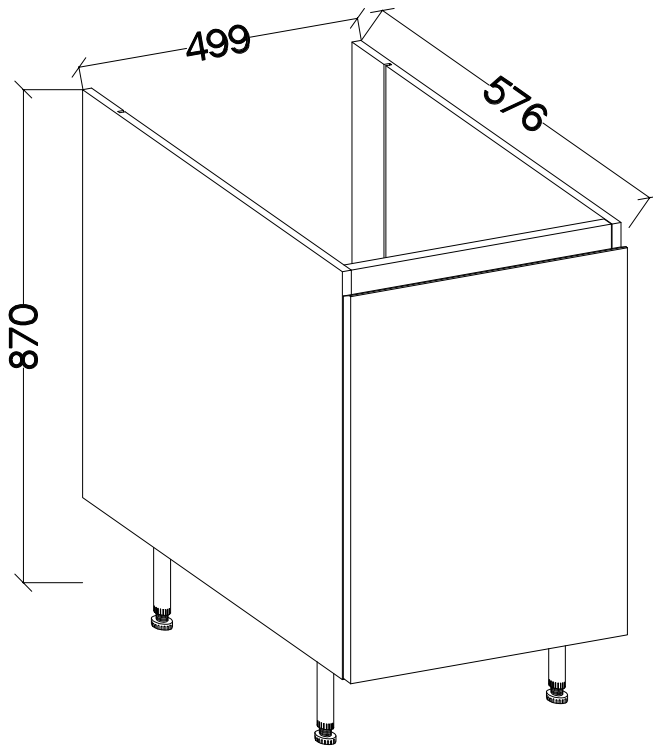
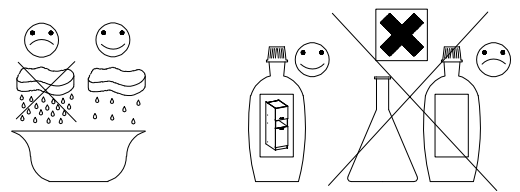
583

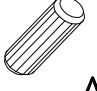




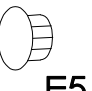



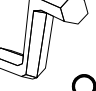

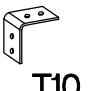
KUH.70998



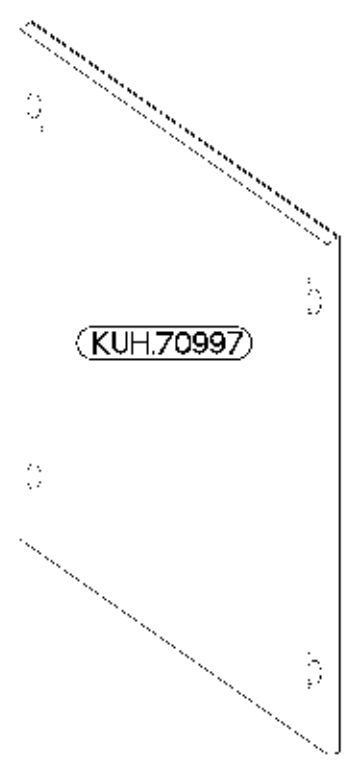
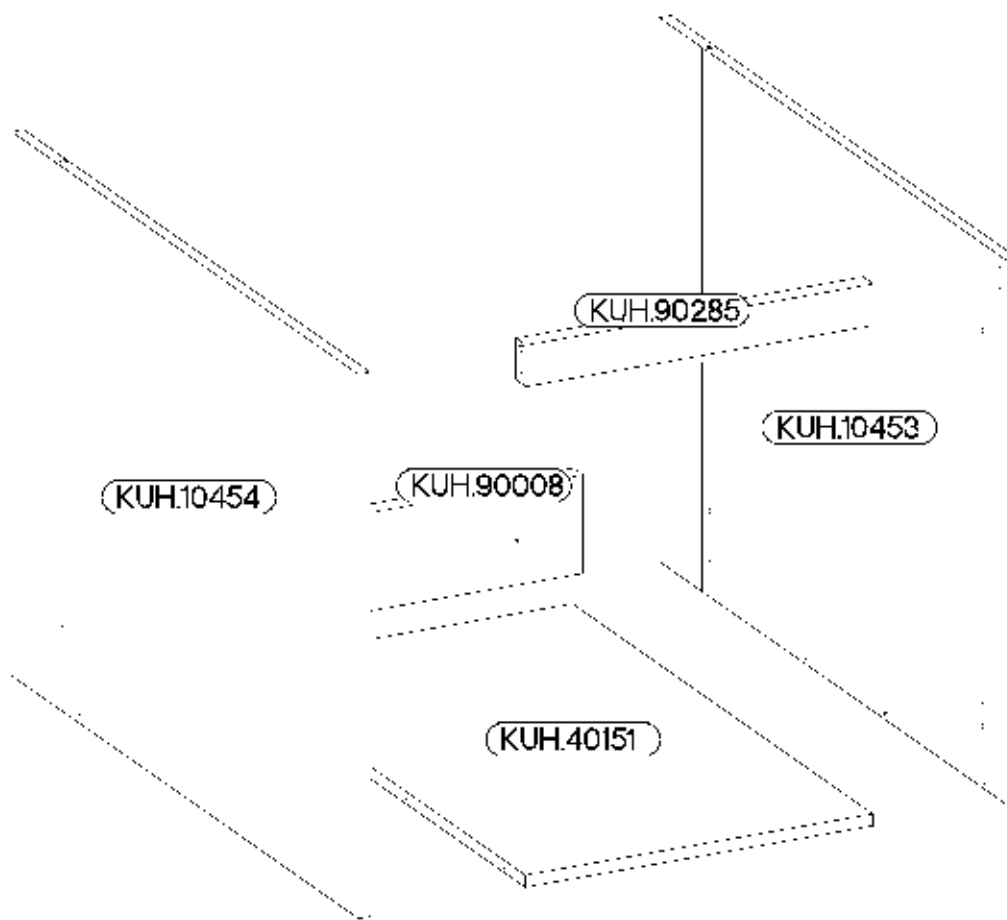


84-200-...
ADANA
Zeile 200
Unterschrank 1T

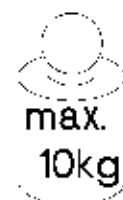


 +8x30mm A	 6,4 x 50mm B	 +15/12mm C	 L=20mm D2	 E1	 +35mm E5
8	6	2	2	6	2
 L=135-170cm F15	 F16	 +35/0mm HG	 O	 +3.5x13mm P5	 T10
4	2	2	1	32	2

ISM-KUH-01722



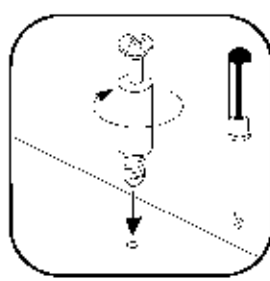
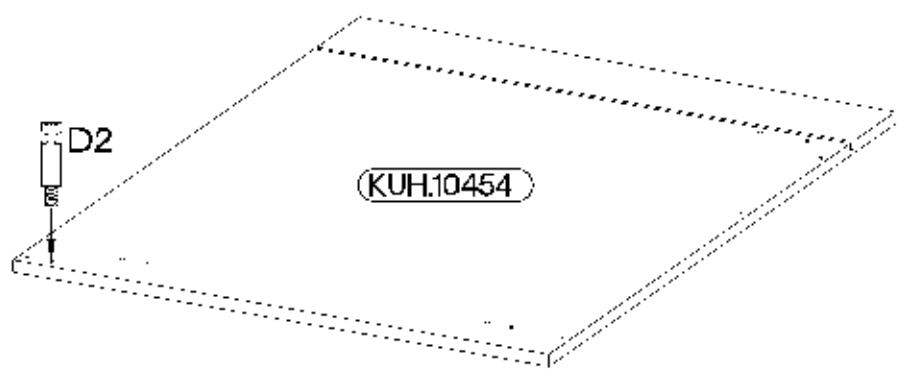
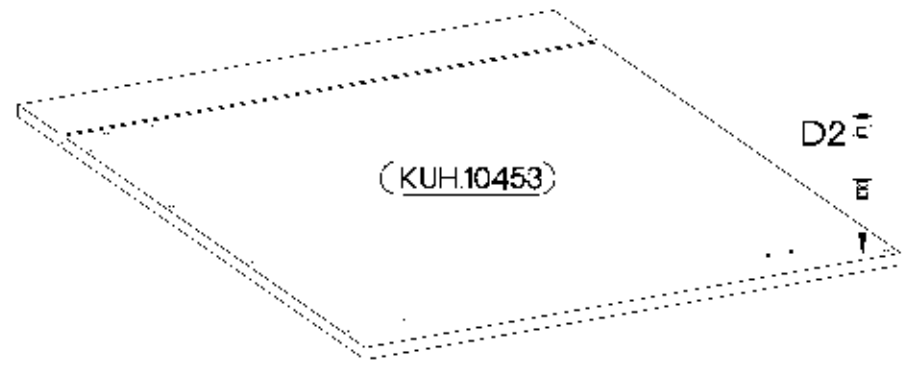
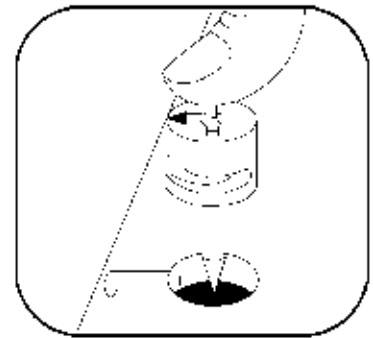
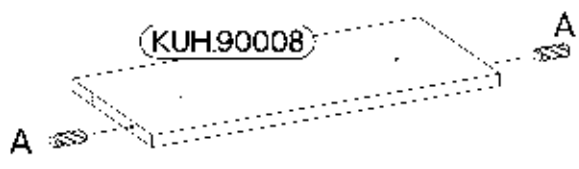
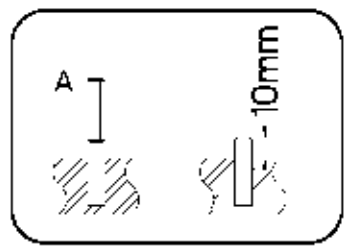
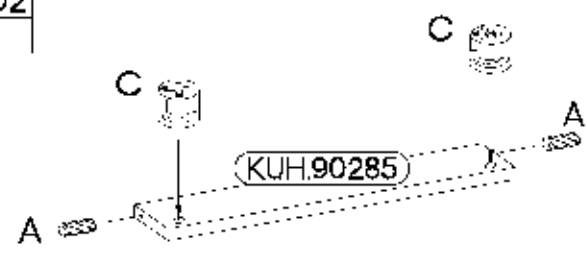
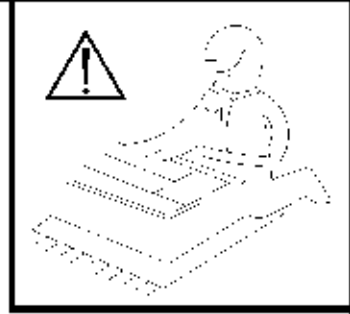
Colli	Spare Part	Dimension
Colli 3/6	KUH.10453	720x560x16
	KUH.10454	720x560x16
	KUH.40151	467x485x16
	KUH.70997	683x496x16
	KUH.90008	467x130x16
	KUH.90285	467x55x16



KUH.40151

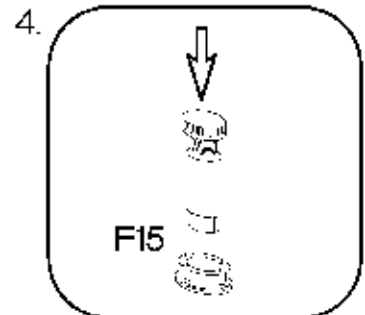
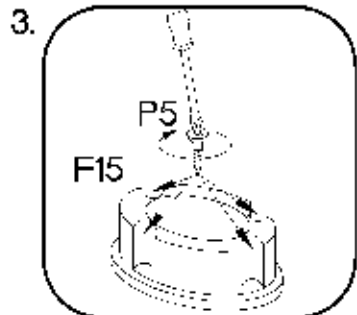
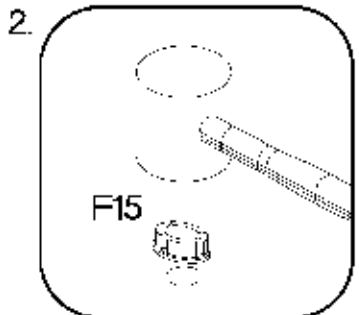
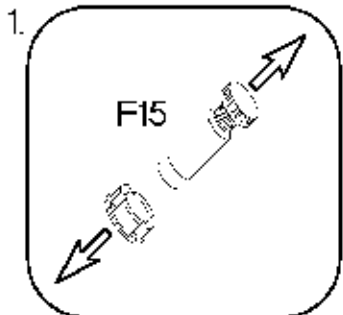
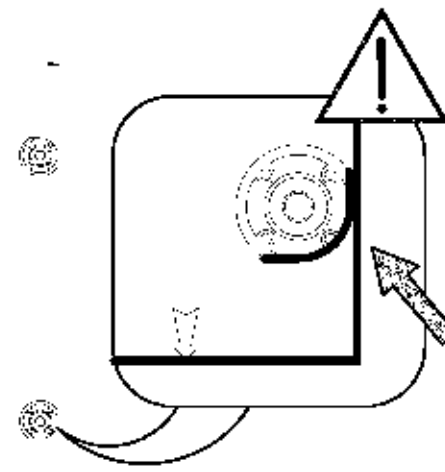
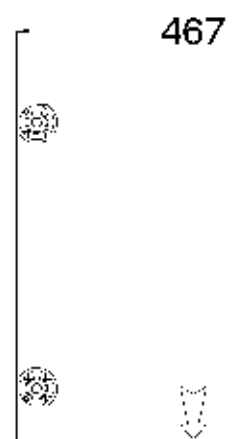
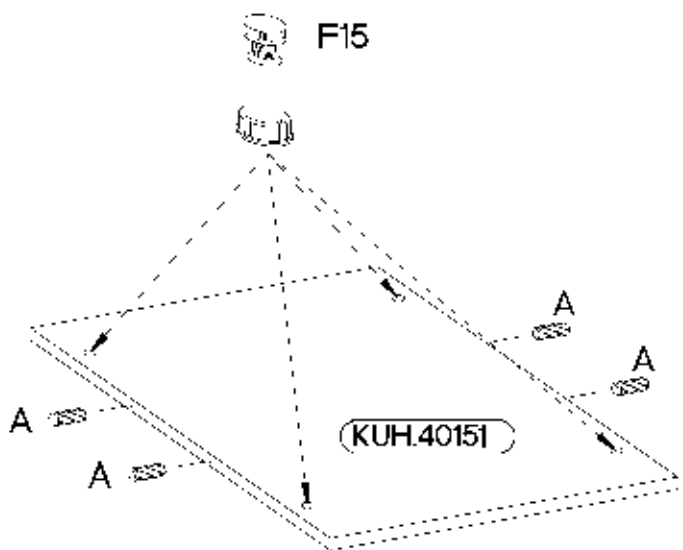
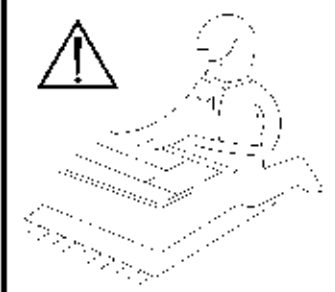


$\varnothing 8 \times 30 \text{mm}$	$\varnothing 15 / 12 \text{mm}$	L-20mm
A	C	D2
4	2	2

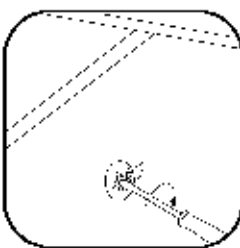
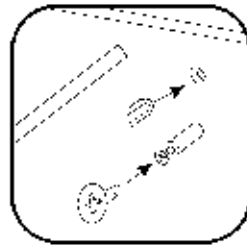
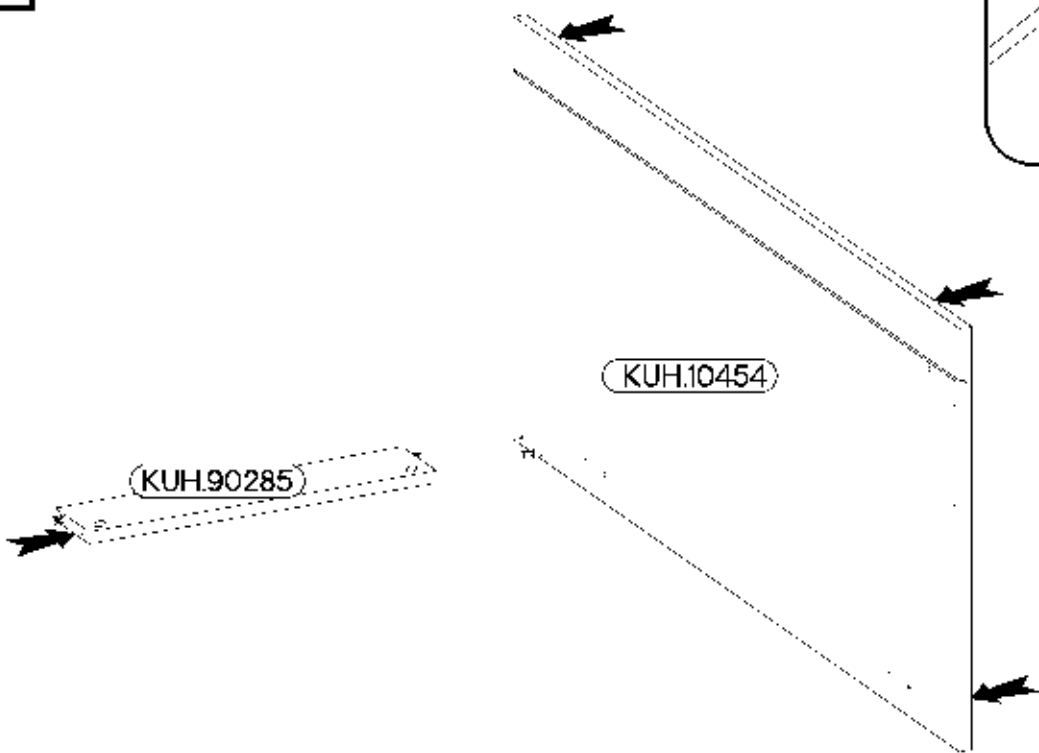


2

•8x30mm L=135 170cm •3.5x13mm

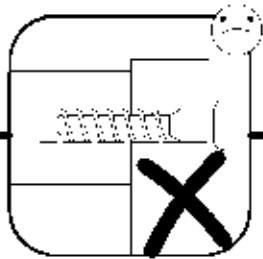
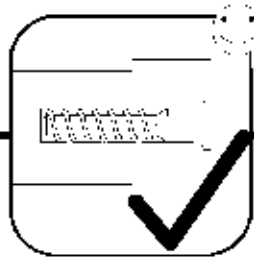
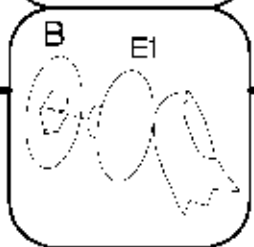
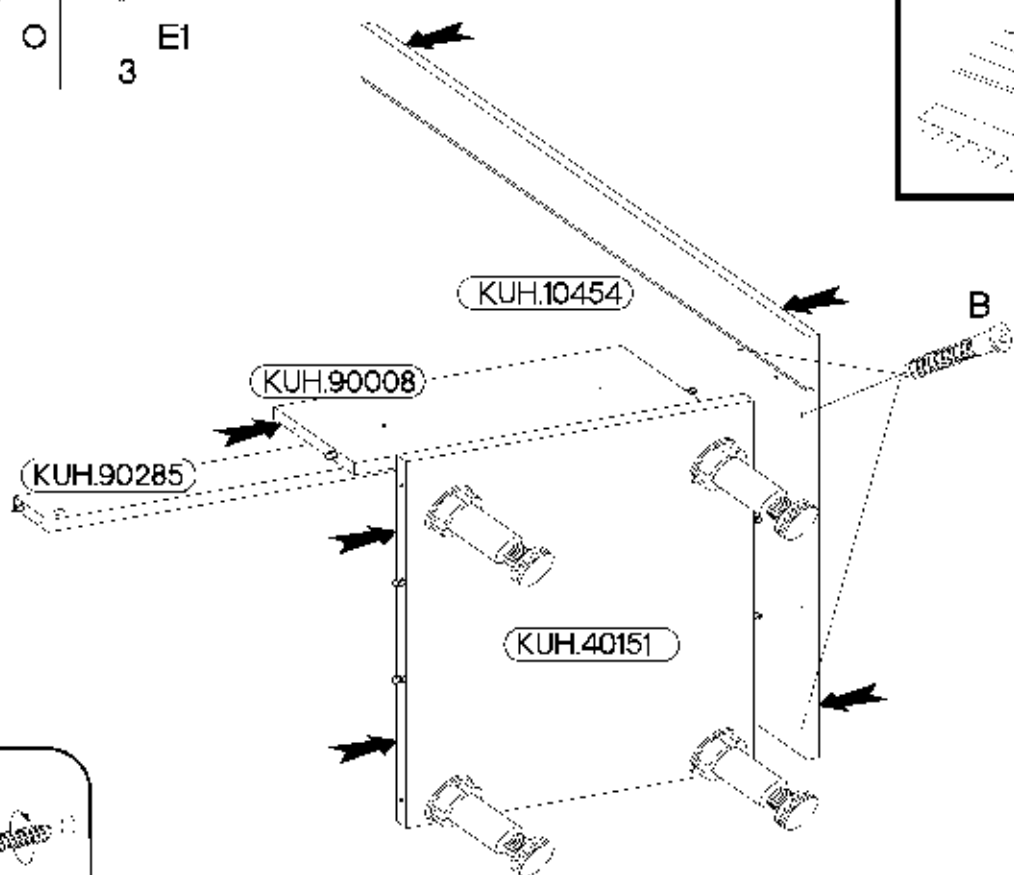
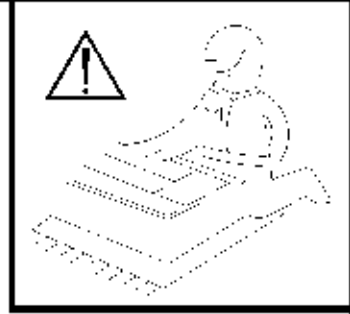
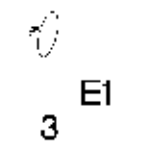
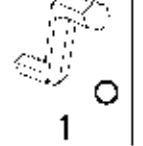
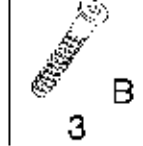


3

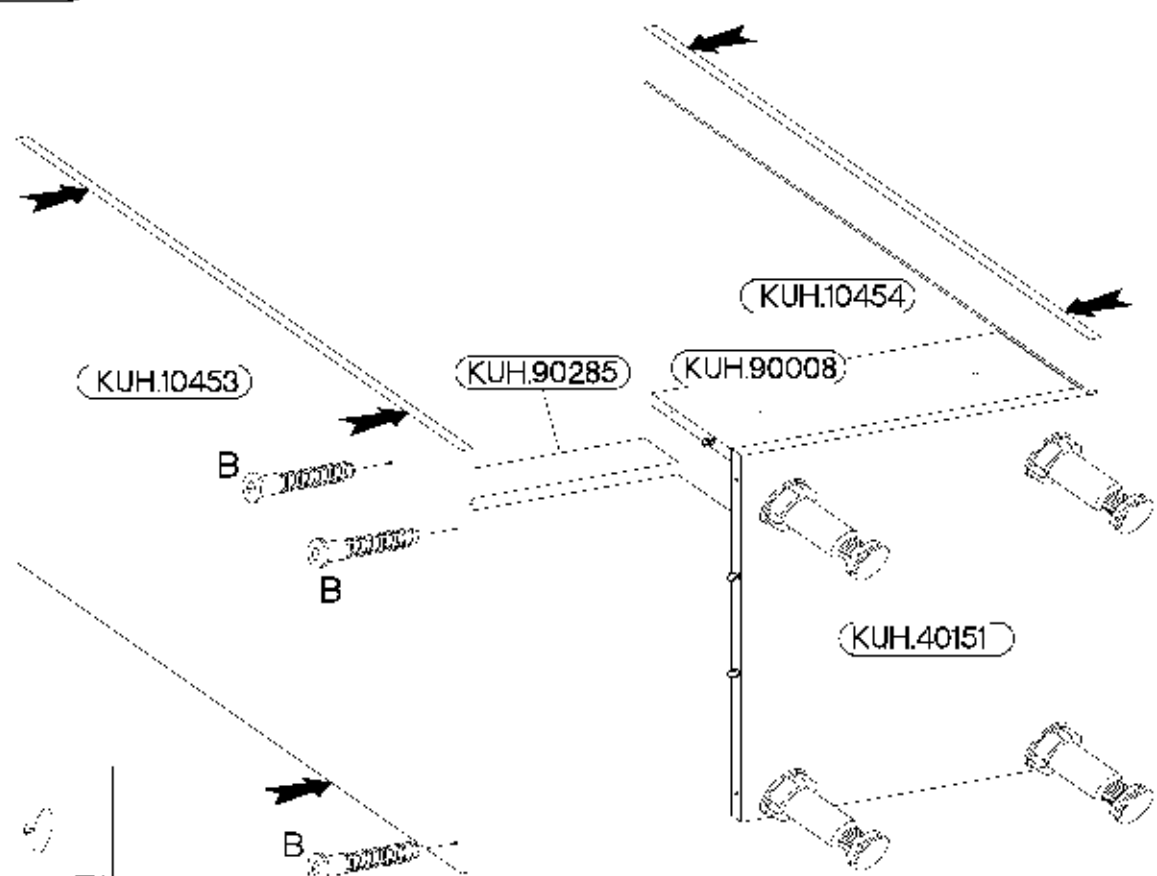
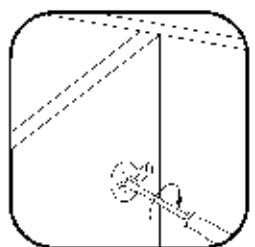
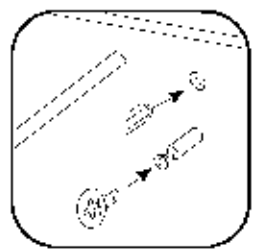


4

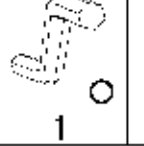
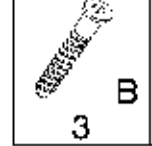
6,4 x 50mm



5

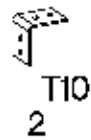


6,4 x 50mm

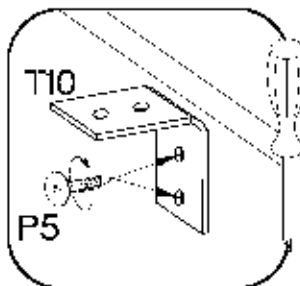


6

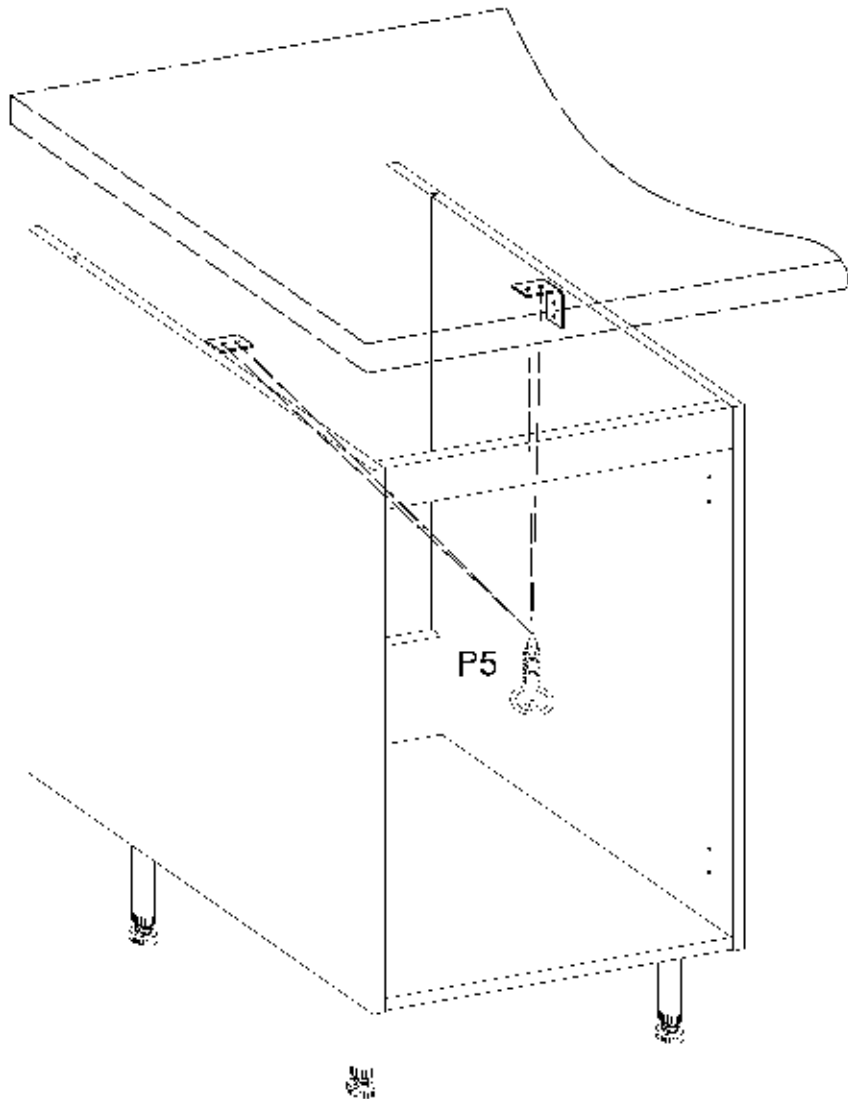
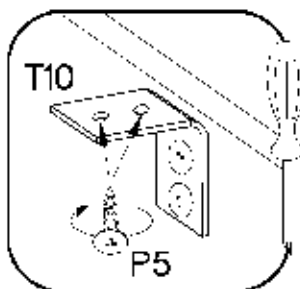
#3.5x13mm



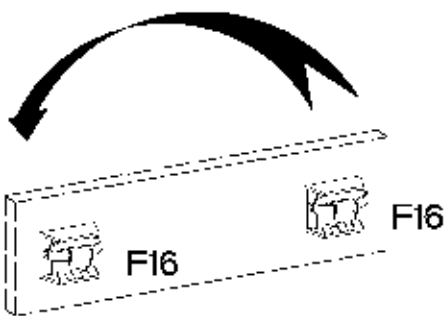
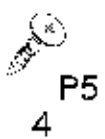
1.



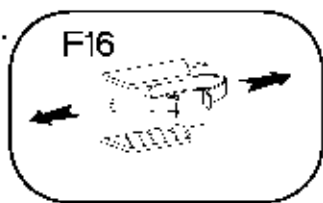
2.

**7**

#3.5x13mm



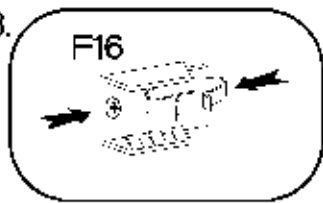
1.



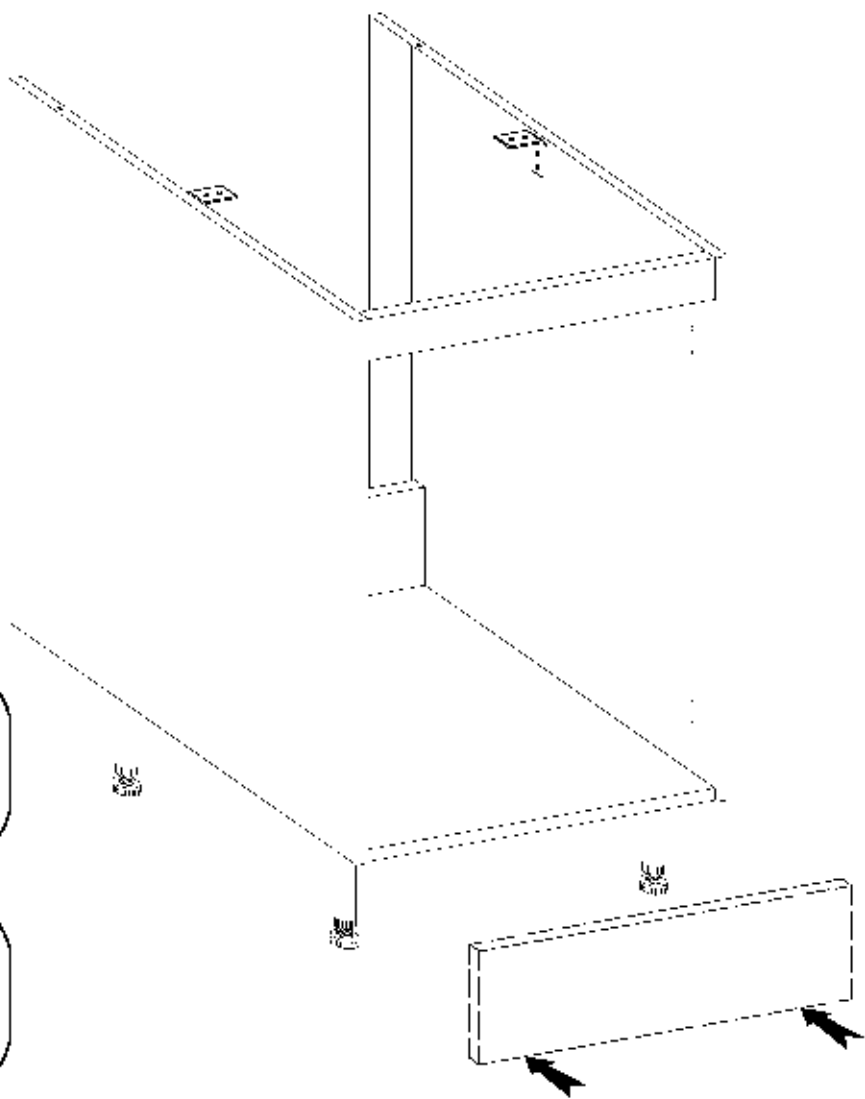
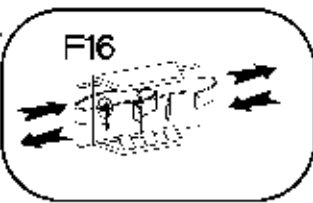
2.



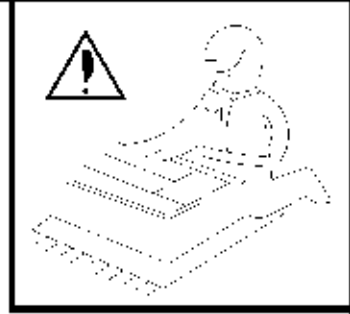
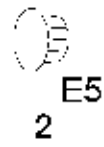
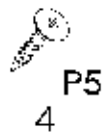
3.



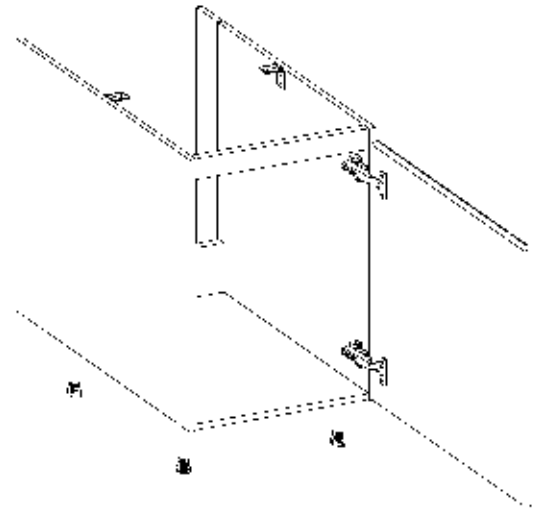
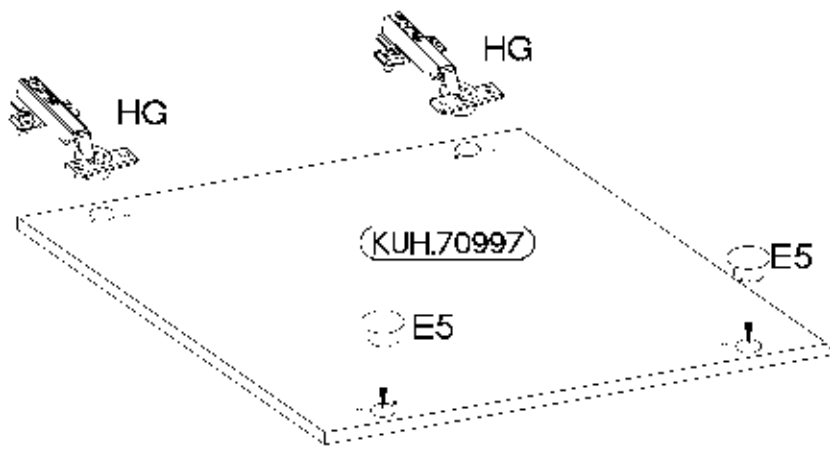
4.



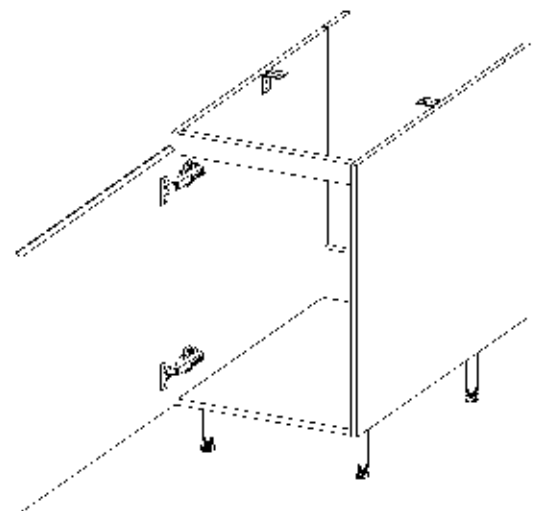
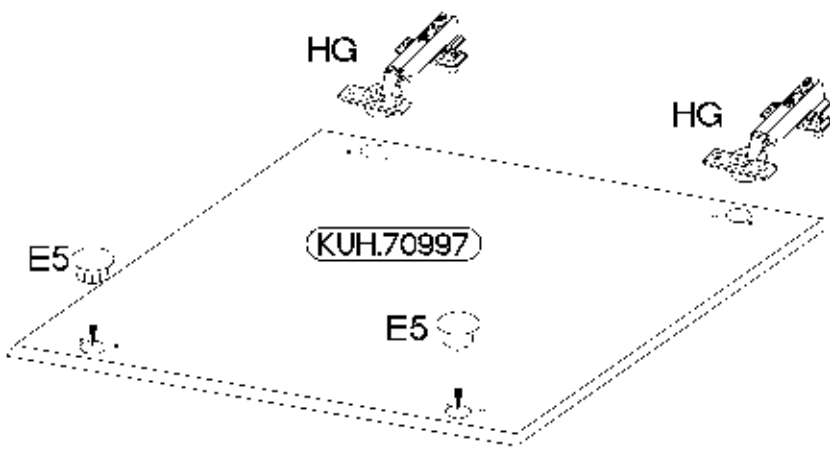
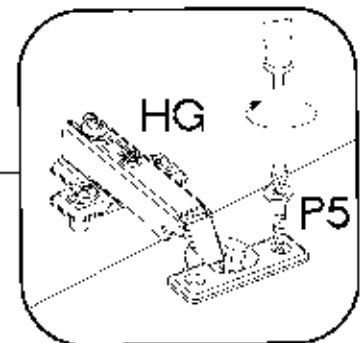
±35/0mm ±3.5x13mm ±35mm

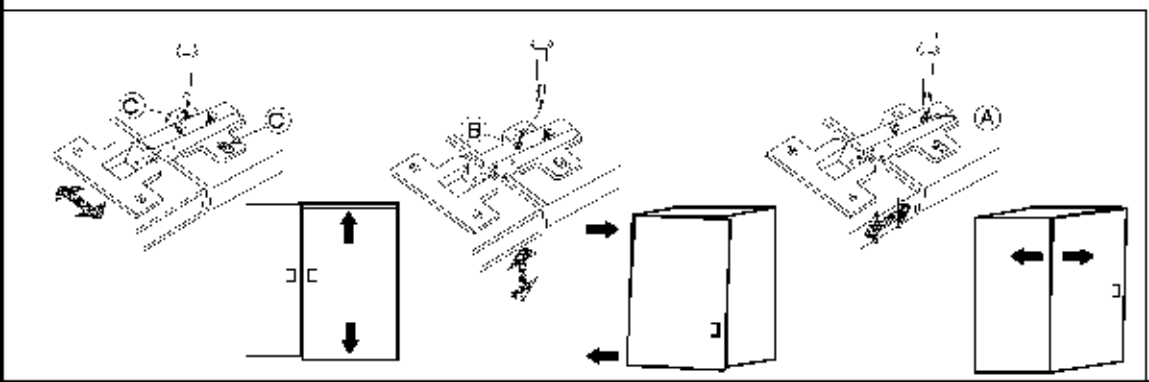
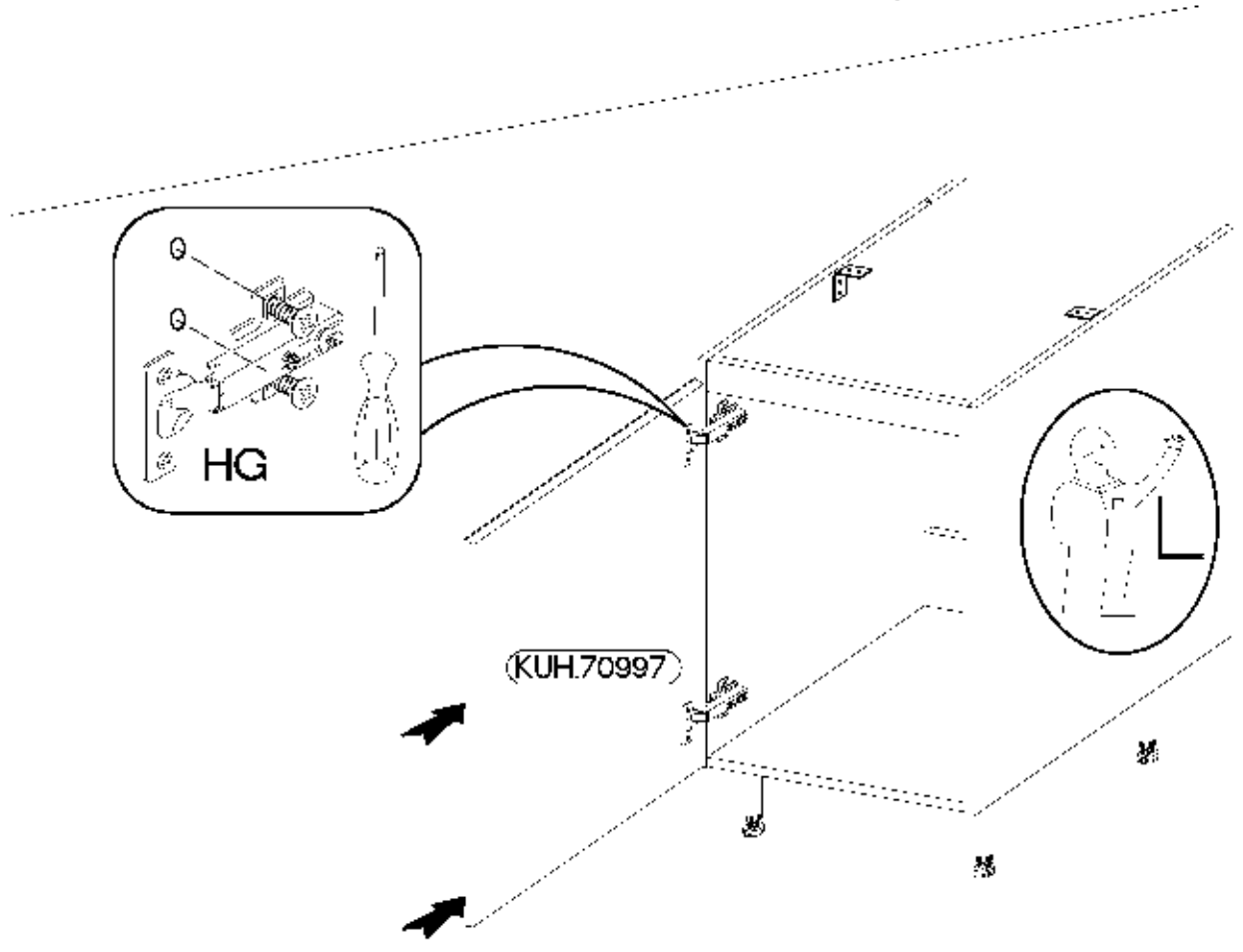
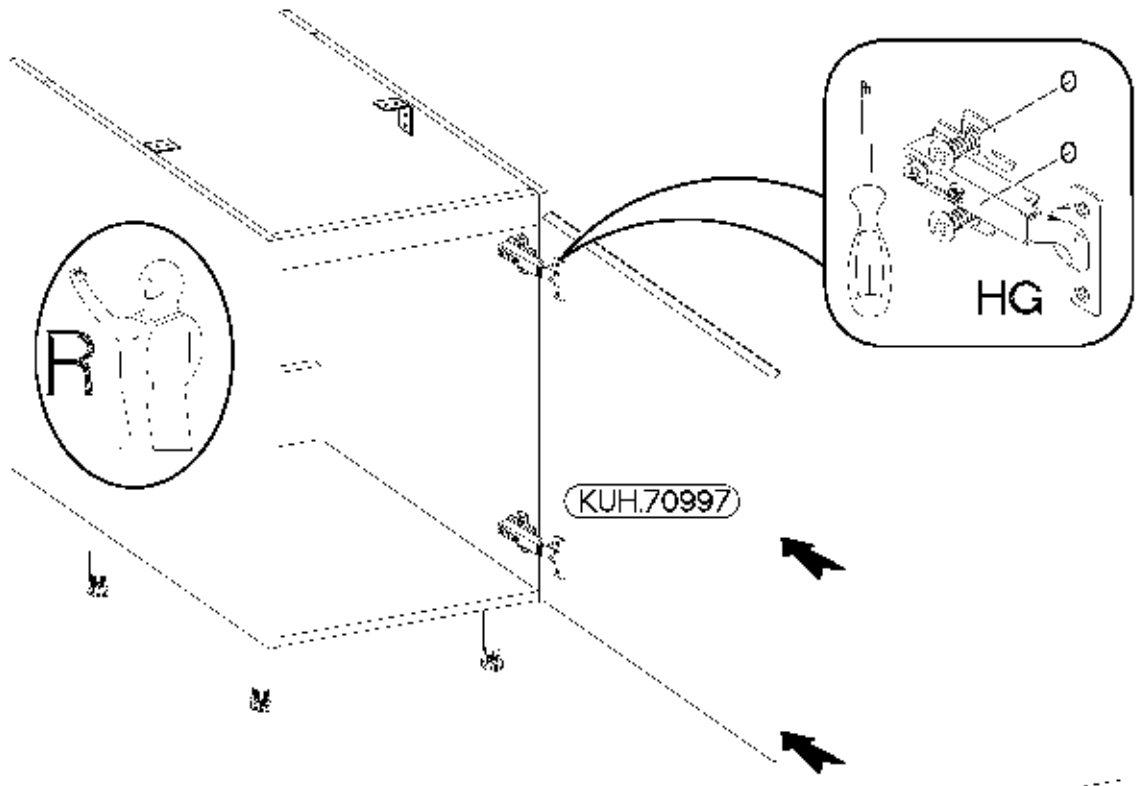


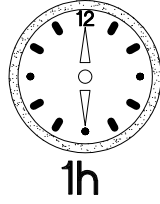
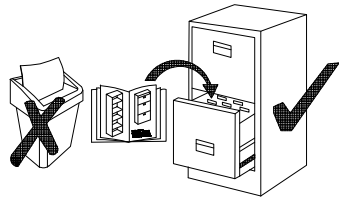
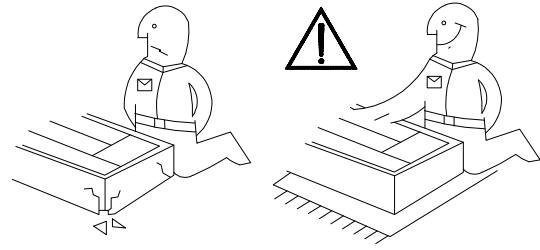
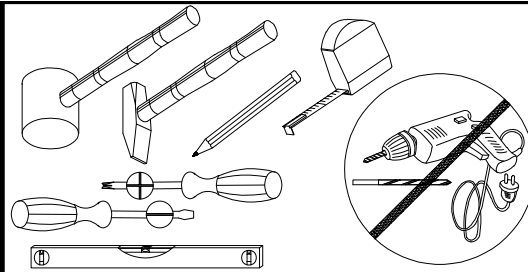
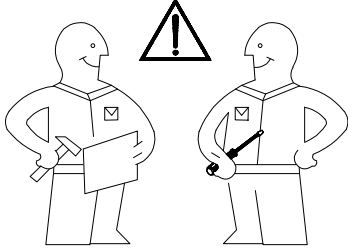
RIGHT



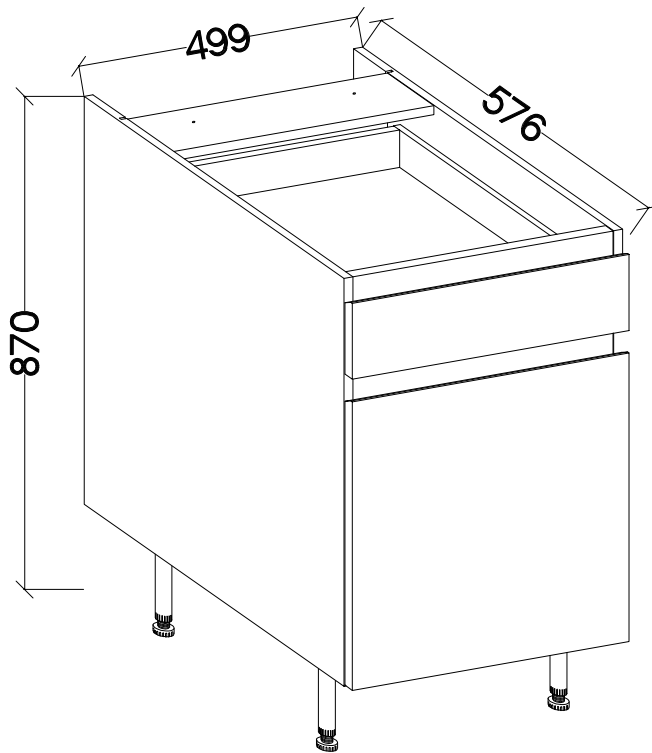
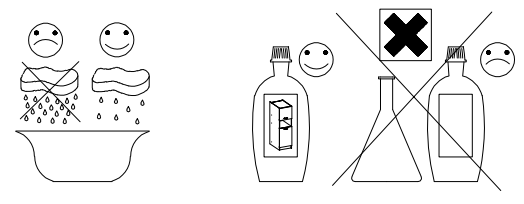
LEFT





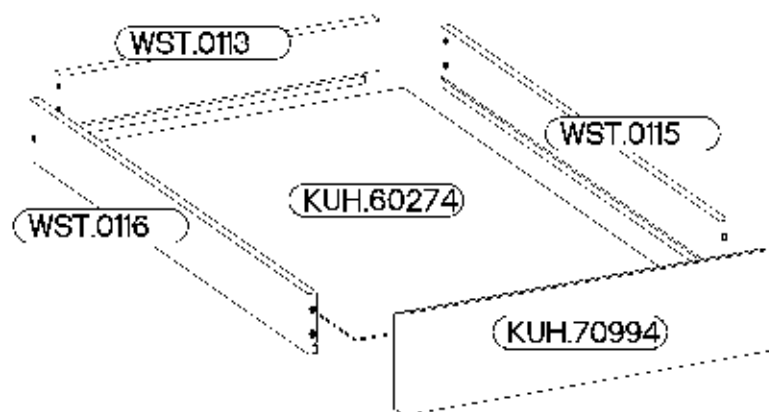
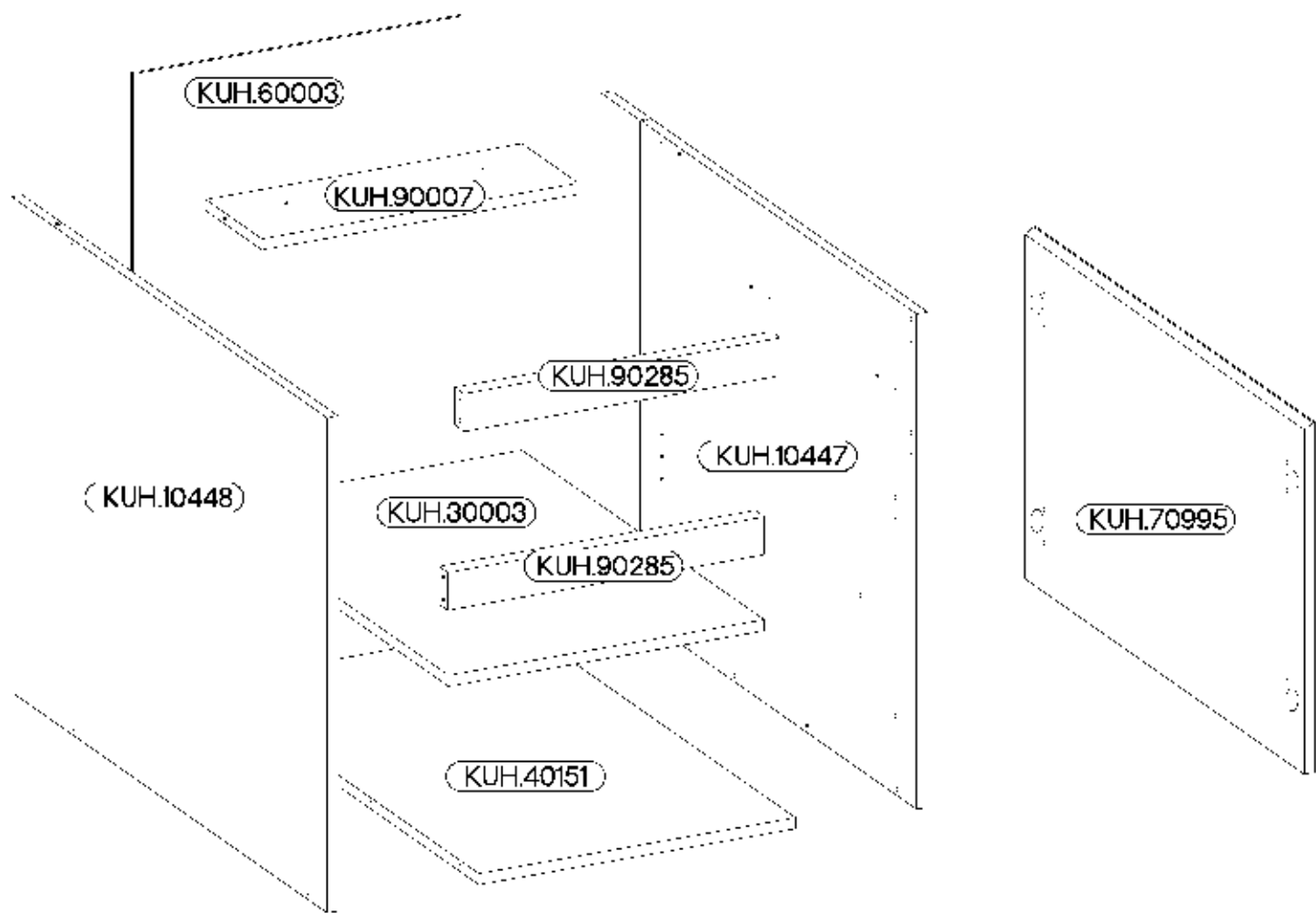


84-200-...
ADANA
Zeile 200
Unterschrank



A +8x30mm	B 6,4 x 50mm	B2 +6x42mm	C +15/12mm	C5 +12/10mm	D2 L=20mm	
14	6	2	4	2	6	
E1	E5 +35mm	F15 L=135-170cm	F16	HG +35/0mm	L R L=450mm	J3 +5/16mm
6	2	4	6	2	1	4
L	M2 +6.3x13mm	O	P5 +3.5x13mm	P7 +3.0x20mm	R3 +4.0x35mm	T10
2	8	1	36	12-15	2	2

ISM-KUH-01719



Colli	Spare Part	Dimension
Colli 1/6	KUH.10447	720x560x16
	KUH.10448	720x560x16
	KUH.30003	466x430x16
	KUH.40151	467x485x16
	KUH.60003	713x485x2,5
	KUH.60274	448x437x2,5
	KUH.70994	134x496x16
	KUH.70995	509x496x16
	KUH.90007	467x100x16
	KUH.90285 x2	467x55x16
	WST.0113	427x80x12
	WST.0115	450x80x12
WST.0116	450x80x12	



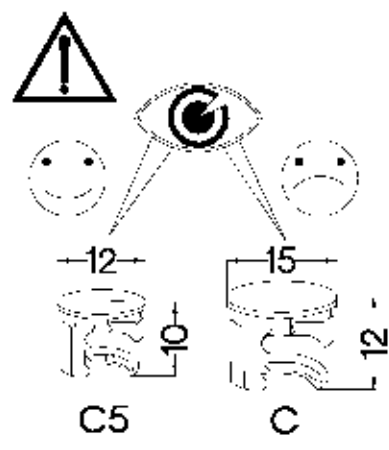
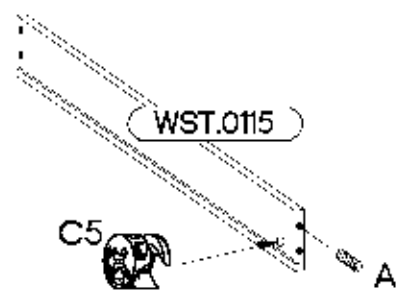
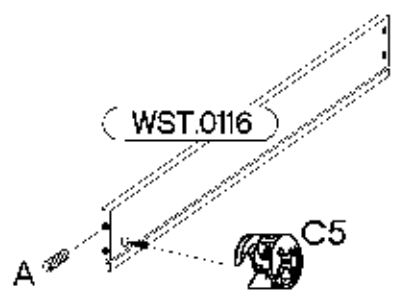
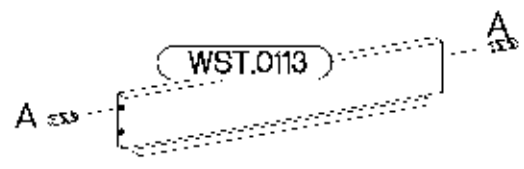
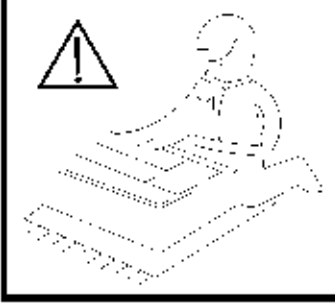
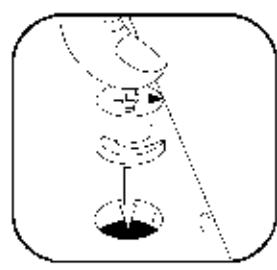
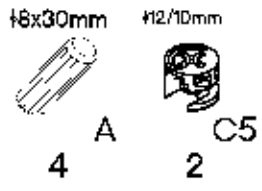
KUH.60274



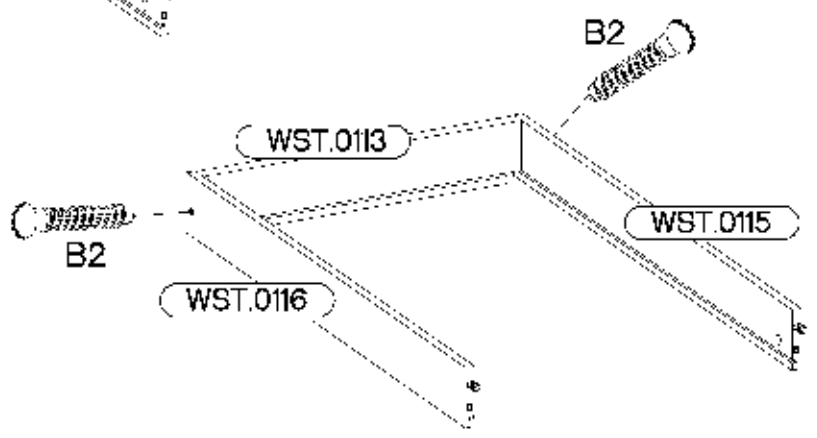
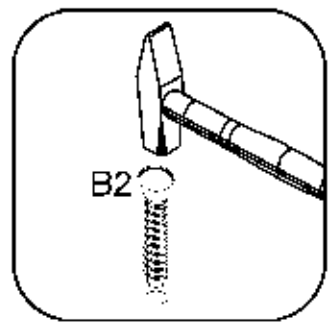
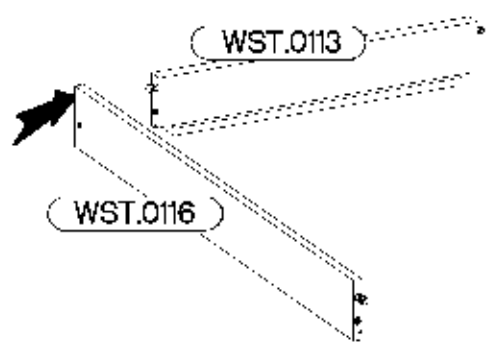
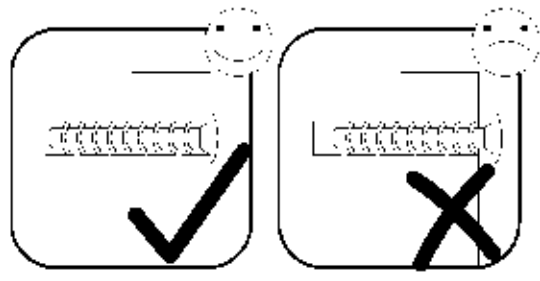
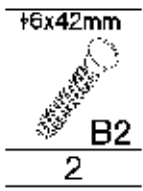
KUH.30003

KUH.40151

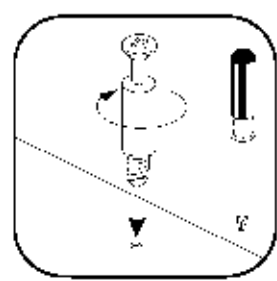
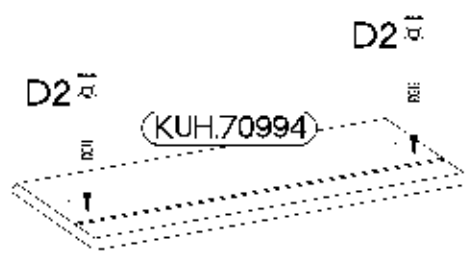
1



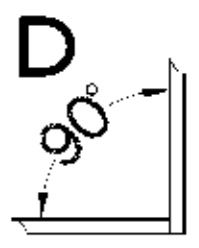
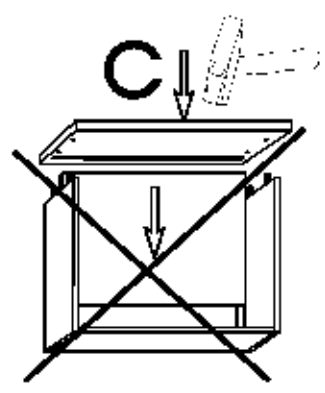
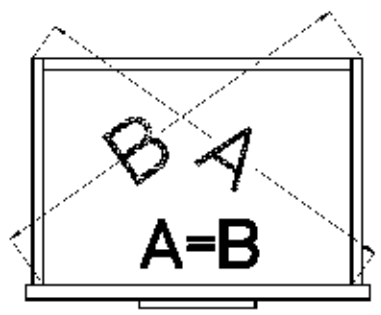
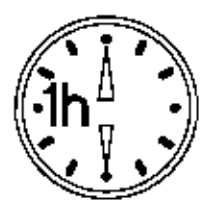
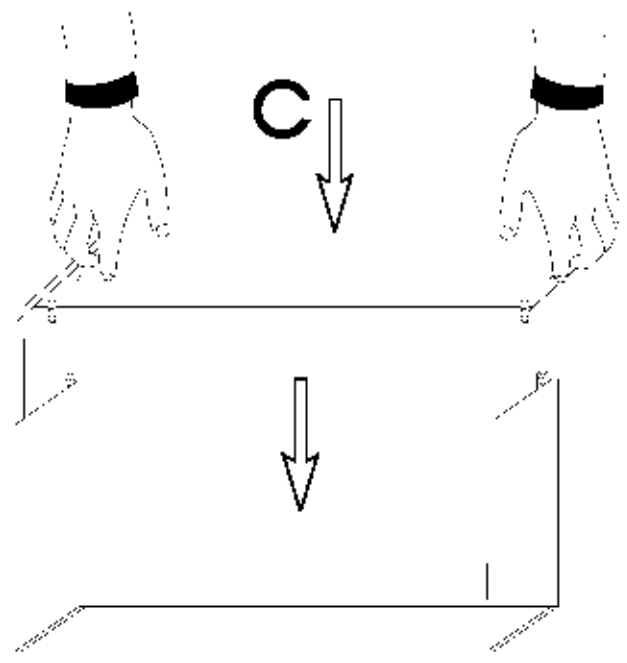
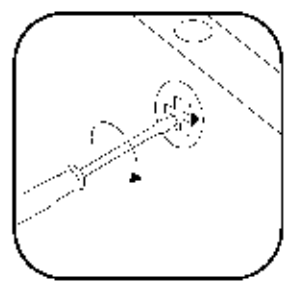
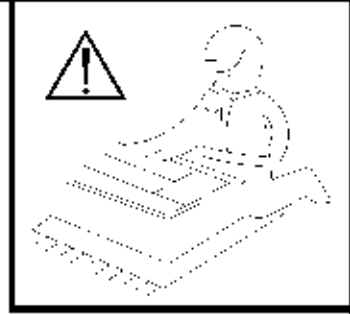
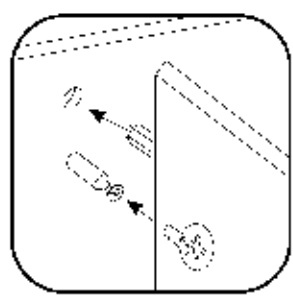
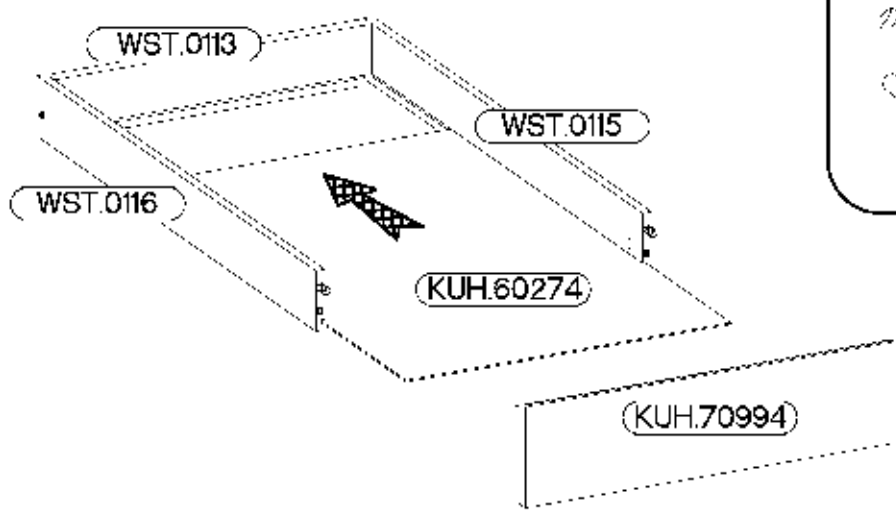
2



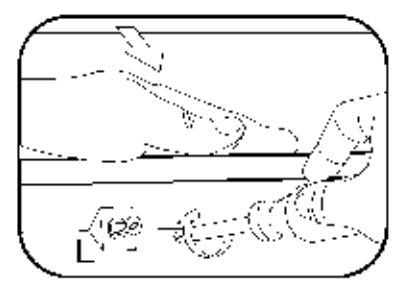
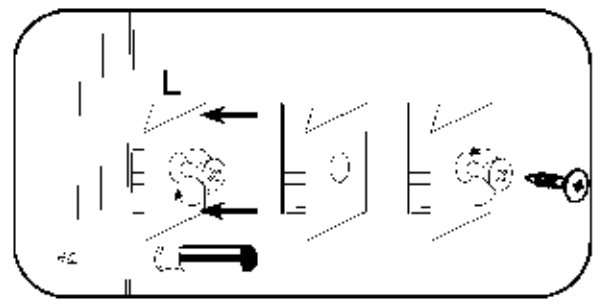
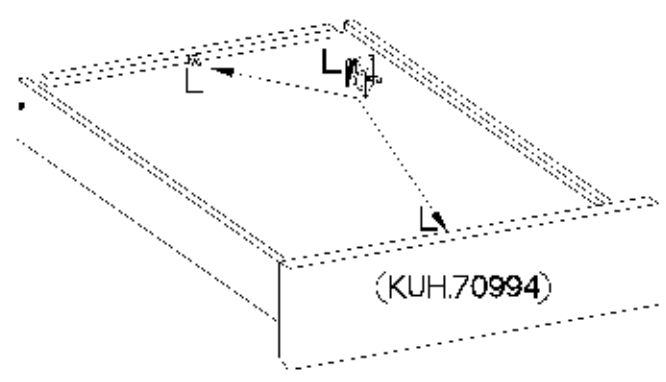
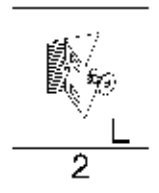
3



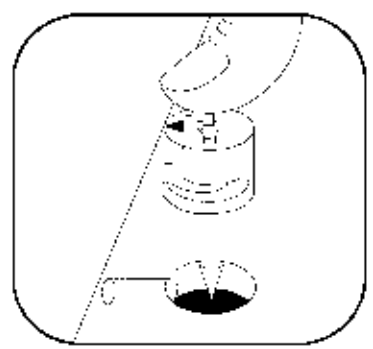
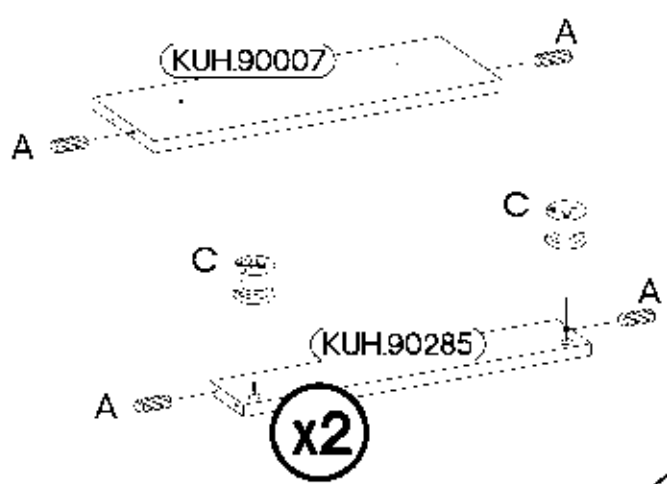
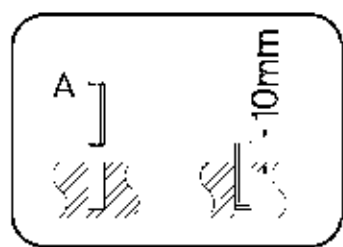
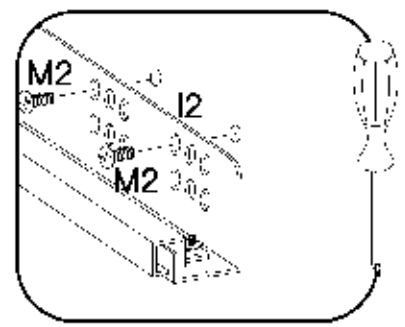
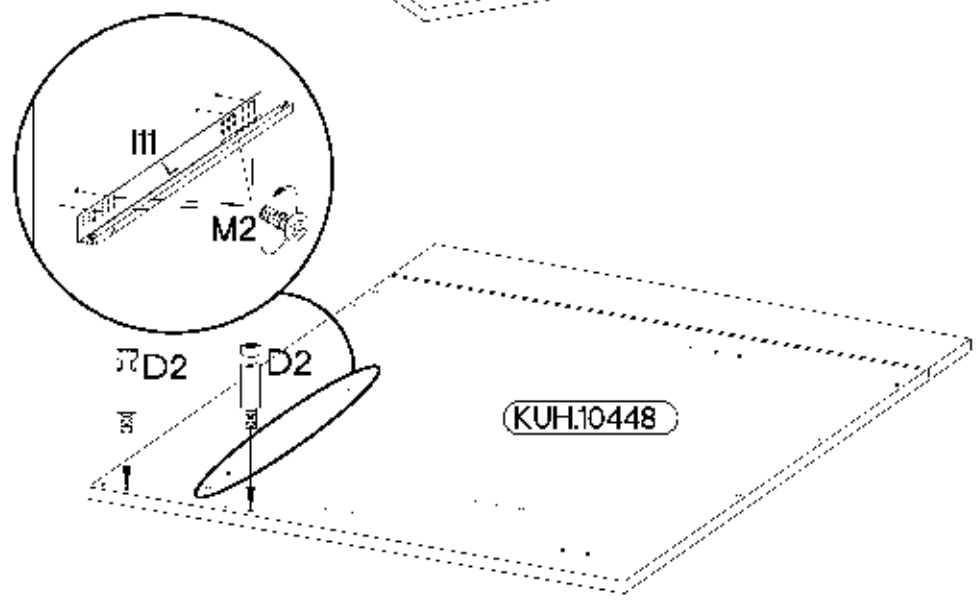
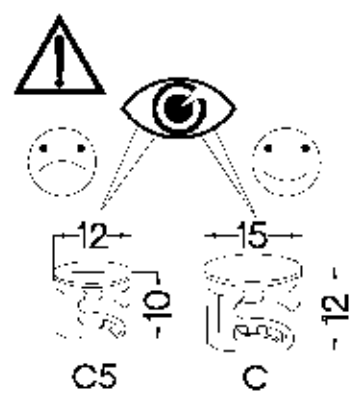
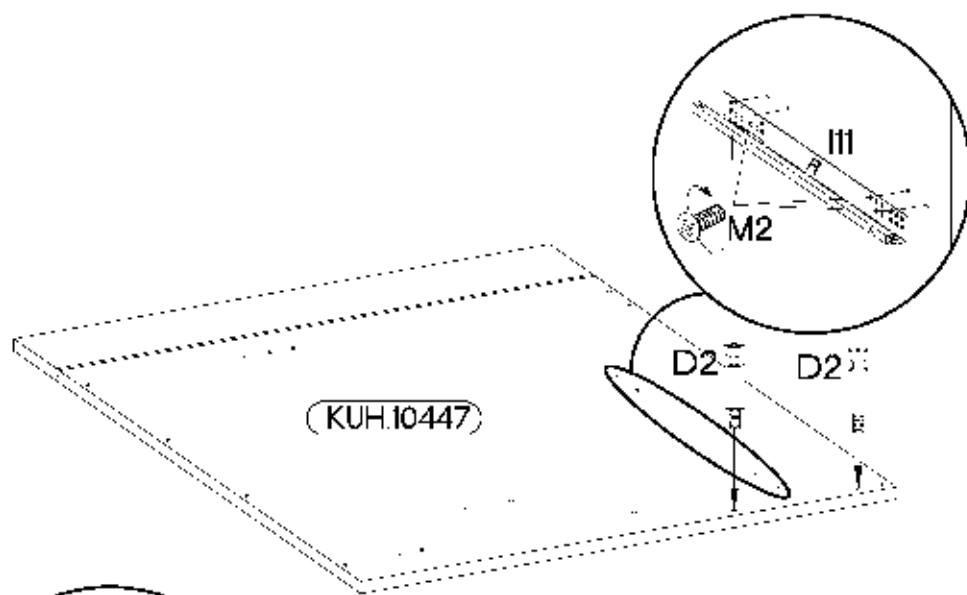
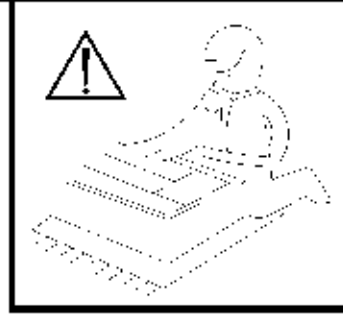
4



5

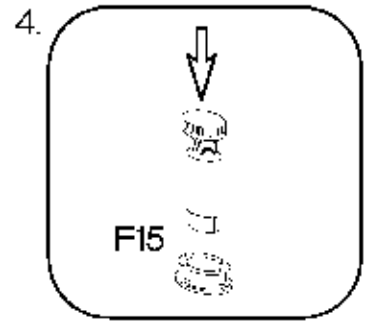
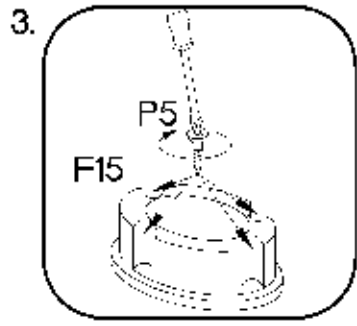
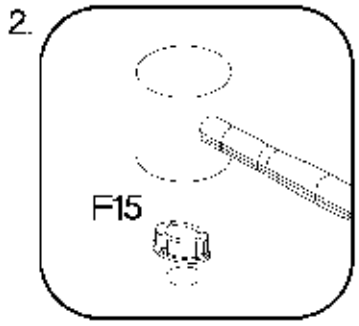
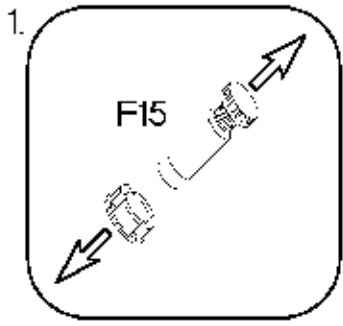
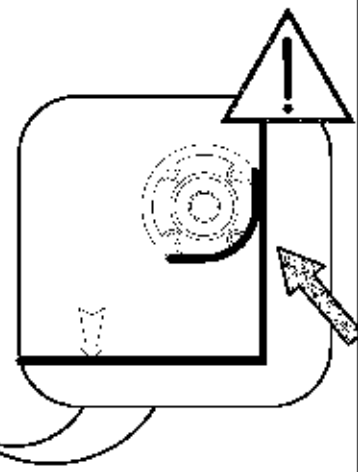
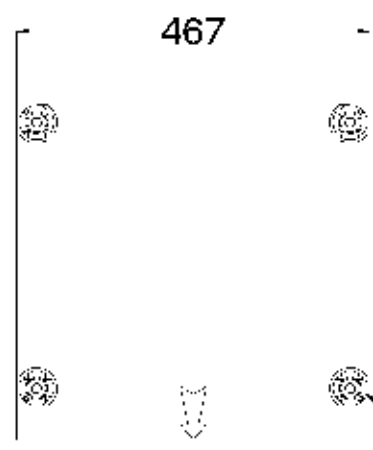
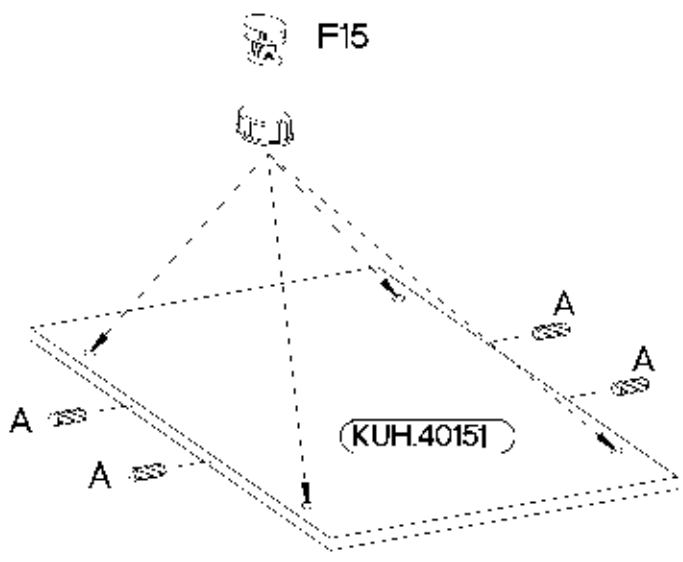
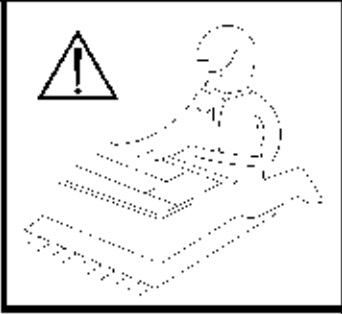


+8x30mm	+15/12mm	L=20mm	L=450mm	M2
A	C	D2	III	M2
6	4	4	1	8



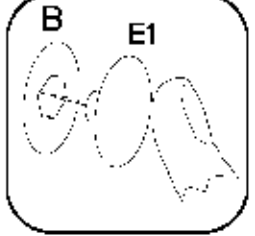
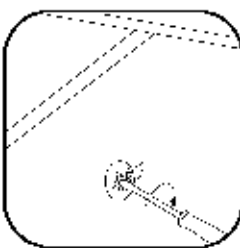
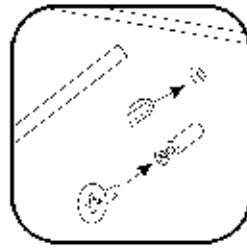
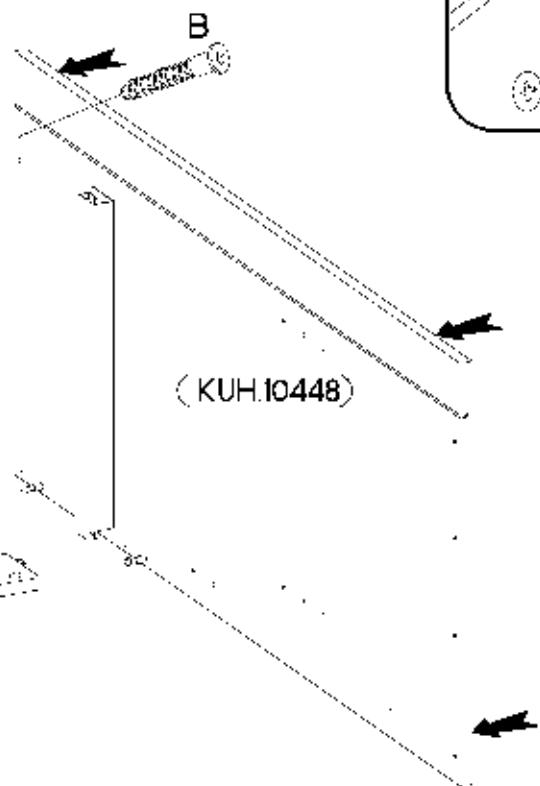
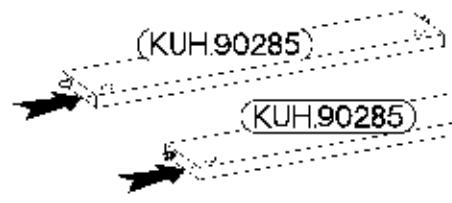
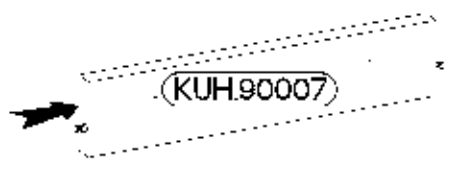
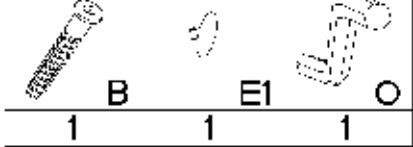
7

Ø8x30mm L=135 170cm Ø3.5x13mm



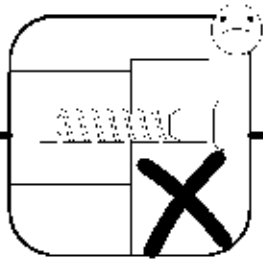
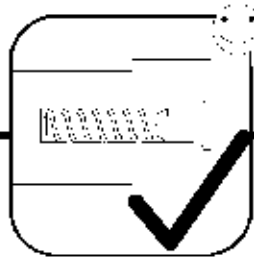
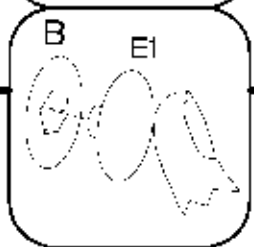
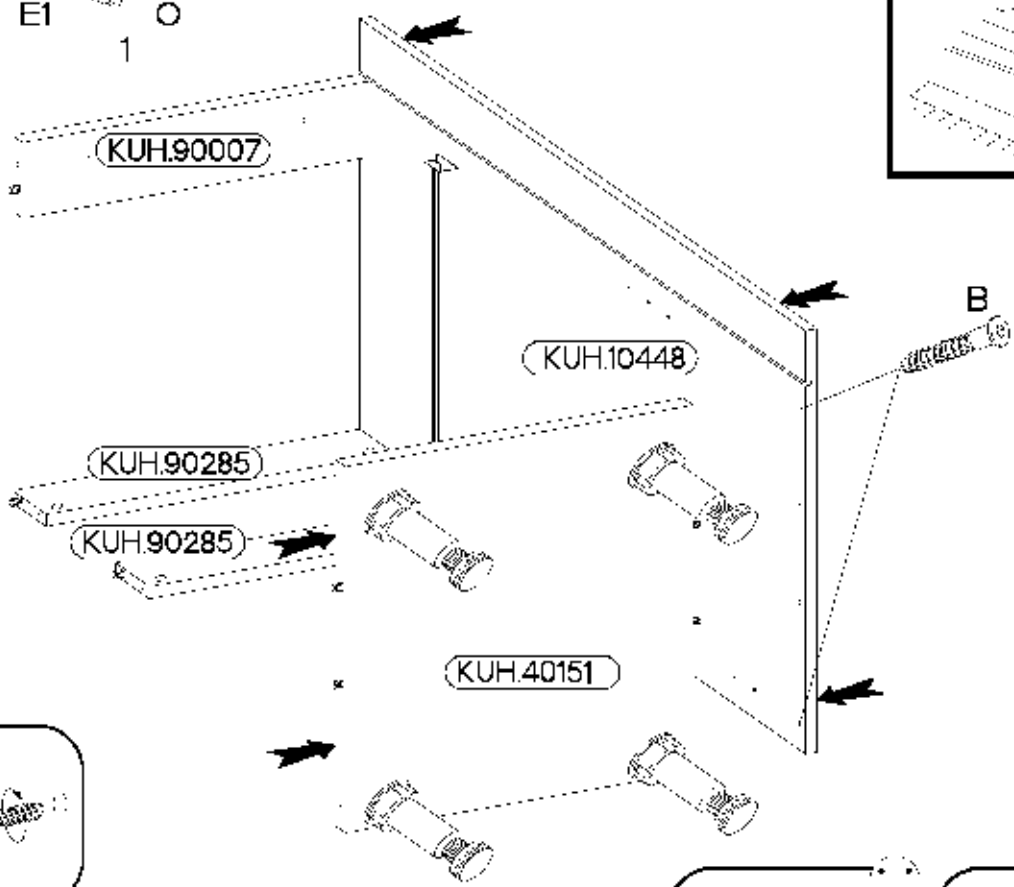
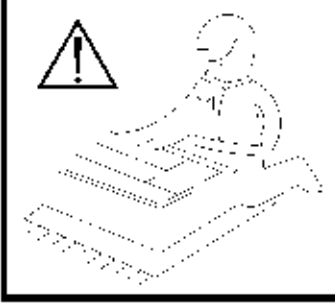
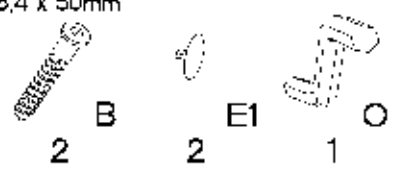
8

6,4 x 50mm



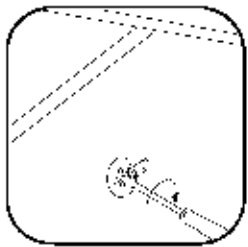
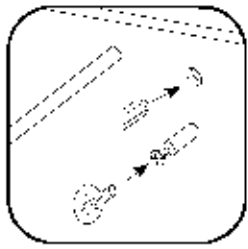
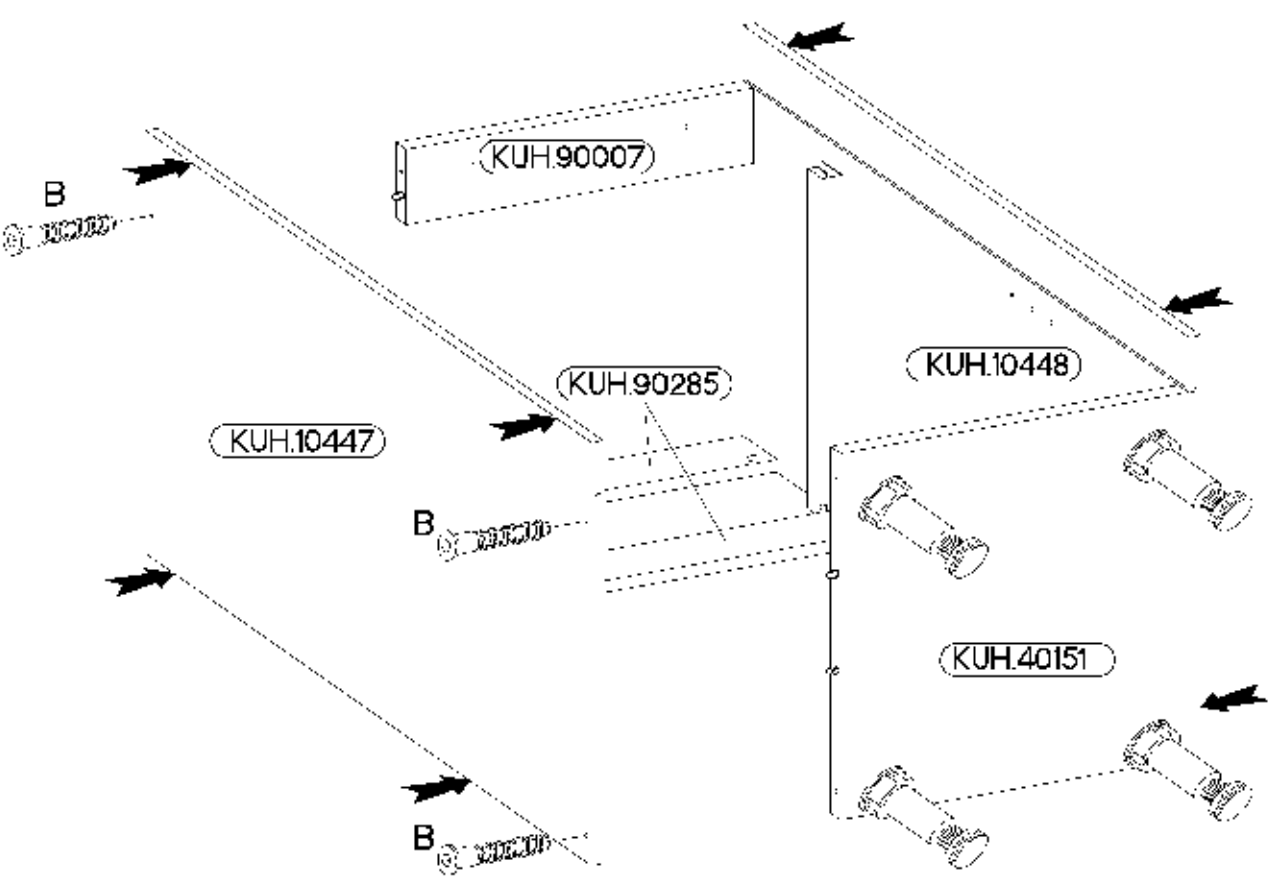
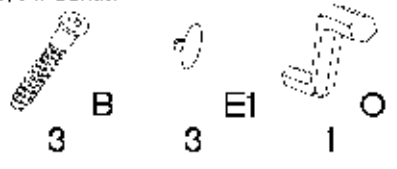
9

6,4 x 50mm



10

6,4 x 50mm



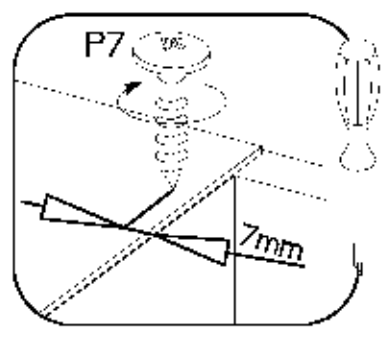
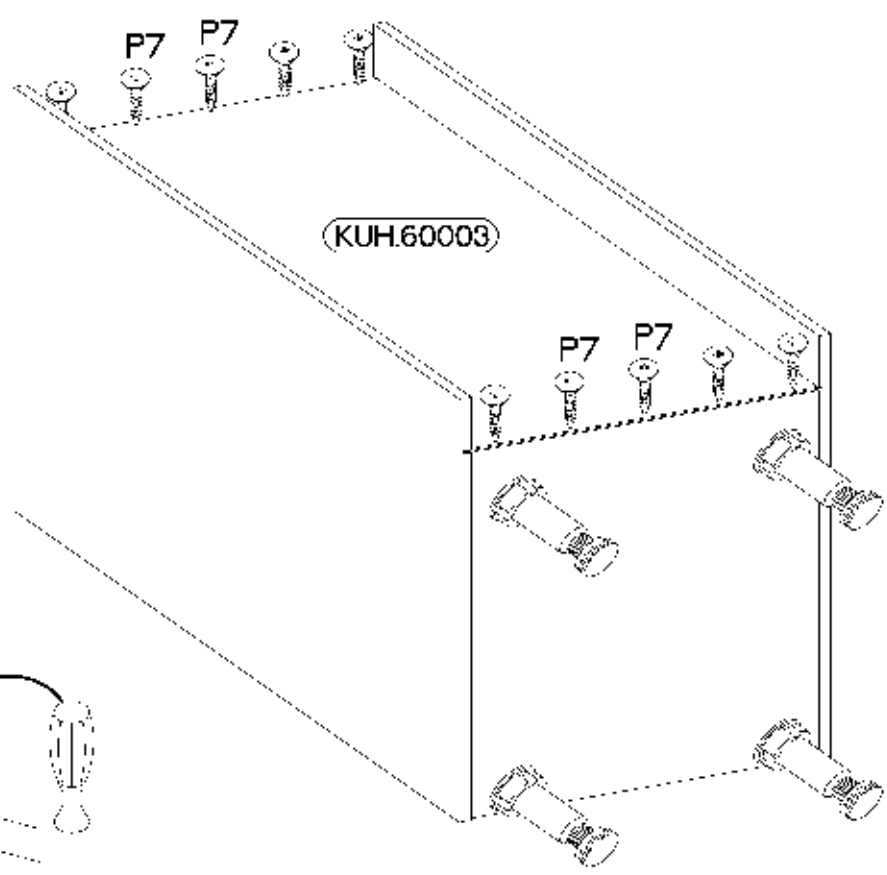
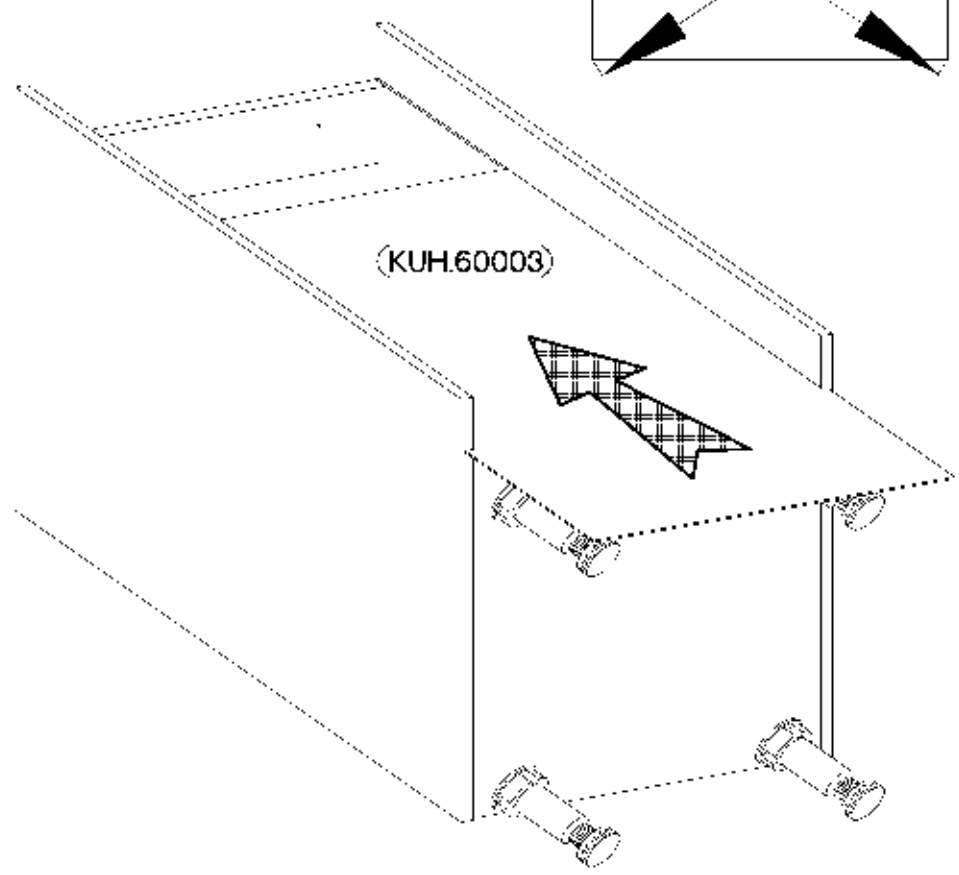
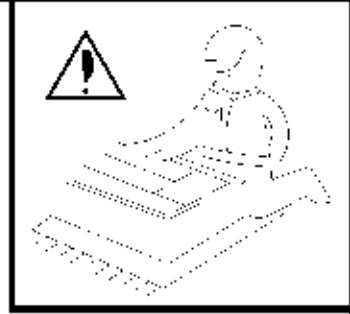
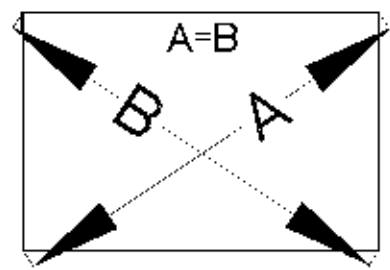


3.0x20mm



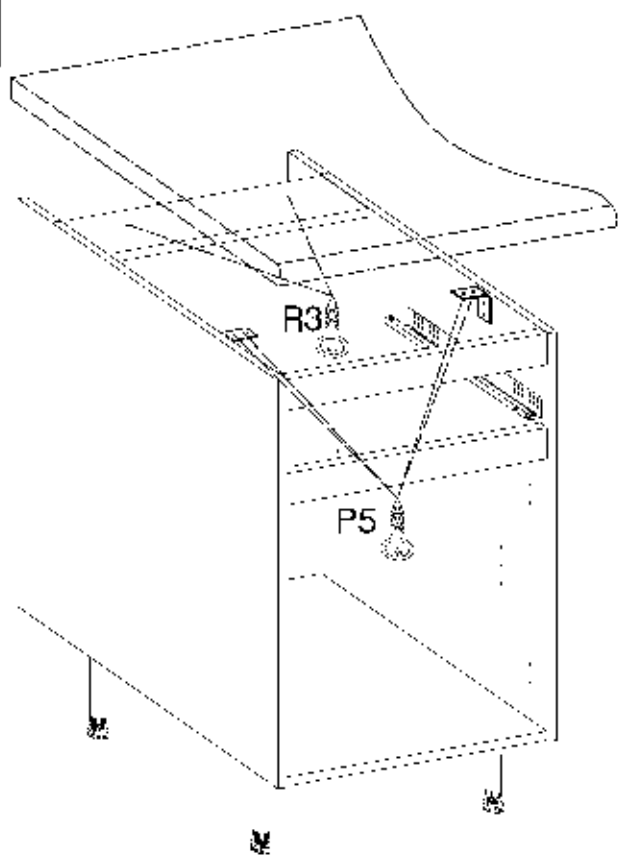
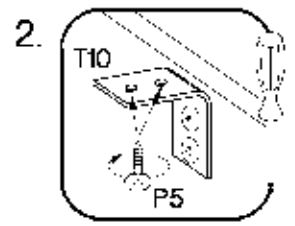
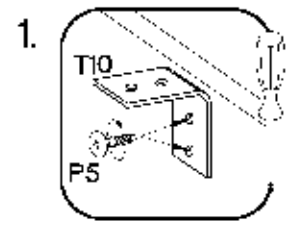
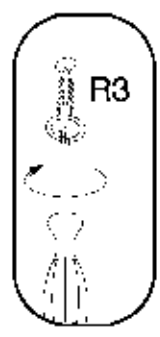
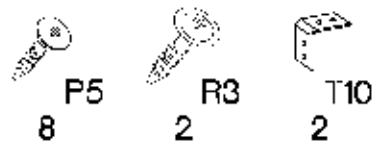
P7

8-10

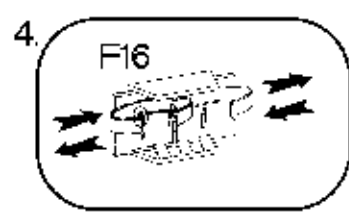
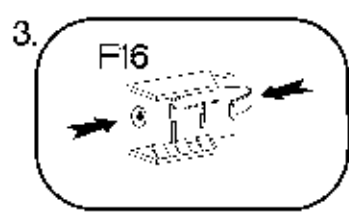
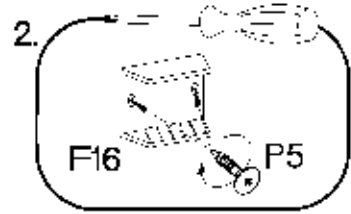
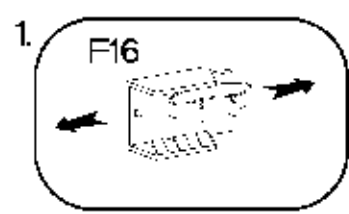
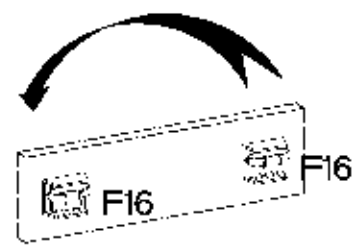
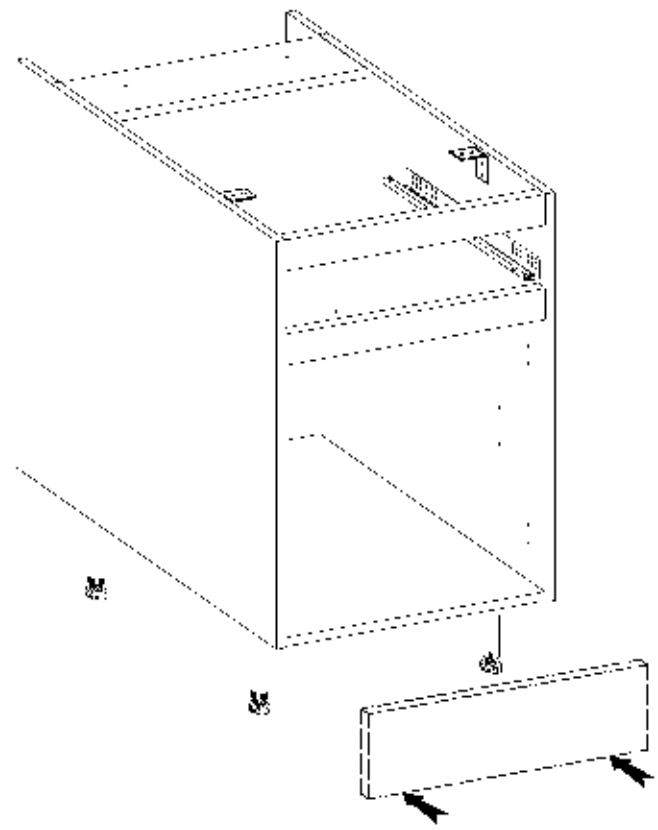
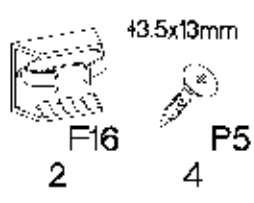


12

43.5x13mm 44.0x35mm

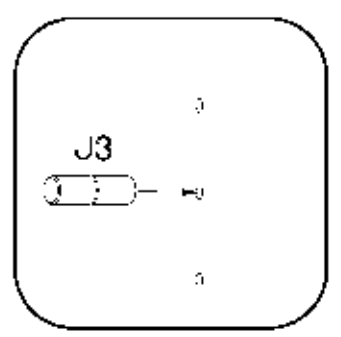
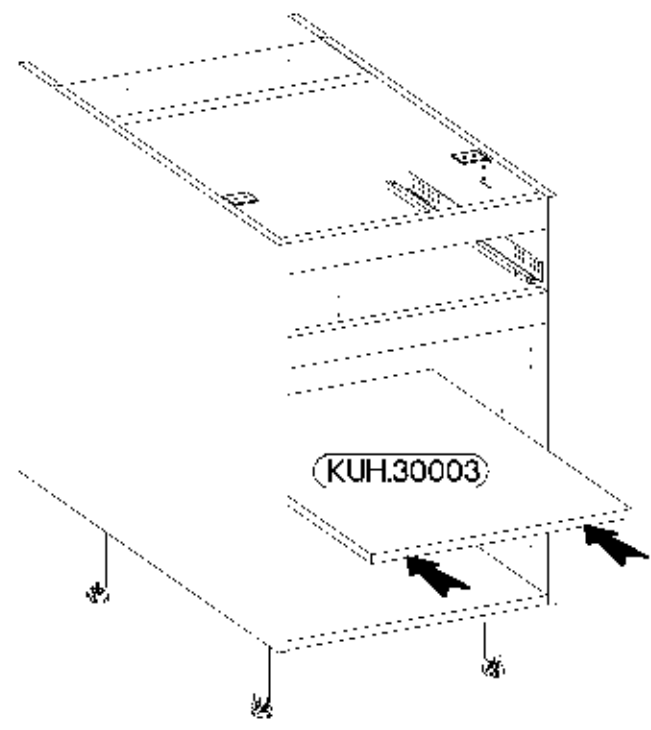


13



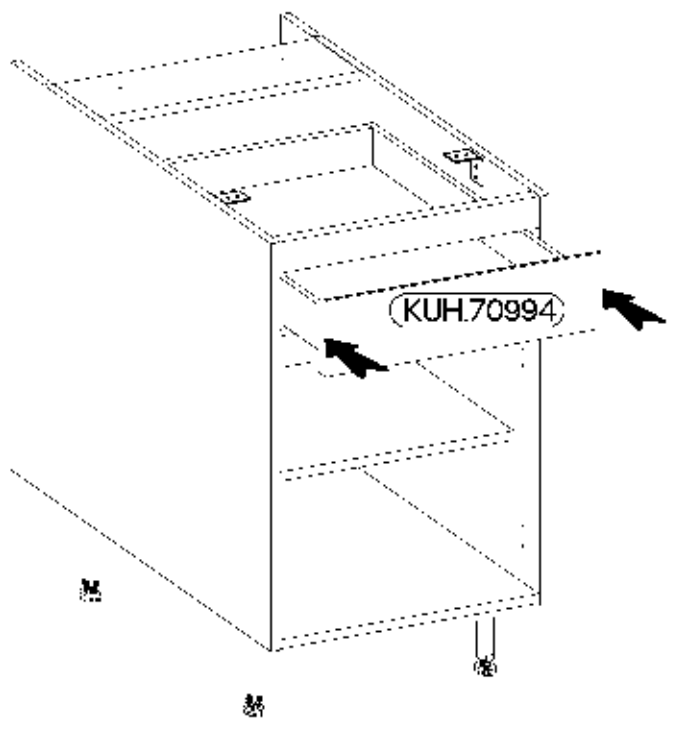
14

t5/16mm
4 J3

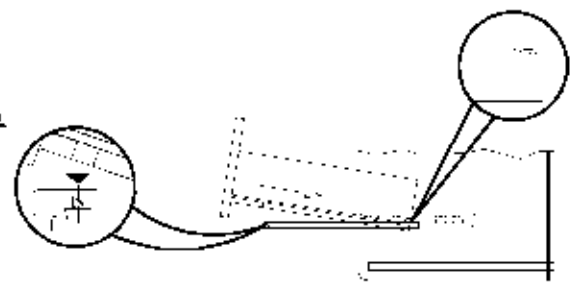


15

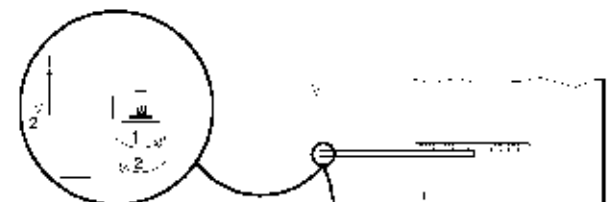
t3.0x20mm
2 P7



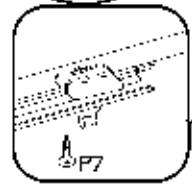
1.



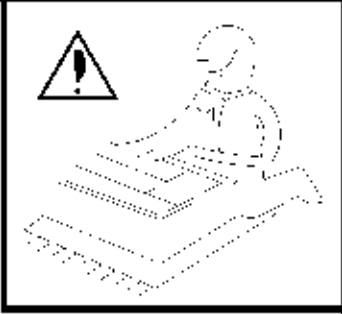
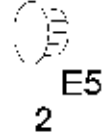
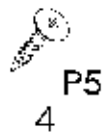
2.



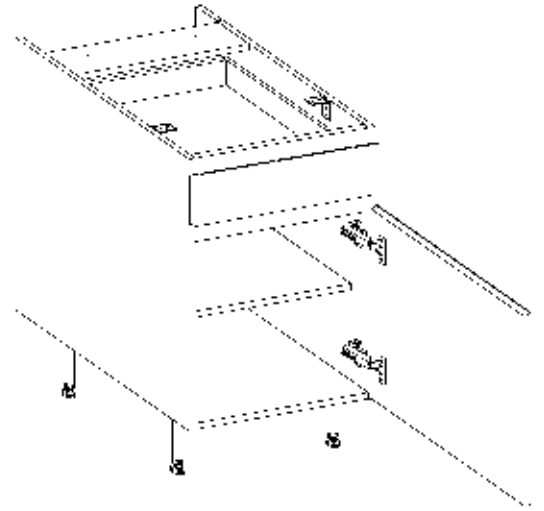
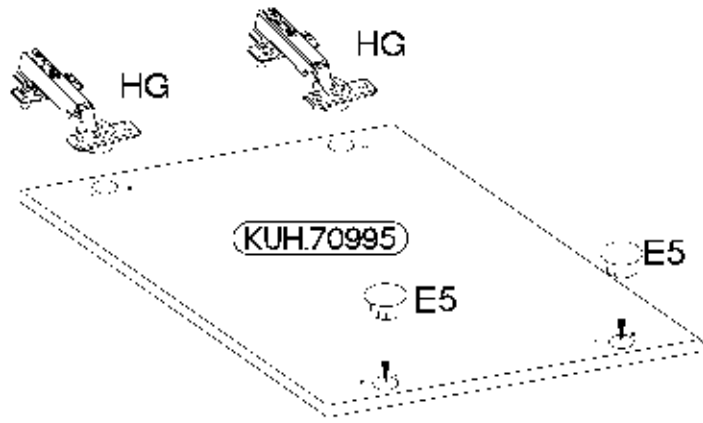
3.



±35/0mm ±3.5x13mm ±35mm



RIGHT



LEFT

