

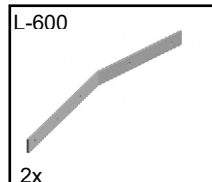
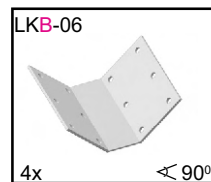
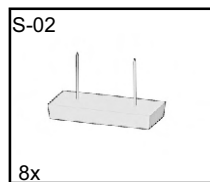
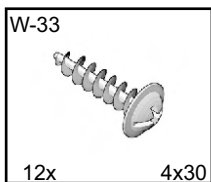
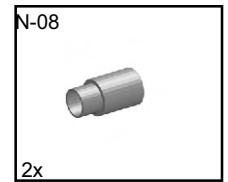
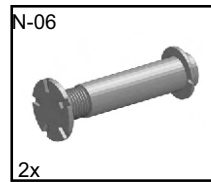
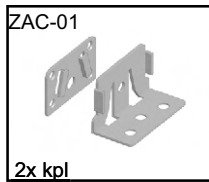
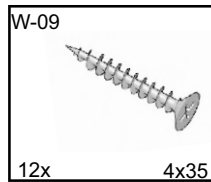
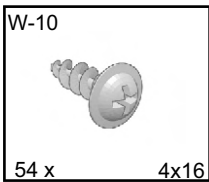
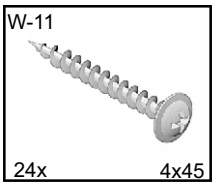
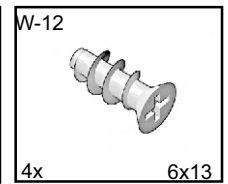
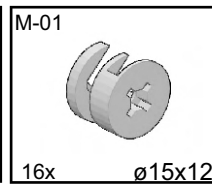
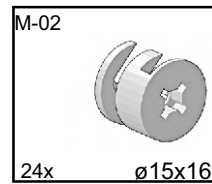
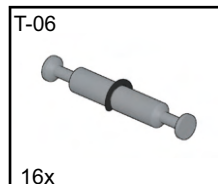
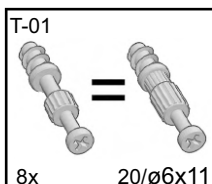
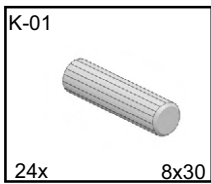
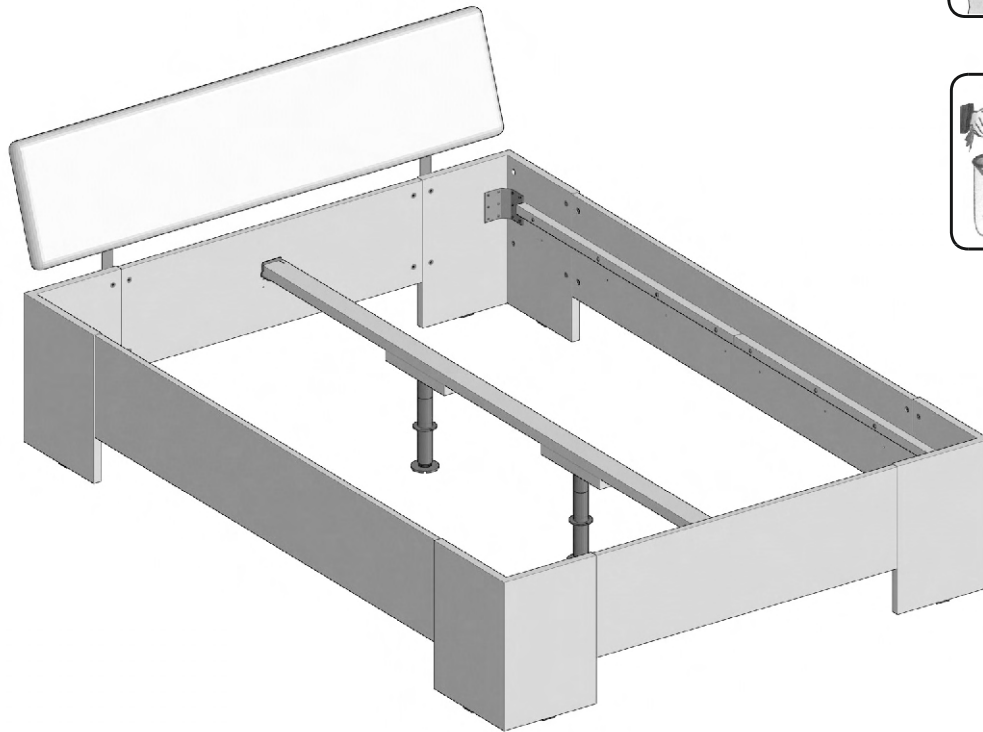
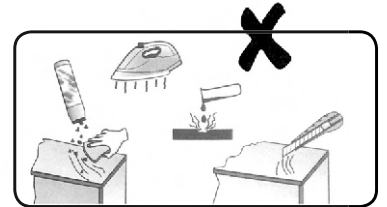
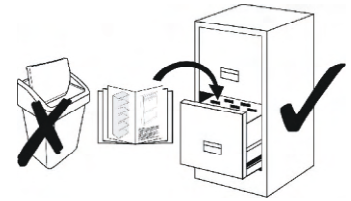
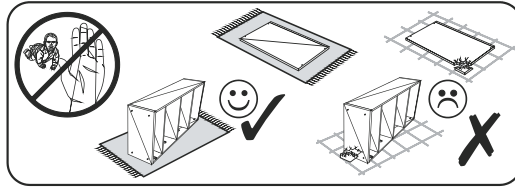
LINO 140

50-029-17
50-029-T2

LINO 140 25062022



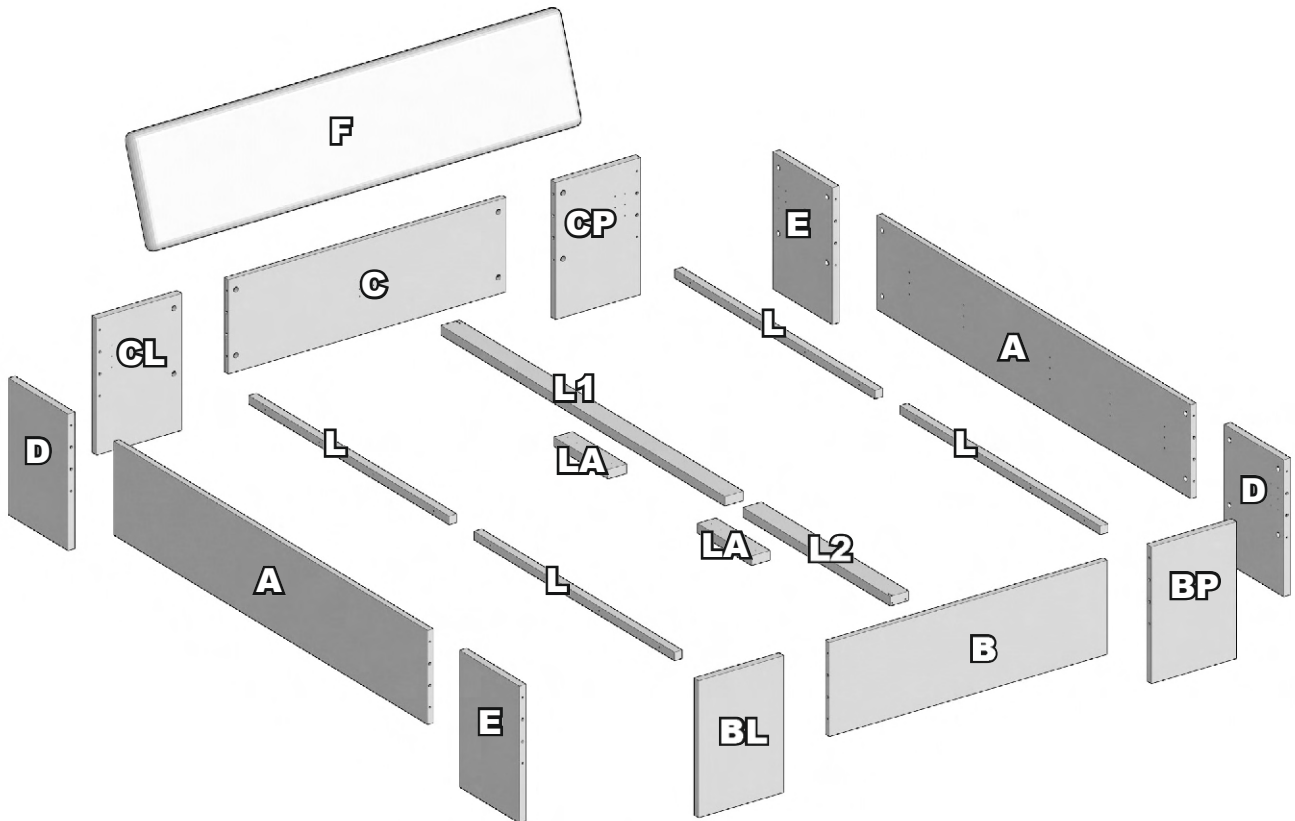
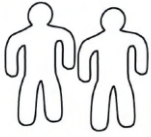
120 min



LINO 140

50-029-17
50-029-T2

LINO 140 25062022



| REP | DIM | QTE | package/ colli number |
|-----|-----------------|-----|--------------------------|
| A | 1450 x 275 x 18 | 2 | 2/3 |
| B | 898 x 275 x 18 | 1 | 1/3 |
| BL | 400 x 275 x 22 | 1 | 1/3 |
| BP | 400 x 275 x 22 | 1 | 1/3 |
| C | 898 x 275 x 18 | 1 | 1/3 |
| CL | 400 x 275 x 22 | 1 | 1/3 |
| CP | 400 x 275 x 22 | 1 | 1/3 |

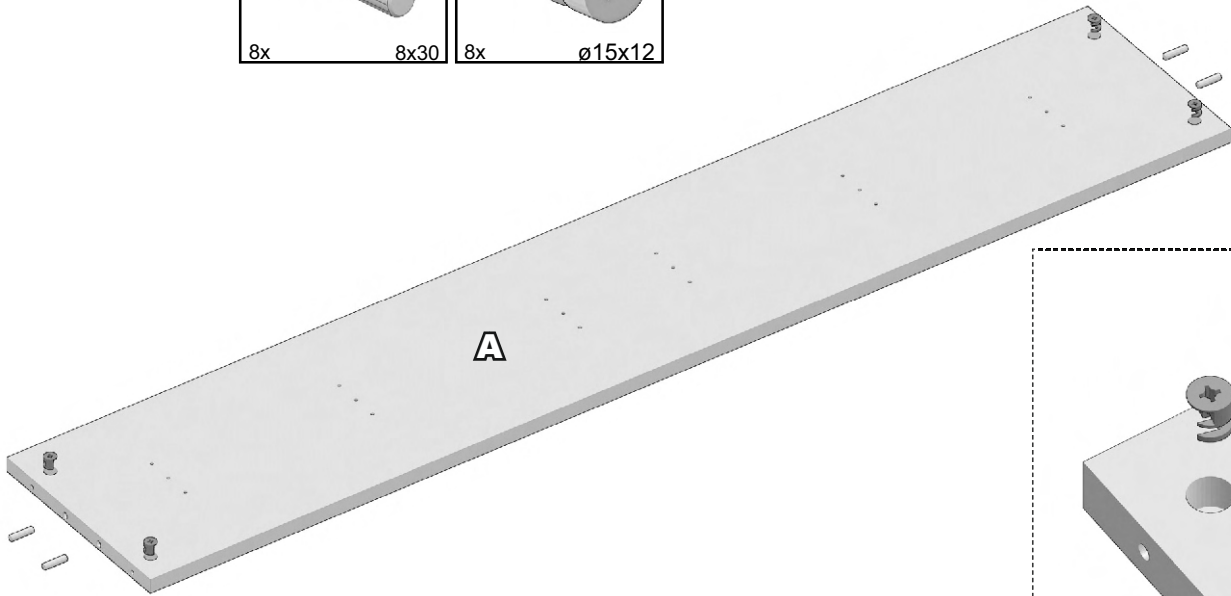
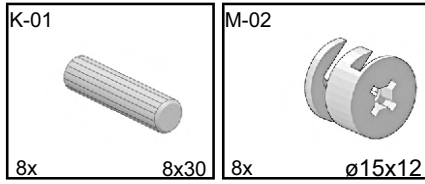
| REP | DIM | QTE | package/ colli number |
|-----|------------------|-----|--------------------------|
| D | 400 x 275 x 22 | 2 | 1/3 |
| E | 400 x 275 x 22 | 2 | 1/3 |
| F | 1400 x 325 x 30 | 1 | 3/3 |
| L | 925 x 25 x 30 | 4 | 2/3 |
| L1 | 1311,5 x 60 x 28 | 1 | 2/3 |
| L2 | 671,5 x 60 x 28 | 1 | 2/3 |
| LA | 250 x 70 x 28 | 2 | 2/3 |

LINO 140

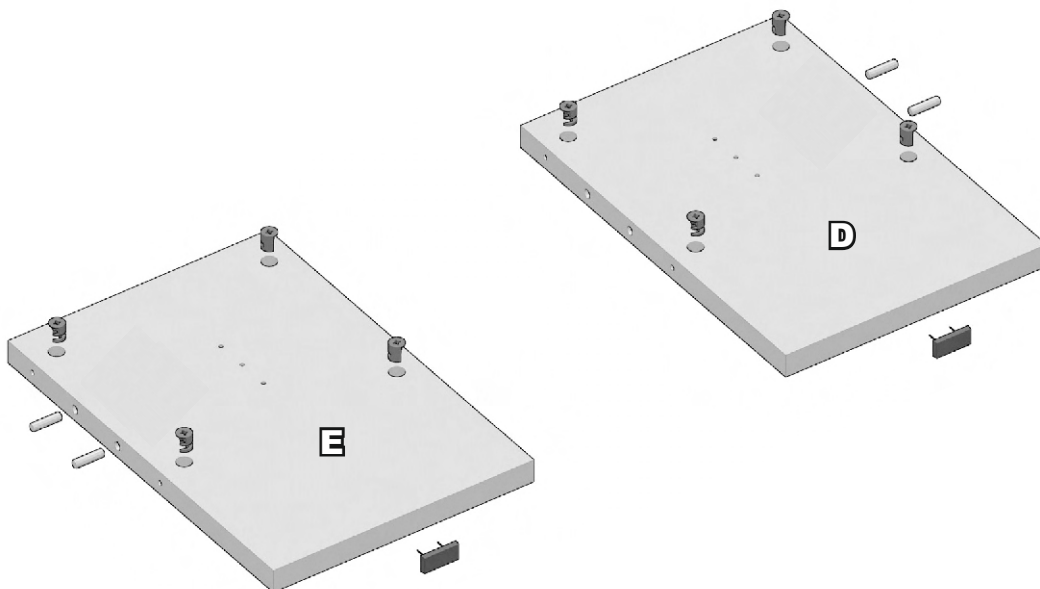
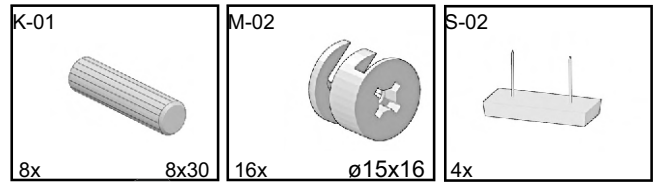
50-029-17
50-029-T2

LINO 140 25062022

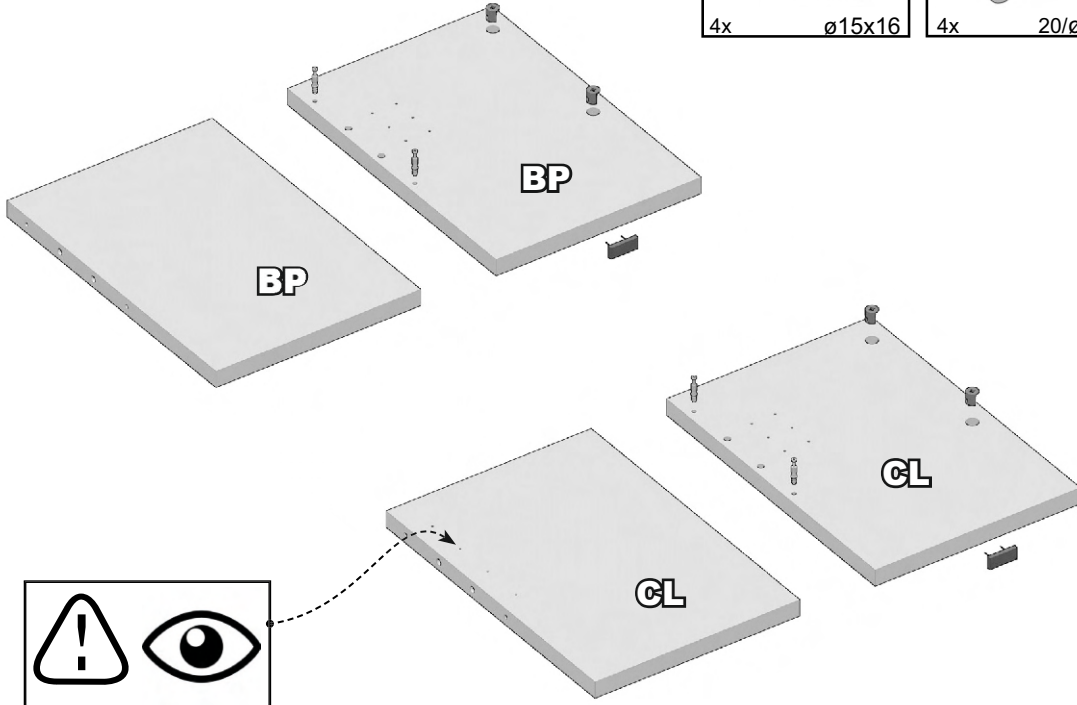
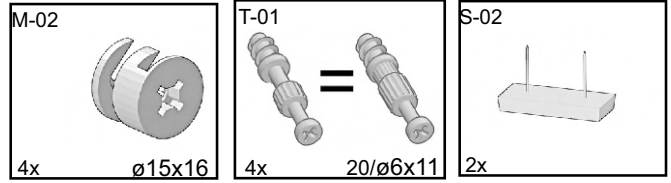
1 2x



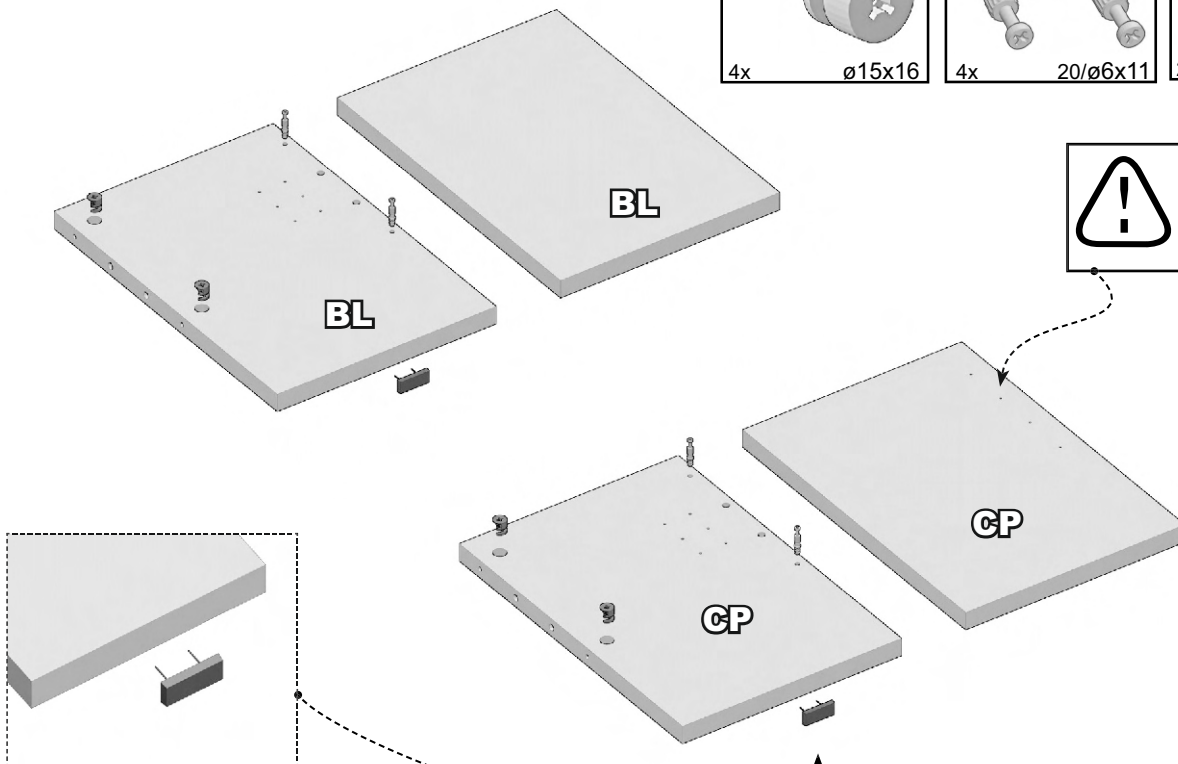
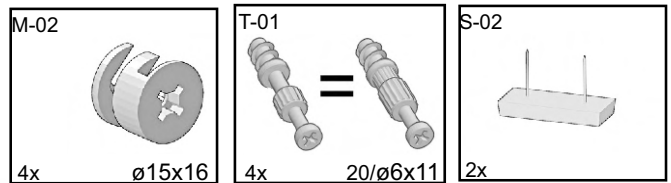
2 2x



3



4

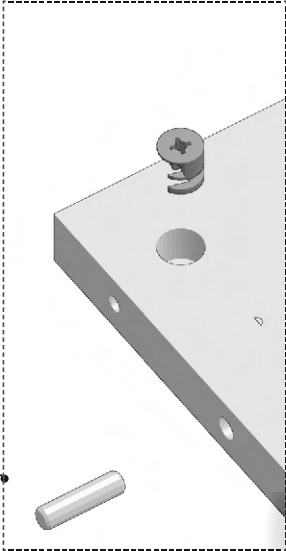
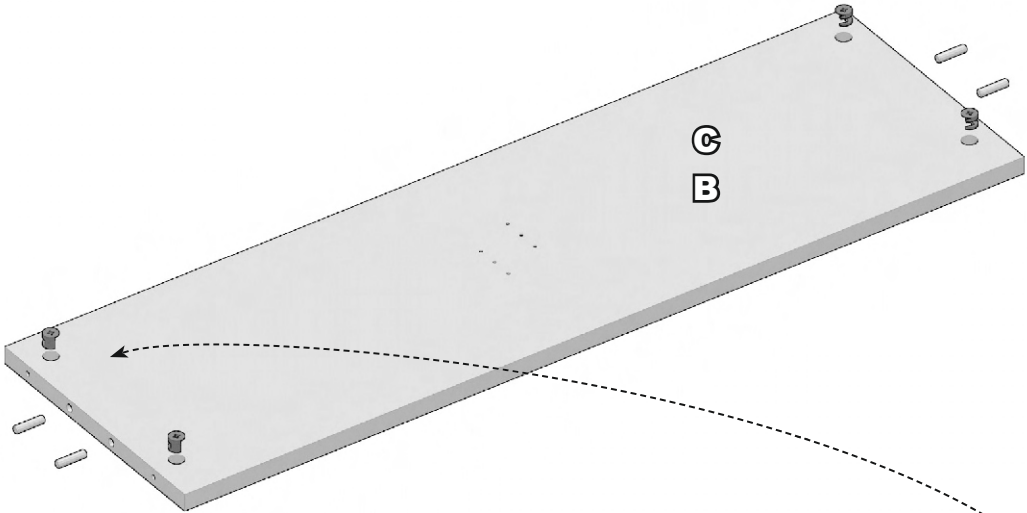
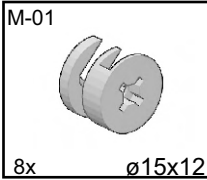
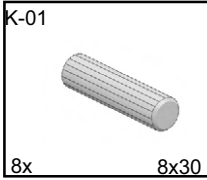


LINO 140

50-029-17
50-029-T2

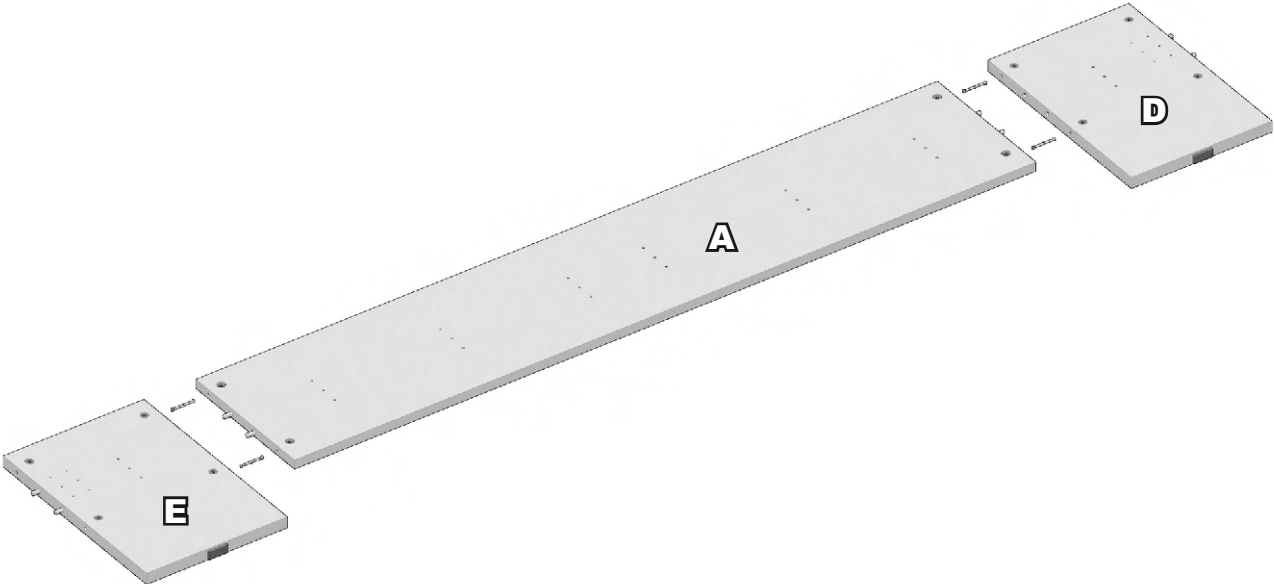
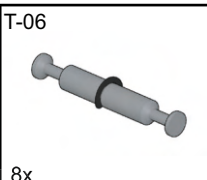
LINO 140 25062022

5



7

2x

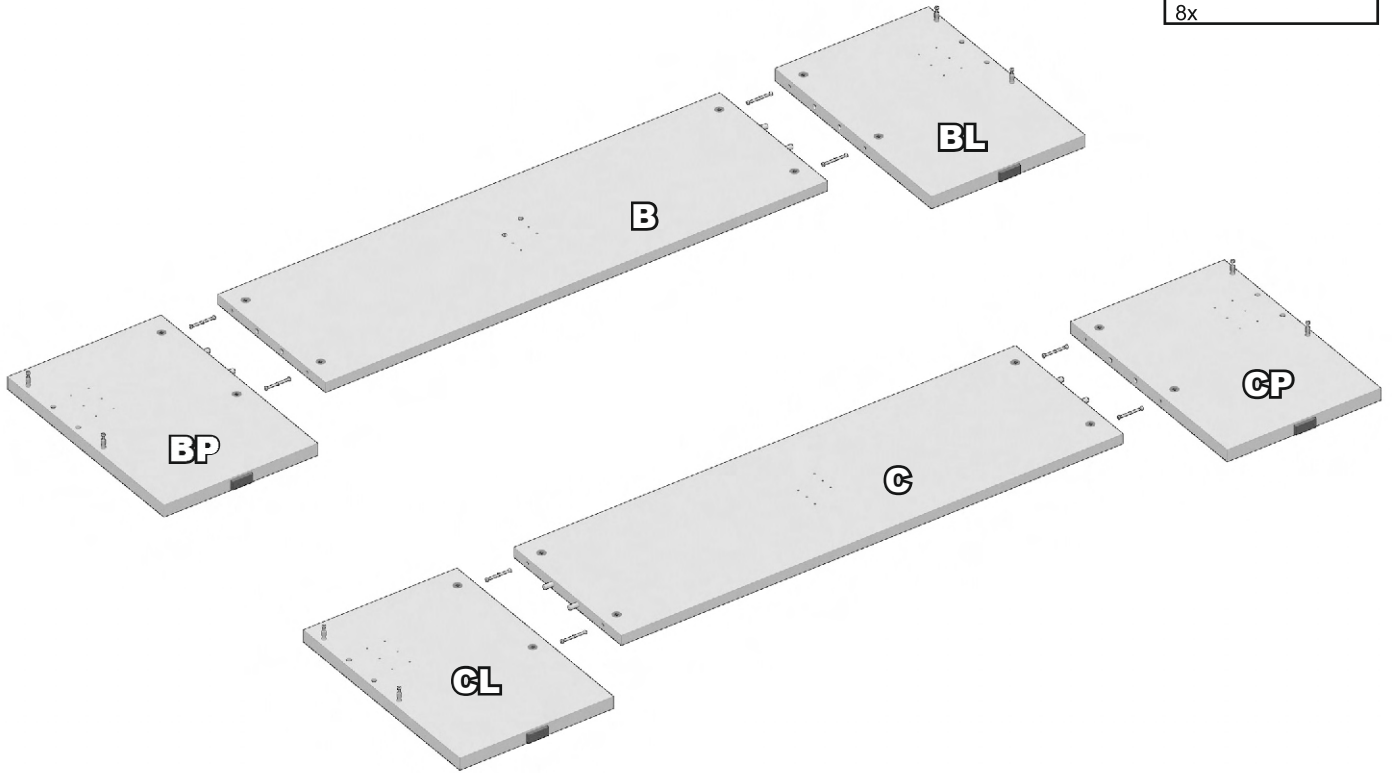
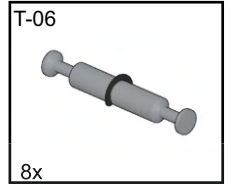


LINO 140

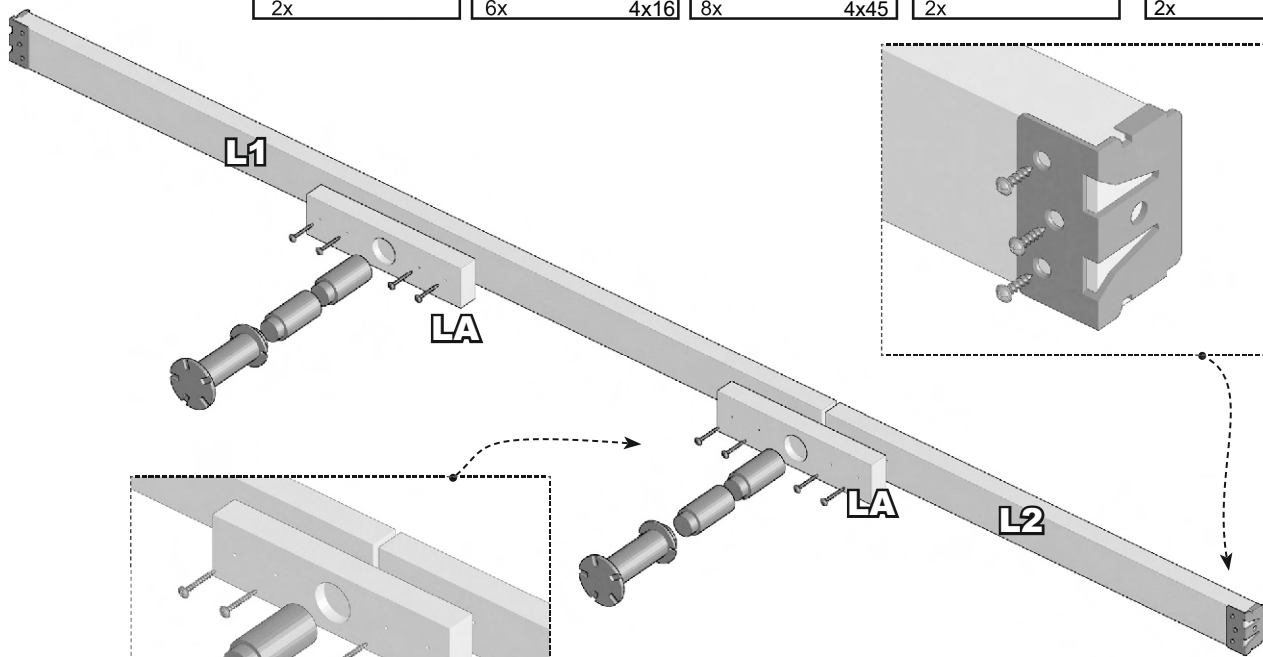
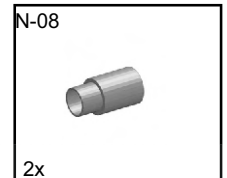
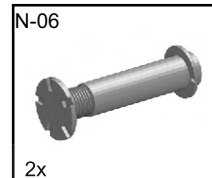
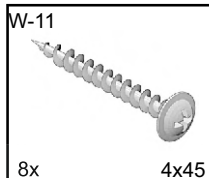
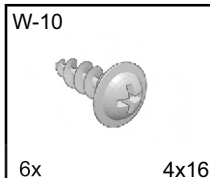
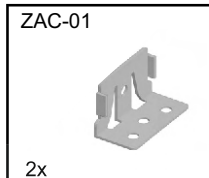
50-029-17
50-029-T2

LINO 140 25062022

8



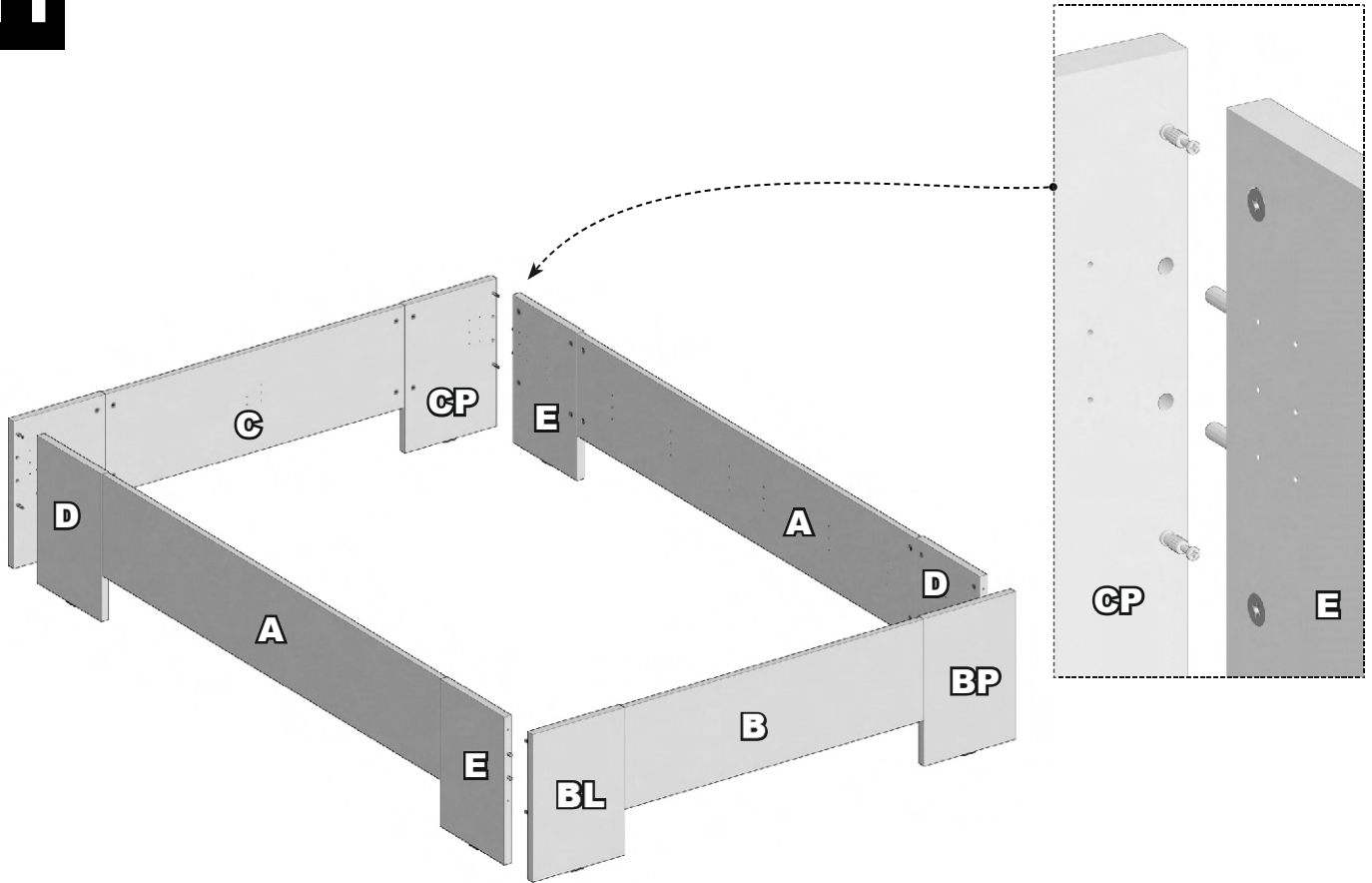
10



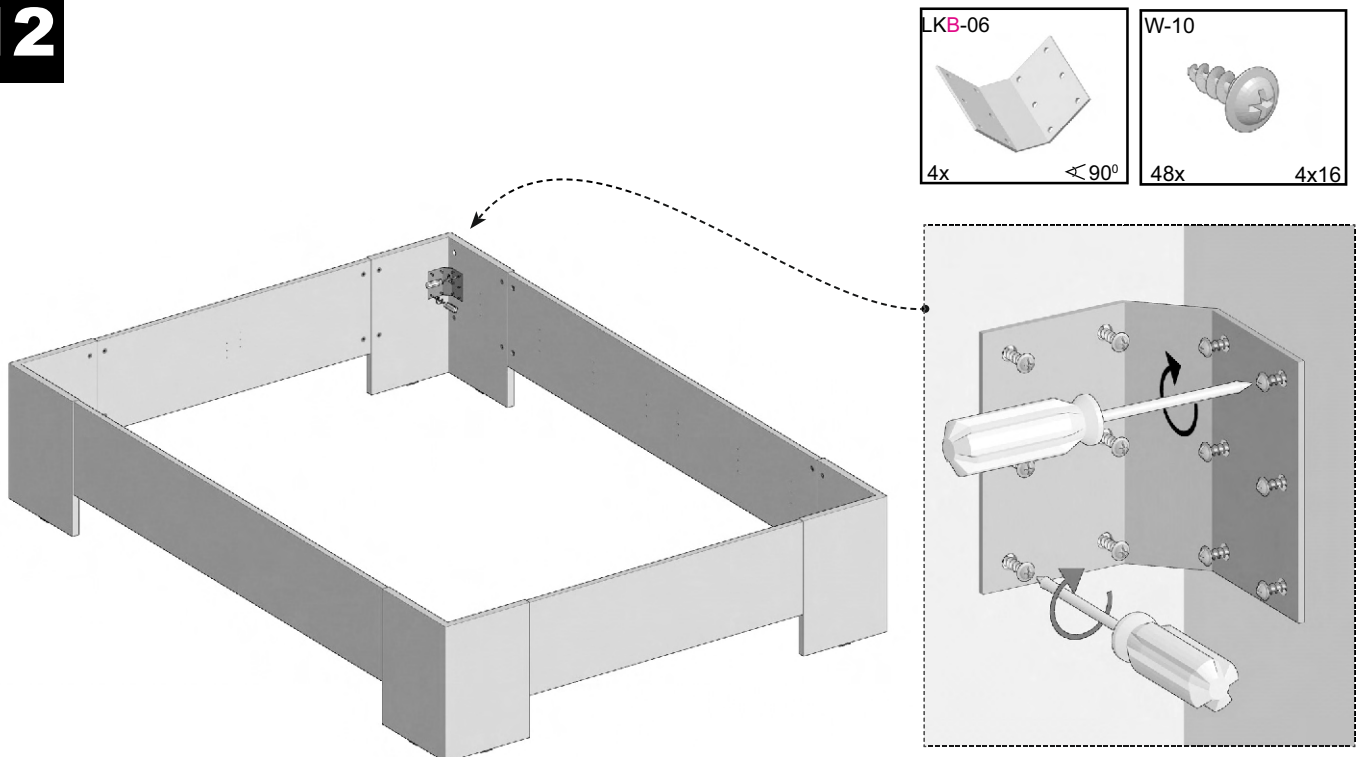
6/10

LINO 140 25062022

11

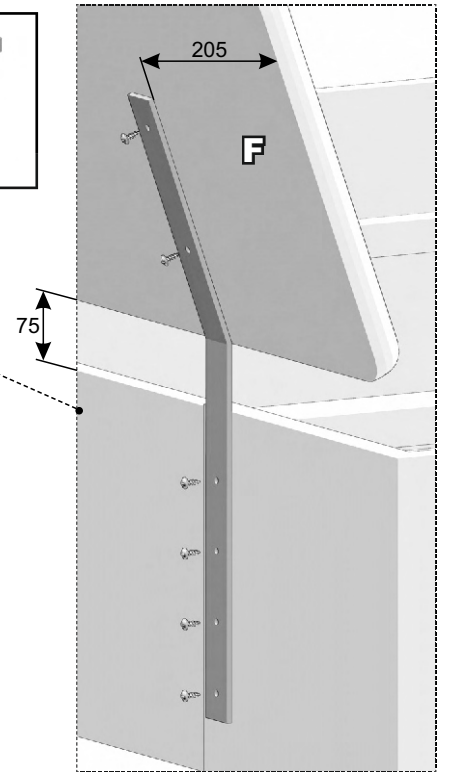
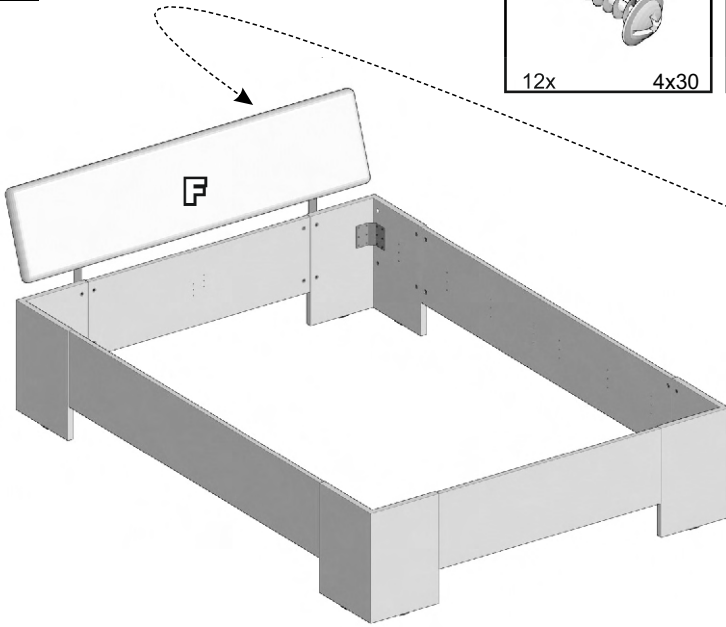
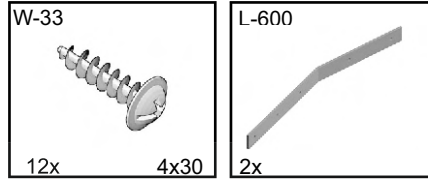


12

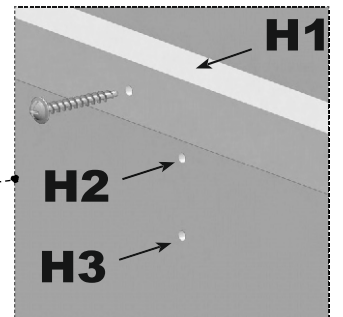
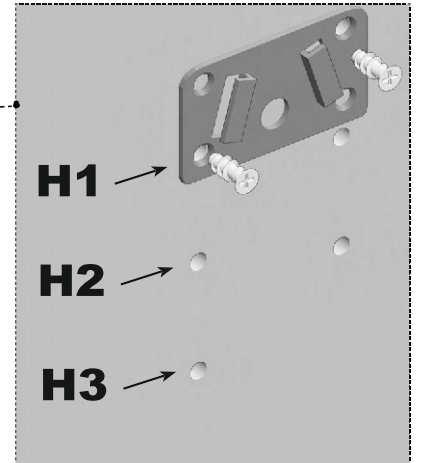
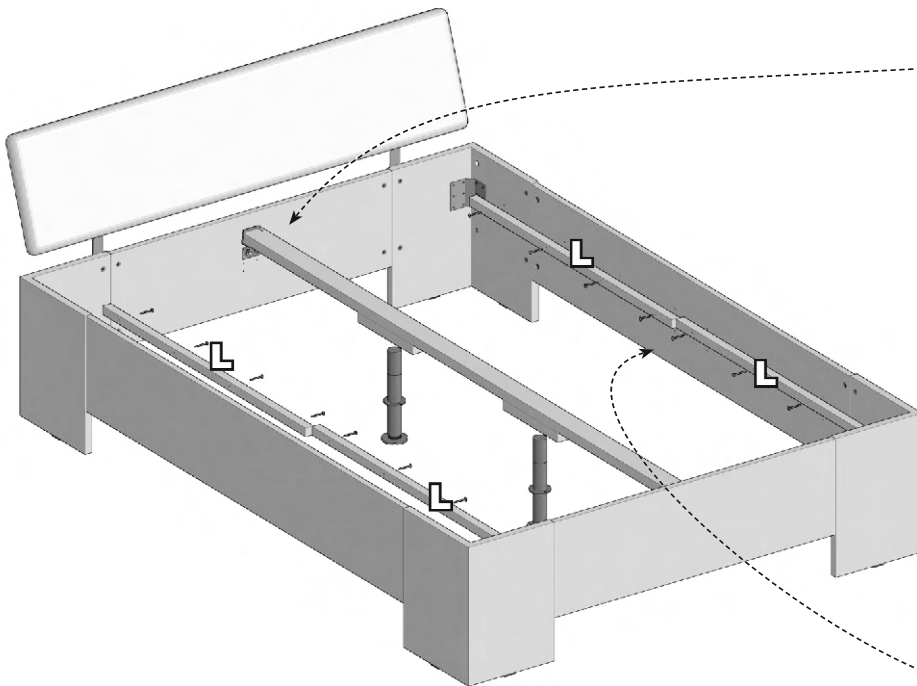
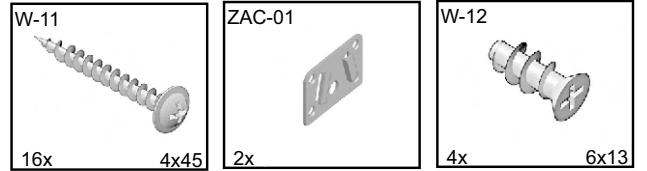


LINO 140 25062022

13

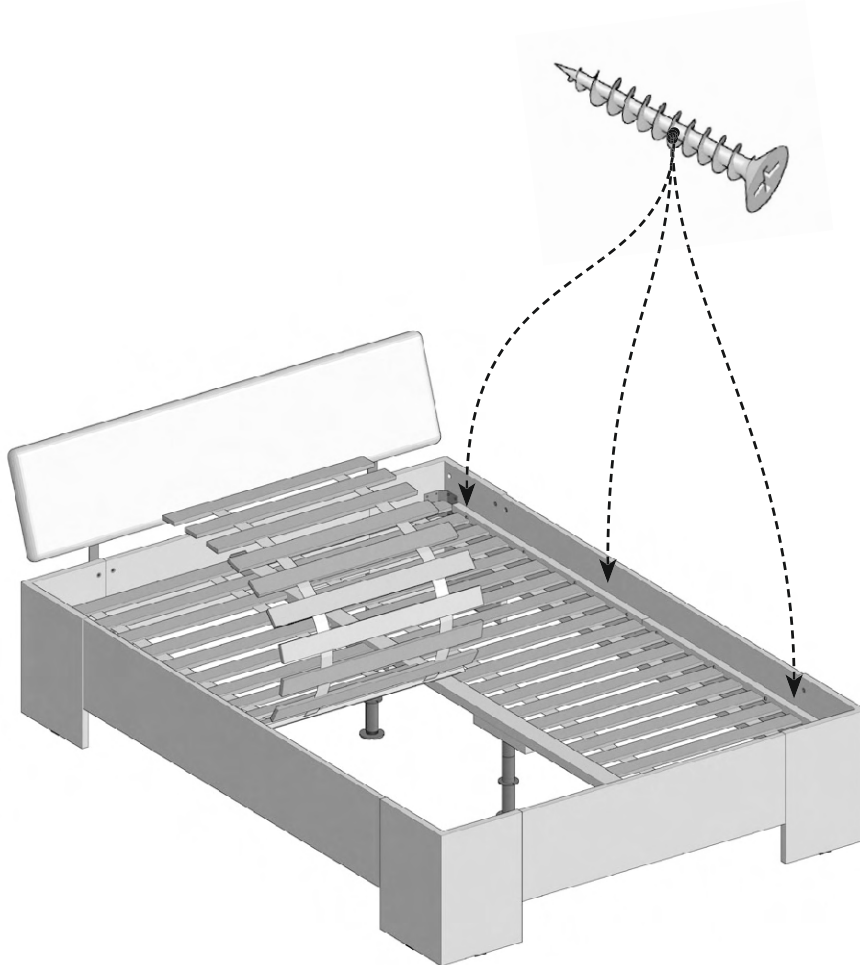
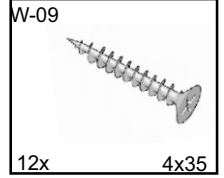
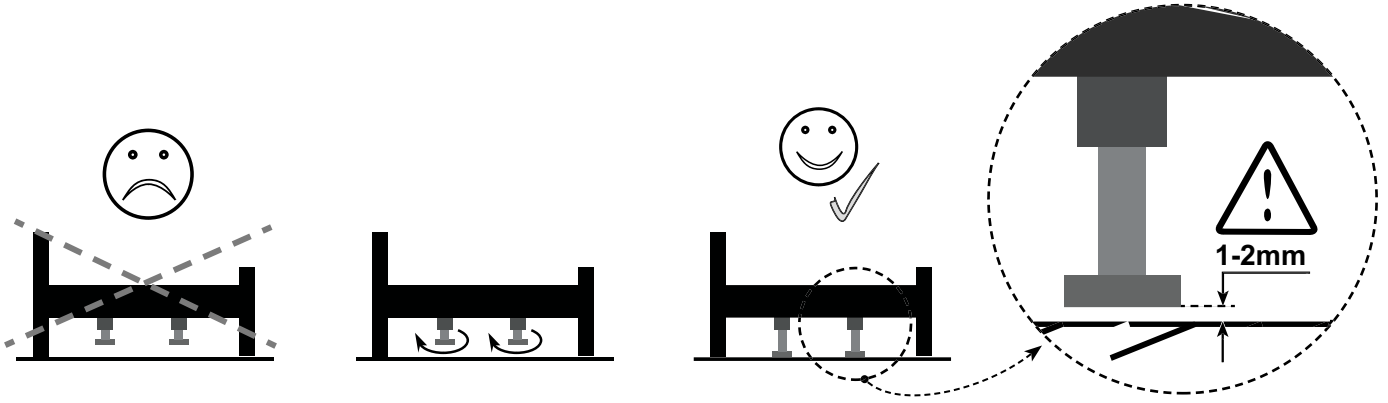


14



LINO 140 25062022

15



LINO 140

50-029-17
50-029-T2

LINO 140 25062022

