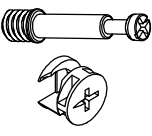




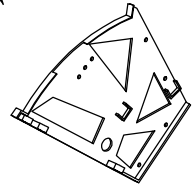
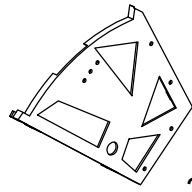


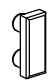


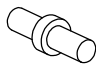

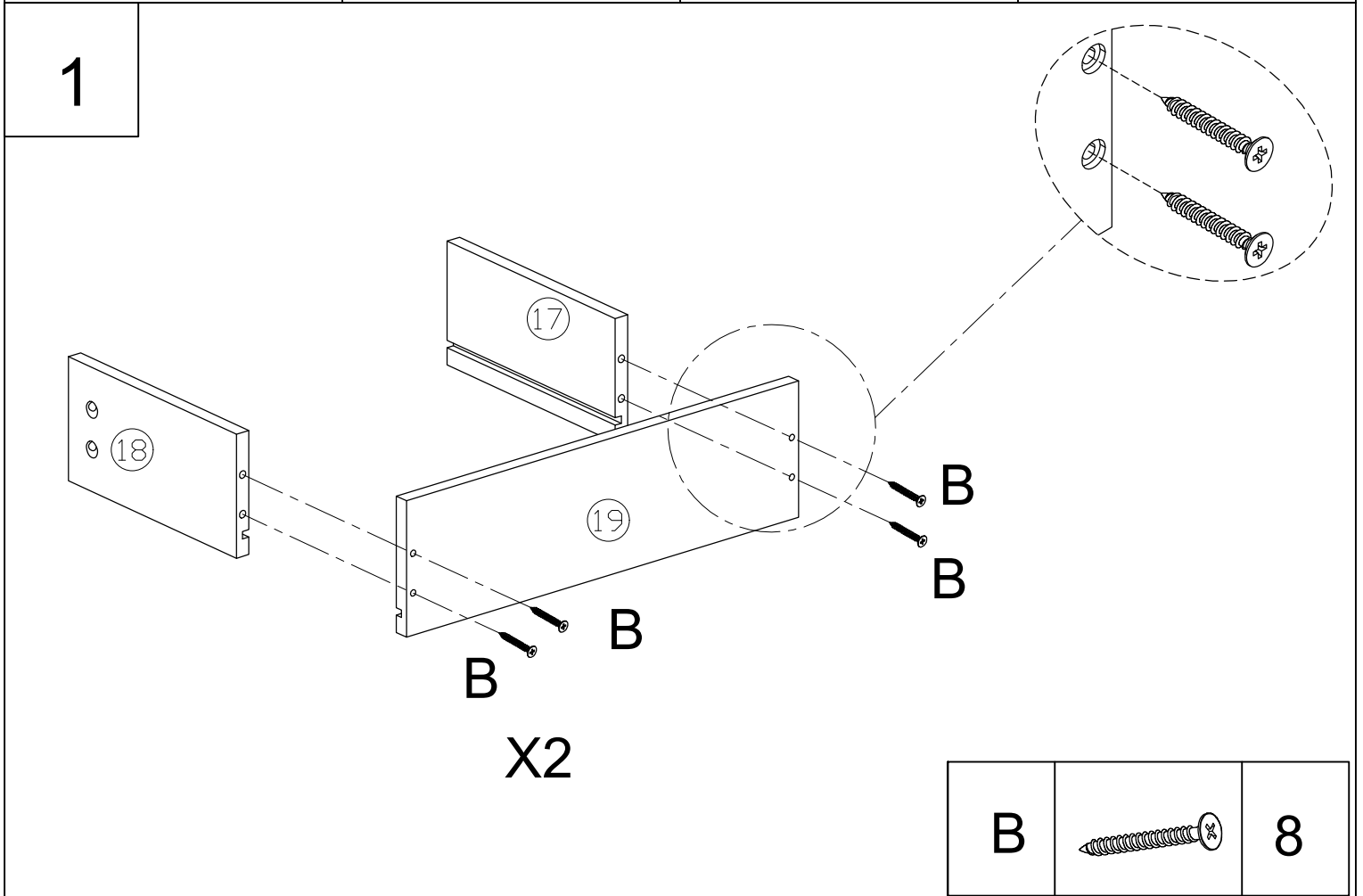
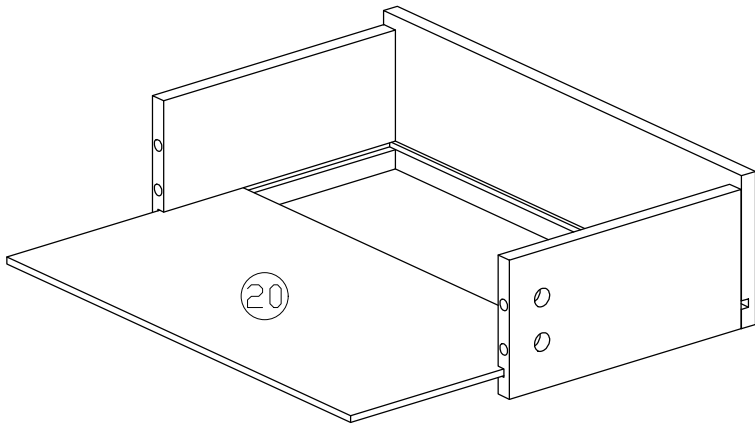


P3

A  36PCS	B  M4*30 18PCS	C  M4*12 44PCS	D  Ø6*30 18PCS
E  4PCS	F  2PCS	G  2PCS	H  4PCS
I  M4*16 4PCS	J  2PCS	K  4PCS	L  4PCS
M  2PCS	N  M4*16 12PCS		

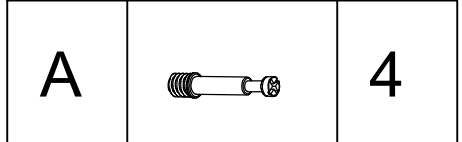
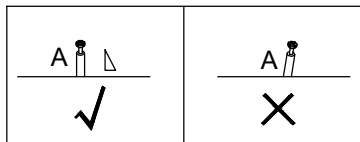
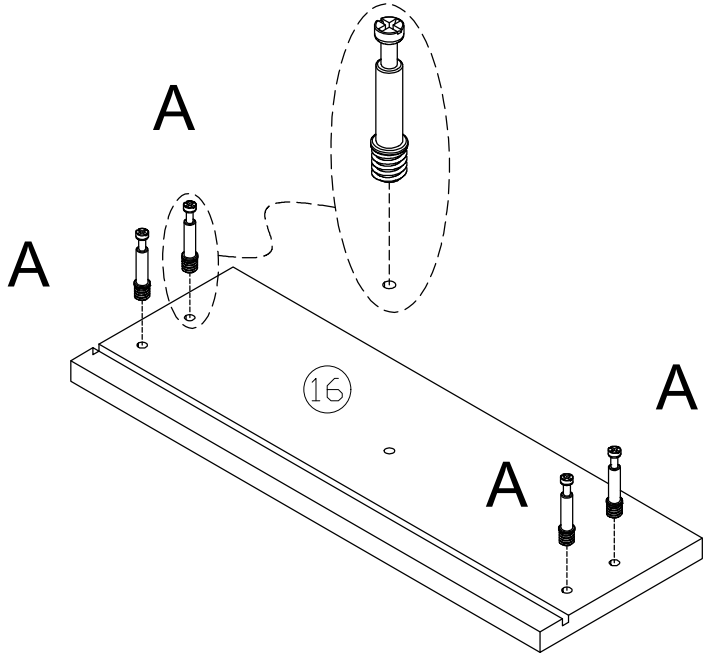


2

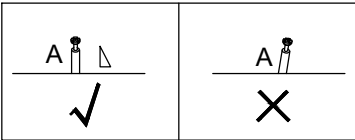
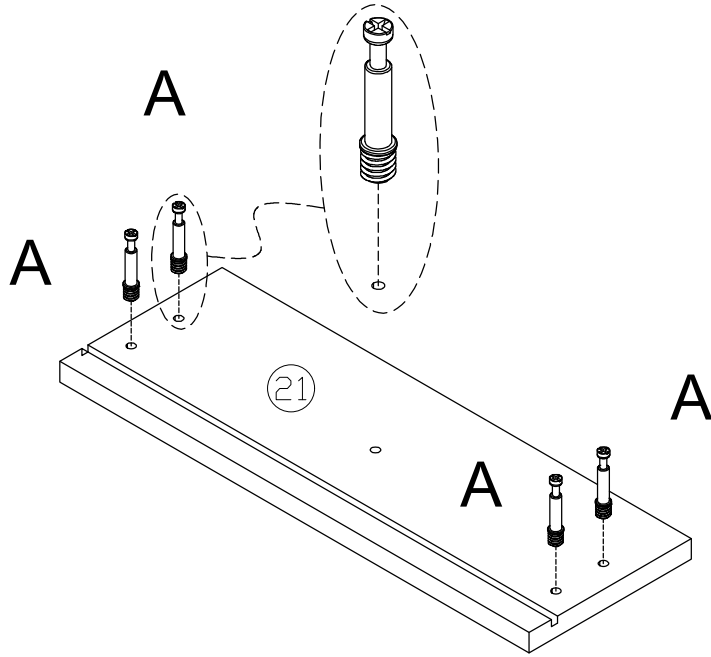


X2

3

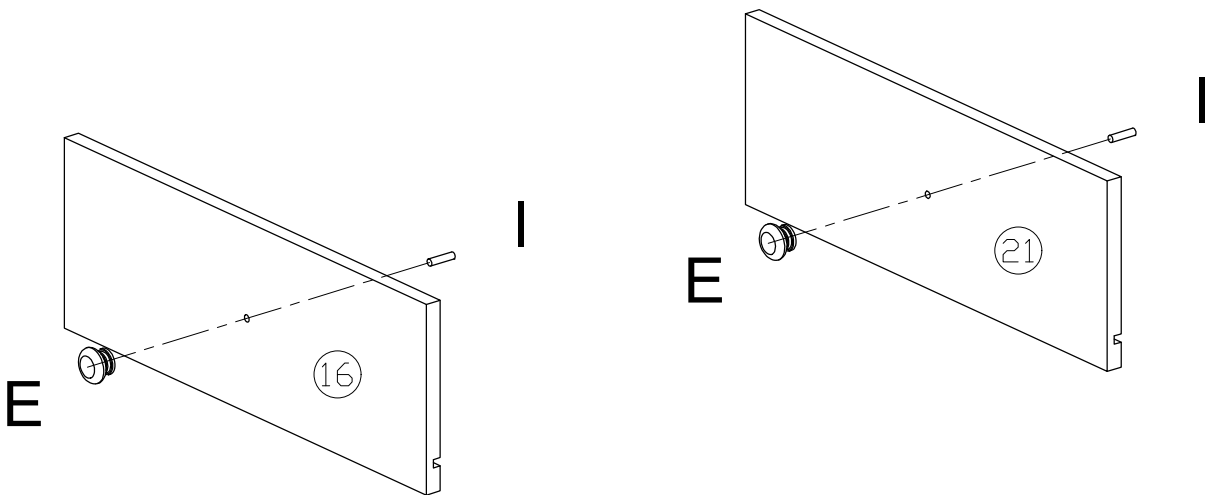


4



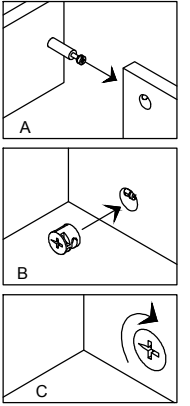
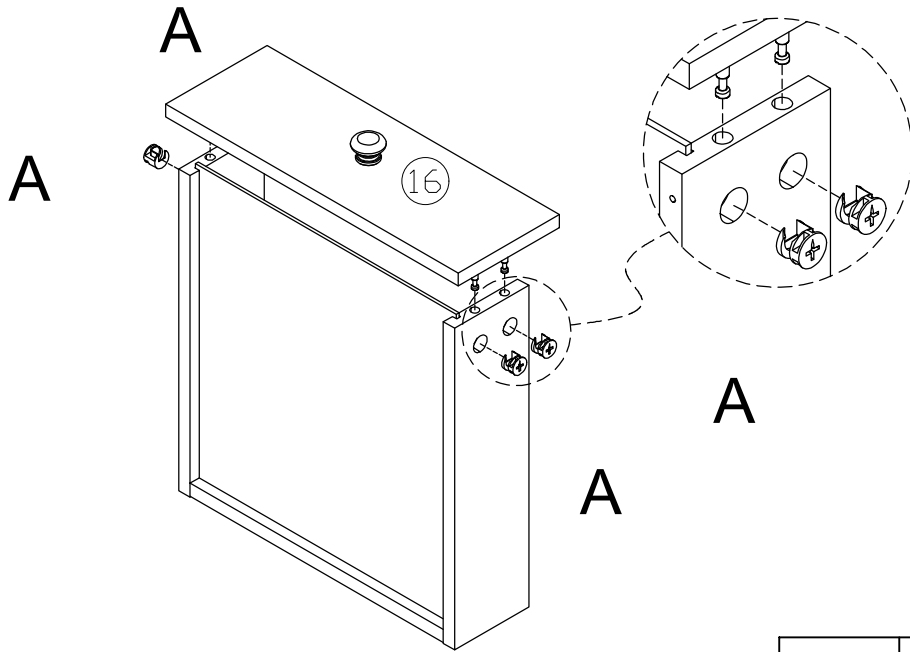
A		4
---	--	---


5



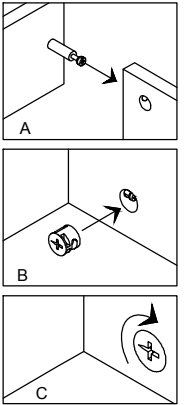
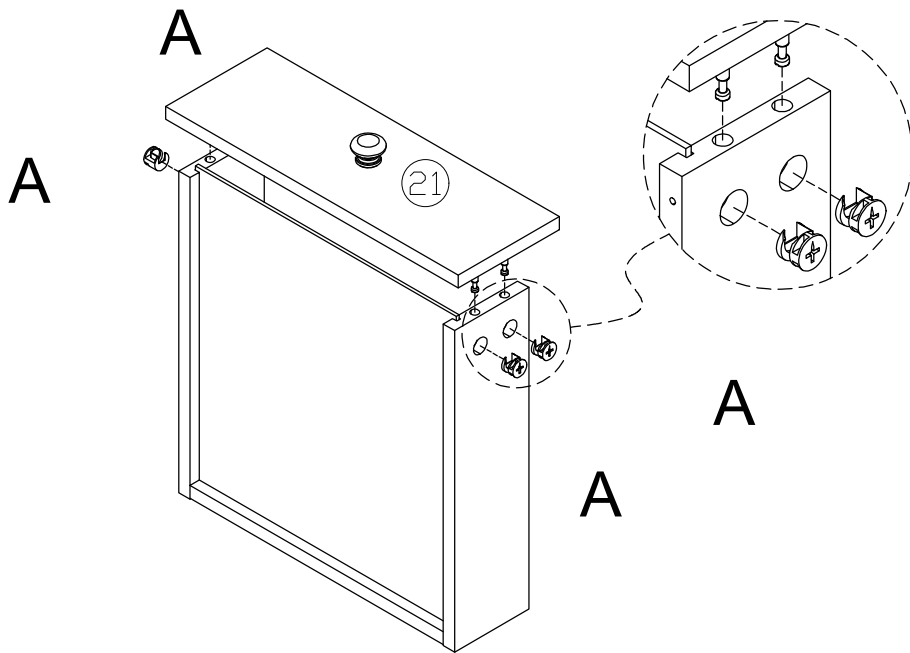
E		2
I		2


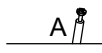
6




A		4
---	---	---

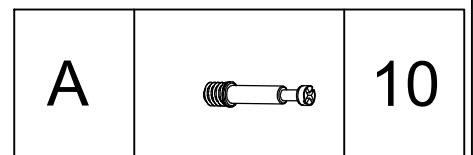
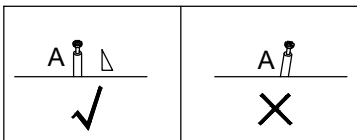
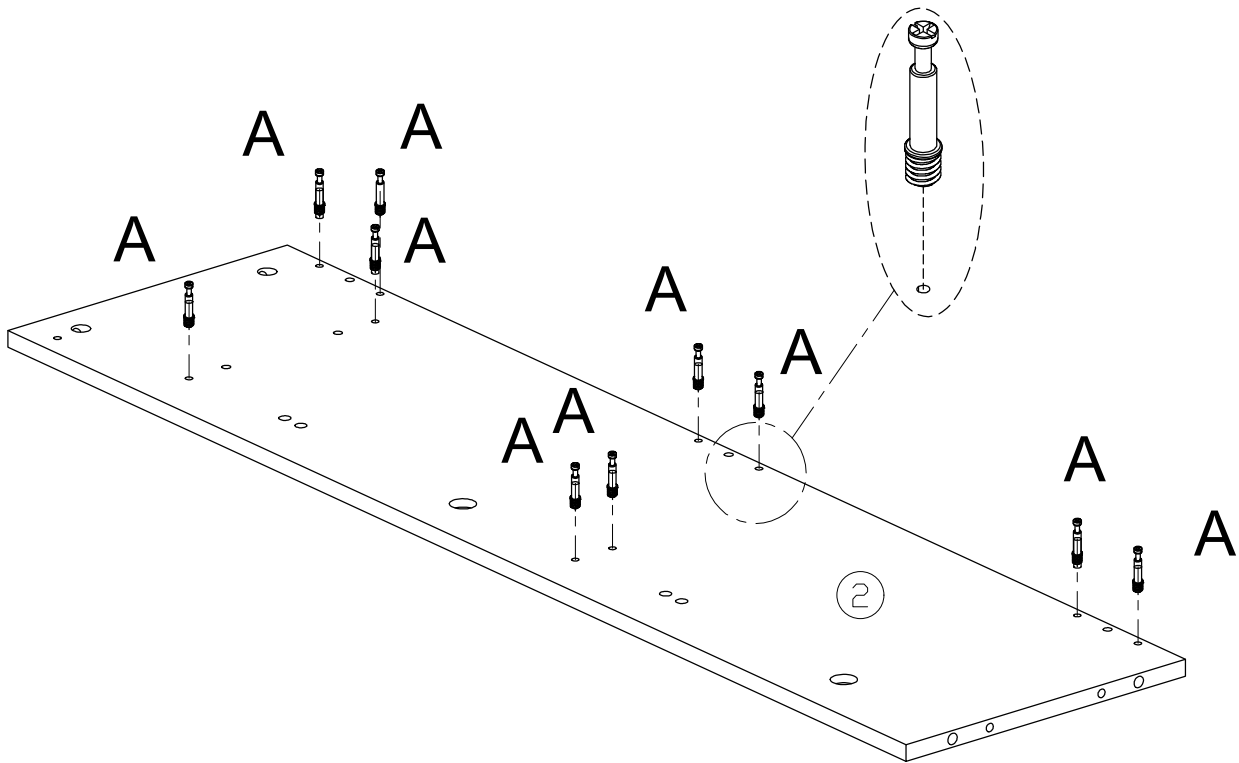
7



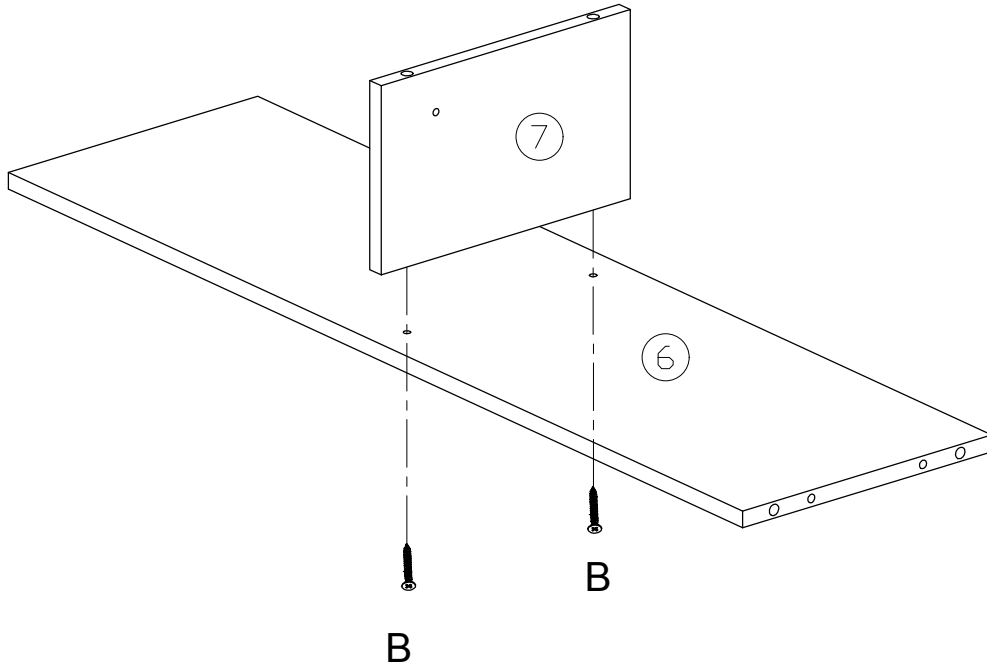
	
✓	✗

A		4
---	---	---

8



9

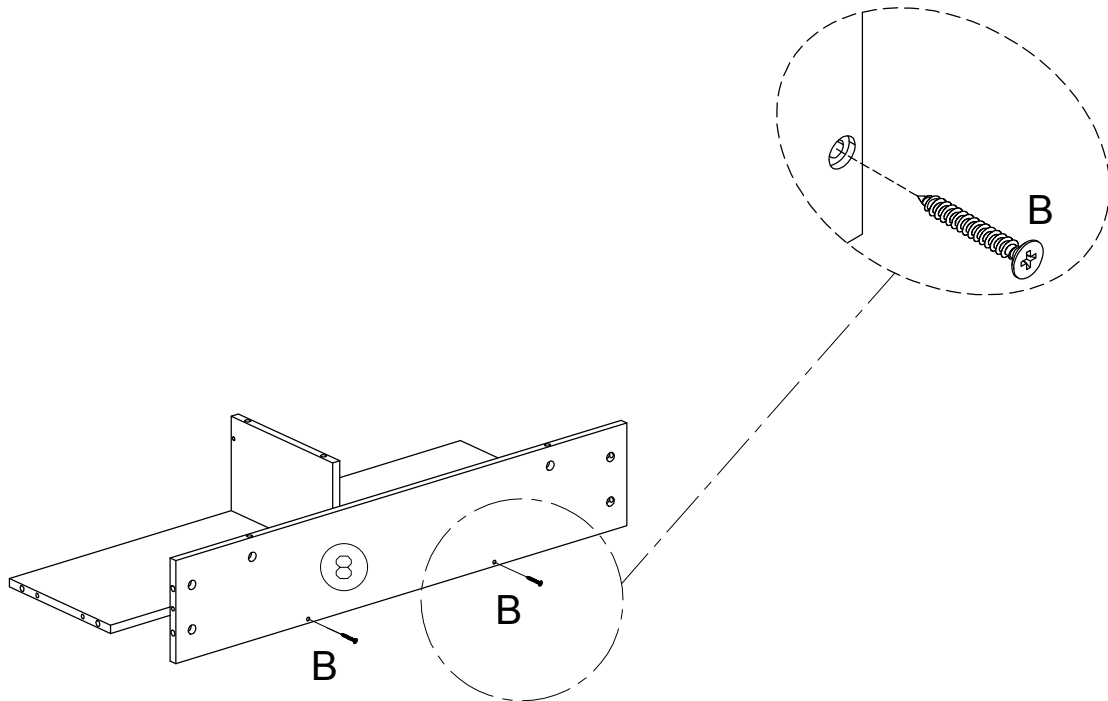


B



2

10

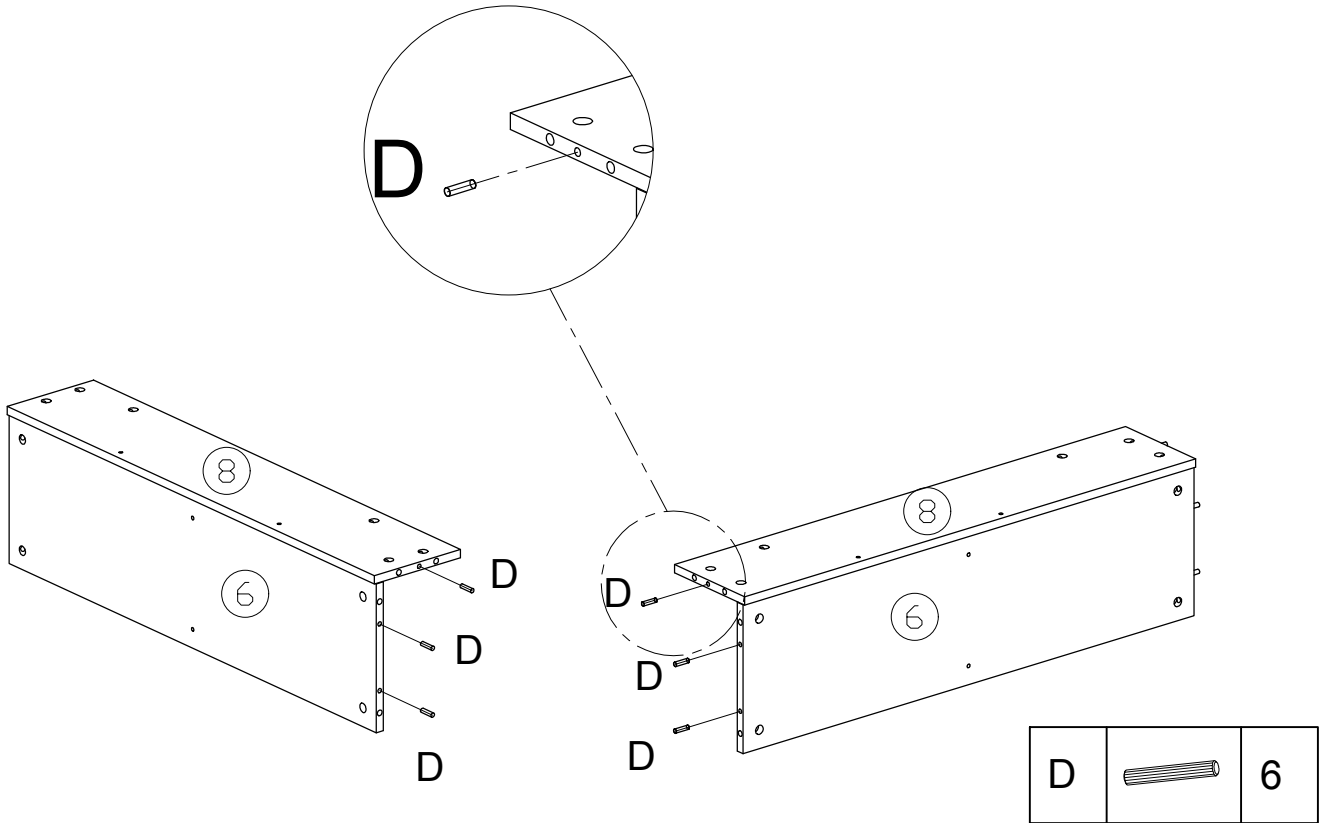


B

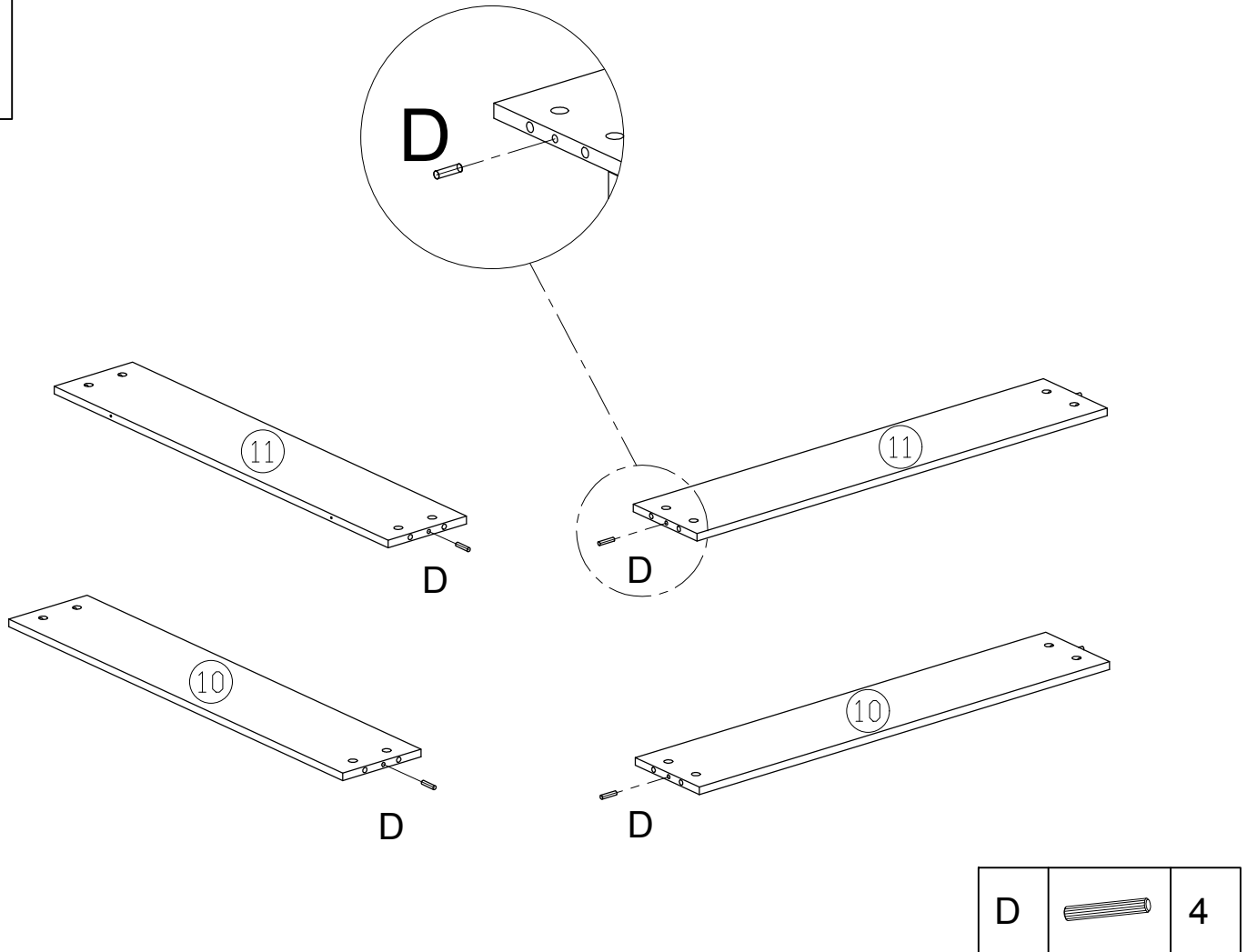


2

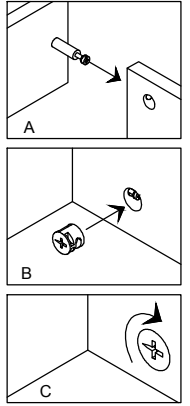
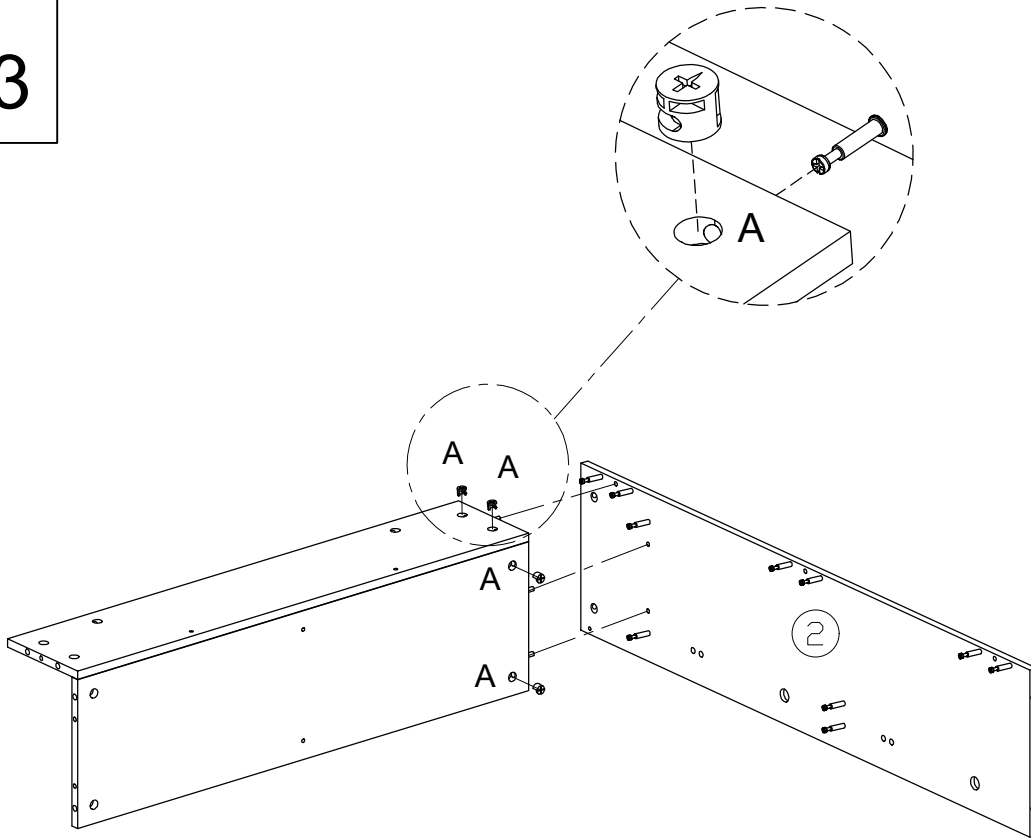
11




12

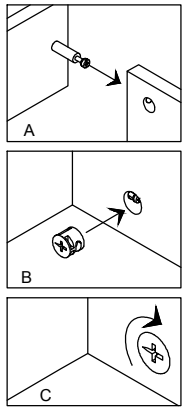
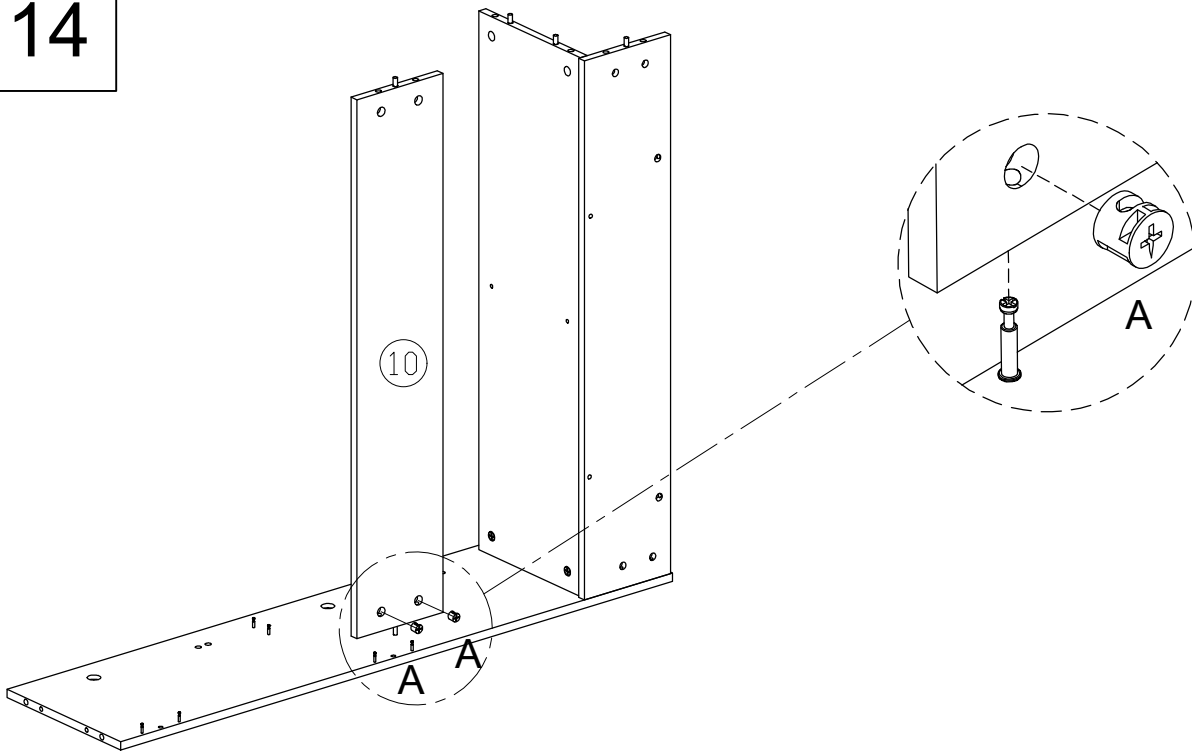



13



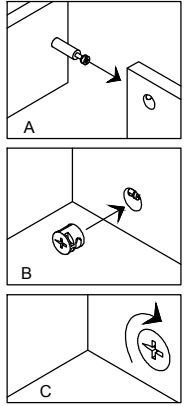
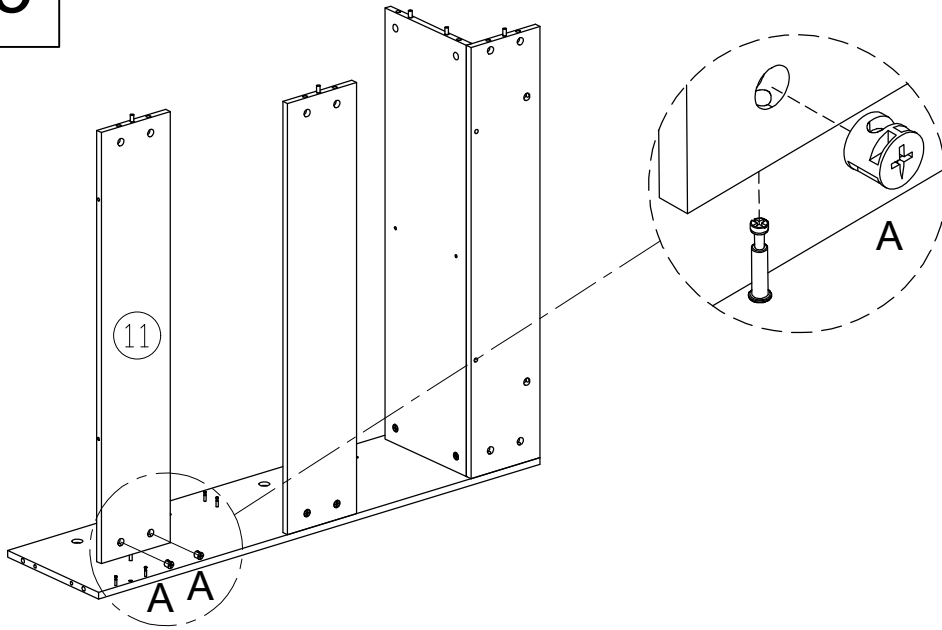
A		4
---	---	---

14



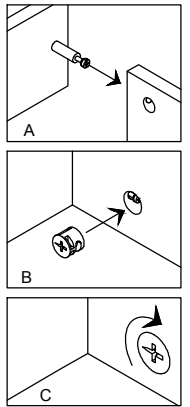
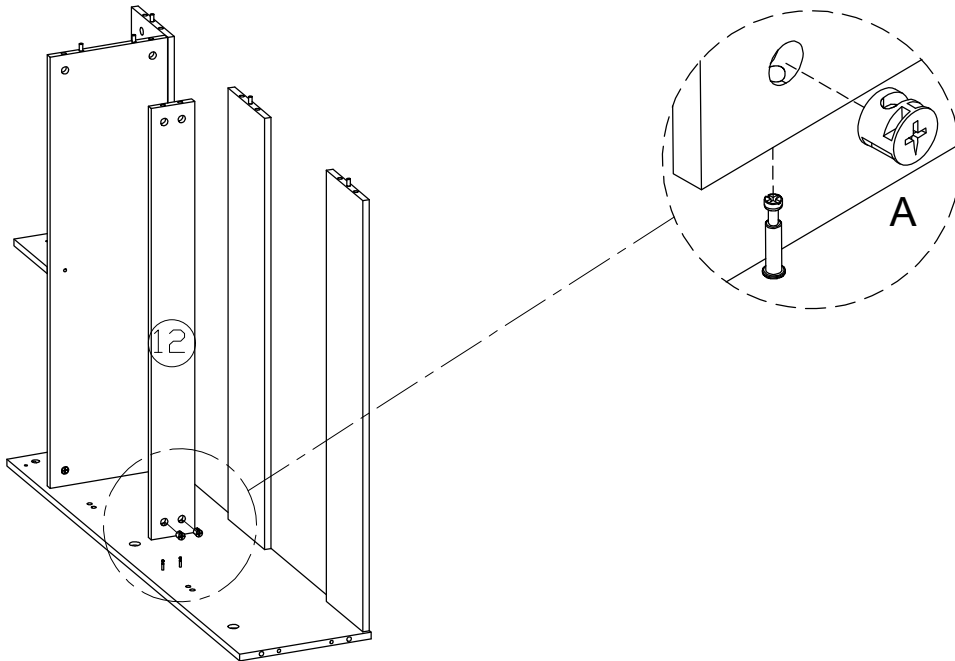
A		2
---	---	---


15



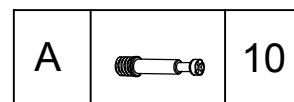
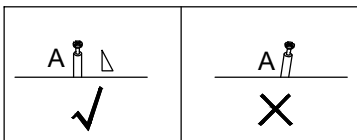
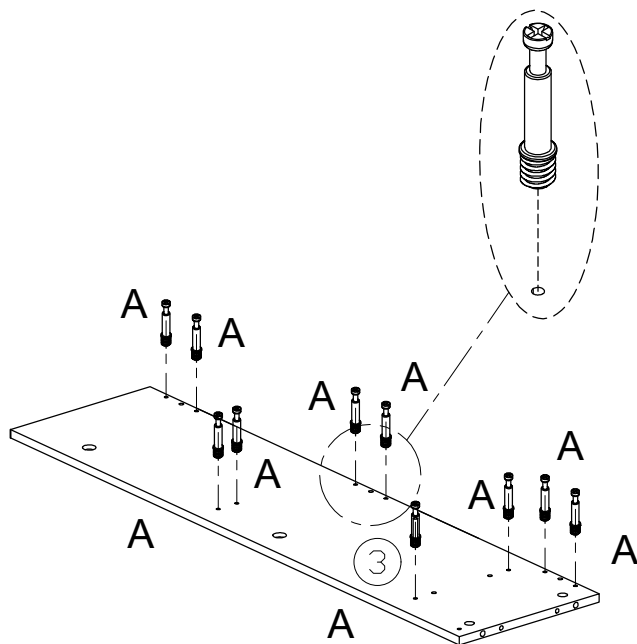
A		2
---	---	---

16

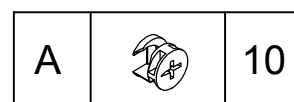
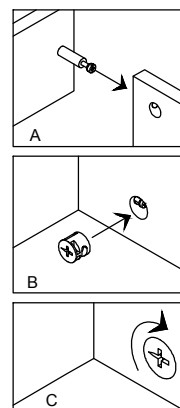
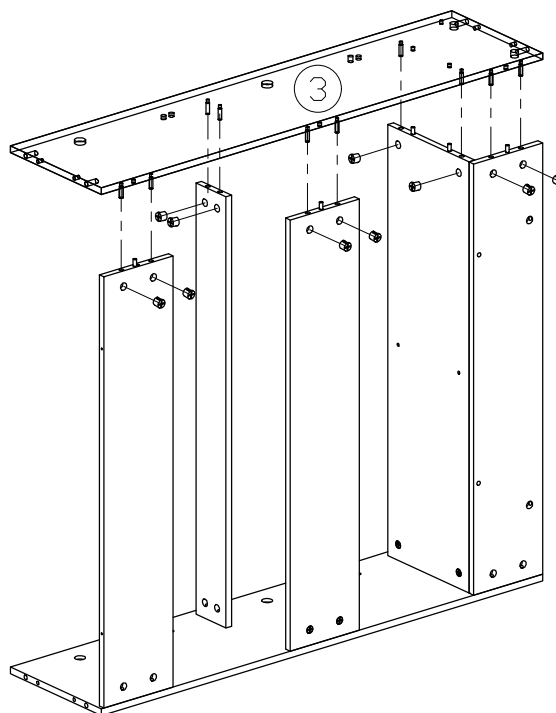
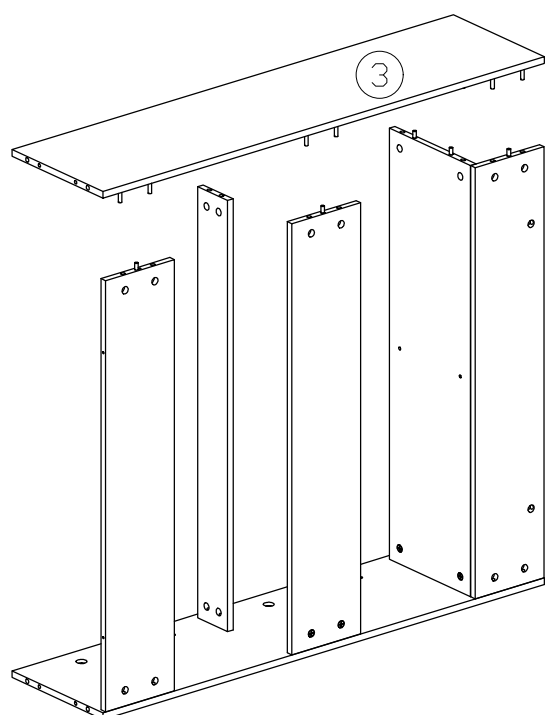


A		2
---	---	---

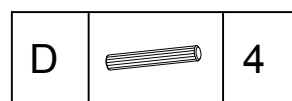
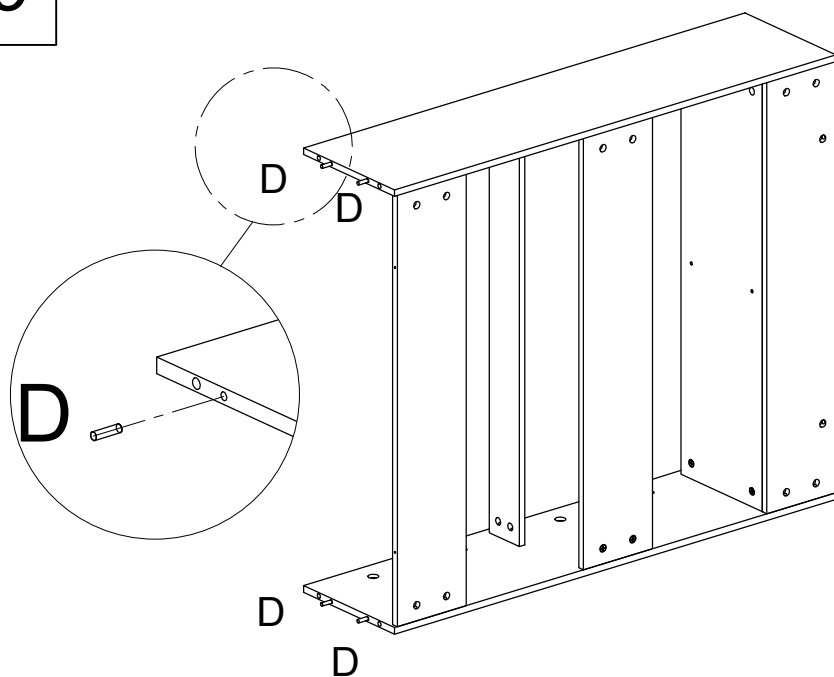
17



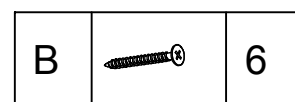
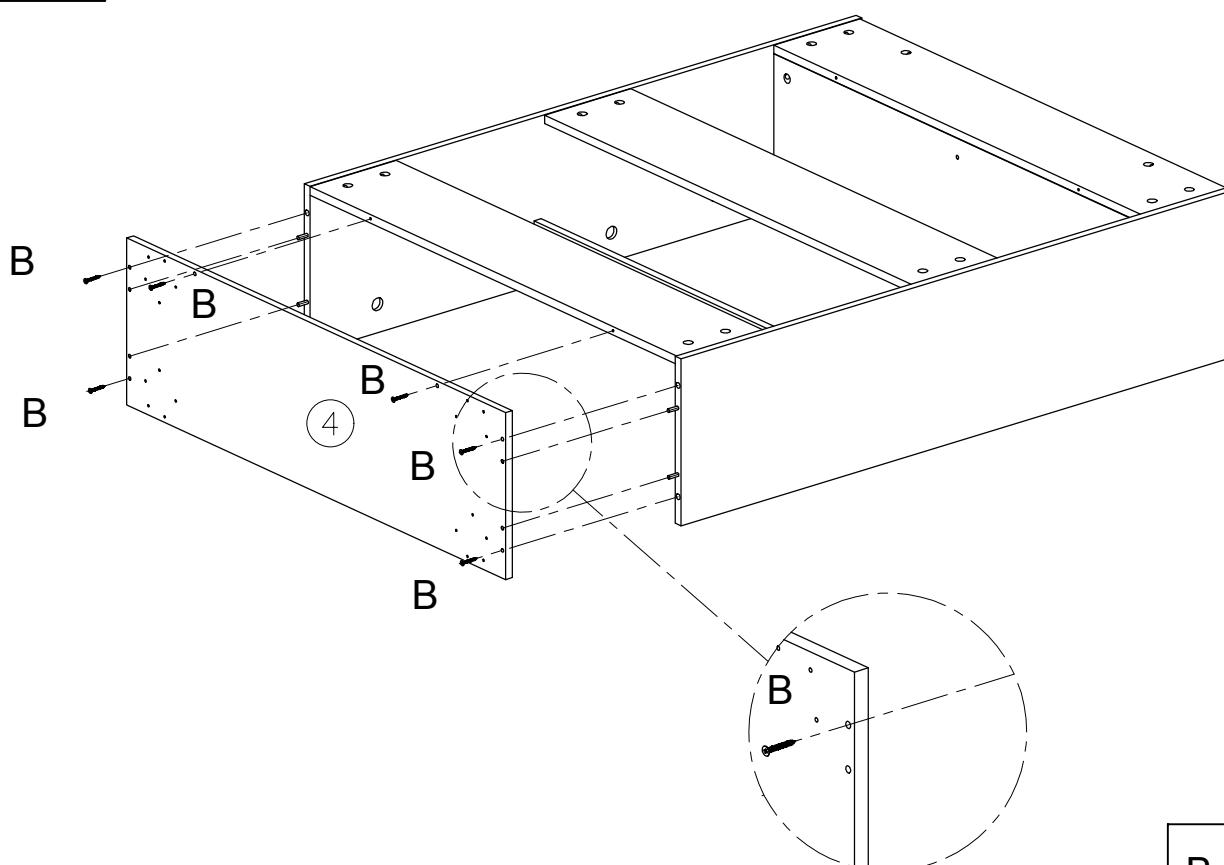
18



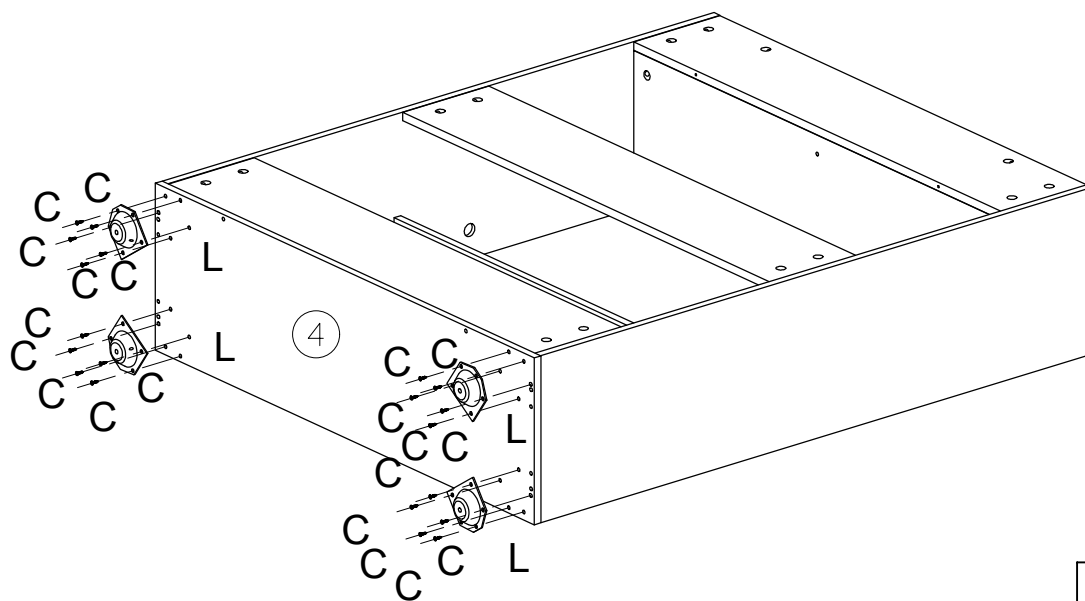
19





20

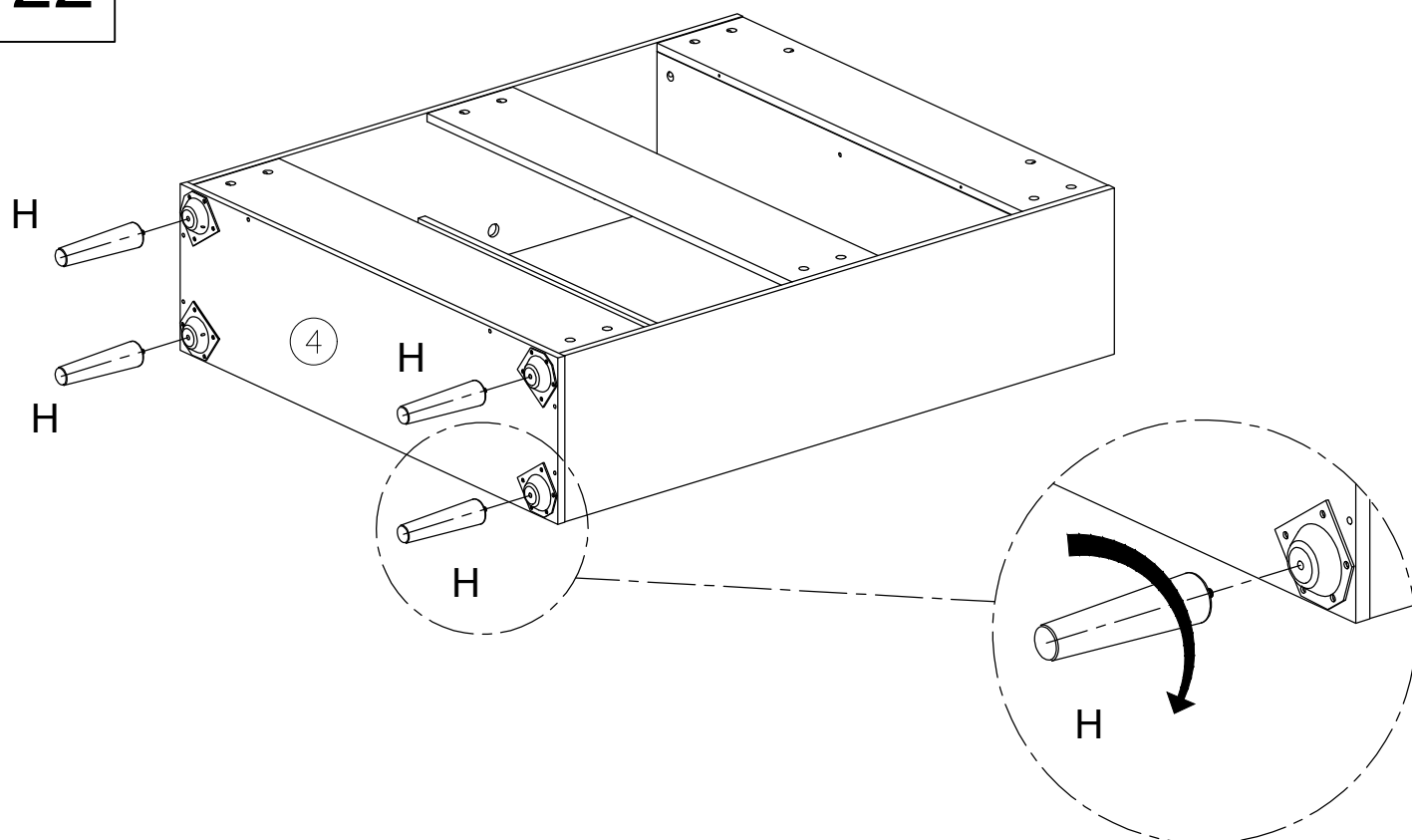



21



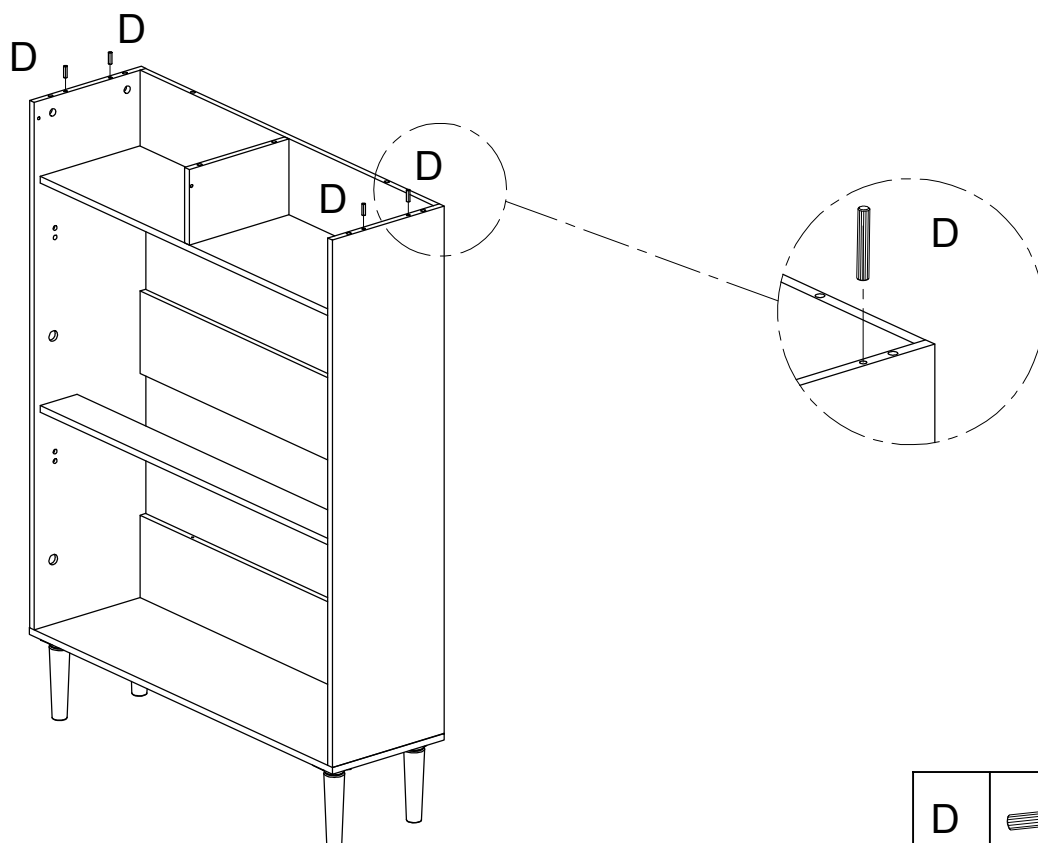
L		4
C		20


22



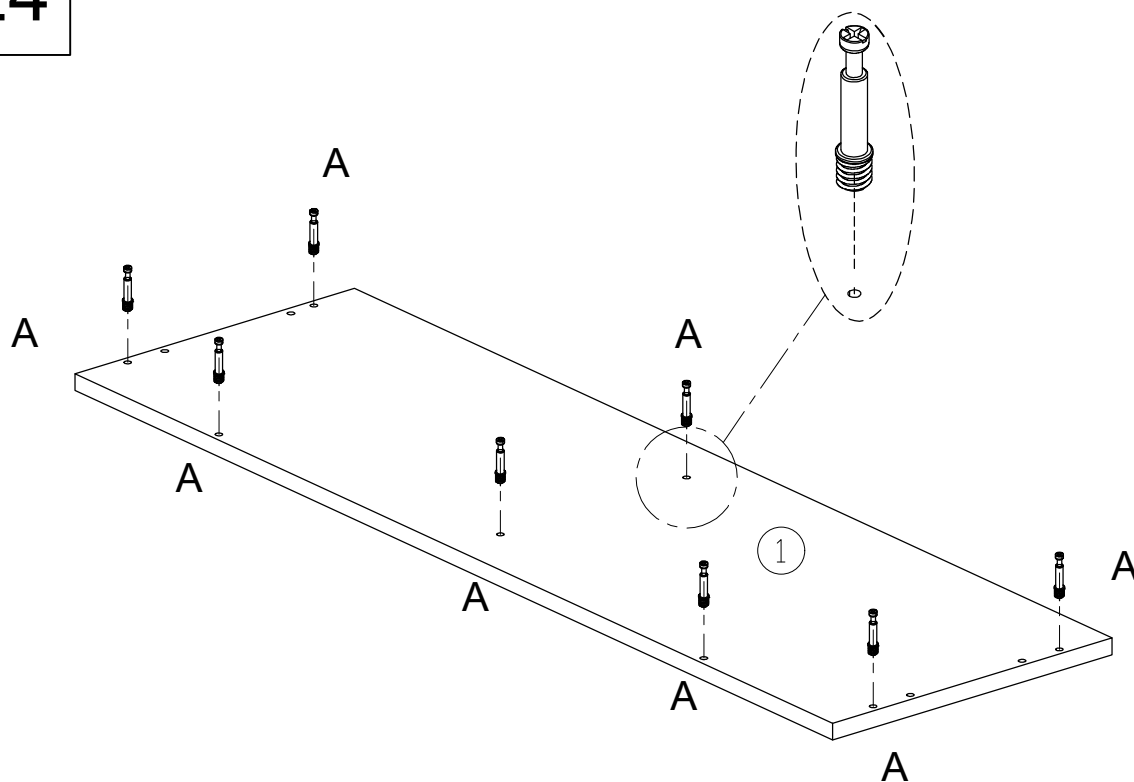
H		4
---	---	---



23




D		4
---	---	---

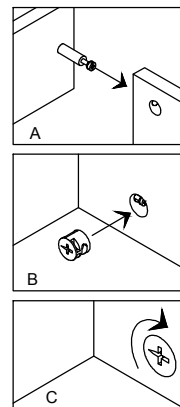
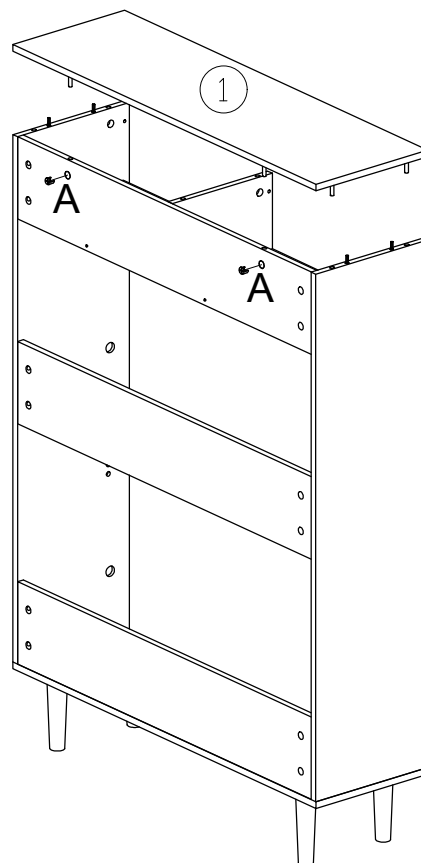
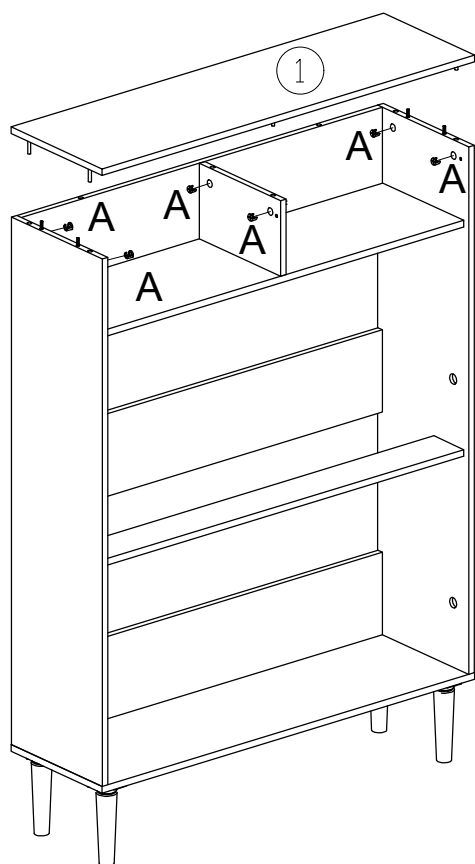
24



	
✓	✗

A		8
---	---	---

25

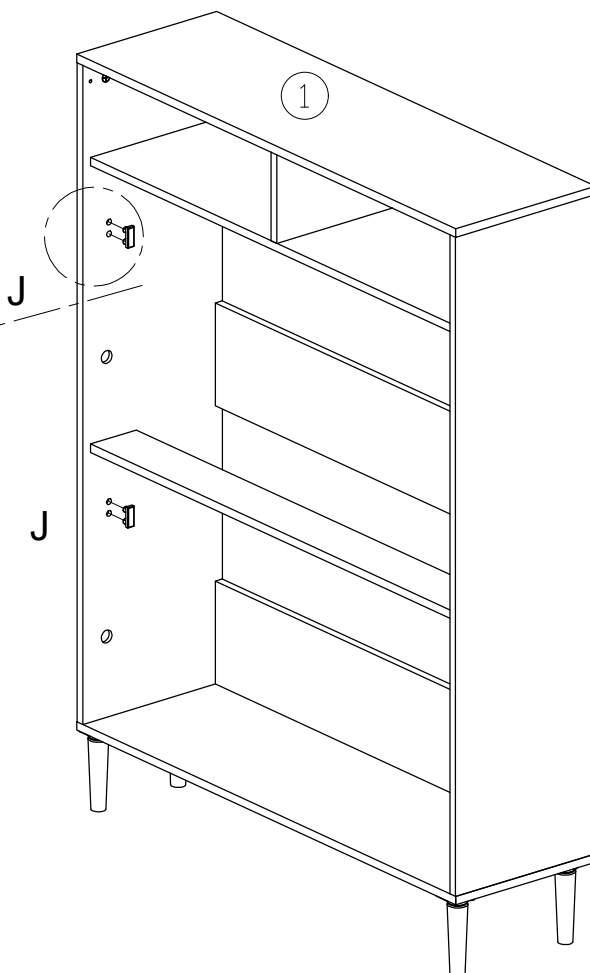
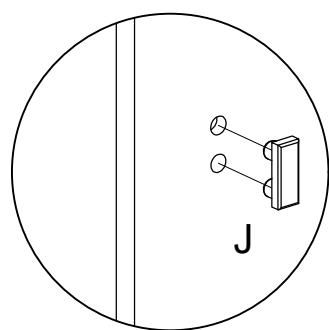


A



8

26

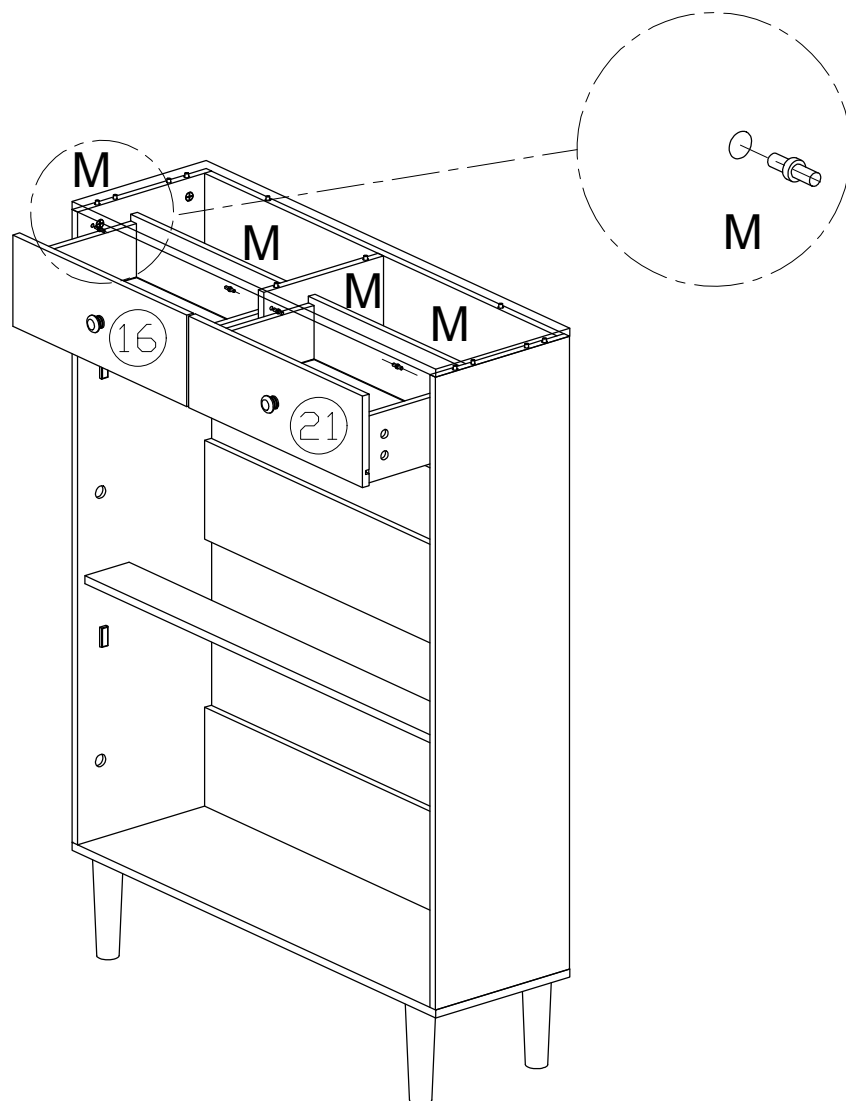



J



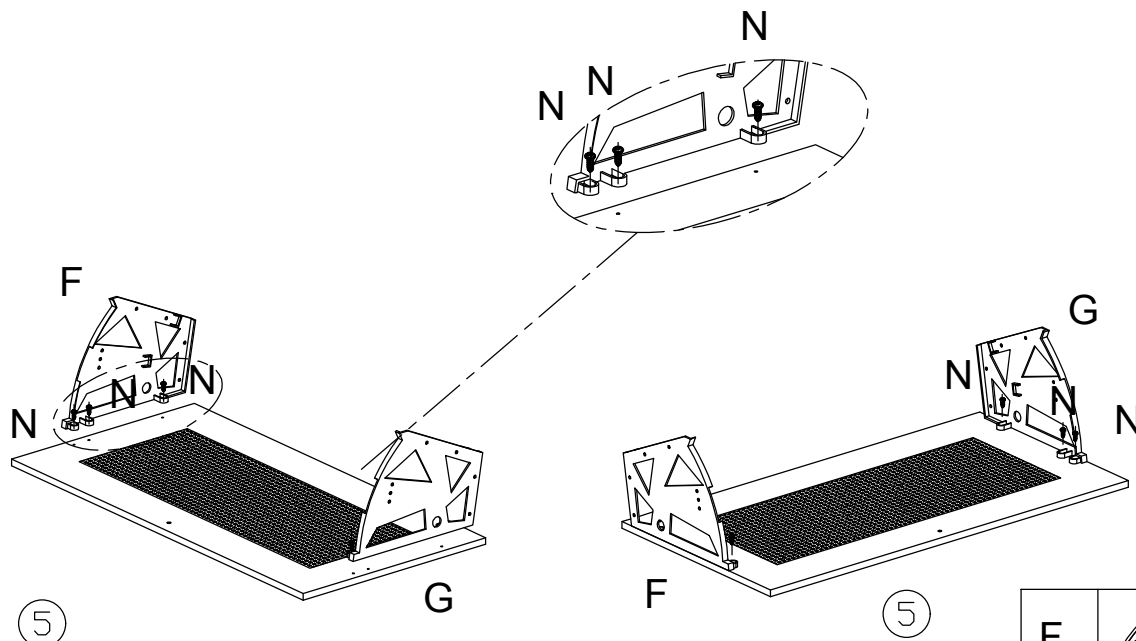
2

27



M		4
---	---	---

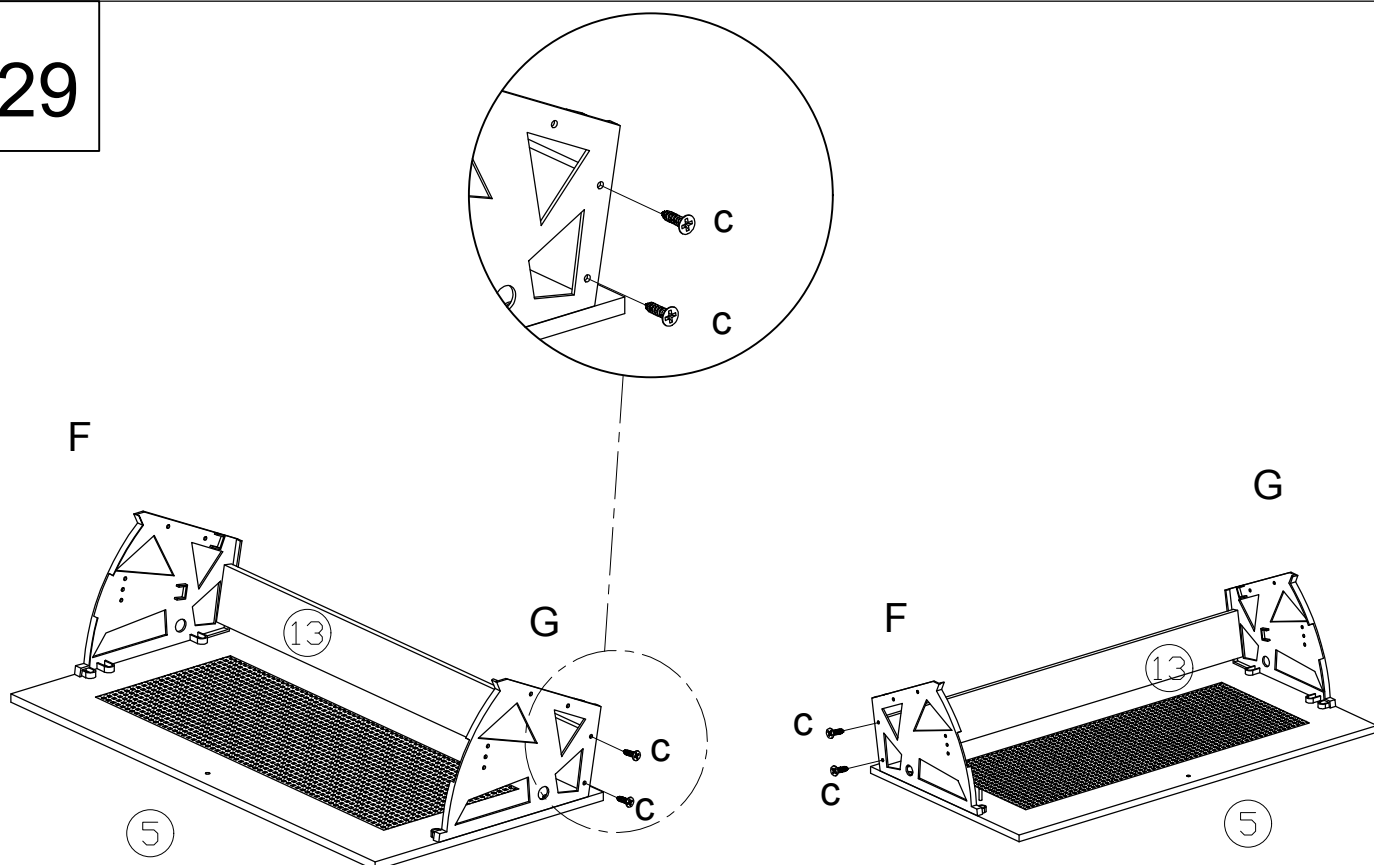
28



F		2
G		2
N		12

x2

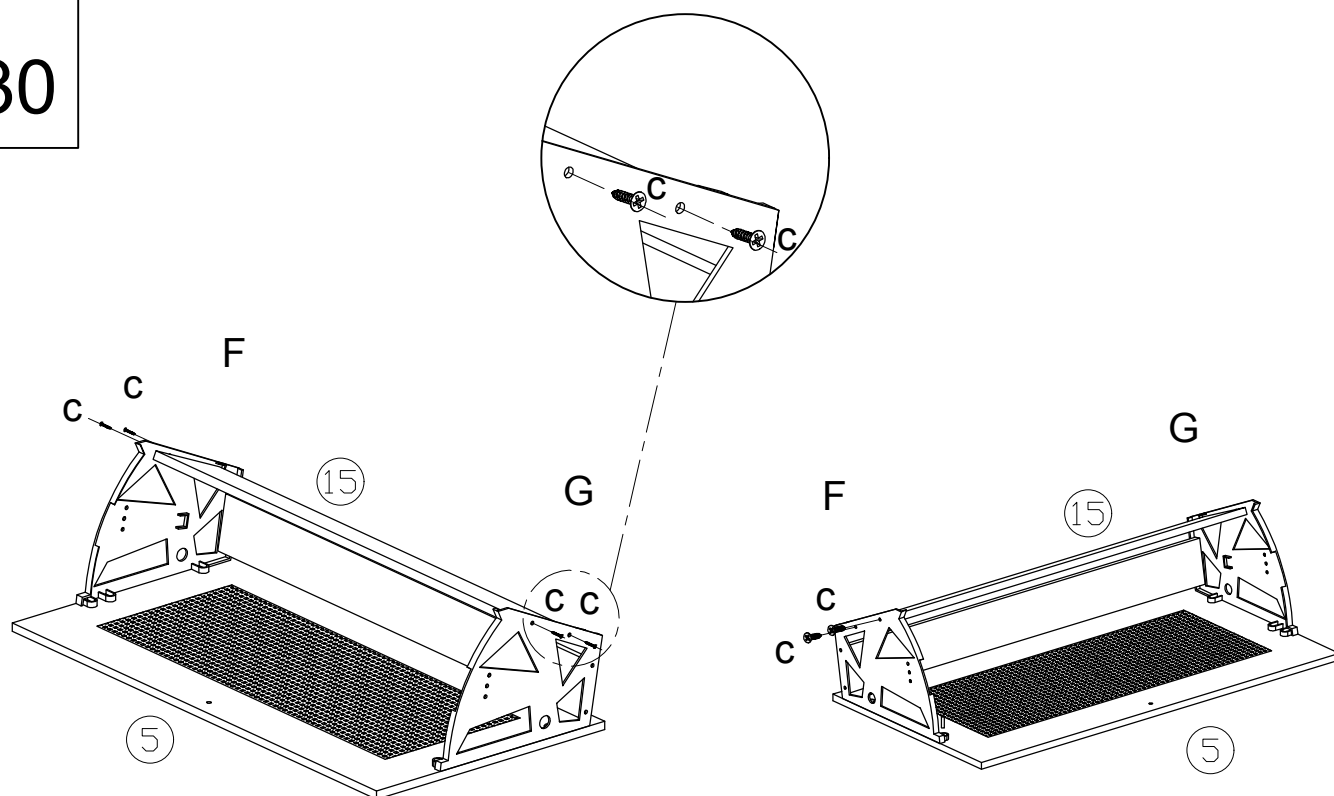
29




C		8
---	--	---

x2

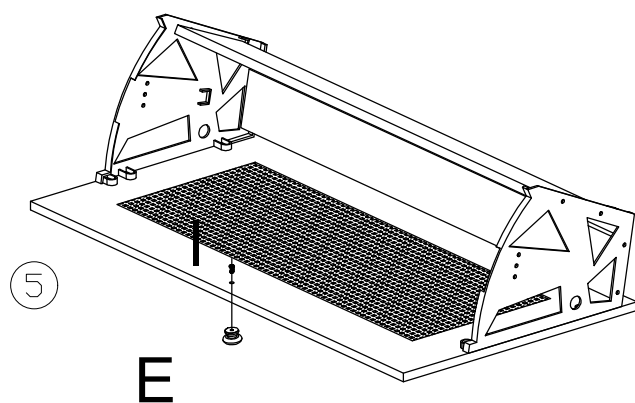
30





x2

C		8
---	---	---

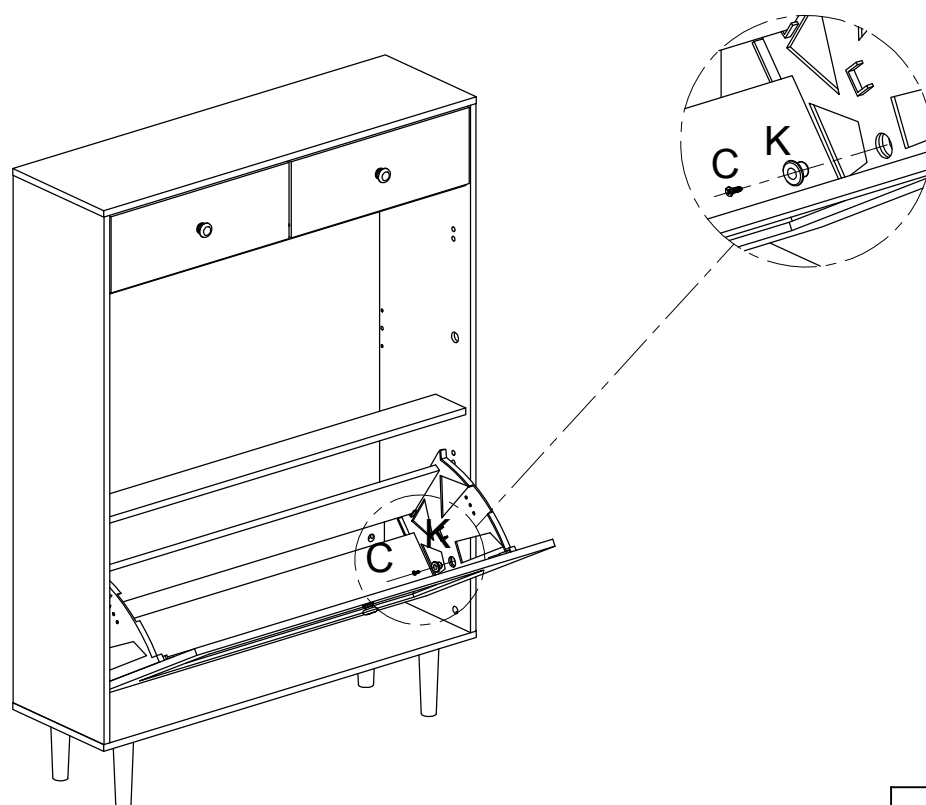
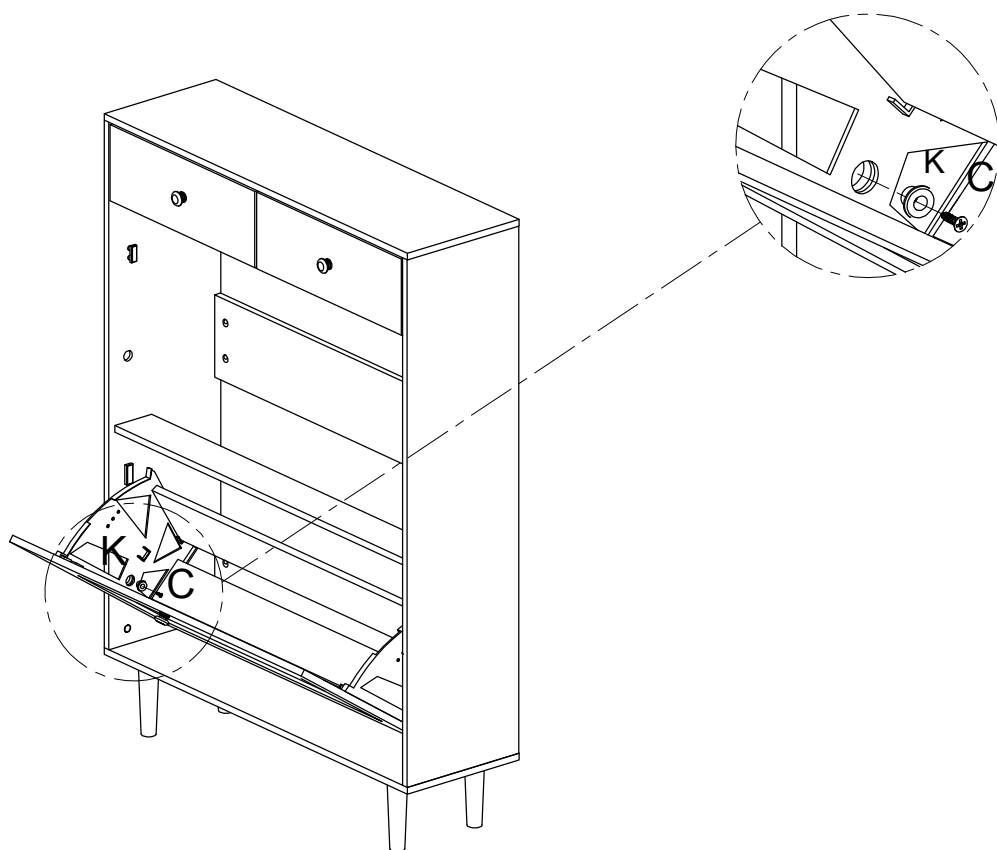
31





x2

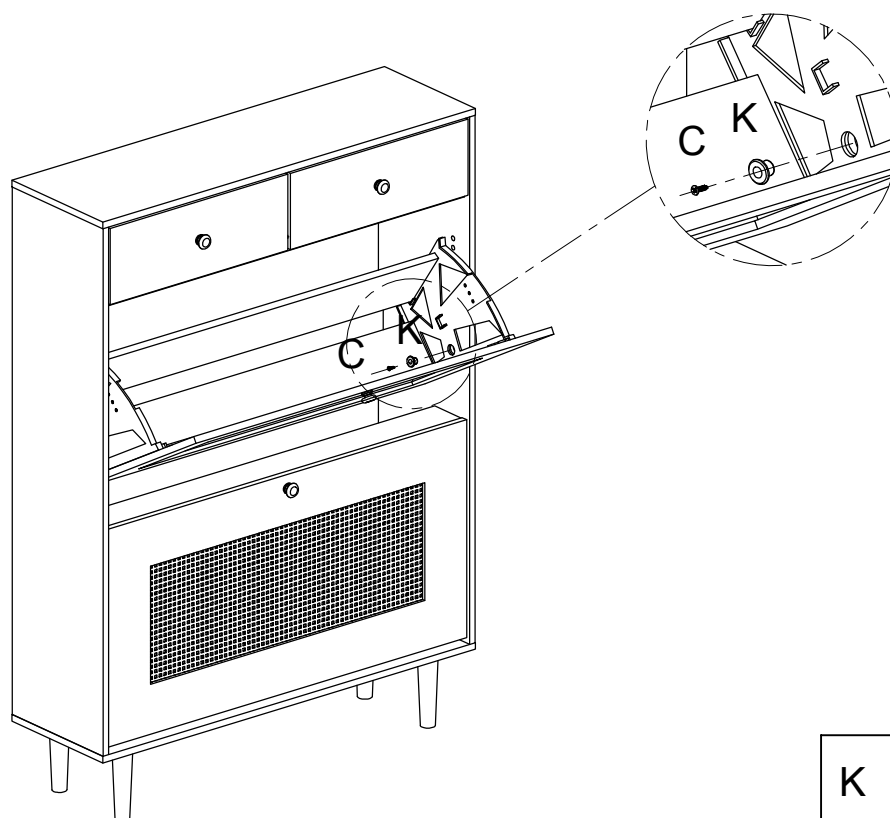
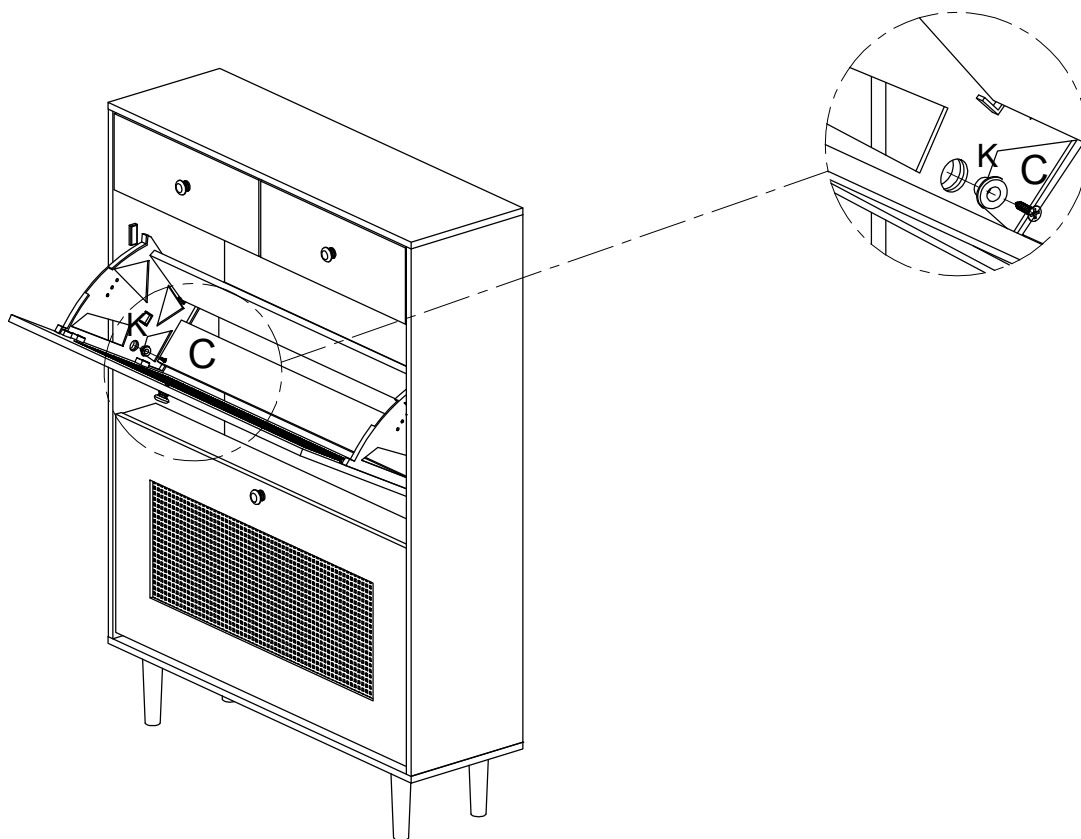
E		2
I		2



32



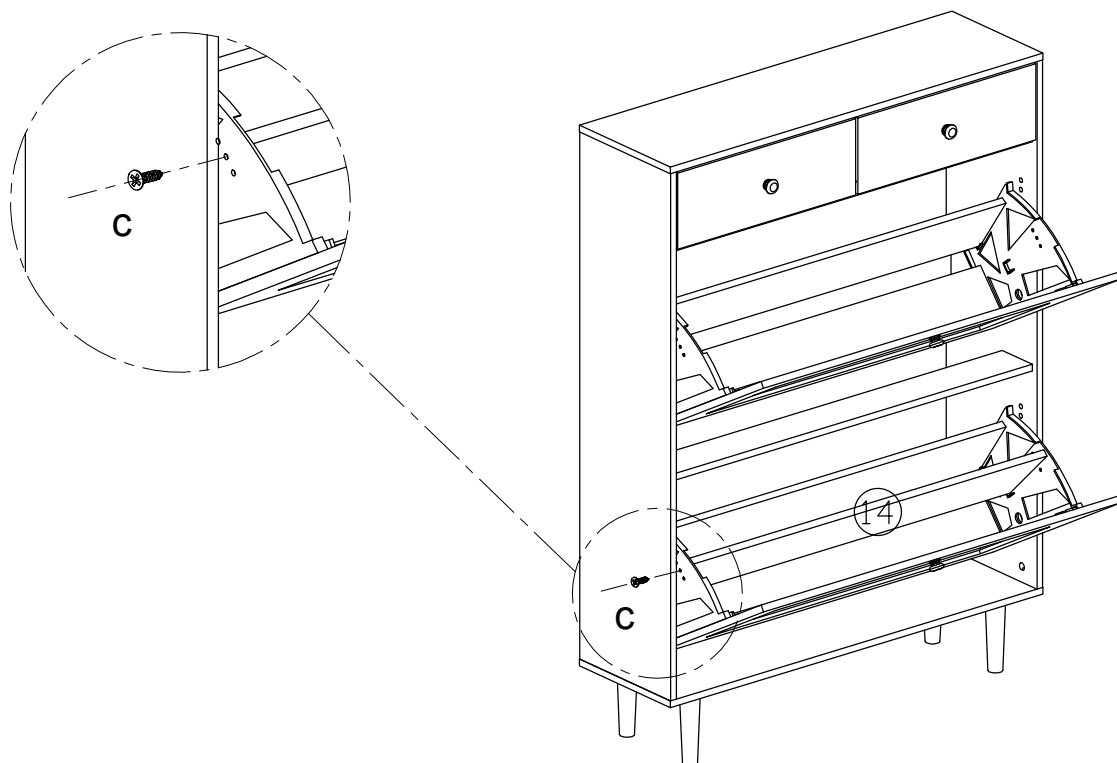
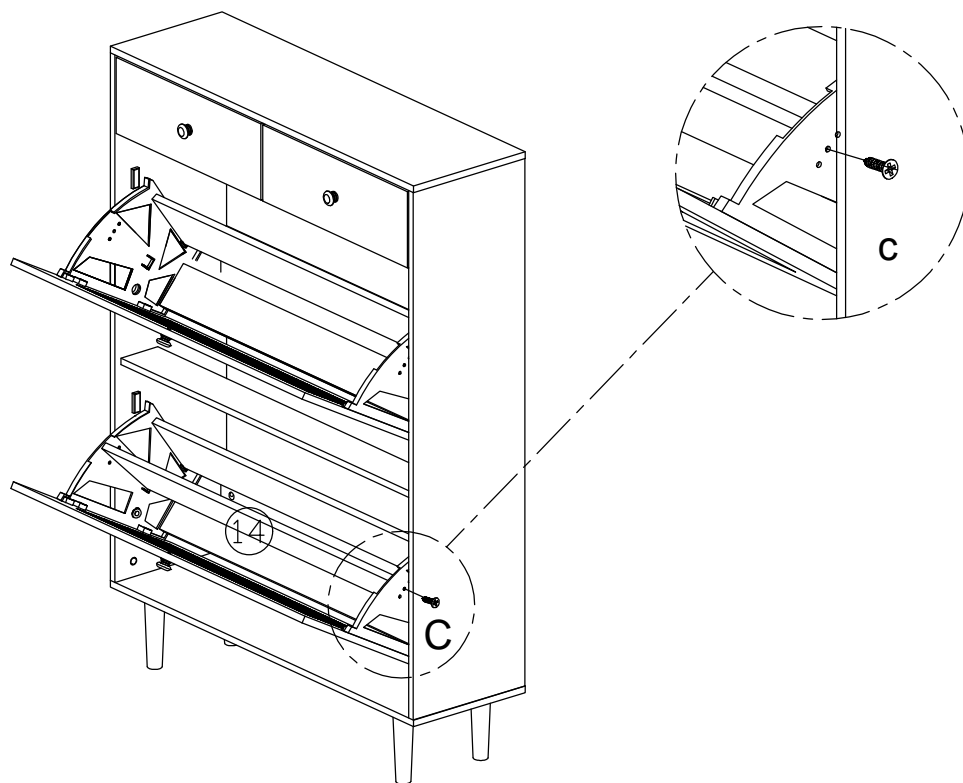
K		2
C		2


33



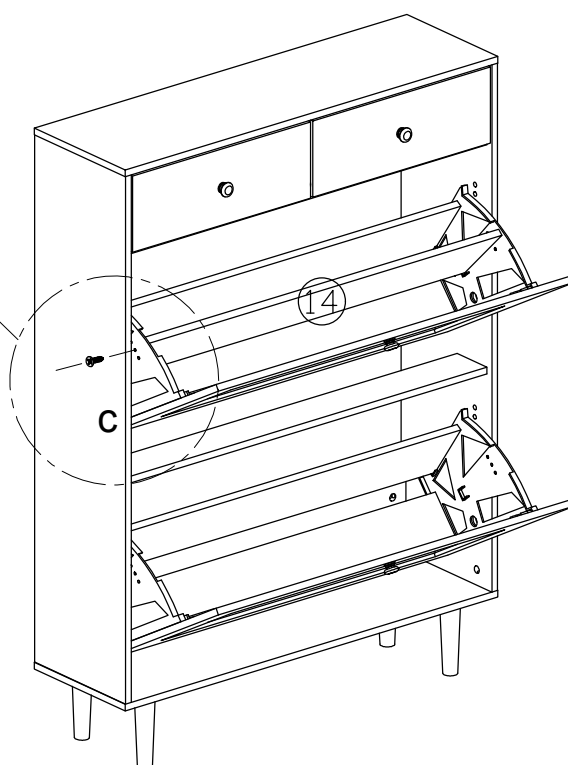
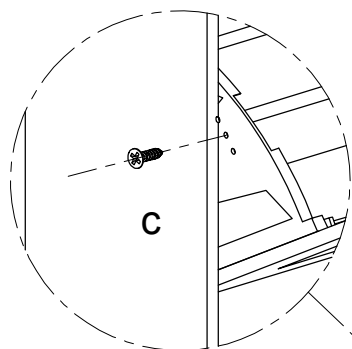
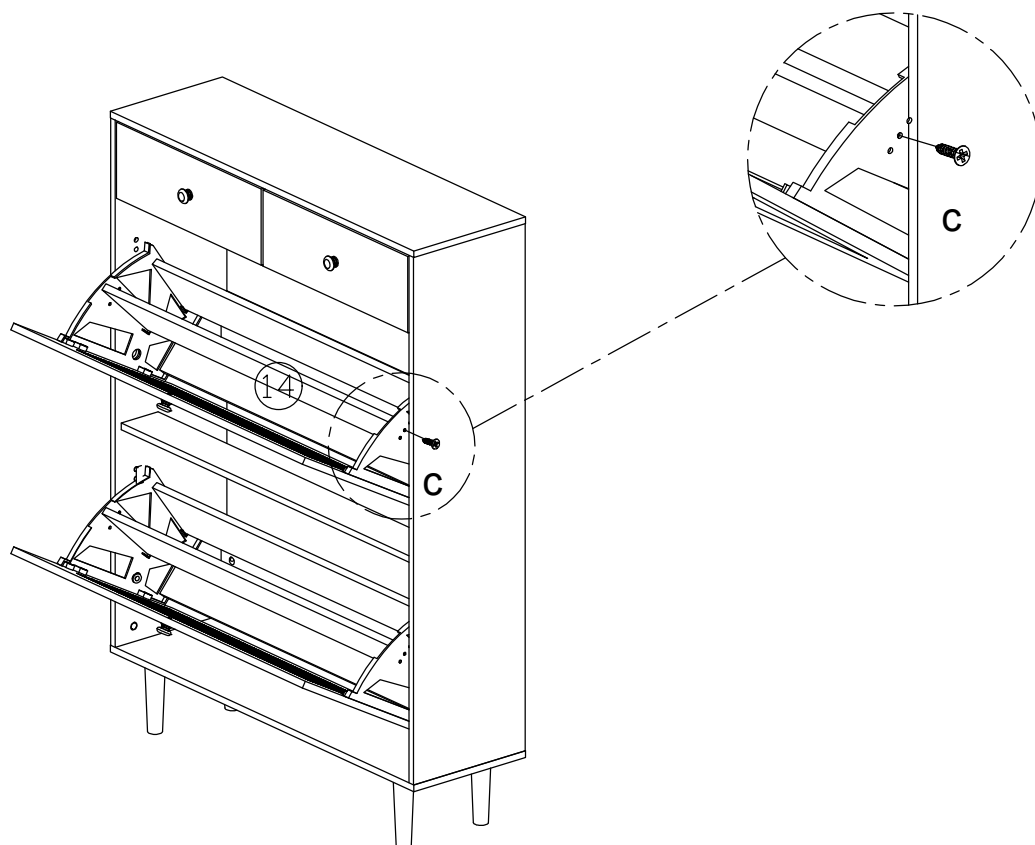
K		2
C		2

34



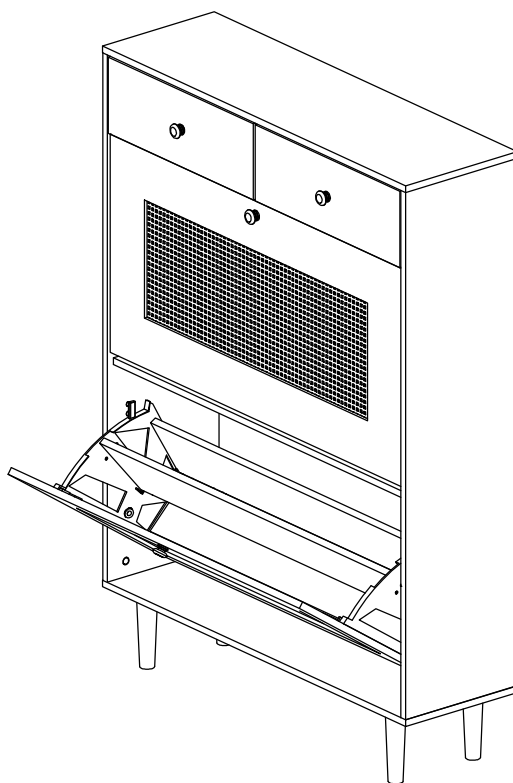
C		2
---	---	---

35



C		2
---	---	---

36



If it is not smooth,
manually adjust H