



WORX
it's your nature

Installation

Installation	EN	P04
Installation	D	P19
Installation	F	P34
Installazione	I	P49
Instalación	ES	P64
Installatie	NL	P79
Instalacja	PL	P94
Instalace	CZ	P109
Inštalácia	SK	P124
Namestitev	SL	P139
Instalação	PT	P154
Telepítés	HU	P169
Instalare	RO	P183
Instalacija	HR	P198
Installation	DK	P213
Asennus	FIN	P228
Installasjon	NOR	P243
Installation	SV	P258

Original Instructions	EN
Übersetzung der Originalbetriebsanleitung	D
Traduction de l'instruction originale	F
Traduzione dell'istruzione originale	I
Traducción del manual original	ES
Vertaling van de oorspronkelijke gebruiksaanwijzing	NL
Tłumaczenie oryginalnej instrukcji	PL
Překlad originálního návodu	CZ
Preklad originálneho návodu	SK
Prevod izvornih navodil	SL
Tradução da instrução original	PT
Fordítás az eredeti utasítások	HU
Traducerea instrucțiunilor originale	RO
Prijevod originalnih uputa	HR
Oversættelse af den originale brugsanvisning	DK
Käännös alkuperäisestä ohjeiden	FIN
Oversettelse av den opprinnelige beskrivelsen	NOR
Översättning av originalinstruktioner	SV

⚠ WARNING: Read all safety warnings and all instructions. Failure to follow the warnings and instructions may result in electric shock, fire and/or serious injury.

Carefully read the instructions for the safe operation of the machine. Save all warnings and instructions for future reference.

HOW LANDROID WORKS

In the following section, we would like to help you better understand how Landroid works.

Landroid is an autonomous machine, capable of operating on its own. It knows when it needs to go to its charging base, can sense when it is raining, can stop itself if it senses a problem and knows to stop, draw back, and turn around when it bumps into something blocking its path. To prevent an accident, Landroid will also automatically stop its blade disc from rotating if it is lifted off the ground.

Charges itself



When your Landroid needs to recharge, it will stop mowing and follow the boundary wire in an anti-clockwise direction back to its charging base. Once charging is complete, Landroid will automatically resume mowing or stay in the charging base according to its mowing schedule.

Border management



Landroid is programmed to mow the grass along the perimeter of your lawn twice a week on Monday and Friday. If you want to change this pre-set, you can modify it via your smartphone or by using the control panel in “Work time-Customize Work time” menus. See detailed instructions at the end of this manual.

Rain sensor



Landroid is 100% weather proof and happy to be outside. But mowing wet grass does not give you the best finish or result. Landroid is equipped with a rain sensor which detects rain and tells Landroid to stop mowing and go back to its charging base.

Rain delay time



After a rainfall, Landroid re-starts when the grass is no longer wet. The default Rain Delay time is 180 minutes. You can change the Rain Delay time setting via Landroid App

In more extreme weather



In case of a lightning storm, protect Landroid by unplugging the charging base, disconnecting the boundary wire, and making sure Landroid is not allowed to charge. In the Winter and especially in case of very cold weather and snow, we recommend you store your Landroid inside. In some countries we offer a Winter servicing of your Landroid so it's ready for the Spring growing season. Contact your dealer or check online for more details.

No more grass clippings to collect



Landroid's daily mowing produces very short clippings that don't need to be raked. These clippings are a perfect organic nutrient for your lawn. Frequent mowing boosts the density of grass blades and effectively prevents the propagation of weeds.

Cut to edge



The special offset blade gets as close as possible to the border of your lawn, leaving you little or no trimming to do.

Cutting Height



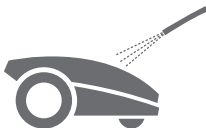
Before starting your Landroid for the first time, make sure your grass is no longer than 10cm. If longer, use a regular mower to cut it before operating Landroid. If you want to drastically shorten the height of your grass, it is recommended that you do so progressively, by adjusting the cutting height in steps.

Security & PIN Protection



To prevent unauthorised people from being able to use it, Landroid is protected by a PIN code that you can easily set up.

Easy clean-up



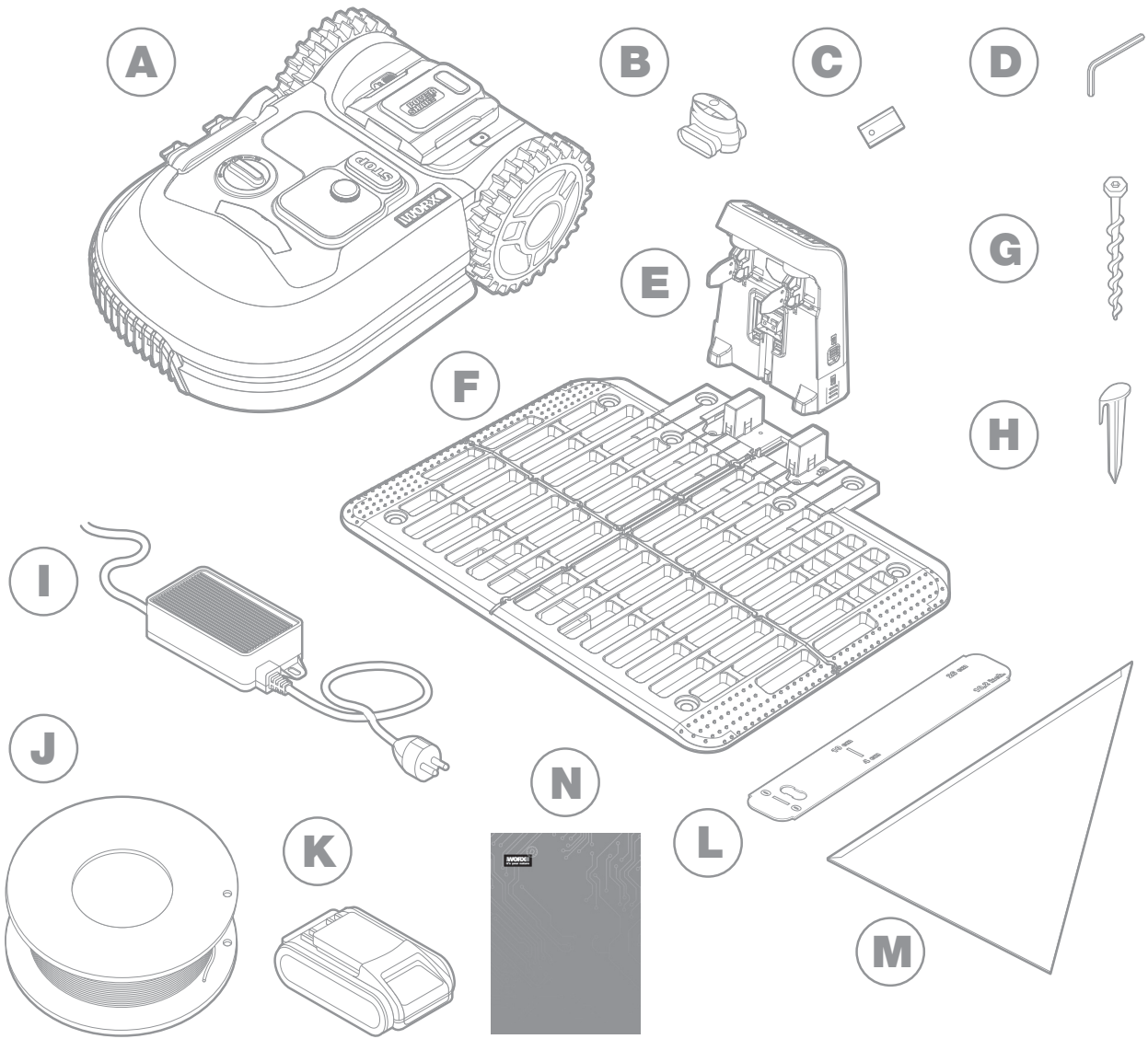
Thanks to its IPX5 waterproof, Landroid gets rid of dirt, grass, and sorts of grim that it picks up on work. Make Landroid look and perform even better.

GroundTracer



With the new auto-lifting design, its blades can raise automatically, giving it more clearance. This helps Landroid avoid certain situations that would block other robotic mowers.

WHAT'S IN THE BOX



The picture is only for reference

- A** Worx Landroid

- B** Wire repair connectors

- C** Spare blades kits

- D** Hex key

- E** Charging pile

- F** Charging base

- G** Screws

- H** Wire pegs

- I** Power supply

- J** Boundary wire

- K** 20V battery

- L** Boundary wire distance gauges

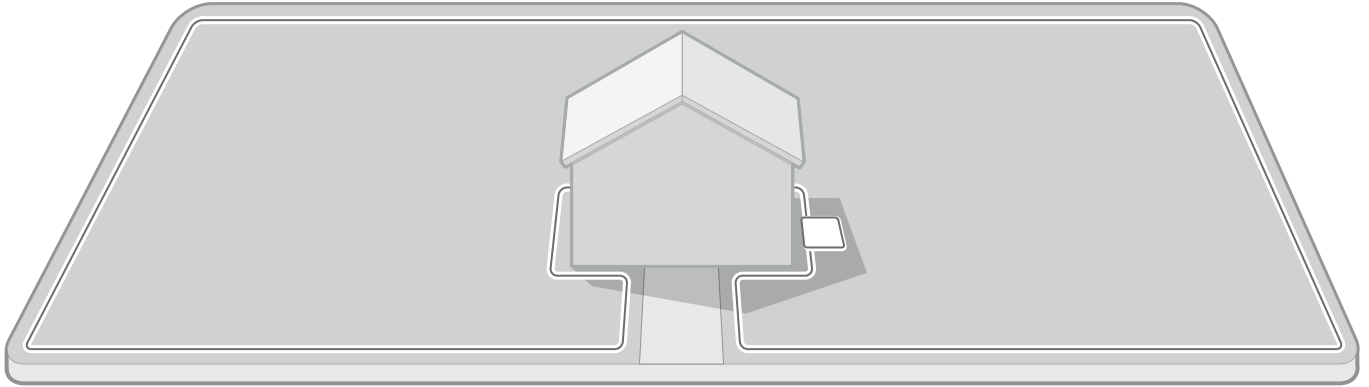
- M** Bertelsen ruler

- N** Manuals

INSTALLATION

Installing your Worx Landroid is easier if you carefully follow these instructions. In the end, it is a matter of installing the charging station and laying the boundary wire all around your lawn. In addition to this manual, you can use the Get Started guide that's inside the box and watch the comprehensive video tutorials on our YouTube channel*.

* This information is provided for your convenience but does not replace the instruction manual and the safety instructions that needs to be read and understood.



Patrol your lawn to plan installation

Install the charging station

Lay the boundary wire

Connect charging station to AC

Power up Landroid. Test and get ready to mow

EVERY MINUTE SPENT IN PLANNING SAVES YOU 10 MINUTES IN EXECUTION

Installing Landroid is even easier if you have made a clear idea of what you need to do. Proper planning will also help you avoid mistakes or having to rework the installation once it's done.

1. On the surface or buried?

Landroid's boundary wire is designed to stay on the surface of your lawn. Nearly invisible from the first day, it will be engulfed in the soil in a few weeks. If you will want to bury the wire, it is recommended to first peg it down and test the installation is successful by running Landroid over the perimeter. This allows you to easily check everything and, if necessary, change the layout before burying the wire. Bury the wire no more than a few centimetres below ground level, so that the wire ensures good signal.

2. Plan for the charging station

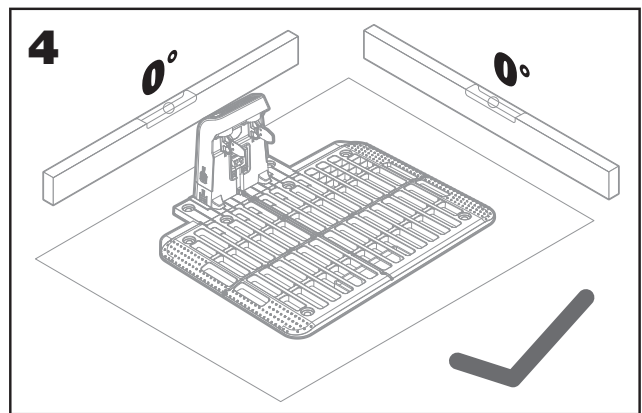
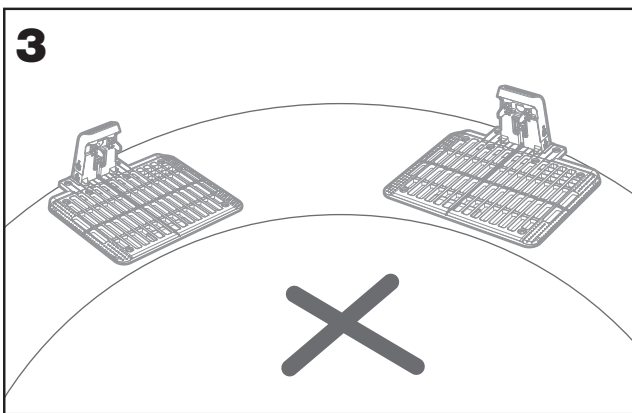
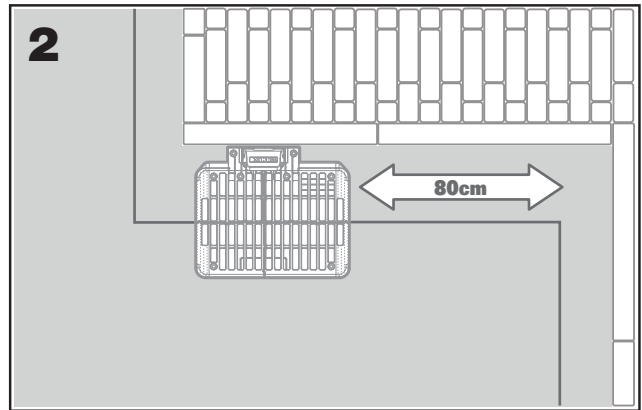
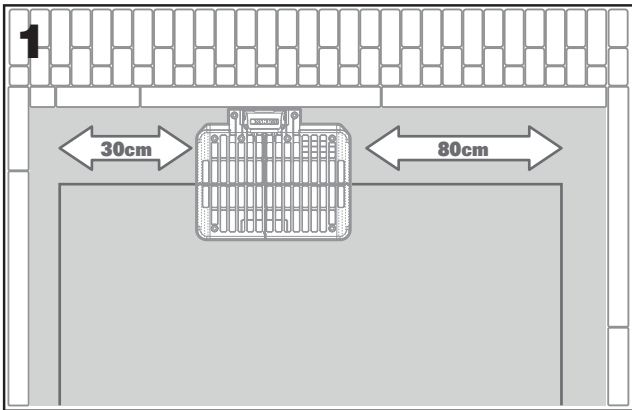
The charging station is where your Landroid goes to have its battery recharged. It's also the parking lot where it rests in between one mowing session and the next.

Locate a proper position for it, bearing in mind:

- A. It needs to be powered, so it should be no more than 10m away from an AC mains outlet
- B. If possible, choose a shaded position as batteries and chargers don't like over-heating
- C. The base needs to sit on flat land to ensure effective docking
- D. Avoid places close to irrigation sprinklers

You can place the charging station on your lawn or on a hard surface like a walkway, provided that the lawn and the hard surface are at the same height (no steps).

To enter the station, Landroid needs at least 80cm straight path in front. On the exit side, it needs at least 30cm straight path before a left turn (fig. 1). If the turn is to the right, there is no need for a straight path (fig. 2).

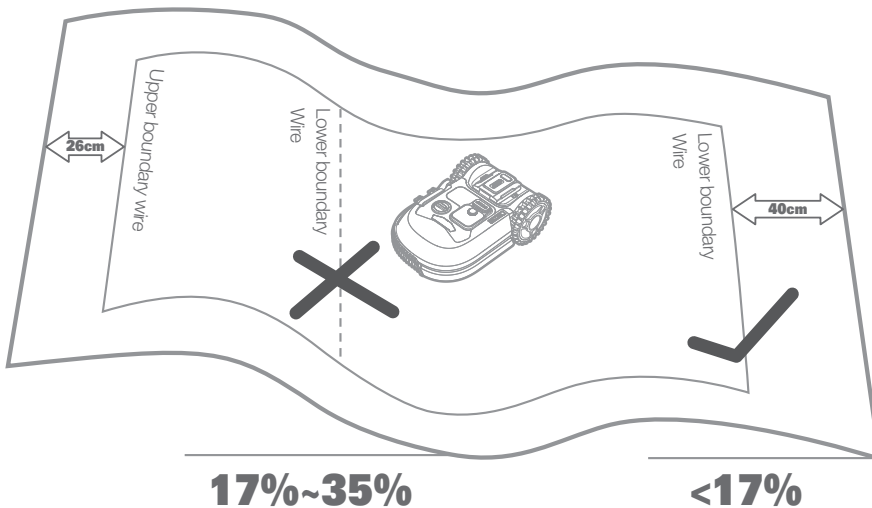


3. Charging station checklist:

- A. within reach of AC mains
- B. in shade
- C. straight path on entrance; straight path on exit if necessary
- D. flat land
- E. no irrigation sprinklers nearby

4. Placement of boundary wire on slopes

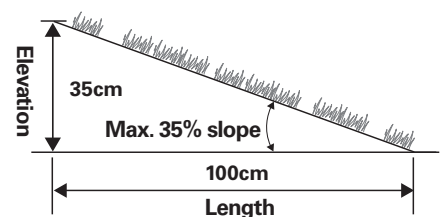
The upper boundary wire should NOT be placed on slopes steeper than 35% (20°)*. The lower boundary wire should NOT be placed on slopes steeper than 17% (10°), and it should be placed at least 40cm away from any obstacle when positioned on a slope that is 17%.



*How to calculate the slope of your lawn:

The slope would be:

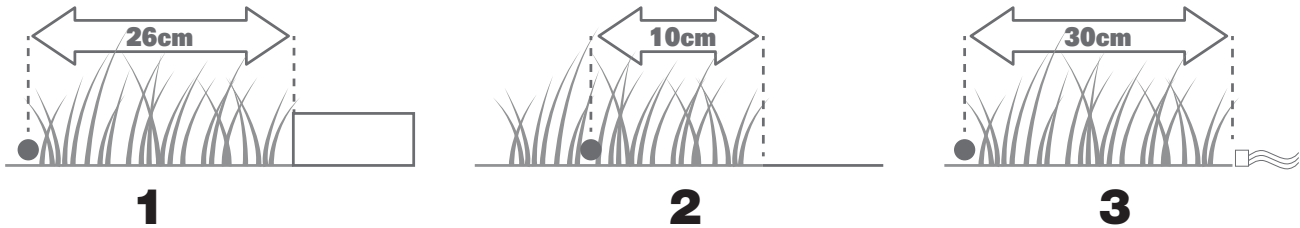
$$\frac{35 \text{ cm (Elevation)}}{100 \text{ cm (Length)}} = 35\% \text{ (slope)}$$



5. Plan for the boundary wire

The wire has to be placed at a certain distance from the edge of the lawn. This distance changes depending on what's on the other side of the edge. Different parts of your lawn may border different scenarios:

- A. If the edge of the lawn borders a step: keep the wire 26cm from the edge. (figure 1)
- B. If the edge of the lawn borders a path at the same height: keep the wire 10cm from the edge. (figure 2)
- C. If the edge of the lawn borders a pool: keep the wire at least 30cm from the edge. (figure 3)



If a side of your lawn borders a neighbor's lawn with a robotic mower in use, lay your wire at least 1m apart from your neighbor's wire to avoid possible interference.

PATROL YOUR LAWN

Landroid is designed to manage the most complex of lawns. Carry out a visual inspection of your lawn so you are prepared for a trouble-free installation of the boundary wire.

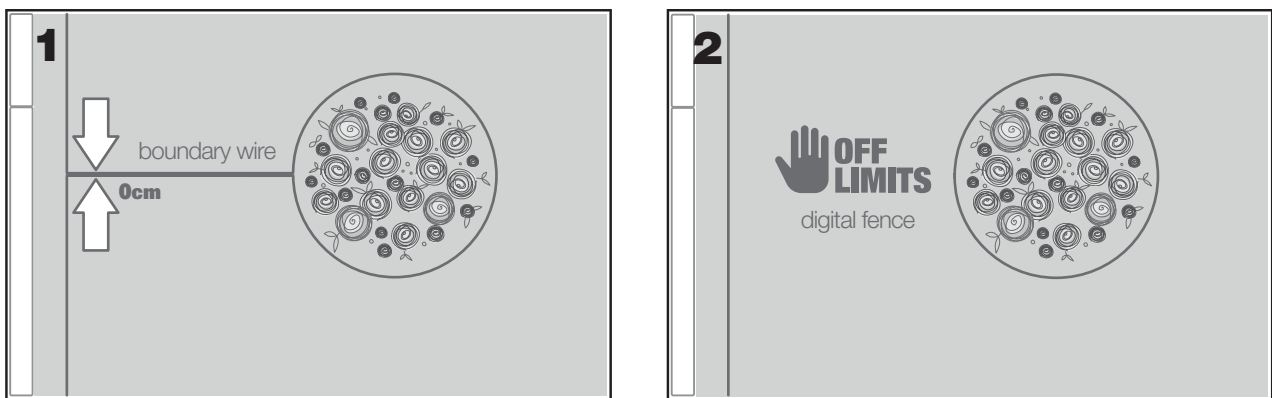
1. Identify forbidden areas

You don't want your robot mower to mow flowers, dive into a water feature, or shred tree roots that emerge from the ground. Locate these areas and surround them with boundary wire to prevent Landroid from accessing them.

The boundary wire is a single loop connected on both ends to the charging station, so you will have to depart with the wire from the border, surround the area you want to protect, then take the wire back to the border as illustrated here in fig. 1.

If areas to be surrounded are far away from the border of your lawn, or if you have several areas and tree roots to protect, this traditional method is time consuming.

A great alternative is to purchase Landroid's Off-Limits option. With this, you simply surround forbidden areas with the Off-Limits digital fence, which does not need to be connected to the boundary loop (fig. 2). The Off-Limits digital fence is also great to protect seasonal equipment (e.g. a trampoline) or for protecting new changes to the layout of your lawn without having to rework the boundary wire.



2. Identify obstacles

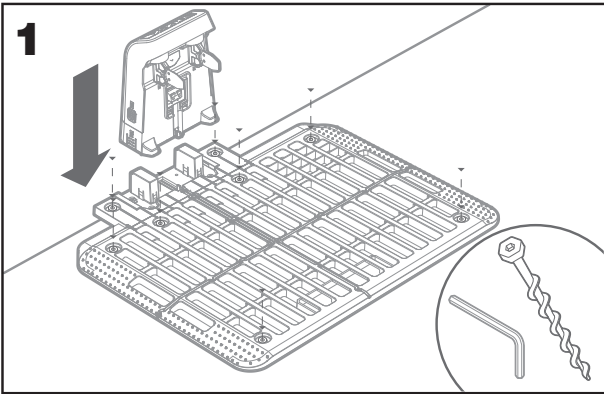
Landroid's bump sensor can manage solid obstacles such as trees, furniture and the like, which don't need to be surrounded by wire. If your lawn has several obstacles and trees close to each other, we recommend you to purchase the Landroid ACS option, an intelligent ultrasonic auto-pilot that makes your Landroid steer around obstacles instead of bouncing into them.

NOW ROLL YOUR SLEEVES UP. WHEN IT'S DONE IT'S DONE!

Now that you have planned the installation in every detail, you are ready to take action. Before starting, you may want to use your old mower for the last time to clean up your lawn and make the installation easier.

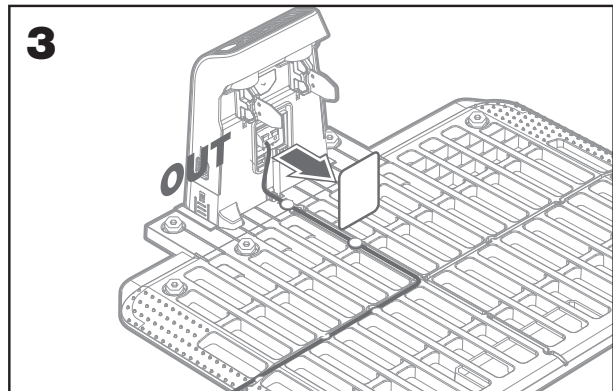
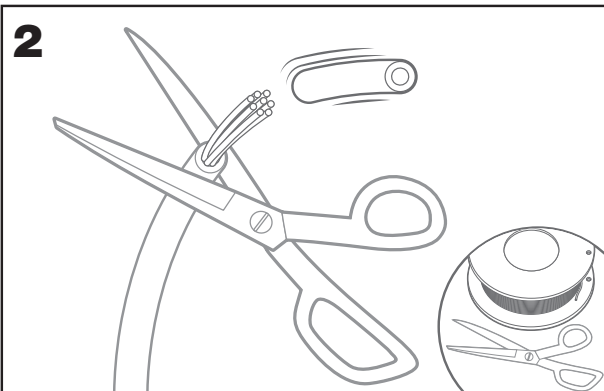
1. Fix the charging station in the selected location

- A. Insert charging pile into charging base. Then secure the charging station to the ground by means of the supplied screws, using the supplied hex key (fig.1)
- B. If you position the base on hard surface, fix it with plug and screw fixings (not supplied)



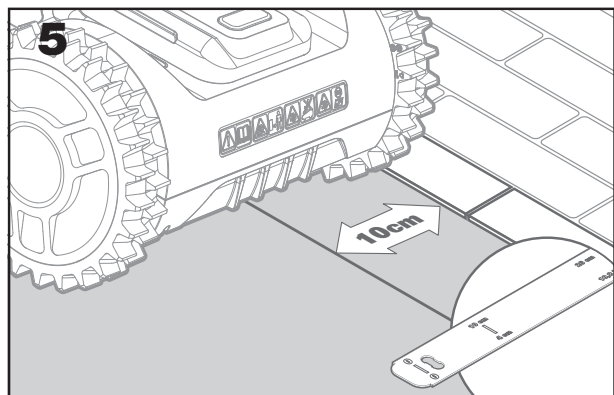
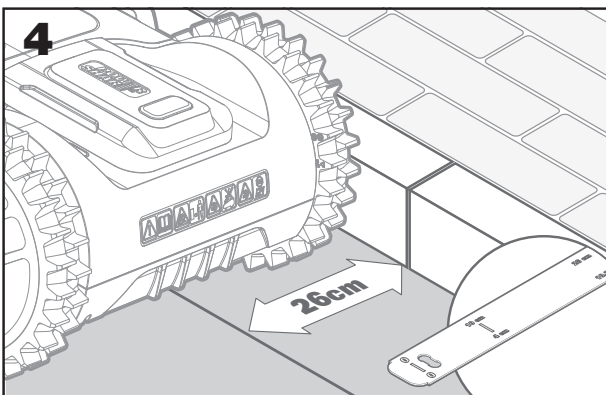
2. Connect one end of the boundary wire to the charging station

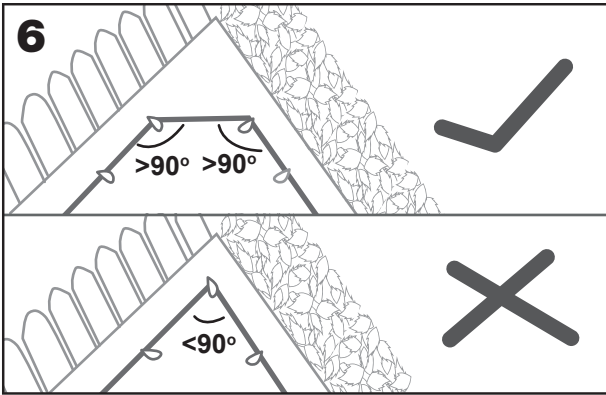
- A. Strip the end of the wire with a pair of scissors (fig. 2)
- B. Open the plastic door and insert the stripped end into the red left clamp (fig. 3)
- C. Pass the wire through the guide of the base, as shown in fig. 3



3. Lay the boundary wire around your lawn

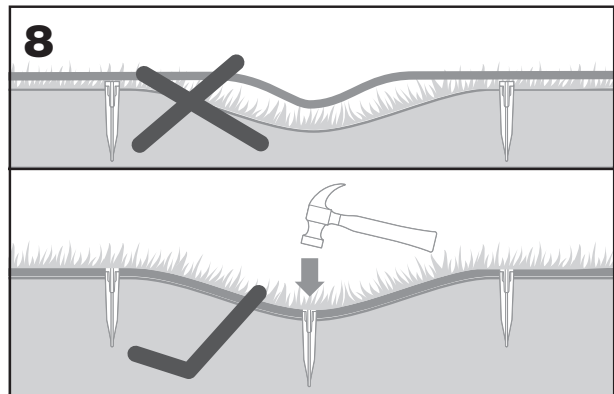
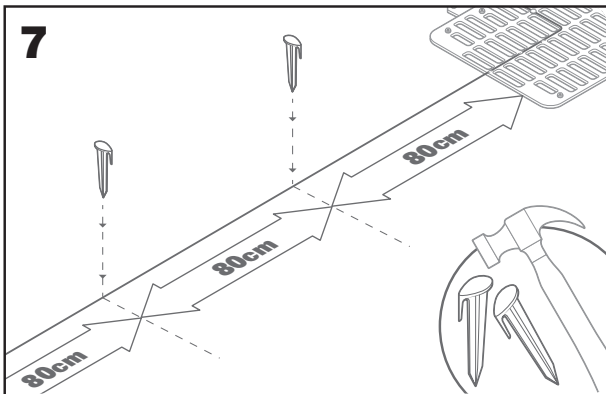
- A. Use the supplied gauge to set the distance wire to edge
- B. If there is a step at the edge of your lawn, keep the wire at 26cm from it (fig. 4)
- C. If there is no step, keep the wire at 10cm from the edge (fig. 5)
- D. Ensure the boundary Wire is perfectly straight in each corner, and the angle of boundary wire is greater than 90°(fig. 6)





4. Secure the wire to the ground using pegs

- A. Place pegs at approximately 80cm to each other (fig. 7)
- B. Make sure the wire is always in close touch with the ground (fig. 8)

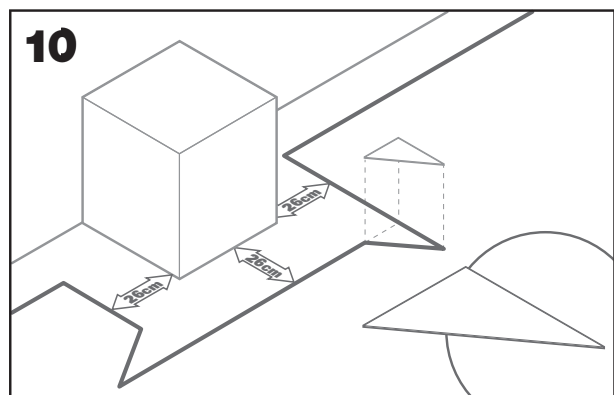
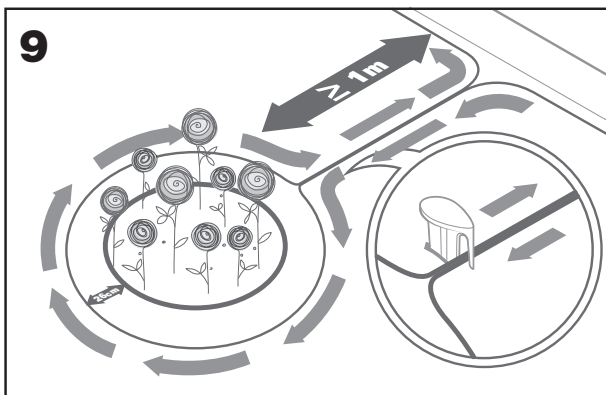


5. Lay perimeter islands, if needed

- A. Protect flower beds, ponds, tree roots and other areas by surrounding them with the boundary wire
- B. Depart the edge at a right angle to reach the area to be protected
- C. Surround the area with the wire, keeping 26cm distance, until you close the island
- D. Always lay the wire clockwise. Failing to do so will make the mower drive into the island
- E. Return to the edge of the lawn following the same path

6. Bertelsen method: how to make perfect 90° angles with corners facing the lawn

If there are 90 degree corners that face the inside of your lawn, use the Bertelsen ruler to help Landroid make perfect turns (and remove the risk that Landroid hits an obstacle on the border of the lawn whilst doing this maneuver).



7. Close the loop

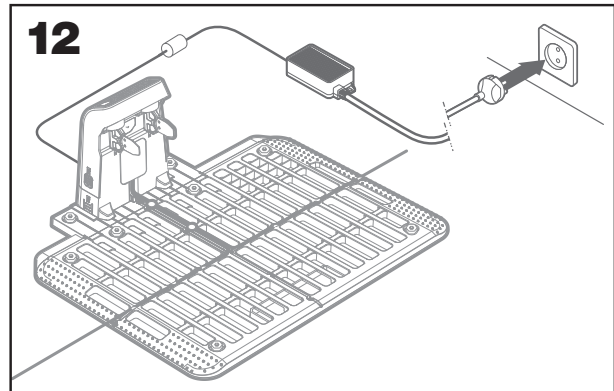
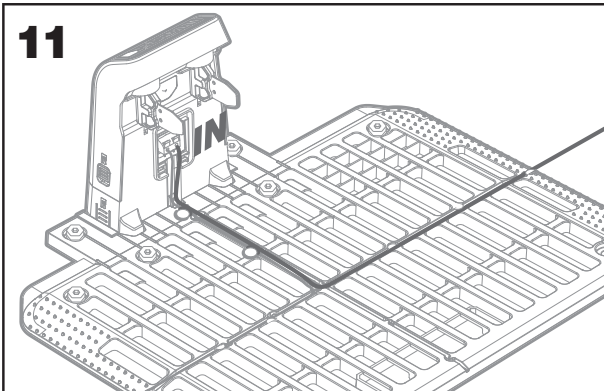
Once you have completed laying the wire on the perimeter of your lawn, you will arrive back to the charging station.

- A. Pass the wire through the guide in the base, up to the clamp (fig.11)
- B. Cut the exceeding wire and strip the end with a pair of scissors
- C. Insert the stripped end into the black right clamp

8. Final steps

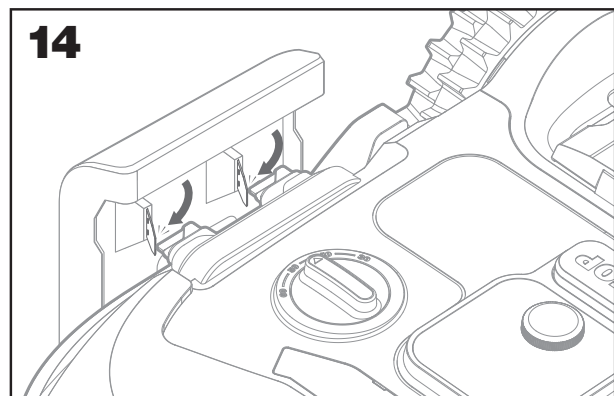
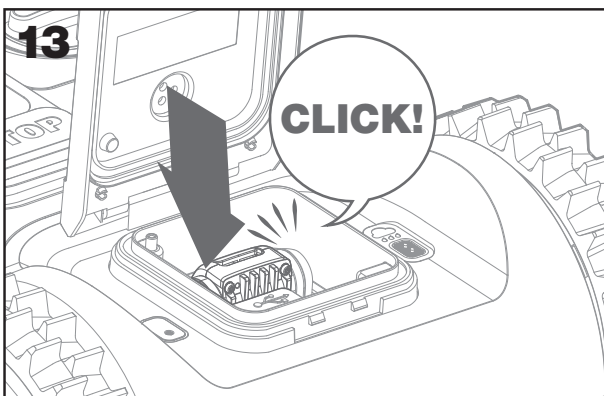
There are only a few more steps to go:

- A. Connect the charging station to the AC mains socket (fig. 12)
- B. If everything is fine, the LED will light green
- C. If there's a trouble in the loop, such as broken wire or wire ends not properly clamped, the LED will turn red. Check that everything is fine and see the FAQ session if the problem persists



D. Open the rear of Landroid and insert the PowerShare battery into the slot until it clicks (fig.13)

E. Place Landroid on charge by making sure a deep contact is established with the base (fig. 14). The LED will blink green; once the battery is fully charged, the LED will turn solid green.



F. Let Landroid charge the battery for a while. Whilst it is charging you may want to take a well-deserved break: get familiar with the following instructions, and connect Landroid to your Wi-Fi network.

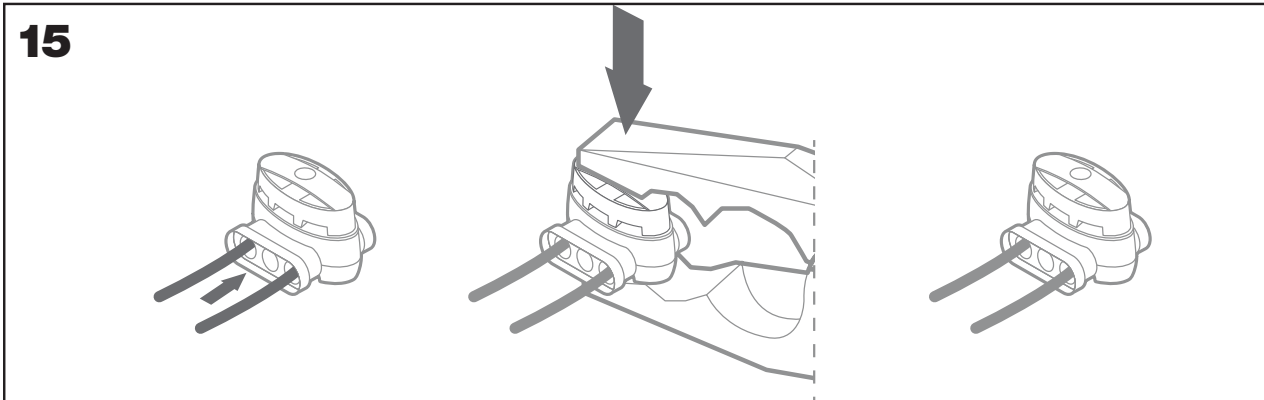
9. Joining up the boundary wire

Landroid box includes two small, waterproof boundary wire connectors. They can be used for the following:

- A. When your lawn has a very long perimeter and you need extra boundary wire to complete the installation. Please do not exceed 300m of boundary wire: this is the maximum length of the boundary wire perimeter
- B. When the boundary wire is cut by accident and you need to fix it
- C. When you decide to rework your garden in the future and need to modify the original boundary wire installation

The connectors are waterproof and provide optimal electric connection (Fig.15).

- A. Insert both ends of the wire into any two of the three holes of the connector; no need to strip the wires
- B. Insert the wires fully until both wire ends are visible on the other side of the connector
- C. Press the connector firmly by using a pair of pliers



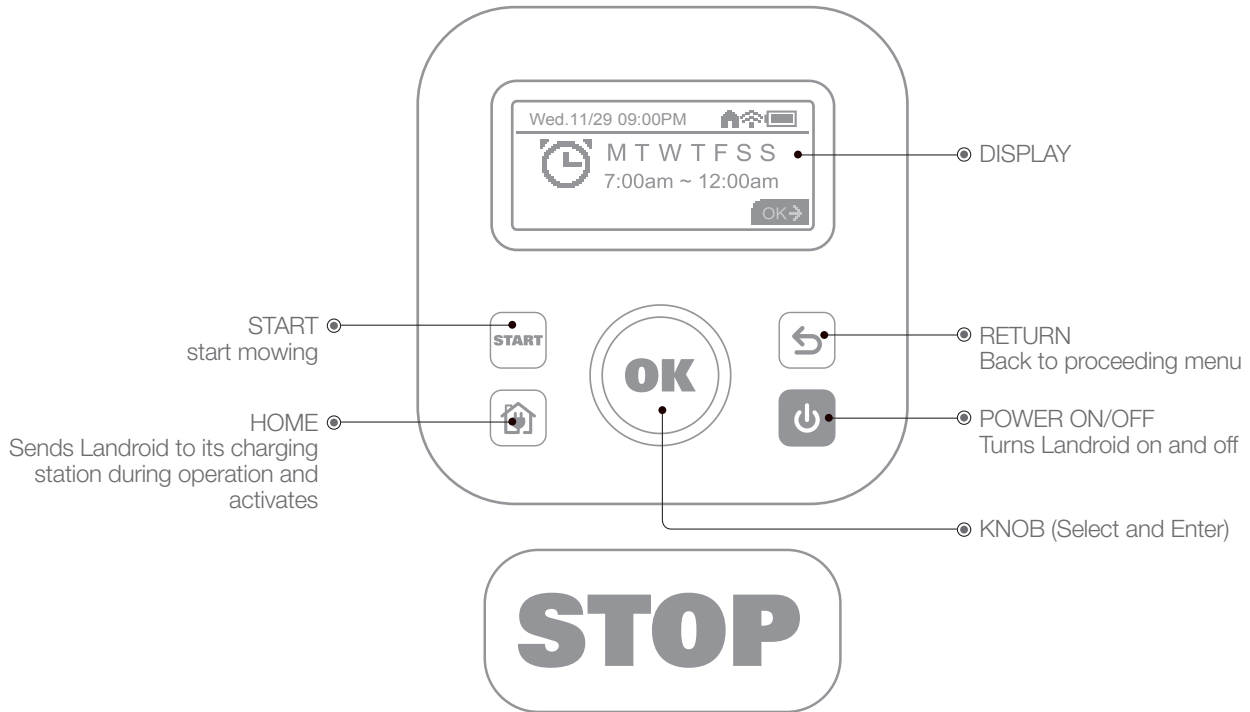
⚠ Attention: it is not recommended to simply splice the boundary wire with insulating tape or use a screw terminal block for connection. A broken circuit may occur after a period of time as soil moisture can oxidize the wire.

NOW FOR THE EXCITING BIT! START LANDROID FOR THE FIRST TIME.

Get familiar with the control panel

Landroid's control panel provides the key functions in a minimalistic design.

For advanced functions, the free Landroid app provides further options in a richer interface: your smartphone.



Start Landroid

- Place Landroid inside the boundary wire
- Press **POWER ON/OFF** until the screen lights up. Then input the PIN code
- Clockwise rotate the knob to select the number and short press **OK** to confirm one by one. The screen will display "PIN code OK"
- Press the **START**, then press **OK**. Landroid will start mowing
- You can stop Landroid at any time by pressing the **STOP**
- To send Landroid to the charging station, press the **HOME**, then press **OK**

Note: The default PIN code is 0000.

LANDROID CONTROL PANEL

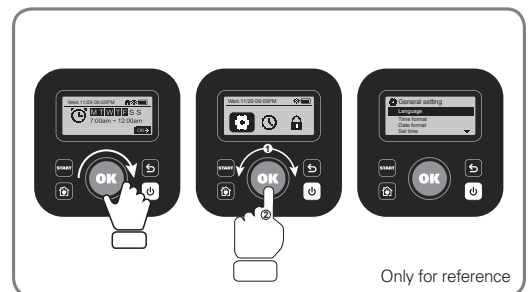
Advanced functions via the built-in interface

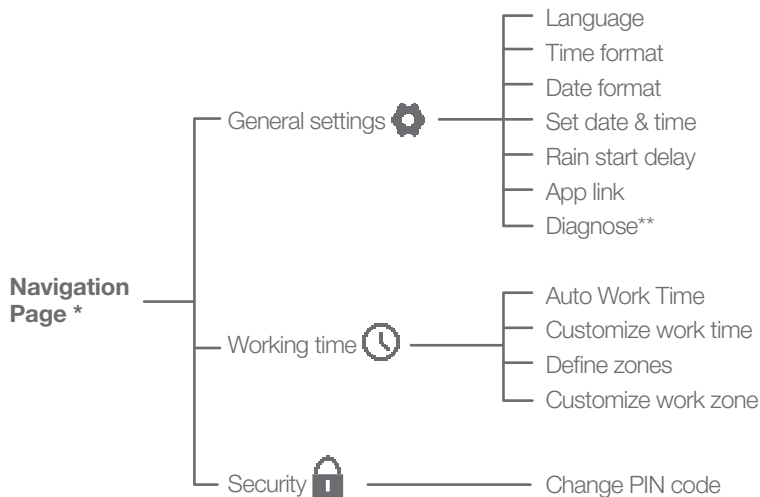
Despite its minimalistic design, you can set several advanced functions through the built-in control panel.

However, for the best user experience we recommend you use the free Landroid app to do this, given its much richer and intuitive interface.

1. Setting

- Clockwise rotate **OK** to enter setting
- Then rotate **OK** to choose "General settings **gear**" / "working time **clock**" / "security **lock**", short press to enter.
- Use the same method to take the follow-up actions.



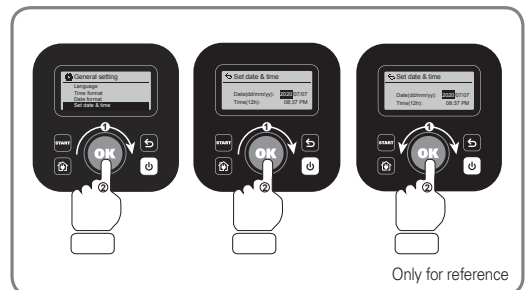


* Be continuously updated according to the software version.

** For after-sales service only

2. Set date & time

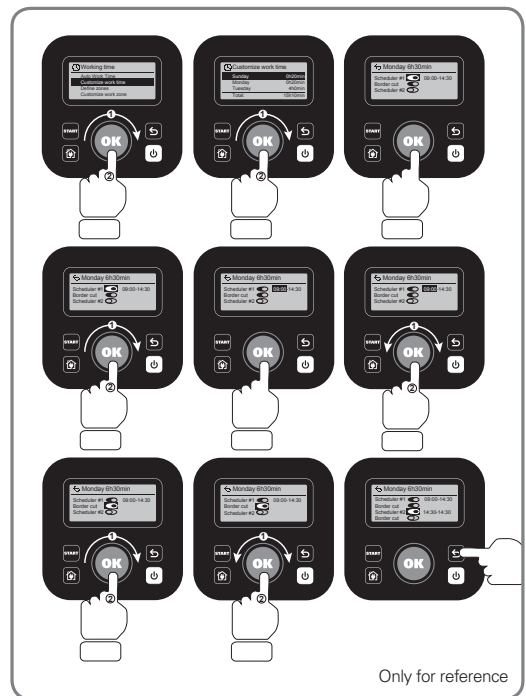
- Return to “General settings”
- Clockwise rotate to “set date&time” and short press to enter.
- Then, clockwise rotate to select “dd” and short press .Selected number will be blinking.
- Next, rotate the to select the number and short press to confirm. Use the same method to complete “mm/yy/time”.



3. Customize work time

- Return to “working time”
- Clockwise rotate to “Customize work time” and short press to enter.
- Clockwise rotate to select day of the week and short press.
- Then, press to enter setting .
- Clockwise rotate to activate “Schedule #1*” . Short press to confirm.
- Next, clockwise rotate to select start time “hour/minute” and short press to enter setting. Selected number will be blinking.
- Rotate the to select the start time you want your LANDROID to mow on a particular day and short press to confirm. Use the same method to complete stop time.
- After that, clockwise rotate and short press to enter “border cut”setting.
- Rotate to choose whether to activate “border cut” or not and short press to confirm.
- If you want to set “Schedule #2*”, use the same method above.
- Press and use same method to set other weekdays work time.

*Two schedules can be set in one day.



4. Working time adjust

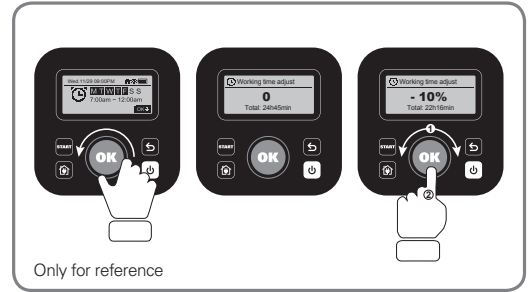
You can rapidly adjust the work time of the week. The increment /decrement of time will be evenly allocated to required working days.

A. Return to main interface.

B. Anticlockwise rotate (OK) to activate the working time adjust.

NOTE: The total time is based on the customize work time, and can be adjusted by gradient of 10%.

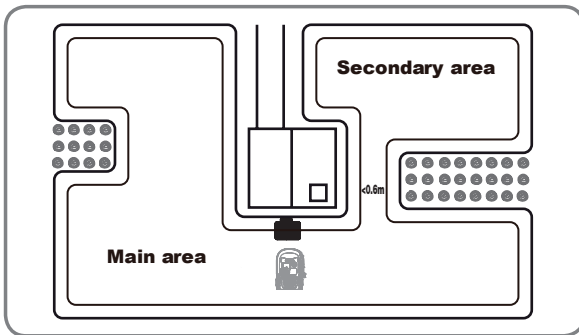
C. Then rotate (OK) to adjust and short press to confirm.



5. Single cut setting

If your lawn has multiple areas connected to each other by a corridor, it should be at least 0.6m wide. If the corridor is narrower than 0.6m, Landroid will have difficulty travelling between. In this case, it is recommended to set up a main area and a secondary area in your lawn. The boundary wire should be placed as illustrated in the picture.

For flexible work setup (whether to go back to charging station and whether to do border cut), especially when Landroid is in secondary area where there is no charging station, single cut setting is necessary.



- Place Landroid inside the boundary wire.
- When your Landroid is connected with charging base.

A. Return to main interface.

B. Press (START) three times quickly.

C. Clockwise rotate (OK) to select "Home present?-Yes/No" (whether the charging station is in the area or not) and short press to enter setting. Selected word will be blinking and short press to confirm.

D. Next, rotate (OK) to select "Enable border cut-Yes/No" (whether to do border cut or not) and short press. Selected word will be blinking and short press to confirm. Then use the same method to complete "Working time".

E. And then clockwise rotate (OK) to select "Start" and short press to start mowing.

Note: Landroid will go back to the charging station for charging when the battery runs out or the cutting time is up. If Landroid is fully charged and the set time has not ended, Landroid will continue mowing until the time is over.

- When your Landroid is disconnected with charging station,

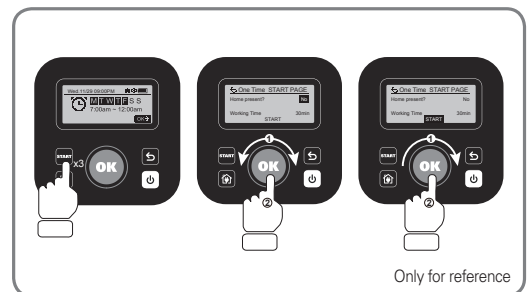
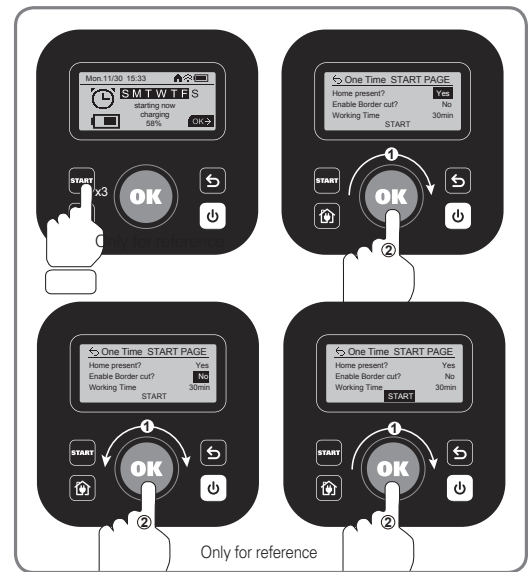
A. Return to main interface.

B. Press (START) three times quickly.

C. Rotate (OK) to select "Home present?-Yes/No" (whether the charging station is in the area or not) and short press to enter setting. Selected word will be blinking and short press to confirm. Use the same method to complete "working time".

D. And then clockwise rotate (OK) to select "Start" and short press to start mowing

Note: When your Landroid is in main area (the place the charging station is normally in), it will go back to the charging station for charging when the battery runs out or the cutting time is up. If Landroid is fully charged and the set time has not ended, Landroid will continue mowing until the time is over. When your Landroid is in secondary area, it will stop mowing and stay in the place when the battery runs out, the cutting time is up, Landroid encounters some troubles (e.g. crashing etc.) or "STOP" is pressed manually.



CONNECTING LANDROID TO THE INTERNET

Why connect Landroid

Your Landroid can be connected by Wi-Fi or Bluetooth. Landroid is an IoT (Internet of Things) device. To get full functionality out of your Landroid and keep it always updated to the latest software, it must be connected to the internet via your Wi-Fi network.

BEFORE YOU START

1. Download the app

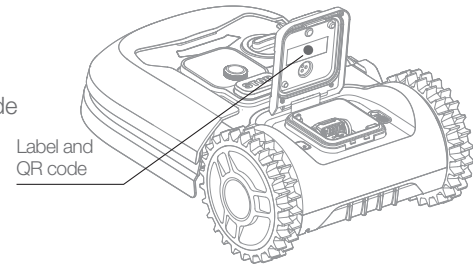
Download the free Landroid app first. Get it from Android or Apple app stores



2. Ensure you have:

- A. Your WiFi network password/Bluetooth function on your smartphone.
- B. Landroid Serial Number: it can be found in the label under the rear bonnet of the machine.

If you don't want to type the 20-digit Serial Number, input it by scanning the QR code with your smartphone's camera.



3. Check your settings

Wi-Fi connection

- A. Landroid works with 2.4GHz Wi-Fi signal
- B. Make sure your Landroid is in the same router environment as your smartphone
- C. Make sure the distance between your Landroid, smartphone and your router is as close as possible during connection

Tip: when Landroid moves to an area of your lawn with poor or no Wi-Fi signal, instructions sent from the app will only be executed when Landroid returns to an area with good signal.

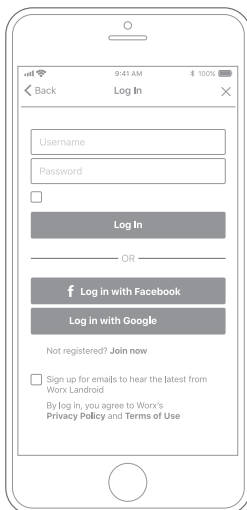
Bluetooth connection

- A. Bluetooth function on your smartphone is activated.
- B. Make sure your Landroid is within the connectable distance .

HOW TO CONNECT LANDROID TO THE INTERNET

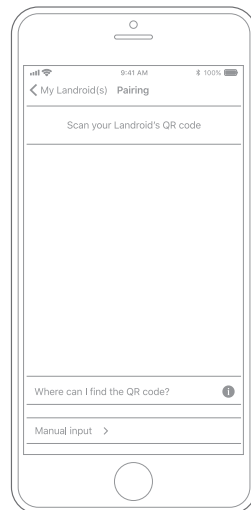
Launch the app and follow these instructions.

1. Register your account



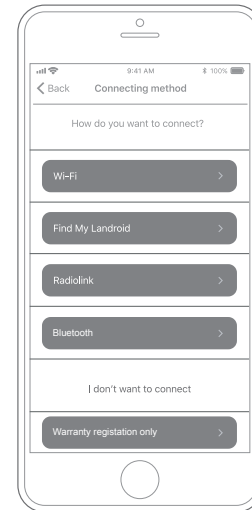
Register your account by typing your username and password, or logging in through Facebook or Google.

2. Input Landroid Serial Number



Register your Landroid by inputting the Serial Number manually or by scanning the QR code.

3. Choose your connection



Select your Wi-Fi network or Bluetooth, or you can connect Landroid via Find My Landroid or RadioLink Options

If your WiFi does not cover the entire lawn you may consider the purchase of the Landroid Radio Link option, which extends the signal up to 300m in range.

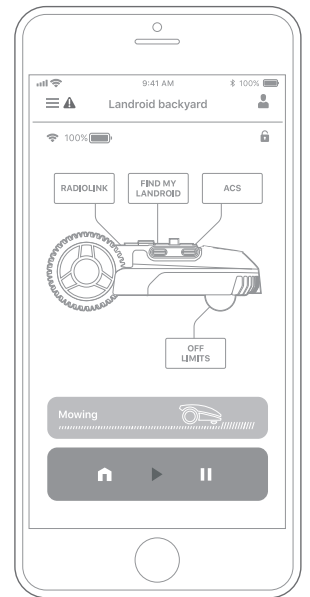
As an alternative, you can purchase the Find My Landroid option that besides connecting Landroid to the internet via its build in SIMcard, also allows you to track it in the unfortunate event it gets stolen.

LANDROID APP NOT A SIMPLE REMOTE CONTROL

Don't think at it as a remote control. The app is an integral part of the Worx Landroid advanced ecosystem based on cloud computing and artificial intelligence.

Thanks to the app's augmented reality feature, you can measure the exact area of your lawn. It's as easy as taking a walk along its border.

A multitude of factors influence the growth rate of your grass. Landroid combines them all to determine the best treatment for your lawn. Day in and day out



⚠️ WARNUNG: Lesen Sie alle Sicherheitshinweise und Anweisungen. Versäumnisse bei der Einhaltung der Sicherheitshinweise und Anweisungen können elektrischen Schlag, Brand und/oder schwere Verletzungen verursachen. **Lesen Sie die Bedienungsanleitung zum sicheren Betrieb des Gerätes aufmerksam durch. Bewahren Sie alle Sicherheitshinweise und Anweisungen für die Zukunft auf.**

SO FUNKTIONIERT DER LANDROID

Im nächsten Abschnitt möchten wir Ihnen die Funktionsweise des Landroid näher bringen. Der Landroid ist ein autonomes Gerät, das in der Lage ist, selbstständig zu arbeiten. Das Gerät weiß, wenn es zu seiner Ladestation gehen muss, kann erkennen, wann es regnet, hält selbstständig an wenn er ein Problem erkennt, oder umfährt selbstständig Hindernisse, auf die er trifft. Um Unfälle zu vermeiden, stoppt der Landroid die Rotation der Klingen sobald er hochgehoben wird. App verwenden.

Selbstladefunktion



Wenn sich Ihr Landroid aufladen muss, wird das Gerät aufhören zu mähen und entlang dem Begrenzungsdraht entgegen dem Uhrzeigersinn zurück zu seiner Ladestation folgen. Sobald der Ladevorgang abgeschlossen ist, wird der Landroid automatisch den Mähvorgang wieder aufnehmen oder in der Ladestation gemäß seinem Mähzeitplan verweilen.

Einhaltung von Grenzen



Landroid ist so programmiert, dass es Montags und Freitags zweimal pro Woche Gras entlang des Rasenrandes schneidet. Wenn Sie diese Voreinstellung ändern wollen, können Sie dies über die App oder über das Bedienfeld unter dem Menüpunkt "Arbeitszeit-Arbeitszeit anpassen" anpassen. Eine detaillierte Anleitung dazu finden Sie im Kapitel "Manuelle Programmierung".

Regensensor



Der Landroid ist wettergeschützt und darauf ausgerichtet, im Freien genutzt zu werden. Wenn Sie allerdings feuchtes Gras mähen, kann es sein, dass das Ergebnis nicht zufriedenstellend ist. Der Landroid ist mit einem Regensensor ausgestattet, der Regen erkennt und dem Landroid im entsprechenden Fall mitteilt, nicht mehr zu mähen und zu seiner Ladestation zurückzukehren.

Regenverzögerungszeit



Nachdem es geregnet hat startet der Landroid erneut, wenn das Gras nicht mehr nass ist. Die Standard-Regenverzögerungszeit beträgt 180 Minuten. Sie können die Regenverzögerungszeit über die Landroid-App

Bei extremeren Wetterlagen



Schützen Sie Ihren Landroid im Fall eines Gewitters, indem Sie ihn von der Ladestation nehmen, den Begrenzungsdraht trennen und sichergehen, dass der Landroid nicht mehr laden kann. Im Winter und besonders bei kaltem Wetter empfehlen wir es Ihnen den Landroid im Haus zu lagern. In einigen Ländern bieten wir einen Winterservice an, bei dem sich Profis um Ihren Landroid kümmern und ihn fit für den Frühling machen. Kontaktieren Sie Ihren Händler oder besuchen Sie unsere Website für weitere Informationen.

Automatisches Mulchen

Der Landroid mäht täglich so kurze Rasenschnipsel, dass diese nicht mehr zusammengeharkt werden müssen. Der Grünschnitt ist der perfekte natürliche Dünger für Ihren Rasen. Häufiges Mähen verbessert die Grasdichte und verhindert effektiv die Ausbreitung von Unkraut.

Rasenkantenschnitt

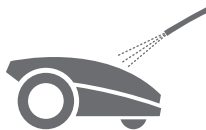
Die seitlich angebrachte Messerscheibe kommt nahe an die Begrenzung Ihres Rasens und sorgt dafür, dass Sie dort keine Schnitтарbeiten mehr ausführen müssen.

Schnitthöhe

Bevor Sie den Landroid das erste Mal starten, gehen Sie bitte sicher, dass das Gras nicht höher als 10 cm ist. Wenn es doch länger sein sollte, verwenden Sie einen normalen Rasenmäher, bevor Sie den Landroid einsetzen. Wenn Sie Ihren Rasen stark kürzen wollen, wird empfohlen, dass Sie dies in Schritten (Anpassung der Schnitthöhe) machen.

Sicherheit & PIN-Schutz

Um zu verhindern, dass unberechtigte Personen Zugriff auf das Gerät haben, ist der Landroid durch einen PIN-Code geschützt, den Sie einfach einstellen können.

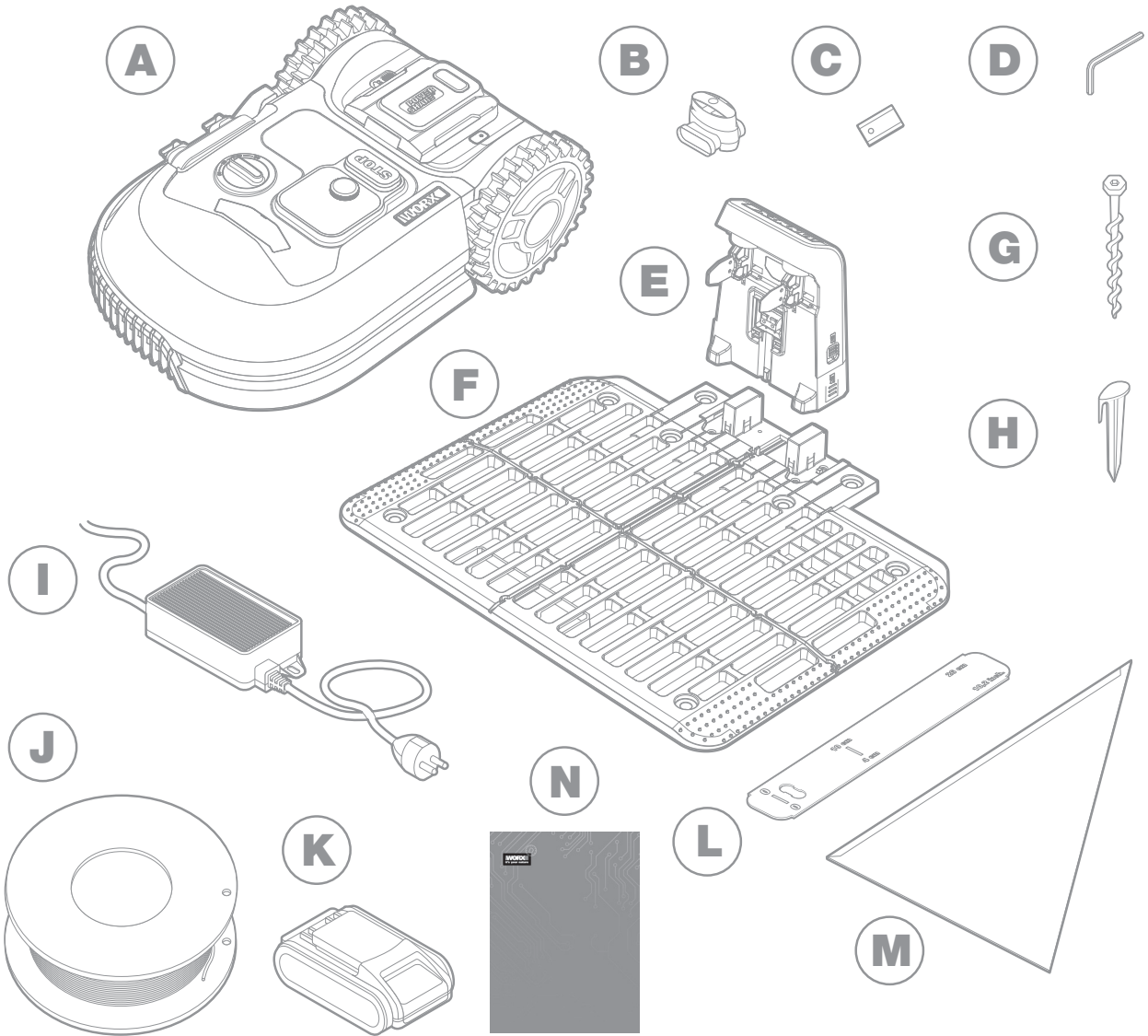
Einfache Reinigung

Dank seines wasserdichten IPX5 entfernt Landroid Dreck, Gras und Schmutz, den es bei der Arbeit aufnimmt. Machen Sie Landroid noch besser und leistungsfähiger.

Boden Ablaufverfolger

Mit dem neuen Auto-Lifting-Design können die Klängen automatisch angehoben werden, wodurch mehr Freiraum entsteht. Dies hilft Landroid, bestimmte Situationen zu vermeiden, die andere Robotermäher blockieren würden.

DAS IST IM LIEFERUMFANG ENTHALTEN



Die Abbildung dient nur als Referenz

- A** Worx Landroid

- B** Begrenzungsdraht-Reparaturadapter

- C** Sätze Ersatzklingen

- D** Innensechskantschlüssel

- E** Ladestapel

- F** Ladestation

- G** Schrauben

- H** Heringe

- I** Netzteil

- J** Begrenzungskabel

- K** 20V Akku

- L** Begrenzungsdraht-Lineale

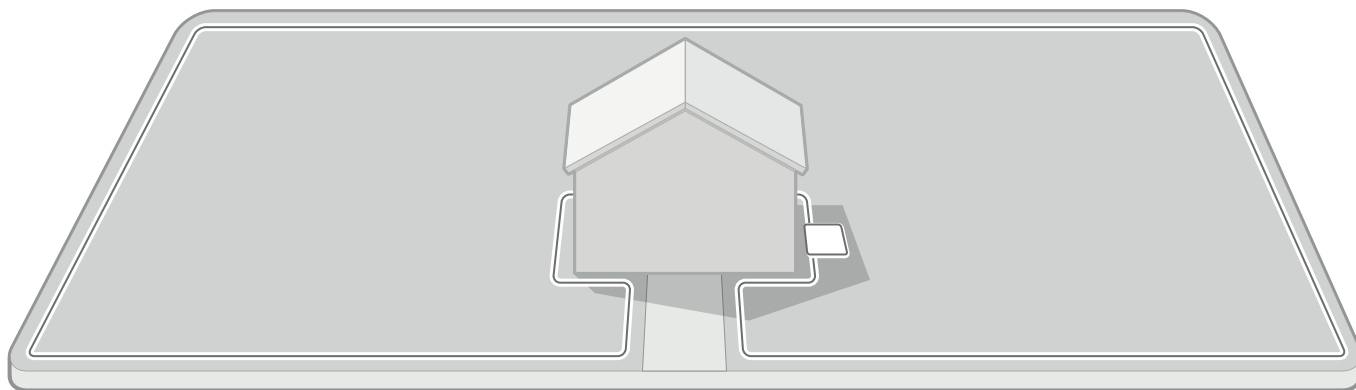
- M** Bertelsen ruler

- N** Handbuch

INSTALLATION

Die Installation Ihres Worx Landroid ist einfach, wenn Sie diesen Anweisungen sorgsam folgen. Im Endeffekt ist es nur das Aufstellen der Ladestation und die Verlegung des Begrenzungsdrahts um Ihren Rasen herum. Zusätzlich zu dieser Bedienungsanleitung können Sie die Get Started Anleitung, die sich in der Box befindet, verwenden und alle Video-Tutorials auf unserem YouTube-Kanal* ansehen.

* Diese Informationen werden für Sie bereitgestellt, ersetzen jedoch nicht die Bedienungsanleitung und die Sicherheitsanweisungen, die gelesen und verstanden werden müssen.



Überprüfen Sie Ihren Garten um die Installation zu planen

Installieren Sie die Ladestation

Verlegen Sie den Begrenzungsdraht

Verbinden Sie die Ladestation mit einer Steckdose

Schalten Sie den Landroid ein. Testen Sie das Gerät und machen Sie sich zum Mähen bereit

JEDE PLANUNGSMINUTE SPART IHNEN 10 MINUTEN BEI DER AUSFÜHRUNG

Die Installation des Landroid ist umso einfacher, wenn Sie genau wissen, was Sie wollen. Eine richtige Planung hilft Ihnen auch dabei, zu verhindern, dass Fehler gemacht werden oder Sie den Installationsvorgang wiederholen müssen.

1. Ober- oder Unterirdisch?

Der Begrenzungsdraht ist dafür gedacht, auf dem Boden befestigt zu werden. Am ersten Tag kaum sichtbar, wird er nach ein paar Wochen von Erde umschlossen sein. Wenn Sie das Kabel eingraben wollen, wird empfohlen, es erst einmal nur hinzulegen und das Gerät entlang dem Draht fahren zu lassen. So können Sie feststellen, ob der Begrenzungsdraht richtig ausgerichtet ist. Dies ermöglicht es Ihnen schnell und einfach alles zu überprüfen und nach Bedarf die Ausrichtung zu ändern, bevor Sie das Kabel eingraben. Vergraben Sie das Kabel nicht tiefer als einige Zentimeter unter der Erde, sodass ein gutes Signal sichergestellt ist.

2. Planung für die Ladestation

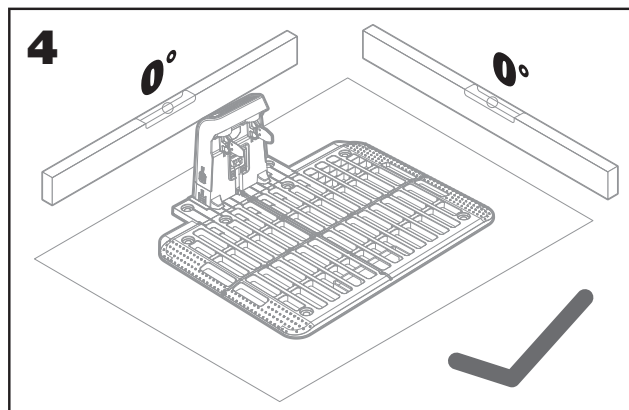
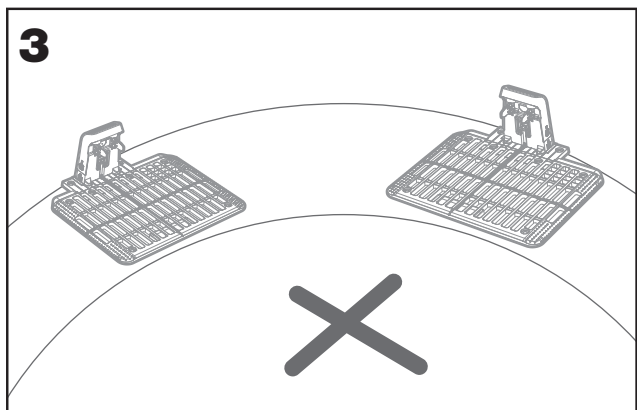
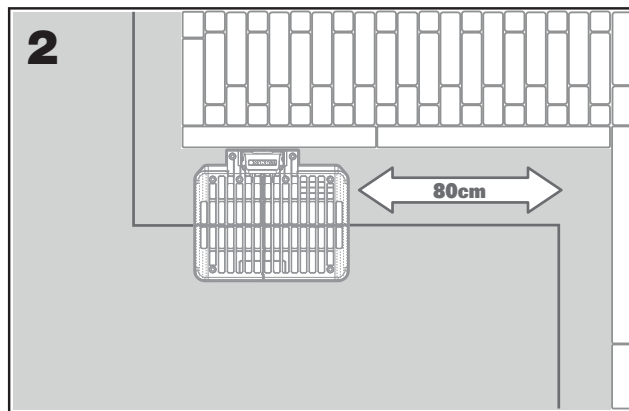
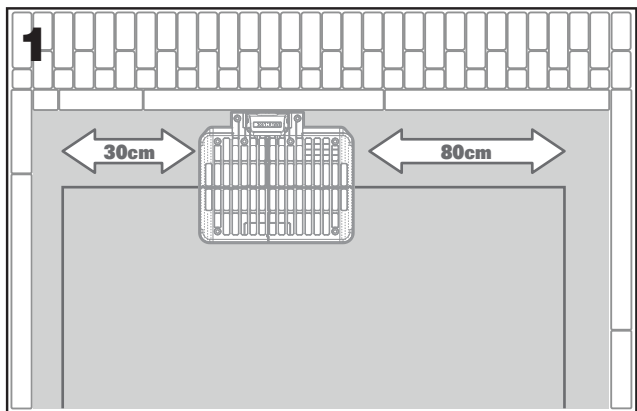
Die Ladestation bestehend aus Ladestapel und Ladebasis ist der Ort, an dem Ihr Landroid zurückkehrt, um sich aufzuladen, oder sich auszuruhen bis zum nächsten Mähvorgang.

Finden Sie einen geeigneten Ort für die Ladestation und beachten Sie:

- A. Die Ladestation muss mit Strom versorgt werden und darf sich deshalb nicht mehr als 10 m von einer Steckdose entfernt befinden
- B. Suchen Sie falls möglich einen schattigen Platz, da die Akkus und die Ladegeräte keine Überhitzung vertragen
- C. Die Ladestation muss auf flachem Boden aufliegen, damit der Landroid erfolgreich andocken kann.
- D. Vermeiden Sie Orte in der Nähe von Bewässerungsanlagen

Sie können die Ladestation auf Ihren Rasen stellen oder auf eine harte Oberfläche wie einen Gehweg, vorausgesetzt, dass der Rasen und die harte Oberfläche auf gleicher Höhe liegen (keine Stufen).

Auf der Eingangsseite der Station muss der Landroid mindestens 80 cm geraden Weg vor sich haben. Auf der Ausgangsseite muss das Gerät mindestens 30 cm geraden Weg vor sich haben, bevor eine Linksdrehung erfolgen kann (Abb. 1) Wenn eine Drehung nach rechts stattfindet, ist kein Mindestabstand nötig (Abb. 2).

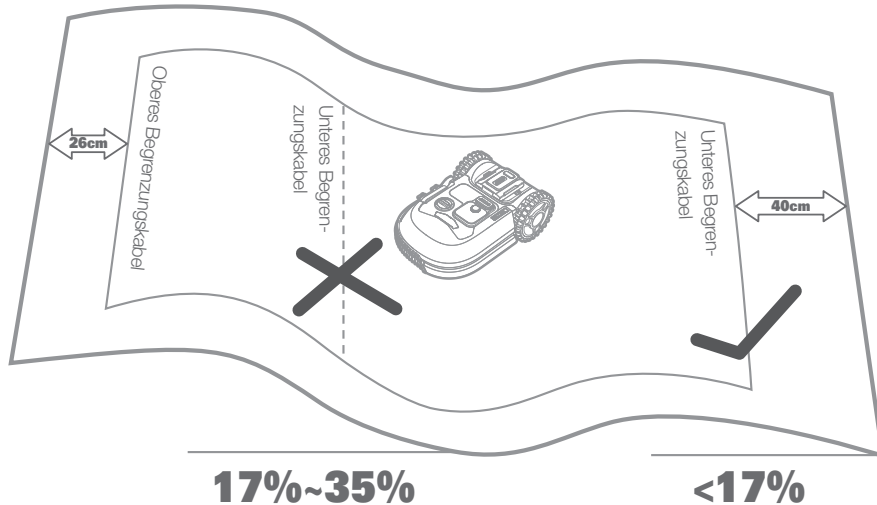


3. Checkliste für die Ladestation:

- A. in Reichweite einer Steckdose
- B. im Schatten
- C. gerader Weg im Eingangsbereich, gerader Weg im Ausgangsbereich (nach Bedarf)
- D. flacher Boden
- E. keine Bewässerungsanlage in der Nähe

4. Positionierung des Begrenzungskabels an Böschungen

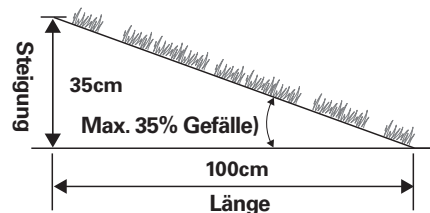
Das obere Begrenzungskabel darf NICHT auf Böschungen verlegt werden, die steiler als 35 % (20°)* sind. Das untere Begrenzungskabel darf NICHT auf Böschungen verlegt werden, die steiler als 17 % (10°) sind. Zudem muss es bei Böschungen, die eine Steigung von 17 % haben, mindestens 40 cm von allen Hindernissen entfernt verlegt werden.



*Wie berechne ich das Gefälle meiner Wiese?

Demnach wäre das Gefälle:

$$\frac{35 \text{ cm (Steigung)}}{100 \text{ cm (Länge)}} = 35\% \text{ (Gefälle)}$$



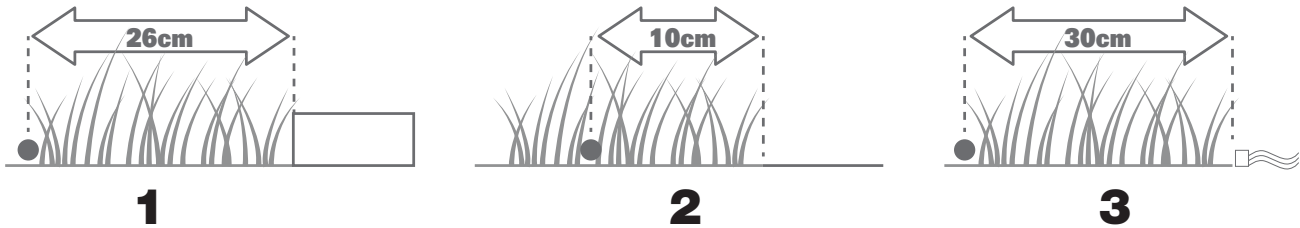
5. Planung des Begrenzungsdrahts

Das Kabel muss in einem bestimmten Abstand zu den Grenzen des Mähbereichs verlegt werden. Der Abstand ändert sich, abhängig von dem, was sich an der Grenze befindet. Bei unterschiedlichen Gegebenheiten an den Grenzen des Mähbereichs ergeben sich unterschiedliche Verlegungsstrategien:

A. Wenn die Grenze des Rasens an einer Erhöhung liegt: Halten Sie einen Abstand von 26cm zwischen Begrenzungsdraht und dem erhöhten Objekt ein. (Abbildung 1)

B. Wenn die Grenze des Rasens neben einem festen Untergrund auf selber Höhe liegt: Halten Sie einen Abstand von 10cm ein. (Abbildung 2)

C. Wenn die Rasenkante an ein Schwimmbecken grenzt: halten Sie mindestens 30 cm Abstand zu dessen Kante ein. (Abbildung 3)



Wenn eine Seite Ihres Rasens an den Rasen eines Nachbarn angrenzt, der ebenfalls einen Mähroboter benutzt, verlegen Sie Ihr Kabel mindestens 1 m vom Kabel des Nachbarn entfernt, um mögliche Störungen zu vermeiden.

KONTROLLIEREN SIE IHREN RASEN

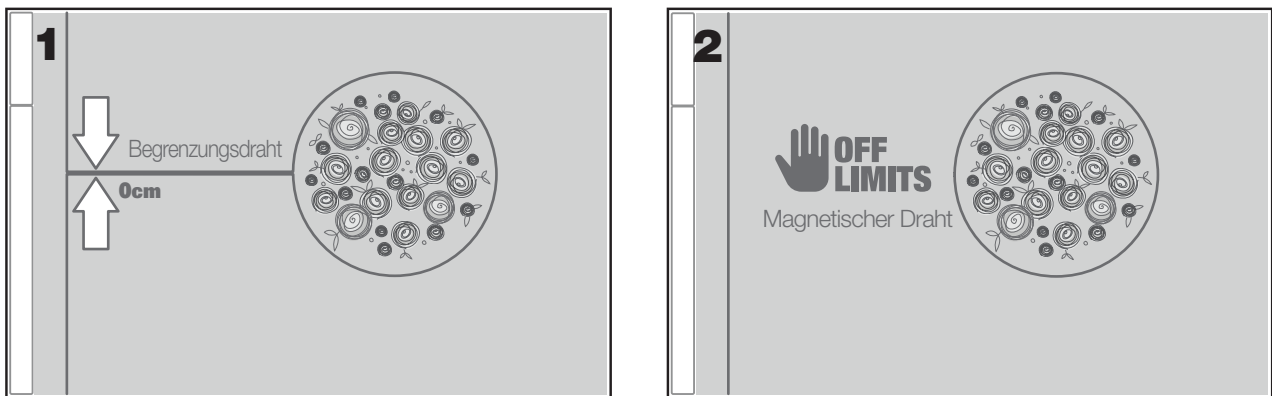
Der Landroid ist dazu konzipiert, auch auf komplexesten Rasen zurecht zu kommen. Inspizieren Sie Ihren Garten vor der Installation, um eine reibungslose Verlegung des Begrenzungsdrahts zu ermöglichen.

1. Abzugrenzende Bereiche identifizieren

Sie möchten bestimmt nicht, dass Ihr Mähroboter auch Blumen mäht, in einen Gartenteich fällt oder aus dem Boden ragende Wurzeln beschädigt. Suchen Sie nach solchen Bereichen und verlegen Sie den Begrenzungsdraht darum, damit der Landroid diese Bereiche umfährt.

Der Begrenzungsdraht muss mit beiden Enden an der Ladestation angebracht sein und darf nicht getrennt werden. Wenn bestimmte Bereiche auf dem Rasen abgegrenzt werden, muss der Draht um dieses Hindernis herum geführt werden. Wenn die zu umrandenden Bereiche zu weit von der Grenze Ihres Rasen entfernt sind oder wenn Sie mehrere Bereiche und offenliegende Wurzeln zu schützen haben, ist diese herkömmliche Art und Weise zeitaufwendig.

Eine großartige Alternative ist der Kauf des Off-Limits Modul für den Landroid. Damit können Sie einfach mit dem magnetischen Off-Limits-Draht Bereiche abgrenzen. Der magnetische Draht muss nicht mit dem normalen Begrenzungsdraht (Abb. 2) verbunden werden. Der magnetische Off-Limits-Draht ist auch hervorragend geeignet, um saisonale Ausrüstung (bspw. ein Trampolin) oder neue Änderungen am Layout Ihres Rasens zu schützen, ohne das normalen Begrenzungsdraht erneut verlegen zu müssen.



2. Hindernisse identifizieren

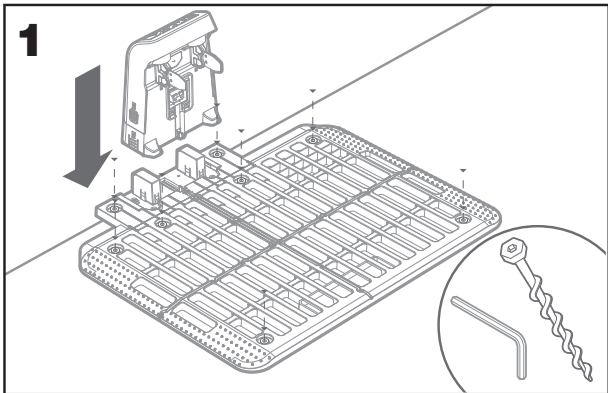
Der Stoß-Sensor des Landroids kann feste Hindernisse wie Bäume, Möbel und ähnliches erkennen, die nicht durch das Kabel umrandet werden müssen. Wenn Ihr Rasen mehrere Hindernisse und Bäume in der Nähe zu einander aufweist, empfehlen wir Ihnen die ACS Funktion des Landroid zu kaufen. Dies ist ein intelligenter Ultraschall-Autopilot, der Ihren Landroid um Hindernisse fahren lässt, anstatt das Gerät in sie hineinfahren zu lassen.

JETZT GEHT'S LOS. WAS GESCHAFFT IST, IST GESCHAFFT!

Da Sie jetzt die Installation detailliert geplant haben, sind Sie bereit anzufangen. Vor dem Start möchten Sie aber vielleicht Ihren alten Rasenmäher nochmals verwenden, um Ihren Rasen „aufzuräumen“ und die Installation einfacher zu machen.

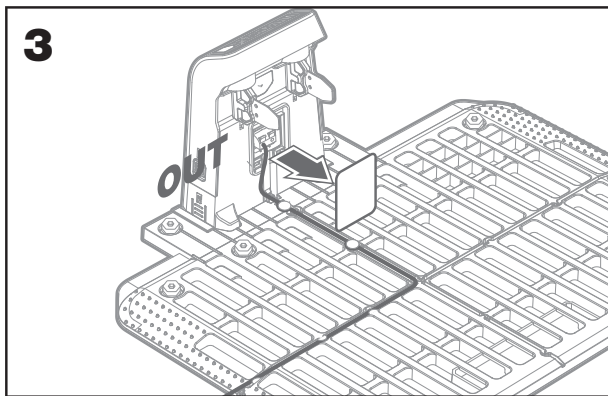
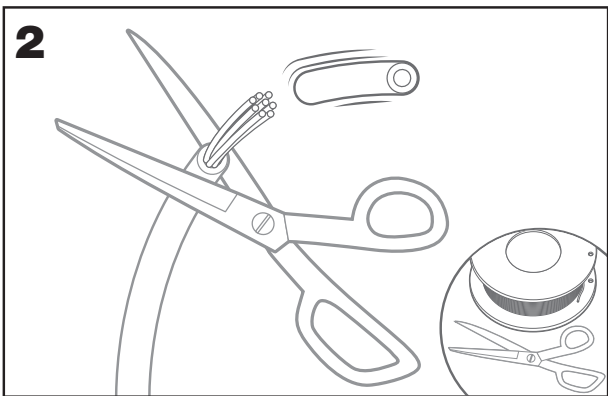
1. Anbringung der Ladestation am ausgewählten Standort

- A. Legen Sie den Ladestapel in die Ladestation ein. Befestigen Sie dann die Ladestation mit den mitgelieferten Schrauben mit dem mitgelieferten Inbusschlüssel am Boden (Abb. 1).
- B. Wenn Sie die Station auf eine harte Oberfläche stellen, befestigen Sie das Gerät mit Steck- und Schraubbefestigungen (nicht mitgeliefert)



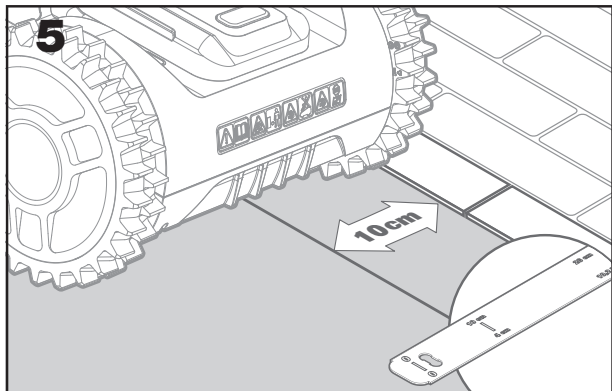
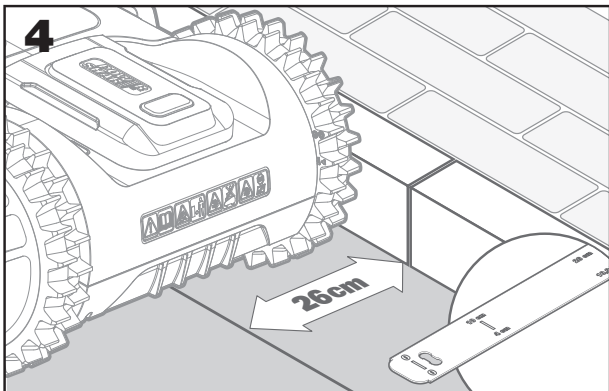
2. Verbinden Sie ein Ende des Begrenzungsdrahts mit der Ladestation

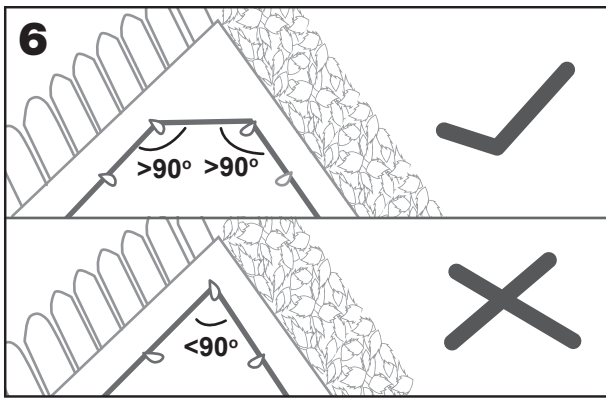
- A. Entmanteln Sie das Ende des Drahts mit einer Schere (Abb. 2)
- B. Öffnen Sie die Verschlusskappe der Ladestation und schließen das abgemantelte Ende des Drahts an die rote Klemme. (Abb. 3)
- C. Führen Sie dann den Draht durch die Kabelschiene an der Ladestation, wie es in Abb. 3 angezeigt wird



3. Verlegen Sie den Begrenzungsdraht um Ihren Rasen

- A. Verwenden Sie das mitgelieferte Lineal, um den Begrenzungsdraht an der Rasenkante zu verlegen
- B. Wenn es eine Stufe oder andere Erhöhungen an der Rasenkante gibt, halten Sie mit dem Begrenzungsdraht einen Abstand von 26cm (Abb.4)
- C. Wenn keine Erhöhung vorhanden ist, halten Sie mit dem Begrenzungsdraht einen Abstand von 10cm zum Rand ein (Abb. 5)
- D. Stellen Sie sicher, dass der Begrenzungsdraht in jeder Ecke perfekt gerade ist und der Winkel des Begrenzungsdrahtes größer als 90° ist.

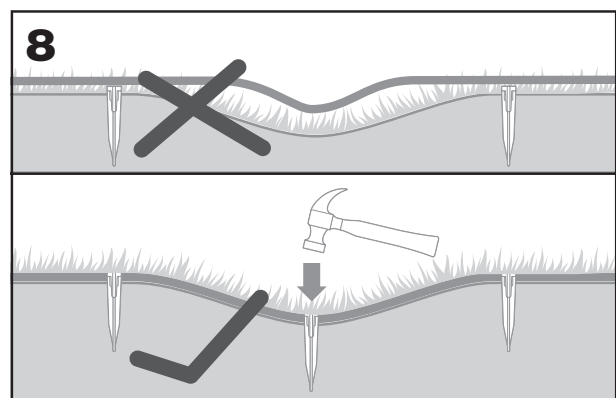
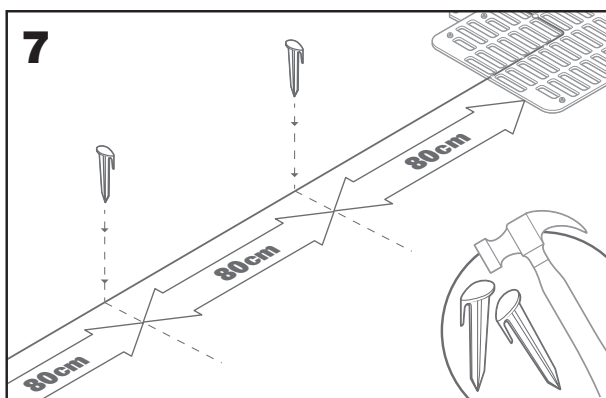




4. Befestigen Sie den Begrenzungsdraht mit Heringen im Boden

A. Fixieren Sie das Kabel mit den Heringen im Boden, halten Sie dabei einen Abstand von ca. 80cm ein (Abb. 7)

B. Stellen Sie sicher, dass das Kabel stets direkten Kontakt zum Boden hat (Abb. 8)



5. Legen Sie bei Bedarf Inseln zum Abgrenzen von Bereichen an

A. Schützen sie Blumenbeete, Gartenteiche, Baumwurzeln und andere Bereiche, indem Sie den Begrenzungsdraht herum verlegen

B. Verlegen Sie die Ecke hin zur abzugrenzenden Insel im rechten Winkel

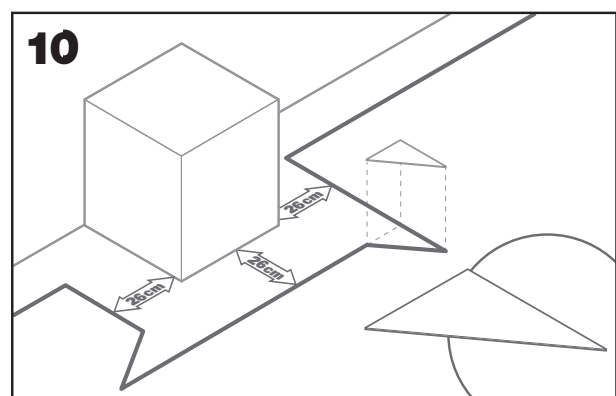
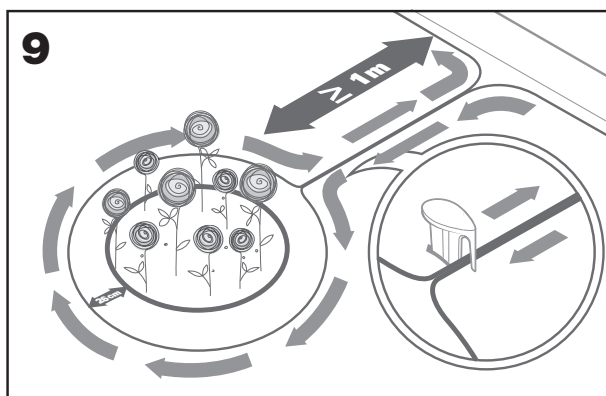
C. Halten Sie dabei stets einen Abstand von 26cm ein und verlegen Sie den Begrenzungsdraht im Uhrzeigersinn

D. Verlegen Sie den Draht immer im Uhrzeigersinn. Falls der Draht nicht korrekt verlegt wird, kann es sein, dass der Landroid in den abgegrenzten Bereich fährt

E. Führen Sie den Draht von der Insel auf demselben Weg zurück zum Rand. Führen Sie das Kabel dabei nahe am bereits verlegten Draht entlang und achten darauf, dass sie nicht überlappen

6. Bertelsen-Methode: So machen Sie einen perfekten 90° Winkel mit den Ecken in Richtung Rasen

Wenn es 90° Ecken gibt, die in Ihren Rasen zeigen, verwenden Sie das Bertelsen-Lineal, damit der Landroid perfekte Umdrehungen machen kann (Dies verhindert, dass der Landroid auf ein Hindernis am Rand des Rasens trifft und führt zu einem besseren Mähergebnis)



7. Schließen des Kreises

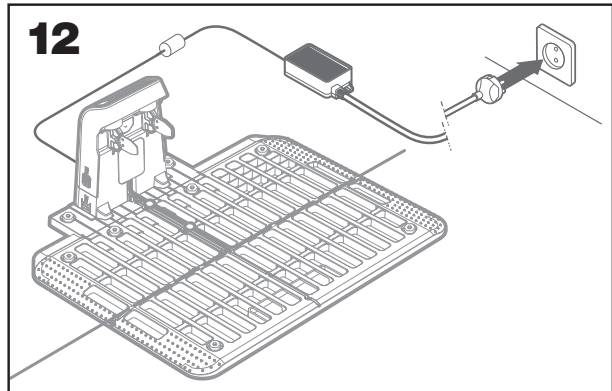
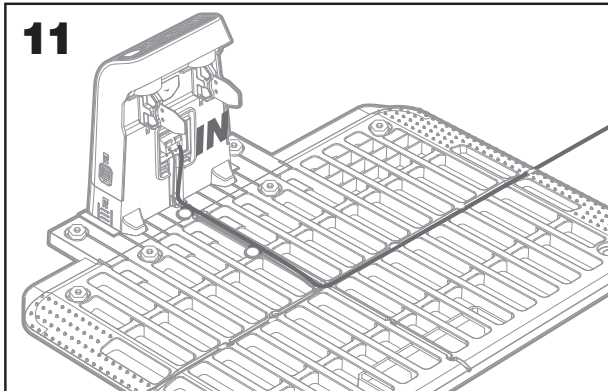
Sobald Sie die Verlegung des Begrenzungsdrahts abgeschlossen haben, begeben Sie sich zur Ladestation.

- A. Führen Sie den Draht durch die Führung in der Station, bis zur Klemme hoch (Abb. 11)
- B. Schneiden Sie überschüssiges Kabel ab und entmanteln Sie das Ende mit einer Schere ab
- C. Fügen Sie das entmantelte Ende in die schwarze, rechte Klemme ein

8. Letzte Schritte

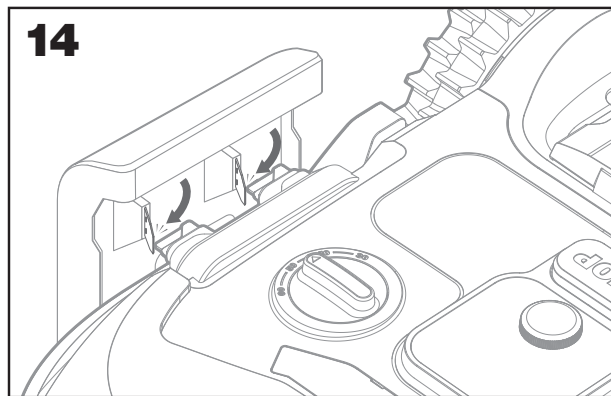
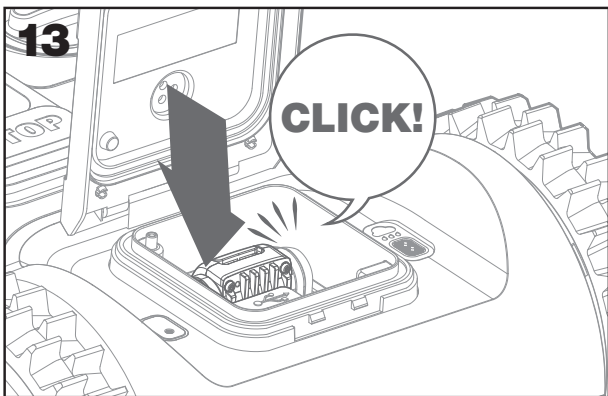
Der langweilige Teil ist jetzt vorbei! Es gibt nur noch einige wenige Dinge zu tun:

- A. Verbinden Sie die Ladestation mit der Steckdose (Abb. 12)
- B. Wenn alles in Ordnung ist, leuchtet die LED an der Ladestation LED grün
- C. Wenn es ein Problem beim Begrenzungsdraht aufgrund von z.B. Kabelbruch oder nicht richtig festgeklemmte Enden gibt, leuchtet die LED Lampe rot. Überprüfen Sie dann die Verlegung auf mögliche Fehler und nutzen Sie das FAQ zur Fehlerbehebung.



D. Öffnen Sie die Klappe an der Rückseite des Landroids und stecken Sie den PowerShare-Akku in den Schacht, so dass er mit einem Klicken einrastet. (Abb. 13)

E. Positionieren Sie den Landroid in der Ladestation und stellen Sie sicher, dass ein fester Kontakt mit der Basis hergestellt wurde (Abb. 14). Die LED wird grün blinken; sobald der Akku vollständig aufgeladen ist, wird die LED dauerhaft grün leuchten.



F. Lassen Sie den Akku des Landroids nun für eine Weile laden. Während der Akku geladen wird können Sie sich entspannt zurücklehnen: Machen Sie sich mit den folgenden Anweisungen vertraut und verbinden Sie Ihren Landroid mit Ihrem WLAN-Netzwerk.

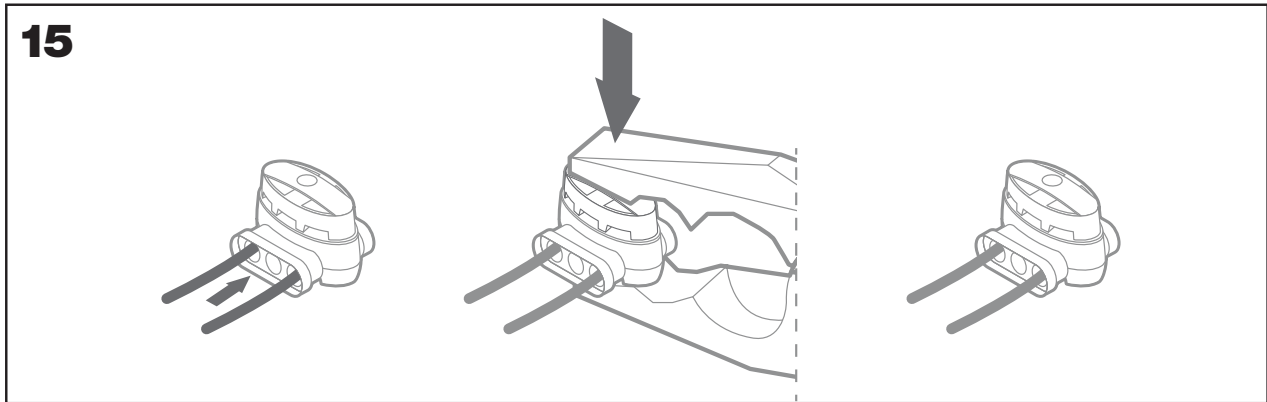
9. Reparieren des Begrenzungsdrahts

Die Landroid-Box enthält zwei kleine, wasserdichte Begrenzungsdrahtadapter. Sie können für folgendes verwendet werden:

- A. Wenn Ihr Rasen eine sehr große Fläche aufweist und Sie zusätzlichen Begrenzungsdraht für den Abschluss der Installation benötigen. Überschreiten Sie bitte nicht eine Länge von 300m Grenzkabel: dies ist die maximal mögliche Begrenzungsdrahtlänge
- B. Wenn der Begrenzungsdraht unbeabsichtigterweise durchtrennt wird und Sie ihn reparieren müssen
- C. Wenn Sie sich dazu entscheiden, Ihren Garten in Zukunft umzugestalten und die ursprüngliche Verlegung ändern müssen

Die Anschlüsse sind wasserdicht und bieten einen optimalen elektrischen Fluss. (Abb. 15)

- A. Fügen Sie beide Enden des Begrenzungsdrahts in eines der drei Löcher des Anschlusses ein; Sie müssen den Draht nicht abmanteln
- B. Fügen Sie den Draht vollständig ein, bis beide Spitzen am anderen Ende des Anschlusses sichtbar sind
- C. Drücken Sie den Anschluss mit einer Beißzange fest

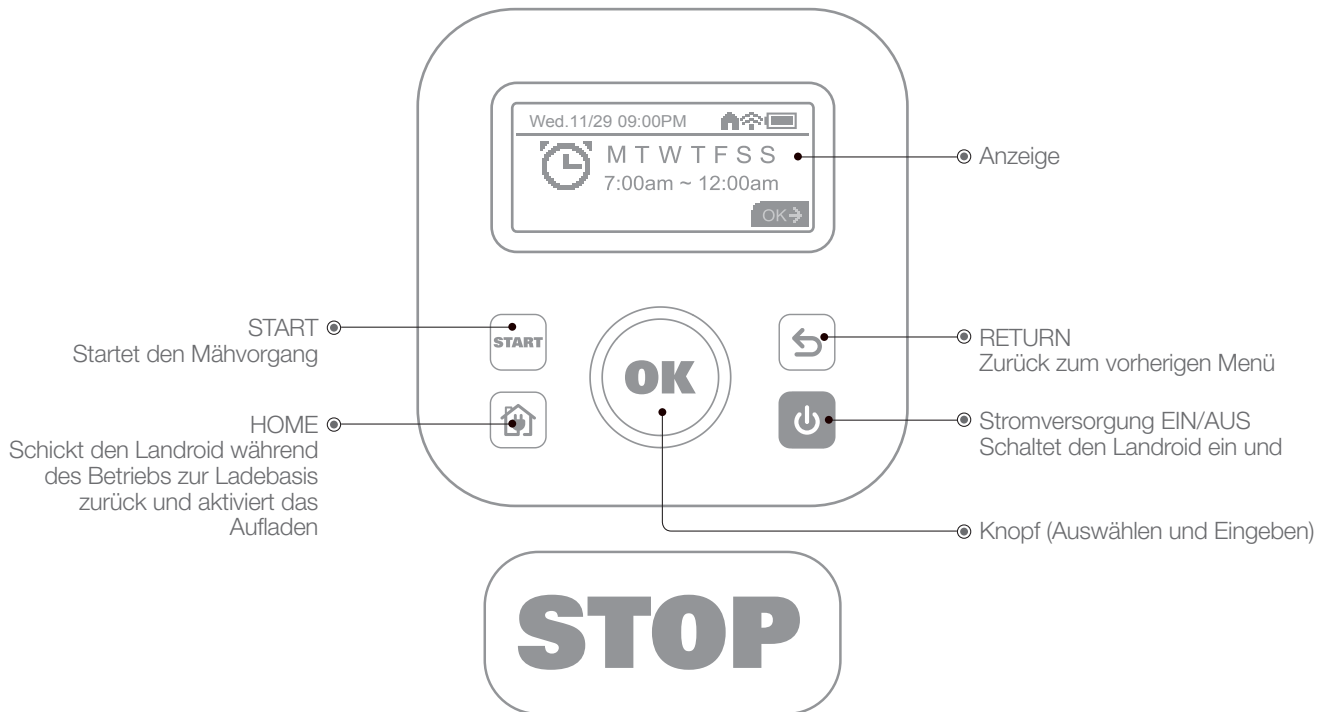


Achtung: Es wird nicht empfohlen das Grenzkabel einfach mit Isolierband zu verbinden oder eine Schraubklemmenleiste für den Anschluss zu verwenden. Eine unterbrochener Stromkreis kann auch erst nach einer gewissen Zeit auftreten, da die Bodenfeuchtigkeit ungeschützten Draht oxidieren lässt.

KOMMEN WIR JETZT ZUM INTERESSANTEN TEIL! STARTEN SIE IHREN LANDROID ZUM ERSTEN MAL.

Machen Sie sich mit dem Bedienfeld vertraut

Das Bedienfeld des Landroid bietet alle wichtigen Funktionen in einem minimalistischen Design. Für erweiterte Funktionen bietet die kostenlose Landroid-App weitere Funktionen in einer funktionsumfassenderen Schnittstelle: Ihrem Smartphone.



Starten des Landroid

- Stellen Sie den Landroid in den Mähbereich
- Drücken Sie die **Stromversorgung EIN/AUS** bis der Bildschirm aufleuchtet. Geben Sie dann den PIN-Code ein
- Drehen Sie den im Uhrzeigersinn, um die **OK** Zahl auszuwählen, und drücken Sie kurz **OK**, um eine nach der anderen zu bestätigen. Der Bildschirm zeigt "PIN-Code OK"
- Drücken Sie die **START** und dann **OK**. Der Landroid wird mit dem Mähvorgang beginnen
- Sie können den Landroid jederzeit anhalten, indem Sie die **STOP** drücken
- Um den Landroid zur Ladestation zu schicken, drücken Sie die **HOME** und dann **OK**

Hinweis: Der Standard-PIN-Code lautet 0000.

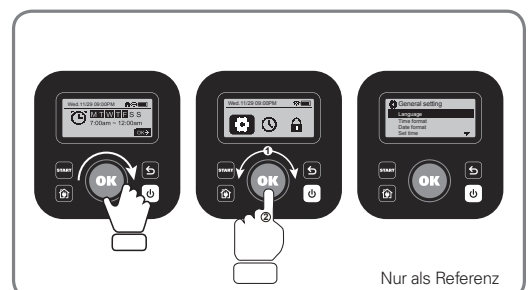
LANDROID BEDIENFELD

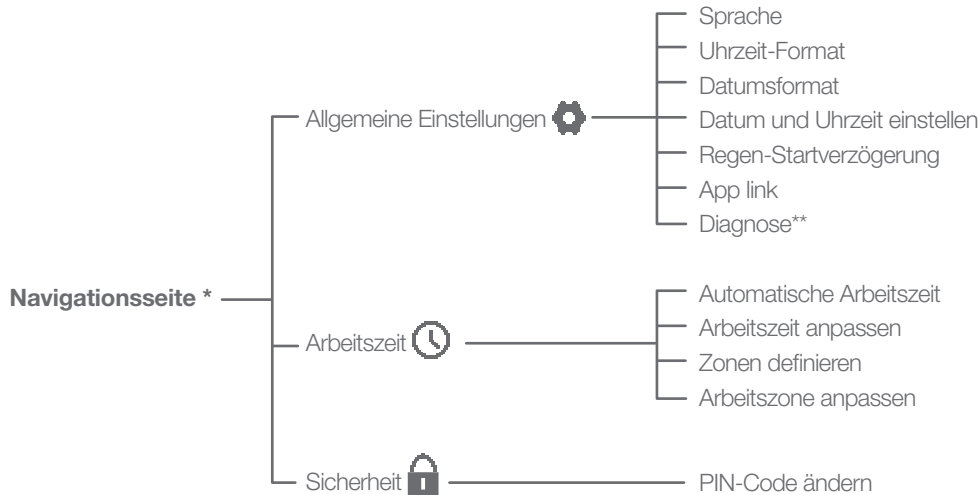
Erweiterte Funktionen über das eingebaute Bedienfeld

Trotz des minimalistischen Designs können Sie mehrere erweiterte Funktionen durch das eingebaute Bedienfeld einstellen. Allerdings empfehlen wir Ihnen für das beste Benutzererlebnis, die kostenlose Landroid-App zu verwenden, da es eine viel umfassendere und intuitivere Schnittstelle darstellt.

1. Einstellung

- Im Uhrzeigersinn drehen **OK**, um die Einstellung aufzurufen
- Drehen Sie dann **OK**, um „Allgemeine Einstellungen“ / „Arbeitszeit“ / „Sicherheit“ auszuwählen, und drücken Sie kurz, um die Eingabe zu starten.
- Verwenden Sie dieselbe Methode, um die Folgemaßnahmen durchzuführen.



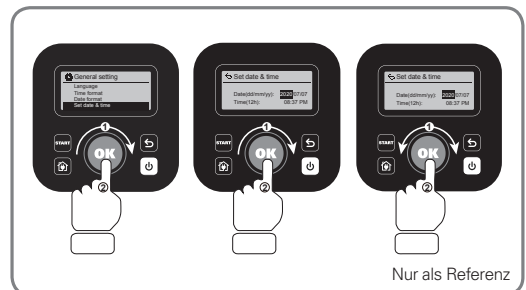


* Wird entsprechend der Softwareversion ständig aktualisiert.

** Nur für den Kundendienst

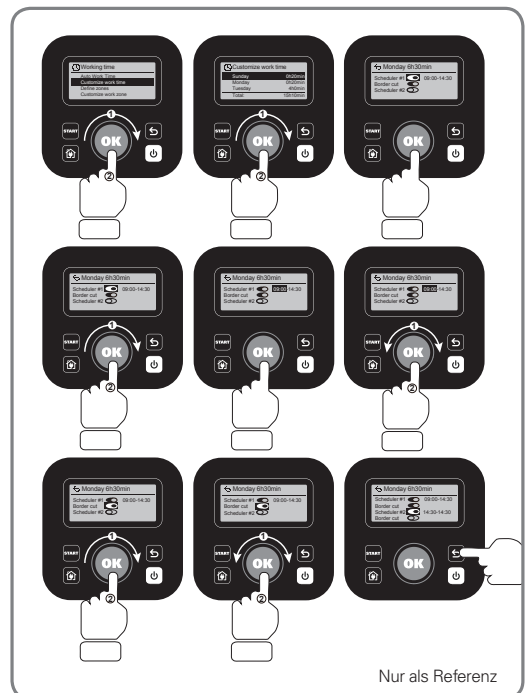
2. Datum & Zeit einstellen

- A. Zurück zu „Allgemeine Einstellungen“
- B. Im Uhrzeigersinn drehen (OK), um Datum und Uhrzeit einzustellen, und kurz drücken, um die Eingabe zu starten.
- C. Drehen Sie dann im Uhrzeigersinn (OK), um „dd“ auszuwählen, und drücken Sie kurz. Die ausgewählte Nummer blinkt.
- D. Drehen Sie anschließend die Taste (OK), um die Nummer auszuwählen, und drücken Sie zur Bestätigung kurz. Verwenden Sie dieselbe Methode, um „MM / JJ / Zeit“ abzuschließen.



3. Passen Sie die Arbeitszeit an

- A. Zurück zur „Arbeitszeit“
- B. Drehen Sie im Uhrzeigersinn (OK), um die Arbeitszeit anzupassen, und drücken Sie kurz, um die Eingabe zu starten.
- C. Im Uhrzeigersinn drehen (OK), um den Wochentag auszuwählen, und kurz drücken.
- D. Drücken Sie dann (OK), um die Einstellung einzugeben.
- E. Im Uhrzeigersinn drehen (OK), um „Schedule # 1 **“ zu aktivieren. Zur Bestätigung kurz drücken (OK).
- F. Drehen Sie anschließend im Uhrzeigersinn (OK), um die Startzeit „Stunde / Minute“ auszuwählen, und drücken Sie kurz, um die Einstellung aufzurufen. Die ausgewählte Nummer blinkt.
- G. Drehen Sie die Taste (OK), um die Startzeit auszuwählen, zu der Ihr LANDROID an einem bestimmten Tag mähen soll, und drücken Sie zur Bestätigung kurz. Verwenden Sie dieselbe Methode, um die Stoppzeit zu vervollständigen.
- H. Drehen Sie danach im Uhrzeigersinn (OK) und drücken Sie kurz, um die Einstellung „Randschnitt“ aufzurufen.
- I. Drehen Sie (OK), um zu entscheiden, ob der „Randschnitt“ aktiviert werden soll oder nicht, und drücken Sie zur Bestätigung kurz.
- J. Wenn Sie „Schedule # 2 **“ festlegen möchten, verwenden Sie dieselbe Methode wie oben.
- K. Drücken Sie (S) und verwenden Sie dieselbe Methode, um die Arbeitszeit an anderen Wochentagen einzustellen.



* Zwei Zeitpläne können an einem Tag festgelegt werden.

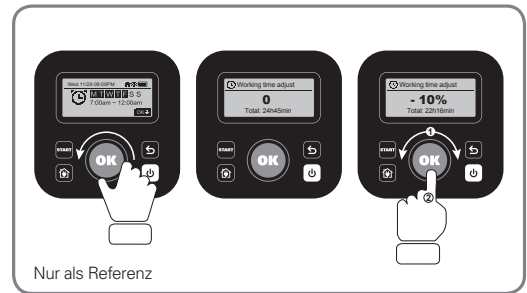
4. Arbeitszeit anpassen

Sie können die Arbeitszeit der Woche schnell anpassen. Das Inkrement / Dekrement der Zeit wird gleichmäßig auf die erforderlichen Arbeitstage verteilt
 A. Zurück zur Hauptschnittstelle.

B. Gegen den Uhrzeigersinn drehen **OK**, um die Arbeitszeiteinstellung zu aktivieren.

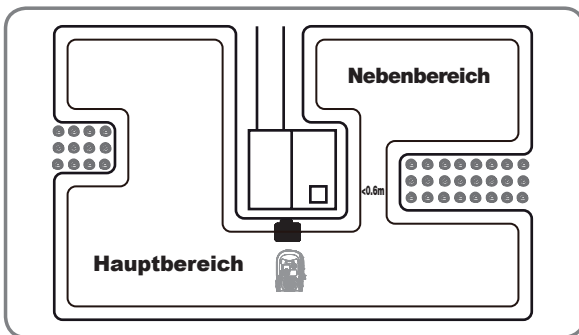
HINWEIS: Die Gesamtzeit basiert auf der benutzerdefinierten Arbeitszeit und kann durch einen Gradienten von 10% angepasst werden.

C. Zum Einstellen drehen **OK** und zur Bestätigung kurz drücken.



5. Single Cut Einstellung

Wenn Ihr Rasen mehrere Bereiche hat, die durch einen Korridor miteinander verbunden sind, sollte er mindestens 0,6 m breit sein. Wenn der Korridor schmaler als 0,6 m ist, hat Landroid Schwierigkeiten, zwischen den beiden zu reisen. In diesem Fall wird empfohlen, einen Hauptbereich und einen Nebenbereich in Ihrem Rasen einzurichten. Der Begrenzungsdraht sollte wie in der Abbildung dargestellt platziert werden. Für eine flexible Arbeitseinrichtung (ob zur Ladestation zurückgekehrt werden soll oder ob ein Grenzschnitt durchgeführt werden soll), insbesondere wenn sich Landroid in einem sekundären Bereich befindet, in dem keine Ladestation vorhanden ist, ist eine Einzelschnitteneinstellung erforderlich.



- Platzieren Sie Landroid innerhalb Begrenzungsdraht.
- Wenn Ihr Landroid mit der Ladestation verbunden ist.

A. Zurück zur Hauptschnittstelle.

B. Dreimal schnell drücken **START**.

C. Drehen Sie im Uhrzeigersinn **OK**, um „Haus vorhanden? -JA / NEIN“ (ob sich die Ladestation in der Nähe befindet oder nicht) auszuwählen, und drücken Sie kurz, um die Einstellung einzugeben. Das ausgewählte Wort blinkt und zur Bestätigung kurz drücken.

D. Drehen Sie anschließend **OK**, um „Rahmenschnitt aktivieren - Ja / Nein“ auszuwählen (ob Randschnitt ausgeführt werden soll oder nicht), und drücken Sie kurz. Das ausgewählte Wort blinkt und zur Bestätigung kurz drücken. Verwenden Sie dann dieselbe Methode, um die „Arbeitszeit“ zu vervollständigen.
 E. Drehen Sie dann im Uhrzeigersinn **OK**, um „Start“ auszuwählen, und drücken Sie kurz, um mit dem Mähen zu beginnen

Hinweis: Landroid kehrt zum Aufladen zur Ladestation zurück, wenn der Akku leer ist oder die Schnittzeit abgelaufen ist. Wenn Landroid vollständig aufgeladen ist und die eingestellte Zeit nicht abgelaufen ist, mäht Landroid weiter, bis die Zeit abgelaufen ist.

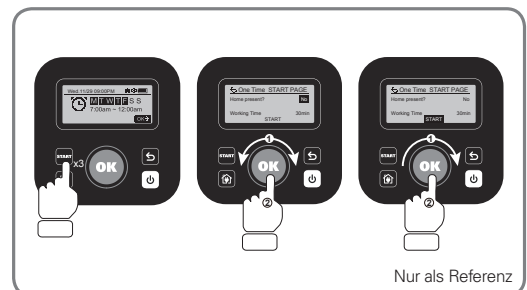
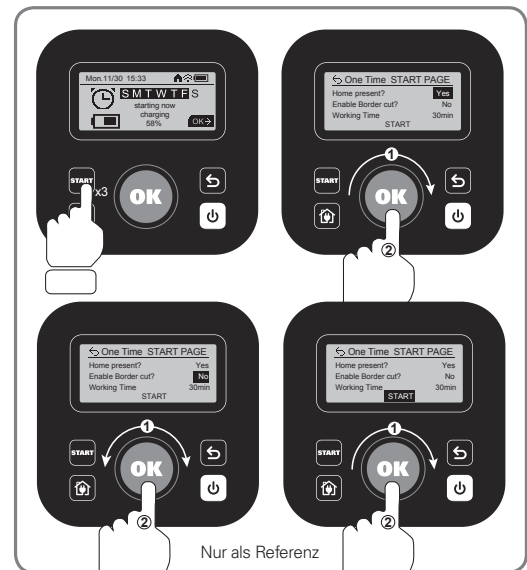
- Wenn Ihr Landroid von der Ladestation getrennt ist,

A. Zurück zur Hauptschnittstelle.

B. Dreimal schnell drücken **START**.

C. Drehen Sie **OK**, um „Haus vorhanden? -JA / NEIN“ (ob sich die Ladestation in der Nähe befindet oder nicht) auszuwählen, und drücken Sie kurz, um die Einstellung einzugeben. Das ausgewählte Wort blinkt und zur Bestätigung kurz drücken. Verwenden Sie dieselbe Methode, um die „Arbeitszeit“ zu vervollständigen.
 D. Drehen Sie dann im Uhrzeigersinn **OK**, um „Start“ auszuwählen, und drücken Sie kurz, um mit dem Mähen zu beginnen

Hinweis: Wenn sich Ihr Landroid im Hauptbereich befindet (der Ort, an dem sich die Ladestation normalerweise befindet), kehrt er zum Laden zur Ladestation zurück, wenn der Akku leer ist oder die Schnittzeit abgelaufen ist. Wenn Landroid vollständig aufgeladen und das Gerät eingestellt Die Zeit ist noch nicht abgelaufen. Landroid mäht weiter, bis die Zeit abgelaufen ist. Wenn sich Ihr Landroid im sekundären Bereich befindet, hört er auf zu mähen und bleibt an dem Ort, an dem der Akku leer ist, die Schnittzeit abgelaufen ist, Landroid auf einige Probleme stößt (z. B. Abstürze usw.) oder „STOP“ manuell gedrückt wird.



VERBINDUNG DES LANDROID MIT DEM INTERNET

Weshalb müssen Sie den Landroid verbinden?

Ihr Landroid kann über WLAN oder Bluetooth verbunden werden. Der Landroid ist ein IoT-Gerät (Internet der Dinge Gerät). Um immer eine vollständige Funktionsfähigkeit Ihres Landroids zu gewährleisten und es immer auf dem aktuellsten Stand der Software zu halten, muss er mit dem Internet über Ihr WLAN-Netzwerk



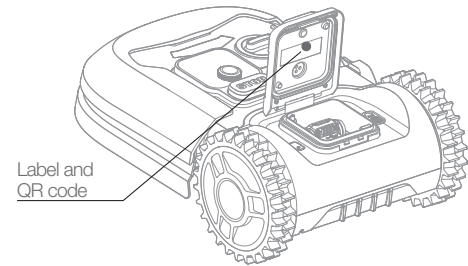
BEVOR SIE LOSLEGEN

1. Laden Sie die App herunter

Laden Sie zuerst die kostenlose Landroid-App herunter. Holen Sie sich die App aus dem Android oder dem Apple App Store

2. Stellen Sie sicher, dass Sie folgende Dinge haben:

- A. Ihr WLAN-Netzwerkpasswort / Bluetooth-Funktion auf Ihrem Smartphone
 - B. Seriennummer des Landroids: Sie können diese unter der hinteren Abdeckung des Geräts finden.
- Anstatt die 20-stellige Seriennummer einzutippen, können Sie sie auch bei der Einrichtung per App am QR-Code einscannen.



Überprüfen Sie Ihre Einstellungen

WiFi Verbindung

- A. Landroid arbeitet ausschließlich mit einem 2,4 GHz WLAN-Signal
- B. Stellen Sie sicher, dass sich Ihr Landroid in derselben Router-Umgebung wie Ihr Smartphone befindet
- C. Stellen Sie sicher, dass der Abstand zwischen Ihrem Landroid, dem Smartphone und Ihrem Router bei der Einrichtung so kurz wie möglich ist

Tipp: Wenn sich Ihr Landroid zu einem Bereich Ihres Rasens mit schlechtem oder keinem WLAN-Signal bewegt, können Anweisungen der App nur ausgeführt werden, wenn der Landroid zu einem Bereich mit gutem Signal zurückkehrt.

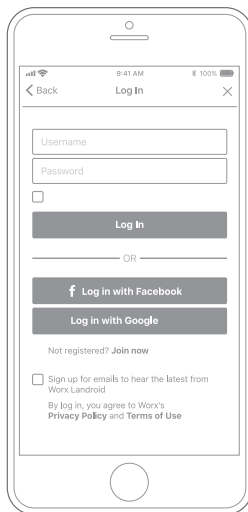
Bluetooth-Verbindung

- A. Die Bluetooth-Funktion Ihres Smartphones ist aktiviert.
- B. Stellen Sie sicher, dass sich Ihr Landroid

SO VERBINDEN SIE DEN LANDROID MIT DEM INTERNET

Starten Sie die App und folgen Sie diesen Anweisungen.

1. Registrieren Sie Ihr Konto



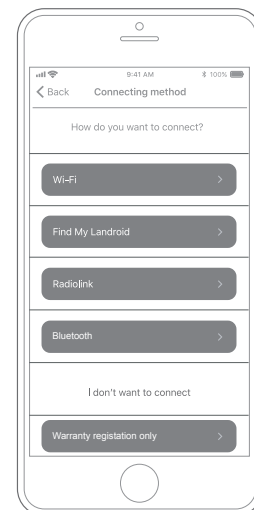
Registrieren Sie Ihr Konto, indem Sie einen Benutzernamen und das Passwort eingeben oder sich über Facebook oder Google anmelden.

2. Geben Sie die Seriennummer des Landroid ein



Registrieren Sie Ihren Landroid durch manuelle Eingabe der Seriennummer oder indem Sie den QR-Code einscannen.

3. Wählen Sie Ihre Verbindung aus



Wählen Sie Ihr WLAN-Netzwerk oder Bluetooth oder Sie können eine Verbindung über die Option "Mein Landroid" oder "Radiolink" herstellen.

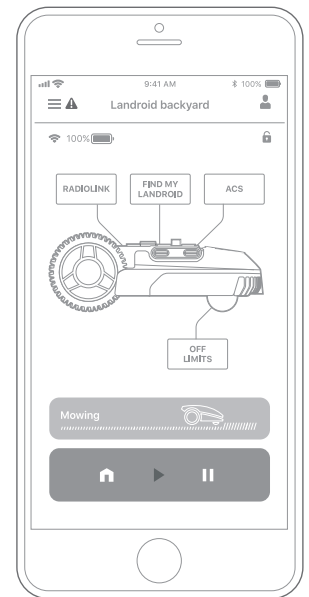
Wenn Ihr WLAN nicht den gesamten Rasen abdeckt, können Sie den Kauf des Landroid RadioLink Moduls in Erwägung ziehen, welches das Signal auf bis zu 300m Reichweite erweitert.
Alternativ können Sie auch das Find My Landroid Modul kaufen, mit welchem Sie nicht nur Ihr Landroid durch die eingebaute SIM-Karte überall mit dem Internet verbinden können, sondern durch GPS auch geschützt vor Diebstahl sind.

LANDROID-APP NICHT EINFACH NUR EINE FERNBEDIENUNG

Denken Sie nicht, dass dies nur eine Fernbedienung ist. Die App ist ein integraler Bestandteil des erweiterten Ökosystems des Worx Landroid und basiert auf Cloud-Computing und künstlicher Intelligenz.

Dank der Augmented-Reality-Funktion der App können Sie den Bereich Ihres Rasens genau messen. Es ist so einfach wie ein Spaziergang an durch den Garten.

Eine Vielzahl von Faktoren beeinflusst die Wachstumsrate Ihres Grases. Landroid kombiniert sie alle, um die beste Behandlung für Ihren Rasen zu bestimmen. Tag ein, tag aus



⚠ ATTENTION : Lisez toutes les mises en garde et toutes les instructions. Le non-respect des mises en garde et des instructions peut être à l'origine d'électrocutions, d'incendies et/ou de blessures graves. Lisez attentivement le manuel d'utilisation afin d'utiliser l'appareil d'une manière sécurisée. Gardez le mode d'emploi et les mises en garde pour pouvoir vous y référer ultérieurement.

FONCTIONNEMENT DE LANDROID

Dans la section suivante, nous aimerions vous aider à mieux comprendre comment fonctionne le Landroid. Le Landroid est une machine autonome capable de fonctionner toute seule. Elle sait quand se rendre vers son socle de recharge, peut détecter la pluie, peut s'arrêter si elle perçoit un problème et sait comment s'arrêter, faire demi-tour ou prendre un virage lorsqu'elle se rencontre un obstacle qui lui bloque la route. Pour éviter un accident, le Landroid va également empêcher automatiquement son disque de coupe de continuer à tourner lorsqu'il est soulevé du sol.

Se recharge tout seul



Lorsque votre Landroid doit être rechargé, il arrête de tondre et suit le câble périphérique dans la direction anti-horaire pour retourner vers son socle de recharge. Une fois la recharge terminée, le Landroid recommence automatiquement à tondre ou reste sur son socle de recharge en fonction de son programme de tonte.

Gestion des bordures



Landroid est programmé pour tondre le gazon le long du périmètre de votre pelouse deux fois par semaine le lundi et le vendredi. Si vous souhaitez modifier ce réglage d'usine, vous pouvez le modifier via votre smartphone ou en utilisant le panneau de commande dans les menus «Temps de travail-Régler temps travail». Voir les instructions détaillées à la fin de ce manuel.

Capteur de pluie



Le Landroid est 100 % résistant aux intempéries et reste volontiers à l'extérieur. Toutefois, la tonte d'une herbe mouillée n'offre pas toujours le meilleur rendu ou résultat. Le Landroid est équipé d'un capteur de pluie qui détecte la pluie et demande au Landroid d'arrêter de tondre et retourner à son socle de recharge.

Temps d'attente après pluie



Après une pluie, le Landroid redémarre lorsque l'herbe n'est plus mouillée. Le temps d'attente par défaut après une pluie est de 180 minutes. Le paramètre temps d'attente peut être modifié via l'application Landroid.

Dans les conditions météorologiques les plus extrêmes.



En cas d'orage, protéger le Landroid en débranchant le socle de recharge, en déconnectant le câble périphérique et en s'assurant que le Landroid ne peut pas se recharger. Pendant l'hiver et en particulier en cas de temps très froid et de neige, nous vous conseillons de garder le Landroid à l'intérieur. Dans certains pays, nous proposons des services d'entretien d'hiver pour votre Landroid afin qu'il soit prêt pour la saison de végétation au printemps. Contactez votre revendeur ou vérifiez en ligne pour plus d'informations.

Plus de dépôts d'herbe à ramasser

La tonte quotidienne du Landroid produit des dépôts très courts qui n'ont pas besoin d'être ratissés. Ces dépôts constitue un nutriment biologique parfaitement sain pour votre pelouse. La tonte fréquente favorise la densité des brins d'herbe et prévient efficacement la propagation de la mauvaise herbe.

Cut to edge

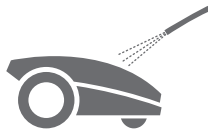
La lame excentrée spéciale du modèle Landroid M et L vient aussi près que possible du bord de votre pelouse ; vous n'aurez donc besoin que de peu ou pas de boiseries.

Hauteur de coupe

Avant la mise en service de votre Landroid, assurez-vous que la hauteur de votre herbe ne dépasse pas 10 cm. Si elle est plus longue, utilisez une tondeuse conventionnelle pour la couper avant d'utiliser le Landroid. Si vous voulez raccourcir de manière drastique la hauteur de votre herbe, il est conseillé de le faire graduellement en réglant la hauteur de coupe par crans.

Sécurité et Protection par PIN

Pour prévenir toute utilisation par des personnes non autorisée, le Landroid est protégé par un code PIN que vous pouvez facilement configurer.

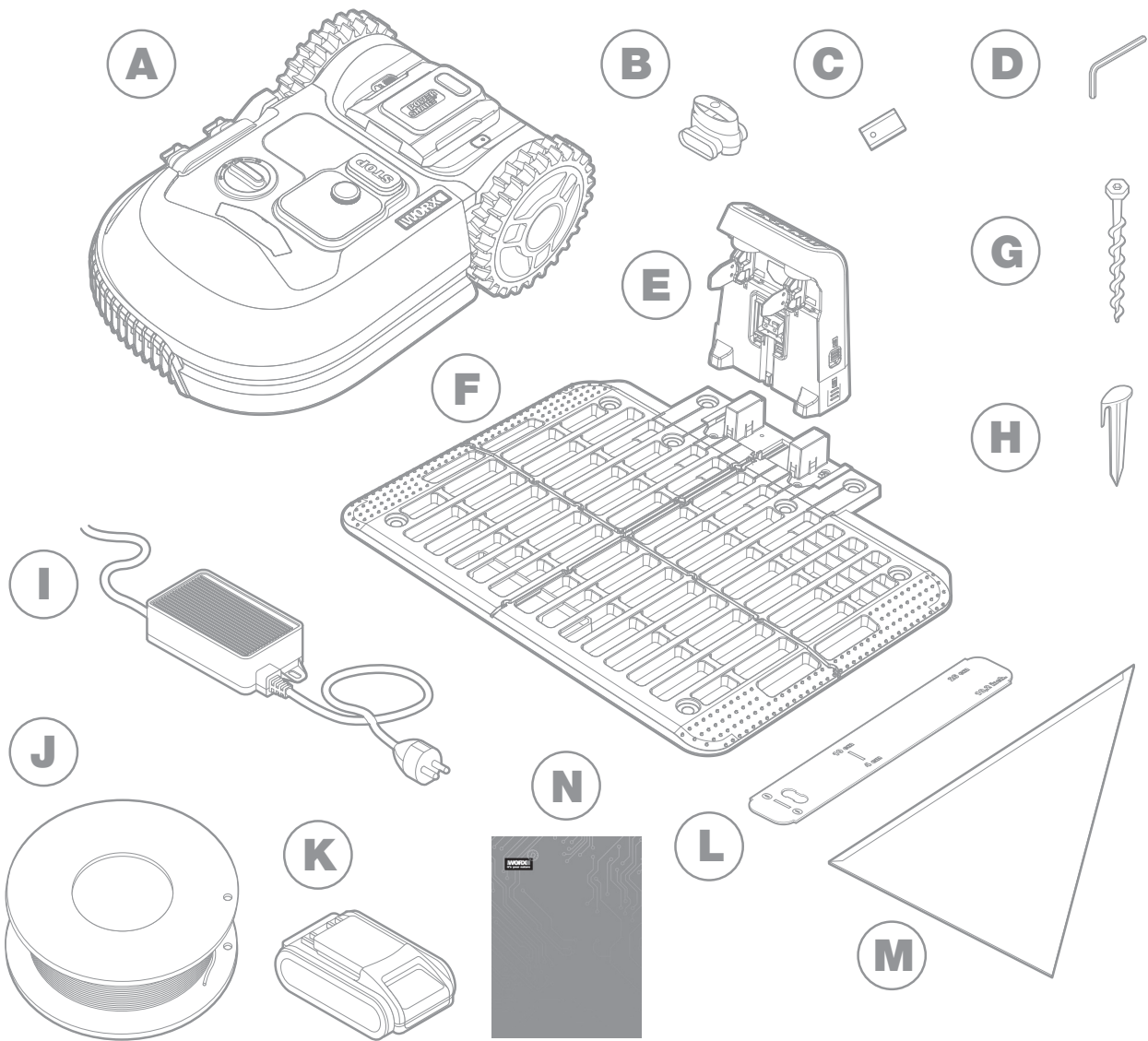
Nettoyage facile

Grâce à son IPX5 imperméable à l'eau, Landroid élimine la saleté, l'herbe et les sortes de sinistre qu'il ramasse au travail. Landroid devient encore plus performant.

Trace au sol

Avec la nouvelle conception à levage automatique, ses lames peuvent se soulever automatiquement, ce qui lui donne plus de dégagement. Cela aide Landroid à éviter certaines situations qui bloqueraient d'autres tondeuses robotiques.

CONTENU DU CARTON



L'illustration est fournie à titre indicatif uniquement.

- A** Worx Landroid

- B** Connecteurs de réparation de câble

- C** Lames de rechange

- D** Clé hexagonale

- E** Batterie en rechargement

- F** Socle de recharge

- G** Vis

- H** Chevilles de bord

- I** Alimentation électrique

- J** Câble périphérique

- K** Batterie 20V

- L** Jauges de distance pour câble périphérique

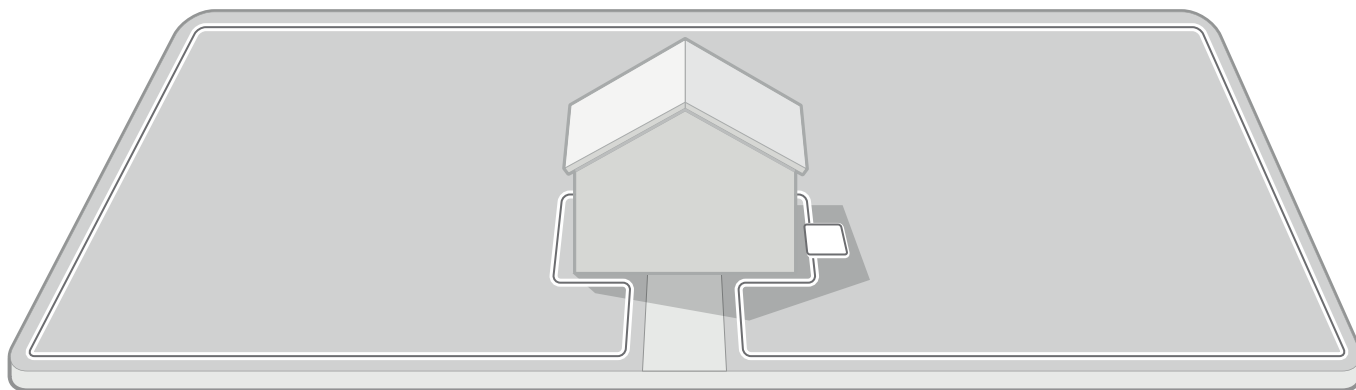
- M** Règle de bertelsen

- N** Manuels

INSTALLATION

Installer votre Landroid est facile si vous observez scrupuleusement les instructions suivantes. En gros, il s'agit d'installer le socle de recharge et disposer le câble périphérique tout autour de votre pelouse. En plus du présent manuel, vous pouvez utiliser le guide de démarrage à l'intérieur du carton et regarder le tutoriel vidéo exhaustif sur la chaîne YouTube*.

* Ces informations sont fournies à toutes fins utiles, mais ne se substituent pas au manuel d'instruction et aux consignes de sécurité qui doivent être lus et compris.



Parcourez votre pelouse pour planifier l'installation

Installez le socle de recharge

Posez le fil de bord

Connectez la station de recharge à l'alimentation

Allumer le Landroid. Testez et préparez-vous à tondre

CHAQUE MINUTE CONSACRÉE À LA PLANIFICATION VOUS ÉPARGNE 10 MINUTES D'EXÉCUTION

L'installation du Landroid est encore plus facile si vous avez une idée claire de ce que vous devez faire. Une planification adéquate vous permet d'éviter des erreurs ou d'avoir à réajuster l'installation une fois qu'elle est terminée.

1. À la surface ou enterré ?

Le câble périphérique du Landroid est conçu pour rester à la surface de votre pelouse. Quasiment invisible à partir du premier jour, il sera enterré dans le sol dans quelques semaines après. Si vous souhaitez enterrer le fil, il est conseillé de l'ancrer au sol au préalable et de vérifier le bon fonctionnement de l'installation en exécutant Landroid sur l'ensemble du périmètre. Ceci vous permettra de vérifier facilement tous les aspects et, si nécessaire, de modifier la configuration avant d'enterrer le fil. N'enterrez le fil qu'à quelques centimètres sous la surface du sol de façon à ce que le fil préserve un bon signal.

2. Planification pour la station de charge

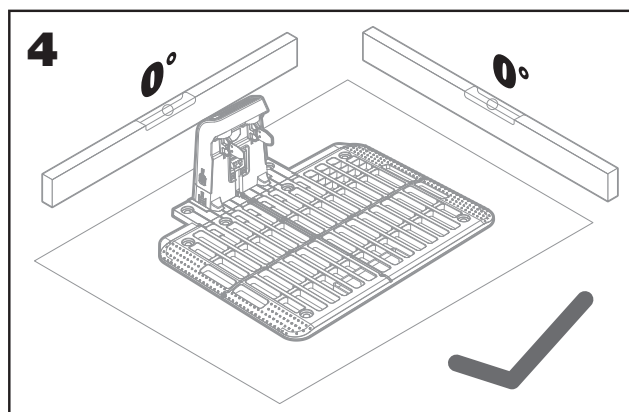
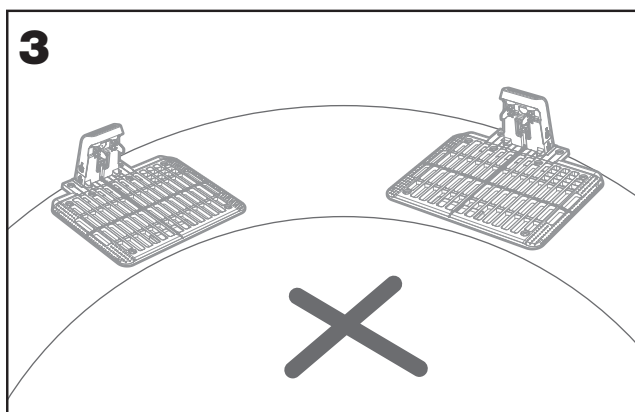
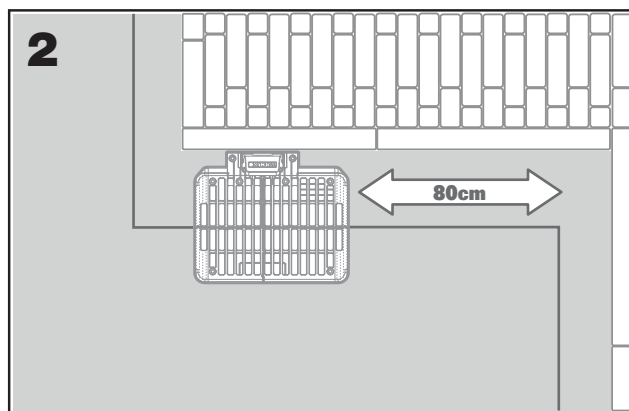
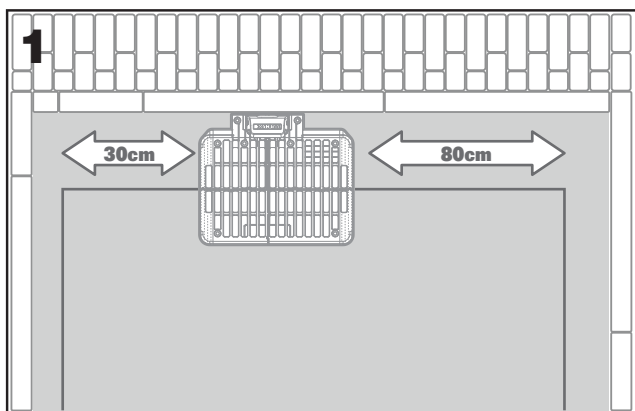
La station de charge, composé d'une batterie de chargement et d'une base de chargement, est le dispositif où va votre Landroid pour être rechargé. C'est également l'aire de stationnement sur lequel il reste entre chaque session de tonte.

Trouvez lui un emplacement adéquat en gardant à l'esprit ce qui suit :

- A. Elle doit être sous tension, alors elle ne doit pas être placée à plus de 10 m d'une prise de courant AC.
- B. Si possible, choisissez un emplacement ombragé car les batteries et chargeurs supportent mal la surchauffe.
- C. Le socle doit être placé sur une surface plane pour une fixation solide
- D. Évitez de la positionner près d'arroseurs.

Vous pouvez placer la station de charge sur votre gazon ou sur une surface dure comme un allée à condition que le gazon et la surface dure soient à la même hauteur (sans escaliers).

Pour entrer dans la station, le Landroid a besoin d'une trajectoire rectiligne vers l'avant d'au moins 80 cm. Sur le côté de sortie, il a besoin d'une trajectoire rectiligne d'au moins 30 cm avant de tourner à gauche (fig. 1). En cas de virage à droite, une trajectoire rectiligne n'est pas nécessaire (fig. 2).

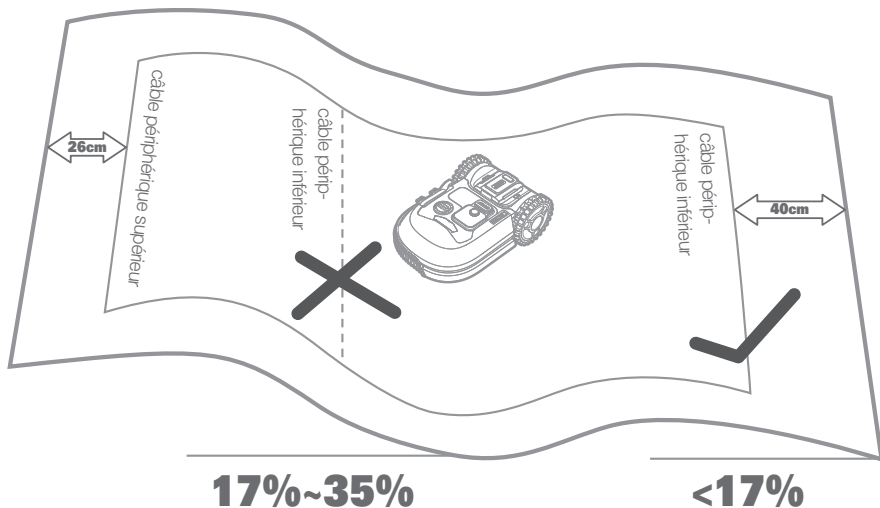


3. Liste à cocher station de charge :

- A. à portée de la prise de courant AC
- B. dans une zone ombragée
- C. trajectoire rectiligne vers l'entrée ; trajectoire rectiligne à la sortie si nécessaire
- D. terrain plat
- E. aucun arroseur à proximité

4. Installation du câble périphérique sur une pente

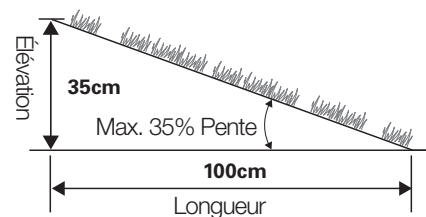
Le câble périphérique supérieur NE doit PAS être placé sur des pentes raides de plus de 35 % (20 °)*. Le câble périphérique inférieur NE doit PAS être placé sur des pentes raides de plus de 17 % (10 °) et doit être placé à au moins 40 cm de tout obstacle lorsqu'il est positionné sur une pente de 17 %.



*** Comment calculer la pente de votre gazon ?**

Donc, la pente sera:

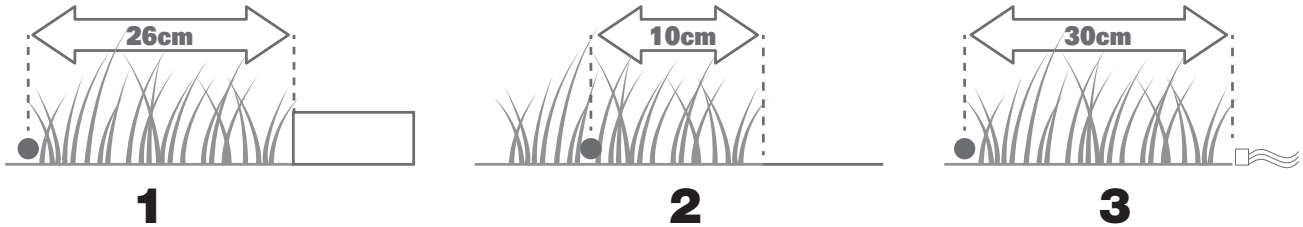
$$\frac{35\text{cm (Élévation)}}{100\text{cm (Longueur)}} = 35\% \text{ (Pente)}$$



5. Planifier l'installation du câble périphérique

Le fil doit être placé à une certaine distance du bord de la pelouse. Cette distance varie en fonction de ce qui se trouve de l'autre côté du bord. Différentes parties de votre gazon peuvent être en bordure de différentes structures :

- A. Si le bord de la pelouse se trouve à la limite d'une marche d'escalier : gardez le fil à 26 cm du bord. (figure 1)
- B. Si le bord de la pelouse se trouve à la limite d'un chemin de même hauteur : gardez le fil à 10 cm du bord. (figure 2)
- C. Si le bord de la pelouse borde une piscine : placez le câble à au moins 30 cm du bord. (figure 3)



Si un côté de la pelouse borde la pelouse d'un voisin utilisant un robot tondeuse, placez le câble à au moins 1 m du câble du voisin pour éviter toute interférence éventuelle.

ARCOUREZ VOTRE PELOUSE

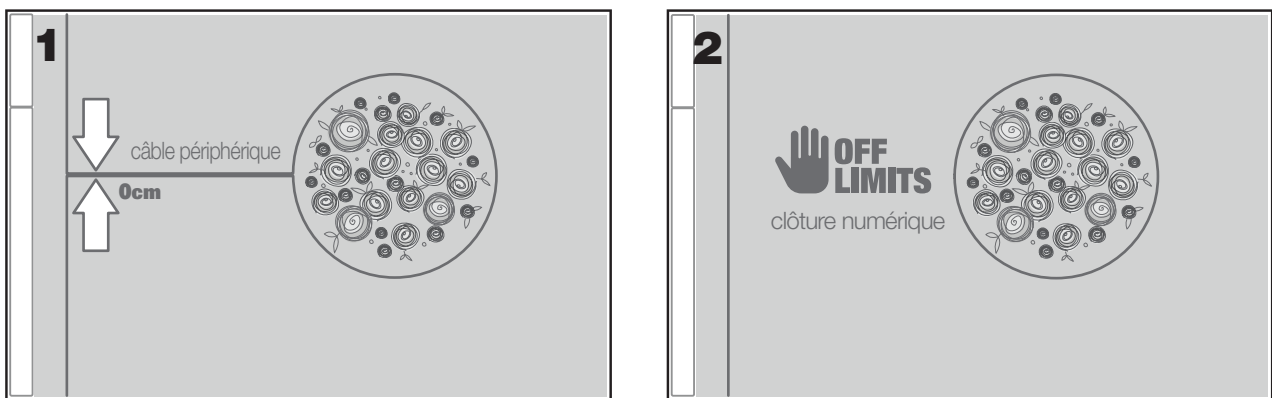
Le Landroid est conçu pour gérer les pelouses les plus complexes. Procédez à une inspection visuelle de votre pelouse pour garantir une installation sans problème du câble périphérique.

1. Identifier les zones interdites

Si vous ne voulez pas que le robot tondeuse tonde les fleurs, soit immergée dans un bassin d'eau ou broie des racines d'arbre qui émergent du sol. Trouvez ces zones et entourez-les du câble périphérique pour éviter que le Landroid y accède.

Le câble périphérique est une boucle simple connectée aux deux extrémités de la station de charge, alors vous allez devoir déployer le fil à partir de la bordure, entourez la zone que vous souhaitez protéger, puis ramener le fil vers la bordure comme illustré à la fig. 1. Si les zones à entourer sont éloignées du bord de votre pelouse ou si vous avez différentes zones et racines d'arbre à protéger, cette méthode traditionnelle prend beaucoup de temps.

L'une des excellentes alternatives consiste à acheter l'option Off-Limits de Landroid. Cette option permet d'entourer simplement les zones interdites avec la clôture numérique Off-Limits qui n'a pas besoin d'être connectée à la bobine de bord (fig. 2). La clôture numérique Off-Limits est également excellente pour protéger les équipements saisonniers (par ex. un trampoline) ou pour protéger de nouvelles modifications de la configuration de votre pelouse sans perturber le câble périphérique.



2. Identifier les obstacles

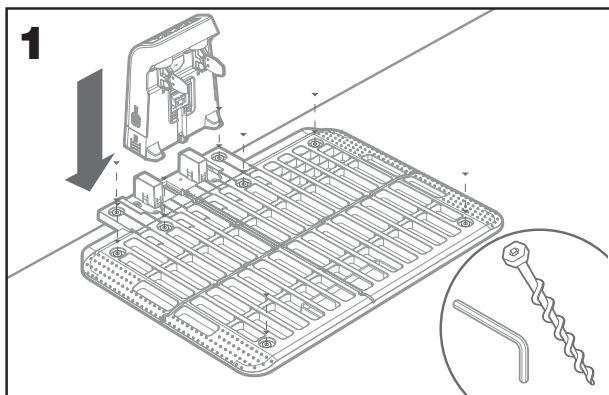
Le capteur de chocs du Landroid peut gérer les obstacles solides tels que les arbres, les meubles et objets similaires qui n'ont pas besoin d'être encerclé par le câble périphérique. Si votre pelouse contient plusieurs obstacles et arbres proches les uns des autres, nous vous conseillons d'acheter l'option Landroid ACS, un pilote automatique ultra-sonique intelligent qui permet à votre Landroid de contourner les obstacles au lieu de s'y heurter.

ET MAINTENANT, RETROUSSEZ VOS MANCHES. QUAND C'EST FINI, C'EST FINI !

Maintenant que vous avez planifié chaque détail de l'installation, vous êtes prêt à agir. Avant de commencer, vous devriez utiliser votre ancienne tondeuse une dernière fois pour nettoyer votre pelouse et faciliter l'installation.

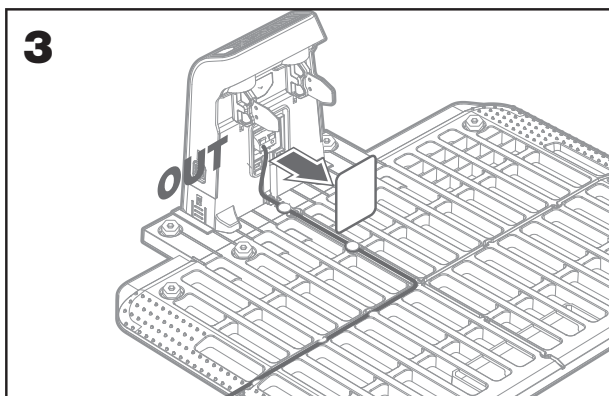
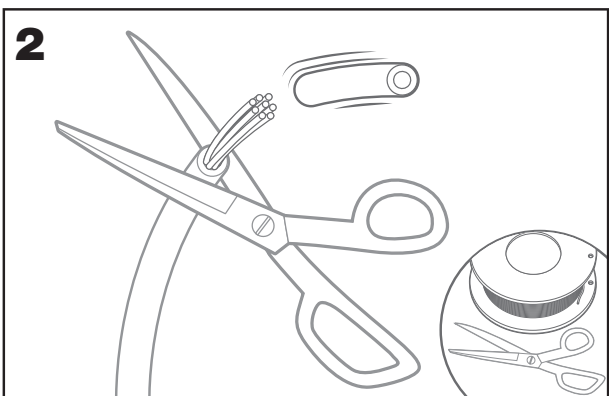
1. Fixez la station de recharge à l'endroit sélectionné

- A. Insérez la batterie de chargement dans la base de chargement. Fixez ensuite la station de charge au sol à l'aide des vis et la clé hexagonale fournie (fig. 1)
- B. Si vous placez le socle sur une surface dure, fixez-le à l'aide de tampons ou vis de fixation (non fournis)



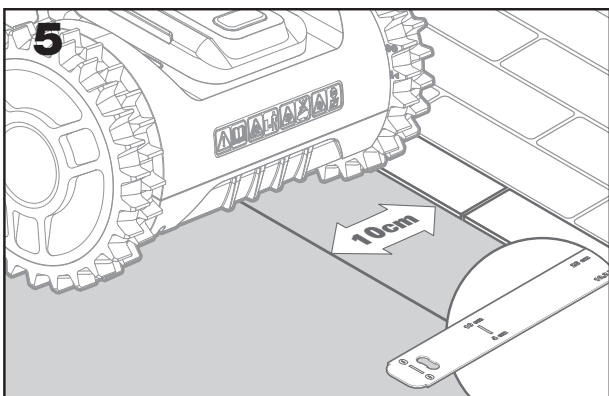
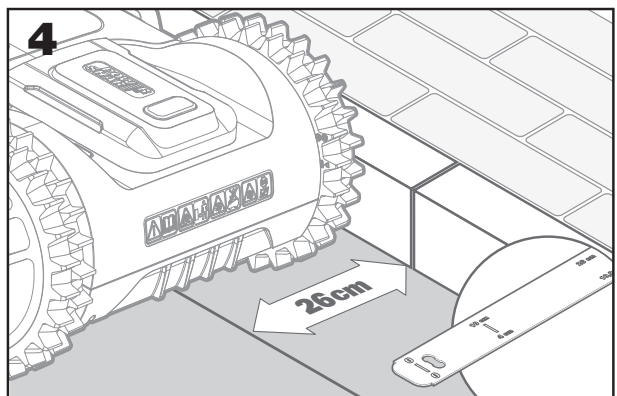
2. Connectez une extrémité du câble périphérique à la station de charge

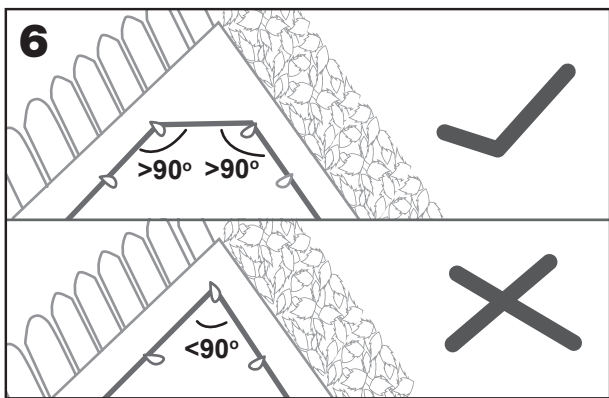
- A. Dénudez l'extrémité du câble à l'aide d'une paire de ciseaux (fig. 2)
- B. Ouvrez la porte en plastique et insérez le fil dénudé dans la pince gauche rouge (fig. 3)
- C. Faites passer le fil à travers la gaine du socle comme illustré à la fig. 3



3. Disposez le câble périphérique autour de votre pelouse

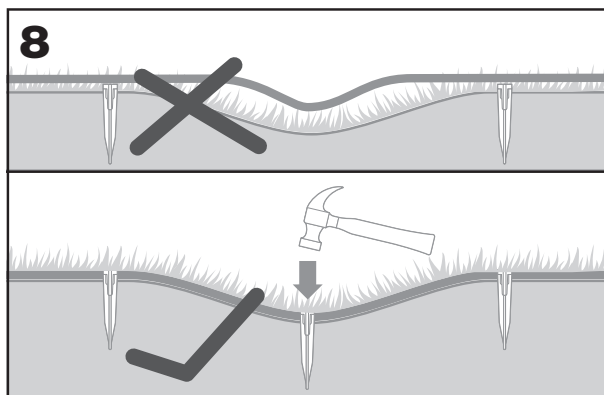
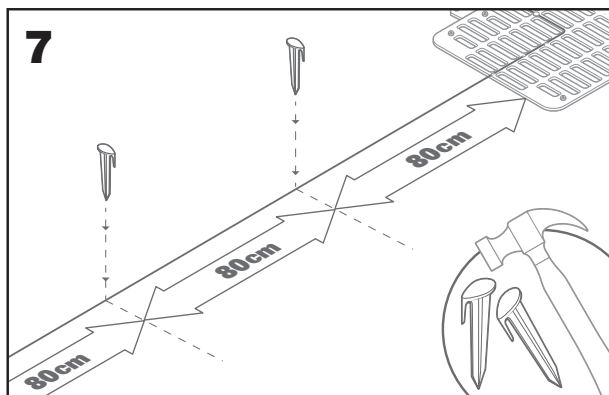
- A. Utilisez la jauge fournie pour régler la distance entre le fil et le bord.
- B. S'il y a une marche d'escalier à la limite de votre pelouse, maintenez le fil à une distance de 26 cm de la marche (fig. 4)
- C. S'il n'y a pas de marche, gardez le fil à 10 cm du bord (fig. 5)
- D. Assurez-vous que le câble périphérique est parfaitement droit dans chaque coin et que l'angle du câble périphérique est supérieur à 90°.





4. Fixez le fil au sol à l'aide des chevilles

- A. Les chevilles doivent être espacés d'au moins 80 cm (fig. 7)
- B. Assurez-vous que le fil est en contact étroit avec le sol (fig. 8)

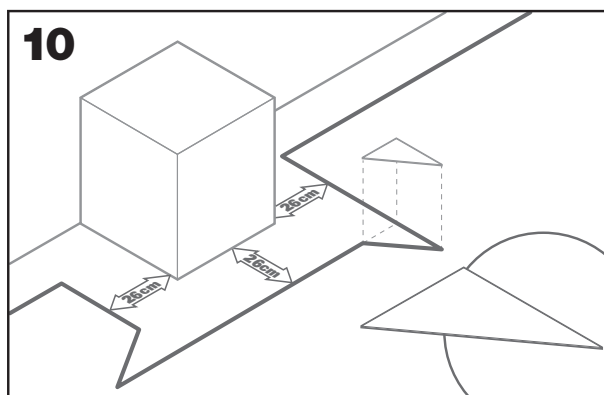
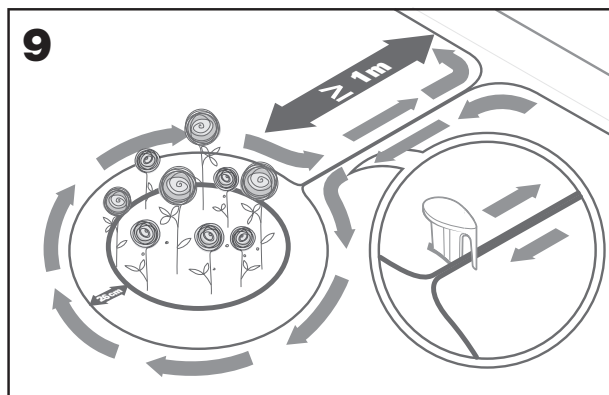


5. Si nécessaire, disposez des îlots périphériques

- A. Protégez les parterres de fleurs, les étangs, les racines d'arbre et autres zones en les entourant avec le câble périphérique.
- B. Déployez-le à partir du bord à la perpendiculaire pour atteindre la zone à protéger.
- C. Entourez la zone avec le fil en gardant une distance de 26 cm jusqu'à ce que l'îlot soit fermé.
- D. Disposez toujours le fil dans le sens anti-horaire. si vous ne le faites pas, la tondeuse pénétrera dans l'îlot.
- E. Retournez vers le bord de la pelouse en suivant le même chemin.

6. Méthode de Bertelsen : comment réaliser des angles parfait de 90° avec des coins en face de la pelouse

S'il y a des coins de 90 degrés qui font face à l'intérieur de votre pelouse, utilisez la règle de Bertelsen pour permettre au Landroid d'effectuer des virages parfaits (et éliminer le risque que le Landroid heurte un obstacle sur le bord de la pelouse pendant qu'il effectue cette manœuvre).



7. Fermez la boucle

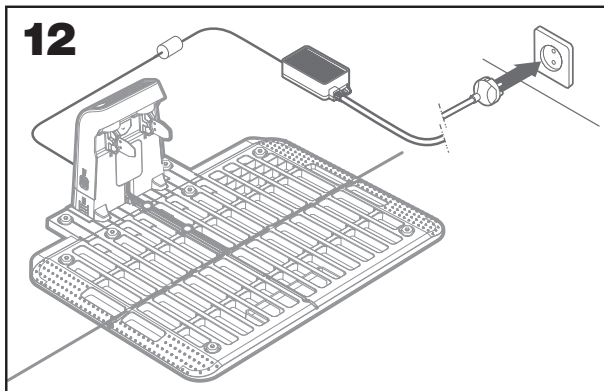
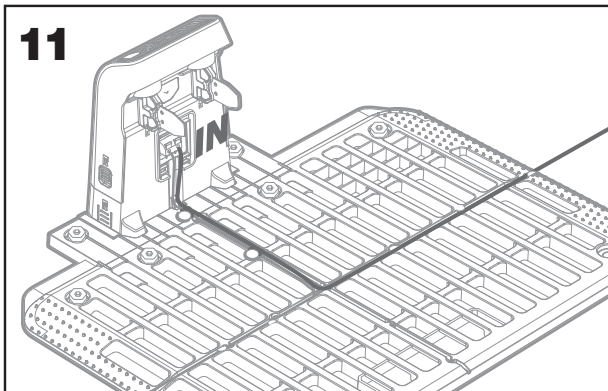
Une fois que vous avez fini de poser le fil sur le périmètre de votre gazon, vous reviendrez sur le socle de recharge.

- A. Faites passer le fil à travers le guide dans le socle jusqu'à la pince (fig. 11)
- B. Coupez l'excédent de câble et dénudez l'extrémité à l'aide d'une paire de ciseaux.
- C. Insérez l'extrémité dénudée dans la pince droite noire.

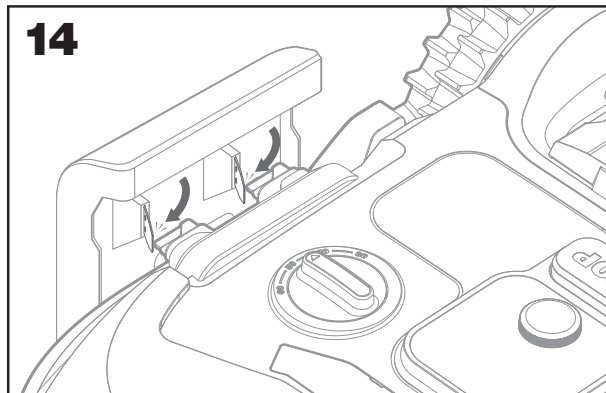
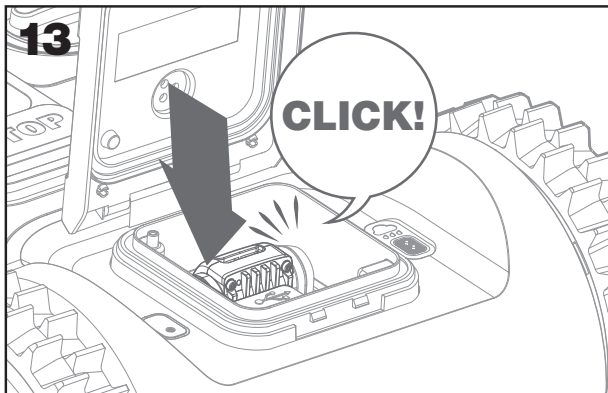
8. Étapes finales

La partie ennuyeuse est terminée ! Il ne reste plus que quelques étapes :

- A. Connectez la station de charge à la prise de courant AC (fig. 12)
- B. Si tout est correct, le témoin LED s'éclaire en vert.
- C. En cas de problème dans la boucle, par exemple un fil rompu ou des extrémités de fil n'étant pas correctement pincées, le témoin LED s'éclaire en rouge. Vérifiez que tout est correct et consultez la rubrique FAQ si le problème persiste.



- D. Ouvrez l'arrière du Landroid et insérez la batterie PowerShare dans la fente jusqu'à ce qu'elle s'enclenche (fig. 13)
- E. Placez Landroid sur la station de charge en vous assurant qu'un bon contact est établi avec la station (fig. 14). La LED clignote en vert. Lorsque la batterie est complètement chargée, la LED s'allume en vert de manière fixe.



- F. Laissez le Landroid recharger sa batterie pendant un certain temps. Pendant qu'il est en charge, vous pourriez prendre un repos bien mérité : imprégnez-vous des instructions ci-après et connectez le Landroid à votre réseau Wi-Fi.

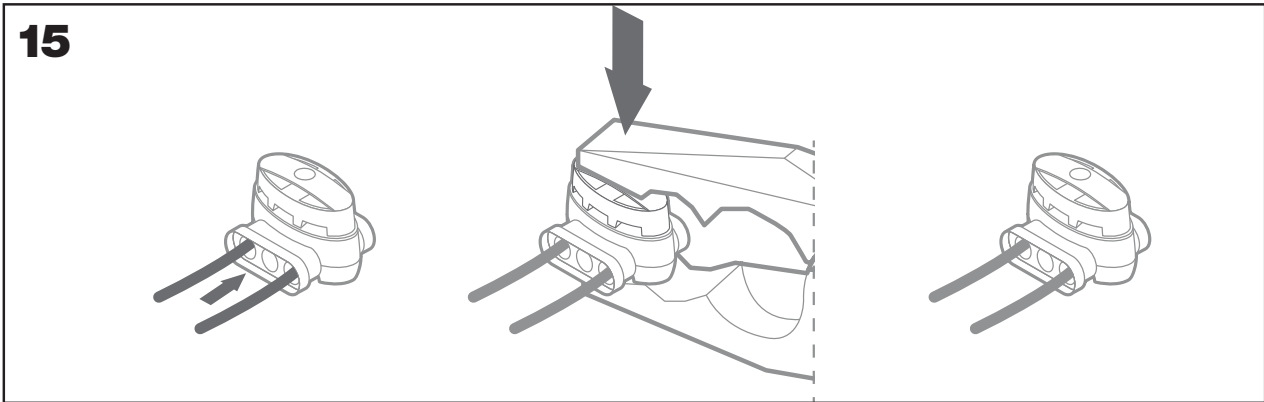
9. Raccorder le câble périphérique

Le carton du Landroid comporte deux petits connecteurs étanches de câble périphérique. Ils peuvent être utilisés pour ce qui suit :

- A. Lorsque votre gazon présente un périmètre très long et que vous avez besoin d'un câble périphérique supplémentaire pour terminer l'installation. Ne dépassez pas 300m de câble périphérique : il s'agit de la longueur maximale de périmètre couverte par le câble périphérique.
- B. Lorsque le câble périphérique est coupé par accident et que vous devez le réparer.
- C. Quand vous décidez de réaménager votre jardin et que vous devez modifier l'installation originale du câble périphérique.

Les connecteurs sont étanches et garantissent une connexion électrique optimale (fig. 15).

- A. Insérez les deux extrémités dans deux des trois trous du connecteur, pas besoin de dénuder les fils.
- B. Insérez entièrement les fils jusqu'à ce que les deux fils soient visibles de l'autre côté du connecteur.
- C. Appuyez fermement sur le connecteur en utilisant une paire de tenailles.



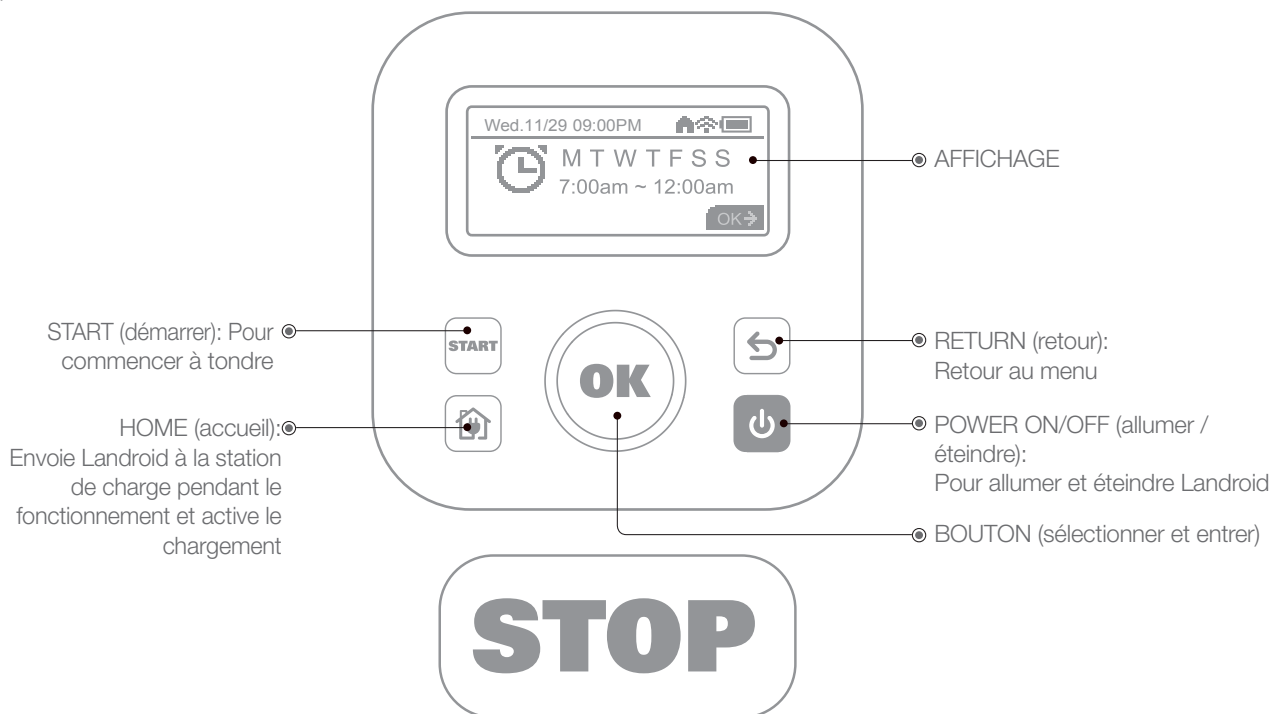
⚠ Attention: il est déconseillé de simplement raccorder le câble périphérique avec du ruban isolant ou d'utiliser un bornier à vis pour le raccordement. Une rupture de circuit peut se produire après un certain temps, car l'humidité du sol peut causer l'oxydation du fil.

ET MAINTENANT LA PARTIE EXCITANTE ! DÉMARRER LE LANDROID POUR LA PREMIÈRE FOIS.

Se familiariser avec le panneau de commande

Le panneau de commande du Landroid présente les fonctions clés dans un design minimaliste.

Pour les fonctions avancées, l'appli gratuite du Landroid offre des options supplémentaires dans une interface plus riche : votre smartphone.



Démarrer le Landroid

- Placez le Landroid à l'intérieur du câble périphérique.
- Appuyez sur le bouton **POWER ON/OFF** jusqu'à ce que l'écran s'allume. Ensuite, entrez le code PIN.
- Dans le sens des aiguilles d'une montre, faites pivoter le **OK** pour sélectionner le numéro et appuyez sur court **OK** pour confirmer un par un. L'écran affiche 'Code PIN OK'.
- Appuyez sur le bouton **START**, puis appuyez sur **OK**. Le Landroid commence à tondre.
- Vous pouvez arrêter le Landroid à tout moment en appuyant sur le bouton **STOP**.
- Pour envoyer le Landroid à la station de charge, appuyez sur le bouton **HOME**, puis sur **OK**.

Remarque : Le code PIN par défaut est 0000

PANNEAU DE COMMANDE DU LANDROID

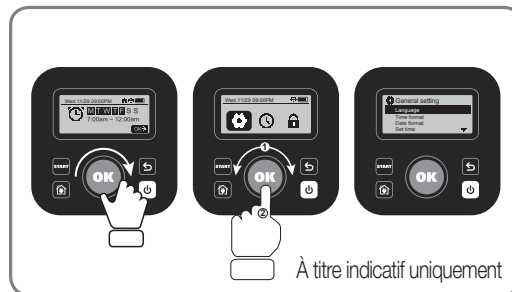
Fonctions avancées via l'interface intégrée

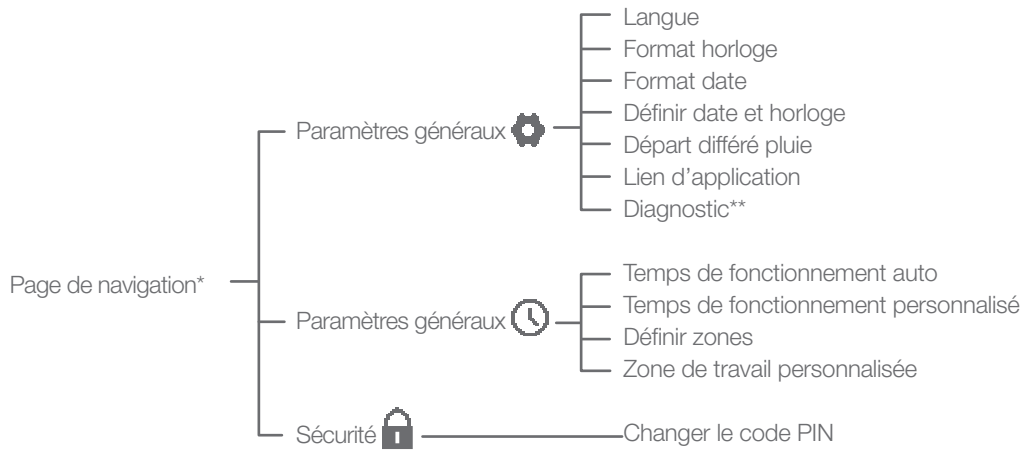
Malgré son design minimaliste, vous pouvez régler différentes fonctions avancées à travers le panneau de commande intégré.

Toutefois, pour une meilleure expérience utilisateur, nous vous recommandons d'utiliser l'appli Landroid gratuite pour le faire étant donné son interface plus riche et intuitive.

1. Réglage

- Tournez **OK** dans le sens des aiguilles d'une montre pour entrer le réglage.
- Puis tournez **OK** pour choisir «Paramètres généraux» (gear icon) / «temps de travail» (clock icon) / «sécurité» (lock icon), appuyez brièvement pour entrer.
- Utilisez la même méthode pour effectuer les actions de suivi.



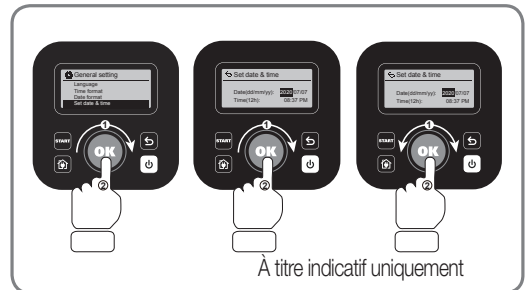


* Être continuellement mis à jour en fonction de la version du logiciel.

** Pour le service après-vente uniquement

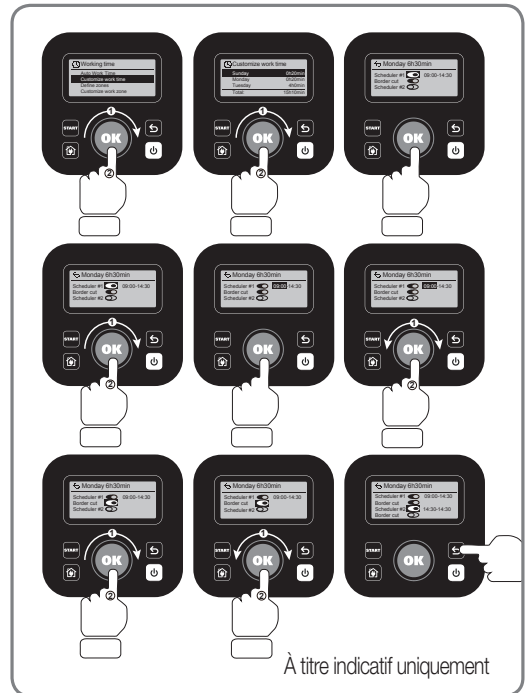
2. Régler la date et l'heure

- A. Revenir à "Paramètres généraux"
- B. Tournez **OK** dans le sens des aiguilles d'une montre pour «régler la date et l'heure» et appuyez brièvement pour entrer.
- C. Ensuite, tournez **OK** dans le sens des aiguilles d'une montre pour sélectionner «dd» et appuyez brièvement. Le numéro sélectionné clignote.
- D. Ensuite, tournez le **OK** pour sélectionner le numéro et appuyez brièvement pour confirmer. Utilisez la même méthode pour compléter «mm / aa / heure».



3. Personnalisez les temps de travail

- A. Retour au «temps de travail»
- B. Tournez **OK** dans le sens des aiguilles d'une montre pour «Personnaliser le temps de travail» et appuyez brièvement pour entrer.
- C. Tournez **OK** dans le sens des aiguilles d'une montre pour sélectionner le jour de la semaine et appuyez brièvement .
- D. Ensuite, appuyez sur **OK** pour entrer dans le réglage.
- E. Tournez dans le sens des aiguilles d'une montre pour activer «Schedule # 1 *». Appuyez brièvement sur pour confirmer.
- F. Ensuite, tournez **OK** dans le sens des aiguilles d'une montre pour sélectionner l'heure de début «heure / minute» et appuyez brièvement pour entrer dans le réglage. Le numéro sélectionné clignote.
- G. Tournez le **OK** pour sélectionner l'heure de début à laquelle vous voulez que votre LANDROID tond un jour particulier et appuyez brièvement pour confirmer. Utilisez la même méthode pour terminer l'heure d'arrêt.
- H. Après cela, tournez **OK** dans le sens des aiguilles d'une montre et appuyez brièvement pour entrer le paramètre de «coupe de bordure».
- I. Tournez **OK** pour choisir d'activer ou non la «découpe de bordure» et appuyez brièvement pour confirmer.
- J. Si vous souhaitez régler «Schedule # 2 *», utilisez la même méthode ci-dessus.
- K. Appuyez sur **S** et utilisez la même méthode pour définir d'autres heures de travail en semaine.



* Deux horaires peuvent être définis en une journée.

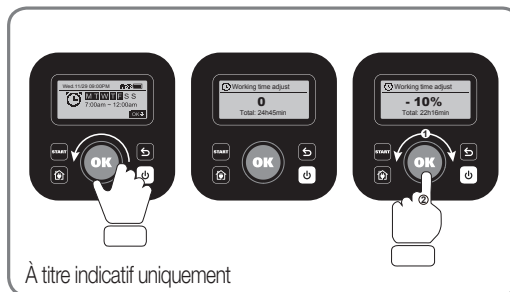
4. Temps de travail ajuster

Vous pouvez ajuster rapidement le temps de travail de la semaine. The increment / decrement of time will be evenly allocated to required working days

- A. Revenir à l'interface principale.
- B. Tournez **OK** dans le sens antihoraire pour activer le réglage du temps de travail.

REMARQUE : Le temps total est basé sur le temps de travail personnalisé et peut être ajusté par gradient de 10%.

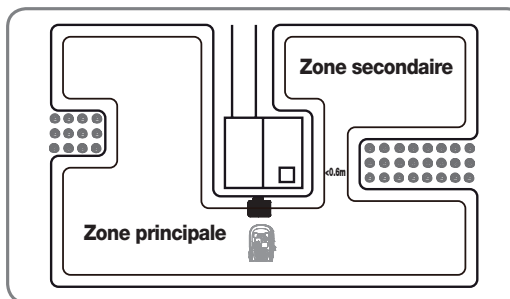
- C. Puis tournez **OK** pour régler et appuyez brièvement pour confirmer.



5. Réglage de coupe unique

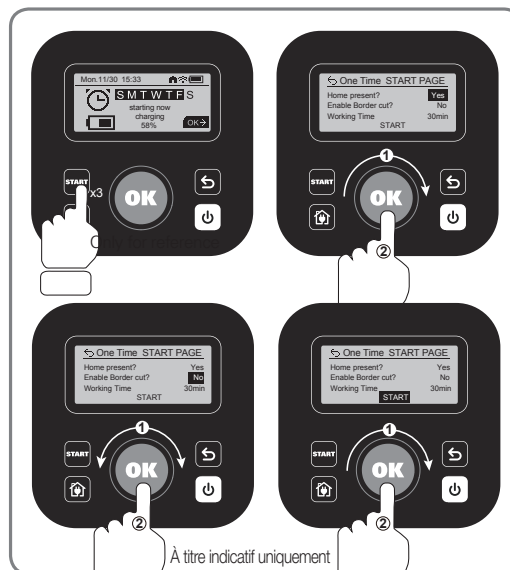
Si votre pelouse a plusieurs zones reliées les unes aux autres par un couloir, elle doit mesurer au moins 0,6 m de large. Si le couloir est plus étroit que 0,6 m, le Landroid aura du mal à se déplacer entre les deux. Dans ce cas, il est recommandé de mettre en place une zone principale et une zone secondaire dans votre pelouse. Le câble périphérique doit être placé comme illustré sur l'image.

Pour une configuration de travail flexible (si vous devez retourner à la station de charge et effectuer une coupe de bordure), en particulier lorsque le Landroid est dans une zone secondaire où il n'y a pas de station de charge, un réglage de coupe unique est nécessaire.



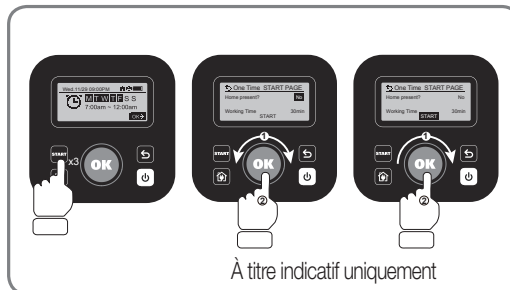
- Placez le Landroid à l'intérieur du câble périphérique.
- Lorsque votre Landroid est connecté à la base de chargement.
- A. Revenir à l'interface principale.
- B. Appuyer sur **START** trois fois rapidement.
- C. Tournez **OK** dans le sens des aiguilles d'une montre pour sélectionner «actuellement à domicile ? -OUI / NON» (si la station de charge est dans la zone ou non) et appuyez brièvement pour entrer dans le réglage. Le mot sélectionné clignote et appuyez brièvement pour confirmer.
- D. Ensuite, tournez **OK** pour sélectionner «ACTIVER la coupe de bordure-Oui / non» (si vous souhaitez couper la bordure ou non) et appuyez brièvement. Le mot sélectionné clignote et appuyez brièvement pour confirmer. Ensuite, utilisez la même méthode pour compléter le «temps de travail».
- E. Et puis tournez **OK** dans le sens des aiguilles d'une montre pour sélectionner «Démarrer» et appuyez brièvement pour commencer à tondre

Remarque: Le Landroid retournera à la station de charge pour se recharger lorsque la batterie sera épuisée ou que le temps de coupe est écoulé. Si le Landroid est complètement chargé et que le temps défini n'est pas écoulé, Landroid continuera à tondre jusqu'à ce que celui-ci soit écoulé.



- Lorsque votre Landroid est déconnecté de la station de charge,
- A. Revenir à l'interface principale.
- B. Appuyez sur **START** trois fois rapidement.
- C. Tournez **OK** pour sélectionner «actuellement à domicile ? -OUI / NON» (si la station de charge est dans la zone ou non) et appuyez brièvement pour entrer dans le réglage. Le mot sélectionné clignote et appuyez brièvement pour confirmer. Utilisez la même méthode pour compléter le «temps de travail».
- D. Et puis tournez **OK** dans le sens des aiguilles d'une montre pour sélectionner «Démarrer» et appuyez brièvement pour commencer à tondre

Remarque: lorsque votre Landroid est dans la zone principale (l'endroit où se trouve normalement la station de charge), il retournera à la station de charge pour se charger lorsque la batterie sera épuisée ou que le temps de coupe est écoulé. Si le Landroid est complètement chargé et le temps réglé n'est pas terminé, le Landroid continuera à tondre jusqu'à ce que le temps soit écoulé. Lorsque votre Landroid est dans la zone secondaire, il arrêtera de tondre et restera à l'endroit lorsque la batterie sera épuisée, le temps de coupe est écoulé, Landroid rencontre des problèmes (par exemple, un crash, etc.) ou on appuie manuellement sur le bouton «STOP».



CONNECTER LE LANDROID À INTERNET

Pourquoi connecter le Landroid

Votre Landroid peut être connecté par Wi-Fi ou Bluetooth.

Le Landroid est un dispositif IoT (Internet of Things). Pour garantir la pleine fonctionnalité de votre Landroid et le tenir à jour au moyen du logiciel le plus réent, il doit être connecté à internet via votre réseau Wi-Fi.

AVANT DE COMMENCER

1. Télécharger l'appli

Téléchargez d'abord l'appli gratuite Landroid. Elle est disponible sur les app stores Android ou Apple

2. Assurez-vous que vous avez :

- A. Votre mot de passe de réseau Wi-Fi /Fonction Bluetooth sur votre smartphone
- B. Numéro de série Landroid: il se trouve sur l'étiquette située sous le capot arrière de la machine.

Si vous ne souhaitez pas saisir le numéro de série à 20 chiffres, vous pouvez l'entrer en scannant le code QR avec l'appareil photo de votre smartphone.

3. Vérifiez vos paramètres

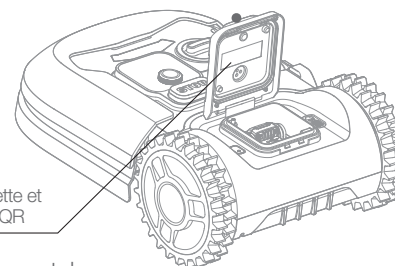
Connexion Wifi

- A. Le Landroid fonctionne avec un signal Wi-Fi de 2,4 GHz
- B. Assurez-vous que votre Landroid se trouve sur le même environnement de routeur que votre smartphone
- C. Assurez-vous que la distance entre votre Landroid, votre smartphone et votre routeur est la plus proche possible pendant la connexion

Astuce : lorsque le Landroid se déplace vers une zone de votre pelouse avec un signal Wi-Fi faible ou inexistant, les instructions envoyées depuis l'appli ne seront exécutées lorsque le Landroid reviendra dans une zone ayant un bon signal.

Connexion Bluetooth

- A. La fonction Bluetooth de votre smartphone est activée.
- B. Assurez-vous que votre Landroid se trouve dans la portée.

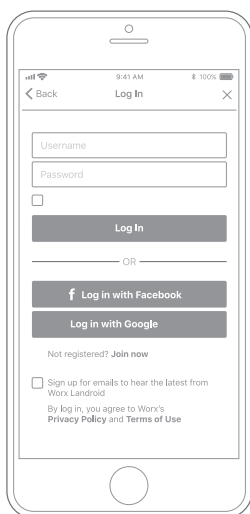


Étiquette et code QR

COMMENT CONNECTER LE LANDROID À INTERNET

Lancez l'appli et respectez les instructions ci-après.

1. Enregistrez votre compte



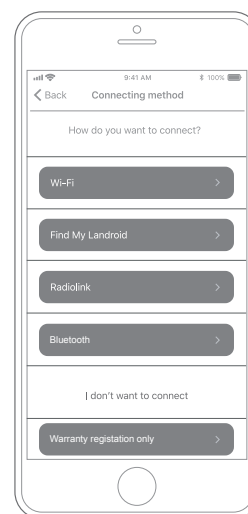
Enregistrez votre compte en saisissant votre pseudonyme et votre mot de passe ou en vous connectant via Facebook ou Google.

2. Entrez le numéro de série du Landroid



Enregistrez votre Landroid en entrant manuellement le numéro de série ou en scannant le code QR.

3. Choisissez votre connexion



Sélectionnez votre réseau Wi-Fi ou Bluetooth, ou vous pouvez connecter Landroid via Localiser mon Landroid ou Options RadioLink

Si votre Wi-Fi ne couvre pas l'intégralité de la pelouse, vous pourriez envisager d'acheter l'option Landroid RadioLink qui étend la couverture du signal à un rayon de 300m.

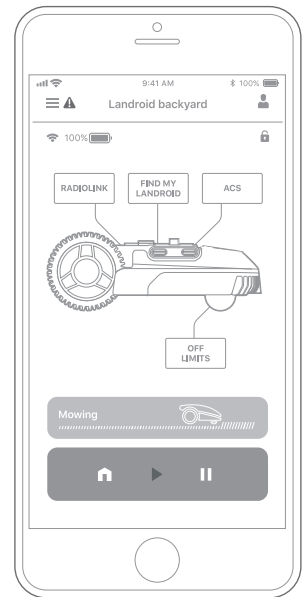
En guise d'alternative, vous pouvez acheter l'option Find My Landroid qui, en plus de connecter le Landroid à internet via sa carte SIM intégrée, vous permet également de le tracer si par malheur il était dérobé.

LANDROID APP BIEN PLUS QU'UNE SIMPLE TÉLÉCOMMANDE

Ne la considérez pas comme une télécommande. Cette appli fait partie intégrante de l'écosystème avancé Landroid basé sur le cloud computing et l'intelligence artificielle.

Grâce à la fonction de réalité augmentée de l'appli, vous pouvez calculer la superficie exacte de votre pelouse. C'est aussi simple que de marcher le long de sa bordure.

Une multitude de facteurs influencent le taux de croissance de votre gazon. Landroid les combine tous pour déterminer le meilleur traitement pour votre pelouse. Jour après jour



⚠ AVVERTENZA: È assolutamente necessario leggere attentamente tutte le istruzioni. Eventuali errori nell'adempimento delle istruzioni qui di seguito riportate potranno causare scosse elettriche, incendi e/o lesioni gravi. È assolutamente necessario leggere attentamente tutte le istruzioni. Eventuali errori nell'adempimento delle istruzioni qui di seguito riportate potranno causare scosse elettriche, incendi e/o lesioni gravi.

COME FUNZIONA

In questo capitolo vorremmo aiutarti a capire meglio come funziona Landroid.

Landroid è una macchina autonoma, in grado di funzionare da sola. Sa quando deve tornare alla sua base di ricarica, capisce quando piove, sa fermarsi da solo e smette di lavorare se percepisce un problema, fa retromarcia e si gira quando urta qualcosa che blocca il suo percorso. Inoltre, per evitare incidenti, Landroid blocca automaticamente la rotazione delle lame qualora venga sollevato da terra.

Ricarica automatica



Quando Landroid deve ricaricarsi, smette di tagliare l'erba e segue il filo perimetrale in senso antiorario fino alla base di ricarica. Una volta completata la carica, Landroid riprende automaticamente la rasatura o rimane alla base di ricarica, in base al suo programma di lavoro.

Gestione dei bordi



Landroid è programmato per falciare l'erba lungo il perimetro del prato due volte a settimana il lunedì e il venerdì. Se si desidera modificare questa impostazione, è possibile farlo tramite lo smartphone o utilizzando il pannello di controllo nei menu "Orario di lavoro - Personalizza orario di lavoro". Vedi le istruzioni dettagliate alla fine di questo manuale.

Sensore pioggia



Landroid è resistente alle intemperie al 100% ed è felice di stare all'aperto. Ma tagliare l'erba bagnata non è l'ideale per ottenere una finitura perfetta del prato. Per questo motivo Landroid è dotato di un sensore che rileva la pioggia e dice a Landroid di smettere di lavorare e tornare alla sua base di ricarica.

Ritardo pioggia



Dopo una pioggia, Landroid riprende il lavoro quando l'erba non è più bagnata. Il lasso di tempo che intercorre tra la fine della pioggia e la ripresa del lavoro (ritardo pioggia) è pre-impostato su 180 minuti. È possibile modificare l'impostazione del tempo di ritardo pioggia tramite l'app Landroid.

In condizioni estreme

//////////

In caso di fulmini, scollega la base di ricarica e il cavo perimetrale, e assicurati che Landroid non possa andare a ricaricarsi. In inverno, e soprattutto in caso di clima molto freddo e di neve, ti consigliamo di conservare il tuo Landroid al chiuso. In alcuni paesi offriamo un servizio di manutenzione invernale in modo che il tuo Landroid sia pronto per la nuova stagione primaverile. Contatta il rivenditore o controlla online per ulteriori dettagli.

Niente più sfalci da raccogliere

//////////

Lo sfalcio di Landroid è così piccolo che non ha bisogno di essere rastrellato, ed è un perfetto nutriente organico per il tuo prato. Un taglio frequente aumenta la densità dei fili d'erba e impedisce efficacemente la propagazione delle erbe infestanti.

Taglio del bordo

//////////

La speciale lama disassata arriva il più vicino possibile al bordo del tuo prato lasciando solo un piccolo o nessun ritocco da fare.

Altezza di taglio

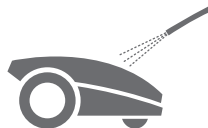
//////////

Assicurati che l'erba non superi i 10cm prima di avviare Landroid per la prima volta. Se è più alta, utilizza prima un tosaerba tradizionale per accorciarla. Se vuoi avere il prato regolato sull'altezza minima, ti consigliamo di farlo riducendo l'altezza di taglio progressivamente.

Sicurezza e protezione con codice PIN

//////////

Per impedire a persone non autorizzate di poterlo utilizzare, Landroid è protetto da un codice PIN facile da impostare.

Facile da pulire

//////////

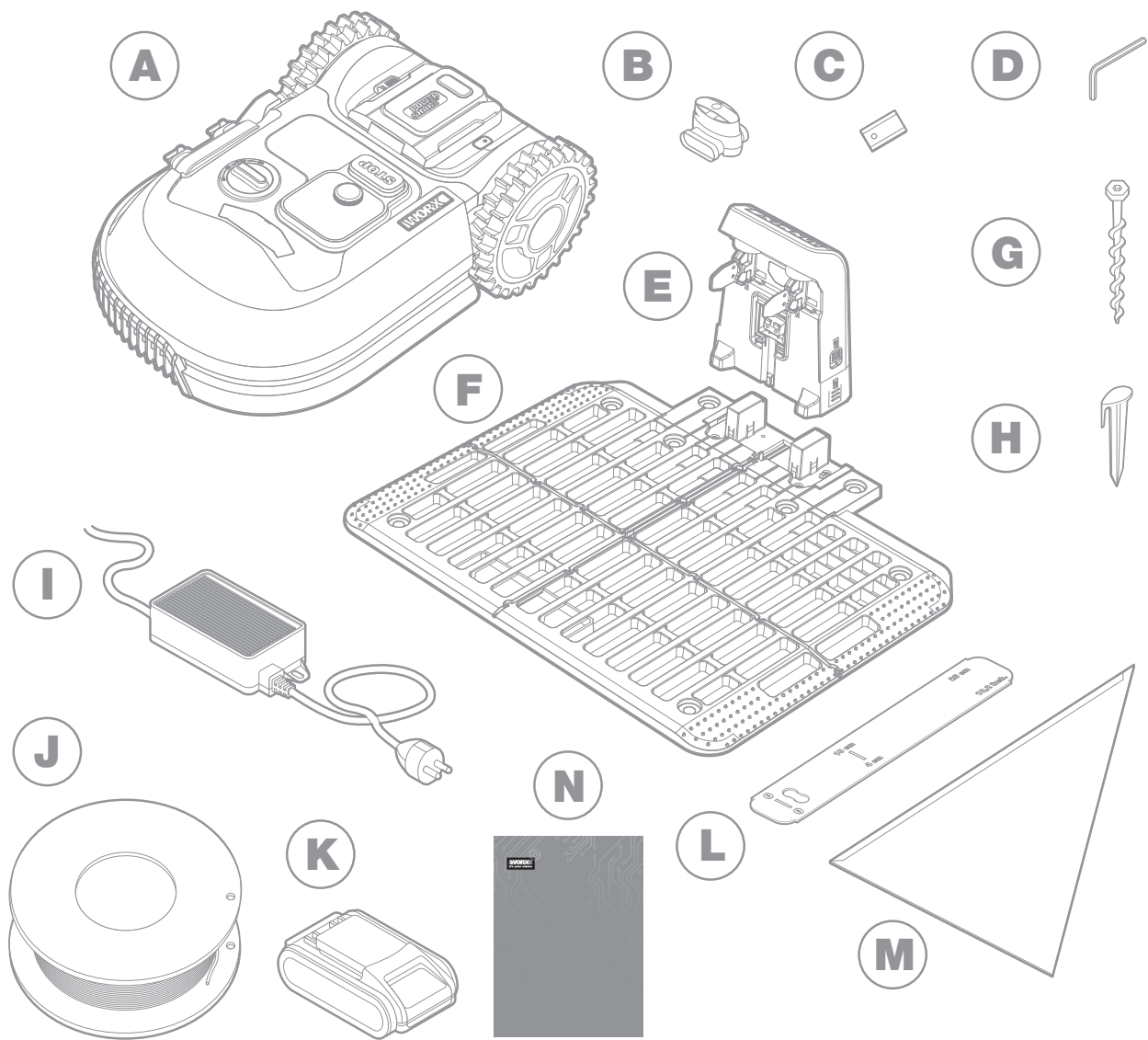
Grazie alla sua funzione impermeabile IPX5, Landroid si sbarazza della polvere, del manto erboso e dell'ambiente ostile incontrati durante il lavoro. Migliora l'aspetto e le prestazioni di Landroid.

Tracker a terra

//////////

Con il nuovo design del sollevamento automatico, le sue lame possono essere sollevate automaticamente per fornire una maggiore distanza. Ciò aiuta Landroid a evitare determinate situazioni che potrebbero bloccare altri tosaerba.

NELLA CONFEZIONE



L'immagine è a scopo esemplificativo

- A** Worx Landroid

- B** Connettori per filo perimetrale

- C** Set di lame di ricambio

- D** Chiave esagonale

- E** Carica batteria

- F** Base di ricarica

- G** Viti

- H** Picchetti

- I** Trasformatore

- J** Filo perimetrale

- K** Batteria 20V

- L** Dime per distanziamento del filo perimetrale

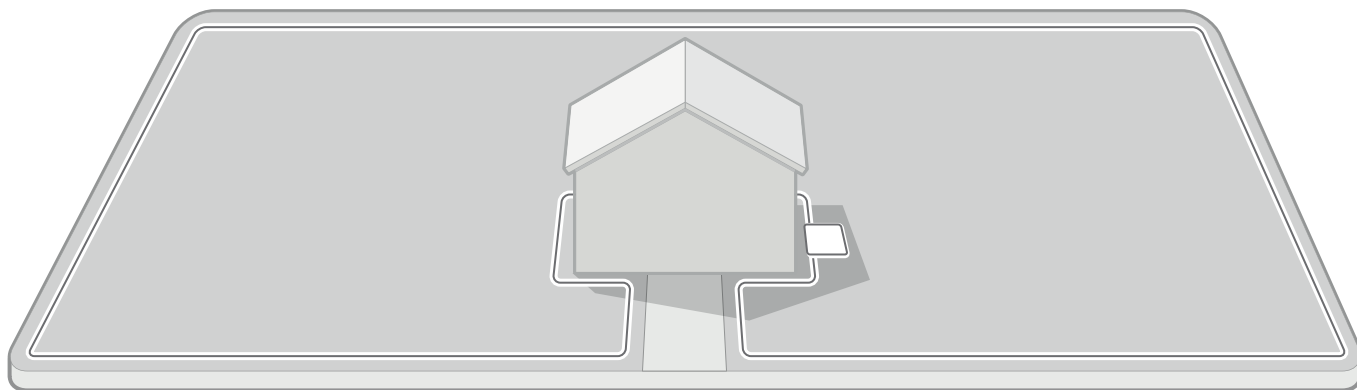
- M** Squadretta di Bertelsen

- N** Manuali

INSTALLAZIONE

Installare Landroid è più facile se segui attentamente le istruzioni. Essenzialmente si tratta di installare la base di ricarica e di stendere il filo perimetrale attorno al tuo prato. Oltre a questo manuale, puoi consultare la Get Started che si trova all'interno dell'imballaggio e guardare i video tutorial sul nostro canale YouTube*.

*Queste informazioni sono fornite per comodità dell'utente, ma non sostituiscono in alcun modo il manuale di istruzioni e le istruzioni di sicurezza che devono essere lette e comprese.



Perlustra il tuo
prato per
pianificare
l'installazione

Installa
la base di
ricarica

Stendi
il filo
perimetrale

Connetti la
base di ricarica
station to AC
per la corrente

Accendi
Landroid.
Testalo e
fallo partire

OGNI MINUTO SPESO A PIANIFICARE TI FA RISPARMIARE 10 MINUTI DI LAVORO

Installare Landroid è ancora più semplice se ti sei fatto un'idea chiara di che cosa devi fare. Una corretta pianificazione ti aiuterà anche a evitare errori o a dover rielaborare l'installazione una volta completata.

1. In superficie o interrato?

Il filo perimetrale di Landroid è studiato per rimanere sulla superficie del tuo prato. Quasi invisibile dal primo giorno, verrà inglobato dal terreno in poche settimane. Se vuoi interrare il filo, ti consigliamo per prima cosa di collegarlo alla base e di accertarti che l'installazione sia avvenuta correttamente testando Landroid. In questo modo puoi fare una verifica generale e, se necessario, modificare il tracciato prima di interrare il filo. Interra il filo non più di 3-5cm, in modo che il filo assicuri un buon segnale.

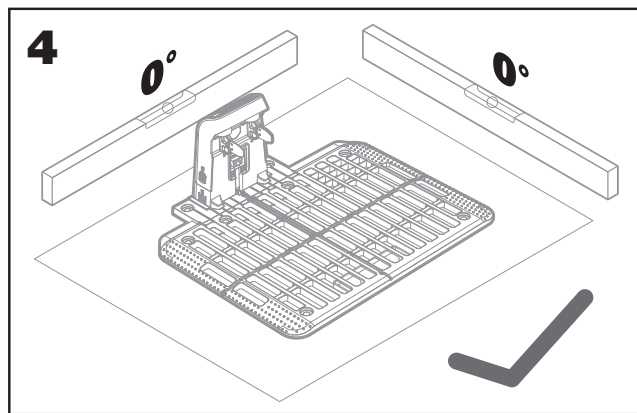
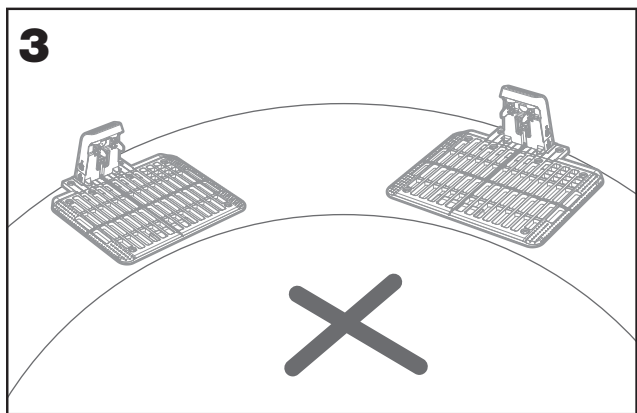
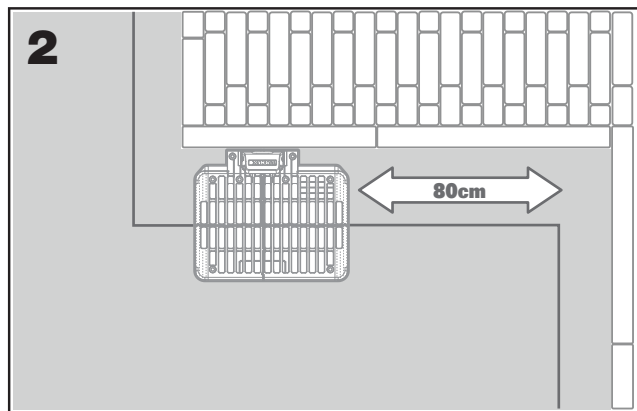
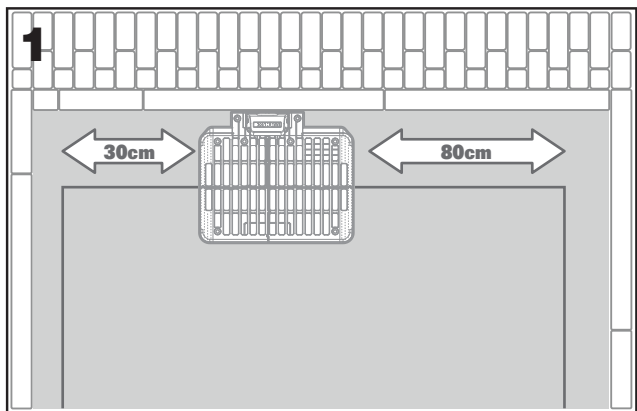
2. Decidere la posizione della base di ricarica

La base di ricarica, costituito da una pila di carico e una base di carico, è dove Landroid va a ricaricare la batteria. È anche il luogo dove riposa tra una sessione di taglio e l'altra. Individua una posizione corretta, tenendo presente che:

- A. Ha bisogno di essere alimentata, quindi non deve distare a più di 10m da una presa per la corrente.
- B. Batteria e caricabatterie non gradiscono il surriscaldamento e quindi, se possibile, è consigliabile scegliere una postazione ombreggiata.
- C. La base deve poggiare su un terreno perfettamente pianeggiante per garantire un contatto efficace tra Landroid e la base per la ricarica.
- D. Vanno evitati luoghi vicino agli impianti di irrigazione.

È possibile posizionare base di ricarica sul prato o su una superficie dura come una passerella, a condizione che il prato e la superficie dura siano alla stessa altezza (senza gradini) e non presentino zone di cedimento..

Landroid necessita di almeno 80cm di percorso perfettamente dritto per entrare in base. In uscita necessita di almeno 30cm di percorso prima di una svolta a sinistra (figura 1); se la svolta è a destra, non è necessario alcun percorso rettilineo (figura 2).

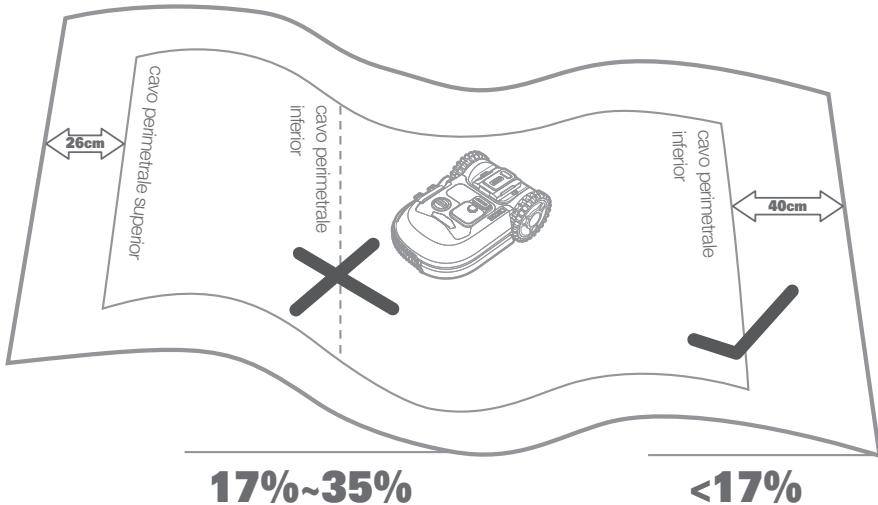


3. Controllo finale per la base di ricarica::

- A. vicino ad una presa per la corrente
- B. in un'area ombreggiata
- C. percorso dritto in entrata; percorso dritto in uscita se necessario
- D. superficie pianeggiante
- E. nessun impianto di irrigazione nelle vicinanze

4. Posizionamento del cavo perimetrale in pendenza

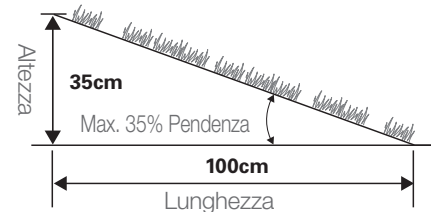
Il cavo perimetrale superiore NON deve essere posizionato su pendenze più ripide del 35% (20°)*. Il cavo perimetrale inferiore NON deve essere posizionato su pendenze più ripide del 17% (10°) e deve essere posizionato ad almeno 40 cm di distanza da qualsiasi ostacolo se posizionato su una pendenza del 17%.



***Come calcolare la pendenza del prato**

Perciò la pendenza sarebbe:

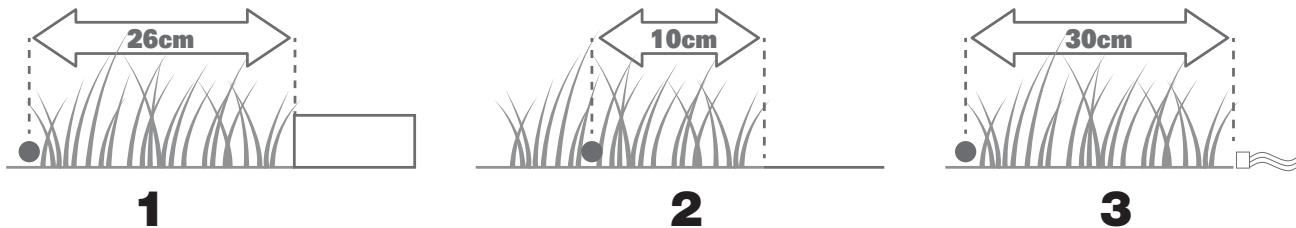
$$\frac{35\text{cm (Altezza)}}{100\text{cm (Lunghezza)}} = 35\% \text{ (Pendenza)}$$



5. Pianificazione per il filo perimetrale

Il filo dev'essere posizionato ad una certa distanza dal bordo del prato. Questa distanza cambia a seconda di cosa c'è dall'altra parte del bordo. Posiziona il filo a seconda di queste diverse situazioni:

- A. Se il bordo del prato combacia con un gradino, posiziona il filo a 26cm dal bordo. (figura 1)
- B. Se il bordo del prato combacia con un piano posto alla stessa altezza, posiziona il filo a 10cm dal bordo. (figura 2)
- C. Se il bordo del prato confina con una piscina: mantenere il cavo ad almeno 30 cm dal bordo. (figura 3)



Se un lato del prato confina con il prato di un vicino nel quale viene utilizzato un tosaerba robotizzato, posizionare il filo ad almeno 1 m di distanza dal filo del vicino per evitare interferenze.

PERLUSTRA IL TUO PRATO

Landroid è progettato per gestire i prati più complessi. Eseguire un'ispezione preventiva del prato è il modo migliore per portare a termine un'installazione del filo perimetrale senza problemi.

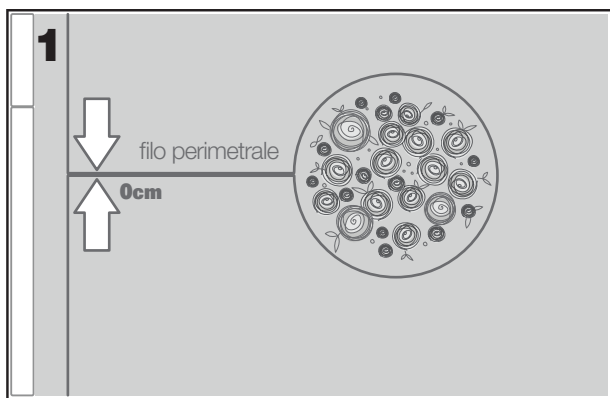
1. Individua le aree interdette

Nessuno vuole che il tosaerba robotizzato tagli fiori, si immerga nell'acqua o distrugga le radici degli alberi che emergono dal terreno. Individua queste aree e circondale con il filo perimetrale per impedire a Landroid di accedervi.

Il filo perimetrale è un unico tracciato collegato alla stazione di ricarica con entrambe le estremità, quindi dovrai deviare con il filo dal bordo, circondare l'area che vuoi proteggere, e infine ricongiungere il filo al bordo come illustrato qui in fig. 1.

Se le aree da circondare sono lontane dal bordo del prato, o se hai diverse aree da proteggere, questo metodo tradizionale richiede molto tempo.

Un'ottima alternativa è acquistare il modulo Off-Limits per Landroid. Questo accessorio ti consente di circondare l'area interessata con una fettuccia magnetica che non ha bisogno di essere collegata al circuito perimetrale (fig. 2). Off-Limits è inoltre ideale per proteggere le attrezzature stagionali - ad esempio un tappeto elastico - o per effettuare modifiche permanenti all'interno del prato senza dover modificare il filo perimetrale.



2. Individua gli ostacoli

Il sensore d'urto di Landroid può gestire ostacoli solidi come alberi, mobili e simili, che non devono essere circondati dal filo perimetrale. Se il tuo prato ha invece diversi ostacoli e alberi vicini tra loro, ti consigliamo di acquistare il modulo per Landroid ACS, un pilota automatico intelligente ad ultrasuoni che fa girare Landroid attorno agli ostacoli anziché rimbalzarci contro.

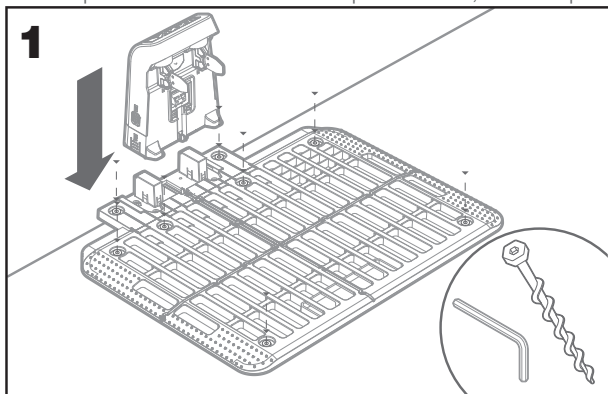
RIMBOCCATI LE MANICHE. QUANDO È FATTA, È FATTA!

Ora che hai pianificato l'installazione in ogni dettaglio, sei pronto a cominciare. Prima di iniziare, ti consigliamo di utilizzare il vecchio rasaerba per l'ultima volta per dare ripulita al prato e semplificare l'installazione.

1. Installa la base di ricarica nella posizione prescelta

A. Inserisci la pila di ricarica nella base di ricarica. Quindi utilizzare la chiave esagonale in dotazione per fissare la stazione di ricarica a terra con le viti in dotazione (Figura. 1)

B. Se si posiziona la base su una superficie dura, ad esempio cemento, fissarla con dei tasselli e relativi fissaggi a vite (non in dotazione)

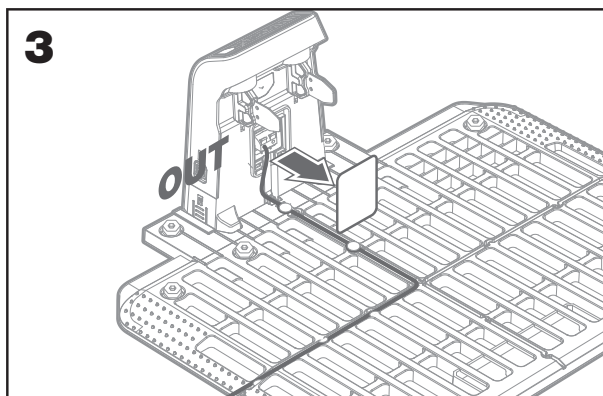
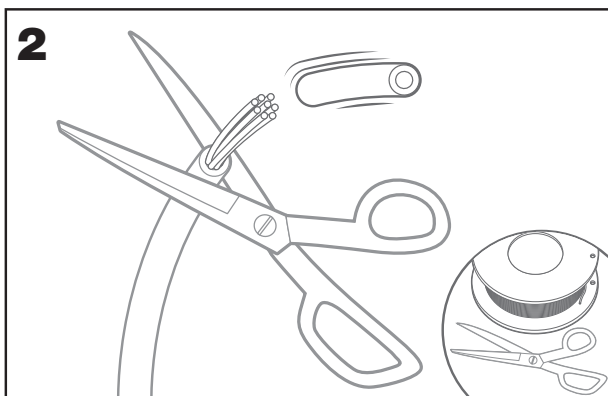


2. Collega un'estremità del filo perimetrale alla base di ricarica

A. Spella la cima del filo con un paio di forbici (fig. 2)

B. Apri lo sportellino di plastica e inserisci l'estremità spellata del filo nel morsetto rosso a sinistra (fig. 3)

C. Fai passare il filo attraverso la guida della base, come mostrato in fig. 3



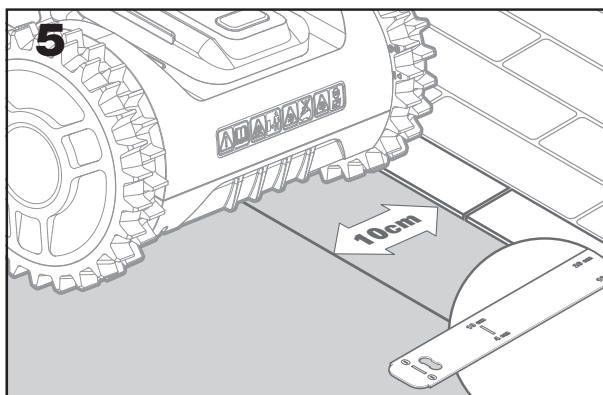
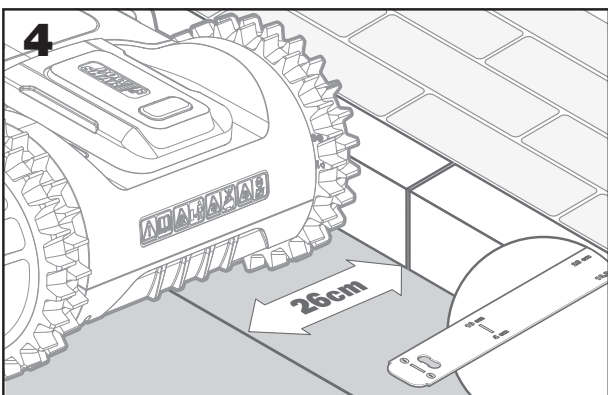
3. Posiziona il cavo perimetrale attorno al tuo prato

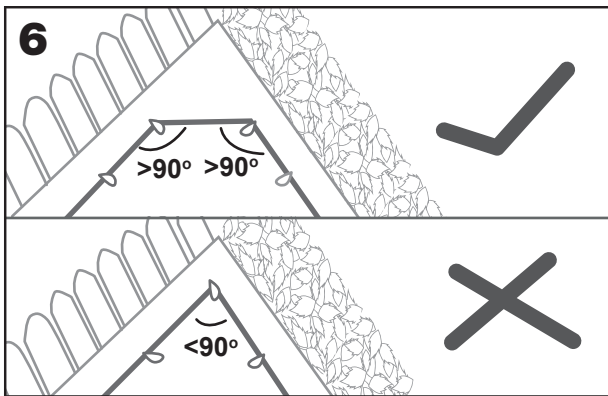
A. Utilizza la dima in dotazione per stabilire la distanza del filo dal bordo

B. Se c'è un gradino sul bordo del prato, posiziona il filo a 26cm dal bordo (fig. 4)

C. Se non ci sono gradini, posiziona il filo a 10cm dal bordo (fig. 5)

D. Assicurarsi che la linea di confine sia completamente dritta in ogni angolo e che l'angolo della linea di confine sia maggiore di 90 °.

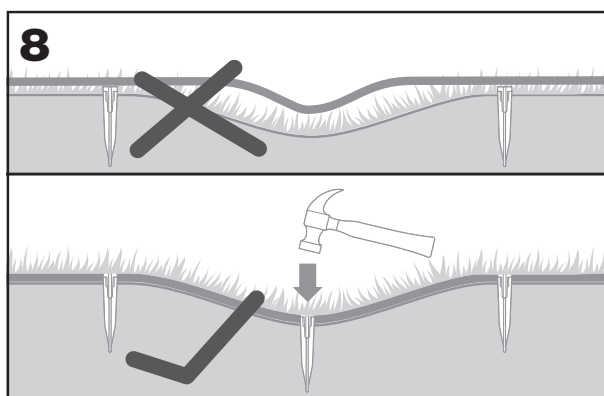
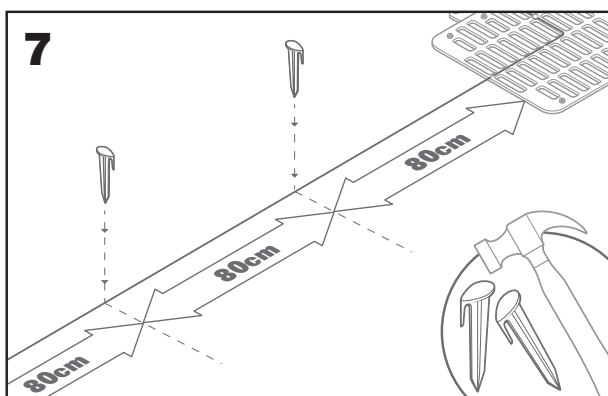




4. Assicura il filo al terreno con i picchetti

A. Posiziona i picchetti ad una distanza approssimativa di 80cm l'uno dall'altro (fig. 7)

B. Assicurati che il filo sia sempre a stretto contatto con il terreno (fig. 8)



5. Crea delle isole perimetrali, se necessario

A. Proteggi le aiuole, gli stagni, le radici degli alberi e altre aree circondandole con il filo perimetrale

B. Devia dal bordo compiendo un angolo retto e raggiungi l'area da proteggere

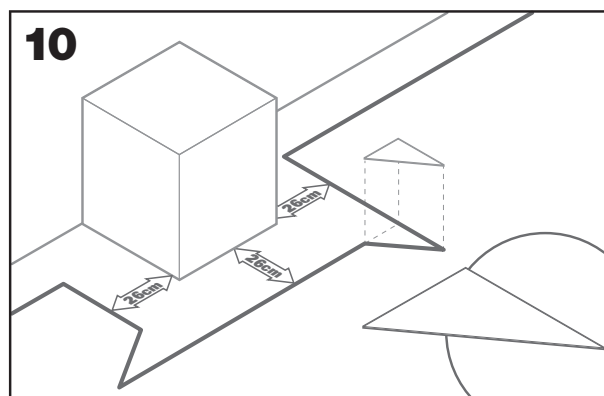
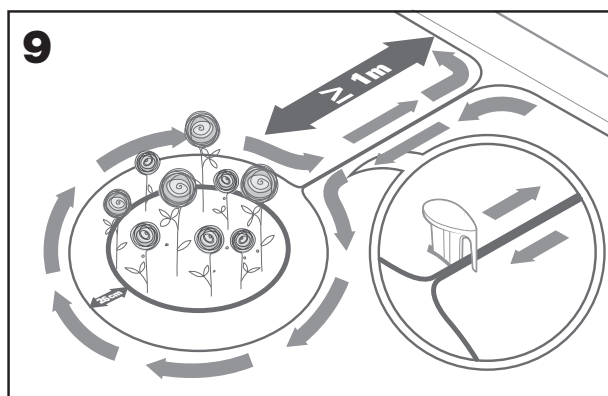
C. Circonda completamente l'area interessata con il filo perimetrale, tenendo 26cm di distanza dall'oggetto che vuoi proteggere

D. Posa il filo sempre in senso orario. Se lo posi in senso antiorario, il rasaerba entrerà nell'isola

E. Ritorna al bordo seguendo lo stesso percorso dell'andata

6. Il metodo Bertelsen: come creare angoli a 90° perfetti

Se nel tuo giardino ci sono angoli a 90° che guardano verso l'interno del prato, usa la squadretta di Bertelsen e aiuta Landroid a compiere angoli a 90° perfetti (inoltre elimini il rischio che Landroid colpisca un ostacolo sul bordo del prato mentre fa questa manovra).



7. Chiudi il tracciato

Una volta completata la posa del filo perimetrale attorno al prato, si ritorna alla base di ricarica.

A. Passa il filo attraverso la guida nella base, fino al morsetto (fig.11)

B. Taglia il filo eccedente e spellala l'estremità con un paio di forbici

C. Inserisci l'estremità spellata del filo nel morsetto nero a destra

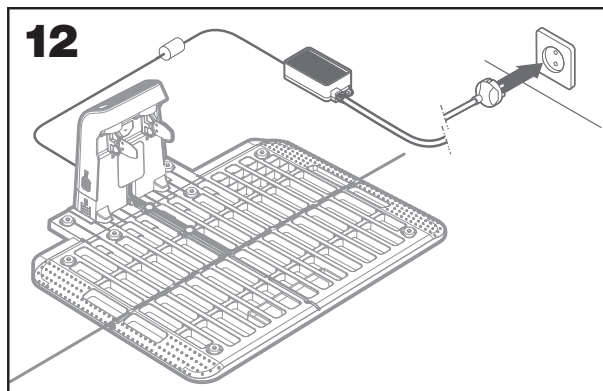
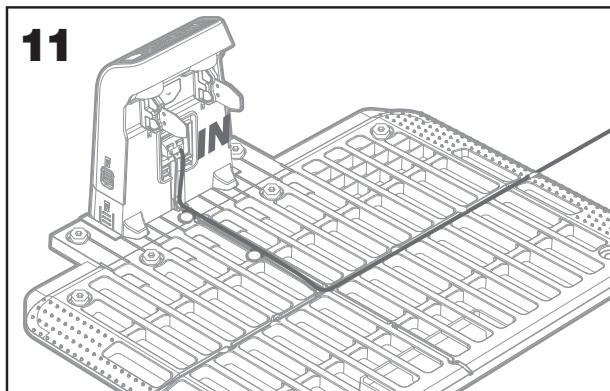
8. Passaggi finali

La parte noiosa è terminata! Rimangono solo alcuni passaggi da completare:

A. Collega la base di ricarica alla presa di corrente (fig. 12)

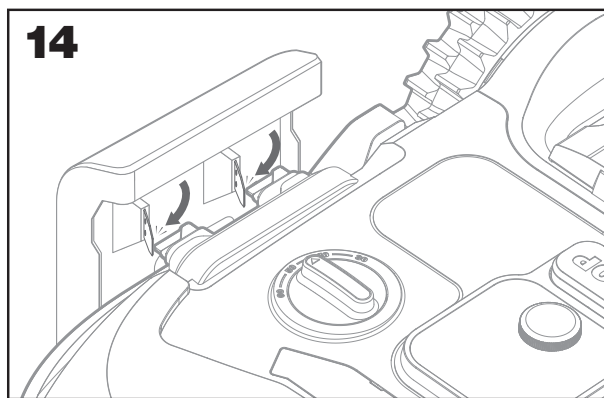
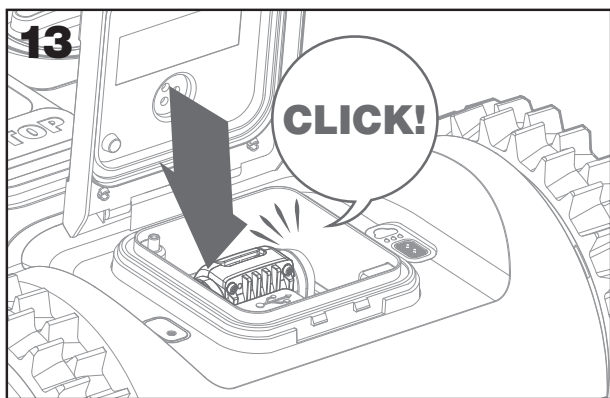
B. Se è tutto a posto, il LED sulla base diventerà verde

C. Se c'è un problema nel tracciato, come il filo rotto o non inserito perfettamente nel morsetto, il LED diventa rosso. Controlla che sia tutto a posto ed eventualmente guarda la sezione delle FAQ se il problema persiste.



D. Apri lo sportello posteriore di Landroid e inserisci la batteria assicurandoti di sentire il click di avvenuto inserimento (fig.13)

E. Mettere Landroid in carica assicurandosi che sia correttamente collegato alla base (fig. 14). Il LED lampeggerà in verde; quando la batteria è completamente carica, il LED diventerà verde fisso.



F. Lascia che Landroid carichi la batteria per un po'. Mentre è in carica, potresti voler fare una pausa meritata: è il momento migliore per leggere le ultime istruzioni e collegare Landroid alla tua rete Wi-Fi.

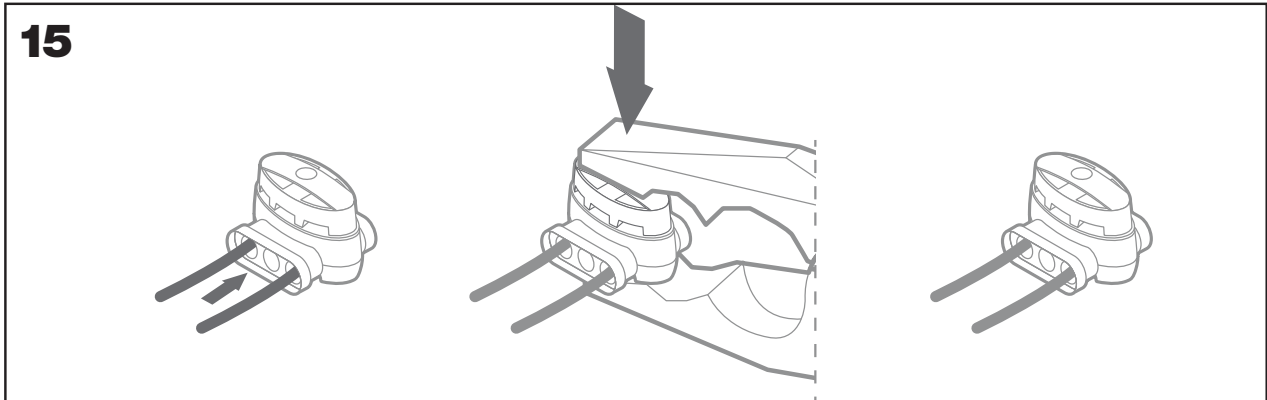
9. Connettori per il filo perimetrale

Landroid ha in dotazione due piccoli connettori impermeabili per il filo perimetrale. Sono utili nei casi seguenti:

- A. Quando il tuo prato ha un perimetro molto lungo e hai bisogno di filo aggiuntivo per completare l'installazione.
Attenzione: il filo perimetrale non deve superare i 300m di lunghezza.
- B. Quando il filo perimetrale viene tagliato accidentalmente, e devi aggiustarlo
- C. Quando decidi di rielaborare il tuo giardino e devi modificare la posa originale del filo perimetrale

I connettori sono impermeabili e forniscono una connessione elettrica ottimale.(fig.15)

- A. Inserisci un'estremità di ciascun filo in due dei tre buchi del connettore. Non c'è bisogno di spellare le estremità dei fili
- B. Inserisci il filo fino a quando entrambe le estremità sono visibili sull'altro lato del connettore
- C. Premere saldamente il connettore usando un paio di pinze



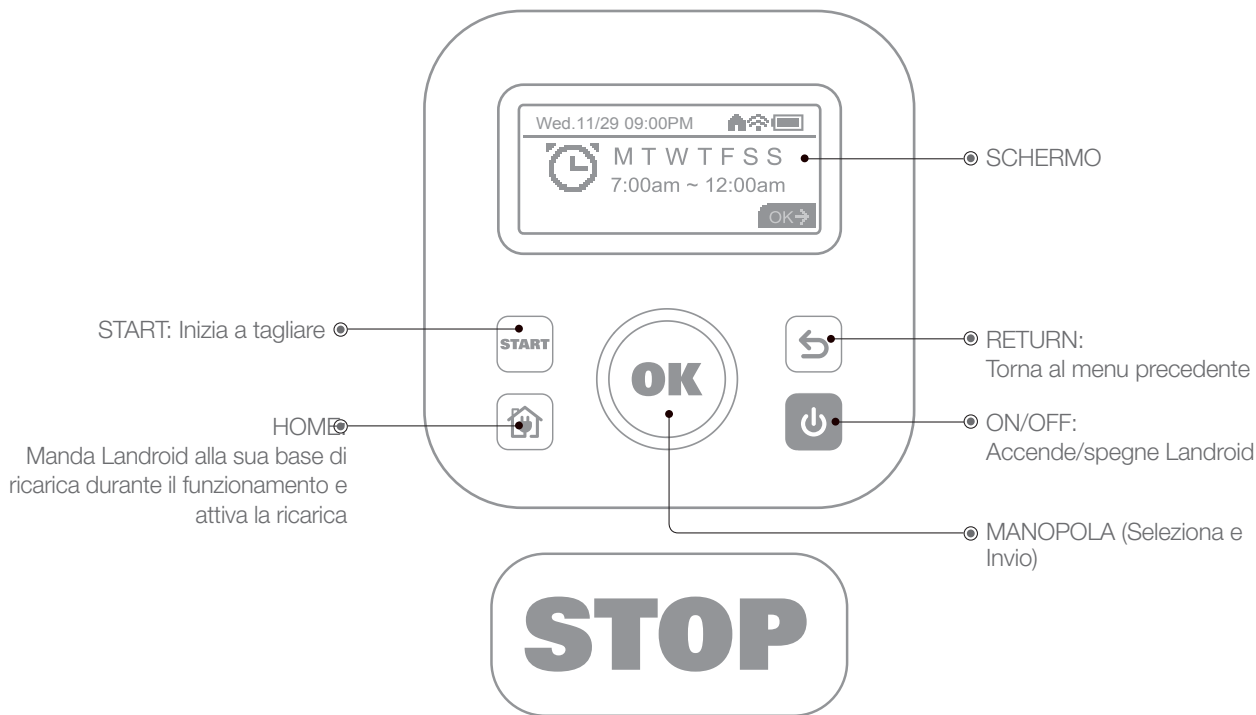
⚠ Attenzione: consigliamo di non unire il filo perimetrale con del nastro isolante o utilizzando una morsettiera a vite per il collegamento. L'umidità del terreno può ossidare il filo causando l'interruzione del circuito.

ORA COMINCIA LA PARTE DIVERTENTE! AVVIA LANDROID.

Come funziona il pannello di controllo

Il pannello di controllo ti permetterà di accedere alle funzioni base.

Per accedere alle funzioni più avanzate, scarica gratuitamente l'app Landroid.



Avvia Landroid

A. Posiziona Landroid all'interno dell'area di lavoro

B. Tieni premuto il tasto **ON/OFF** a che il display si illumina. Quindi inserire il codice PIN

C. Ruotare in senso orario il **OK** per selezionare il numero e premere breve **OK** per confermare uno per uno. Sul display comparirà 0000

D. Premi il tasto **START** e poi il tasto **OK**. Landroid inizierà a rasare il prato

E. Puoi fermare Landroid in ogni momento premendo il grande pulsante rosso **STOP**

F. Per mandare Landroid alla base di ricarica, premi il tasto **HOME** e poi il tasto **OK**

Nota: Il codice PIN predefinito è 0000

PANNELLO DI CONTROLLO

Funzioni avanzate tramite interfaccia integrata

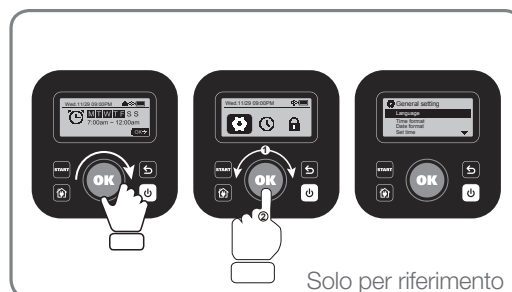
Nonostante il suo design minimalista, il pannello di controllo integrato ti consente di impostare diverse funzioni avanzate. Tuttavia ti consigliamo di utilizzare l'app gratuita di Landroid per farlo, data la sua interfaccia più ricca e intuitiva.

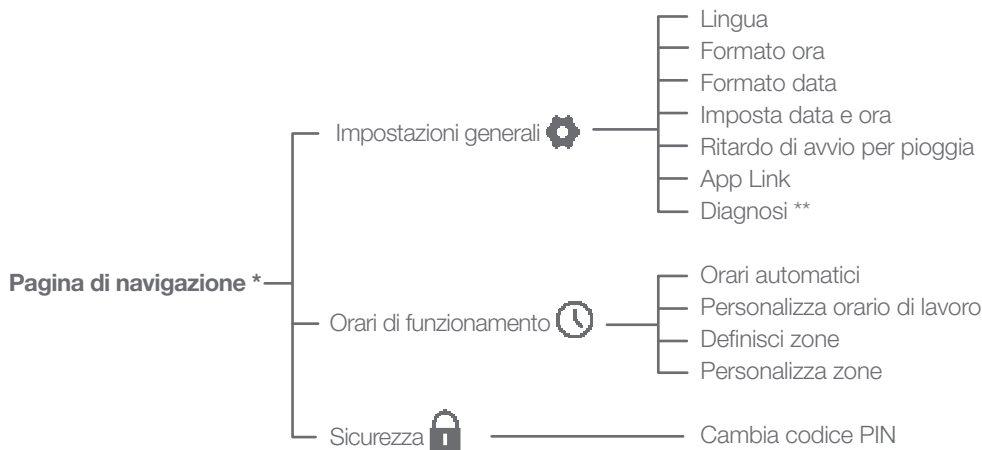
1. Impostare

A. Ruotare in senso orario **OK** per accedere all'impostazione

B. Quindi ruota **OK** per selezionare "Impostazioni generali" / "Orario di lavoro" / "Sicurezza", premere brevemente per entrare.

C. Utilizzare lo stesso metodo per prendere misure di follow-up.



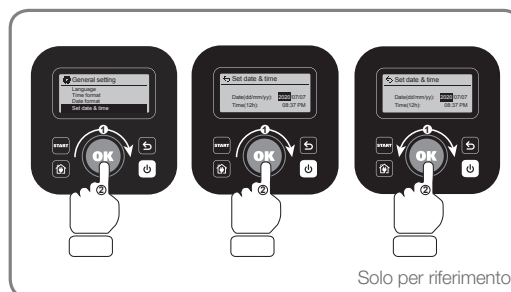


* Aggiornamento continuo in base alla versione del software.

** Solo per servizio post vendita

2. Imposta data & Ora

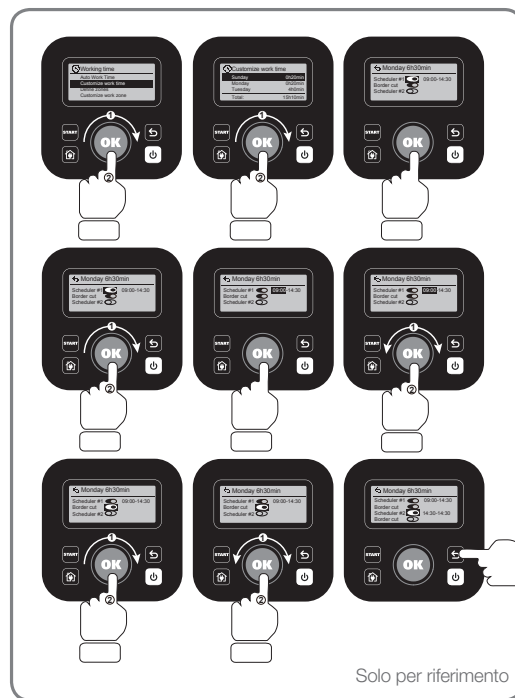
- A. Torna a "Impostazioni generali"
- B. Ruota in senso orario **OK** "Imposta data & ora", quindi premere brevemente per accedere.
- C. Quindi ruota in senso orario **OK** Seleziona "Giorno" e Pressione breve. Il numero selezionato lampeggerà.
- D. Avanti , Ruota **OK** per selezionare il numero e premere brevemente per confermare. Usa lo stesso metodo per completare "Mese / Anno / Ora".



Solo per riferimento

3. Orario di lavoro personalizzato

- A. Torna a "orario di lavoro"
- B. Ruota in senso orario **OK** Vai a "Orario di lavoro personalizzato", quindi premi brevemente per entrare.
- C. Ruota in senso orario **OK** Selezionare il giorno della settimana, quindi premere brevemente.
- D. Quindi, premere **OK** per accedere alle impostazioni.
- E. Ruota in senso orario **OK** per attivare "Orario # 1 *". Pressione breve **OK** per confermare.
- F. Quindi, rotazione in senso orario **OK** Selezionare l'ora di inizio "ora / minuto", quindi premere brevemente per accedere all'impostazione. Il numero selezionato lampeggerà.
- G. Ruota **OK** per selezionare l'ora di inizio che desideri che LANDROID ritagli in una data specifica, quindi premi brevemente per confermare. Usa lo stesso metodo per completare il tempo di arresto.
- H. Dopodiché, rotazione in senso orario **OK** e premi brevemente per accedere all'impostazione "taglio telaio".
- I. Ruota **OK** per scegliere se attivare "Border Cut", quindi premi brevemente per confermare.
- J. Se desideri impostare "Orario 2 **", utilizza lo stesso metodo di cui sopra.
- K. Premere **S** e utilizzare lo stesso metodo per impostare l'orario di lavoro per altri giorni lavorativi.



Solo per riferimento

* È possibile impostare due programmi in un giorno.

4. Regolazione dell'orario di lavoro

È possibile regolare rapidamente l'orario di lavoro della settimana. L'aumento / diminuzione del tempo sarà equamente ripartito tra i giorni lavorativi richiesti

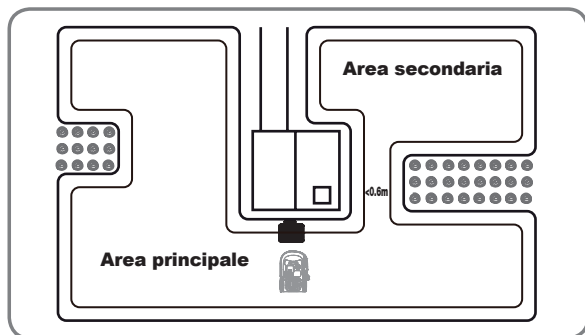
- A. Tornare alla schermata principale.
- B. Ruota in senso antiorario **OK** Per attivare la regolazione dell'orario di lavoro.

NOTA: Il tempo totale si basa sull'orario di lavoro personalizzato e può essere regolato con una pendenza del 10%.

- C. Quindi ruota **OK** per regolare e premi brevemente per confermare.



Solo per riferimento



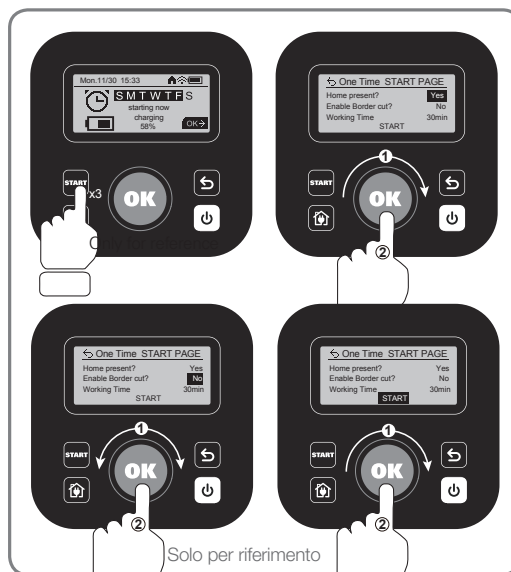
5. Impostazione taglio singolo

Se il tuo prato ha più aree collegate da corridoi, la larghezza deve essere almeno 0.6 m . Se il corridoio è più stretto di 0.6 m , Landroid avrà difficoltà a spostarsi tra di loro. In questo caso, si consiglia di allestire aree primarie e secondarie sul prato. La linea di confine deve essere posizionata come mostrato.

Per impostazioni di lavoro flessibili (se tornare alla stazione di ricarica e se tagliare il telaio), specialmente quando Landroid si trova in un'area ausiliaria senza una stazione di ricarica, Tempi ridotti.

- Posiziona Landroid all'interno della linea di confine.
- Quando il tuo Landroid è connesso alla base di ricarica .
- A. Tornare alla schermata principale.
- B. Premi rapidamente **START** tre volte.
- C. Ruota in senso orario **OK** Seleziona "Regalo a casa? - Sì / NO " (indipendentemente dalla stazione di ricarica se si trova in quest'area), quindi premere brevemente per accedere all'impostazione. La parola selezionata lampeggerà, quindi premere brevemente per confermare.
- D. Quindi, ruota **OK** Seleziona "Abilita taglio bordi sì / no" (se tagliare i bordi), quindi premi brevemente. La parola selezionata lampeggerà, quindi premere brevemente per confermare. Quindi utilizzare lo stesso metodo per completare il "tempo di lavoro".
- E. Quindi ruotare in senso orario **OK** Selezionare "Avvia", quindi premere brevemente per avviare il taglio

Attenzione : Landroid tornerà alla stazione di ricarica Per caricare la batteria Il tempo è scaduto o è finito. Se Landroid è completamente carico e il tempo impostato non è scaduto, Landroid continuerà a tagliare l'erba fino alla fine del tempo.



Solo per riferimento

- Quando il tuo Landroid è scollegato dalla Stazione di ricarica ,
- A. Tornare alla schermata principale.
- B. Premi rapidamente **START** tre volte.
- C. Ruota **OK** Seleziona "Home Gift?- Sì / NO " (Stazione di ricarica Che si trovi in quest'area) e premere brevemente Immettere le impostazioni . La parola selezionata lampeggerà, quindi premere brevemente per confermare. Utilizzare lo stesso metodo per completare "l'orario di lavoro".
- D. Quindi ruota in senso orario **OK** Seleziona "Avvia", quindi premi brevemente per avviare il taglio

Nota: Quando il tuo Landroid si trova nell'area principale (di solito si trova nella stazione di ricarica), tornerà stazione di ricarica viene utilizzato per caricare quando la batteria è scarica o il tempo di taglio è scaduto. Se Landroid è completamente carico e il tempo impostato non è scaduto, Landroid continuerà a tagliare l'erba fino alla fine del tempo. Quando il tuo Landroid si trova nell'area secondaria, smetterà di falciare e rimarrà dov'è quando la batteria è scarica, è giunto il momento di tagliare, Landroid incontra alcuni problemi (ad esempio, crash e altri) o premi manualmente "STOP".



Solo per riferimento

CONNETTI LANDROID A INTERNET

Perché connettere il tuo Landroid a internet?

Landroid è un dispositivo IoT (Internet delle cose). Per sfruttare appieno tutte le funzionalità del tuo Landroid e tenerlo sempre aggiornato con i software più recenti, è necessario collegarlo a Internet tramite la rete Wi-Fi

PRIMA DI COMINCIARE

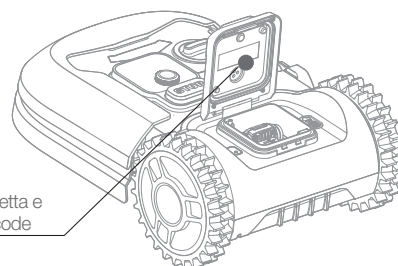
1. Scarica l'app

Prima di tutto scarica l'app gratuita di Landroid. È disponibile per Android o Apple negli app stores



2. Assicurati di avere:

- A. La password per la tua rete Wi-Fi/Funzione Bluetooth sullo smartphone
 - B. Il numero di serie del tuo Landroid: puoi trovarlo sull'etichetta che si trova all'interno dello sportello posteriore della macchina
- Se non hai voglia di digitare i 20 numeri del numero di serie, puoi inserirli scansionando il QR code con il tuo smartphone.



Etichetta e QR code

3. Controlla le tue impostazioni

Connessione Wi-Fi

- A. Landroid funziona con segnale Wi-Fi a 2,4GHz
- B. Assicurati che Landroid ed il tuo smartphone abbiano la stessa copertura Wi-Fi
- C. Assicurati che la distanza tra il tuo Landroid, lo smartphone e il tuo router sia la minore possibile durante la connessione

Nota: quando Landroid si sposta su un'area del prato con il segnale Wi-Fi debole o assente, le istruzioni inviate dall'app verranno impartite solo quando Landroid tornerà in un'area con un buon segnale.

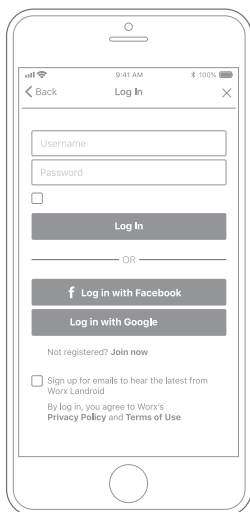
Connessione Bluetooth

- A. La funzione Bluetooth sullo smartphone è attivata.
- B. Assicurati che il tuo Landroid sia entro la distanza collegabile.

COME COLLEGARE LANDROID A INTERNET

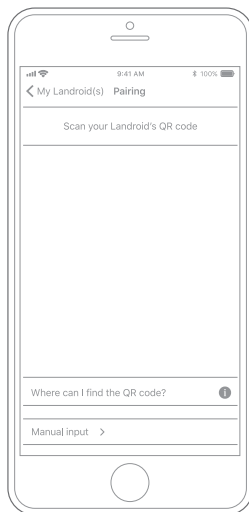
CAwia l'app e segui queste istruzioni.

1. Registra il tuo account



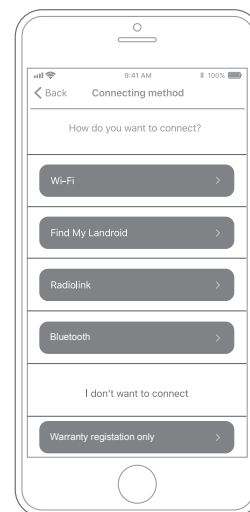
Registra il tuo account digitando il tuo nome utente e password, oppure effettuando l'accesso tramite Facebook o Google.

2. Inserisci il numero di serie del tuo Landroid



Registra il tuo Landroid inserendo manualmente il numero di serie o scansionando il QR code.

3. Scegli come connetterti



Scegli la tua rete Wi-Fi o Bluetooth, oppure puoi connetterti a Landroid cercando il mio Landroid o l'opzione Radiolink.

Se il segnale della tua rete WiFi non copre tutta l'area del prato, considera l'acquisto del modulo Landroid Radiolink che estende il segnale fino a 300m di distanza.

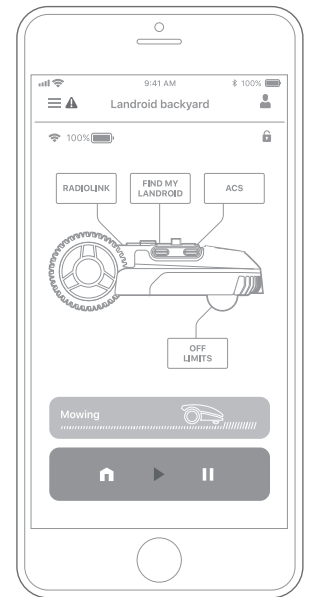
In alternativa, puoi acquistare il modulo Find My Landroid, che oltre a connettere Landroid a Internet tramite la sua SIM incorporata ti consente anche di rintracciarlo nello sfortunato caso in cui venga rubato.

APP LANDROID PIÙ DI UN SEMPLICE TELECOMANDO

Non pensare all'app come a un semplice telecomando. L'app è parte integrante dell'ecosistema avanzato Worx Landroid basato sul cloud computing e sull'intelligenza artificiale.

Grazie alla funzione di realtà aumentata integrata nell'app, puoi misurare l'area esatta del tuo prato. È facile come fare una passeggiata lungo il suo perimetro.

Molti fattori influenzano il tasso di crescita dell'erba. Landroid li combina per determinare il miglior trattamento per il tuo prato. Giorno dopo giorno



⚠️ ADVERTENCIA: Lea todas las advertencias e instrucciones de seguridad. El incumplimiento de las advertencias e instrucciones puede provocar una descarga eléctrica, incendio y/o lesiones graves. Lea atentamente las instrucciones para un correcto funcionamiento de la máquina. Guarde todas las advertencias e instrucciones como referencia para el futuro.

CÓMO FUNCIONA EL LANDROID

En la sección siguiente, queremos ayudarle a entender mejor cómo funciona el Landroid.

El Landroid es una máquina autónoma, capaz de funcionar de forma independiente. Sabe cuándo debe volver a la estación de carga, puede detectar si llueve, se puede parar si detecta algún problema y sabe detenerse, volver atrás y, si se golpea con un objeto que le obstruye el paso, puede sortearlo. Para evitar accidentes, el Landroid también detendrá automáticamente el giro del disco de corte si se levanta del suelo.

Se carga solo



Cuando el Landroid necesita recargarse, deja de cortar el césped y sigue el cable delimitador en el sentido de las agujas del reloj, para volver a la base de carga. Una vez completada la carga, el Landroid reanuda automáticamente su tarea de corte o se queda en la base de carga, según lo que dicte su programación de corte.

Gestión de los bordes



El Landroid está programado para cortar el césped a lo largo del perímetro de su zona dos veces por semana en los lunes y viernes. Si quiere cambiar este valor predefinido, puede hacerlo con el smartphone o mediante el panel de control en los menús «Horas de trabajo- Personalizar horas». Puede ver instrucciones detalladas en la parte final de este manual.

Sensor de lluvia



El Landroid resiste totalmente a las condiciones climatológicas y está preparado para funcionar en exteriores. Pero cuando la hierba está mojada, ni el acabado ni los resultados son los mejores. El Landroid está equipado con un sensor que detecta la lluvia e indica al Landroid que deje de cortar y vuelva a la base de carga.

Tiempo de retraso por lluvia



Tras un aguacero, el Landroid se reinicia cuando la hierba se seca. El tiempo de retraso por lluvia es de 180 minutos. Puede cambiar el ajuste de retraso por lluvia con la aplicación Landroid.

En el clima más extremo



En caso de tormenta eléctrica, proteja el Landroid desenchufando la base de carga, desconectando el cable delimitador y evitando que se pueda cargar. En invierno, y especialmente cuando haga mucho frío o cuando nieve, le recomendamos que guarde el Landroid en el interior. En algunos países, ofrecemos un servicio de mantenimiento invernal para que el Landroid esté listo para la temporada de primavera. Póngase en contacto con su distribuidor o consulte en Internet para obtener más información.

Ya no tendrá que recoger más césped cortado

El corte diario del Landroid produce recortes muy pequeños que no es necesario rastrillar. Estos recortes son un nutriente orgánico perfecto para el propio césped. El corte frecuente aumenta su densidad y evita eficazmente la propagación de malas hierbas.

Corte hasta el borde

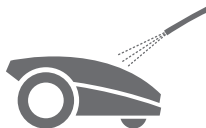
La cuchilla especial desviada se acerca al máximo al borde del césped, por lo que apenas tendrá que hacer más retoques.

Altura de corte

Antes de poner en marcha el Landroid por primera vez, asegúrese de que la hierba no tenga más de 10 cm de altura. Si es más alta, utilice un cortacésped normal para cortarla antes de utilizar el Landroid. Si quiere reducir de forma radical la altura de la hierba, le recomendamos que lo haga progresivamente, ajustando la altura de corte por incrementos.

Seguridad y protección con PIN

Para evitar que lo utilicen personas no autorizadas, el Landroid se protege con un código PIN que se puede configurar con facilidad.

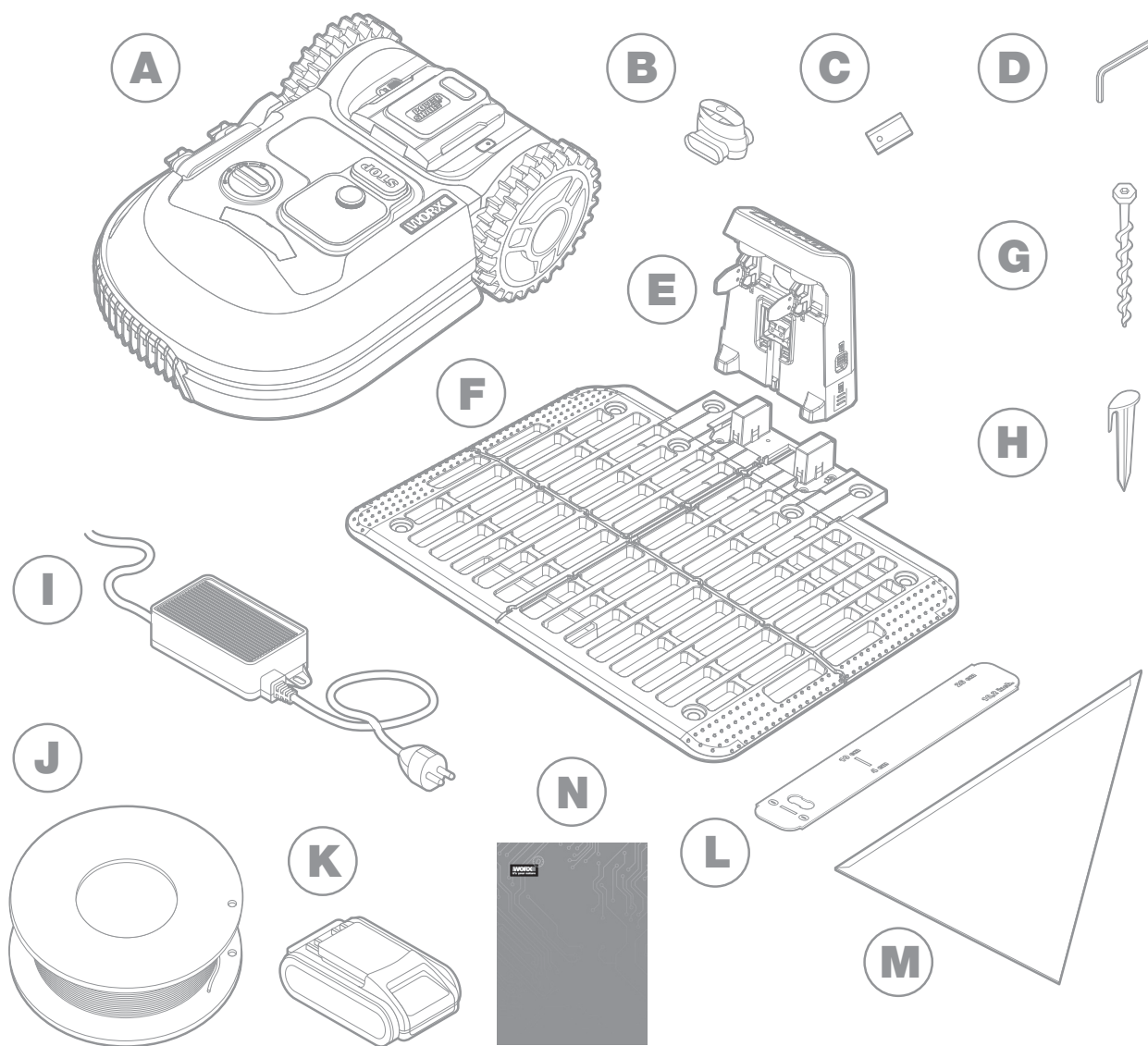
Limpieza fácil

Gracias a la resistencia al agua IPX5, Landroid se deshace de la suciedad, la hierba y polvo sobrante que recoge en el trabajo. Hace que Landroid se vea y funcione aún mejor.

Rastreador de Tierra

Con el nuevo diseño de auto-elevación, las hojas pueden elevarse automáticamente, dándole más espacio libre. Esto ayuda a Landroid a evitar ciertas situaciones que bloquearían otros cortacéspedes robóticos.

CONTENIDO DE LA CAJA



La imagen es solo de referencia

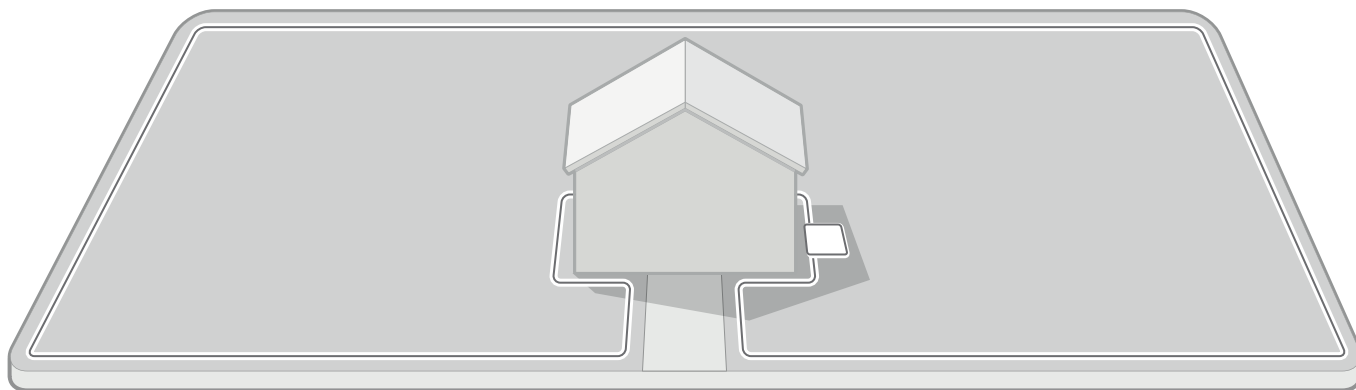
A	Worx Landroid
B	Conectores de reparación de cable
C	Kits de cuchillas de repuesto
D	Llave hexagonal
E	Pila de carga
F	Base de carga
G	Tornillos

H	Estacas para el cable
I	Fuente de alimentación
J	Cable delimitador
K	Batería de 20V
L	Medidores de distancia para el cable delimitador
M	Calibre de Bertelsen
N	Manuales

INSTALACIÓN

Le resultará más fácil instalar el Worx Landroid si sigue atentamente estas instrucciones. Al fin y al cabo, solo hay que instalar la estación de carga y extender el cable delimitador alrededor del césped. Además de este manual, puede utilizar la guía introductoria que encontrará en el interior de la caja y puede ver los exhaustivos tutoriales en vídeo en nuestro canal de YouTube*.

* Le proporcionamos esta información como referencia, pero no sustituye al manual de instrucciones ni a las instrucciones de seguridad, que se deben leer y comprender.



Dé un paseo por el césped para planificar la instalación.

Instale la estación de carga.

Extienda el cable delimitador.

Conecte la estación de carga a la CA.

Encienda el Landroid. Haga una prueba y prepárese para cortar.

CADA MINUTO QUE DEDIQUE A PLANIFICAR LE AHORRará 10 MINUTOS DE EJECUCIÓN

Le resultará aún más fácil instalar el Landroid si tiene claro lo que debe hacer. Una planificación adecuada le ayudará además a evitar cometer errores y tener que empezar de nuevo si algo sale mal.

1. ¿En superficie o bajo tierra?

El cable delimitador del Landroid está diseñado para que quede sobre la superficie del césped. Será casi invisible desde el primer día y en pocas semanas quedará oculto en el suelo. Si prefiere enterrar el cable, le recomendamos que lo sujete antes con estacas y que pruebe la instalación haciendo funcionar el Landroid por el perímetro. Así podrá comprobarlo todo y, si fuera necesario, cambiar la disposición antes de enterrar el cable. Entierre el cable a pocos centímetros bajo el nivel del suelo, para asegurar una señal correcta del cable.

2. Planificación para la estación de carga

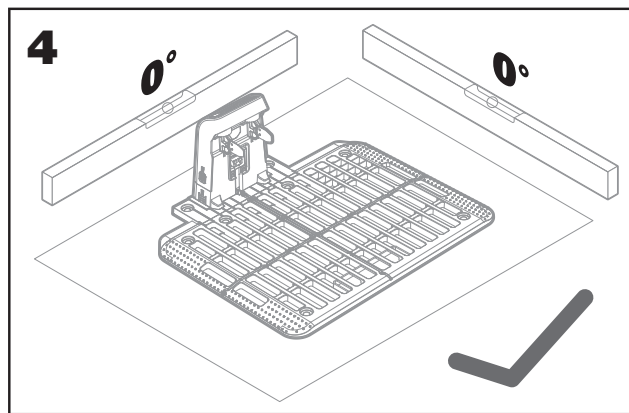
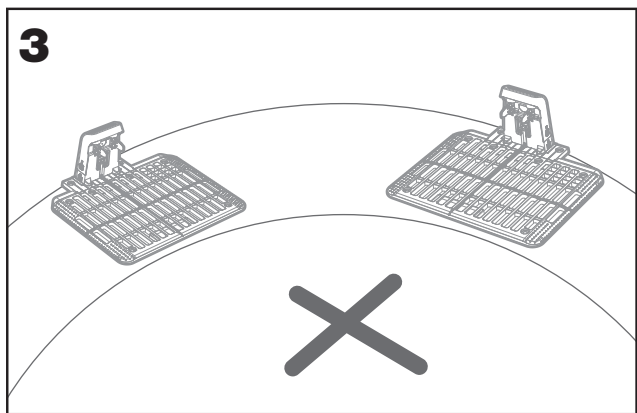
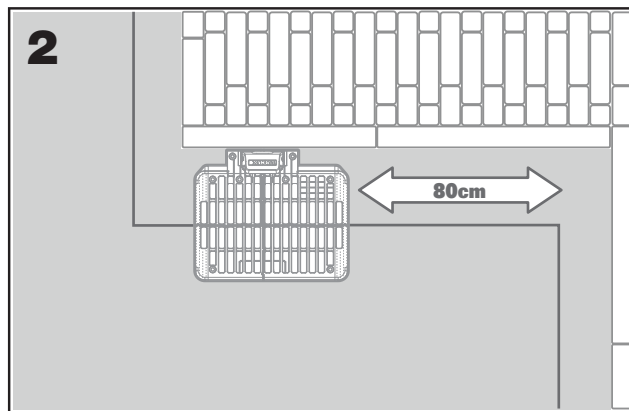
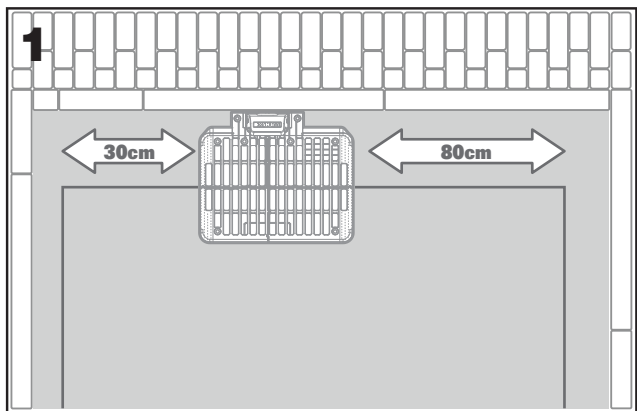
La estación de carga, compuesto por pila de carga y base de carga,, es donde se recarga la batería del Landroid. También es el aparcamiento en el que descansará entre una sesión de corte y la siguiente.

Encuentre la ubicación correcta teniendo en cuenta lo siguiente:

- A. Debe recibir alimentación eléctrica, por lo que no debe estar a más de 10 m de un enchufe de la red eléctrica de CA.
- B. De ser posible, elija un lugar a la sombra, porque a las baterías y a los cargadores no les viene bien el exceso de calor.
- C. La base debe asentarse en terreno plano para garantizar un acoplamiento eficaz.
- D. Evite lugares cerca de aspersores.

Puede colocar la estación de carga sobre el césped o sobre una superficie dura, como una vereda, siempre que esté a la misma altura que el césped (sin escalones).

Para llegar a la estación, el Landroid debe tener un espacio recto delante de al menos 80cm. En el lado de salida, debe tener un espacio recto de al menos 30cm antes de girar a la izquierda (fig. 1). Si el giro es a la derecha, no hay necesidad de un espacio recto (fig. 2).

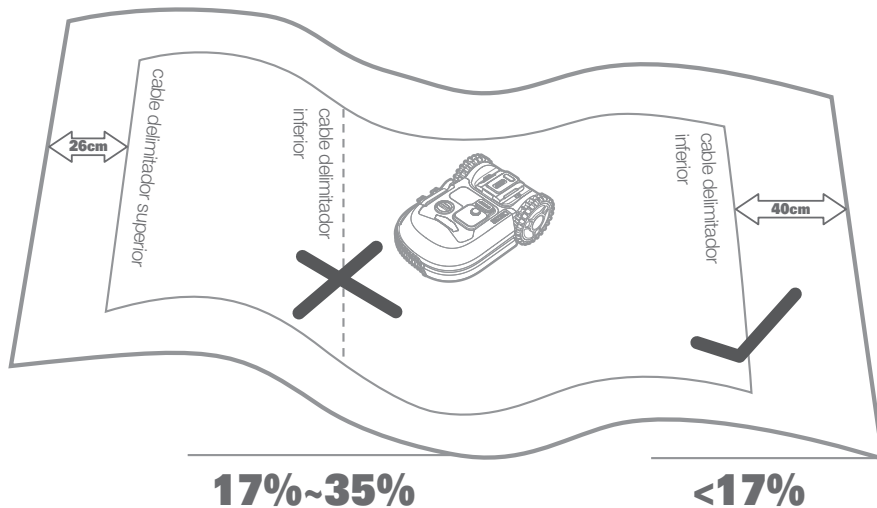


3. Lista de comprobación para la estación de carga:

- A. Al alcance de una toma de CA y
- B. a la sombra.
- C. Espacio recto a la entrada y espacio libre a la salida, si procede.
- D. Terreno llano
- E. Sin aspersores cerca.

4. Colocación del cable delimitador en pendientes

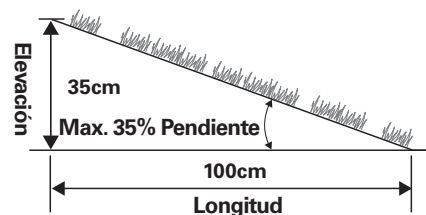
El cable delimitador superior NO se debe colocar en pendientes con una inclinación superior al 35 % (20°) *. El cable delimitador inferior NO se debe colocar en pendientes con una inclinación superior al 17 % (10°) y debe colocarse, como mínimo, a 40 cm de separación de cualquier obstáculo si se encuentra en una pendiente del 17 %.



*¿Cómo se calcula la pendiente del terreno?

La pendiente sería:

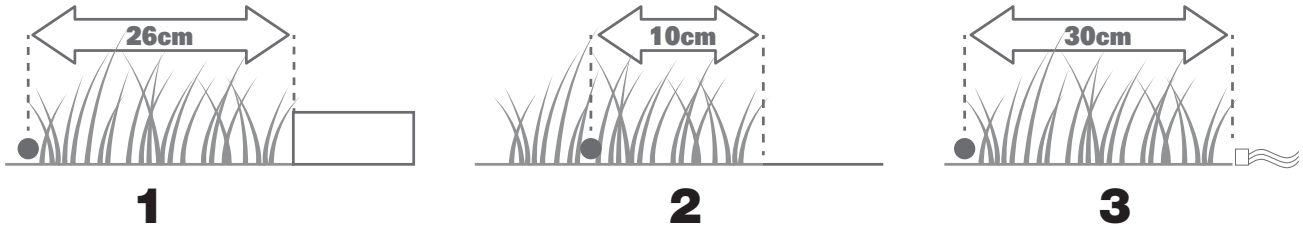
$$\frac{35 \text{ cm (Elevación)}}{100 \text{ cm (Longitud)}} = 35\% \text{ (Pendiente)}$$



5. Planificación para el cable delimitador

El cable debe colocarse a cierta distancia del borde del césped. La distancia varía en función de lo que haya al otro lado del borde. Las diferentes partes del césped pueden lindar con diferentes cosas:

- A. Si el borde del césped linda con un escalón, mantenga el cable a 26cm del borde. (Figura 1)
- B. Si el borde del césped linda con una vereda a la misma altura, mantenga el cable a 10cm del borde. (Figura 2)
- C. Si el borde del césped está al límite de una piscina: coloque el alambre como mínimo a 30cm del borde. (Figura 3)



Si un lateral del césped limita con el césped de un vecino en el cual también se utiliza un robot cortacésped, coloque el alambre, como mínimo, a 1 m de separación del alambre del vecino para evitar posibles interferencias.

DÉ UN PASEO POR EL CÉSPED

El Landroid está diseñado para ocuparse de los céspedes más complicados. Realice una inspección visual del césped para preparar la instalación del cable delimitador y evitar problemas.

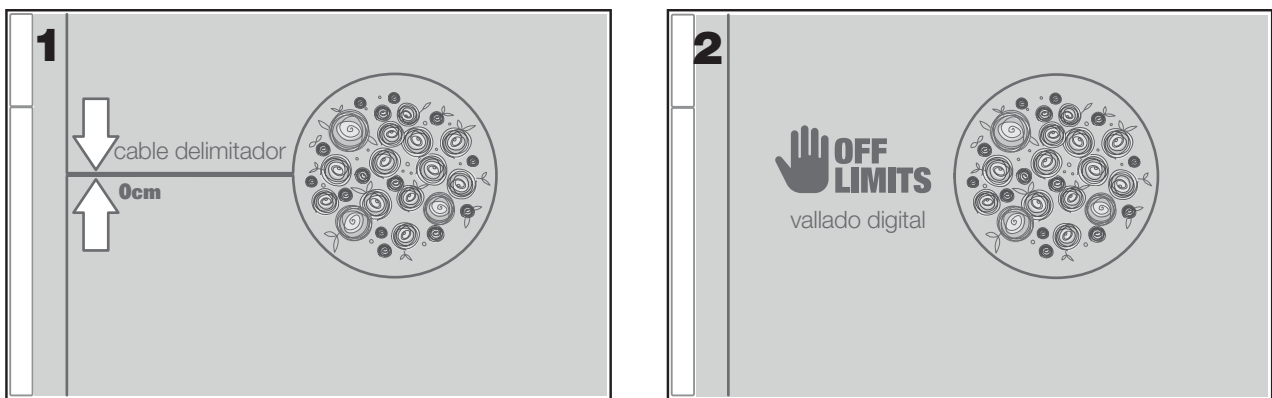
1. Identificación de áreas prohibidas

Si no quiere que el robot cortacésped corte las flores, que se meta en un estanque o que destruya las raíces de los árboles que salgan a la superficie. Localice esas áreas y rodéelas con el cable delimitador para evitar que el Landroid acceda a ellas.

El cable delimitador es un circuito único conectado en los dos extremos a la estación de carga, así que deberá partir con el cable desde el borde, rodear el área que quiera proteger y volver a llevar el cable al borde como se muestra en la fig. 1.

Si las áreas que hay que rodear están lejos del borde del césped, o si hay varias áreas y raíces que proteger, este método tradicional requiere mucho tiempo.

Una alternativa estupenda es adquirir la opción Off-Limits de Landroid. Solo tendrá que rodear las áreas prohibidas con el vallado digital Off-Limits, que no es necesario conectar al circuito delimitador (fig. 2). El vallado digital Off-Limits también es ideal para proteger mobiliario de temporada (como una cama elástica) o para proteger nuevos cambios en la disposición del césped sin tener que volver a colocar el cable delimitador.



2. Identificación de obstáculos

El sensor de impacto puede gestionar obstáculos sólidos como árboles, mobiliario, etc., que no es necesario rodear con el cable.

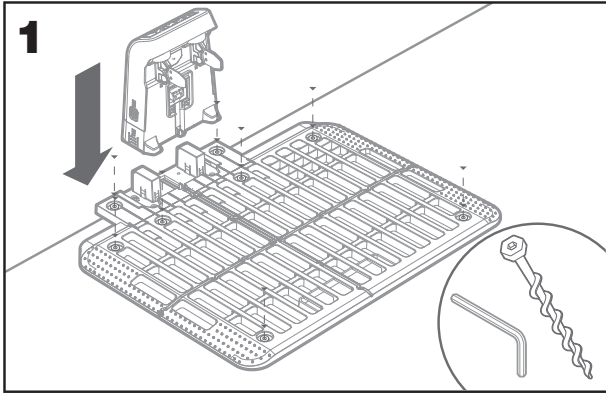
Si en su césped hay varios obstáculos y árboles situados cerca unos de otros, le recomendamos que adquiera la opción ACS de Landroid, un piloto automático ultrasónico inteligente que hace que el Landroid sortee los obstáculos en lugar de chocar contra ellos.

PÓNGASE MANOS A LA OBRA. CUANDO ESTÁ, ESTÁ.

Una vez que ha planificado cada detalle de la instalación, es hora de ponerse manos a la obra. Antes de empezar, conviene que utilice el viejo cortacésped por última vez para darle un repaso al césped y facilitar la instalación.

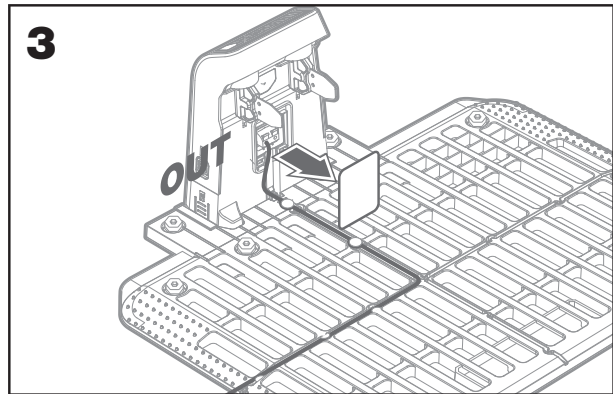
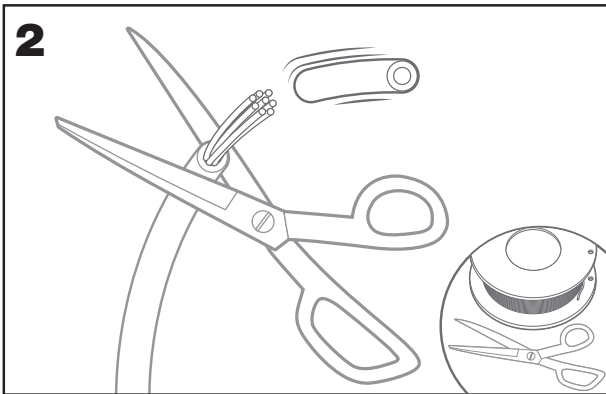
1. Fije la estación de carga en la ubicación elegida.

- A. Inserte la pila de carga en la base de carga. Luego fije la estación de carga al suelo mediante los tornillos suministrados, utilizando la llave hexagonal suministrada (fig. 1)
- B. Si va a colocar la base sobre una superficie dura, fijela con tornillos y tacos (no incluidos).



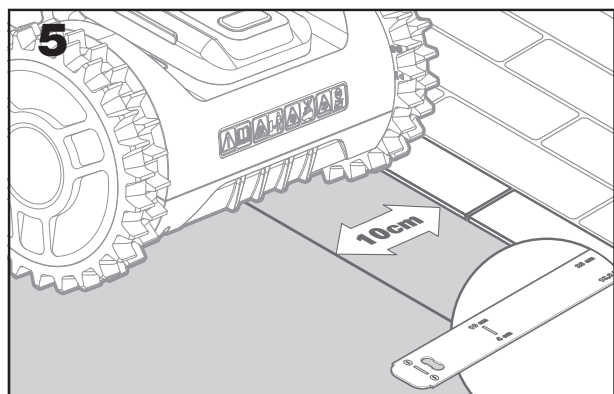
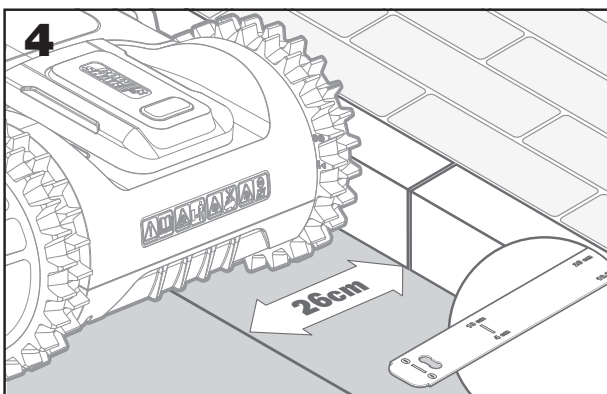
2. Conecte uno de los extremos del cable delimitador a la estación de carga.

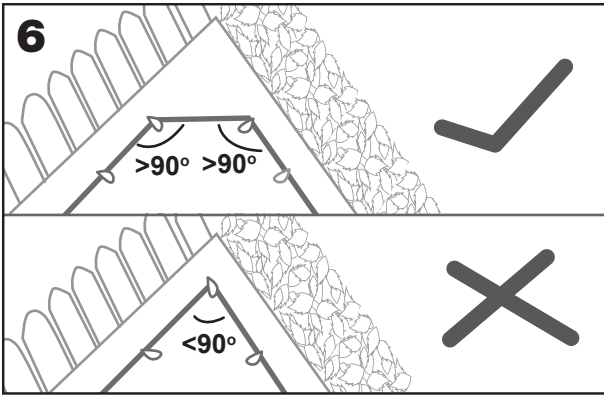
- A. Pele el extremo del cable con unas tijeras (fig. 2).
- B. Abra la portezuela de plástico e inserte el cable pelado en el sujetacables rojo de la izquierda (fig. 3)
- C. Pase el cable por la guía de la base, como se indica en la fig. 3



3. Extienda el cable delimitador alrededor el césped.

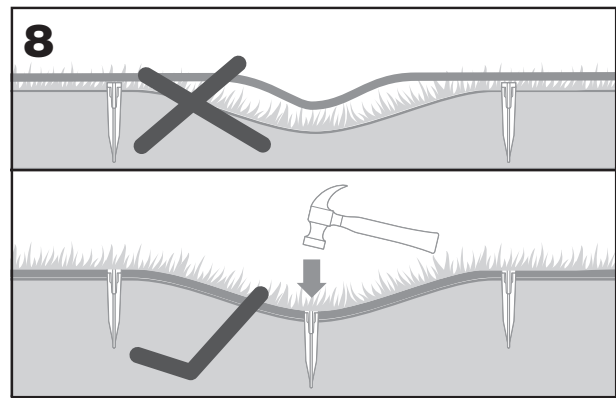
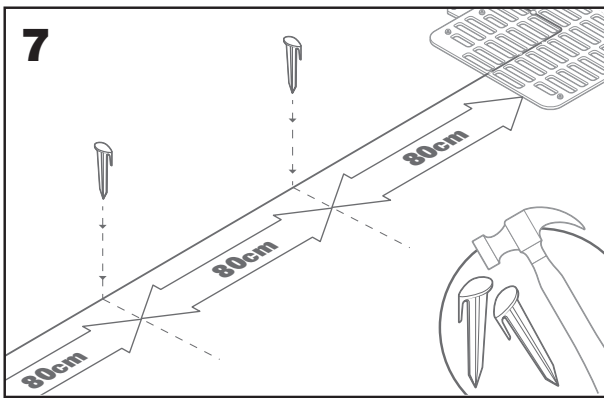
- A. Utilice el calibrador que se incluye para establecer la distancia del cable al borde.
- B. Si hay un escalón en el borde del césped, mantenga el cable a 26 cm de él (fig. 4).
- C. Si no hay escalón, mantenga el cable a 10 cm del borde (fig. 5).
- D. Asegúrese de que el cable de límite es perfectamente recto en cada esquina, y el ángulo del cable de límite es mayor que 90°.





4. Fije el cable al suelo con estacas

- A. Disponga las estacas con una separación de unos 80 cm entre ellas (fig. 7).
- B. Asegúrese de que el cable siempre esté cerca del suelo (fig.8)

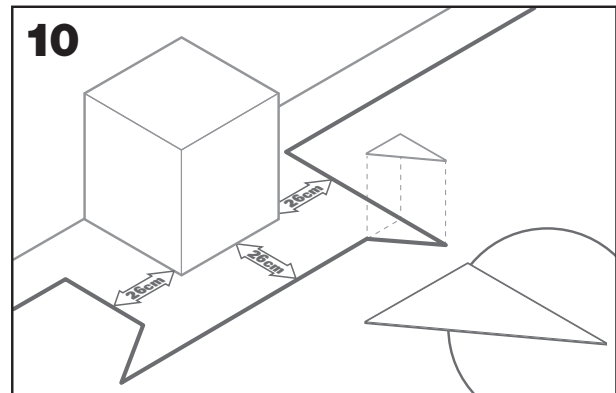
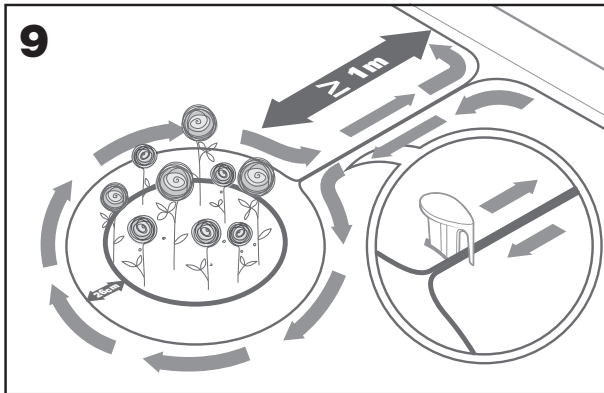


5. Disponga islas perimetrales, si procede.

- A. Proteja los parterres de flores, los estanques, las raíces de los árboles y otras áreas rodeándolas con el cable delimitador.
- B. Parta del borde con un ángulo recto para llegar al área que debe protegerse.
- C. Rodee el área con el cable, manteniendo una distancia de 26 cm, hasta cerrar la isla.
- D. Extienda siempre el cable en el sentido de las agujas del reloj. Si no lo hace, el cortacésped se dirigirá a la isla.
- E. Vuelva al borde del césped siguiendo la misma ruta.

6. Método de Bertelsen: cómo hacer ángulos perfectos de 90° con las esquinas mirando al césped.

Si hay esquinas de 90° mirando al interior del césped, utilice el calibre de Bertelsen con forma de cartabón para que el Landroid haga giros perfectos (y evitar el riesgo de que el Landroid se golpee con un obstáculo en el borde del césped mientras realiza esta maniobra).



7. Cierre del circuito

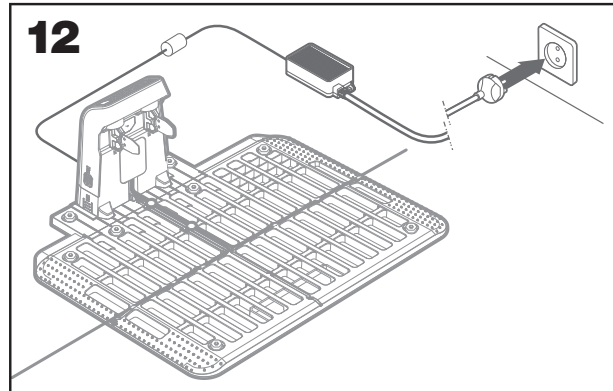
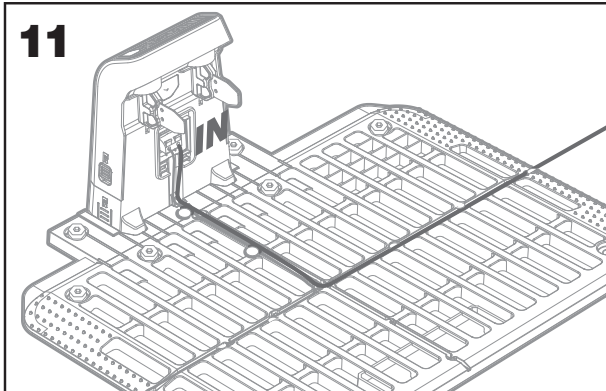
Cuando haya terminado de colocar el cable en el perímetro del césped, vuelva a la base de carga.

- A. Pase el cable por la guía de la base, hasta el sujetacables (fig. 11).
- B. Corte el cable sobrante y pele el extremo con unas tijeras.
- C. Inserte el extremo pelado en el sujetacables negro de la derecha.

8. Pasos finales

La parte aburrida ha terminado. Solo quedan unos pasos:

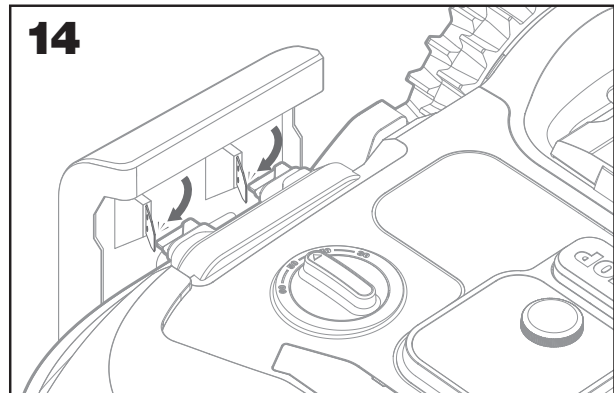
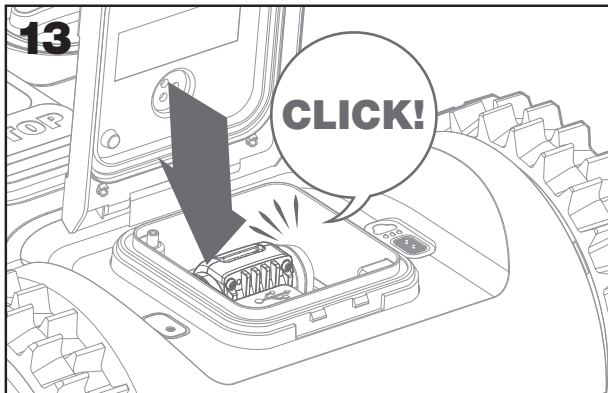
- A. Conecte la estación de carga en el enchufe de la red eléctrica de CA (fig. 12).
- B. Si todo está bien, el LED se pondrá verde.
- C. Si hay algún problema en el circuito, como un cable roto o unos extremos colocados de forma incorrecta en los sujetacables, el LED se pondrá rojo. Compruebe que todo está bien y consulte la sección de preguntas frecuentes si el problema persiste.



D. Abra la parte posterior del Landroid e inserte la batería PowerShare en la ranura hasta que haga clic (fig. 13).

E. Ponga a cargar el Landroid asegurándose de que exista un contacto firme con la base (Fig. 14).

El LED parpadeará en color verde; cuando la batería esté totalmente cargada, el LED permanecerá iluminado en verde.



F. Deje que el Landroid cargue la batería un rato. Durante la carga, puede tomarse un merecido descanso: familiarícese con las instrucciones siguientes y conecte el Landroid a su red wifi.

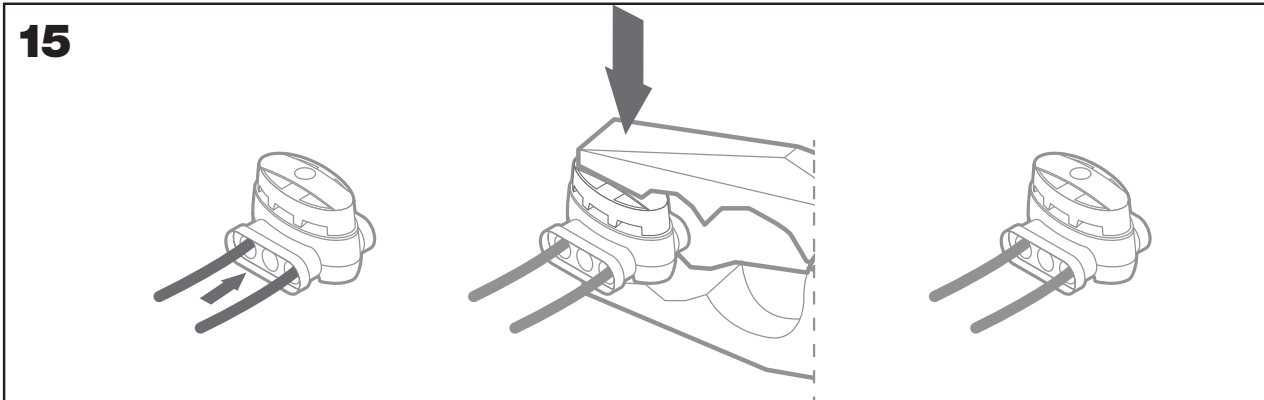
9. Unión del cable delimitador

La caja del Landroid incluye dos conectores impermeables para cable delimitador. Se pueden utilizar en estos casos:

- A. Cuando el césped tiene un perímetro muy largo y necesita cable delimitador adicional para completar la instalación. No supere los 300m de cable delimitador, ya que esa es la longitud máxima.
- B. Cuando se corta por accidente el cable delimitador y hay que repararlo.
- C. Cuando decida rediseñar el jardín en el futuro y necesite modificar la instalación original de cable delimitador.

Los conectores son impermeables y ofrecen una conexión eléctrica óptima (fig. 15).

- A. Inserte los dos extremos del cable en dos de los tres orificios del conector: no es necesario pelar los cables.
- B. Inserte los cables del todo, hasta que ambos extremos del cable aparezcan por el otro lado del conector.
- C. Apriete el conector firmemente con la ayuda de unos alicates.

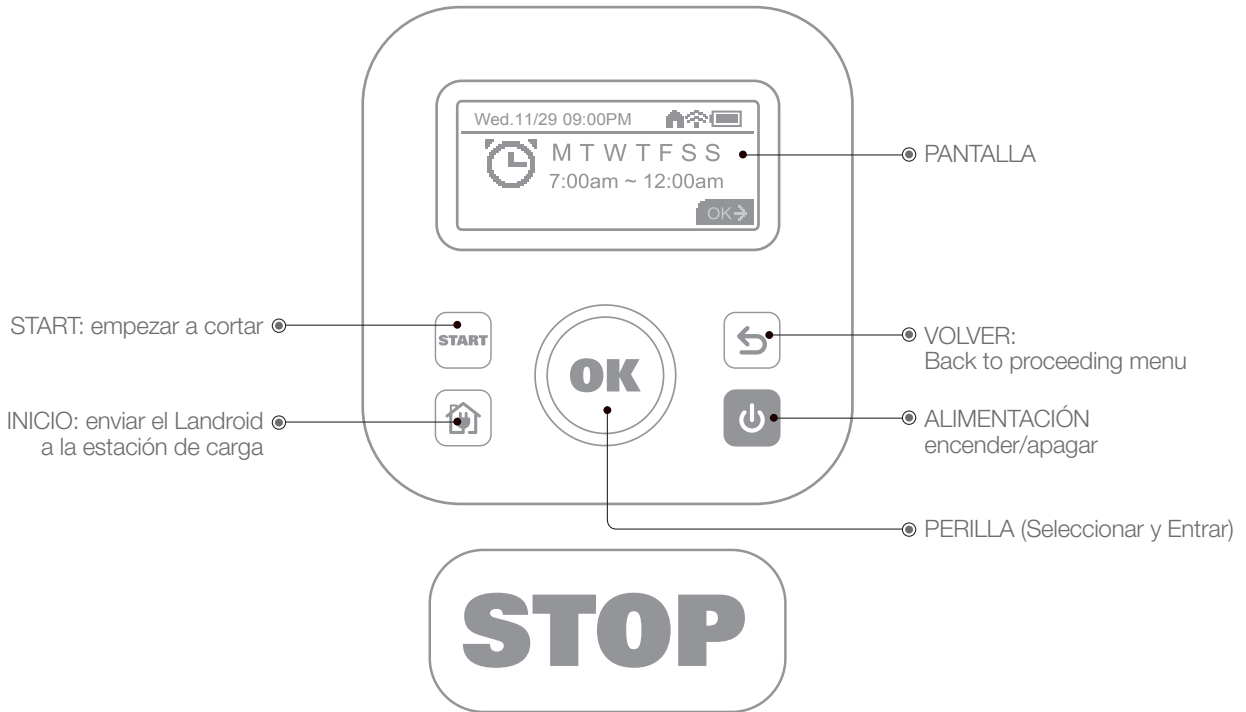


⚠ Atención: No se recomienda empalmar el cable delimitador y utilizar cinta aislante, ni utilizar una regleta de terminales atornillable para la conexión. Se puede interrumpir el circuito pasado un tiempo, porque la humedad puede oxidar el cable.

AHORA LA PARTE DIVERTIDA. LA PRIMERA PUESTA EN MARCHA DEL LANDROID.

Familiarícese con el panel de control

El panel de control del Landroid ofrece las funciones clave con un diseño minimalista. Para funciones avanzadas, la aplicación gratuita Landroid proporciona más opciones en una interfaz más completa: su smartphone.



Puesta en marcha del Landroid

- Coloque el Landroid dentro del cable delimitador.
- Pulse hasta que la pantalla se ilumine. A continuación, introduzca el código PIN
- Gire en sentido horario para seleccionar el número y pulse brevemente para confirmar uno por uno. La pantalla muestra <<Codigo PIN correcto>>
- Pulse el botón y, a continuación, . El Landroid empezará a cortar.
- Puede detener el Landroid en cualquier momento pulsando .
- Para enviar el Landroid a la estación de carga, pulse la y, a continuación .

Nota: El código predeterminado de PIN es 0000

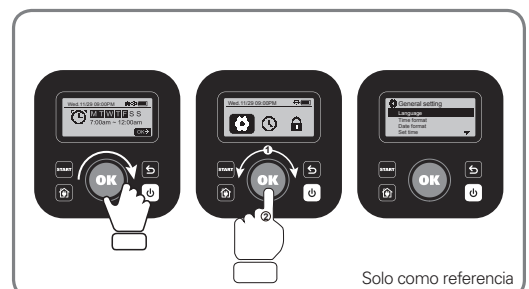
PANEL DE CONTROL DEL LANDROID

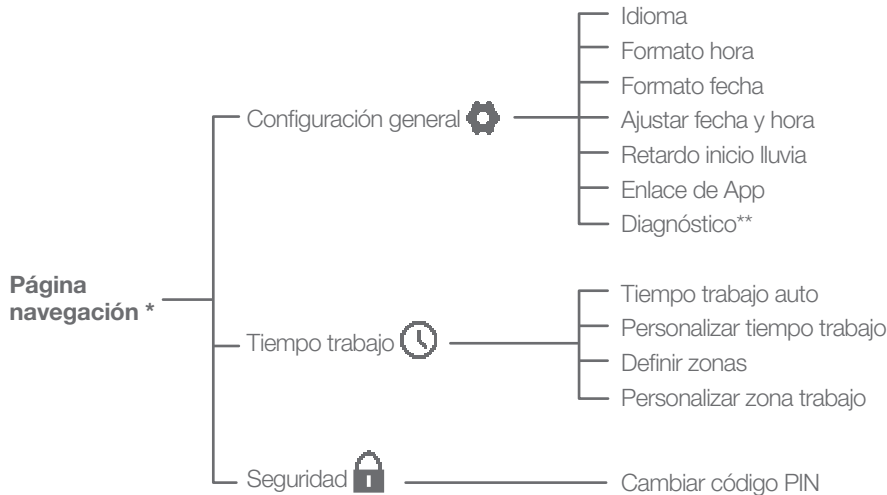
Funciones avanzadas de la interfaz integrada

A pesar de su diseño minimalista, puede establecer varias funciones avanzadas a través del panel de control integrado. Sin embargo, para conseguir la mejor experiencia de usuario, le recomendamos que utilice la aplicación gratuita Landroid, porque su interfaz es mucho más completa e intuitiva.

1. Ajuste

- Gire en el sentido de las agujas del reloj para entrar en el ajuste
- Luego gire para elegir "Configuración general "/"tiempo de trabajo "/"seguridad ", presione brevemente para entrar.
- Utilice el mismo método para realizar las acciones de seguimiento.





* Se actualiza continuamente de acuerdo con la versión del software.

** Únicamente para servicio post-venta

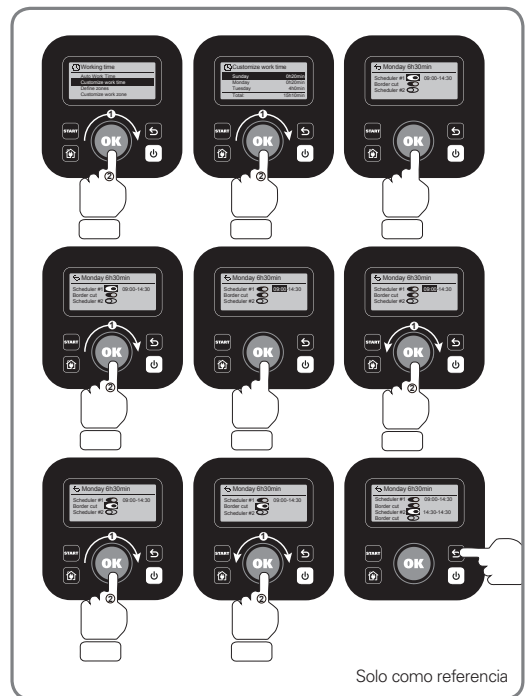
2. Establecer fecha & hora

- A. Volver a “Configuración general”
- B. Gire **OK** en el sentido de las agujas del reloj para “establecer fecha & hora”, presione brevemente para entrar.
- C. Luego, gire **OK** en el sentido de las agujas del reloj para seleccionar “día” y presione brevemente. El número seleccionado parpadeará.
- D. A continuación, gire el **OK** para seleccionar el número y presione brevemente para confirmar. Utilice el mismo método para completar “mes/año/hora”.



3. Tiempo de trabajo personalizado

- A. Volver a “tiempo de trabajo”
- B. Gire **OK** en el sentido de las agujas del reloj para “Personalizar tiempo de trabajo” y presione brevemente para entrar.
- C. Gire **OK** en el sentido de las agujas del reloj para seleccionar el día de la semana y presione brevemente.
- D. Luego presione **OK** para entrar en la configuración.
- E. Gire **OK** en el sentido de las agujas del reloj para activar “Programa #1*”. Presione **OK** brevemente para confirmar.
- F. Luego gire **OK** en el sentido de las agujas del reloj para seleccionar tiempo de inicio “hora/minuto” y presione brevemente para entrar en la configuración. El número seleccionado parpadeará.
- G. Gire **OK** para seleccionar el tiempo de inicio que desea que su LANDROID corte en un día particular y presione brevemente para confirmar. Utilice el mismo método para completar el tiempo de detención.
- H. Después de eso, gire **OK** en el sentido de las agujas del reloj y presione brevemente para entrar en la configuración de “corte fronterizo”.
- I. Gire **OK** para elegir si activa “corte fronterizo” o no y presione brevemente para confirmar.
- J. Si desea establecer “Programa #2*”, utilice el mismo método anterior.
- K. Presione **S** y utilice el mismo método para configurar tiempo de trabajo en otros días hábiles.



* Se puede establecer dos programas en un día.

4. Ajuste de tiempo de trabajo

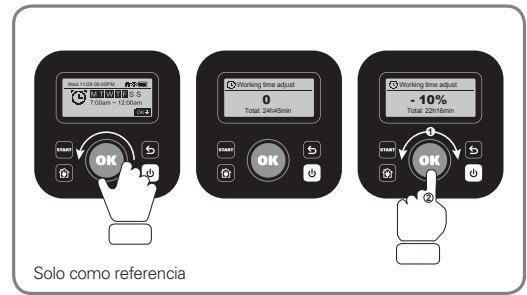
Puede ajustar rápidamente el tiempo de trabajo de la semana. El incremento / decremento de tiempo se asignará uniformemente a los días hábiles requeridos

A. Vuelva a la interfaz principal.

B. Gire **OK** en el sentido contrario a las agujas del reloj para activar el ajuste de tiempo de trabajo.

NOTA: El tiempo total se basa en el tiempo de trabajo personalizado y se puede ajustar por gradiente de 10%.

C. Luego gire **OK** para ajustar y presione brevemente para confirmar.

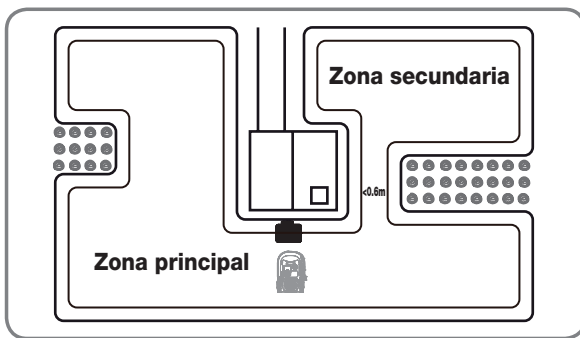


Solo como referencia

5. Ajuste de corte único

Si su césped tiene múltiples áreas conectadas entre sí por un corredor, debe tener al menos 0,6m de ancho. Si el corredor es más estrecho que 0,6m, será difícil para el Landroid viajar entre los dos. En este caso, se recomienda establecer el área principal y el área secundaria en el césped. La línea de límite se debe colocar como se muestra.

Para la configuración de trabajo flexible (si volver a la estación de carga y si se debe cortar el borde), especialmente cuando Landroid está en el área secundaria donde no hay estación de carga, es necesario el ajuste de corte único.



- Coloque Landroid dentro del cable de límite.
- Cuando su Landroid está conectado con la base de carga.

A. Vuelva a la interfaz principal.

B. Presione **START** tres veces rápidamente.

C. Gire **OK** en el sentido de las agujas del reloj para seleccionar "home presente?-SÍ/NO" (Si la estación de carga está en la zona o no) y presione brevemente para entrar en la configuración. La palabra seleccionada parpadeará y presione brevemente para confirmar.

D. Luego gire **OK** para seleccionar "PERMITIR corte de borde-Sí/no" (si se realiza corte de borde o no) y presione brevemente. La palabra seleccionada parpadeará y presione brevemente para confirmar. Luego utilice el mismo método para completar "tiempo de trabajo".

E. Y gire **OK** en el sentido de las agujas del reloj para seleccionar "Iniciar" y presione brevemente para empezar la siega.

Nota: Landroid volverá a la estación de carga para cargar cuando la batería se agote o el tiempo de corte haya terminado. Si Landroid está completamente cargado y el tiempo establecido no ha terminado, Landroid continuará segar hasta que termine el tiempo.

- Cuando su Landroid no está conectado con la estación de carga.

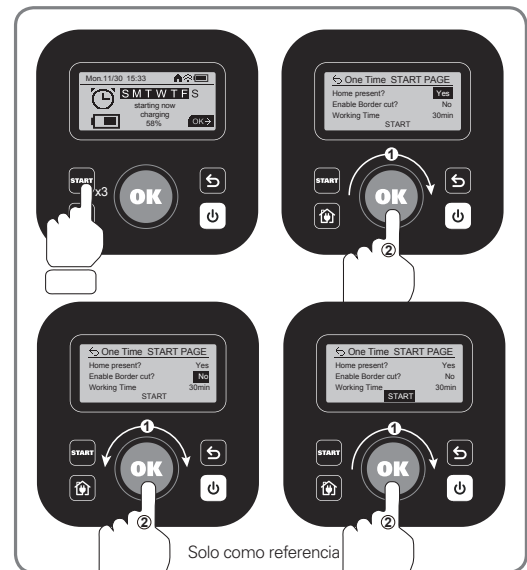
A. Vuelva a la interfaz principal.

B. Presione **START** tres veces rápidamente.

C. Gire **OK** para seleccionar "home presente?-SÍ/NO" (Si la estación de carga está en la zona o no) y presione brevemente para entrar en la configuración. La palabra seleccionada parpadeará y presione brevemente para confirmar. Utilice el mismo método para completar "tiempo de trabajo".

D. Y luego gire **OK** en el sentido de las agujas del reloj para seleccionar "Iniciar" y presione brevemente para empezar la siega.

Nota: Cuando su Landroid está en el área principal (el lugar donde la estación de carga está normalmente), volverá a la estación de carga para cargar cuando la batería se agote o el tiempo de corte haya terminado. Si Landroid está completamente cargado y el tiempo establecido no ha terminado, Landroid continuará segar hasta que termine el tiempo. Cuando su Landroid está en el área secundaria, dejará de segar y permanecer en el lugar cuando la batería se agote, el tiempo de corte se termine, Landroid se encuentra con algunos problemas (por ejemplo, chocar, etc.) o se presiona "PARAR" de forma manual.



Solo como referencia



Solo como referencia

CONEXIÓN DEL LANDROID A INTERNET

Por qué conectar el Landroid

Su Landroid se puede conectar por Wi-Fi o Bluetooth. Landroid es un dispositivo IoT (siglas en inglés del Internet de las cosas). Para aprovechar todas las funciones del Landroid y mantenerlo siempre actualizado con el software más reciente, debe estar conectado a Internet a través de su red wifi

ANTES DE EMPEZAR

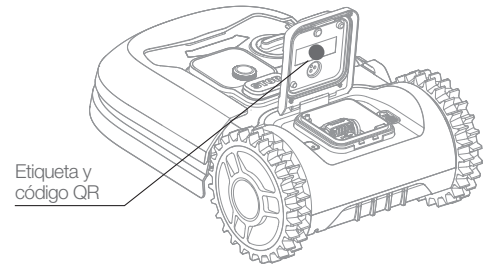
1. Descargue la aplicación

Descargue primero la aplicación gratuita Landroid. Puede conseguirla en las tiendas de aplicaciones de Android o Apple



2. Asegúrese de tener a mano lo siguiente:

- A. La contraseña de su red wifi / Función de Bluetooth en su móvil
 - B. El número de serie del Landroid: puede encontrarlo en la etiqueta bajo la cubierta trasera de la máquina.
- Si no quiere tener que escribir los 20 dígitos del número de serie, escanee el código QR con la cámara del smartphone.



3. Compruebe las configuraciones

Conexión de Wi-Fi

- A. El Landroid funciona con una señal wifi de 2,4 GHz.
 - B. Asegúrese de que el Landroid esté en el mismo entorno de rúter que su smartphone
 - C. Asegúrese de que la distancia entre el Landroid, el smartphone y el rúter sea lo más corta posible durante la conexión.
- Consejo: Cuando el Landroid llegue a un área del césped con poca o ninguna señal wifi, las instrucciones que se envíen desde la aplicación solo se ejecutarán cuando el Landroid vuelva a un área con buena intensidad de señal.

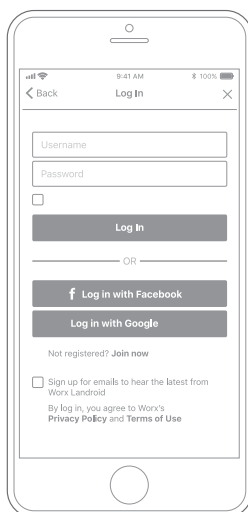
Conexión de Bluetooth

- A. Función de Bluetooth en su móvil está activada.
- B. Asegúrese de que su Landroid está dentro de la distancia conectable.

CÓMO CONECTAR EL LANDROID A INTERNET

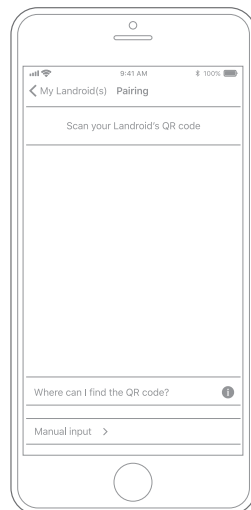
Abra la aplicación y siga estas instrucciones.

1. Registre su cuenta.



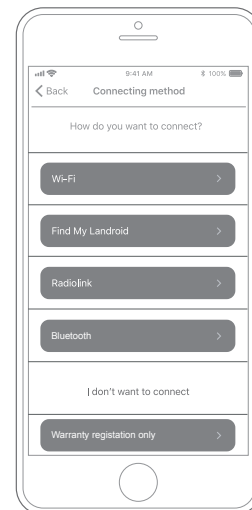
Registre su cuenta escribiendo su nombre de usuario y su contraseña, o iniciando sesión a través de Facebook o Google.

2. Introduzca el número de serie del



Registre su Landroid introduciendo el número de serie manualmente o escaneando el código QR.

3. Elija la conexión



Seleccionar la red de Wi-Fi o Bluetooth o puede conectar Landroid a través de Encontrar Mi Landroid o Opciones de Enlace de Radio

Si su wifi no cubre todo el césped, quizá le convenga adquirir la opción Landroid RadioLink, que amplía el alcance de la señal hasta 300m.

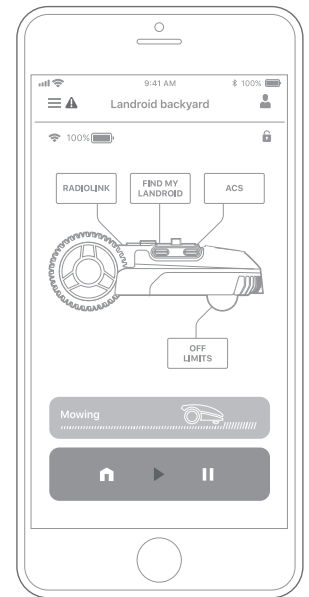
También puede comprar la opción Find My Landroid que, además de conectar el Landroid a Internet mediante la tarjeta SIM que tiene integrada, también le permite buscarlo en caso de que se lo roben.

APLICACIÓN LANDROID NO ES UN SIMPLE MANDO A DISTANCIA

No piense que simplemente es un mando a distancia. La aplicación es parte integrante del ecosistema avanzado del Worx Landroid basada en la computación en la nube y en la inteligencia artificial.

Gracias a la función de realidad aumentada de la aplicación, puede medir el área exacta de su césped. Es tan fácil como darse un paseo por sus bordes.

Una multitud de factores influyen en la tasa de crecimiento de su césped. Landroid los combina todos para determinar el mejor tratamiento para su césped. Día tras día



⚠ WAARSCHUWING! Lees alle instructies zorgvuldig door. Indien u zich niet aan alle onderstaande instructies houdt, kan dat leiden tot een elektrische schok, brand en/of ernstig letsel. Lees de instructies aandachtig voor een veilig gebruik van de machine. Bewaar alle waarschuwingen en instructies voor latere naslag.

HOE LANDROID WERKT

In de volgende sectie willen we u graag helpen om beter te begrijpen hoe Landroid werkt. Landroid is een autonome machine, die zelfstandig kan werken. Hij weet wanneer hij naar zijn laadstation moet gaan, hij kan voelen wanneer het regent, kan zichzelf stoppen als hij een probleem voelt en weet te stoppen, terug te trekken en zich om te draaien als hij tegen iets stoot dat zijn pad blokkeert. Om een ongeval te voorkomen, zal Landroid ook automatisch stoppen met het roteren van de messchijf als hij van de grond wordt opgetild.

Zichzelf opladen



Wanneer uw Landroid moet worden opgeladen, stopt hij met maaien en volgt hij de grensdraad tegen de klok in terug naar zijn laadstation. Zodra het laden is voltooid, zal Landroid automatisch het maaien hervatten of in het laadstation blijven, afhankelijk van het maaischema.

Grenscontrole



Landroid is geprogrammeerd om op Maandag en Vrijdag twee keer per week gras langs de omtrek van het gazon te knippen. Als u deze instelling wilt wijzigen, kunt u deze wijzigen via uw smartphone of via het bedieningspaneel in de menu's "Werktijd-Werktijd aanpassen". Zie gedetailleerde instructies aan het einde van deze handleiding.

Regensensor



Landroid is 100% weerbestendig en blij om buiten te zijn. Maar nat gras maaien geeft niet de beste afwerking of het beste resultaat. Landroid is uitgerust met een regensensor die regen detecteert en Landroid vertelt om te stoppen met maaien en terug te gaan naar het laadstation.

Regenvertragingstijd



Na een regenbui begint Landroid opnieuw wanneer het gras niet meer nat is. De standaard Regenvertragingstijd is 180 minuten. U kunt de instelling van de Regenvertragingstijd wijzigen via de Landroid App

In extremer weer



Bescherm Landroid in het geval van onweer door hem los te koppelen van het laadstation, hem los te koppelen van de grensdraad, en ervoor zorgen dat Landroid niet mag opladen. In de winter en vooral bij zeer koud weer en sneeuw raden wij u aan uw Landroid binnen op te slaan. In sommige landen bieden wij een winter service van uw Landroid aan zodat deze klaar is voor het voorjaar. Neem contact op met uw dealer of kijk online voor meer informatie.

Geen gemaaid gras meer verzamelen

////////////////////////////////////

Het dagelijks maaien van Landroid levert zeer korte maaisels op die niet geharkt hoeven te worden. Deze maaisel is een perfecte organische voeding voor uw gazon. Regelmatig maaien verhoogt de dichtheid van de grasbladen en voorkomt effectief de verspreiding van onkruid.

Maai tot de rand

////////////////////////////////////

Het speciale, schuine mes komt zo dicht mogelijk bij de rand van uw gazon, waardoor u weinig of geen snoeiwerk hoeft doen.

Snijhoogte

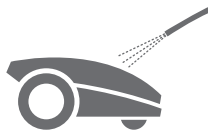
////////////////////////////////////

Voordat u uw Landroid voor de eerste keer start, zorg ervoor dat uw gras niet langer is dan 10 cm. Indien langer, gebruik dan een gewone maaier om het te maaien voordat u Landroid gaat gebruiken. Als u de hoogte van uw gras drastisch wilt verkorten, is het aan te raden om dit geleidelijk te doen, door de maaihoogte in stappen aan te passen.

Veiligheid & PIN-bescherming

////////////////////////////////////

Om te voorkomen dat onbevoegden hem kunnen gebruiken, is Landroid beschermd door een PIN-code die u eenvoudig kunt instellen.

Facile da pulire

////////////////////////////////////

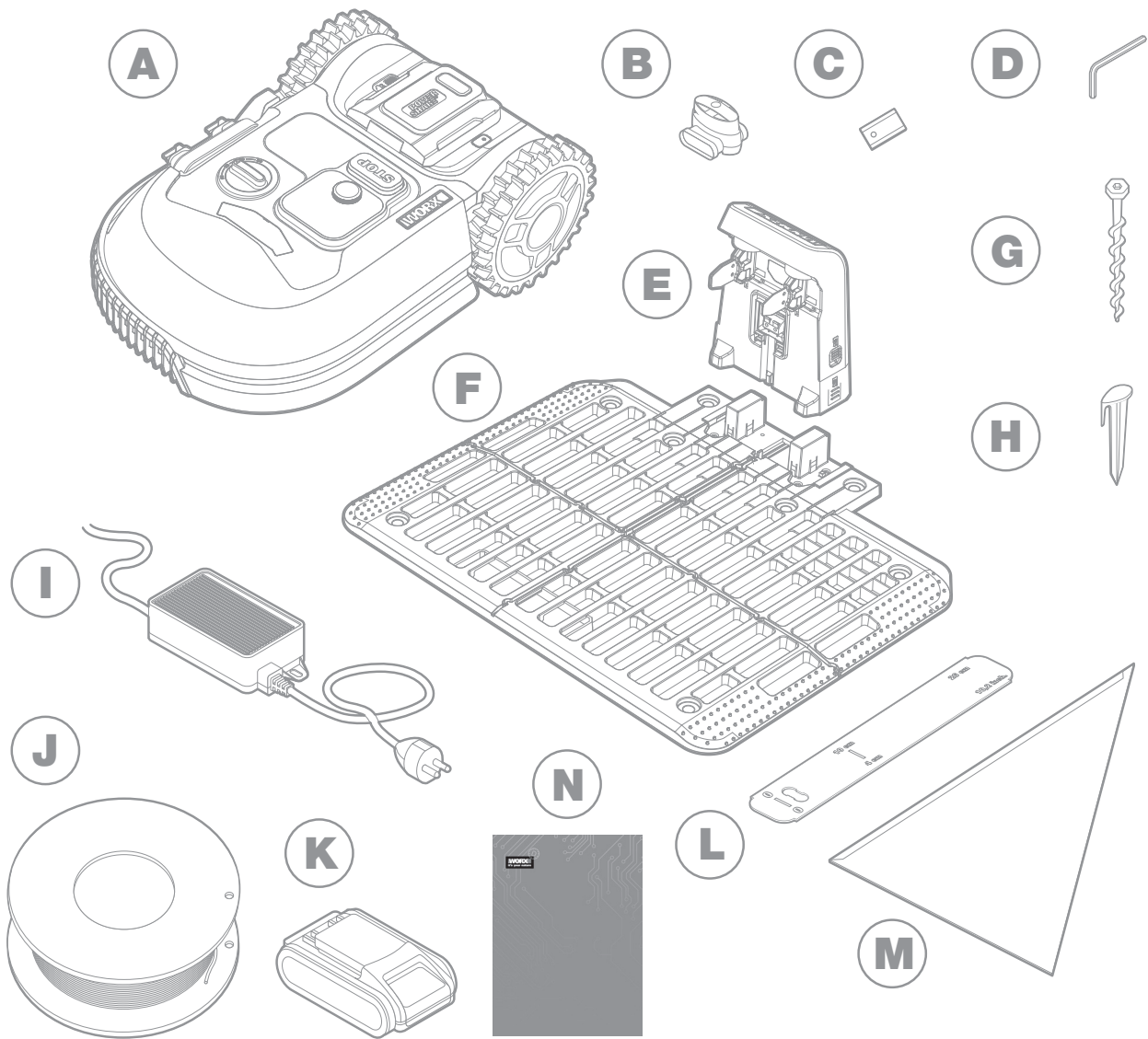
Grazie alla sua funzione impermeabile IPX5, Landroid si sbarazza della polvere, del manto erboso e dell'ambiente ostile incontrati durante il lavoro. Migliora l'aspetto e le prestazioni di Landroid.

Tracker a terra

////////////////////////////////////

Con il nuovo design del sollevamento automatico, le sue lame possono essere sollevate automaticamente per fornire una maggiore distanza. Ciò aiuta Landroid a evitare determinate situazioni che potrebbero bloccare altri tosaerba.

WAT BEVINDT ZICH IN DE BOX



De afbeelding dient alleen ter referentie.

- A** Worx Landroid

- B** Draad reparatie connectoren

- C** Sets met reservemesjes

- D** Inbussleutel

- E** Laadstation

- F** Laadstation

- G** Schroeven

- H** Kabelpinnen

- I** Voeding

- J** Grensdraad

- K** 20V batterij

- L** Grensdraadafstandsmeters

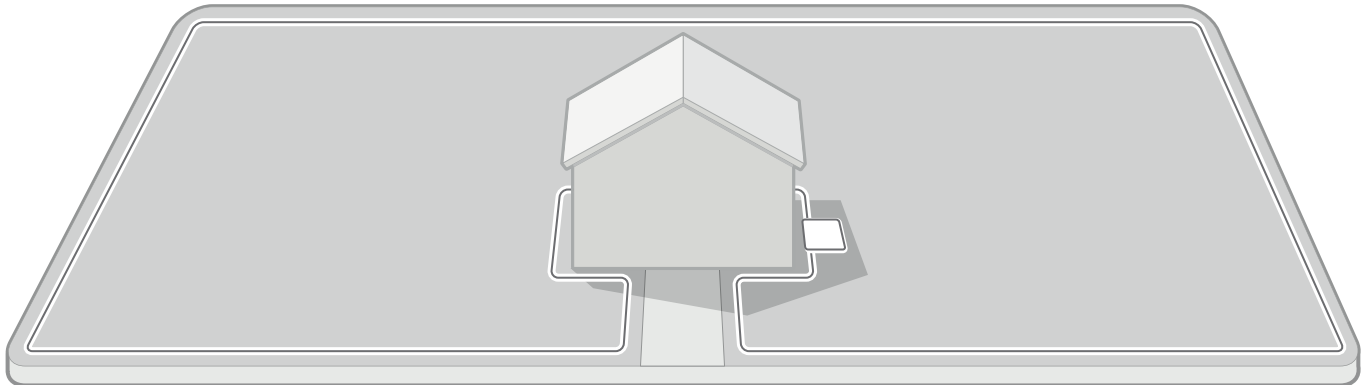
- M** Bertelsen ruler

- N** Handboek

INSTALLATIE

Het installeren van uw Worx Landroid is gemakkelijker als u deze instructies zorgvuldig volgt. Uiteindelijk gaat het erom het laadstation te installeren en de grensdraad rondom uw gazon te leggen. In aanvulling op deze handleiding kunt u gebruik maken van de Aan de slag gids die in de box zit, en de uitgebreide videotutorials op ons YouTube-kanaal* bekijken.

* Deze informatie wordt voor uw gemak verstrekt, maar vervangt niet de gebruiksaanwijzing en de veiligheidsinstructies die moeten worden gelezen en begrepen.



Patrouilleer uw gazon om de installatie te plannen

Installeer het laadstation

Leg de grens draad

Verbind laad station met AC

Schakel Landroid in. Testen en klaar om te maaien

VOOR ELKE MINUUT DIE U AAN DE PLANNING BESTEEDT, BESPAART U 10 MINUTEN AAN DE UITVOERING ERVAN

Het installeren van Landroid is nog gemakkelijker als u een duidelijk idee heeft van wat u moet doen. Een goede planning helpt u ook om te voorkomen dat u fouten maakt of de installatie opnieuw moet uitvoeren als het eenmaal klaar is.

1. Aan de oppervlakte of begraven?

De grensdraad van Landroid is ontworpen om aan het oppervlak van uw gazon te blijven. Bijna onzichtbaar vanaf de eerste dag, zal het binnen een paar weken in de grond worden opgeslokt. Als u de draad wilt begraven, is het aan te raden om deze eerst vast te pinnen en de installatie succesvol te testen door Landroid over de omtrek te laten lopen. Zo kunt u eenvoudig alles controleren en, indien nodig, de lay-out wijzigen voordat u de draad begraaft. Begraaf de draad niet meer dan enkele centimeters onder het maaiveld, zodat de draad een goed signaal afgeeft.

2. Plan voor het laadstation

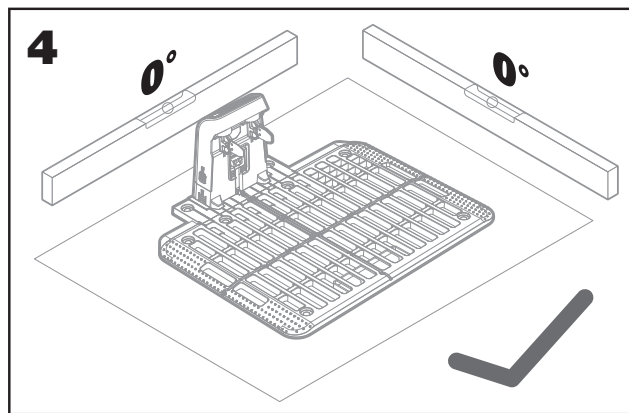
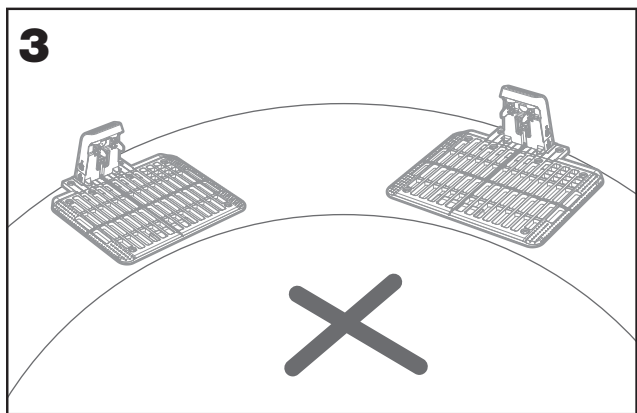
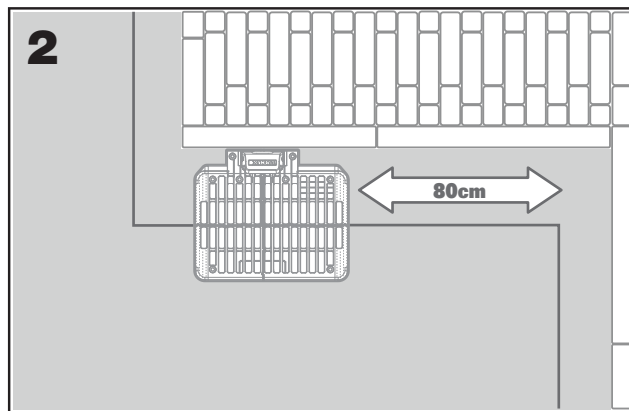
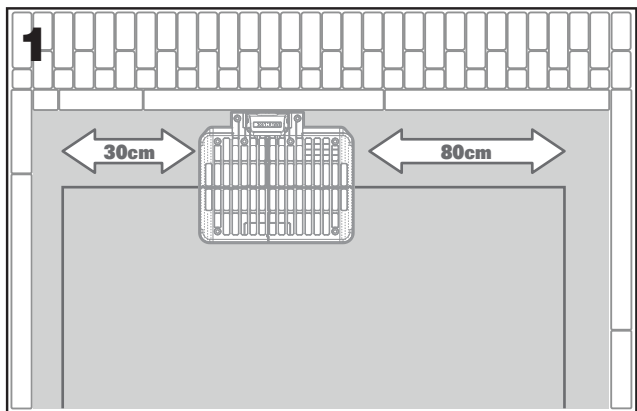
Het laadstation, bestaande uit een laadpaal en een laadbodem, is waar uw Landroid naartoe gaat om de batterij op te laden. Het is ook de parkeerplaats waar hij tussen de ene maaibeurt en de volgende.

Zoek de juiste positie, rekening houdend met:

- A. Het moet van stroom worden voorzien, dus het mag niet meer dan 10 meter van een stopcontact verwijderd zijn
- B. Kies indien mogelijk een schaduwrijke positie, omdat batterijen en opladers niet van oververhitting houden
- C. Het station moet op een vlak terrein zitten om effectief aan te leggen
- D. Vermijd plaatsen in de buurt van irrigatiesproeiers

U kunt het laadstation op uw gazon of op een harde oppervlak zoals een loopbrug plaatsen, op voorwaarde dat het gazon en het harde oppervlak zich op dezelfde hoogte bevinden (geen treden).

Om het station binnen te komen, heeft Landroid minstens een recht pad van 80 cm voor zich nodig. Aan de uitgang heeft hij minstens een pad van 30 cm nodig voor een bocht naar links (fig. 1). Als de bocht naar rechts is, is er geen recht pad nodig (fig. 2).

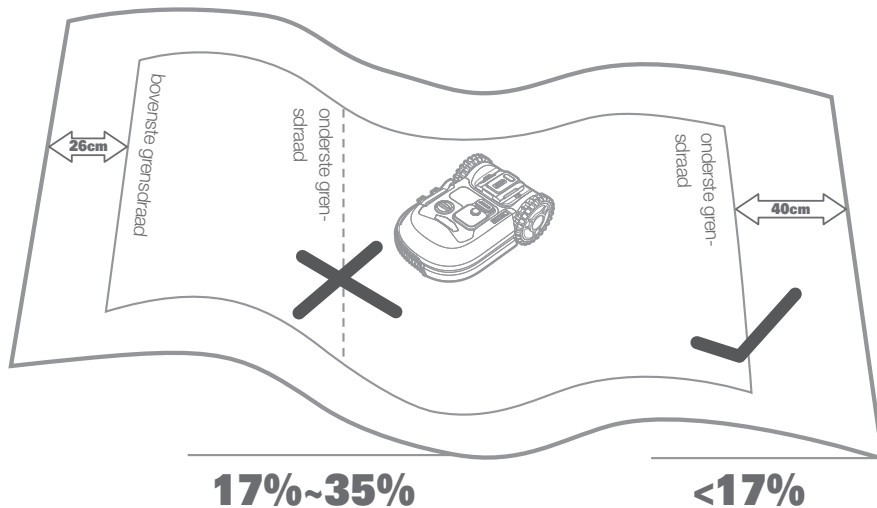


3. Checklist laadstation:

- A. binnen bereik van het AC-net
- B. in de schaduw
- C. recht pad bij de ingang; indien nodig recht pad bij de uitgang
- D. vlak terrein
- E. geen irrigatiesproeiers in de buurt

4. Plaatsing van de grensdraad op een helling

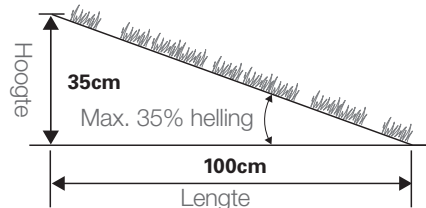
De bovenste grensdraad mag NIET op een helling worden geplaatst die steiler is dan 35% (20°)*. De onderste grensdraad mag NIET op een helling worden geplaatst die steiler is dan 17% (10°) en moet ten minste 40 cm van een obstakel worden geplaatst als hij op een helling wordt geplaatst van 17%.



***De helling van uw gazon berekenen:**

De helling is:

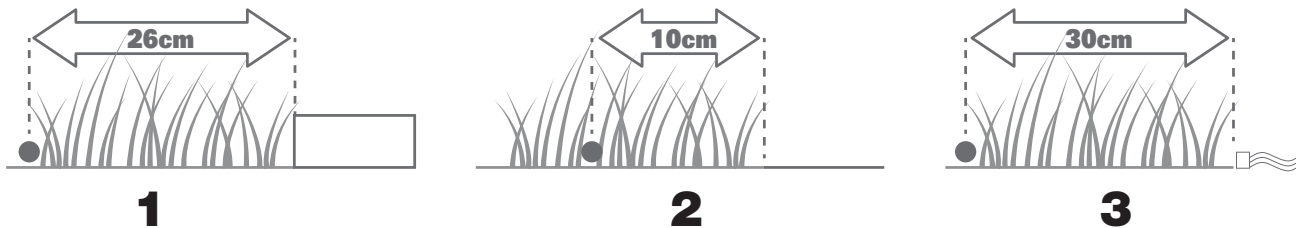
$$\frac{35\text{cm (Hoogte)}}{100\text{cm (Lengte)}} = 35\% \text{ (Helling)}$$



5. Plan voor de grensdraad

De draad moet op een bepaalde afstand van de rand van het gazon worden geplaatst. Deze afstand verandert afhankelijk van wat er aan de andere kant van de rand is. Verschillende delen van uw gazon kunnen verschillende scenario's begrenzen:

- A. Als de rand van het gazon aan een trede grenst: houd de draad 26 cm van de rand. (afbeelding 1)
- B. Als de rand van het gazon aan een pad op dezelfde hoogte grenst: houd de draad 10 cm van de rand. (afbeelding 2)
- C. Als de rand van het gazon aan een zwembad grenst, plaats de draad dan op ten minste 30 cm afstand van de rand. (afbeelding 3)



Als de rand van uw gazon grenst aan het gazon van buren die ook een robotmaaier gebruiken, leg uw draad dan op ten minste 1 meter afstand van de draad van uw buren om mogelijke storingen te voorkomen..

UW GAZON PATROUILLEREN

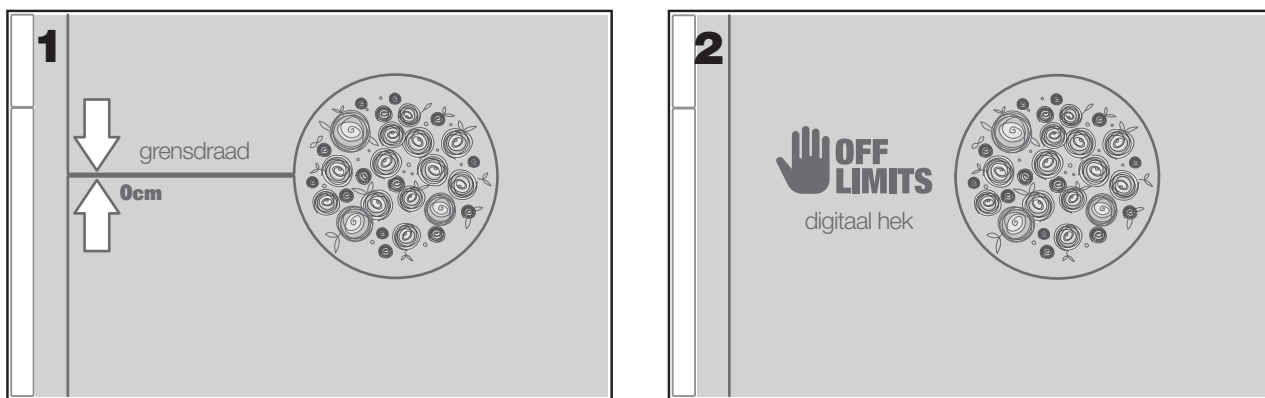
Landroid is ontworpen om de meest complexe gazons te beheren. Voer een visuele inspectie van uw gazon uit zodat u voorbereid bent op een probleemloze installatie van de grensdraad.

1. Identificeer verboden gebieden

U wilt niet dat uw robotmaaier de bloemen maait, in een waterpartij duikt of boomwortels versnipperd die uit de grond komen. Lokaliseer deze gebieden en omring ze met grensdraad om te voorkomen dat Landroid er toegang toe heeft.

De grensdraad is een enkele lus die aan beide uiteinden is aangesloten op het laadstation, dus u zult met de draad moeten vertrekken van de rand, het gebied dat u wilt beschermen omringen en dan de draad terugbrengen naar de rand, zoals hier in fig.1 is afgebeeld. Als de te omringen gebieden ver van de rand van uw gazon verwijderd zijn, of als u meerdere gebieden en boompdaken te beschermen heeft, is deze traditionele methode tijdrovend.

Een geweldig alternatief is om de Landroid's Off-Limits optie te kopen. Hiermee omringt u eenvoudigweg verboden gebieden met de Off-Limits digitale afrastering, die niet op de grenslus hoeft te worden aangesloten (fig. 2). De Off-Limits digitale omheining is ook zeer geschikt om seizoensgebonden materiaal (bijv. een trampoline) te beschermen of om nieuwe veranderingen in de lay-out van uw gazon te beschermen zonder de grensdraad te moeten bewerken.



2. Obstakels identificeren

Landroid's stootsensor kan solide obstakels zoals bomen, meubels en dergelijke, die niet met draad omgeven hoeven te zijn, beheren. Als uw gazon verscheidene hindernissen en bomen dicht bij elkaar heeft, adviseren wij u om de optie van Landroid ACSte te kopen, een intelligente ultrasonische zelfsturing waarmee uw Landroid om obstakels heen rijdt in plaats van erop te botsen.

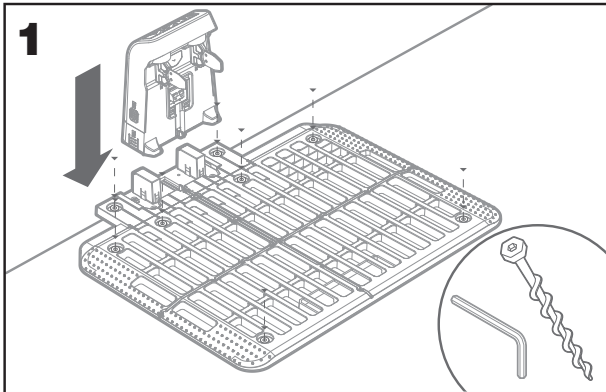
DOE NU UW MOUWEN OP. ALS HET KLAAR IS, IS HET KLAAR!

Nu u de installatie tot in het kleinste detail hebt gepland, bent u klaar om actie te ondernemen. Voordat u begint, kunt u uw oude maaier voor de laatste keer gebruiken om uw gazon op te ruimen en de installatie te vergemakkelijken.

1. Bevestig het laadstation op de geselecteerde locatie

A. Plaats de oplaadstapel in het oplaadstation. Gebruik vervolgens de meegeleverde inbussleutel om het laadstation met de meegeleverde schroeven op de grond te bevestigen (Fig. 1)

B. Als u de basis op een harde ondergrond plaatst, bevestigt u deze met plug- en schroefverbindingen (niet meegeleverd).

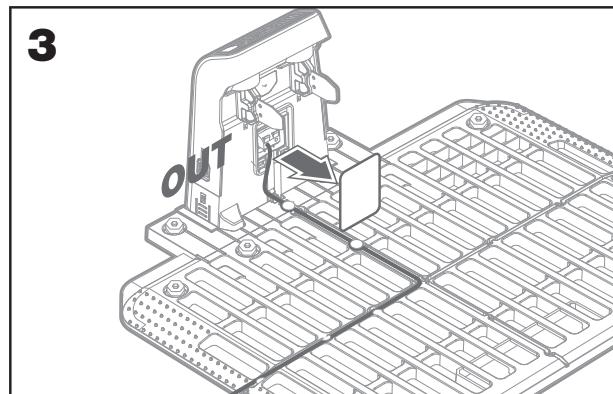
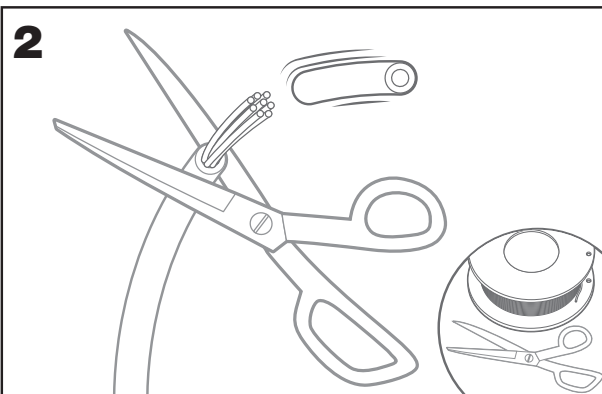


2. Sluit één uiteinde van de grensdraad aan op het laadstation.

A. Strip het uiteinde van de draad met een schaar (fig. 2).

B. Open de kunststof deur en steek het gestripte uiteinde in de rode linker klem (fig. 3).

C. Steek de draad door de geleiding van de basis, zoals in fig. 3.



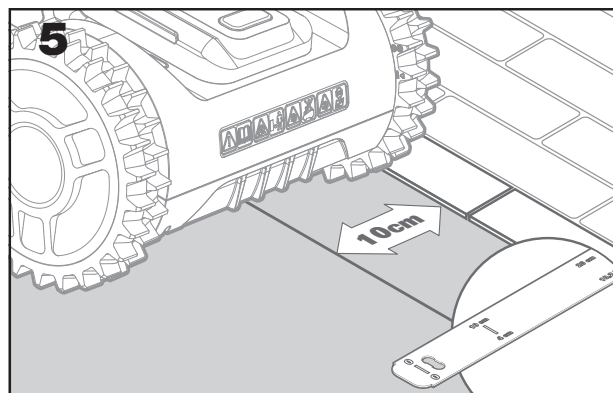
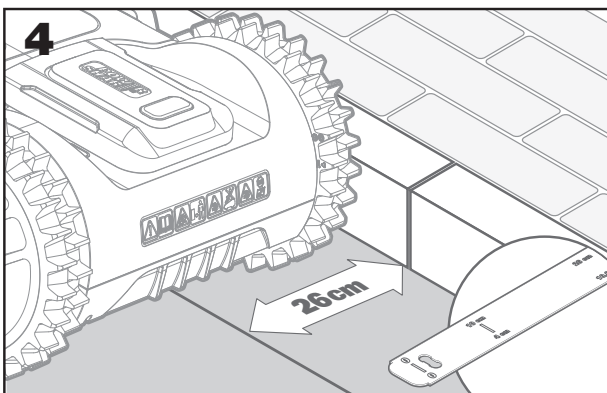
3. Leg de grensdraad rond uw gazon.

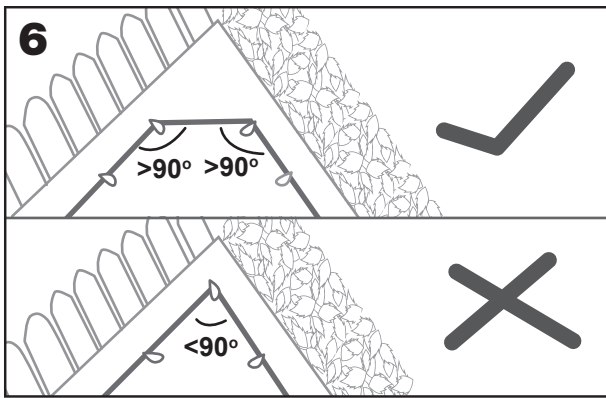
A. Gebruik het meegeleverde meetinstrument om de afstandsdraad op de rand te zetten.

B. Als er een opstapje aan de rand van uw gazon is, houdt u de draad op 26 cm afstand (fig. 4).

C. Als er geen opstapje is, houdt u de draad op 10 cm afstand van de rand (fig. 5).

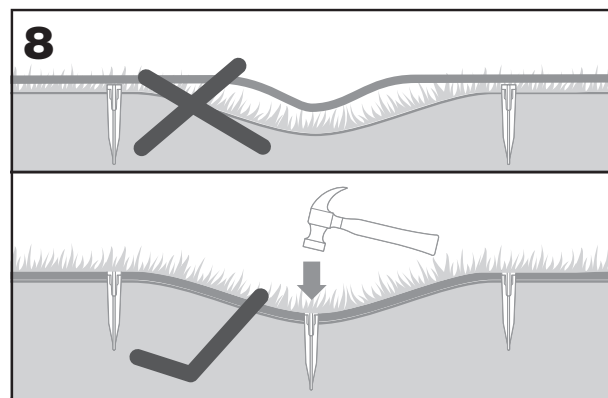
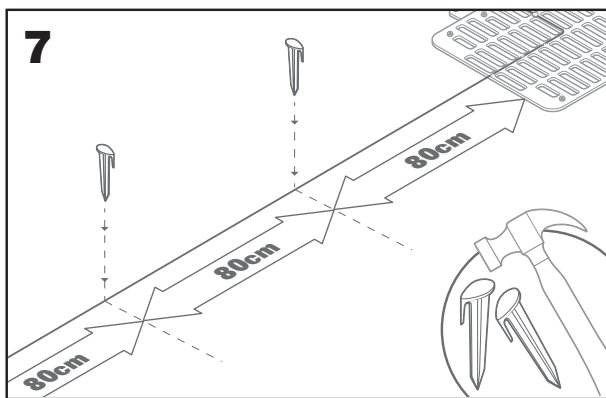
D. Zorg ervoor dat de grenslijn op elke hoek volledig recht is en dat de hoek van de grenslijn groter is dan 90 °.





4. Bevestig de draad aan de grond met behulp van pinnen.

- A. Plaats de pinnen op ongeveer 80 cm van elkaar (fig. 7).
- B. Zorg ervoor dat de draad altijd dicht bij de grond ligt (fig.8).

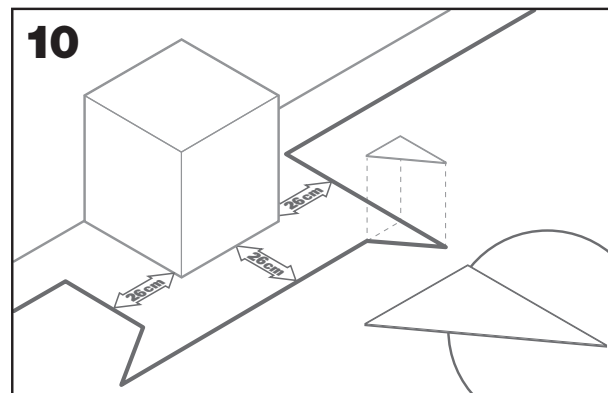
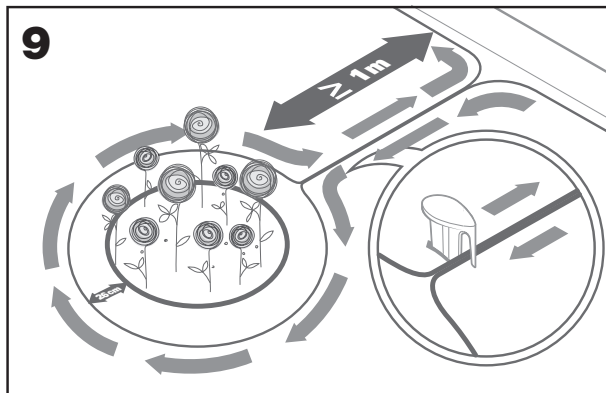


5. Leg eilandenperimeter, indien nodig

- A. Bescherm perken, vijvers, boomwortels en andere gebieden door ze met de begrenzingsdraad te omringen.
- B. Verlaat de rand in een rechte hoek om het te beschermen gebied te bereiken.
- C. Omsingel het gebied met de draad, met een afstand van 26 cm, totdat u het eiland sluit.
- D. Leg de draad altijd met de klok mee. Als dit niet gebeurt, zal de maaier het eiland binnenrijden
- E. Keer terug naar de rand van het gazon en volg hetzelfde pad

6. Bertelsen-methode: hoe maakt u perfecte 90°-hoeken met hoeken die naar het gazon gericht zijn?

Als er hoeken van 90 graden zijn die naar de binnenkant van uw gazon wijzen, gebruik dan de Bertensen liniaal van Bertensen om Landroid te helpen bij het maken van perfecte bochten (en om het risico te vermijden dat Landroid tijdens deze manoeuvre een obstakel op de rand van het gazon raakt).



7. De lus sluiten

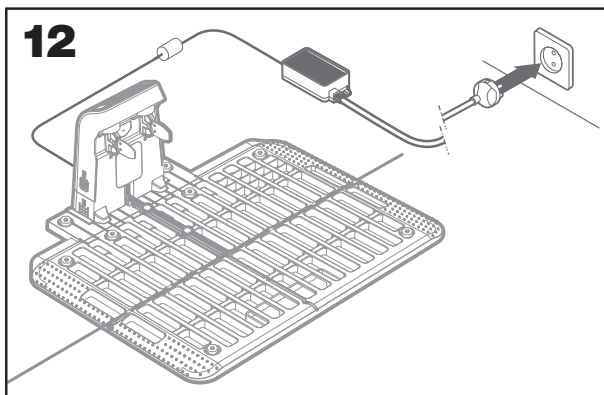
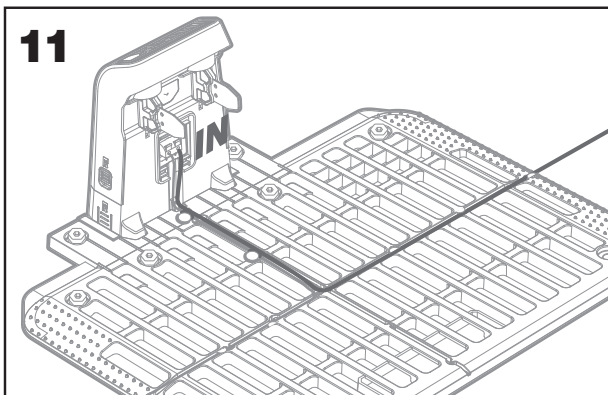
Nadat u de draad aan de omtrek van uw gazon hebt gelegd, komt u terug bij het laadstation.

- A. Steek de draad door de geleider in de basis, tot aan de klem (fig. 11).
- B. Knip de overtollige draad af en strip het uiteinde met een schaar.
- C. Steek het gestripte uiteinde in de zwarte rechterklem.

8. Laatste stappen

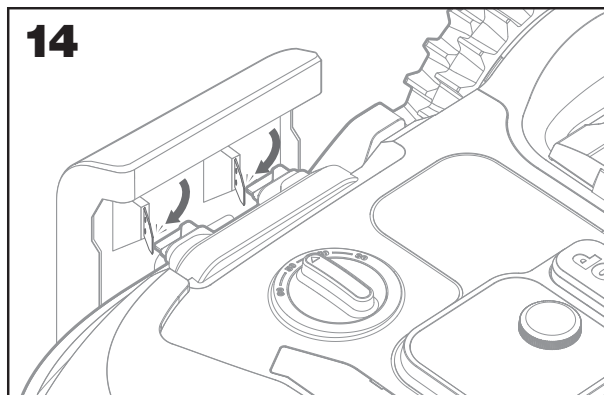
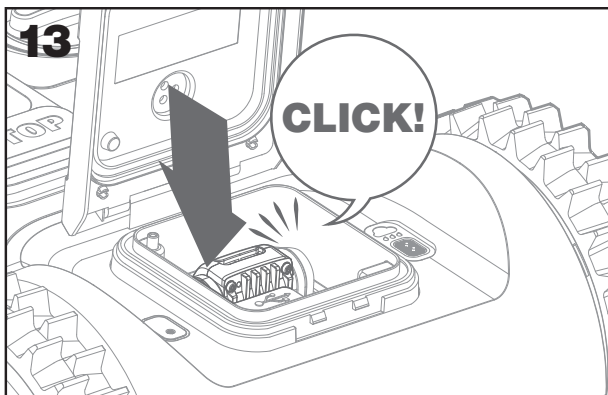
Het saaie deel is voorbij! Er zijn nog maar een paar stappen te gaan:

- A. Sluit het laadstation aan op het stopcontact (fig. 12)
- B. Als alles in orde is, zal de LED groen oplichten
- C. Als er een probleem in de lus is, zoals gebroken of een niet goed vastgeklemde draad of draaduiteinden, zal de LED rood worden. Controleer of alles goed is en zie de FAQ-sessie als het probleem blijft bestaan



D. Open de achterkant van Landroid en plaats de PowerShare-batterij in de sleuf tot deze vastklikt (fig. 13).

E. Laad de Landroid op door hem stevig op het laadstation te plaatsen (afb. 14). Het ledlampje gaat groen knipperen. Zodra de accu volledig is opgeladen, brandt het ledlampje constant groen.



F. Laat Landroid de batterij even opladen. Tijdens het opladen wilt u misschien een welverdiende pauze nemen: maak kennis met de volgende instructies en verbind Landroid met uw Wifi-netwerk.

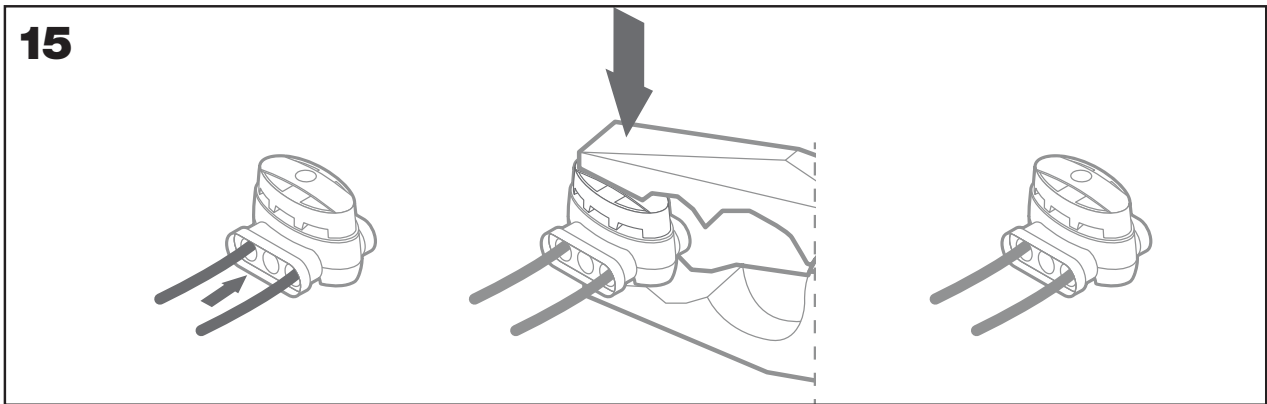
9. Aansluiten van de grensdraad

De Landroid box bevat twee kleine, waterdichte grensdraadaansluitingen. Ze kunnen worden gebruikt voor het volgende:

- A. Wanneer uw gazon een zeer lange omtrek heeft en u extra grensdraad nodig heeft om de installatie te voltooien. Gelieve niet meer dan 300m grensdraad te gebruiken: dit is de maximale lengte van de grensdraadomtrek
- B. Wanneer de grensdraad per ongeluk is doorgesneden en u deze moet repareren
- C. Wanneer u besluit om uw tuin in de toekomst te bewerken en u de oorspronkelijke grensdraadinstallatie moet aanpassen

De connectoren zijn waterdicht en zorgen voor een optimale elektrische aansluiting (fig. 15)..

- A. Steek beide uiteinden van de draad in twee van de drie gaten van de connector; het is niet nodig om de draden te strippen
- B. Steek de draden volledig in de connector totdat beide draadeinden zichtbaar zijn aan de andere kant van de connector
- C. Druk de connector stevig aan met behulp van een tang



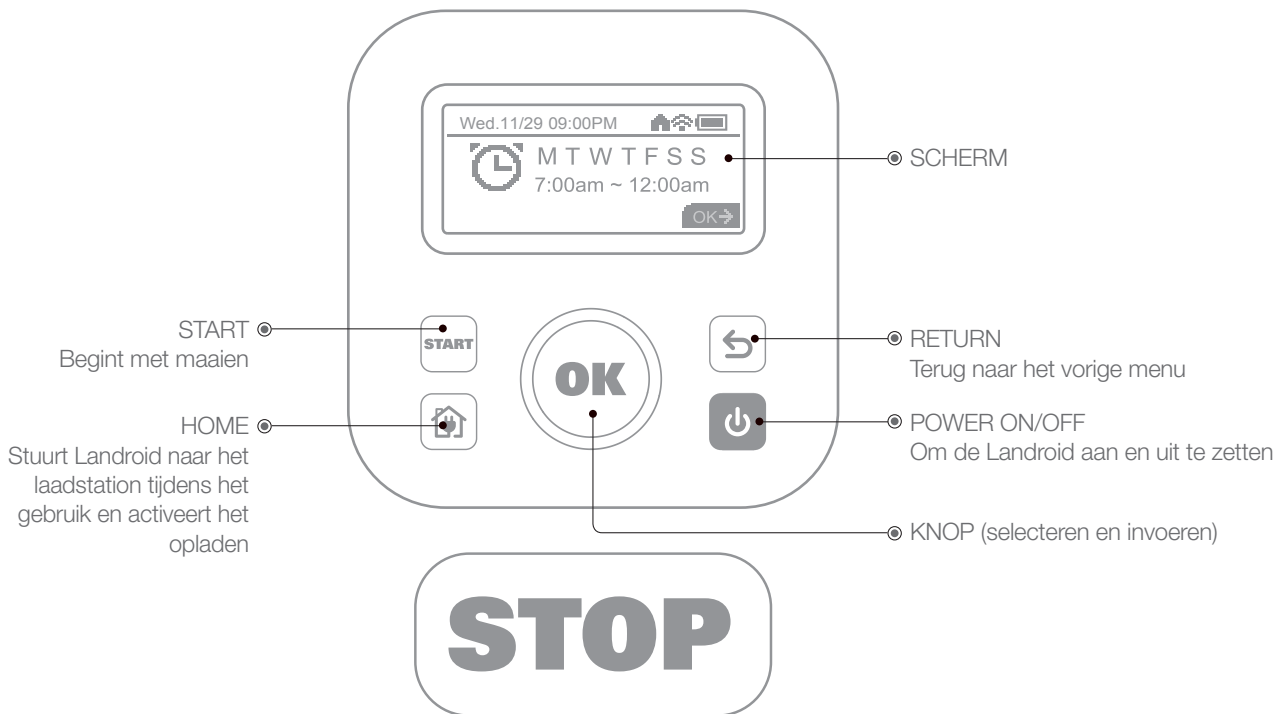
⚠ Let op: het is niet aan te raden om de grensdraad eenvoudigweg te verbinden met isolatietape of een schroefklemmenblok te gebruiken voor de aansluiting. Een gebroken circuit kan na verloop van tijd ontstaan omdat bodemvocht de draad kan oxideren.

NU VOOR HET SPANNENDE GEDEELTE! START LANDROID VOOR DE EERSTE KEER.

Raak vertrouwd met het bedieningspaneel

Het bedieningspaneel van Landroid biedt de belangrijkste functies in een minimalistisch design.

Voor geavanceerde functies biedt de gratis Landroid-app verdere opties in een rijkere interface: uw smartphone.



Start Landroid

A. Plaats Landroid binnen de grensdraad

B. Druk op de **POWER ON/OFF** tot het scherm oplicht. Voer vervolgens de pincode in

C. Draai met de klok mee de **OK** om het getal te selecteren en druk kort op **OK** om één voor één te bevestigen. Op het scherm verschijnt 'PIN code OK'

D. Druk op de **START** en druk dan op **OK**. Landroid zal beginnen met maaien

E. U kunt Landroid op elk moment stoppen door op de **STOP** te drukken

F. Om Landroid naar het laadstation te sturen, drukt u op de **HOME** en vervolgens op **OK**.

Opmerking: de standaard pincode is 0000

LANDROID BEDIENINGSPANEEL

Geavanceerde functies via de ingebouwde interface

Ondanks het minimalistische ontwerp kunt u verschillende geavanceerde functies instellen via het ingebouwde bedieningspaneel.

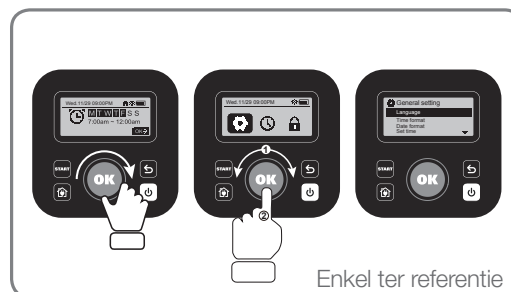
Echter, voor de beste gebruikerservaring raden wij u aan om de gratis Landroid app te gebruiken om dit te doen, gezien de veel rijkere en intuïtievare interface.

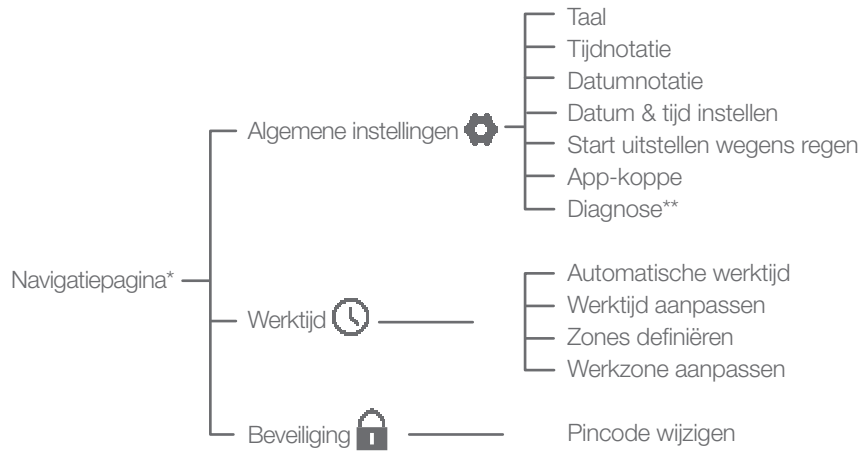
1. Opgericht

A. Draai met de klok mee **OK** om de instelling te openen

B. Draai vervolgens **OK** om "Algemene instellingen" / "Werkuren" / "Beveiliging" te selecteren, kort indrukken om te openen.

C. Gebruik dezelfde methode om vervolgmaatregelen te nemen.



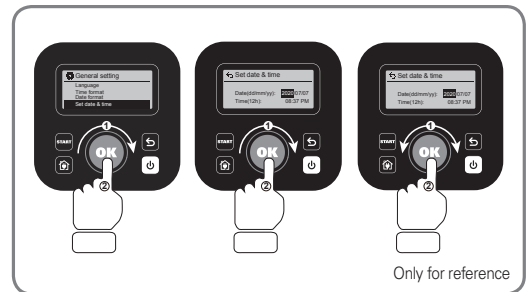


* Voortdurend updaten volgens de softwareversie.

** Alleen voor service na verkoop

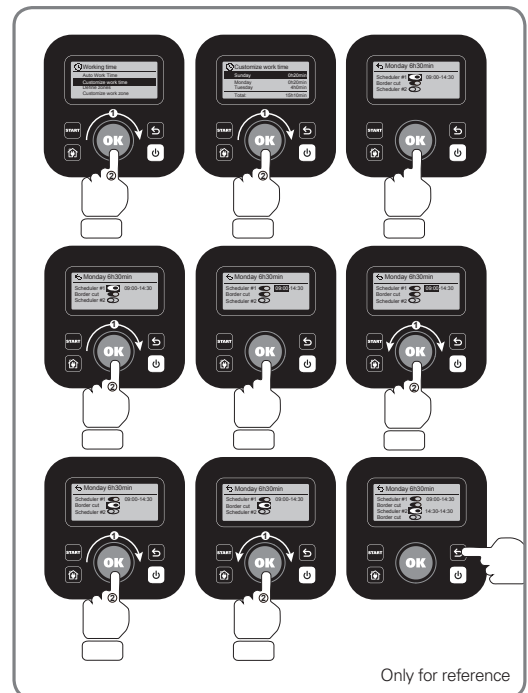
2. Stel datum & Tijd

- A. Terug naar "Algemene instellingen"
- B. Draai met de klok mee **OK** "Stel datum & Tijd", en druk dan kort om te openen.
- C. Draai vervolgens met de klok mee **OK** Selecteer "Dag", en Kort indrukken. Het geselecteerde nummer knippert.
- D. Volgende, Draai **OK** om het nummer te selecteren en druk kort om te bevestigen. Gebruik dezelfde methode om "Maand / Jaar / Tijd" te voltooien.



3. Aangepaste werktijden

- A. Terug naar "werktijden"
- B. Rechtsom draaien **OK** Ga naar "Aangepaste werkuren", en druk dan kort om in te voeren.
- C. Rechtsom draaien **OK** Selecteer de dag van de week en druk kort op.
- D. Druk vervolgens op **OK** om de instellingen te openen.
- E. Draai met de klok mee **OK** om "Schema # 1" te activeren. Druk kort op **OK** om te bevestigen.
- F. Vervolgens rotatie met de klok mee **OK** Selecteer de starttijd "uur / minuut", en druk dan kort op om de instelling in te voeren. Het geselecteerde nummer knippert.
- G. Draai **OK** om de starttijd te selecteren die LANDROID moet trimmen op een specifieke datum, en druk vervolgens kort om te bevestigen. Gebruik dezelfde methode om de stoptijd te voltooien.
- H. Daarna rechtsom draaien **OK** en kort indrukken om de instelling "frame snijden" te openen.
- I. Draai **OK** om te kiezen of je "Border Cut" wilt activeren, en druk dan kort om te bevestigen.
- J. Als u "Schema# 2" wilt instellen, gebruik dan dezelfde methode als hierboven.
- K. Druk op **↶**, en gebruik dezelfde methode om de werktijden van andere werkdagen in te stellen.

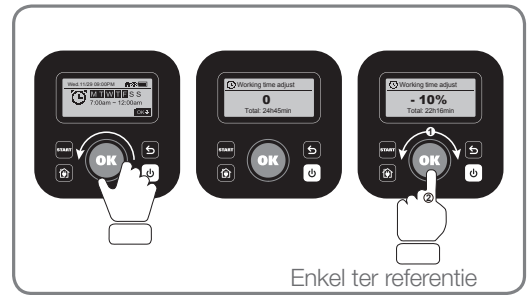


* Er kunnen twee schema's op één dag worden ingesteld.

4. Aanpassing van de werktijden

Je kunt de werktijden van de week snel aanpassen. De tijdsverhoging / -verlaging wordt gelijkmatig over de benodigde werkdagen verdeeld

- A. Keer terug naar het hoofdscherm.
- B. Linksom draaien **(OK)** Om werktijdaanpassing te activeren.
Opmerking: De totale tijd is gebaseerd op de aangepaste werktijd en kan worden aangepast in een helling van 10%.
- C. Draai vervolgens **(OK)** om aan te passen en druk kort om te bevestigen.

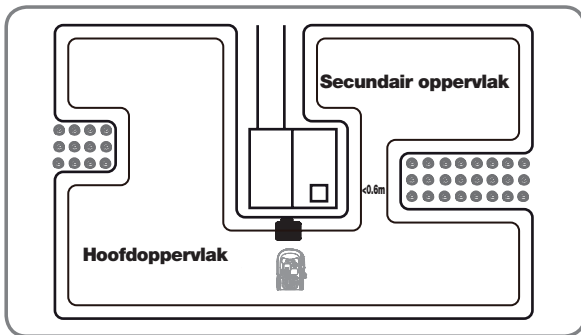


Enkel ter referentie

5. Single cut-instelling

Als uw gazon meerdere gebieden heeft die met elkaar verbonden zijn door gangen, moet de breedte minimaal 0,6 m zijn. Als de gang smaller is dan 0,6 m, zal Landroid moeite hebben om ertussen te bewegen. In dit geval wordt aanbevolen om primaire en secundaire gebieden op het gazon in te richten. De grenslijn moet worden geplaatst zoals weergegeven.

Voor flexibele werkinstellingen (of terug moet naar het laadstation en of het frame moet worden afgesneden), vooral wanneer Landroid zich in een hulpgebied zonder laadstation bevindt, Tijden verkort.

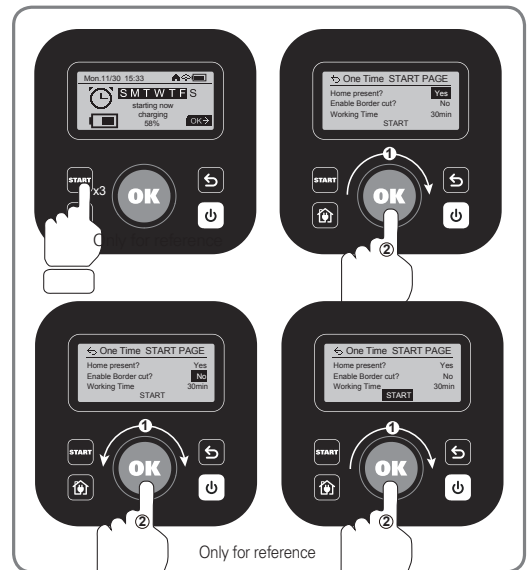


- Plaats Landroid binnen de grenslijn.
- Wanneer uw Landroid is aangesloten op het oplaadstation .
 - A. Keer terug naar het hoofdscherm.
 - B. Druk driemaal snel op **(START)** .
 - C. Rechtsom draaien **(OK)** Selecteer "Thuisgeschenk?- JA / NEE " (ongeacht laadstation of het zich in dit gebied bevindt), druk vervolgens kort om de instelling in te voeren. Het geselecteerde woord knippert en druk vervolgens kort om te bevestigen.
 - D. Roteer vervolgens **(OK)** Selecteer "Randknippen inschakelen ja / nee" (of u randknippen wilt uitvoeren), en druk dan kort op. Het geselecteerde woord knippert en druk vervolgens kort om te bevestigen. Gebruik dan dezelfde methode om de "werktijd" te voltooien.
 - E. Draai vervolgens met de klok mee **(OK)** Selecteer "Start", druk dan kort om te beginnen met trimmen

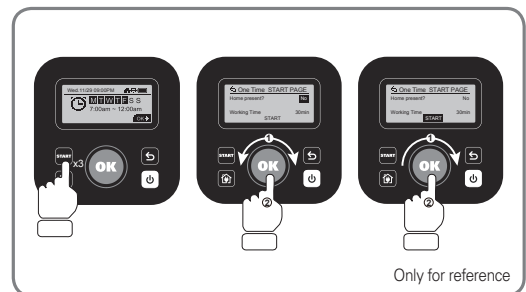
Let op : Landroid keert terug naar Laadstation Om de batterij op te laden Opraken of bezuinigen tijd is om. Als Landroid volledig is opgeladen en de ingestelde tijd nog niet is verstreken, zal Landroid doorgaan met maaien tot het einde van de tijd.

- Wanneer uw Landroid is losgekoppeld van Laadstation ,
 - A. Keer terug naar het hoofdscherm.
 - B. Druk drie keer snel op **(START)** .
 - C. Draaien **(OK)** Selecteer "Thuisgeschenk? - JA / NEE " (Laadstation Of het in dit gebied is) en druk kort op Instellingen invoeren . Het geselecteerde woord knippert en druk vervolgens kort om te bevestigen. Gebruik dezelfde methode om "werktijd" te voltooien.
 - D. Draai vervolgens met de klok mee **(OK)** Selecteer "Start", druk dan kort om te beginnen met trimmen

Opmerking: wanneer uw Landroid zich in het hoofdgedeelte bevindt (meestal in laadstation), keert hij terug laadstation wordt gebruikt om op te laden wanneer de batterij leeg is of de snijtijd voorbij is. Als Landroid volledig is opgeladen en de ingestelde tijd nog niet is verstreken, zal Landroid doorgaan met maaien tot het einde van de tijd. Wanneer uw Landroid zich in het secundaire gebied bevindt, stopt hij met maaien en blijft hij waar hij is wanneer de batterij leeg is, de maaitijd is aangebroken, Landroid enkele problemen tegenkomt (bijvoorbeeld crash en andere) of druk handmatig op "STOP" .



Only for reference



Only for reference

LANDROID MET HET INTERNET VERBINDEN

Waarom Landroid aansluiten

Uw Landroid kan worden verbonden via Wi-Fi of Bluetooth.

Landroid is een IoT (Internet of Things) apparaat. Om volledige functionaliteit uit uw Landroid te krijgen en deze altijd up-to-date te houden met de nieuwste software, moet het verbonden zijn met het internet via uw Wifi netwerk,



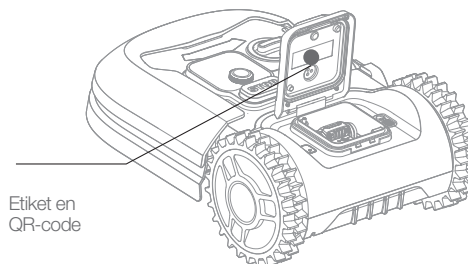
VOORDAT UW BEGINT

1. Download de app

Download eerst de gratis Landroid app. Verkrijg het van Android of Apple app stores

2. Zorg ervoor dat u hebt:

- A. Uw Wifi-netwerkwachtwoord / Bluetooth-functie op smartphone
- B. Landroid-serienummer: het staat op het etiket onder de motorkap van de machine. Als u het 20-cijferige serienummer niet wilt typen, voer het dan in door de QR-code te scannen met de camera van uw smartphone.



Etiket en QR-code

3. Controleer uw instellingen

Wi-Fi-verbinding

- A. Landroid werkt met 2.4GHz Wifi-sigitaal
 - B. Zorg ervoor dat uw Landroid zich in dezelfde router bevindt als uw smartphone
 - C. Zorg ervoor dat de afstand tussen uw Landroid, smartphone en uw router zo dicht mogelijk bij elkaar ligt tijdens de verbinding
- Tip:** wanneer Landroid zich naar een gedeelte van uw gazon verplaatst met een slecht of geen Wifi-sigitaal, worden de instructies van de app alleen uitgevoerd wanneer Landroid terugkeert naar een gebied met een goed sigitaal.

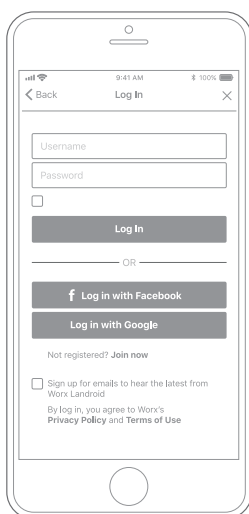
Bluetooth-verbinding

- A. De Bluetooth-functie op de smartphone is geactiveerd.
- B. Zorg ervoor dat uw Landroid zich binnen de aansluitbare afstand bevindt.

HOE LANDROID TE VERBINDEN MET HET INTERNET

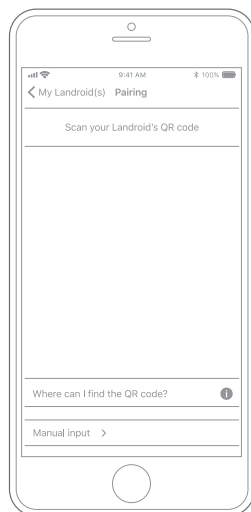
Start de app en volg deze instructies.

1. Registreer uw account



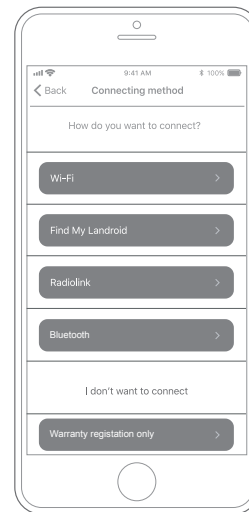
Registreer uw account door uw gebruikersnaam en wachtwoord in te voeren of in te loggen via Facebook of Google.

2. Voer het Landroid serienummer in



Registreer uw Landroid door het serienummer handmatig in te voeren of door de QR-code te scannen.

3. Kies uw verbinding



Kies uw Wi-Fi-netwerk of Bluetooth, of u kunt verbinding maken met Landroid door te zoeken naar mijn Landroid of RadioLink-optie.

Als uw Wifi niet het hele gazon indekt, kunt u overwegen om de Landroid RadioLink optie aan te schaffen, die het sigitaal uitbreidt tot 300m afstand.

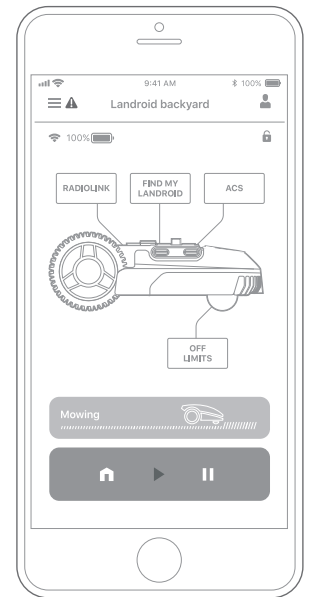
Als alternatief kunt u de optie Find My Landroid kopen, waarmee u naast het aansluiten van Landroid op het internet via de ingebouwde SIM-kaart ook de mogelijkheid heeft om het te volgen in het ongelukkige geval dat het gestolen wordt.

LANDROID APP GEEN EENVOUDIGE AFSTANDSBEDIENING

Denk niet dat het een afstandsbediening is. De app is een integraal onderdeel van het geavanceerde ecosysteem van Worx Landroid op basis van cloud computing en artificial intelligence.

Dankzij de aangevulde reality-functie van de app kunt u de exacte oppervlakte van uw gazon meten. Het is net zo makkelijk als een wandeling langs de grens.

Er zijn veel factoren die de groeisnelheid van gras beïnvloeden. Landroid combineert ze om de beste behandeling voor uw gazon te bepalen. Dag na dag



⚠ OSTRZEŻENIE: Należy przeczytać wszystkie ostrzeżenia bezpieczeństwa i instrukcje. Nieprzestrzeganie ostrzeżeń i instrukcji może spowodować porażenie prądem, pożar i/lub poważne obrażenia.

Należy dokładnie przeczytać instrukcje dotyczące bezpiecznego użytkowania urządzenia. Zachować wszystkie ostrzeżenia i instrukcje na przyszłość.

JAK DZIAŁA LANDROID

W poniższej sekcji chcielibyśmy pomóc Ci lepiej zrozumieć, jak działa Landroid.

Landroid jest maszyną autonomiczną, zdolną do samodzielnego działania. Wie, kiedy musi udać się do swojej stacji ładowania, może wyczuć, kiedy pada deszcz, może się zatrzymać, jeśli wykryje problem i wie, że musi się zatrzymać, cofnąć i zawrócić po zderzeniu z czymś blokującym jego drogę. Aby uniknąć wypadków, Landroid automatycznie zatrzyma obrót tarczy po podniesieniu z ziemi.

Sam się ładuje



////////////////////////////////////

Gdy Landroid potrzebuje naładowania, zatrzyma koszenie i podążając za przewodem granicznym w kierunku przeciwnym do ruchu wskazówek zegara powróci do stacji ładowania. Po zakończeniu ładowania, Landroid automatycznie wznowi koszenie lub pozostanie w stacji ładowania zgodnie z harmonogramem koszenia.

Zarządzanie granicami



////////////////////////////////////

Landroid jest zaprogramowany do przycinania trawy na obwodzie trawnika dwa razy w tygodniu w Poniedziałki i Piątki. Jeśli chcesz zmienić to ustawienie, możesz je zmodyfikować za pomocą smartfona lub panelu sterowania w menu „Work time-Customise Work time”. Patrz szczegółowe instrukcje na końcu niniejszej instrukcji.

Czujnik deszczu



////////////////////////////////////

Landroid jest w 100% odporny na warunki atmosferyczne i dobrze znosi przebywanie na zewnątrz. Jednakże, koszenie mokrej trawy nie daje najlepszego efektu końcowego. Landroid posiada czujnik deszczu, który wykrywa deszcz i nakazuje Landroidowi przerwać koszenie i wrócić do stacji ładowania.

Opóźnienie z uwagi na deszcz



////////////////////////////////////

Po opadach deszczu, Landroid wznowia pracę, gdy trawa nie jest już mokra. Domyślny czas opóźnienia po deszczu wynosi 180 minut. Ustawienie czasu opóźnienia po deszczu można zmienić za pomocą aplikacji Landroid.

W bardziej ekstremalnych warunkach pogodowych



////////////////////////////////////

W przypadku burzy z piorunami należy chronić Landroida, odłączając stację ładowania, przewód graniczny i upewniając się, że Landroid nie może się ładować. W zimie, a zwłaszcza w przypadku bardzo niskich temperatur i śniegu, zalecamy przechowywanie Landroida w środku. W niektórych krajach oferujemy zimowy serwis Twojego Landroida, aby był gotowy na wiosenny sezon wegetacyjny. Skontaktuj się ze sprzedawcą lub sprawdź online, aby uzyskać więcej informacji.

Koniec ze zbieraniem ścinków trawy



Codzienne koszenie przez Landroida daje bardzo krótkie ścinki, które nie wymagają grabienia. Ścinki te są doskonałym organicznym składnikiem odżywczym dla trawnika. Częste koszenie zwiększa gęstość źdźbeł trawy i skutecznie zapobiega rozmnażaniu się chwastów.

Cięcie przy samej krawędzi



Specjalnie przesunięte ostrze przesuwają się jak najbliżej granicy trawnika, pozostawiając do wycięcia niewiele trawnika lub wcale.

Wysokość cięcia



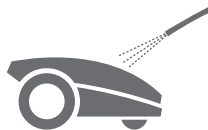
Przed pierwszym uruchomieniem Landroida upewnij się, że trawa nie jest dłuższa niż 10 cm. W przypadku większej długości, użyj zwykłej kosiarki do jej przycięcia przed uruchomieniem Landroida. Jeśli chcesz drastycznie skrócić wysokość swojej trawy, zaleca się, abyś robił to stopniowo, zmieniając wysokość koszenia krok po kroku.

Bezpieczeństwo i ochrona kodem PIN



Aby zapobiec korzystaniu z urządzenia przez osoby nieupoważnione, Landroid jest chroniony kodem PIN, który można łatwo skonfigurować.

Łatwe do czyszczenia



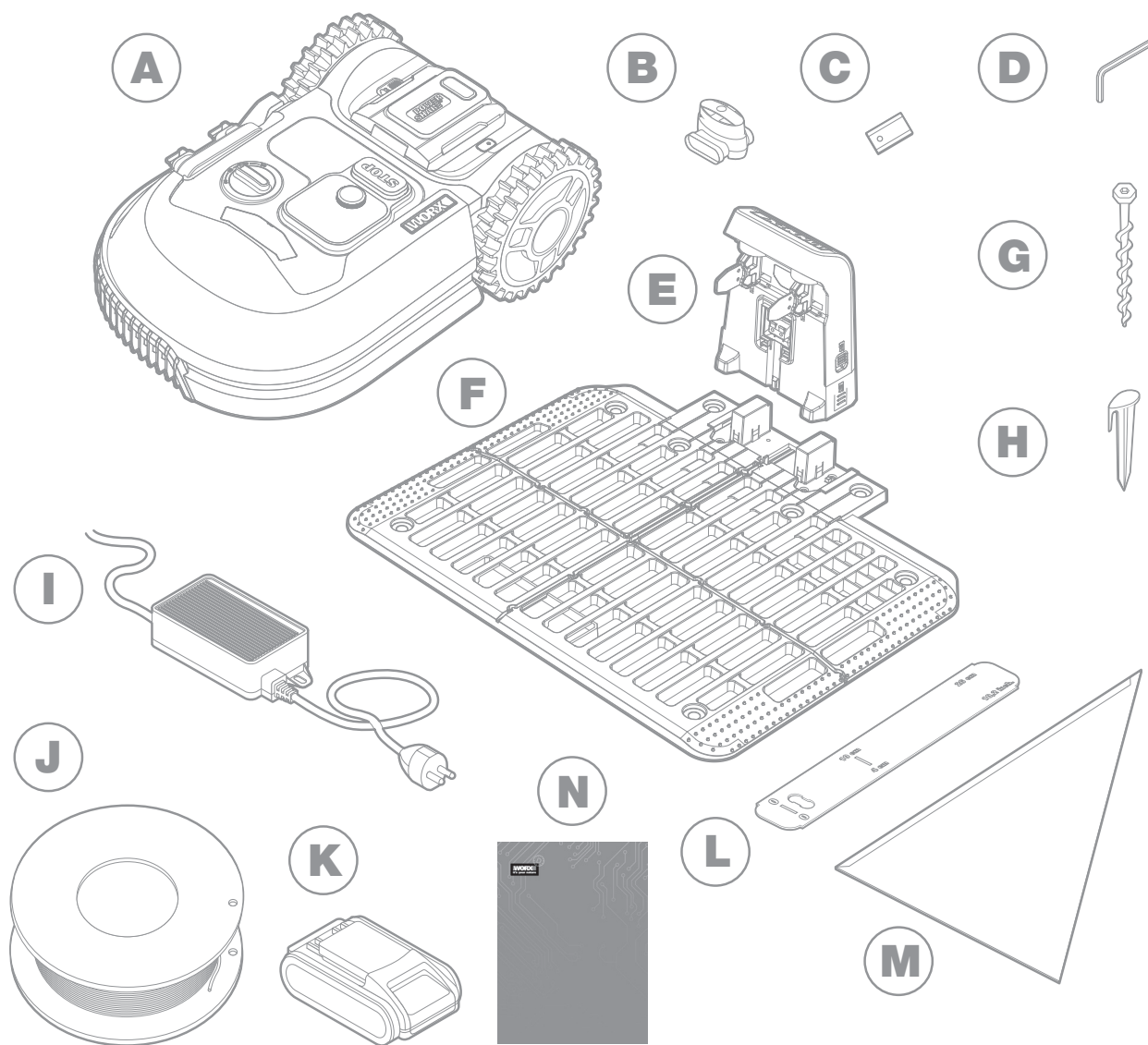
Dzięki wodoodporności IPX5 Landroid usuwa kurz, murawę i trudne warunki napotkane podczas pracy. Popraw wygląd i wydajność Landroida.

Tracker naziemny



Dzięki nowej konstrukcji automatycznego podnoszenia jego ostrza mogą być podnoszone automatycznie, aby zapewnić większy przeświet. Pomaga to Landroidowi uniknąć pewnych sytuacji, które mogłyby blokować inne kosiarki.

ZAWARTOŚĆ PUDEŁKA



Rysunek jedynie dla celów referencyjnych.

A Worx Landroid

B Złącza do naprawy przewodów

C Zestawy ostrzy zapasowych

D Klucz sześciokątny

E Stos ładowania

F Stacja ładowania

G Śrub

H Kołki do przewodu

I Zasilacz

J Przewód graniczny

K Akumulator 20V

L Wzorniki odległościowe przewodu granicznego

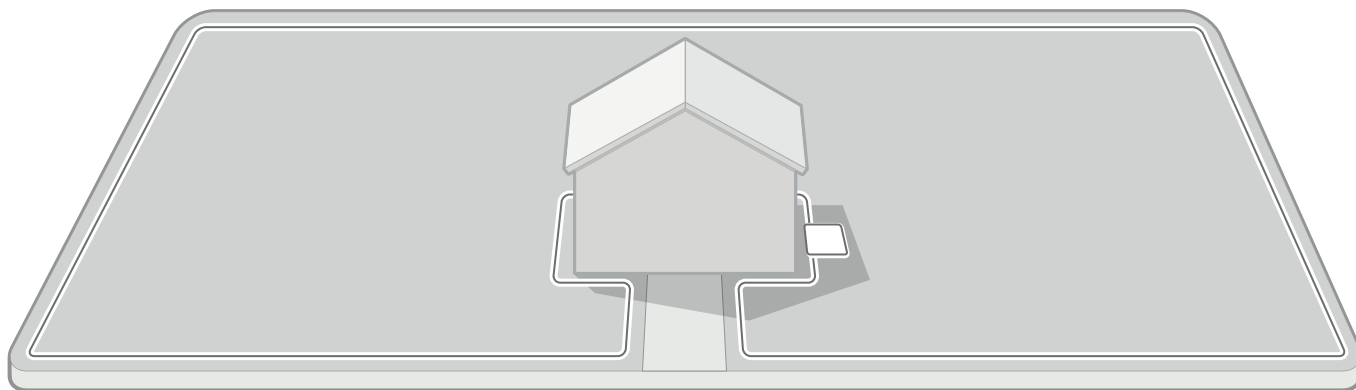
M Kątownik

N Instrukcja

INSTALACJA

Instalacja Landroida Worx jest łatwiejsza, jeśli dokładnie wykonasz te instrukcje. Ostatecznie chodzi o zainstalowanie stacji ładowania i ułożenie przewodu granicznego wokół trawnika. Oprócz niniejszej instrukcji obsługi, można skorzystać z przewodnika instalacji, który znajduje się w pudełku oraz obejrzeć dodatkowe filmy instruktażowe na kanale YouTube*.

* Informacje te są podane dla wygody użytkownika, ale nie zastępują instrukcji obsługi i instrukcji bezpieczeństwa, które należy przeczytać i zrozumieć.



Skontroluj trawnik, aby zaplanować instalację

Zainstaluj stację ładowania

Ułóż graniczny przewód

Podłącz stację ładowania do źródła zasilania AC

Włącz Landroida. Przetestuj i przygotuj się do koszenia

KAŻDA MINUTA SPĘDZONA NA PLANOWANIU OSZCZĘDZA CI 10 MINUT PRACY WYKONAWCZEJ

Instalacja Landroida jest jeszcze łatwiejsza, jeśli masz jasną wizję tego, co musisz zrobić. Prawidłowe planowanie pomoże również uniknąć błędów lub konieczności ponownego wykonania instalacji po jej zakończeniu.

1. Na powierzchni czy wkopany?

Przewód graniczny Landroida jest tak skonstruowany, aby pozostawał na powierzchni trawnika. Prawie niewidoczny od pierwszego dnia, zostanie wchłonięty w glebę w ciągu kilku tygodni. Jeśli chcesz zakopać przewód, zaleca się, aby najpierw go przymocować i sprawdzić, czy instalacja została wykonana prawidłowo, uruchamiając Landroida na obwodzie. Pozwala to na łatwe sprawdzenie wszystkiego i, jeśli to konieczne, zmianę układu przed zakopaniem przewodu. Zakop przewód nie więcej niż kilka centymetrów poniżej poziomu gruntu, tak aby zapewniał dobry sygnał.

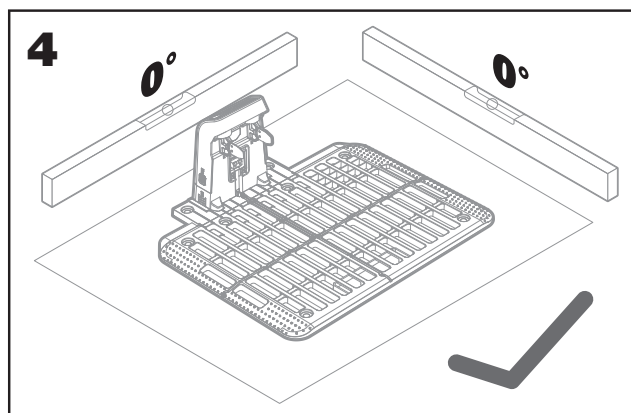
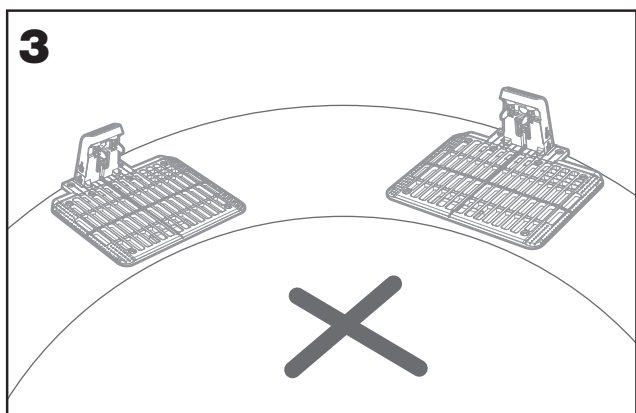
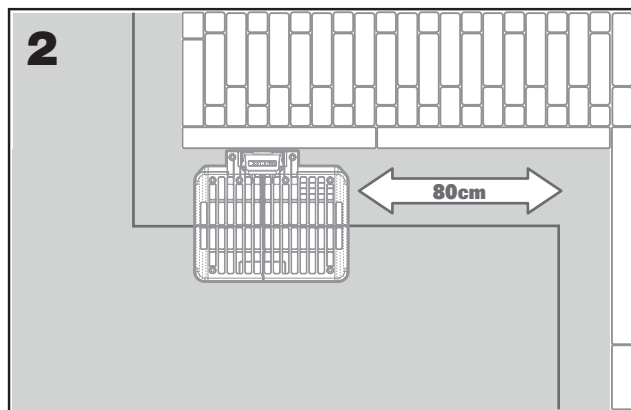
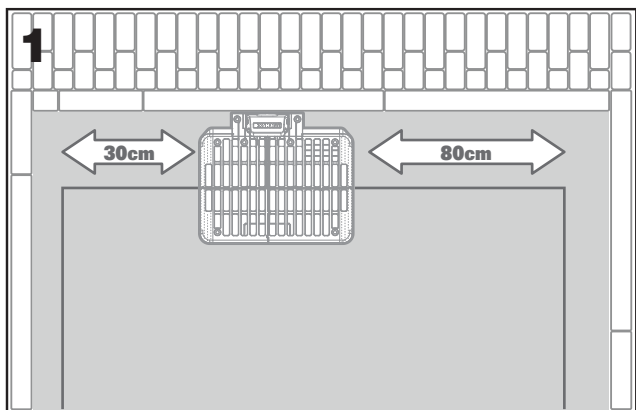
2. Planowanie stacji ładowania

Stacja ładowania, składający się ze stosu załadowczego i podstawy załadowczej, jest miejscem, do którego trafia Landroid, aby naładować akumulator. Jest to również miejsce parkingowe, w którym pozostaje pomiędzy kolejnymi sesjami koszenia. Znajdź dla niej odpowiednią pozycję, pamiętając o tym, że:

- A. Musi być zasilana, więc nie powinna być oddalona od gniazdka sieciowego o więcej niż 10 m.
- B. Jeśli to możliwe, należy wybrać pozycję zacienioną, ponieważ akumulatory i ładowarki nie lubią przegrzania.
- C. Podstawa musi znajdować się na płaskiej powierzchni, aby zapewnić skuteczne dokowanie.
- D. Należy unikać miejsc w pobliżu zraszaczy do nawadniania.

Stację ładującą można umieścić na trawniku lub na twardej powierzchni, takiej jak chodnik, pod warunkiem, że trawnik i twarda powierzchnia znajdują się na tej samej wysokości (bez stopni).

Aby wejść na stację, Landroid potrzebuje co najmniej 80 cm prostej drogi z przodu. Po stronie wylotowej, przed skrzyżowaniem w lewo (rys. 1), potrzebuje co najmniej 30 cm prostej drogi. Jeśli skrzyżowanie jest w prawo, nie potrzeba prostej drogi (rys. 2)



3. Lista kontrolna stacji ładowania:

- A. w zasięgu gniazda sieciowego zasilania AC
- B. w cieniu
- C. prosta droga na wejściu; prosta droga na wyjściu, jeśli to konieczne
- D. płaski teren
- E. brak zraszaczy do nawadniania w pobliżu.

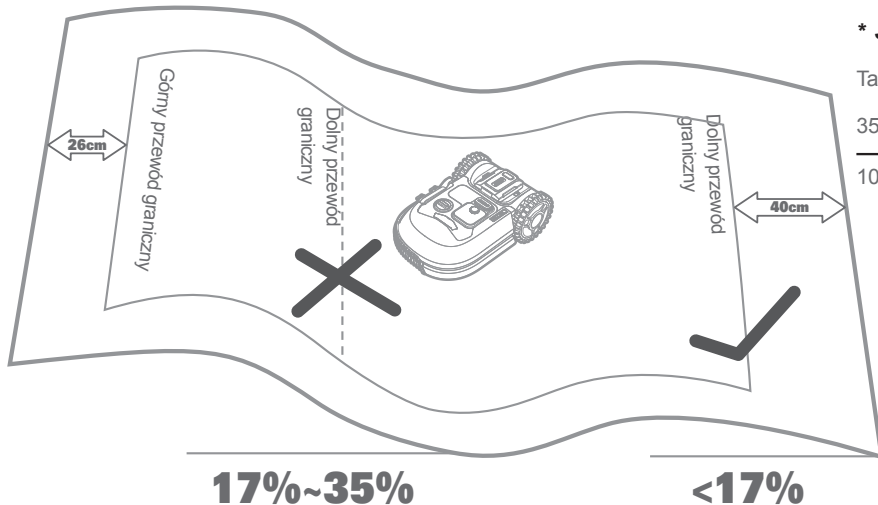
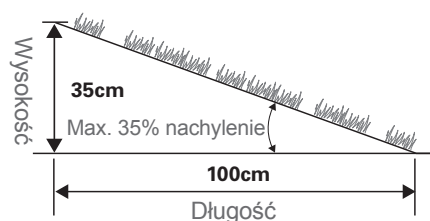
4. Rozmieszczanie przewodu granicznego na pochyłościach

Górny przewód graniczny NIE może być umieszczany na pochyłościach większych niż 35% (20°)*. Dolny przewód graniczny NIE może być umieszczany na pochyłościach większych niż 17% (10°) i powinien być umieszczony przynajmniej 40 cm od przeszkód, jeśli znajduje się na pochyłości wynoszącej 17%.

*** Jak obliczyć kąt nachylenia trawnika?**

Tak więc, kąt nachylenia wynosi:

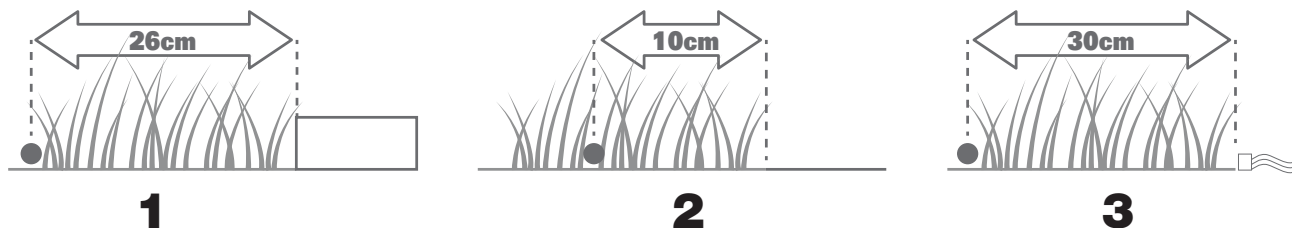
$$\frac{35\text{cm (Wysokość)}}{100\text{cm (Długość)}} = 35\% \text{ (Kąt nachylenia)}$$



5. Planowanie przewodu granicznego

Przewód należy umieścić w pewnej odległości od krawędzi trawnika. Odległość ta zmienia się w zależności od tego, co znajduje się po drugiej stronie krawędzi. Różne części trawnika mogą graniczyć z różnymi elementami:

- A. Jeśli krawędź trawnika graniczy ze stopniem: przewód należy poprowadzić w odległości 26cm od krawędzi. (Ryc. 1)
- B. Jeśli krawędź trawnika graniczy ze ścieżką o tej samej wysokości: przewód należy poprowadzić w odległości 10cm od krawędzi. (Ryc. 2)
- C. Jeśli trawnik przylega do basenu, przewód powinien być umieszczony przynajmniej 30 cm od krawędzi. (Ryc. 3)



Jeśli trawnik przylega do trawnika sąsiada, na którym używana jest zrobotyzowana kosiarka, należy umieścić przewód przynajmniej 1 m od przewodu sąsiada, aby uniknąć zakłóceń.

KONTROLA TRAWNIKA

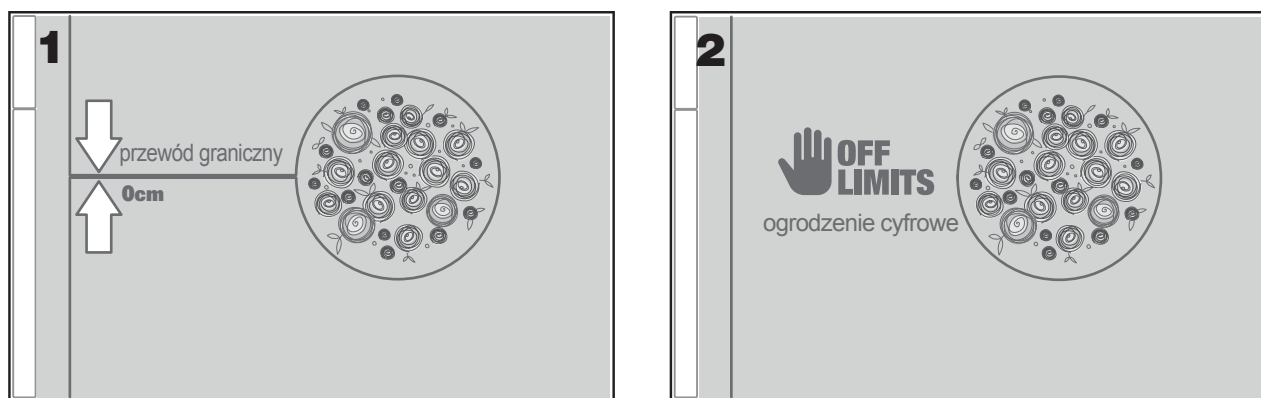
Landroid jest zaprojektowany do radzenia sobie z najbardziej skomplikowanymi trawnikami. Przeprowadź oględziny trawnika, aby przygotować się na bezproblemową instalację przewodu granicznego.

1. Określenie obszarów pomijanych

Nie chcesz, aby Twój robot koszący ścinał kwiaty, zanurzyła się w aranżacji wodnej lub rozcięła korzenie drzew, które wyłaniają się z ziemi. Zlokalizuj te obszary i otocz je przewodem granicznym, aby uniemożliwić Landroidowi dostęp do nich.

Przewód graniczny jest pojedynczą pętlą podłączoną na obu końcach do stacji ładowania, więc trzeba będzie odejść z przewodem od granicy, otoczyć obszar, który chcesz zabezpieczyć, a następnie poprowadzić przewód z powrotem do granicy, jak pokazano na rys. 1. Jeśli obszary, które mają być otoczone, znajdują się daleko od granicy trawnika lub jeśli masz do ochrony kilka obszarów i korzeni drzew, ta tradycyjna metoda jest czasochłonna.

Wspaniałą alternatywą jest zakup opcji Landroida Off-Limits (Poza obszarem). Dzięki temu, po prostu otocz zastrzeżone obszary cyfrowym ogrodzeniem Off-Limits, które nie musi być podłączone do pętli granicznej (rys. 2). Cyfrowe ogrodzenie Off-Limits jest równie dobre do ochrony wyposażenia sezonowego (np. trampoliny) lub do ochrony nowych zmian w układzie trawnika bez konieczności poprawiania przewodu.



2. Określenie przeszkód

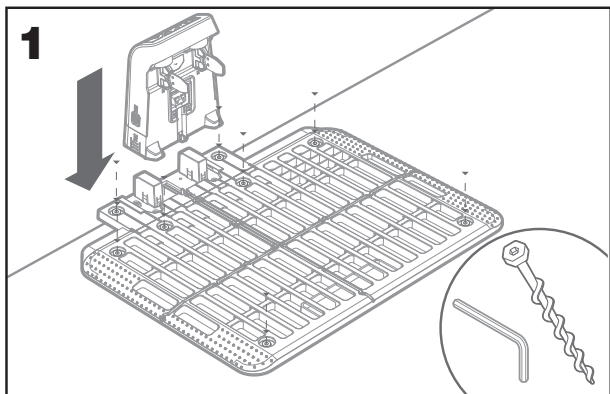
Czujnik zderzenia Landroida może radzić sobie ze stałymi przeszkodami, takimi jak drzewa, meble itp., które nie muszą być otoczone przewodem. Jeśli na trawniku znajduje się kilka przeszkód i drzew blisko siebie, zalecamy zakup opcji Landroid ACS, inteligentnego ultradźwiękowego autopilota, który sprawia, że Landroid będzie poruszał się wokół przeszkód zamiast na nie wpadać.

ZAKASAJ RĘKAWY. I DO ROBOTY!

Teraz, gdy zaplanowałeś instalację w każdym szczególe, jesteś gotowy do działania. Przed rozpoczęciem pracy możesz po raz ostatni użyć starej kosiarki, aby oczyścić trawnik i ułatwić instalację.

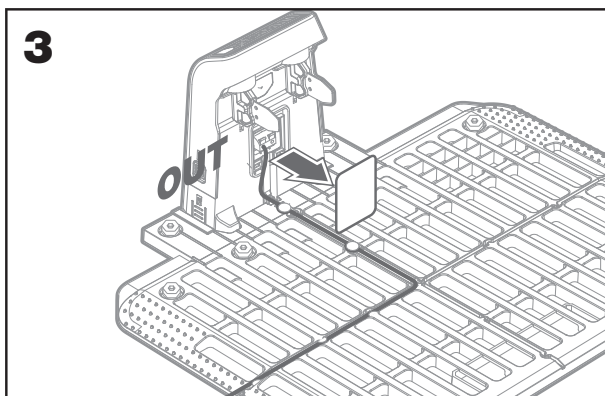
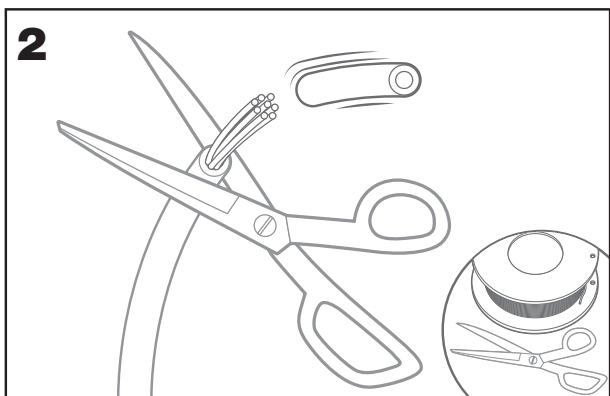
1. Zamocuj stację ładowania w wybranym miejscu.

- A. Włóż stos ładujący do podstawy ładującej. Następnie za pomocą dołączonego klucza imbusowego przymocuj stację ładującą do podłoża za pomocą dołączonych śrub (rys.1)
- B. W przypadku umieszczania podstawy na twardej powierzchni, zamocuj ją za pomocą kołków rozporowych i śrub (nie znajdują się w zestawie).



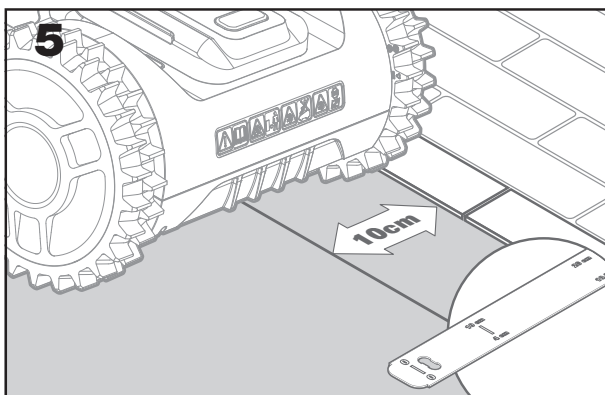
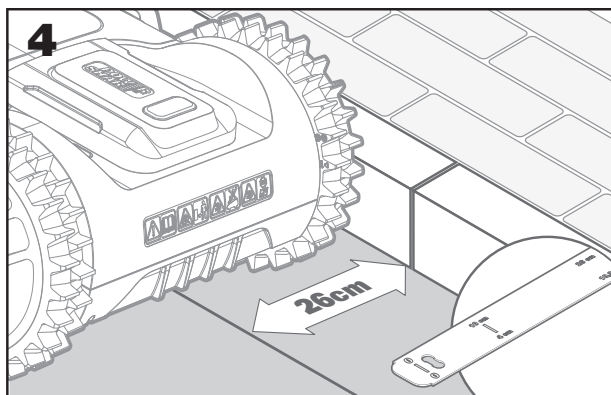
2. Podłącz jeden koniec przewodu granicznego do stacji ładującej.

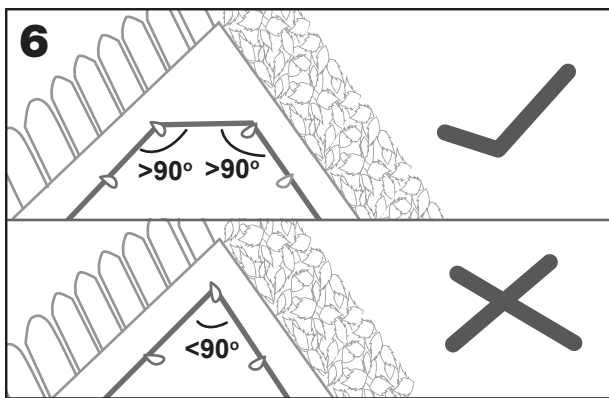
- A. Odizoluj koniec przewodu za pomocą nożyczek (rys. 2).
- B. Otwórz plastikowe drzwiczki i włóż odizolowany koniec do czerwonego lewego zacisku (rys. 3).
- C. Przelóż przewód przez prowadnicę podstawy, jak pokazano na rys. 3.



3. Ułóż przewód graniczny wokół trawnika.

- A. Za pomocą dostarczonego przyrządu pomiarowego ustal odległość drutu od krawędzi.
- B. Jeśli na krawędzi trawnika znajduje się stopień, poprowadź przewód w odległości 26 cm od niego (rys. 4).
- C. Jeśli nie ma żadnego stopnia, przewód poprowadź w odległości 10 cm od krawędzi (rys. 5).
- D. Upewnij się, że linia graniczna jest całkowicie prosta w każdym rogu, a kąt linii granicznej jest większy niż 90 °.

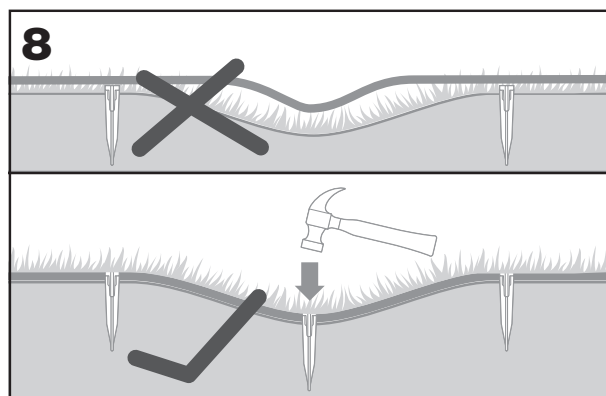
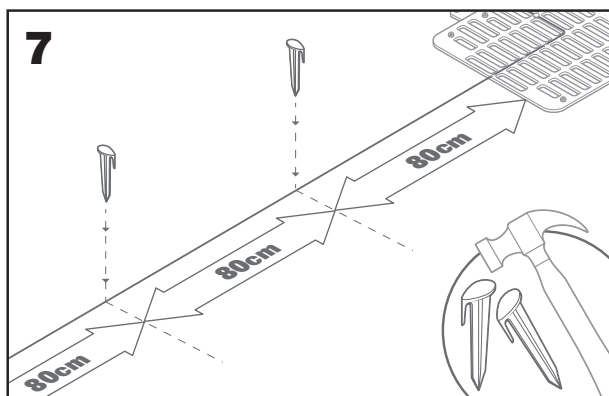




4. Przymocuj przewód do podłoża za pomocą kołków.

A. Umieść kołki w odległości około 80 cm od siebie (rys. 7).

B. Upewnij się, że przewód zawsze pozostaje w bezpośrednim kontakcie z podłożem (rys. 8).



5. W razie potrzeby, ułóż okrągłe wyspy.

A. Chronić rabaty kwiatowe, sadzawki, korzenie drzew i inne obszary, otaczając je przewodem granicznym.

B. Odejdź od krawędzi pod kątem prostym, aby uzyskać dostęp do chronionego obszaru.

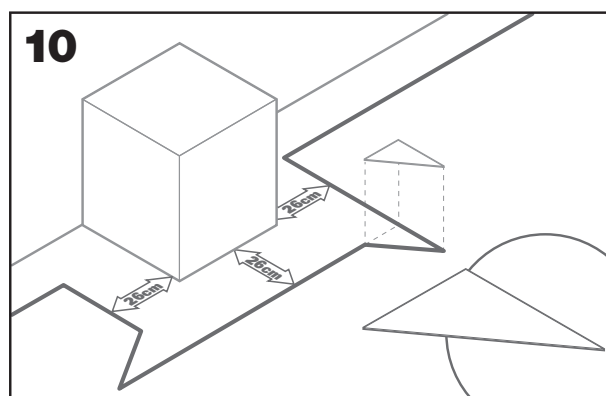
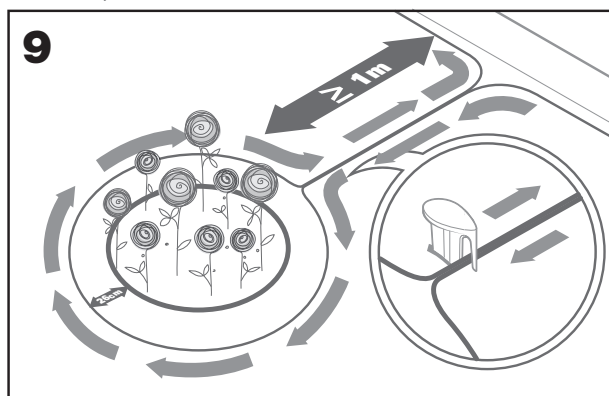
C. Wokół obszaru poprowadź przewód zachowując odległość 26 cm.

D. Zawsze układaj przewód zgodnie z ruchem wskazówek zegara. W przeciwnym razie kosiarka wjedzie na wyspę.

E. Wróć na krawędź trawnika, podążając tą samą ścieżką.

6. Metoda z kątownikiem: jak wykonać idealne kąty proste z narożnikami zwróconymi do trawnika

Jeśli występują kąty 90 stopni, które zwrócone są do wnętrza trawnika, użyj kątownika, aby pomóc Landroidowi wykonywać idealne skręty (i wyeliminować ryzyko, że Landroid napotka przeszkodę na granicy trawnika podczas wykonywania tego manewru).



7. Zamknij pętlę

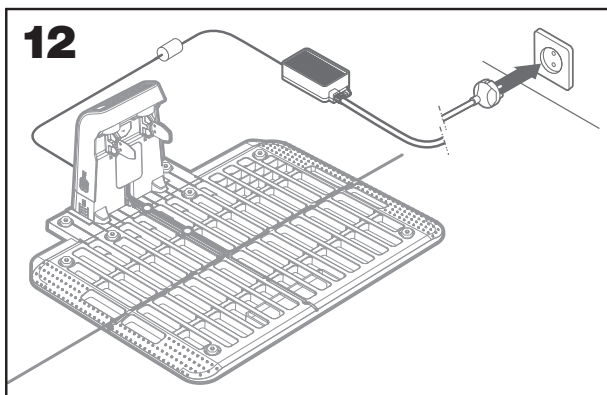
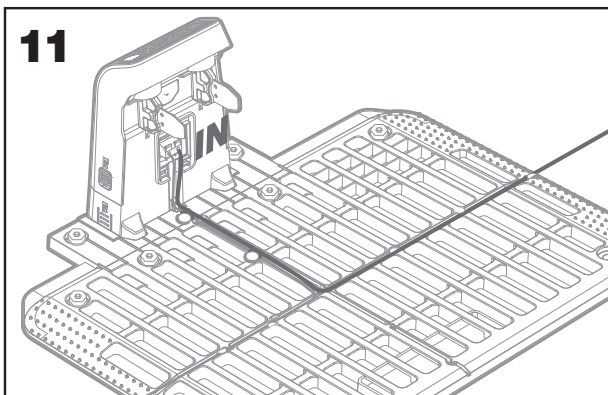
Po zakończeniu układania przewodu na obwodzie trawnika, wrócisz z powrotem do stacji ładowania.

- A. Przeprowadź przewód przez prowadnicę w podstawie, aż do zacisku (rys.11).
- B. Przytnij nadmiar przewodu i odizoluj koniec za pomocą nożyczek.
- C. Włóż odizolowany koniec do czarnego prawego zacisku.

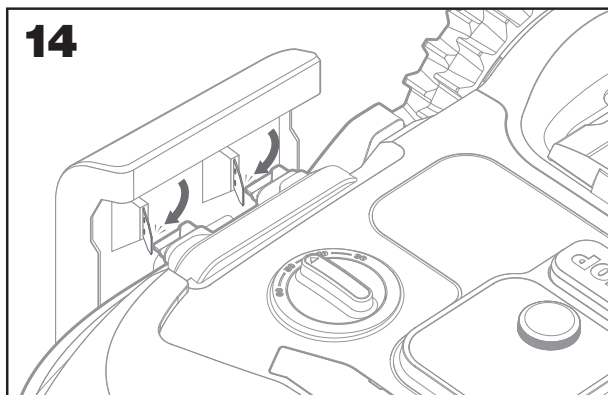
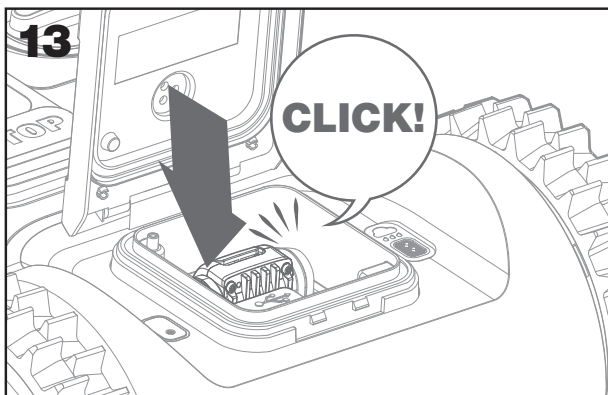
8. Ostatnie kroki

Koniec nudnej części! Jeszcze tylko kilka kroków:

- A. Podłącz stację ładowania do gniazda zasilania sieciowego (rys.12).
- B. Jeśli wszystko jest w porządku, dioda LED zapali się na zielono.
- C. Jeśli w pętli pojawi się problem, taki jak pęknięty przewód lub niewłaściwie zaciśnięty koniec przewodu, dioda LED zmieni kolor na czerwony. Sprawdź, czy wszystko jest w porządku i zapoznaj się z sekcją FAQ, jeśli problem nie ustępuje.



- D. Otwórz tylną część Landroida i włóż akumulator PowerShare do gniazda, aż usłyszysz kliknięcie (rys.13).
- E. Ustaw robota Landroid na ładowarce upewniając się, że ma on dobry kontakt z bazą (Ryc. 14). Dioda LED będzie błyskać na zielono. Gdy bateria w pełni się naładuje, dioda będzie palić się na zielono światłem ciągłym.



- F. Pozwól Landroidowi chwilę się ładować: Podczas ładowania możesz chcieć zrobić sobie zasłużoną przerwę: zapoznać się z poniższymi instrukcjami i podłączyć Landroida do sieci Wi-Fi.

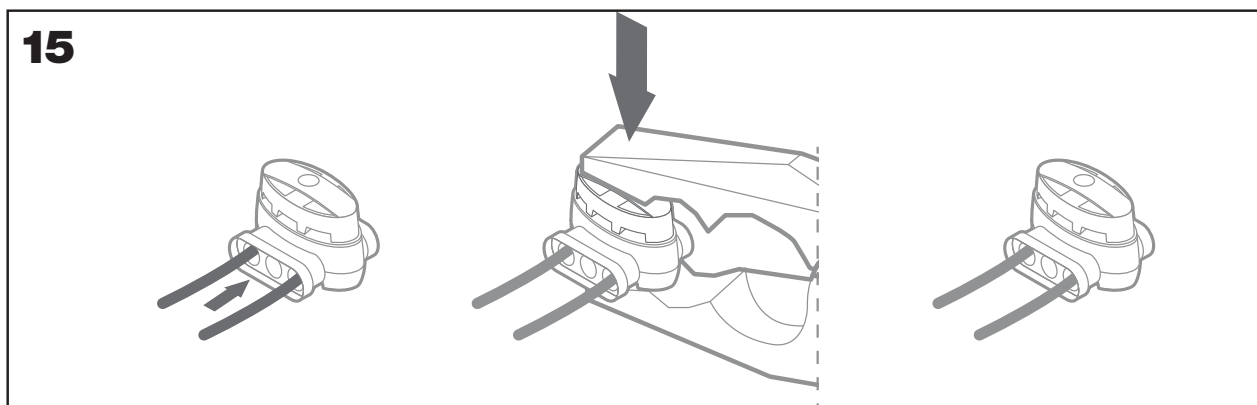
9. Łączenie przewodu granicznego

W zestawie Landroid znajdują się dwa małe, wodoodporne, wodoszczelne łączniki do przewodu granicznego. Można ich używać do następujących celów:

- A. Gdy Twój trawnik ma bardzo długi obwód i do wykonania instalacji potrzebny jest dodatkowy przewód graniczny. Nie należy przekraczać długości 300m przewodu granicznego: jest to maksymalna długość obwodu przewodu granicznego
- B. Kiedy przewód graniczny zostanie przypadkowo przecięty i trzeba go naprawić.
- C. Kiedy zdecydujesz się w przyszłości na przebudowę ogrodu i będziesz musiał zmodyfikować pierwotną instalację przewodu granicznego.

Łączniki są wodoszczelne i zapewniają optymalne połączenie elektryczne(rys.15).

- A. Włóż oba końce przewodu do dowolnych dwóch z trzech otworów w łączniku; nie trzeba odizolowywać przewodów.
- B. Wsuń przewody do oporu, aż oba końce przewodów będą widoczne po drugiej stronie łącznika.
- C. Mocno ściśnij łącznik za pomocą szczypiec.



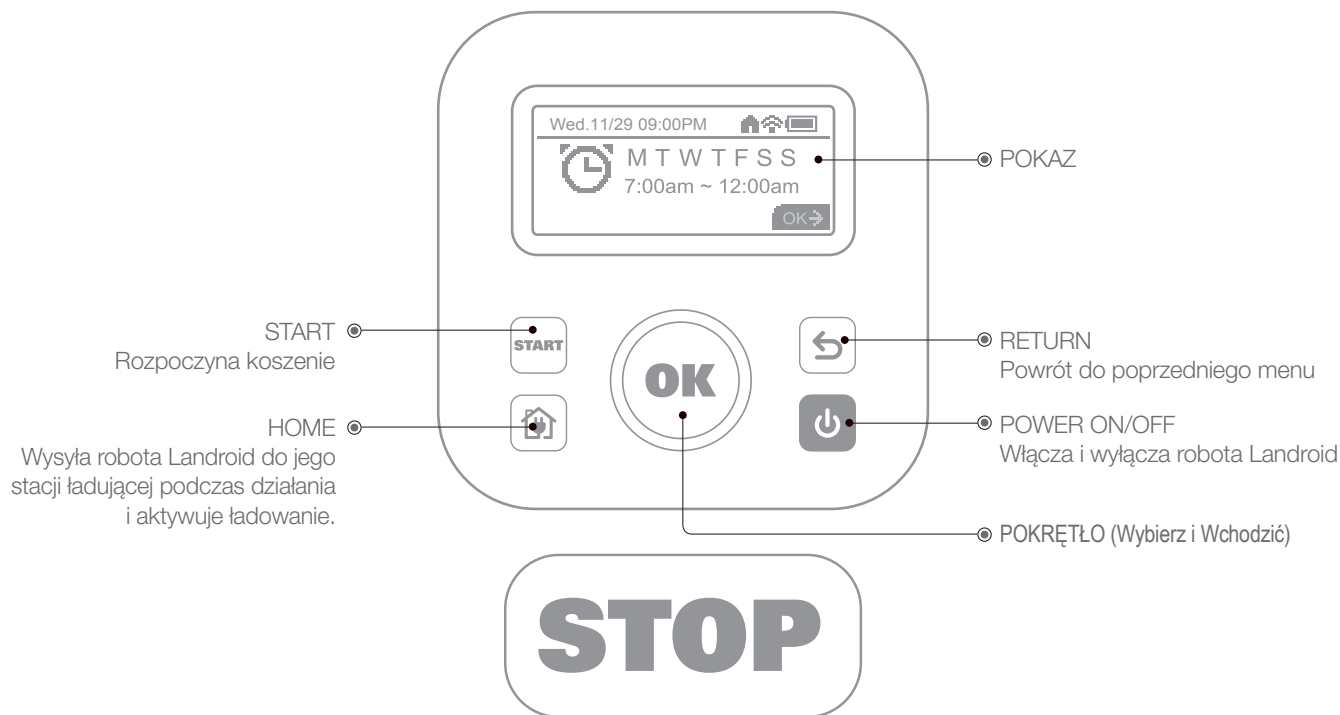
⚠ Uwaga: nie zaleca się po prostu łączyć przewodu granicznego taśmą izolacyjną lub stosować do połączenia kostek łączeniowych. Po pewnym czasie może dojść do przerwania obwodu, ponieważ wilgoć gleby może doprowadzić do utlenienia przewodu.

A TERAZ TA EKSCYTUJĄCA CZĘŚĆ! URUCHOM LANDROIDA PO RAZ PIERWSZY.

Zapoznaj się z panelem sterowania

Panel sterowania Landroida zapewnia kluczowe funkcje przy minimalistycznej formie.

Zaawansowane funkcje zapewnia darmowa aplikacja Landroid, która oferuje dodatkowe opcje w bogatszym interfejsie: na Twoim smartfonie.



Uruchom Landroida

- Umieścić Landroida wewnątrz przewodu granicznego
- Naciśnij i przytrzymaj przycisk **POWER ON/OFF** aż nie zaświeci się ekran. Następnie wprowadź kod PIN
- Obróć **OK** w prawo, aby wybrać liczbę i krótkie naciśnięcie klawisza **OK**, aby potwierdzić jeden po drugim. Na ekranie pojawi się komunikat „PIN code OK”(Kod PIN prawidłowy)
- Naciśnij przycisk **START**, a następnie **OK**. Landroid rozpocznie koszenie
- Możesz w dowolnym momencie zatrzymać Landroida poprzez naciśnięcie przycisku **STOP**
- Aby wysłać Landroida do stacji ładowania, naciśnij przycisk **HOME**, a następnie **OK**

Uwaga: Domyślny kod PIN to 0000

PANEL STEROWANIA LANDROIDA

Zaawansowane funkcje dostępne poprzez wbudowany interfejs

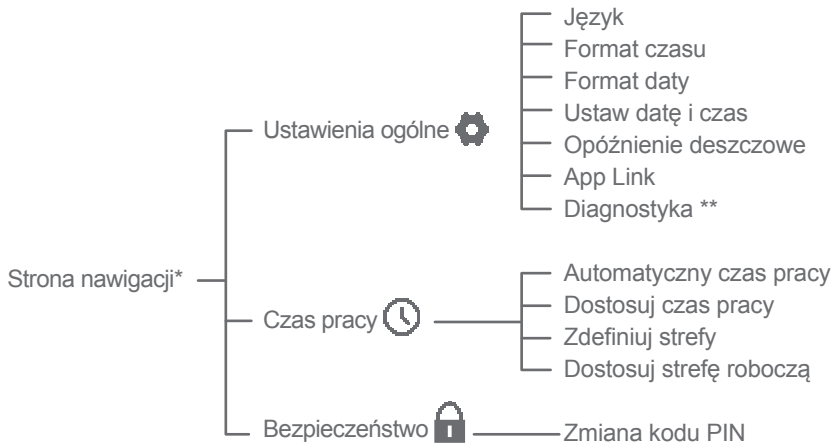
Pomimo minimalistycznego projektu, poprzez wbudowany panel sterowania można ustawić kilka zaawansowanych funkcji.

Jednakże, dla najlepszego doświadczenia użytkownika zalecamy w tym celu korzystanie z bezpłatnej aplikacji Landroid, biorąc pod uwagę jej znacznie bogatszy i intuicyjny interfejs.

1. Ustawiać

- Obróć zgodnie z ruchem wskazówek zegara **OK**, aby wprowadzić ustawienie
- Następnie obróć **OK**, aby wybrać "Ustawienia ogólne **⚙️**" / "Godziny pracy **🕒**" / "Bezpieczeństwo **🔒**", naciśnij krótko, aby wejść.
- Użyj tej samej metody, aby podjąć dalsze działania.





* Ciągła aktualizacja zgodnie z wersją oprogramowania.

** Tylko do obsługi posprzedażnej

2. Ustaw datę & Godzinę

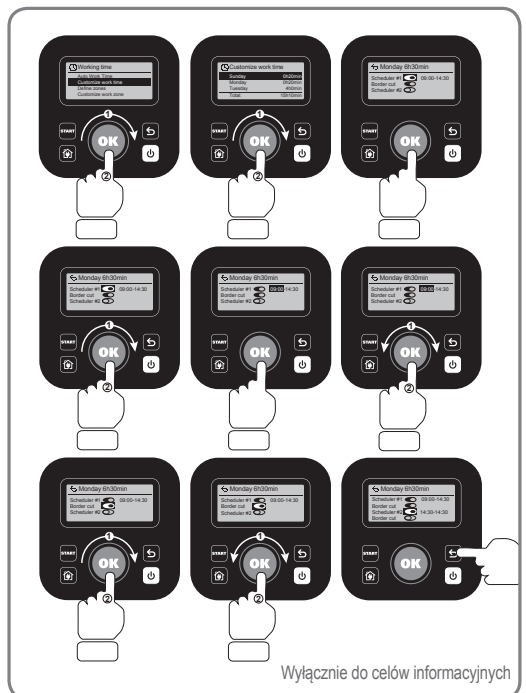
- Powrót do "Ustawień ogólnych"
- Obróć zgodnie z ruchem wskazówek zegara **OK** "Ustaw datę & Godzinę", a następnie naciśnij krótko, aby wejść.
- Następnie obróć w prawo **OK** Wybierz "Dzień" i Krótkie naciśnięcie. Wybrana liczba będzie migać.
- Dalej, Obróć **OK**, aby wybrać numer i naciśnij krótko, aby potwierdzić. Aby wybrać numer i naciśnij krótko, aby potwierdzić.



3. Niestandardowe godziny pracy

- Powrót do "godzin pracy"
- Obróć w prawo **OK** Przejdź do "Niestandardowy czas pracy", a następnie naciśnij krótko, aby wejść.
- Obróć w prawo **OK** Wybierz dzień tygodnia, a następnie naciśnij krótko.
- Następnie naciśnij **OK**, aby wprowadzić ustawienia.
- Obróć w prawo **OK**, aby aktywować "Harmonogram nr 1 **". Krótkie naciśnięcie **OK** w celu potwierdzenia.
- Następnie obróć w prawo Wybierz czas rozpoczęcia "godzina / minuta", a następnie naciśnij krótko, aby wprowadzić ustawienie. Wybrana liczba będzie migać.
- Obróć **OK**, aby wybrać czas rozpoczęcia, w którym LANDROID ma przycinać w określonym dniu, a następnie naciśnij krótko, aby potwierdzić. Użyj tej samej metody, aby zakończyć czas zatrzymania.
- Następnie obróć w prawo **OK** i krótkie naciśnięcie, aby przejść do ustawienia "obcinania ramy".
- Obróć **OK**, aby wybrać, czy aktywować "Obcinanie krawędzi", a następnie naciśnij krótko, aby potwierdzić.
- Jeśli chcesz ustawić "Harmonogram 2 **", użyj tej samej metody co powyżej.
- Naciśnij **OK** i użyj tej samej metody, aby ustawić godziny pracy w inne dni robocze.

* W jednym dniu można ustawić dwa harmonogramy.



4. Dostosowanie godzin pracy

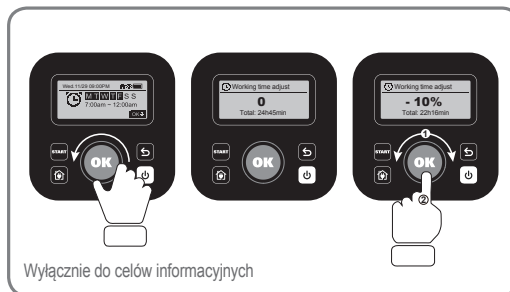
Możesz szybko dostosować godziny pracy w tygodniu. Wydłużenie / skrócenie czasu zostanie równomiernie rozłożone na wymagane dni robocze

A. Wrócić do ekranu głównego.

B. Obróć w lewo **OK** Aby aktywować regulację czasu pracy.

UWAGA: Całkowity czas opiera się na niestandardowym czasie pracy i można go regulować w gradience 10%.

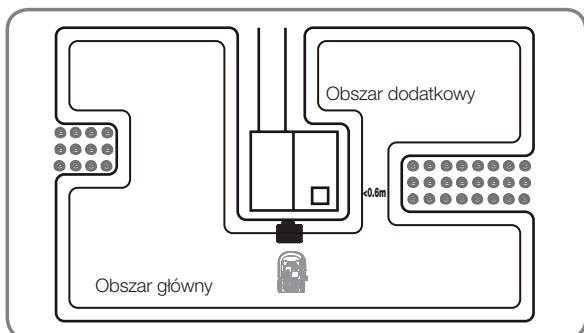
C. Następnie obróć **OK** , aby wyregulować, i naciśnij krótko, aby potwierdzić.



5. Ustawienie pojedynczego cięcia

Jeśli na trawniku jest wiele obszarów połączonych korytarzami, szerokość powinna wynosić co najmniej 0.6 m . Jeśli korytarz jest węższy niż 0.6 m , Landroid będzie miał trudności z poruszaniem się między nimi. W takim przypadku zaleca się ustawienie głównych i drugorzędnych obszarów na trawniku. Linia graniczna powinna być umieszczona tak, jak pokazano.

Elastyczne ustawienia pracy (czy wrócić do stacji ładującej i czy wyciąć ramkę), zwłaszcza gdy Landroid znajduje się w obszarze pomocniczym bez stacji ładującej, Skrócony czas.



- Umieść Landroida w linii granicznej.
- Gdy Landroid jest podłączony do stacji ładującej .

A. Wrócić do ekranu głównego.

B. Szybko **START**, naciśnij trzykrotnie.

C. Obróć w prawo **OK** Wybierz "Prezent domowy? - TAK / NIE " (niezależnie od stacji ładującej , czy znajduje się w tym obszarze), a następnie naciśnij krótko, aby wprowadzić ustawienie. Wybrane słowo zacznie migać, a następnie naciśnij krótko, aby potwierdzić.

D. Następnie obróć **OK** Wybierz opcję "Włącz obcinanie obramowania tak / nie" (czy wykonać cięcie obramowania), a następnie naciśnij krótko. Wybrane słowo zacznie migać, a następnie naciśnij krótko, aby potwierdzić. Następnie w ten sam sposób uzupełnij "czas pracy".

E. Następnie obróć w prawo **OK** Wybierz "Początek", a następnie naciśnij krótko, aby rozpocząć przycinanie

Uwaga : Landroid powróci do Stacja ładująca Aby naładować akumulator Skończył się lub upłynął czas cięcia. Jeśli Landroid jest w pełni naładowany, a ustawiony czas nie upłynął, Landroid będzie kontynuować koszenie do końca tego czasu.

- Gdy Twój Landroid jest odłączony od Stacja ładująca ,

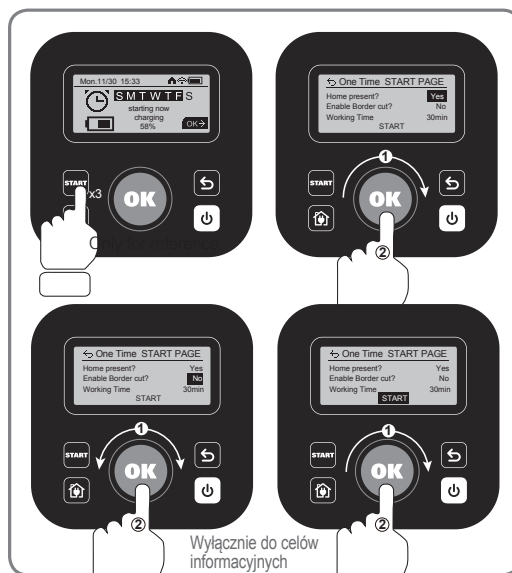
A. Wrócić do ekranu głównego.

B. Szybko naciśnij **START**, trzy razy.

C. Obróć **OK** Wybierz "Prezent domowy? - TAK / NIE " (Stacja ładująca Czy znajduje się w tym obszarze) i krótko naciśnij Wprowadź ustawienia . Wybrane słowo zacznie migać, a następnie naciśnij krótko, aby potwierdzić. W ten sam sposób uzupełnij "czas pracy".

D. Następnie obróć w prawo **OK** Wybierz "Początek", a następnie naciśnij krótko, aby rozpocząć przycinanie

Uwaga: gdy Landroid znajduje się w głównym obszarze (zwykle znajduje się w stacji ładującej), zwróci stacja ładująca jest używany do ładowania, gdy bateria jest wyczerpana lub czas cięcia dobiegł końca. Jeśli Landroid jest w pełni naładowany, a ustawiony czas nie upłynął, Landroid będzie kontynuować koszenie do końca tego czasu. Gdy Landroid znajduje się w obszarze dodatkowym, przestanie kosić i pozostanie tam, gdzie jest, gdy bateria się wyczerpie, nadejdzie czas koszenia, Landroid napotka pewne problemy (na przykład awarię i inne) lub ręcznie naciśnie "ZATRZYMAĆ".



PODŁĄCZANIE LANDROIDA DO INTERNETU

Po co podłączać Landroida do Internetu

Twój Landroid może być podłączony przez Wi-Fi lub Bluetooth.

Landroid jest urządzeniem IoT (Internet Rzeczy). Aby wycisnąć z Landroida pełną funkcjonalność i zachować zawsze najnowszą wersję oprogramowania, urządzenie musi być zawsze podłączone do Internetu poprzez Twoją sieć Wi-Fi

PRZED ROZPOCZĘCIEM

1. Pobierz aplikację

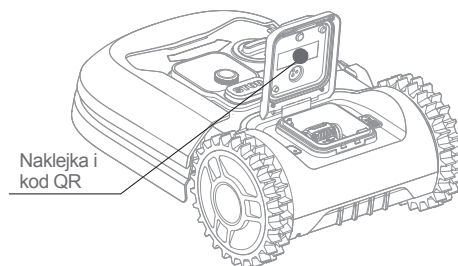
Najpierw pobierz aplikację Landroid. Pobierz ją ze sklepu Android lub Apple



2. Upewnij się, że masz:

- A. Hasło sieci Wi-Fi/Funkcja Bluetooth na smartfonie
- B. Numer seryjny urządzenia Landroid: można go znaleźć na naklejce pod dolną pokrywą maszyny.

Jeśli nie chcesz wpisywać 20-cyfrowego numeru seryjnego, wprowadź go, skanując kod QR aparatem smartfonu.



3. Sprawdź swoje ustawienia

Połączenie Wi-Fi

- A. Landroid współpracuje z sygnałem Wi-Fi 2,4 GHz.
- B. Upewnij się, że Landroid podłączony jest do tego samego środowiska routera co Twój smartfon.
- C. Upewnij się, że odległość między Landroidem, smartfonem i routerem podczas łączenia jest jak najmniejsza.

Wskazówka: kiedy Landroid przechodzi do obszaru trawnika ze słabym sygnałem lub brakiem sygnału Wi-Fi, instrukcje wysyłane z aplikacji zostaną wykonane tylko wtedy, gdy Landroid wróci do obszaru z dobrym sygnałem.

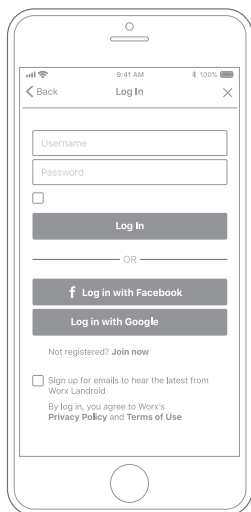
Połączenie Bluetooth

- A. Funkcja Bluetooth w smartfonie jest aktywna.
- B. Upewnij się, że Landroid znajduje się w odległości, którą można połączyć.

JAK PODŁĄCZYĆ LANDROIDA DO INTERNETU

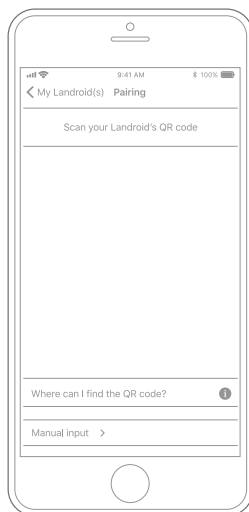
Uruchom aplikację i postępuj zgodnie z następującymi instrukcjami.

1. Zarejestruj swoje konto



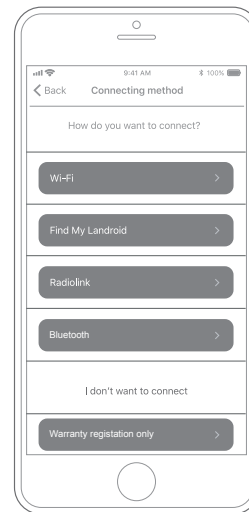
Zarejestruj swoje konto wpisując nazwę użytkownika i hasło lub logując się przez Facebooka lub Google.

2. Wprowadź numer seryjny Landroida



Zarejestruj swój Landroid, wprowadzając numer seryjny ręcznie lub poprzez zeskanowanie kodu QR.

3. Wybierz swoje połączenie



Wybierz swoją sieć Wi-Fi lub Bluetooth lub możesz połączyć się z Landroidem, wyszukując opcję mojego Landroida lub

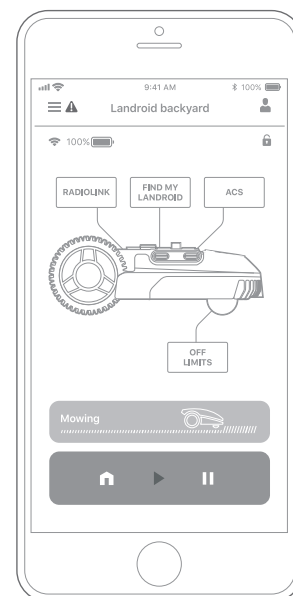
Jeśli WiFi nie obejmuje całego trawnika można rozważyć zakup opcji Landroid RadioLink, która przedłuża sygnał do 300m zasięgu. Jako alternatywa, można zakupić opcję Find My Landroid, która oprócz podłączenia Landroida do Internetu poprzez wbudowaną kartę SIM, pozwala również śledzić go również w przykrym przypadku, gdy zostanie skradziony.

APLIKACJA LANDROID WIĘCEJ NIŻ ZWYKŁY PILOT

Nie myśl, że służy ona jako pilot. Aplikacja jest integralną częścią zaawansowanego ekosystemu Worx Landroid opartego na chmurach obliczeniowych i sztucznej inteligencji.

Dzięki funkcji rzeczywistości rozszerzonej aplikacji, możesz zmierzyć dokładną powierzchnię swojego trawnika. To tak proste, jak spacer wzdłuż jego krawędzi.

Na tempo wzrostu trawy wpływa wiele czynników. Landroid łączy je, aby określić najlepszą pielęgnację trawnika. dzień po dniu



⚠ VAROVÁNÍ: Přečtěte si všechny bezpečnostní pokyny a instrukce. Nedodržení bezpečnostních varování a pokynů může vést k úrazu elektrickým proudem, k vzniku požáru nebo k vážnému úrazu. Pečlivě si přečtěte všechny pokyny týkající bezpečného použití tohoto zařízení. Všechna varování a bezpečnostní pokyny uschovejte pro budoucí použití.

JAK SEKAČKA LANDROID FUNGUJE

V následující části bychom vám rádi podrobněji vysvětlili, jak sekačka Landroid funguje. Landroid je autonomní stroj, schopný fungovat sám o sobě. Sekačka sama ví, kdy musí zajet na nabíjecí stanici, dokáže rozpoznat, když prší, zastaví se, když rozpozná problém, a zastaví se, vrátí nebo otočí, když narazí na něco, co jí blokuje cestu. Aby nedošlo k nehodě, sekačka Landroid také automaticky zastaví svůj disk čepelí, jakmile je zvednuta ze země.

Sama se nabíjí



////////////////////////////////////

Když sekačka Landroid potřebuje nabít, přestane sekát a podle okrajového drátu dojede, proti směru hodinových ručiček, k nabíjecí stanici. Jakmile je nabíjení dokončeno, sekačka Landroid automaticky obnoví sekání, nebo zůstane na nabíjecí stanici podle plánu sekání.

Určování a správa okraje sekání



////////////////////////////////////

Landroid je program naprogramován tak, aby trávu trávil po obvodu trávníku dvakrát týdně v Pondělí a Pátek. Chcete-li toto nastavení změnit, lze to provést pomocí chytrého telefonu nebo pomocí ovládacího panelu v nabídce „Work time-Customise Work time“. Podrobné pokyny naleznete na konci této příručky.

Dešťový senzor



////////////////////////////////////

Sekačka Landroid je 100% odolná vůči počasí a je ráda venku. Nicméně výsledky sekání mokré trávy nejsou příliš potěšující. Sekačka Landroid je proto vybavena dešťovým senzorem, který detekuje déšť a sdělí jí, že má přestat sekát a vrátit se na nabíjecí stanici.

Prodleva po dešti



////////////////////////////////////

Po dešti se sekačka Landroid znovu spustí, když už není tráva mokrá. Výchozí prodleva po dešti je 180 minut. Dobu prodlevy můžete změnit pomocí nastavení času v aplikaci Landroid

Za extrémnějšího počasí



////////////////////////////////////

V případě bouřky chraňte sekačku Landroid odpojením nabíjecí stanice, odpojením okrajového drátu a ujistěním se, že se sekačka Landroid nemůže nabíjet. V zimě, a zejména při velmi chladném počasí a sněhu, doporučujeme uskladnit sekačku uvnitř budovy. V některých zemích nabízíme zimní servis vaší sekačky, tak aby byla připravena na jaro. obraťte se na svého prodejce nebo vyhledejte informace online.

Již žádné hrabání posekané trávy



Denní procedury sekačky vytváří velmi jemnou travnatou drť, kterou není třeba hrabat. Tato drť je perfektní organickou živinou pro váš trávník. Časté sekání zlepšuje hustotu trávníku a efektivně brání šíření plevelu.

Sekání až k okraji



Speciálně odsazená čepel se dostane až k samotnému okraji vašeho trávníku, takže není potřeba dosekávat.

Výška sekání



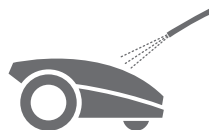
Než spustíte svou sekačku Landroid poprvé, ujistěte se, že tráva není vyšší než 10 cm. Je-li vyšší, použijte klasickou sekačku a trávu před použitím sekačky Landroid zkratíte. Chcete-li zásadně zkrátit výšku trávy, doporučuje se provádět to postupně, a to krokovým snižováním výšky sekání.

Zabezpečení a ochrana kódem PIN



Aby sekačku nemohly používat nepovolané osoby, je chráněna pomocí kódu PIN, který lze snadno nastavit.

Snadné čištění



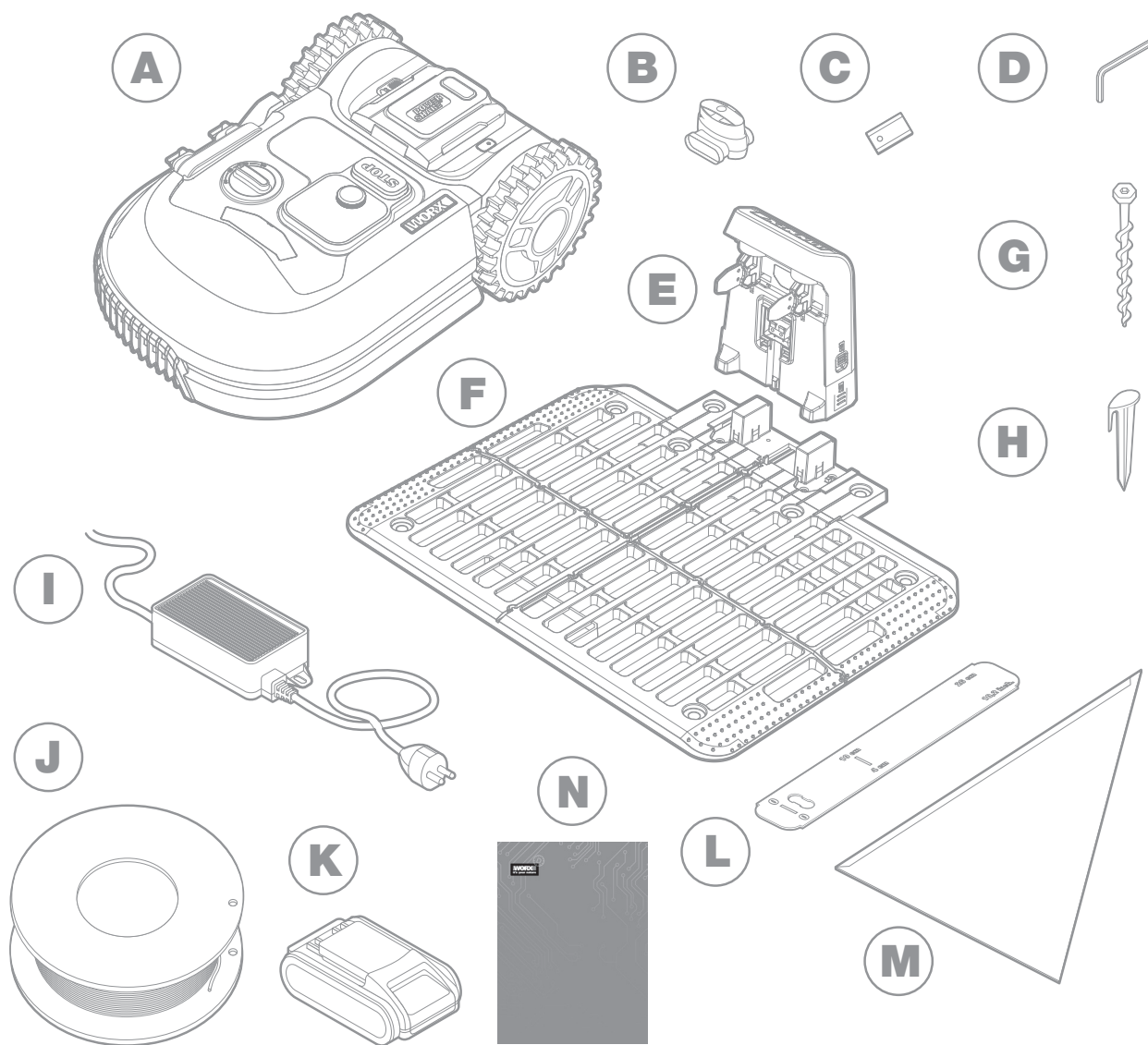
Díky své voděodolné funkci IPX5 se Landroid zbavuje prachu, trávníku a drsného prostředí, se kterým se setkáte během práce. Nechte Landroid vypadat a podávat lepší výkon.

Pozemní tracker



S novým designem automatického zvedání lze jeho nože automaticky zvedat, aby byla zajištěna větší vůle. To pomáhá Landroidu vyhnout se určitým situacím, které by blokovaly ostatní sekačky.

OBSAH BALENÍ



Obrázek je pouze informativní

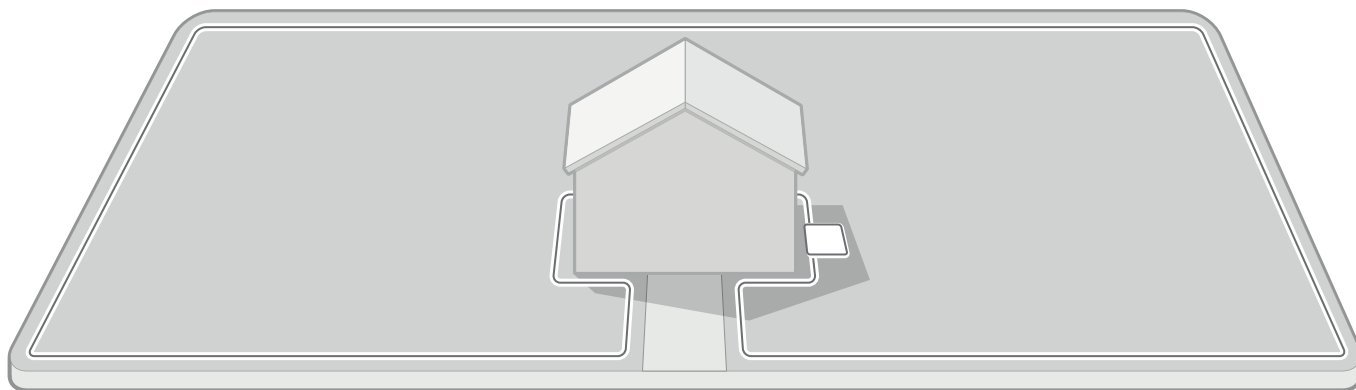
A	Worx Landroid
B	Konektory na opravu kabelu
C	Sady náhradních čepelí
D	Šestihranný
E	Nabíjecí hromada
F	Nabíjecí stanice
G	Šroubů

H	Drátěné kolíčky
I	Napájecí adaptér
J	Okrajový drát
K	Akumulátor 20V
L	Distanční měrky pro okrajový drát
M	Bertelsenovo pravítko
N	Manuální

INSTALACE

Instalace vaší sekačky Worx Landroid je snadná, pokud budete postupovat dle těchto pokynů. V zásadě jde o instalaci nabíjecí stanice a položení okrajového drátu kolem vašeho trávníku. Kromě této příručky můžete také použít rychlého průvodce, který je součástí balení, nebo si prohlédnout komplexní video návody na našem kanálu YouTube*.

*Tyto informace jsou poskytovány pro vaše pohodlí, ale nijak nenahrazují návod a bezpečnostní pokyny, které je nutné si řádně přečíst a porozumět jim.



Provedte prohlídku svého trávníku a naplánujte instalaci

Nainstalujte nabíjecí stanici

Položte okrajový drát

Připojte nabíjecí stanici do elektrické zásuvky

Zapněte sekačku Landroid. Proveďte test a připravte ji na sekání

KAŽDÁ MINUTA STRÁVENÁ PLÁNOVÁNÍM VÁM UŠETŘÍ 10 MINUT PŘI PROVÁDĚNÍ

Instalace sekačky Landroid je ještě snazší, jestliže si jasně řeknete, co je třeba udělat. Řádné plánování vám pomůže vyhnout se chybám a nebudete muset přepracovávat instalaci, když je hotová.

1. Na povrchu, nebo zahrabat?

Okrajový drát sekačky Landroid je navržen tak, aby ležel na povrchu trávníku. Nejprve bude skoro neviditelně ležet v trávě, ale po několika týdnech se zahrabe. Jestliže chcete drát zahrabat ihned, doporučujeme nejprve jej položit a vyzkoušet, zda byla instalace úspěšná, a to provozem sekačky kolem vytyčeného okruhu. Tento test vám umožní snadno vše zkontrolovat a v případě potřeby změnit rozvržení drátu předtím, než ho zahrabete. Drát je nutné zahrabat do hloubky maximálně kolika málo centimetrů, tak aby předával dobrý signál sekačce.

2. Plán pro nabíjecí stanici

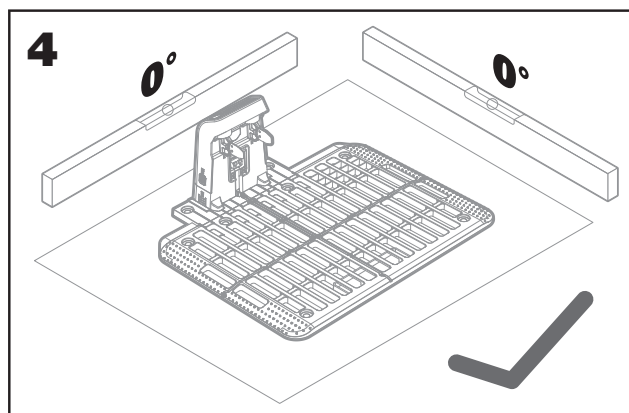
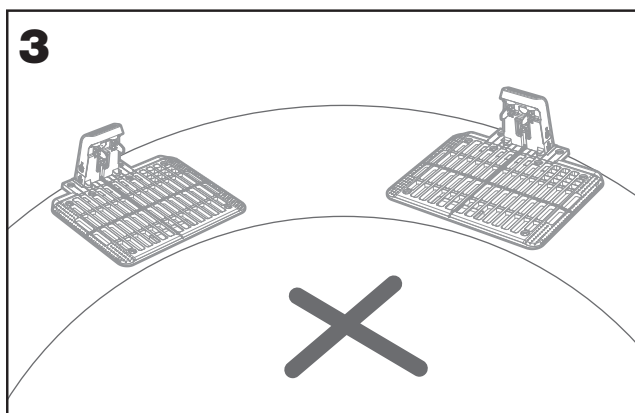
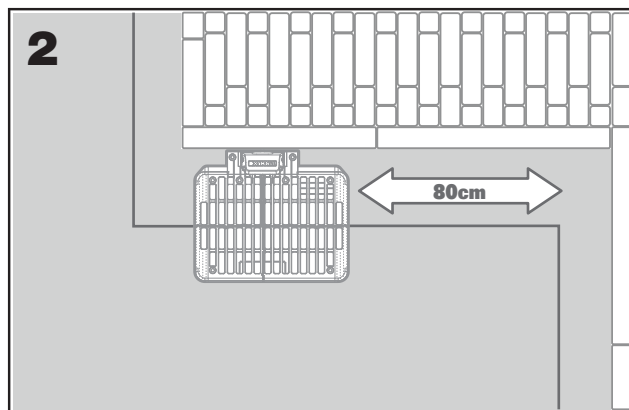
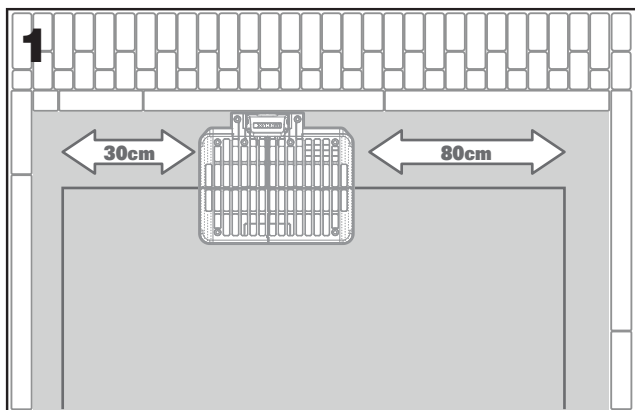
Nabíjecí stanice, sestávající z nakládací hromádky a nakládací základny, je místo, kde se dobíjí akumulátor sekačky Landroid. Jde také o místo, kde sekačka parkuje mezi jednotlivými sekáními.

Najděte vhodné místo pro nabíjecí stanici, přitom berte na vědomí následující:

- A. Je nutné do ní vést elektřinu, takže by neměla být dále než 10 metrů od elektrické zásuvky
- B. Je-li to možné, najděte místo ve stínu, tak aby se akumulátor při nabíjení nepřehříval
- C. Základna musí být na rovném povrchu, aby se sekačka efektivně zaparkovala
- D. Vyhněte se místům, kde jsou zavlažovací trysky

Nabíjecí stanici můžete položit na trávník nebo na pevný povrch, jako například chodník, ovšem v takovém případě musí být pevný povrch ve stejné výšce s trávníkem (žádné schody).

K zaparkování v nabíjecí stanici potřebuje sekačka Landroid minimálně 80 cm rovného prostoru před stanicí. Na straně výjezdu potřebuje minimálně 30 cm rovné cesty a poté prostor pro zatočení doleva (obr. 1). Jestliže má zatáčet doprava, není potřeba žádná rovná cesta (obr. 2).

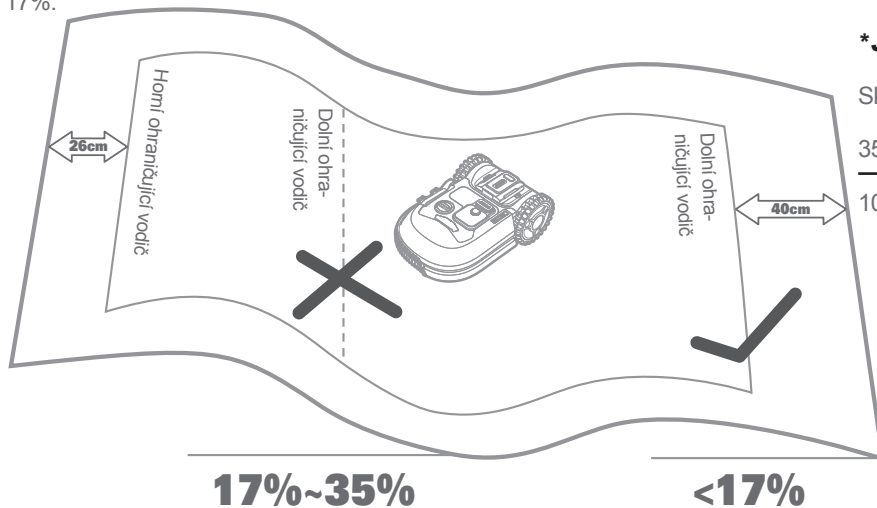


3. Kontrolní seznam pro nabíjecí stanici:

- A. v dosahu elektrické
- B. zásuvky ve stínu
- C. rovná cesta na vstupu; rovná cesta na výstupu, je-li třeba
- D. rovný povrch
- E. žádné zavlažovací trysky

4. Umístění ohraničujícího vodiče na svazích

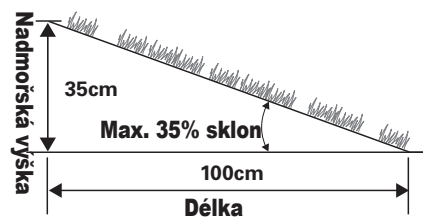
Horní ohraničující vodič NESMÍ být umístěn na svazích strmějších než 35% (20°)*. Dolní ohraničující vodič NESMÍ být umístěn na svazích strmějších než 17% (10°) a měl by být umístěn nejméně 40 cm od jakékoli překážky, je-li umístěn na svahu, který je strmý 17%.



*** Jak vypočítat sklon vašeho trávníku?**

Sklon tedy bude:

$$\frac{35\text{cm (Nadmořská výška)}}{100\text{cm (Délka)}} = 35\% \text{ (Sklon)}$$



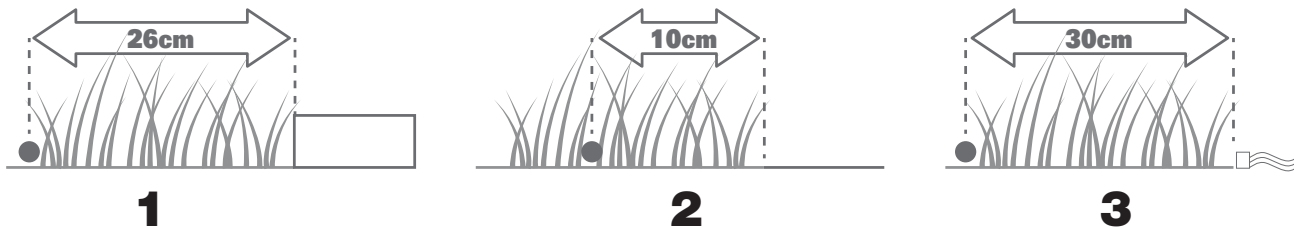
5. Plán pro okrajový drát

Drát musí být umístěn v jisté vzdálenosti od okraje trávníku. Vzdálenost se mění v závislosti na tom, co je na druhé straně okraje. Různé části vašeho trávníku mohou vyžadovat různé vzdálenosti:

A Je-li okraj trávníku v blízkosti schodu: drát musí být ve vzdálenosti 26 cm od okraje. (obrázek 1)

B Je-li okraj trávníku v blízkosti cesty se stejnou výškou: drát musí být ve vzdálenosti 10 cm od okraje. (obrázek 2)

C. Pokud hranici okraje trávníku tvoří bazén: udržujte ohraničující vodič 30 cm od jeho okraje. (obrázek 3)



Pokud některá strana trávníku hraničí se sousedním trávníkem, kde je používána robotická sekačka, položte ohraničující vodič alespoň 1 m od vodiče souseda, aby nedošlo k jejich vzájemnému rušení.

PROHLÉDNĚTE SVŮJ TRÁVNÍK

Sekačka Landroid je navržena tak, aby si poradila i s těmi nejobtížnějšími trávníky. Trávník zrakem prohlédněte, tak abyste mohli provést bezproblémovou instalaci okrajového drátu.

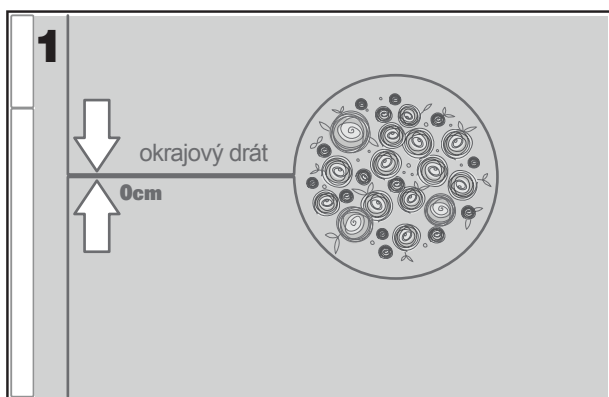
1. Určete místa, kam sekačka nesmí

Pokud si nepřejete, aby vaše sekačka na trávu sekala květiny, spadla do bazénků nebo ničila kořeny stromů, které vyrůstají nad zem. Najděte tyto zakázané oblasti a obezpečte je okrajovým drátem, tak aby k nim sekačka nezajížděla.

Okrajový drát je signální smyčka na obou koncích připojená k nabíjecí stanici, takže budete muset vést drát od okraje k oblasti, kterou chcete chránit, danou oblast obehnat, a poté se vrátit k okraji trávníku, viz obr. 1.

Jestliže jsou oblasti, které chcete chránit, daleko od okraje trávníku, nebo je těchto oblastí např. se stromy hodně, je tato tradiční metoda časově velmi náročná.

Skvělou alternativou je zakoupení funkce Off-Limits. S ní je možné chráněné oblasti obehnat digitálním plotem Off-Limits, který nemusí být připojen k okrajové smyčce (obr. 2). Digitální plot Off-Limits je také skvělý k ochraně sezónního vybavení, např. trampolíny, nebo k ochraně nových prvků zahrady, aniž by bylo potřeba předělávat okrajový drát.



2 Určete překážky

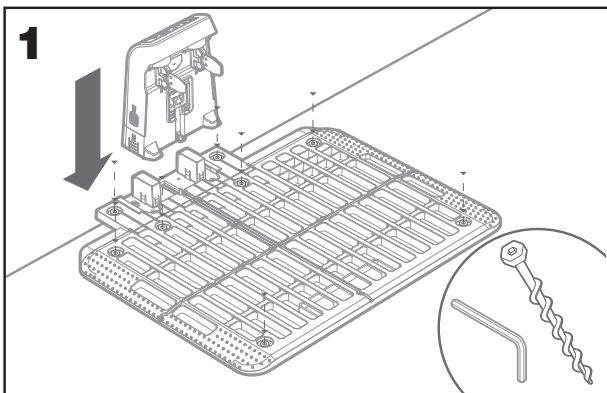
Překážkový senzor sekačky Landroid zvládne pevné překážky, jako jsou stromy, nábytek apod., které není potřeba obehnat okrajovým drátem. Jestliže je na vašem trávníku několik překážek nebo stromů blízko sebe, doporučujeme zakoupit funkci Landroid ACS, což je inteligentní ultrazvukový autopilot, který sekačce Landroid umožní objíždět překážky namísto toho, aby do nich narážela.

VYHRŇTE SI RUKÁVY. AŽ TO BUDE, TAK TO BUDE!

Nyní, když máte naplánovanou instalaci do posledního detailu, je čas na akci. Před započítím bude možná dobré naposledy použít vaši starou sekačku a očistit trávník, aby byla instalace snazší.

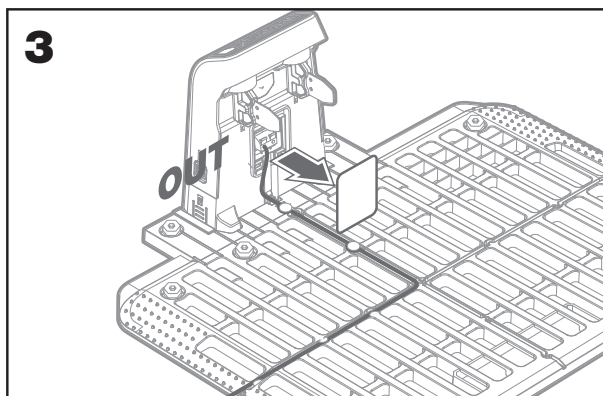
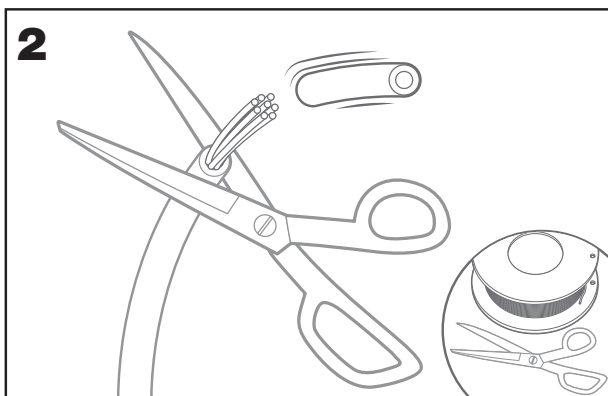
1. Umístěte nabíjecí stanici na zvolené místo

- A. Vložte nabíjecí hromadu do nabíjecí základny. Poté pomocí přiloženého šestihybného klíče připevněte nabíjecí stanici k zemi pomocí přiložených šroubů (obr.1)
- B. Jestliže dáte stanici na pevný povrch, upevněte ji pomocí šroubovacích fixačních prvků (nejsou součástí dodávky)



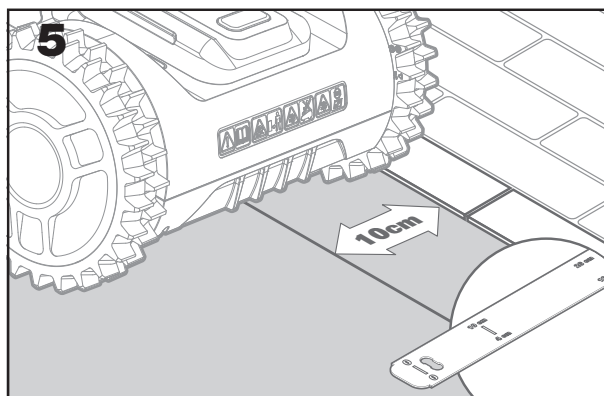
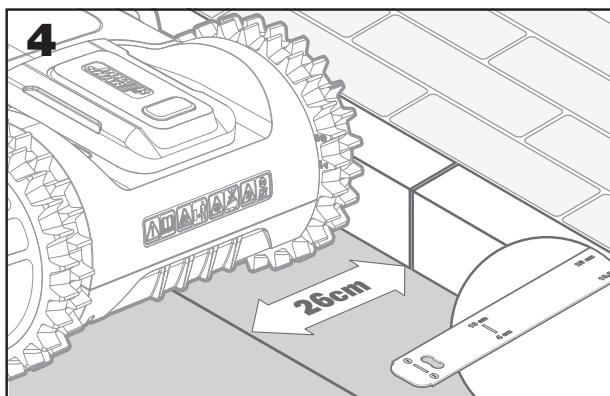
2. Připojte jeden konec okrajového drátu k nabíjecí stanici

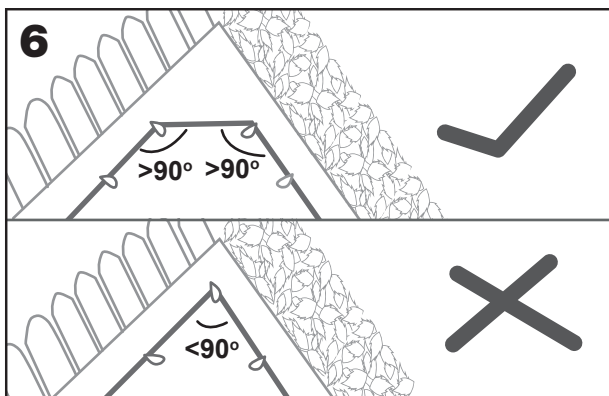
- A. Oholte konec drátu pomocí nůžek (obr. 2)
- B. Otevřete plastová dvířka a vložte oholený konec drátu do červené svorky (obr. 3)
- C. Protáhněte drát skrze vodící kanál v nabíjecí stanici, viz obr. 3



2.3.3 Položte okrajový drát kolem svého trávníku

- A. Pomocí dodávaného měřidla upravte vzdálenost drátu od okraje
- B. Je-li na okraji vašeho trávníku schod, je nutné vést drát 26 cm od něj (obr. 4)
- C. Není-li zde žádný schod, udržujte vzdálenost drátu 10 cm od okraje (obr. 5)
- D. Zajistěte, aby hraniční čára byla v každém rohu zcela rovná a úhel hraniční čáry byl větší než 90 °.

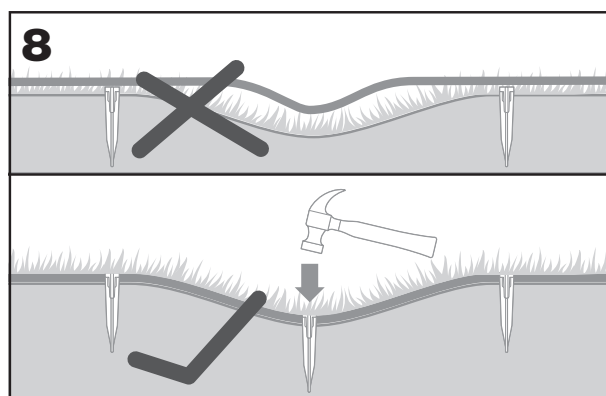
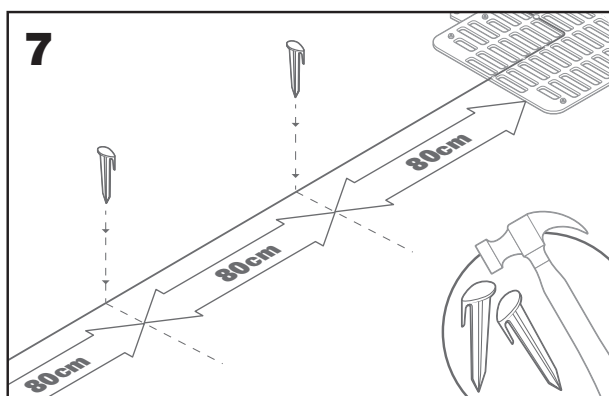




4. Zajistěte drát u země pomocí kolíků

A. Kolíky by měly být asi 80 cm od sebe (obr. 7)

B. Ujistěte se, že se drát vždy těsně dotýká země (obr. 8)



5. Dle potřeby vytvořte ochranné ostrůvky

A. Chraňte květinové záhony, rybníčky, kořeny stromů a další oblasti, a to tak, že kolem nich protáhnete okrajový drát

B. Od okraje trávníku vedte drát pod pravým úhlem k chráněné oblasti

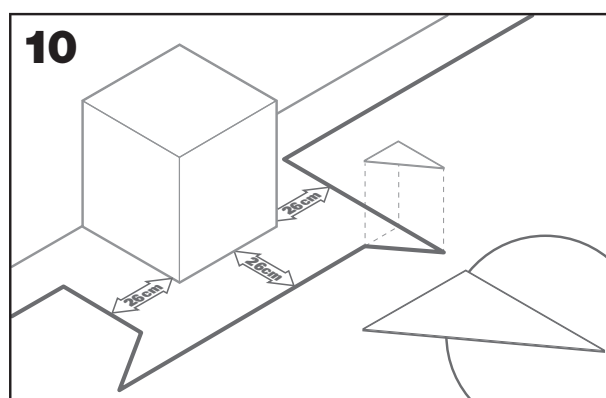
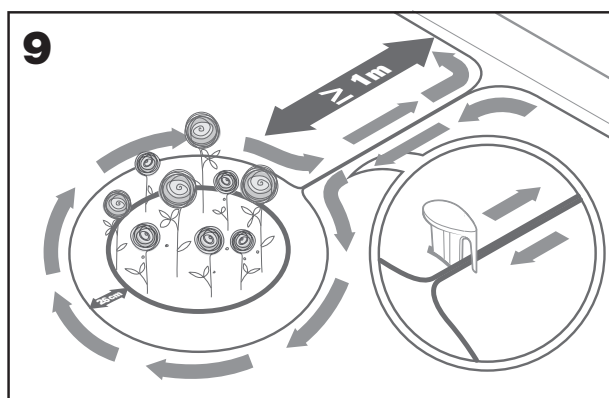
C. Obtáhněte oblast drátem, přitom udržujte vzdálenost 26 cm, a ochranný ostrůvek uzavřete

D. Drát vždy vedte ve směru hodinových ručiček. Jestliže tak neučiníte, sekačka vjede do ostrůvku

E. Vraťte se na okraj trávníku stejnou cestou

6. Bertelsenova metoda: jak vytvořit přesně 90° stupňů u rohů, které jsou čelem k trávníku

Jestliže máte na zahradě pravoúhlé rohy, které směřují dovnitř trávníku, použijte Bertelsenovo pravítko, které umožní sekačce provádět perfektní otočky (čímž se odstraní riziko, že sekačka Landroid při manévrování narazí na překážku na okraji trávníku).



7. Uzavřete smyčku

Jakmile dokončíte pokládání drátu na okruh kolem trávniku, budete zpět u nabíjecí stanice.

A. Protáhněte drát skrze vodící kanálek v nabíjecí stanici, až ke svorce (obr. 11)

B. Ustříhnete zbývající délku drátu a oholíte konec drátu pomocí nůžek

C. Vložte oholený konec do pravé, černé svorky

8. Finální kroky

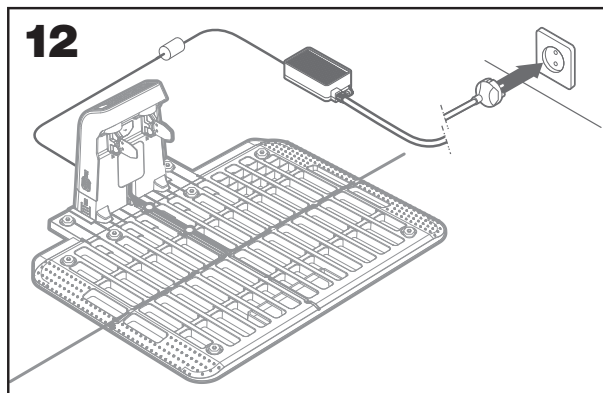
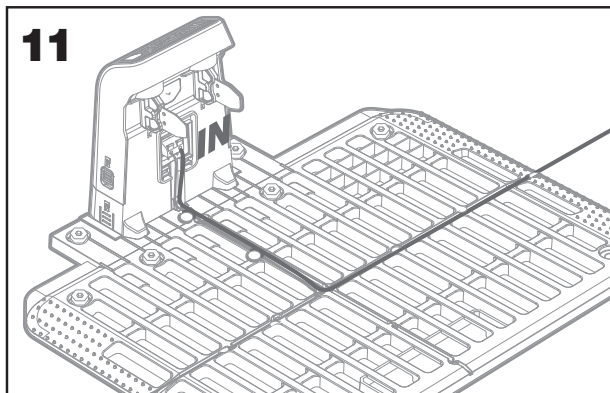
Tu nejnudnější část máte za sebou! Zbývá už jen pár kroků:

A. Připojte nabíjecí stanici do elektrické zásuvky (obr. 12)

B. Je-li všechno v pořádku, rozsvítí se kontrolka LED zeleně

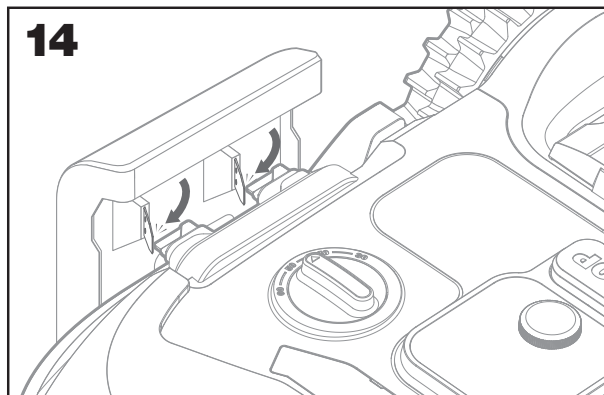
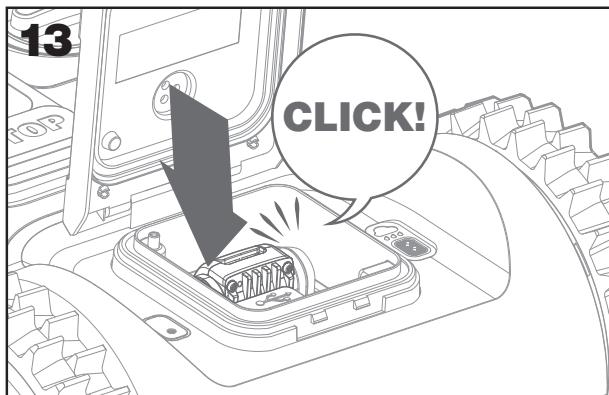
C. Jestliže je ve smyčce chyba, např. zlomený drát nebo nesprávně připojené konce drátu do svorek, kontrolka LED bude svítit červeně.

Zkontrolujte, zda je všechno v pořádku, případně se podívejte do části s často kladenými dotazy



D. Otevřete zadní část sekačky Landroid a vložte akumulátor PowerShare do slotu, dokud nezacvakne (obr.13)

E. Umístěte Landroid na nabíječku tak, aby byl zajištěn pevný kontakt se základnou (obr. 14). LED bude blikat zeleně; po úplném nabíjení baterie se LED dioda rozsvítí zeleně trvale.



F. Nechte sekačku Landroid chvilku nabíjet. Zatímco se nabíjí, je čas na zasloužený odpočinek po namáhavé práci: přečtěte si následující pokyny a připojte sekačku Landroid k síti Wi-Fi.

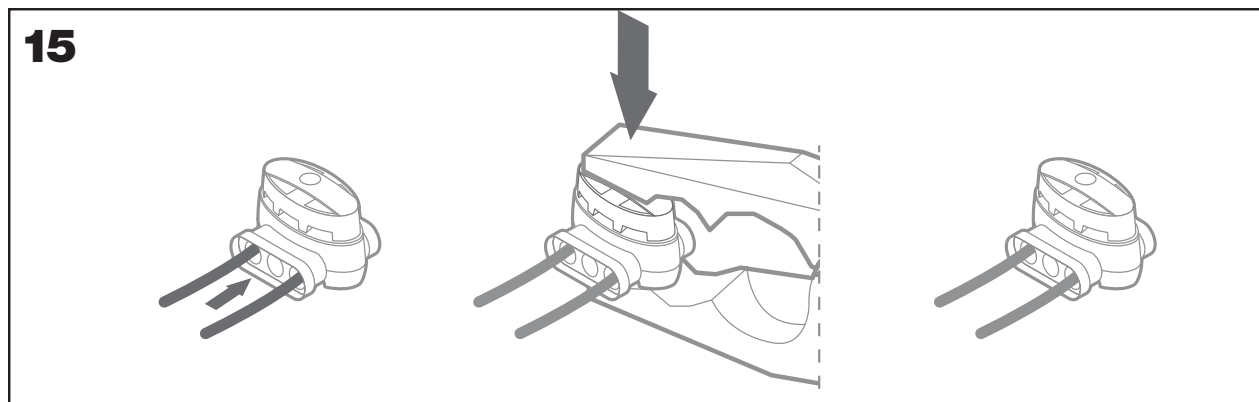
9. Spojení okrajového drátu

Balení obsahuje dva malé, voděodolné spojovací konektory. Lze je použít k následujícím věcem:

- A. Když má váš trávník velmi dlouhý obvod a potřebujete extra okrajový drát k dokončení instalace. Nepřekračujte 300 metrů okrajového drátu: to je maximální délka obvodu
- B. Když je okrajový drát omylem ustřižen a je nutné ho opravit
- C. Když se rozhodnete přepracovat zahradu a potřebujete upravit původní vedení okrajového drátu

Konektory jsou voděodolné a poskytují optimální elektrické spojení. (obr. 15)

- A. Vložte oba konce drátu do kterýchkoliv dvou otvorů ze tří na konektoru; dráty není třeba oholit
- B. Vložte dráty zcela tak, aby konce byly vidět na druhé straně konektoru
- C. Pomocí kleští pevně stiskněte konektor



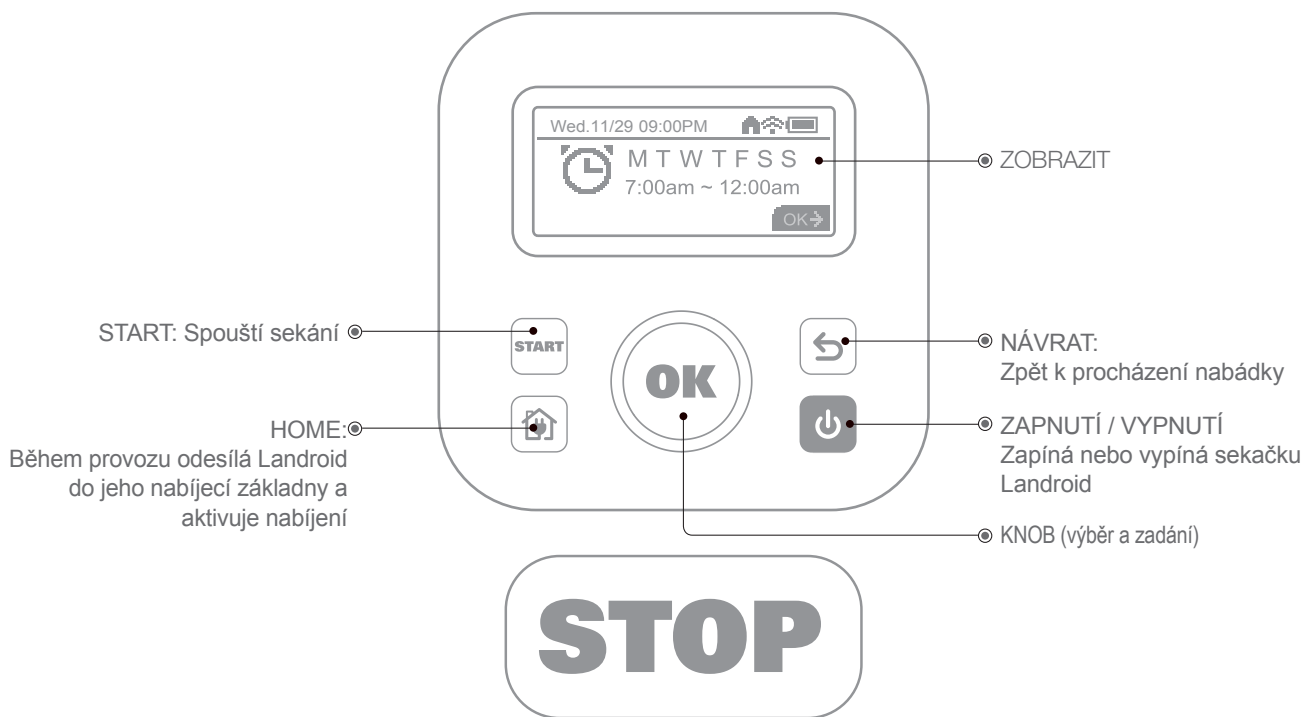
⚠ Pozor: nedoporučuje se jednoduše spojit okrajový drát pomocí izolační pásky nebo používat ke spojení svorkovnici. Po čase se může objevit vada ve spojení, protože vlhkost v zemi dokáže drát zoxidovat.

NYNÍ JE NA ČASE ZÁBAVA! PROVEĎTE PRVNÍ SPUŠTĚNÍ SEKAČKY LANDROID.









Seznamte se s ovládacím panelem

Ovládací panel sekačky Landroid nabízí klíčové funkce, přitom jeho design je minimalistický .

Pokročilé funkce lze ovládat pomocí bezplatné aplikace Landroid, která nabízí mnoho funkcí v bohatším rozhraní vašeho chytrého telefonu.



1. Spusťte sekačku Landroid

- Umístěte sekačku Landroid do prostoru ohraničeného okrajovým drátem
- Stiskněte tlačítko , dokud se nerozsvítí obrazovka. Poté zadejte PIN kód.
- Otáčením čísla  ve směru hodinových ručiček zvolte číslo a krátkým stisknutím tlačítka  potvrďte jeden po druhém. Obrazovka ukáže nápis „PIN code OK“
- Stiskněte tlačítko  a poté stiskněte . Sekačka Landroid začne sekat
- Sekačku Landroid můžete kdykoliv zastavit stisknutím tlačítka 
- Chcete-li sekačku Landroid poslat na nabíjecí stanici, stiskněte tlačítko  a poté 

Poznámka: Výchozí PIN kód je 0000.






OVLÁDACÍ PANEL LANDROID

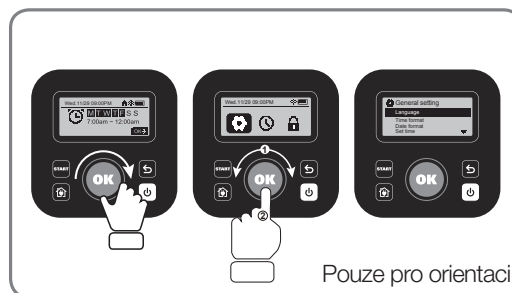
Pokročilé funkce v integrovaném rozhraní

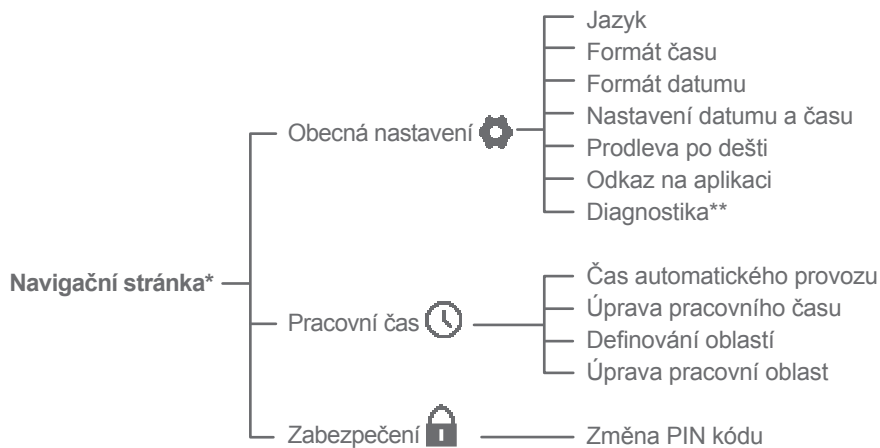
Přes svůj minimalistický design umožňuje ovládací panel nastavit několik pokročilých funkcí.

Nicméně nejlépe je nastavovat tyto funkce prostřednictvím bezplatné aplikace Landroid, která nabízí bohatší a intuitivnější rozhraní.

1. Založit

- Otáčením ve směru hodinových ručiček  vstupte do nastavení
- Poté otáčením  vyberte "Obecná nastavení"  / "Pracovní doba"  / "Zabezpečení" , krátkým stisknutím vstoupíte.
- Stejnou metodou proveďte následná opatření.






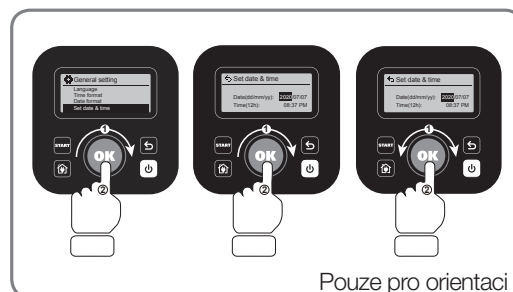


* Průběžně se aktualizuje podle verze softwaru.






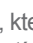


** Pouze pro poprodejní servis

2. Nastavte datum & čas

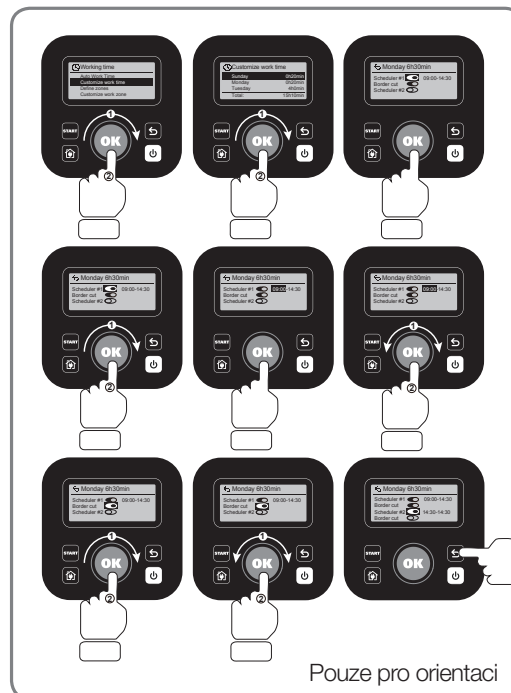
- A. Zpět na "Obecná nastavení"
- B. Otočit ve směru hodinových ručiček  "Nastavit datum & čas", krátkým stisknutím jej zadat.
- C. Poté otočte ve směru hodinových ručiček  Vybete možnost "Den" a Krátké stisknutí. Vybrané číslo bude blikat.
- D. Další , Otáčením  vyberte číslo a krátkým stisknutím potvrďte. Stejnou metodou použijte k vyplnění položky "Měsíc / rok / čas".



3. Vlastní pracovní doba

- A. Zpět na "pracovní dobu"
- B. Otočit ve směru hodinových ručiček  Přejděte na "Vlastní pracovní doba" a krátkým stisknutím ji otevřete.
- C. Otočit ve směru hodinových ručiček  Vybete den v týdnu a poté krátce stiskněte.
- D. Poté stisknutím  zadejte nastavení.
- E. Otočením ve směru hodinových ručiček  aktivujete "Časový plán#1 *". Krátké stisknutí pro potvrzení.
- F. Dále otáčení ve směru hodinových ručiček Vybete počáteční čas "hodina / minuta" a poté krátkým stisknutím zadejte nastavení. Vybrané číslo bude blikat.
- G. Otočením  vyberte čas zahájení, který má LANDROID oříznout k určitému datu, poté krátkým stisknutím potvrďte. Stejnou metodu použijte k dokončení doby zastavení.
- H. Poté otáčení ve směru hodinových ručiček  a krátkým stisknutím přejděte do nastavení "řezání rámu".
- I. Otočením  vyberte, zda se má aktivovat "Oříznutí okraje", a poté krátkým stisknutím potvrďte.
- J. Pokud chcete nastavit "Časový plán#2 *", použijte stejnou metodu jako výše.
- K. Stiskněte  a stejnou metodou nastavte pracovní dobu ostatních pracovních dnů.

* Za jeden den lze nastavit dva plány.



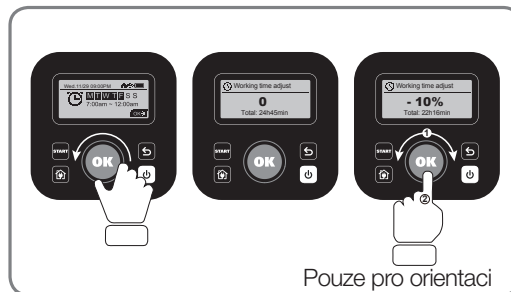
4. Úprava pracovní doby

Můžete rychle upravit pracovní dobu týdne. Zvýšení / snížení času bude rovnoměrně přiděleno požadovaným pracovním dny

- A. Návrat na hlavní obrazovku.
- B. Otočení proti směru hodinových ručiček **OK** Aktivace nastavení pracovní doby .

POZNÁMKA: Celkový čas vychází z vlastní pracovní doby a lze jej upravit v 10% gradientu.

- C. Poté otáčejte **OK** pro nastavení a krátkým stisknutím potvrďte.

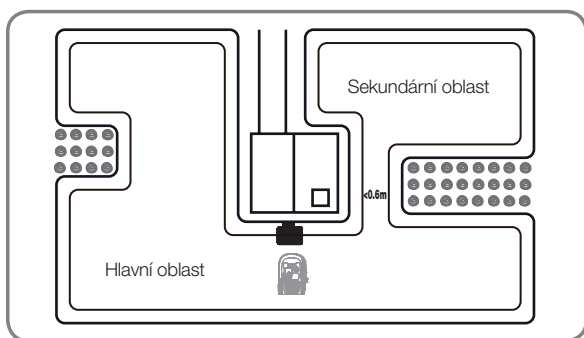


Pouze pro orientaci

5. Nastavení jednoho řezu

Pokud má váš trávník více ploch propojených chodbami, měla by být šířka alespoň 0,6m . Pokud je chodba užší než 0,6m , Landroid bude mít potíže se mezi nimi pohybovat. V tomto případě se doporučuje na trávníku zřídit primární a sekundární plochy. Hraniční čára by měla být umístěna tak, jak je znázorněno.

Pro flexibilní pracovní nastavení (zda se vrátit k nabíjecí stanici a zda snížit hranici), zejména když je Landroid umístěn v pomocné oblasti bez nabíjecí stanice, Časy zkráceny.

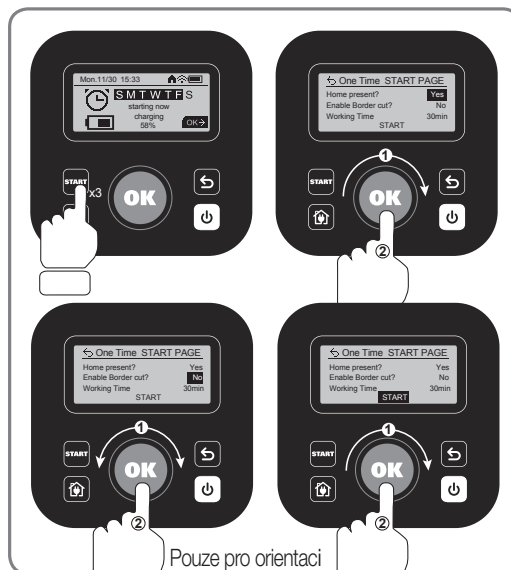


- Umístěte Landroid do hraniční čáry.
- Když je váš Landroid připojen k nabíjecí základně .
- A. Návrat na hlavní obrazovku.
- B. Tříkrát rychle stiskněte **START** .
- C. Otočit ve směru hodinových ručiček **OK** Vyberte "Domácí dárek?- ANO / NE " (bez ohledu na nabíjecí stanici , zda je v dané oblasti), poté krátkým stisknutím otevřete nastavení. Vybrané slovo bude blikat a krátkým stisknutím ho potvrdíte.
- D. Dále otočte **OK** Vyberte možnost "Povolit ořezávání okrajů ano / ne" (zda chcete ořezávat okraje) a poté krátce stiskněte. Vybrané slovo bude blikat a krátkým stisknutím ho potvrdíte. Stejnou metodou pak vyplňte "pracovní dobu".
- E. Poté otočte ve směru hodinových ručiček **OK** Vyberte možnost "Start" a krátkým stisknutím spusťte ořezávání

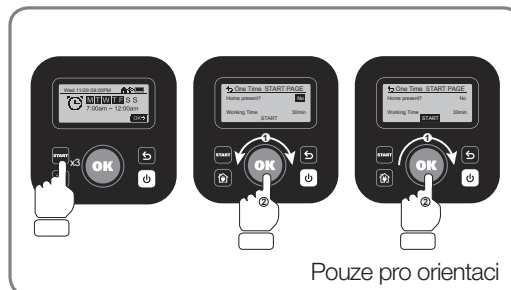
Pozor : Landroid se vrátí na nabíjecí stanici Nabití baterie Čas vyčerpání nebo zkrácení času vypršel. Pokud je Landroid plně nabitý a nastavený čas nevypršel, bude Landroid pokračovat v sečení až do konce času.

- Když je váš Landroid odpojen od nabíjecí stanice ,
- A. Návrat na hlavní obrazovku.
- B. Rychle stiskněte **START** třikrát.
- C. Otočit **OK** Vyberte "Domácí dárek? - ANO / NE " (Nabíjecí stanice At se nachází v této oblasti) a krátce stiskněte Zadejte nastavení . Vybrané slovo bude blikat a krátkým stisknutím ho potvrdíte. Stejnou metodu použijte k dokončení "pracovní doby".
- D. Poté otočte ve směru hodinových ručiček **OK** Vyberte možnost "Start" a krátkým stisknutím spusťte ořezávání

Poznámka: Když se váš Landroid nachází v hlavní oblasti (obvykle umístěný na nabíjecí stanici), vrátí se nabíjecí stanice se používá k nabíjení, když je baterie vybitá nebo vypršela doba řezání. Pokud je Landroid plně nabitý a nastavený čas nevypršel, bude Landroid pokračovat v sečení až do konce času. Když je váš Landroid v sekundární oblasti, přestane sekat a zůstane tam, kde je, když je baterie vybitá, nastal čas sečení, Landroid narazí na nějaké problémy (například havárii a další) nebo ručně stisknete "STOP".



Pouze pro orientaci



Pouze pro orientaci

PŘIPOJENÍ SEKAČKY LANDROID K INTERNETU

Proč připojit sekačku Landroid k internetu

Váš Landroid lze připojit přes Wi-Fi nebo Bluetooth.

Sekačka Landroid patří mezi zařízení typu IoT (internet věcí). Chcete-li ze své sekačky získat maximum, je nutné neustále aktualizovat její software, k tomu je potřeba připojení k internetu prostřednictvím sítě Wi-Fi



NEŽ ZAČNETE

1. Stáhněte si aplikaci

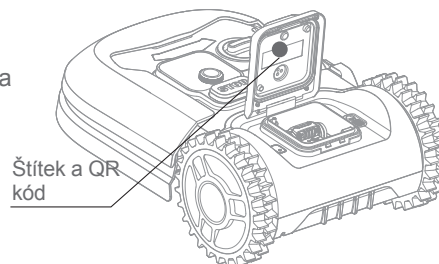
Nejprve stáhněte bezplatnou aplikaci Landroid. Je možné ji stáhnout z obchodů pro Android nebo pro Apple

2. Ujistěte se, že máte:

A. Heslo k vaší síti Wi-Fi / Funkce Bluetooth na smartphonu

B. Sériové číslo sekačky Landroid: naleznete ho na štítku pod zadním krytem stroje.

Jestliže nechcete 20místné sériové číslo přepisovat, lze ho zadat pomocí QR kódu a fotoaparátu na vašem chytrém telefonu.



3. Zkontrolujte nastavení

Připojení Wi-Fi

A. Sekačka Landroid funguje na síti Wi-Fi v pásmu 2,4 GHz

B. Ujistěte se, že je sekačka připojena ke stejnému routeru jako váš chytrý telefon

C. Ujistěte se, že vzdálenost mezi sekačkou Landroid, chytrým telefonem a routerem je co nejmenší

Tip: Když se sekačka Landroid dostane do oblasti zahrady, kde je špatný nebo žádný signál sítě Wi-Fi, pokyny zadané skrze aplikaci budou provedeny až poté, co se vrátí do oblasti s dobrým signálem.

Bluetooth připojení

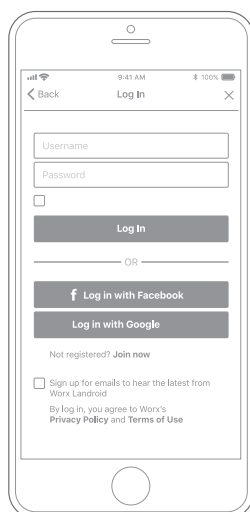
A. Je aktivována funkce Bluetooth ve smartphonu.

B. Ujistěte se, že je váš Landroid v připojitelné vzdálenosti.

JAK PŘIPOJIT SEKAČKU LANDROID K INTERNETU

Spustěte aplikaci a postupujte podle těchto pokynů.

1. Zaregistrujte svůj účet



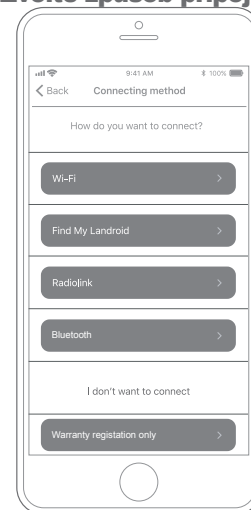
Zaregistrujte svůj účet zadáním uživatelského jména a hesla, nebo přihlášením se skrze účet služby Facebook či Google.

2. Zadejte sériové číslo sekačky Landroid



Zaregistrujte svoji sekačku Landroid zadáním sériového čísla, ručně, nebo pomocí QR kódu.

3. Zvolte způsob připojení



Vyberte si svou Wi-Fi síť nebo Bluetooth, nebo se můžete připojit k Landroidu hledáním možnosti Landroid nebo RadioLink.

Jestliže vaše síť Wi-Fi nepokrývá celý prostor trávníku, zvažte zakoupení funkce RadioLink, která zvyšuje dosah signálu až do vzdálenosti 300m.

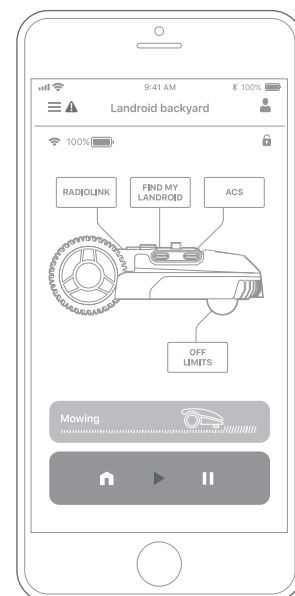
Alternativou je také zakoupení funkce Find My Landroid, která kromě připojení vaší sekačky Landroid k internetu skrze zabudovanou SIM kartu umožňuje sledovat její polohu v případě, že je sekačka zcizena.

APLIKACE LANDROID VÍCE NEŽ DÁLKOVÝ OVLADAČ

Nemyslete si, že jde pouze o jakýsi dálkový ovladač. Aplikace je integrální součástí pokročilého systému Worx Landroid, který využívá cloud computing a umělou inteligenci.

Díky funkci rozšířené virtuální reality můžete skrze aplikaci změřit přesnou plochu svého trávníku. Stačí se jen projít podél jeho okraje.

Rychlost růstu trávy ovlivňuje mnoho faktorů. Landroid je kombinuje, aby určil nejlepší úpravu vašeho trávníku. Den co den



⚠ UPOZORNENIE: Preštudujte si všetky bezpečnostné pokyny a inštrukcie. *Nedodržanie bezpečnostných pokynov a inštrukcií môže viesť k úrazu elektrickým prúdom, k vzniku požiaru alebo k vážnemu úrazu.*

Pozorne si prečítajte všetky bezpečnostné pokyny týkajúce sa bezpečného použitia tohto zariadenia. Všetky výstrahy a bezpečnostné pokyny uschovajte na ďalšie použitie.

AKO LANDROID FUNGUJE

V nasledujúcej časti vám pomôžeme lepšie pochopiť, ako Landroid funguje.

Landroid je autonómne zariadenie, ktoré dokáže fungovať samo o sebe. Vie, kedy treba ísť k nabíjacej stanici, vie, kedy prší, dokáže sa zastaviť, ak zistí problém, a dokáže sa zastaviť, cúvnuť a otočiť sa, keď narazí do niečoho, čo blokuje jeho dráhu. Na zabránenie nehode Landroid tiež automaticky prestane otáčať žací kotúč v prípade zdvihnutia zo zeme.

Vlastné nabíjanie



Keď sa Landroid potrebuje nabiť, prestane kosiť a popri ohraničujúcom drôte proti smeru hodinových ručičiek sa vráti k nabíjacej základni. Po nabití bude Landroid automaticky pokračovať v kosení alebo zostane v nabíjacej základni podľa harmonogramu kosenia.

Okraje trávnik



Program Landroid je naprogramovaný na kosenie trávy po obvode trávnik dvakrát týždenne v Pondelok a Piatok. Ak chcete zmeniť toto predvolené nastavenie, môžete ho zmeniť pomocou smartfónu alebo pomocou ovládacieho panela v ponuke Work time - Customise Work time (Pracovný čas - Prispôbiť pracovný čas).

Pozrite si podrobné pokyny na konci tohto návodu.

Dažďový senzor



Landroid je 100 % odolný voči vplyvom počasia a môže byť neustále vonku. Kosením mokrého trávnik sa však nedosiahne najlepší povrch, resp. výsledok. Landroid je vybavený dažďovým senzorom, ktorý rozpoznáva dažď a dáva Landroidu pokyn, aby prestal kosiť a vrátil sa na nabíjaciu základňu.

Čas oneskorenia po daždi



Po daždi sa Landroid znova spustí, keď už tráva nie je mokrá. Predvolený čas oneskorenia po daždi je 180 minút. Nastavenie času oneskorenia po daždi môžete zmeniť pomocou aplikácie Landroid

V prípade extrémnejších poveternostných podmienok



V prípade búrky chráňte Landroid odpojením nabíjacej základne, odpojením ohraničujúceho drôtu a uistením sa, že Landroid sa nemôže nabíjať. V zime a predovšetkým v prípade veľmi studeného počasia a snehu odporúčame skladovať Landroid vnútri. V niektorých krajinách ponúkame zimnú údržbu Landroida, aby bol pripravený na jarne vegetačné obdobie. Ďalšie informácie získate od predajcu alebo na internete.

Už netreba zberať malé kúsky trávy



Každodenným kosením Landroid vytvára veľmi krátke kúsky trávy, ktoré netreba zhrabávať. Tieto kúsky sú skvelým organickým hnojivom trávniku. Častým kosením sa zvyšuje hustota listov trávy a účinne sa zabraňuje množeniu buriny.

Kosenie až po okraje



Špeciálne odsadená čepeľ sa dostane čo najbližšie k okraju trávniku, vďaka čomu už nebude potrebné takmer alebo vôbec žiadne dodatočné vyžínanie.

Výška kosenia



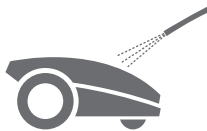
Pred prvým spustením Landroida sa uistite, že tráva nie je dlhšia ako 10 cm. Ak je dlhšia, najskôr ju pokoste bežnou kosačkou, až potom použite Landroid. Ak chcete výrazne skrátiť trávnik, odporúča sa robiť to postupne upravovaním výšky kosenia po krokoch.

Zabezpečenie a ochrana PIN kódom



Na zabránenie používaniu neoprávnenými osobami je Landroid chránený PIN kódom, ktorý si môžete ľahko nastaviť.

Ľahko sa čistí



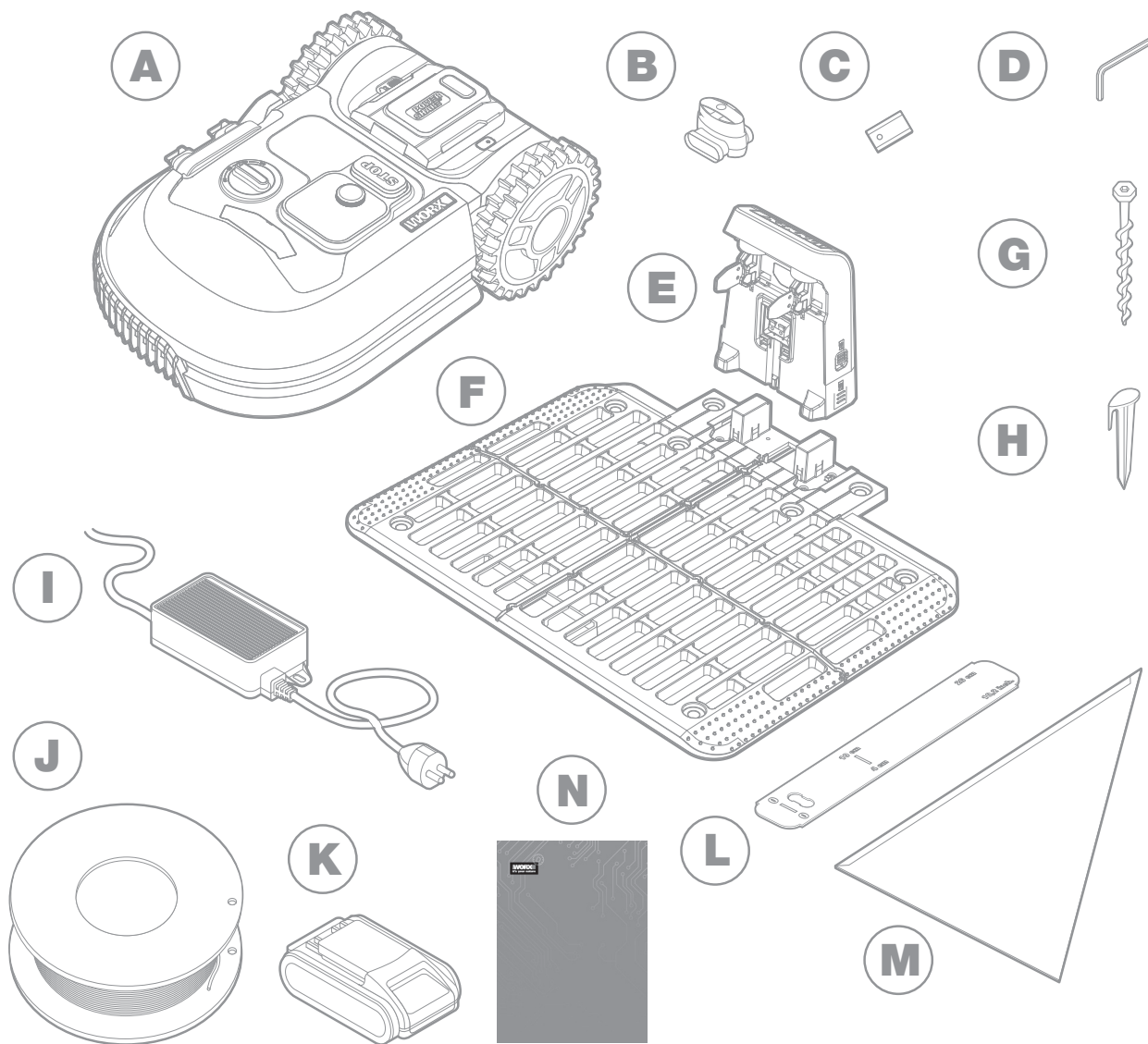
Vďaka svojej vodeodolnej funkcii IPX5 sa Landroid zbavuje prachu, trávniku a drsného prostredia, s ktorým sa stretáva pri práci. Nechajte Landroid vyzerat' a podávať lepšie výkony.

Pozemný tracker



Vďaka novej konštrukcii automatického zdvíhania je možné lopatky automaticky zdvihnúť, aby bola zaistená väčšia vzdialenosť. To pomáha spoločnosti Landroid vyhnúť sa určitým situáciám, ktoré by blokovali iné kosačky na trávu.

OBSAH BALENIA



Obrázok je iba informatívny

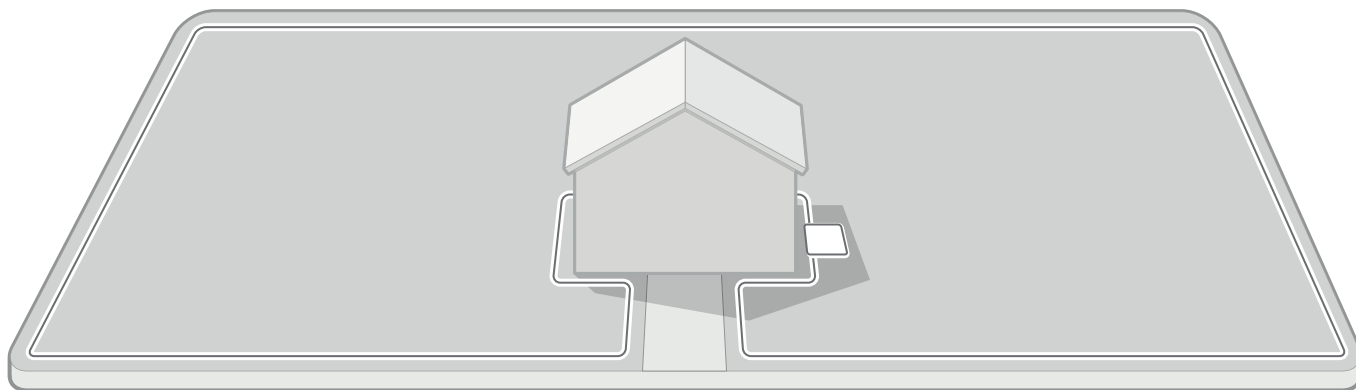
A	Worx Landroid
B	Konektory na opravu/spájanie drôtu
C	Súpravy náhradných čepelí
D	Šesthranný Kľúč
E	Nabíjacia hromada
F	Nabíjacia stanica
G	Skrutiek

H	Kolíky na drôt
I	Napájací zdroj
J	Ochraničujúci drôt
K	20 V batéria
L	Mierky na ochraničujúci drôt
M	Bertelsenovo pravítko
N	Príručka

INŠTALÁCIA

Inštalácia kosačky Worx Landroid je jednoduchšia, ak budete dôkladne postupovať podľa týchto pokynov. V konečnom dôsledku ide len o inštaláciu nabíjacej stanice a polozenie ohraničujúceho drôtu okolo trávniku. Okrem tohto návodu môžete použiť úvodnú príručku, ktorá sa nachádza v balení, a pozrieť si podrobné videokurzy na našom kanáli na YouTube*.

* Tieto informácie sa poskytujú pre vaše pohodlie a nenahrádzajú návod na používanie a bezpečnostné pokyny, ktoré je nutné si prečítať a pochopiť.



Preskúmajte trávnik na naplánovanie inštalácie

Nainštalujte nabíjajúcu stanicu

Položte ohraničujúci drôt

Zapojte nabíjajúcu stanicu do zásuvky

Zapnite Landroid. Vyskúšajte a pripravte sa na kosenie

KAŽDÁ MINÚTA STRÁVENÁ PLÁNOVANÍM VÁM UŠETRÍ 10 MINÚT PRI REALIZÁCII

Inštalácia Landroida je ešte jednoduchšia, ak máte jasnú predstavu o tom, čo máte robiť. Správne plánovanie vám tiež pomôže vyhnúť sa chybám alebo nutnosti prepracovania inštalácie po jej dokončení.

1. Na povrchu alebo pod povrchom?

Ohraničujúci drôt Landroida je navrhnutý tak, aby zostal na povrchu trávniku. Od prvého dňa bude takmer neviditeľný a v priebehu niekoľkých týždňov sa postupne „zapraví“ do pôdy. Ak však drôt chcete vložiť do zeme, odporúča sa najskôr ho upevniť pomocou kolíkov a vyskúšať úspešnosť inštalácie spustením Landroida popri obvode. Vďaka tomu budete môcť jednoducho všetko prekontrolovať a v prípade potreby zmeniť usporiadanie pred vložením drôtu do zeme. Drôt zakopte max. pár centimetrov pod povrch, aby zaručoval dobrý signál.

2. Plánovanie miesta pre nabíjajúcu stanicu

Nabíjajúca stanica, pozostávajúca z nákladnej hromady a nakladacej základne, je miesto, kam si Landroid chodí dobiť batériu. Takisto predstavuje parkovisko, kde kosačka „odpočíva“ medzi koseniami.

Nájdite pre ňu vhodné miesto so zohľadnením nasledovných kritérií:

A Musí byť zapojená do elektriny, takže by mala byť max. 10 m od elektrickej zásuvky

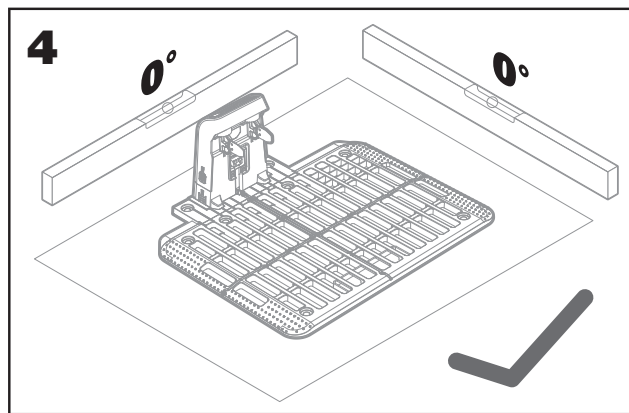
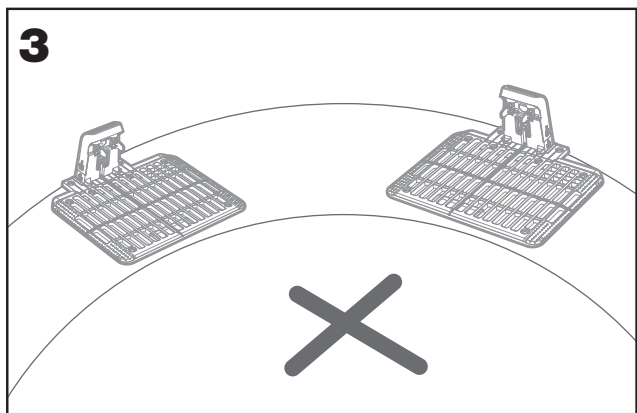
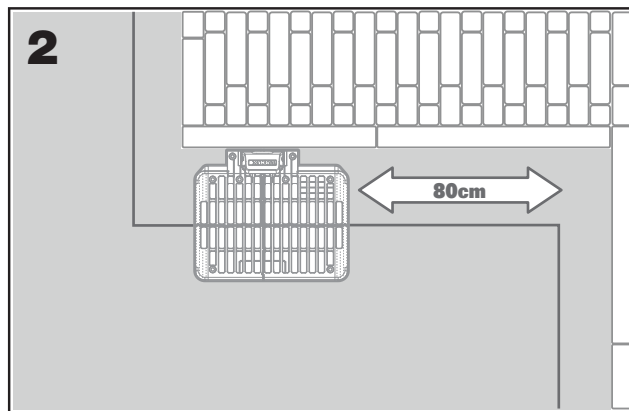
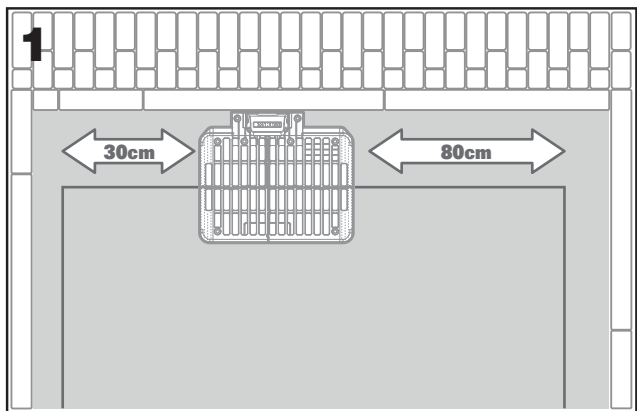
B Ak je to možné, vyberte miesto v tieni, pretože batérie a nabíjačky nemajú rady prehrievanie

C Základňa musí byť na rovnom povrchu, aby sa zaručilo účinné dokovanie

D Vyhybajte sa miestam v blízkosti zavlažovacích postrekovačov

Nabíjaciu stanicu môžete umiestniť na trávniku alebo na tvrdom povrchu, ako je napríklad chodník, za predpokladu, že trávnik a tvrdý povrch sú v rovnakej výške (žiadne schody).

Na príjazd do stanice Landroid vyžaduje aspoň 80cm priamu dráhu pred stanicou. Na výstupnej strane je potrebných aspoň 30cm priamej dráhy pred zabočením doľava (obr. 1). Ak má zabočiť doprava, priama dráha sa nevyžaduje (obr. 2).

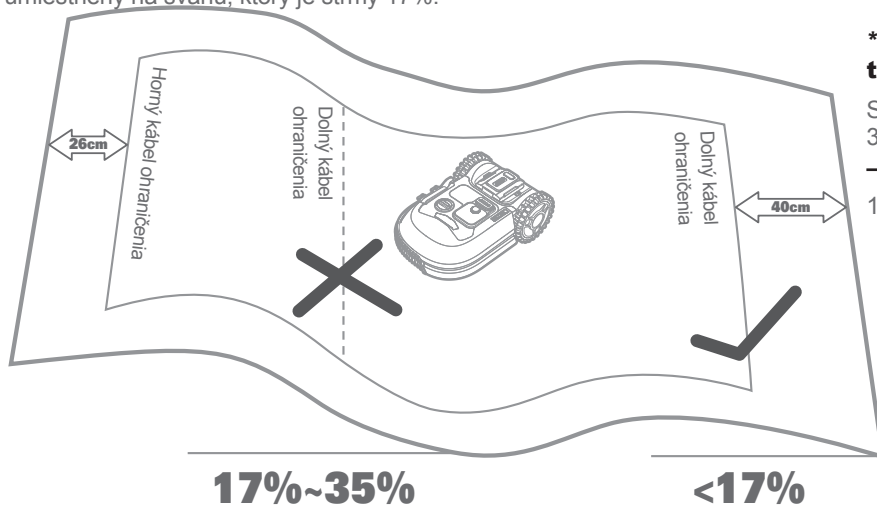


3. Kontrolný zoznam pre nabíjaciu stanicu:

- A . v dosahu elektrickej zásuvky
- B . v tieni
- C . priama dráha na vstupe, priama dráha na výstupe v prípade
- D . potreby rovná plocha
- E . žiadne zavlažovacie postrekovače v blízkosti

4. Umiestnenie kábla ohraničenia na svahoch

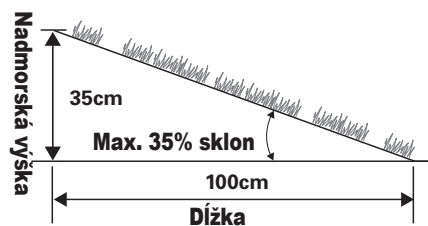
Horný kábel ohraničenia NESMIE byť umiestnený na svahoch strmších ako 35% (20 °)*. Dolný kábel ohraničenia NESMIE byť umiestnený na svahoch strmších ako 17% (10 °) a mal by byť umiestnený najmenej 40 cm od akejkoľvek prekážky, ak je umiestnený na svahu, ktorý je strmý 17%.



*** Ako vypočítať sklon vášho trávniku?**

Sklon teda bude:

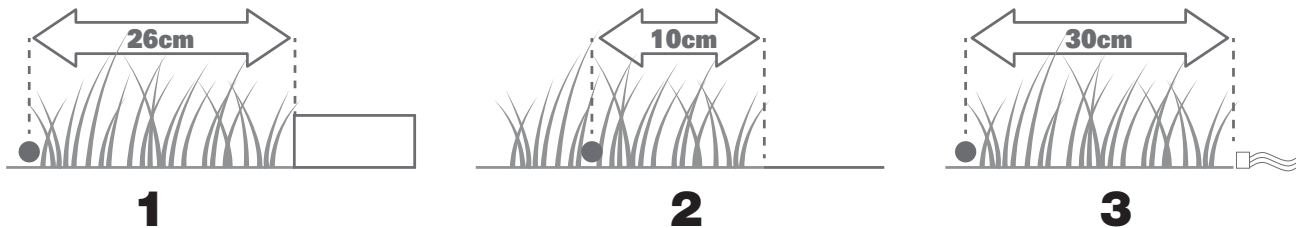
$$\frac{35\text{cm (Nadmorská výška)}}{100\text{cm (Dĺžka)}} = 35\% \text{ (Sklon)}$$



5. Plán pre ohraničujúci drôt

Drôt musí byť umiestnený v určitej vzdialenosti od okraja trávniku. Vzdialenosť sa líši podľa toho, čo sa nachádza za okrajom. Hranica trávniku môže zahŕňať rôzne situácie:

- A. Ak okraj trávniku hraničí so schodom: drôt umiestnite 26cm od okraja. (Obrázok 1)
- B. Ak okraj trávniku hraničí s chodníkom v rovnakej výške: drôt umiestnite 10 cm od okraja. (Obrázok 2)
- C. Ak hranicu okraje trávniku tvoria bazén: udržujte kábel ohraničenia 30 cm od jeho okraja. (Obrázok 3)



Ak strana trávniku hraničí so susedným trávnikom, kde je používaná robotická kosačka, položte kábel ohraničenia aspoň 1 m od vodiče suseda, aby nedošlo k ich vzájomnému rušeniu.

PRESKÚMAJTE TRÁVNIK

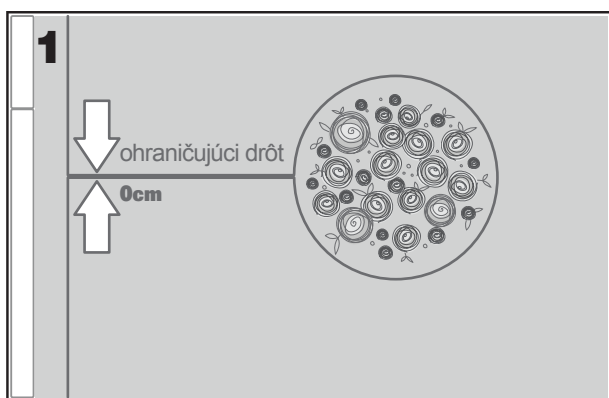
Landroid je navrhnutý tak, aby zvládol aj tie najzložitejšie trávniky. Vizuálne skontrolujte trávnik, aby ste boli pripravení na bezproblémovú inštaláciu ohraničujúceho drôtu.

1. Identifikujte zakázané oblasti

Ak si neželáte, aby vaše kosačka na trávu kosila kvety, spadla do vody alebo zničila korene stromov, ktoré trčia zo zeme. Vyhľadajte takéto miesta a ohraničte ich drôtom, aby Landroid do nich nevstupoval.

Ohraničujúci drôt je jednoduchá slučka pripojená na oboch koncoch k nabíjacej stanici, takže budete musieť s vodičom odísť od okraja, ohraničiť oblasť, ktorú chcete chrániť, a potom sa vrátiť k okraju, ako je to znázornené na obr. 1. Ak sú chránené oblasti ďaleko od okraja trávniku alebo ak chcete chrániť viacero oblastí či koreňov stromov, táto tradičná metóda môže byť časovo náročná.

Skvelou alternatívou je zakúpiť si doplnkovú možnosť Landroida s názvom Off-Limits. Vďaka tomu vám bude stačiť ohraničiť zakázané oblasti digitálnym plotom Off-Limits, ktorý nemusí byť pripojený k ohraničujúcej slučke (obr. 2). Digitálny plot Off-Limits je skvelý aj na ochranu sezónneho vybavenia (napr. trampolíny) alebo na ochranu nových zmien v usporiadaní trávniku bez toho, aby ste museli nanovo položiť ohraničujúci drôt.



2. Identifikujte prekážky

Senzor nárazov Landroida umožňuje vyhýbať sa pevným prekážkam, ako sú stromy, nábytok a podobne, ktoré nemusia byť ohraničené drôtom. Ak má trávnik viacero prekážok a stromov blízko pri sebe, odporúčame zakúpiť si doplnkovú možnosť Landroida s názvom ACS, čo je inteligentný ultrazvukový autopilot, ktorý Landroidu umožňuje obchádzať prekážky namiesto toho, aby do nich narážal.

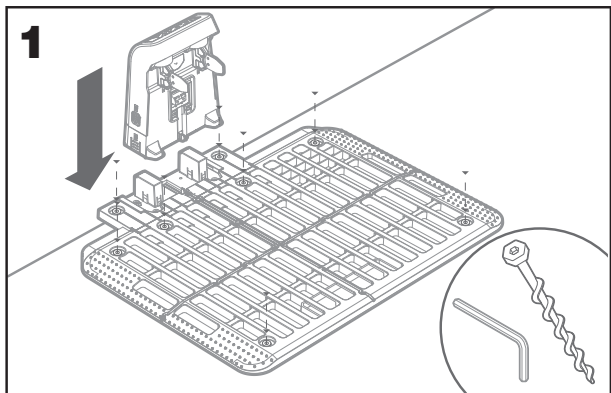
TERAZ SI VYHRŇTE RUKÁVY A PUSTITE SA DO PRÁCE!

Keď máte inštaláciu naplánovanú do posledného detailu, ste pripravení pustiť sa do práce. Ešte predtým však môže byť vhodné naposledy pokosiť trávnik starou kosačkou na zjednodušenie inštalácie.

1. Upevnite nabíjaciu stanicu na určenom mieste

A. Vložte nabíjaciu hromadu do nabíjacej základne. Potom pomocou priloženého šesťhranného kľúča pripevnite nabíjaciu stanicu k zemi pomocou priložených skrutiek (obr. 1)

B. Ak základňu umiestnite na pevný povrch, upevnite ju pomocou hmoždiniek a skrutiek (nie sú súčasťou dodávky)

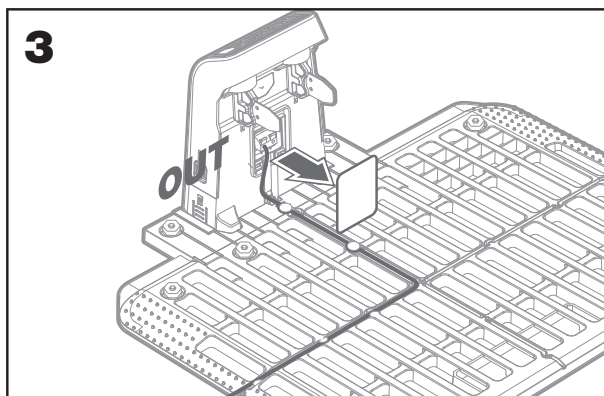
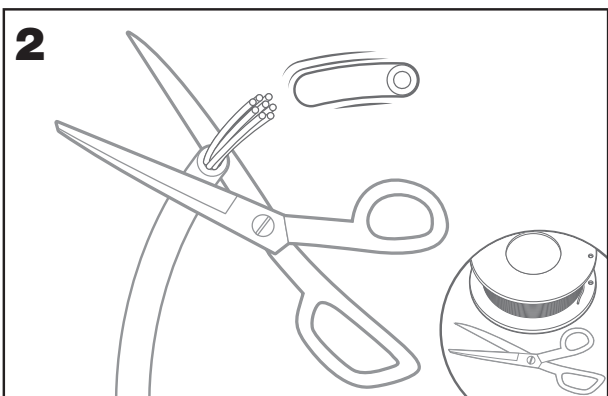


2. Pripojte jeden koniec ohraničujúceho drôtu k nabíjacej stanici

A. Odizolujte koniec drôtu pomocou nožníc (obr. 2).

B. Otvorte plastové dverka a vložte odizolovaný koniec do červenej ľavej svorky (obr. 3)

C. Vedte drôt cez priechodku v základni podľa obr. 3



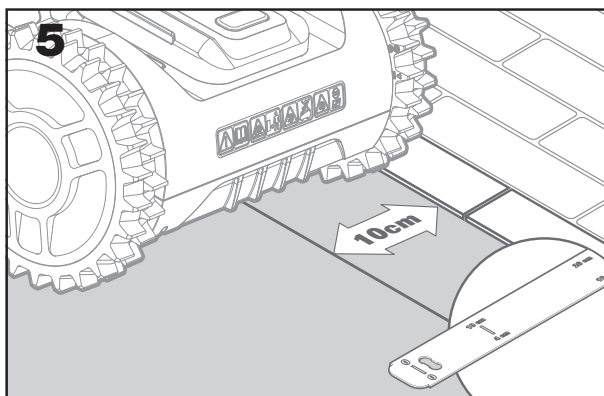
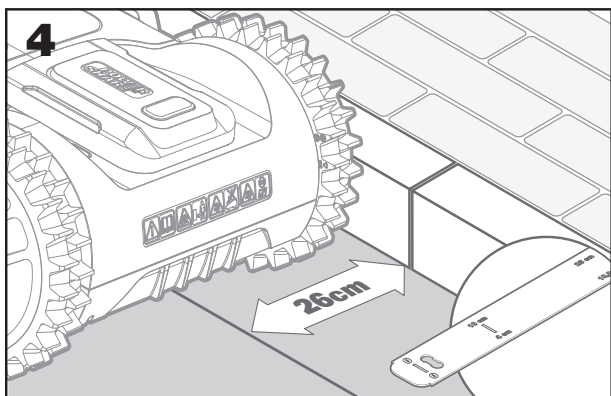
3. Položte ohraničujúci drôt okolo trávnika

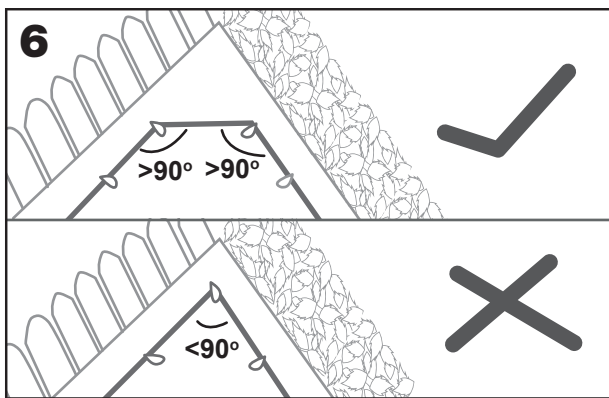
A. Pomocou dodávanej mierky nastavte vzdialenosť drôtu od okraja

B. Ak je na okraji trávnika schod, drôt umiestnite vo vzdialenosti 26 cm od okraja (obr. 4)

C. Ak je za trávnikom povrch v rovnej výške, drôt umiestnite vo vzdialenosti 10 cm od okraja (obr. 5)

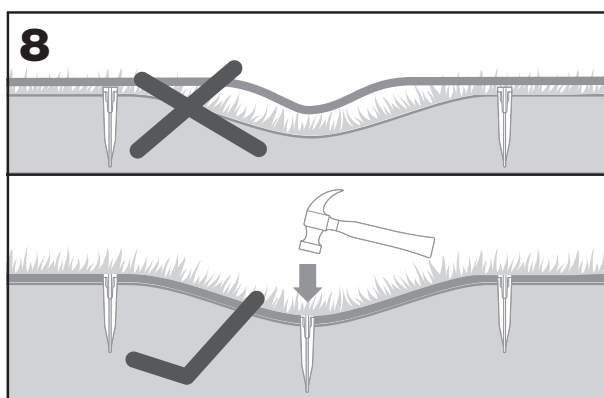
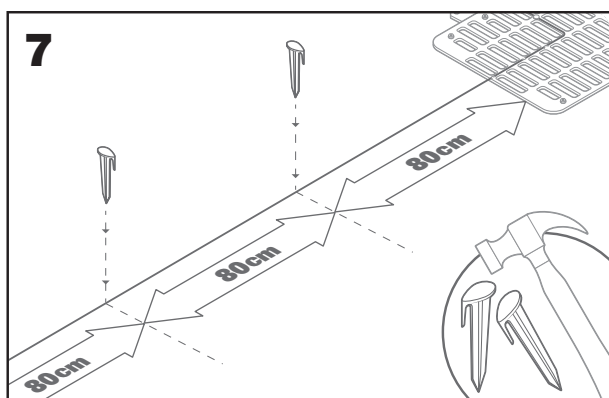
D. Uistite sa, že hraničná čiara je v každom rohu úplne rovná a uhol hraničnej čiar je väčší ako 90 °.





4. Drôt prichytávajújte k zemi pomocou kolíkov

- A. Kolíky umiestňujte približne 80cm od seba (obr. 7)
- B. Dbajte na to, aby drôt neodstával od zeme (obr. 8)

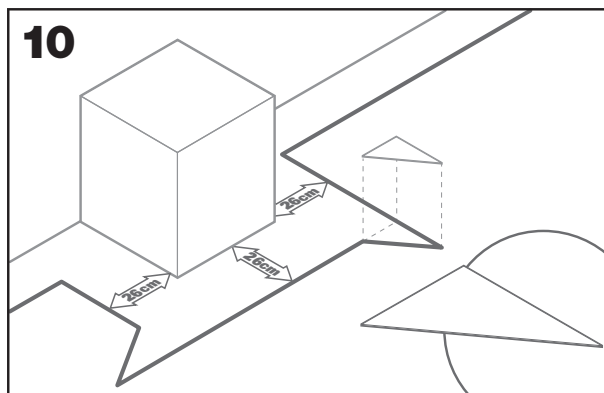
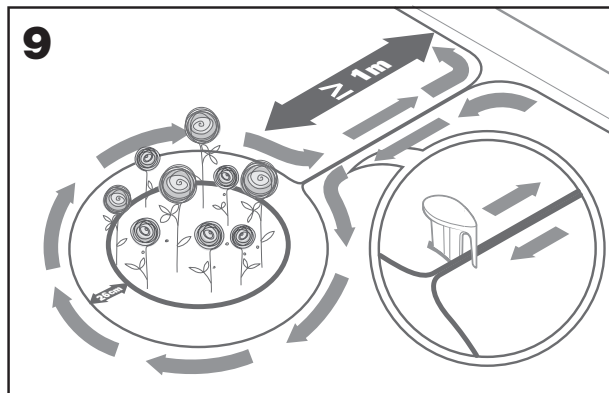


5. V prípade potreby vytvorte ostrovy bez kosenia

- A. Chránite kvetinové záhony, jazierka, korene stromov a iné oblasti ich ohraničením ohraničujúcim drôtom
- B. Odchýľte sa od okraja v pravom uhle na dosiahnutie plochy, ktorá sa má chrániť
- C. Ohraničte oblasť drôtom, pričom dbajte na vzdialenosť 26cm, kým neuzavriete ostrov
- D. Drôt vždy kladte v smere hodinových ručičiek. V opačnom prípade kosačka vojde na ostrov
- E. Vráťte sa k okraju trávniku po rovnakej dráhe

6. Bertelsenova metóda: ako vytvoriť dokonalé 90° uhly s rohmi smerom k trávniku

Ak máte 90-stupňové rohy smerujúce dovnútra trávniku, pomôžte Landroidu dokonale zabáčať pomocou Bertelsenovho pravítka (a zároveň predídete riziku, že Landroid pri tomto manévri narazí na prekážku na hranici trávniku).



7. Uzavríte slučku

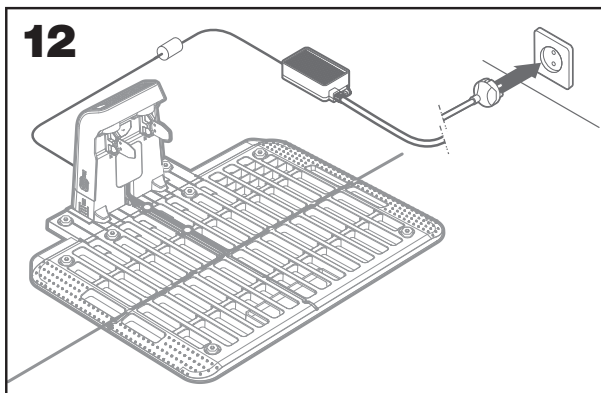
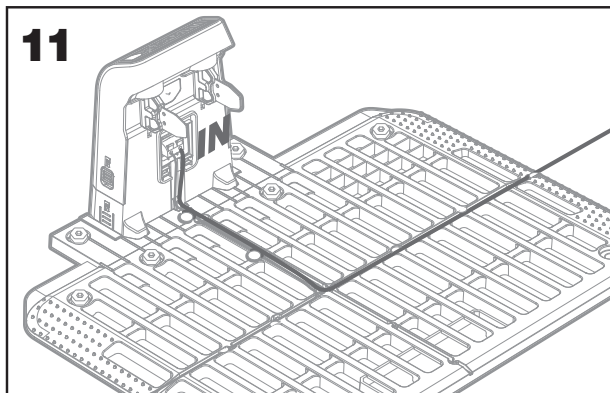
Po dokončení kladenia drôtu po obvode trávniku sa vrátite späť k nabíjacej základni.

- A. Vedte drôt cez priechodku v základni až k svorke (obr. 11)
- B. Odstrihnite zvyšný drôt a odizolujte koniec pomocou nožníc
- C. Vložte odizolovaný koniec do čiernej pravej svorky

8. Závěrečné kroky

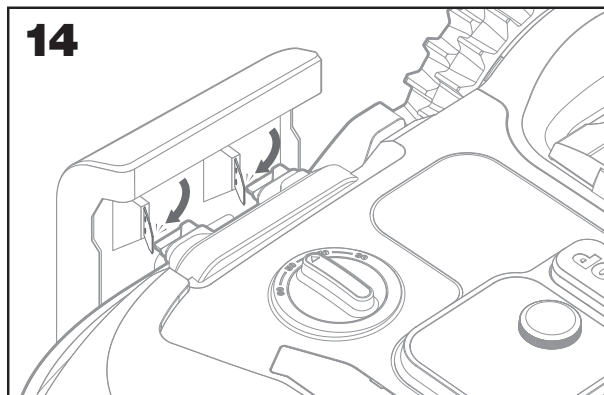
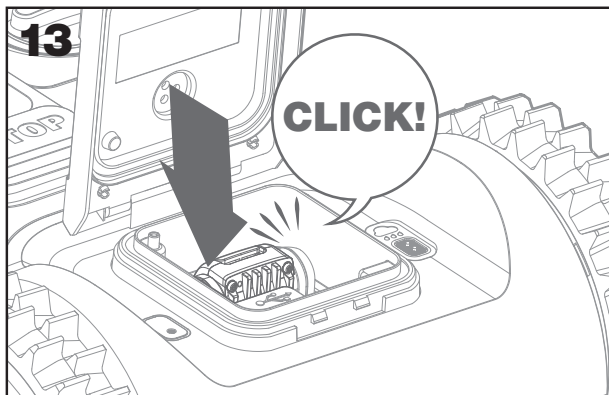
Nudnú časť máte za sebou! Zostáva už len zopár krokov:

- A. Zapojte nabíjaciu základňu do elektrickej zásuvky (obr. 12)
- B. Ak je všetko v poriadku, rozsvieti sa zelená kontrolka
- C. V prípade problémov so slučkou, napríklad preseknutý drôt alebo nesprávne zapojené konce drôtu, bude kontrolka svietiť načerveno. Skontrolujte, či je všetko v poriadku, a v prípade pretrvávajúcich problémov si pozrite časť s najčastejšími otázkami



D. Otvorte zadnú stranu Landroida a vložte batériu PowerShare do otvoru, kým nezacvakne (obr. 13)

E. Umiestnite Landroid na nabíjačku tak, aby bol zaistený pevný kontakt so základňou (obr. 14). LED bude blikať zelene; po úplnom nabití batérie sa LED dióda rozsvieti zelene trvalo.



F. Nechajte Landroid chvíľu nabíjať batériu. Počas nabíjania si môžete dopriať zaslúženú prestávku: oboznámiť sa s nasledujúcimi pokynmi a pripojiť Landroid k sieti Wi-Fi.

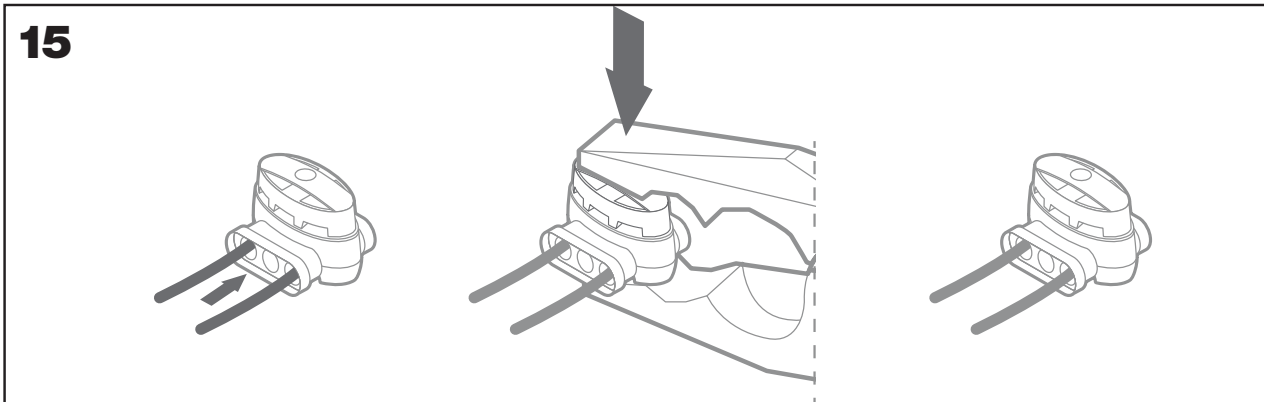
9. Spájanie ohraničujúceho drôtu

Súčasťou balenia Landroida sú dve malé vodotesné spojky na ohraničujúci drôt. Možno ich použiť v týchto prípadoch:

- A. Ak má váš trávnik veľmi dlhý obvod a na dokončenie inštalácie potrebujete dodatočný ohraničujúci drôt. Neprekračujte dĺžku 300m ohraničujúceho drôtu: toto je maximálna dĺžka obvodu ohraničujúceho drôtu
- B. Keď dôjde k náhodnému preseknutiu ohraničujúceho drôtu a je potrebné ho opraviť
- C. Keď sa v budúcnosti rozhodnete zmeniť usporiadanie záhrady a bude potrebné upraviť inštaláciu ohraničujúceho drôtu

Spojky sú vodotesné a poskytujú optimálny elektrický spoj. (obr. 15)

- A. Vložte oba konce drôtu do ktorýchkoľvek dvoch z troch otvorov spojky. Konce drôtu nie je potrebné odizolovať
- B. Vložte drôty úplne, kým oba konce drôtu nebudú viditeľné na druhej strane spojky
- C. Spojku pevne stlačte kliešťami

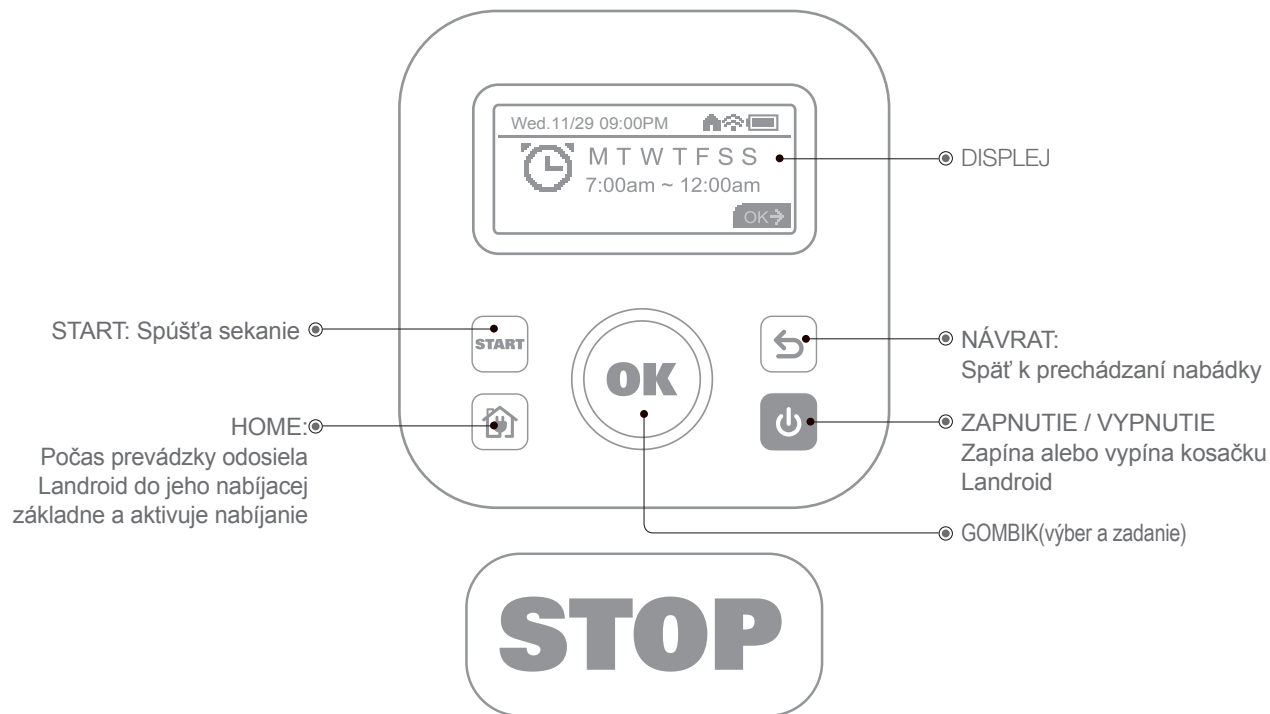


⚠ Upozornenie: neodporúča sa jednoducho spojiť ohraničujúci drôt pomocou izolačnej pásky alebo pomocou čokos-vorky. Okruh sa po určitom čase môže prerušiť, pretože pôdna vlhkosť môže zoxidovať drôt.









TERAZ PRICHÁDZA TÁ SKUTOČNÁ LAHÔDKA! PRVÉ ZAPNUTIE LANDROIDA.

Oboznámenie sa s ovládacím panelom

Ovládací panel Landroida poskytuje základné funkcie v minimalistickom dizajne. Pokročilé funkcie poskytuje bezplatná aplikácia Landroid v bohatšom rozhraní: vašom smartfóne.








Spustenie Landroida

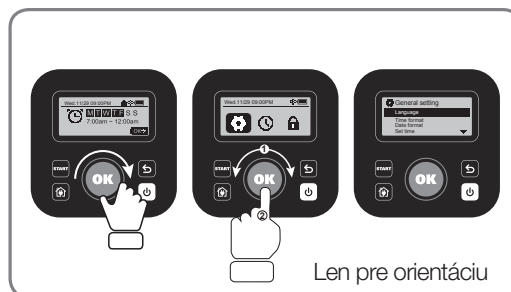
- Položte Landroid dovnútra ohraničujúceho drôtu
 - Držte stlačený , kým sa obrazovka nerozsvieti. Potom zadajte PIN kód.
 - Otáčaním  v smere hodinových ručičiek vyberte číslo a krátkym stlačením tlačidla . Na displeji sa zobrazí PIN code OK (PIN kód OK)
 - Stlačte tlačidlo  potom tlačidlo . Landroid začne kosiť
 - Landroid môžete kedykoľvek zastaviť stlačením tlačidla 
 - Ak chcete poslať Landroid do nabíjacej stanice, stlačte tlačidlo  potom tlačidlo 
- Poznámka:** Predvolený PIN kód je 0000

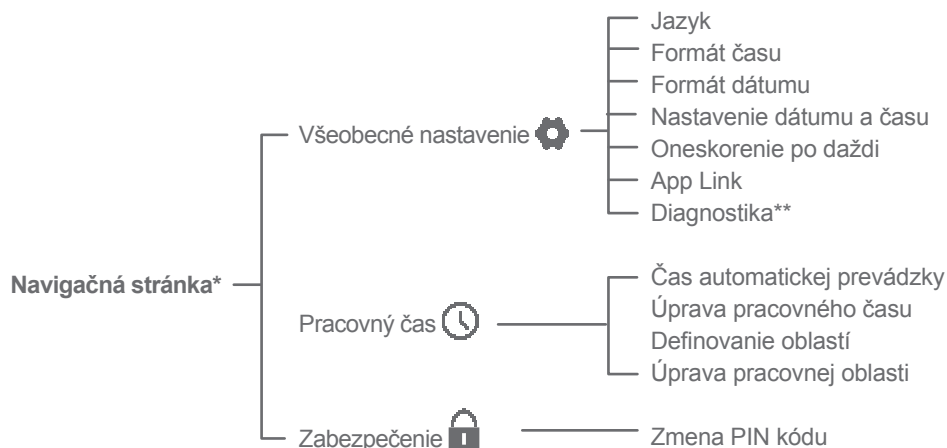
OVLÁDACÍ PANEL LANDROIDA

Pokročilé funkcie prostredníctvom zabudovaného rozhrania. Napriek jeho minimalistickému dizajnu môžete prostredníctvom zabudovaného ovládacieho panela nastaviť aj niekoľko pokročilých funkcií. Jednoduchšie je to však prostredníctvom bezplatnej aplikácie Landroid, pretože má oveľa bohatšie a intuitívnejšie rozhranie.

1. Nastaviť

- Otáčaním v smere hodinových ručičiek  zadajte nastavenie
- Potom otočením  vyberte "Všeobecné nastavenia" 
"Pracovná doba"  / "Zabezpečenie" , zadáte krátkym stlačením.
- Rovnakou metódou prijímajte následné opatrenia.



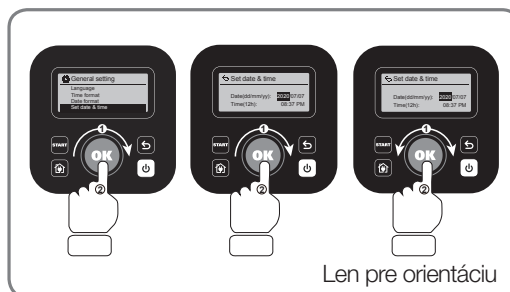


* Neustále sa aktualizuje podľa verzie softvéru.

** Iba pre popredajný servis

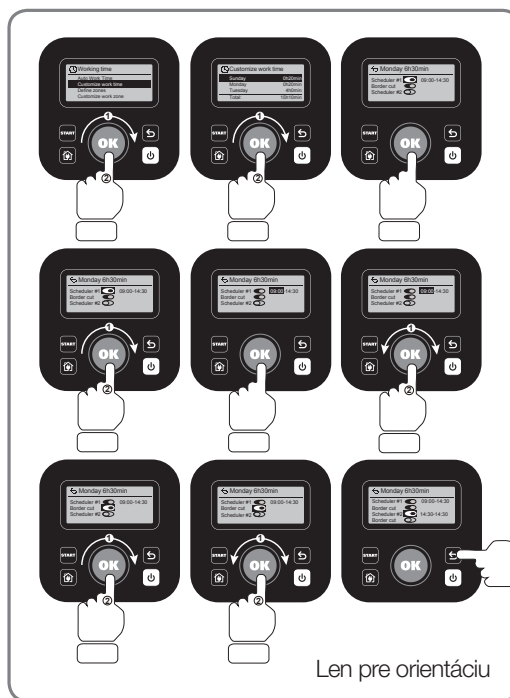
2. Nastavte dátum & čas

- Späť na "Všeobecné nastavenia"
- Otočiť v smere hodinových ručičiek **OK** "Nastaviť dátum & čas" a zadaním krátko stlačiť.
- Potom otáčajte v smere hodinových ručičiek **OK** Vyberte možnosť "Deň" a Krátke stlačenie. Vybrané číslo bude blikať.
- Ďalej, Otáčaním **OK** vyberte číslo a krátkym stlačením potvrdte. Rovnakým spôsobom vyplňte "mesiac / rok / čas".



3. Vlastná pracovná doba

- Späť na "pracovnú dobu"
- Otočenie v smere hodinových ručičiek **OK** Prejdite na "Vlastný pracovný čas" a zadaním ho krátko stlačte.
- Otočenie v smere hodinových ručičiek **OK** Vyberte deň v týždni a potom krátko stlačte.
- Potom stlačte **OK** a zadajte nastavenia.
- Otočením v smere hodinových ručičiek **OK** aktivujete program "Časový plán#1". Potvrďte krátkym stlačením.
- Ďalej otáčanie v smere hodinových ručičiek **OK** Vyberte čas spustenia "hodina / minúta" a krátkym stlačením zadajte nastavenie. Vybrané číslo bude blikať.
- Otáčaním **OK** vyberte čas začiatku, ktorý má LANDROID orezať v konkrétny dátum, a potom stlačte krátke stlačenie pre potvrdenie. Rovnakým spôsobom dokončíte čas zastavenia.
- Potom otáčanie v smere hodinových ručičiek **OK** a krátke stlačenie pre vstup do nastavenia "rezania rámu".
- Otáčaním **OK** vyberte, či sa má aktivovať funkcia "Border Cut", a následným krátkym stlačením potvrdte.
- Ak chcete nastaviť "Časový plán#2", použite rovnakú metódu ako je uvedené vyššie.
- Stlačte **S** a rovnakou metódou nastavte pracovnú dobu ostatných pracovných dní.



* V jeden deň je možné nastaviť dva plány.

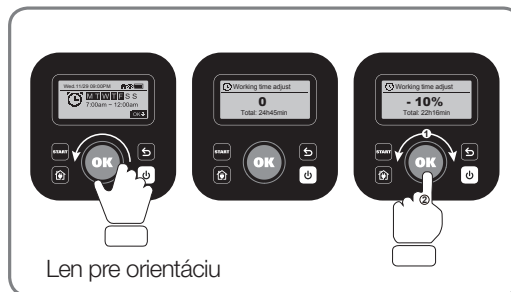
4. Úprava pracovného času

Môžete rýchlo upraviť pracovnú dobu týždňa. Časový prírastok / pokles bude rovnomerne pridelený požadovaným pracovným dňom

- A. Vrátiť hlavnú obrazovku.
- B. Otočenie proti smeru hodinových ručičiek **OK** Aktivácia úpravy pracovného času .

Poznámka: Celkový čas je založený na vlastnom pracovnom čase a je možné ho upraviť v gradiente 10%.

- C. Potom otáčajte **OK** a upravte ich a krátkym stlačením potvrdíte.

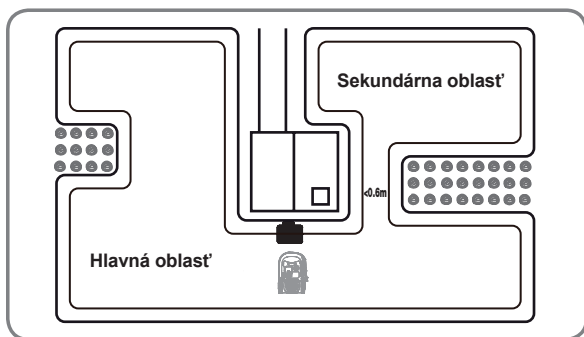


Len pre orientáciu

5. Nastavenie jedného rezu

Ak má váš trávnik viac oblastí prepojených chodbami, šírka by mala byť najmenej 0,6m . Ak je chodba užšia ako 0,6m , bude medzi nimi Landroid ťažké prechádzať. V takom prípade sa odporúča zriadiť na trávniku primárne a sekundárne plochy. Hraničná čiara by mala byť umiestnená tak, ako je to znázornené.

Pre flexibilné pracovné nastavenia (či už pri návrate k nabíjacej stanici a pri rezaní rámu), najmä ak je Landroid umiestnený v pomocnej oblasti bez nabíjacej stanice, Časy skrátené.

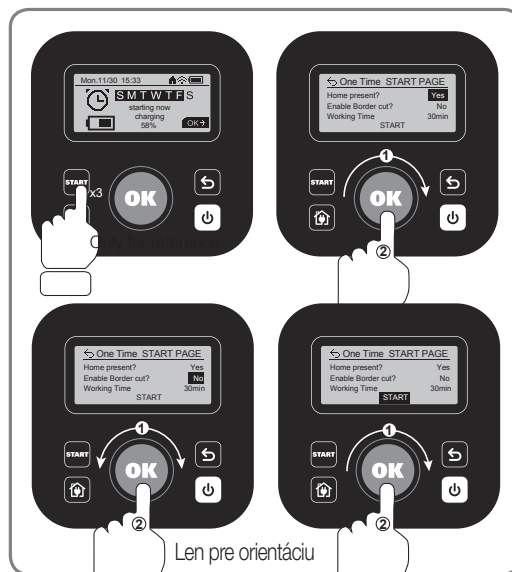


- Umiestnite Landroid do hraničnej čiary.
- Keď je váš Landroid pripojený k nabíjacej základni .
- A. Vrátiť hlavnú obrazovku.
- B. Trikrát rýchlo stlačte **START** .
- C. Otočiť v smere hodinových ručičiek **OK** Vyberte "Domáci darček?"- ÁNO / NIE " (bez ohľadu na nabíjaciu stanicu , či je v tejto oblasti), potom stlačením krátko zadajte nastavenie. Vybrané slovo bude blikať, potom ho potvrdíte krátkym stlačením.
- D. Ďalej otočte **OK** Vyberte možnosť "Povoliť orezovanie okrajov áno / nie" (či chcete orezávať okraje) a potom krátko stlačte. Vybrané slovo bude blikať, potom ho potvrdíte krátkym stlačením. Rovnakou metódou potom vyplňte "pracovný čas".
- E. Potom otočte v smere hodinových ručičiek **OK** Vyberte možnosť "Štart" a krátkym stlačením spustíte orezovanie

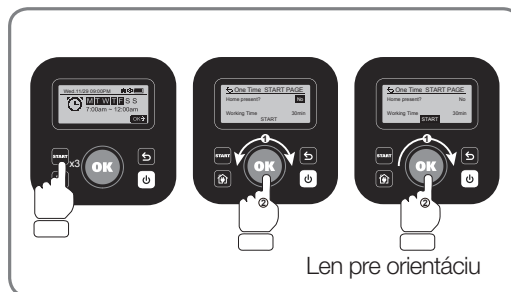
Pozor : Landroid sa vráti k nabíjacej stanici Nabíjanie batérie Čas vyčerpania alebo skrátenia času vypršal. Ak je Landroid úplne nabitý a nastavený čas ešte neuplynul, Landroid bude pokračovať v kosení až do konca času.

- Keď je váš Landroid odpojený od nabíjacej stanice ,
- A. Vrátiť hlavnú obrazovku.
- B. Trikrát rýchlo stlačte **START** .
- C. Otočiť **OK** Vyberte "Domáci darček?"- ÁNO / NIE " (Nabíjacia stanica Či už v oblasti) a krátko stlačte Zadajte nastavenia . Vybrané slovo bude blikať, potom ho potvrdíte krátkym stlačením. Rovnakým spôsobom vyplňte "pracovný čas".
- D. Potom otočte v smere hodinových ručičiek **OK** Vyberte možnosť "Štart" a krátkym stlačením spustíte orezovanie

Poznámka: Keď sa váš Landroid nachádza v hlavnej oblasti (zvyčajne sa nachádza v nabíjacej stanici), vráti nabíjaciu stanicu sa používa na nabíjanie, keď je batéria vybitá alebo vypršala doba rezania. Ak je Landroid úplne nabitý a nastavený čas ešte neuplynul, Landroid bude pokračovať v kosení až do konca času. Keď je váš Landroid v sekundárnej oblasti, zastaví kosenie a zostane tam, kde je, keď je batéria vybitá, nastal čas kosenia, Landroid narazí na nejaké problémy (napríklad náraz a iné) alebo ručne stlačte "STOP".



Len pre orientáciu



Len pre orientáciu

PRIPOJENIE LANDROIDA NA INTERNET

Prečo Landroid pripojiť

Váš Landroid je možné pripojiť pomocou Wi-Fi alebo Bluetooth.

Landroid je zariadenie s podporou internetu vecí (IoT). Na umožnenie všetkých funkcií Landroida a uchovávanie softvéru v aktuálnom stave musí byť pripojený na internet prostredníctvom siete Wi-Fi

SKÔR AKO ZAČNETE

1. Stiahnite si aplikáciu

Najskôr si stiahnite bezplatnú aplikáciu Landroid. Získate ju v obchode s aplikáciami pre Android alebo Apple

2. Uistite sa, že máte:

- A. Heslo do vašej siete Wi-Fi/ Funkcia Bluetooth na inteligentných telefónoch
- B. Sériové číslo Landroida: nachádza sa na štítku pod zadným krytom zariadenia. Ak sa vám nechce zadávať 20-miestne sériové číslo, zadajte ho nasnímaním QR kódu fotoaparátom smartfónu.

3. Skontrolujte svoje nastavenia

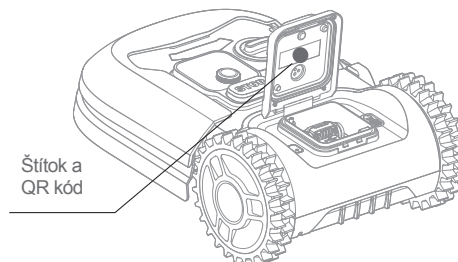
Pripojenie Wi-Fi

- A. Landroid funguje v pásme Wi-Fi 2,4 GHz
- B. Uistite sa, že Landroid je pripojený k rovnakému smerovaču ako smartfón
- C. Dbajte na to, aby počas pripájania bola vzdialenosť medzi Landroidom, smartfónom a smerovačom čo najmenšia

Tip: Keď sa Landroid dostane do oblasti trávnik so slabým alebo žiadnym signálom siete Wi-Fi, pokyny odoslané z aplikácie sa vykonajú, až keď sa Landroid vráti do oblasti s dobrým signálom.

Pripojenie Bluetooth

- A. Funkcia Bluetooth v smartfóne je aktivovaná.
- B. Uistite sa, že je váš Landroid v pripojiteľnej vzdialenosti.

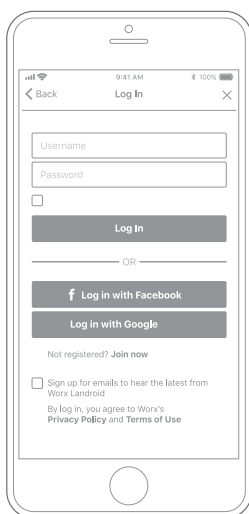


Štítk a QR kód

POSTUP PRIPOJENIA LANDROIDA NA INTERNET

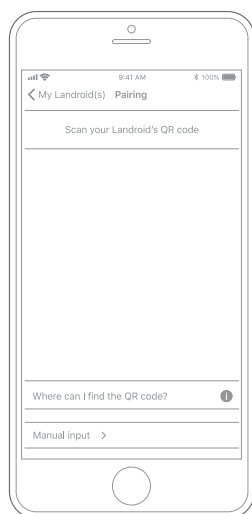
Spustite aplikáciu a postupujte podľa týchto pokynov

1. Zaregistrujte svoje konto



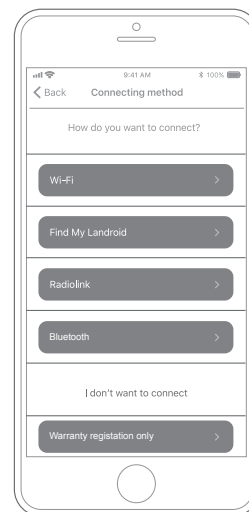
Zaregistrujte si konto zadaním používateľského mena a hesla alebo prihlásením sa cez Facebook alebo Google.

2. Zadajte sériové číslo Landroida



Zaregistrujte svoj Landroid manuálnym zadaním sériového čísla alebo nasnímaním QR kódu.

3. Vyberte typ pripojenia



Vyberte si svoju sieť Wi-Fi alebo Bluetooth, alebo sa môžete pripojiť k Landroidu hľadaním možnosti Landroid alebo Radiolink.

Ak vaša sieť Wi-Fi nepokrýva celý trávnik, môžete zvážiť zakúpenie doplnkového príslušenstva Landroid RadioLink, ktoré rozšíri dosah signálu až na 300m.

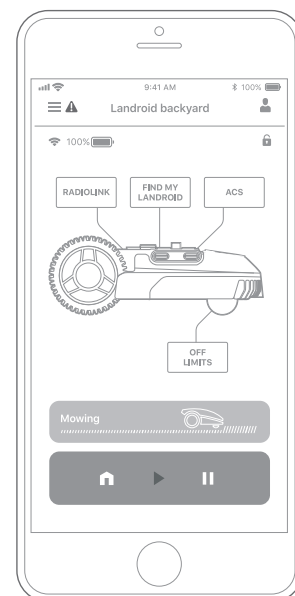
Prípadne si môžete zakúpiť príslušenstvo Find My Landroid, ktoré okrem pripojenia Landroida na internet pomocou jeho zabudovanej SIM karty tiež umožňuje sledovať zariadenie v prípade krádeže.

APLIKÁCIA LANDROID VIAC NEŽ LEN JEDNODUCHÝ DIAL'KOVÝ OVLÁDAČ

Nepovažujte ju len za diaľkový ovládač. Aplikácia je integrálnou súčasťou pokročilého ekosystému Worx Landroid založeného na cloud computingu a umelej inteligencii.

Vďaka funkcii rozšírenej reality aplikácie môžete zmerať presnú plochu trávniku. Stačí sa len prejsť po jeho okraji.

Rýchlosť rastu trávy ovplyvňuje veľa faktorov. Landroid ich kombinuje a určuje najlepšie ošetrovanie vášho trávniku. Deň čo deň



⚠ OPOZORILO Preberite vsa varnostna opozorila in navodila. Neupoštevanje opozoril in navodil lahko privede do električnega udara in/ali resnih poškodb.

Pred uporabo si pazljivo preberite navodila za varno obratovanje naprave. Vsa opozorila in navodila si shranite za kasnejšo uporabo.

KAKO DELUJE LANDROID

V nadaljevanju bi vam radi podrobneje razložili, kako deluje kosilnica Landroid.

Kosilnica Landroid je samostojna naprava, ki lahko deluje samodejno. Ve, kdaj se mora vrniti na polnilno postajo, zazna, ko dežuje, se sama zaustavi, če začuti težavo, in se zna ustaviti, zapeljati nazaj in se obrniti, ko se zaleti v nekaj, kar ji stoji na poti. Da bi preprečil nesreče, bo kosilnica Landroid samodejno tudi zaustavila svoj disk rezila, če jo dvignete s tal.

Samodejno polnjenje



Ko se mora vaša kosilnica Landroid napolniti, se bo prenehala premikati in bo sledila omejitvenemu kablu v nasprotni smeri urinega kazalca, ki jo bo vodil nazaj do polnilne postaje. Ko se bo polnjenje zaključilo, bo kosilnica Landroid samodejno ponovno začela s košnjo ali pa bo ostala v svoji polnilni postaji, kar je odvisno od urnika košenja.

Upravljanje z mejami



Landroid je programiran, da obreže travo po obodu trate dvakrat tedensko ob Ponedeljkih in Petkih. Če želite to privzeto nastavitev spremeniti, to lahko storite s svojim pametnim telefonom ali pa uporabite nadzorno ploščo v meniju „Work time-Customise Work time“. Oglejte si podrobnejša navodila na koncu tega uporabniškega priročnika.

Senzor za dež



Kosilnica Landroid je 100 % voodoporna in je rada zunaj. Vendar pa košnja mokre trave vaši trati ne bo zagotovila najboljših rezultatov. Kosilnica Landroid je zato opremljena s senzorjem za dež, ki zazna dež in kosilnici Landroid sporoči, naj neha kositi in se vrne v svojo polnilno postajo.

Čas odmora zaradi dežja



Po dežju se kosilnica Landroid ponovno zažene šele, ko trava ni več mokra. Privzeti čas odmora zaradi dežja je 180 minut. Omenjeno nastavitev trajanja časa odmora zaradi dežja lahko spremenite v aplikaciji Landroid

V bolj ekstremnih vremenskih razmerah



V primeru nevihte zaščitite kosilnico Landroid tako, da izklopite polnilno postajo iz vira električnega napajanja, odklopite omejitveni kabel in se prepričate, da se kosilnica Landroid ne more polniti. Pozimi in še zlasti v primeru izjemno mrzlega vremena ter ko sneži, vam priporočamo, da kosilnico Landroid shranite v zaprt prostor. V nekaterih državah je na voljo zimsko servisiranje kosilnic Landroid, s čimer se kosilnice pripravi na pomladno rastno obdobje. Za več podrobnosti se posvetujte s svojim trgovcem ali preverite na spletu.

Ni vam več treba zbirati odrezkov trave



Ob vsakodnevem košenju s kosilnico Landroid nastanejo izjemno kratki odrezki trave, ki jih ni treba grabiti. Ti odrezki zagotavljajo popolno organsko hranilo za vašo travo. Pogosto košenje povzroči gostejšo rast travnih bilk in učinkovite preprečuje širjenje plevela.

Funkcija košenja do robu



Posebno rezilo za izravnavanje se kar se da približa robu vaše trate, da vam bo ostalo le malo ali nič obrezovanja.

Višina košenja



Preden prvič zaženete kosilnico , Landroid, se prepričajte, da vaša trava ni višja od 10 cm. Če je višja, jo najprej pokosite z običajno kosilnico, nato pa uporabite kosilnico Landroid. Če želite višino svoje trate drastično skrajšati, vam priporočamo, da to storite postopoma, in sicer tako, da višino košenja prilagajate po korakih.

Varnost in zaščita PIN



Če želite preprečiti, da bi kosilnico Landroid lahko uporabljale nepooblaščen osebe, jo zaščitite s kodo PIN, ki jo lahko enostavno nastavite.

Enostavno čiščenje



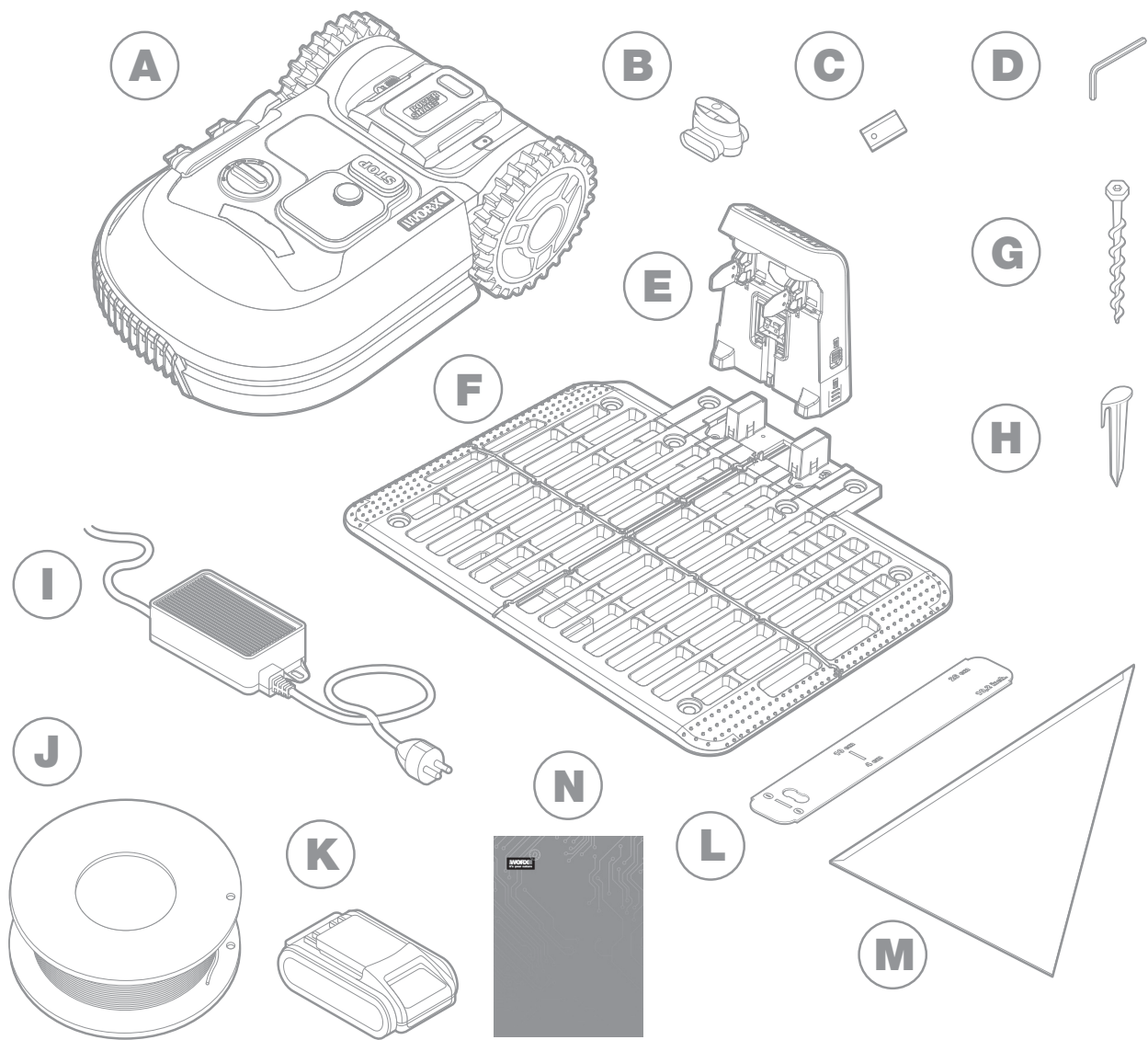
Zahvaljujoč svoji vodoodporni funkciji IPX5 se Landroid znebi prahu, trate in surovega okolja, ki se pojavijo med delom. Naj Landroid izgleda in deluje bolje.

Sledilnik tal



Z novo zasnovo avtomatskega dvigala je mogoče rezila samodejno dvigniti, da se zagotovi večja zračnost To Landroidu pomaga, da se izogne določenim situacijam, ki bi lahko blokirale druge kosilnice.

VSEBINA ŠKATLE



Slika je samo za referenco

- A** Kosilnica worx landroid

- B** Konektorja za popravilo žic

- C** Kompleti rezervnih rezil

- D** Šest robi ključ

- E** Polnilni kup

- F** Polnilna postaja

- G** Vijakov

- H** Žični zatiči

- I** Vir električnega napajanja

- J** Omejitveni kabel

- K** Baterija 20V

- L** Merilnika razdalje za omejitveni kabel

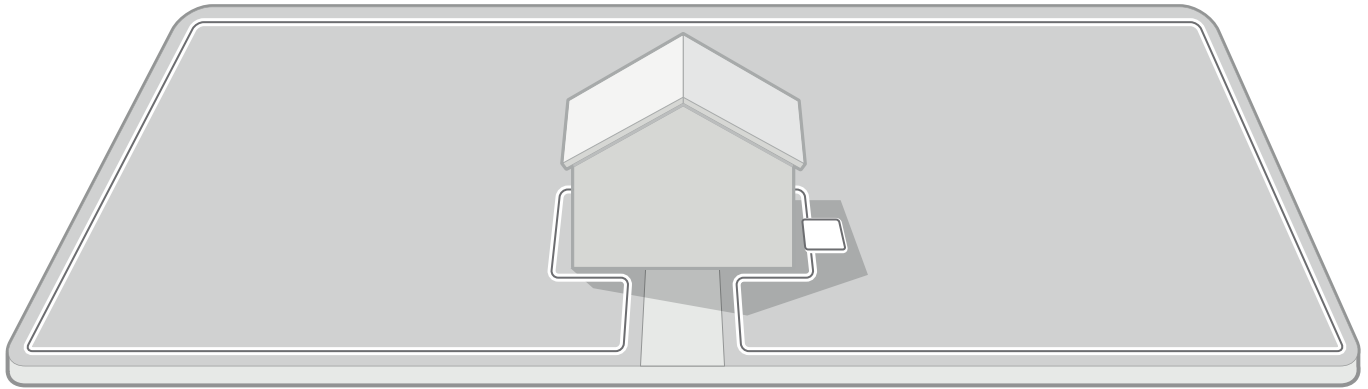
- M** Bertelsenovo ravnilo

- N** Priročnik

NAMESTITEV

Nameščanje kosilnice Worx Landroid je enostavneje, če pozorno upoštevate ta navodila. Navsezadnje je treba le namestiti polnilno postajo in položiti omejitveni kabel okrog vaše trate. Poleg tega priročnika lahko uporabite tudi vodič Uvod, ki ga boste našli v škatli, in si ogledate video-navodila na našem kanalu YouTube*.

* Te podatke vam zagotavljamo v informativne namene, ne nadomeščajo pa navodil za uporabo in varnostnih navodil, ki jih morate prebrati in se prepričati, da ste jih razumeli.



Sprehod po vaši
trati in
načrtovanje
namestitve

Namestitev
polnilne
postaje

Polaganje
omejitvenega
kabla

Povezovanje
polnilne
postaje z AC

Vklop kosilnice
Landroid
Preverjanje in
pripravljanje na
košnjo

VSAKA MINUTA, KI JO PORABITE ZA NAČRTOVANJE, VAM PRIHRANI 10 MINUT PRI IZVEDBI

Namestitev kosilnice Landroid je še enostavneje, če imate jasno idejo o tem, kaj morate storiti. Ustrezno načrtovanje vam bo pomagalo tudi, da se boste izognili napakam ali ponovni namestitvi, ko boste z njo enkrat zaključili.

1. Na površini ali zakopan?

Omejitveni kabel kosilnice Landroid je zasnovan tako, da ostane na površini vaše trate. Od prvega dne dalje bo skoraj neopazen, v nekaj tednih pa se bo pogreznil v zemljo. Če želite kabel zakopati, vam priporočamo, da ga najprej zakoličite in preverite, ali je namestitev uspela, in sicer tako, da kosilnico Landroid poženete po celotnem obsegu vaše trate. Tako boste lahko hitro preverili vse in po potrebi spremenili postavitev, preden kabel zakopljete. Kabla ne zakopljite več kot nekaj centimetrov v zemljo, da bo tako kabel še naprej omogočal dober signal.

2. Načrt za postavitev polnilne postaje

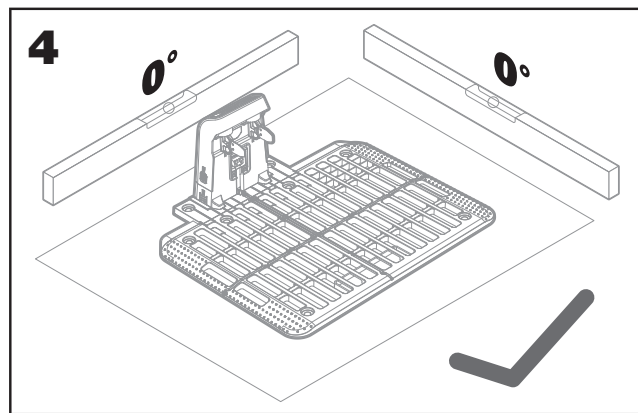
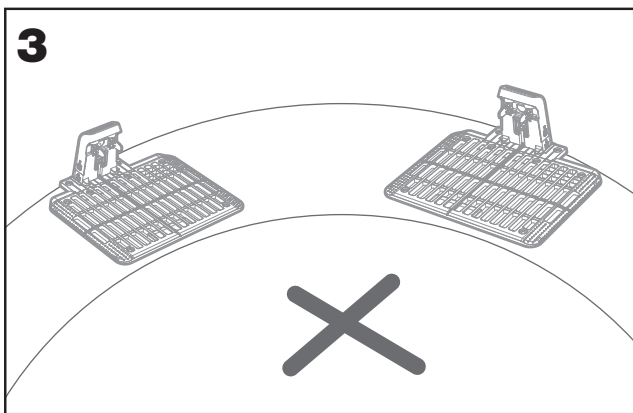
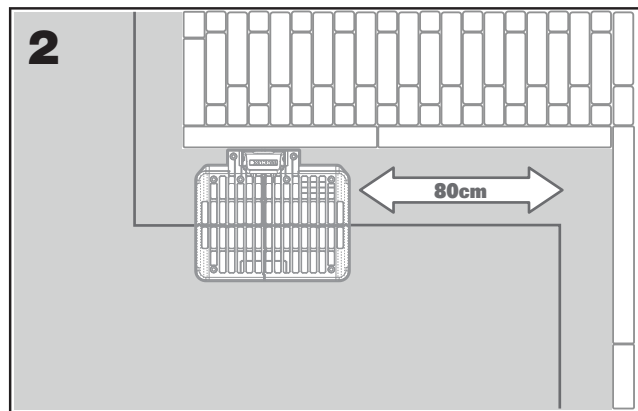
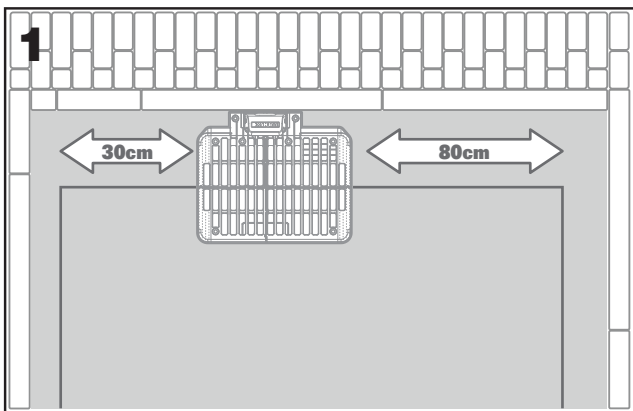
V polnilno postajo, ki ga sestavljajo nakladalni kup in nakladalno dno, se kosilnica Landroid zapelje, ko mora napolniti baterije. Zagotavlja pa tudi parkirno mesto, kjer kosilnica Landroid počiva med dvema košnjama.

Poiščite primeren položaj za postajo in pri tem ne pozabite:

- A. Postajo je treba napajati, kar pomeni, da ne sme biti več kot 10 m oddaljena od vtičnice z izmeničnim tokom
- B. Po možnosti izberite položaj v senci, saj baterije in polnilci pregrevanja ne prenašajo dobro
- C. Postaja mora biti nameščena na ploščati površini in tako zagotoviti učinkovito sidrišče za kosilnico.
- D. Izogibajte se mestom v bližini škropilnikov za namakanje

Polnilno postajo lahko položite na trato ali na trdo površino, kot denimo stezo, če trata in trda površina ležita v isti ravnini (če med njima ni stopnic).

Za vstop v postajo kosilnica Landroid potrebuje ravno pot pred polnilno postajo, ki je dolga vsaj 80cm. Na izhodni strani potrebuje vsaj 30cm ravne poti, preden zavije levo (slika 1). Če zavija desno, ni potrebe po ravni poti (slika 2).

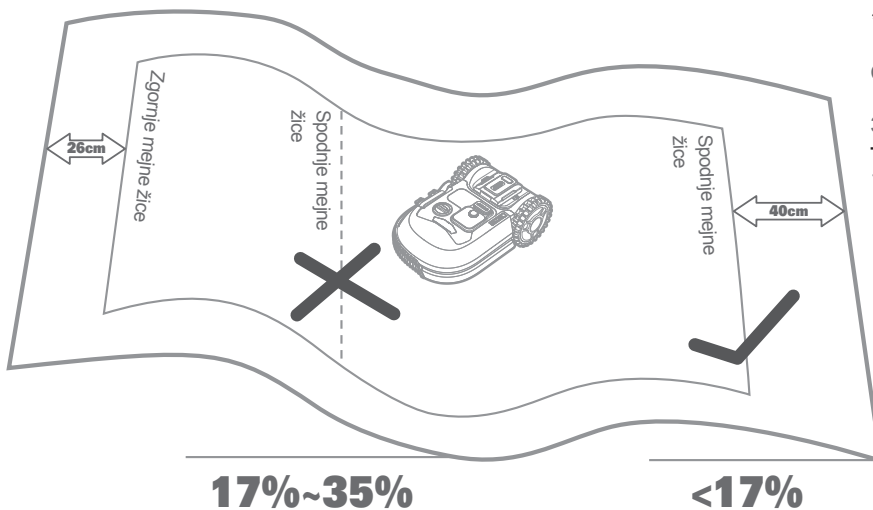


3. Seznam zahtev v povezavi s polnilno postajo:

- A. nameščena mora biti na dosegu vtičnice z izmeničnim tokom
- B. nameščena mora biti v senci
- C. ob vhodu mora biti zagotovljena ravna pot; ravna pot mora biti po potrebi zagotovljena tudi ob
- D. izhodu ploščata površina
- E. ne sme biti nameščena v bližini škroplilnikov za namakanje

4. Namestitev mejne žice na pobočjih

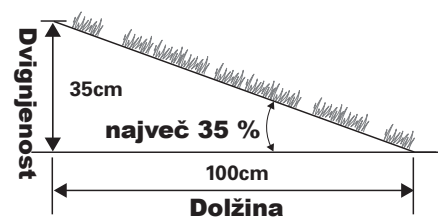
Zgornje mejne žice NE namestite na pobočje, katerega naklon je večji od 35% (20°)*. Spodnje mejne žice NE namestite na pobočje, katerega naklon je večji od 17% (10°), namestite jo vsaj 40 cm stran od katere koli ovire..



***Kako izračunati naklon zelenice?**

Če bi moral biti naklon zelenice:

$$\frac{35\text{cm (Dvignjenost)}}{100\text{cm (Dolžina)}} = 35\% \text{ (Naklon)}$$

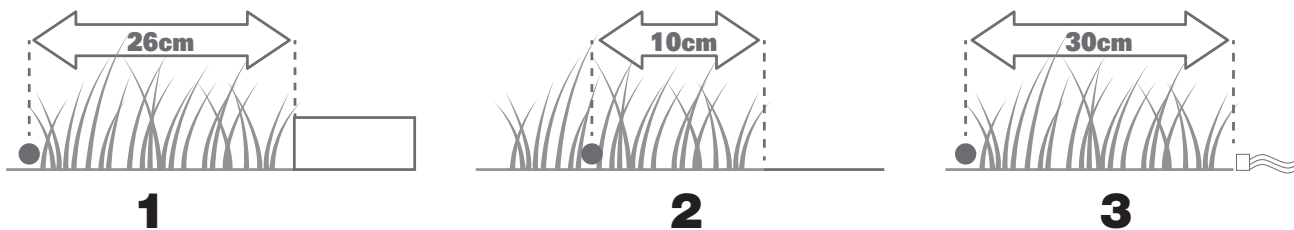


5. Načrt za polaganje omejitvenega kabla

Kabel morate namestiti na določeno razdaljo od robu trate. Omenjena razdalja se spremeni glede na to, kaj je na drugi strani robu.

Različni deli vaše trate morda mejijo na različne scenarije:

- A. Če rob vaše trate meji na stopnico: kabel mora biti nameščen 26 cm od robu. (slika 1)
- B. Če rob vaše trate meji na stezico v isti višini: kabel mora biti nameščen 10 cm od robu. (slika 2)
- C. Če rob trate meji bazen: mejno žico namestite vsaj 30 cm od roba. (slika 3)



V primeru, da vaša trata meji s trato vašega sosedu, ki prav tako uporablja robotsko kosilnico, mejno žico namestite vsaj 1 m stran od mejne žice vašega sosedu, da se izognete morebitnim motnjam.

SPREHOD PO VAŠI TRATI

Kosilnica Landroid je zasnovana tudi za košenje najbolj zapletenih trat. Izvedite vizualni pregled svoje trate in se tako pripravite na namestitev omejitvenega kabla, ki bo potekala brez težav.

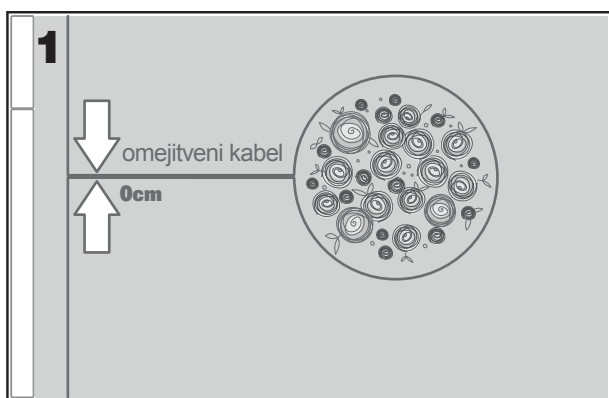
1. Opredelite prepovedana področja

Ne pustite, da vaša robotska kosilnica kosi rože, padla v vodni objekt ali potrgala korenine dreves, ki rastejo iz tal. Opredelite ta področja in jih obdajte z omejitvenim kablom ter tako preprečite kosilnici Landroid, da bi jih lahko dosegla.

Omejitveni kabel sestoji iz ene zanke, ki je na obeh koncih povezana s polnilno postajo, zato boste morali kabel pričeti polagati na meji, z njim obdati območje, ki ga želite zaščititi, nato pa ga pripeljati nazaj ob mejo, kot je prikazano na spodnji sliki 1.

Če so območja, ki jih je treba obdati, zelo daleč stran od meje vaše trate, ali če imate več območij in dreves, ki jih je treba zaščititi, bo običajni postopek preveč zamuden.

Odlična alternativa je nakup možnosti Off-Limits za kosilnico Landroid. Z omenjeno možnostjo lahko enostavno obdate prepovedana območja z digitalno ograjo Off-Limits, ki je ni treba povezati z omejitvenim kablom (slika 2). Digitalna ograja Off-Limits je odlična možnost tudi, če želite zaščititi sezonsko opremo (npr. trampolin) ali nove spremembe v postavitvi vaše trate, ne da bi za to morali spremeniti položaj omejitvenega kabla.



2. Opredelite ovire

Senzor za izrastke kosilnice Landroid lahko zaobide oprijemljive ovire, kot denimo drevesa, pohištvo in podobno, ki jih zato ni treba obdajati s kablom. Če je na vaši trati več ovir in dreves, ki so postavljene blizu druga druge, vam priporočamo nakup možnosti Landroid ACS, inteligentnega ultrazvočnega avtomatskega pilota, ki bo poskrbel, da bo vaša kosilnica Landroid ovire zaobšla, namesto da bi se vanje zaletavala.

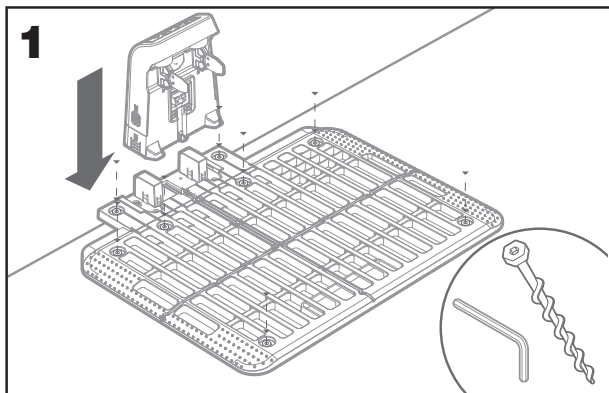
ZDAJ PA SI ZAVIHAJTE ROKAVE. KO BOSTE ZAKLJUČILI, BO TO TO!

Sedaj, ko ste do zadnje podrobnosti načrtovali namestitev, pa ste pripravljeni na akcijo. Preden začnete, morda še zadnjič uporabite vašo staro kosilnico in z njo počistite trato ter se prepričajte, da bo namestitev enostavna.

1. Namestite polnilno postajo na izbrano lokacijo

A. Vstavite polnilni kup v podstavek za polnjenje. Nato s priloženim šestkotnim ključem pritrdite polnilno postajo na tla s priloženimi vijaki (slika 1)

B. Če postajo položite na trdo površino, jo pritrdite z mozniki in vijaki (ki niso priloženi)

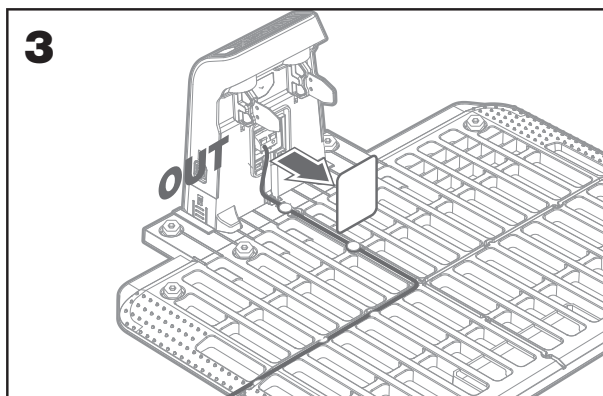
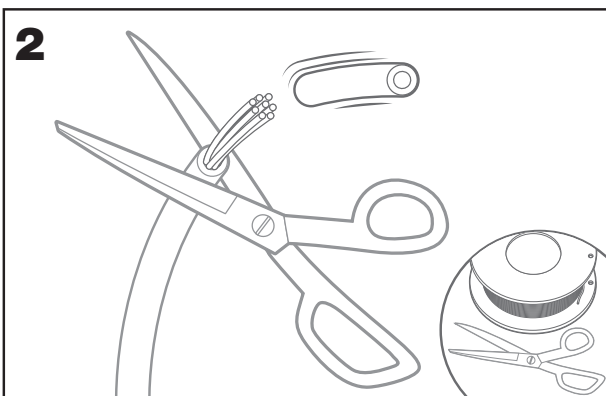


2. En konec omejitvenega kabla povežite s polnilno postajo

A. Ogulite en konec kabla s parom škarij (slika 2)

B. Odprite plastična vratca in vstavite oguljeni del kabla v levo rdečo spojko (slika 3)

C. Kabel speljite skozi vodilo postaje, kot je prikazano na sliki 3



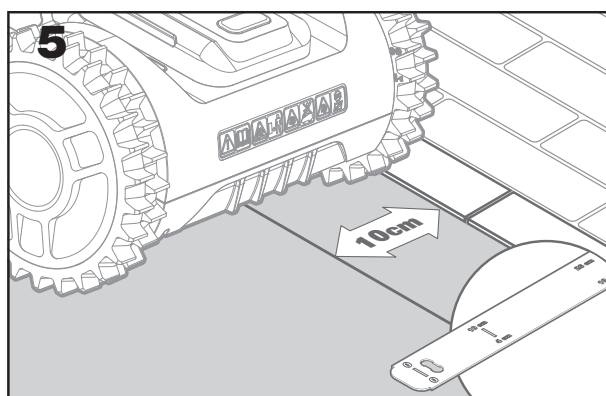
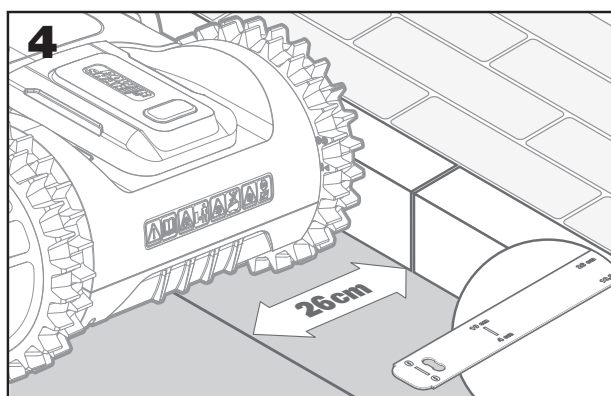
3. Omejitveni kabel položite okrog trate

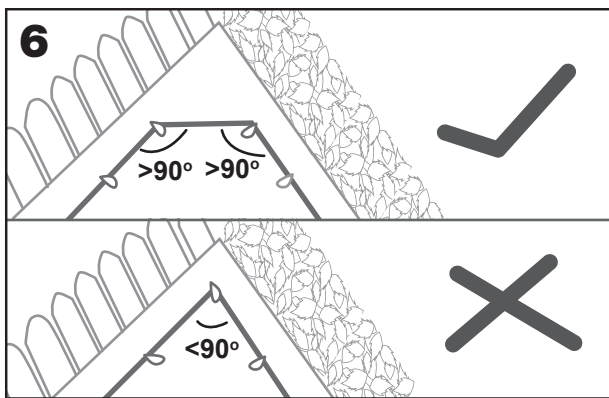
A. Za določanje razdalje med kablom in robom uporabite priloženi merilnik razdalje

B. Če je na robu vaše trate stopnica, poskrbite, da bo kabel položen 26 cm stran od stopnice (slika 4)

C. Če na robu vaše trate ni stopnice, naj bo kabel položen 10 cm stran od robu (slika 5)

D. Prepričajte se, da je mejna črta na vsakem vogalu popolnoma ravna in da je kot mejne črte večji od 90 °.

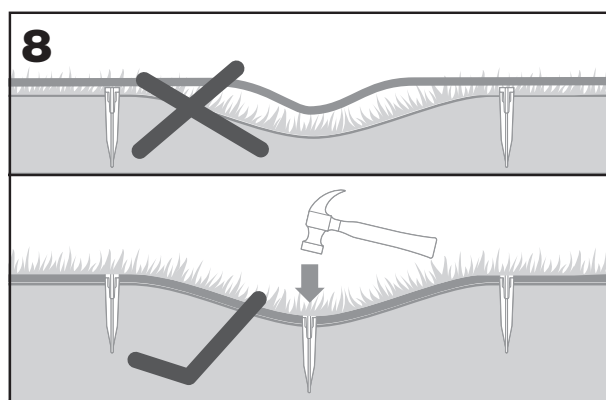
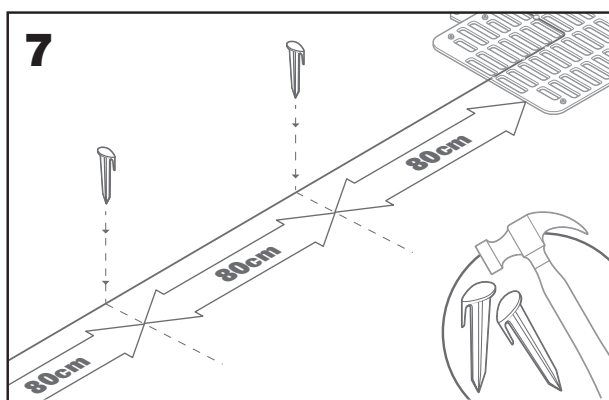




4. Pritrdite kabel na tla s pomočjo zatičev

A. Zatiče položite na približno razdaljo 80 cm drug od drugega (glejte sliko 7)

B. Prepričajte se, da je kabel vedno v tesnem stiku s tlemi (slika 8)



5. Po potrebi po obsegu položite otočke

A. Zaščitite cvetlične gredice, korenine dreves in druga območja tako, da jih obdate z omejitvenim kablom

B. Kabel začnite polagati na robu pod pravim kotom, nato pa ga povlecite do območja, ki ga želite zaščititi

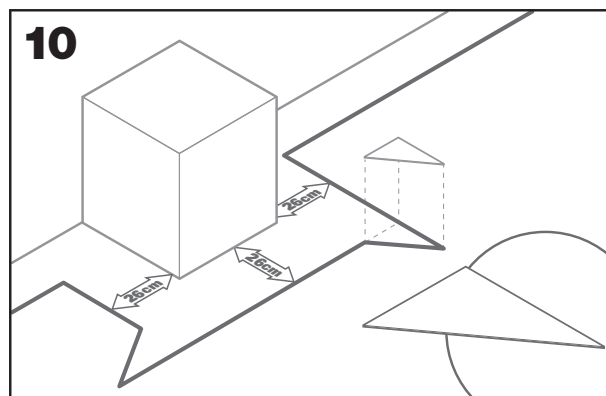
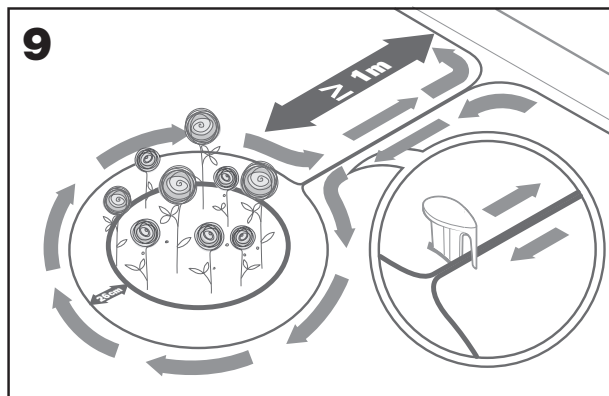
C. Območje obdajte s kablom in poskrbite, da boste ohranili razdaljo 26 cm, dokler otočka ne zaključite

D. Kabel vedno polagajte v smeri urinega kazalca. Če tega ne storite, bo kosilnica zapeljala na otoček

E. Vrnite se na rob trate po isti poti

6. Bertelsenova metoda: kako poskrbeti za popolne kote 90°, katerih koti so obrnjeni proti trati

Če obstajajo 90-stopinjski koti, ki so obrnjeni proti notranjosti trate, uporabite Bertelsenovo metodo in poskrbite, da bo vaša kosilnica Landroid zavijala popolno (ter se tako izognite tveganju, da se bo kosilnica Landroid zadela v oviro na robu trate med izvajanjem tega manevra).



7. Zapiranje zanke

Ko boste zaključili s polaganjem kabla po obsegu vaše trate, boste prispeli nazaj do polnilne postaje.

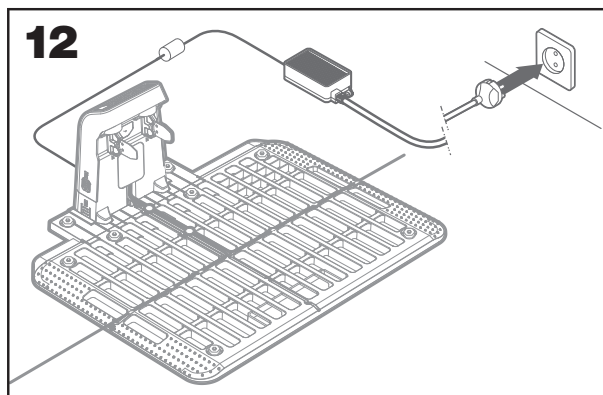
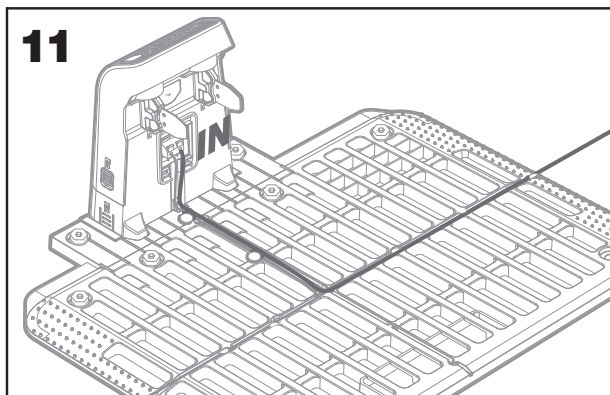
- A. Kabel speljite skozi vodilo v postaji do spojke (slika 11)
- B. Odrežite odvečni kabel in ogulite konec s parom škarij
- C. Vstavite oguljeni konec v desno črno spojko

8. Zaključni koraki

Dolgočasnega dela je konec! Ostane vam samo še nekaj korakov:

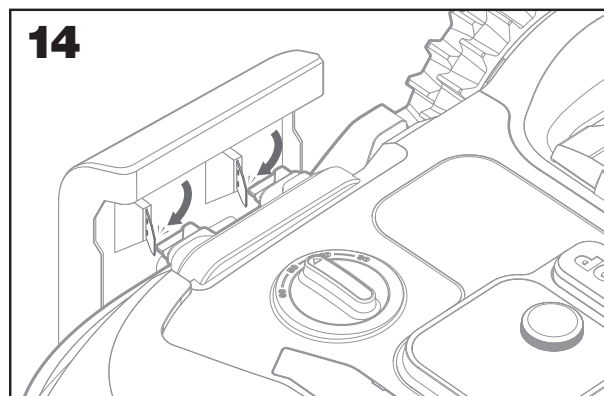
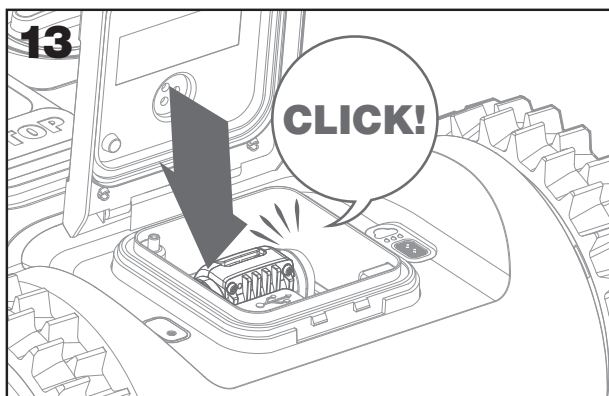
- A. Povežite polnilno postajo z vtičnico z izmeničnim tokom (slika 12)
- B. Če je vse v redu, bo zasvetila zelena lučka LED
- C. Če je v zanki prišlo do težave, kot denimo prekinjeni kabel ali konci kabla, ki niso primerno oguljeni, bo zasvetila rdeča lučka LED.

Preverite, ali je vse v redu, če pa je težava še vedno prisotna, pa si oglejte razdelek s pogosto zastavljenimi vprašanji



D. Odprite zadnji del kosilnice Landroid in vstavite baterijo PowerShare v režo, dokler ne zaslišite klika (slika 13)

E. Landroid napolnite tako, da ga pravilno postavite na polnilno postajo (slika 14). LED lučka bo utripala zeleno; ko je baterija popolnoma napolnjena, bo LED lučka začela svetiti zeleno.



F. Kosilnico Landroid pustite, da se nekaj časa polni. Medtem ko se polni, si privoščite zasluženi odmor: seznanite se z nadaljnjimi navodili in povežite kosilnico Landroid na vaše omrežje Wi-Fi.

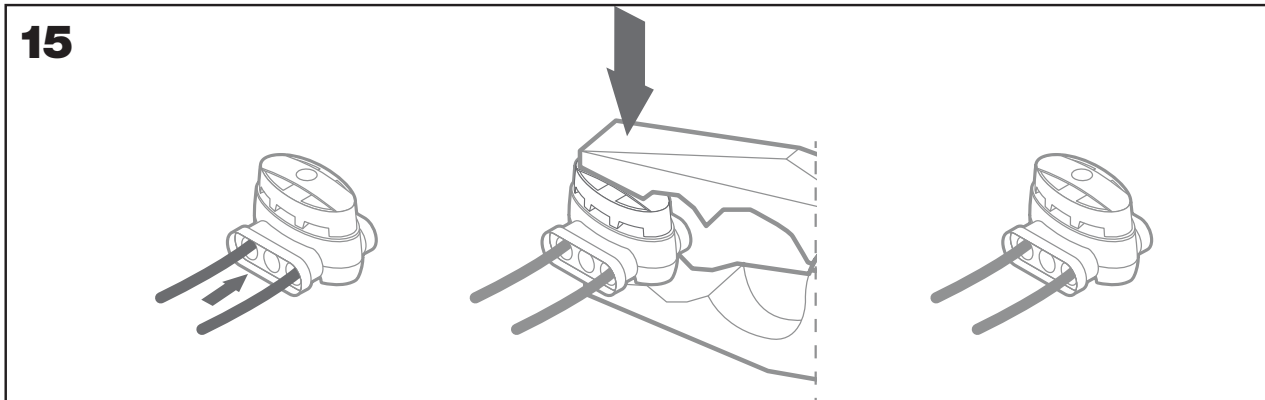
9. Združevanje omejitvenega kabla

Škatla kosilnice Landroid vsebuje dva majhna vodoodporna priključka za omejitveni kabel. Uporabi se ju lahko na naslednje načine:

- A. Če ima vaša trata izjemno dolg obseg in potrebujete dodatni omejitveni kabel za zaključek namestitve. Ne presežite dolžine 300m omejitvenega kabla, saj je takšna najdaljša dovoljena razdalja obsega omejitvenega kabla
- B. Če po pomoti prerežete omejitveni kabel in ga morate popraviti
- C. Če se boste v prihodnje morda odločili za prenovo vrta in morate za to spremeniti namestitev izvirnega omejitvenega kabla

Priključka sta vodoodporna in zagotavljata optimalno električno povezljivost(slika 15) .

- A. Vstavite oba konca kabla v kateri koli dve od treh odprtin na priključku. Kabla ni treba oguliti
- B. Kabla vstavite do konca, dokler nista na drugi strani priključka vidna oba konca kabla
- C. Trdno pritisnite priključek s kleščami



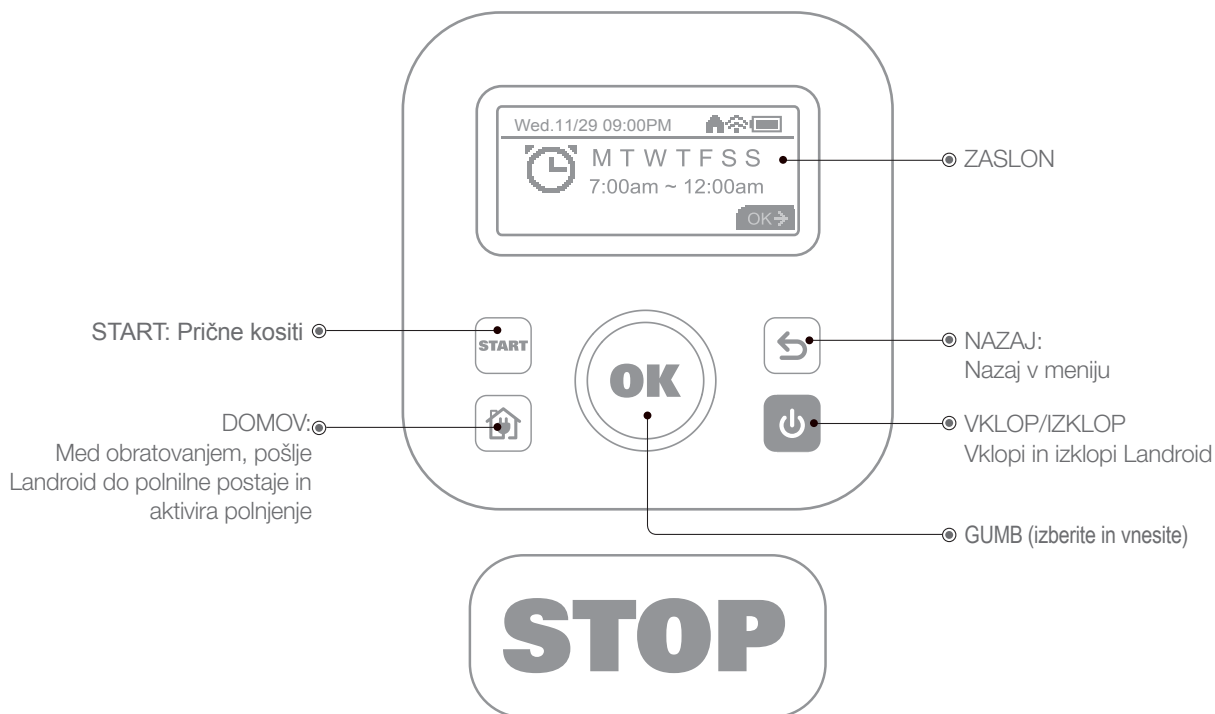
⚠ Pozor: ne priporočamo, da omejitveni kabel preprosto zvežete z izolirnim trakom ali da za povezovanje uporabite komplet navojnih sponk. Po določenem časovnem obdobju lahko namreč pride do okvare tokokroga, saj bo vlaga v zemlji morda povzročila rjavenje kabla.

ZDAJ PA SLEDI RAZBURLJIVI DEL! PRVIČ ZAŽENITE SVOJO KOSILNICO LANDROID.

Seznajte se z nadzorno ploščo

Nadzorna plošča kosilnice Landroid zagotavlja minimalistično zasnovane ključne funkcije.

Napredne funkcije vam zagotavlja brezplačna aplikacija Landroid na bogatejšem vmesniku: vašem pametnem telefonu.



Zaženi kosilnico Landroid

A. Namestite kosilnico Landroid v domet omejitvenega kabla

B. Pritisnite gumb **POWER** in ga zadržite, dokler se zaslon ne prižge. Nato vnesite kodo PIN.

C. V smeri urinega kazalca zasukajte **OK**, da izberete številko in kratak pritisk **OK**, da. Na zaslonu se prikaže napis 'PIN code OK'

D. Pritisnite gumb **START**, nato pa pritisnite **OK**. Kosilnica Landroid bo začela kositi

E. Kosilnico Landroid lahko kadar koli ustavite tako, da pritisnete gumb **STOP**

F. Če želite kosilnico Landroid poslati v polnilno postajo, pritisnite gumb **HOME** nato pa pritisnite **OK**.

Opomba: Privzeta koda PIN je 0000

NADZORNA PLOŠČA LANDROID

Napredne funkcije s pomočjo vgrajenega vmesnika

Kljub njeni minimalistični zasnovi s pomočjo vgrajenega vmesnika lahko kosilnici Landroid nastavite številne napredne funkcije.

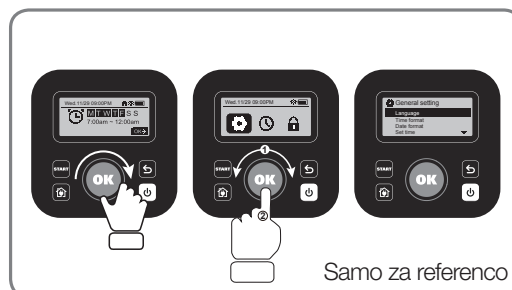
Za doživljanje najboljše uporabniške izkušnje pa priporočamo, da za to uporabite brezplačno aplikacijo Landroid, ki omogoča bogatejši in bolj intuitivni vmesnik.

1. Nastaviti

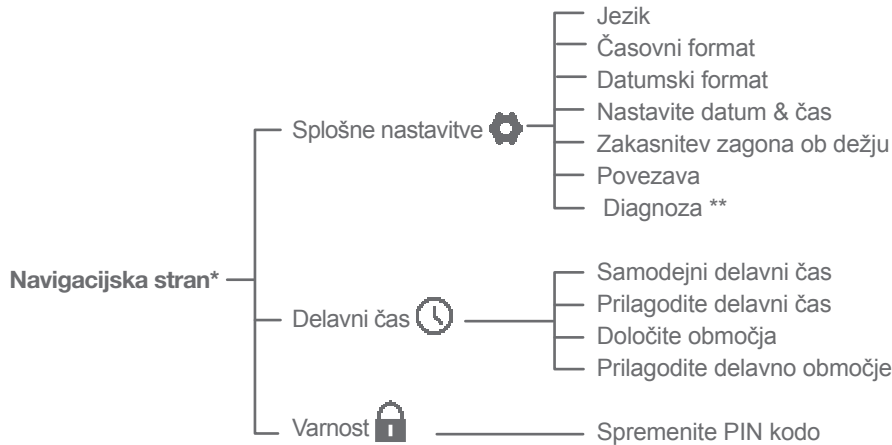
A. Obrnite nastavitve v smeri urnega kazalca

B. Nato zavrtite **OK**, da izberete "Splošne nastavitve" **gear** / "Delovni čas" **clock** / "Varnost" **lock**, kratak pritisk za vstop.

C. Uporabite isto metodo za nadaljnje ukrepe.






Samo za referenco

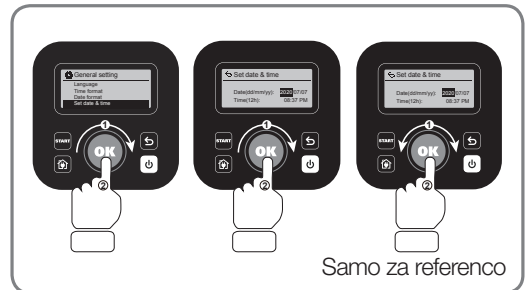


* Nenehno posodablajte v skladu z različico programske opreme.




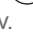




** Samo za poprodajne storitve

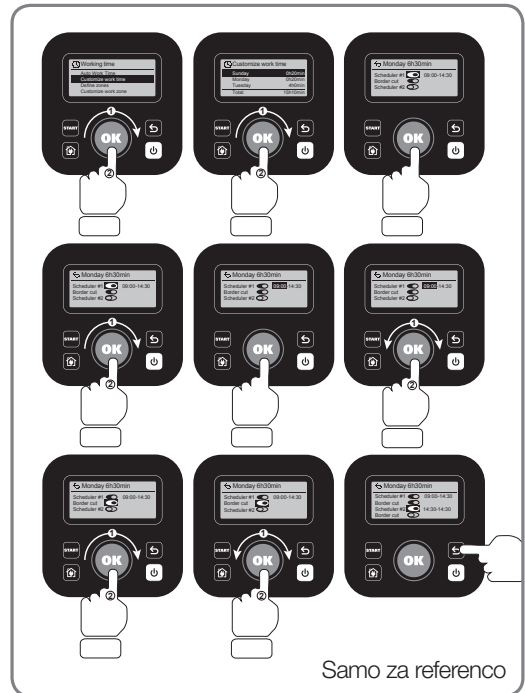
2. Nastavite datum & uro

- A. Nazaj na "Splošne nastavitve"
- B. Zavrtite v smeri urnega kazalca  "Nastavi datum & čas", nato za kratek pritisnite.
- C. Nato zavrtite v smeri urnega kazalca  Izberite "Dan" in kratek tisk. Izbrana številka bo utripala.
- D. Naprej, Zavrti , da izberete številko, in za potrditev pritisnite na kratko. Uporabite isto metodo, da dokončate "Mesec / leto / čas".



3. Delovni čas po meri

- A. Nazaj na "delovni čas"
- B. Zavrtite v smeri urnega kazalca  Pojdite na "Delovni čas po meri", nato za kratek pritisnite.
- C. Zavrtite v smeri urnega kazalca  Izberite dan v tednu in nato kratko pritisnite.
- D. Nato pritisnite , da odprete nastavitve.
- E. Zavrtite v smeri urnega kazalca , da aktivirate "Časovny plán # 1 **". Kratko pritisnite  za potrditev.
- F. Nato, vrtenje v smeri urnega kazalca  Izberite začetni čas "ura / minuta", nato s kratkim pritiskom vnesite nastavitve. Izbrana številka bo utripala.
- G. Zavrtite, da izberete začetni čas, za katerega želite, da ga LANDROID obreže na določen datum, nato pritisnite za potrditev s kratkim pritiskom. Z istim postopkom dokončajte čas ustavitve.
- H. Po tem vrtenje v smeri urnega kazalca in kratek pritisnik za vstop v nastavitvev "rezanje okvirja".
- I. Zavrtite , da izberete, ali želite aktivirati "Border Cut", in nato za potrditev kratek pritisnik.
- J. Če želite nastaviti "Časovny plán#2 **", uporabite isti način kot zgoraj.
- K. Pritisnite  in na enak način nastavite delovni čas drugih delovnih dni.



* V enem dnevu lahko nastavite dva urnika.

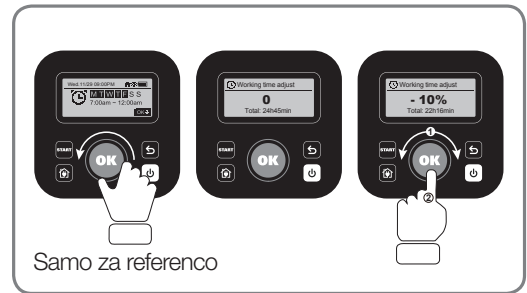
4. Prilagoditev delovnega časa

Delovni čas v tednu lahko hitro prilagodite. Povečanje / zmanjševanje časa bo enakomerno razporejeno na zahtevane delovne dni

- A. Vrnite glavni zaslon.
- B. Zavrtite v nasprotni smeri urnega kazalca **OK** Za vklop prilagoditve delovnega časa.

OPOMBA: Skupni čas temelji na delovnem času po meri in ga je mogoče prilagoditi v 10% naklonu.

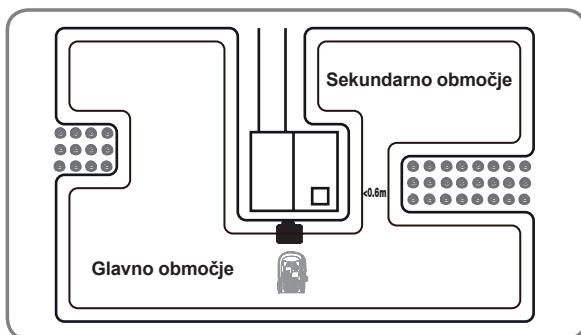
- C. Nato zavrtite **OK** za nastavitev in s kratkim pritiskom potrdite.



5. Nastavitev enojnega reza

Če ima vaš travnik več območij, povezanih s hodniki, mora biti širina najmanj 0.6 m. Če je hodnik ožji od 0.6 m, bo Landroid imel težave pri premikanju med njimi. V tem primeru je priporočljivo postaviti primarna in sekundarna območja na travniku. Mejna črta mora biti postavljena, kot je prikazano.

Za prilagodljive delovne nastavitve (ali naj se vrne na polnilno postajo in ali prereže okvir), še posebej, če se Landroid nahaja na pomožnem območju brez polnilne postaje, Časi zmanjšani.

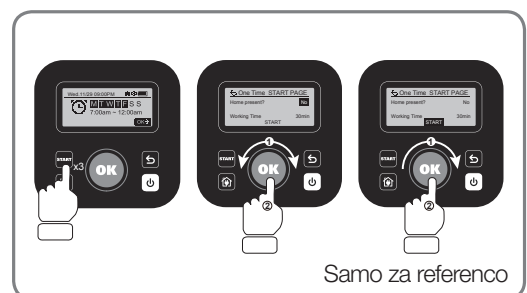
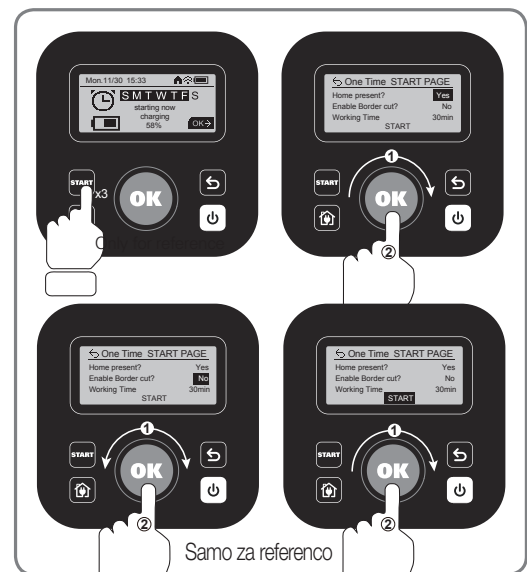


- Landroid postavite znotraj mejne črte.
- Ko je vaš Landroid priključen na polnilno osnovo .
- A. Vrnite glavni zaslon.
- B. Trikrat hitro pritisnite **START** .
- C. Zavrtite v smeri urnega kazalca **OK** Izberite "Darilo za dom? - DA / NE " (ne glede na polnilna postaja , ali je na tem območju), nato za kratek pritisk pritisnite, da vnesete nastavitev. Izbrana beseda bo utripala, nato za potrditev kratko pritisnite.
- D. Nato zavrtite **OK** Izberite »Omogoči rezanje obrobe da / ne« (ali naj se režejo meje) in nato kratko pritisnite. Izbrana beseda bo utripala, nato za potrditev kratko pritisnite. Nato z isto metodo dopolnite "delovni čas".
- E. Nato zavrtite v smeri urnega kazalca **OK** Izberite "Start", nato s kratkim pritiskom začnite obrezovanje

Pozor : Landroid se bo vrnil na Polnilno postajo Za polnjenje akumulatorja, ko Čas zmanjkuje ali se zmanjša. Če je Landroid popolnoma napolnjen in nastavljeni čas še ni potekel, bo Landroid nadaljeval s košnjo do konca časa.

- Ko Landroid odklopite od Polnilne postaje ,
- A. Vrnite glavni zaslon.
- B. Hitro pritisnite **START** trikrat.
- C. Zavrti **OK** Izberite "Darilo za dom? - DA / NE " (Polnilna postaja Ali je na tem območju) in kratek pritisk Vnesite nastavitve . Izbrana beseda bo utripala, nato za potrditev kratko pritisnite. Uporabite isto metodo za dokončanje "delovnega časa".
- D. Nato zavrtite v smeri urnega kazalca **OK** Izberite "Start" in nato s kratkim pritiskom zaženite obrezovanje

Opomba: ko se vaš Landroid nahaja na glavnem območju (običajno na polnilni postaji), se bo vrnil polnilna postaja se uporablja za polnjenje, ko se baterija izprazni ali čas rezanja poteče. Če je Landroid popolnoma napolnjen in nastavljeni čas še ni potekel, bo Landroid nadaljeval s košnjo do konca časa. Ko je vaš Landroid na sekundarnem območju, bo ustavil košnjo in ostal tam, kjer je, ko se je baterija izpraznila, čas rezanja je nastopil, Landroid naleti na nekaj težav (na primer zrušitev in druge) ali ročno pritisnete "STOP" .



POVEZOVANJE KOSILNICE LANDROID Z INTERNETOM

Zakaj povezati kosilnico Landroid

Vaš Landroid lahko povežete prek Wi-Fi ali Bluetootha.

Kosilnica Landroid je naprava IoT (angl. Internet of Things, internet stvari) Če želite, da vaša kosilnica Landroid deluje s polno zmogljivostjo in da je vedno posodobljena na najnovejšo različico programske opreme, jo morate povezati z internetom preko svojega omrežja Wi-Fi

PREDEN ZAČNETE

1. Prenesite aplikacijo

Najprej prenesite brezplačno aplikacijo Landroid. Prenesete jo lahko iz trgovine Android ali Apple

2. Prepričajte se, da imate:

A. Geslo svojega omrežja Wi-Fi / Funkcija Bluetooth na pametnem telefonu
 B. Serijsko številko kosilnice Landroid: najdete jo lahko na nalepki pod zadnjim pokrovom naprave.

Če 20-mestne serijske številke ne želite vtiskavati, jo vnesite tako, da skenirate kodo QR s fotoaparatom svojega pametnega telefona.

3. Preverite nastavitve

Povezava Wi-Fi

A Kosilnica Landroid deluje s signalom Wi-Fi 2.4 GHz

B Prepričajte se, da je vaša kosilnica Landroid v istem območju usmerjevalnika kot vaš pametni telefon

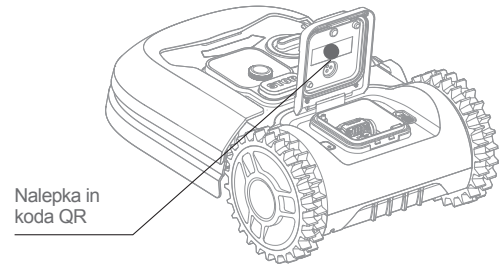
C Prepričajte se, da je razdalja med kosilnico Landroid, vašim pametnim telefonom in usmerjevalnikom med povezovanjem kar se da majhna

Nasvet: ko se kosilnica Landroid pomakne v območje vaše trate, kjer je signal Wi-Fi šibek ali pa ga ni, se bodo navodila, ki jih pošlje aplikacija, izvedla šele, ko se kosilnica Landroid vrne na območje z dobrim signalom.

Bluetooth povezava

A.V pametnem telefonu je aktivirana funkcija Bluetooth.

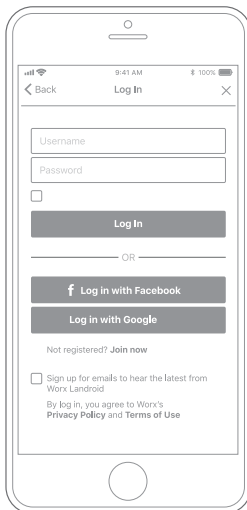
B.Prepričajte se, da je vaš Landroid znotraj oddaljenosti, ki jo je mogoče povezati.



KAKO POVEZATI KOSILNICO LANDROID Z INTERNETOM

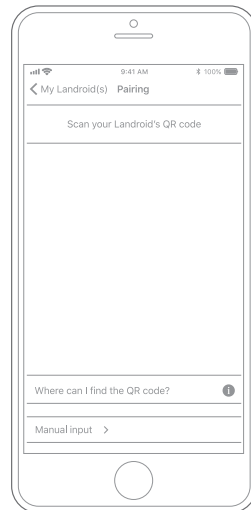
Odpri aplikacijo in upoštevajte ta navodila.

1. Registrirajte svoj račun



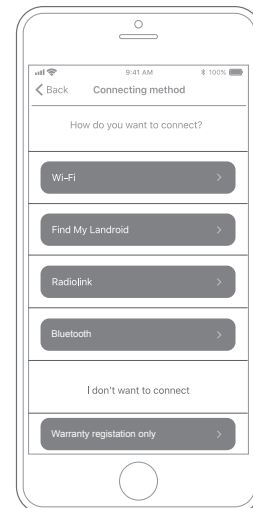
Registrirajte svoj račun tako, da vnesete uporabniško ime in geslo ali pa se prijavite preko računa Facebook ali Google.

2. Vnesite serijsko številko kosilnice Landroid



Registrirajte svojo kosilnico Landroid tako, da vnesete serijsko številko, in sicer ročno ali pa s pomočjo skeniranja kode QR.

3. Izberite svojo povezavo



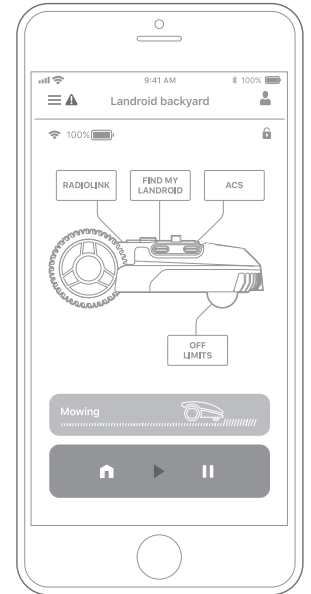
Izberite omrežje Wi-Fi ali Bluetooth ali pa se lahko povežete z Landroidom, tako da poiščete mojo možnost Landroid ali RadioLink.

Če vaše omrežje Wi-Fi ne pokriva celotne trate, boste morda želeli kupiti možnost Landroid RadioLink, ki signal razširi na obseg do 300m. Kot alternativo lahko kupite možnost Find My Landroid, ki kosilnico Landroid poveže z internetom preko vgrajene kartice SIM, poleg tega pa vam omogoča tudi, da kosilnici sledite, če bi se vam slučajno zgodilo, da bi vam jo ukradli.

APLIKACIJA LANDROID VEČ KOT LE DALJINSKI UPRAVLJALNIK

O aplikaciji ne razmišljajte kot o daljinskem upravljalniku. Je namreč bistveni sestavni del naprednega ekosistema Worx Landroid, osnovanega na računalništvu v oblaku in umetni inteligenci.

Zahvaljujoč funkciji nadgrajene resničnosti, ki jo omogoča aplikacija, lahko natančno izmerite področje svoje trate. To lahko enostavno storite tako, da se sprehodite po meji trate. Številni dejavniki vplivajo na stopnjo rasti trave. Landroid jih kombinira, da določi najboljše zdravljenje vaše trate. Dan za dnem



⚠ AVISO: Leia todos os avisos e instruções de segurança. O desrespeito dos avisos e instruções pode resultar em choques eléctricos, incêndios e/ou ferimentos graves.

Leia cuidadosamente as instruções sobre o funcionamento seguro da máquina.

Preserve todos avisos e instruções para referência futura.

COMO FUNCIONA O LANDROID

Na seguinte secção, gostaríamos de o ajudar a compreender melhor o funcionamento do Landroid.

O Landroid é uma máquina autónoma, capaz de operar por si própria. Sabe quando se deve dirigir para a sua base de carregamento, consegue sentir quando está a chover, pode parar caso note que existe um problema e saber, recuar e voltar para trás quando encontra um obstáculo que lhe bloqueia o caminho. Para prevenir um acidente, o Landroid irá também parar de forma automática a rotação do disco de lâmina caso este seja levantado do chão.

Carrega-se a si próprio



Sempre que o seu Landroid precisar de recarregar, ele irá parar e seguir o fio delimitador numa direção contrário ao dos ponteiros do relógio de volta para sua base de carregamento. Assim que o carregamento estiver concluído, o Landroid irá automaticamente continuar a cortar a relva ou permanecer na base de carregamento de acordo com a sua programação de corte.

Gestão dos limites



O Landroid está programado para cortar a grama ao longo do perímetro do seu gramado duas vezes por semana na segunda e sexta-feira. Caso deseje alterar esta predefinição, poderá fazê-lo através do seu smartphone ou do painel de controlo nos menus "Work time-Customise Work time". Consulte as instruções detalhadas no final deste manual.

Sensor de chuva



O Landroid é 100% impermeável à água e é feliz no exterior. Mas o corte de relva molhada não lhe oferece o melhor acabamento ou resultado. O Landroid está equipado com um sensor de chuva que deteta chuva e informa o Landroid para que pare o corte e regresse à sua base de carregamento.

Tempo de Atraso por Chuva



Após a queda de chuva, o Landroid reinicia quando a relva deixa de estar molhada. O tempo de Atraso por Chuva predefinido é de 180 minutos. Poderá alterar a definição do tempo de Atraso por Chuva através da aplicação Landroid .

Em condições climáticas mais extremas



No caso de uma trovoadas, proteja o Landroid desligando-o da base de carregamento, desligando o fio delimitador e assegurando que o Landroid não consegue carregar. No Inverno e especialmente no caso de condições muito frias e neve, recomenda-se o armazenamento do seu Landroid no interior. Em alguns países oferecemos uma manutenção de inverno do seu Landroid para que este esteja pronto para a época de crescimento na primavera. Contacte o seu revendedor ou busque online por mais detalhes.

1.6 Mais nenhum pedaço de relva para recolher

O corte diário do Landroid produz muito poucos pedaços de relva que necessitam de ser recolhidos. Estes pedaços são um nutriente orgânico perfeito para a sua relva. O corte frequente aumenta a densidade de lâminas de relva e previne eficazmente a propagação de ervas daninhas.

1.7 Cortar até ao extremo

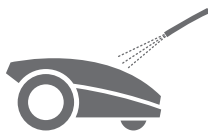
A lâmina desviada especial aproxima-se o mais que possível do extremo da sua relva, deixando-lhe praticamente sem nada que podar.

1.8 Altura de corte

Antes de iniciar o Landroid pela primeira vez, assegure-se de que a sua relva não tem mais de 10 cm. Caso seja maior, utilize um corta relvas normal para a cortar antes de operar o Landroid. Caso deseje drasticamente encurtar a altura da sua relva, recomenda-se que o faça de forma progressiva ao ajustar a altura de corte em incrementos.

1.9 Segurança e Proteção por PIN

Para impedir o seu uso por parte de pessoas não autorizadas, o Landroid está protegido por um código PIN fácil de configurar.

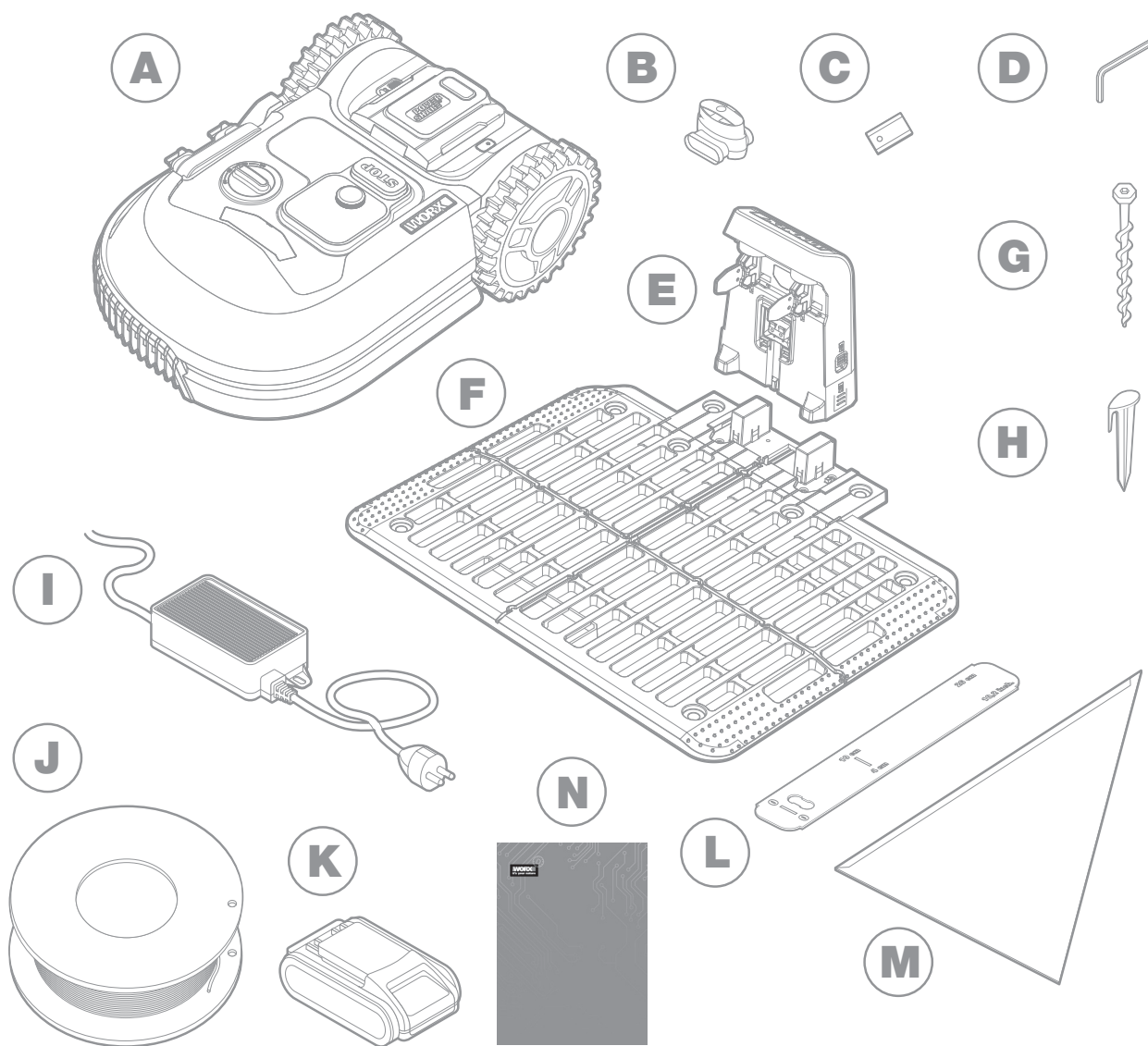
Limpeza fácil

Graças à função à prova de água do IPX5, o Landroid se livra da sujeira, grama e várias manchas que apanha no trabalho. Faça o Landroid ter uma aparência e um desempenho melhor.

Rastreador do chão

Com um novo design de levantamento automático, suas lâminas podem se elevar automaticamente, proporcionando mais espaço. Isso ajuda o Landroid a evitar certas situações que bloqueariam outros cortadores robóticos.

O QUE ESTÁ NA CAIXA



A imagem é apenas para referência

A Worx Landroid

B Fichas de reparação do fio

C Kits de lâminas sobresselentes

D Chave hexagonal

E Pilha de carregamento

F Base de carregamento

G Parafusos

H Molas de arame

I Fonte de alimentação

J Fio delimitador

K Bateria de 20V

L Medidores de distância do fio delimitador

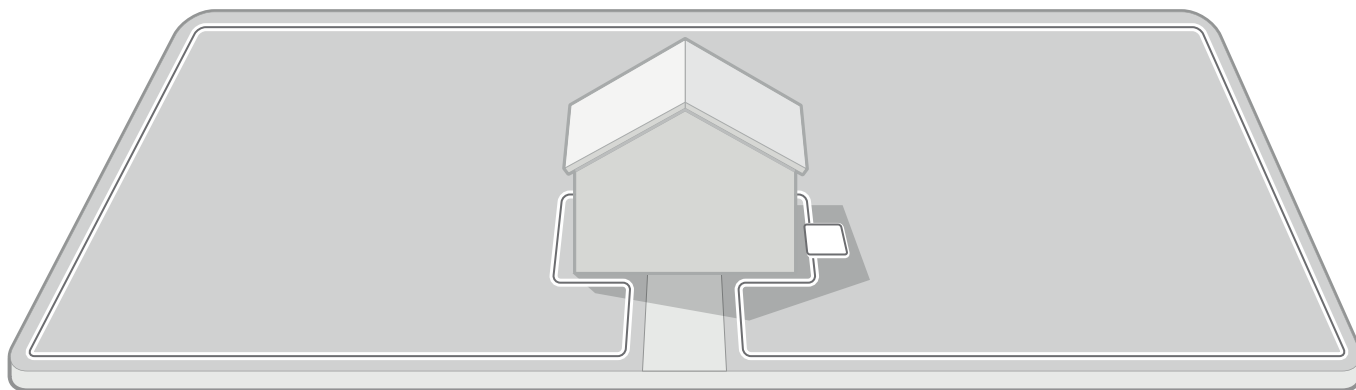
M Régua Bertelsen

N Manuais

INSTALAÇÃO

A instalação do seu Worx Landroid é mais simples caso siga cuidadosamente estas instruções. No final de contas, basta instalar a estação de carregamento e colocar o fio delimitador em redor do seu relvado. Além deste manual, poderá utilizar o guia Começar que está no interior da caixa e assistir aos extensos tutoriais de vídeos no nosso canal de YouTube*.

* Esta informação é fornecida para sua conveniência mas não substitui o manual de instruções e as instruções de segurança que têm de ser lidas e compreendidas.



Dê uma vista de olhos à sua relva para planear a instalação

Instalação da estação de carregamento

Coloque o fio delimitador

Ligue a estação de carregamento à CA

Ligue o Landroid. Teste e prepare-se para cortar

CADA MINUTOS INVESTIDO NO PLANEAMENTO POUPA-LHE 10 MINUTOS NA EXECUÇÃO

A instalação do Landroid é ainda mais simples caso tenha uma ideia clara daquilo que necessita de fazer. Um bom planeamento também o ajudará a evitar erros ou uma nova instalação assim que terminado.

1. Na superfície ou enterrado?

O fio delimitador do Landroid está desenhado para permanecer na superfície do seu relvado. Praticamente invisível no primeiro dia, ele ficará envolto pelo solo em algumas semanas. Caso deseje enterrar o fio, recomenda-se que o fixe primeiro e que teste se a instalação foi bem sucedida ao fazer com o que Landroid percorra o perímetro. Isto permite que verifique toda a instalação de forma simples e, se necessário, alterar a disposição antes de enterrar o fio. Enterre o fio apenas alguns centímetros abaixo do nível do solo, de forma a que o fio assegure um bom sinal.

2. Planeie a posição da estação de carregamento

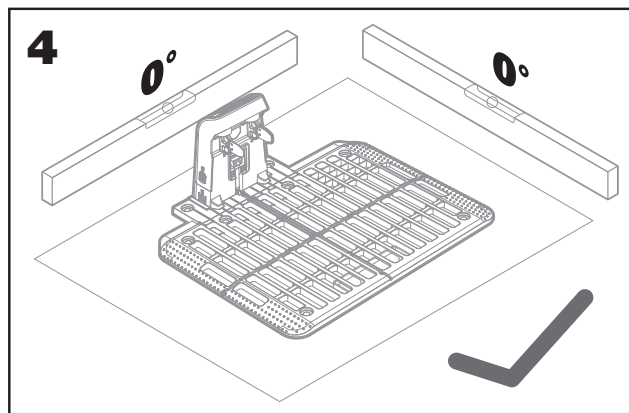
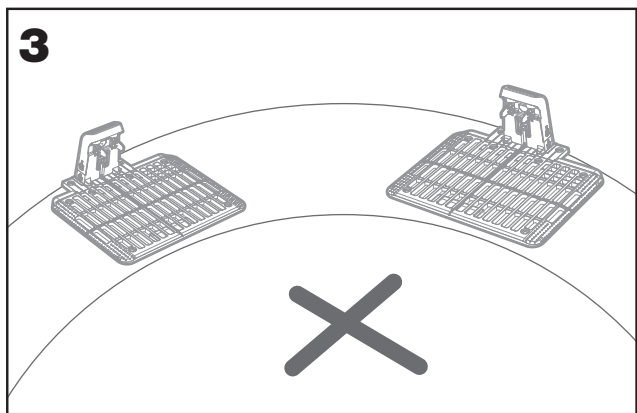
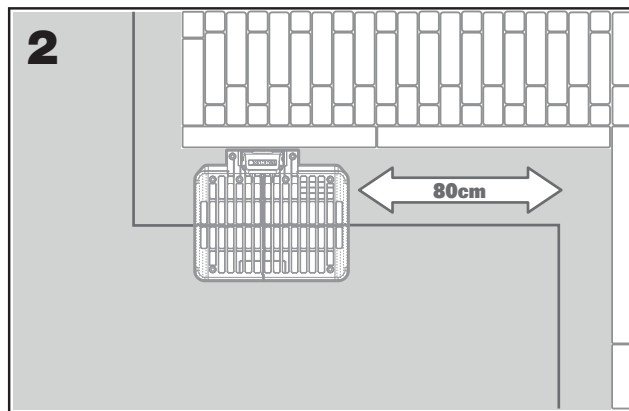
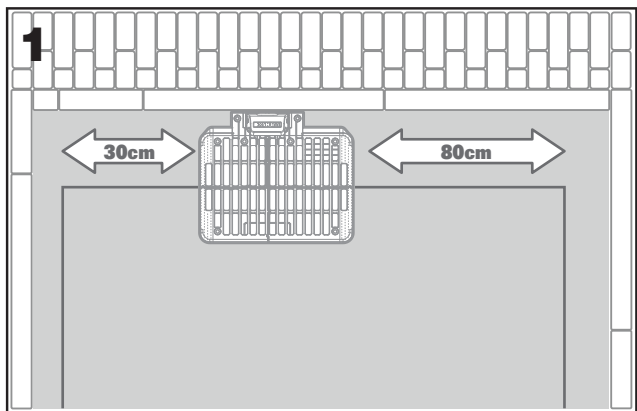
A estação de carregamento, composta de pilha de carregamento e base de carregamento, é o local onde o Landroid recarrega a sua bateria. É também o local de estacionamento onde repousa entre sessões de corte.

Encontre uma posição adequada para ela, tendo em conta:

- A. Necessita de alimentação, pelo que não deve estar a mais de 10 m da tomada elétrica de CA
- B. Se possível, escolha uma posição à sombra uma vez que as baterias e os carregadores não apreciam o sobreaquecimento
- C. A base necessita de repousar na horizontal para assegurar uma acoplagem eficaz
- D. Evite locais junto a aspersores de irrigação

Poderá colocar a estação de carregamento no seu relvado ou numa superfície dura como um corredor, desde que o relvado e a superfície dura estejam à mesma altura (sem degraus).

Para entrar na estação, o Landroid necessita de pelo menos 80 cm de percurso reto diante de si. Do lado de saída, necessita de pelo menos 30cm de percurso reto antes de uma curva à esquerda (fig. 1). Caso a curva seja à direita, não existe necessita de um percurso reto (fig. 2).

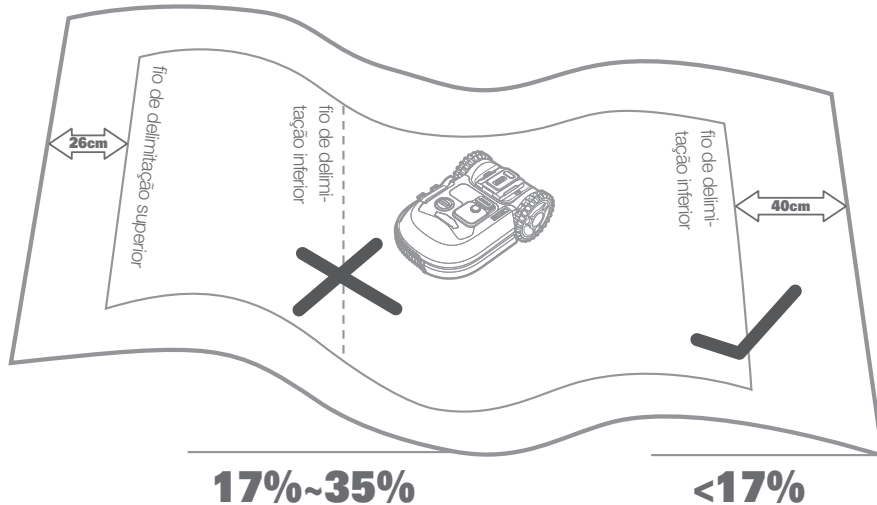


3. Lista de verificação da estação de carregamento:

- A. dentro do alcance da rede de CA
- B. à sombra
- C. percurso reto à entrada; percurso reto à saída se necessário
- D. solo nivelado
- E. sem aspersores de irrigação nas proximidades

4. Colocação do fio de delimitação em inclinações

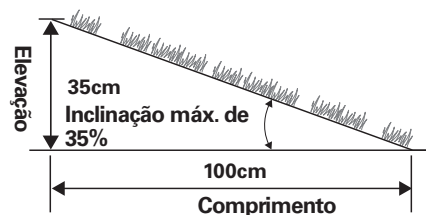
O fio de delimitação superior NÃO deve ser colocado em inclinações mais acentuadas do que 35% (20)*. O fio de delimitação inferior NÃO deve ser colocado em inclinações mais íngremes que 17% (10°) e deve ser colocado a pelo menos 40 cm de qualquer obstáculo quando posicionado numa inclinação de 17%.



*Como calcular a inclinação do seu relvado?

Por isso, a inclinação seria:

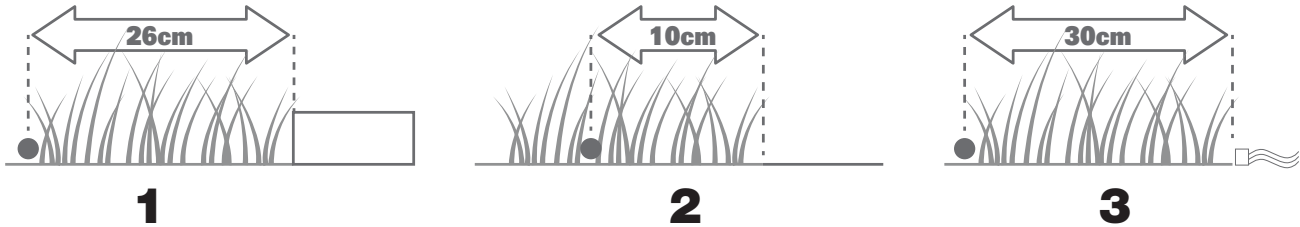
$$\frac{35 \text{ cm (Elevação)}}{100 \text{ cm (Comprimento)}} = 35\% \text{ (Inclinação)}$$



5. Planeie o fio delimitador

O fio deverá ser colocado a uma determinada distância da extremidade do relvado. Esta distância altera-se dependendo do que estiver do outro lado do extremo. Diferentes partes do seu relvado poderão estar rodeadas de diferentes cenários:

- A. Caso o extremo da relva esteja próximo de um degrau: mantenha o fio a 26 cm do extremo. (figura 1)
- B. Caso o extremo dos relvados esteja próximo de percurso com a mesma altura: mantenha o fio a 10 cm do extremo. (figura 2)
- C. Se a borda do relvado estiver à beira de uma piscina: mantenha o fio a pelo menos 30 cm da borda. (figura 3)



Se um lado do relvado estiver perto do relvado de um vizinho com um cortador de relva robótico a ser utilizado, coloque o fio pelo menos 1 m de distância do fio do vizinho para evitar possíveis interferências.

PATRULHE O SEU RELVADO

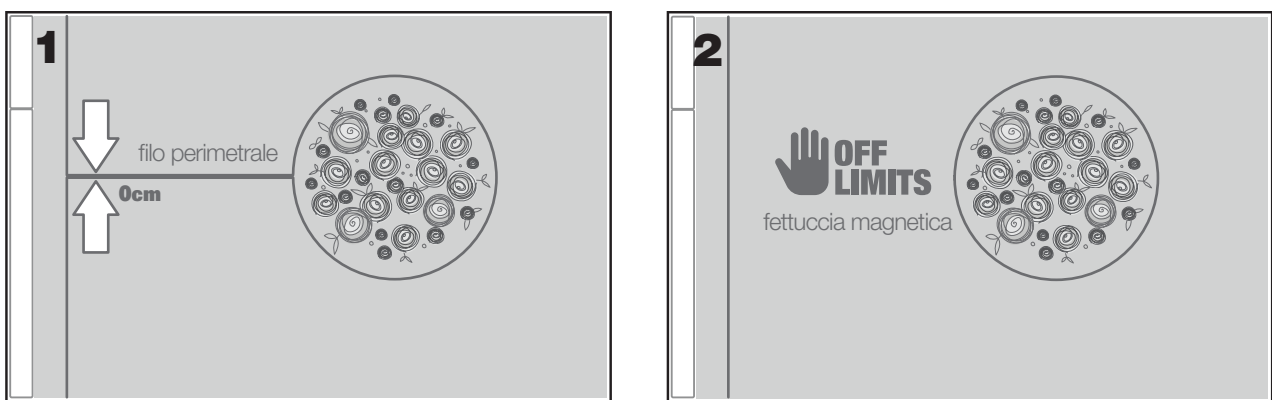
O Landroid está concebido para gerir os relvados mais complexos. Realize uma inspeção visual do seu relvado para que esteja preparado para uma instalação do fio delimitador livre de problemas.

1. Identifique áreas proibidas

Não quer que o seu cortador robótico corte flores, mergulhe num lago, ou desfaça raízes de árvores que emerjam do solo. Encontre estas áreas e rodeie-as com fio delimitador para impedir que o Landroid lhes aceda.

O fio delimitador é um circuito único ligado em ambas as extremidades à estação de carregamento, sendo que terá de partir com o fio a partir do limite, rodear a área que deseja proteger e levar novamente o fio até ao limite, conforme ilustrado aqui na fig. 1. Caso as áreas a rodear estejam afastadas do limite do seu relvado, ou caso disponha de várias áreas e raízes para proteger, este método tradicional é demorado.

Uma excelente alternativa consiste na aquisição da opção Landroid's Off-Limits. Com esta opção, basta rodear as áreas proibidas com a cerca digital Off-Limits, que não necessita de estar ligada ao circuito limitador (fig. 2). A cerca digital Off-Limits também serve para proteger o equipamento sazonal (ex. um trampolim) ou para a proteção de novas alterações à disposição do seu relvado sem ter de refazer o fio delimitador.



2. Identifique os obstáculos

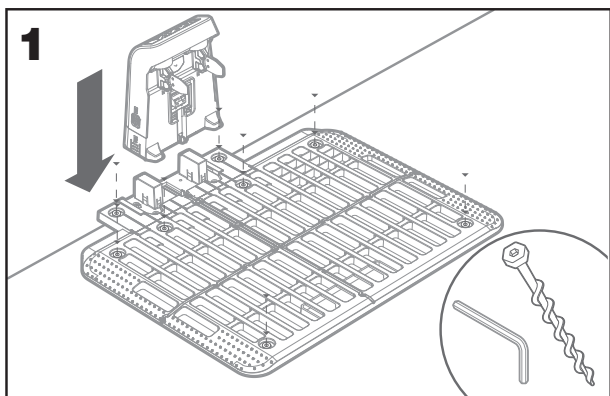
O sensor de choque do Landroid é capaz de gerir obstáculos sólidos como árvores, mobília e artigos semelhantes, que não necessitam de ser rodeados por fio. Caso o seu relvado tenha vários obstáculos e árvores próximas umas das outras, recomendamos que adquira a opção ACS Landroid, um piloto automático ultrassónico inteligente que faz com que o Landroid se oriente em redor de obstáculos em vez de chocar contra eles.

AGORA ARREGACE AS MANGAS. ESTÁ TUDO PRONTO!

Agora que planeou a instalação até ao último pormenor, está pronto para começar. Antes de começar, poderá utilizar o seu último cortador de relva pela última vez para limpar o seu relvado e simplificar a instalação.

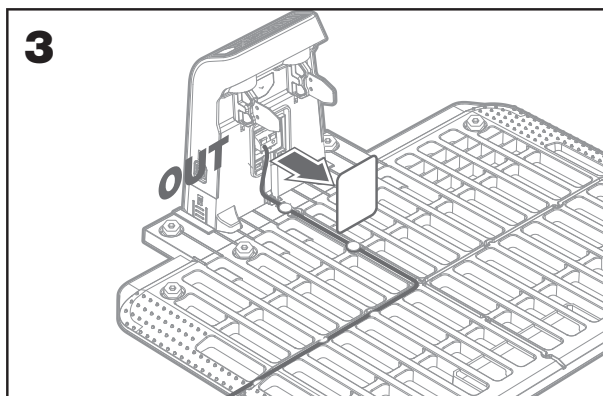
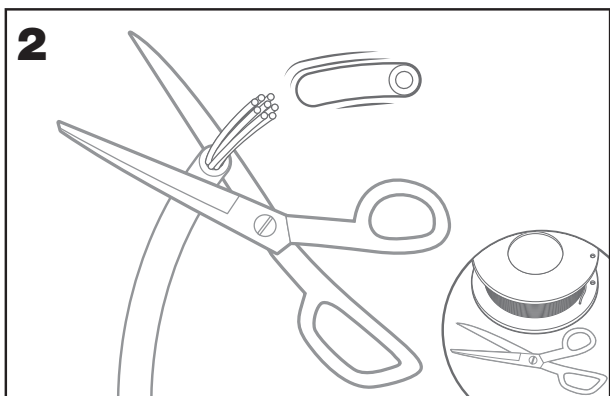
1. Fixe a estação de carregamento no local selecionado

- A. Insira a pilha de carregamento na base de carregamento. Em seguida, fixe a estação de carregamento ao chão por meio dos parafusos fornecidos, usando a chave hexagonal fornecida (fig.1)
- B. Caso posicione a base numa superfície dura, fixe-a com fixações de parafuso e porca (não fornecidas)



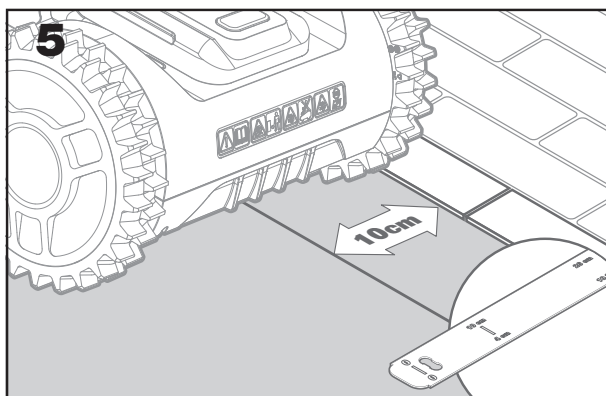
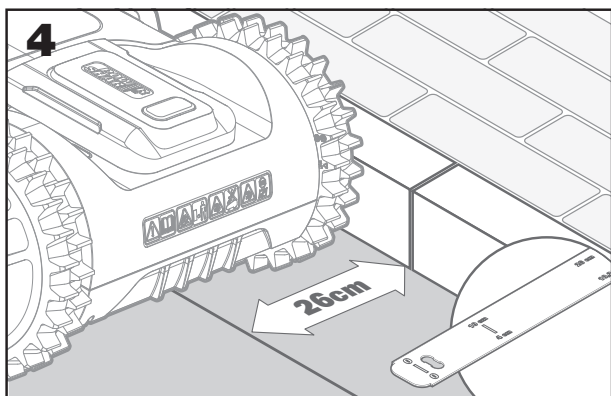
2. Ligue uma extremidade do fio delimitador à estação de carregamento

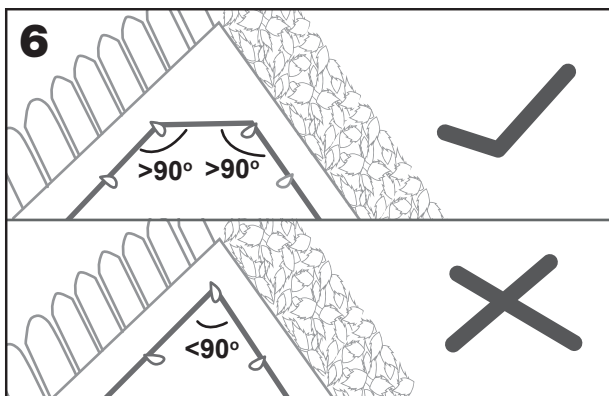
- A. Descarne o fim do fio com um par de tesouras (fig. 2)
- B. Abra a porta de plástico e introduza a extremidade descarnada no grampo esquerdo vermelho (fig. 3)
- C. Atravesse o fio pela guia da base, conforme ilustrado na fig. 3



3. Coloque o fio delimitador em redor do seu relvado

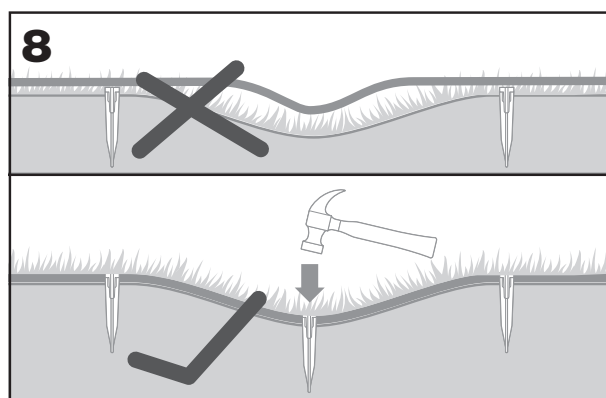
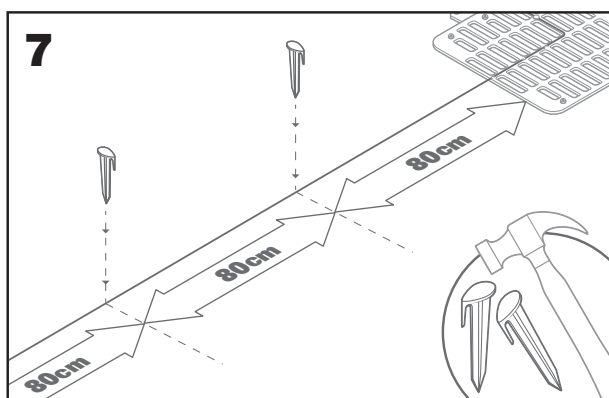
- A. Utilize o medidor fornecido para estabelecer a distância do fio ao extremo
- B. Caso exista um degrau no extremo do seu relvado, mantenha o fio a 26cm de distância do mesmo (fig. 4)
- C. Caso não exista um degrau, mantenha o fio a 10cm do extremo (fig. 5)
- D. Certifique-se de que o fio de limite está perfeitamente reto em cada canto e o ângulo do fio de limite é maior que 90°.





4. Fixe o fio ao solo através de molas

- A. Coloque as molas a aproximadamente 80 cm umas das outras (fig. 7)
- B. Assegure-se de que o fio está sempre próximo do solo (fig. 8)

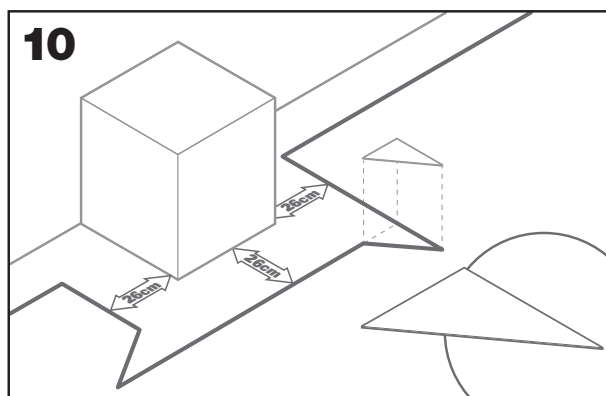
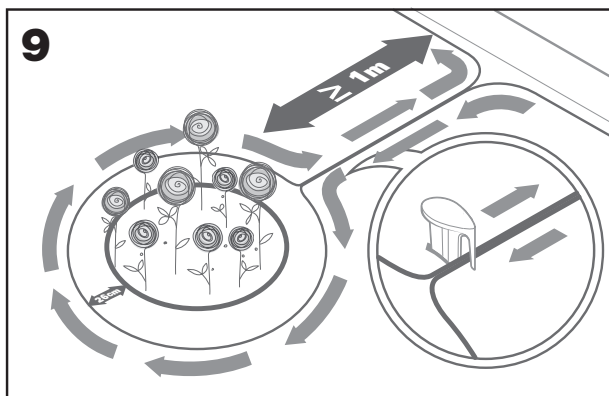


5. Caso seja necessário, crie ilhas de perímetro

- A. Proteja os canteiros, lagos, raízes de árvores e outras áreas que as rodeiam com o fio delimitador
- B. Parta do extremo a um ângulo reto para alcançar área a proteger
- C. Rodeie a área em redor do fio, mantendo 26 cm de distância, até fechar a ilha
- D. Coloque sempre o fio no sentido dos ponteiros do relógio. A negligência desta instrução fará com que o cortador de relva atravesse a ilha
- E. Regresse ao extremo do relvado seguindo o mesmo caminho

6. Método Bertelsen: como efetuar ângulos de 90° perfeitos com cantos virados para o relvado

Caso existam cantos de 90 graus virados para o interior do seu relvado, utilize a régua Bertelsen para ajudar o Landroid a realizar curvas perfeitas (e remover o risco de que o Landroid atinja um obstáculo no limite do relvado enquanto realiza esta manobra).



7. Feche o circuito

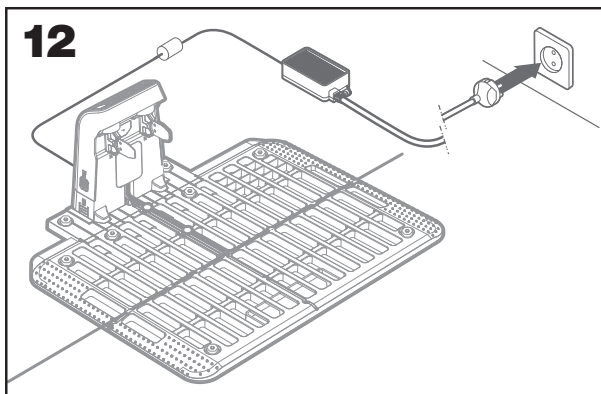
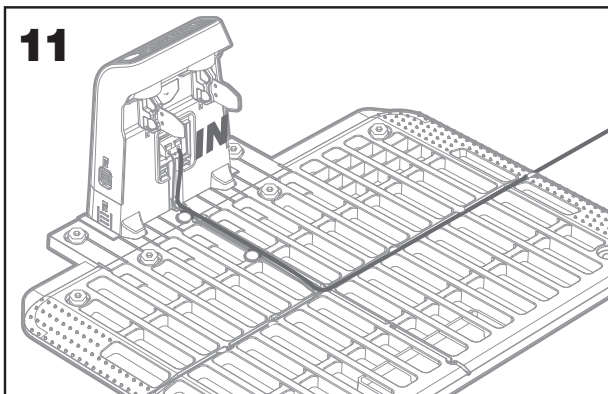
Após fixar o fio no perímetro do seu relvado, chegará uma vez mais à base de carregamento.

- A. Atravesse o fio pelo guia na base, até ao grampo (fig.11)
- B. Corte o fio excedente e descarte a extremidade com um par de tesouras
- C. Introduza a extremidade descarnada no grampo direito negro

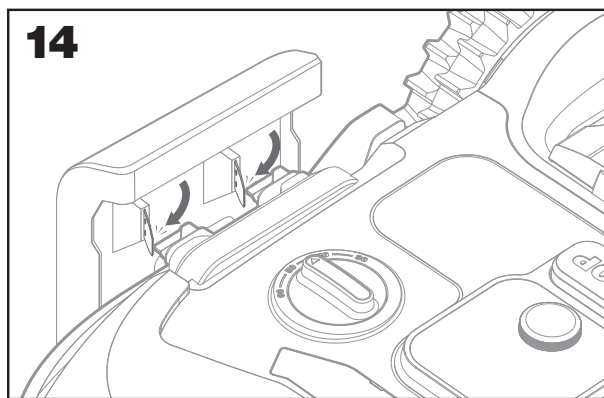
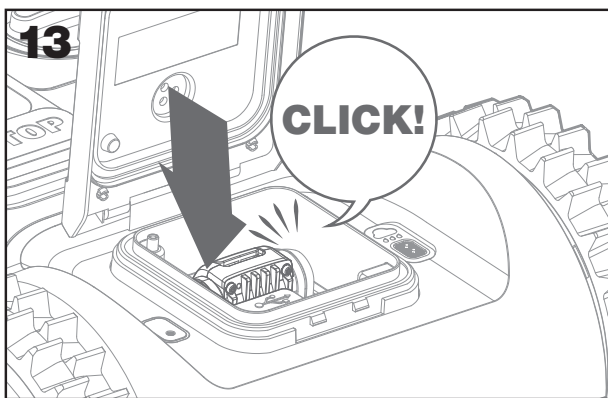
8. Passos finais

A parte aborrecida já terminou! Faltam apenas mais alguns passos:

- A. Ligue a estação de carregamento à tomada de rede de CA (fig. 12)
- B. Caso tudo esteja bem, o LED irá acender-se a verde
- C. Caso existe um problema no circuito, como um fio partido ou extremidades do fio que não estejam corretamente apertadas, o LED irá acender-se a vermelho. Confirme que tudo está bem e veja a sessão de FAQ caso o problema persista



- D. Abra a traseira do Landroid e introduza a bateria PowerShare na ranhura até ouvir um clique (fig.13)
- E. Coloque o Landroid a carregar, assegurando que seja estabelecido um contacto profundo com a base (fig. 14). O LED piscará verde; Quando a bateria estiver totalmente carregada, o LED ficará verde sólido.



F Permita que o Landroid carregue a bateria durante algum tempo. Durante o seu carregamento poderá fazer uma merecida pausa: familiarize-se com as seguintes instruções e ligue o Landroid à sua rede Wi-Fi.

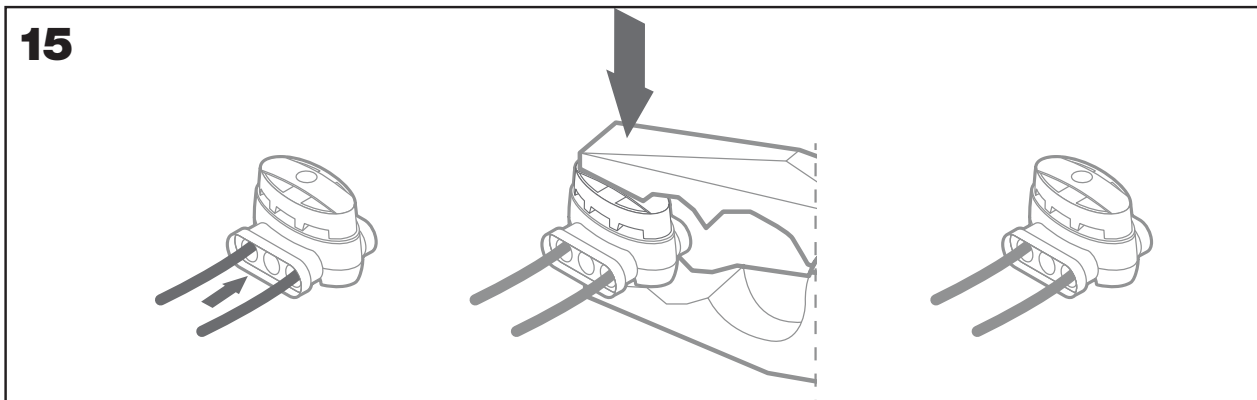
9. Unir o fio delimitador

A caixa Landroid inclui duas pequenas fichas de fio delimitador à prova de água. Podem ser utilizadas para o seguinte:

- A. Quando o seu relvado tem um perímetro muito longo e necessita de fio delimitador extra para concluir a instalação. Não exceda os 300m de fio delimitador: este é o comprimento máximo do perímetro de fio delimitador
- B. Sempre que o fio limite for cortado por acidente, terá de o reparar
- C. Sempre que decidir trabalhar no seu jardim no futuro e necessitar de alterar a instalação original do fio delimitador

As fichas são impermeáveis e oferecem uma ligação elétrica ideal. (Fig.15).

- A. Introduza ambas as extremidades do fio em qualquer um dos três orifícios da ficha; não há necessidade de descarnar os fios
- B. Introduza os fios por completo até que ambas as extremidades do fio estejam visíveis do outro lado da ficha
- C. Pressione firmemente a ficha utilizando um alicate



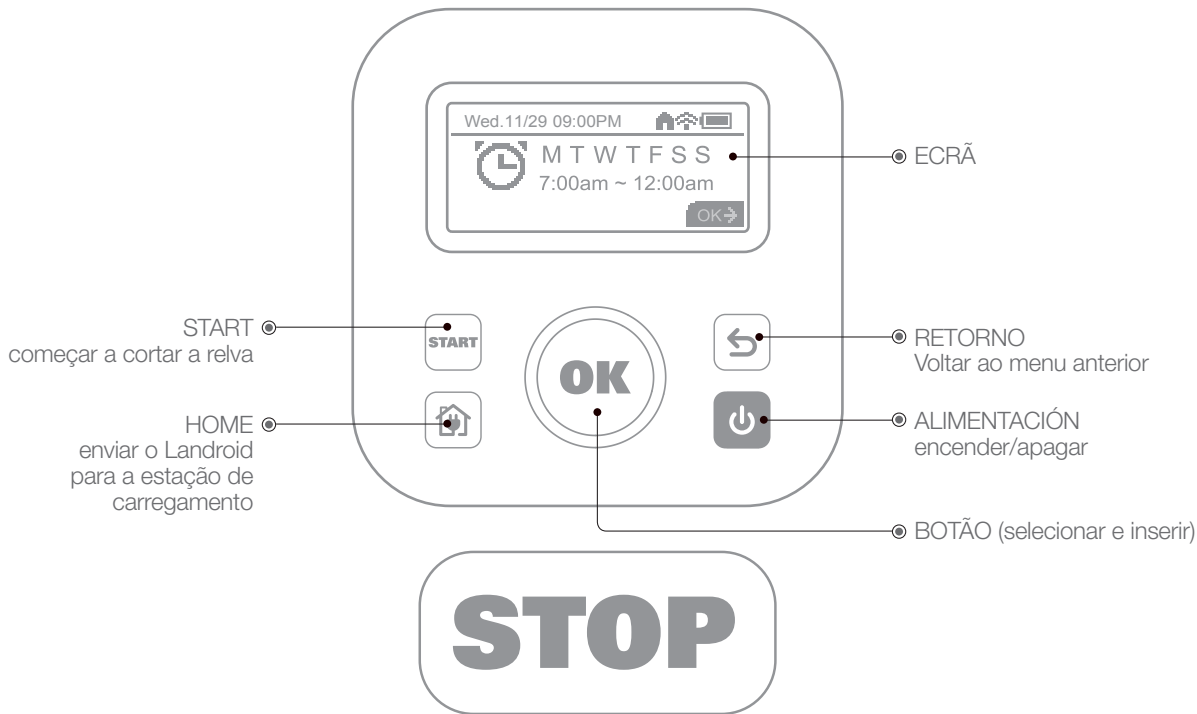
⚠ Atenção: não é recomendável simplesmente unir o fio delimitador com fito isoladora ou utilizar um bloco terminal de apertar para a ligação. Poderá ocorrer uma interrupção de um circuito após um período de tempo uma vez que a mistura do solo poderá oxidar o fio.

AGORA A PARTE ENTUSIASMANTE! INICIE O LANDROID PELA PRIMEIRA VEZ.

Familiarize-se com o painel de controlo

O painel de controlo do Landroid oferece as principais funções num design minimalista.

Para funções avançadas, a aplicação Landroid gratuita oferece mais opções num interface mais rico: o seu smartphone.



Iniciar o Landroid

- Coloque o Landroid dentro do fio limite
- Pressione **⏻** até que o ecrã se acenda. Em seguida, insira o código PIN
- Gira no sentido horário do **OK** para seleccionar o número e premir curto **OK** para confirmar um por um. O ecrã apresenta "PIN code OK"
- Pressione o botão **START** e em seguida **OK**. O Landroid começará a mover-se
- Poderá parar o Landroid a qualquer momento, pressionando o botão **STOP**
- Para enviar o Landroid para a estação de carregamento, pressione a tecla **HOME** e, em seguida, em **OK**

Nota: O código PIN padrão é 0000

PAINEL DE CONTROLO DO LANDROID

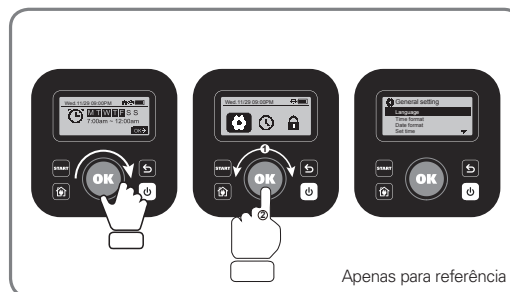
Funcionalidades avançadas através da interface integrada

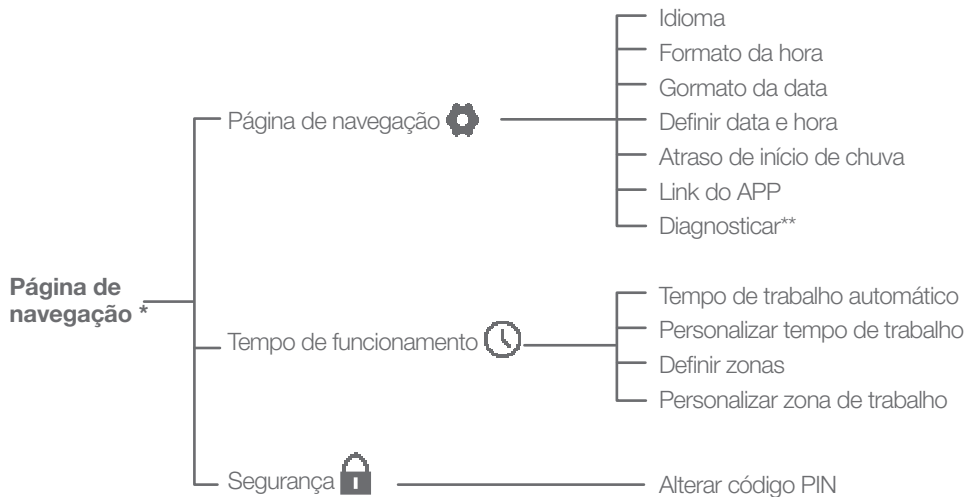
Apesar do seu design minimalista, pode definir várias funcionalidades avançadas através do painel de controlo integrado.

No entanto, para uma melhor experiência de utilizador, sugerimos que utilize a aplicação gratuita Landroid para o fazer visto que a sua interface é mais completa e intuitiva.

1. Configuração

- Gire **OK** no sentido horário para entrar na configuração
- Em seguida, gire **OK** para escolher "Configurações gerais" **⚙️** / "tempo de trabalho" **🕒** / "segurança" **🔒**, pressione rapidamente para entrar.
- Use o mesmo método para realizar as ações de acompanhamento.

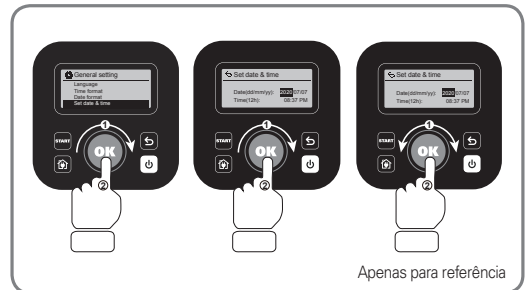




* Ser continuamente atualizado de acordo com a versão do software.
 ** Apenas para serviço pós-venda

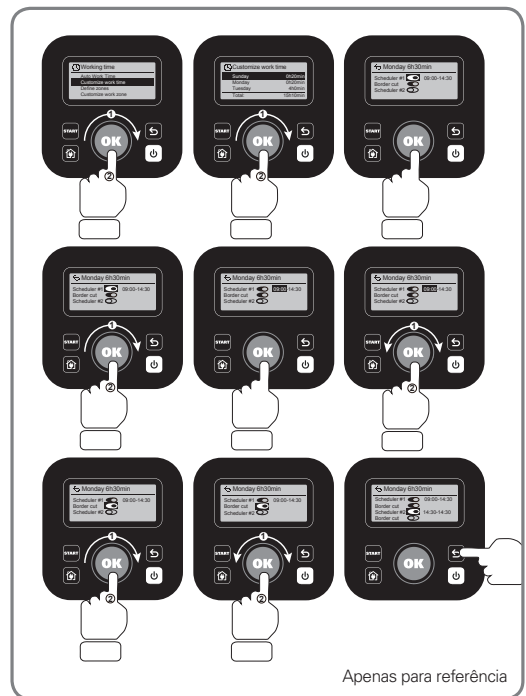
2. Definir data & hora

- A. Voltar para “Configurações gerais”
- B. Gire **OK** no sentido horário para “definir data & hora” e pressione rapidamente para entrar.
- C. Em seguida, gire **OK** no sentido horário para selecionar “dd” e pressione rapidamente. O número selecionado piscará.
- D. Em seguida **OK**, para selecionar o número e pressione rapidamente para confirmar. Use o mesmo método para completar “mm / aa / hora”.



3. Personalize o horário de trabalho

- A. Volte ao “horário de trabalho”
- B. Gire **OK** no sentido horário para “Personalizar horário de trabalho” e pressione rapidamente para entrar.
- C. Gire **OK** no sentido horário para selecionar o dia da semana e pressione rapidamente.
- D. Em seguida, pressione **OK** para entrar na configuração.
- E. Gire **OK** no sentido horário para ativar “Programação # 1 **”. Pressione rapidamente para confirmar.
- F. Em seguida, **OK** no sentido horário para selecionar a hora de início “hora / minuto” e pressione rapidamente para inserir a configuração. O número selecionado piscará.
- G. Gire o **OK** para selecionar a hora de início que você deseja que o LANDROID corte em um determinado dia e pressione rapidamente para confirmar. Use o mesmo método para completar o tempo de parada.
- H. Depois disso, gire **OK** no sentido horário e pressione rapidamente para entrar na configuração de “corte de borda”.
- I. Gire **OK** para escolher se deseja ativar o “corte de borda” ou não e pressione rapidamente para confirmar.
- J. Se você deseja definir “Programação # 2 **”, use o mesmo método acima.
- K. Pressione **↵** e use o mesmo método para definir o horário de trabalho de outros dias da semana.



* Duas cronogramas podem ser definidas em um dia.

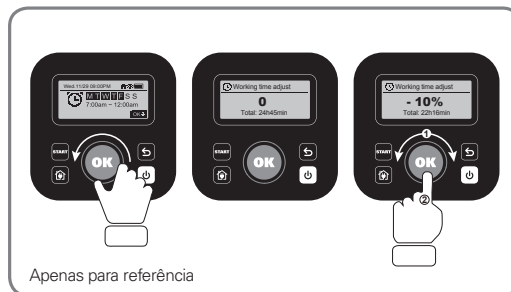
4. Ajuste de tempo de trabalho

Você pode ajustar rapidamente o horário de trabalho da semana. O incremento / decremento de tempo será alocado uniformemente para os dias úteis necessários. A. Retorne à interface principal.

B. Gire **OK** no sentido anti-horário para ativar o ajuste do tempo de trabalho.

NOTA: O tempo total é baseado no tempo de trabalho personalizado e pode ser ajustado por gradiente de 10%.

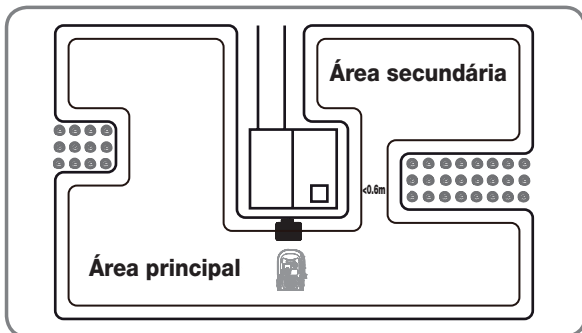
C. Em seguida, gire **OK** para ajustar e pressione rapidamente para confirmar.



5. Configuração de corte único

Se o seu gramado tiver várias áreas conectadas entre si por um corredor, o corredor deve ter pelo menos 0.6m de largura. Se o corredor for mais estreito do que 0.6m, o Landroid terá dificuldade em se deslocar entre eles. Nesse caso, é recomendável configurar uma área principal e uma área secundária em seu gramado. O fio de limite deve ser colocado conforme ilustrado na figura.

Para uma configuração de trabalho flexível (se deve voltar para a estação de carregamento e se deve fazer o corte de borda), especialmente quando o Landroid está em uma área secundária onde não há estação de carregamento, é necessário o ajuste de corte único.



- Coloque o Landroid dentro do fio de limite.
- Quando o seu Landroid é desconectado da estação de carregamento, A. Retorne à interface principal.
- B. Pressione **START** três vezes rapidamente.
- C. Gire **OK** no sentido horário para selecionar "presente página principal? - SIM / NÃO" (Se a estação de carregamento está na área ou não) e pressione rapidamente para entrar na configuração. A palavra selecionada piscará e pressione rapidamente para confirmar.

D. Em seguida, gire **OK** para selecionar "ATIVAR o corte da borda - Sim / não" (se deseja fazer o corte da borda ou não) e pressione rapidamente. A palavra selecionada piscará e pressione rapidamente para confirmar. Em seguida, use o mesmo método para completar o "tempo de trabalho".

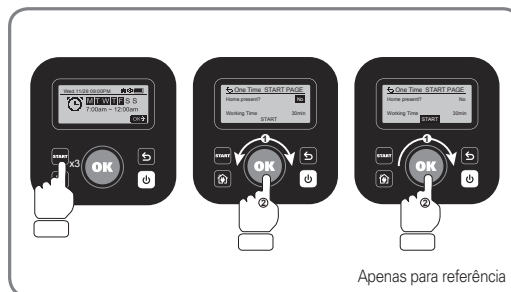
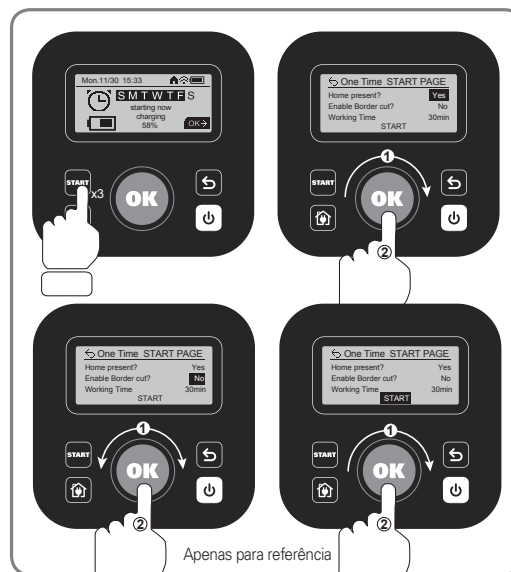
E. E, em seguida, gire **OK** no sentido horário para selecionar "Iniciar" e pressione rapidamente para começar a cortar

- Quando o seu Landroid é desconectado da estação de carregamento, A. Retorne à interface principal.
- B. Pressione **START** três vezes rapidamente.

C. Gire **OK** para selecionar "presente página principal? - SIM / NÃO" (Se a estação de carregamento está na área ou não) e pressione rapidamente para entrar na configuração. A palavra selecionada piscará e pressione rapidamente para confirmar. Use o mesmo método para completar o "tempo de trabalho".

D. E, em seguida, gire **OK** no sentido horário para selecionar "Iniciar" e pressione rapidamente para começar a cortar

Nota: Quando o Landroid estiver na área principal (o local onde fica a estação de carregamento normalmente), voltará à estação de carregamento para carregar quando a bateria se esgotar ou o tempo de corte estiver esgotado. Se o Landroid estiver completamente carregado e o tempo definido não tiver terminado, o Landroid continuará a cortar até que o tempo termine. Quando seu Landroid está em uma área secundária, ele para de cortar a grama e permanece no local quando a bateria se esgota, o tempo de corte se esgota, o Landroid encontra alguns problemas (por exemplo, batendo etc.) ou pressione "STOP" manualmente.



LIGAR O LANDROID À INTERNET

Para quê ligar o Landroid

O seu Landroid pode ser conectado por Wi-Fi ou Bluetooth.
O Landroid é um dispositivo IoT (Internet das Coisas). Para obter toda a funcionalidade do seu Landroid e para manter o seu software o atualizado possível, deverá estar ligado à Internet via a sua rede Wi-Fi

ANTES DE COMEÇAR

1. Descarregue a aplicação

Descarregue em primeiro lugar a aplicação Landroid grátis. Obtenha-a nas lojas de aplicações de Android ou Apple

2. Assegure-se de que possui:

- A. A palavra-passe da sua rede de WiFi / Função Bluetooth no seu smartphone
- B. Número de série do Landroid: pode ser encontrado no rótulo sob o capô traseiro da máquina.

Caso não deseje escrever o Número de Série de 20 dígitos, introduza-o ao ler o código QR com a câmara do seu smartphone.

3. Verifique as suas configurações

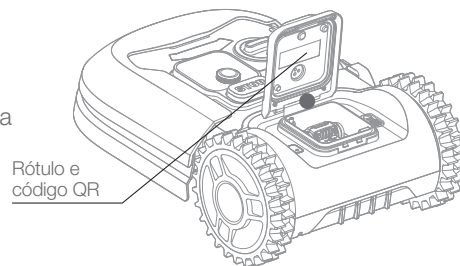
Conexão Wi-Fi

- A. O Landroid funciona com o sinal de Wi-Fi de 2,4GHz
- B. Assegure-se de que o seu Landroid se encontra no mesmo ambiente de router que o seu smartphone
- C. Assegure-se de que a distância entre o seu Landroid, smartphone e o seu router é a mais curta possível durante a ligação

Dica: quando o Landroid se deslocar para uma área do seu relvado com pouco ou nenhum sinal de Wi-Fi, as instruções enviadas a partir da aplicação apenas serão executadas quando o Landroid regressar a uma área com bom sinal.

Conexão bluetooth

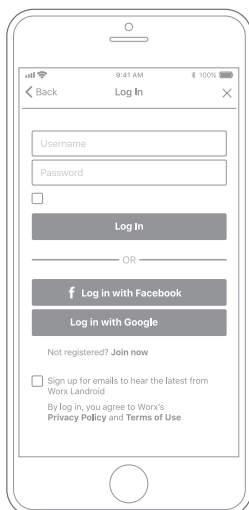
- A. A função Bluetooth em seu smartphone está ativada.
- B. Certifique-se de que seu Landroid está dentro da distância conectável.



COMO LIGAR O LANDROID À INTERNET

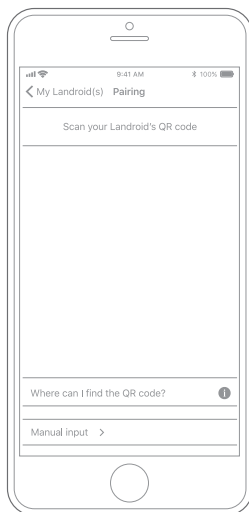
Abra a aplicação e siga estas instruções.

1. Registe a sua conta



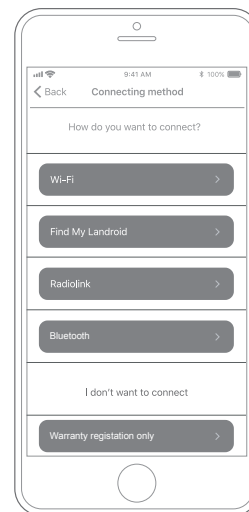
Registe a sua conta ao escrever o seu nome de utilizador e palavra-passe, ou ao iniciar sessão através do Facebook ou Google.

2. Introduza o Número de Série do Landroid



Registe o seu Landroid ao introduzir manualmente o seu Número de Série ou ao ler o código QR.

3. Selecione a sua ligação



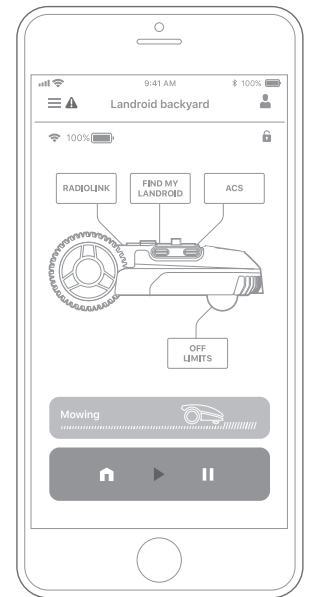
Selecione sua rede Wi-Fi ou Bluetooth, ou você pode conectar o Landroid por meio de Encontrar Meu Landroid ou Opções Radiolink

Caso o seu WiFi não cubra todo o relvado poderá considerar a aquisição da opção RadioLink Landroid, que estende o sinal até um alcance de 300m.

Em alternativa, poderá adquirir a opção Find My Landroid que para além de ligar o Landroid à Internet via o seu cartão SIM integrado, também lhe permite segui-lo caso esteja seja roubado.

APLICAÇÃO LANDROID NÃO É UM MERO CONTROLO REMOTO

Não o considere um controlo remoto. A aplicação é uma parte integral do avançado ecossistema Worx Landroid baseado em cálculos na nuvem e em inteligência artificial. Graças à funcionalidade de realidade aumentada da aplicação, poderá medir a área exata do seu relvado. É tão simples quanto passear ao longo dos seus limites. Vários fatores influenciam a taxa de crescimento de sua grama.. O Landroid combina todos eles para determinar o melhor tratamento para seu gramado. Dia após dia



⚠ FIGYELEM: Olvasson el minden biztonsági figyelmeztetést és valamennyi utasítást. A figyelmeztetések és utasítások figyelmen kívül hatása áramütést, tüzet és/vagy súlyos sérülést eredményezhet.

A készülék biztonságos működtetése érdekében figyelmesen olvassa el az utasításokat.

Őrizzen meg minden figyelmeztetést és utasítást, a jövőben szüksége lehet ezekre.

LANDROID MŰKÖDÉSE

A következő szakaszban szeretnénk segítséget nyújtani ahhoz, hogy jobban megértse a Landroid működését. A Landroid önműködő gép, ami képes magától üzemelni. Tudja, mikor kell visszatérnie a töltőalpra, érzékeli, ha esik az eső, le tudja állítani magát, ha problémát érzékel, és képes megállni, visszakozni és megfordulni, ha beleütközik valamibe, ami akadályozza az útján. A balesetek megelőzése érdekében a Landroid automatikusan leállítja a késtárcsáját, ha felemelik a talajról.

Önmagát tölti



////////////////////////////////////

Amikor a Landroidjának töltésre van szüksége, abbahagyja a fűnyírást, és a határolóhuzal mentén az óramutató járásával ellentétesen haladva visszatér a töltőtalpára. Amint a töltés befejeződik, a Landroid a fűnyírási ütemezésétől függően automatikusan folytatja a fűnyírást vagy a töltőtalpon marad.

Szegély kezelése



////////////////////////////////////

A Landroid úgy programozták, hogy hetenként Hétfőn és Péntekenként a fűvet a gyeperület mentén vágja le. Ha módosítani kívánja ezt az előbeállítást, megteheti okostelefonja segítségével vagy a vezérlőpanel használatával, a „Work time-Customise Work time” (MunkaidőMunkaidő testreszabása) menükben. A részletes utasításokat lásd jelen kézikönyv végén.

Esőérzékelő



////////////////////////////////////

A Landroid 100%-ban időjárásálló és örömmel elvan kint. A nedvesen nyírt fű azonban nem vezet a legjobb eredményre. A Landroid esőérzékelővel van felszerelve, amely érzékeli az esőt és arra készíti a Landroidot, hogy abbahagyja a fűnyírást és visszatérjen a töltőtalpra.

Eső utáni késleltetési idő



////////////////////////////////////

Eső után akkor indul újra a Landroid, ha a fű már nem vizes. Az alapértelmezett eső utáni késleltetési idő 180 perc. Az eső utáni késleltetési idő beállítását a Landroid alkalmazás segítségével.

Szélsőségesebb időjárás esetén



////////////////////////////////////

Villámlással járó vihar esetén védje a Landroidot úgy, hogy kihúzza a töltőtalpat, leválasztja a határolóhuzalt, és gondoskodik arról, hogy a Landroid nem töltődhet. Télen és nagyon hideg időjárás, valamint hó esetén azt ajánljuk, hogy a Landroidot beltérben tárolja. Egyes országokban téli szervizelést kínálunk a Landroidhoz, hogy készen álljon a tavaszi növekedési időszakra. A további részletekről érdeklődjön márkakereskedőjénél vagy online.

Nincs többé összegyűjtendő fűnyesedék



A Landroid napi fűnyírása olyan rövid nyesedékekkel jár, amit nem kell összegereblyézni. Ez a nyesedék tökéletes organikus tápanyagot nyújt a pázsitjának. A gyakori nyírás sűrűbb fűszálakat eredményez és hatékonyan akadályozza a gyomok terjedését.

Vágás egészen a szélig



A speciális eltolható kés a lehető legközelebb kerül pázsitja szegélyéhez, így aztán alig vagy egyáltalán nem lesz szükség szegélynyírásra.

Vágásmagasság



Mielőtt először indítaná be a Landroidját, győződjön meg arról, hogy a fű nem hosszabb 10 cm-esnél. Ha hosszabb, a Landroid működtetése előtt használjon egy hagyományos fűnyírót a levágására. Ha jelentős mértékben rövidebbre akarja venni fűve magasságát, ajánlott fokozatosan, a vágásmagasság lépésenkénti kiigazításával tennie.

Biztonság és PIN-kódos védelem



Megakadályozandó, hogy a Landroidot arra jogosulatlanok használják, a készüléket PIN-kód védi, amit könnyedén beállíthat.

Könnyen tisztítható



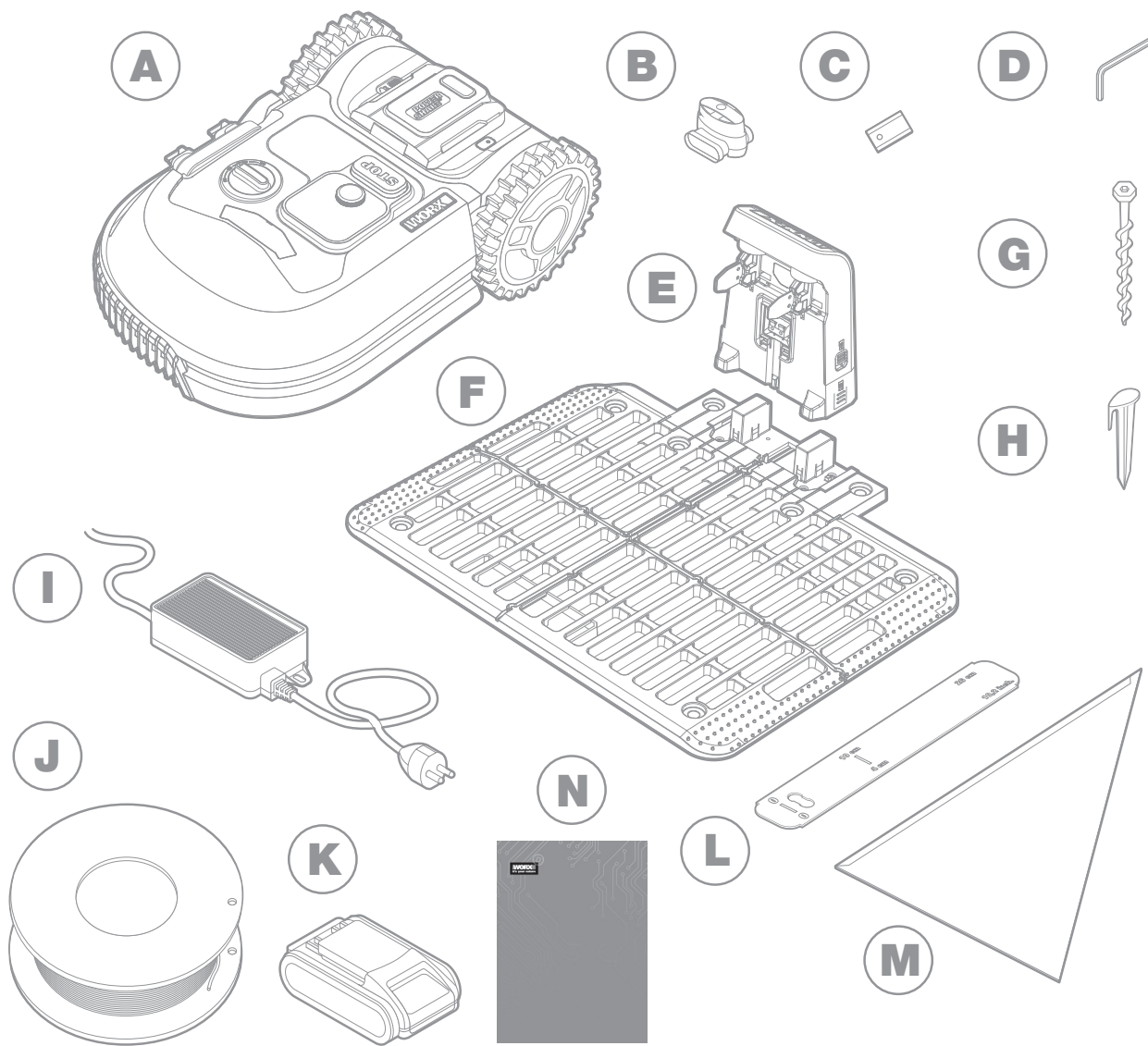
IPX5 vízálló funkciójának köszönhetően a Landroid megszabadul a munka során fellépő portól, gyepektől és zord környezettől. Tegye a Landroid megjelenését és jobb teljesítményét.

Földi nyomkövető



Az új automatikus emelési konstrukcióval a lapátok automatikusan felemelhetők a nagyobb hézag biztosítása érdekében. Ez segít a Landroidnak elkerülni bizonyos helyzeteket, amelyek elzárhatják más fűnyírókat.

A DOBOZ TARTALMA



Az ábra csak tájékoztató jellegű

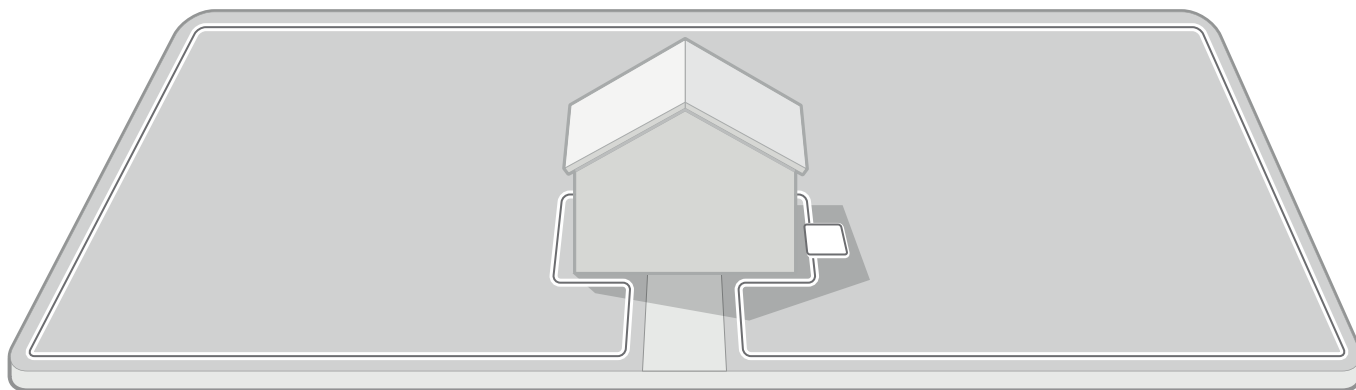
A	Worx Landroid
B	Huzaljavitó csatlakozó
C	Pótkész-készlet
D	Hex. kulcs
E	Töltőhalom
F	Töltőtalp
G	Csavar

H	Huzalrögzítők
I	Tápellátás
J	Határolóhuzal
K	20V akkumulátor
L	Határolóhuzal-távolságmérő
M	Háromszögvonalzó
N	Utasítás

TELEPÍTÉS

A Worx Landroidját egyszerűbb üzembe helyezni, ha gondosan követi ezeket az utasításokat. Végző soron csupán a töltőállomás üzembe helyezésén és a határolóhuzal pázsítja köré fektetésén múlik. Jelen kézikönyvön kívül használhatja a dobozban található Kezdőlépések útmutatót, illetve megnézheti a YouTube csatorna teljes körű videóbemutatóit*.

* Ezek az információk az Ön kényelmét szolgálják, és nem helyettesítik a kézikönyv utasításait és a biztonsági utasításokat, melyeket el kell olvasni és meg kell érteni.



Nézze végig a pázsitját az üzembe helyezés tervezéséhez

Helyezze üzembe a töltőállomást

Helyezze el a határolóhuzalt

Csatlakoztassa a töltőtálcát váltakozó áramra

Kapcsolja be a Landroidot. Tesztelje és készítse fel a fűnyírásra

MINDEN TERVEZÉSRE FORDÍTOTT PERCCEL 10 PERCET NYER A VÉGREHAJTÁS SZORÁN

A Landroid üzembe helyezése még egyszerűbb, ha világos elképzelése van arról, mit kell tennie. A megfelelő tervezéssel ráadásul elejét veszi a hibáknak vagy annak, hogy újra kelljen kezdenie az üzembe helyezést.

1. A felszínen vagy betemetve?

A Landroid határolóhuzalját úgy terveztük meg, hogy pázsítja felszínén maradjon. Már az első napon is alig látható, néhány hét múlva azonban beborítja a talaj. Ha be akarja temetni a huzalt, ajánlott először lerögzíteni és a Landroidot a szegély mentén működtetve tesztelni, hogy sikeres-e az üzembe helyezés. Így egyszerűbben ellenőrizhet mindent, és szükség esetén módosíthatja az elrendezést, még mielőtt betemetné a huzalt. A huzalt csupán néhány centiméterrel a talajszint alá temesse, hogy a huzal megfelelő jelzést biztosítson.

2. Tervezze el a töltőállomás helyét

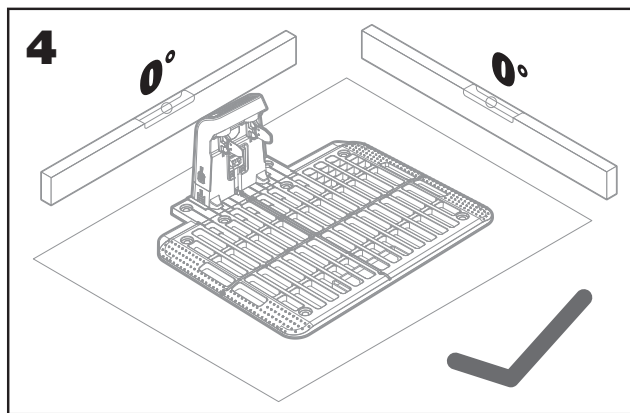
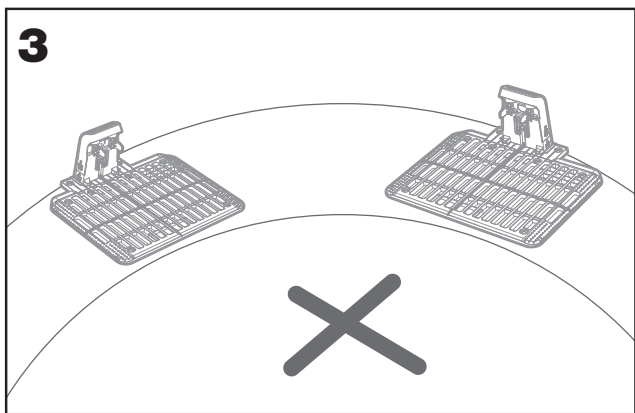
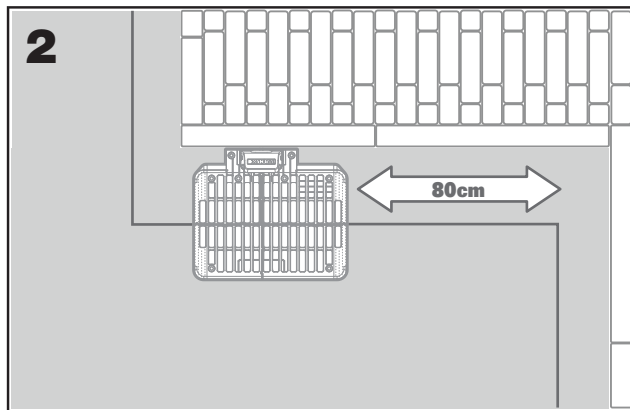
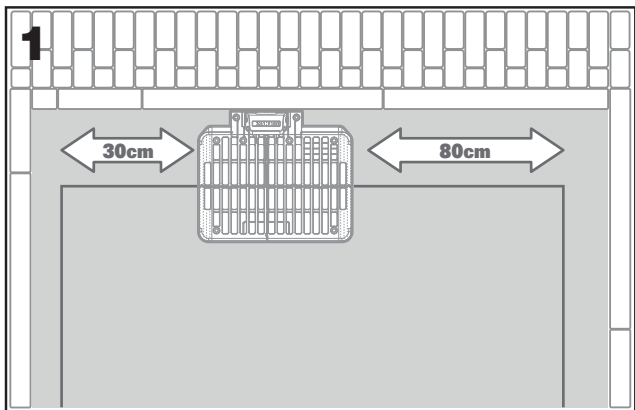
A töltőállomás, amely rakodócölöpből és rakodóalpból áll, az a hely, ahová a Landroidja visszatér, hogy akkumulátorát feltöltse. Egyúttal ez az a parkolóhely, ahol két fűnyírási menet között tartózkodik.

Keressen neki megfelelő helyet, a következőket tartva szem előtt:

- A. Tápellátásra van szüksége, ezért legfeljebb 10 m-re lehet a hálózati aljzattól.
- B. Ha lehet, árnyékos helyet találjon neki, mert az akkumulátorok és a töltők nem szeretik a túlmelegedést.
- C. A talpnak a hatékony dokkolás biztosítása érdekében sík talajon kell elhelyezkednie.
- D. Kerülje az öntözőrendszer locsolófejeinek közelségét.

A töltőállomást helyezheti a pázsitjára vagy kemény felületre, például járdára, amennyiben a pázsit és a kemény felület magassága azonos (nincs szintkülönbség).

A Landroidnak az állomásra való visszatéréshez legalább 80 cm egyenes útra van szüksége az állomás előtt. A kilépési oldalon legalább 30 cm egyenes útra van szüksége, mielőtt balra fordulna (1. ábra). Ha jobbra fordul, nincs szükség egyenes útra (2. ábra).

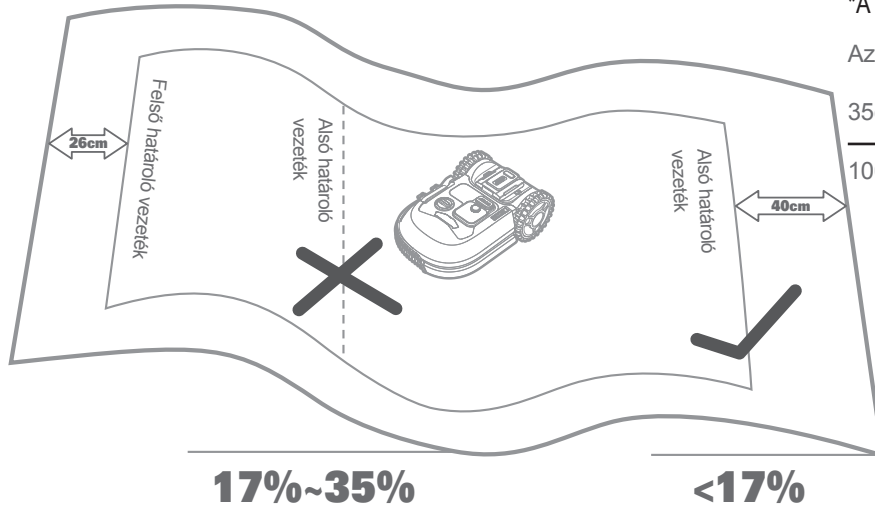


3. Töltőállomás ellenőrző lista:

- A. a váltakozó áramú aljzat közelében van
- B. árnyékban
- C. bejáratánál egyenes út; szükség esetén a kilépésénél is egyenes út
- D. sík talaj
- E. nincsenek a közelben locsolófejek

4. A határoló vezetékek lejtőn való elhelyezése

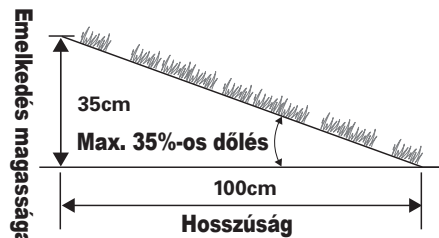
A felső határoló vezeték NEM LEHET 35%-nál (20°-nál)* meredekebb lejtőn elhelyezve. Az alsó határoló vezeték NEM LEHET 17%-nál (10°-nál) meredekebb lejtőn elhelyezve. Amennyiben 17%-os lejtőn van elhelyezve, akkor bármilyen akadálytól legalább 40 cm-re kell lerakni.



*A pázsit dőlésszögének a kiszámítása?

Az emelkedő dőlésszöge:

$$\frac{35\text{cm (Emelkedés magassága)}}{100\text{cm (Hosszúság)}} = 35\% \text{ (Dőlésszög)}$$



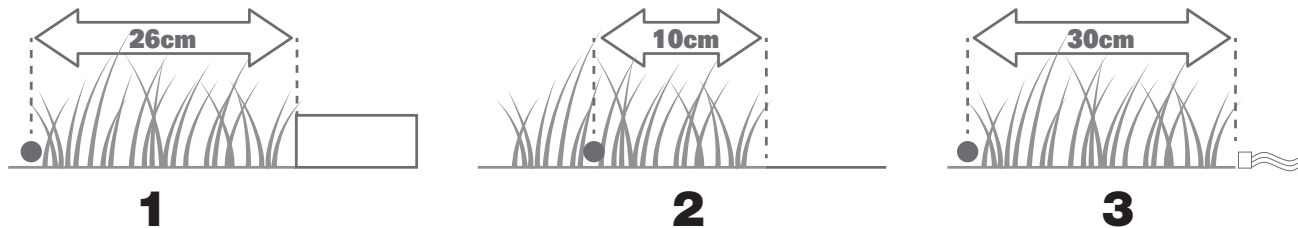
17%~35%

<17%

5. Tervezze el a határolóhuzal helyét

A huzalt a pázsit szélétől egy bizonyos távolságra kell elhelyezni. Ez a távolság attól függően változik, hogy mi van a pázsit szélének másik oldalán. Pázsítja különböző részein különféle szegélyváltozatok fordulhatnak elő:

- A. Ha a pázsit széle lépcsőt határol: a huzalt a széltől 26 cm-re vezesse. (ábra 1)
- B. Ha a pázsit széle azonos magasságban lévő utat határol: a huzalt a széltől 10 cm-re vezesse. (ábra 2)
- C. Amennyiben a gyepes terület medence mellett található, akkor a határoló vezetékét 30 cm-re kell a medencétől elhelyezni. (3. ábra)



Amennyiben a gyepes terület valamelyik oldala olyan gyepes terület mellett található, ahol a szomszéd is robot fűnyíróval nyírja a fűvet, akkor a határoló vezetékét legalább 1 m távolságra tegye a szomszéd határoló vezetékétől (a kölcsönös zavarások kizárása érdekében).

NÉZZE VÉGIG A PÁZSITJÁT

A Landroidot úgy terveztük, hogy a legbonyolultabb pázsitokat is kezelje. Szemrevételezze a pázsitját, hogy felkészüljön a határolóhuzal problémamentes üzembe helyezésére.

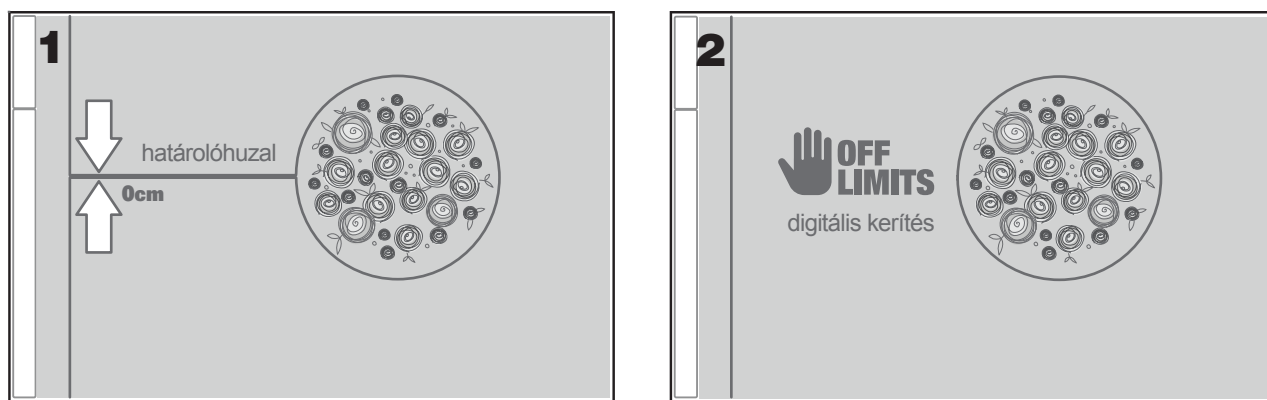
1. Jelölje ki a tiltott területeket

Amennyiben nem szeretné, hogy a fűnyíró a virágokat is lenyírja, vízbe másszon vagy összekaszabolja a talajból kiálló gyökereket. Keresse meg ezeket a területeket, és vegye őket körbe határolóhuzallal, hogy a Landroid bejutásának elejét vegye.

A határolóhuzal egyszeres hurok, amely mindkét végén a töltőállomásra csatlakozik, ezért a huzalt a szélétől kell indítania, körbe kell vennie a védeni kívánt területet, majd vissza kell vezetnie a huzalt a szélére, az 1. ábrán bemutatott módon.

Ha a körbevenni kívánt területek távol esnek a pázsitja szélétől vagy több olyan terület, illetve gyökér is van, amelyet védeni kíván, akkor ez a hagyományos módszer igencsak időrabló.

Ilyenkor remek alternatíva, hogy megvásárolja a Landroid Off-Limits opcióját. Ennek segítségével egyszerűen körbeveszi a tiltott területeket az Off-Limits digitális kerítéssel, melyet nem kell csatlakoztatnia a határolóhurokhoz (2. ábra). Az Off-Limits digitális kerítés az időszakos berendezések (pl. egy trambulín) megóvására is remek, illetve arra, hogy megóvja pázsitja elrendezésének legújabb módosításait a határolóhuzal újrafektetése nélkül.



2. Jelölje ki az akadályokat

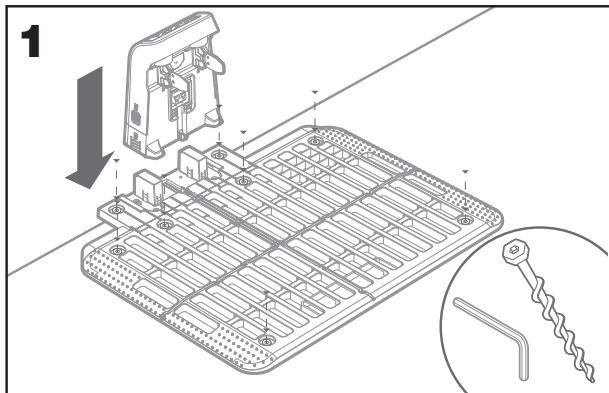
A Landroid ütközésérzékelője képes kezelni az olyan szilárd akadályokat, mint a fák, a bútorok és hasonlók, így ezeket nem kell huzallal körbevenni. Ha pázsitjában több akadály és fa is egymáshoz közel helyezkedik el, ajánljuk, hogy vásárolja meg a Landroid ACS opcióját, ezt az intelligens ultrahangos robotpilótát, amely Landroidját a beleütközés helyett elkormányozza az akadályok körül.

MOST PEDIG KÖSSÉ FEL A NADRÁGJÁT. HA KÉSZEN ÁLL, AKKOR KÉSZ!

Most, hogy az üzembe helyezés minden részletét eltervezte, készen áll, hogy munkához lásson. Mielőtt belekezd, esetleg használhatja régi fűnyíróját még egyszer utoljára, hogy rendbe szedje a pázsitját és megkönnyítse az üzembe helyezést.

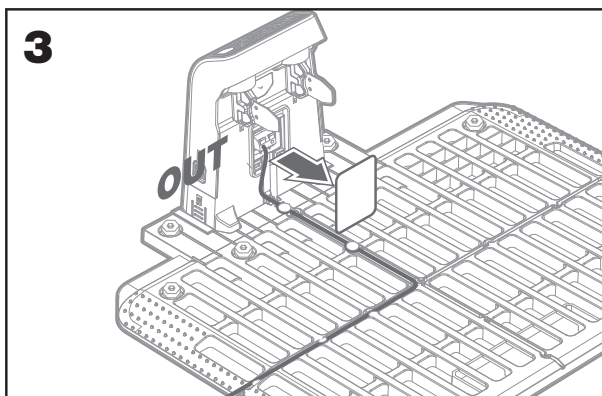
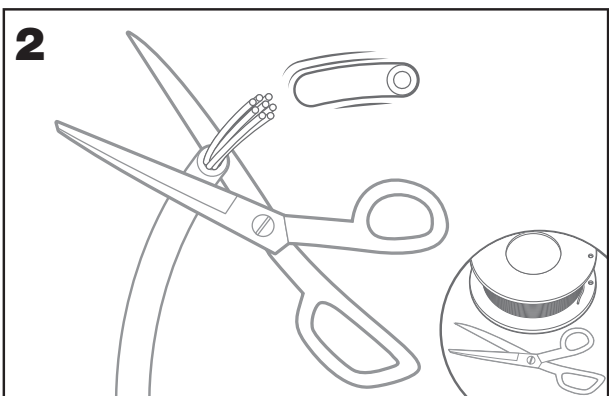
1. Rögzítse a töltőállomást a kiválasztott helyre

- A. Helyezze a töltőkupacot a töltőalapba. Ezután a mellékelt hatszögű csavarkulccsal rögzítse a töltőállomást a földre a mellékelt csavarokkal (1. ábra)
- B. Ha a talpat kemény felületre helyezi, dübelből és csavarból álló szerelvényekkel rögzítse (a csomag nem tartalmazza).



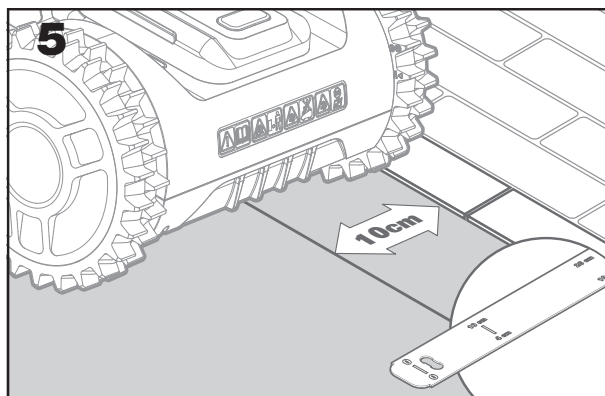
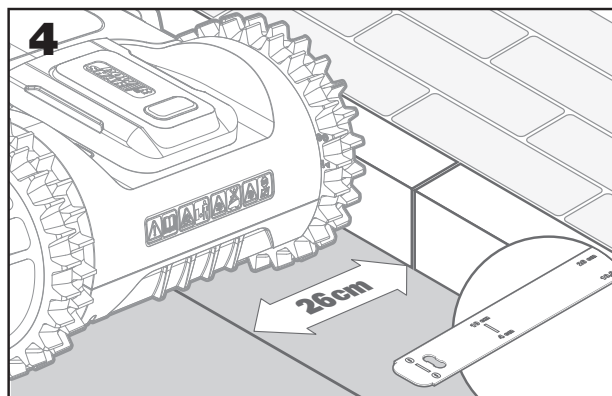
2. Csatlakoztassa a határolóhuzal egyik végét a töltőállomásra.

- A. Ollóval csupaszítsa le a huzal végét (2. ábra).
- B. Nyissa ki a műanyag ajtót, és helyezze be a lecsupaszított huzalvéget a bal oldali piros szorítóba (3. ábra).
- C. Húzza át a huzalt a talp vezetőjén, a 3. ábrán látható módon.



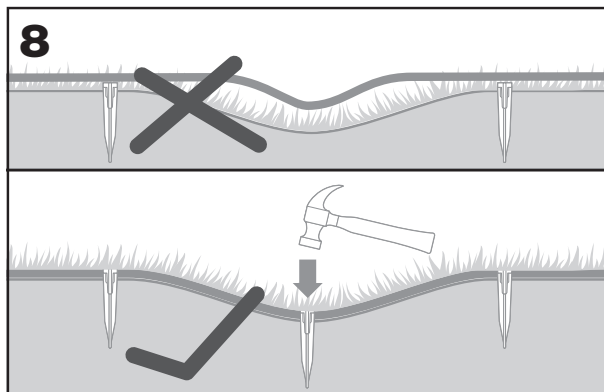
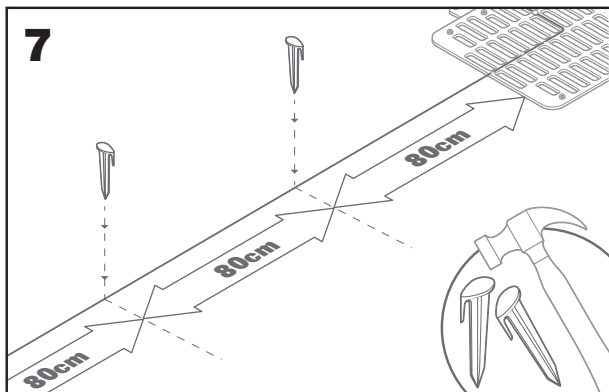
3. Helyezze el a határolóhuzalt a pázsitja körül.

- A. Használja a mellékelt mérőeszközt a huzal széltől való távolságának beállításához.
- B. Ha pázsitja szélén lépcső van, a huzalt vezesse tőle 26 cm-es távolságban (4. ábra).
- C. Ha nincs lépcső, a huzalt a széltől 10 cm-re vezesse (5. ábra).
- D. Győződjön meg arról, hogy a határvonal minden sarkon teljesen egyenes, és a határvonal szöge meghaladja a 90°.



4. A rögzítők segítségével rögzítse a huzalt a talajhoz.

- A. A rögzítőket egymástól körülbelül 80 cm-re helyezze el (7. ábra).
- B. Ügyeljen arra, hogy a huzal mindig szorosan a talajra simuljon (8. ábra).

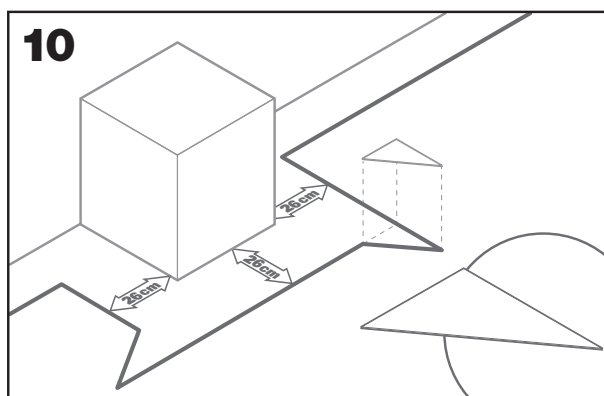
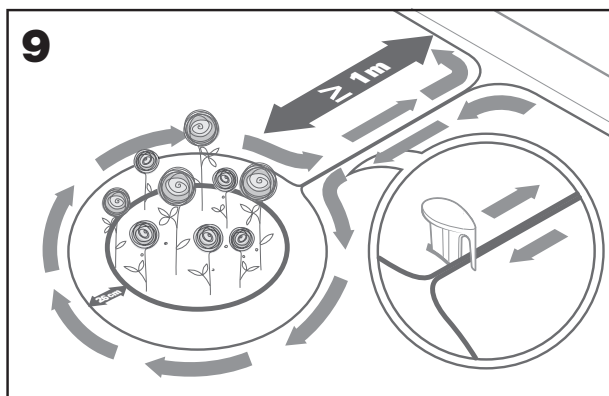


5. Szükség esetén alakítson ki elkerített szigeteket

- A. Védje a virágágyásokat, tavakat, gyökereket és más területeket úgy, hogy körbeveszi őket határolóhuzallal.
- B. A szétlől derékszögben ágazzon el a védendő terület eléréséhez.
- C. Vegye körbe a területet a huzallal, 26 cm-es távolságot tartva, amíg a szigetet körbe nem zárja.
- D. A huzalt mindig az óramutató járásával megegyezően helyezze el. Ha nem így jár el, a fűnyíró beleszalad a szigetbe.
- E. Ugyanazon az úton térjen vissza a pázsit széléhez.

6. Háromszögvonalzós módszer: hogyan hozzon létre tökéletes 90°-os szögeket a pázsit felé néző sarkokkal.

Ha vannak olyan 90°-os sarkok, amelyek a pázsitja belseje felé néznek, használja a háromszögvonalzót, hogy segítse a Landroid tökéletes fordulását (és kiiktassa azt a kockázatot, hogy a Landroid akadályba ütközik a pázsit szegélyét a manőver közben).

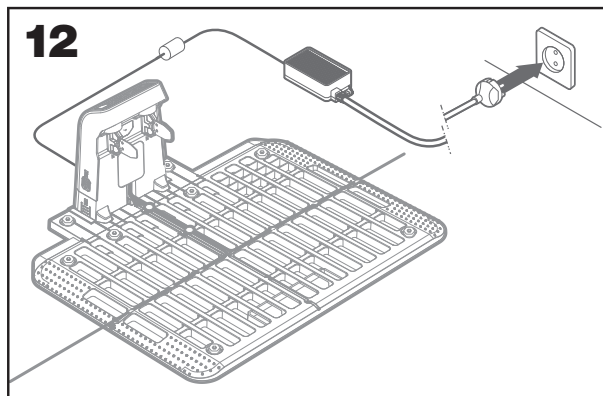
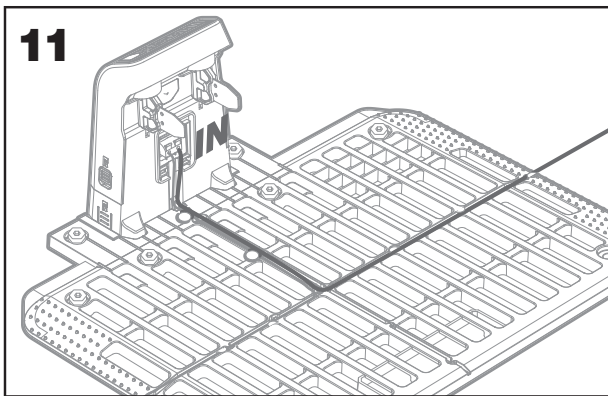


7. Zárja le a hurkot

- Amint végigvezette a huzalt a pázsitja szélén, visszaérkezik a töltőtálphoz.
- A. Vezesse át a huzalt a talpban lévő vezetőn, fel egészen a szorítóig (11. ábra).
- B. Vágja le a huzal túlnyúló részét, majd ollóval csupaszítsa le a végét.
- C. Dugja be a lecsupaszított huzalvéget a jobb oldali fekete szorítóba.

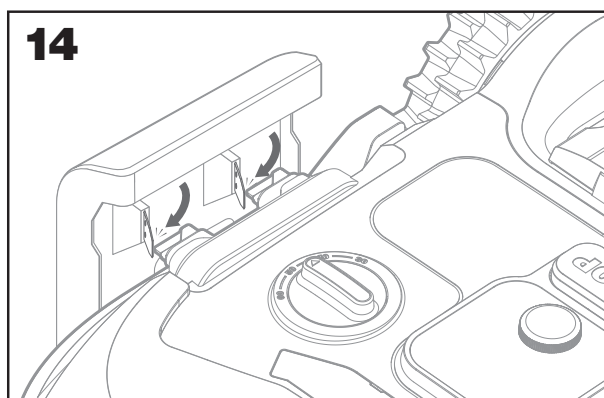
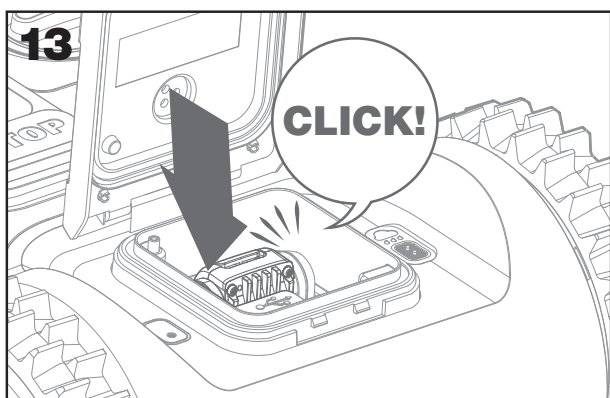
8. Záró lépések

- Vége a munka unalmas részének! Már csak pár lépés van hátra:
- A. Csatlakoztassa a töltőállomást a váltakozó áramú hálózati aljzatba (12. ábra).
- B. Ha minden rendben, a LED zöld színnel fog világítani.
- C. Ha a hurokkal gond van, például megtört a huzal vagy a huzalvégek nincsenek megfelelően beszorítva, a LED piros színre vált. Ellenőrizze, hogy minden rendben van-e, és ha a probléma továbbra is fennáll, nézze meg a GyIK szakaszt.



D. Nyissa fel a Landroid hátulját, és kattanásig dugja be a PowerShare akkumulátort a nyílásba (13. ábra).

E. A Landroid fűnyírót úgy tegye a töltőegységbe, hogy az érintkezők tökéletesen érintkezzenek (14. ábra). Töltés közben a LED zöld színnel villog, az akkumulátor feltöltése után a LED dióda folyamatosan világít.



F. Hagyja, hogy a Landroid egy darabig töltsse az akkumulátort. Amíg töltődik, esetleg tartsa meg jól megérdemelt szünetét: ismerkedjen meg a további utasításokkal, és csatlakoztassa a Landroidot a wifi-hálózatra.

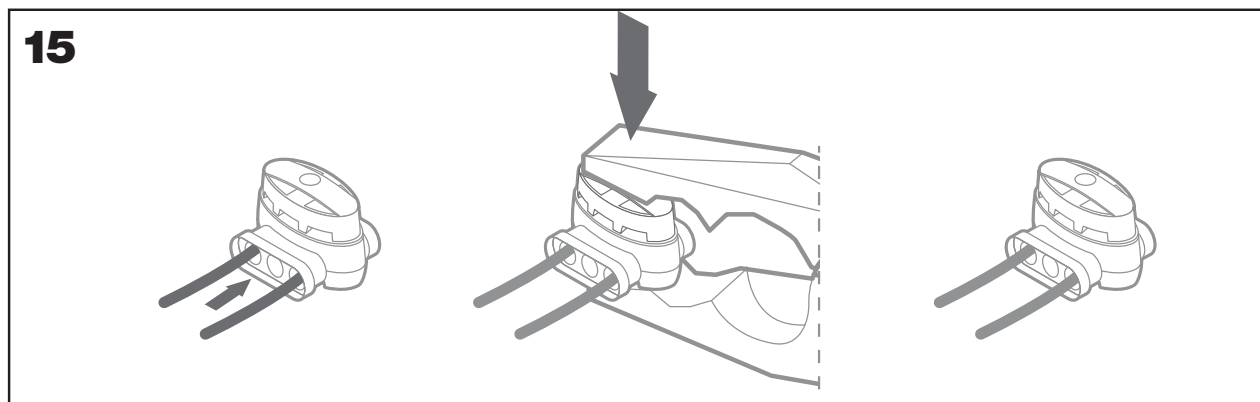
9. A határolóhuzal összekapcsolása

A Landroid dobozában található két kisebb, vízálló határolóhuzal-csatlakozó. Ezeket a következőkre lehet használni:

- A. Ha pázsitjának kerülete nagyon nagy és az üzembe helyezés befejezéséhez további határolóhuzalra van szüksége. Kérjük, a 300 métert ne lépje túl a határolóhuzallal: ez a határolóhuzal kerületének maximális hossza.
- B. Ha véletlenül elvágja a határolóhuzalt, és meg kell javítania.
- C. Ha úgy dönt a jövőben, hogy átalakítja a kertjét, és módosítania kell a határolóhuzal eredeti üzembe helyezésén.

A csatlakozók vízállóak, és optimális elektromos csatlakozást biztosítanak(15. ábra).

- A. Dugja be a huzal mindkét végét a csatlakozó három nyílása közül kettőbe; nem kell a huzalokat lecsupaszítani.
- B. Dugja be a huzalokat teljesen, amíg mindkét huzalvég láthatóvá nem válik a csatlakozó másik oldalán.
- C. Egy fogó segítségével szorosan nyomja össze a csatlakozót.



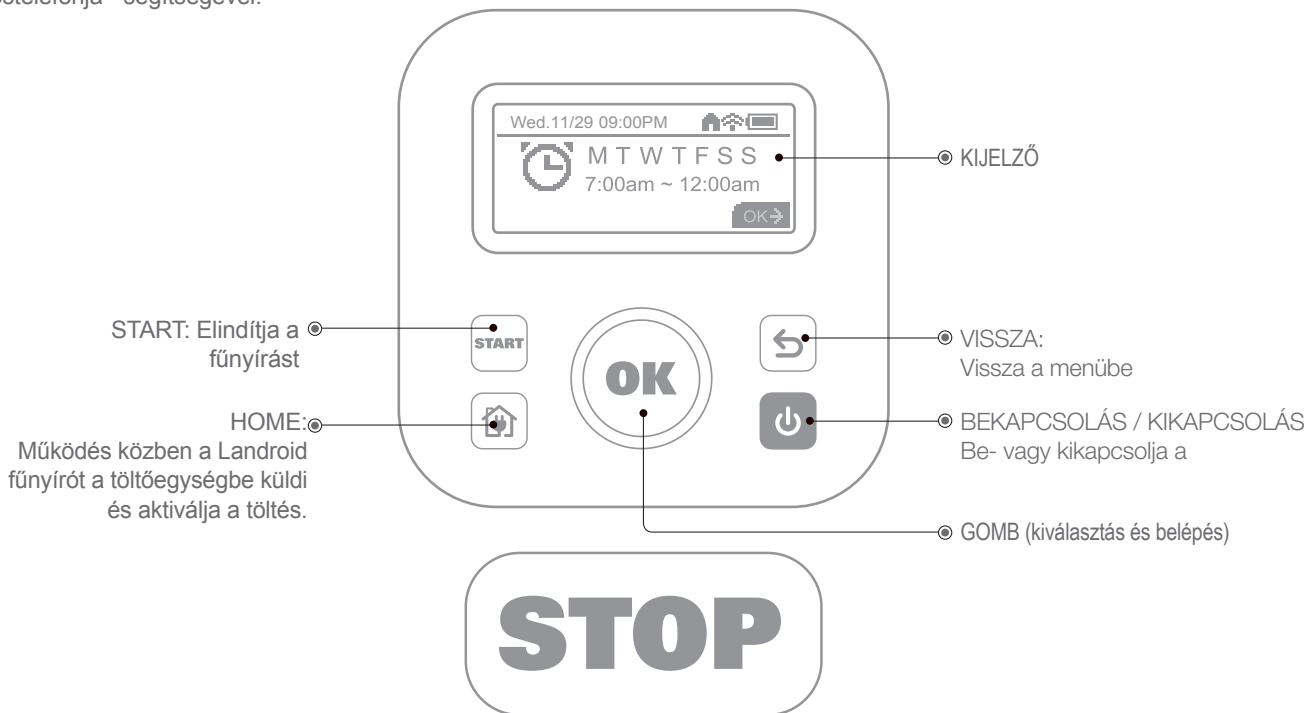
⚠ Figyelem: nem ajánlott egyszerűen szigetelőszalaggal összetoldani a határolóhuzalt vagy a csatlakoztatásra csavaros sorozatkapcsot használni. Egy idő után megszakadhat az áramkör, mivel a talajnedvesség oxidálja a huzalt.

MOST JÖN AZ IZGALMAS RÉSZE! ÉLETÉBEN ELŐSZÖR INDÍTSA BE A LANDROIDOT.

Ismerkedjen meg a vezérlőpanellel

A Landroid vezérlőpanelje minimalista stílusban biztosítja a legfőbb funkciókat.

A további funkciókhoz az ingyenes Landroid alkalmazás nyújt további lehetőségeket egy gazdagabb interfész - az okostelefonja - segítségével.



A Landroid beindítása

- Helyezze a Landroidot a határolóhuzalon belülré.
- Nyomja meg a **BEKAPCSOLÁS** gombot, amíg be nem kapcsol a képernyő. Ezután adja meg a PIN-kódot
- Az óramutató járásával megegyező irányban forgassa el a **OK**-as számot a szám kiválasztásához, és röviden nyomja meg a **OK**-at, hogy egyenként erősítse meg. A képernyőn megjelenik a „PIN code OK” (PIN-kod rendben) felirat.
- Nyomja meg a **START** gombot, majd nyomja meg az **OK** gombot. A Landroid elkezd fűvet nyírni.
- Bármikor leállíthatja a Landroidot a **STOP** gomb lenyomásával.
- A Landroid töltőállomásra küldéséhez nyomja meg a **HOME** gombot, majd nyomja meg az **OK** gombot.

Megjegyzés: Az alapértelmezett PIN kód 0000

A LANDROID VEZÉRLŐPANELJE

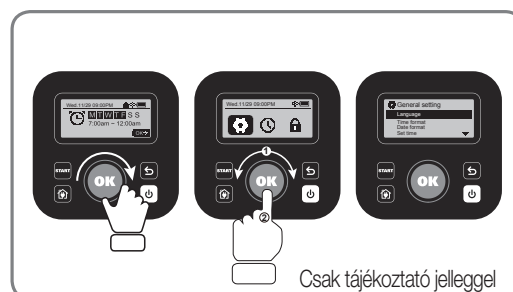
A beépített interfészen keresztül elérhető haladó funkciók

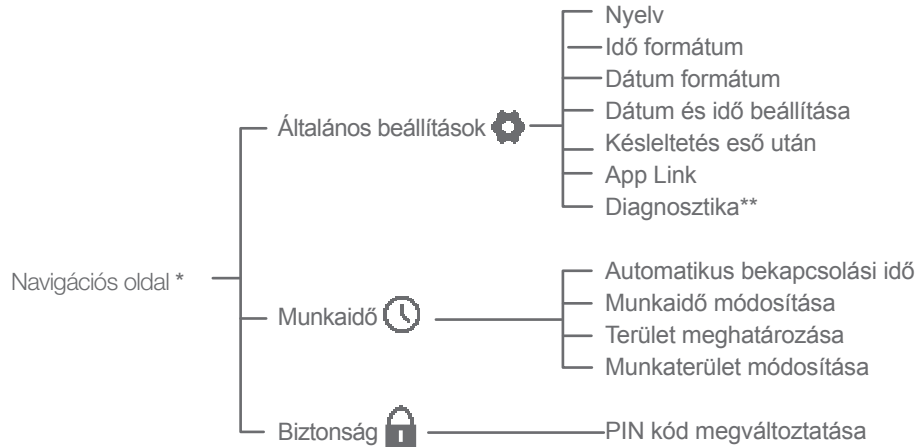
Minimalista kivitele ellenére számos haladó funkciót is beállíthat a beépített vezérlőpanelen keresztül.

A legjobb felhasználói élmény érdekében azonban azt ajánljuk, hogy erre a célra használja az ingyenes Landroid alkalmazást, ami gazdagabb, könnyen kezelhető interfésszel rendelkezik.

1. Beállít

- Forgassa az óramutató járásával megegyező irányba **OK** a beállítás megadásához
- Ezután forgassa el a **OK** gombot az "Általános beállítások" **OK** / "Munkaidő" **OK** / "Biztonság kiválasztásához" **OK**, rövid megnyomásával lépjen be.
- Használja ugyanazt a módszert a nyomon követési intézkedések meghozatalához.





* Folyamatosan frissítsen a szoftver verziójának megfelelően.

** Csak vevőszolgálathoz

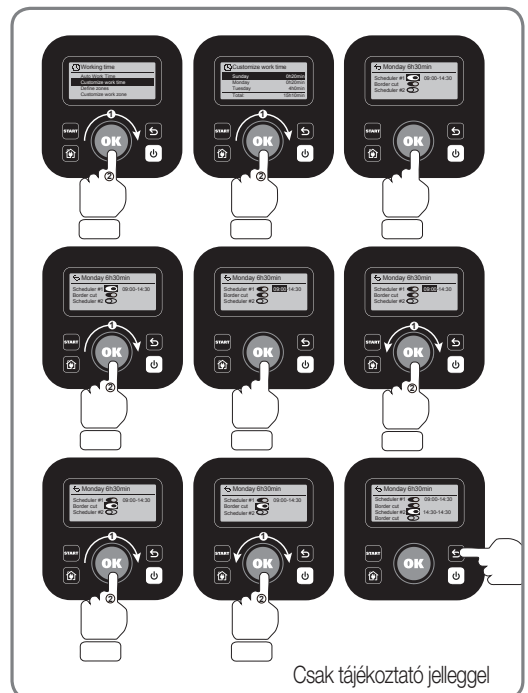
2. Dátum beállítása & Idő

- A. Vissza az “Általános beállítások”
- B. Forgatás az óramutató járásával megegyező irányba **OK** “Dátum beállítása & Idő”, majd a belépéshez nyomja meg röviden.
- C. Ezután forgassa az óramutató járásával megegyező irányba Válassza a “Day” lehetőséget, majd **OK** Rövid sajtó. A kiválasztott szám villogni fog.
- D. Következő , Forgatás **OK** a szám kiválasztásához és a megerősítéshez nyomja meg röviden. Használja ugyanazt a módszert a “Hónap / Év / Idő” kitöltéséhez.



3.Egyedi munkaidő

- A. Vissza a “munkaidőhöz”
- B. Forgatás az óramutató járásával megegyező irányba **OK** Lépjen az “Egyéni munkaidő” részhez, majd a belépéshez nyomja meg röviden.
- C. Forgatás az óramutató járásával megegyező irányba **OK** Válassza ki a hét napját, majd nyomja meg röviden.
- D. Ezután nyomja meg a **OK** gombot a beállítások megadásához.
- E. Forgatás az óramutató járásával megegyező irányba **OK** az “ Ütemterv #1 *” aktiválásához. Röviden nyomja meg a **OK** gombot a megerősítéshez.
- F. Következő, forgás az óramutató járásával megegyező irányba **OK** Válassza ki a kezdési időt “óra / perc”, majd nyomja meg röviden a beállítás megadásához. A kiválasztott szám villogni fog.
- G. Forgatással **OK** válassza ki azt a kezdési időpontot, amelyet a LANDROID egy adott dátumra akar vágni, majd a megerősítéshez nyomja meg röviden. Ugyanazon módszerrel töltse le a leállítási időt.
- H. Ezt követően forgás az óramutató járásával megegyező irányba **OK** és rövid megnyomásával lépjen be a “keretvágás” beállításba.
- I. Forgatás **OK**, hogy kiválassza, aktiválja-e a “Border Cut” funkciót, majd a megerősítéshez nyomja meg röviden.
- J. Ha be szeretné állítani a “Ütemterv #2 *”, kérjük, használja a fentiekkel megegyező módszert.
- K. Nyomja meg a **OK** gombot, és ugyanezzel a módszerrel állítsa be a többi munkanap munkaidejét.



* Két menetrend állítható be egy nap alatt.

4. Munkaidő-kiigazítás

Gyorsan beállíthatja a hét munkaidejét. Az idő növekedését / csökkenését egyenletesen hozzárendelik a szükséges munkanapokhoz

- A. Rérjen vissza a főképernyőre.
- B. Forgatás az óramutató járásával ellentétes irányba **OK** A munkaidő-beállítás aktiválásához.

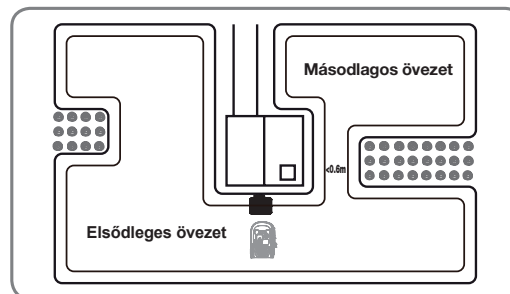
JEGYZET: A teljes idő az egyedi munkaidőn alapul, és 10% -os gradiensben állítható.

- C. Ezután forgassa el a **OK** gombot a beállításhoz, és rövid megnyomásával erősítse meg.



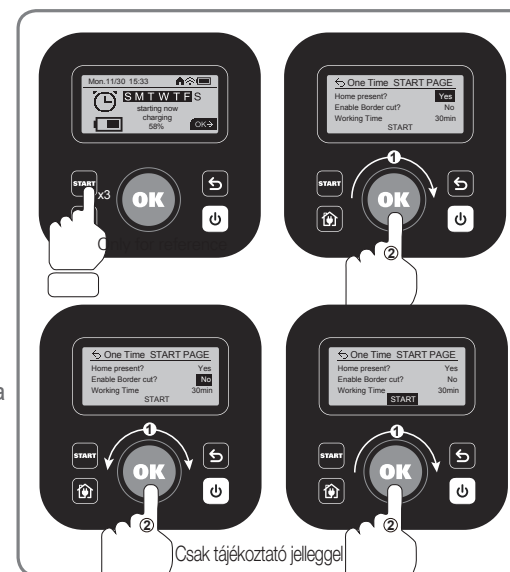
5. Egyetlen vágás beállítása

Ha a gyepének több folyosóval összekapcsolt területe van, akkor a szélességének legalább 0.6 m -nek kell lennie. Ha a folyosó keskenyebb, mint 0.6 m , a Landroid nehezen mozog közöttük. Ebben az esetben ajánlott elsődleges és másodlagos területeket kialakítani a gyepen. A határvonalat az ábra szerint kell elhelyezni. Rugalmas munkabeállításokhoz (hogyan visszatérjen-e a töltőállomáshoz és kivágja-e a keretet), különösen akkor, ha a Landroid töltőállomás nélküli kiegészítő területen található, Az idők csökkentek.



- Helyezze a Landroid a határvonalba.
- Ha Landroid csatlakozik a töltőállomáshoz .
- A. Rérjen vissza a főképernyőre.
- B. Nyomja meg gyorsan a **START** gombot háromszor.
- C. Forgatás az óramutató járásával megegyező irányba **OK** Kiválasztás "Házi ajándék?" - IGEN / NEM " (függetlenül attól, hogy töltőállomás függetlenül attól, hogy ezen a területen van-e), majd rövid megnyomásával lépjen be a beállításba. A kiválasztott szó villogni fog, majd a megerősítéshez nyomja meg röviden.
- D. Ezután forgassa el a **OK** elemet. Válassza a "Határvágás engedélyezése igen / nem engedélyt" (a határvágás elvégzéséhez), majd röviden nyomja meg. A kiválasztott szó villogni fog, majd a megerősítéshez nyomja meg röviden. Ezután ugyanezzel a módszerrel töltsse ki a "munkaidőt".
- E. Ezután fordítsa el az óramutató járásával megegyező irányba **OK** Válassza a "Start" lehetőséget, majd rövid megnyomásával indítsa el a vágást

Figyelem : A Landroid visszatér töltőállomásra Az akkumulátor töltése Elfogyott vagy a vágási idő lejárt. Ha a Landroid teljesen fel van töltve, és a beállított idő még nem telt el, akkor a Landroid az idő végéig folytatja a kaszálást.



- Amikor a Landroid készülékét leválasztják a töltőállomásról ,
- A. Rérjen vissza a főképernyőre.
- B. Gyorsan nyomja meg a **START** gombot háromszor.
- C. Forgatás **OK** Válassza a "Házi ajándék?" - IGEN / NEM " lehetőséget (Töltőállomás Akár ezen a területen van) és rövid megnyomásával Adja meg a beállításokat . A kiválasztott szó villogni fog, majd a megerősítéshez nyomja meg röviden. Ugyanezzel a módszerrel töltsse ki a "munkaidőt".
- D. Ezután forgassa az óramutató járásával megegyező irányba **OK** Válassza a "Start" lehetőséget, majd rövid megnyomásával indítsa el a vágást

Megjegyzés: Ha Landroid a fő területen helyezkedik el (általában a töltőállomáson található), akkor visszatér töltőállomás töltésre szolgál, ha az akkumulátor lemerült vagy a vágási idő lejárt. Ha a Landroid teljesen fel van töltve, és a beállított idő még nem telt el, akkor a Landroid az idő végéig folytatja a kaszálást. Amikor a Landroid a másodlagos területen tartózkodik, abbahagyja a kaszálást és ott marad, ahol van, amikor az akkumulátor lemerült, eljött a vágási idő, a Landroid néhány problémával találkozhat (például összeomlik és másokkal), vagy manuálisan nyomja meg a "STOP" gombot .



A LANDROID CSATLAKOZTATÁSA AZ INTERNETRE

Miért csatlakoztassa a Landroidot

A Landroid csatlakoztatható Wi-Fi vagy Bluetooth kapcsolaton keresztül.

A Landroid IoT (Internet of Things - a dolgok internetje) technológiát használó eszköz. Ahhoz, hogy Landroidja minden funkcióját használhassa és mindig a legutóbbi szoftverre frissítse, wifi-hálózatán keresztül vagy

MIELŐTT ELINDÍTANÁ

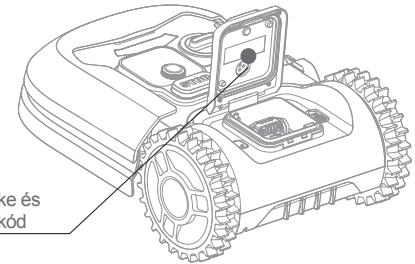
1. Töltse le az alkalmazást

Először töltsse le az ingyenes Landroid alkalmazást. Szerezze meg az Android, illetve az Apple alkalmazásáruházból



2. Legyen keze ügyében:

- A. Wifi-hálózata jelszava /Bluetooth funkció okostelefonon
 - B. A Landroid sorozatszám: a gép hátsó fedele alatti címkén találja meg.
- Ha nem akarja begépelni a 20 számjegyű sorozatszámot, vigye be úgy, hogy okostelefonja kamerájával beolvassa a QR-kódot.



Címke és QR-kód

3. Ellenőrizze a beállításokat

Wi-Fi kapcsolat

- A. A Landroid 2,4 GHz-es wifi-jellel működik.
- B. Ügyeljen arra, hogy Landroidja ugyanarra a router-környezetre csatlakozzon, mint az okostelefonja.
- C. Ügyeljen arra, hogy a Landroid, az okostelefonja és a routere közötti távolság a csatlakozáskor a lehető legkisebb legyen.

Tipp: Ha a Landroid pázsitjának olyan területére megy, ahol gyenge vagy hiányzik a wifi-jel, az alkalmazásból küldött utasítások végrehajtására csak akkor kerül sor, amikor a Landroid visszatér a jó jelminőséggel rendelkező területre.

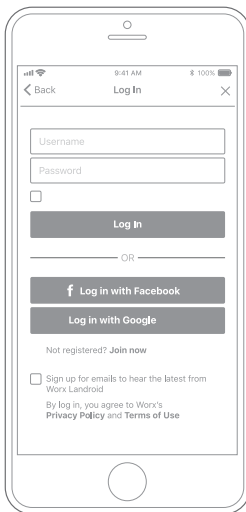
Bluetooth kapcsolat

- A. Az okostelefon Bluetooth funkciója be van kapcsolva.
- B. Győződjön meg arról, hogy a Landroid a csatlakoztatható távolságon belül van.

HOGYAN CSATLAKOZTASSA A LANDROIDOT AZ INTERNETRE

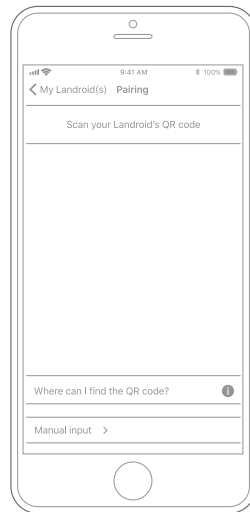
Indítsa el az alkalmazást, és kövesse ezeket az utasításokat.

1. Regisztrálja a fiókját



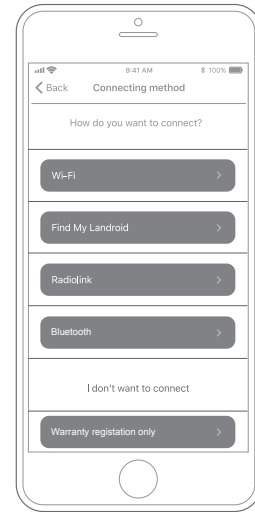
Regisztrálja a fiókját felhasználóneve és jelszava begépelésével, vagy jelentkezzen be a Facebook vagy a Google segítségével.

2. Vigye be a Landroid sorozatszámát



Regisztrálja a Landroidját a sorozatszám manuális bevitelével vagy a QR-kód beolvasásával.

3. Válassza ki a csatlakozását



Válassza ki a Wi-Fi hálózatot vagy a Bluetooth-ot, vagy csatlakozhat a Landroidhoz a Landroid vagy a Radiolink opció keresésével.

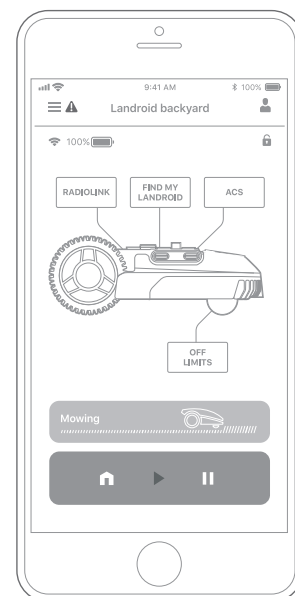
Ha wifije nem fedi le a teljes pázsitot, fontolóra veheti a Landroid RadioLink opció megvásárlását, amely a jelet 300m-es távolságra terjeszti ki.

Alternatív megoldásként megvásárolhatja a Find My Landroid (Saját Landroid megkeresése) opciót, amely amellyel, hogy beépített SIM-kártyájával csatlakoztatja a Landroidot az internetre, lehetővé teszi annak nyomon követését is abban a sajnálatos esetben, ha ellopják.

LANDROID ALKALMAZÁS NEM PUSZTA TÁVIRÁNYÍTÓ

Ne távirányítóként gondoljon rá. Ez az alkalmazás a Worx Landroid fejlett ökoszisztémájának elválaszthatatlan része, mely számítási felhőn és mesterséges intelligencián alapul.

Az alkalmazás kiterjesztett valóság funkciójának köszönhetően megmérheti pázsitjának pontos területét. Azzal a könnyedséggel, ahogy végigsétál a szélén. Számos tényező befolyásolja a fű növekedési sebességét. A Landroid ötvözi őket a gyeplégy jobb kezelésének meghatározásához. Nap nap után



⚠️ AVERTISMENT: Citiți toate avertismentele de siguranță și toate instrucțiunile. În caz de nerespectare a avertismentelor și instrucțiunilor, există riscul electrocutării, izbucnirii incendiilor și/sau al accidentării grave.
Citiți cu atenție instrucțiunile pentru utilizarea în siguranță a mașinii.
Păstrați toate avertismentele și instrucțiunile pentru consultări ulterioare.

CUM FUNCȚIONEAZĂ LANDROID

În secțiunea următoare, dorim să vă ajutăm să înțelegeți mai bine cum funcționează Landroid.
 Landroid este un echipament autonom, capabil să opereze independent. Robotul știe când trebuie să se deplaseze la platforma de încărcare, detectează ploaia cu ajutorul senzorilor, se poate opri dacă identifică o problemă și știe să se oprească, să meargă înapoi și să se întoarcă atunci când se lovește de un obstacol aflat în calea sa. Pentru a preveni un accident, Landroid va opri automat rotirea discului cu lame dacă robotul detectează că este ridicat de pe sol.

Funcție de autoîncărcare



Atunci când robotul dumneavoastră Landroid trebuie să se reîncarce, acesta se va opri din deplasare și va urma cablul perimetral în sens antiorar înapoi spre platforma de încărcare. După finalizarea încărcării, Landroid va reveni automat la tunderea gazonului sau va rămâne pe platforma de încărcare, în funcție de programul de tundere a gazonului.

Gestionarea marginilor



Landroid este programat să tunde iarba de-a lungul perimetrului gazonului de două ori pe săptămână în zilele de Luni și Vineri. Dacă doriți să schimbați această setare implicită, o puteți modifica folosind smartphone-ul dumneavoastră sau panoul de comandă din meniurile „Work time-Customise Work time”. A se vede instrucțiunile detaliate de la sfârșitul acestui manual.

Senzor de ploaie



Landroid este 100% rezistent la intemperii. Însă tunderea unui gazon ud nu vă oferă cele mai bune rezultate. Landroid este echipat cu un senzor de ploaie care detectează ploaia și îi transmite robotului Landroid să se oprească din tunderea gazonului și să revină la platforma sa de încărcare.

Durata de temporizare după ploaie



După o ploaie, Landroid reîncepe tunderea ierbii atunci când iarba nu mai este udă. Durata implicită de temporizare după ploaie este de 180 de minute. Puteți modifica durata de temporizare după ploaie folosind aplicația Landroid.

În cazul fenomenelor meteorologice extreme



În cazul unei furtuni cu trăsnete, protejați robotul Landroid prin deconectarea platformei de încărcare, deconectarea cablului perimetral și asigurându-vă că Landroid nu poate fi încărcat. În timpul iernii și mai ales în cazul temperaturilor foarte scăzute și în cazul zăpezii, vă recomandăm să depozitați Landroid în interior. În unele țări, oferim operațiuni de service de iarnă pentru robotul dumneavoastră Landroid pentru a vă asigura că este pregătit pentru sezonul de primăvară. Contactați dealerul dumneavoastră sau verificați online pentru mai multe detalii.

Nu mai trebuie să colectați resturi de iarbă



Tunderea zilnică efectuată de către Landroid produce resturi foarte scurte care nu trebuie greblate. Aceste resturi sunt un nutrient organic perfect pentru gazonul dumneavoastră. Tunderea frecventă sporește densitatea firelor de iarbă și previne în mod eficient răspândirea buruienilor.

Tăierea ierbii cât mai aproape de margine



Lama specială decalată se apropie cât mai mult posibil de marginea gazonului, pentru ca dumneavoastră să aveți foarte puțin sau chiar deloc de aranjat.

Înălțimea de tăiere



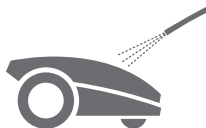
Înainte de a porni pentru prima dată robotul dumneavoastră Landroid, asigurați-vă că iarba nu este mai înaltă de 10 cm. Dacă este mai mare de atât, folosiți o cositoare obișnuită, înainte de a tăia iarba folosind Landroid. Dacă doriți să scurtați drastic înălțimea ierbii dumneavoastră, este recomandat să faceți acest lucru gradual, ajustând înălțimea de tăiere treptat.

Securitate și protecție cu cod PIN



Pentru a preveni utilizarea de către persoane neautorizate, Landroid este protejat cu un cod PIN pe care îl puteți configura cu ușurință.

Ușor de curățat



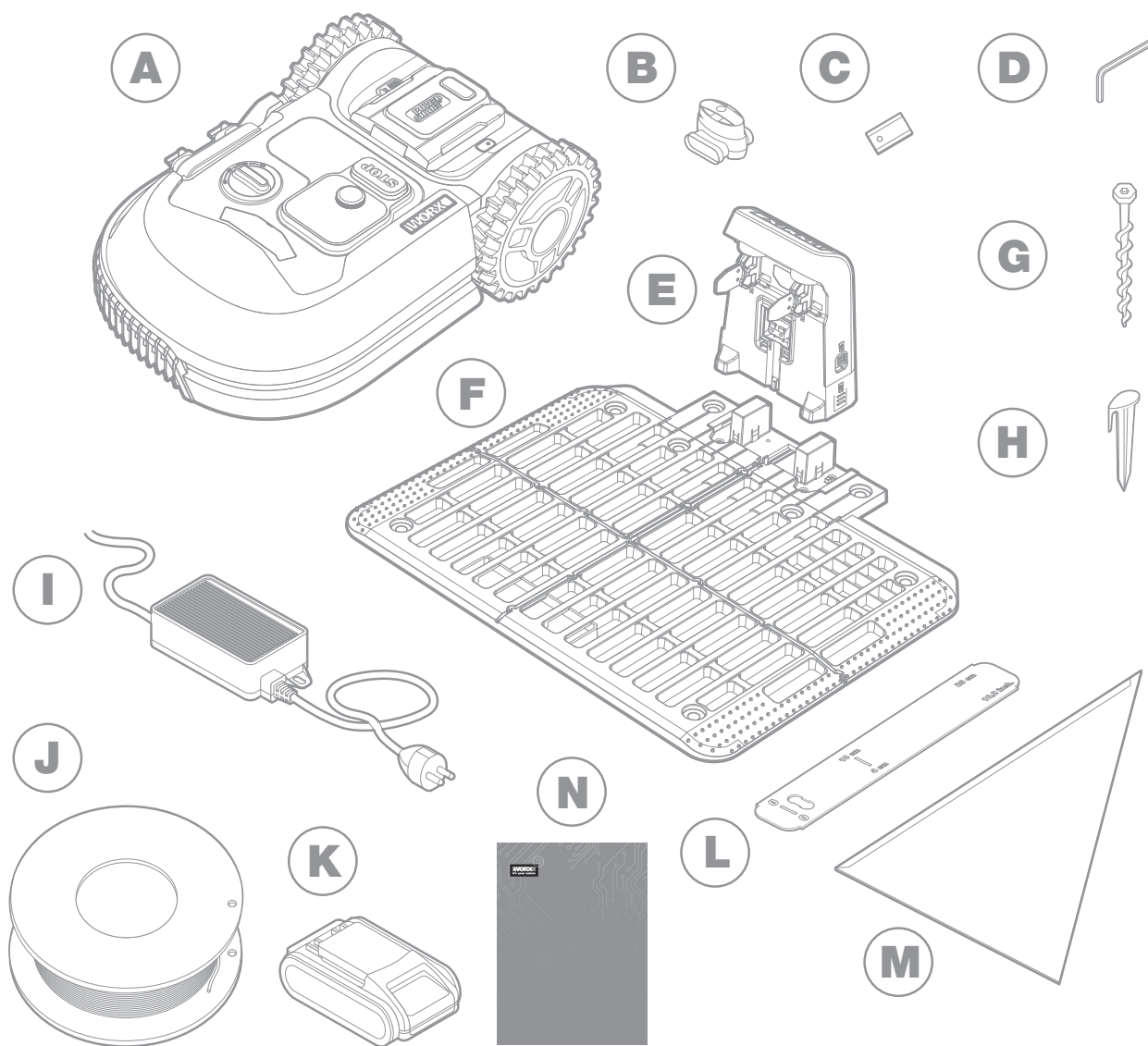
Datorită funcției sale impermeabile IPX5, Landroid scapă de praf, gazon și mediul dur întâlnit în timpul lucrului. Faceți Landroid să arate și să performeze mai bine.

Tracker la sol



Cu noul design automat de ridicare, lamele sale pot fi ridicate automat pentru a oferi o distanță mai mare. Acest lucru îl ajută pe Landroid să evite anumite situații care ar bloca alte mașini de tuns iarba.

CE ESTE INCLUS ÎN PACHET



Imaginea servește doar ca referință

- A** Worx Landroid

- B** Conectori de reparare a cablurilor

- C** Seturi de lamele de rezervă

- D** Cheie hexagonală

- E** Platformă de încărcare

- F** Greutate de încărcare

- G** Șuruburi

- H** Țăruși pentru cablu

- I** Unitate de alimentare cu energie

- J** Cablu perimetral

- K** Acumulator 20V

- L** Dispozitiv de măsurare a distanței pentru cablul de delimitare

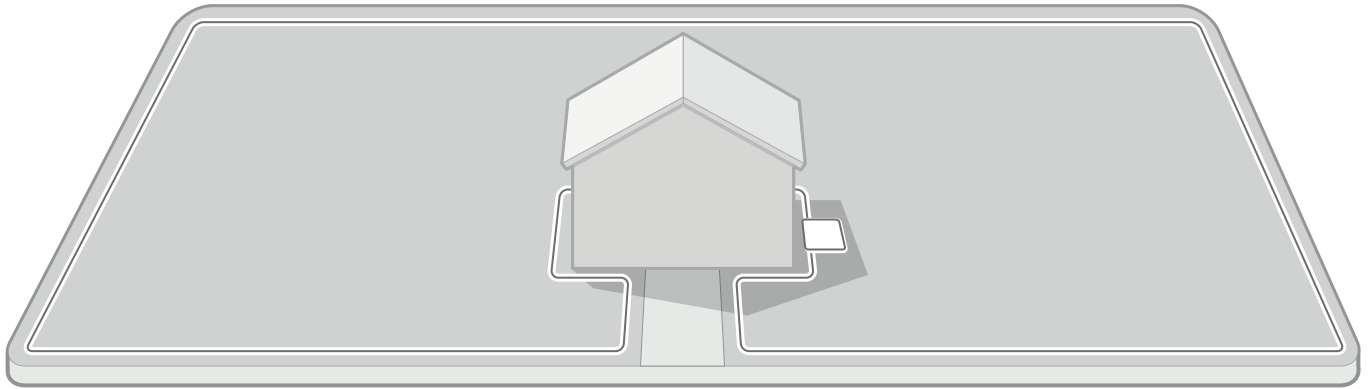
- M** Ruletă bertelsen

- N** Manualul

INSTALAREA

Instalarea robotului dumneavoastră Worx Landroid este mai facilă, dacă urmați aceste instrucțiuni. În fond, este vorba despre instalarea platformei de încărcare și de montarea cablului perimetral pe tot gazonul dumneavoastră. În plus față de prezentul manual, puteți folosi ghidul Primii pași inclus în cutie și puteți vizualiza tutoriale video cuprinzătoare pe canalul nostru YouTube*.

* Aceste informații sunt oferite pentru confortul dumneavoastră, însă ele nu înlocuiesc manualul de utilizare și instrucțiunile de siguranță care trebuie citite și înțelese.



Parcurgeți gazonul dumneavoastră pentru a planifica instalarea

Instalați stația de încărcare

Amplasați cablul perimetral

Conectați stația de încărcare la o sursă de curent alternativ

Porniți robotul Landroid. Testați și pregătiți-vă să tundeți gazonul

FIECARE MINUT PETRECUT PLANIFICÂND REPREZINTĂ O ECONOMIE DE 10 MINUTE ÎN TIMPUL EXECUTĂRII

Instalarea Landroid este și mai ușoară dacă aveți o idee clară despre ceea ce trebuie să faceți. Planificarea corespunzătoare vă va ajuta să evitați greșelile sau nevoia de a repeta instalarea după finalizare.

1. La suprafață sau îngropat?

Cablul perimetral Landroid este proiectat să stea pe suprafața gazonului dumneavoastră. Aproape invizibil din prima zi, cablul va fi acoperit de sol în câteva săptămâni. Dacă doriți să îngropați cablul, este recomandat mai întâi să montați un țărș și să testați dacă instalarea a fost efectuată în mod corespunzător permițând robotului Landroid să treacă peste perimetru. Acest lucru vă permite să verificați totul cu ușurință și, dacă este necesar, să schimbați configurația înainte de îngroparea cablului. Îngropați cablul la doar câțiva centimetri în sol, pentru a vă asigura că primiți semnal bun de la cablu.

2. Planificarea pentru stația de încărcare

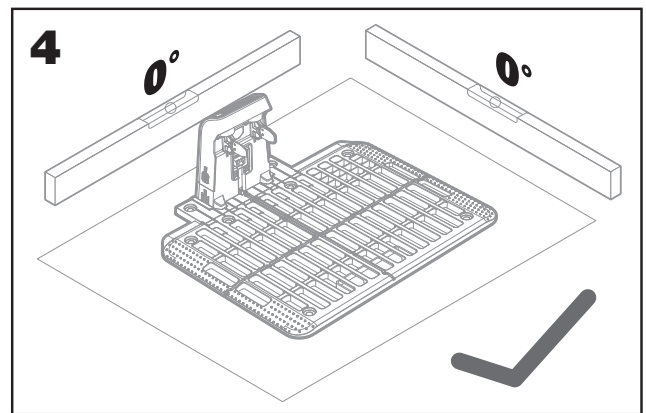
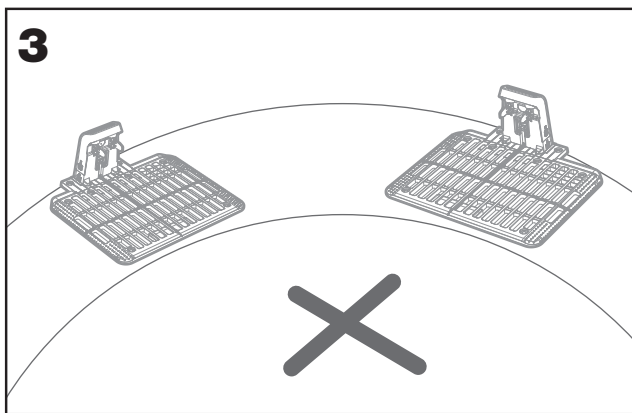
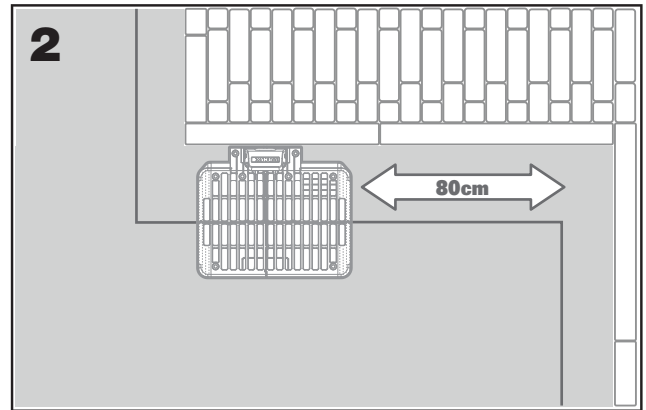
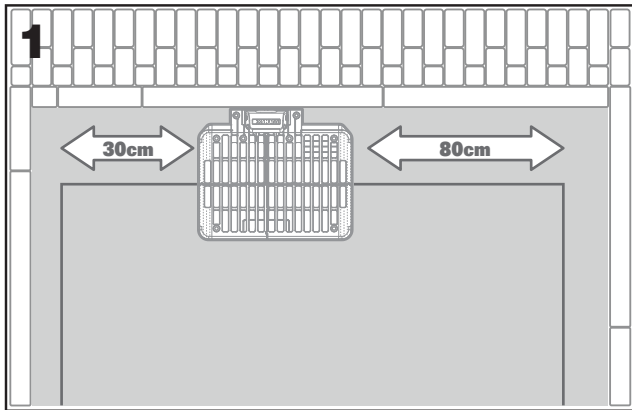
Stația de încărcare, format dintr-o grămadă de încărcare și o bază de încărcare, este locul unde Landroid merge pentru reîncărcarea acumulatorului. De asemenea, este parcare unde se odihnește între două sesiuni de tuns gazonul.

Identificați o poziție corespunzătoare, ținând cont de următoarele aspecte:

- A. Este necesară alimentarea cu energie electrică, așadar nu poate fi mai departe de 10 metri de o sursă de alimentare ca.
- B. Dacă este posibil, alegeți o poziție la umbră, deoarece acumulatorii și încărcătoarele nu preferă supraîncălzirea
- C. Platforma trebuie să stea pe o suprafață plană, pentru a asigura conectarea corespunzătoare
- D. Evitați amplasarea în apropierea aspersoarelor pentru irigație

Puteți amplasa stația de încărcare pe gazonul dumneavoastră sau pe o suprafață dură, spre exemplu o alee, cu condiția ca gazonul și aleea să fie la aceeași înălțime (fără înălțimi diferite).

Pentru a intra în stație, Landroid are nevoie de o potecă dreaptă de cel puțin 80 de centimetri. Pe partea de ieșire, robotul are nevoie de o potecă dreaptă de cel puțin 30 de centimetri înainte de un viraj la stânga (figura 1). Dacă virajul este la dreapta, nu este necesară o potecă dreaptă (figura 2).

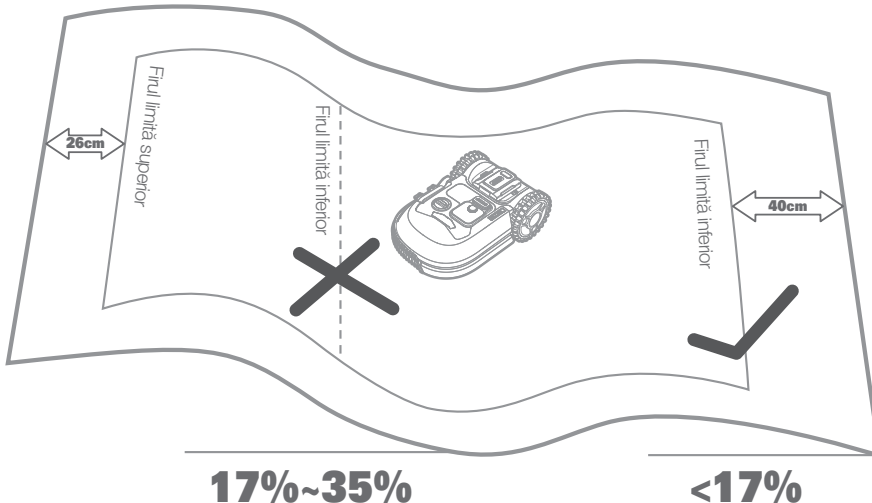


3. Lista de verificare pentru stația de încărcare

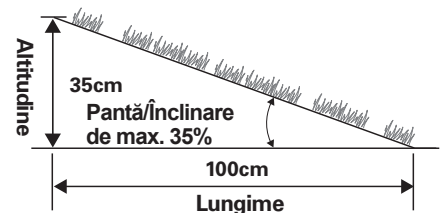
- A . aproape de o sursă de alimentare ca
- B . la umbră
- C. potecă dreaptă la intrare; potecă dreaptă la ieșire, dacă este
- D. cazul teren plat
- E. fără aspersoare pentru irigație în apropiere

4. Amplasarea firului limită în pantă

Firul limită superior NU are voie să fie amplasat în pantă având o înclinație mai mare de 35% (20°)*. Firul limită inferior NU are voie să fie amplasat în pantă având o înclinație mai mare de 17% (10°), și trebuie amplasat cel puțin la 40cm față de orice obstacole în cazul poziționării pe o pantă de 17%.



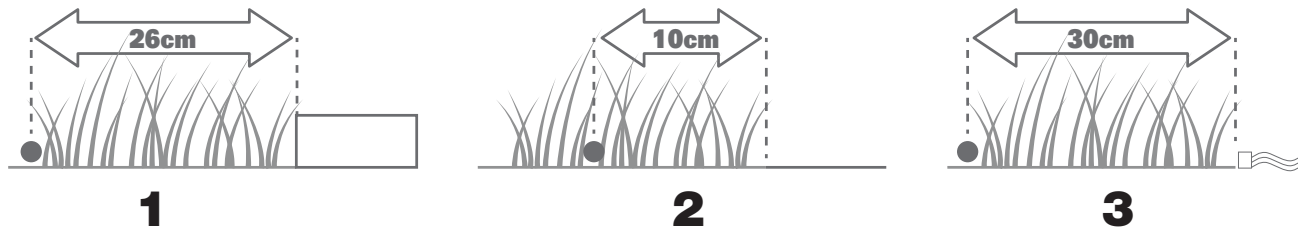
*Modalitatea de calcul a înclinării suprafeței gazonate:
 Înclinarea suprafeței va fi de:
 $\frac{35 \text{ cm (Alitudine)}}{100 \text{ cm (Lungime)}} = 35\% \text{ (Pantă/Înclinare)}$



5. Planificarea pentru cablul perimetral

Cablul trebuie să fie amplasat la o anumită distanță de marginea gazonului. Distanța se modifică în funcție de ceea ce se află de cealaltă parte a marginii. Diferite părți ale gazonului dumneavoastră se pot învecina cu diferite lucruri:

- A. Dacă marginea gazonului se învecinează cu o suprafață situată la nivel diferit: păstrați cablul la o distanță de 26 de cm de margine (figura 1)
- B. Dacă marginea gazonului se învecinează cu o alee la aceeași înălțime: păstrați cablul la o distanță de 10 cm de margine. (figura 2)
- C. În cazul în care marginea limitei gazonului este o piscină: țineți firul la cel puțin 30cm distanță față de margine. (Figura 3)



În cazul în care o parte a limitelor gazonului dumneavoastră este gazonul vecinului în care este operată o cositoare robot, puneți firul dumneavoastră la cel puțin 1m distanță față de firul vecinului dumneavoastră pentru a evita posibilele interferențe.

PARCURGEȚI GAZONUL DUMNEAVOASTRĂ

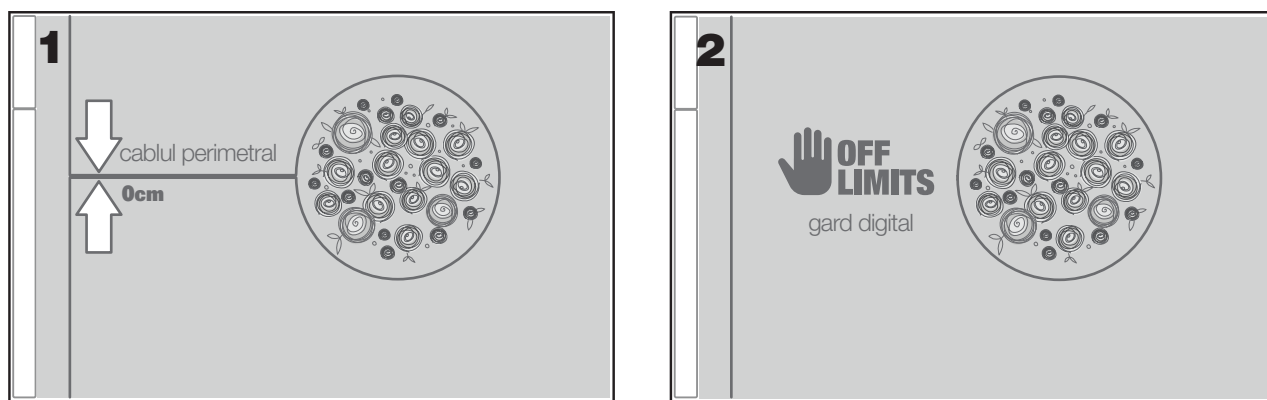
Landroid este proiectat pentru a face față celor mai complexe gazoane. Efectuați o inspecție vizuală a gazonului dumneavoastră astfel încât să fiți pregătit pentru o instalare fără probleme a cablului perimetral.

1. Identificarea zonelor interzise

Nu vreți ca cositoarea dumneavoastră robot să cosească florile, să facă scufundări sau să taie rădăcinile de copaci care ies din sol. Localizați aceste zone și înconjurați-le cu cablu perimetral pentru a preveni accesul robotului Landroid.

Cablul perimetral este un singur cablu conectat la ambele capete la stația de încărcare, astfel încât va trebui să plecați cu cablul de la margine, să înconjurați zona pe care doriți să o protejați, apoi să reveniți cu cablul înapoi la margine, conform ilustrației din figura 1. Dacă zonele care trebuie înconjurate sunt departe de marginea gazonului dumneavoastră sau dacă aveți câteva zone și rădăcini de copaci de protejat, această metodă tradițională necesită mult timp.

O alternativă excelentă este să cumpărați opțiunea Landroid Zone interzise. Cu ajutorul acestei opțiuni, înconjurați zonele interzise cu un gard digital Off- Limits, care nu trebuie conectat la cablul perimetral (figura 2). Gardul digital Off-Limits este de asemenea foarte bun pentru protejarea echipamentului sezonier (de exemplu, o trambulină) sau pentru a proteja modificările noi aduse aspectului gazonului dumneavoastră, fără a fi necesară mutarea cablului perimetral.



2. Identificarea obstacolelor

Senzorul de obstacole al robotului Landroid poate gestiona obstacolele dure precum copacii, mobilierul sau alte obstacole similare, care nu trebuie înconjurate cu cablu perimetral. În cazul în care gazonul dumneavoastră are câteva obstacole sau câțiva copaci la distanțe foarte mici, vă recomandăm să achiziționați opțiunea Landroid ACS, un autopilot inteligent cu ultrasunete care permite robotului dumneavoastră Landroid să ocolească obstacolele, în loc să se lovească de ele.

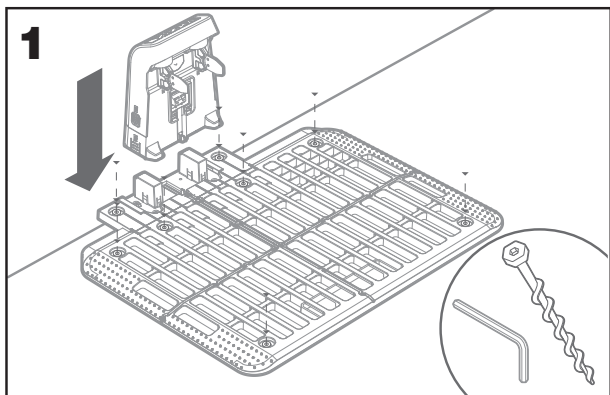
ACUM SUFLECAȚI-VĂ MÂNECILE. CÂND E GATA, E GATA!

Acum că ați planificat toate detaliile instalării, sunteți gata să intrați în acțiune. Înainte de a începe, probabil veți dori să folosiți pentru ultima dată cositoarea veche pentru a curăța gazonul și pentru a simplifica instalarea.

1. Amplasarea stației de încărcare în locul selectat

A. Introduceți teancul de încărcare în baza de încărcare. Apoi utilizați cheia hexagonală inclusă pentru a fixa stația de încărcare la sol cu șuruburile închise (Fig. 1)

B. Dacă amplasați platforma pe o suprafață dură, fixați-o cu pene și elemente de fixare pentru șuruburi (nu sunt incluse în volumul de livrare)

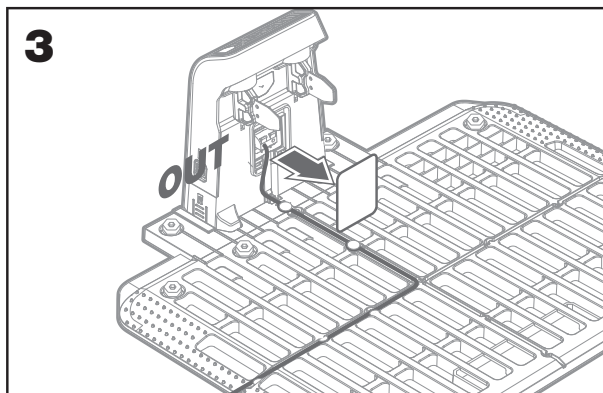
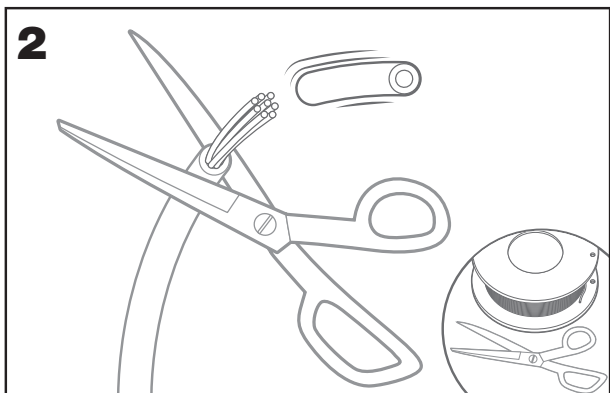


2. Conectați un capăt al cablului perimetral la stația de încărcare

A. Dezizolați capătul cablului cu o foarfecă (figura 2)

B. Deschideți ușa de plastic și introduceți capătul dezizolat în clema roșie din partea stângă (figura 3)

C. Treceți cablul prin ghidajul platformei, conform figurii 3



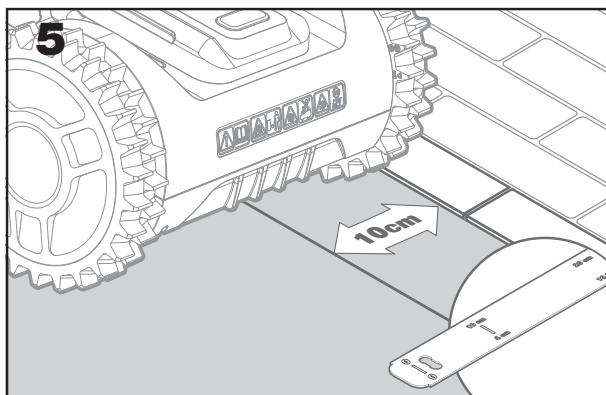
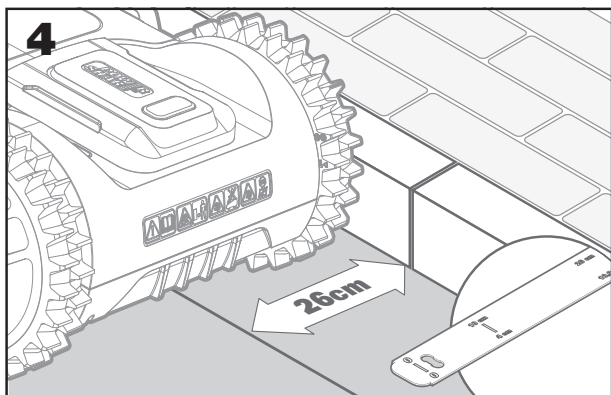
3. Amplasați cablul perimetral în jurul gazonului dumneavoastră

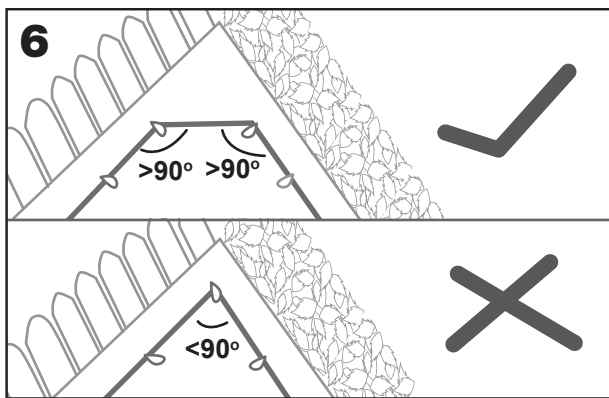
A. Utilizați dispozitivul de măsurare furnizat pentru a măsura distanța dintre cablul și margine.

B. Dacă există o diferență de nivel la marginea gazonului dumneavoastră, păstrați cablul la 26 de cm de margine (figura 4)

C. Dacă nu există o diferență de nivel, păstrați cablul la o distanță de 10 cm de margine (figura 5)

D. Asigurați-vă că linia limită este complet dreaptă la fiecare colț și unghiul liniei limită este mai mare de 90 °.

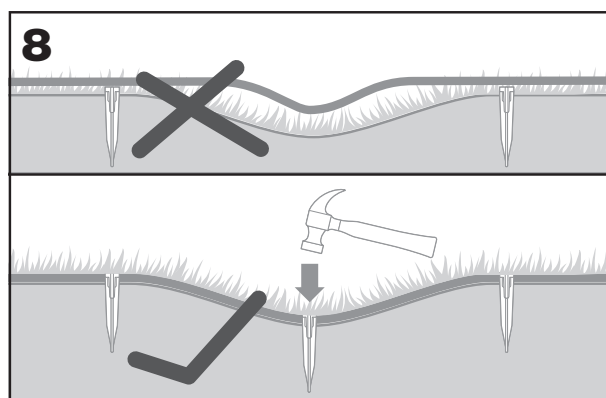
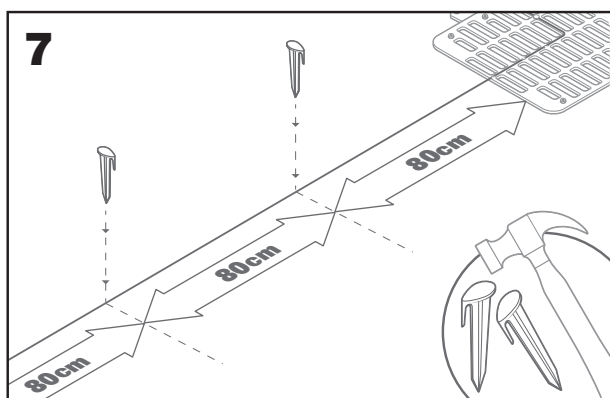




4. Fixați cablul pe sol folosind țărushi

A. Amplasați țărushii la o distanță de aproximativ 80 de cm unul față de celălalt (figura 7).

B. Asigurați-vă că întotdeauna cablul se află aproape de sol (figura 8).



5. Realizați insule în perimetru, dacă este cazul

A. Protejați straturile de flori, iazurile, rădăcinile copacilor și alte zone înconjurându-le cu cablul perimetral.

B. Porniți de la margine în unghi drept pentru a ajunge în zona care trebuie protejată.

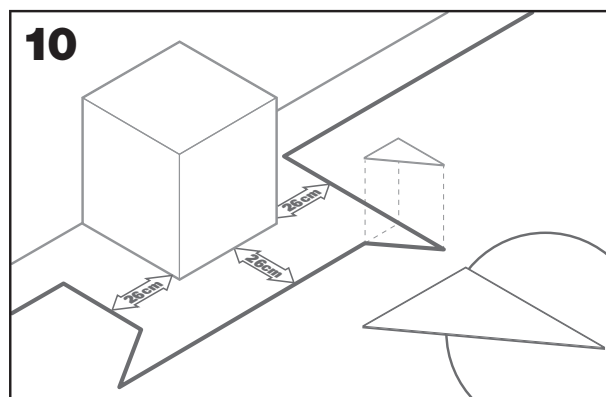
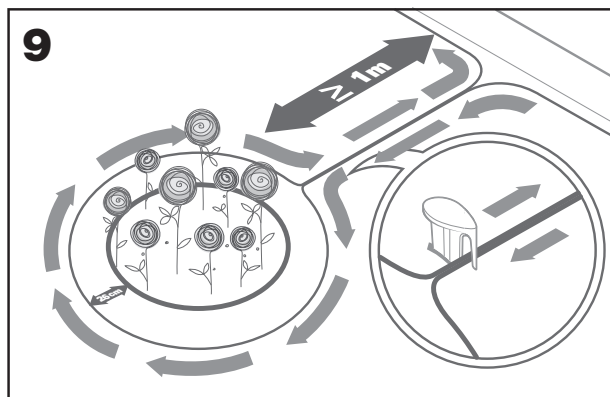
C. Înconjurați zona cu cabl, respectând distanța de 26 de cm, până când închideți insula.

D. Amplasați cablul întotdeauna în sens orar. Dacă nu respectați această instrucțiune, unitatea de cosire va pătrunde pe insulă.

E. Reveniți la marginea gazonului urmând același traseu.

6. Metoda Bertelsen: cum să creați unghiuri perfecte de 90 de grade, cu colțuri orientate către gazon

Dacă există colțuri cu unghiuri de 90 de grade orientate către interiorul gazonului, folosiți ruleta Bertelsen pentru a ajuta robotul Landroid să facă întoarceri perfecte (și pentru a elimina riscul ca Landroid să lovească un obstacol aflat pe marginea gazonului, în timp ce efectuează această manevră).



7. Închiderea buclei

De îndată ce ați finalizat amplasarea cablului de-a lungul perimetrului gazonului dumneavoastră, veți reveni la platforma de încărcare.

A. Treceți cablul prin ghidajul platformei, până la clemă (figura 11)

B. Tăiați excesul de cablu și dezizolați capătul cu o foarfecă

C. Introduceți capătul dezizolat în clema neagră din dreapta

8. Ultimii pași

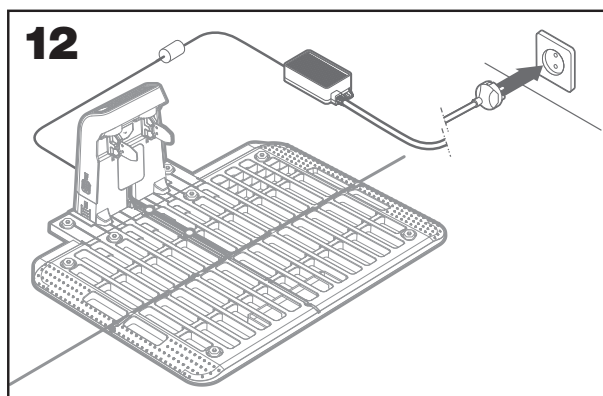
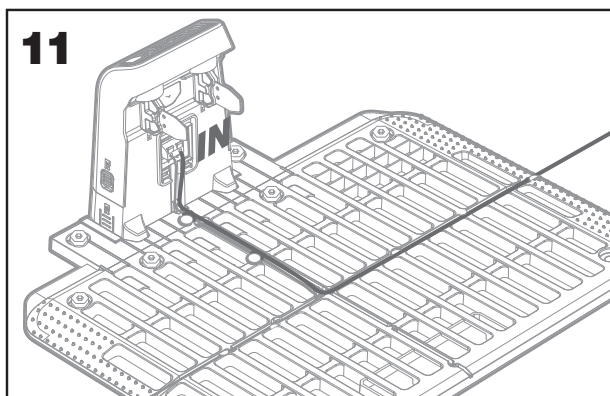
Partea plictisitoare s-a terminat! Mai sunt doar câțiva pași de efectuat:

A. Conectați stația de încărcare la o sursă de alimentare ca (figura 12)

B. Dacă totul este în regulă, LED-ul va lumina verde.

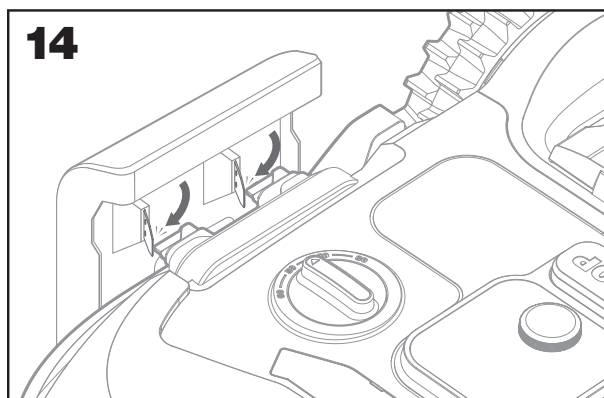
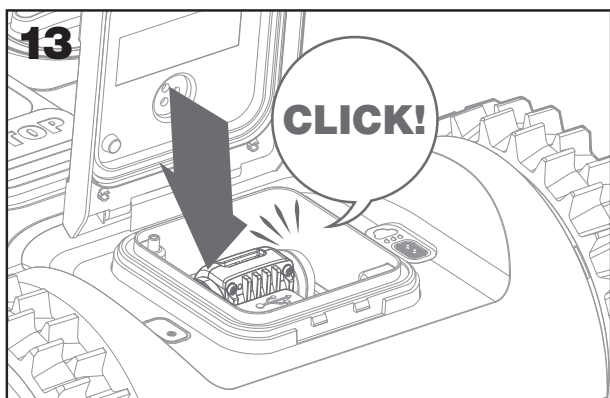
C. Dacă există probleme de-a lungul buclei, cum ar fi cablul este deteriorat sau capetele cablului nu au fost conectate în mod corespunzător, LED-ul va lumina roșu.

Verificați ca totul să fie în regulă și consultați secțiunea Întrebări frecvente, în cazul în care problema persistă



D. Deschideți partea din spate a robotului Landroid și introduceți acumulatorul PowerShare în fantă până auziți un clic (figura 13)

E. Puneți Landroid la încărcare și asigurați-vă că s-a stabilit un contact ferm cu baza (fig. 14). LED-ul va pulsa verde; îndată ce bateria este încărcată complet, LED-ul va lumina cu lumină verde continuă.



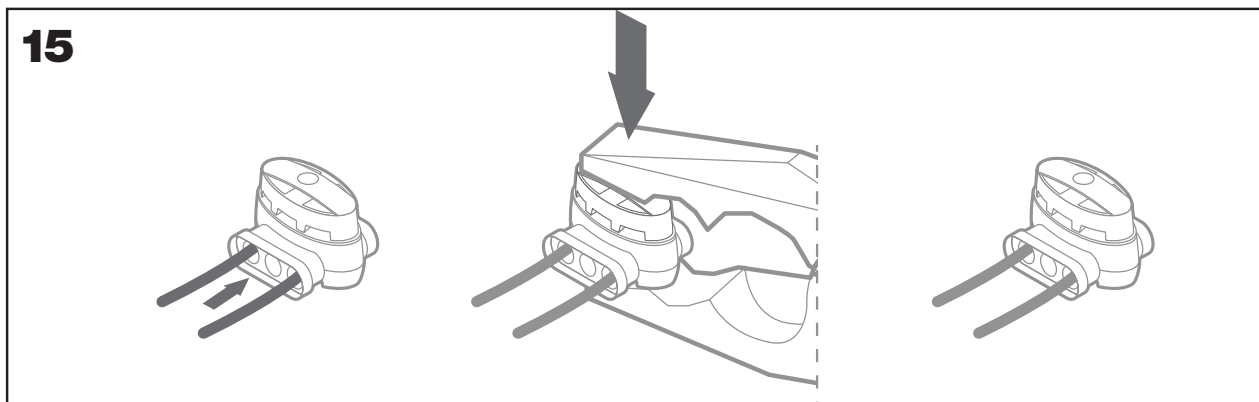
F. Lăsați acumulatorul Landroid să se încarce puțin. În timp ce se încarcă vă puteți bucura de o bine meritată pauză: familiarizați-vă cu instrucțiunile de mai jos și conectați robotul Landroid la rețeaua dumneavoastră Wi-Fi.

9. Îmbinarea cablului perimetral

- Cutia Landroid include doi conectori impermeabili, de mici dimensiuni, pentru cablul perimetral. Aceștia pot fi utilizați în următoarele situații:
- A. Atunci când gazonul dumneavoastră ocupă o suprafață mare și aveți nevoie de cablu perimetral suplimentar pentru a finaliza instalarea. Vă rugăm să nu depășiți 300 de metri de cablu perimetral: aceasta este lungimea maximă a perimetrului cablului perimetral
 - B. Atunci când cablul perimetral este tăiat accidental și trebuie să îl reparați.
 - C. Atunci când decideți să rearanjați grădina pe viitor și este necesară modificarea instalării originale a cablului perimetral.

Conectorii sunt impermeabili și asigură o conexiune electrică optimă. (Fig.15).

- D. Introduceți ambele capete ale cablului în oricare două orificii ale celor trei orificii ale conectorului; nu este necesară dezizolarea cablurilor.
- E. Introduceți cablurile complet, până când ambele capete sunt vizibile pe partea cealaltă a conectorului.
- F. Presați conectorul ferm, folosind un clește.



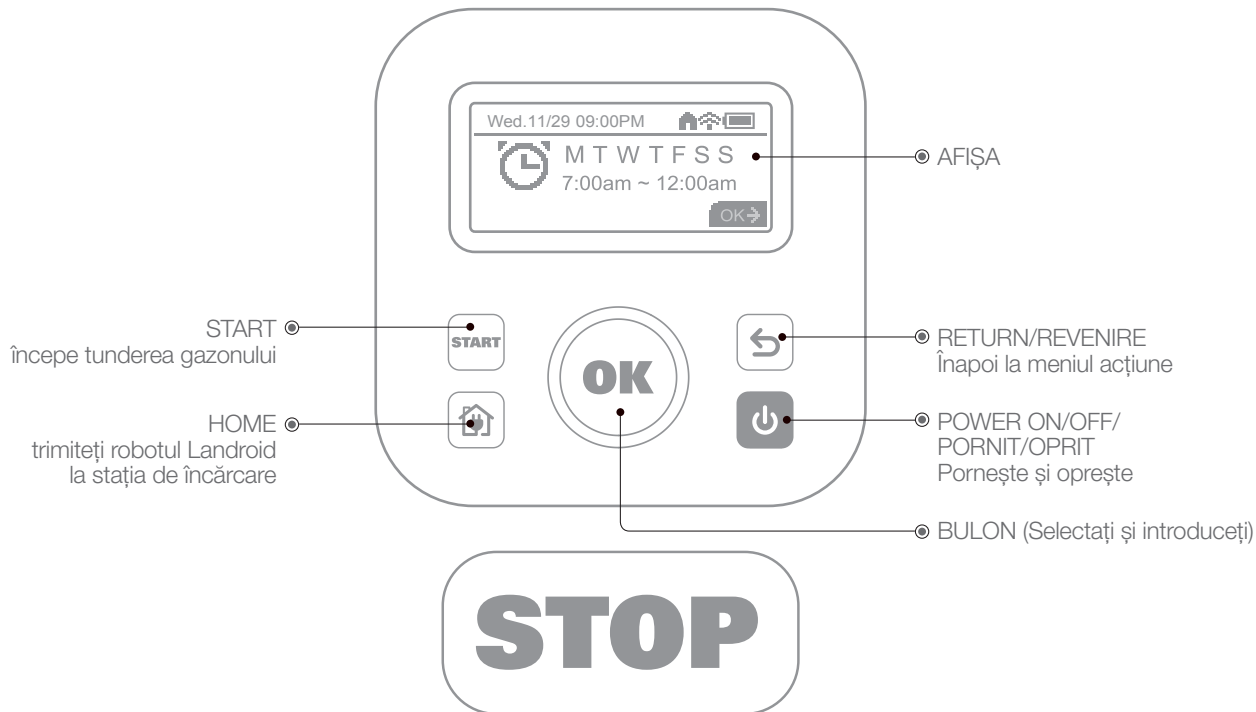
⚠️ Atenție: nu se recomandă să îmbinați cablul perimetral cu bandă izolatoare sau să folosiți un bloc de borne cu șurub pentru conexiune. Un circuit se poate deteriora după o perioadă de timp, întrucât umezeala din sol poate oxida cablul.

ACUM PENTRU PARTEA INTERESANTĂ! PORNIIȚI ROBOTUL LANDROID PENTRU PRIMA DATĂ!

Familiarizați-vă cu panoul de comandă

Panoul de comandă al robotului Landroid asigură funcțiile cheie într-un design minimalist.

Pentru funcții avansate, aplicația Landroid gratuită vă oferă opțiuni suplimentare folosind o interfață mai bogată: smartphone-ul.



Pornirea robotului Landroid

- Amplasați robotul Landroid în interiorul perimetrului realizat folosind cablul perimetral
- Apăsăți până când ecranul se aprinde. Apoi introduceți codul PIN
- Rotiți în sensul acelor de ceasornic pentru a selecta numărul și apăsați scurt pentru a confirma unul câte unul. Ecranul va afișa „PIN code OK”
- Apăsăți butonul , apoi apăsați . Landroid va începe să tundă gazonul
- Puteți opri robotul Landroid în orice moment apăsând butonul
- Pentru a trimite robotul Landroid la stația de încărcare, apăsați butonul , apoi apăsați

Notă: Codul PIN implicit este 0000

PANOUL DE COMANDĂ LANDROID

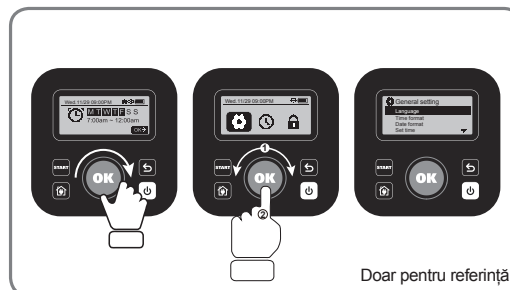
Funcții avansate prin intermediul interfeței integrate

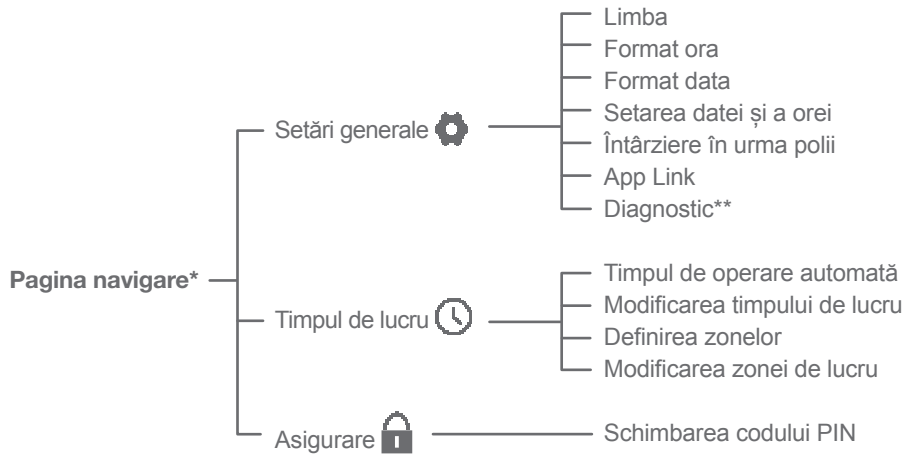
În ciuda designului minimalist, puteți seta câteva funcții avansate prin intermediul panoului de comandă integrat.

Cu toate acestea, pentru cea mai bună experiență de utilizare vă recomandăm să folosiți aplicația Landroid gratuită, datorită interfeței mai bogate și mai intuitive.

1. Înființat

- Rotiți în sensul acelor de ceasornic pentru a introduce setarea
- Apoi rotiți pentru a selecta "Setări generale " / "Ore de lucru " / "Securitate ", apăsați scurt pentru a intra.
- Folosiți aceeași metodă pentru a lua măsuri de umărire.



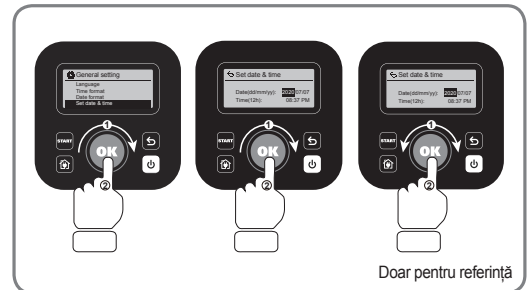


* Actualizați continuu în funcție de versiunea software-ului.

** Numai pentru servicii post-vânzare

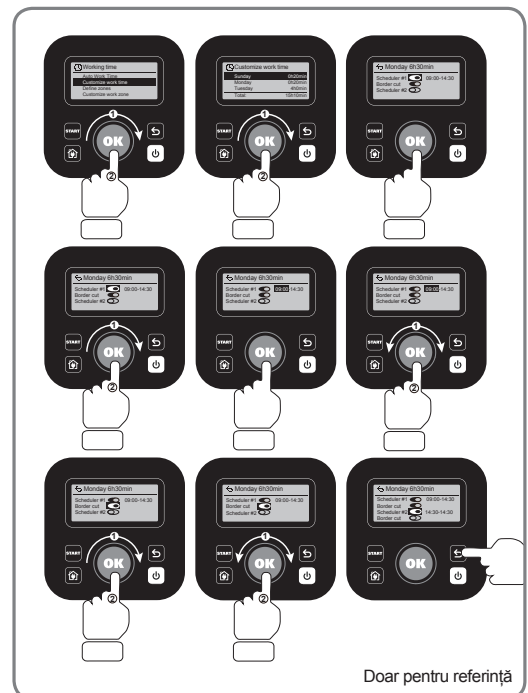
2. Setări data & Ora

- Înapoi la "Setări generale"
- Rotiți în sensul acelor de ceasornic **OK** "Setări data & ora", apoi apăsați scurt pentru a intra.
- Apoi rotiți în sensul acelor de ceasornic **OK** Selectați "Ziua" și Apăsați scurt. Numărul selectat va clipi.
- Următorul, Rotiți **OK** pentru a selecta numărul și apăsați scurt pentru a confirma. Utilizați aceeași metodă pentru a finaliza "Luna / An / Ora".



3. Program de lucru personalizat

- Înapoi la "programul de lucru"
- Rotiți în sensul acelor de ceasornic **OK** Accesați "Programul de lucru personalizat", apoi apăsați scurt pentru a intra.
- Rotiți în sensul acelor de ceasornic **OK** Selectați ziua săptămânii, apoi apăsați scurt.
- Apoi, apăsați pentru a introduce setările.
- Rotiți în sensul acelor de ceasornic **OK** pentru a activa "Programarea # 1 *". Apăsați scurt **OK** pentru a confirma.
- Apoi, rotație în sensul acelor de ceasornic **OK** Selectați ora de început "oră / minut", apoi apăsați scurt pentru a introduce setarea. Numărul selectat va clipi.
- Rotiți **OK** pentru a selecta ora de început pe care doriți să o tăiați LANDROID la o anumită dată, apoi apăsați scurt pentru a confirma. Utilizați aceeași metodă pentru a finaliza timpul de oprire.
- După aceea, rotație în sensul acelor de ceasornic **OK** și apăsați scurt pentru a introduce setarea "tăiere cadru".
- Rotiți **OK** pentru a alege dacă activați "Border Cut", apoi apăsați scurt pentru a confirma.
- Dacă doriți să setați "Programarea # 2 *", vă rugăm să utilizați aceeași metodă ca mai sus.
- Apăsați **S** și utilizați aceeași metodă pentru a seta programul de lucru al celorlalte zile lucrătoare.



* Se pot seta două programe într-o singură zi.

4. Reglarea orelor de lucru

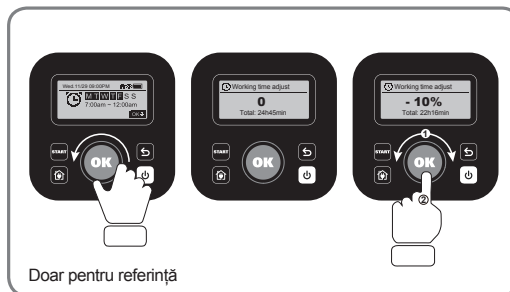
Puteți regla rapid programul de lucru al săptămânii. Creșterea / scăderea timpului va fi alocată în mod egal zilelor lucrătoare necesare

A. Reveniți la ecranul principal.

B. Rotiți în sens invers acelor de ceasornic **OK** Pentru a activa reglarea timpului de lucru.

NOTĂ: Timpul total se bazează pe timpul de lucru personalizat și poate fi ajustat într-un gradient de 10%.

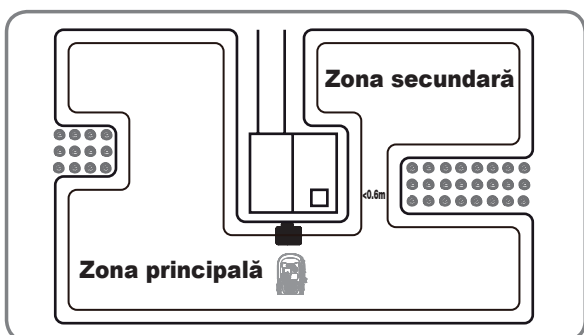
C. Apoi rotiți **OK** pentru a regla și apăsați scurt pentru a confirma.



5. Setare cu o singură tăiere

Dacă peluza dvs. are mai multe zone conectate prin coridoare, lățimea ar trebui să fie de cel puțin 0,6m . Dacă coridorul este mai îngust decât 0,6m , va fi dificil pentru Landroid să se deplaseze între ele. În acest caz, se recomandă amenajarea zonelor primare și secundare pe gazon. Linia de delimitare trebuie plasată așa cum se arată.

Pentru setări de lucru flexibile (fie să reveniți la stația de încărcare, fie să tăiați cadrul), mai ales atunci când Landroid este situat într-o zonă auxiliară fără stație de încărcare, Timpii tăiați.



- Plasați Landroid în linia de graniță.

- Când Landroid este conectat la baza de încărcare .

A. Reveniți la ecranul principal.

B. Apăsați rapid **START** de trei ori.

C. Rotiți în sensul acelor de ceasornic **OK** Selectați "Cadou la domiciliu? - DA / NU " (indiferent de stație de încărcare indiferent dacă este în această zonă), apoi apăsați scurt pentru a introduce setarea. Cuvântul selectat va clipi, apoi apăsați scurt pentru a confirma.

D. Apoi, rotiți **OK** Selectați "Activați tăierea chenarelor da / nu" (dacă trebuie tăiate chenarele), apoi apăsați scurt. Cuvântul selectat va clipi, apoi apăsați scurt pentru a confirma. Apoi utilizați aceeași metodă pentru a finaliza "timpul de lucru".

E. Apoi rotiți în sensul acelor de ceasornic **OK** Selectați "Start", apoi apăsați scurt pentru a începe tăierea

Atenție: Landroid va reveni la Stație de încărcare Pentru a încărca bateria Terminați sau timpul de reducere a expirat. Dacă Landroid este complet încărcat și timpul stabilit nu a expirat, Landroid va continua să tundă până la sfârșitul timpului.

- Când Landroid este deconectat de la Stația de încărcare ,

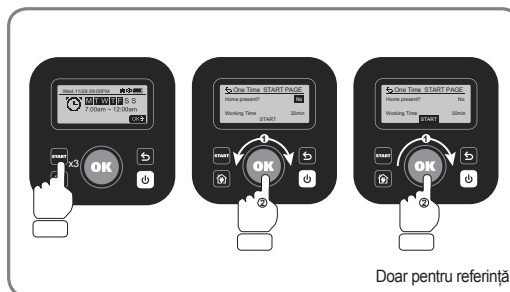
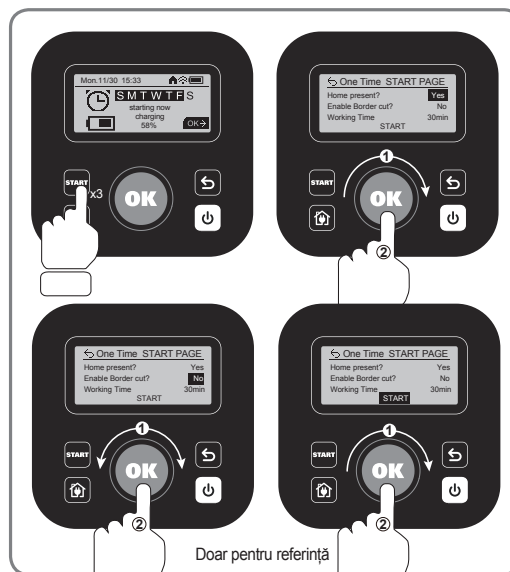
A. Reveniți la ecranul principal.

B. Apăsați rapid **START** de trei ori.

C. Rotire **OK** Selectați "Cadou acasă? - DA / NU " (Stație de încărcare Fie că este în această zonă) și apăsați scurt Introduceți setările . Cuvântul selectat va clipi, apoi apăsați scurt pentru a confirma. Folosiți aceeași metodă pentru a finaliza "timpul de lucru".

D. Apoi rotiți în sensul acelor de ceasornic **OK** Selectați "Start", apoi apăsați scurt pentru a începe tăierea

Notă: când Landroid-ul dvs. este situat în zona principală (de obicei situat în stația de încărcare), acesta va reveni stația de încărcare este folosit pentru a se încărca atunci când bateria este epuizată sau timpul de tăiere a expirat. Dacă Landroid este complet încărcat și timpul stabilit nu a expirat, Landroid va continua să tundă până la sfârșitul timpului. Când Landroid-ul dvs. se află în zona secundară, acesta se va opri din tuns și va rămâne acolo unde bateria este epuizată, a venit timpul de tăiere, Landroid întâmpină unele probleme (de exemplu, crash și altele) sau apăsați manual "STOP" .



CONECTAREA LANDROID LA INTERNET

De ce să conectați Landroid la internet

Landroid-ul dvs. poate fi conectat prin Wi-Fi sau Bluetooth. Landroid este un dispozitiv care aparține Internetului obiectelor. Pentru a vă bucura de funcționalitatea maximă a robotului dumneavoastră Landroid asigurați-vă că este întotdeauna actualizat la cea mai recentă versiune de software și că este mereu conectat la internet prin intermediul rețelei dumneavoastră Wi-Fi.



ÎNAINTE DE A ÎNCEPE

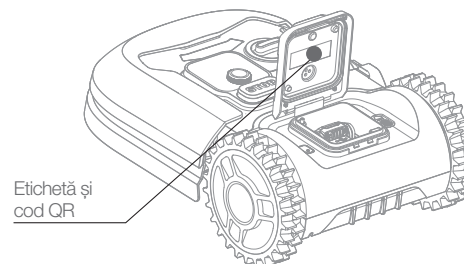
1. Descărcați aplicația

Mai întâi, descărcați aplicația Landroid gratuită. Puteți descărca aplicația din Google Play sau din Apple app store.

2. Asigurați-vă că aveți:

- A. Parola rețelei dumneavoastră de Wi-Fi / Funcția Bluetooth pe smartphone
- B. Numărul de serie al robotului Landroid: se poate găsi pe eticheta de sub capacul spate al robotului.

Dacă nu doriți să introduceți numărul de serie din 20 de cifre, îl puteți introduce prin scanarea codului QR cu ajutorul camerei foto a smartphone-ului dumneavoastră.



3. Verificați setările

Conexiune Wi-Fi

- A. Landroid funcționează cu semnal Wi-Fi de 2,4 GHz
- B. Asigurați-vă că robotul dumneavoastră Landroid este conectat la același router ca smartphone-ul dumneavoastră
- C. Asigurați-vă că distanța între robotul dumneavoastră Landroid, smartphone și routerul dumneavoastră este cât mai mică posibil în timpul conexiunii

Recomandare: atunci când robotul Landroid se deplasează într-o zonă cu semnal Wi-Fi slab sau fără semnal Wi-Fi, instrucțiunile transmise de aplicație vor fi executate doar atunci când Landroid revine într-o zonă cu semnal bun.

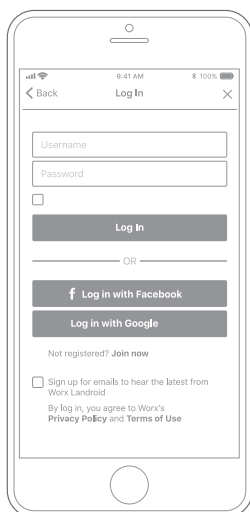
Conexiune Bluetooth

- A. Funcția Bluetooth de pe smartphone este activată.
- B. Asigurați-vă că Landroid se află la distanța conectabilă.

CUM SĂ CONECTAȚI LANDROID LA INTERNET

Rulați aplicația și urmați instrucțiunile de mai jos.

1. Înregistrați-vă un cont



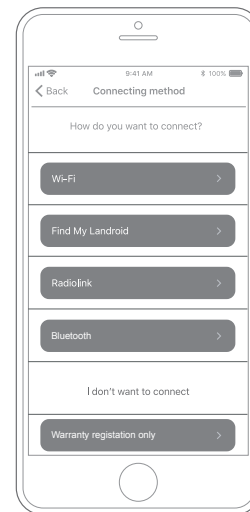
Înregistrați-vă contul prin introducerea numelui de utilizator și a parolei sau autentificați-vă folosind Facebook sau Google.

2. Introduceți numărul de serie Landroid



Înregistrați-vă robotul dumneavoastră Landroid prin introducerea manuală a numărului de serie sau prin scanarea codului QR.

3. Alegeți conexiunea dumneavoastră



Alegeți rețeaua Wi-Fi sau Bluetooth, sau vă puteți conecta la Landroid căutând opțiunea mea Landroid sau Radiolink.

Dacă rețeaua dumneavoastră WiFi nu acoperă întregul gazon, puteți lua în calcul achiziționarea opțiunii Landroid RadioLink , care extinde semnalul cu o rază de acțiune de până la 300m.

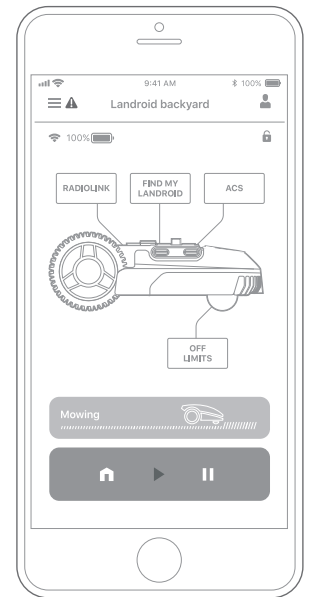
Ca o alternativă, puteți achiziționa opțiunea Find My Landroid care, pe lângă conectarea robotului Landroid la internet prin intermediul cartelei SIM integrate, vă permite să monitorizați robotul în situația nefericită în care acesta vă este furat.

APLICAȚIA LANDROID NU ESTE O SIMPLĂ TELECOMANDĂ

Nu vă gândiți la aplicație ca la o telecomandă. Aplicația este o parte integrantă a ecosistemului avansat Worx Landroid bazat pe tehnologie cloud și inteligență artificială.

Datorită funcției de realitate augmentată a aplicației, puteți măsura suprafața exactă a gazonului dumneavoastră. Este la fel de simplu precum o plimbare de-a lungul perimetrului

Mulți factori afectează rata de creștere a ierbii. Landroid le combină pentru a determina cel mai bun tratament pentru gazon. Zi după zi



⚠ UPOZORENJE: Treba pročitati sve napomene o sigurnosti i upute. *Ako se ne bi poštile napomene o sigurnosti i upute to bi moglo uzrokovati strujni udar, požar i/ili teške ozljede.*

Pažljivo pročitajte upute za sigurnu upotrebu uređaja.
Sačuvajte sve napomene o sigurnosti i upute za buduću primjenu.

KAKO LANDROID FUNKCIONIRA

U sljedećem odjeljku objasniti ćemo vam kako radi Landroid.

Landroid je autonomni stroj koji može raditi samostalno. Automatski se po potrebi vraća u bazu za punjenje, detektira kišu, zaustavlja se ako dođe do poteškoća te se vraća i zaobilazi prepreke na koje naiđe na svom putu. Da ne bi došlo do nezgoda, Landroid automatski zaustavlja disk oštrice ako se podigne s tla.

Automatsko punjenje



Ako se Landroid treba puniti, prestaje s košnjom i slijedi graničnu žicu u smjeru suprotnom od kazaljke na satu prema postolju za punjenje. Kada je punjenje dovršeno, Landroid automatski nastavlja s košnjom ili ostaje na postolju za punjenje, ovisno o rasporedu košnje.

Upravljanje granicama



Landroid je programiran da obreže travu po obodu travnjaka dva puta tjedno Ponedjeljkom i Petkom. Ako želite promijeniti ovu postavku, to možete učiniti putem pametnog telefona ili upravljačke ploče u izborniku „Work time- Customize Work time“ (Vrijeme rada - Prilagodi vrijeme rada). Pregledajte detaljne upute na kraju ovog priručnika.

Senzor za kišu



Landroid je 100% otporan na vremenske prilike i može bez problema biti na otvorenom prostoru. Međutim, košnja mokre trave neće pružiti najbolje rezultate. Landroid je opremljen senzorom koji detektira kišu i izdaje uputu da Landroid prestane s košnjom i vrati se na postolje za punjenje.

Vrijeme odgode nakon kiše



Landroid se nakon kiše ponovo pokreće kad trava više nije mokra. Zadano vrijeme odgode nakon kiše je 180 minuta. Vrijeme odgode nakon kiše možete promijeniti putem aplikacije Landroid.

Tijekom ekstremnih vremenskih uvjeta



U slučaju grmljavinskog nevremena, zaštitite Landroid tako da postolje za punjenje iskopčate iz napajanja, odspojite graničnu žicu i pazite da se Landroid ne puni. Zimi, a osobito u slučaju vrlo hladnog vremena i snijega, preporučujemo da Landroid pohranite u zatvorenom prostoru. U nekim državama pružamo zimske servise kako bi Landroid bio spreman za sezonu proljetnog rasta. Za više pojedinosti obratite se dobavljaču ili provjerite online.

Nema više prikupljanja ostataka trave



Landroid kosi svakodnevno, stoga su ostaci trave vrlo kratki i ne treba ih grabljati. Ovi ostaci pokošene trave savršeno su organsko gnojivo za vaš travnjak. Često košenje povećava gustoću trave i učinkovito sprječava širenje korova.

Rezanje do ruba



Posebna oštrica s pomakom maksimalno se približava granicama travnjaka, tako možda uopće neće biti potrebno dodatno šišanje.

Rezna visina



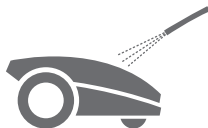
Prije nego što prvi put pokrenete Landroid, provjerite nije li trava dulja od 10 cm. Ako jest, upotrijebite običnu kosilicu prije nego što pokrenete Landroid. Ako želite drastično smanjiti visinu trave, učinite to postupno, prilagođavajući reznju visinu u koracima.

Sigurnost i zaštita PIN-om



Da biste spriječili upotrebu od strane neovlaštenih osoba, Landroid je opremljen PIN-om koji možete jednostavno postaviti.

Lako se čisti



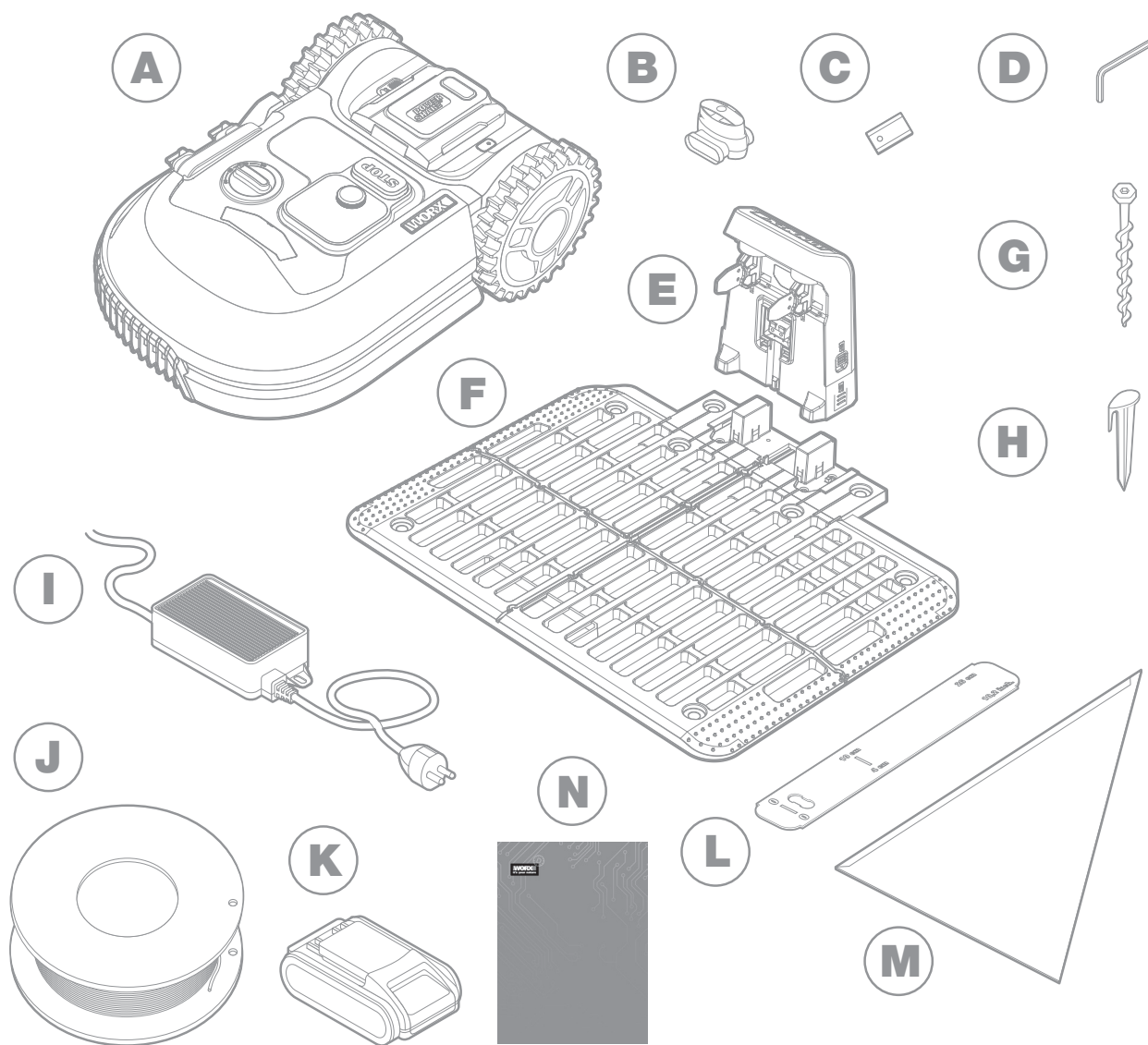
Zahvaljujući svojoj vodonepropusnoj funkciji IPX5, Landroid se rješava prašine, ruševina i surove okoline tijekom rada. Neka Landroid izgleda i izvodi bolje.

Zemaljski tragač



S novim dizajnom automatskog dizala, njegove se lopatice mogu automatski podići kako bi se dobio veći prostor. To pomaže Landroidu da izbjegne određene situacije koje bi blokirale druge kosilice.

ŠTO JE U KUTIJI



Slika je samo ilustrativne naravi

A Worx Landroid

B Priključci za popravak žice

C Kompleti rezervnih oštrica

D Imbus ključ

E Postolje za punjenje

F Hrpa za punjenje

G Vijci

H Klinovi za žicu

I Napajanje

J Granična žica

K Baterija od 20V

L Mjerači razmaka granične žice

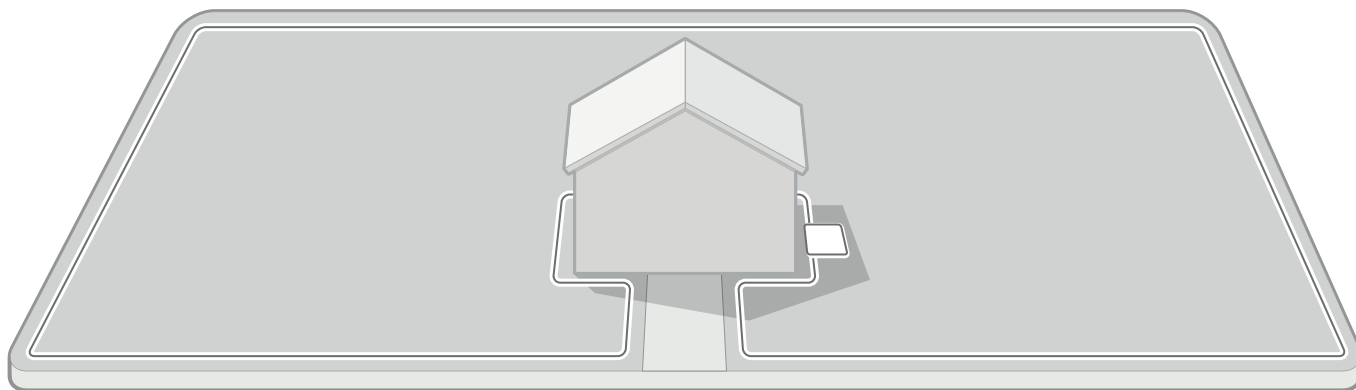
M Bertelsen ravnalo

N Priručnik

INSTALACIJA

Worx Landroid lakše ćete instalirati ako pažljivo pratite ove upute. Najvažnije je postaviti postolje za punjenje i graničnu žicu oko travnjaka. Osim ovog priručnika, možete upotrijebiti i Vodič za početak upotrebe koji se nalazi u kutiji te pregledati opsežne videovodiče na našem YouTube kanalu*.

* Ove su informacije praktične, ali ne zamjenjuju priručnik s uputama i sigurnosne upute koje treba pročitati i usvojiti.



Pregledajte travnjak kako biste isplanirali instalaciju.

Instalirajte postolje za punjenje.

Položite graničnu žicu

Priključite postolje za punjenje na napajanje.

Uključite Landroid, testirajte ga i spremni ste za košnju.

SVAKA MINUTA PROVEDENA U PLANIRANJU ŠTEDI 10 MINUTA POSLA

Landroid ćete još jednostavnije instalirati ako imate jasnu ideju što trebate učiniti. Pravilno planiranje pomoći će vam da izbjegnute pogreške ili potrebu za ponovnim instaliranjem.

1. Na površini ili pod zemljom?

Granična žica Landroida predviđena je da ostane na površini travnjaka. Iako praktički nevidljiva od prvog dana, za nekoliko tjedana bit će prekrivena zemljom. Ako želite zakopati žicu, preporučujemo da je prvo učvrstite klinovima i provjerite instalaciju tako da pustite Landroid da radi unutar granica područja. To omogućuje jednostavnu provjeru instalacije i eventualno pomicanje žice prije njezinog zakapanja. Žicu zakopajte najviše nekoliko centimetara ispod površine kako bi pružala dobar signal.

2. Planirajte mjesto za postolje za punjenje

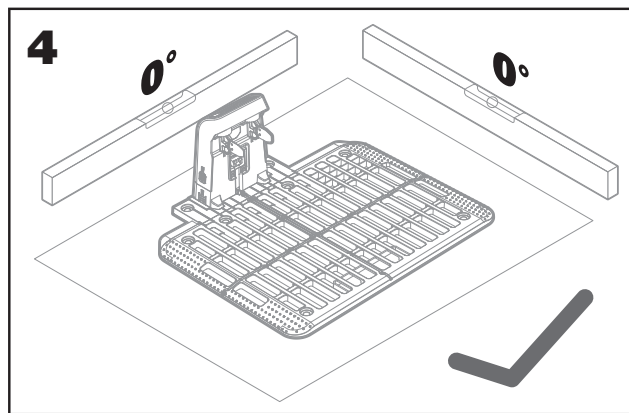
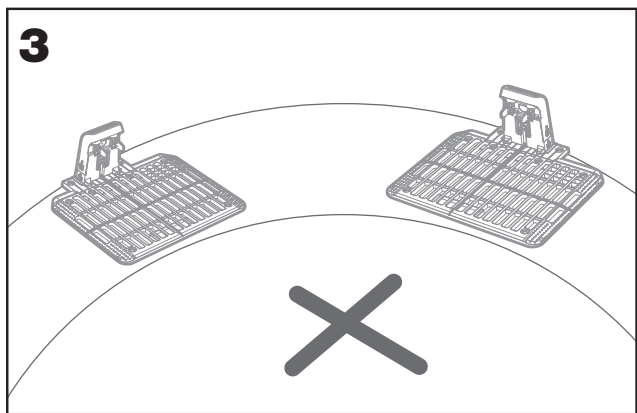
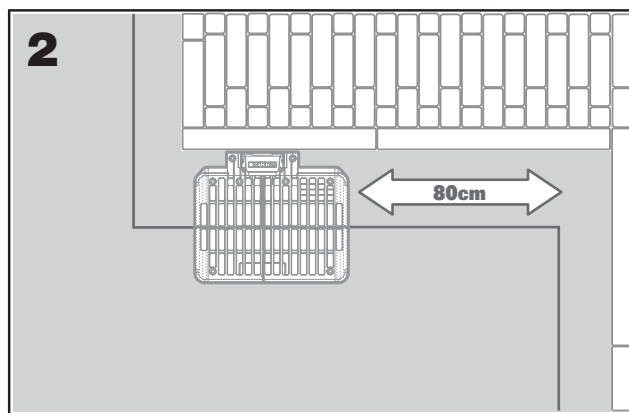
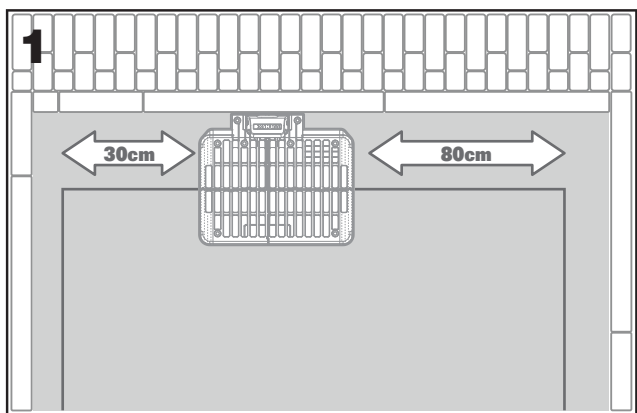
Landroid puni svoju bateriju na postolju za punjenje, sastoji se od utovarne hrpe i utovarne baze, To je također mjesto na kojem Landroid parkira između dviju košnji.

Pronađite odgovarajuće mjesto, uzimajući u obzir sljedeće:

- A. Postolje treba biti pod napajanjem, stoga ne smije biti dalje od 10 m od strujne utičnice.
- B. Ako je moguće, odaberite mjesto u sjeni jer baterije i punjači ne trpe pregrijavanje.
- C. Postolje mora biti na ravnoj podlozi kako bi se uređaj mogao pravilno priključiti.
- D. Izbjegavajte mjesta blizu prskalica za navodnjavanje

Postolje za punjenje možete postaviti na travnjak ili na tvrdu površinu kao što je pločnik, pod uvjetom da su travnjak i tvrda površina na istoj visini (bez stepenica).

Da bi ušao u postolje, ispred njega za Landroid treba biti najmanje 80cm ravne staze. Na izlaznoj strani potrebno je barem 30 cm ravne staze prije skretanja ulijevo (sl. 1). Ako je skretanje udesno, nije potreban ravni dio (sl. 2).

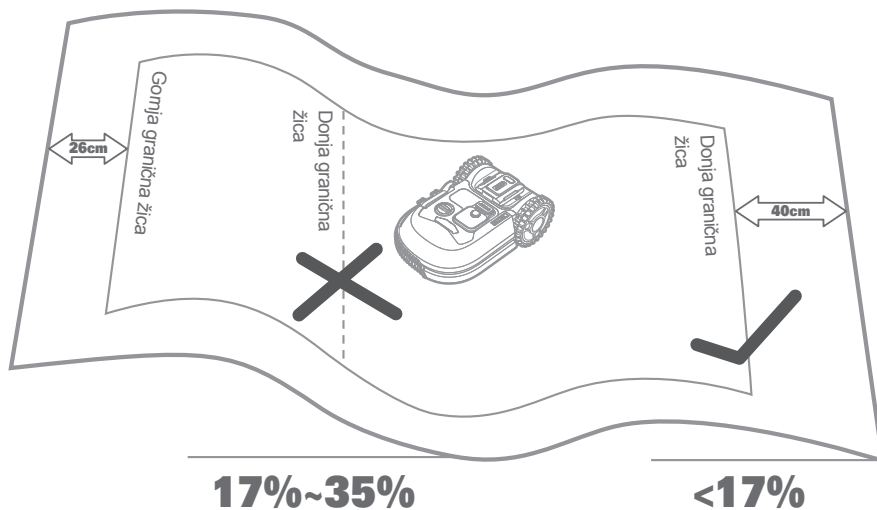


3. Popis za provjeru postolja za punjenje:

- A. unutar dosega strujne utičnice
- B. u sjeni
- C. ravna staza na ulazu, ravna staza na izlazu po potrebi
- D. ravna podloga
- E. bez prskalica za zalijevanje u blizini

4. Postavljanje granične žice na nagibima

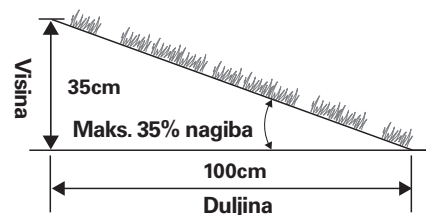
Gornja granična žica NE smije biti postavljena na nagibima strmijima od 35% (20°)*. Donja granična žica NE smije biti postavljena na nagibima strmijima od 17% (10°) i mora biti postavljena barem 40 cm od bilo kakve prepreke kada je na nagibu od 17%.



*Kako izračunati nagib travnjaka:

Stoga bi nagib bio:

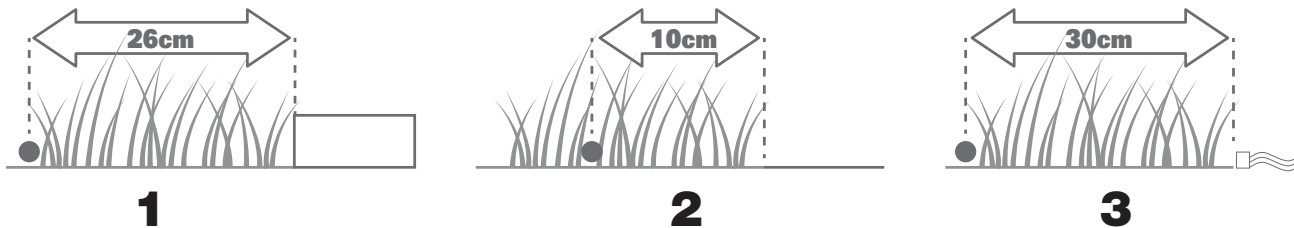
$$\frac{35 \text{ cm (Visina)}}{100 \text{ cm (Duljina)}} = 35\% \text{ (Nagib)}$$



5. Planirajte mjesto za graničnu žicu

Žicu treba postaviti na određenom razmaku od ruba travnjaka. Taj razmak ovisi o tome što se nalazi s druge strane ruba. Uvjeti s druge strane ruba travnjaka mogu biti različiti u pojedinim dijelovima travnjaka:

- A. Ako rub travnjaka graniči sa stepenicom: držite žicu 26 cm od ruba. (slika 1)
- B. Ako rub travnjaka graniči sa stazom iste visine: držite žicu 10 cm od ruba. (slika 2)
- C. Ako rub travnjaka graniči s bazenom: držite žicu 30 cm od ruba. (slika 3)



Ako vaš travnjak graniči sa susjedovim travnjakom na kojem je također u upotrebi robotska kosilica, postavite žicu barem 1 m od susjedove žice kako biste izbjegli smetnje.

PREGLEDAJTE TRAVNJAK

Landroid se može nositi i s najsloženijim travnjacima. Pregledajte travnjak kako biste osigurali jednostavno postavljanje granične žice.

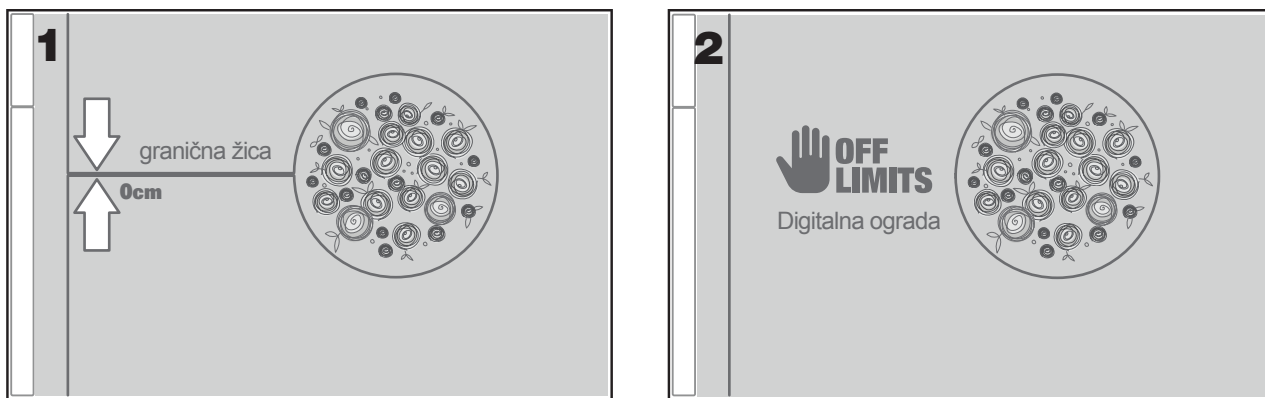
1. Identificirajte zabranjena područja

Ne biste željeli da robotska kosilica pokosi cvijeće, padne u vodu ili oguli korijen drveta koji viri iznad zemlje. Okružite ta područja graničnom žicom kako bi ih Landroid izbjegavao.

Granična žica je jedna petlja, čija su oba kraja povezana s postoljem za punjenje. Stoga žicu morate odvojiti od granice, okružiti područje koje želite zaštititi, a zatim žicu ponovo povezati s granicom (sl. 1).

Ako su područja koja želite okružiti daleko od granice travnjaka ili ako imate nekoliko područja i drveća koja želite zaštititi, ova uobičajena metoda vremenski je zahtjevna.

Sjajna alternativa je kupnja opcije Landroid Off-Limits. Ona omogućuje da jednostavno okružite zabranjena područja digitalnom ogradom Off-Limits, koja ne treba biti povezana s graničnom petljom (sl. 2). Digitalna ograda Off-Limits također je sjajna za zaštitu sezonske opreme (npr. trampolina) ili za zaštitu novih promjena u rasporedu travnjaka bez potrebe za premještanjem granične žice.



2. Identificirajte prepreke

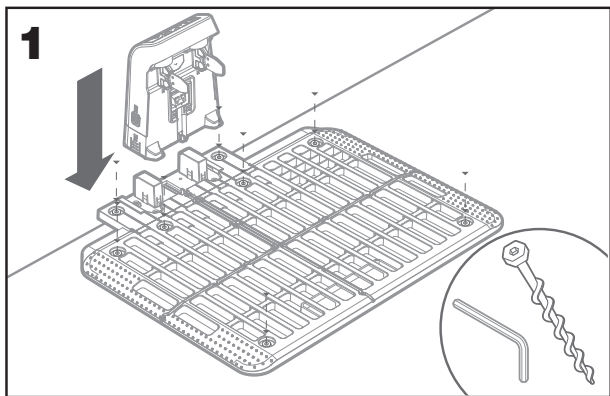
Senzor prepreka kosilice Landroid može prepoznati čvrste prepreke kao što su drveća, namještaj i sl., koje ne treba okruživati žicom. Ako se na vašem travnjaku nalazi više prepreka jedna blizu druge, preporučujemo da kupite opciju Landroid ACS, pametni ultrazvučni autopilot koji omogućuje da Landroid zaobilazi prepreke, umjesto da se od njih odbija.

A SAD ZASUČITE RUKAVE. BIT ĆE GOTOVO KAD BUDE GOTOVO!

Sada kad ste isplanirali sve pojedinosti instalacije, spremni ste za akciju. Prije početka rada, možete posljednji put upotrijebiti svoju staru kosilicu kako biste očistili travnjak i učinili instalaciju jednostavnijom.

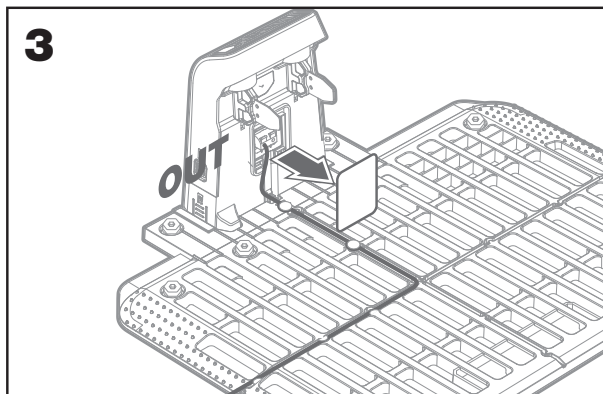
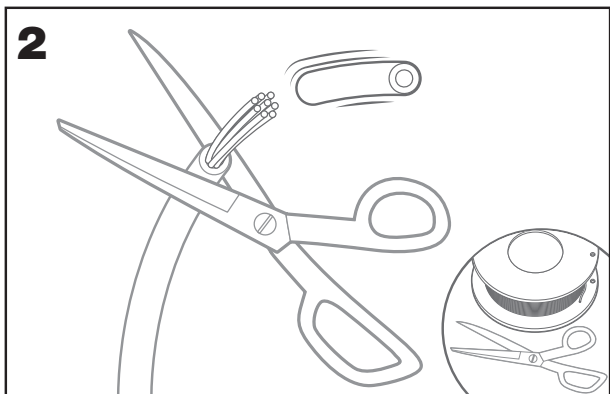
1. Postolje za punjenje učvrstite na odabranoj lokaciji

- A. Umetnite hrpu za punjenje u podnožje za punjenje. Zatim priloženim šesterokutnim ključem pričvrstite stanicu za punjenje na tlo priloženim vijcima (slika 1)
- B. Ako postavite postolje na tvrdu površinu, učvrstite ga klinovima i vijcima (nisu isporučeni).



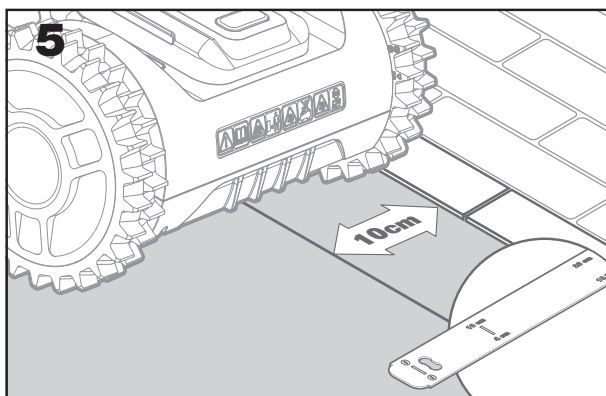
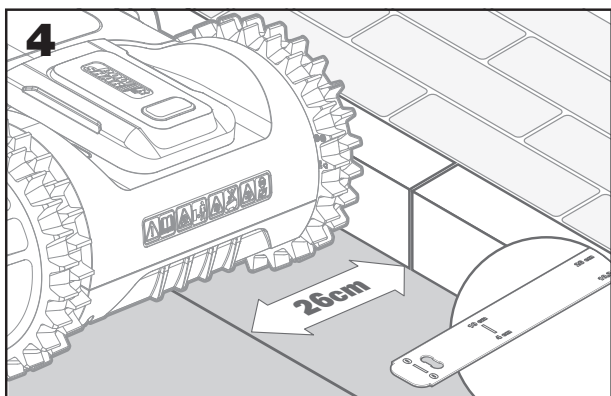
2. Povežite jedan kraj granične žice s postoljem za punjenje

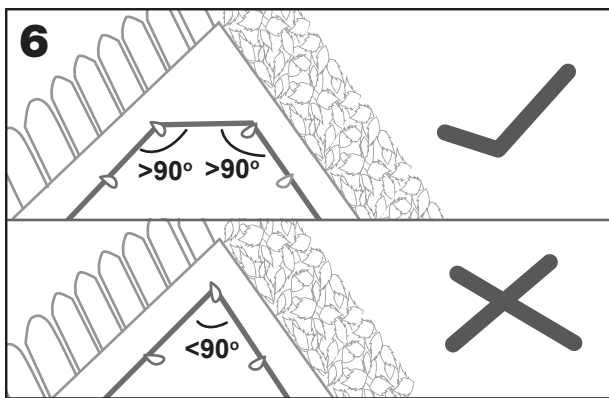
- A. Ogulite kraj žice škarama (s. 2)
- B. Otvorite plastična vrata i umetnite oguljeni kraj u lijevu crvenu stezaljku (sl. 3)
- C. Provučite žicu kroz vodilicu u postolju (sl. 3)



3. Položite graničnu žicu oko travnjaka

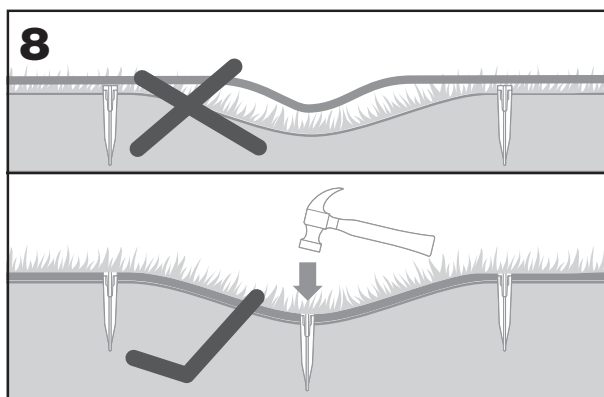
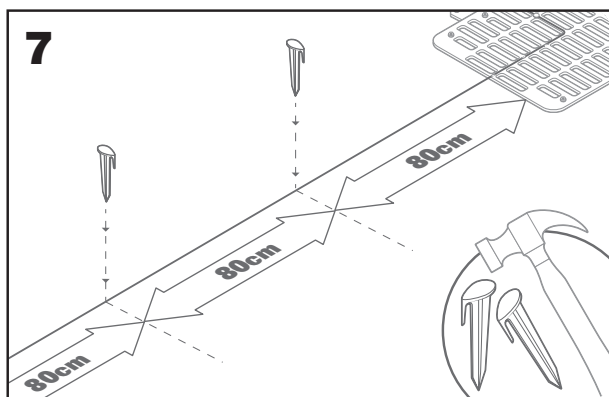
- A. Upotrijebite isporučeni mjerac kako biste podesili razmak od žice do ruba
- B. Ako se na rubu travnjaka nalazi stepenica, žica treba biti odmaknuta 26cm (sl. 4).
- C. Ako nema stepenica, žica treba biti odmaknuta 10 cm od ruba (sl. 5).
- D. Osigurajte da je granična crta na svakom uglu potpuno ravna i da je kut granične crte veći od 90 °.





4. Pričvrstite žicu za tlo pomoću klinova

- A. Postavite klinove na međusobnom razmaku od oko 80 cm (sl. 7)
- B. Žica uvijek treba biti priljubljena uz tlo (sl. 8)

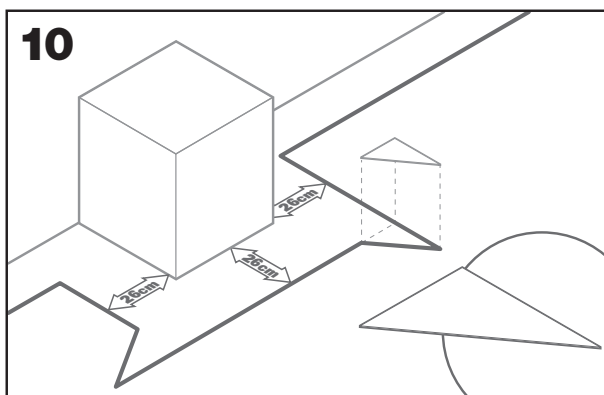
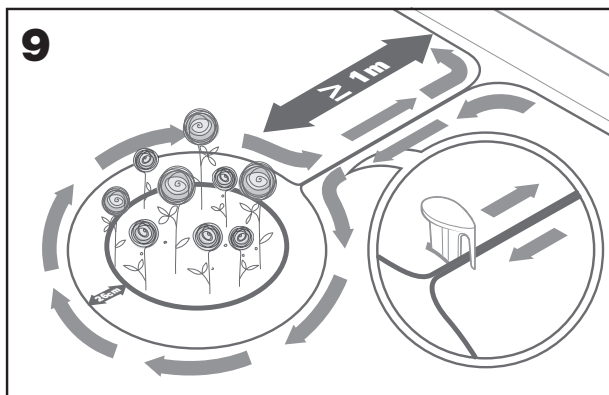


5. Po potrebi oblikujte „otoke“ za zaobilazanje

- A. Zaštite cvjetnjake, jezera, korijene drveća i druga područja tako da ih okružite graničnom žicom.
- B. Provedite žicu pod pravim kutom od ruba do područja koje želite zaštititi.
- C. Okružite područje žicom, održavajući razmak od 26 cm dok ne zatvorite „otok“.
- D. Žicu uvijek postavljajte u smjeru kazaljke na satu. Kosilica će u suprotnom ulaziti na područje „otoka“.
- E. Vratite se na rub travnjaka istim putem.

6. Bertelsen metoda: kako postići savršene kuteve od 90° s uglovima okrenutima prema travnjaku

Ako na vašem travnjaku postoje uglovi od 90 stupnjeva, okrenuti prema njegovoj unutrašnjosti, upotrijebite Bertelsen ravnalo kako bi Landroid savršeno skretao (bez rizika da će naići na prepreku na rubu travnjaka dok izvodi taj manevar).



7. Zatvorite petlju

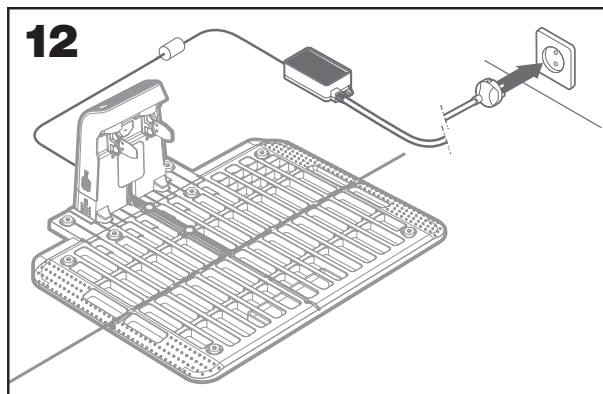
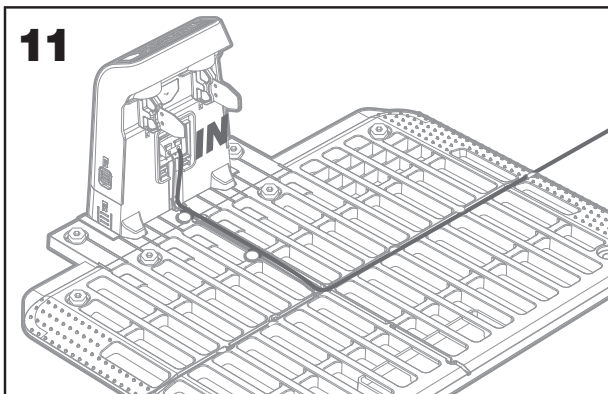
Kada završite postavljanje žice po rubu travnjaka, ponovo ćete biti na lokaciji postolja za punjenje.

- A. Provucite žicu kroz vodilicu u postolju do stezaljke (sl. 11).
- B. Odrežite višak žice i ogulite kraj škarama.
- C. Umetnite oguljeni kraj u desnu crnu stezaljku.

8. Završni postupci

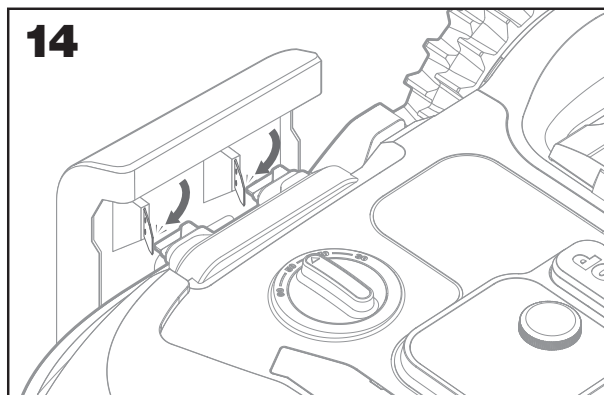
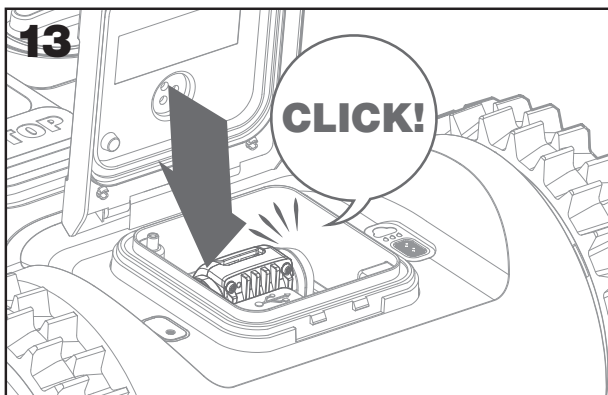
Dosadni dio je završen! Preostalo je još samo nekoliko koraka:

- A. Priključite postolje za punjenje na utičnicu mrežnog napajanja (sl. 12).
- B. Ako je sve u redu, pali se zelena lampica.
- C. Ako postoji problem u petlji, kao što je prekinuta žica ili krajevi žice koji nisu pravilno pritegnuti, pali se crvena lampica. Provjerite je li sve u redu i pregledajte odjeljak često postavljanih pitanja ako se problem nastavi.



D. Otvorite stražnji dio Landroida i umetnite bateriju PowerShare u utor tako da „klikne“ (sl.13).

E. Postavite Landroid na punjač i provjerite je li u dobrom kontaktu s postoljem (sl. 14). Treperi zelena lampica. Kada je baterija potpuno napunjena, zelena lampica ravnomjerno svijetli.



F. Ostavite Landroid neko vrijeme na punjaču. Dok se Landroid puni, napravite zasluženu pauzu. Upoznajte se sa sljedećim uputama i povežite Landroid s Wi-Fi mrežom.

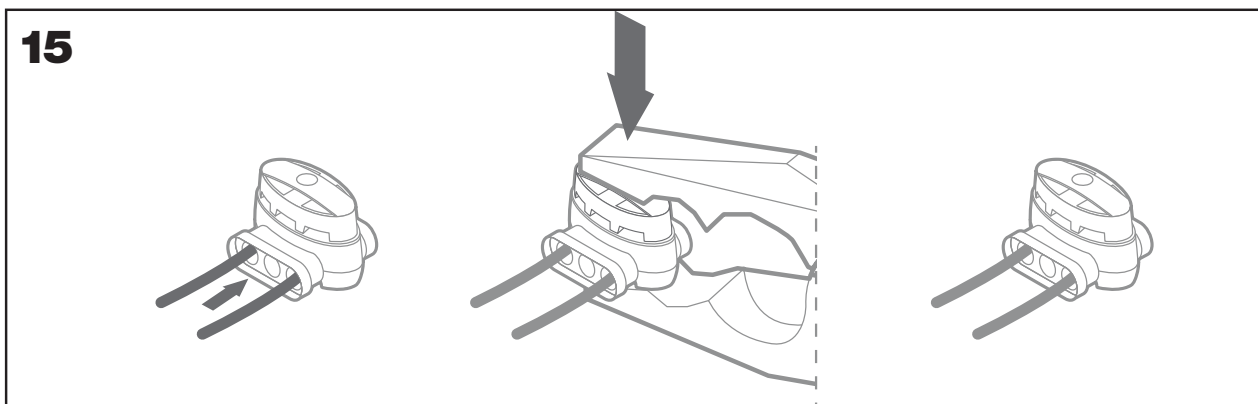
9. Spajanje granične žice

Isporučena su dva vodootporna priključka granične žice. Oni se mogu upotrijebiti na sljedeći način:

- A. Ako je vaš travnjak velikog opsega i treba vam dodatna granična žica kako biste dovršili instalaciju. Pazite da granična žica ne bude dulja od 300m. To je njezina maksimalna duljina (tj., maksimalni opseg travnjaka).
- B. Ako se granična žica slučajno prereže i potrebno ju je popraviti.
- C. Ako naknadno odlučite preurediti vrt i trebate prilagoditi izvornu instalaciju granične žice.

Priključci su vodootporni i omogućuju optimalno električno povezivanje.(Fig.15).

- A. Umetnite oba kraja žice u dva od tri otvora priključka. Nije potrebno guliti žice.
- B. Potpuno umetnite žice tako da oba kraja žica budu vidljiva s druge strane priključka.
- C. Čvrsto pritisnite priključak pomoću kliješta.



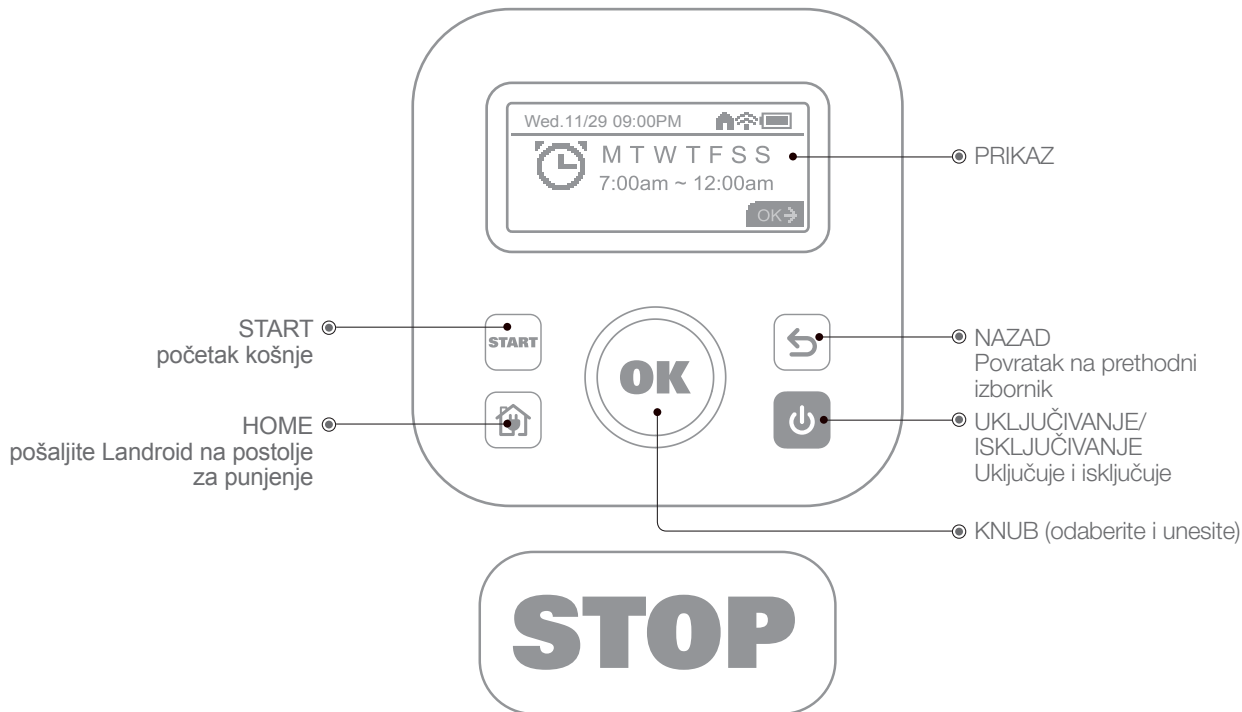
⚠ Pažnja: Ne preporučuje se razdjeljivanje granične žice izolir-trakom ili upotreba priključnog bloka s vijcima. Nakon nekog vremena može doći do prekida strujnog kruga jer vlaga iz tla može uzrokovati oksidaciju žice.

A SADA, UZBUDLJIVI DIO! PRVI PUT POKRENITE LANDROID.

Upoznajte se s upravljačkom pločom

Upravljačka ploča Landroida sadrži ključne funkcije u minimalističkom formatu.

Za napredne funkcije, besplatna aplikacija Landroid sadrži dodatne opcije u bogatijem sučelju: vašem pametnom telefonu.



Pokrenite Landroid

A. Postavite Landroid unutar granične žice.

B. Držite pritisnutu tipku za e dok se zaslon ne uključi. Zatim utisni PIN kod.

C. U smjeru kazaljke na satu rotirajte da biste odabrali broj i kratki pritisnite da biste potvrdili jedan po jedan. Na ekranu će se prikazati "PIN šifra točna"

D. Pritisnite tipku , a zatim pritisnite . Landroid će započeti s košnjom.

E. Landroid možete zaustaviti u bilo kojem trenutku tako da pritisnete tipku .

F. Da biste Landroid poslali na postolje za punjenje, pritisnite tipku , a zatim pritisnite .

Napomena: Zadani PIN kôd je 0000

UPRAVLJAČKA PLOČA LANDROIDA

Napredne funkcije putem ugrađenog sučelja

Usprkos njezinom minimalističkom dizajnu, putem ugrađene upravljačke ploče možete podesiti nekoliko naprednih funkcija.

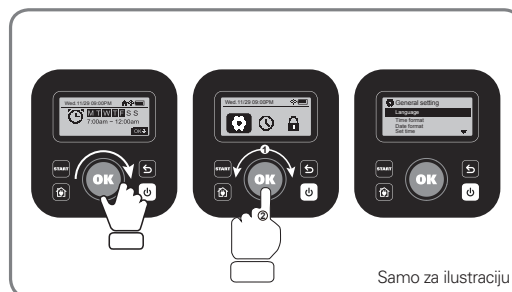
Međutim, za najbolje korisničko iskustvo preporučujemo da upotrijebite besplatnu aplikaciju Landroid, koja pruža mnogo bogatije i intuitivnije sučelje.

1. Postaviti

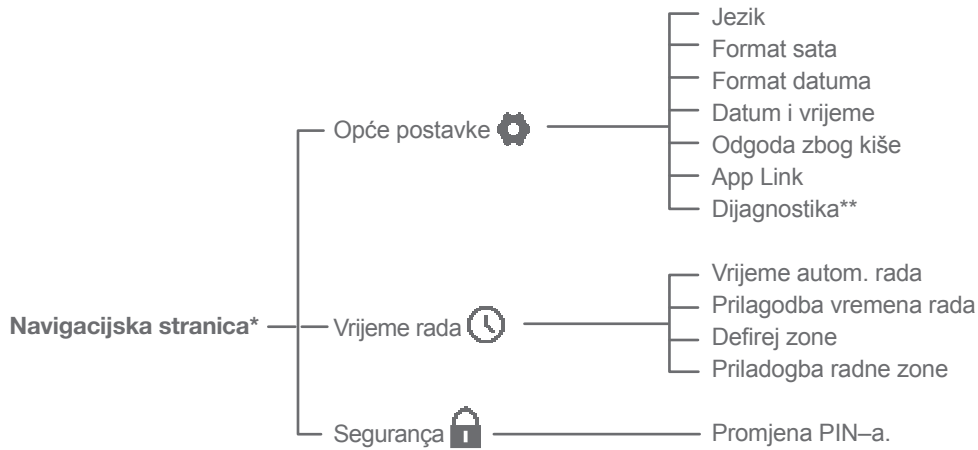
A. Okrenite u smjeru kazaljke na satu za ulazak u postavku

B. Zatim okrenite za odabir "Opće postavke " / "Radno vrijeme " / "Sigurnost ", kratko pritisnite za ulazak.

C. Koristite istu metodu za poduzimanje daljnjih mjera.



Samo za ilustraciju

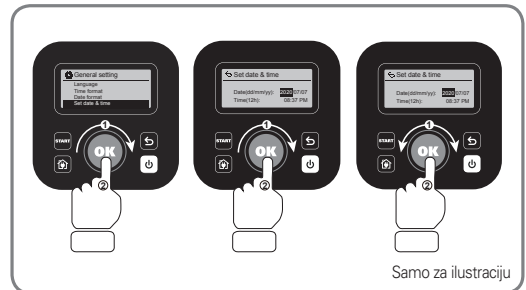


* Neprestano se ažurirajte u skladu s verzijom softvera.

** Samo za servis nakon prodaje

2. Postavite datum i vrijeme

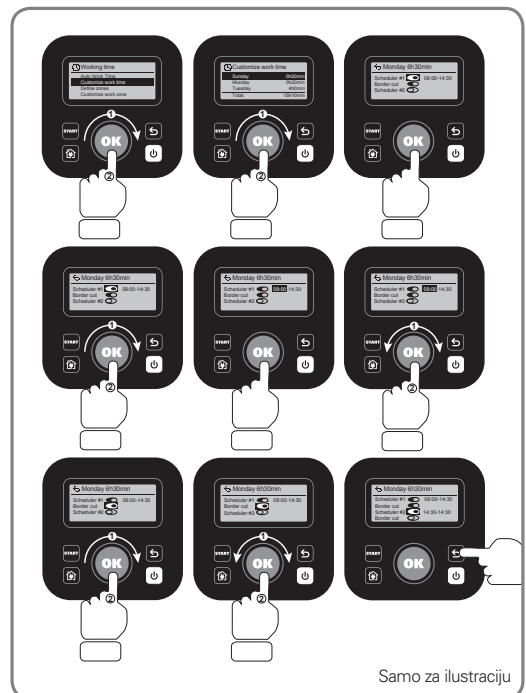
- Povratak na "Opće postavke"
- Rotirajte u smjeru kazaljke na satu **OK** "Postavi datum i vrijeme", a zatim kratko pritisnite za ulazak.
- Zatim zakrenite u smjeru kazaljke na satu **OK** Odaberite "Dan" i Kratki tisak. Odabrani broj će treptati.
- Sljedeće, Rotiraj **OK** za odabir broja i kratko pritisnite za potvrdu. Upotrijebite istu metodu da biste dovršili "Mjesec / Godina / Vrijeme".



3. Prilagođeno radno vrijeme

- Povratak na "radno vrijeme"
- Rotiraj u smjeru kazaljke na satu **OK** Idite na "Prilagođeno radno vrijeme", a zatim kratko pritisnite za ulazak.
- Rotiraj u smjeru kazaljke na satu **OK** Odaberite dan u tjednu, a zatim kratko pritisnite.
- Zatim pritisnite za ulazak u postavku.
- Zakrenite u smjeru kazaljke na satu **OK** da biste aktivirali "Raspored # 1 *". Kratki pritisak **OK** za potvrdu.
- Dalje, rotacija u smjeru kazaljke na satu **OK** Odaberite vrijeme početka "sat / minuta", a zatim kratko pritisnite za ulazak u postavku. Odabrani broj će treptati.
- Zakrenite **OK** da biste odabrali vrijeme početka koje želite da LANDROID obreže na određeni datum, a zatim kratko pritisnite za potvrdu. Upotrijebite istu metodu za dovršavanje vremena zaustavljanja.
- Nakon toga, rotacija u smjeru kazaljke na satu **OK** i kratki pritisak za ulaz u postavku "rezanje okvira".
- Zakrenite **OK** da biste odabrali hoće li se aktivirati "Border Cut", a zatim kratko pritisnite za potvrdu.
- Ako želite postaviti "Raspored 2 **", upotrijebite istu metodu kao gore.
- Pritisnite **↶** i na isti način postavite radno vrijeme ostalih radnih dana.

* Dva rasporeda mogu se postaviti u jednom danu.



4. Prilagođavanje radnog vremena

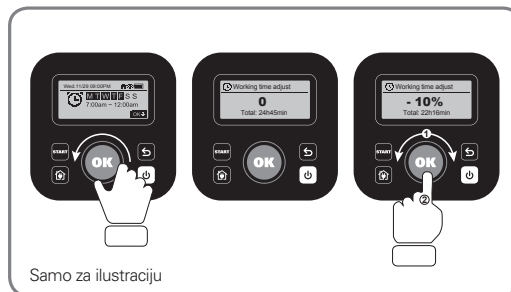
Možete brzo prilagoditi radno vrijeme u tjednu. Povećanje / smanjenje vremena ravnomjerno će se rasporediti na potrebne radne dane

A. Vratite glavni zaslon.

B. Rotirajte u smjeru suprotnom od kazaljke na satu **(OK)** Da biste aktivirali podešavanje radnog vremena.

NOTE: Ukupno vrijeme temelji se na prilagođenom radnom vremenu i može se prilagoditi u gradijentu od 10%.

C. Zatim zakrenite **(OK)** za podešavanje i kratko pritisnite za potvrdu.

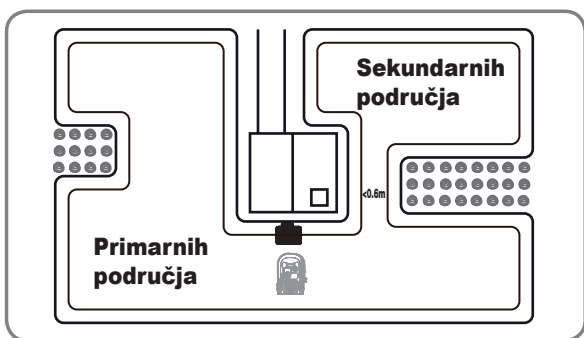


Samo za ilustraciju

5. Postavka pojedinačnog reza

Ako vaš travnjak ima više područja povezanih hodnicima, širina bi trebala biti najmanje 0,6 m . Ako je hodnik uži od 0,6 m , Landroidu će biti teško kretati se između njih. U tom se slučaju preporučuje postavljanje primarnih i sekundarnih površina na travnjaku. Graničnu crtu treba postaviti kako je prikazano.

Za fleksibilne radne postavke (hoće li se vratiti na stanicu za punjenje i hoće li se izrezati okvir), posebno kada se Landroid nalazi u pomoćnom području bez stanice za punjenje, Vremena smanjena.



- Postavite Landroid unutar granične crte.
- Kad je vaš Landroid povezan s bazom za punjenje .

A. Vratite glavni zaslon.

B. Brzo pritisnite **(START)** tri puta.

C. Rotiraj u smjeru kazaljke na satu **(OK)** Odaberite “Kućni poklon? - DA / NE “ (bez obzira na stanica za punjenje je li u ovom području), a zatim kratko pritisnite za ulazak u postavku. Odabrana će riječ treptati, a zatim kratko pritisnite za potvrdu.

D. Zatim okrenite **(OK)** Odaberite “Omogući rezanje ivica da / ne” (hoće li se rezati granice), a zatim kratko pritisnite. Odabrana će riječ treptati, a zatim kratko pritisnite za potvrdu. Zatim istom metodom upotpunite “radno vrijeme”.

E. Zatim zakrenite u smjeru kazaljke na satu **(OK)** Odaberite “Start”, a zatim kratko pritisnite za početak obrezivanja

Pažnja: Landroid će se vratiti na Stanicu za punjenje Za punjenje baterije Ponestaje vremena ili je vrijeme potrošeno. Ako se Landroid potpuno napuni i postavljeno vrijeme nije isteklo, Landroid će nastaviti kositi do kraja vremena.

- Kada je Landroid isključen sa Stanice za punjenje ,

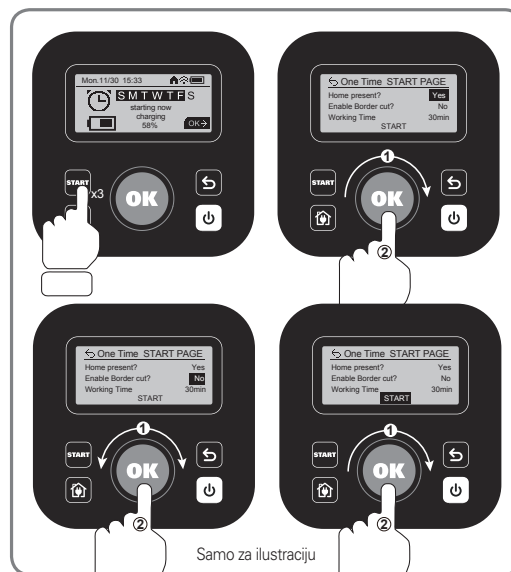
A. Vratite glavni zaslon.

B. Brzo pritisnite **(START)** tri puta.

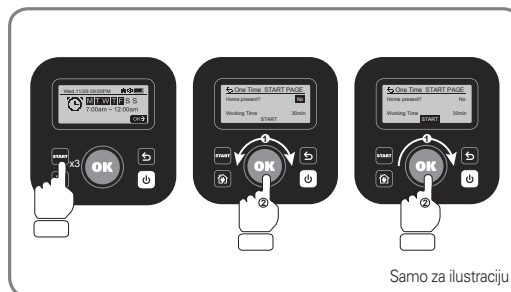
C. Rotiraj **(OK)** Odaberite “Kućni poklon? - DA / NE “ (Stanica za punjenje Bilo da je u ovom području) i kratko pritisnite Unesite postavke . Odabrana će riječ treptati, a zatim kratko pritisnite za potvrdu. Upotrijebite istu metodu za dovršavanje “radnog vremena”.

D. Zatim okrenite u smjeru kazaljke na satu **(OK)** Odaberite “Start”, a zatim kratko pritisnite da biste započeli obrezivanje

Napomena: Kada se vaš Landroid nalazi u glavnom području (obično se nalazi u punionici), vratit će se stanica za punjenje koristi se za punjenje kada se baterija istroši ili vrijeme rezanja istekne. Ako se Landroid potpuno napuni i postavljeno vrijeme nije isteklo, Landroid će nastaviti kositi do kraja vremena. Kad je vaš Landroid u sekundarnom području, prestat će kositi i ostati tamo gdje je kad se baterija isprazni, dođe vrijeme rezanja, Landroid naiđe na neke probleme (na primjer, pad i druge) ili ručno pritisnite “STOP” .



Samo za ilustraciju



Samo za ilustraciju

POVEZIVANJE LANDROIDA S INTERNETOM

ZAŠTO POVEZATI LANDROID

Vaš Landroid može se povezati putem Wi-Fi-ja ili Bluetootha. Landroid je uređaj tipa IoT (Internet of Things). Kako biste iskoristili sve funkcije svog Landroida i održali ga ažuriranim uz najnovije verzije softvera, potrebno ga je povezati s internetom putem Wi-Fi mreže.

PRIJE POČETKA

1. Preuzmite aplikaciju

Prvo preuzmite besplatnu aplikaciju Landroid. Nabavite je u trgovini aplikacija za Android i Apple.

2. Provjerite imate li:

- A. Lozinku svoje Wi-Fi mreže / Bluetooth funkcija na pametnom telefonu.
- B. Serijski broj Landroida: pronaći ćete ga na oznaci ispod stražnjeg poklopca uređaja.

Ako ne želite upisivati 20-znamenkasti serijski broj, unestite ga skeniranjem QR-šifre kamerom pametnog telefona.

3. Provjerite postavke

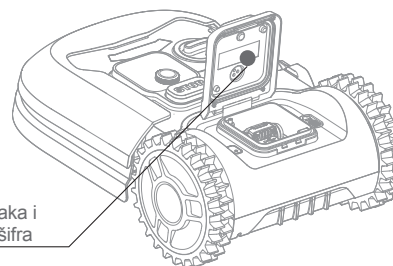
Wi-Fi veza

- A. Landroid radi uz Wi-Fi signal od 2,4 GHz.
- B. Provjerite je li Landroid povezan na isti usmjerivač kao i vaš pametni telefon.
- C. Pobrinite se da udaljenost između Landroida, pametnog telefona i usmjerivača bude što manja tijekom povezivanja.

Savjet: ako Landroid dođe u područje travnjaka sa slabim Wi-Fi signalom, naredbe poslane iz aplikacije izvršit će se tek kada ponovo dođe područje s dobrim signalom.

Bluetooth veza

- A. Aktivirana je Bluetooth funkcija na pametnom telefonu.
- B. Provjerite je li vaš Landroid na udaljenosti koju je moguće povezati.

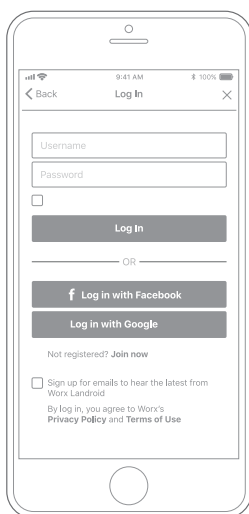


Oznaka i QR-šifra

POVEZIVANJE LANDROIDA S INTERNETOM

Pokrenite aplikaciju i slijedite ove upute.

1. Registrirajte svoj račun.



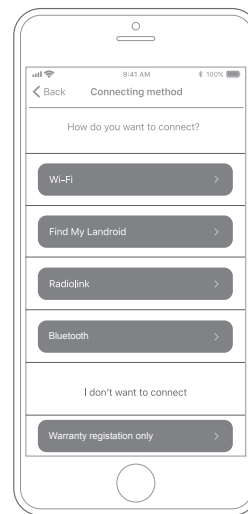
Registrirajte račun tako da upišete svoje korisničko ime i lozinku ili se prijavite putem Facebooka ili Googlea.

2. Unesite serijski broj Landroida.



Registrirajte svoj Landroid tako da unesete serijski broj ručno ili skeniranjem QR šifre.

3. Odaberite vezu.



Odaberite svoju Wi-Fi mrežu ili Bluetooth ili se možete povezati s Landroidom tražeći moju Landroid ili RadioLink opciju.

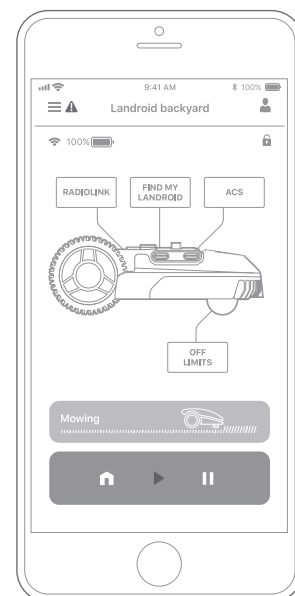
Ako WiFi signal ne pokriva cijeli travnjak, možete kupiti opciju Landroid Radio Link, koja povećava domet signala do 300m. Ili kupite opciju Find My Landroid koja, osim što povezuje Landroid s internetom putem ugrađene SIM kartice, također omogućuje njegovo praćenje u slučaju krađe.

APLIKACIJA LANDROID VIŠE OD DALJINSKOG UPRAVLJANJA

Nemojte o njoj razmišljati kao o daljinskom upravljaču. Ova aplikacija integralni je dio naprednog ekosustava Worx Landroid, koji se temelji na računalstvu „na oblaku“ i umjetnoj inteligenciji.

Zahvaljujući značajci proširene stvarnosti u aplikaciji, možete točno izmjeriti površinu travnjaka. Dovoljno je prošetati se duž granica travnjaka.

Mnogi čimbenici utječu na stopu rasta trave. Landroid ih kombinira kako bi odredio najbolji tretman za vaš travnjak. Dan za danom



⚠ ADVARSEL: Læs alle sikkerhedsadvarslerne og alle vejledninger. Følges advarslerne og instruktionerne ikke, kan det føre til elektrisk stød, brand og/eller alvorlig personskade.
Læs alle vejledninger omhyggeligt, så denne maskine betjenes på en sikker måde.
Gem alle advarsler og vejledninger til senere brug.

HVORDAN VIRKER LANDROIDEN

I det følgende afsnit vil vi gerne hjælpe dig til en bedre forståelse af, hvordan Landroiden fungerer. Landroiden er en autonom maskine, der er i stand til at operere på egen hånd. Landroiden ved selv, hvornår den skal køre til sin ladestation. Den registrerer selv, hvornår det regner. Den stopper af sig selv, hvis den registrerer et problem, og den er i stand til selv at stoppe, bakke og vende rundt, hvis den støder ind i noget, der spærrer dens vej. For at undgå ulykker stopper Landroiden automatisk drejeskivens rotation, hvis den løftes op fra jorden.

Oplader selv



Din Landroid stopper med at klippe, når den skal genoplades, og den vil følge grænsekablet mod urets retning tilbage til ladestationen. Når opladningen er fuldstændt, fortsætter Landroiden automatisk græsslåningen, eller, i henhold til dens klippeplan, forbliver den på ladestationen.

Kantområde-styring



Landroid er programmeret til at trimme græs langs omkredsen af græsplænen to gange om ugen på Mandage og Fredage. Hvis du vil ændre denne standard indstilling, kan du ændre det via din smartphone eller ved at bruge kontrolpanelet i menuerne "Arbejdstid-Tilpas arbejdstid" (Arbejdstid-Tilpas Arbejdstid).
 Se nærmere instruktioner i slutningen af denne vejledning.

Regnsensor



Landroiden er 100% vejrbestandig og glad for at være udenfor. Men du får ikke det smukkeste eller bedste resultat, når du klipper vådt græs. Landroiden er udstyret med en regnsensor til registrering af regnvejr, som fortæller Landroiden, at den skal standse græsslåningen og køre tilbage til ladestationen.

Forsinket start ved regnvejr



Landroiden starter først, efter det har regnet, når græsset ikke længere er vådt. Standardindstillingen for forsinket start ved regnvejr er 180 minutter. Du kan ændre indstillingen Forsinket start ved regnvejr via Landroid-appen.

mere ekstremt vejr



Du skal beskytte Landroiden under tordenvejr ved at tage stikket ud af ladestationen, frakoble grænsekablet og sikre, at Landroiden ikke kan oplade batteriet. Vi anbefaler, at du om vinteren, og specielt i tilfælde med meget koldt vejr og sne, opbevarer Landroiden indendørs. I nogle lande tilbyder vi et vintereftersyn af din Landroid, så den er klar til forårets vækstsæson. Kontakt din forhandler eller check online for nærmere oplysninger.

Slut med at opsamle afklippet græs

De meget korte afklippede græsstrå fra Landroidens daglige græsslåning, behøver ikke at blive revet sammen. Disse afklipninger er perfekte som organisk næringsstof til din græsplæne. Hyppig græsslåning øger tætheden i græsset og forhindrer udbredelsen af ukrudt effektivt.

Klip til kanten

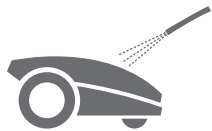
De særligt forskudte knivblade kommer så tæt som muligt på yderkanten af din græsplæne, hvilket betyder ingen eller kun lidt manuel kanttrimning.

Klippehøjde

Inden du starter din Landroid for første gang, skal du sørge for, at dit græs ikke er længere end 10 cm. Hvis det er længere, skal du bruge en almindelig plæneklipper til at klippe det, inden du bruger Landroiden. Hvis du vil forkorte græshøjden drastisk, anbefales det, at gøre det progressivt ved at justere klippehøjden ad flere omgange.

Sikkerhed og PIN-beskyttelse

For at forhindre uautoriserede personer i at kunne bruge Landroiden, er den beskyttet med en pinkode, som du nemt kan konfigurere.

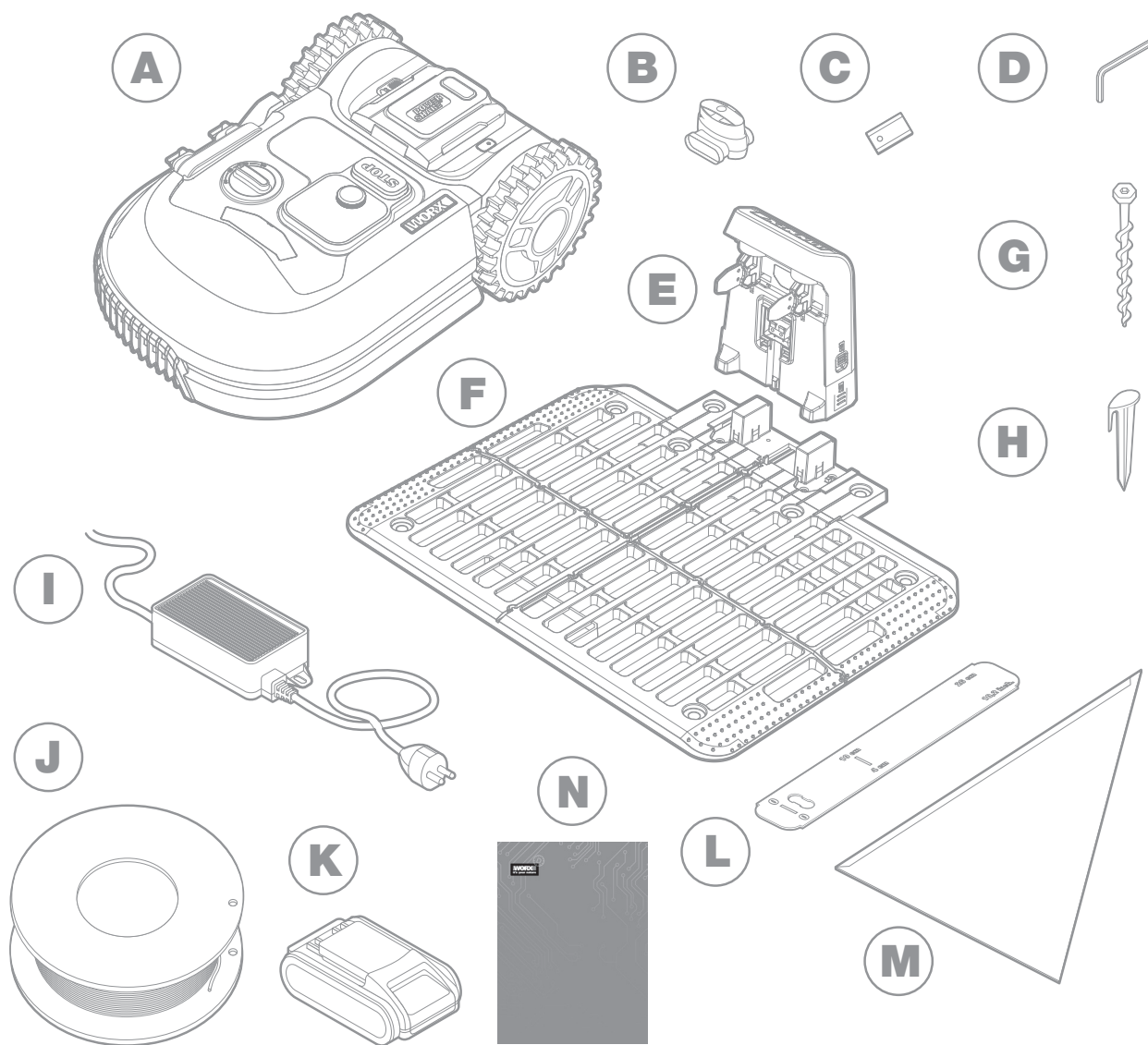
Let at rengøre

Takket være IPX5-vandtæt funktion slipper Landroid det støv, græs og det barske miljø, der opstår under arbejdet. Få Landroid til at se ud og præstere bedre.

Jordspor

Med det nye automatiske liftdesign kan bladene løftes automatisk for at give større frihed. Dette hjælper Landroid med at undgå visse situationer, der blokerer for andre plæneklippere.

HVAD ER DER I KASSEN



Billedet er kun til reference

- A** Worx Landroid

- B** Reparationsstik til grænsekablet

- C** Knivblade reservekit

- D** Hex-nøgle

- E** Ladestation

- F** Opladningsbunke

- G** Skruer

- H** Pløkker til grænsekabel

- I** Strømforsyning

- J** Grænsekabel

- K** 20V Batteri

- L** Afstandsmålere til grænsekablet

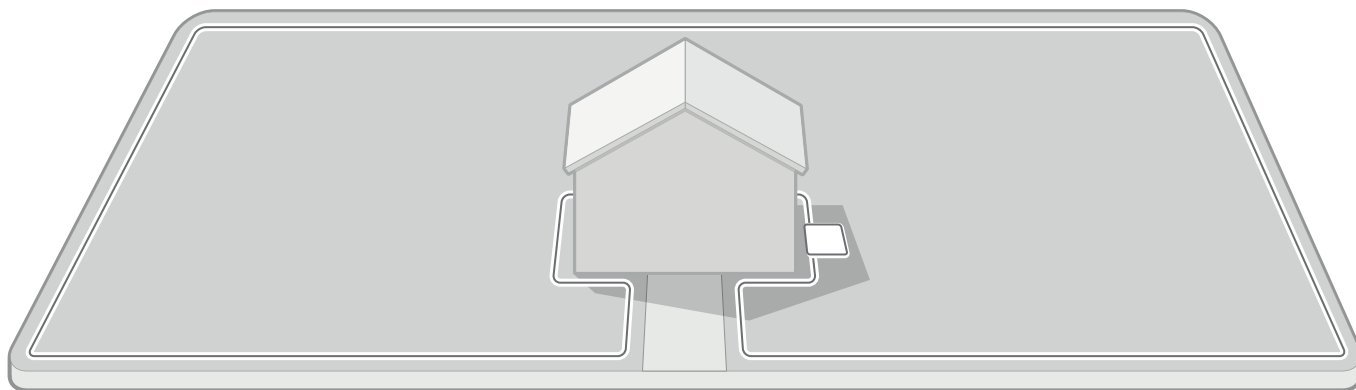
- M** Bertelsen målestok

- N** Håndbog

INSTALLATION

Installation af din Worx Landroid er nemmere, hvis du følger disse instruktioner omhyggeligt. Det drejer sig kun om, at installere ladestationen og lægge græsekablet rundt om hele din græsplæne. Ud over denne vejledning, kan du bruge Kom-godt-i-gangvejledningen, der findes inde i kassen samt se de omfattende, vejledende videoer på vores YouTube-kanal*.

* Disse oplysninger gives for bekvemmelighedens skyld, men erstatter ikke instruktionsvejledningen og sikkerhedsanvisningerne, der skal læses og forstås.



Tjek din græsplæne for at planlægge installationen

Installer ladestationen

Læg græsekablet

Tilslut strøm til ladestationen

Opstart af Landroiden. Test og klargøring

FOR HVERT MINUT BRUGT PÅ PLANLÆGNING SPARES 10 MINUTTER I UDFØRELSE

Installering af Landroiden er endnu nemmere, hvis du har en tydelig ide om, hvad der skal gøres. Korrekt planlægning hjælper dig med at undgå fejl og at skulle tilpasse installationen, når den er færdig.

1. Over eller under jorden?

Landroidens græsekabel er designet til at ligge på overfladen af din græsplæne. Næsten usynlig fra den første dag, for derefter at forsvinde ned i jordoverfladen efter et par uger. Hvis du vil nedgrave græsekablet, anbefales det, at teste om installationen virker, ved at lade Landroiden køre en testkørsel langs græsekablet, inden græsekablet dækkes med jord. Dette giver dig mulighed for nemt at kontrollere alt og om nødvendigt ændre layoutet, før du nedgraver græsekablet. Græsekablet må kun graves nogle få centimeter ned, for at sikre et godt signal.

2. Planlægning af ladestationen

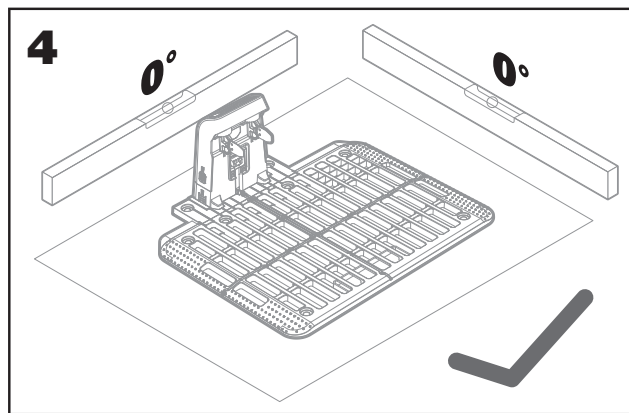
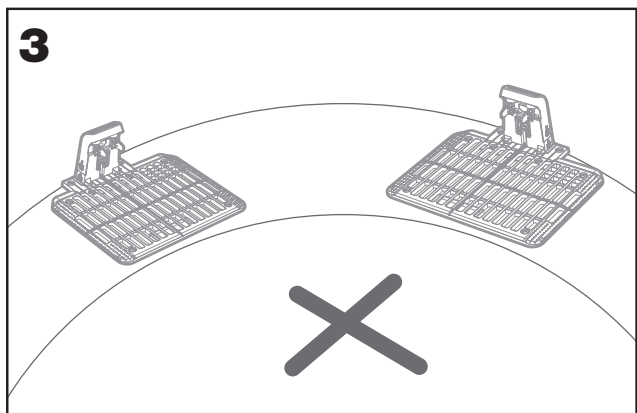
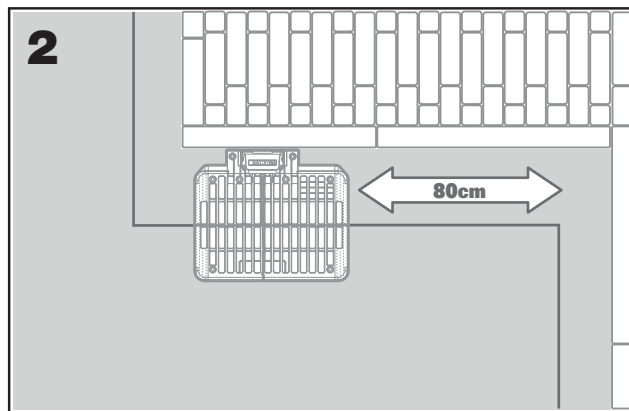
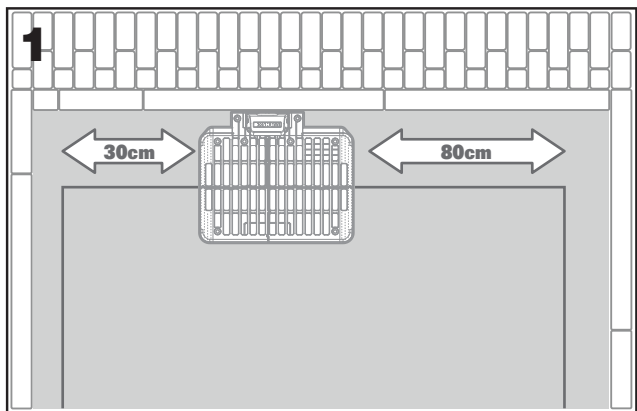
Ladestationen, bestående af en påfyldningsbunke og en påfyldningsbase, er hvor din Landroid kører hen for at få batteriet opladet. Det er også en parkeringsplads, hvor den hviler mellem græs slåninger.

Find et passende sted til den, men husk:

- A. Den skal have strøm, så den bør ikke være mere end 10 meter fra en stikkontakt
- B. Hvis muligt, skal du vælge et sted hvor der er skygge, eftersom batterier og ladere ikke kan lide at blive overophedet
- C. For at sikre effektiv docking, skal ladestationen placeres på et plant underlag
- D. Undgå steder tæt på havesprinklere

Du kan placere ladestationen på din græsplæne eller på en hård overflade, såsom en gangsti, forudsat at græsplænen og den hårde overflade er på samme højdeniveau.

Landroiden skal have en 80 centimeters passage foran ladestationen, til at kunne køre op på den. På udkørselssiden skal den bruge mindst 30cm lige passage inden et venstresving (fig. 1). Hvis svinget er til højre, er der ikke brug for nogen lige passage (fig. 2).

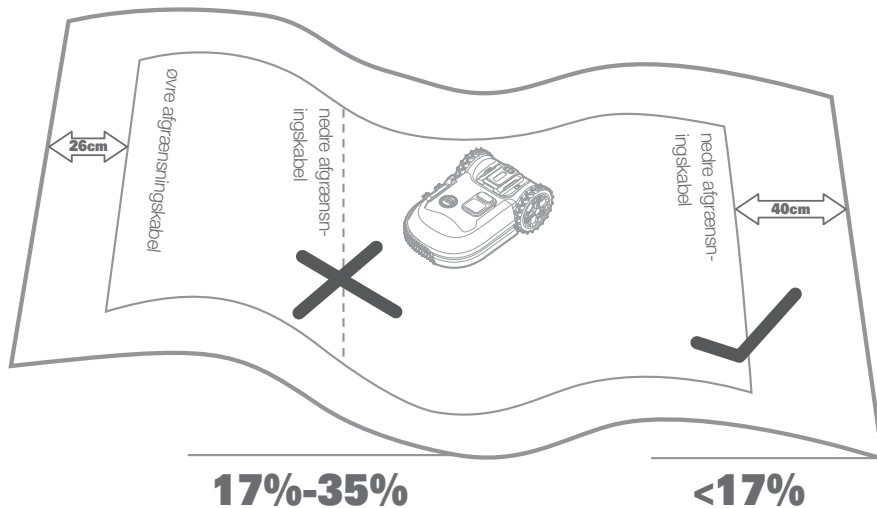


3. Tjekliste for ladestation:

- A. Inden for rækkevidde af strømforsyning
- B. I skyggen
- C. Lige passage ved indkørsel; lige passage ved udkørsel, hvis nødvendigt
- D. Plant underlag
- E. Ingen havesprinklere i nærheden

4. Placering af afgrænsningskabler på skråninger

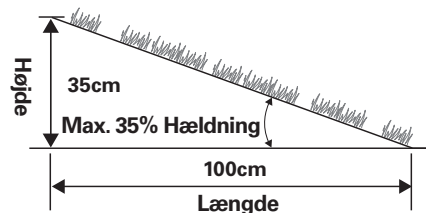
Det øvre afgrænsningskabel må IKKE placeres på skråninger, der er stejlere end 35% (20°)*. Det nedre afgrænsningskabel må IKKE placeres på skråninger, der er stejlere end 17% (10°), og det skal placeres mindst 40 cm væk fra enhver hindring, når det er placeret på en skrånning, der er 17%.



*Hvordan beregner du hældningen på din plæne:

Så hældningen er:

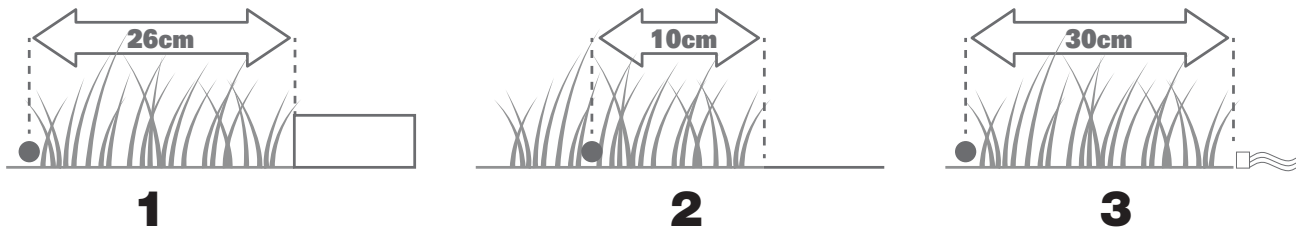
$$\frac{35 \text{ cm (Højde)}}{100 \text{ cm (Længde)}} = 35\% \text{ (Hældning)}$$



5. Planlægning af grænsekabel

Grænsekablet skal placeres i en bestemt afstand fra kanten af græsplænen. Afstanden ændres afhængigt af, hvad der ligger på den anden side af kanten. Forskellige områder af din græsplæne kan give forskellige scenarier:

- A. Hvis kanten af græsplænen støder op til et trin: Læg grænsekablet 26cm fra kanten. (figur 1)
- B. Hvis kanten af plænen støder op til en sti på niveau: Læg grænsekablet 10cm fra kanten. (figur 2)
- C. Hvis plænekanten grænser op til en pool: hold kablet mindst 30cm fra kanten. (figur 3)



Hvis en side af din græsplæne grænser op til en nabos græsplæne, hvor der også bruges en robotplæneklipper, skal du lægge dit kabel mindst 1m fra din nabos kabel for at undgå mulig interferens.

TJEK DIN GRÆSPLÆNE

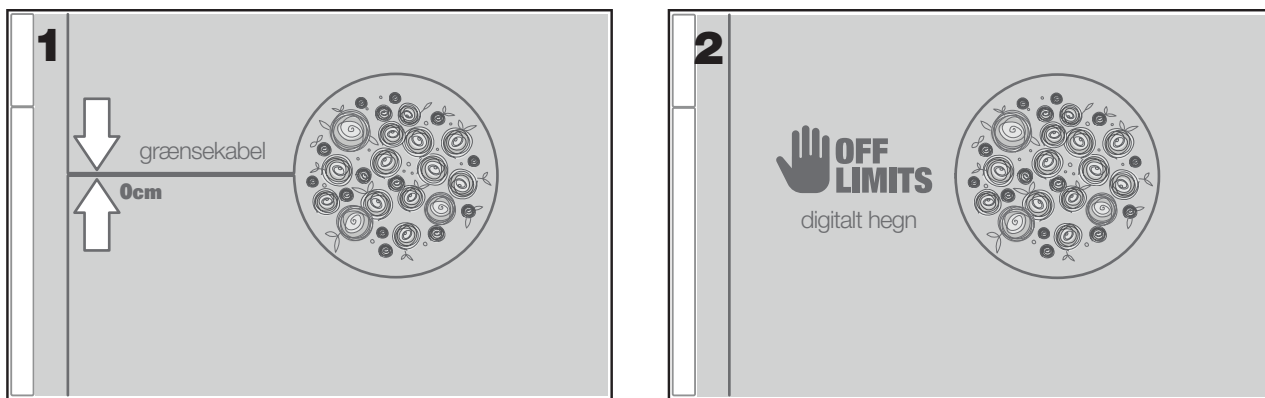
Landroiden er designet til at håndtere de mest komplekse græsplæner. Udfør en visuel inspektion af din græsplæne, så du er forberedt på en problemfri installation af grænsekablet.

1. Identificer forbudte områder

Du vil ikke have din robotplæneklipper til at klippe blomster, dykke ned i en vandgrav eller sønderrive trærodder, der stikker op af jorden. Find disse områder og læg et grænsekabel rundt om dem, for at forhindre Landroiden i at få adgang til dem.

Grænsekablet er et kredsløb med et kabel, der er forbundet i begge ender til ladestationen. Du skal tage grænsekablet fra ydergrænsen, føre den rundt om det område, som du vil beskytte og derefter tilbage til ydergrænsen, som vist her i fig. 1. Hvis de områder, der skal beskyttes, ligger langt væk fra græsplænen, eller hvis du har adskillige områder og trærodder, der skal beskyttes, er denne traditionelle metode tidskrævende.

Et godt alternativ er at tilkøbe Landroid Off-limits-tilbehøret (Ingen adgang). Dette digitale hegn, Off-Limits, føres blot rundt om de forbudte områder, og det behøver ikke at blive forbundet til grænsekablet (fig. 2). Det digitale hegn, Off-Limits, fungerer også fantastisk til at beskytte sæsonbestemt udstyr (fx en trampolin), eller til at beskytte nye ændringer i græsplænen layout uden at skulle tilpasse grænsekablet.



2. Identificer forhindringer

Landroidens stødsensor kan overkomme faste forhindringer såsom træer, møbler og deslige, som ikke behøver at være omgivet af grænsekabel. Hvis din græsplæne har adskillige forhindringer og træer tæt på hinanden, anbefaler vi, at du tilkøber Landroid ACStilbehøret, en intelligent ultralyds-autopilot, der styrer din Landroid rundt om, i stedet for ind i, forhindringerne.

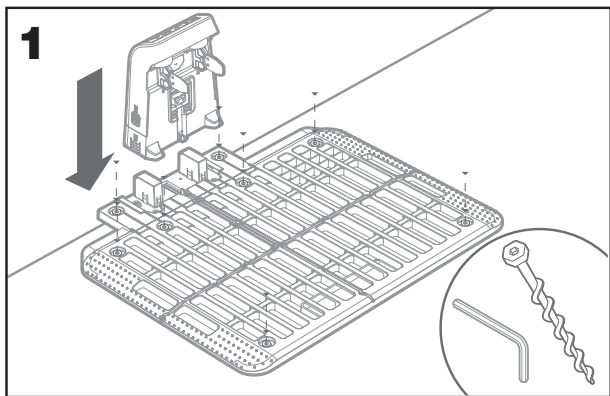
NU RULLER VI ÆRMERNE OP. Når det er færdigt, er det færdigt!

Nu da du har planlagt installationen i detaljer, er du klar til at handle. Inden du går i gang, kan du bruge din gamle græsslåmaskine én sidste gang, til at gøre din græsplæne pæn og ryddelig, og derved installationen nemmere.

1. Placer ladestationen på det valgte sted

A. Sæt opladningsbunken i opladningsbasen. Brug derefter den medfølgende unbrakonøgle til at fastgøre ladestationen på jorden med de medfølgende skruer (fig. 1)

B. Hvis du placerer bundpladen på et hårdt underlag, skal du fastspænde den med rawpluks og skruer (medfølger ikke)

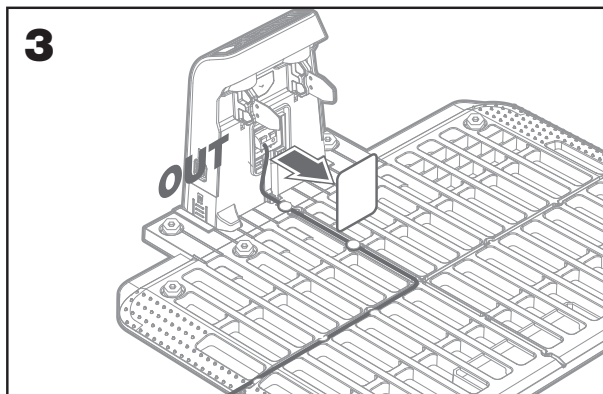
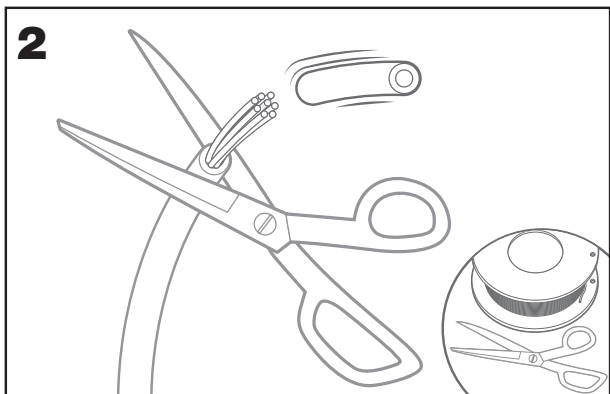


2. Tilslut den ene ende af grænsekablet til ladestationen

A. Fjern isoleringen fra grænsekablet med en saks (fig. 2)

B. Fjern plastdækslet og stik den afisolerede ende ind i den røde kabelklemme på venstre side (fig. 3)

C. Før kablet gennem kabelholderne på bundpladen, som vist på fig. 3



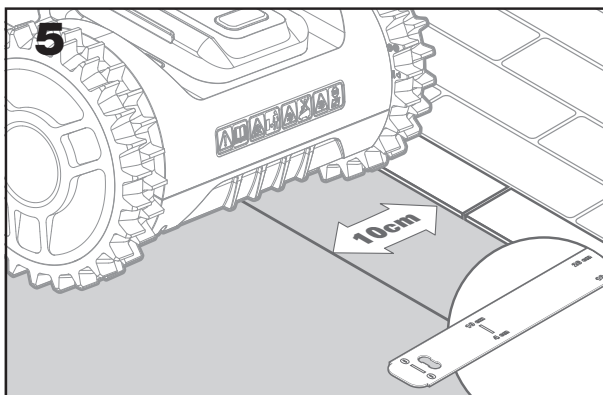
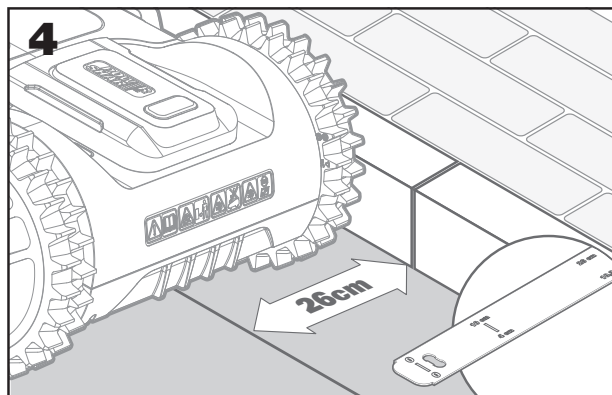
3. Læg grænsekablet rundt om din græsplæne

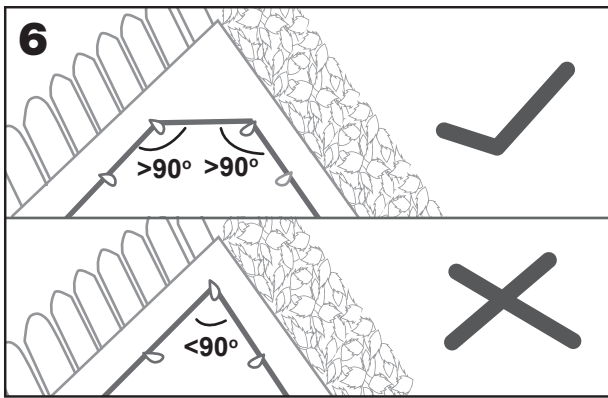
A. Brug den medfølgende afstandsmåler til at finde afstanden fra kanten

B. Hvis der er et trin ved kanten af din græsplæne, skal du lægge grænsekablet 26cm fra det (fig. 4)

C. Hvis der ikke er noget trin, skal du lægge grænsekablet 10cm fra kanten (fig. 5)

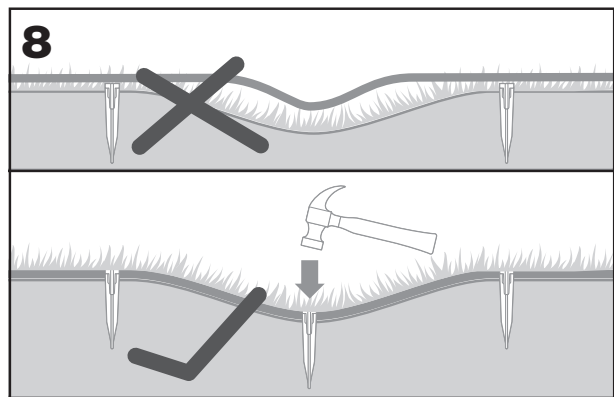
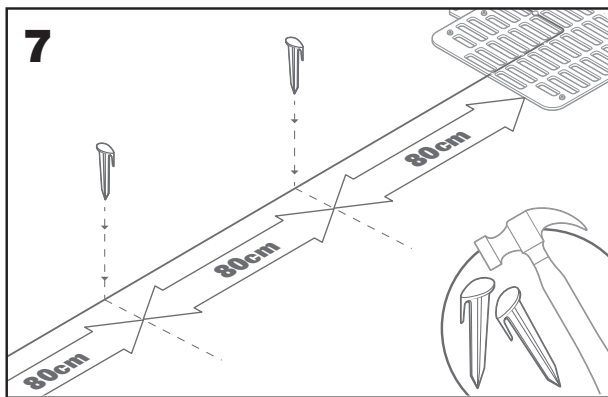
D. Sørg for, at grænselinjen er helt lige i hvert hjørne, og at grænselinjens vinkel er større end 90 °.





4. Fastgør grænsekablet til jorden med pløkker

- A. Placer pløkkerne med ca. 80cm mellem hinanden (fig. 7)
- B. Sørg for, at grænsekablet altid ligger tæt til jorden (fig. 8)

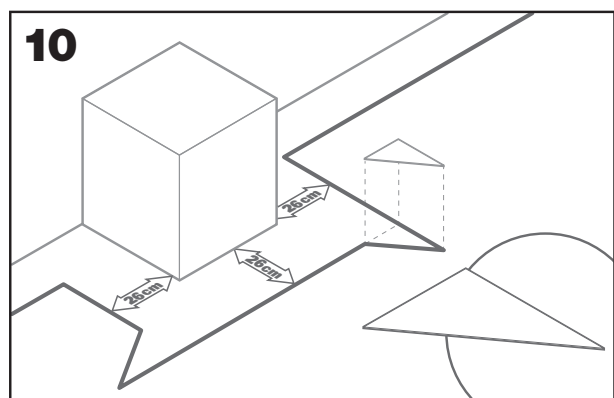
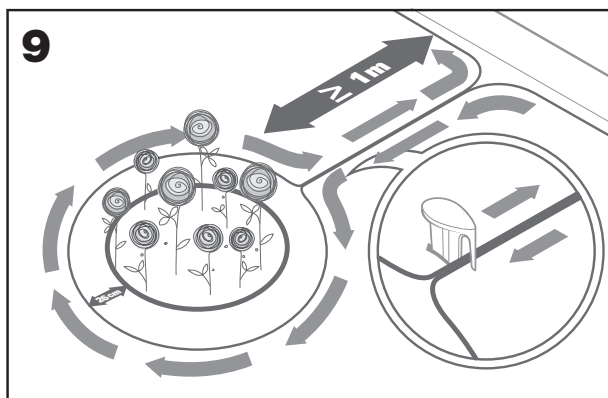


5. Læg grænsekablet rundt om forbudte områder, hvis nødvendigt

- A. Beskyt blomsterbede, damme, trærødder og andre områder ved at lægge grænsekablet rundt om dem.
- B. Træk grænsekablet ud fra kanten i en ret vinkel ind til og rundt om det forbudte område.
- C. Læg grænsekablet rundt om det forbudte område, med en afstand på 26 cm, indtil du er hele vejen rundt.
- D. Grænsekablet skal altid lægges i urets retning. Hvis ikke du gør det, vil plæneklipperen køre ind i det forbudte område.
- E. Gå tilbage til kanten af græsplænen ad samme vej.

6. Bertelsen-metoden: hvordan man laver perfekte 90° vinkler med hjørnerne ind mod græsplænen

Hvis der er hjørner på 90 graders, der vender ind mod din græsplæne, skal du bruge Bertelsen-linealen til at hjælpe Landroiden dreje perfekt rundt (og fjerne risikoen for, at Landroiden under denne manøvre rammer en forhindring uden ved kanten græsplænen).



7. Luk kredsløbet

Når du har lagt grænsekablet hele vejen rundt om græsplænen, kommer du tilbage til ladestationen.

A. Før kablet gennem kabelholderne på bundpladen og op til kabelklemmen (fig.11)

B. Klip det overskyende kabel af og afsoler kabelenden med en saks

C. Indsæt den afsolerede kabelende i den sorte kabelklemme til højre

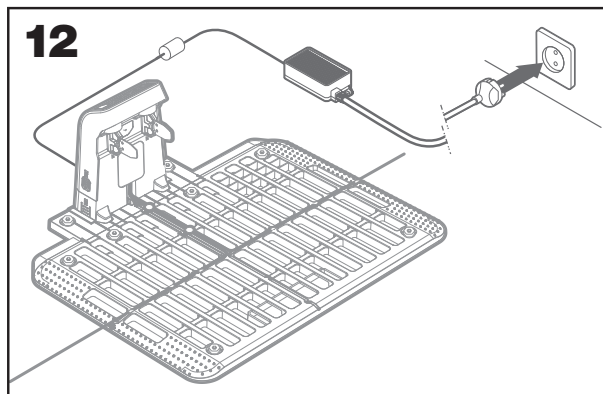
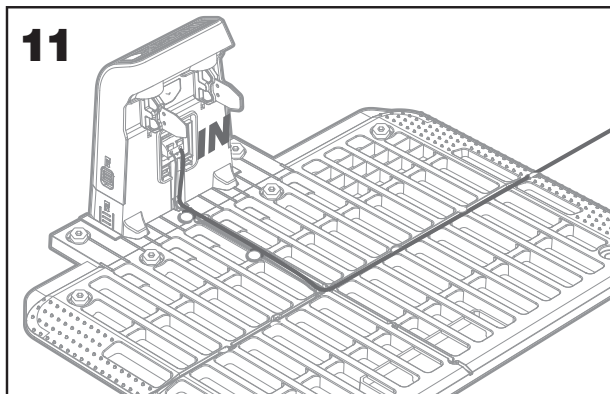
8. Sidste trin

Den kedelige del er overstået! Der mangler kun et par trin:

A. Tilslut ladestation til strømforsyningen (fig. 12)

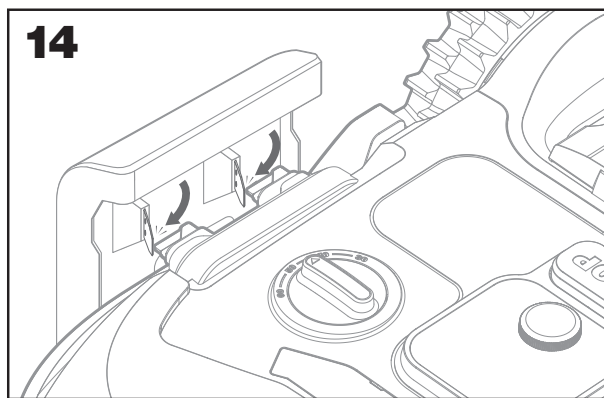
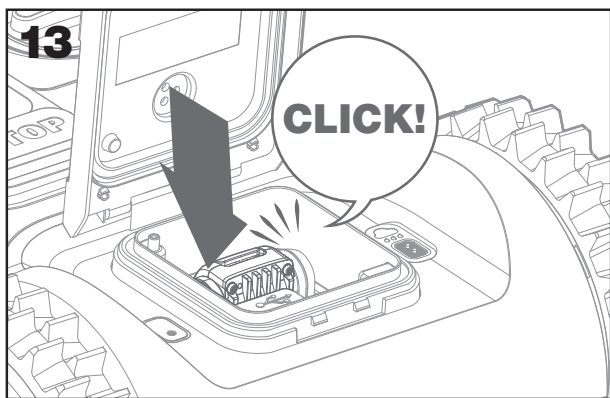
B. Hvis alt virker, lyser LED'en grønt

C. Hvis der er et problem i kredsløbet, som f.eks. et brudt kabel eller kabelenderne ikke er korrekt tilsluttede, vil LED'en lyse rødt. Kontroller at alt virker eller referer til FAQ (Ofte stillede spørgsmål), hvis problemet fortsætter.



D. Åbn bagklappen på Landroiden og klik PowerShare-batteriet på plads i batteriholderen (fig.13)

E. Når du sætter din Landroid i opladeren, skal du sikre dig, at der er etableret en dyb kontakt med basen (fig. 14). LED-lyset blinker grønt. Når batteriet er fuldt opladet, lyser LED-lyset grønt.



F. Lad Landroiden oplade batteriet et stykke tid. Mens den oplader, kan du tage en velfortjent pause: læs og forstå de følgende instruktioner, og forbind Landroiden til dit Wi-Fi-netværk.

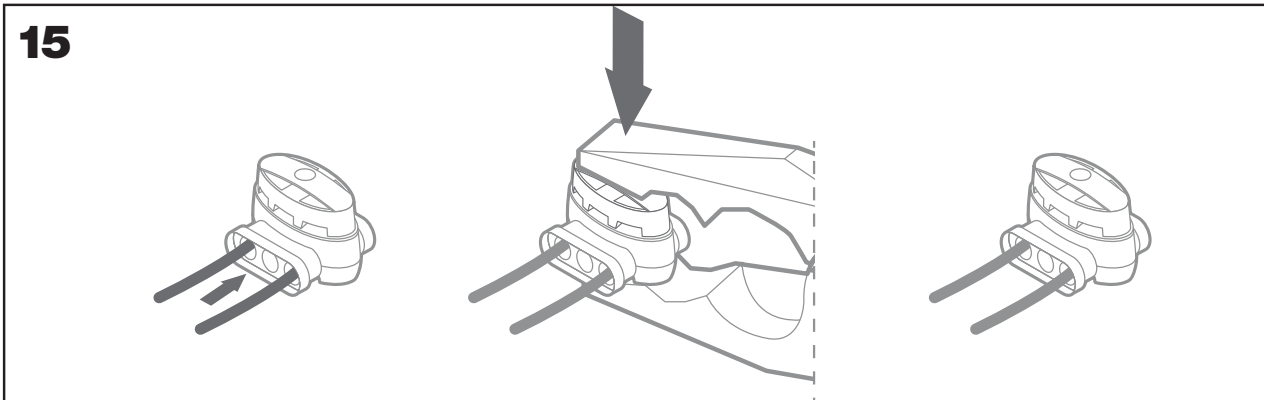
9. Tilslutning af grænsekablet

Med Landroiden medfølger to små vandtætte reparationsstik til grænsekablet. De kan bruges når:

- A. Din have har en meget stor omkreds og du har brug for at forlænge grænsekablet Grænsekablet må ikke være længere end 300 meter, hvilket er den maksimale omkreds.
- B. Grænsekablet ved et uheld klippes over og du skal reparere det.
- C. Du vil lave ændringer i haven i fremtiden og har brug for at ændre grænsekablets oprindelige installation.

Reparationsstikkene er vandtætte og giver en optimal elektrisk forbindelse. (Fig. 15).

- A. Stik begge kabelender ind i et af reparationsstikkets tre huller; det er ikke nødvendigt at afisolere kabelenderne.
- B. Stik kablerne helt igennem, indtil kabelenderne kan ses på den anden side af reparationsstikket.
- C. Klem reparationsstikket sammen ved hjælp af et tang.



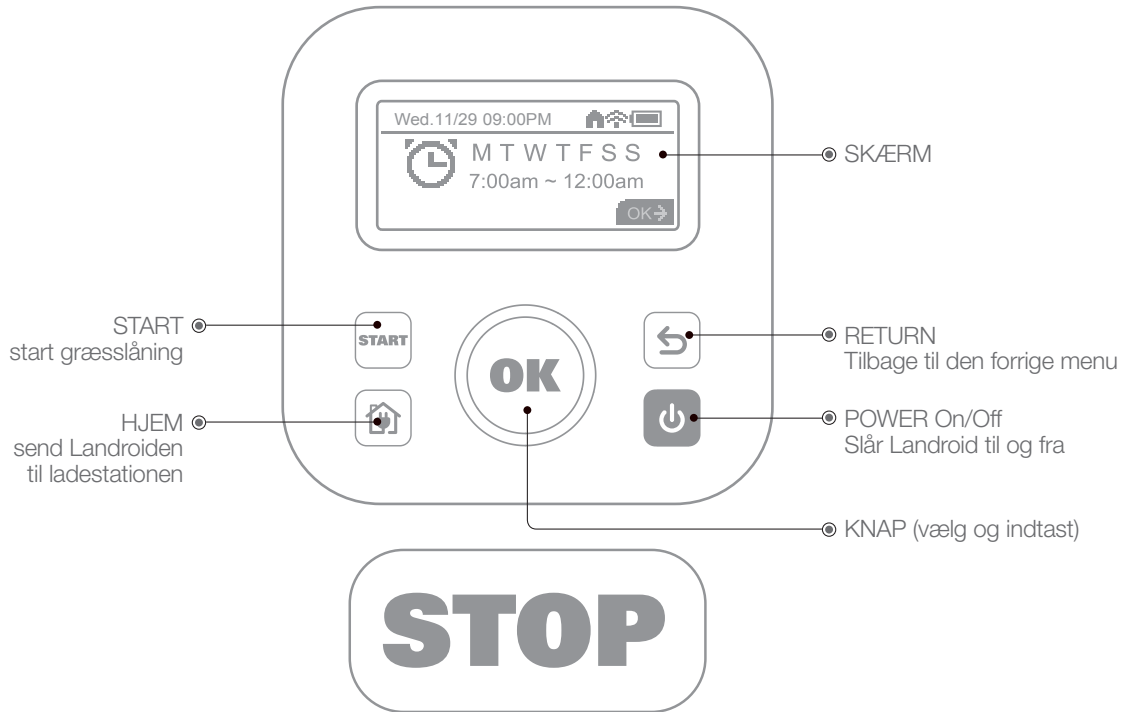
⚠ OBS: Det anbefales, ikke at anvende elektrikertape eller samlemuffer med skruer til at reparere grænsekablet. En kredsløb kan blive brudt efter en periode, da jordens fugtighed kan oxidere kablet.

NOW FOR THE EXCITING BIT! START LANDROID FOR THE FIRST TIME.

Bliv fortrolig med betjeningspanelet

Landroidens betjeningspanel har de vigtigste funktioner i et minimalistisk design.

Til avancerede funktioner har den gratis Landroid-app flere indstillingsmuligheder, på en bedre brugerflade: din smartphone.



Start Landroiden

- Placer Landroiden inden for grænsekablet
- Tryk på **POWER**, indtil displayet lyser. Indtast derefter pinkoden
- Drej med uret for at vælge tallet og kort tryk på **OK** for at bekræfte et efter en. e. Displayet viser 'Pinkode OK'
- Tryk på **START**, og tryk derefter på **OK**. Landroiden vil starte græsslåningen
- Du kan til enhver tid standse Landroiden ved at trykke på **STOP**
- For at sende Landroiden til ladestationen, tryk på **HJEM**, og tryk derefter på **OK**

Bemærk: Standard-PIN-koden er 0000

LANDROIDENS BETJENINGSPANEL

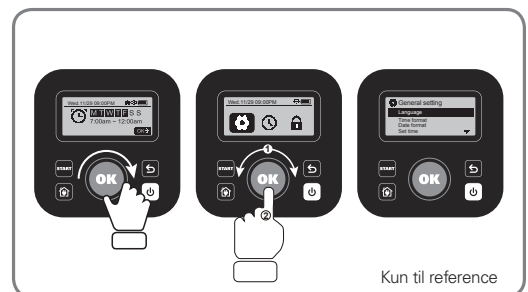
Avancerede funktioner via den indbyggede brugerflade

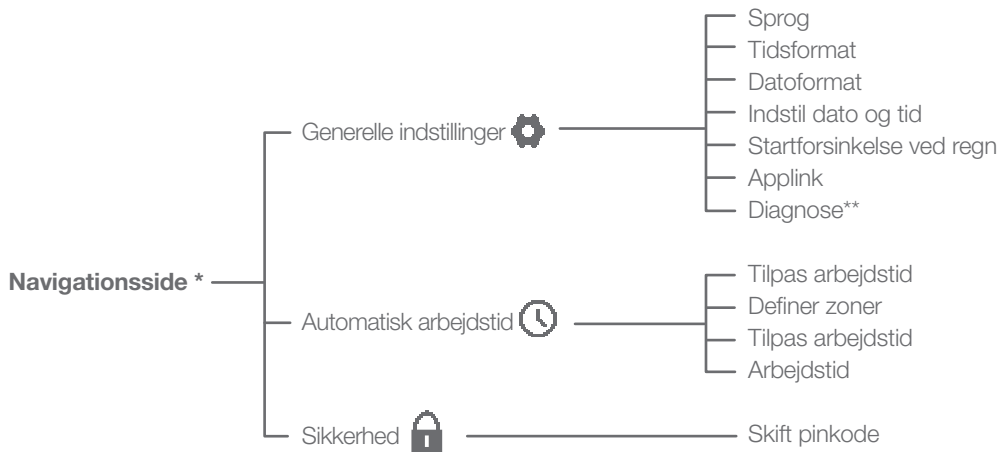
På trods af det minimalistiske design, kan du indstille flere avancerede funktioner via det indbyggede betjeningspanel.

Men den bedste brugeroplevelse opleves med den gratis Landroid-app, da den har en mere komplet og intuitiv brugerflade.

1. Opsætning

- Drej med uret for at åbne indstillingen
- Drej derefter på **OK** for at vælge "Generelle indstillinger" **gear** / "Arbejdstimer" **clock** / "Sikkerhed" **lock**, tryk kort for at komme ind.
- Brug den samme metode til at tage opfølgingsforanstaltninger.



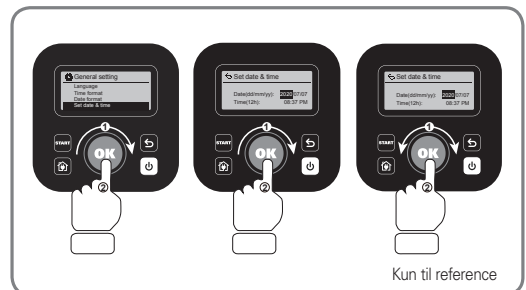


* Opdateres løbende i henhold til softwareversionen.

** Kun til eftersalgsservice

2. Indstil dato & Tid

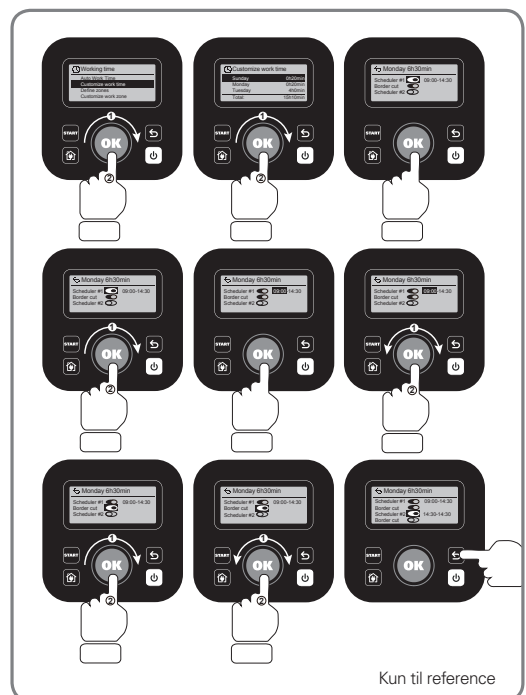
- A. Tilbage til "Generelle indstillinger"
- B. Drej med uret **OK** "Indstil dato & tid", og tryk derefter kort på for at komme ind.
- C. Drej derefter med uret **OK** Vælg "Day" og Kort tryk. Det valgte nummer blinker.
- D. Næste, Drej **OK** for at vælge nummeret, og tryk kort for at bekræfte. Brug den samme metode for at fuldføre "Måned / År / Tid".



3. Brugerdefineret arbejdstid

- A. Tilbage til "arbejdstid"
- B. Drej med uret **OK** Gå til "Brugerdefineret arbejdstid", og tryk derefter kort for at komme ind.
- C. Drej med uret **OK** Vælg ugedag, og tryk derefter kort på.
- D. Tryk derefter på **OK** for at åbne indstillingerne.
- E. Drej med uret **OK** for at aktivere "Tidsplan # 1 **". Kort tryk **OK** for at bekræfte.
- F. Derefter rotation med uret **OK** Vælg starttiden "time / minut", og tryk derefter kort på for at åbne indstillingen. Det valgte nummer blinker.
- G. Drej **OK** for at vælge det starttidspunkt, som LANDROID skal beskæres på en bestemt dato, og tryk derefter kort for at bekræfte. Brug den samme metode til at fuldføre stoptiden.
- H. Derefter drejes med uret **OK** og et kort tryk for at åbne indstillingen "frame cut".
- I. Drej **OK** for at vælge, om "Border Cut" skal aktiveres, og tryk derefter kort for at bekræfte.
- J. Hvis du vil indstille "Tidsplan# 2 **", skal du bruge den samme metode som ovenfor.
- K. Tryk på **S**, og brug den samme metode til at indstille arbejdstiden for andre arbejdsdage.

* To tidsplaner kan indstilles på en dag.



4. Arbejdstidsjustering

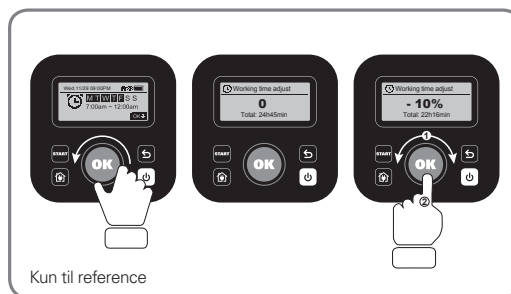
Du kan hurtigt justere ugens arbejdstid. Forøgelsen / faldet i tid fordeles jævnt på de krævede arbejdsdage

A. Returner hovedskærmen.

B. Drej mod uret **OK** For at aktivere justering af arbejdstid.

BEMÆRK: Den samlede tid er baseret på den tilpassede arbejdstid og kan justeres i en gradient på 10%.

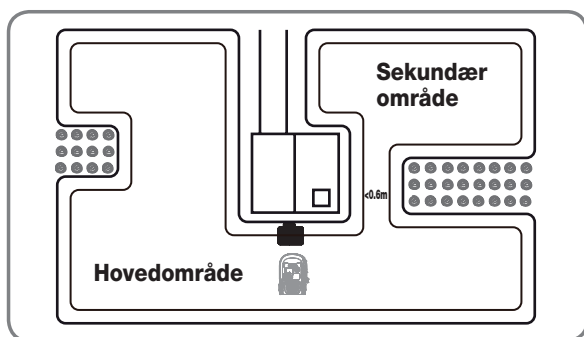
C. Derefter roterer **OK** for at justere, og tryk kort for at bekræfte.



5. Enkelt snit indstilling

Hvis din græsplæne har flere områder forbundet med gange, skal bredden være mindst 0,6m . Hvis korridoren er smallere end 0,6 m , har Landroid svært ved at bevæge sig mellem dem. I dette tilfælde anbefales det at oprette primære og sekundære områder på plænen. Grænselinjen skal placeres som vist.

Til fleksible arbejdsindstillinger (om man skal vende tilbage til ladestationen og om man skal skære rammen), især når Landroid er placeret i et hjælpeområde uden en ladestation, Gange tider.



- Placer Landroid inden for grænselinjen.
- Når din Landroid er tilsluttet opladningsbasen .

A. Returner hovedskærmen.

B. Tryk hurtigt på **START** tre gange.

C. Roter med uret **OK** Vælg "Hjemmegave?" - JA / NEJ " (uanset ladestation om det er i dette område), tryk så kort for at komme indstillingen. Det valgte ord blinker, og tryk derefter kort på for at bekræfte.

D. Drej derefter **OK** Vælg "Aktiver kantskæring ja / nej" (om du vil udføre kantklipping), og tryk derefter kort på. Det valgte ord blinker, og tryk derefter kort på for at bekræfte. Brug derefter den samme metode til at fuldføre "arbejdstiden".

E. Drej derefter med uret Vælg "Start", tryk derefter kort for at begynde at trimme

OBS: Landroid vender tilbage til Opladningsstation Sådan oplades batteriet Kør ud eller skære tiden er udløbet. Hvis Landroid er fuldt opladet, og den indstillede tid ikke er udløbet, fortsætter Landroid med at klippe indtil slutningen af tiden.

- Når din Landroid er afbrudt fra Ladestation ,

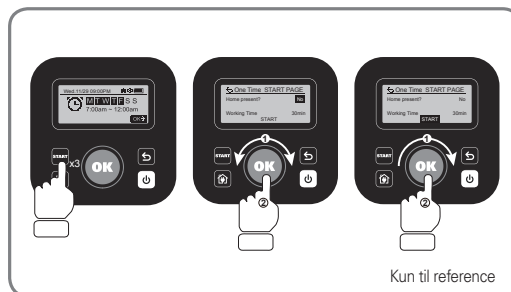
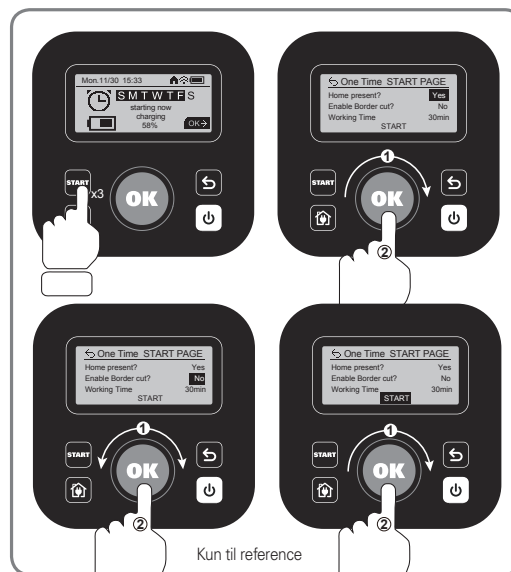
A. Returner hovedskærmen.

B. Tryk hurtigt på **START** Tre gange.

C. Roter **OK** Vælg "Hjemmegave? - JA / NEJ " (Opladningsstation Uanset om det er i området) og kort tryk Indtast indstillinger . Det valgte ord blinker, og tryk derefter kort på for at bekræfte. Brug den samme metode til at fuldføre "arbejdstid".

D. Drej derefter med uret **OK** Vælg "Start", tryk derefter kort for at begynde at trimme

Bemærk: Når din Landroid er placeret i hovedområdet (normalt placeret i ladestation), vender den tilbage ladestation 4832> bruges til at oplade, når batteriet er brugt op, eller klippetiden er op. Hvis Landroid er fuldt opladet, og den indstillede tid ikke er udløbet, fortsætter Landroid med at klippe indtil slutningen af tiden. Når din Landroid er i det sekundære område, stopper den med at klippe og forbliver, hvor den er, når batteriet er opbrugt, skæringstiden er kommet, Landroid støder på nogle problemer (f.eks. Nedbrud og andre) eller tryk manuelt på "STOP" .



TILSLUT LANDROIDEN TIL INTERNETTET

Hvorfor tilslutte Landroiden

Din Landroid kan tilsluttes via Wi-Fi eller Bluetooth. Landroiden er en IoT (Internet of Things) -enhed. For at få fuld funktionalitet ud af din Landroid og altid holde den opdateret med den nyeste software, skal den være tilsluttet internettet via dit Wi-Fi-netværk.

INDEN DU STARTER

1. Download appen

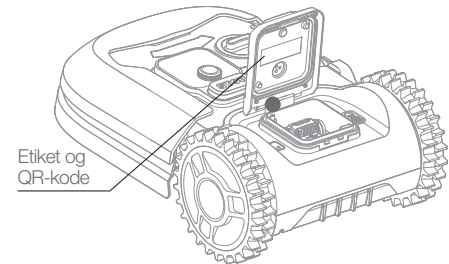
Download først den gratis Landroid-app. Få den til Android fra Google Play eller fra Apple's App Store.



2. Sørg for, at have:

- A. Din adgangskode til dit Wi-Fi-netværk / Bluetooth-funktion på smartphone
- B. Landroidens serienummer: det kan findes på etiketten under maskinens bageste motorskærm.

Hvis du ikke vil indtaste det 20-cifrede serienummer, kan du scanne QR-koden med din smartphones kamera.



3. Kontroller dine indstillinger

Wi-Fi-forbindelse

- A. Landroid anvender 2,4 GHz Wi-Fi-signal
- B. Sørg for, at din Landroid er tilsluttet samme router som din smartphone
- C. Sørg for, at afstanden mellem din Landroid, smartphone og router er så tæt som muligt under tilslutningen

Tip: Når Landroiden kører til et område på din græsplæne med dårligt eller intet Wi-Fi-signal, vil instruktioner sendt fra appen først blive udført, når Landroiden igen får et godt signal.

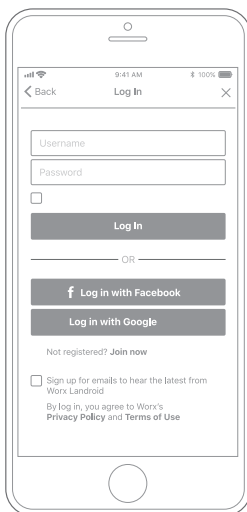
Bluetooth-forbindelse

- A. Bluetooth-funktionen på smartphonen er aktiveret.
- B. Sørg for, at din Landroid er inden for den tilslutningsbare afstand.

HVORDAN TILSLUTTES LANDROIDEN TIL INTERNETTET

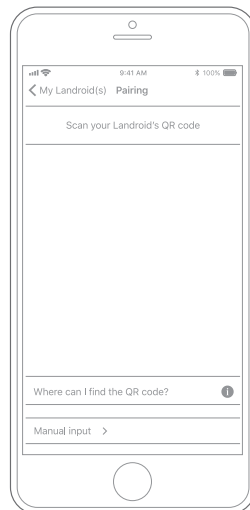
Start appen og følg disse instruktioner.

1. Tilmeld din konto



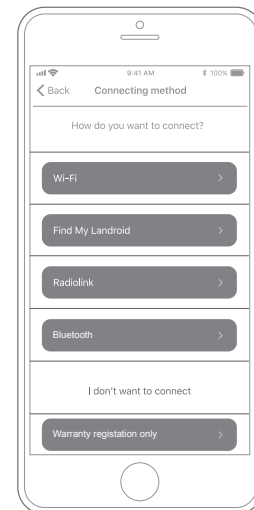
Tilmeld din konto ved at indtaste dit brugernavn og din adgangskode eller log ind via Facebook eller Google.

2. Indtast Landroidens serienummer



Tilmeld din Landroid ved at indtaste serienummeret manuelt eller ved at scanne QR-koden.

3. Vælg din forbindelse



Vælg dit Wi-Fi-netværk eller Bluetooth, eller du kan oprette forbindelse til Landroid ved at søge efter min Landroid eller RadioLink-mulighed.

Hvis dit Wi-Fi-signal ikke dækker hele græsplænen, kan du overveje at tilkøbe RadioLink-tilbehøret, som forstærker signalets rækkevidde op til 300m.

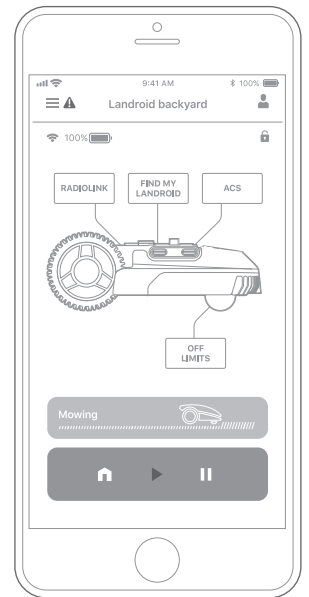
Som et alternativ kan du tilkøbe Find My Landroid-tilbehøret (Find Min Landroid), der, foruden at tilslutte Landroiden til internettet via dets indbyggede simkort, også kan spore Landroiden i det kedelige tilfælde, at den bliver stjålet.

LANDROID-APPEN IKKE BARE EN FJERNBETJENING

Tænk ikke på den som en fjernbetjening. Appen er en integreret del af Worx Landroids avancerede økosystem, baseret på cloud computing og kunstig intelligens.

Takket være appens AR-funktion kan du måle det nøjagtige område af din græsplæne. Det er lige så nemt som at gå en tur langs kanten af græsplænen.

Mange faktorer påvirker græsens vækstrate. Landroid kombinerer dem for at bestemme den bedste behandling til din græsplæne. Dag efter dag.



VAROITUS: Lue kaikki turvavaroitukset ja ohjeet. *Varoitusten ja ohjeiden noudattamatta jättäminen voi johtaa sähköiskuun, tulipaloon ja/tai vakavaan vammaan.*
Lue ohjeet huolellisesti koneen käyttämiseksi turvallisesti.
Säilytä kaikki varoitukset ja ohjeet tulevaa käyttöä varten.

KUINKA LANDROID TOIMII

Seuraavassa osiossa kerromme tarkemmin Landroidin toiminnoista. Landroid on autonominen laite, joka toimii itsenäisesti. Se osaa itse palautua tarvittaessa latausasemaansa, tunnistaa sateen, pysäyttää itsensä kohdatessaan ongelman, pysähtyä, kääntyä takaisin ja kiertää sen etenemistä estävän esteen. Onnettomuuksien estämiseksi Landroid myös pysäyttää teränsä automaattisesti kun sitä nostetaan maasta.

Lataa itsensä



Kun Landroid tarvitsee lataamista, se lopettaa nurmikon leikkaamisen ja seuraa rajakaapelia vastapäivään palatakseen latausasemaansa. Kun lataus on valmis, Landroid aloittaa automaattisesti nurmikon leikkaamisen uudelleen tai jää latausasemaan aikataulunsa mukaisesti.

Rajojen hallinta



Landroid on ohjelmoitu leikkaamaan ruohoa nurmikon kehällä kahdesti viikossa Maanantaisin ja Perjantaisin. Voit muuttaa tätä esiasetusta älypuhelimien avulla tai ohjauspaneelin "Work time-Customise Work time" -valikkojen avulla. Katso tarkemmat ohjeet tämän käyttöohjeen lopusta.

Sadetunnistin



Landroid is 100 % sateenkestävä ja viihtyy ulkona. Märän nurmikon leikkaaminen ei kuitenkaan tuota parasta mahdollista lopputulosta. Landroid on varustettu sadetunnistimella, jonka antamien tietojen perusteella Landroid lopettaa nurmikon leikkaamisen ja palaa latausasemaansa.

Sateen viiveaika



Sadekuuron jälkeen Landroid aloittaa toimintansa uudelleen kun nurmikko ei enää ole märkä. Sateen viiveajan vakioasetus on 180 minuuttia. Voit muuttaa viiveaikaa Landroid-sovelluksen.

Vaikeissa sääolosuhteissa



Suojaa Landroidia ukkosella: ota se pois latausasemasta, sammuta virta rajakaapelista ja varmista, että Landroid ei lataudu. Talvella ja etenkin erittäin kylmällä ilmalla suosittelemme säilyttämään Landroidia sisätiloissa. Joissakin maissa tarjoamme Landroidin talvihuolto siten että se on valmiina keväällä kasvukauden alkaessa. Ota yhteyttä jälleenmyyjään tai tarkista internetistä lisätiedot.

Nurmikojätettä ei tarvitse enää kerätä



Nurmikon päivittäinen ajaminen Landroidilla tuottaa erittäin lyhyttä ruohosilppua, jota ei tarvitse haravoida. Ruohosilppu on erinomaista lannoitetta nurmikollesi. Tiheä liikuttelu tuuheuttaa ruohoa ja edistää siementen leviämistä.

Reunojen leikkaaminen



Eriysterä menee mahdollisimman lähelle nurmikon reunaan eikä jätä sinulle juurikaan trimmattavaa.

Leikkauskorkeus



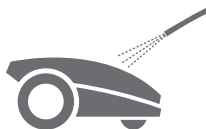
Varmista ennen ensimmäistä käyttökertaa, ettei nurmikko ole korkeampaa kuin 10 cm. Jos se on korkeampaa, leikkaa se ensin tavanomaisella ruohonleikkurilla ennen Landroidin käyttöönottoa. Jos haluat lyhentää nurmikkoasi huomattavasti, on suositeltavaa tehdä se vaiheittain siten että leikkauskorkeutta alennetaan asteittain.

Urvallisuus ja PIN-koodi



Asiattoman käytön estämiseksi Landroid on suojattu helposti asetettavalla PIN-koodilla.

Helppo puhdistaa



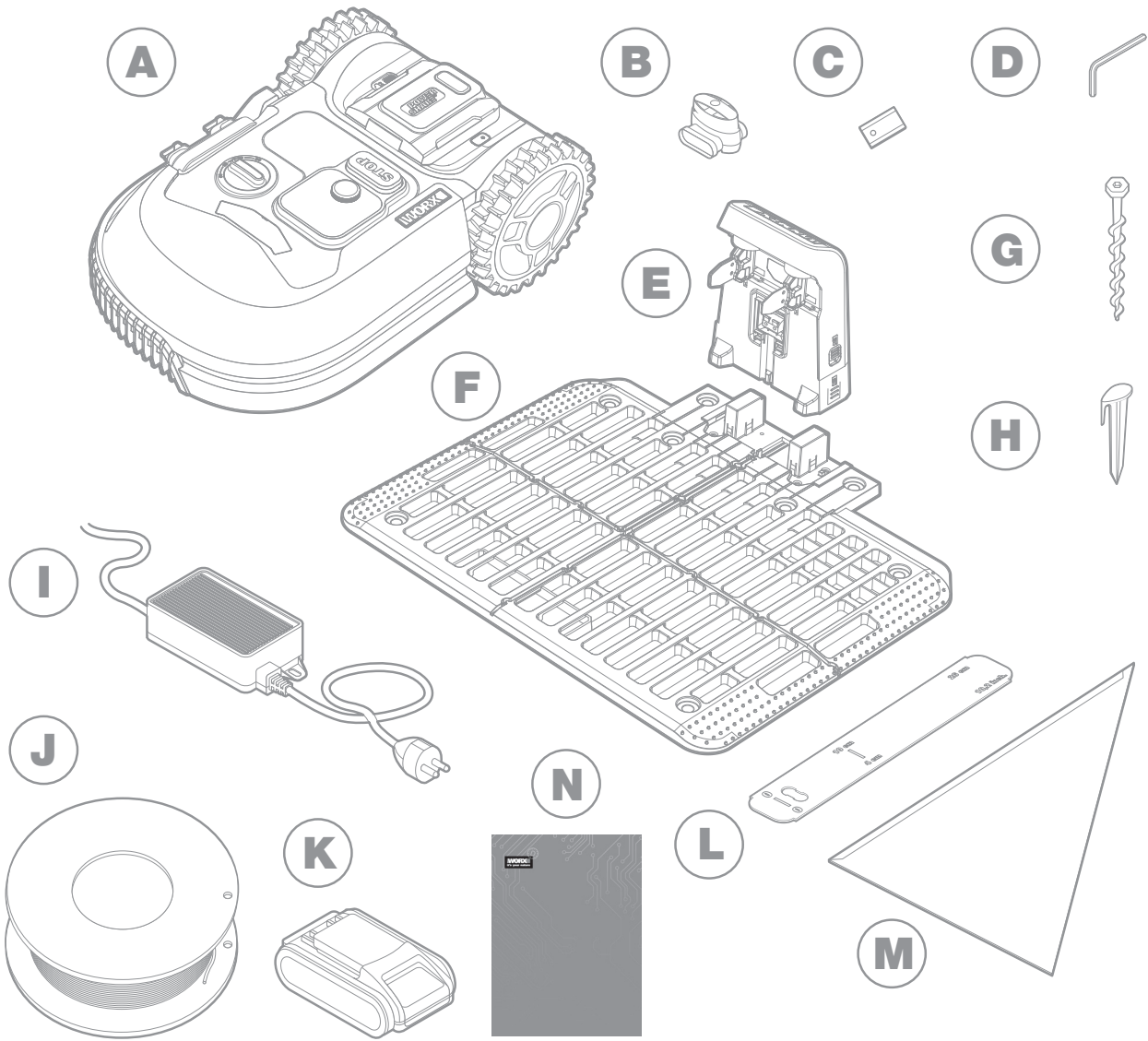
IPX5-vedenkestävän toiminnon ansiosta Landroid pääsee eroon pölystä, turpeesta ja ankarasta työympäristöstä. Tee Landroid ista ulkonäkö ja suorituskyky.

Maaseurain



Uuden automaattisen nostomallin ansiosta sen terät voidaan nostaa automaattisesti suuremman välyksen saavuttamiseksi. Tämä auttaa Landroid välttämään tiettyjä tilanteita, jotka voivat estää muita ruohonleikkureita.

PAKKAUKSEN SISÄLTÖ



Kuva on vain viitteeksi

A Worx Landroid

B Johdon korjausliitintä

C Varaterää

D Kuusiokulma-avain

E Latausasema

F Ruuvia

G Latauspaalu

H Kaapelin koukut

I Virtalähde

J Rajakaapeli

K 20V Akku

L Rajakaapelin etäisyyden mittaria

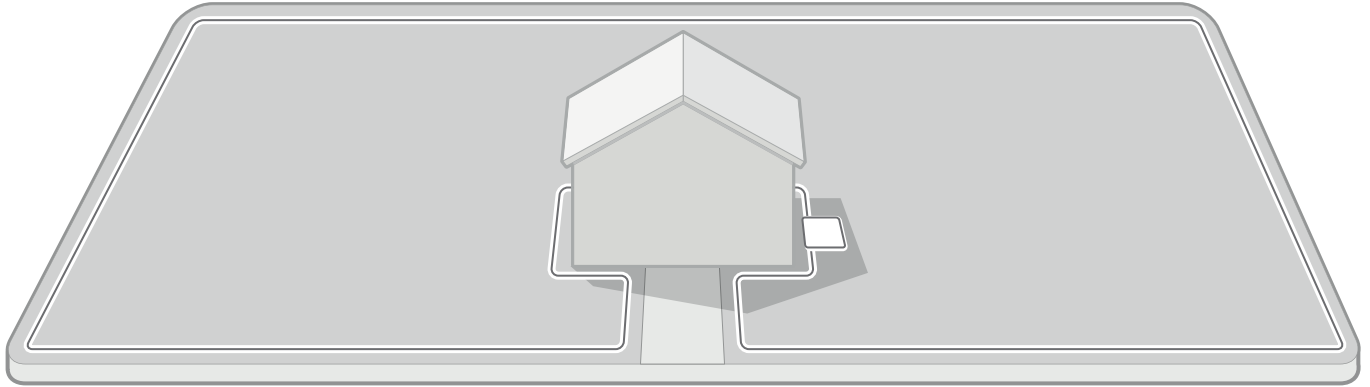
M Mitta

N Manuaalinen

ASENNUS

Näitä ohjeita tarkasti noudattamalla Worx Landroidin asentaminen on helppoa. Se vaatii vain latausaseman ja nurmikkoasi ympäröivän rajakaapelin asentamisen. Tämän käyttöohjeen lisäksi voit käyttää toimituspakkauksessa tullutta Get Started -opasta ja katsoa kattavia video-oppaitamme YouTube-kanavaltamme*.

* Nämä ohjeet on tarkoitettu avuksi, mutta ne eivät korvaa käyttö- ja turvallisuusohjeita, jotka on luettava tarkoin ja varmistettava niiden sisällön ymmärtäminen.



Tarkista nurmikko asentamisen suunnittelua varten

Asenna latausasema

Viritä raja kaapeli

Liitä latausasema verkkovirtaan

Landroidin virran kytkeminen. Testi ja valmius ruohonleikkaus aloittamiseen

YKSI SUUNNITTELUUN KÄYTETTY MINUUTTI SÄÄSTÄÄ 10 MINUUTTIA TOTEUTUKSESSA

Landroidin asentaminen on vieläkin helpompaa, jos tiedät etukäteen, mitä pitää tehdä. Hyvä suunnittelu auttaa välttämään virheitä eikä asennusta tarvitse purkaa kun se on kerran tehty.

1. Maan pinnalla vai maahan kaivettuna?

Landroidin rajakaapelin voi asentaa nurmikon päälle. Se on lähes näkymätön alusta alkaen ja uppoutuu maan sisään parissa viikossa. Jos haluat kaivaa kaapelin maan sisään, suosittelemme ensin viritämään sen ja kokeilemaan asennuksen toimivuutta antamalla Landroidin seurata rajoja. Näin voit helposti tarkistaa, että kaikki toimii niin kuin pitää ennen kaapelin kaivamista maan sisään. Älä upota kaapelia maan sisään muutamaa senttimetriä syvemmälle, jotta signaali pysyy hyvänä.

2. Suunnitelma latausasemaa varten

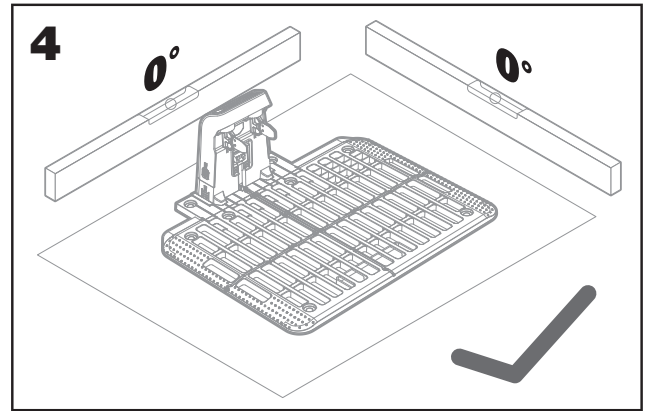
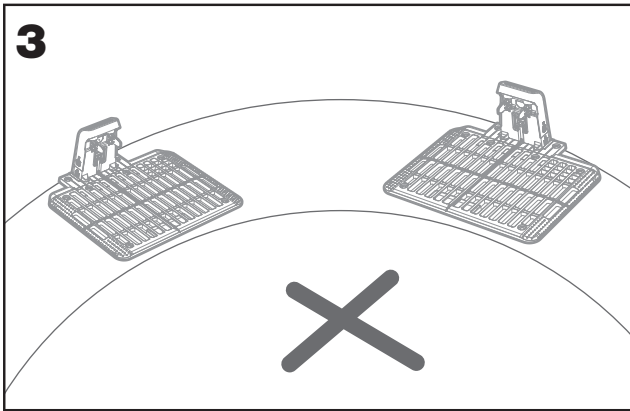
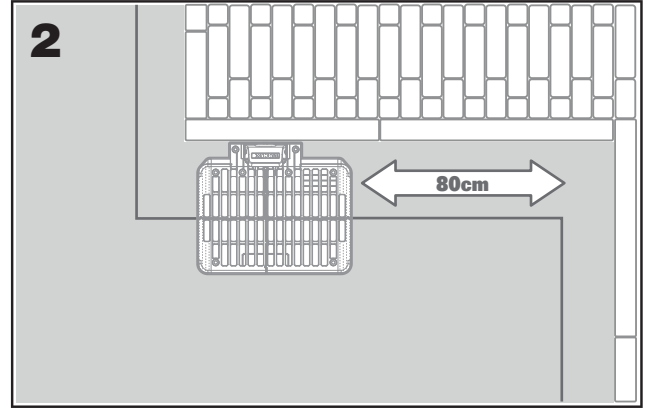
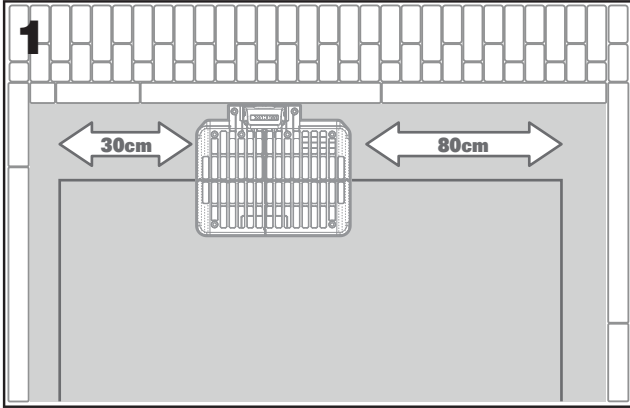
Landroid latautuu latausasemassa, joka koostuu latauspaalusta ja latausalustasta. Se on myös parkkipaikka, jossa laite on nurmikonleikkausten välillä.

Paikkaa valitessasi ota huomioon seuraavat tekijät:

- A. Latausasema tarvitsee virtaa, joten sitä ei tule sijoittaa 10 metriä kauemmaksi virtapistokkeesta.
- B. Jos mahdollista, valitse varjoisa paikka, sillä akut ja laturit ovat herkkiä ylikuumenemiselle.
- C. Latausaseman on oltava tasaisella maalla, jotta laite pääsee siihen vaivattomasti.
- D. Vältä paikkoja lähellä kastelulaitteita.

Latausasema voidaan sijoittaa numikolle kovalle pinnalle, kuten käytävälle, kunhan nurmikko ja pinta ovat samalla korkeudella (ei askelmia).

Landroid tarvitsee vähintään 80 cm tilaa suoraan eteenpäin tullessaan latausasemalle. Poistumisuolella on oltava vähintään 30 cm suoraa polkua ennen käännyöstä vasemmalle (kuva 1) Jos kääntyminen on oikealle, suoraa polkua ei tarvita (kuva 2).

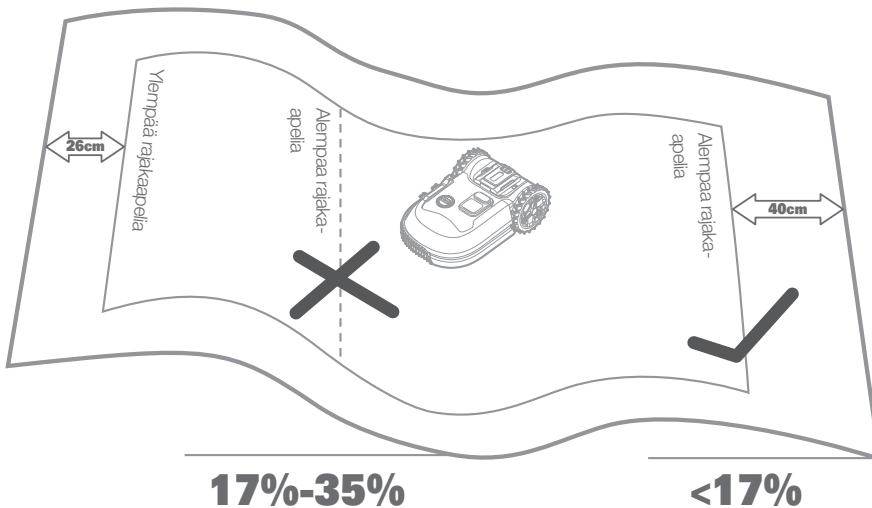


3. Latausaseman muistilista:

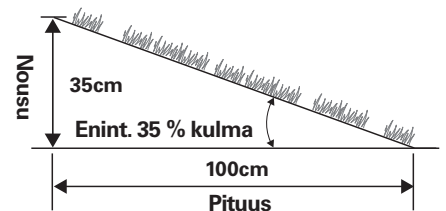
- A. riittävän lähellä virtapistoketta
- B. varjossa
- C. suora polku sisäänmenoon ja tarvittaessa suora polku ulostulosta
- D. tasainen maa
- E. ei kastelulaitteita lähellä

4. Rajakaapelin asetus rinteille

Ylempää rajakaapelia EI tulisi sijoittaa rinteille, jotka ovat jyrkempiä kuin 35 % (20°)*. Alempaa rajakaapelia EI tulisi sijoittaa rinteille, jotka ovat jyrkempiä kuin 17 % (10°). Se tulisi myös sijoittaa vähintään 40 cm:n päähän esteistä, kun se on sijoitettu rinteeseen, joka on 17 %.



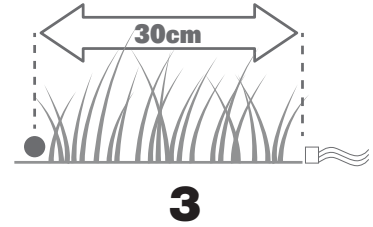
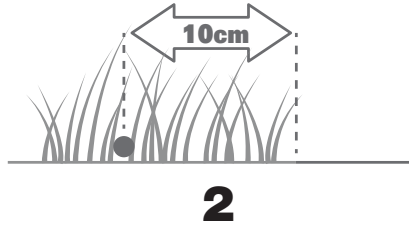
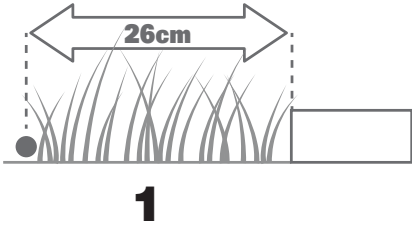
*Kuinka pystyt laskemaan nurmikkosi: kaltevuuskulman?
 $\frac{35 \text{ cm (Nousu)}}{100 \text{ cm (Pituus)}} = 35\% \text{ (Kaltevuuskulma)}$



5. Suunnitelma rajakaapelia varten

Kaapeli on sijoitettava tietylle etäisyydelle nurmikon reunasta. Etäisyys riippuu siitä, mitä reunan toisella puolella on. Nurmikon eri alueilla voidaan tarvita erilaisia suunnitelmia:

- A. Jos nurmikon reunalla on askelma, asenna kaapeli 26 cm:n päähän reunasta. (kuva 1)
- B. Jos nurmikon reuna päättyy polkuun, joka on samalla korkeudella, asenna kaapeli 10 cm:n päähän reunasta. (kuva 2)
- C. Jos nurmikon reuna on uima-altaan reunalla: aseta kaapeli vähintään 30 cm:n päähän reunasta. (kuva 3)



Jos nurmikkosi sivu rajoittuu naapurisi nurmikkoon ja hänellä on robottiruohonleikkuri käytössään, aseta oma kaapelisi vähintään 1 metrin päähän naapurin kaapelista mahdollisen häiriön välttämiseksi.

NURMIKON TARKISTAMINEN

Landroid on suunniteltu toimimaan monimuotoisillakin nurmikoilla. Tarkista nurmikko silmämääräisesti, jotta osaat asentaa rajakaapelin ongelmitta.

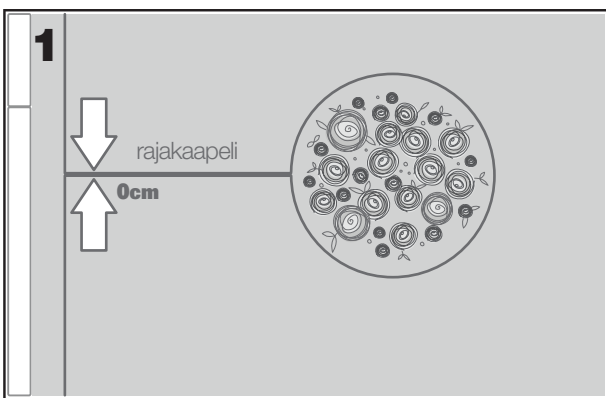
1. Kiellettyjen alueiden tunnistaminen

Et halua robottiruohonleikkurisi leikkaavan kukkia, ajavan veteen tai osuvan maan pinnalla näkyviin puunjuuriin, eristä tällaiset alueet rajakaapelilla jotta Landroid pysyy pois niiltä.

Rajakaapeli muodostaa yhtenäisen lenkin, joka liitetään molemmista päistään latausasemaan, joten sinun on lähdeävä kaapelin kanssa rajalta, ympäröivät suojattavat alueet ja vietävä sen jälkeen kaapeli takaisin rajalle kuvan 1 mukaisesti.

Jos suojattavat alueet ovat kaukana nurmikon rajasta tai jos suojattavia alueita ja puunjuuria on useita, tämä perinteinen menetelmä vie aikaa.

Hyvä vaihtoehto on hankkia Landroidin Off-Limits. Voit helposti määritellä kielletyt alueet digitaalisella Off-Limits -aidalla, eikä sitä tarvitse liittää rajalenkkiin (kuva 2). Digitaalinen Off-Limits -aita on erinomainen myös ajoittain käytettävien laitteiden (kuten trampoliinin) suojaamiseen sekä suojattavan alueen muutoksiin ilman kaapelilla rajatun aidan muuttamista.



2. Esteiden tunnistaminen

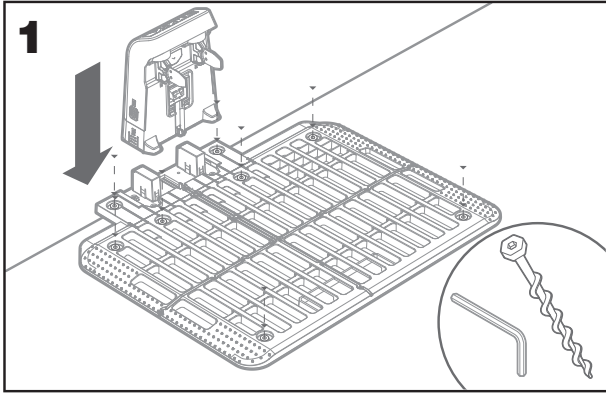
Landroidin törmäysanturi havaitsee kiinteät esteet kuten puut, kalusteet yms. eikä niitä tarvitse suojata kaapelilla. Jos lähekkäin on useita kiinteitä esteitä kuten puita, suosittelemme hankkimaan Landroid ACS. Se on ultraäänillä toimiva autopilotti, joka ohjaa Landroidin esteiden ohi törmäämättä niihin.

NYT KÄÄRITÄÄN HIHAT! TEHTY ON TEHTY!

Nyt kun olet suunnitellut asentamisen yksityiskohtaisesti, voimme ryhtyä toimeen. Ennen aloittamista käytämme vanhaa ruohonleikkuriasi viimeistä kertaa nurmikon siistimiseen asentamisen helpottamiseksi.

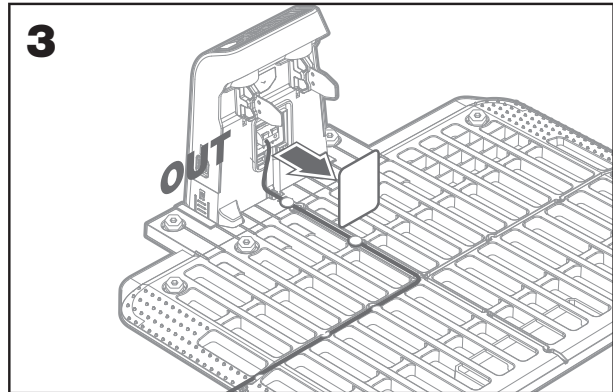
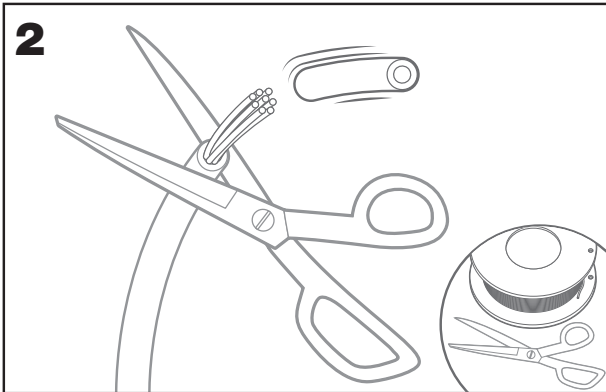
1. Laita latausasema valittuun paikkaan.

- A. Aseta latauspino latausalustaan. Kiinnitä sitten latausasema maahan mukana toimitetulla kuusiokoloavaimella mukana toimitetuilla ruuveilla (kuva 1)
- B. Jos kiinnität asemaan kovaan alustaan, käytä proppuja (ei mukana toimituksessa).



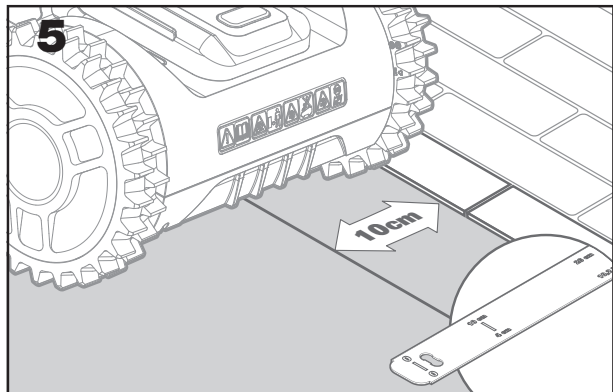
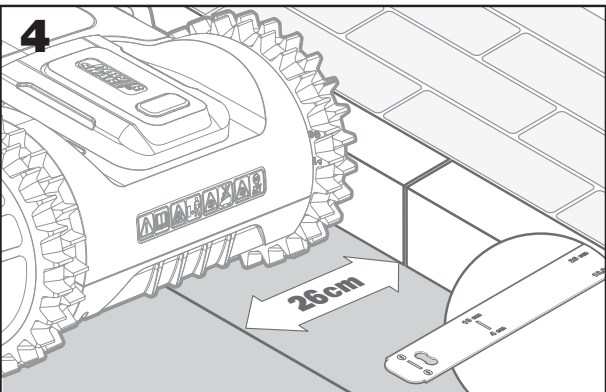
2. Liitä rajakaapelin toinen pää latausasemaan.

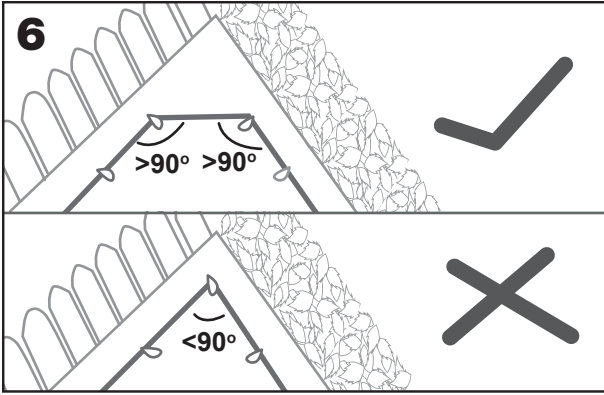
- A. Kuori johdon päätä saksilla (kuva 2).
- B. Avaa muoviluukku ja liitä kuorittu pää vasemmanpuoleiseen punaiseen kiinnittimeen (kuva 3)
- C. Vie lanka pohjan ohjaimen läpi kuvan 3 mukaisesti



3. Levitä rajakaapeli nurmikon ympärille.

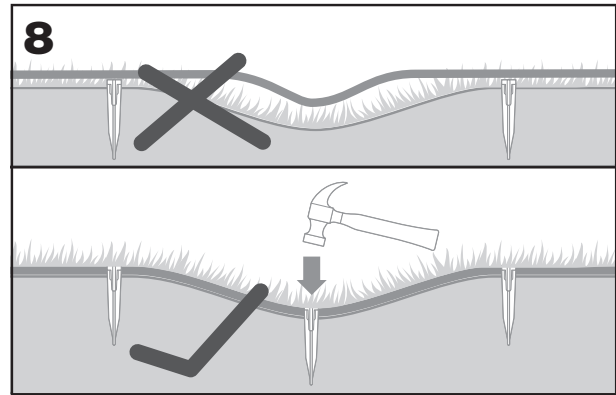
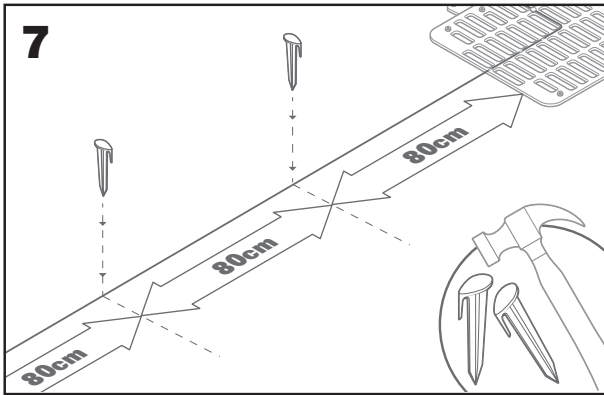
- A. Käytä mukana toimitettua mittaria määritelläksesi etäisyyden reunaan.
- B. Jos nurmikkosi reunalla on askelma, aseta kaapeli 26 cm:n etäisyydelle siitä (kuva 4).
- C. Jos askelmaa ei ole, aseta kaapeli 10 cm:n etäisyydelle (kuva 5)
- D Varmista, että rajaviiva on täysin suora jokaisessa kulmassa ja että rajaviivan kulma on yli 90 °.





4. Kiinnitä kaapeli koukuilla.

- A. Aseta koukkuja n. 80 cm:n etäisyydelle toisistaan (kuva 7)
- B. Varmista, että kaapeli on kaikkialta kosketuksissa maahan (kuva 8).

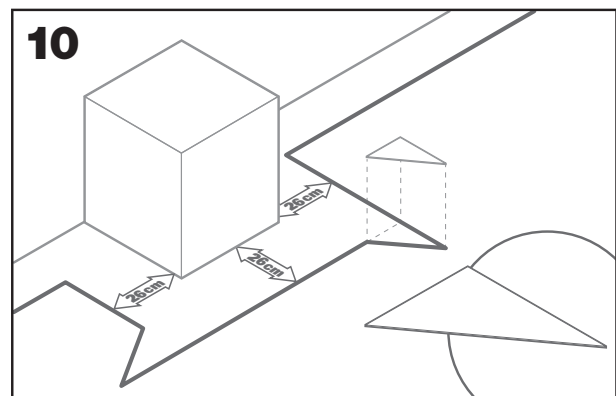
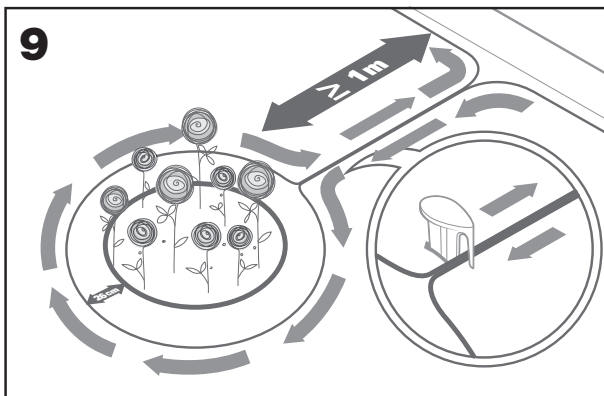


5. Tee tarvittaessa saarekkeita.

- A. Suojaa kukkapenkit, lammikot, puiden juuret ja muut tarvittavat alueet ympäröimällä ne rajakaapelilla.
- B. Vedä kaapeli reunalta oikeassa kulmassa suojeltavan alueen saavuttamiseksi.
- C. Ympäroi suojeltava alue pitäen 26 cm:n etäisyyden kunnes olet ympäröinyt saarekkeen.
- D. Vedä kaapeli aina myötäväivään. Muutoin ruohonleikkuri ajaa sisään saarekkeeseen.
- E. Palaa nurmikon reunaan samaa reittiä.

6. Kuinka tehdään täydellisiä 90 asteen kulmia nurmikkoon nähden.

Jos nurmikolla on 90 asteen kulmia nurmikon sisäpuolelle päin, mittaa kulmamitalla auttaaksesi Landroidia tekemään täydellisiä käännoiksi (ja vähentämään riskiä, että Landroid törmää esteeseen nurmikon rajalla kääntyessään).



7. Lenkin sulkeminen

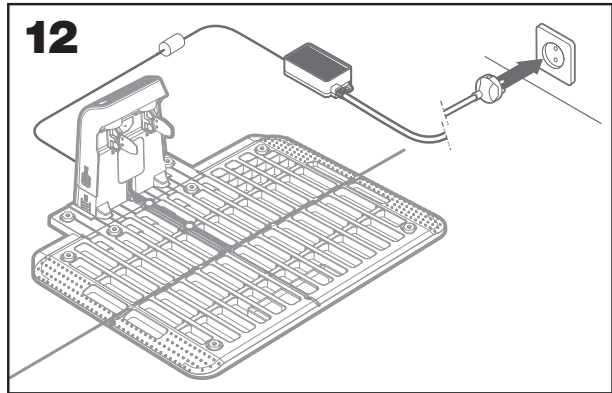
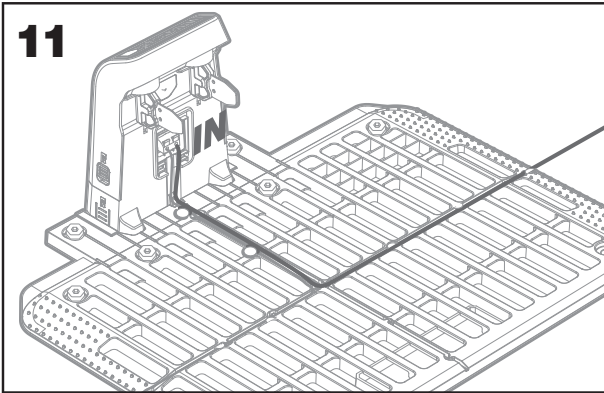
Kun olet vetänyt kaapelin nurmikon ympärille, palaat takaisin latausasemalle.

- A. Vedä kaapeli pohjan ohjaimen läpi ja ylös kiinnittimeen (kuva 11).
- B. Leikkaa pois ylimääräinen kaapeli ja kuori kaapelin päätä saksilla.
- C. Kiinnitä kuorittu kaapelin pää mustaan kiinnittimeen.

8. Viimeiset vaiheet

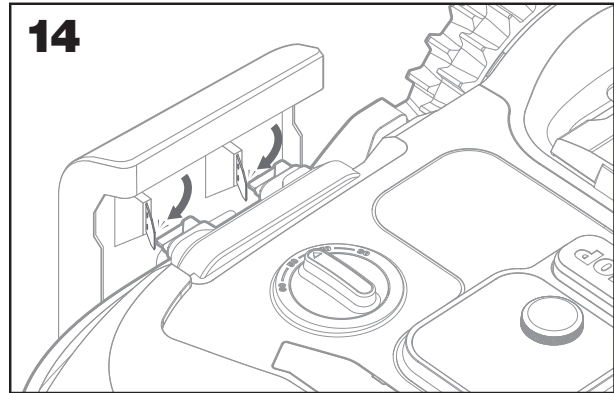
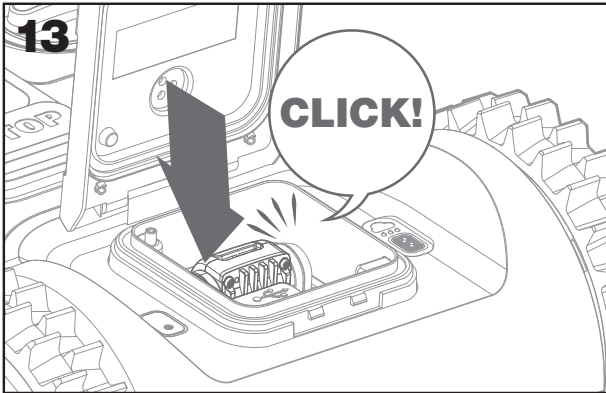
Työsin vaihe on tehty! Enää muutama vaihe jäljellä:

- A. Liitä latausasema virtapistokkeeseen (kuva 12).
- B. Jos kaikki on niin kuin pitää, vihreä merkkivalo syttyy.
- C. Jos rajakaapelin vetämisessä on ongelmia, jos kaapeli on esim. katkennut tai sitä ei ole kiinnitetty oikein kiinnittimiin, punainen merkkivalo palaa. Tarkista, että kaikki on kohdillaan ja tarvittaessa katso kohtaa Usein kysytyt kysymykset.



D. Avaa Landroidin takaosa ja aseta PowerShare-akku koteloonsa siten että se napsahtaa paikalleen (kuva 13).

E. Aseta Landroid latautumaan ja varmista, että sillä on varma kontakti alustan kanssa (kuva 14). LED vilkkuu vihreänä: kun akku on täyteen ladattu, LED alkaa palaa tasaisen vihreänä.



F. Anna Landroidin ladata akkua jonkin aikaa. Latauksen aikana voit pitää ansaitun tauon ja tutustua seuraaviin ohjeisiin, kuinka Landroid yhdistetään WiFi-verkkoon.

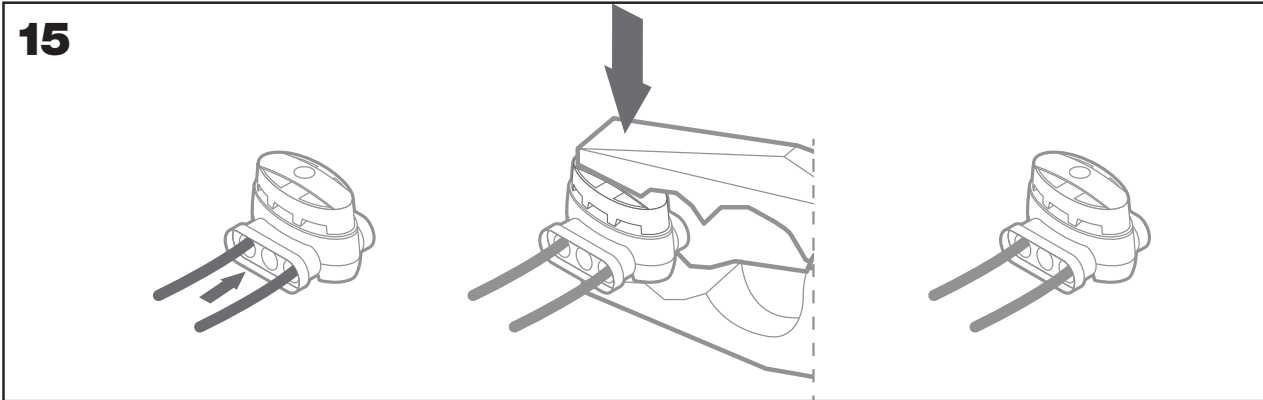
9. Rajakaapelin liittäminen

Landroidin laatikossa on kaksi pientä vedenpitävää rajakaapelin liittintä. Niitä voidaan käyttää seuraaviin tarkoituksiin:

- A. Jos kaapelia vedetään pitkälle matkalle, asennukseen tarvitaan lisäkaapelia. Kaapeli saa olla pituudeltaan korkeintaan 300 m.
Tämä on rajakaapelin enimmäispituus.
- B. Jos rajakaapeli katkeaa vahingossa ja se on korjattava.
- C. Jos teet muutoksia puutarhaasi ja rajakaapeli on muutettava sen mukaisesti.

Liittimet ovat vedenkestäviä ja ne johtavat sähköä parhaalla mahdollisella tavalla. (Fig. 15).

- A. Laita kaapelin molemmat päät liittimien kahteen tai kolmeen reikään. Kaapelia ei tarvitse kuoria.
- B. Työnnä kaapelin molempia päitä kunnes ne näkyvät liittimen toisella puolella.
- C. Paina liittintä tiukasti pihdeillä.

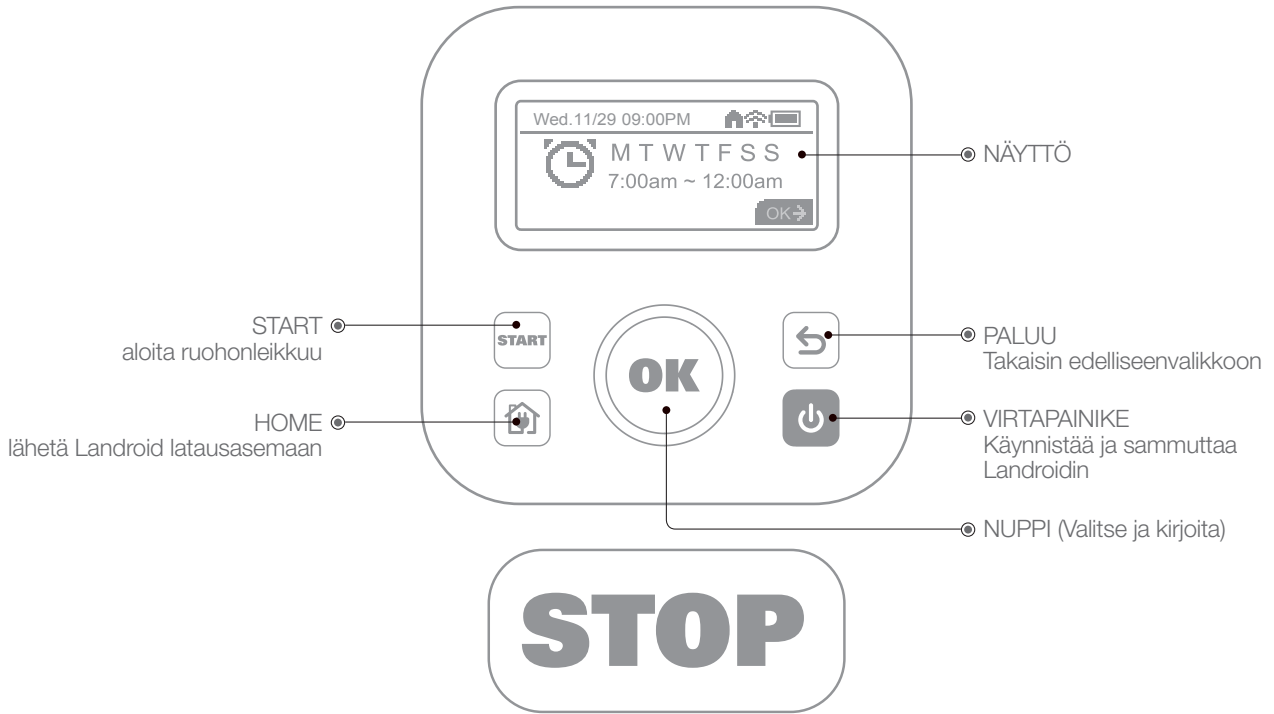


⚠ Huom! Rajakaapelia ei suositella liitettäväksi yhteen yksinkertaisesti eristysnauhalla tai ruuveilla yhteyden muodostamiseksi, sillä ajan myötä maan kosteus saattaa hapettaa kaapelin ja aiheuttaa oikosulun.

NYT SEURAA JÄNNITTÄVÄ VAIHE! LANDROIDIN KÄYNNISTÄMINEN ENSIMMÄISTÄ KERTAA.

Tutustu ohjauspaneeliin

Landroidin ohjauspaneelissa on tärkeimmät toiminnot yksinkertaisessa muodossa. Landroidin ilmaisen sovelluksen avulla voit käyttää edistyneempiä toimintoja älypuhelimella.



Landroidin käynnistäminen

- Aseta Landroid rajakaapelin alueen sisäpuolelle
- Paina a kunnes näytölle syttyy valo. Syötä sitten PIN-koodi
- Valitse numero kiertämällä -näppäintä myötäpäivään ja vahvista painamalla -näppäintä yksi kerrallaan.. Näytöllä lukee 'PIN code OK'
- Paina ja sen jälkeen . Landroid aloittaa ruohonleikkuun.
- Voit pysäyttää Landroidin milloin tahansa painamalla
- Landroidin voi lähettää latausasemaansa painamalla a ja sen jälkeen .

Huomaa: Oletus-PIN-koodi on 0000

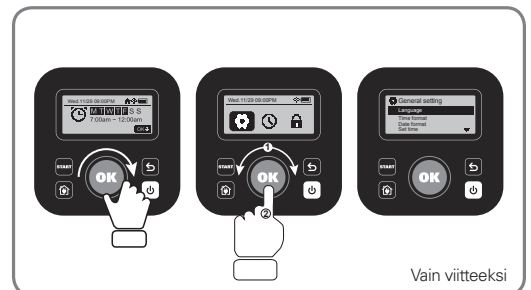
LANDROIDIN SÄÄTÖPANEELI

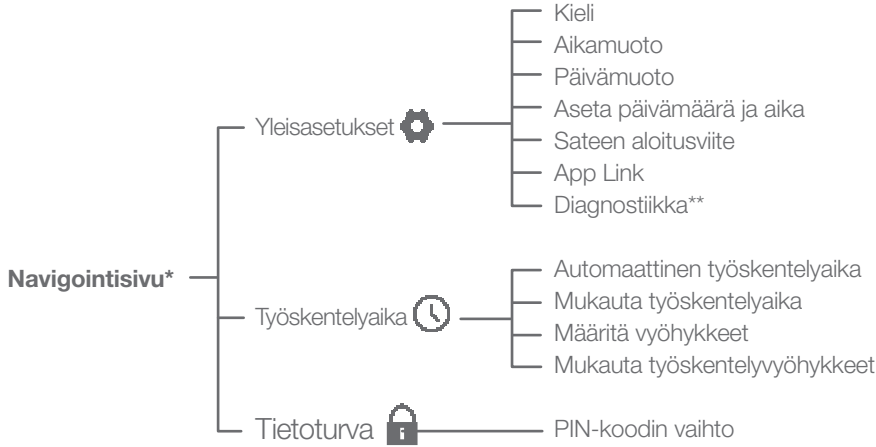
Edistyneiden toimintojen käyttäminen käyttöliittymän kautta

Vaikka ohjauspaneeli on yksinkertainen, sen kautta voidaan asettaa käyttöön useita edistyneitä toimintoja. Parhaan käyttökokemuksen saat kuitenkin käyttämällä Landroidin ilmaista sovellusta, joka on intuitiivinen ja paljon monipuolisempi .

1. Perustaa

- Käännä myötäpäivään päästäksesi asetukseen
- Käännä sitten valitaksesi "Yleiset asetukset " / "Työtunnit " / "Suojaus ", paina lyhyesti päästäksesi.
- Käytä samaa menetelmää seurantatoimenpiteiden toteuttamiseksi.



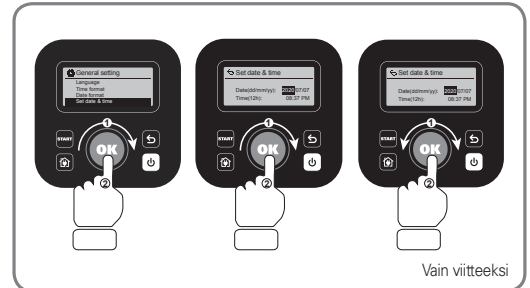


* Päivitä jatkuvasti ohjelmistoversion mukaan.

** Vain huoltopalvelua varten

2. Aseta päivämäärä & Aika

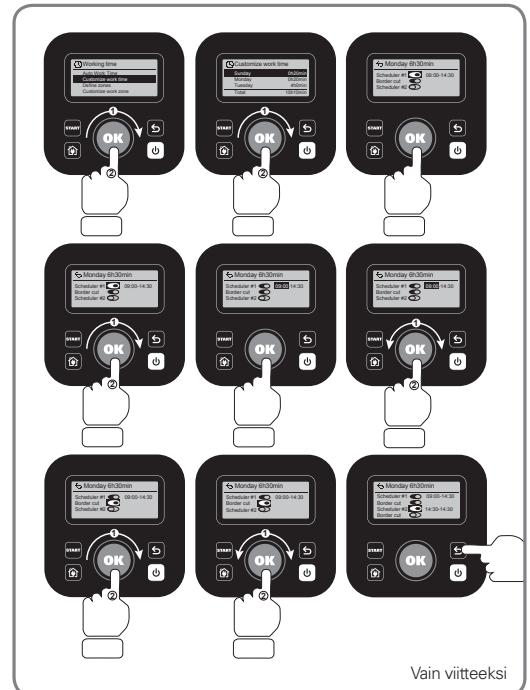
- Takaisin kohtaan "Yleiset asetukset"
- Kierrä myötäpäivään **OK** "Aseta päivämäärä & Aika" ja siirry sitten painamalla lyhyesti.
- Kierrä sitten myötäpäivään **OK** Valitse "Päivä" ja Lyhyt painallus. Valittu numero vilkkuu.
- Seuraava , **OK** Valitse numero kääntämällä ja vahvistä painamalla lyhyesti. Käytä samaa menetelmää "Kuukausi / vuosi / aika" loppuun.



3. Mukautettu työaika

- Takaisin työaikaan
- Kierrä myötäpäivään **OK** Siirry kohtaan "Mukautettu työaika" ja siirry sitten painamalla lyhyesti.
- Kierrä myötäpäivään **OK** Valitse viikonpäivä ja paina sitten lyhyesti.
- Syötä sitten asetukset painamalla **OK**.
- Kierrä myötäpäivään **OK** aktivoiaksesi "Aikataulu#1". Vahvistä painamalla lyhyesti **OK**.
- Seuraava, kiertäminen myötäpäivään **OK** Valitse aloitusaika "tunti / minuutti" ja syötä sitten asetukset painamalla lyhyesti. Valittu numero vilkkuu.
- Kierrä **OK** valitaksesi aloitusajan, jonka haluat LANDROIDin leikkaavan tietynä päivänä, vahvistä sitten painamalla lyhyesti. Käytä samaa menetelmää lopetusajan loppuun saattamiseksi.
- Sen jälkeen kiertäminen myötäpäivään **OK** ja lyhyt painallus päästäksesi "runkoleikkaus" -asetukseen.
- Kierrä **OK** valitaksesi, aktivoidaanko "Border Cut", ja vahvistä sitten painamalla lyhyesti.
- Jos haluat asettaa "Aikataulu# 2 **", käytä samaa menetelmää kuin yllä.
- Paina **OK** ja aseta samalla tavalla muiden työpäivien työajat.

* Kaksi aikataulua voidaan asettaa yhdessä päivässä.



4. Työajan säätäminen

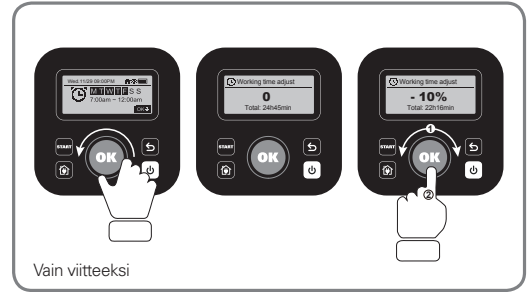
Voit säätää nopeasti viikon työaika. Ajan kasvu / vähennys kohdennetaan tasaisesti vaadittuihin työpäiviin

A. Palaa päänäyttöön.

B. Kierrä vastapäivään **OK** Aktivoi työajan säätö.

HUOM: Kokonaisaika perustuu mukautettuun työaikaan ja sitä voidaan säätää 10% kaltevuudella.

C. Säädä sitten kiertämällä **OK** ja vahvista painamalla lyhyesti.

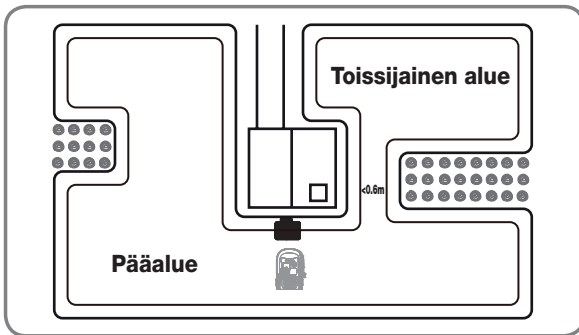


Vain viitteeksi

5. Yhden leikkauksen asetus

Jos numikollasi on useita käytävillä yhdistettyjä alueita, leveyden tulisi olla vähintään 0,6 m Jos käytävä on kapeampi kuin 0,6 m , Landroidin on vaikea liikkua niiden välillä. Tässä tapauksessa on suositeltavaa perustaa numikolle ensisijaiset ja toissijaiset alueet. Rajaviiva tulisi sijoittaa kuvan osoittamalla tavalla.

Joustaville työasetuksille (palataanko latausasemalle ja leikataanko kehys), varsinkin kun Landroid sijaitsee apualueella ilman latausasemaa, Times leikattu.



- Aseta Landroid rajaviivan sisään.

- Kun Landroid on kytketty latausasemaan .

A. Palaa päänäyttöön.

B. Paina nopeasti **START** kolme kertaa.

C. Kierrä myötäpäivään **OK** Valitse "Kotilahja? - KYLLÄ / EI " (riippumatta latausasemasta onko se tällä alueella), siirry sitten asetukseen painamalla lyhyesti. Valittu sana vilkkuu ja vahvista painamalla lyhyesti.

D. Kierrä seuraavaksi **OK** Valitse "Ota reunaleikkaus kyllä / ei" (haluatko leikata reunat) ja paina sitten lyhyesti. Valittu sana vilkkuu ja vahvista painamalla lyhyesti. Käytä sitten "työaika" loppuun samalla menetelmällä.

E. Käänä sitten myötäpäivään **OK** Valitse "Käynnistä" ja aloita trimmaus painamalla lyhyesti

Huomio: Landroid palaa latausasemalle Akun lataamiseksi Loppu tai leikkusaika on ohi. Jos Landroid on ladattu täyteen eikä asetettu aika ole kulunut umpeen, Landroid jatkaa leikkaamista ajan loppuun asti.

- Kun Landroid on irrotettu latausasemasta ,

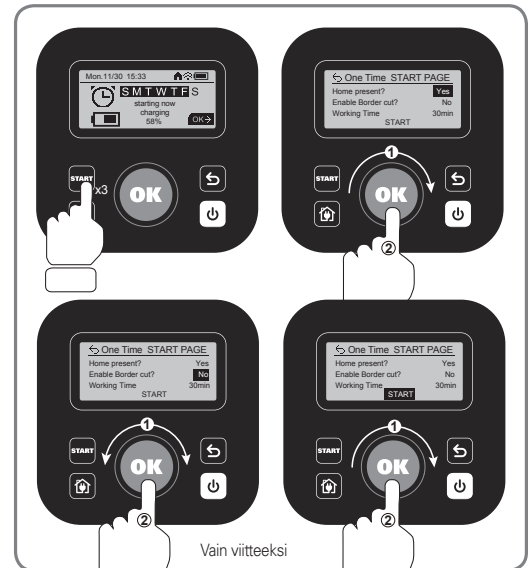
A. Palaa päänäyttöön.

B. Paina nopeasti **START** kolme kertaa.

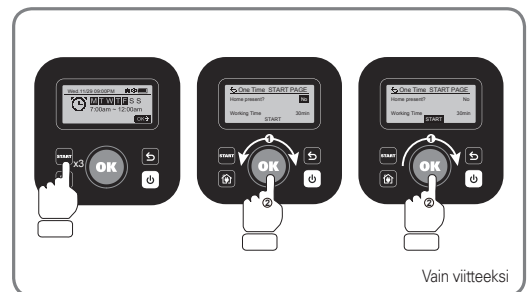
C. Kierrä **OK** Valitse "Kotilahja?" - KYLLÄ / EI " (Latausasema Onko se tällä alueella) ja paina lyhyesti Syötä asetukset . Valittu sana vilkkuu ja vahvista painamalla lyhyesti. Käytä samaa tapaa täyttääksesi "työajan".

D. Käänä sitten myötäpäivään **OK** Valitse "Käynnistä" ja aloita trimmaus painamalla lyhyesti

Huomaa: Kun Landroid sijaitsee pääalueella (yleensä latausasemalla) , se palaa latausasemaan käytetään lataamiseen, kun akku on käytetty loppuun tai leikkusaika on lopussa. Jos Landroid on ladattu täyteen eikä asetettu aika ole kulunut umpeen, Landroid jatkaa leikkaamista ajan loppuun asti. Kun Landroid on toissijaisella alueella, se lopettaa leikkaamisen ja pysyy paikoillaan, kun akku on tyhjä, leikkusaika on tullut, Landroid kohtelee jotain ongelmia (esimerkiksi kaatumisia ja muita) tai painaa manuaalisesti "STOP" .



Vain viitteeksi



Vain viitteeksi

LANDROIDIN YHDISTÄMINEN INTERNETIIN

Miksi Landroid kannattaa yhdistää

Landroid voidaan yhdistää Wi-Fi- tai Bluetooth-yhteyden kautta. Landroid on IoT (Internet of Things) -laite. Jotta saat Landroidista parhaan mahdollisen hyödyn, sen ohjelmisto kannattaa pitää aina päivitettyinä. Voit tehdä sen yhdistämällä laitteen WiFi-verkkoon.

ENNEN ALOITTAMISTA

1. Lataa sovellus

Lataa ensin Landroid-sovellus. Androidille tai Applelle.

2. Varmista, että sinulla on:

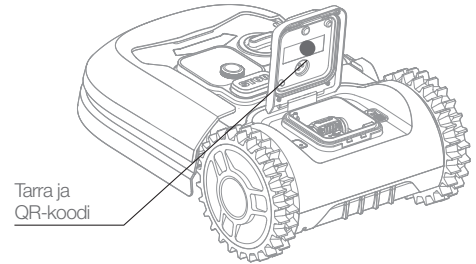
- A. WiFi-verkkosi salasana / älypuhelimien Bluetooth-toiminto
 - B. Landroidin sarjanumero on tarrassa laitteen takakotelon kannessa.
- Ellet halua kirjoittaa 20-numeroista sarjanumeroa, voit skannata QR-koodin kameras puhelimella.

3. Tarkista Wi-Fi -asetukset Wi-Fi-yhteys

- A. Landroid toimii 2.4GHz Wi-Fi-signaalilla
 - B. Varmista, että Landroid on yhteydessä samaan reitittimeen kuin älypuhelimesi.
 - C. Varmista, että Landroid, älypuhelimesi ja reitittimesi ovat mahdollisimman lähellä toisiaan yhteyden aikana.
- Vinkki: kun Landroid liikkuu nurmikolla alueelle, jolla on heikko WiFi-signaali tai yhteyttä ei ole lainkaan, sovelluksen antamat ohjeet toteutetaan vasta sitten, kun laite palaa alueelle, jolla on parempi signaali.

Bluetooth-yhteys

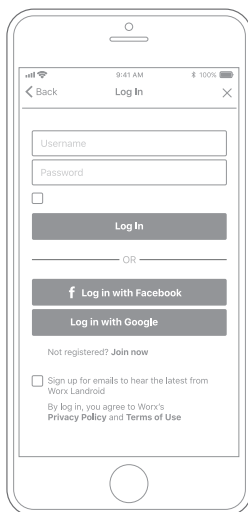
- A. Älypuhelimien Bluetooth-toiminto on aktivoitu.
- B. Varmista, että Landroid on liitettävissä olevan etäisyyden sisällä.



KUINKA LANDROID YHDISTETÄÄN INTERNETIIN

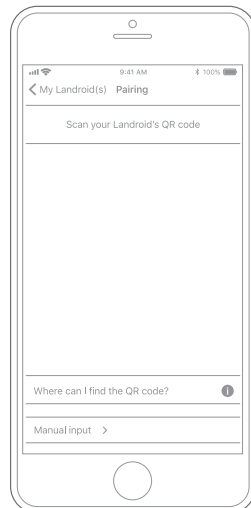
Avaa sovellus ja noudata seuraavia ohjeita.

1. Rekisteröi tilisi



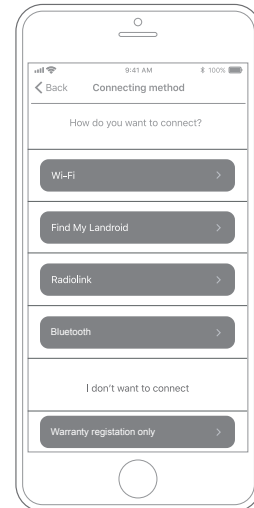
Rekisteröi tilisi antamalla käyttäjätunnus ja salasana tai kirjautumalla Facebookin tai Googlen kautta.

2. Anna Landroidin sarjanumero



Rekisteröi Landroid kirjoittamalla sen sarjanumero tai skannaamalla QR-koodi.

3. Valitse yhteys

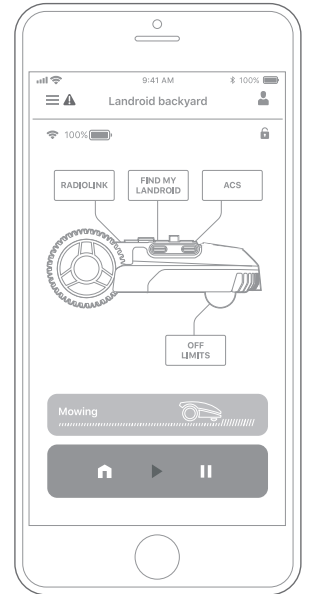


Valitse Wi-Fi-verkko tai Bluetooth, tai voit muodostaa yhteyden Landroidiin etsimällä Landroid tai RadioLink vaihtoehtoani.

Jos WiFi verkko ei kata koko nurmikkoaluetta, harkitse Landroid RadioLinkhankkimista. Se laajentaa signaalin ulottuvuuden 300 metrin. Voit myös hankkia Find My Landroid, jonka avulla Landroidin voi yhdistää internetiin sisäisellä SIM-kortilla. Sen avulla voit myös jäljittää laitteen, jos se varastetaan.

LANDROID-SOVELLUS EI PELKÄSTÄÄN KAUKO-OHJAIN

Älä ajattele sovellusta pelkkänä kauko-ohjaimena. Se on olennainen osa Worx Landroidin edistynyttä pilvilaskentaa ja tekoälyyn perustuvaa ekojärjestelmää. Sovelluksen lisätty todellisuustoiminto auttaa mittaamaan tarkasti nurmikkosi alan. Se käy yhtä helposti kuin kävelemällä pitkin rajoja. Monet tekijät vaikuttavat ruohon kasvunopeuteen. Landroid yhdistää ne ja määrittää parhaan hoidon nurmikolle. Päivästä päivään



⚠ ADVARSEL: Les gjennom alle advarslene og alle anvisningene. Hvis advarslene og anvisningene ikke følges, kan det forårsake elektriske støt, brann og/eller alvorlige skader. Les nøye gjennom anvisningene for trygg bruk av maskinen. Ta vare på alle advarsler og anvisninger slik at du kan lese dem senere.

SLIK FUNGERER LANDROID

I det neste avsnittet vil vi fortelle deg mer om hvordan Landroid fungerer. Landroid er en selvgående maskin som er i stand til å fungere på egen hånd. Den vet selv når den må gå til ladestasjonen, kan føle når det regner, kan stoppe hvis den merker at det er et problem og vet hvordan den skal stoppe, rygge og snu seg rundt når den støter på noe som sperrer veien for den. Landroid vil også automatisk stoppe knivplaten fra å rotere hvis den løftes fra bakken for å forhindre en ulykke.

Selv-ladende



Når Landroid trenger opplading, stopper den å klippe og følger grenseledningen mot klokka tilbake til ladestasjonen. Når ladingen er fullført, vil Landroid automatisk fortsette å klippe eller forbli i ladestasjonen i henhold til tidsplanen.

Kantbehandling



Landroid er programmert til å trimme gress langs omkretsen av plenen to ganger i uken på Mandager og Fredager. Hvis du vil endre denne forhåndsinnstillingen, kan du gjøre det på smarttelefonen eller ved å bruke kontrollpanelet i menyen "Arbeidstid-Tilpass arbeidstid" Se detaljerte instruksjoner bakerst i denne brukermanualen.

Regnsensor



Landroid er 100 % værbestandig og liker å være ute. Men å klippe mens gresset er vått gir deg ikke den beste overflaten, eller resultatet. Landroid er utstyrt med en regnsensor som føler når det regner, og ber da Landroid å stoppe klippingen og gå tilbake til ladestasjonen.

Regnforsinkelse



Landroid starter igjen når gresset ikke lenger er vått. Standard forsinkelsestid etter en regnskur er 180 minutter. Du kan endre innstillingen for regnforsinkelse i Landroid-appen.

I mer ekstremt vær



Hvis det lyner bør du beskytte Landroid ved å trekke ut ladestasjonen, koble fra grensekabelen og sørge for at Landroid ikke har muligheten til å lade. Vi anbefaler at du oppbevarer Landroid inne om vinteren, spesielt hvis det er veldig kaldt og snø. I noen land tilbyr vi vinterlagring for Landroid, slik at den er klar når vårsesongen kommer. Kontakt forhandleren, eller sjekk på nettet for mer informasjon.

Ikke noe mer gress å samle opp

På grunn av Landroids daglige klipping, kuttet det svært lite gress per gang, og dette trengs derfor ikke å rakes opp. Det klippede gresset er perfekt organisk næringsstoff for plenen. Hyppig klipping øker gressets tetthet, og forhindrer effektivt utbredelse av ugress.

Kantklipping

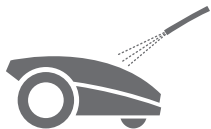
Det spesielle motvektsbladet klipper så nært som mulig til plenkanten, som betyr minimalt behov for stussing.

Klippehøyde

Sørg for at gresset ikke er høyere enn 10 cm første gang du bruker Landroid. Hvis det er lenger bør du bruke en vanlig gressklipper før du setter i gang Landroid. Hvis du ønsker en større endring på gressets lengde anbefaler vi deg å gjøre dette gradvis, ved å justere klippehøyden trinnvis.

Sikkerhet og PIN-kodebeskyttelse

For å forhindre uautoriserte personer i å kunne bruke gressklipperen, er Landroid beskyttet med en PIN-kode som er enkel å konfigurere.

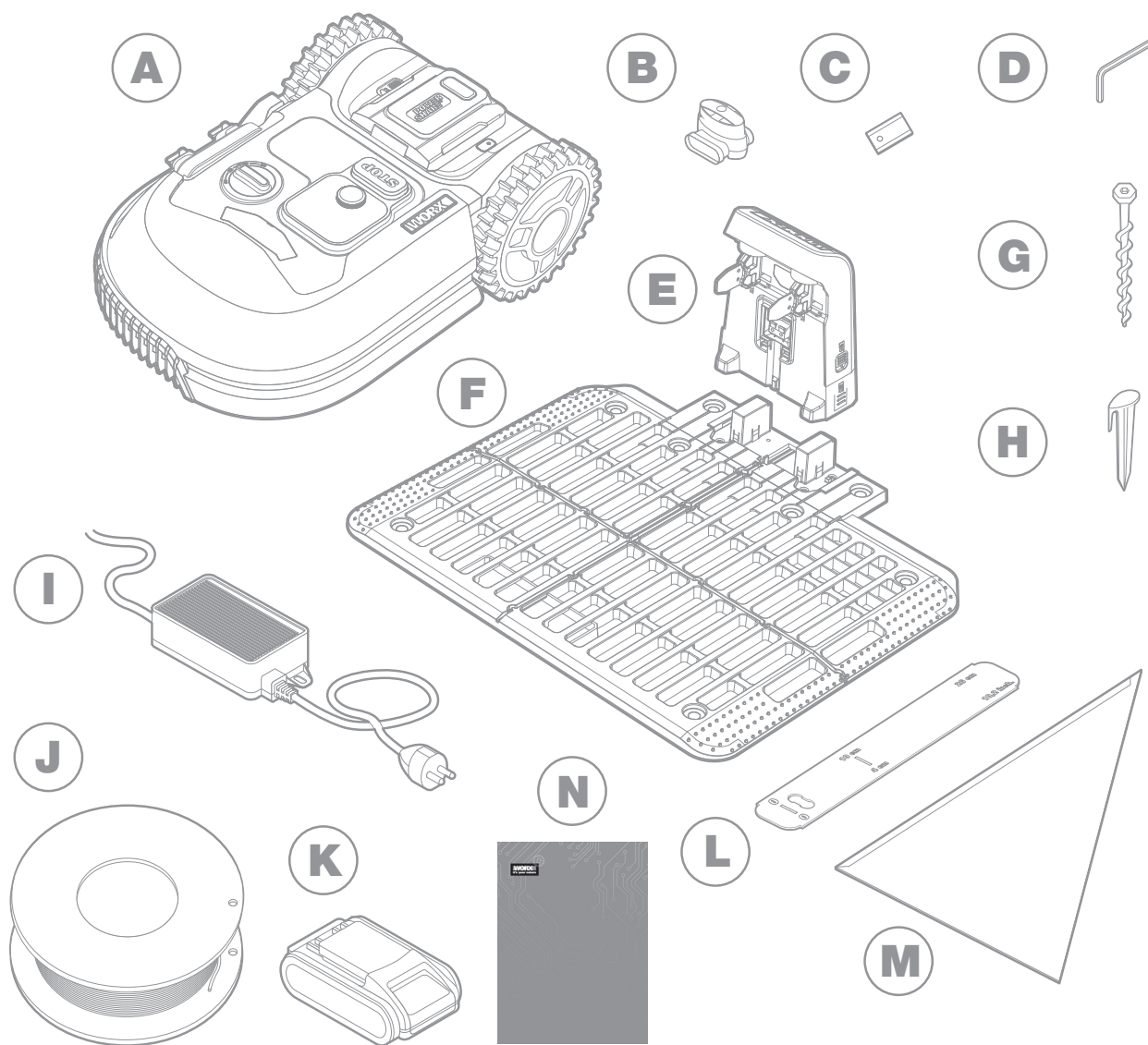
Lett å rengjøre

Takket være sin vanntette IPX5-funksjon, blir Landroid kvitt støv, torv og tøffe omgivelser som oppstår under arbeidet. Få Landroid til å se ut og prestere bedre.

Bakken tracker

Med den nye automatiske heisdesignen kan bladene løftes automatisk for å gi større klaring. Dette hjelper Landroid med å unngå visse situasjoner som kan blokkere andre gressklippere.

ESKENS INNHOLD



Bildet er kun til referanse

- A** Worx Landroid

- B** Koblinger til reparasjon av ledninger

- C** Sett med ekstra knivblader

- D** Sekskantnøkkel

- E** Ladestasjon

- F** Skruer

- G** Ladestabel

- H** Ledningstapper

- I** Strømforsyning

- J** Grenseledning

- K** 20V Batteri

- L** Avstandsmålere til grenseledning

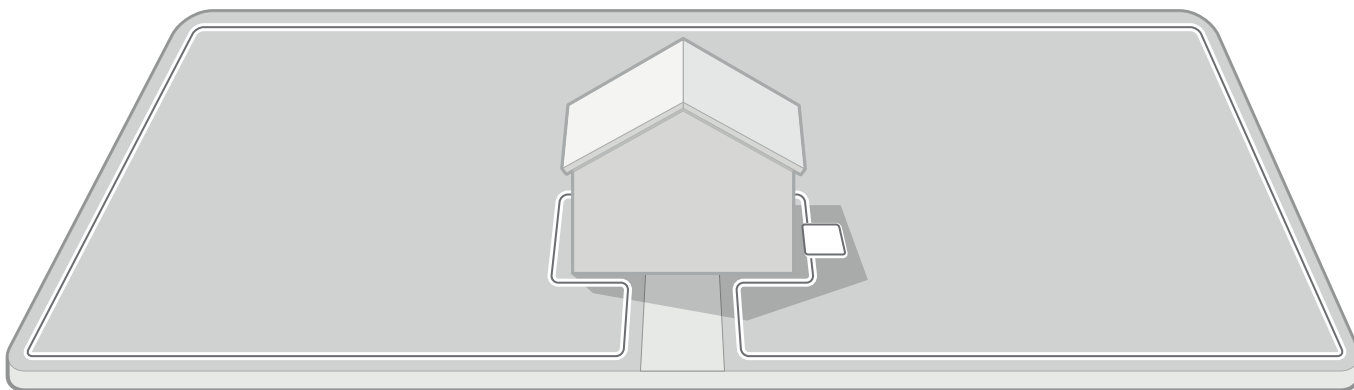
- M** Vinkeljern

- N** Manuell

INSTALLASJON

Å installere Worx Landroid er enklere hvis du følger disse instruksjonene nøye. I bunn og grunn handler det om å installere ladestasjonen og legge grenseledningen i ytterkant av plenen. I tillegg til denne manualen kan du bruke startveiledningen som følger med i esken, og se de omfattende opplærings-videoene våre på YouTube*.

* Denne informasjonen er gitt for enkelthets skyld, men erstatter ikke bruksanvisningen og sikkerhetsinstruksjonene som må leses og forstås.



Tarkista nurmikko asentamisen suunnittelua varten

Asenna latausasema

Viritä raja kaapeli

Liitä latausasema verkkovirtaan

Landroidin virran kytkeminen. Testi ja valmius ruohonleikkuun aloittamiseen

HVERT MINUTT MED PLANLEGGING SPARER DEG FOR 10 MINUTTER MED ARBEID

Å installere Landroid er enda enklere, hvis du har lagd en klar plan på hva du må gjøre. En grundig planlegging vil også gjøre at du unngår feil, eller må gjøre installasjonen på nytt når den først er gjort.

1. Oppå gresset eller nedgravd?

Landroids grenseledning er utformet for å ligge oppå plenen. Den er nesten usynlig og vil etter noen uker bli omsluttet av jorda. Hvis du vil grave ned ledningen, anbefaler vi at du først fester den i jorda og så tester om installasjonen er vellykket, ved å kjøre Landroid over ytterkanten. Dette gjør at du enkelt kan sjekke om alt fungerer, og om nødvendig endre utformingen, før du graver ned ledningen. Ledningen må ikke graves ned mer enn noen få centimeter under bakkenivå, slik at man er sikret et godt signal.

2. Planlegg stedet ladestasjonen skal stå

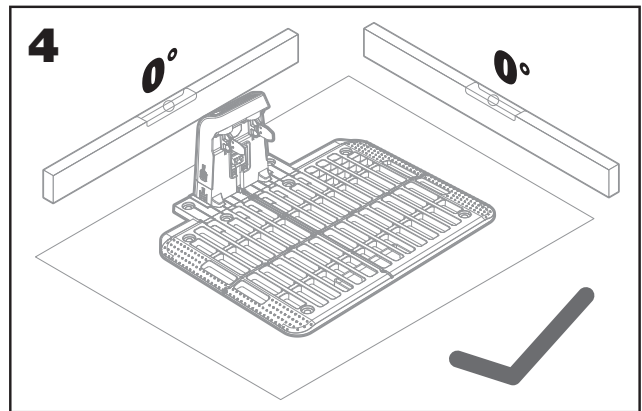
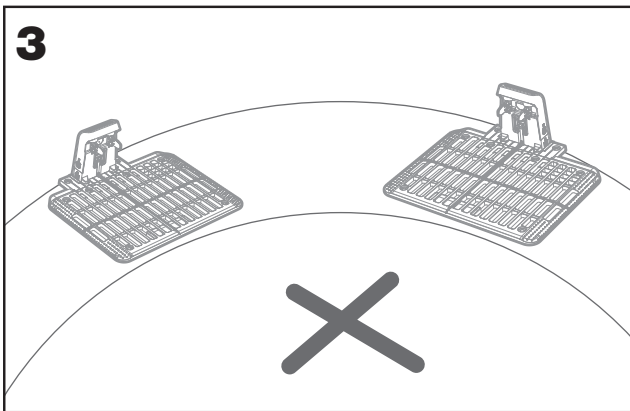
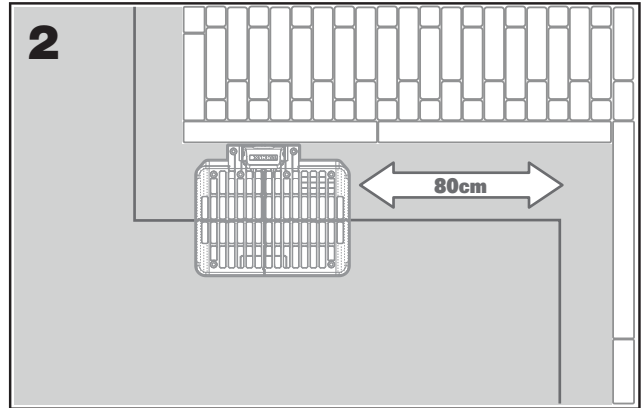
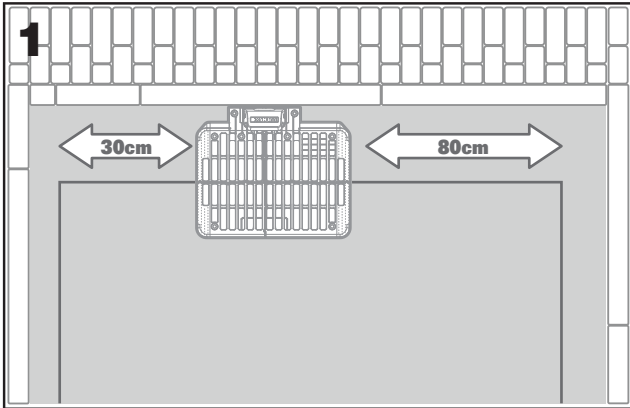
Ladestasjonen, bestående av en lastestabel og en lastebunn, er dit Landroid går for å lade opp batteriet. Det er også parkeringsplassen der den hviler mellom klippingene.

Finn den riktig plasseringen for den, og ha dette i bakhodet:

- A. Den trenger strøm, så det må ikke være mer enn 10 meter fra et vekselstrømuttak
- B. Hvis det er mulig bør du velge en plassering med mye skygge, siden batterier og ladere ikke liker å bli overopphetet.
- C. Ladestasjonen må stå på flatt underlag for å sikre effektiv lading.
- D. Unngå steder i nærheten av vannspredere.

Du kan plassere ladestasjonen på plenen eller på en hard overflate som en gangvei, forutsatt at plenen og den harde overflaten er i samme høyde (ingen trinn).

Landroid trenger minst 80 cm rett vei fremover for å komme inn i ladestasjonen. Der den skal kjøre ut trenger den minst 30 cm rett vei før en venstresving (fig. 1). Hvis svingen er til høyre, er det ikke nødvendig med en rett vei (figur 2).

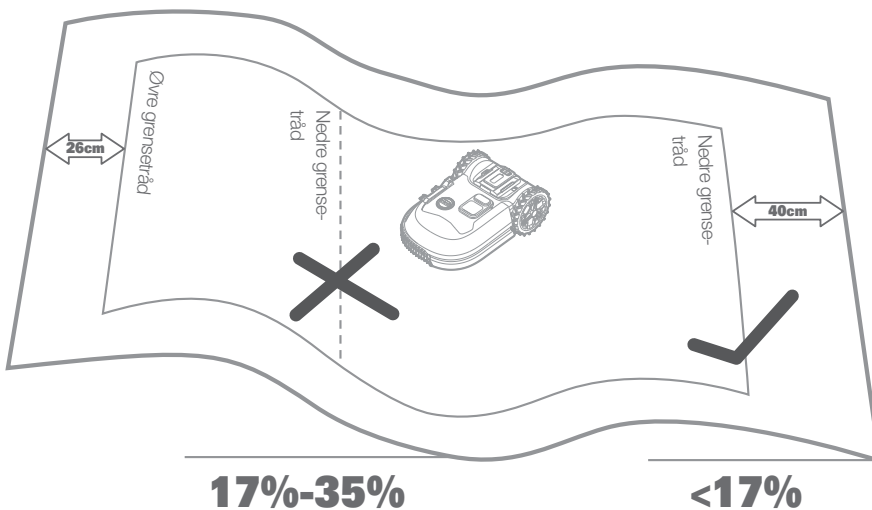


3. Sjekkliste for ladestasjonen:

- A. Innen rekkevidde til strøm
- B. I skyggen
- C. Rett vei ved innkjøringen – rett vei ved utkjøringen hvis det er nødvendig
- D. flatt underlag
- E. Ikke i nærheten av vannspredere

4. Plassering av grensetråd i skråninger

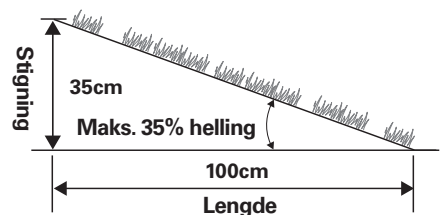
Øvre grensetråd skal IKKE plasseres i skråninger brattere enn 35 % (20°)*. Nedre grensetråd skal IKKE plasseres i skråninger brattere enn 17 % (10°), og skal plasseres minst 40 cm fra ethvert hinder når den plasseres i en skråning som er 17 %.



*Hvordan beregne hellingen på plenen din?

Så hellingen vil være:

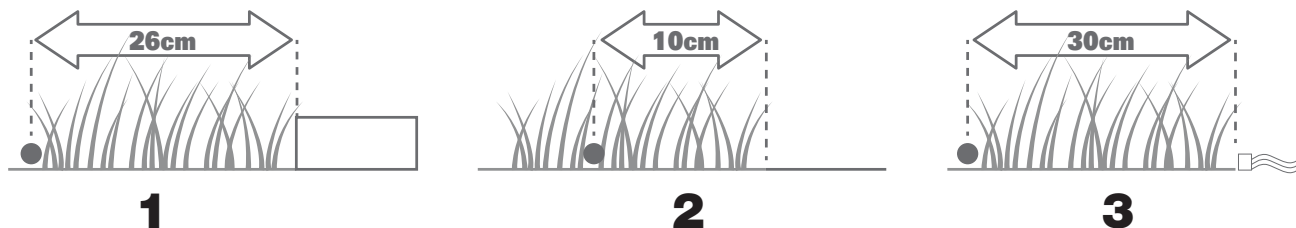
$$\frac{35 \text{ cm (Stigning)}}{100 \text{ cm (Lengde)}} = 35\% \text{ (Helling)}$$



5. Planlegg hvor grenseledningen skal ligge

Ledningen må plasseres i en viss avstand til ytterkanten av plenen. Denne avstanden endres avhengig av hva som er på den andre siden av ytterkanten. Ulike deler av plenen kan grense mot ulike områder:

- A. Hvis ytterkanten av plenen grenser mot et trinn: Legg ledningen 26 cm fra ytterkanten. (bilde 1)
- B. Hvis ytterkanten av plenen grenser mot en sti i samme høyde: Legg ledningen 10 cm fra ytterkanten. (bilde 2)
- C. Hvis kanten av plenen grenser til et basseng: Hold ledningen minst 30 cm fra kanten. (bilde 3)



Hvis en side av plenen din grenser til en naboplen med en aktiv robotklipper, legger du ledningen minst 1 m fra naboenes ledning for å unngå mulig forstyrrelse.

TA EN RUNDE OVER PLENER

Landroid er utformet for å håndtere de aller fleste plener. Gjør en visuell sjekk av plenen, slik at du er forberedt og får en problemfri installasjon av grenseledningen.

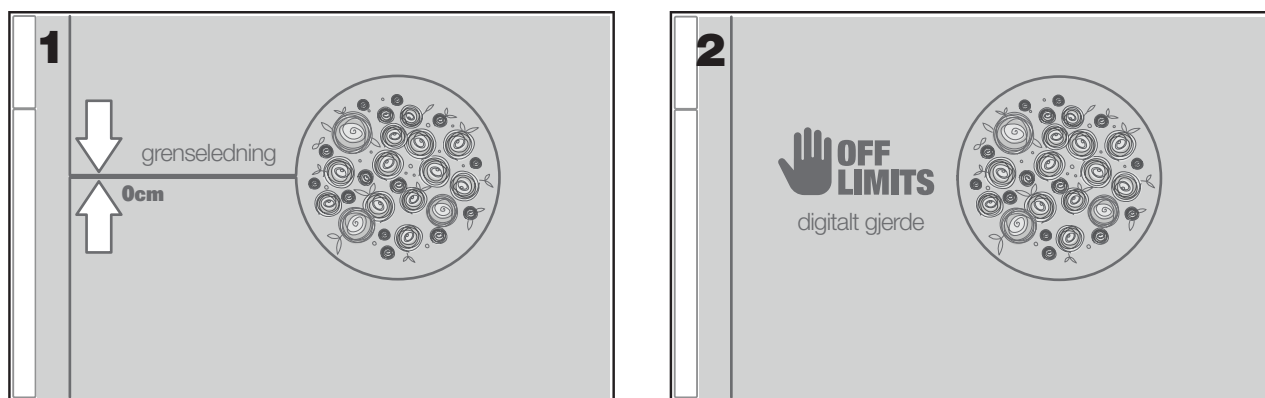
1. Identifiser forbudte områder

Du vil ikke at robotklipperen din skal klippe blomster, dykke ned i et vannbad, eller rive opp røtter som kommer opp fra bakken. Identifiser disse områdene, og legg en grenseledning rundt, for å forhindre at Landroid får tilgang til dem.

Grenseledningen er en enkel sløyfe som er festet til ladestasjonen i begge ender. Du må derfor fjerne ledningen fra yttergrensen, ringe inn området du vil beskytte, og dra ledningen tilbake til yttergrensen som vist her på figur 1.

Hvis områdene som er ringet inn er langt unna yttergrensen av plenen, eller hvis du har flere områder og trerøtter å beskytte, er denne tradisjonelle metoden tidkrevende.

Et godt alternativ er å kjøpe Landroids avgrensingsløsning. Da trekker du bare det digitale Off-Limits rundt de forbudte områdene. Gjerdet trenger ikke å kobles til grensesløyfen (fig. 2). Det digitale Off-Limits er også supert for å beskytte sesongavhengig utstyr (som for eksempel en trampoline), eller for å beskytte nye endringer i utformingen av plenen uten å måtte legge ny grenseledning.



2. Identifiser hindringer

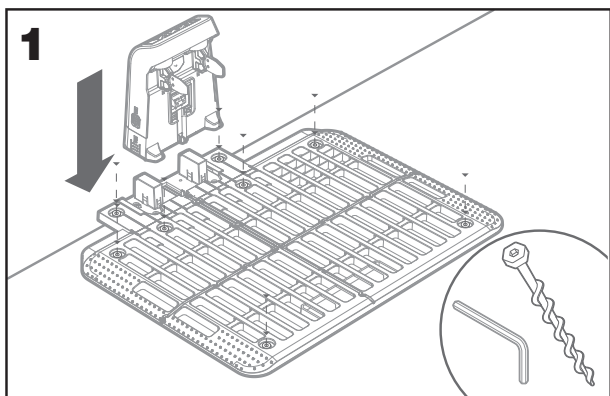
Landroids støtsensor kan takle solide hindringer som trær, møbler og lignende, som ikke trenger å være omgitt av ledninger. Hvis plenen har flere hindringer og trær nær hverandre, anbefaler vi at du kjøper alternativet Landroid ACS, et intelligent ultralydapparat som gjør at Landroid styrer unna hindringer i stedet for å kjøre inn i dem.

PÅ TIDE Å BRETTE OPP ERMENE. GJØR DET OG BLI FERDIG!

Nå som du har planlagt installasjonen ned til minste detalj, er du klar for å sette i gang. Før du starter, så kan det være smart å bruke den gamle gressklipperen en siste gang for å klippe plenen, og gjøre installasjonen enklere.

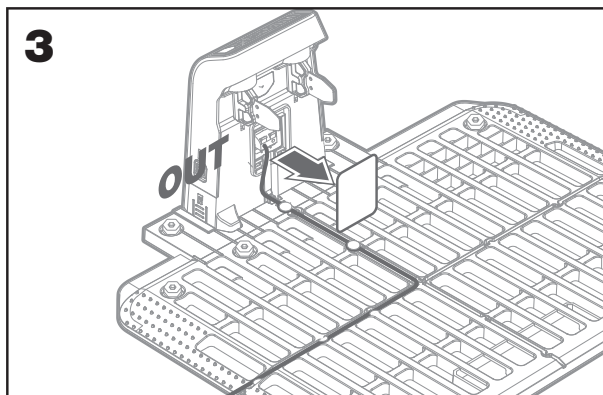
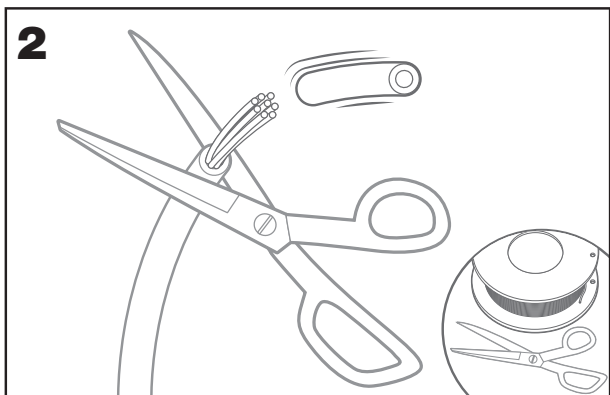
1. Fest ladestasjonen på det valgte stedet

- A. Sett ladestabelen inn i ladestasjonen. Bruk deretter den medfølgende sekskantnøkkelen for å feste ladestasjonen på bakken med de medfølgende skruene (Figur 1)
- B. Hvis du plasserer basen på et hardt underlag, må du feste den med plugger og skruefester (følger ikke med)



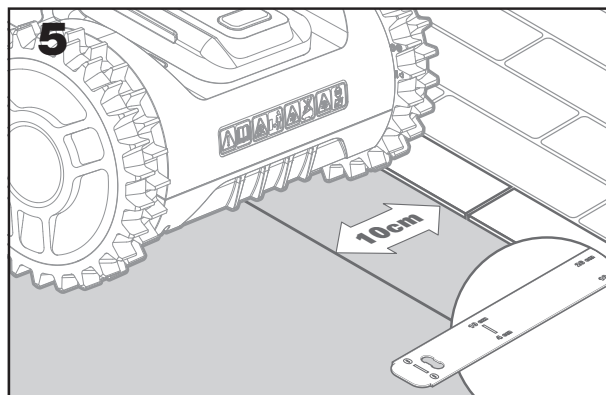
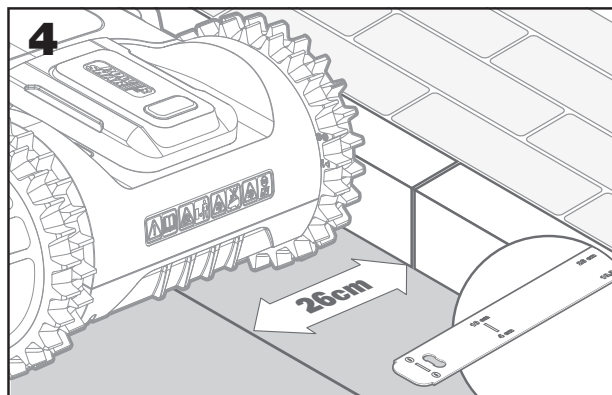
2. Koble den ene enden av grensetråden til ladestasjonen

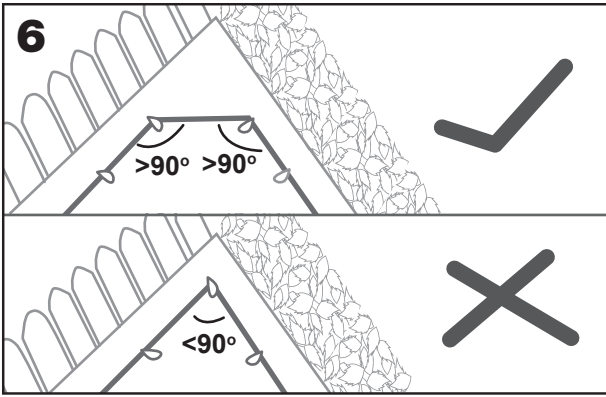
- A. Splitt enden av ledningen med en saks (fig. 2)
- B. Åpne plastdøren og fest den delte enden inn i den røde klemmen til venstre (figur 3)
- C. Før ledningen gjennom styreskinnen i basen, som vist på fig. 3



3. Legg grenseledningen rundt plenen

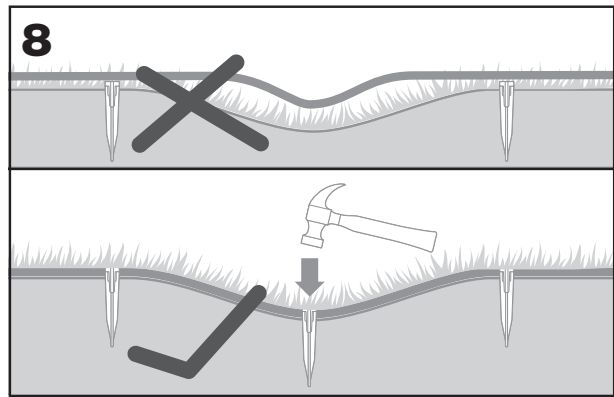
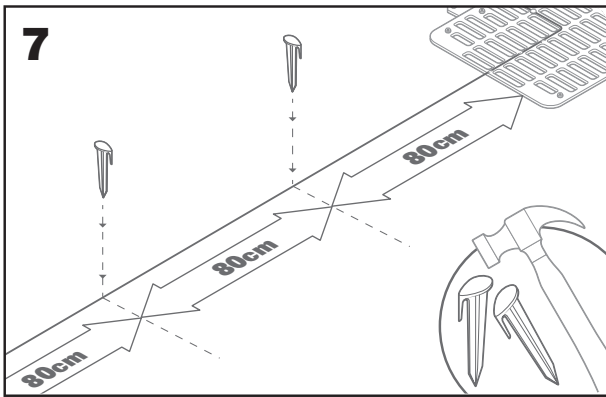
- A. Bruk den medfølgende måleren for å måle hvor lang grenseledningen må være til ytterkanten
- B. Hvis det er et trinn i ytterkanten av plenen, skal ledningen plasseres 26 cm fra den (fig. 4)
- C. Hvis det ikke er noe trinn, skal ledningen plasseres 10 cm fra ytterkanten (fig. 5)
- D. Forsikre deg om at grenselinjen er helt rett i hvert hjørne, og at vinkelen på grenselinjen er større enn 90°.





4. Fest ledningen til bakken med plugg

- A. Plasser pluggene ca. 80 cm fra hverandre (fig. 7)
- B. Sørg for at ledningen alltid er i nærkontakt med bakken (fig. 8)

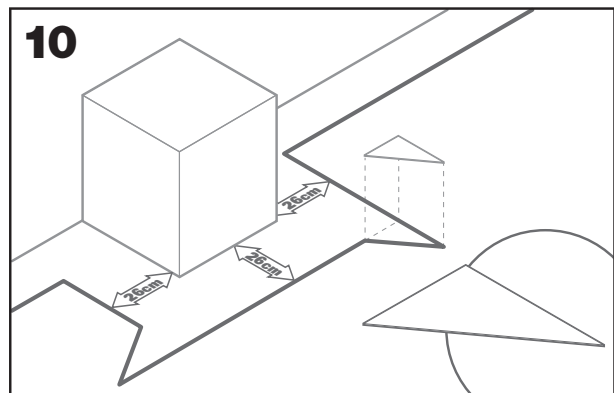
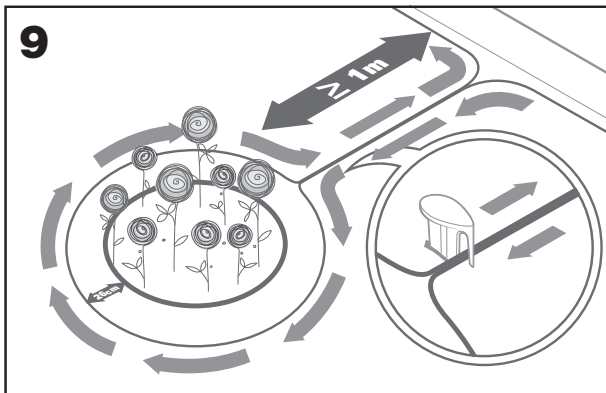


5. Legg ut utkantøyer hvis det trengs

- A. Beskytt blomsterbed, dammer, trerøtter og andre områder ved å legge grensetråden rundt dem.
- B. Avgrens ytterkanten i en rett vinkel for å nå området som skal beskyttes.
- C. Legg ledningen rundt hele området, og hold 26 cm avstand frem til du har omsluttet øya.
- D. Legg alltid ledningen med klokken. Hvis du ikke gjør det vil gressklipperen kjøre inn i øya.
- E. Gå tilbake til ytterkanten av plenen ved å følge samme sti.

6. Bertelsen- metoden: Hvordan lage perfekte 90 ° vinkler med hjørner vendt mot plenen

Hvis det er 90 graders hjørner mot innsiden av plenen, kan du bruke Bertelsen-linjalen for å hjelpe Landroid med å lage perfekte svinger (og fjerne risikoen for at Landroid treffer et hinder på plenens yttergrense når den gjør denne manøveren).



7. Lukk sløyfen

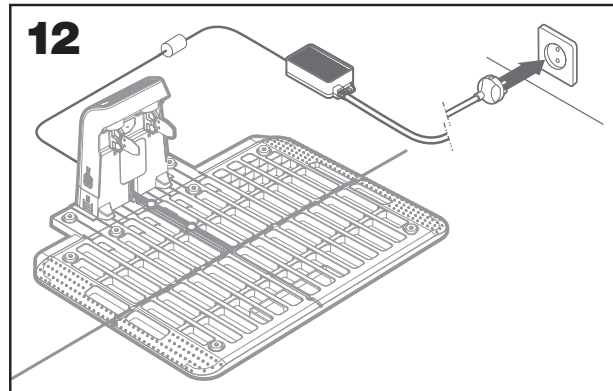
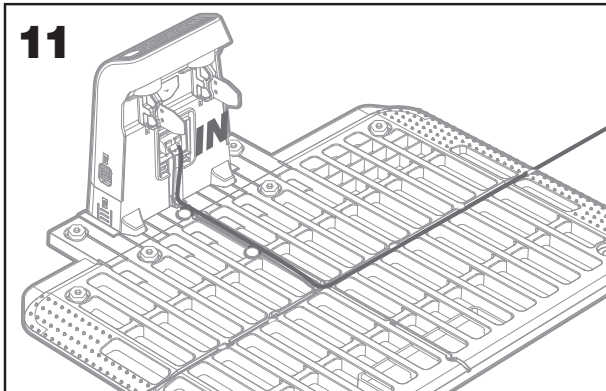
Når du er ferdig med å legge ledningen langs yttergrensen, går du tilbake til ladestasjonen.

- A. Før ledningen gjennom sporet i basen, og opp til klemmen (fig.11)
- B. Klipp til ledningen og splitt enden med en saks.
- C. Fest den splittede enden i den svarte klemmen til høyre.

8. Siste trinn

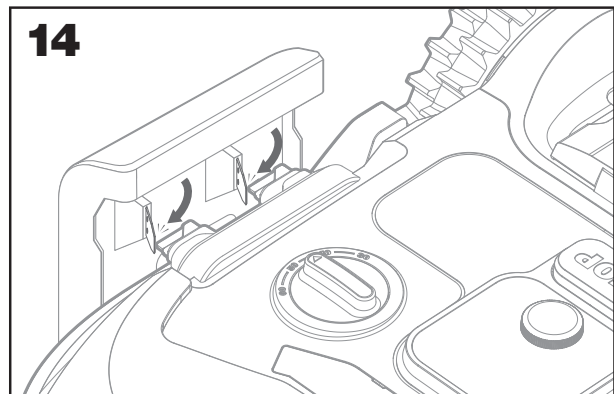
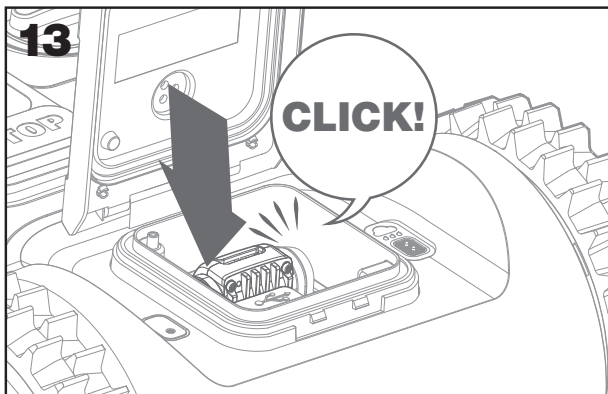
Nå er den kjedelige delen over! Det er bare noen få trinn igjen:

- A. Koble ladestasjonen til stikkkontakten (fig. 12)
- B. Hvis alt er i orden lyser LED-lampen grønt.
- C. Hvis noe er galt i sløyfen, som en ødelagt ledning, eller at lednings-endene ikke er ordentlig festet, lyser LED-lampen rødt. Sjekk at alt er i orden og se avsnittet med ofte stilte spørsmål hvis problemet vedvarer.



D. Åpne baksiden på Landroid og før inn PowerShare-batteriet i sporet til det sier klikk (fig.13)

E. Sett Landroid til lading ved å sørge for at det dannes en dyp kontakt med basen (fig. 14). LED-en vil blinke grønt. Når batteriet er fulladet, lyser LED-en grønt.



F. La Landroid lade opp batteriet en stund. Mens det lades, kan du for eksempel ta en velfortjent pause: Bli kjent med følgende instruksjoner, og koble Landroid til Wi-Fi-nettverket.

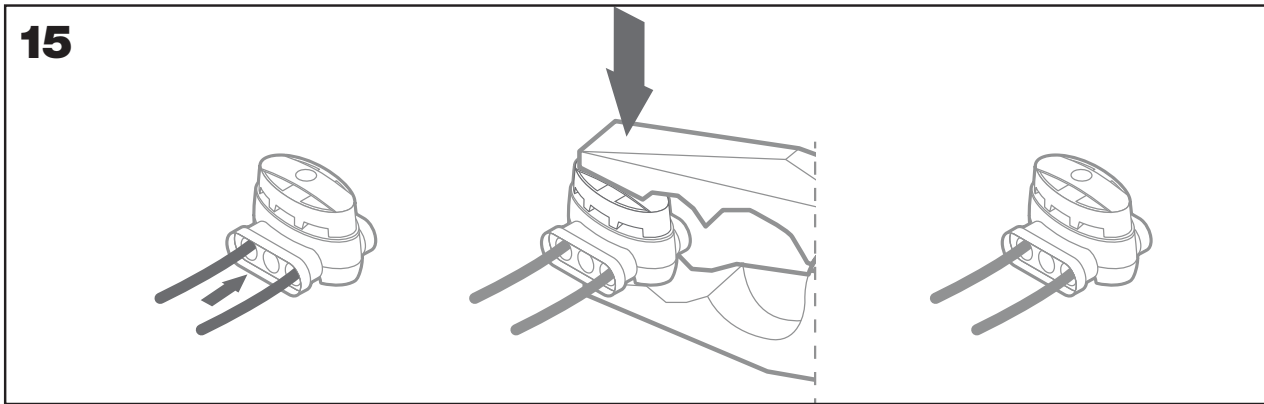
9. Tilkobling av grensetråden

Esken med Landroid inneholder to små, vanntette kontakter til grenseledningen. De kan brukes til følgende:

- A. Hvis plenens omkrets er veldig stor, og du trenger ekstra grenseledning for å fullføre installasjonen. Ikke legg mer enn 300 m med grenseledning, det er den maksimale lengden på grenseledningen.
- B. Hvis grensetråden kuttet av ved et uhell, og du må fikse den.
- C. Hvis du i fremtiden får lyst til å endre på hagen, og du må flytte på den opprinnelige grensetrådinntallasjonen.

Koblingene er vanntette og gir optimal elektrisk tilkobling (Fig. 15).

- A. Stikk begge ledningssendene inn i to av de tre hullene i kontakten. Du trenger ikke å splitte ledningene .
- B. Stikk begge ledningene så langt inn at de er synlige på den andre siden av kontakten .
- C. Trykk kontakten godt med en tang.



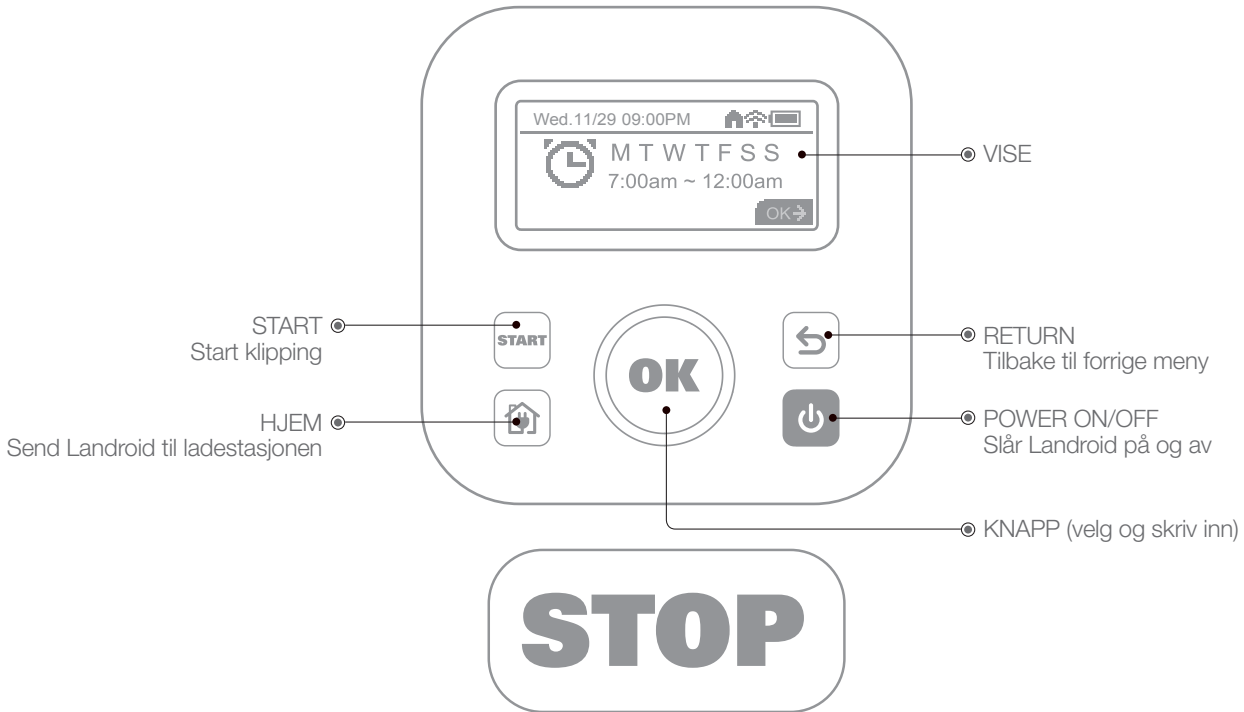
⚠ OBS: Det anbefales ikke å kun koble grenseledningen med isolasjonstape, eller bruke en sukkerbit for tilkobling. Strømkretsen kan etter en stund bli ødelagt da fuktigheten i jorda kan gjøre at ledningen rustner.

NÅ TIL DEN SPENNENDE DELEN! START LANDROID FOR FØRSTE GANG.

Bli kjent med kontrollpanelet

Landroids kontrollpanel gir deg nøkkelfunksjonene i et minimalistisk design.

Landroid-appen, som er gratis, gir deg flere muligheter for avanserte funksjoner i et større grensesnitt: Smarttelefonen.



Start Landroid

- Plasser Landroid innenfor grenseledningen
- Trykk på **POWER ON/OFF** til skjermen lyser. Deretter skriver du inn PIN-koden
- Drei med klokken **OK** for å velge nummeret og trykk kort på **OK** for å bekrefte en etter en. Skjermen viser "PIN-kode OK"
- Trykk på **START** og så på **OK**. Landroid starter å klippe
- Du kan stoppe Landroid når som helst ved å trykke på **STOP**
- Trykk på og deretter på **HJEM** for å sende Landroid tilbake til ladestasjonen **OK**

Merk: Standard PIN-kode er 0000

LANDROID KONTROLLPANEL

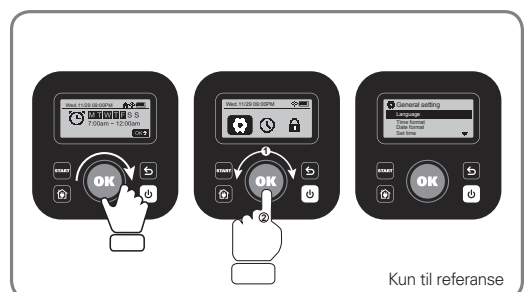
Avanserte funksjoner via det innebygde grensesnittet

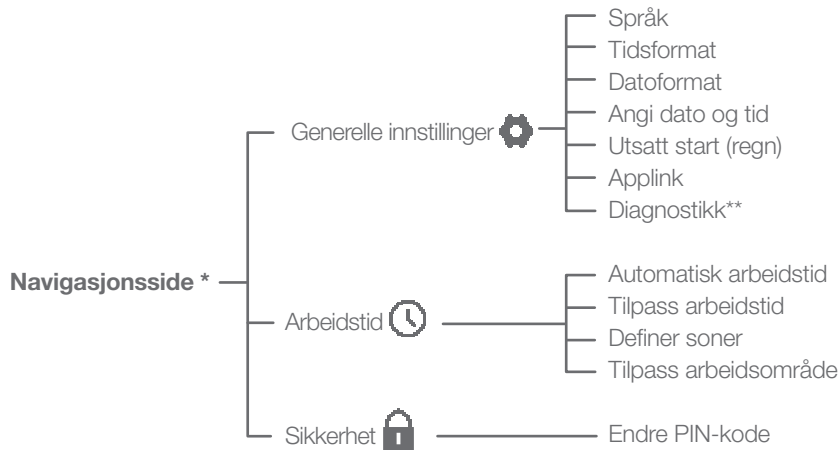
Til tross for den minimalistiske utformingen, kan du stille inn flere avanserte funksjoner via det innebygde kontrollpanelet.

Vi anbefaler likevel at du bruker den gratis Landroid-appen til å gjøre dette, siden den har et mye større og intuitivt grensesnitt som vil gi deg den aller beste brukeropplevelsen.

1. Sett opp

- Drei med klokken **OK** for å komme til innstillingen
- Drei deretter **OK** for å velge "Generelle innstillinger" **OK** / "Arbeidstid" **OK** / "Sikkerhet" **OK**, trykk kort for å gå inn.
- Bruk samme metode for å ta oppfølgingstiltak.



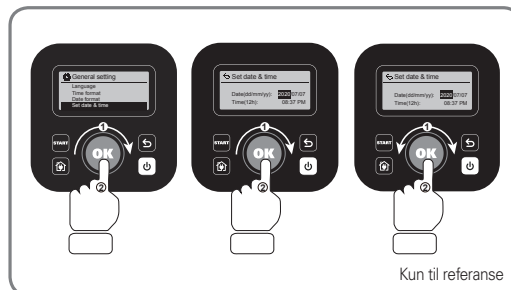


* Oppdater kontinuerlig i henhold til programvareversjonen.

** Bare for service etter salg

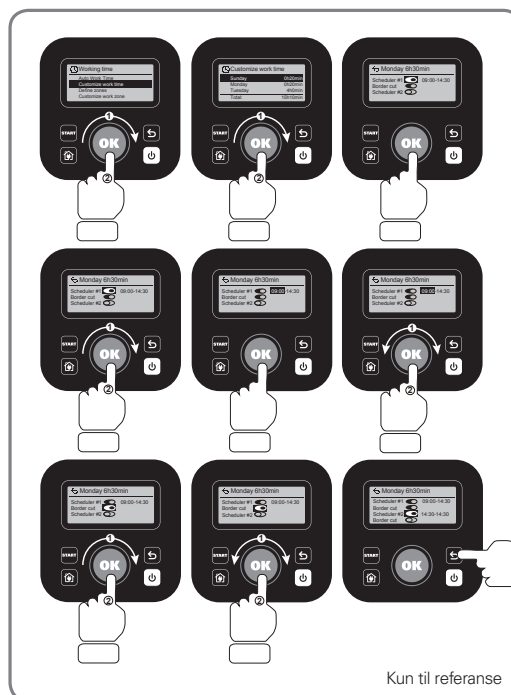
2. Angi dato & Tid

- A. Tilbake til "Generelle innstillinger"
- B. Roter med klokken **OK** "Angi dato & Tid", og trykk deretter kort for å gå inn.
- C. Drei deretter med klokken **OK** Velg "Day" og Kort trykk. Det valgte nummeret blinker.
- D. Neste , Roter **OK** for å velge nummeret og trykk kort for å bekrefte. Bruk samme metode for å fullføre "Måned / år / tid".



3. Tilpasset arbeidstid

- A. Tilbake til "arbeidstid"
- B. Roter med klokken **OK** Gå til "Tilpasset arbeidstid", og trykk deretter kort for å gå inn.
- C. Roter med klokken **OK** Velg ukedag, og trykk deretter kort.
- D. Trykk deretter på **OK** for å angi innstillingene.
- E. Drei med klokken **OK** for å aktivere "Tidsplan # 1 *". Trykk kort **OK** for å bekrefte.
- F. Deretter rotering med klokken **OK** Velg starttid "time / minutt", og trykk deretter kort for å gå inn i innstillingen. Det valgte nummeret blinker.
- G. Roter **OK** for å velge starttiden du vil at LANDROID skal trimme på en bestemt dato, og trykk deretter kort for å bekrefte. Bruk samme metode for å fullføre stoppetiden.
- H. Etter det, rotering med klokken **OK** og et kort trykk for å gå inn i "frame cutting" -innstillingen.
- I. Roter **OK** for å velge om du vil aktivere "Border Cut", og trykk deretter kort for å bekrefte.
- J. Hvis du vil angi "Tidsplan# 2 **", bruk samme metode som ovenfor.
- K. Trykk **↵**, og bruk samme metode for å stille inn arbeidstiden for andre virkedager.



* To tidsplaner kan settes på en dag.

4. Arbeidstidsjustering

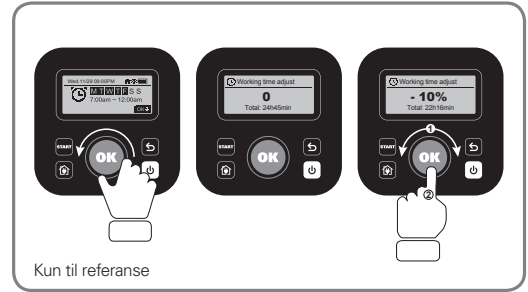
Du kan raskt justere ukens arbeidstid. Økningen / reduksjonen i tid fordeles jevnt på de nødvendige arbeidsdagene

A. Rillbake hovedskjermen.

B. Drei mot klokken **OK** For å aktivere justering av arbeidstid.

MERK: Den totale tiden er basert på den tilpassede arbeidstiden og kan justeres i en 10% gradient.

C. Deretter roterer **OK** for å justere, og trykk kort for å bekrefte.

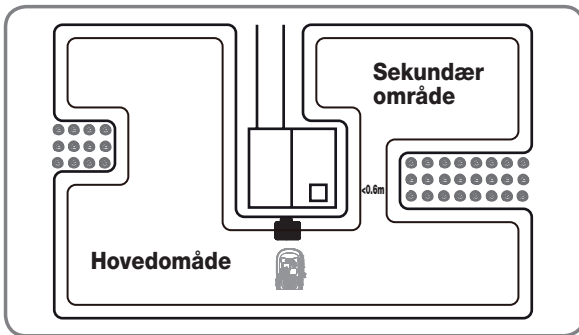


Kun til referanse

5. Enkelt kutt innstilling

Hvis plenen din har flere områder forbundet med korridorer, bør bredden være minst 0.6m . Hvis korridoren er smalere enn 0.6m , vil Landroid ha problemer med å bevege seg mellom dem. I dette tilfellet anbefales det å sette opp primære og sekundære områder på plenen. Grenselinjen skal plasseres som vist.

For fleksible arbeidsinnstillinger (om du skal gå tilbake til ladestasjonen og om du vil kutte rammen), spesielt når Landroid ligger i et ekstra område uten ladestasjon, Tidene går.



- Plasser Landroid innenfor grenselinjen.
- Når Landroid er koblet til ladestasjonen .

A. Rillbake hovedskjermen.

B. Trykk raskt på **START** tre ganger.

C. Roter med klokken **OK** Velg "Hjemmegave? - JA / NEI " (uansett ladestasjon om det er i dette området), trykk deretter kort for å komme inn i innstillingen. Det valgte ordet vil blinke, og trykk deretter kort for å bekrefte.

D. Drei deretter **OK** Velg "Aktiver kantkutting ja / nei" (om du vil kutte kantene), og trykk deretter kort. Det valgte ordet vil blinke, og trykk deretter kort for å bekrefte. Bruk deretter samme metode for å fullføre "arbeidstiden".

E. Drei deretter med klokken **OK** Velg "Start", trykk deretter kort for å begynne å trimme

OBS: Landroid kommer tilbake til Ladestasjon For å lade batteriet Kjør ut eller kutt tiden er ute. Hvis Landroid er fulladet og den innstilte tiden ikke har utløpt, fortsetter Landroid å klippe til slutten av tiden.

- Når Landroid er koblet fra Ladestasjon ,

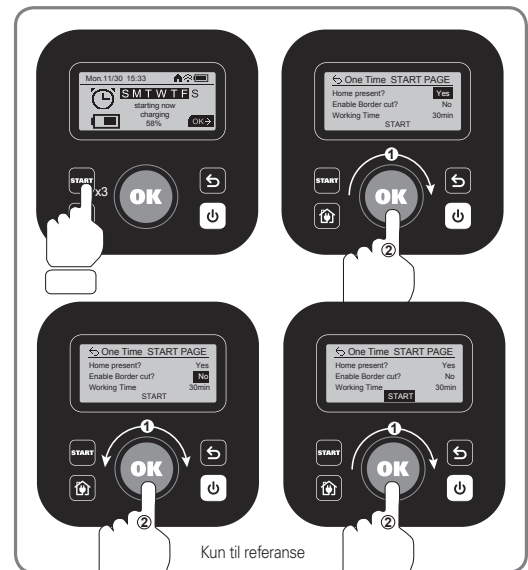
A. Rillbake hovedskjermen.

B. Trykk raskt på **START** Tre ganger.

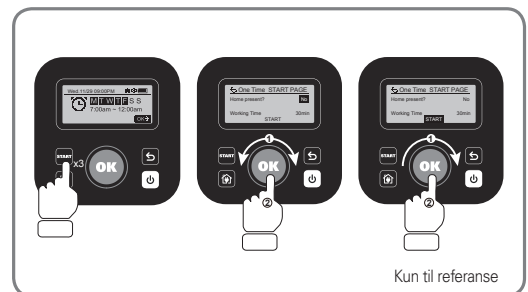
C. Roter **OK** Velg "Hjemmegave? - JA / NEI " (Ladestasjon Enten det er i dette området) og kort trykk Angi innstillinger . Det valgte ordet vil blinke, og trykk deretter kort for å bekrefte. Bruk samme metode for å fullføre "arbeidstid".

D. Drei deretter med klokken **OK** Velg "Start", og trykk deretter kort for å begynne å trimme

Merk: Når Landroid ligger i hovedområdet (vanligvis plassert i ladestasjon), vil den returnere ladestasjon brukes til å lade når batteriet er oppbrukt eller skjæringstiden er ute. Hvis Landroid er fulladet og den innstilte tiden ikke har utløpt, fortsetter Landroid å klippe til slutten av tiden. Når Landroid er i det sekundære området, vil den slutte å klippe og forbli der den er når batteriet er oppbrukt, skjæringstiden har kommet, Landroid støter på noen problemer (for eksempel krasj og andre) eller trykk manuelt på "STOPP" .



Kun til referanse



Kun til referanse

KOBLE LANDROID TIL INTERNETT

Hvorfor koble til Landroid

Landroid kan kobles til via Wi-Fi eller Bluetooth.

Landroid er en IoT (Internet of Things)-enhet. For å få full funksjonalitet og sørge for at den alltid er oppdatert med den nyeste programvaren, må den være tilkoblet internett via Wi-Fi-nettverket.

FØR DU STARTER

1. Last ned appen

Begynn med å laste ned Landroid-appen, som er gratis. Den finner du i app-butikken til Android eller Apple.

2. Sørg for at du har:

- A. Passordet til Wi-Fi-nettverket / Bluetooth-funksjon på smarttelefon
- B. Serienummeret til Landroid: Du finner det på etiketten under bakdekselet på maskinen. Hvis du ikke vil skrive inn det 20-sifrede serienummeret kan du skrive det inn ved å skanne QR-koden med kameraet på smarttelefonen.

3. Kontroller innstillingene

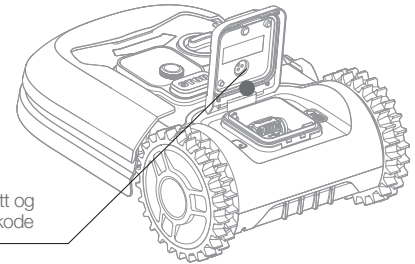
Wi-Fi-tilkobling

- A. Landroid benytter et 2,4GHz Wi-Fi-signal.
- B. Sørg for at Landroid befinner seg på det samme trådløse nettverketsom smarttelefonen.
- C. Sørg for at avstanden mellom Landroid, smarttelefonen og ruterer er så kort som mulig under tilkoblingen.

Tips: Når Landroid flytter seg til et område av plenen der Wi-Fi-signalen er dårlig eller mangler, vil instruksjonene som sendes fra appen, kun bli utført når Landroid er tilbake i et område med god signal.

Bluetooth-tilkobling

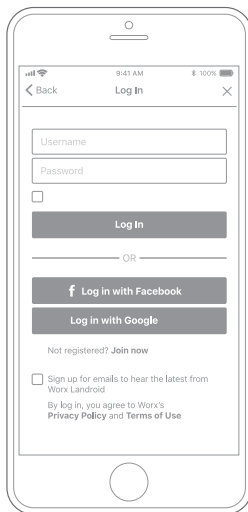
- A. Bluetooth-funksjonen på smarttelefonen er aktivert.
- B. Forsikre deg om at Landroid er innenfor tilkoblingsavstanden.



SLIK KOBLES DU LANDROID TIL INTERNETT

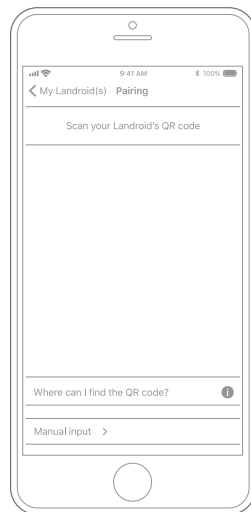
Start appen og følg disse instruksjonene.

1. Registrer kontoen din



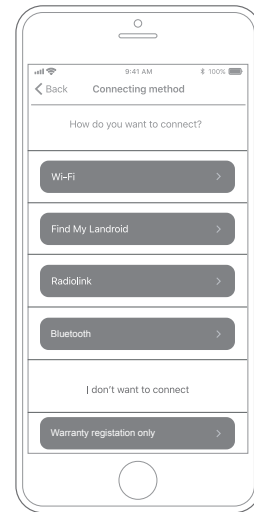
Registrer kontoen din ved å skrive inn brukernavn og passord, eller ved å logge inn via Facebook eller Google.

2. Skriv inn Landroids serienummer



Registrer Landroid ved å taste inn serienummeret manuelt eller ved å skanne QR-koden.

3. Velg tilkobling



Velg Wi-Fi-nettverk eller Bluetooth, eller du kan koble til Landroid ved å søke etter Landroid eller RadioLink-alternativet.

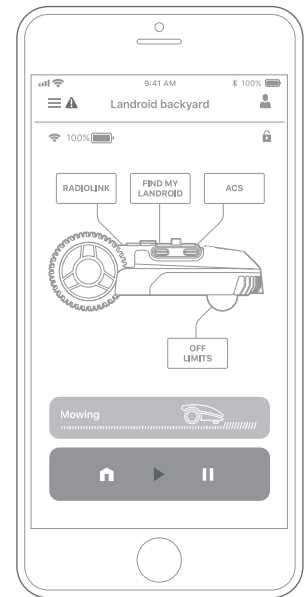
Hvis ikke Wi-Fi dekker hele planen, kan du vurdere å kjøpe alternativet Landroid RadioLink, som utvider signalrekkevidden opp til 300m. Alternativt kan du kjøpe Find My Landroid, som i tillegg til å koble Landroid til internett via det innebygde SIM-kortet, også lar deg spore den hvis den blir stjålet.

LANDROID-APPEN IKKE BARE EN FJERNKONTROLL

Ikke tenk på den som en fjernkontroll. Appen er en integrert del av Worx Landroids avanserte økosystem, basert på skylagring og kunstig intelligens.

Takket være appens utvidede realitets-funksjon, kan du måle opp plenens nøyaktige areal. Det er like enkelt som å gå en tur langs kanten.

Mange faktorer påvirker vekstraten til gress. Landroid kombinerer dem for å bestemme den beste behandlingen for plenen din. Dag etter dag



⚠ VARNING Läs igenom alla varningar och säkerhetsinstruktioner. Underlåtelse att beakta varningar och säkerhetsinstruktioner kan leda till elstöt, brand och/eller allvarlig personskada.
Läs noga igenom instruktionerna för att kunna använda enheten på ett säkert sätt.
Spara alla varningar och säkerhetsinstruktioner för framtida referens.

SÅ FUNGERAR LANDROID

I det följande avsnittet vill vi hjälpa dig att verkligen förstå hur Landroid fungerar. Landroid är en självgående maskin som kan klippa gräset på egen hand. Den vet när det är dags att återvända till laddstationen, känner av när det regnar, stoppar sig själv om den upptäcker ett problem och backar och vänder när den stöter ihop med något som blockerar vägen för den. För att förebygga olyckshändelser stoppar Landroid även knivskivans rotation om den lyfts upp från marken.

Laddar sig själv



När din Landroid behöver laddas slutar den att klippa gräset och följer begränsningskabeln motsols tillbaka till laddstationen. När den är färdigladdad återupptar Landroid automatiskt klippningen eller stannar kvar på laddstationen i enlighet med klippschemat.

Begränsningshantering



Landroid är programmerat att trimma gräset längs gräsmattan två gånger i veckan på Måndagar och Fredagar. Om du vill ändra denna förinställning kan du göra det med din smartmobil eller med hjälp av kontrollpanelen i menyerna Arbetstid-Anpassa arbetstid. Se närmare information i slutet av denna bruksanvisning.

Regnsensor



Landroid är väderskyddad till 100 % och trivs med att vara utomhus. Men att klippa när gräset är blött ger inte det bästa resultatet. Därför är Landroid utrustad med en regnsensor som talar om för gräsklipparen att sluta arbeta och återvända till laddstationen när det börjar regna.

Regnfördröjning



Efter regnet sätter Landroid igång igen när gräset inte längre är blött. Den förinställda regnfördröjningstiden är 180 minuter. Du kan ändra fördröjningstiden med Landroid-appen

I mer extrem väderlek



Om det blir åska ska du skydda Landroid genom att dra ur kontakten till laddstationen, koppla från begränsningskabeln och se till att Landroid inte kan laddas. Vi rekommenderar att Landroid förvaras inomhus på vintern, särskilt om det är mycket kallt och snöigt. I vissa länder erbjuder vi vinterservice för Landroid, så att den är redo när våren kommer. Kontakta din återförsäljare eller besök webbplatsen för mer information.

Nu behöver du inte längre samla upp gräsklipp

Landroids dagliga runda innebär att gräsklippet blir mycket kort och inte behöver krattas ihop. Gräsklippet blir istället en perfekt miljövänlig gödning för gräsmattan. Frekvent klippning gör gräsmattan tätare och förhindrar effektivt uppkomsten av ogräs.

Klipp till kanten

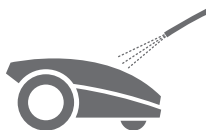
En särskild kniv kommer så nära kanten på din gräsmatta som möjligt, så att du inte behöver trimma så mycket eller inte alls.

Klipphöjd

Innan du använder din Landroid för första gången ska du se till att gräset inte är längre än 10 centimeter. Om det är längre ska du klippa det med en vanlig gräsklippare innan du börjar använda Landroid. Om du vill korta ner gräset ordentligt rekommenderar vi att du gör det stegvis och anpassar klipphöjden lite i taget.

Säkerhet och PIN-kod

För att förhindra att obehöriga använder Landroid skyddas den av en PIN-kod som du enkelt kan ställa in.

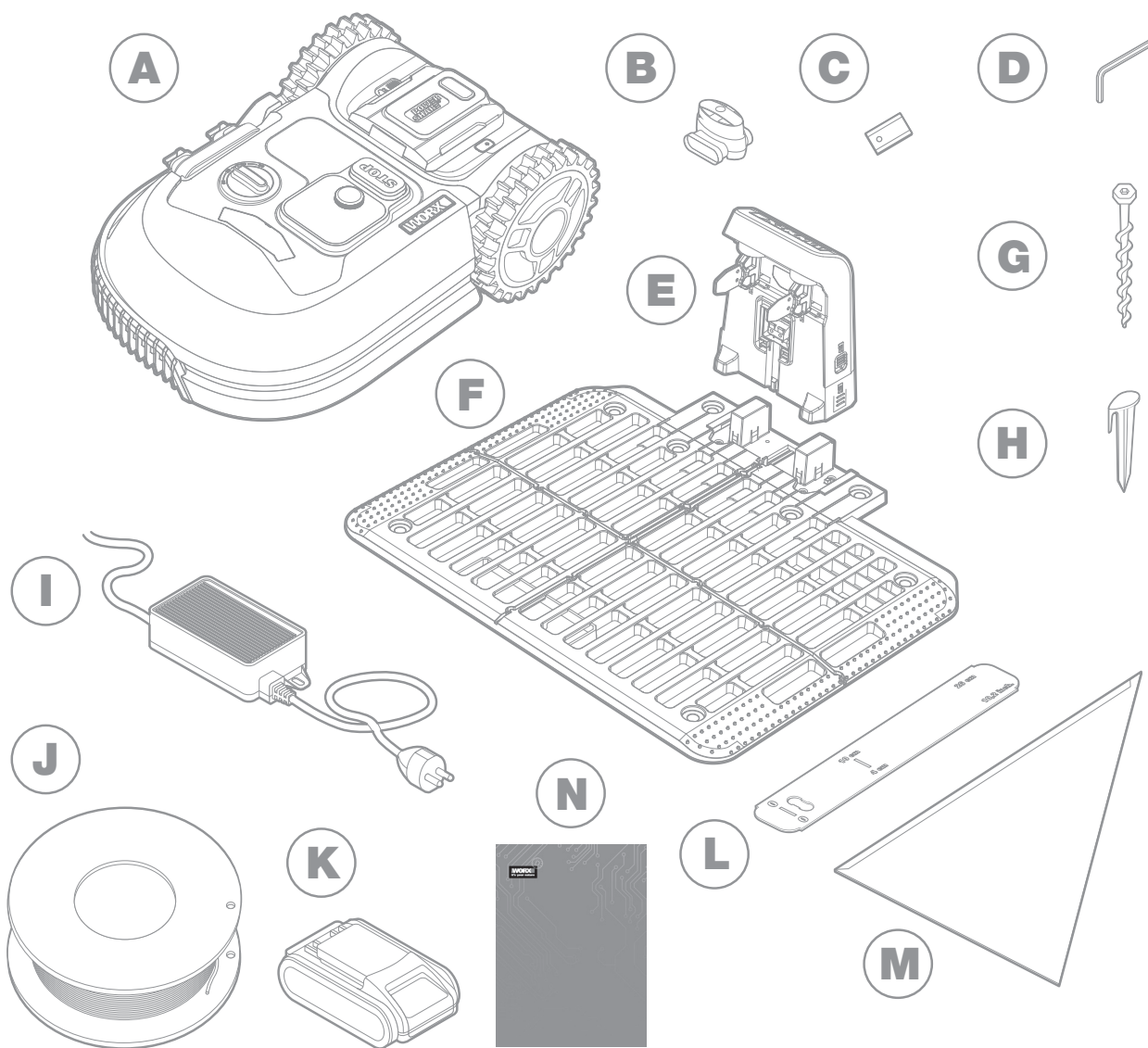
Lett å rengjøre

Takket være sin vanntette IPX5-funksjon, blir Landroid kvitt støv, torv og tøffe omgivelser som oppstår under arbeidet. Få Landroid til å se ut og prestere bedre.

Bakken tracker

Med den nye automatiske heisdesignen kan bladene løftes automatisk for å gi større klaring. Dette hjelper Landroid med å unngå visse situasjoner som kan blokkere andre gressklippere.

VAD FINNS I KARTONGEN



Bilen är endast för referens

A Worx Landroid

B Skarvdon för kabel

C Extra knivar

D Hex nyckel

E Laddstation

F Laddningshög

G Skruvar

H Kabelmärlor

I Nätaggregat

J Begränsningskabel

K Batteri 20V

L Avståndsmätare för begränsningskabel

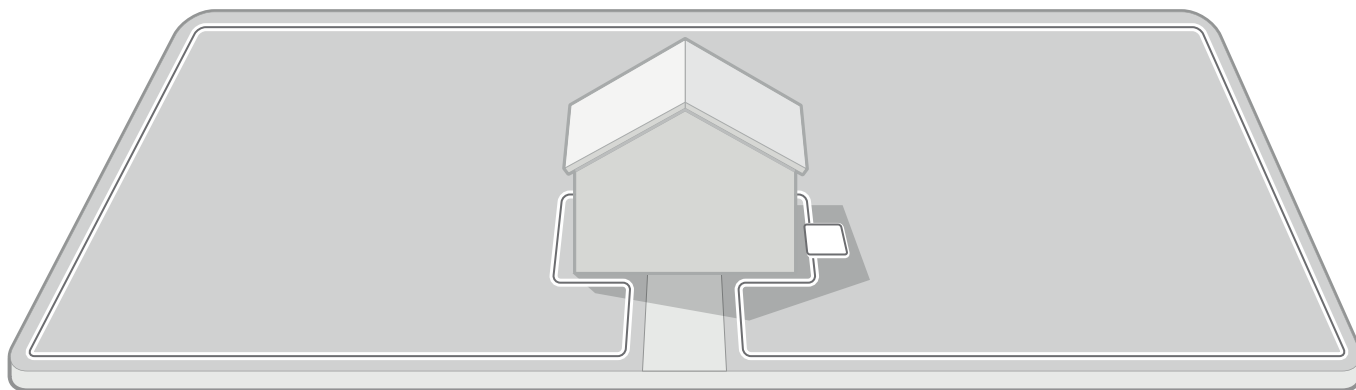
M Vinkellinjal

N Manuell

INSTALLATION

Att installera din Worx Landroid är enklare om du noga följer dessa instruktioner. Egentligen handlar det bara om att installera laddstationen och lägga ut begränsningskabeln kring gräsmattan. Förutom att läsa denna bruksanvisning kan du använda den medföljande komma igång-guiden och titta på våra instruktionsvideor på YouTube*.

*Denna information tillhandahålls för att underlätta installationen men ersätter inte bruksanvisningen och säkerhetsanvisningarna, som måste läsas och förstås.



Inspektera gräsmattan och planera installationen

Installera laddstationen

Lägg ut begränsningskabeln

Anslut laddstationen till elnätet

Ladda din Landroid. Testa och bli klippklar

VARJE MINUT SOM DU LÄGGER NER PÅ PLANERINGEN MINSKAR INSTALLATIONSTIDEN MED 10 MINUTER

Att installera Landroid blir ännu enklare om du vet precis vad du behöver göra. En ordentlig planering hjälper dig även att undvika misstag eller att behöva göra om installationen.

1. På markytan eller nergrävd?

Landroids begränsningskabel är utformad för att ligga på gräsmattan. Redan från första dagen är den nästan osynlig, och på ett par veckor har den uppslukats av gräsmattan. Om du vill gräva ner kabeln rekommenderar vi att du först lägger ut den med märklor och testar att installationen fungerar genom att köra Landroid längs gräsmattans omkrets. På så sätt kan du lätt kontrollera allting, och vid behov ändra layouten innan du gräver ner kabeln. För att kabeln ska avge en god signal ska den inte grävas ner mer än ett par centimeter under markytan.

2. Planera för laddstationen

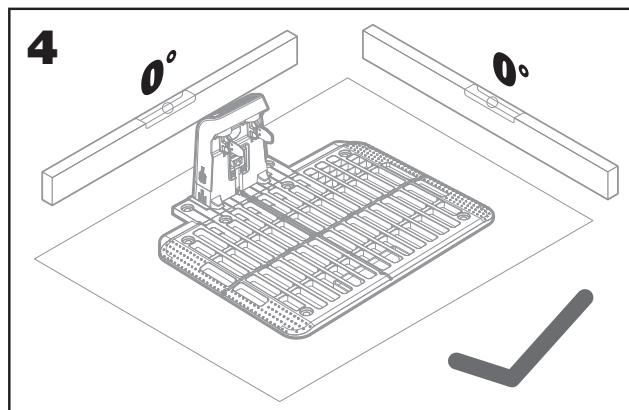
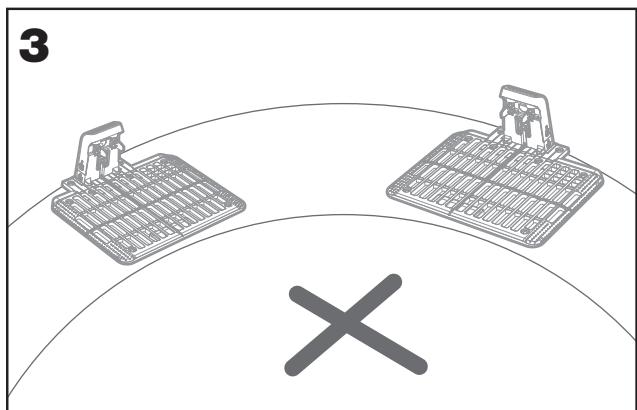
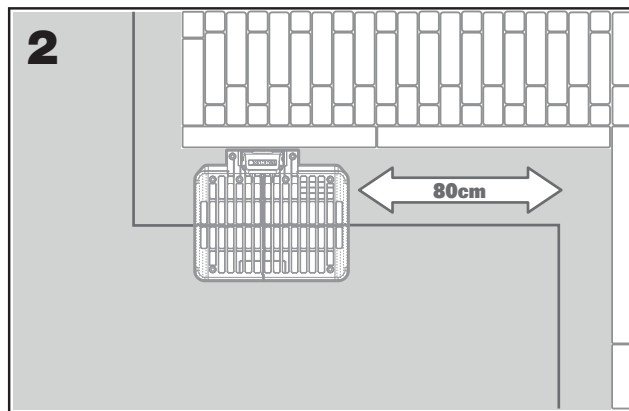
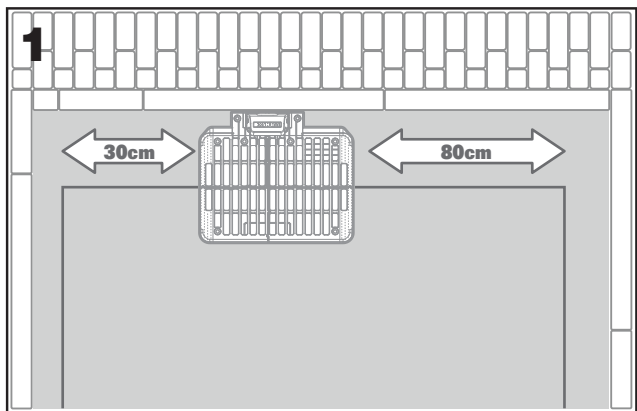
Det är till laddstationen, bestående av en lastestabel och en lastebunn, som Landroid återvänder när batteriet behöver laddas. Laddstationen är dessutom parkeringsplatsen där gräsklipparen vilar sig mellan sina rundor.

Välj en lämplig plats för den, och tänk på att:

- A. den behöver anslutas till elnätet och ska därför inte placeras längre än 10 meter från närmaste eluttag.
- B. läget helst vara skuggigt, eftersom batterier och laddare inte gillar att överhettas.
- C. stationen måste placeras på en plan yta för att dockningen ska fungera på ett bra sätt.
- D. placering i närheten av vattenspridare ska undvikas.

Du kan placera laddstationen på gräsmattan eller på en hård yta, till exempel en trädgårdsgång, förutsatt att gräsmattan och den fasta ytan ligger på samma nivå (inga trappsteg).

För att Landroid ska kunna rulla upp på laddstationen behöver du ha en raksträcka på minst 80 centimeter framför den. På utfartssidan behövs en raksträcka på minst 30 centimeter om gräsklipparen sedan ska svänga till vänster (fig. 1). Om den istället ska svänga till höger behövs ingen raksträcka efter utfarten (fig. 2).

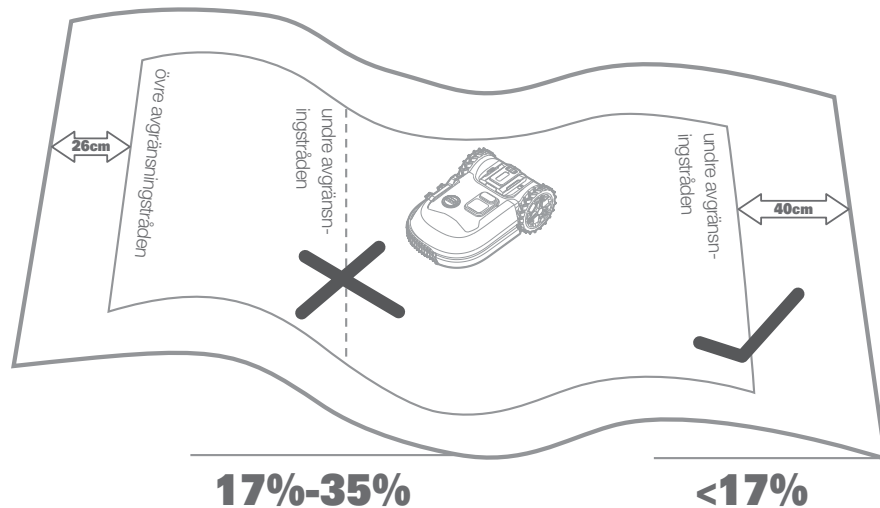


3. Checklista för laddstationen:

- A. eluttag ska finnas inom räckhåll
- B. skuggigt läge
- C. raksträcka vid infarten, och vid behov även vid utfarten
- D. plan mark
- E. ingen vattenspridare i närheten

4. Placering av avgränsningstråd i sluttningar

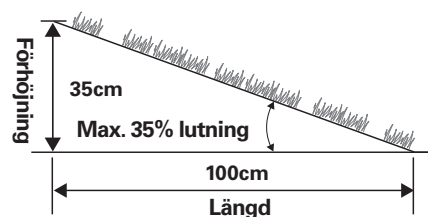
Den övre avgränsningstråden ska inte placeras i sluttningar brantare än 35 % (20°)*. Den undre avgränsningstråden ska inte placeras i sluttningar brantare än 17 % (10°), och den ska placeras minst 40 cm ifrån alla eventuella hinder när den är placerad i en sluttning som är 17 %.



*Hur man beräknar lutningen på sin gräsmatta?

Så lutningen skulle:

$$\frac{35 \text{ cm (Förhöjning)}}{100 \text{ cm (Längd)}} = 35\% \text{ (Lutning)}$$



5. Planera för begränsningskabeln

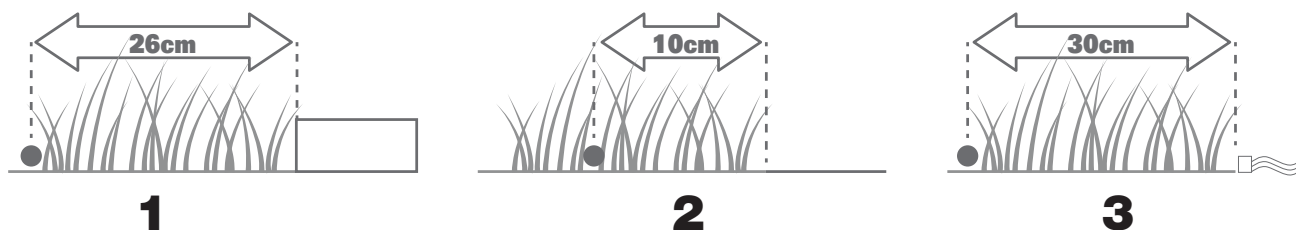
Kabeln måste placeras på ett visst avstånd från kanten av gräsmattan. Avståndet beror på vad som finns intill kanten på den andra sidan.

Gräsmattan kan ha områden med olika gränstyper:

A. Om gräsmattan gränsar till ett trappsteg ska kabeln placeras 26 centimeter från kanten. (bild 1)

B. Om gräsmattan gränsar till en trädgårdsgång som ligger på samma nivå ska kabeln placeras 10 centimeter från kanten. (bild 2)

C. Om gräsmattans kant gränsar till en pool: placera tråden minst 30 cm från kanten. (bild 3)



Om en sida av din gräsmatta angränsar till en grannes gräsmatta där en annan robotklippare används, placera din tråd minst 1 m från din grannes tråd för att undvika eventuella störningar.

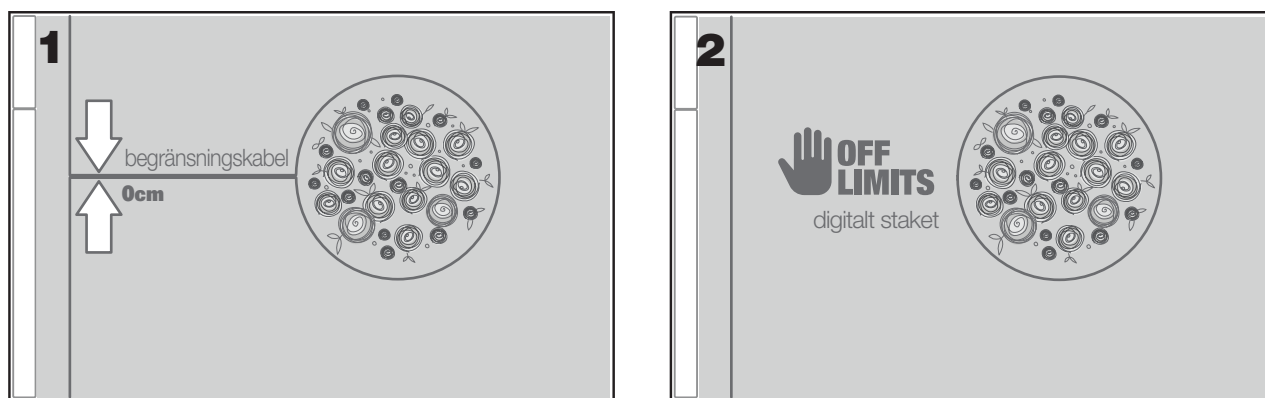
INSPEKTERA GRÄSMATTAN

Landroid är utformad för att kunna klippa även de mest komplicerade gräsmattorna. Inspektera gräsmattan så att du är förberedd och kan installera begränsningskabeln utan problem.

1. Identifiera förbjudna områden

Du vill inte att din robotklippare ska klippa ned blommor, dyka ner i fiskdammen eller trasa sönder trädrötter som sticker upp ur marken. Identifiera de förbjudna områdena och omringa dem med begränsningskabeln, så att Landroid inte kan nå dem. Begränsningskabeln läggs som en sammanhängande slinga vars båda ändrar är anslutna till laddstationen. Därför måste du dra kabeln från kanten till området som du vill skydda, omringa detta område och sedan dra kabeln tillbaka till kanten så som visas i fig. 1. Om de områden som ska omringas ligger långt från gräsmattans kant, eller om du vill skydda flera områden och trädrötter, är denna metod tidskrävande.

Ett bra alternativ är då att köpa Landroid-tillvalet Off-Limits. Med det digitala staketet Off-Limits kan du enkelt skydda områden utan att behöva avgränsa dem med kabelslingan (fig. 2). Det digitala staketet Off-Limits fungerar också utmärkt när du vill skydda säsongsbetonad utrustning (till exempel studs mattor) eller ändra gräsmattans utformning utan att behöva dra om kabelslingan.



2. Identifiera hinder

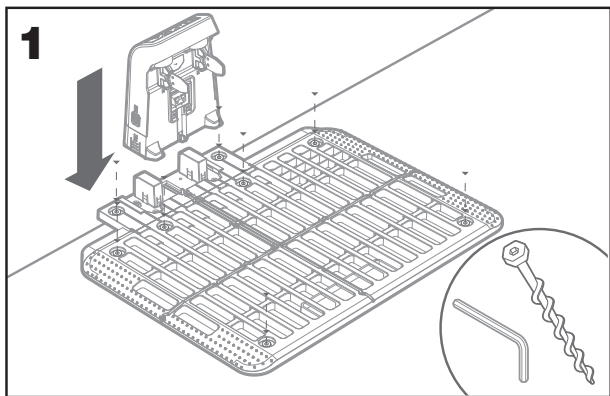
Med sin hindersensor hanterar Landroid fasta hinder som träd, möbler och liknande, som därmed inte behöver omringas med kabeln. Om din gräsmatta har ett flertal hinder och träd som står tätt rekommenderar vi att du köper Landroid-tillvalet ACS, ett intelligent antikrocksystem med ultraljudssensorer som får din Landroid att navigera runt hindren på autopilot istället för att köra in i dem.

DAGS ATT KAVLA UPP ÄRMARNA. NÄR DET ÄR KLART KAN DU TA DET LUGNT!

Nu när du har planerat installationen i detalj kan du skrida till verket. Innan du börjar är det en bra idé att köra en sista runda med din gamla gräsklippare för att jämna till gräset och underlätta installationen.

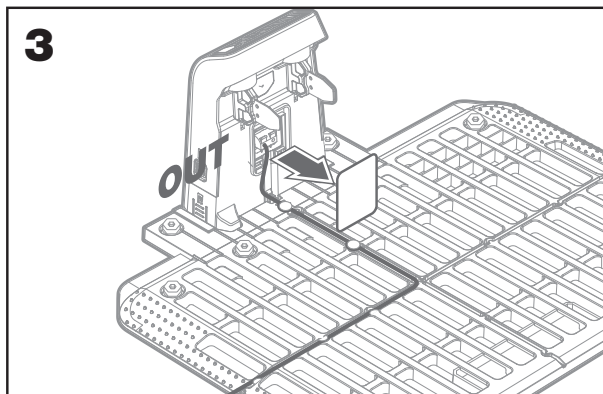
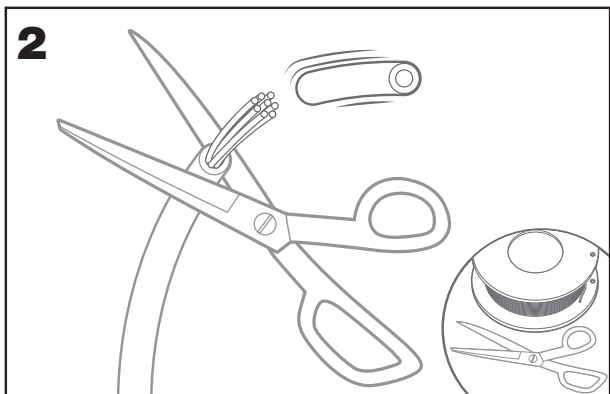
1. Installera laddstationen på den utvalda platsen

- A. Sett ladestabelen inn i ladestasjonen. Bruk deretter den medfølgende sekskantnøkkelen for å feste ladestasjonen på bakken med de medfølgende skruene (Figur 1)
- B. Om du placerar laddstationen på en hård yta ska du använda pluggar (medföljer inte) när du skruvar fast den.



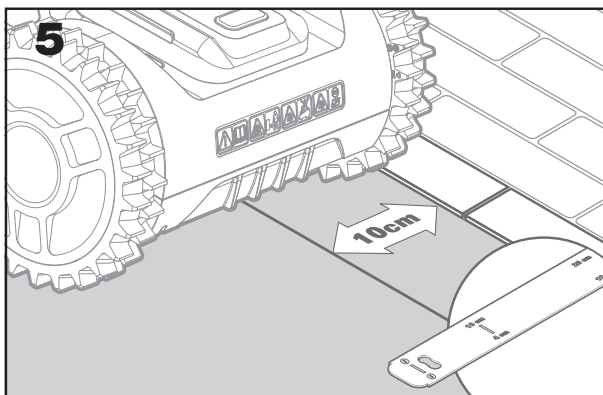
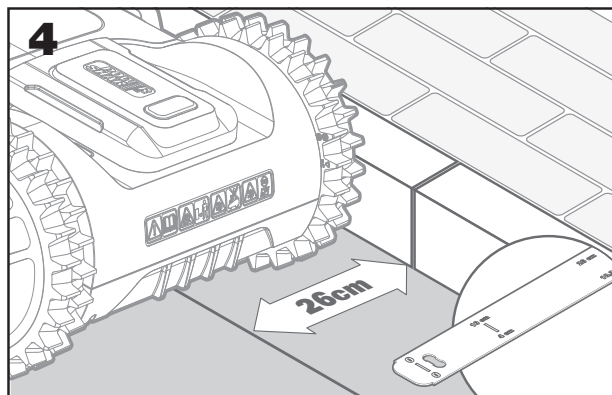
2. Anslut begränsningskabelns ena ände till laddstationen.

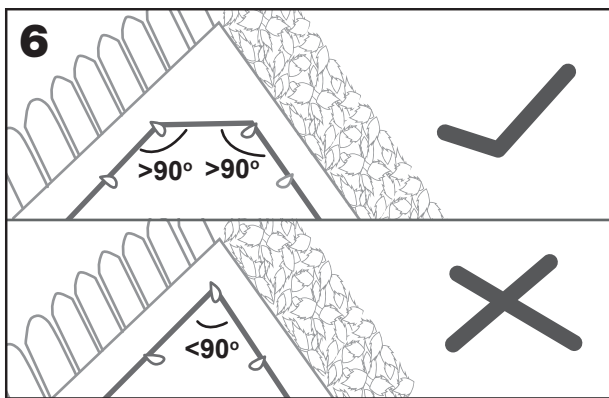
- A. Skala av isoleringen på änden av kabeln med en sax (fig. 2).
- B. Öppna plastluckan och sätt in den avskalade änden i den vänstra klämman, som är röd (fig. 3).
- C. Dra kabeln igenom ledaren på laddstationen, som visas i fig. 3.



3. Lägg begränsningskabeln runt gräsmattan.

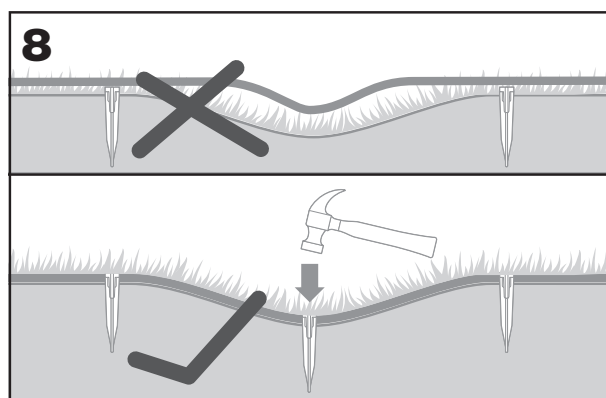
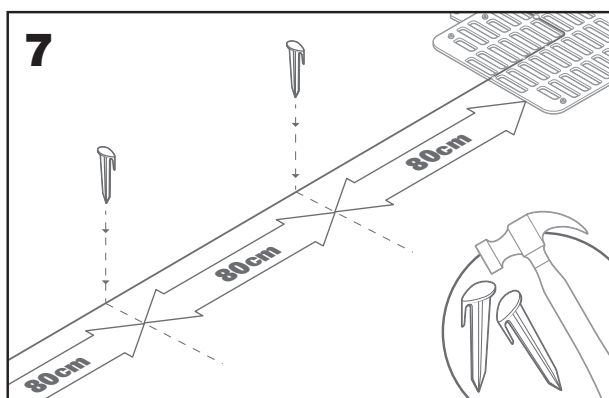
- A. Mät avståndet från kabeln till kanten med den bifogade avståndsmätaren.
- B. Om det finns ett trappsteg vid kanten av gräsmattan ska kabeln dras 26 centimeter från det (fig. 4).
- C. Om det inte finns något trappsteg kan kabeln dras 10 centimeter från kanten (fig. 5).
- D. Forsikre deg om at grenselinjen er helt rett i hvert hjørne, og at vinkelen på grenselinjen er større enn 90 °.





4. Fästa kabeln vid marken med märlor

- A. Placera ut märlorna med cirka 80 centimeters mellanrum (fig. 7).
- B. Kontrollera att kabeln alltid ligger tätt mot marken (fig. 8).

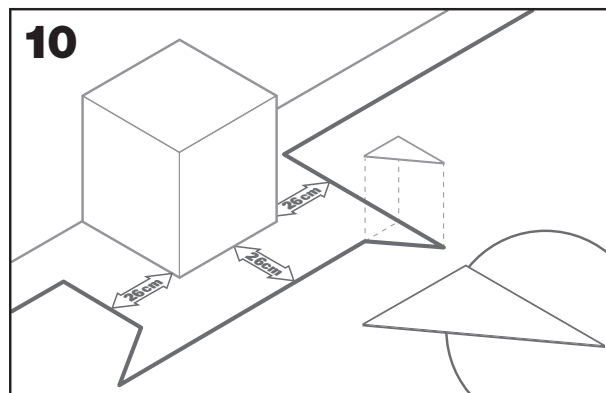
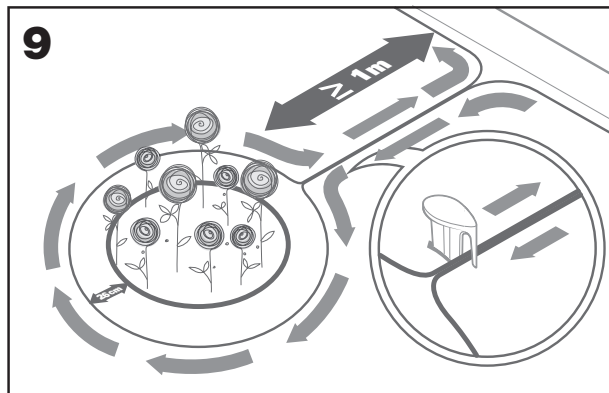


5. Omringa eventuella områden som ska skyddas.

- A. Skydda rabatter, dammar, trädrötter och andra områden genom att omringa dem med begränsningskabeln.
- B. Dra kabeln vinkelrätt från kanten till området som ska skyddas.
- C. Omringa området med kabeln och håll ett avstånd på 26 centimeter.
- D. Lägg alltid ut kabeln medsols, annars kommer gräsklipparen att köra in i det omringade området.
- E. Dra kabeln tillbaka till kanten samma väg.

6. Med vinkelinjal: skapa perfekta 90-gradiga vinklar ut mot gräsmattan.

Om det finns 90-gradiga hörn ut mot gräsmattan kan du använda vinkelinjalen för att hjälpa Landroid göra perfekta vändningar (och undvika risken att Landroid stöter emot ett hinder i utkanten av gräsmattan under denna manöver).



7. Stänga slingan

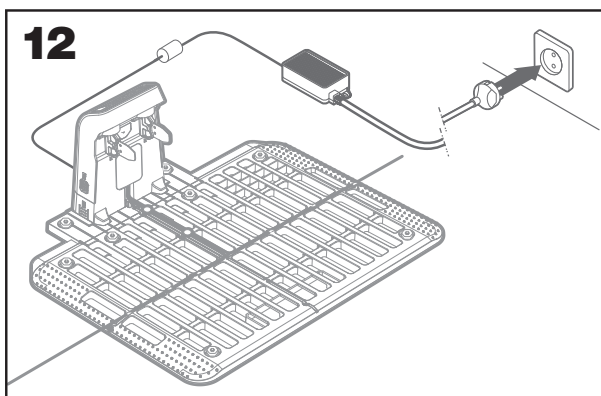
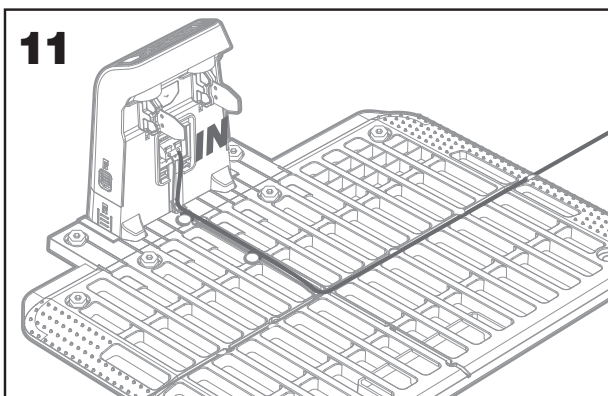
När du har lagt kabeln runt hela gräsmattan är du tillbaka vid laddstationen igen.

- A. För in kabeln genom ledaren på laddstationen och upp till klämman (fig. 11).
- B. Klipp bort överflödig kabel och skala av isoleringen från kabeländan med en sax.
- C. För in den avskalade änden i den högra klämman, som är svart.

8. Avslutande steg

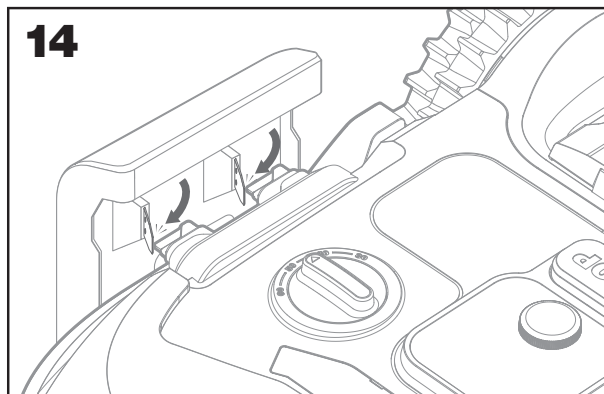
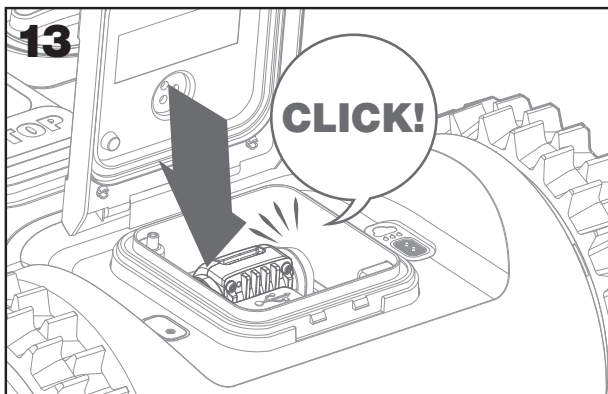
Den tråkiga delen är avklarad! Nu återstår bara några steg till:

- A. Anslut laddstationen till eluttaget (fig. 12).
- B. Om allt är i sin ordning lyser LED-lampan med grönt sken
- C. Om något är fel med slingan, till exempel om kabeln är trasig eller en kabelände inte är ordentligt fastklämd, lyser LED-lampan med rött sken. Kontrollera att allt är som det ska. Om problemet kvarstår hittar du information i avsnittet med de vanligaste frågorna.



D. Öppna Landroids bakre del och sätt in PowerShare-batteriet i facket så att det klickar fast (fig. 13).

E. Sätt Landroid på laddning genom att säkerställa att en djup kontakt etablerats med basen (bild 14). LED-ljusen kommer att blinka i grönt; när batteriet är fulladdat lyser LED-ljusen med ett fast grönt sken.



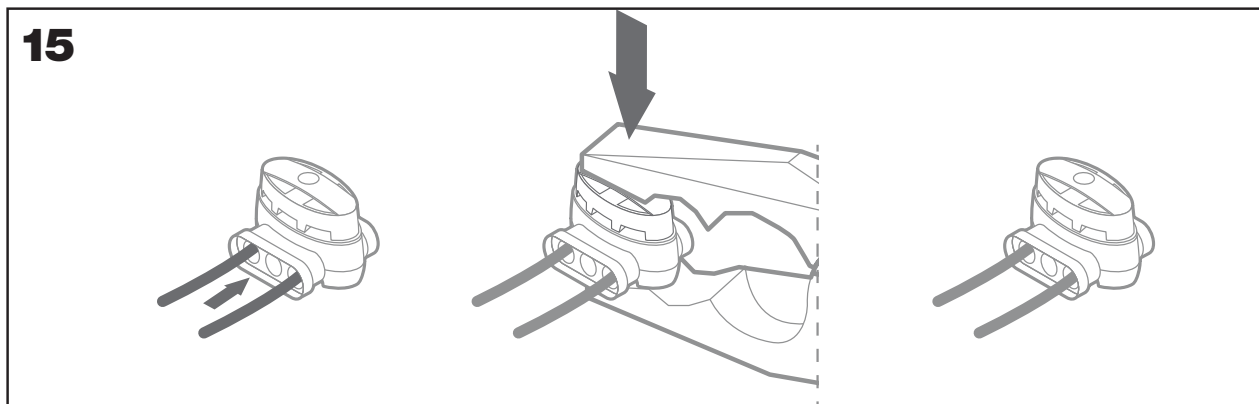
F. Låt Landroid stå på laddning ett tag. Medan robotgräsklipparen laddas kan du ta en välförtjänt rast, läsa igenom de följande anvisningarna och ansluta Landroid till ditt WiFi-nätverk.

9. Skarva begränsningskabeln

I Landroid-kartongen medföljer två små, vattentäta ledningsskarvar för begränsningskabeln. De kan användas i följande fall:
 A. Gräsmattans omkrets är så lång att du behöver extra begränsningskabel för att kunna lägga ut hela slingan.
 Begränsningskabeln får inte vara längre än 300 meter, vilket motsvarar en maximala omkretsen.
 B. Begränsningskabeln råkar skäras av och du behöver laga den.
 C. Du vill förändra trädgården och behöver justera den ursprungliga kabeldragningen.

Ledningsskarvarna är vattentäta och erbjuder optimal elanslutning.(Fig.15).

D. För in kabeländarna i två av de tre hålen i ledningsskarven (vilka två spelar ingen roll). Kabeländarna behöver inte skalas av.
 E. För in kabeländarna helt tills båda är synliga på den andra sidan av ledningsskarven.
 F. Tryck ihop ledningsskarven ordentligt med en tång.



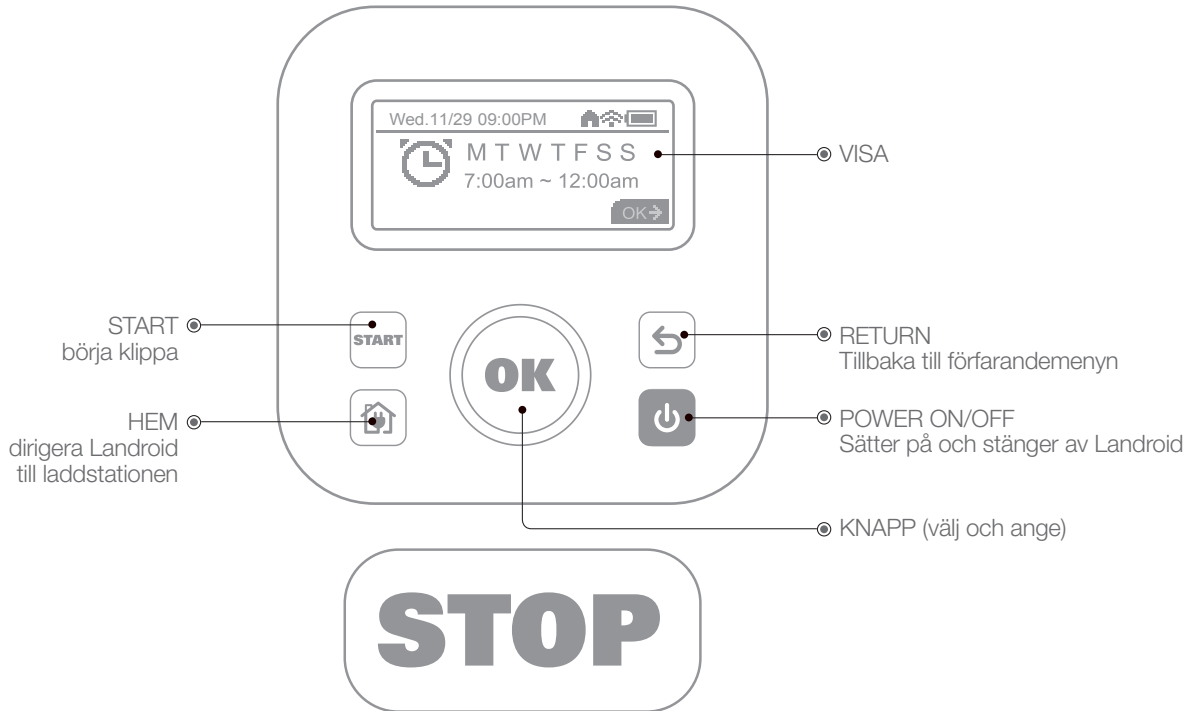
⚠ Observera: vi rekommenderar inte att begränsningskabeln skarvas ihop med isoleringstejp eller anslutningsplint. Efter en tid kan jordfuktigheten få kabeln att oxidera så att den slutar fungera.

NU KOMMER DEN ROLIGA DELEN! STARTA LANDROID FÖR FÖRSTA GÅNGEN.

Bekanta dig med kontrollpanelen

Bekanta dig med kontrollpanelen

Landroids kontrollpanel har en minimalistisk utformning som rymmer de viktigaste funktionerna. Med den kostnadsfria Landroid-appen får du tillgång till fler funktioner via din smartmobil.



Starta Landroid

- Placera Landroid inom kabelslingan.
- Tryck på tills skärmen tänds. Mata sedan in PIN-koden
- Medurs rotera för att välja nummer och kort tryck för att bekräfta en efter en. Skärmen visar PIN-kod OK.
- Tryck på och sedan på Landroid börjar klippa gräset.
- Du kan när som helst stoppa Landroid genom att trycka på
- För att dirigera Landroid till laddstationen trycker du på och sedan på .

Merk: Standard PIN-kode er 0000

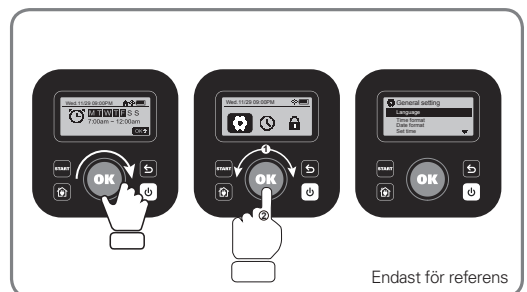
LANDROIDS KONTROLLPANEL

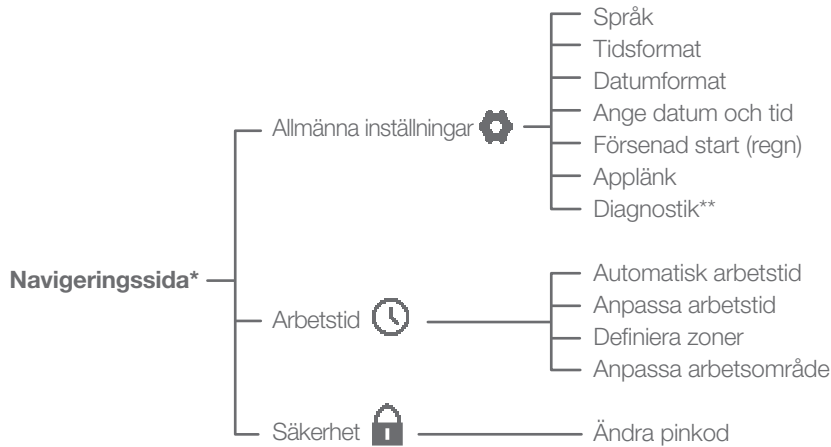
Avancerade funktioner via det inbyggda gränssnittet

Trots den minimalistiska designen kan du ställa in flera avancerade funktioner via den inbyggda kontrollpanelen. För bästa användarupplevelse rekommenderar vi ändå att du använder den kostnadsfria Landroid-appen istället, med tanke på appens mer omfattande och intuitiva gränssnitt.

1. Sett opp

- Dre med klokken for å komme til innstillingen
- Dre deretter for å velge "Generelle innstillinger" / "Arbeidstid" / "Sikkerhet" , trykk kort for å gå inn.
- Bruk samme metode for å ta oppfølgingstiltak.



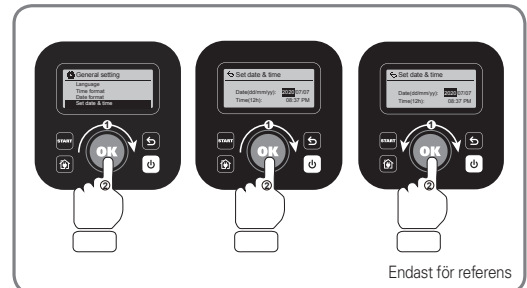


* Oppdater kontinuerlig i henhold til programvareversjonen.

** Bare for service etter salg

2. Angi dato & Tid

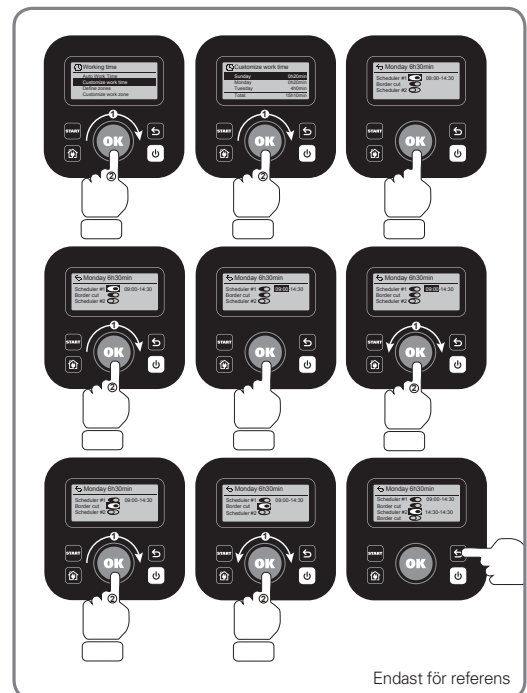
- Tilbake til “Generelle innstillinger”
- Roter med klokken “Angi dato & Tid”, og trykk deretter kort for å gå inn.
- Drei deretter med klokken Velg “Day” og Kort trykk. Det valgte nummeret blinker.
- Neste , Roter for å velge nummeret og trykk kort for å bekrefte. Bruk samme metode for å fullføre “Måned / år / tid”.



3. Tilpasset arbeidstid

- Tilbake til “arbeidstid”
- Roter med klokken Gå til “Tilpasset arbeidstid”, og trykk deretter kort for å gå inn.
- Roter med klokken Velg ukedag, og trykk deretter kort.
- Trykk deretter på for å angi innstillingene.
- Drei med klokken for å aktivere “Tidsplan # 1 **”. Trykk kort for å bekrefte.
- Deretter rotering med klokken Velg starttid “time / minutt”, og trykk deretter kort for å gå inn i innstillingen. Det valgte nummeret blinker.
- Roter for å velge starttiden du vil at LANDROID skal trimme på en bestemt dato, og trykk deretter kort for å bekrefte. Bruk samme metode for å fullføre stoppetiden.
- Etter det, rotering med klokken og et kort trykk for å gå inn i “frame cutting” -innstillingen.
- Roter for å velge om du vil aktivere “Border Cut”, og trykk deretter kort for å bekrefte.
- Hvis du vil angi “Tidsplan# 2 **”, bruk samme metode som ovenfor.
- Trykk , og bruk samme metode for å stille inn arbeidstiden for andre virkedager.

* To tidsplaner kan settes på en dag.



4. Arbeidstidsjustering

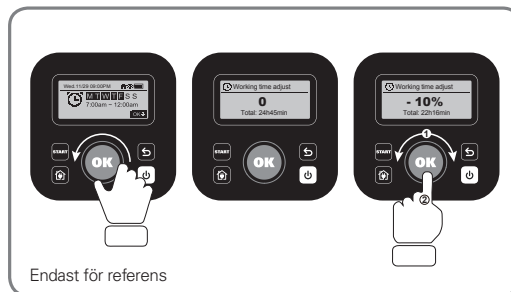
Du kan raskt justere ukens arbeidstid. Økningen / reduksjonen i tid fordeles jevnt på de nødvendige arbeidsdagene

A. Rillbake hovedskjermen.

B. Drei mot klokken **OK** For å aktivere justering av arbeidstid.

MERK: Den totale tiden er basert på den tilpassede arbeidstiden og kan justeres i en 10% gradient.

C. Deretter roterer **OK** for å justere, og trykk kort for å bekrefte.

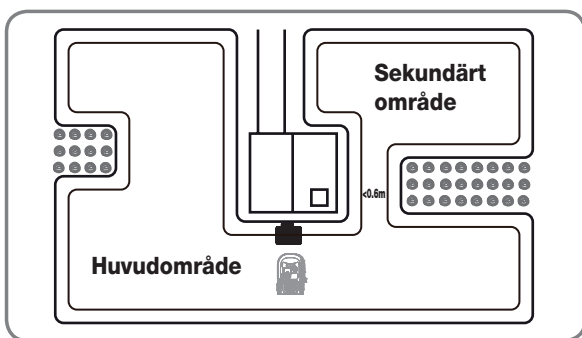


Endast för referens

5. Enkelt kutt innstilling

Hvis plenen din har flere områder forbundet med korridorer, bør bredden være minst 0.6m . Hvis korridoren er smalere enn 0.6m , vil Landroid ha problemer med å bevege seg mellom dem. I dette tilfellet anbefales det å sette opp primære og sekundære områder på plenen. Grenselinjen skal plasseres som vist.

For fleksible arbeidsinnstillinger (om du skal gå tilbake til ladestasjonen og om du vil kutte rammen), spesielt når Landroid ligger i et ekstra område uten ladestasjon, Tidene går.



- Plasser Landroid innenfor grenselinjen.
- Når Landroid er koblet til ladestasjonen .

A. Rillbake hovedskjermen.

B. Trykk raskt på **START** tre ganger.

C. Roter med klokken **OK** Velg "Hjemmegave? - JA / NEI " (uansett ladestasjon om det er i dette området), trykk deretter kort for å komme inn i innstillingen. Det valgte ordet vil blinke, og trykk deretter kort for å bekrefte.

D. Drei deretter **OK** Velg "Aktiver kantkutting ja / nei" (om du vil kutte kantene), og trykk deretter kort. Det valgte ordet vil blinke, og trykk deretter kort for å bekrefte. Bruk deretter samme metode for å fullføre "arbeidstiden".

E. Drei deretter med klokken **OK** Velg "Start", trykk deretter kort for å begynne å trimme

OBS: Landroid kommer tilbake til Ladestasjon For å lade batteriet Kjør ut eller kutt tiden er ute. Hvis Landroid er fulladet og den innstilte tiden ikke har utløpt, fortsetter Landroid å klippe til slutten av tiden.

- Når Landroid er koblet fra Ladestasjon ,

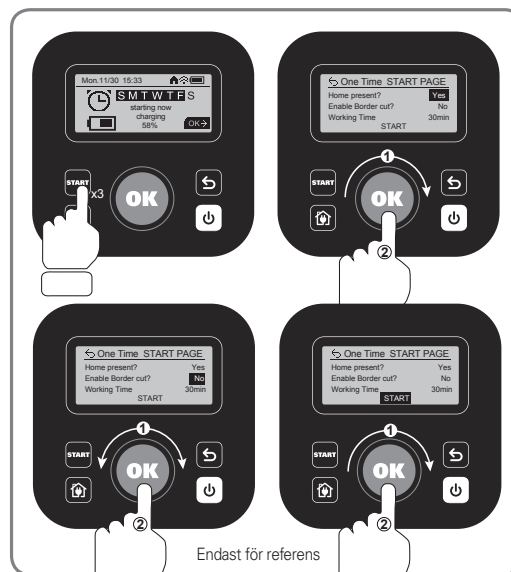
A. Rillbake hovedskjermen.

B. Trykk raskt på **START** Tre ganger.

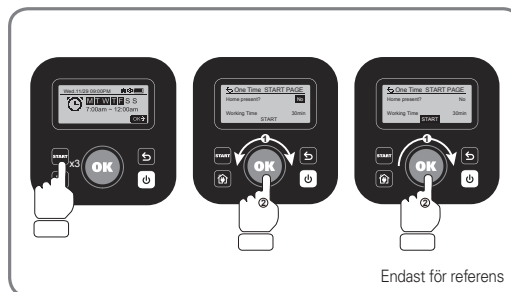
C. Roter **OK** Velg "Hjemmegave? - JA / NEI " (Ladestasjon Enten det er i dette området) og kort trykk Angi innstillinger . Det valgte ordet vil blinke, og trykk deretter kort for å bekrefte. Bruk samme metode for å fullføre "arbeidstid".

D. Drei deretter med klokken **OK** Velg "Start", og trykk deretter kort for å begynne å trimme

Merk: Når Landroid ligger i hovedområdet (vanligvis plassert i ladestasjon), vil den returnere ladestasjon brukes til å lade når batteriet er oppbrukt eller skjæringstiden er ute. Hvis Landroid er fulladet og den innstilte tiden ikke har utløpt, fortsetter Landroid å klippe til slutten av tiden. Når Landroid er i det sekundære området, vil den slutte å klippe og forbli der den er når batteriet er oppbrukt, skjæringstiden har kommet, Landroid støter på noen problemer (for eksempel krasj og andre) eller trykk manuelt på "STOPP" .



Endast för referens



Endast för referens

ANSLUTA LANDROID TILL INTERNET

Varför ska jag ansluta min Landroid?

Landroid kan kobles til via Wi-Fi eller Bluetooth.

Landroid är en IoT-enhet (IoT står för "sakernas internet"). För att kunna utnyttja din Landroid fullt ut och hålla den ständigt uppdaterad med den senaste programvaran måste du ansluta den till internet via ditt WiFi-nätverk

INNAN DU STARTAR

1. Ladda ner appen

Ladda först ner den kostnadsfria Landroid-appen. Skaffa den från appbutikerna för Android eller Apple

2. Se till att du har:

- A. tillgång till ditt WiFi-nätverkslösenord / Bluetooth-funksjon på smarttelefon
 - B. Landroids serienummer, som du hittar på etiketten under gräsklipparens bakre huv.
- Om du inte vill skriva in det 20-siffriga serienumret kan du scanna QR-koden med kameran på din smartmobil.

3. Kontroller inställingene

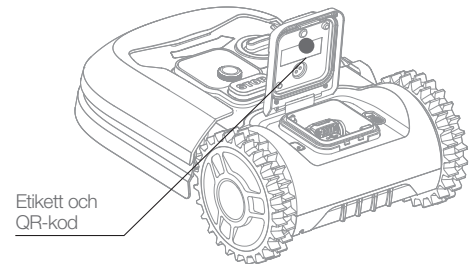
Wi-Fi-tilkobling

- A. Landroid fungerar med en WiFi-signal på 2,4 GHz.
- B. Kontrollera att din Landroid finns i samma routermiljö som din smartmobil.
- C. Kontrollera att avståndet mellan din Landroid, smartmobilen och routern är så kort som möjligt vid anslutningen.

Tips: när Landroid klipper en del av gräsmattan där WiFi-signalen är svag eller obefintlig kommer instruktioner som skickas från appen inte att utföras förrän Landroid återvänder till ett område med tillräckligt god signal.

Bluetooth-tilkobling

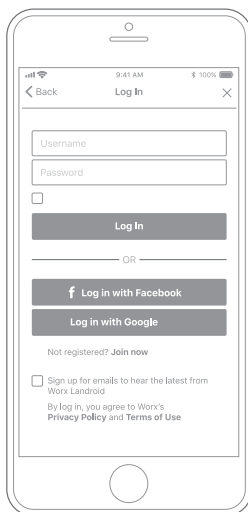
- A. Bluetooth-funksjonen på smarttelefonen er aktivert.
- B. Forsikre deg om at Landroid er innenfor tilkoblingsavstanden.



SÅ ANSLUTER DU LANDROID TILL INTERNET

Skaffa appen och följ dessa instruktioner.

1. Registrera ditt konto.



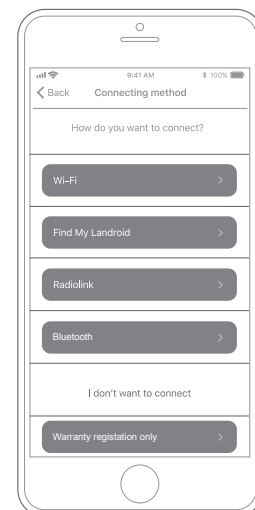
Registrera ditt konto genom att ange ditt användarnamn och lösenord, eller genom att logga in via Facebook eller Google.

2. Ange din Landroids serienummer.



Registrera din Landroid genom att ange serienumret manuellt eller genom att scanna QR-koden.

3. Välj anslutning.



Välj ditt Wi-Fi-nätverk eller Bluetooth, eller så kan du ansluta till Landroid genom att söka efter mitt Landroid eller RadioLink- alternativ.

Om inte hela gräsmattan har WiFi-täckning kan du fundera på att köpa Landroid-tillvalet RadioLink, som utökar signalens räckvidd med upp till 300 meter.

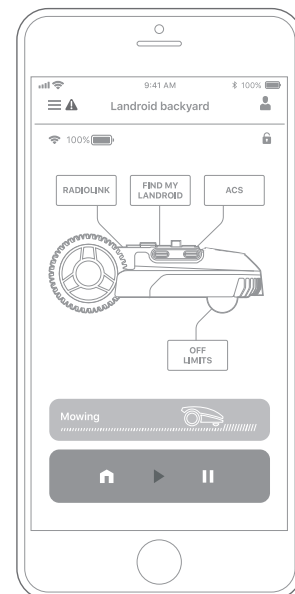
Alternativt kan du köpa tillvalet Find My Landroid, som förutom att ansluta gräsklipparen till internet via det inbyggda SIM-kortet även ger dig möjlighet att spåra den om den skulle bli stulen.

LANDROID-APPEN MER ÄN BARA EN FJÄRRKONTROLL

Tro inte att den bara är en fjärrkontroll. Appen är en väsentlig del av Worx Landroids avancerade ekosystem, som bygger på molntjänster och artificiell intelligens.

Tack vare appens funktion för förstärkt verklighet kan du mäta gräsmattans exakta område. Du gör det lätt genom att ta en promenad längs gräsmattans omkrets.

Mange faktorer påverkar vekstraten til gress. Landroid kombinerer dem for å bestemme den beste behandlingen for plenen din. Dag etter dag







WORX
it's your nature

Get started

LANDROID

UNMANNED
MOWING
VEHICLE

EN

This Get Started guide does not replace the Instruction Manual. You must read and understand the Instruction Manual before operating the product. Keep Landroid updated with latest software. Download both: www.worx.com/landroid/support.

D

Get Started: Diese Beschreibung ersetzt nicht die Bedienungsanleitung. Lesen Sie die Anleitung bevor Sie das Produkt in betrieb nehmen. Nutzen Sie stets die aktuelle Software. Download der Bedienungsanleitung und Software finden Sie unter: www.worx.com/landroid/support.

F

Ce guide de prise en main ne remplace pas le manuel d'instructions. Veuillez lire et comprendre le manuel d'instructions avant d'utiliser le produit. Gardez Landroid mis à jour avec le dernier logiciel. Téléchargez les deux: www.worx.com/landroid/support.

I

Questa Guida introduttiva non sostituisce il Manuale di istruzioni. Prima di utilizzare il prodotto, è necessario leggere e comprendere il Manuale di istruzioni. Tieni Landroid aggiornato con l'ultimo software. Scarica entrambi: www.worx.com/landroid/support.

ES

La guía "Get started" no reemplaza el manual de instrucciones. Lea el manual antes de usar el producto. Mantenga su Landroid actualizado con la última versión del software. Descargue ambos en: www.worx.com/landroid/support.

NL

De Get Started handleiding vervangt niet de gebruiksaanwijzing met instructies. Lees deze voordat u van start gaat. Houdt de Landroid up-to-date met de laatste software. Download beide: www.worx.com/landroid/support.

PL

Ten podręczniki instruktażowe nie rozpoczął się zastąpić użytkownika. Musisz podręczniki instruktażowe i zrozumieć przed użyciem produktu. Zaktualizuj program Landroid za pomocą najnowszej oprogramowania. Pobierz oba: www.worx.com/landroid/support.

CZ

Tento stručný Startovací Návod nenahrazuje Instrukční Manuál. Musíte číst a rozumět Instrukčnímu Manuálu před manipulací s produktem. Udržujte Landroid aktualizovaný nejnovějším softwarem. Stáhněte si obě: www.worx.com/landroid/support.

SK

Táto príručka na začatie nenahrádza inštrukčný manuál. Pred použitím produktu musíte prečítať a pochopiť inštrukčný manuál. Udržujte Landroid aktualizovaný najnovším softvérom. Prevezmite oboje: www.worx.com/landroid/support.

SL

Ta začetna navodila ne nadomeščajo navodil za uporabo. Pred uporabo izdelka morate prebrati in razumeti navodila za uporabo. Posodobite Landroid z najnovejšo programsko opremo. Prenesite oboje: www.worx.com/landroid/support.

PT

Este Guia de Primeiros Passos não substitui o Manual de Instruções. Você deve ler e entender o Manual de Instruções antes de operar o produto. Mantenha Landroid atualizado com o software mais recente. Faça o download de ambos: www.worx.com/landroid/support.

HU

Ez a Get Started útmutató nem helyettesíti az Útmutató Kézikönyvet. A termék üzemeltetése előtt olvassa el és értse meg az útmutatót. A legfrissebb szoftverrel frissítse a Landroidot. Töltse le mindkét oldalt: www.worx.com/landroid/support.

RO

Acest ghid de Început nu înlocuiește Manualul de Instrucțiuni. Trebuie să citiți și să înțelegeți Manualul de Instrucțiuni înainte de operarea acestui produs. Păstrați Landroid actualizat cu cel mai recent software. Descărcați ambele: www.worx.com/landroid/support.

HR

Ovaj Uvodni vodič ne zamjenjuje Priručnik za upotrebu. Morate pročitati i razumjeti Priručnik za upotrebu prije rada s proizvodom. Redovito ažurirajte Landroid s najnovijim softverom. Preuzmite oboje: www.worx.com/landroid/support.

DK

Denne vejledning til at komme i gang erstatter ikke håndbog. Du skal læse håndbog og forstå, før du bruger produktet. Hold Landroid opdateret med nyeste software. Download begge: www.worx.com/landroid/support.

FIN

Tämä aloitusoppaaseen ei korvaa käsikirjasta. Sinun täytyy lukea käsikirjasta ja ymmärtää, ennen kuin käytät tuotetta. Pidä Landroid päivitetty uusimpaan ohjelmistoon. Lataa molemmat: www.worx.com/landroid/support.

NOR

Denne Komme i gang-veiledningen erstatter ikke bruksanvisningen. Du må lese og forstå bruksanvisningen før du bruker produktet. Hold Landroid oppdatert med nyeste programvare. Last ned begge: www.worx.com/landroid/support.

SV

Denna Komma Igång-guide ersätter inte bruksanvisningen. Du måste läsa igenom och förstå bruksanvisningen innan du använder produkten. Hold Landroid uppdaterat med nyeste programvare. Last ned begge: www.worx.com/landroid/support.

RU

Настоящее Руководство по началу работы не заменяет Руководство по эксплуатации. Перед эксплуатацией изделия вы должны прочитать и понять Руководство по эксплуатации. Держите Landroid обновленным с последним программным обеспечением. Загрузите оба: www.worx.com/landroid/support.

ET

Käesolev juhend alustanud ei asenda käsiraamatu. Sa pead lugema käsiraamatu ja mõista enne toote kasutamist. Hoidke Landroid värskendatuna uusima tarkvaraga. Laadige alla mõlemad: www.worx.com/landroid/support.

LV

Šī darba uzsākšanas rokasgrāmata neaizstāj lietošanas pamācību. Pirms produkta lietošanas jums ir jāizlasa un jāsaprot lietošanas pamācība. Saglabājiet Landroid atjauninātu ar jaunāko programmatūru. Lejupielādējiet abus: www.worx.com/landroid/support.

LT

Šis Darbo pradžios vadovas nepakeičia instrukcijų vadovo. Turite perskaityti ir suprasti instrukcijų vadovą prieš pradėdami naudotis prietaisu. Laikykite „Landroid“ atnaujintą naujausią programinę įrangą. Atsisiųskite: www.worx.com/landroid/support.

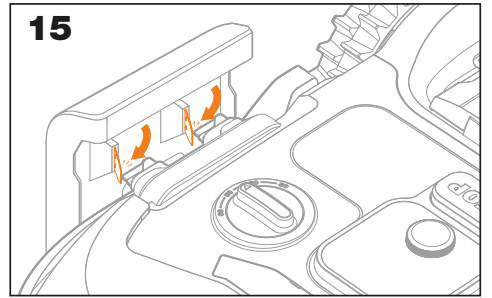
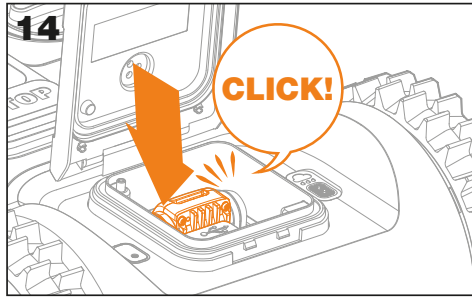
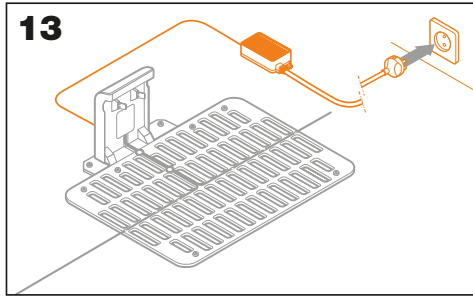
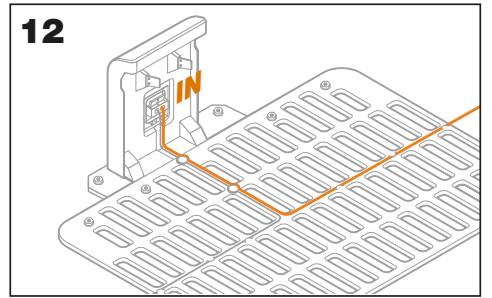
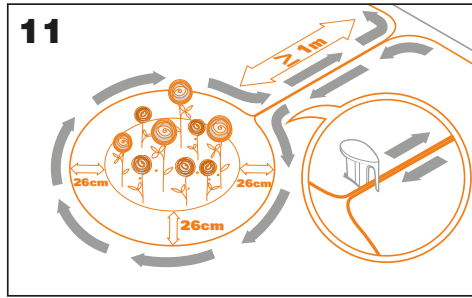
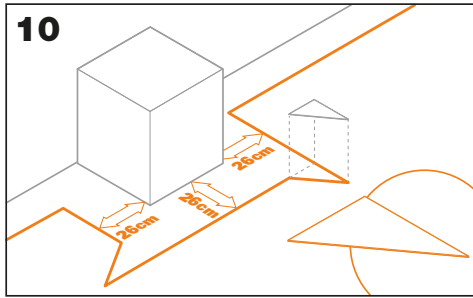
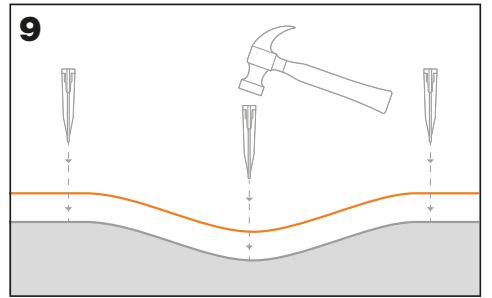
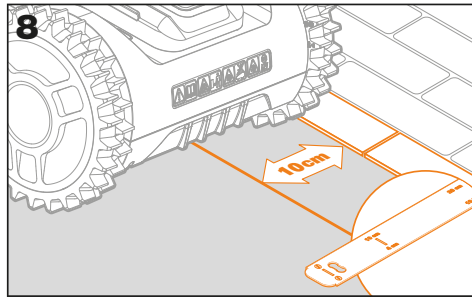
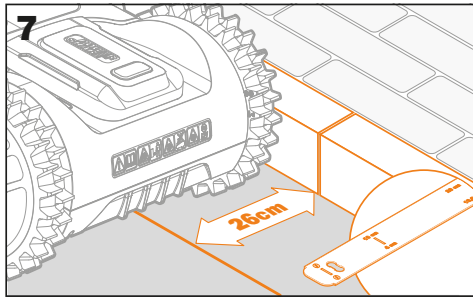
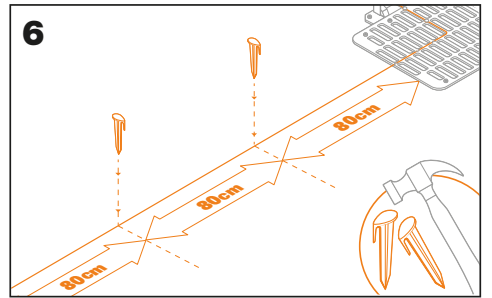
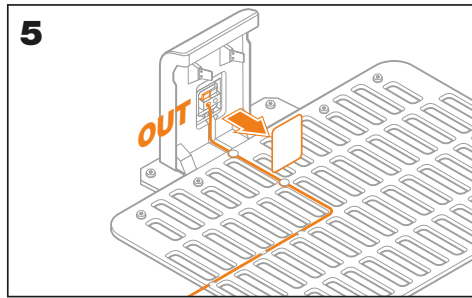
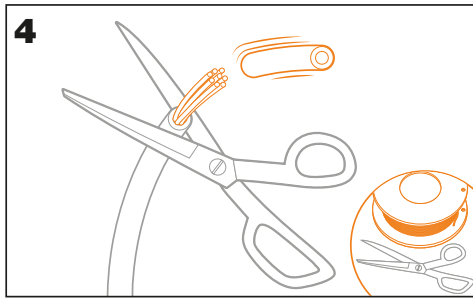
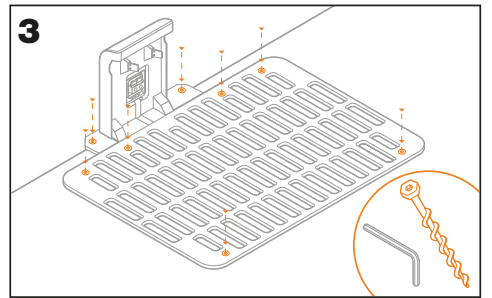
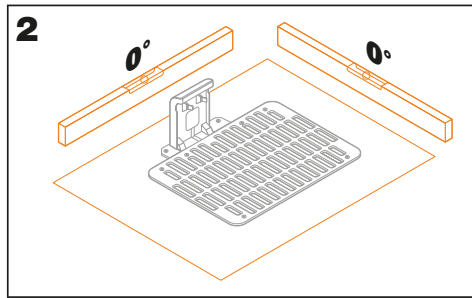
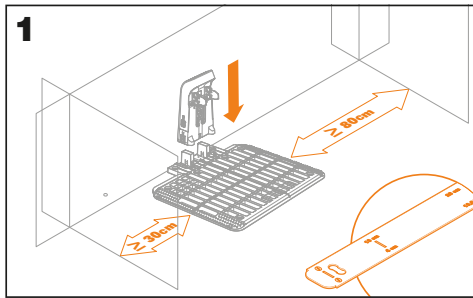
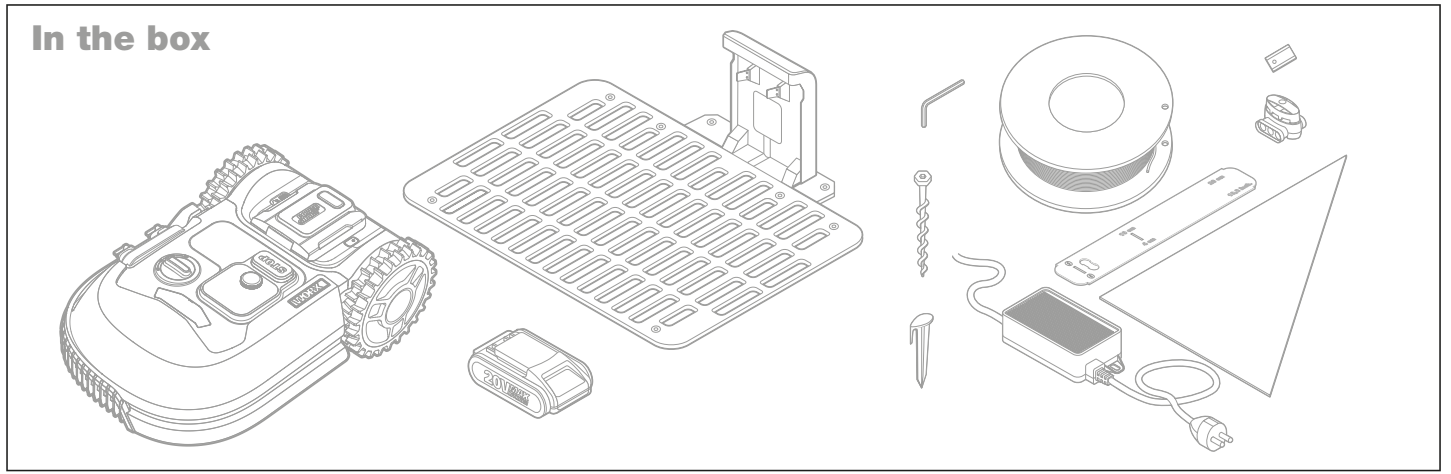


GET IT ON
Google Play

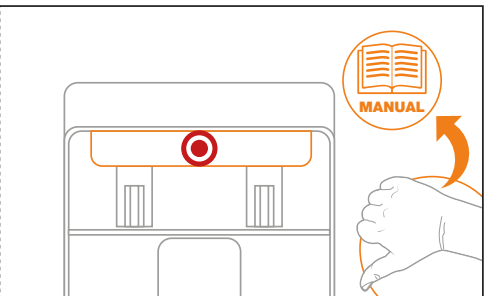
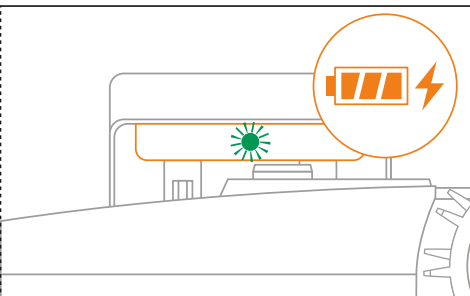
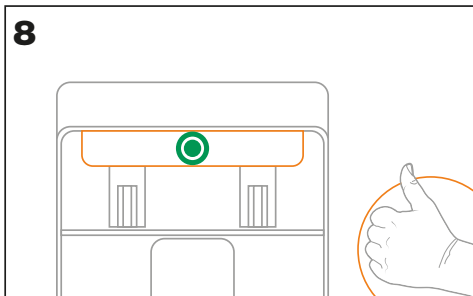
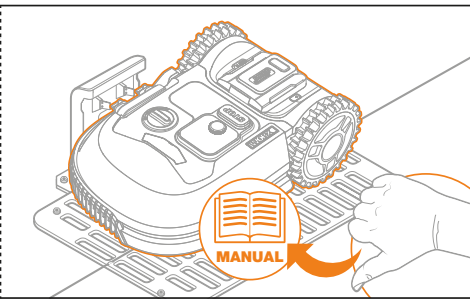
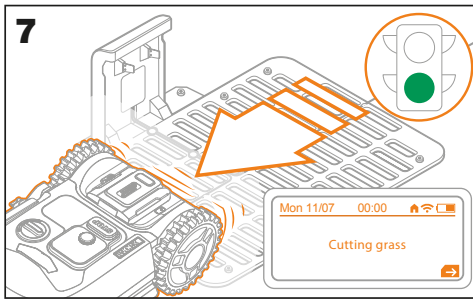
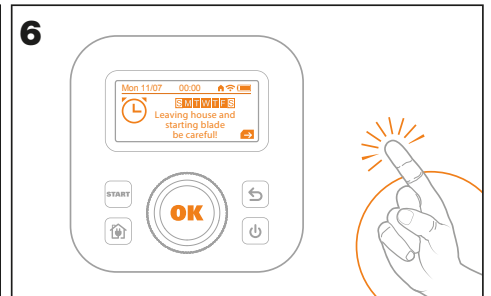
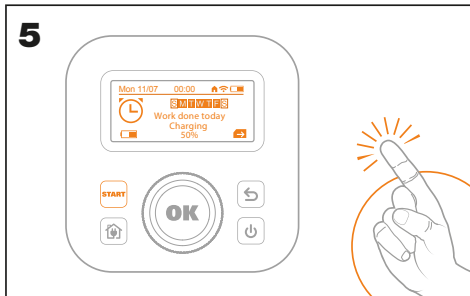
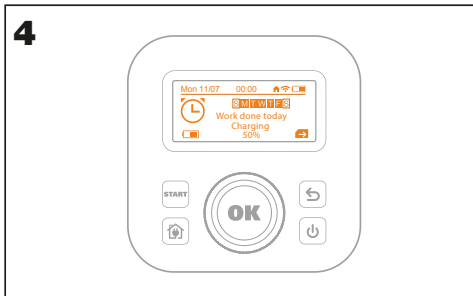
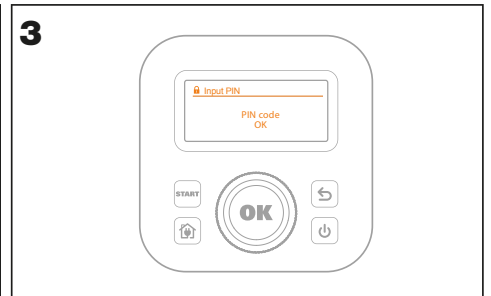
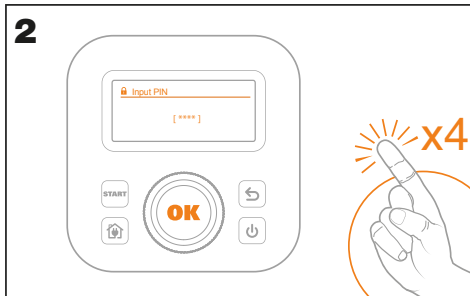


Download on the
App Store

In the box



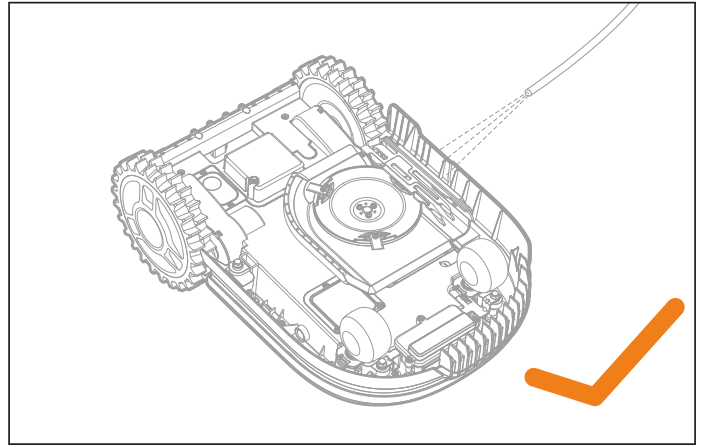
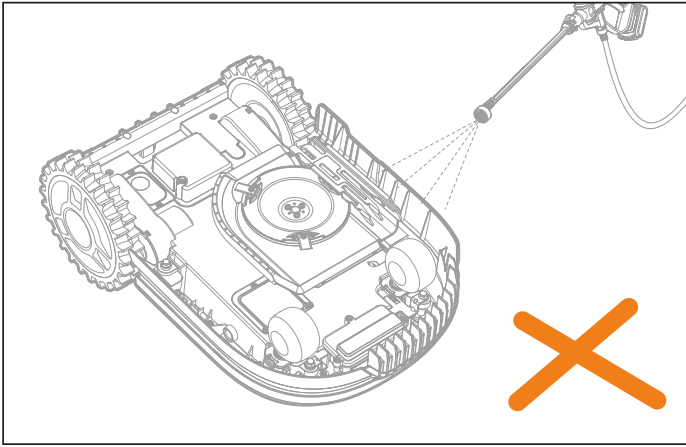
Landroid M
Landroid L



www.worx.com/landroid/support



www.worx.com/landroid/support



www.worx.com/landroid/support



VIDEO



www.worx.com/landroid/support