

# Haier

## REFRIGERATOR User Manual

HDPW5618\*

HDPW5620\*

HTW5618\*

HTW5620\*

\*=Energy Label; Visible Features; Finishing And Color

EN

CZ

DA

DE

EL

ES

FI

FR

HU

IT

NL

NO

PL

PT

RO

SV

- Please read this manual carefully before using refrigerator.
- Retain it for future reference.

**WARNING: Risk of fire/flammable material****EN**

The symbol indicates there is a risk of fire since flammable materials are used. Take care to avoid causing a fire by igniting flammable material.

**VAROVÁNÍ: Nebezpečí Požáru/Hořlavého Materiálu****CS**

Symbol označuje riziko požáru, protože byly použity hořlavé materiály. Dbejte na to, aby nedošlo ke vzniku požáru zapálením hořlavého materiálu.

**ADVARSEL: Brandfare/brændbart materiale****DA**

Symbolet viser, at der er brandfare, da der er anvendt brændbart materiale. Sørg for at undgå en brand som følge af antændelse af brændbart materiale.

**WARNUNG: Brandgefahr/brennbares Material****DE**

Das Symbol weist auf Brandgefahr hin, da brennbare Materialien verwendet werden. Verhindern Sie die Entstehung von Bränden, die durch entflammbare Materialien verursacht werden.

**ΠΡΟΣΟΧΗ: Κίνδυνος φωτιάς/εύφλεκτο υλικό****EL**

Το σύμβολο υποδεικνύει ότι υπάρχει κίνδυνος φωτιάς επειδή χρησιμοποιούνται εύφλεκτα υλικά. Προσέχετε να αποφεύγετε την πρόκληση φωτιάς από ανάφλεξη εύφλεκτου υλικού.

**ADVERTENCIA: Riesgo de incendio o material inflamable****ES**

El símbolo indica que existe riesgo de incendio, dado que se utilizan materiales inflamables. Se debe procurar evitar incendios mediante la combustión de materiales inflamables.

**VAROITUS: Tulipalon vaara / syttyvä materiaalia****FI**

Symboli osoittaa tulipalon vaaraa, joka johtuu käytetyistä syttyvistä materiaaleista. Varo, ettet aiheuta tulipaloa sytyttämällä syttyvää materiaalia.

**AVERTISSEMENT : Risque d'incendie/matière inflammable****FR**

Le symbole indique qu'il y a un risque d'incendie, étant donné que des matières inflammables sont utilisées. Évitez de provoquer un incendie en brûlant des matières inflammables.

**FIGYELMEZTETÉS: Tűzveszély/gyúlékony anyagok****HU**

A szimbólum a tűzveszélyről tájékoztat, ami a gyúlékony anyagok használatából adódik. Figyeljen a tűz megelőzésére, mivel a gyúlékony anyag lángra kaphat.

**ATTENZIONE: Rischio di incendio/materiale infiammabile****IT**

Il simbolo indica il rischio di incendio nel caso di utilizzo di materiali infiammabili. Fare attenzione ed evitare l'insorgere di incendi a causa della combustione di materiali infiammabili.

**WAARSCHUWING: Risico op brand/ontvlambaar materiaal****NL**

Het symbool geeft aan dat er brandgevaar bestaat doordat brandbare materialen worden gebruikt. Let op dat u geen brand veroorzaakt door brandbare materialen te ontsteken.

**ADVARSEL: Fare for brann/brennbart materiale****NO**

Symbolet angir at det er fare for brann siden brannfarlige materialer er brukt. Vær forsiktig så du unngår å forårsake brann ved å isolere brannfarlige materialer.

**OSTRZEŻENIE: Ryzyko pożaru / materiał łatwopalny** **PL**

Ten symbol wskazuje na ryzyko pożaru, ponieważ urządzenie zawiera materiały łatwopalne. Uważaj, aby nie spowodować pożaru przez podpalenie łatwopalnego materiału.

**AVISO: Risco de incêndio e material inflamável** **PT**

O símbolo indica que existe um risco de incêndio, uma vez que são utilizados materiais inflamáveis. Tenha cuidado para evitar provocar um incêndio acendendo material inflamável.

**AVERTISMENT: Risc de incendiu/material inflamabil** **RO**

Simbolul indică riscul de incendiu, deoarece se utilizează materiale inflamabile. Evitați provocarea unui incendiu cauzat de materialele inflamabile.

**VARNING: Risk för brand/brandfarliga material** **SV**


Symbolen indikerar att det finns en brandrisk eftersom brandfarliga material används. Var försiktig för att undvika att brandfarliga material fattar eld.





---

|                          |    |
|--------------------------|----|
| Safety Information.....  | 3  |
| Intended Use.....        | 11 |
| Product Description..... | 12 |
| Control Panel.....       | 18 |
| Use.....                 | 19 |
| Wi-Fi Use.....           | 24 |
| Energy Saving Tips.....  | 28 |
| Equipment.....           | 29 |
| Care And Cleaning.....   | 33 |
| Trouble Shooting.....    | 37 |
| Installation.....        | 41 |
| Technical Data.....      | 44 |
| Customer Service.....    | 50 |



## Thank you

---

### **Thank you for purchasing a Haier Product.**

Please read these instructions carefully before using this appliance. The instructions contain important information that will help you better understand the appliance and ensure safe and proper installation, use and maintenance.

Keep this manual in a convenient place so you can always refer to it for the safe and proper use of the appliance.

EN

If you sell the appliance, give it away, or leave it behind when you move house, please make sure you also pass this manual so that the new owner can become familiar with the appliance and safety warnings with the help of the manual.

**WARNING – Important Safety information****NOTICE-General information and tips****Environmental information**

EN

**Disposal**

Help protect the environment and human health. Put the packaging in applicable containers to recycle it. Help to recycle waste of electrical and electronic appliances. Do not dispose appliances marked with this symbol with the household waste. Return the product to your local recycling facility or contact your municipal office.

**WARNING!**

Risk of injury or suffocation!

Refrigerants and gases must be disposed of professionally. Ensure that the tubing of the refrigerant circuit is not damaged before being properly disposed of. Disconnect the appliance from the mains supply. Cut off the mains cable and dispose of it. Remove the trays and drawers as well as the door catch and seals, to prevent children and pets to get closed in the appliance.

**Before switching on the appliance for the first time read the following safety hints!**



### **WARNING!**

#### **Before first use**

- ▶ Make sure there is no transport damage.
- ▶ Remove all packaging and keep out of children's reach.
- ▶ Wait at least two hours before installing the appliance in order to ensure the refrigerant circuit is fully efficient.
- ▶ Handle the appliance always with at least two persons because it is heavy.

#### **Installation**

- ▶ The appliance should be placed in a well-ventilated place. Ensure a space of at least 10 cm above and around the appliance.
- ▶ Never place the appliance in a damp area or location where it might be splashed with water. Clean and dry water splashes and stains with a soft clean cloth.
- ▶ Do not install the appliance in direct sunlight or in the near of heat sources (e.g. stoves, heaters).
- ▶ Install and level the appliance in an area suitable for its size and use.
- ▶ Keep ventilation openings in the appliance or in the in-built structure clear of obstruction.
- ▶ Make sure that the electrical information on the rating plate agrees with the power supply. If it does not, contact an electrician.
- ▶ The appliance is operated by a 220-240 VAC/50 Hz power supply. Abnormal voltage fluctuation may cause the appliance to fail to start, or damage to the temperature control or compressor, or there may be an abnormal noise when operating. In such case, an automatic regulator shall be mounted.
- ▶ Use a separate earthed socket for the power supply which is easily accessible. The appliance must be earthed.
- ▶ Only for UK: The appliance's power cable is fitted with 3-cord (grounding) plug that fits a standard 3-cord (grounded) socket. Never cut off or dismantle the third pin (grounding). After the appliance is installed, the plug should be accessible.
- ▶ Do not use multi-plug adapters and extension cables.
- ▶ Ensure that the power cable is not trapped by the refrigerator. Do not step on the power cable.
- ▶ Do not damage the refrigerant circuit.
- ▶ Do not locate multiple portable socket-outlets or portable power supplies at the rear of the appliance.



**WARNING!****Daily use**

- ▶ This appliance can be used by children aged from 8 years old and above and persons with reduced physical, sensory or mental capabilities or lack of experience and knowledge, if they have been given supervision or instructions concerning the use of the appliance in a safe way and understand the hazards involved.
- ▶ Children shall not play with the appliance.
- ▶ Children aged from 3 to 8 years are allowed to load and unload refrigerating appliances, but not allowed to clean and install the refrigerating appliances.
- ▶ Keep children under 3 years old away from the appliance unless they are under supervision all the time.
- ▶ Cleaning and user maintenance shall not be made by children without supervision.
- ▶ The appliance must be positioned so that the plug is accessible.
- ▶ If cool gas or other inflammable gas is leaking in the vicinity of the appliance, turn off the valve of the leaking gas, open the doors and windows and do not unplug a plug in the power cable of the refrigerator or any other appliance.
- ▶ Notice that the appliance is set for operation at a specific ambient range between 10 C and 43 C. The appliance may not work properly if it is left for a long period at a temperature above or below the indicated range.
- ▶ Do not place unstable articles (heavy objects, containers filled with water) on top of the refrigerator/freezer, to avoid personal injury caused by falling or electric shock caused by contact with water.
- ▶ Do not pull on the door shelves. The door may be pulled slant, the bottle rack may be pulled away, or the appliance may topple.
- ▶ Open and close the door only with handles. The gap between the door and the cabinet is very narrow. Do not put your hands in these areas to avoid pinching your fingers. Open or close the refrigerator/freezer doors only when there are no children standing within the range of door movement.
- ▶ Never store bottled beer or beverages, liquids in bottles or cans (besides high percentage spirits) especially carbonated beverages in the freezer, as these will burst during freezing.
- ▶ Do not store explosive substances such as aerosol cans with a flammable propellant in this appliance.



### WARNING!

- ▶ Do not store medicines, bacteria or chemical agents in the appliance. This appliance is a household appliance. It is not recommended to store materials that require strict temperatures.
- ▶ To avoid contamination of food, please respect the following instructions:
  - ▶ – Opening the door for long periods can cause a significant increase of the temperature in the compartments of the appliance.
  - ▶ – Clean regularly surfaces that can come in contact with food and accessible drainage systems.
  - ▶ – Clean water tanks if they have not been used for 48 h; flush the water system connected to a water supply if water has not been drawn for 5 days.
  - ▶ – Store raw meat and fish in suitable containers in the refrigerator, so that it is not in contact with or drip onto other food.
  - ▶ – Two-star frozen-food compartments are suitable for storing pre-frozen food, storing or making ice-cream and making ice cubes.
  - ▶ – One-, two- and three-star compartments are not suitable for the freezing of fresh food.
  - ▶ – If the refrigerating appliance is left empty for long periods, switch off, defrost, clean, dry, and leave the door open to prevent mould developing within the appliance.
- ▶ Check the condition of food if a warming in the freezer has taken place.
- ▶ Do not set unnecessarily low temperature in the refrigerator compartment. Minus temperatures may occur at high settings. Attention: Bottles can burst.
- ▶ Do not touch frozen goods with wet hands (wear gloves). Especially do not eat ice lollies immediately after removal from the freezer compartment. There is the risk to freeze or the formation of frost blisters. FIRST aid: keep immediately under running cold water. Do not pull away!
- ▶ Do not touch the inside surface of the freezer storage compartment when in operation, especially with wet hands, as your hands may freeze onto the surface.
- ▶ Unplug the appliance in the event of a power interruption or before cleaning. Allow at least 7 minutes before restarting the appliance, as frequent starting may damage the compressor.
- ▶ Do not use electrical appliances inside the food storage compartments of the appliance, unless they are of the type recommended by the manufacturer.

**WARNING!****Maintenance/cleaning**

- ▶ Make sure children are supervised if they carry out cleaning and maintenance.
- ▶ Disconnect the appliance from the electrical supply before undertaking any routine maintenance. Allow at least 5 minutes before restarting the appliance, as frequent starting may damage the compressor.
- ▶ Hold the plug, not the cable, when unplugging the appliance.
- ▶ Do not clean the appliance with hard brushes, wire brushes, detergent powder, petrol, amyl acetate, acetone and similar organic solutions, acid or alkaline solutions. Please clean with special refrigerator/freezer detergent to avoid damage. Eventually use warm water and baking soda solution - about a tablespoon of baking soda to a litre/quart of water. Rinse thoroughly with water and wipe dry. Do not use cleaning powders or other abrasive cleaners. Do not wash removable parts in a dishwasher.
- ▶ Do not scrape off frost and ice with sharp objects. Do not use sprays, electric heaters like heater, hair dryer, steam cleaners or other sources of heat in order to avoid damage to the plastic parts.
- ▶ Do not use mechanical devices or other means to accelerate the defrosting process, other than those recommended by the manufacturer.
- ▶ If the supply cord is damaged, it must be replaced by the manufacturer, its service agent or similarly qualified persons in order to avoid a hazard.
- ▶ Do not try to repair, disassemble or modify the appliance by yourself. In case of repair please contact our customer service.
- ▶ If the illuminating lamps are damaged, it must be replaced by the manufacturer, its service agent or similarly qualified persons in order to avoid a hazard.
- ▶ Eliminate the dust on the back of the unit at least once in the year to avoid hazard by fire, as well as increased energy consumption.
- ▶ Do not spray or flush the appliance during cleaning.
- ▶ Do not use water spray or steam to clean the appliance.
- ▶ Do not clean the cold glass shelves or glass door with hot water. Sudden temperature change may cause the glass to break.
- ▶ If you leave your appliance out of use for an extended period, leave it open to prevent odour and unpleasant smells building up inside.

### Refrigerant gas information



#### **WARNING!**

The appliance contains the flammable refrigerant ISOBUTANE (R600a). Make sure the refrigerant circuit is not damaged during transportation or installation. Leaking refrigerant may cause eye injuries or ignite. If a damage has occurred, keep away open fire sources, thoroughly ventilate the room, do not plug or unplug the power cords of the appliance or any other appliance. Inform the customer service.

In case of eyes get into contact with the refrigerant, rinse immediately it under running water and call immediately the eye specialist.

The refrigeration system is under high pressure. Do not tamper with it. Since the flammable refrigerants are used, please install, handle and service the appliance strictly according to the instruction and contact the professional agent or our after-sales service to dispose of the appliance.

For refrigerators with ice-water function, please pay attention to the following warning:

- For appliances not intended to be connected to the water supply: fill with portable water only.
- For appliances intended to be connected to the water supply: connect to potable water supply only.
- If you want to clean the water system, please refer to the User Manual. If you have any questions, please contact the after-sales service.

## Intended use

This appliance is intended for cooling and freezing food. It has been designed exclusively for use in household and similar applications such as staff kitchen areas in shops, offices and other working environments; farm houses and by clients in hotels, motels and other residential type environments as well as in bed-and-breakfast and catering business. It is not intended for commercial or industrial use. Changes or modifications to the device are not allowed. Unintended use may cause hazards and loss of warranty claims.

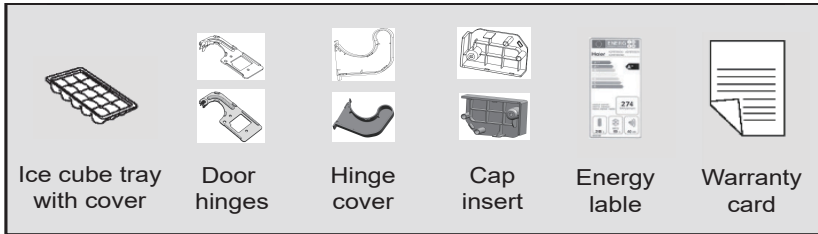
EN

## Standards and directives and

This product meets the requirements of all applicable EC directives with the corresponding harmonised standards and UK standards, which provide for CE and UKCA marking.

## Accessories

Check the accessories and literature in accordance with this list:



### NOTICE

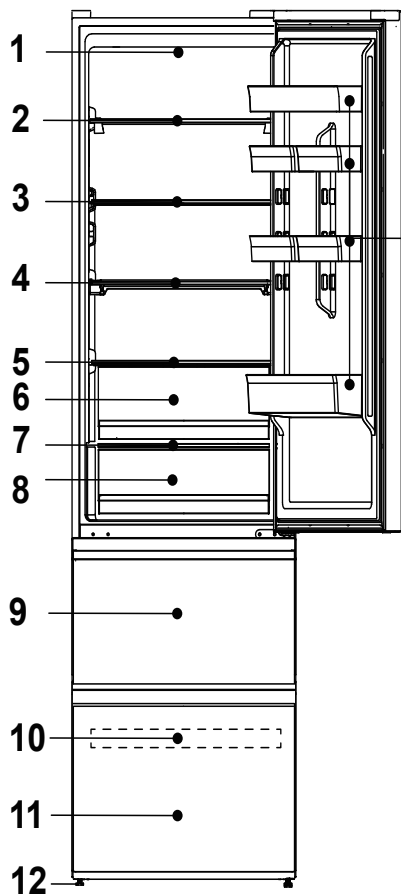
Due to technical changes and different models, some of the illustrations in this manual may differ from your model.



## NOTICE

Due to technical changes and different models, some of the illustrations in this manual may differ from model. (HTW5620\*N\*)

EN



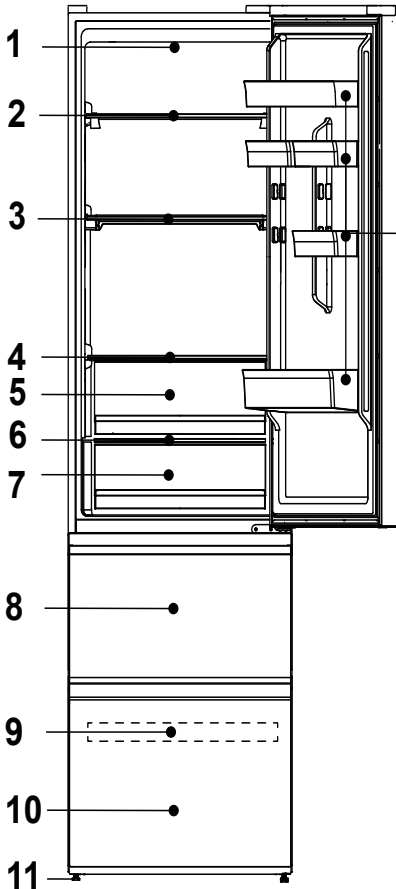
- 1-Refrigerator LED lamp
- 2-Wine rack
- 3-Glass shelf
- 4-Foldable shelf
- 5-Humidity Zone box cover
- 6-Humidity Zone box
- 7-My Zone box cover
- 8-My Zone box
- 9-Upper freezer storage drawer
- 10-Freezer tray
- 11-Lower freezer storage drawer
- 12-Adjustable feet
- 13-Door balcony



**NOTICE**

Due to technical changes and different models, some of the illustrations in this manual may differ from model. (HTW5618\*N\*)

EN



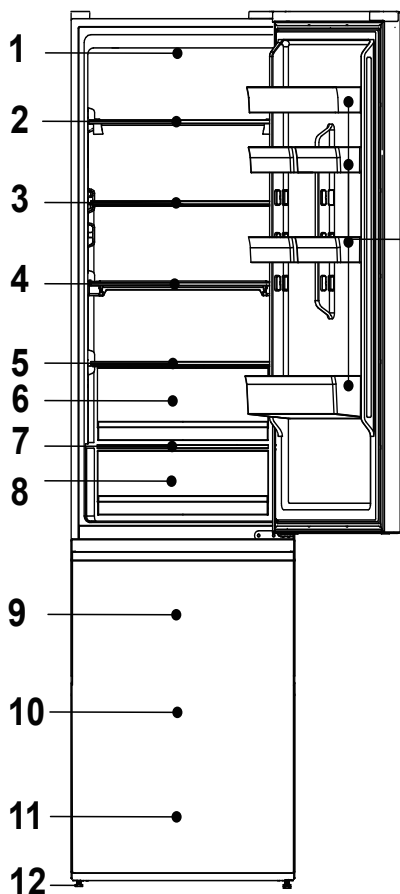
- 1-Refrigerator LED lamp
- 2-Wine rack
- 3-Foldable shelf
- 4-Humidity Zone box cover
- 5-Humidity Zone box
- 6-My Zone box cover
- 7-My Zone box
- 8-Upper freezer storage drawer
- 9-Freezer tray
- 10-Lower freezer storage drawer
- 11-Adjustable feet
- 12-Door balcony



## NOTICE

Due to technical changes and different models, some of the illustrations in this manual may differ from model. (HDPW5620\*N\*)

EN

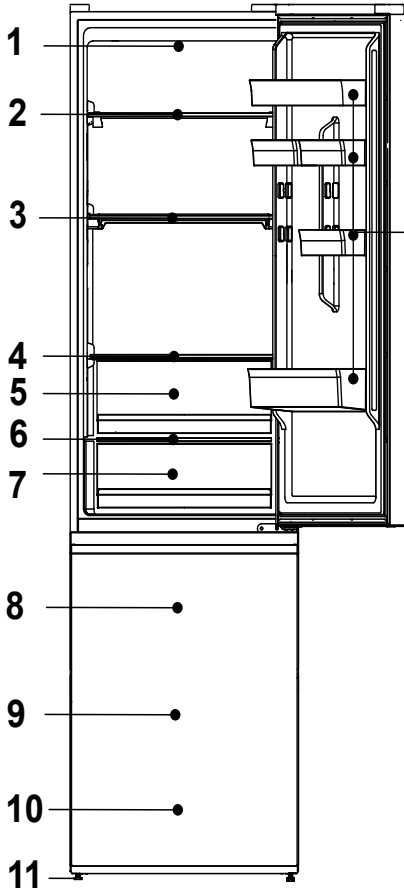


- 1-Refrigerator LED lamp
- 2-Wine rack
- 3-Glass shelf
- 4-Foldable shelf
- 5-Humidity Zone box cover
- 6-Humidity Zone box
- 7-My Zone box cover
- 8-My Zone box
- 9-Upper freezer storage drawer
- 10-Middle freezer storage drawer
- 11-Lower freezer storage drawer
- 12-Adjustable feet
- 13-Door balcony



**i** NOTICE

Due to technical changes and different models, some of the illustrations in this manual may differ from model. (HDPW5618\*N\*)



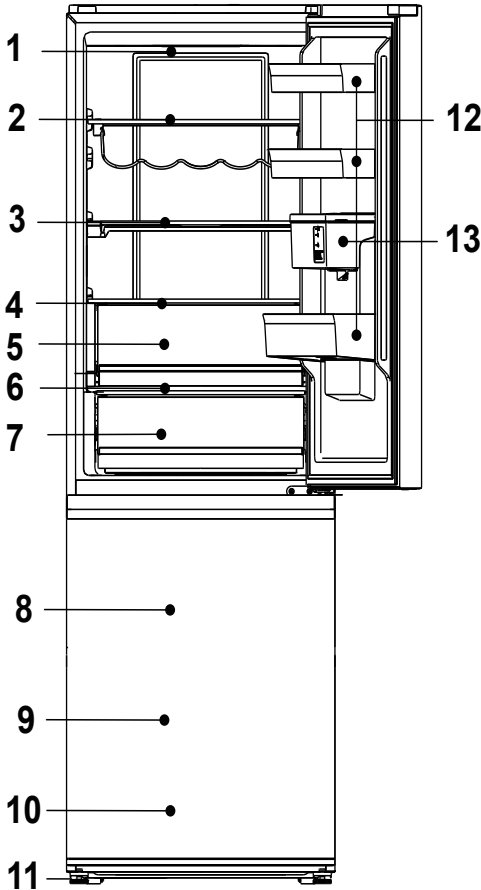
- 1-Refrigerator LED lamp
- 2-Wine rack
- 3-Foldable shelf
- 4-Humidity Zone box cover
- 5-Humidity Zone box
- 6-My Zone box cover
- 7-My Zone box
- 8-Upper freezer storage drawer
- 9-Middle freezer storage drawer
- 10-Lower freezer storage drawer
- 11-Adjustable feet
- 12-Door balcony



## NOTICE

Due to technical changes and different models, some of the illustrations in this manual may differ from model. (HDPW5618DW\*)

EN

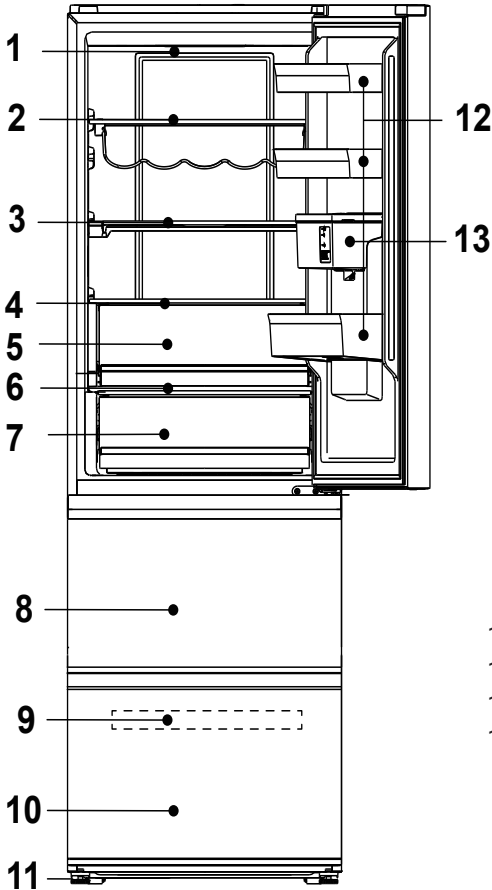


- 1-Refrigerator LED lamp
- 2-Wine rack
- 3-Foldable shelf
- 4-Humidity Zone box cover
- 5-Humidity Zone box
- 6-My Zone box cover
- 7-My Zone box
- 8-Upper freezer storage drawer
- 9-Middle freezer storage drawer
- 10-Lower freezer storage drawer
- 11-Adjustable feet
- 12-Door balcony
- 13-Water tank



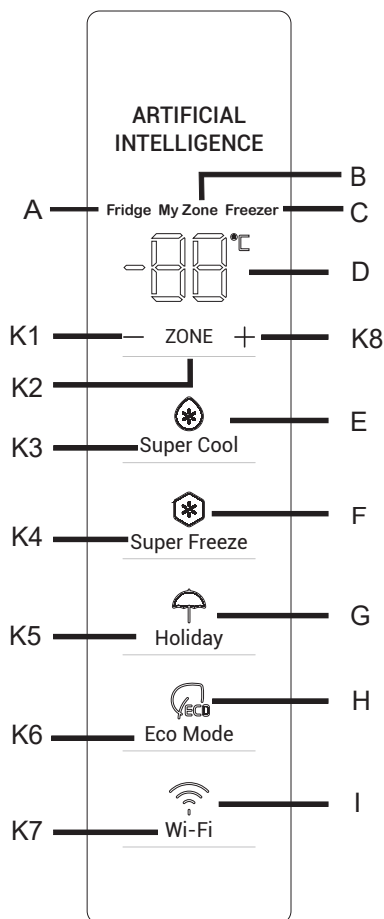
**NOTICE**

Due to technical changes and different models, some of the illustrations in this manual may differ from model. (HTW5618DW\*)



- 1-Refrigerator LED lamp
- 2-Wine rack
- 3-Foldable shelf
- 4-Humidity Zone box cover
- 5-Humidity Zone box
- 6-My Zone box cover
- 7-My Zone box
- 8-Upper freezer storage drawer
- 9-Freezer tray
- 10-Lower freezer storage drawer
- 11-Adjustable feet
- 12-Door balcony
- 13-Water tank

## Control panel



Buttons:

- A Fridge compartment
- B My Zone compartment
- C Freezer compartment
- D Temperature display
- E Super Cool function
- F Super Freeze function
- G Holiday function
- H Eco Mode function
- I Wi-Fi function

Indicators:

- K1 Decrease temperature
- K2 Fridge, My Zone and Freezer selection
- K3 Super Cool function on/off
- K4 Super Freeze function on/off
- K5 Holiday function on/off
- K6 Eco Mode function on/off
- K7 Wi-Fi function on/off
- K8 Increase temperature

### Before first use

Remove all packaging materials, keep them out of children's reach and dispose them in an environment friendly way.

Clean the inside and outside of the appliance as well as the interior and accessories with water and a mild detergent, and dry it well with soft cloth.

After the appliance has been levelled and cleaned, please wait for at least 2 hours before connecting it to the power supply. See Section INSTALLATION.

Precool the compartments at high settings before loading with food. The function Super Freeze helps to cool down the freezer compartment quickly

## Sensor keys

The buttons on the control panel are sensor keys, which already respond when lightly touched with the finger.

## Switch on /of the appliance

The appliance is in operation as soon as it is connected to the power supply.

When the appliance is powered on for the first time, temperature indicators "D" shows the presetting values (refer to the below Notice).



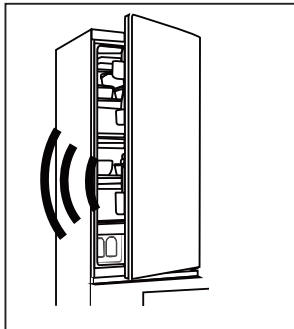
## NOTICE

The appliance is preset to the recommended temperature of 5 °C (refrigerator) and -18 °C (freezer). My Zone temperature is preset to about 2 °C. These are the recommended settings. If desired, you can change these temperatures manually.

## Door opening alarm

When the refrigerator door is open for more than 3 minutes, the door opening alarm will sound.

The alarm can be silenced by closing the door. If the door is open for more than 7 minutes, the light inside the refrigerator and control panel illumination will automatically switch off.



Adjust the temperature

The indoor temperatures are influenced by the following factors:

Ambient temperature

Frequency of door opening

Amount of stored foods

Installation of the appliance

## Adjust the temperature for fridge

1. Press the key "K2" (Fridge/ (My Zone)/ Freezer selection) to select the Fridge compartment. Icon "A" (Fridge compartment) and "D" (Temperature display) are bright.
2. Press the key "K1/K8" to set the fridge temperature.

EN

The temperature increases in sequences of 1°C, from a minimum of 2°C to a maximum of 8°C. The optimal temperature in the refrigerator is 5°C. Colder temperatures mean unnecessary energy consumption.

3. After about 5s, temperature icon "D" (Temperature display) will be bright permanently and the setting is confirmed.



### NOTICE

From the App it is possible to customize the temperature for both fridge and freezer. The temperature can be set with 1°C sensitivity.

## Adjust the temperature for freezer

1. Press the touching key "K2" (Fridge/ (My Zone)/ Freezer selection) to select the freezer compartment. Icon "C" (Freezer compartment) and "D" (Temperature display) are bright.
2. Press the touching key "K1/K8" to set the freezer temperature.

The temperature increases in sequences of 1°C, from a minimum of -24°C to a maximum of -16°C. The optimal temperature in the refrigerator is -18. Colder temperatures mean unnecessary energy consumption.

3. After about 5s, temperature indicator "D" (Temperature display) will be bright permanently and the setting is confirmed.



### NOTICE

After setting the temperature, if other keys are pressed within 5 seconds, the current temperature setting will be confirmed immediately. If no key operation is performed within 5 seconds, the current set temperature is displayed until the screen extinguishes.

## Adjust the temperature for My zone

The fridge compartment is equipped with a My Zone box. In accordance with the food storage demands, the most suitable temperature can be selected to get the optimal nutritional value of the foods.

1. Press the key "K2" (Fridge/ (My Zone)/ Freezer selection) to selecting the My Zone compartment. Icon "B" (My Zone compartment) and "D" (Temperature display) are bright. It can also be selected from the App.
2. Press the touching key "K1/K8" to set the My Zone temperature. The temperature can also be adjusted on the App.

The temperature increases in sequences of 1°C, from a minimum of 0°C to a maximum of 5°C.

3. After about 5s, temperature icon "D" (Temperature display) will be bright permanently and the setting is confirmed.

EN



### NOTICE

1. You can set the temperature of the My Zone compartment in the middle level (2°C), in order to preserve your food in the optimal storage environment.
2. Due to different water contents of meat, some meat with higher moisture will be frozen at temperatures lower than 0°C, so "immediately cut" meat should be stored in My Zone box, with minimum temperature 0°C.
3. Cold-sensitive fruit like pineapples, avocados, bananas, grapefruits and vegetables such as potatoes, aubergines, beans, cucumbers, zucchini and tomatoes and cheese should not be stored in the My Zone box.
4. If the fridge temperature lower than My Zone temperature, it is normal the My Zone temperature lower than the My Zone setting temperature.

## Super-Cool function

1. It is suggested to switch on the Super Cool function if larger quantity of food should be stored (for example after the purchase). The Super Cool function accelerates the cooling of fresh food and protects the food already stored from undesirable warming.
2. Press key "K3" or turn it on from the App, icon "E" (Super Cool function) is bright and the function is activated.



## NOTICE

1. The appliance quits "Super Cool function" after entering "Super Cool function" for 6 hours or pressing key "K3" when the icon "E" (Super Cool function) is bright or turn it off from the App.
2. In the state of Super Cool, if the temperature of the fridge compartment is adjusted, icon "E" (Super Cool function) flashes to indicate that this operation cannot be done.

EN

## Super-Frz function

1. Fresh food should be frozen as quickly as possible to the core. This can preserve the best nutritional value, appearance and taste. The Super Freeze function accelerates the freezing of fresh food and protects the food already stored from undesirable warming. If you need to freeze a large amount of food at once, it is recommended to set the Super Freeze function on ahead for 24h before the usage of frozen room.
2. Press key "K4" (Super Freeze function setting) or turn it on from the App, the icon "F" (Super Freezer function) is bright and the function is activated.



## NOTICE

1. The appliance quits "Super Freeze function" after entering "Super Freeze function" for 50 hours or pressing button "K4" when the icon "F" (Super Freezer function) is bright or turn it off from the App.
2. In the state of Super Freeze, if the temperature of the freezing compartment is adjusted, icon "F" (Super Freezer function) flashes to indicate that this operation cannot be carried out.

## Holiday function

The Holiday function can be used to reduce the energy consumption of the appliance, when it is not used regularly. When the function is on, the fridge is turned, whereas the freezer will keep working normally. The function sets the fridge temperature permanently to 17°C.

This allows to keep the door of the empty refrigerator closed without causing an odour or mold-during a long absence (e.g. during holiday). The freezer compartment is free for your setting.

1. Press key "K5" (Holiday function on/off) or select the function from the App, the icon "G" (Holiday function) is bright and the function is activated.
2. The function can be deactivated by pressing key "K5" (Holiday function on/off) again or by setting the fridge temperature or by performing any other setting, or turning it off from the App.





## NOTICE

1. During the Holiday function, no food should be stored in the fridge compartment. The temperature of +17°C is too high for storing food.
2. When Holiday function is on, My Zone icon keeps off and fridge function is locked. If the temperature of the fridge compartment is adjusted, icon "G" (Holiday function) flashes to indicate that this operation cannot be done.

## Eco Mode function

The Eco Mode can be activated to optimize the performance of the appliance, whereas obtaining the best food storage. If you do not have any special requirements, we recommend that you use Eco Mode function.

This mode the fridge temperature is 5°C, the freeze temperature is -18°C.

1. Press key "K6" (Eco Mode function on/off) or select the function from the App.
2. Icon "H" (Eco Mode function) is bright and the function is activated.

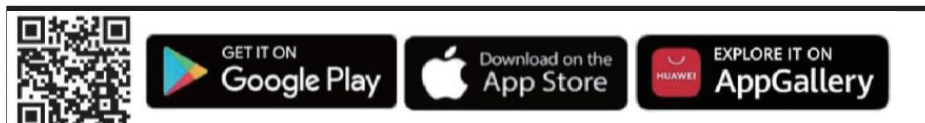
By repeating the above steps or selecting another function or turning off from the App, this function can be switched off again. The previously set cooling levels are restored.



## NOTICE

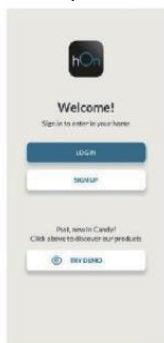
During the Eco Mode function, if the temperature of the fridge/freezing compartment are adjusted, icon "H" (Eco Mode function) flashes to indicate that this operation cannot be done.

Step 1 Download the hOn-App from the stores.



EN

Step 2 Create your account in the hOn-App or log in if you already have an account.



Step 3 Follow pairing instructions in the hOn-App.



### Wi-Fi function

1. Follow in App instructions to configure the Wi-Fi.
2. Once the Wi-Fi is configured and the connection established, the Wi-Fi icon "I" is bright and fixed.
3. If the Wi-Fi has already been configured, it will automatically reconnect according to the configuration information if turns on the Wi-Fi.

### NOTICE

1. To turn off the Wi-Fi, press Wi-Fi key "K7" and the Wi-Fi icon "I" turns off.
2. To turn on the Wi-Fi and start the configuration, press Wi-Fi key "K7" and the Wi-Fi icon "I" starts flashing slowly. If want to configure Wi-Fi function, press the key "K7" for 3 sec, the Wi-Fi icon flashes quickly and enters the configuration mode. If want to turn off the Wi-Fi function, press key "K7" once. The above steps are repeated.
3. If the product has been configured and the Wi-Fi function was turn off, the refrigerator will not enter the configuration mode once it is reconnected to the power.

### NOTICE

1. This product is not intended for commercial use.
2. The Max RF Output Power: 2.4 GHz Wi-Fi: 16dBm;
3. Bluetooth LE: 5dBm; Bluetooth (BR/EDR): 10dBm.
4. Frequency band of operation: 2400-2483.5 MHz.

## Storing into the refrigerator compartment

Keep your fridge temperature below 5°C.

Hot food must be cooled to room temperature before storing in the appliance.

Foods stored in the refrigerator should be washed and dried before storing.

Food to be stored should be properly sealed to avoid odor or taste alterations.

Do not store excessive quantities of food. Leave spaces between foods to allow cold air flowing around them, for a better and more homogeneous cooling.

Foods eaten daily should be stored at the front of the shelf.

Leave a gap between foods and the inner walls, allowing air flowing. In any way, don't store foods against the rear wall: foods could freeze against the rear wall. Avoid direct contact of food (especially oily or acidic food) with the inner liner, as oil/acid can erode the inner liner. Clean away oily/acid dirt whenever it is found.

Frozen food can be gently defrizzed in the refrigerator compartment. This saves energy.

The ageing process of fruit and vegetables such as courgettes, melons, papaya, bananas, pineapples, etc. can be accelerated in the refrigerator. Therefore, it is not recommended to store them in the refrigerator. However, the ripening of strongly green fruits can be promoted for a certain period. Onions, garlic, ginger and other root vegetables should also be stored at room temperature.

Unpleasant odours inside the fridge are a sign that something has spilled and cleaning is required. See Care And Cleaning.

Different foods should be placed in different areas according to their properties.

## Storage into the freezer compartment

Keep the freezer temperature at -18°C.

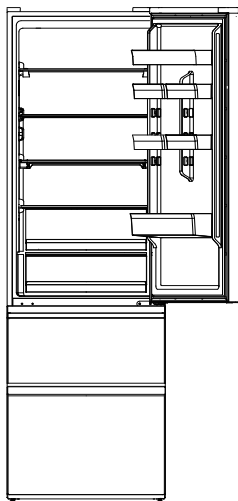
24 hours before freezing, switch on the Super-Freeze function. For little quantities of food, 4-6 hours are sufficient.

Hot food must be cooled to room temperature before storing in the freezer compartment.

Food cut into small portions will freeze faster and be easier to defrost and cook. The recommended weight for each portion is less than 2.5 kg

It is better to pack food before putting it into the freezer. The outside of the packaging must be dry to avoid bags sticking together. Packaging materials should be odour-free, airtight, non-poisonous and nontoxic.

In order to avoid expiration of storage periods, please note the freezing date, time limit and name of the food on the packaging according to the storage periods of different foods.



## WARNING!

- ▶ Acid, alkali and salt etc. could erode the internal surface of the freezer.
- ▶ Do not place the food with these substances (e.g. sea fish) directly on the internal surface. Salt water in the freezer should be cleaned up immediately.
- ▶ Do not exceed the food storage time recommended by the manufacturers. Only take the required amount of food out of the freezer.
- ▶ Consume defrosted food quickly. Defrosted food cannot be re-frozen unless it is first cooked, otherwise it may be less edible.
- ▶ Do not load excessive quantities of fresh food in the freezer compartment. Refer to the freezing capacity of the freezer - See TECHNICAL DATA or data at the type plate.
- ▶ Food can be stored in the freezer at a temperature of at least  $-18^{\circ}\text{C}$  for 2 to 12 months, depending on its properties (e.g. meat: 3-12 months, vegetables: 6-12 months)
- ▶ While freezing fresh food, avoid bringing them in contact with already frozen food. Risk of thawing!

### When storing commercially frozen foods, please follow these guidelines:

Always follow manufacturers' guidelines for the length of time you should store food for. Do not exceed these guidelines!

Try to keep the length of time between purchase and storage as short as possible to preserve food quality.

Buy frozen food, which have been stored at a temperature of  $-18^{\circ}\text{C}$  or below.

Avoid buying food which has ice or frost on the packaging - This indicates that the products might have been partially defrosted and refrozen at some point-temperature rising affects the quality of food.

## Water dispenser

With the water dispenser cool drinking water can be tapped.

The water tank should be cleaned before first use (see CARE AND CLEANING).

### Filling the water tank



#### WARNING!

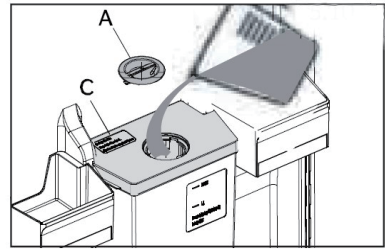
- Use drinking water only.

1.Ensure that the water tank is properly inserted (see EQUIPMENT).

2.Rotate and lift the round lid (A) and pour fresh drinking water into the water tank (Fig.5.10.1).

3.Fill water only up to the mark (2.5 L); as it could overflow when the door opens and closes.

4.Close the round lid (A) until it clicks into place.



EN



#### NOTICE

1. The appliance quits "Super Cool function" after entering "Super Cool function" for 6 hours or pressing key "K3" when the icon "E" (Super Cool function) is bright or turn it off from the App.
2. In the state of Super Cool, if the temperature of the fridge compartment is adjusted, icon "E" (Super Cool function) flashes to indicate that this operation cannot be done.



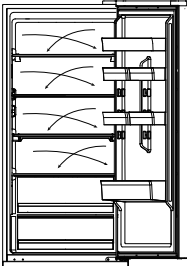
### Energy saving tips

- ▶ Make sure the appliance is properly ventilated (see INSTALLATION).
- ▶ Do not install the appliance in direct sunlight or near the heat sources (eg. stoves, heaters).
- ▶ Avoid unnecessarily low temperature in the appliance. The energy consumption increases with the decreasing of the setting temperature in the appliance.
- ▶ Functions like SUPER FREEZE consume more energy.
- ▶ Allow warm food to cool down before placing it in the appliance.
- ▶ Open the appliance door as little and briefly as possible.
- ▶ Do not overfill the appliance to avoid obstructing the air flow.
- ▶ Avoid air within the food packaging.
- ▶ Keep door seals clean so that the door always closes correctly.
- ▶ Defroze frozen food in the fridge storage compartment or use the D-Frost function in the My Zone box.
- ▶ The most energy-saving configuration requires drawer, food box and shelves to be positioned in the appliance in a factory-fresh condition, and food to be placed without blocking the air outlet of the duct.



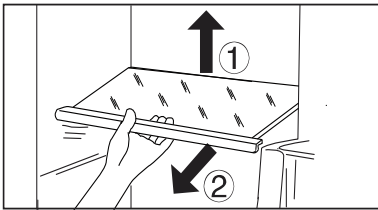
## NOTICE

Due to different models, your product may not have all of the following features. Please refer to chapter Product Description.I.



### Multi-air-flow

The refrigerator is equipped with a multi-air-flow system, with which cool air flows are located on every shelf level. This helps to maintain a uniform temperature to ensure that your food is kept fresher for longer.



### Adjustable shelves

1. The height of the shelves can be adjusted to fit your storage needs.
2. To relocate a shelf, remove it first by uplifting its hind edge ① and pulling it out ②.
3. To reinstall it, put it on the lugs on both sides and push it to the most rearward position until the rear of the shelf is fixed inside the slots in the sides



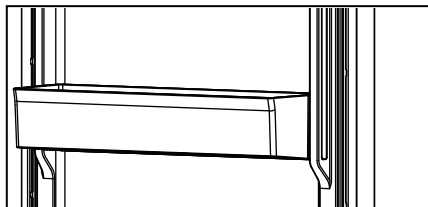
## NOTICE

Ensure that all ends of a shelf are level.

### Removable door balcony

The door balcony can be removed for cleaning:

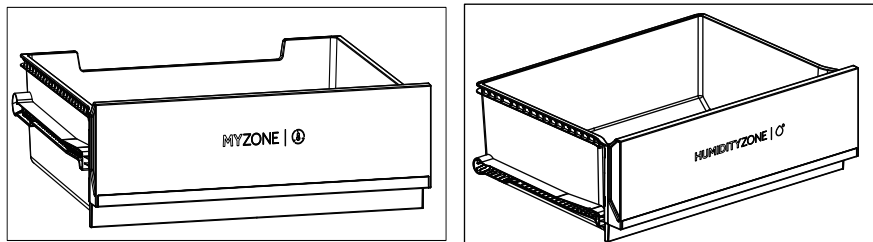
Place hands on each side of the balcony, lift it upwards (1) and pull it out (2). In order to insert the door balcony, the above steps are carried out in a reverse order.



### My Zone box

For using and setting the My Zone compartment , please check section USE (My Zone)..

EN



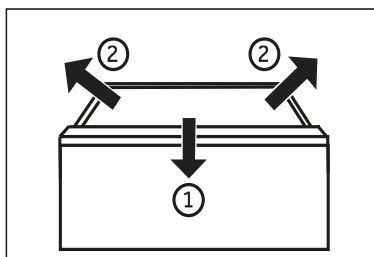
### Humidity Zone box

In this compartment the humidity level is controlled automatically by the system and it is suitable to store fruits, vegetables, salads etc.

### Removable drawer

To remove the drawer out of the fridge or freezer compartment, pull out to the maximum extent (1), lift and remove (2).

In order to insert the drawer, the above steps are carried out in a reverse order.



### Freezer drawer

The freezer drawer can be extended straightly and completely. They are mounted on easy roll telescopic rail. So that you can store and remove the freezing good comfortably. Because of the automatic door closing mechanism, the handing is easy and you can save energy.



**WARNING!**

Do not overload the drawers: Maximum load of each drawer: 35kg!

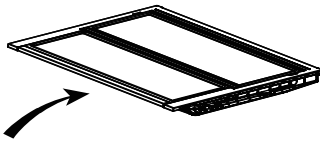
**The Light**

The LED interior light comes on when the door is open. The performance of the lights is not affected by any other appliances settings..

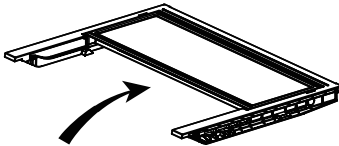
EN

**Foldable shelves**

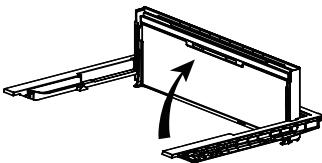
The foldable shelves will allow the user to put high bottles or items on the shelves. The shelves can be folded at the back and the available space of the lower shelf will be larger. The shelf can be folded following Step 1-3. If want to return to the original location, reverse the following procedures.



Step 1: Push the front of the shelf slowly to the end.



Step 2: Push the shelf upward slowly to its vertical location.



Step 3: The shelf is vertical. It will save space.

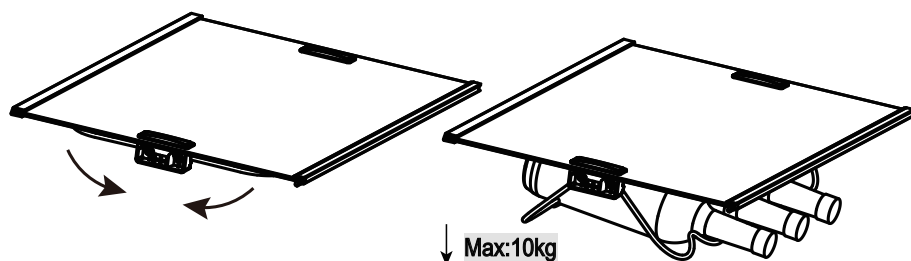
### Foldable bottle rack

For normal use

1. Pull down the brackets of the bottle rack
2. Fit the bottles into the rack

When not use, the bottle rack can be folded back in order to save space.

EN



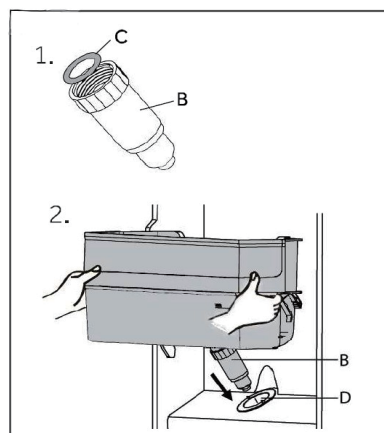
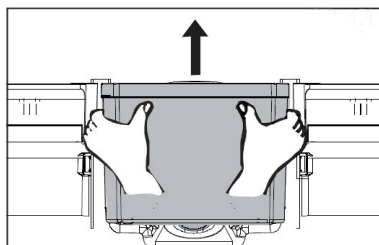
### Water tank

#### Remove water tank

The water tank can be removed and reinstalled for cleaning in the same way as the door racks.

#### Insert water tank

1. Make sure the dispenser spout (B) is firmly screwed to the water tank and the white O-ring (C) is in position.
2. Place the water tank in the position that the dispenser spout (B) fits into the opening of the door (D).



### NOTICE

- ▶ Make sure the spout is firmly screwed to the water tank and the white O-ring (C) is in position.
- ▶ If the water tank is not properly inserted, water can drip from the connection.
- ▶ Do not use excessive force when removing or installing the water tank, to avoid damaging the tank.

**WARNING!**

Disconnect the appliance from the power supply before cleaning.

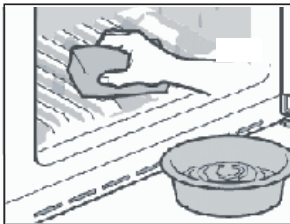
**Cleaning**

Clean the appliance when only little or no food is stored.

The appliance should be cleaned every four weeks for good maintenance and to prevent bad stored food odors.

**WARNING!**

- ▶ Do not clean the appliance with hard brushes, wire brushes, detergent powder, petrol, amyl acetate, acetone and similar organic solutions, acid or alkaline solutions. Please clean with special refrigerator detergent to avoid damage.
- ▶ Do not spray or flush the appliance during cleaning.
- ▶ Do not use water spray or steam to clean the appliance.
- ▶ Do not clean the cold glass shelves with hot water. Sudden temperature change may cause the glass to break .
- ▶ Do not touch the inside surface of the freezer storage compartment, especially with wet hands, as your hands may freeze onto the surface.
- ▶ In case of heating check the condition of frozen goods.



- ▶ Always keep the door gasket clean.
- ▶ Clean the inside and housing of the appliance with a sponge dampened in warm water and neutral detergent.
- ▶ 1. Please scrub the interior and exterior of the refrigerator, including door sealing, door rack, glass shelves, boxes and so on, with a soft towel or sponge dipped in warm water (you may add neutral detergent into the warm water).
- ▶ 2. If there is liquid spilled, remove all the contaminated parts, directly rinse with the flow water, dry and place it back into the fridge.
- ▶ 3. If there is spilled cream (such as the cream, melting ice cream), please remove all the contaminated parts, put into the warm water with about 40 °C for some time, then rinse with the flow water, dry and place it back into the fridge.
- ▶ 4. In case some small part or component gets stuck inside of the fridge (between shelves or drawers), use small soft brush to release it. If you could not reach the part, please contact Haier service
- ▶ Rinse and dry with soft cloth.
- ▶ Do not clean any of the parts of the appliance in a dishwasher.
- ▶ Allow at least 5 minutes before restarting the appliance as frequent starting may damage the compressor.

**Defrosting**

The defrosting of the refrigerator and the freezer compartment are done automatically; no manual operation is needed.

### Replacing the LED-lamps



#### **WARNING!**

Do not replace the LED lamp yourself, it must only be replaced by either the manufacturer or the authorised service agent.

EN

The lamps adopts LED as its light source, featuring low energy consumption and long service life. If there is any abnormality, please contact the customer service . See CUSTOMER SERVICE.

Parameters of the lamps:

| Part                 | LED lamp   |
|----------------------|------------|
| Voltage in V         | 12V        |
| Max Power in W       | 1.5W       |
| LED Spec             | White-2835 |
| LED efficiency class | G          |
| Usage temperature    | -40~80°C   |

### Non-use for a longer period

If the appliance is not used for an extended period of time, and you will not use the Holiday-function for the refrigerator:

Take out the food.

Unplug the power cord.

Clean the appliance as described above.

Keep the doors open to prevent the creation of bad odours inside.



#### **NOTICE**

Turn the appliance off only if strictly necessary.

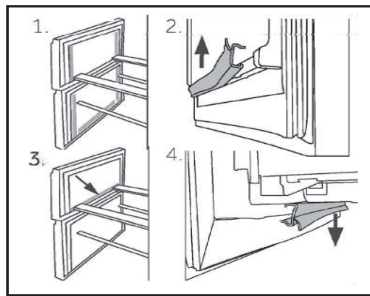
## Removable auxiliary door gaskets

There are six auxiliary door gaskets on the upper and lower freezer drawers.

1. Locate the five indicated door gaskets on the upper and lower freezer drawers.
2. Make sure the bent slices of the gaskets point inwards while attaching.
3. Locate the lower gasket of the upper drawer as indicated.
4. Make sure the bent slice of this gasket points downwards while attaching.

You get these gaskets as well as the revolving door/drawer gaskets via the customer service (see warranty card).

EN



## Moving the appliance

1. Remove all food and unplug the appliance.
2. Secure shelves and other moveable parts in the fridge and the freezer with adhesive tape.
3. Do not tilt the refrigerator more than 45° to avoid damaging the refrigerating system.



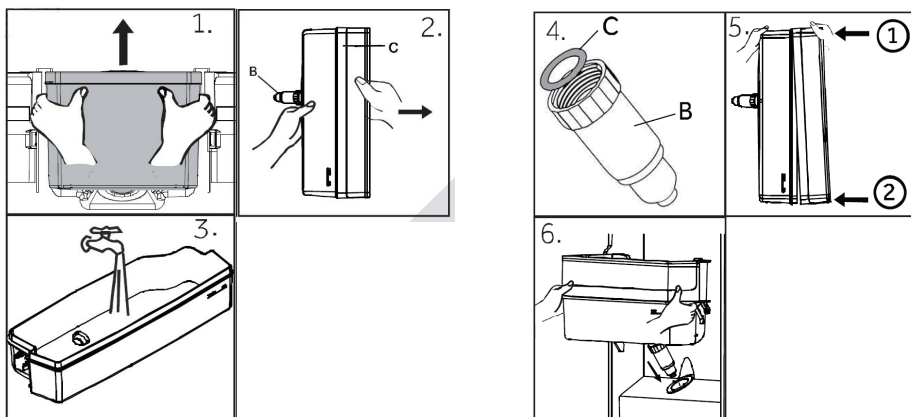
### WARNING!

- ▶ Do not lift the appliance by its handles.
- ▶ Never place the appliance horizontally on the ground.

### Cleaning the water tank

1. Take off the water tank out of the appliance.
2. Remove the cover (C) and unscrew the dispenser spout (B) gently.
3. Clean the water tank and the dispenser spout with warm running water and liquid dishwashing detergent. Make sure all soap is rinsed off.
4. Mount the dispenser spout (B) and take care that it is firmly screwed to the water tank and the white O-ring (C) is in position.
5. Press the cover to combine it with one side of the water tank and then the other side, check water tank and cover is assembled completely.
6. Replace the tank inside the appliance. Make sure the dispenser spout is correctly inserted into the hole of the door.

EN



### NOTICE

- ▶ If the water tank is not properly inserted, water can drip from the connection.
- ▶ Do not use excessive force when removing or installing the water tank, to avoid damaging the tank.

Many occurring problems could be solved by yourself without specific expertise. In case of a problem please check all shown possibilities and follow below instructions before you contact an after sales service. See CUSTOMER SERVICE.



## WARNING!

- ▶ Before maintenance, deactivate the appliance and disconnect the mains plug from the mains socket.
- ▶ Electrical equipment should be serviced only by qualified electrical experts, because improper repairs can cause considerable consequential damages.
- ▶ A damaged supply should only be replaced by the manufacturer, its service agent or similarly qualified persons in order to avoid a hazard.

EN

## Troubleshooting table

| Problem                                                              | Possible Cause                                                  | Possible Solution                                                                                                                              |
|----------------------------------------------------------------------|-----------------------------------------------------------------|------------------------------------------------------------------------------------------------------------------------------------------------|
| The compressor does not work.                                        | Mains plug is not connected in the main socket.                 | Connect the main plug.                                                                                                                         |
|                                                                      | The appliance is in the defrosting cycle.                       | This is normal for an automatic defrosting.                                                                                                    |
| The appliance runs frequently or runs for a too long period of time. | The indoor or outdoor temperature is too high.                  | In this case, it is normal for the appliance to run longer.                                                                                    |
|                                                                      | The appliance has been off power for a period of time.          | Normally, it takes 8 to 12 hours for the appliance to cool down completely.                                                                    |
|                                                                      | A door/drawer of the appliance is not tightly closed.           | Close the door/drawer and ensure the appliance is located on a levelled ground and there is no food or container holding the door.             |
|                                                                      | The door/drawer has been opened too frequently or for too long. | Do not open the door/drawer too frequently.                                                                                                    |
|                                                                      | The temperature setting for the freezer compartment is too low. | Set the temperature higher until a satisfactory fridge temperature is obtained. It takes 24 hours for the fridge temperature to become stable. |
|                                                                      | The door/drawer gasket is dirty, worn, cracked or mismatched.   | Clean the door/drawer gasket or replace them through the customer service.                                                                     |
|                                                                      | The required air circulation is not guaranteed.                 | Ensure adequate ventilation.                                                                                                                   |

## Troubleshooting

| Problem                                                                                         | Possible Cause                                                  | Possible Solution                                                           |
|-------------------------------------------------------------------------------------------------|-----------------------------------------------------------------|-----------------------------------------------------------------------------|
| The inside of the refrigerator is dirty and/or with smell.                                      | The inside of the refrigerator needs cleaning.                  | Clean the inside of the refrigerator.                                       |
|                                                                                                 | Food with strong odour is stored in the refrigerator.           | Wrap the food thoroughly.                                                   |
| It is not cold enough inside the appliance.                                                     | The temperature is set too high.                                | Reset the temperature                                                       |
|                                                                                                 | Too warm food have been stored.                                 | Always cool down food before storing them.                                  |
|                                                                                                 | Too much food has been stored at one time.                      | Always store small quantities of food.                                      |
|                                                                                                 | The foods are too close to each other.                          | Leave a gap between several foods allowing air flowing.                     |
|                                                                                                 | A door/drawer of the appliance is not tightly closed.           | Close the door/drawer.                                                      |
|                                                                                                 | The door/drawer has been opened too frequently or for too long. | Do not open the door/drawer too frequently.                                 |
| It is too cold inside the appliance.                                                            | The temperature is set too low.                                 | Reset the temperature.                                                      |
|                                                                                                 | The Super Freeze function is activated or is running too long.  | Switch off the Super Freeze function.                                       |
| Moisture forming on the inside of the refrigerator compartment.                                 | The climate is too warm and too damp.                           | Increase the temperature.                                                   |
|                                                                                                 | A door/drawer of the appliance is not tightly closed.           | Close the door/drawer.                                                      |
|                                                                                                 | The door/drawer has been opened too frequently or for too long. | Do not open the door/drawer too frequently.                                 |
|                                                                                                 | Food containers or liquids are left open.                       | Let hot foods cool to room temperature and cover foods and liquids.         |
| Moisture accumulates on the refrigerators outside surface or between the doors/door and drawer. | The climate is too warm and too damp.                           | This is normal in damp climate and will change when the humidity decreases. |
|                                                                                                 | The door/drawer is not closed tightly.                          | Ensure that he door/drawer is tightly shut.                                 |

EN



| Problem                                                         | Possible Cause                                                      | Possible Solution                                                                             |
|-----------------------------------------------------------------|---------------------------------------------------------------------|-----------------------------------------------------------------------------------------------|
| Strong ice and frost in the freezer compartment.                | The foods were not adequately packaged.                             | Always pack the foods well.                                                                   |
|                                                                 | A door/drawer of the appliance is not tightly closed.               | Close the door/drawer.                                                                        |
|                                                                 | The door/drawer has been opened too frequently or for too long.     | Do not open the door/drawer too frequently.                                                   |
|                                                                 | The door/drawer gasket is dirty, worn, cracked or mismatched.       | Clean the door/drawer gasket or replace them by new ones.                                     |
|                                                                 | Something on the inside prevents the door/drawer to close properly. | Reposition the shelves, door racks, or internal containers to allow the door/drawer to close. |
| The appliance makes abnormal sounds.                            | The appliance is not located on levelled ground.                    | Adjust the feet to level the appliance.                                                       |
|                                                                 | The appliance touches some object around it.                        | Remove objects around the appliance.                                                          |
| A slight sound is to be heard similar to that of flowing water. | This is normal.                                                     | /                                                                                             |
| You will hear an alarm beep.                                    | The fridge storage compartment door is open.                        | Close the door or silence the alarm manually.                                                 |
| You will hear a faint hum.                                      | The anti-condensation system is working.                            | This prevents condensation and is normal.                                                     |
| The interior lighting or cooling system does not work.          | Main plug is not connected in the main socket                       | Connect the main plug.                                                                        |
|                                                                 | The power supply is not intact.                                     | Check the electrical supply to the room. Call the local electricity company!                  |
|                                                                 | The LED-lamp is out of order.                                       | Please call the service for changing the lamp.                                                |
| The sides of the cabinet and door strip get warm.               | This is normal.                                                     | /                                                                                             |
| No water is coming out of the water dispenser spout             | Lock is not deactivated.                                            | Deactivate the lock                                                                           |

### Power interruption

- ▶ In the event of a power cut, food should remain safely cold for about 13 hours. Follow these tips during a prolonged power interruption, especially in summer.
- ▶ Open the door/drawer as few times as possible.
- ▶ Do not put additional food into the appliance during a power interruption.
- ▶ If prior notice of a power interruption is given and the interruption duration is longer than 13 hours, make some ice cubes and put them in a container on the top shelf of the refrigerator compartment.
- ▶ An inspection of the foods is required immediately after the interruption.
- ▶ As temperature in the refrigerator will rise during a power interruption or other failure, the storage period and edible quality of food will be reduced. Any food that defrosts should be either consumed, or cooked and refrozen (where suitable) soon afterwards in order to prevent health risks.

EN



### NOTICE

#### Memory function during power interruption

After the recovery of power, the appliance continues with the settings that were set before the power failure.

To contact the technical assistance, visit our website: <https://corporate.haier-europe.com/en/>

Under the section "website", choose the brand of your product and your country. You will be redirected to the specific website where you can find the telephone number and other ways to contact the technical assistance.

## Unpacking



### WARNING!

- ▶ The appliance is heavy. Always handle with at least two persons.
- ▶ Keep all packaging materials out of children's reach and dispose them in an environmental friendly way.
- ▶ Take the appliance out of the packaging.
- ▶ Remove all packaging materials.

EN

## Environmental conditions

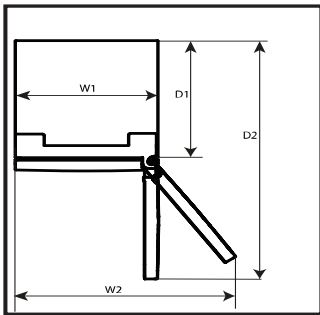
The room temperature should always be between 10°C and 43°C, since it can influence the temperature inside the appliance and its energy consumption. Do not install the appliance near other heat-emitting appliances (ovens, refrigerators) without isolation.

## Door reversibility

Before the appliance is permanently installed, check the correct position of the door hinge. If necessary, see section the DOOR REVERSIBILITY.

## Space requirement

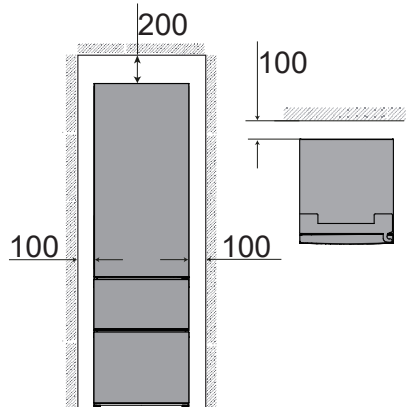
Required space when door is opened:



| Appliance width in mm |     | Appliance depth in mm |      |
|-----------------------|-----|-----------------------|------|
| W1                    | W2  | D1                    | D2   |
| 595                   | 918 | 600                   | 1220 |

## Ventilation cross-section

To achieve sufficient ventilation of the appliance for safety reasons, the information of the required ventilation cross sections must be observed.



### Door Reversibility

Before connecting the appliance to the power supply, you should check whether the door swing must be changed from right (as delivered) to left, if this is required by the installation location and the usability.



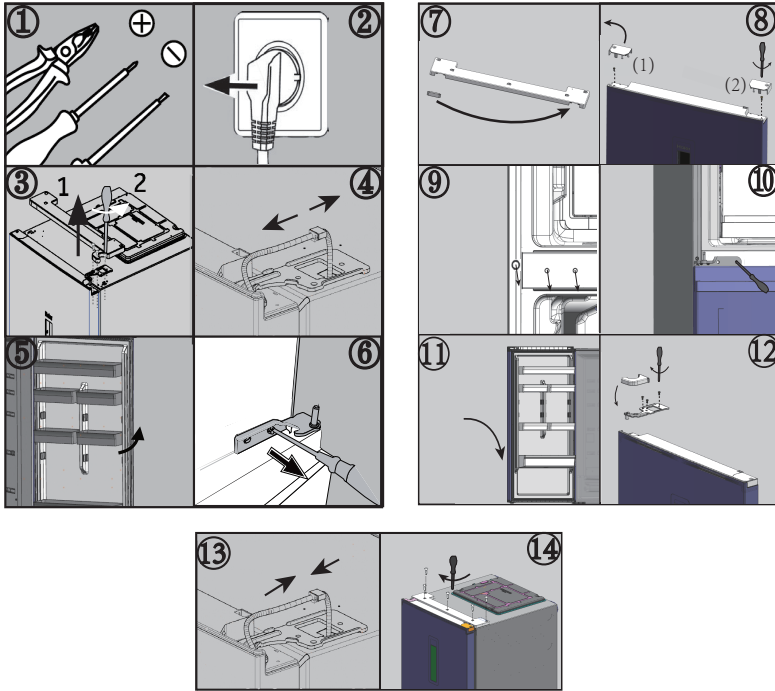
### WARNING!

- ▶ The appliance is heavy. You need two persons to carry out the door reversibility.
- ▶ Before any operation, first unplug the appliance from the mains
- ▶ Do not tilt the appliance more than 45°C to prevent damage of the cooling system.

### Assembly steps

1. Provide necessary tool.
2. Unplug the appliance.
3. Remove the upper hinge cover (1) and unscrew the upper hinge (three screws) on right side (2).
4. Unplug the connection cable
5. Lift the loose refrigerator door carefully off the lower hinge.
6. Remove the lower hinge of the upper door.
7. Remove the small cover of the front panel from left to right side.
8. Turn the door upside down and unscrew the cover (1). Take out the new cover (2) from the necessary bag and screw them to opposite side.
9. Change the positions of the blanking plugs and the screw on the side.
10. Screw the lower hinge to the left side of the appliance.
11. Lift the upper door carefully on the lower hinge. And be sure the pivot fits into the hinge barrel of the lower door.
12. Take out the new upper hinge and hinge cover from the accessory bag. Put the connection cable through the upper hinge and fix the upper hinge with three screws on left side of appliance. And the put the hinge cover over the hinge.
13. Plug in the connection cable.
14. Replace front panel and fix it with five screws.

After the change of the door, check if the door seals are located properly on the housing and all screws are tightened well.



EN

### Ambient temperatures

Extended temperate: this refrigerating appliance is intended to be used at ambient temperatures ranging from 10°C to 32°C

Temperate: this refrigerating appliance is intended to be used at ambient temperatures ranging from 16°C to 32°C;

Subtropical: this refrigerating appliance is intended to be used at ambient temperatures ranging from 16°C to 38°C;

Tropical: this refrigerating appliance is intended to be used at ambient temperatures ranging from 16°C to 43°C.

## Product fiche according to regulation EU No.2019/2016

Based on standard test results for 24 hours. Actual energy consumption will depend on how the appliance is used and where it is located

EN

| Trade mark                                                                                                      | Haier                | Haier                | Haier                |
|-----------------------------------------------------------------------------------------------------------------|----------------------|----------------------|----------------------|
| Model identifier                                                                                                | HTW5618DN*           | HTW5620DN*           | HTW5618DW*           |
| Category of the model                                                                                           | Refrigerator-freezer | Refrigerator-freezer | Refrigerator-freezer |
| Energy efficiency class                                                                                         | D                    | D                    | D                    |
| Annual energy consumption(KWh/year)                                                                             | 217                  | 226                  | 216                  |
| Volume fridge(L)                                                                                                | 201                  | 255                  | 198                  |
| Volume Freezing(L)                                                                                              | 125                  | 125                  | 125                  |
| Volume My Zone(L)                                                                                               | 34                   | 34                   | 34                   |
| star rating                                                                                                     | 4                    | 4                    | 4                    |
| Frost-free system                                                                                               | Yes                  | Yes                  | Yes                  |
| Power cut safe(h)/<br>Temperature rise time(h)                                                                  | 13                   | 13                   | 13                   |
| Freezing capacity(kg/24h)                                                                                       | 10                   | 10                   | 10                   |
| Climate class<br>This appliance is intended<br>to be used at an ambient<br>temperature between<br>10°C and 43°C | SN/N/ST/T            | SN/N/ST/T            | SN/N/ST/T            |
| Noise emission class and<br>airborne acoustical noise<br>emissions<br>(dB(A) re 1 pW)                           | 35                   | 35                   | 35                   |

## Technical data

|                                                                                                        |                      |                      |
|--------------------------------------------------------------------------------------------------------|----------------------|----------------------|
| Trade mark                                                                                             | Haier                | Haier                |
| Model identifier                                                                                       | HTW5618CN*           | HTW5620CN*           |
| Category of the model                                                                                  | Refrigerator-freezer | Refrigerator-freezer |
| Energy efficiency class                                                                                | C                    | C                    |
| Annual energy consumption(kWh/annum)                                                                   | 173                  | 181                  |
| Volume fridge(L)                                                                                       | 201                  | 255                  |
| Volume Freezing(L)                                                                                     | 125                  | 125                  |
| Volume My Zone(L)                                                                                      | 34                   | 34                   |
| star rating                                                                                            | 4                    | 4                    |
| Frost-free system                                                                                      | Yes                  | Yes                  |
| Power cut safe(h)/Temperature rise time(h)                                                             | 13                   | 13                   |
| Freezing capacity(kg/24h)                                                                              | 10                   | 10                   |
| Climate class<br>This appliance is intended to be used at an ambient temperature between 10°C and 43°C | SN/N/ST/T            | SN/N/ST/T            |
| Noise emission class and airborne acoustical noise emissions(dB(A) re 1 pW)                            | 35                   | 35                   |

EN

### Product fiche according to regulation EU No.2019/2016

Based on standard test results for 24 hours. Actual energy consumption will depend on how the appliance is used and where it is located

EN

| Trade mark                                                                                                      | Haier                | Haier                | Haier                |
|-----------------------------------------------------------------------------------------------------------------|----------------------|----------------------|----------------------|
| Model identifier                                                                                                | HDPW5618DN*          | HDPW5620DN*          | HDPW5618DW*          |
| Category of the model                                                                                           | Refrigerator-freezer | Refrigerator-freezer | Refrigerator-freezer |
| Energy efficiency class                                                                                         | D                    | D                    | D                    |
| Annual energy consumption(KWh/year)                                                                             | 214                  | 220                  | 214                  |
| Volume fridge(L)                                                                                                | 201                  | 255                  | 198                  |
| Volume Freezing(L)                                                                                              | 117                  | 117                  | 117                  |
| Volume My Zone(L)                                                                                               | 34                   | 34                   | 34                   |
| star rating                                                                                                     | 4                    | 4                    | 4                    |
| Frost-free system                                                                                               | Yes                  | Yes                  | Yes                  |
| Power cut safe(h)/<br>Temperature rise time(h)                                                                  | 13                   | 13                   | 13                   |
| Freezing capacity(kg/24h)                                                                                       | 10                   | 10                   | 10                   |
| Climate class<br>This appliance is intended<br>to be used at an ambient<br>temperature between<br>10°C and 43°C | SN/N/ST/T            | SN/N/ST/T            | SN/N/ST/T            |
| Noise emission class and<br>airborne acoustical noise<br>emissions<br>(dB(A) re 1 pW)                           | 35                   | 35                   | 35                   |



| Trade mark                                                                                                      | Haier                | Haier                | Haier                |
|-----------------------------------------------------------------------------------------------------------------|----------------------|----------------------|----------------------|
| Model identifier                                                                                                | HDPW5618CN*          | HDPW5620CN*          | HDPW5620AN*          |
| Category of the model                                                                                           | Refrigerator-freezer | Refrigerator-freezer | Refrigerator-freezer |
| Energy efficiency class                                                                                         | C                    | C                    | A                    |
| Annual energy consumption(KWh/year)                                                                             | 171                  | 176                  | 114                  |
| Volume fridge(L)                                                                                                | 201                  | 255                  | 255                  |
| Volume Freezing(L)                                                                                              | 117                  | 117                  | 120                  |
| Volume My Zone(L)                                                                                               | 34                   | 34                   | 34                   |
| star rating                                                                                                     | 4                    | 4                    | 4                    |
| Frost-free system                                                                                               | Yes                  | Yes                  | Yes                  |
| Power cut safe(h)/<br>Temperature rise time(h)                                                                  | 13                   | 13                   | 16                   |
| Freezing capacity(kg/24h)                                                                                       | 10                   | 10                   | 10                   |
| Climate class<br>This appliance is intended<br>to be used at an ambient<br>temperature between<br>10°C and 43°C | SN/N/ST/T            | SN/N/ST/T            | SN/N/ST/T            |
| Noise emission class and<br>airborne acoustical noise<br>emissions<br>(dB(A) re 1 pW)                           | 35                   | 35                   | 35                   |

## Additional technical data

EN

| Model identifier            | HTW5618D*                           | HTW5620DN*    | HTW5618CN*    | HTW5620CN*    |
|-----------------------------|-------------------------------------|---------------|---------------|---------------|
| Total volume(L)             | 360<br>(357 for<br>HTW5618DWMG(UK)) | 414           | 360           | 414           |
| Voltage/Frequency           | 220~240V/50Hz                       | 220~240V/50Hz | 220~240V/50Hz | 220~240V/50Hz |
| input current(A)            | 1.4A                                | 1.4A          | 1.4A          | 1.4A          |
| Main fuse(A)                | 16A                                 | 16A           | 15A           | 15A           |
| Coolant/amount              | R600a/53g                           | R600a/53g     | R600a/50g     | R600a/50g     |
| Dimensions<br>(W/D/H in mm) | 595*667*1850                        | 595*667*2050  | 595*667*1850  | 595*667*2050  |

| Model identifier            | HDPW5618D*   | HDPW5618DW*  | HDPW5620DN*  |
|-----------------------------|--------------|--------------|--------------|
| Total volume(L)             | 352          | 349          | 406          |
| Voltage/<br>Frequency       | 220~240/50Hz | 220~240/50Hz | 220~240/50Hz |
| input current(A)            | 1.4A         | 1.4A         | 1.4A         |
| Main fuse(A)                | 16A          | 16A          | 16A          |
| Coolant/amount              | R600a/53g    | R600a/53g    | R600a/53g    |
| Dimensions<br>(W/D/H in mm) | 595*667*1850 | 595*667*1850 | 595*667*2050 |



|                             |              |              |              |
|-----------------------------|--------------|--------------|--------------|
| Model identifier            | HDPW5618CN*  | HDPW5620CN*  | HDPW5620AN*  |
| Total volume(L)             | 352          | 406          | 409          |
| Voltage/<br>Frequency       | 220~240/50Hz | 220~240/50Hz | 220~240/50Hz |
| input current(A)            | 1.4A         | 1.4A         | 1.4A         |
| Main fuse(A)                | 15A          | 15A          | 15A          |
| Coolant/amount              | R600a/50g    | R600a/50g    | R600a/50g    |
| Dimensions<br>(W/D/H in mm) | 595*667*1850 | 595*667*2050 | 595*667*2050 |

EN

### Standards and directives

This product meets the requirements of all applicable EC directives with the corresponding harmonized standards, which provide for CE marking.

## Customer service

We recommend our Haier Customer Service and the use of original spare parts. If you have a problem with your appliance, please first check section TROUBLE-SHOOTING.

If you cannot find a solution there, please contact

- EN ▶ your local dealer or
- ▶ our European Call Service-Center (see listed phone numbers below) or
- ▶ the Service & Support area at [www.haier.com](http://www.haier.com) where you can activate the service claim and also find FAQs.

To contact our Service, ensure that you have the following data available. The information can be found on the rating plate.

Model \_\_\_\_\_

Serial No. \_\_\_\_\_

Also check the Warranty Card supplied with the product in case of warranty.

| European Call Service-Center |                    |                                                                                                            |
|------------------------------|--------------------|------------------------------------------------------------------------------------------------------------|
| Country*                     | Phone number       | Costs                                                                                                      |
| Haier Italy (IT)             | 199 100 912        |                                                                                                            |
| Haier Spain (ES)             | 902 509 123        |                                                                                                            |
| Haier Germany (DE)           | 0180 5 39 39<br>99 | <ul style="list-style-type: none"><li>• 14 Ct/Min Landline</li><li>• max 42 Ct/Min Mobile</li></ul>        |
| Haier Austria (AT)           | 0820 001 205       | <ul style="list-style-type: none"><li>• 14,53 Ct/Min Landline</li><li>• max 20 Ct/Min all others</li></ul> |
| Haier United Kingdom (UK)    | 0333 003 8122      |                                                                                                            |
| Haier France (FR)            | 0980 406 409       |                                                                                                            |

\* For other countries please refer to [www.haier.com](http://www.haier.com)

Haier Europe Trading S.r.l

Branch UK

Westgate House, Westgate, Ealing

London, W5 1YY

\*Duration of the guarantee of the refrigerating appliance:

Minimum guarantee is: 2 years for EU Countries, 3 years for Turkey, 1 year for UK, 1 year for Russia, 3 years for Sweden, 2 years for Serbia, 5 years for Norway, 1 year for Morocco, 6 months for Algeria, Tunisia no legal warranty required.

\*The period of spare parts for the repair of the appliance:

Thermostats, temperature sensors, printed circuit boards and light sources are available for a minimum period of seven years after placing the last unit of the model on the market.

Door handles, door hinges, trays and baskets for a minimum period of seven years and door gaskets for a minimum period of 10 year, after placing the last unit of the model on the market.

\*For further information about the product, please consult <https://eprel.ec.europa.eu/> or scan the QR on the energy label supplied with the appliance.

---

|                               |    |
|-------------------------------|----|
| Bezpečnostní informace .....  | 54 |
| Určené použití .....          | 60 |
| Popis výrobku .....           | 61 |
| Ovládací panel .....          | 67 |
| Používání .....               | 68 |
| Používání Wi-Fi .....         | 73 |
| Používání .....               | 74 |
| Tipy pro úsporu energie ..... | 77 |
| Vybavení .....                | 78 |
| Čištění a údržba .....        | 82 |
| Řešení problémů .....         | 86 |
| Instalace .....               | 90 |
| Technické údaje .....         | 93 |
| Zákaznický servis .....       | 99 |

**Děkujeme vám, že jste si koupili výrobek značky Haier.**

Před použitím spotřebiče si pozorně přečtěte tyto pokyny. Návod obsahuje důležité informace, které vám pomohou lépe porozumět spotřebiči a zajistit jeho bezpečnou a správnou instalaci, používání a údržbu.

Ušchovejte tuto příručku na praktickém místě, abyste do ní mohli kdykoli nahlédnout ohledně bezpečného a správného používání spotřebiče.

Pokud spotřebič prodáváte, darujete nebo jej zanecháte při stěhování, nezapomeňte předat také tento návod, aby se nový majitel mohl s jeho pomocí seznámit se spotřebičem a bezpečnostními upozorněními.



## **VAROVÁNÍ – Důležité bezpečnostní informace**



## **UPOZORNĚNÍ – Všeobecné informace a tipy**



## **Informace týkající se životního prostředí**



### **Likvidace**

Pomáhejte chránit životní prostředí a lidské zdraví. Vložte obalový materiál do vhodných kontejnerů pro recyklaci. Pomáhejte recyklovat odpadní elektrické a elektronické spotřebiče. Spotřebiče označené tímto symbolem nevyhazujte do domovního odpadu. Zašlete výrobek do místního recyklačního závodu, nebo se obraťte na váš obecní úřad.



## **VAROVÁNÍ!**

Nebezpečí poranění nebo udušení!

Chladiva a plyny vyžadují profesionální likvidaci. Zajistěte, aby se potrubí chladicího okruhu nepoškodilo, než bude náležitě zlikvidováno. Odpojte spotřebič od síťového napájení. Odstříhnete síťový kabel a zlikvidujte ho. Odstraňte police a přihrádky, stejně jako západku a těsnění dvířek, aby nedošlo k uzavření dětí a domácích zvířat uvnitř spotřebiče.



## Před prvním zapnutím spotřebiče si přečtěte následující rady týkající se bezpečnosti!:



### VAROVÁNÍ!

#### Před prvním použitím

- ▶ Ujistěte se, že při přepravě nedošlo k žádnému poškození.
- ▶ Odstraňte veškerý obalový materiál a uschovejte ho mimo dosah dětí.
- ▶ Před instalací spotřebiče počkejte alespoň dvě hodiny, aby byla zaručena plná účinnost okruhu chladiva.
- ▶ Se spotřebičem vždy manipulujte alespoň ve dvou osobách, protože je těžký.

#### Instalace

- ▶ Spotřebič by se měl umístit do dobře větrané místnosti. Nad spotřebičem a kolem něj zajistěte volný prostor alespoň 10 cm.
- ▶ Nikdy neumístujte spotřebič do vlhkého prostoru nebo na místo, kde by na něj mohla stříkat voda. Vodu a skvrny odstraňte a vysušte měkkou, čistou látkou.
- ▶ Neinstalujte spotřebič na přímé sluneční světlo nebo do blízkosti zdrojů tepla (např. sporáků nebo ohříváčů).
- ▶ Nainstalujte spotřebič na místo odpovídající jeho velikost a používání a vyrovnejte ho.
- ▶ Zajistěte, aby nic nezakrývalo větrací otvory ve spotřebiči nebo v konstrukci pro vestavění.
- ▶ Ujistěte se, že parametry elektrického napájení se shodují s údaji na výrobním štítku. V opačném případě kontaktujte elektrikáře.
- ▶ Spotřebič pracuje s napájením 220–240 VAC/50 Hz. Nenormální kolísání napětí může způsobit, že spotřebič se nespustí, nebo se poškodí regulátor teploty či kompresor, případně se může za chodu ozývat neobvyklý hluk. V takovém případě by se měl nainstalovat automatický regulátor.
- ▶ K napájení použijte samostatnou, snadno přístupnou uzemněnou zásuvku. Tento spotřebič musí být uzemněný.
- ▶ Pouze pro Spojené království: Napájecí kabel spotřebiče je vybaven trojpólovou zástrčkou (s uzemněním), která se zapojuje do standardní trojpólové zásuvky (s uzemněním). Nikdy neodřezávejte ani nedemontujte třetí kolík (uzemnění). Zástrčka by měla být přístupná i po instalaci spotřebiče.
- ▶ Nepoužívejte rozbočovací adaptéry ani prodlužovací kabely.
- ▶ Ujistěte se, že napájecí kabel není zachycen chladničkou. Nešlapejte na napájecí kabel.
- ▶ Nepoškod'te okruh chladiva.
- ▶ Neumístujte za spotřebič přenosné rozbočovací zásuvky ani prodlužovací kabely.



## VAROVÁNÍ!

### Denní používání

- ▶ Tento spotřebič mohou používat děti starší osmi let a osoby s omezenými fyzickými, smyslovými nebo duševními schopnostmi nebo osoby nezkušené a neznalé za předpokladu, že mají zajištěný dohled nebo byly poučeny o bezpečném používání spotřebiče a chápou související rizika.
- ▶ Děti si se spotřebičem nesmějí hrát.
- ▶ Děti ve věku od 3 do 8 let mohou chladničky plnit a vyprazdňovat, ale nesmějí je čistit ani instalovat.
- ▶ Děti mladší 3 let držte mimo dosah spotřebiče, pokud nejsou pod neustálým dohledem.
- ▶ Děti nesmějí provádět čištění a uživatelskou údržbu bez dozoru.
- ▶ Spotřebič musí být umístěn tak, aby byla zástrčka přístupná.
- ▶ Jestliže v blízkosti spotřebiče uniká chladný plyn nebo jiný hořlavý plyn, vypněte ventil unikajícího plynu, otevřete dveře a okna a neodpojujte zástrčku napájecího kabelu chladničky nebo jakéhokoli jiného spotřebiče od zásuvky.
- ▶ Upozorňujeme, že spotřebič je nastaven na provoz při určitém rozsahu teplot mezi 10 °C and 43 °C. Spotřebič nemusí řádně fungovat, pokud je po dlouhou dobu vystaven teplotám nad nebo pod indikovaným rozsahem.
- ▶ Nepokládejte na horní stranu chladničky/mrazničky nepotřebné předměty (těžké předměty, nádoby naplněné vodou), aby se předešlo zranění způsobenému pádem nebo elektrickým proudem v důsledku styku s vodou.
- ▶ Netahejte za police ve dvířkách. Dvířka by se mohla vychýlit, mohla by se vytáhnout police na láhve, nebo by se spotřebič mohl převrhnout.
- ▶ Otvírejte a zavírejte dvířka pouze pomocí madel. Mezera mezi dvířky a skříní je velmi úzká. Nevkládejte do těchto míst ruce, abyste si nepřiskřípli prsty. Dvířka chladničky/mrazničky otvírejte nebo zavírejte pouze v případě, že v dosahu jejich pohybu nestojí žádné děti.
- ▶ Do mrazničky nikdy neukládejte lahvé pivo nebo nápoje, tekutiny v láhvích nebo plechovkách (kromě vysokoprocentních lihovin), a zejména nápoje syčené oxidem uhličitým, protože během mrazení by praskly.
- ▶ V tomto spotřebiči neskladujte výbušné látky, jako jsou nádoby s aerosolem, v nichž se používá hořlavý hnací plyn.



## VAROVÁNÍ!

- ▶ Ve spotřebiči neskladujte léky, bakterie ani chemické látky. Tento spotřebič je určen k použití v domácnosti. Nedoporučuje se skladovat materiály, které vyžadují přesně stanovené teploty.
- ▶ Aby se předešlo kontaminaci potravin, dodržujte následující pokyny:
- ▶ - Otevírání dvířek na delší dobu může významně zvýšit teplotu v jednotlivých prostorech spotřebiče.
- ▶ - Pravidelně čistěte povrchy, které mohou přijít do styku s potravinami, a přístupné vypouštěcí systémy.
- ▶ - Pokud se nádržky na vodu nepoužívaly po dobu 48 h, vyčistěte je. Pokud nebyla vypuštěna voda po dobu 5 dnů, propláchněte vodní systém připojený k přívodu vody.
- ▶ - Syrové maso a ryby skladujte uvnitř chladničky ve vhodných nádobách, aby se nedostaly do styku s jinými potravinami, nebo z nich neodkapávala šťáva na jiné potraviny.
- ▶ - Prostory pro zmrazené potraviny se dvěma hvězdičkami jsou vhodné k ukládání mražených potravin, ukládání nebo výrobě zmrzliny a výrobě ledových kostek.
- ▶ - Prostory označené jednou, dvěma a třemi hvězdičkami nejsou vhodné k zmrazování čerstvých potravin.
- ▶ - Pokud je chladicí spotřebič ponechán delší dobu prázdný, vypněte ho, odmrzte, vyčistěte, vysušte a nechte otevřená dvířka, aby se zamezilo vzniku plísně uvnitř spotřebiče.
- ▶ Pokud dojde k oteplení v mrazničce, zkontrolujte stav potravin.
- ▶ Nenastavujte zbytečně nízkou teplotu ve vnitřním prostoru chladničky. Při vysokém nastavení může teplota klesnout do záporných hodnot. Pozor: Láhve mohou prasknout.
- ▶ Nedotýkejte se mražených potravin mokřýma rukama (noste rukavice). Zejména nejezte nanuky bezprostředně po vyjmutí z prostoru mrazničky. Hrozí nebezpečí přimrznutí nebo vzniku omrzlin. PRVNÍ POMOC: ihned vložte zasažené místo pod tekoucí studenou vodu. Neodtrhujte!
- ▶ Za provozu se nedotýkejte vnitřního povrchu úložného prostoru mrazničky, zejména ne mokřýma rukama, protože by mohly přimrznout k povrchu.
- ▶ V případě výpadku napájení nebo před čištěním odpojte spotřebič od napájení. Před opětovným spuštěním spotřebiče počkejte alespoň 7 minut, protože časté spuštění by mohlo poškodit kompresor.
- ▶ Uvnitř prostoru pro skladování potravin ve spotřebiči nepoužívejte elektrické spotřebiče, pokud se nejedná o spotřebiče doporučené výrobcem.



## VAROVÁNÍ!

### Údržba/čištění

- ▶ Jestliže jsou čištění a údržba prováděny dětmi, je nutné na ně dohlížet.
- ▶ Před zahájením jakékoli pravidelné údržby odpojte spotřebič od elektrického napájení. Před opětovným spuštěním spotřebiče počkejte alespoň 5 minut, protože časté spouštění by mohlo poškodit kompresor.
- ▶ Při odpojování spotřebiče od napájení držte zástrčku, nikoli kabel.
- ▶ Nečistěte spotřebič tvrdými kartáči, drátěnými kartáči, práškovým mycím prostředkem, benzínem, amylacetátem, acetonem, podobnými organickými roztoky a kyselými nebo zásaditými roztoky. K čištění použijte speciální čisticí prostředek na chladničky/mrazničky, aby se zamezilo poškození. Nakonec použijte roztok jedlé sody v teplé vodě – asi jednu polévkovou lžičku jedlé sody na litr vody. Důkladně opláchněte povrch vodou a otřete ho do sucha. Nepoužívejte práškové ani jiné abrazivní čisticí prostředky. Nemyjte odnímatelné součásti v myčce.
- ▶ Neseškrabávejte námrazu a led ostrými předměty. Nepoužívejte spreje, elektrické ohřívače jako fén na vlasy, parní čističe ani jiné zdroje tepla, aby nedošlo k poškození plastových součástí.
- ▶ K rozmrazování nepoužívejte mechanické nástroje ani jiné prostředky. Používejte pouze prostředky doporučené výrobcem.
- ▶ Pokud se poškodí napájecí kabel, výměnu musí provést výrobce, jeho servisní zástupce nebo osoba s podobnou kvalifikací, aby se vyloučilo riziko.
- ▶ Nepokoušejte se opravovat, rozebírat nebo upravovat spotřebič vlastními silami. Je-li nutná oprava, obraťte se na náš zákaznický servis.
- ▶ Pokud se poškodí osvětlovací žárovky, výměnu musí provést výrobce, jeho servisní zástupce nebo osoba s podobnou kvalifikací, aby se vyloučilo riziko.
- ▶ Alespoň jednou za rok odstraňte prach ze zadní strany spotřebiče, aby se předešlo nebezpečí požáru a snížila se spotřeba energie.
- ▶ Během čištění na spotřebič nestříkejte ani nelijte vodu.
- ▶ K čištění spotřebiče nepoužívejte vodní postřik ani proud vody.
- ▶ Studené skleněné police nebo skleněná dvířka nečistěte horkou vodou. Náhlá změna teploty může způsobit rozbití skla.
- ▶ Pokud spotřebič delší dobu nepoužíváte, nechte ho otevřený, aby uvnitř nevznikl nepříjemný zápach.

## Informace o plynném chladivu



### VAROVÁNÍ!

Spotřebič obsahuje hořlavé chladivo ISOBUTAN (R600a). Ujistěte se, že během přepravy nebo instalace nedošlo k poškození okruhu chladiva. Unikající chladivo by mohlo způsobit zranění očí, nebo by se mohlo vznítit. Pokud dojde k poškození, nepřibližujte se s otevřeným plamenem, důkladně vyvětrejte místnost a nezapojte ani neodpojte napájecí kabely tohoto či jiných spotřebičů. Informujte zákaznický servis.

V případě zasažení očí chladivem důkladně vypláchněte oči pod tekoucí vodou a ihned zavolejte očnímu lékaři.

Systém chlazení je pod vysokým tlakem. Nemanipulujte s ním. Vzhledem k používání hořlavých chladiv je nutné přísně dodržovat pokyny pro instalaci, manipulaci a údržbu spotřebiče a pokud chcete spotřebič zlikvidovat, obraťte se na odborného pracovníka nebo náš prodejní servis.

V případě chladniček s funkcí ledové vody věnujte pozornost následujícímu varování:

- U spotřebičů, které nejsou určeny k připojení k přívodu vody: plňte pouze přenosnou vodou.
- U spotřebičů určených k připojení k vodovodu: připojte pouze k přívodu pitné vody.
- Chcete-li vyčistit vodní systém, prostudujte si uživatelskou příručku. Máte-li nějaké otázky, obraťte se na prodejní servis.

### Určené použití

Tento spotřebič je určen k chlazení a mrazení potravin. Je určen výhradně k používání v domácnostech a podobných oblastech, jako jsou kuchyně pro personál v obchodech, kancelářích a na dalších pracovištích, chalupy a hotely, motely a další obytné objekty, kde je používají zákazníci, stejně jako ubytovací zařízení typu penzionu se snídaní a cateringové služby. Není určen k používání v komerčním nebo průmyslovém prostředí. Na spotřebiči neprovádějte žádné změny nebo úpravy. Používání k jinému než určenému účelu může představovat nebezpečí a vést ke ztrátě platnosti záruky.

### Normy a směrnice

Tento výrobek splňuje požadavky všech platných směrnic ES s odpovídajícími harmonizovanými normami a normami platnými ve Spojeném Království, které stanoví používání označení CE a UKCA.

### Příslušenství

Zkontrolujte příslušenství a literaturu podle tohoto seznamu:

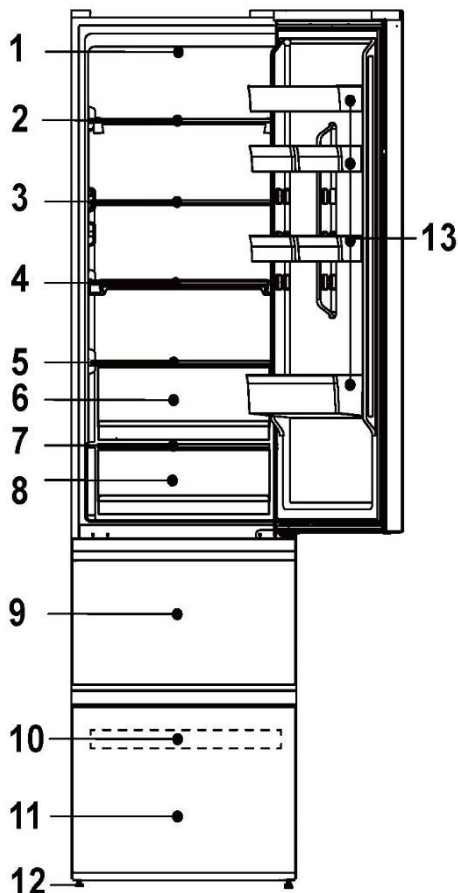


### POZNÁMKA

Vzhledem k technickým změnám a různým modelům nemusí některé obrázky v této příručce přesně zobrazovat váš model.

## **i** POZNÁMKA

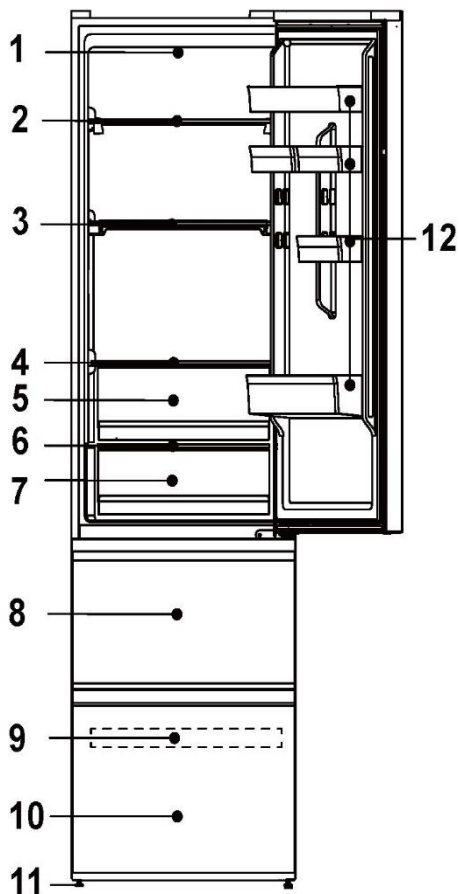
Vzhledem k technickým změnám a různým modelům nemusí některé obrázky v této příručce přesně zobrazovat model. (HTW5620\*N\*)



- 1-Lampa LED chladničky
- 2-Příhrádka na víno
- 3-Skleněná police
- 4-Skládací police
- 5-Kryt boxu Humidity Zone
- 6-Box Humidity Zone
- 7-Kryt boxu My Zone
- 8-Box My Zone
- 9-Horní zásuvka mrazničky
- 10-Příhrádka mrazničky
- 11-Dolní zásuvka mrazničky
- 12-Nastavitelné nohy
- 13-Police na dveřích

## **i** POZNÁMKA

Vzhledem k technickým změnám a různým modelům nemusí některé obrázky v této příručce přesně zobrazovat model.(HTW5618\*N\*)

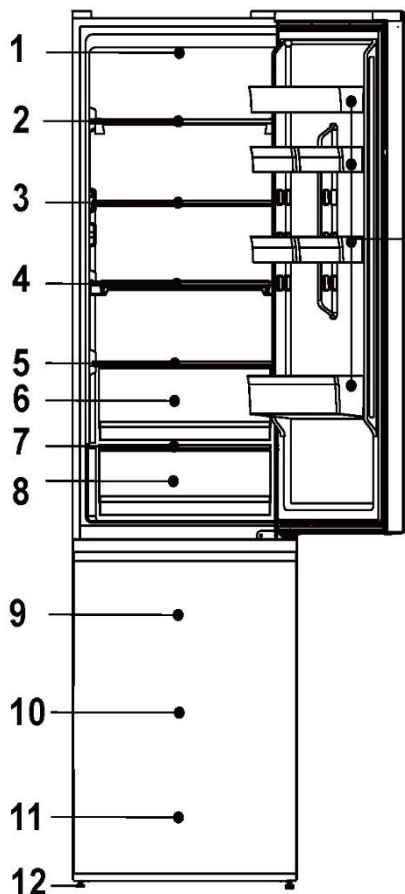


- 1-Lampa LED chladničky
- 2-Příhrádka na víno
- 3-Skládací police
- 4-Kryt boxu Humidity Zone
- 5-Box Humidity Zone
- 6-Kryt boxu My Zone
- 7-Box My Zone
- 8-Horní zásuvka mrazničky
- 9-Příhrádka mrazničky
- 10-Dolní zásuvka mrazničky
- 11-Nastavitelné nohy
- 12-Police na dveřích



## **i** POZNÁMKA

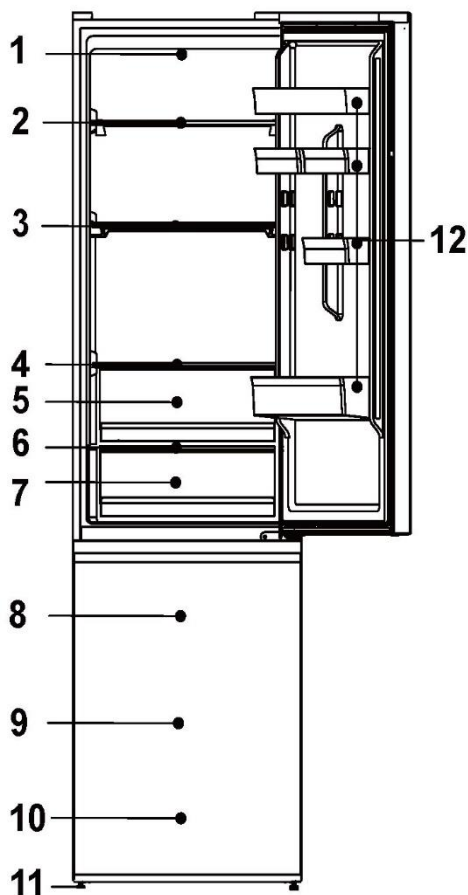
Vzhledem k technickým změnám a různým modelům nemusí některé obrázky v této příručce přesně zobrazovat model.(HDPW5620\*N\*)



- 1-Lampa LED chladničky
- 2-Příhrádka na víno
- 3-Skleněná police
- 4-Skládací police
- 5-Kryt boxu Humidity Zone
- 6-Box Humidity Zone
- 7-Kryt boxu My Zone
- 8-Box My Zone
- 9-Horní zásuvka mrazničky
- 10-Střední zásuvka mrazničky
- 11-Dolní zásuvka mrazničky
- 12-Nastavitelné nohy
- 13-Police na dveřích

## **i** POZNÁMKA

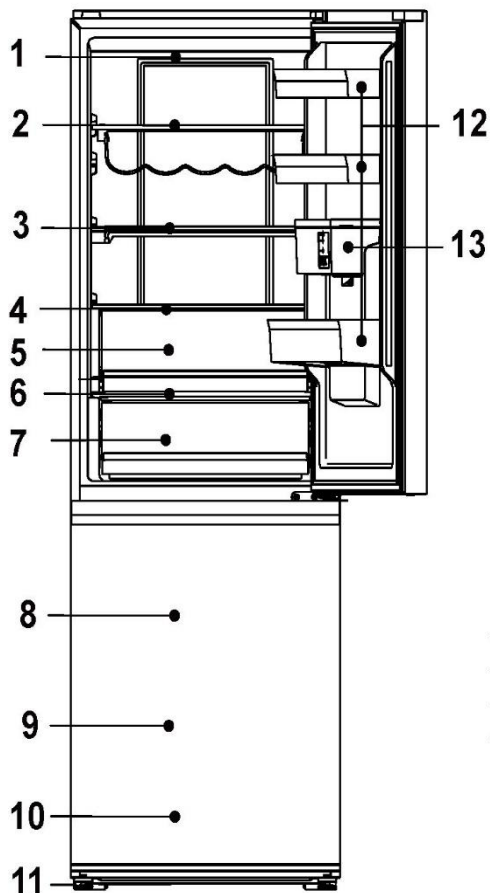
Vzhledem k technickým změnám a různým modelům nemusí některé obrázky v této příručce přesně zobrazovat model.(HDPW5618\*N\*)



- 1-Lampa LED chladničky
- 2-Příhrádka na víno
- 3-Skládací police
- 4-Kryt boxu Humidity Zone
- 5-Box Humidity Zone
- 6-Kryt boxu My Zone
- 7-Box My Zone
- 8-Horní zásuvka mrazničky
- 9-Střední zásuvka mrazničky
- 10-Dolní zásuvka mrazničky
- 11-Nastavitelné nohy
- 12-Police na dveřích

## **i** POZNÁMKA

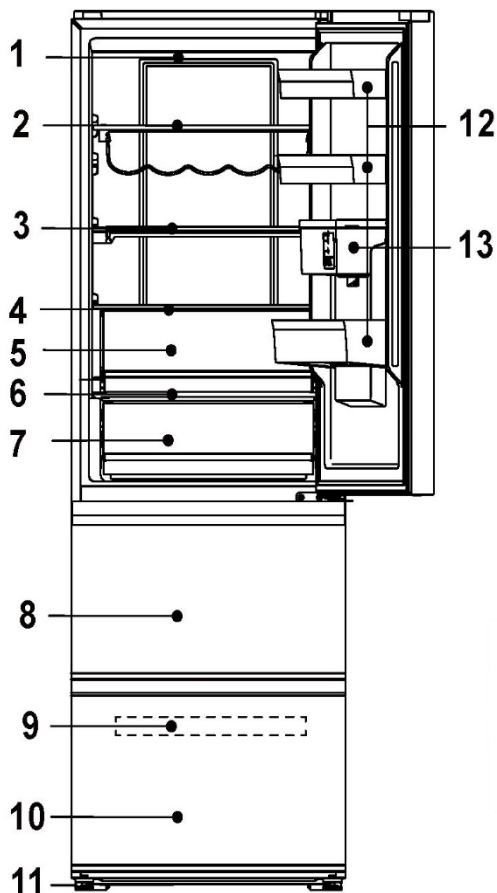
Vzhledem k technickým změnám a různým modelům nemusí některé obrázky v této příručce přesně zobrazovat model.(HDPW5618DW\*)



- 1-Lampa LED chladničky
- 2-Příhrádka na víno
- 3-Skládací police
- 4-Kryt boxu Humidity Zone
- 5-Box Humidity Zone
- 6-Kryt boxu My Zone
- 7-Box My Zone
- 8-Horní zásuvka mrazničky
- 9-Střední zásuvka mrazničky
- 10-Dolní zásuvka mrazničky
- 11-Nastavitelné nohy
- 12-Police na dveřích
- 13-Zásobník na vodu

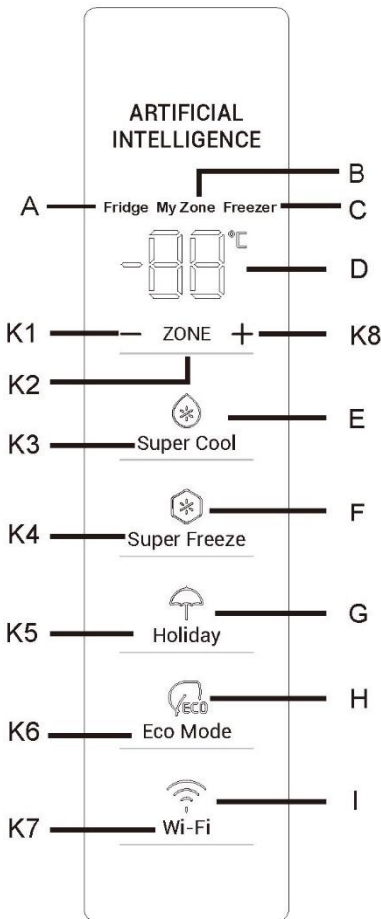
## **i** POZNÁMKA

Vzhledem k technickým změnám a různým modelům nemusí některé obrázky v této příručce přesně zobrazovat model.(HTW5618DW\*)



- 1-Lampa LED chladničky
- 2-Příhrádka na víno
- 3-Skládací police
- 4-Kryt boxu Humidity Zone
- 5-Box Humidity Zone
- 6-Kryt boxu My Zone
- 7-Box My Zone
- 8-Horní zásuvka mrazničky
- 9-Příhrádka mrazničky
- 10-Dolní zásuvka mrazničky
- 11-Nastavitelné nohy
- 12-Police na dveřích
- 13-Zásobník na vodu

## Ovládací panel



Tlačítka:

A Prostor chladničky

B Prostor My Zone

C Prostor mrazničky

D Zobrazení teploty

E Funkce Super Cool

F Funkce Super Freeze

G Funkce Holiday

H Funkce Eco Mode

I Funkce Wi-Fi

Indikátory:

K1 Snížení teploty

K2 Výběr chladničky, My Zone a mrazničky

K3 Vypínač funkce Super Cool

K4 Vypínač funkce Super Freeze

K5 Vypínač funkce Holiday

K6 Vypínač funkce Eco Mode

K7 Zapnutí/vypnutí funkce Wi-Fi

K8 Zvýšení teploty

## Před prvním použitím

Odstraňte všechny obalové materiály, uchovávejte je mimo dosah dětí a zlikvidujte je způsobem šetrným k životnímu prostředí.

Vnitřek a vnějšek spotřebiče, jakož i vnitřek a příslušenství vyčistěte vodou a jemným čisticím prostředkem a dobře je osušte měkkým hadříkem.

Po vyrovnaní a vyčištění počkejte alespoň 2 hodiny, než spotřebič připojíte k napájení. Viz část INSTALACE.

Než naplníte prostory potravinami, nejprve je nechte ochladit na vysoké nastavení. Funkce Super Freeze pomáhá rychle zchladit mrazicí prostor

### Dotyková tlačítka

Na ovládacím panelu jsou dotyková tlačítka, která reagují již na lehký dotyk prstem.

### Zapínání/vypínání spotřebiče

Spotřebič se spustí ihned po připojení k napájení.

Při prvním zapnutí spotřebiče se na ukazatelích teploty „D“ zobrazí přednastavené hodnoty (viz níže uvedené oznámení).

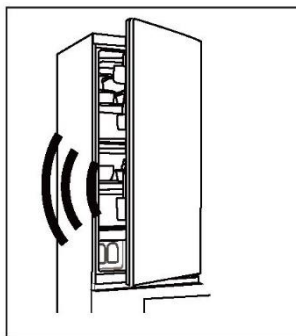
### POZNÁMKA

Spotřebič je přednastaven na doporučené teploty 5 °C (chladnička) a -18 °C (mraznička). Teplota My Zone je přednastavena na přibližně 2 °C. Toto jsou doporučená nastavení. V případě potřeby můžete tyto teploty změnit ručně.

### Alarm otevřených dveří

Pokud jsou dveře chladničky otevřené déle než 3 minuty, zazní alarm otevření dveří.

Alarm lze ukončit zavřením dvířek. Pokud jsou dveře otevřené déle než 7 minut, světlo uvnitř chladničky a osvětlení ovládacího panelu se automaticky vypnou.



Nastavení teploty

Vnitřní teploty jsou ovlivňovány následujícími faktory:

Okolní teplota

Frekvence otevírání dvířek

Množství uskladněných potravin

Instalace spotřebiče

## Nastavení teploty v chladničce

1. Stisknutím tlačítka „K2“ (volba Chladnička/(My Zone)/Mraznička) zvolte prostor Chladnička. Ikony „A“ (prostor chladničky) a „D“ (ukazatel teploty) jasně svítí.
2. Stisknutím tlačítka „K1/K8“ nastavte teplotu chladničky.

Teplota se zvyšuje po 1 °C, od minima 2 °C do maxima 8 °C. Optimální teplota v chladničce je 5 °C. Nižší teploty znamenají zbytečnou spotřebu energie.

3. Přibližně po 5 s se ikona teploty „D“ (zobrazení teploty) trvale rozsvítí a nastavení je potvrzeno.



### POZNÁMKA

Aplikace umožňuje přizpůsobit teplotu v prostoru chladničky i mrazničky. Teplotu lze nastavovat s citlivostí 1 °C.

## Nastavení teploty v mrazničce

1. Stisknutím dotykového tlačítka „K2“ (volba Chladnička/(My Zone)/Mraznička) zvolte prostor mrazničky °C, ikona „C“ (Prostor mrazničky) a „D“ (ukazatel teploty) jasně svítí.
2. Stisknutím dotykového tlačítka „K1/K8“ nastavte teplotu mrazničky.

Teplota se zvyšuje po 1 °C, od minima -24 °C do maxima -16 °C. Optimální teplota v chladničce je -18 °C. Nižší teploty znamenají zbytečnou spotřebu energie.

3. Přibližně po 5 s se indikátor teploty „D“ (zobrazení teploty) trvale rozsvítí a nastavení je potvrzeno.



### POZNÁMKA

Pokud po nastavení teploty stisknete do 5 sekund další tlačítka, okamžitě se potvrdí aktuální nastavení teploty. Pokud do 5 sekund neprovedete žádnou operaci s tlačítkem, zobrazí se aktuální nastavená teplota, dokud obrazovka nezhasne.

### Nastavení teploty v My Zone

Prostor chladničky je vybaven boxem My Zone. Podle požadavků na skladování potravin lze zvolit nejvhodnější teplotu pro dosažení optimální výživové hodnoty potravin.

1. Stisknutím tlačítka „K2“ (volba Chladnička/(My Zone)/Mraznička) zvolte prostor My Zone. Ikony „B“ (prostor My Zone) a „D“ (ukazatel teploty) jasně svítí. Lze ho také vybrat z aplikace.
2. Stisknutím dotykového tlačítka „K1/K8“ nastavte teplotu My Zone. Teplotu lze nastavit také v aplikaci.

Teplota se zvyšuje po 1 °C, od minima 0 °C do maxima 5 °C.

3. Přibližně po 5 s se ikona teploty „D“ (zobrazení teploty) trvale rozsvítí a nastavení je potvrzeno.



### POZNÁMKA

1. Teplotu v prostoru My Zone můžete nastavit na střední úroveň (2 °C), abyste potraviny uchovali v optimálním prostředí.
2. Vzhledem k rozdílnému obsahu vody v masě se některé druhy masa s vyšší vlhkostí zmrazují při teplotách nižších než 0 °C, proto by se mělo „čerstvě nakrájené“ maso skladovat v boxu My Zone s minimální teplotou 0 °C.
3. V boxu My Zone by se nemělo uchovávat ovoce citlivé na chlad, například ananas, avokádo, banány, grapefruity, zelenina jako brambory, lilky, fazole, okurky, cukety a rajčata a sýry.
4. Pokud je teplota v chladničce nižší než teplota My Zone, je normální, že teplota My Zone je nižší než nastavená teplota My Zone.

### Funkce Super-Cool

1. Doporučuje se zapínat funkci Super Cool v případě, že bylo uloženo velké množství potravin (například po nákupu). Funkce Super Cool urychluje chlazení čerstvých potravin a chrání již uložené zboží před nežádoucím ohřátím.
2. Stiskněte tlačítko „K3“ nebo jej zapněte z aplikace, ikona „E“ (funkce Super Cool) se rozsvítí a funkce se aktivuje.



## POZNÁMKA

1. Spotřebič ukončí funkci „Super Cool“ po vstupu do funkce „Super Cool“ na 6 hodin nebo po stisknutí tlačítka „K3“, když ikona „E“ (funkce Super Cool) jasně svítí, nebo ji vypnete z aplikace.
2. Pokud se ve stavu Super Cool nastavuje teplota v prostoru chladničky, bliká ikona „E“ (funkce Super Cool), která signalizuje, že tuto operaci nelze provést.

## Funkce Super-Frz

1. Čerstvé potraviny by se měly co nejdříve úplně zmrazit. Tím se zachová nejlepší výživová hodnota, vzhled a chuť. Funkce Super Freeze urychluje zmrazování čerstvých potravin a chrání již uložené zboží před nežádoucím ohřátím. Pokud potřebujete najednou zmrazit velké množství potravin, doporučuje se nastavit funkci Super Freeze 24 h před použitím mrazicího prostoru.
2. Stiskněte tlačítko „K4“ (nastavení funkce Super Freeze) nebo ji zapnete z aplikace, ikona „F“ (funkce Super Freeze) se rozsvítí a funkce se aktivuje.

## POZNÁMKA

1. Spotřebič ukončí funkci „Super Freeze“ po vstupu do funkce „Super Freeze“ na 50 hodin nebo po stisknutí tlačítka „K4“, když ikona „F“ (funkce Super Freeze) jasně svítí, nebo ji vypnete z aplikace.
2. Pokud je ve stavu Super Freeze nastavena teplota prostoru mrazničky, bliká ikona „F“ (funkce Super Freeze), která signalizuje, že tuto operaci nelze provést.

## Funkce Holiday

Funkci Holiday lze používat ke snížení spotřeby, když se spotřebič nepoužívá pravidelně. Když je funkce zapnutá, chladnička se zapne, zatímco mraznička bude pracovat normálně. Funkce trvale nastaví teplotu v chladničce na 17 °C.

To umožňuje udržet dveře prázdné chladničky zavřené, aniž by vznikl zápach nebo plíseň – během delší nepřítomnosti (např. během dovolené). Mrazicí prostor je volný pro vaše nastavení.

1. Stiskněte tlačítko „K5“ (zapnutí/vypnutí funkce Holiday) nebo vyberte funkci v aplikaci, ikona „G“ (funkce Holiday) se rozsvítí a funkce se aktivuje.
2. Funkci lze deaktivovat opětovným stisknutím tlačítka „K5“ (zapnutí/vypnutí funkce Holiday) nebo nastavením teploty v chladničce či jiným nastavením nebo vypnutím z aplikace.

### POZNÁMKA

1. Během funkce Holiday by v prostoru chladničky neměly být uloženy žádné potraviny. Teplota +17 °C je příliš vysoká pro ukládání potravin.
2. Když je zapnutá funkce Holiday, ikona My Zone zůstává vypnutá a funkce chladničky je uzamčená. Pokud se nastavuje teplota v prostoru chladničky, bliká ikona „G“ (funkce Holiday), která signalizuje, že tuto operaci nelze provést.

CS

### Funkce Eco Mode

Režim Eco Mode lze aktivovat za účelem optimalizace výkonu spotřebiče při zachování nejlepších podmínek uchovávání potravin. Jestliže nemáte žádné zvláštní požadavky, doporučujeme používat režim funkce Eco Mode.

V tomto režimu je teplota chladničky 5 °C, teplota mrazničky -18 °C.


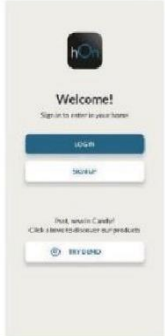
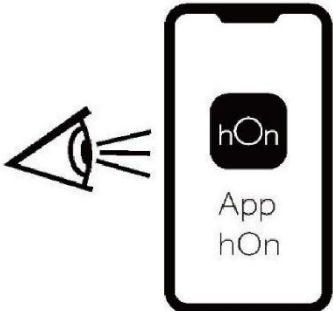
1. Stisknete tlačítko „K6“ (zapnutí/vypnutí funkce Eco Mode) nebo vyberte funkci v aplikaci.
2. Ikona „H“ (funkce Eco Mode) svítí a funkce je aktivována.

Opakováním výše uvedených kroků nebo výběrem jiné funkce či vypnutím z aplikace lze tuto funkci opět vypnout. Obnoví se dříve nastavené úrovně chlazení.

### POZNÁMKA

Pokud se během funkce Eco Mode upravuje teplota chladicího/mrazicího prostoru, bliká ikona „H“ (funkce Eco Mode), která signalizuje, že tuto operaci nelze provést.

Krok 1 Stáhněte si aplikaci hOn z obchodu s aplikacemi.

|                                                                                                                                                                          |                                                                                                                                              |
|--------------------------------------------------------------------------------------------------------------------------------------------------------------------------|----------------------------------------------------------------------------------------------------------------------------------------------|
|                                                                                        |                                                                                                                                              |
| <p>Krok 2 Vytvořte si účet v aplikaci hOn, nebo se přihlaste, pokud již máte účet.</p>  | <p>Krok 3 Řiďte se pokyny pro párování v aplikaci hOn.</p>  |

CS

### Funkce Wi-Fi

1. Nakonfigurujte síť Wi-Fi podle pokynů v aplikaci.
2. Jakmile je síť Wi-Fi nakonfigurována a naváže se spojení, rozsvítí se ikona „I“ a bude nepřerušovaně svítit.
3. Pokud již byla Wi-Fi nakonfigurována, po zapnutí Wi-Fi se automaticky znovu připojí podle informací o konfiguraci.

### POZNÁMKA

1. Chcete-li vypnout Wi-Fi, stiskněte tlačítko Wi-Fi „K7“ a ikona Wi-Fi „I“ se vypne.
2. Chcete-li zapnout Wi-Fi a zahájit konfiguraci, stiskněte tlačítko Wi-Fi „K7“ a ikona Wi-Fi „I“ začne pomalu blikat. Pokud chcete konfigurovat funkci Wi-Fi, stiskněte na 3 sekundy tlačítko „K7“, ikona Wi-Fi rychle zabliká a přejde do konfiguračního režimu. Pokud chcete funkci Wi-Fi vypnout, stiskněte jednou tlačítko „K7“. Výše uvedené kroky se opakují.
3. Pokud byl produkt nakonfigurován a funkce Wi-Fi byla vypnuta, chladnička po opětovném připojení k napájení do režimu konfigurace nevstoupí.

### POZNÁMKA

1. Tento výrobek není určen pro komerční použití.
2. Maximální výstupní výkon RF: 2,4 GHz Wi-Fi: 16 dBm;
3. Bluetooth LE: 5 dBm; Bluetooth(BR/EDR): 10 dBm.
4. Frekvenční pásmo provozu: 2400–2483,5 MHz.

### Ukládání do prostoru chladničky

Udržujte teplotu v chladničce pod 5 °C.

Horké potraviny musí před uložením do spotřebiče vychladnout na pokojovou teplotu.

Potraviny uchovávané v chladničce by se měly před uložením omýt a osušit.

Potraviny určené k uložení by měly být náležitě uzavřené, aby se zamezilo změnám vůně nebo chuti.

Neskladujte nadměrné množství potravin. Mezi potravinami nechávejte volné místo, aby kolem nich mohl proudit studený vzduch; pak bude chlazení lepší a rovnoměrnější.

Potraviny konzumované každý den by se měly ukládat na přední straně police.

Mezi potravinami a vnitřními stěnami nechávejte mezery, kterými může proudit vzduch. V žádném případě neskladujte potraviny u zadní stěny: potraviny by mohly u zadní stěny zmrznout. Zamezte přímému kontaktu potravin (zejména olejnatých nebo kyselých) s vnitřním povrchem, protože oleje/kyseliny by mohly způsobit jeho korozi. Kdykoli objevíte olejnaté/kyselé nečistoty, odstraňte je.

Zmrazené potraviny lze jemně rozmrazit v prostoru chladničky. Tím se šetří energie.

Proces zrání ovoce a zeleniny, jako jsou cukety, melouny, papája, banány, ananasy atd., může být v chladničce urychlen, proto se nedoporučuje je v chladničce skladovat, avšak zrání výrazně zeleného ovoce lze po určité době podpořit. Také cibule, česnek, zázvor a další kořenová zelenina by se měly skladovat při pokojové teplotě.

Nepříjemný zápach uvnitř chladničky může znamenat, že se něco zkazilo a bude nutné čištění. Viz Čištění a údržba.

Různé potraviny by se měly ukládat na různá místa podle jejich vlastností.

### Ukládání do prostoru mrazničky

Udržujte teplotu mrazničky na -18 °C.

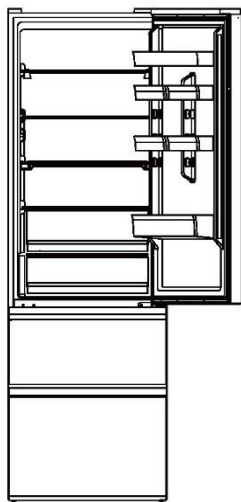
24 hodin před zmrazením zapněte funkci Super-Freeze. Pro malé množství jídla stačí 4–6 hodin.

Horké potraviny musí před uložením do prostoru mrazničky vychladnout na pokojovou teplotu.

Potraviny nakrájené na malé porce zmrznou rychleji a snáze se rozmrazují a připravují. Doporučená hmotnost každé porce je méně než 2,5 kg

Potraviny je lepší před vložením do mrazničky zabalit. Vnější strana obalu musí být suchá, aby se sáčky neslepily. Obalové materiály by měly být bez zápachu, vzduchotěsné, nejedovaté a netoxické.

Na obal zaznamenejte datum zmrazení, časový limit a název potravin podle příslušných údajů pro různé potraviny, abyste předešli překročení doby skladovatelnosti.



## VAROVÁNÍ!

- ▶ Kyseliny, zásady, sůl apod. by mohly způsobit korozi vnitřního povrchu mrazničky.
- ▶ Nepokládejte potraviny obsahující tyto látky (např. mořské ryby) přímo na vnitřní povrch. Slaná voda v mrazničce by se měla ihned odstranit.
- ▶ Nepřekračujte dobu skladovatelnosti potravin doporučenou výrobcem. Vyjímejte z mrazničky pouze potřebné množství potravin.
- ▶ Rozmrazené potraviny rychle zkonzumujte. Rozmrazené potraviny již nelze znovu zmrazit, dokud se nejprve nepřipraví, jinak by se zhoršila jejich požitelnost.
- ▶ Neukládejte do prostoru mrazničky nadměrné množství čerstvých potravin. Věnujte pozornost kapacitě mrazničky - viz TECHNICKÉ ÚDAJE nebo údaje na typovém štítku.
- ▶ Potraviny lze skladovat v mrazničce při teplotě nejméně  $-18\text{ }^{\circ}\text{C}$  po dobu 2 až 12 měsíců v závislosti na jejich vlastnostech (např. maso: 3–12 měsíců, zelenina: 6–12 měsíců)
- ▶ Při zmrazování čerstvých potravin zamezte jejich kontaktu s již zmrazenými potravinami. Hrozí nebezpečí rozmrazení!

### **Při ukládání potravin prodávaných ve zmrazeném stavu se řiďte těmito pokyny:**

Vždy dodržujte pokyny výrobce ohledně doby skladovatelnosti potravin. Tyto pokyny nepřekračujte!

Snažte se co nejvíce zkrátit dobu mezi nákupem a uložením, aby zůstala zachována kvalita potravin.

Kupujte mražené potraviny, které byly skladovány při teplotě  $-18\text{ }^{\circ}\text{C}$  nebo nižší.

Nekupujte potraviny, které mají na obalu led nebo námrazu. Znamená to, že tyto výrobky mohly být v nějakém okamžiku částečně rozmrazené a znovu zmrazené. Vzrůst teploty ovlivňuje kvalitu potravin.

### Dávkovač vody

Z dávkovače vody lze odebírat studenou pitnou vodu.

Zásobník na vodu by se měl před prvním použitím vyčistit (viz ČIŠTĚNÍ A ÚDRŽBA).

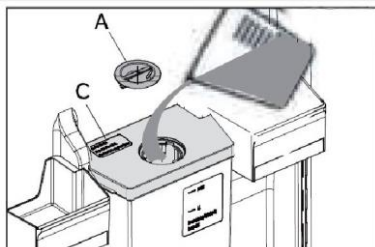
### Plnění zásobníku na vodu



## VAROVÁNÍ!

► Používejte pouze pitnou vodu.

1. Ujistěte se, že je zásobník na vodu správně vložený (viz VYBAVENÍ).
2. Otočte a zvedněte kulaté víko (A) a nalijte do nádržky na vodu čerstvou pitnou vodu (obr. 5.10.1).
3. Naplňte ho pouze po značku (2.5 l); jinak by mohl při otvírání a zavírání dveří přetékat.
4. Zavřete okrouhlé víko (A) tak, aby zaklaplo na místo.



## POZNÁMKA

1. Spotřebič ukončí funkci „Super Cool“ po vstupu do funkce „Super Cool“ na 6 hodin nebo po stisknutí tlačítka „K3“, když ikona „E“ (funkce Super Cool) jasně svítí, nebo ji vypnete z aplikace.
2. Pokud se ve stavu Super Cool nastavuje teplota v prostoru chladničky, bliká ikona „E“ (funkce Super Cool), která signalizuje, že tuto operaci nelze provést.

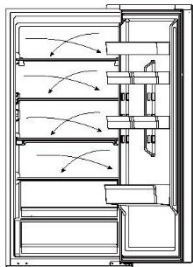


### Tipy pro úsporu energie

- ▶ Zajistěte, aby měl spotřebič náležité větrání (viz INSTALACE).
- ▶ Neinstalujte spotřebič na přímé sluneční světlo ani do blízkosti zdrojů tepla (např. sporáků nebo ohřívačů).
- ▶ Vyhněte se zbytečně nízké teplotě uvnitř spotřebiče. Spotřeba energie se zvyšuje se snižováním nastavené teploty ve spotřebiči.
- ▶ Funkce jako SUPER FREEZE spotřebovávají více energie.
- ▶ Teplé jídlo nechte před vložením do spotřebiče vychladnout.
- ▶ Otvírejte dvířka spotřebiče co nejméně a na co nejkratší dobu.
- ▶ Nepřeplňujte spotřebič, aby se nenarušilo proudění vzduchu.
- ▶ Zamezte přítomnosti vzduchu v obalech potravin.
- ▶ Udržujte těsnění dvířek v čistém stavu, aby se dvířka vždy správně zavírala.
- ▶ Rozmrazte zmrazené potraviny v úložném prostoru chladničky nebo použijte funkci D-Frost v boxu My Zone.
- ▶ Energeticky nejúspornější konfigurace vyžaduje, aby byly ve spotřebiči nainstalovány přihrádky, schránka na potraviny a police ve stavu jako z výroby a aby uložené potraviny nezakrývaly výstup vzduchového kanálu.

## **i** Upozornění

Vzhledem k různým modelům nemusí mít váš produkt všechny následující funkce. Viz kapitola Popis produktu.I.

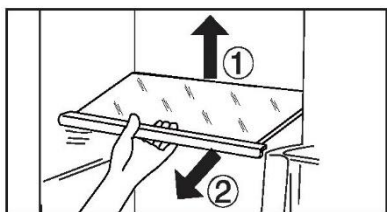


### Vícecestný průtok vzduchu

Chladnička je vybavena systémem vícecestného průtoku vzduchu, který zajišťuje proudění chladného vzduchu v každé úrovni polic. Pomáhá to udržovat jednotnou teplotu, která zaručí, že potraviny vydrží déle v čerstvém stavu

### Nastavitelné police

1. Výšku polic lze upravovat tak, aby vyhovovala vašim požadavkům na ukládání.
2. Chcete-li přemístit nějakou polici, vyjměte ji tak, že nejprve nadzdvihnete okraj ① a potom ji vytáhnete ven ②.
3. Při instalaci ji položte na výstupky na obou stranách a zatlačte ji až dozadu tak, aby se zadní strana police usadila uvnitř drážek v bočních stranách



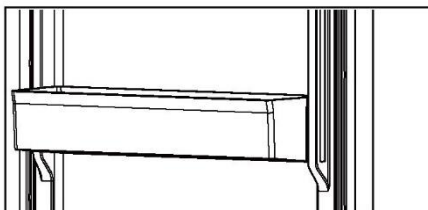
## **i** Upozornění

Ujistěte se, že oba konce police jsou v rovině.

### Odnímatelná police na dveřích

Police na dveřích lze vyjímat za účelem čištění:

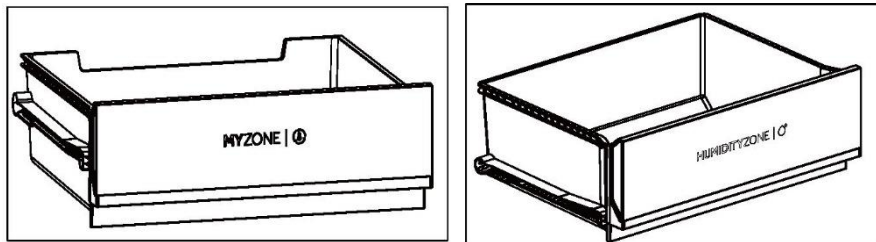
Uchopte rukama obě strany police, zdvihněte ji nahoru (1) a vytáhněte ji ven (2). Při vkládání dveřní police proveďte výše popsané kroky v opačném pořadí.





## Box My Zone

Informace o používání a nastavení prostoru My Zone naleznete v části POUŽITÍ (My Zone).



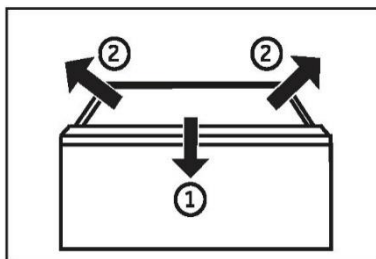
## Box Humidity Zone

V tomto prostoru je úroveň vlhkosti automaticky řízena systémem a je vhodná pro skladování ovoce, zeleniny, salátů atd.

## Vyjímatelná zásuvka

Chcete-li vyjmout zásuvku z prostoru chladničky nebo mrazničky, vytáhněte ji, jak nejdále to půjde (1), zvedněte a vyjměte (2).

Při vkládání zásuvky proveďte výše popsané kroky v opačném pořadí.



## Zásuvka mrazničky

Zásuvky mrazničky lze vysunout rovně a zcela. Jsou namontovány na teleskopické kolejnici pro snadné posouvání. Abyste mohli zmrazené potraviny pohodlně skladovat a vyjímat. Díky mechanismu automatického zavírání dveří je manipulace snadná a šetříte energii.



### VAROVÁNÍ

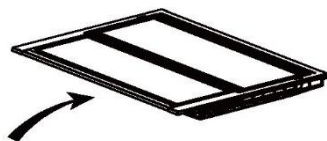
Zásuvky nepřetěžujte: Maximální zatížení každé zásuvky: 35 kg!

### Světlo

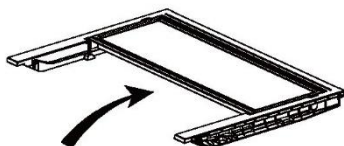
Po otevření dvířek se rozsvítí světlo LED osvětlující interiér. Fungování světel není ovlivňováno žádným z jiných nastavení spotřebiče.

### Skládací police

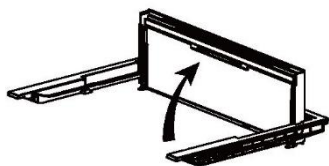
Skládací police umožní uživateli umístit na police vysoké láhve nebo položky. Police lze v zadní části sklopit, čímž se zvětší volný prostor spodní police. Polici lze složit podle kroků 1-3. Pokud ji chcete vrátit na původní místo, proveďte následující postup opačně.



Krok 1: Přední část police pomalu zatlačte až na konec.



Krok 2: Pomalu posuňte polici nahoru do svislé polohy.



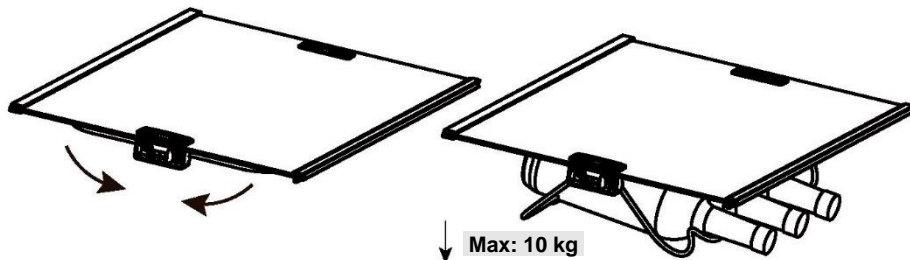
Krok 3: Police je svislá. Ušetří místo.

## Skládací stojan na láhve

Pro běžné použití

1. Stáhněte držáky stojanu na láhve
2. Vložte lahve do stojanu

Pokud stojan na láhve nepoužíváte, lze jej sklopit, abyste ušetřili místo.



CS

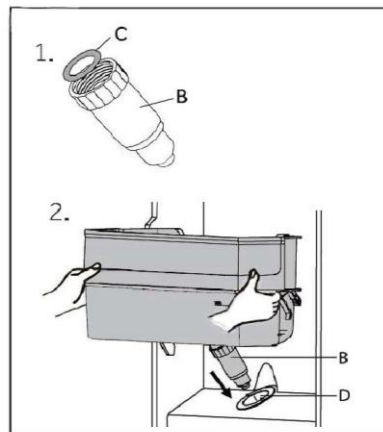
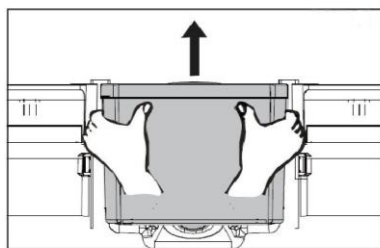
## Zásobník na vodu

### Vyjměte zásobník na vodu

Zásobník na vodu lze za účelem čištění vyjmout a nainstalovat zpět, stejně jako police na dveřích.

### Vložení zásobníku na vodu

1. Ujistěte se, že je hubice dávkovače (B) pevně přišroubována k nádrži na vodu a bílý O-kroužek (C) je na svém místě.
2. Umístěte zásobník na vodu do takové polohy, aby hubice dávkovače (B) zapadla do otvoru ve dveřích (D).



### Upozornění

- ▶ Ujistěte se, že je hubici pevně přišroubována k nádrži na vodu a bílý O-kroužek (C) je na svém místě.
- ▶ V případě nesprávně vloženého zásobníku na vodu může ze spojky kapat voda.
- ▶ Při vyjímání nebo instalaci zásobníku na vodu nepoužívejte nadměrnou sílu, aby se nepoškodil.



### VAROVÁNÍ!

Před čištěním odpojte spotřebič od napájení.

### Čištění

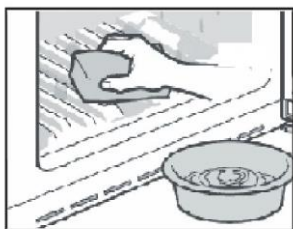
Spotřebič čistěte pouze tehdy, když je v něm uloženo jen málo potravin, nebo je prázdný.

Spotřebič by se měl čistit každé čtyři týdny, aby byl dobře udržovaný a zamezilo se zápachu z uložených potravin.



### VAROVÁNÍ!

- ▶ Nečistěte spotřebič tvrdými kartáči, drátěnými kartáči, práškovým mycím prostředkem, benzínem, amylacetátem, acetonem, podobnými organickými roztoky a kyselými nebo zásaditými roztoky. K čištění použijte speciální čisticí prostředek na chladničky, aby se zamezilo poškození.
- ▶ Během čištění na spotřebič nestříkejte ani nelijte vodu.
- ▶ K čištění spotřebiče nepoužívejte vodní postřik ani proud vody.
- ▶ Nečistěte chladné skleněné police horkou vodou. Náhlá změna teploty by mohla způsobit, že sklo praskne.
- ▶ Nedotýkejte se vnitřního povrchu úložného prostoru mrazničky, zejména ne mokřýma rukama, protože by mohly přimrznout k povrchu.
- ▶ V případě ohřátí zkontrolujte stav mražených potravin.



- ▶ Vždy udržujte těsnění dvířek v čistém stavu.
- ▶ Očistěte vnitřek a skříň spotřebiče houbou navlhčenou v teplé vodě s neutrálním čisticím prostředkem.
- ▶ 1. Vydrhněte vnitřní a vnější povrchy chladničky včetně těsnění dvířek, polic ve dvířkách, skleněných polic, příhrádek apod. měkkou utěrkou nebo houbou namočenou v teplé vodě (do teplé vody můžete přidat neutrální saponát).
- ▶ 2. Pokud se rozlije nějaká tekutina, vyjměte všechny zasažené součásti, opláchněte je přímo pod tekoucí vodou, osušte a vraťte zpět do chladničky.
- ▶ 3. Pokud se rozlije smetana (například šlehačka nebo roztátá zmrzlina), vyjměte všechny zasažené součásti, na nějakou dobu je vložte do teplé vody o teplotě asi 40 °C, potom je opláchněte pod tekoucí vodou, osušte a vraťte zpět do chladničky.
- ▶ 4. V případě, že uvnitř chladničky uvíznou nějaké malé díly nebo součásti (mezi policemi nebo zásuvkami), uvolněte je měkkým kartáčkem. Pokud na nějakou součást nedosáhnete, obraťte se na servis společnosti Haier
- ▶ Opláchněte povrch a vysušte ho měkkou látkou.
- ▶ Nemyjte žádné součásti spotřebiče v myčce.
- ▶ Před opětovným spuštěním spotřebiče počkejte alespoň 5 minut, protože časté spouštění by mohlo poškodit kompresor.

## Odmrazování

Prostory chladničky a mrazničky se odmrazují automaticky; není nutný žádný ruční zásah.

## Výměna žárovek LED

**VAROVÁNÍ!**

Nevyměňujte žárovku LED vlastními silami, její výměnu musí provést buď výrobce, nebo autorizovaný servisní zástupce.

CS

Jako zdroj světla v žárovce se využívají diody LED, které se vyznačují nízkou spotřebou energie a dlouhou životností. Pokud se vyskytne nějaký neobvyklý stav, kontaktujte zákaznický servis. Viz ZÁKAZNICKÝ SERVIS.

Parametry žárovek:

| Část                | Žárovka LED |
|---------------------|-------------|
| Napětí ve V         | 12 V        |
| Max. výkon ve W     | 1,5 W       |
| Specifikace LED     | White-2835  |
| Třída účinnosti LED | G           |
| Teplota použití     | -40~80 °C   |

**Když se spotřebič delší dobu nepoužívá**

Jestliže se spotřebič nebude delší dobu používat a nebudete využívat funkci chladničky Holiday:

Vyjměte potraviny.

Vytáhněte napájecí kabel ze zásuvky.

Vyčistěte spotřebič podle výše uvedeného popisu.

Nechte dvířka otevřená, aby se uvnitř nevytvořil zápach.

**Upozornění**

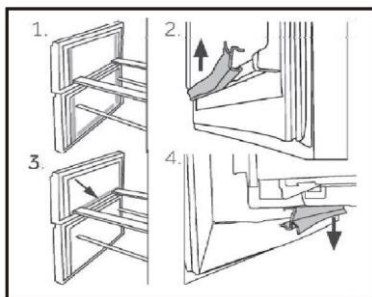
Spotřebič vypínejte pouze v nezbytně nutných případech.

### Odnímatelné pomocné těsnění dveří

Na horní a dolní zásuvce mrazničky je šest pomocných těsnění dveří.

1. Najděte pět uvedených těsnění dveří na horní a dolní zásuvce mrazničky.
2. Při upevňování dbejte na to, aby ohnuté plátky těsnění směřovaly dovnitř.
3. Vyhledejte spodní těsnění horní zásuvky podle pokynů.
4. Při upevňování dbejte na to, aby ohnutý plátek tohoto těsnění směřoval dolů.

Tato těsnění, stejně jako těsnění otočných dveří/zásuvek, získáte prostřednictvím zákaznického servisu (viz záruční list).



### Přemísťování spotřebiče

1. Vyjměte všechny potraviny a odpojte spotřebič od napájení.
2. Připevněte police a ostatní pohyblivé součásti v chladničce a mrazničce lepicí páskou.
3. Nenaklánějte chladničku v úhlu větším než 45°, aby se předešlo poškození chladicího systému.

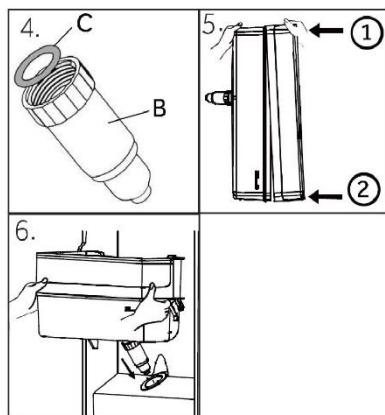
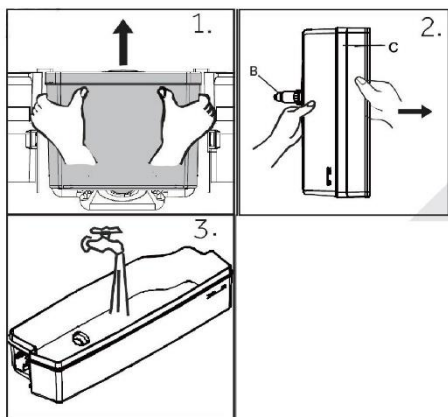


### VAROVÁNÍ!

- ▶ Nezdvihejte spotřebič za madla.
- ▶ Nikdy nepokládejte spotřebič vodorovně na zem.

## Čištění zásobníku na vodu

1. Vyjměte zásobník na vodu ze spotřebiče.
2. Sejměte kryt (C) a opatrně odšroubujte hubici dávkovače (B).
3. Vyčistěte zásobník na vodu a hubici dávkovače teplou tekoucí vodou a tekutým prostředkem na mytí nádobí. Důkladně opláchněte veškerý saponát
4. Namontujte hubici dávkovače (B) a dbejte na to, aby byla pevně přišroubována k zásobníku na vodu a bílý O-kroužek (C) byl na svém místě.
5. Stisknutím krytu jej spojte s jednou stranou zásobníku na vodu a poté s druhou stranou, zkontrolujte, zda je zásobník na vodu a kryt zcela sestaven.
6. Vyměňte zásobník uvnitř spotřebiče. Ujistěte se, že hubice dávkovače je správně zasunuta do otvoru dvířek.



### Upozornění

- ▶ V případě nesprávně vloženého zásobníku na vodu může ze spojky kapat voda.
- ▶ Při vyjímání nebo instalaci zásobníku na vodu nepoužívejte nadměrnou sílu, aby se nepoškodil.

Mnoho problémů můžete vyřešit sami bez konkrétních odborných znalostí. V případě nějakého problému zkontrolujte všechny možnosti a řiďte se níže uvedenými pokyny, než se obrátíte na poprodejní servis. Viz ZÁKAZNICKÝ SERVIS.



### VAROVÁNÍ!

- ▶ Před zahájením údržby vypněte spotřebič a vytáhněte zástrčku napájecího kabelu ze síťové zásuvky.
- ▶ Servis elektrického zařízení by měli provádět pouze kvalifikovaní elektrikáři, protože nepatřičné opravy by mohly vést k vážným následným škodám.
- ▶ Poškozený napájecí kabel by měl vyměnit pouze výrobce, jeho servisní zástupce nebo osoby s podobnou kvalifikací, aby se vyloučilo riziko.

### Řešení problémů

| Problém                                              | Možná příčina                                                                              | Možné řešení                                                                                                                 |
|------------------------------------------------------|--------------------------------------------------------------------------------------------|------------------------------------------------------------------------------------------------------------------------------|
| Kompresor nepracuje.                                 | Síťová zástrčka není zapojena do síťové zásuvky.                                           | Zapojte síťovou zástrčku.                                                                                                    |
|                                                      | Spotřebič provádí cyklus odmrazování.                                                      | Jedná se o normální jev při automatickém odmrazování.                                                                        |
| Spotřebič se spouští často, nebo běží příliš dlouho. | Vnitřní nebo venkovní teplota je příliš vysoká.                                            | V tomto případě je normální, že spotřebič běží déle.                                                                         |
|                                                      | Spotřebič byl určitou dobu vypnutý.                                                        | Normálně trvá 8 až 12 hodin, než se spotřebič úplně ochladí.                                                                 |
|                                                      | Dvířka/zásuvka spotřebiče nejsou těsně zavřené.                                            | Zavřete dvířka/zásuvku a ujistěte se, že spotřebič je umístěn na rovné zemi a dvířkům nepřekáží žádné potraviny nebo nádoby. |
|                                                      | Dvířka/zásuvka se otvírala příliš často, nebo byla příliš dlouho otevřená.                 | Neotvírejte dvířka/zásuvku příliš často.                                                                                     |
|                                                      | Nastavená teplota pro prostor mrazničky je příliš nízká.                                   | Nastavujte vyšší teplotu, dokud nedosáhnete uspokojivé teploty chladničky. Trvá 24 hodin, než se teplota chladničky ustálí.  |
|                                                      | Těsnění dvířek/zásuvky je znečištěné, opotřebené, popraskané nebo nesprávně nainstalované. | Vyčistěte těsnění dvířek/zásuvky, nebo ho nechte vyměnit zákaznickým servisem.                                               |
|                                                      | Není zaručena požadovaná cirkulace vzduchu.                                                | Zajistěte odpovídající větrání.                                                                                              |



| Problém                                                                       | Možná příčina                                                              | Možné řešení                                                                             |
|-------------------------------------------------------------------------------|----------------------------------------------------------------------------|------------------------------------------------------------------------------------------|
| Vnitřek chladničky je znečištěný a/nebo zapáchá.                              | Je třeba vyčistit vnitřek chladničky.                                      | Vyčistěte vnitřek chladničky.                                                            |
|                                                                               | V chladničce je uloženo nějaké silně aromatické jídlo.                     | Důkladně zabalte jídlo.                                                                  |
| Uvnitř spotřebiče není dostatečně chladno.                                    | Je nastavena příliš vysoká teplota.                                        | Znovu nastavte teplotu                                                                   |
|                                                                               | Byly uloženy příliš teplé potraviny.                                       | Před uložením vždy nechte jídlo vychladnout.                                             |
|                                                                               | Bylo uloženo příliš potravin najednou.                                     | Vždy ukládejte menší množství potravin.                                                  |
|                                                                               | Potraviny jsou příliš blízko sebe.                                         | Nechte mezi potravinami mezery umožňující proudění vzduchu.                              |
|                                                                               | Dvířka/zásuvka spotřebiče nejsou těsně zavřená.                            | Zavřete dvířka/zásuvku.                                                                  |
|                                                                               | Dvířka/zásuvka se otvírala příliš často, nebo byla příliš dlouho otevřená. | Neotvírejte dvířka/zásuvku příliš často.                                                 |
| Uvnitř spotřebiče je příliš chladno.                                          | Je nastavena příliš nízká teplota.                                         | Znovu nastavte teplotu.                                                                  |
|                                                                               | Je aktivována funkce Super Freeze, nebo běží příliš dlouho.                | Vypněte funkci Super Freeze.                                                             |
| Tvoření vlhkosti na vnitřním povrchu prostoru chladničky.                     | Prostředí je příliš teplé a vlhké.                                         | Zvyšte teplotu.                                                                          |
|                                                                               | Dvířka/zásuvka spotřebiče nejsou těsně zavřená.                            | Zavřete dvířka/zásuvku.                                                                  |
|                                                                               | Dvířka/zásuvka se otvírala příliš často, nebo byla příliš dlouho otevřená. | Neotvírejte dvířka/zásuvku příliš často.                                                 |
|                                                                               | Nádoby na potraviny nebo tekutiny zůstaly otevřené.                        | Nechte horké potraviny vychladnout na pokojovou teplotu a zakryjte potraviny a tekutiny. |
| Na vnějším povrchu chladničky nebo mezi dvířky a zásuvkou se hromadí vlhkost. | Prostředí je příliš teplé a vlhké.                                         | Jedná se o normální jev ve vlhkém prostředí; až se sníží vlhkost, situace se změní.      |
|                                                                               | Dvířka/zásuvka nejsou těsně zavřená.                                       | Ujistěte se, že dvířka/zásuvka jsou těsně zavřená.                                       |

| Problém                                              | Možná příčina                                                                              | Možné řešení                                                                                           |
|------------------------------------------------------|--------------------------------------------------------------------------------------------|--------------------------------------------------------------------------------------------------------|
| V prostoru mrazničky je silná vrstva ledu a námrazy. | Potraviny nebyly náležitě zabalené.                                                        | Vždy dobře zabalte potraviny.                                                                          |
|                                                      | Dvířka/zásuvka spotřebiče nejsou těsně zavřená.                                            | Zavřete dvířka/zásuvku.                                                                                |
|                                                      | Dvířka/zásuvka se otvírala příliš často, nebo byla příliš dlouho otevřená.                 | Neotvírejte dvířka/zásuvku příliš často.                                                               |
|                                                      | Těsnění dvířek/zásuvky je znečištěné, opotřebené, popraskané nebo nesprávně nainstalované. | Vyčistěte těsnění dvířek/zásuvky, nebo ho vyměňte za nové.                                             |
|                                                      | Něco uvnitř brání správnému zavření dvířek/zásuvky.                                        | Přemístěte vnitřní police, police na dvířkách nebo vnitřní nádoby, aby se mohla dvířka/zásuvka zavřít. |
| Spotřebič vydává neobvyklé zvuky.                    | Spotřebič nestojí na rovné zemi.                                                           | Seřídte nohy, aby stál spotřebič rovně.                                                                |
|                                                      | Spotřebič se dotýká nějakého předmětu v jeho okolí.                                        | Odstraňte předměty z okolí spotřebiče.                                                                 |
| Ozývá se slabý zvuk podobný proudění vody.           | Jedná se o normální jev.                                                                   | /                                                                                                      |
| Ozývá se pípní alarmu.                               | Dvířka úložného prostoru chladničky jsou otevřená.                                         | Zavřete dvířka, nebo ručně vypněte alarm.                                                              |
| Ozývá se slabé hučení.                               | Protikondenzační systém je v chodu.                                                        | Zabraňuje kondenzaci, jedná se o normální jev.                                                         |
| Nefunguje osvětlení interiéru nebo chladicí systém.  | Síťová zástrčka není zapojena do síťové zásuvky                                            | Zapojte síťovou zástrčku.                                                                              |
|                                                      | Napájení nemá správné parametry.                                                           | Zkontrolujte přívod elektrického napájení do místnosti. Zavolejte místnímu dodavateli elektřiny!       |
|                                                      | Žárovka LED je vadná.                                                                      | Zavolejte do servisu se žádostí o výměnu žárovky.                                                      |
| Boční strany skříňě a lišta na dvířkách jsou teplé.  | Jedná se o normální jev.                                                                   | /                                                                                                      |
| Z hubice dávkovače vody nevytéká voda                | Zámek není deaktivován.                                                                    | Deaktivujte zámek                                                                                      |

## Výpadek napájení

- ▶ V případě výpadku napájení by měly potraviny zůstat bezpečně v chladu po dobu asi 13 hodin. Během delšího výpadku napájení se řiďte těmito tipy, zejména v létě.
- ▶ Otvírejte dvířka/zásuvku co nejméně často.
- ▶ Během výpadku napájení nevkládejte do spotřebiče další potraviny.
- ▶ Pokud je přerušení dodávky elektřiny předem oznámeno a trvá déle než 13 hodin, připravte si ledové kostky a vložte je do nádoby na horní polici prostoru chladničky.
- ▶ Ihned po výpadku napájení je nutné zkontrolovat potraviny.
- ▶ Vzhledem k tomu, že během výpadku napájení nebo jiné závady vzroste teplota v chladničce, doba skladování a požitelnost potravin se zkrátí. Jakékoli potraviny, které se rozmrazí, by se měly buď zkonsumovat, nebo brzy potom uvařit či upéct a znovu zmrazit (je-li to vhodné), aby se předešlo zdravotním rizikům.



### Upozornění

#### Funkce paměti během výpadku napájení

Po obnovení napájení bude spotřebič pokračovat v činnosti s parametry, které byly nastaveny před výpadkem.

Chcete-li kontaktovat technickou pomoc, navštivte naše webové stránky:  
<https://corporate.haier-europe.com/en/>

V části „Website“ zvolte značku svého výrobku a svou zemi. Budete přesměrováni na konkrétní webovou stránku, kde najdete telefonní číslo a další způsoby, jak kontaktovat technickou pomoc.

## Vybalení



### VAROVÁNÍ!

- ▶ Spotřebič je těžký. Vždy s ním manipulujte alespoň ve dvou.
- ▶ Uchovávejte všechny obalové materiály mimo dosah dětí a zlikvidujte je způsobem šetrným k životnímu prostředí.
- ▶ Vyjměte spotřebič z obalu.
- ▶ Odstraňte všechny obalové materiály.

## Podmínky prostředí

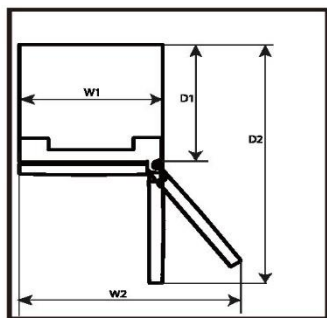
Pokojeová teplota by měla být vždy mezi 10 °C a 43 °C, protože může ovlivňovat teplotu uvnitř spotřebiče a jeho spotřebu energie. Bez náležité izolace neinstalujte spotřebič do blízkosti jiných spotřebičů vytvářejících teplo (trub, chladniček).

## Změna směru otvírání dveří

Před trvalou instalací spotřebiče zkontrolujte správnou polohu závěsu dveří. V případě potřeby viz část ZMĚNA SMĚRU OTVÍRÁNÍ DVEŘÍ

## Požadavky na prostor

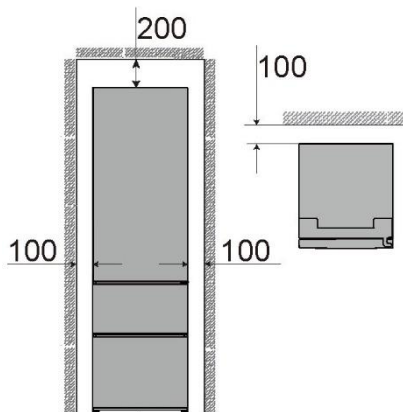
Potřebný prostor s otevřenými dvířky:



| Šířka spotřebiče v mm |     | Hloubka spotřebiče v mm |      |
|-----------------------|-----|-------------------------|------|
| W1                    | W2  | D1                      | D2   |
| 595                   | 918 | 600                     | 1220 |

## Prostor pro větrání

Z bezpečnostních důvodů je nutné dodržet informace o požadovaném prostoru pro větrání, aby byl spotřebič dostatečně větráný.



## Změna směru otáčení dveří

Před připojením spotřebiče k napájení byste měli zkontrolovat, zda není nutné změnit směr otáčení dveří zprava (po dodání) doleva, jestliže to vyžaduje místo instalace a použitelnost.



### VAROVÁNÍ!

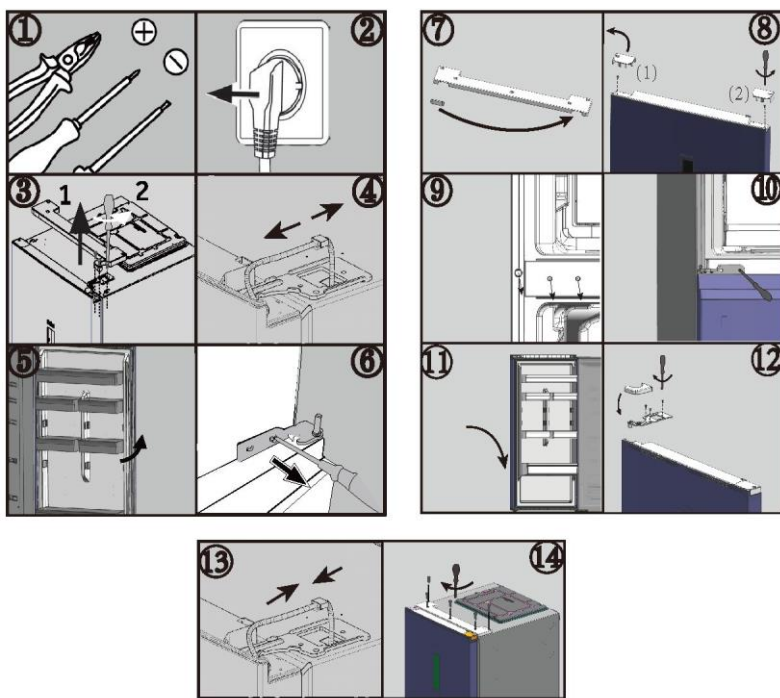
- ▶ Spotřebič je těžký. Ke změně směru otáčení dveří jsou zapotřebí dvě osoby.
- ▶ Před jakýmkoli úkonem nejprve odpojte spotřebič od sítě
- ▶ Nenaklánejte spotřebič v úhlu větším než 45 °C, aby se předešlo poškození chladicího systému.

CS

## Kroky montáže

1. Připravte si potřebné nástroje.
2. Odpojte spotřebič od napájení.
3. Sejměte kryt horního závěsu (1) a odšroubujte horní závěs (tři šrouby) na pravé straně (2).
4. Odpojte propojovací kabel
5. Uvolněné dveře chladničky opatrně zvedněte ze spodního závěsu.
6. Odstraňte spodní závěs horních dveří
7. Odstraňte malý kryt předního panelu zleva doprava.
8. Otočte dvířka vzhůru nohama a odšroubujte kryt (1). Vyjměte nový kryt (2) ze sáčku s příslušenstvím a přišroubujte ho na opačnou stranu.
9. Změňte polohu záslepek a šroubu na boku.
10. Přišroubujte spodní závěs k levé straně spotřebiče.
11. Opatrně zvedněte horní dvířka na spodním závěsu. A ujistěte se, že čep zapadá do hlavního závěsu spodních dveří.
12. Vyjměte nový horní závěs a kryt závěsu ze sáčku s příslušenstvím. Propojovací kabel protáhněte závěsem nahoru a horní závěs upevněte třemi šrouby na levé straně spotřebiče. A na závěs nasadte kryt závěsu.
13. Zapojte přípojovací kabel.
14. Vyměňte přední panel a upevněte jej pěti šrouby.

Po výměně dveří zkontrolujte, zda jsou těsnění dveří správně umístěna na skříni a zda jsou všechny šrouby dobře dotaženy.



## Okolní teplota

Subnormální: tento chladicí spotřebič je určen k používání při teplotách okolí v rozsahu od 10 °C do 32 °C

Normální: tento chladicí spotřebič je určen k používání při teplotách okolí v rozsahu od 16 °C do 32 °C"

Subtropická: „tento chladicí spotřebič je určen k používání při teplotách okolí v rozsahu od 16 °C do 38 °C“;

Tropická: „tento chladicí spotřebič je určen k používání při teplotách okolí v rozsahu od 16 °C do 43 °C“.

**Informační list výrobku podle nařízení EU č. 2019/2016**

Na základě výsledků standardní zkoušky za 24 hodin. Skutečná spotřeba energie bude záviset na způsobu používání a umístění spotřebiče.

|                                                                                               |                      |                      |                      |
|-----------------------------------------------------------------------------------------------|----------------------|----------------------|----------------------|
| Ochranná známka                                                                               | Haier                | Haier                | Haier                |
| Identifikační značka modelu                                                                   | HTW5618DN*           | HTW5620DN*           | HTW5618DW*           |
| Kategorie modelu                                                                              | Chladnička-mraznička | Chladnička-mraznička | Chladnička-mraznička |
| Třída energetické účinnosti                                                                   | D                    | D                    | D                    |
| Roční spotřeba energie (kWh/rok)                                                              | 217                  | 226                  | 216                  |
| Objem chladničky (L)                                                                          | 201                  | 255                  | 198                  |
| Objem mrazicího prostoru (L)                                                                  | 125                  | 125                  | 125                  |
| Objem My Zone (L)                                                                             | 34                   | 34                   | 34                   |
| hodnocení hvězdičkami                                                                         | 4                    | 4                    | 4                    |
| Systém bez námrazy                                                                            | Ano                  | Ano                  | Ano                  |
| Bezpečné přerušení napájení (h) / doba nárůstu teploty (h)                                    | 13                   | 13                   | 13                   |
| Mrazicí výkon (kg/24 h)                                                                       | 10                   | 10                   | 10                   |
| Klimatická třída<br>Tento spotřebič je určen k používání při teplotě okolí mezi 10 °C a 43 °C | SN/N/ST/T            | SN/N/ST/T            | SN/N/ST/T            |
| Třída emisí hluku a emise hluku šířeného vzduchem (dB(A) re 1 pW)                             | 35                   | 35                   | 35                   |

|                                                                                               |                      |                      |
|-----------------------------------------------------------------------------------------------|----------------------|----------------------|
| Ochranná známka                                                                               | Haier                | Haier                |
| Identifikační značka modelu                                                                   | HTW5618CN*           | HTW5620CN*           |
| Kategorie modelu                                                                              | Chladnička-mraznička | Chladnička-mraznička |
| Třída energetické účinnosti                                                                   | C                    | C                    |
| Roční spotřeba energie (kWh/rok)                                                              | 173                  | 181                  |
| Objem chladničky (L)                                                                          | 201                  | 255                  |
| Objem mrazicího prostoru (L)                                                                  | 125                  | 125                  |
| Objem My Zone (L)                                                                             | 34                   | 34                   |
| hodnocení hvězdičkami                                                                         | 4                    | 4                    |
| Systém bez námrazy                                                                            | Ano                  | Ano                  |
| Bezpečné přerušení napájení (h)/doba nárůstu teploty (h)                                      | 13                   | 13                   |
| Mrazicí výkon (kg/24 h)                                                                       | 10                   | 10                   |
| Klimatická třída<br>Tento spotřebič je určen k používání při teplotě okolí mezi 10 °C a 43 °C | SN/N/ST/T            | SN/N/ST/T            |
| Třída emisí hluku a emise hluku šířeného vzduchem (dB(A) re 1 pW)                             | 35                   | 35                   |



**Informační list výrobku podle nařízení EU č. 2019/2016**

Na základě výsledků standardní zkoušky za 24 hodin. Skutečná spotřeba energie bude záviset na způsobu používání a umístění spotřebiče.

|                                                                                               |                      |                      |                      |
|-----------------------------------------------------------------------------------------------|----------------------|----------------------|----------------------|
| Ochranná známka                                                                               | Haier                | Haier                | Haier                |
| Identifikační značka modelu                                                                   | HDPW5618DN*          | HDPW5620DN*          | HDPW5618DW*          |
| Kategorie modelu                                                                              | Chladnička-mraznička | Chladnička-mraznička | Chladnička-mraznička |
| Třída energetické účinnosti                                                                   | D                    | D                    | D                    |
| Roční spotřeba energie (kWh/rok)                                                              | 214                  | 220                  | 214                  |
| Objem chladničky (L)                                                                          | 201                  | 255                  | 198                  |
| Objem mrazicího prostoru (L)                                                                  | 117                  | 117                  | 117                  |
| Objem My Zone (L)                                                                             | 34                   | 34                   | 34                   |
| hodnocení hvězdičkami                                                                         | 4                    | 4                    | 4                    |
| Systém bez námrazy                                                                            | Ano                  | Ano                  | Ano                  |
| Bezpečné přerušení napájení (h) / doba nárůstu teploty (h)                                    | 13                   | 13                   | 13                   |
| Mrazicí výkon (kg/24 h)                                                                       | 10                   | 10                   | 10                   |
| Klimatická třída<br>Tento spotřebič je určen k používání při teplotě okolí mezi 10 °C a 43 °C | SN/N/ST/T            | SN/N/ST/T            | SN/N/ST/T            |
| Třída emisí hluku a emise hluku šířeného vzduchem (dB(A) re 1 pW)                             | 35                   | 35                   | 35                   |

|                                                                                               |                      |                      |                      |
|-----------------------------------------------------------------------------------------------|----------------------|----------------------|----------------------|
| Ochranná známka                                                                               | Haier                | Haier                | Haier                |
| Identifikační značka modelu                                                                   | HDPW5618CN*          | HDPW5620CN*          | HDPW5620AN*          |
| Kategorie modelu                                                                              | Chladnička-mraznička | Chladnička-mraznička | Chladnička-mraznička |
| Třída energetické účinnosti                                                                   | C                    | C                    | A                    |
| Roční spotřeba energie (kWh/rok)                                                              | 171                  | 176                  | 114                  |
| Objem chladničky (L)                                                                          | 201                  | 255                  | 255                  |
| Objem mrazicího prostoru (L)                                                                  | 117                  | 117                  | 120                  |
| Objem My Zone (L)                                                                             | 34                   | 34                   | 34                   |
| hodnocení hvězdičkami                                                                         | 4                    | 4                    | 4                    |
| Systém bez námrazy                                                                            | Ano                  | Ano                  | Ano                  |
| Bezpečné přerušení napájení (h) / doba nárůstu teploty (h)                                    | 13                   | 13                   | 16                   |
| Mrazicí výkon (kg/24 h)                                                                       | 10                   | 10                   | 10                   |
| Klimatická třída<br>Tento spotřebič je určen k používání při teplotě okolí mezi 10 °C a 43 °C | SN/N/ST/T            | SN/N/ST/T            | SN/N/ST/T            |
| Třída emisí hluku a emise hluku šířeného vzduchem (dB(A) re 1 pW)                             | 35                   | 35                   | 35                   |

## Další technické údaje

| Identifikační značka modelu | HTW5618D*                           | HTW5620DN*        | HTW5618CN*        | HTW5620CN*        |
|-----------------------------|-------------------------------------|-------------------|-------------------|-------------------|
| Celkový objem (l)           | 360<br>(357 pro<br>HTW5618DWMG(UK)) | 414               | 360               | 414               |
| Napětí/frekvence            | 220–240 V / 50 Hz                   | 220–240 V / 50 Hz | 220–240 V / 50 Hz | 220–240 V / 50 Hz |
| vstupní proud (A)           | 1,4 A                               | 1,4 A             | 1,4 A             | 1,4 A             |
| Hlavní pojistka (A)         | 16 A                                | 16 A              | 15 A              | 15 A              |
| Chladivo/<br>množství       | R600a/53g                           | R600a/53g         | R600a/50 g        | R600a/50 g        |
| Rozměry<br>(Š/H/V v mm)     | 595*667*1850                        | 595*667*2050      | 595*667*1850      | 595*667*2050      |

| Identifikační značka modelu | HDPW5618D*   | HDPW5618DW*  | HDPW5620DN*  |
|-----------------------------|--------------|--------------|--------------|
| Celkový objem (l)           | 352          | 349          | 406          |
| Napětí/frekvence            | 220–240/50Hz | 220–240/50Hz | 220–240/50Hz |
| vstupní proud (A)           | 1,4 A        | 1,4 A        | 1,4 A        |
| Hlavní pojistka (A)         | 16 A         | 16 A         | 16 A         |
| Chladivo/<br>množství       | R600a/53g    | R600a/53g    | R600a/53g    |
| Rozměry<br>(Š/H/V v mm)     | 595*667*1850 | 595*667*1850 | 595*667*2050 |

| Identifikační značka modelu | HDPW5618CN*  | HDPW5620CN*  | HDPW5620AN*  |
|-----------------------------|--------------|--------------|--------------|
| Celkový objem (l)           | 352          | 406          | 409          |
| Napětí/frekvence            | 220~240/50Hz | 220~240/50Hz | 220~240/50Hz |
| vstupní proud (A)           | 1,4 A        | 1,4 A        | 1,4 A        |
| Hlavní pojistka (A)         | 15 A         | 15 A         | 15 A         |
| Chladivo/<br>množství       | R600a/50 g   | R600a/50 g   | R600a/50 g   |
| Rozměry<br>(Š/H/V v mm)     | 595*667*1850 | 595*667*2050 | 595*667*2050 |

### Normy a směrnice

Tento výrobek splňuje požadavky všech platných směrnic ES s odpovídajícími harmonizovanými normami, které stanoví používání označení CE.

Doporučujeme využívat zákaznický servis společnosti Haier a používat originální náhradní díly.

V případě nějakého problému se spotřebičem si nejprve přečtete část ŘEŠENÍ PROBLÉMŮ.

Pokud v ní nenajdete řešení, kontaktujte

- ▶ místního prodejce nebo
- ▶ naše Evropské středisko telefonické podpory (viz telefonní čísla uvedená níže) nebo
- ▶ část Servis a podpora na stránkách [www.haier.com](http://www.haier.com), kde můžete aktivovat požadavek na servis
- ▶ a kde najdete také časté dotazy.

Chcete-li kontaktovat náš servis, ujistěte se, že máte k dispozici následující údaje. Tyto údaje lze najít na výrobním štítku.

Model \_\_\_\_\_

Sériové č. \_\_\_\_\_

V případě záruky se také podívejte do záručního listu dodaného s výrobkem.

| Evropské středisko telefonické podpory |                 |                                                                                                                    |
|----------------------------------------|-----------------|--------------------------------------------------------------------------------------------------------------------|
| Země*                                  | Telefonní číslo | Ceny                                                                                                               |
| Haier Italy (IT)                       | 199 100 912     |                                                                                                                    |
| Haier Spain (ES)                       | 902 509 123     |                                                                                                                    |
| Haier Germany (DE)                     | 0180 5 39 39 99 | <ul style="list-style-type: none"> <li>• 14 Kč/min pevná linka</li> <li>• max. 42 Kč/min mobil</li> </ul>          |
| Haier Austria (AT)                     | 0820 001 205    | <ul style="list-style-type: none"> <li>• 14,53 Kč/min pevná linka</li> <li>• max. 20 Kč/min vše ostatní</li> </ul> |
| Haier United Kingdom (UK)              | 0333 003 8122   |                                                                                                                    |
| Haier France (FR)                      | 0980 406 409    |                                                                                                                    |

\* Údaje o ostatních zemích najdete na adrese [www.haier.com](http://www.haier.com)

Haier Europe Trading S.r.l

Branch UK

Westgate House, Westgate, Ealing

London, W5 1YY

\*Doba záruky chladničky:

Minimální záruka: 2 roky pro země EU, 3 roky pro Turecko, 1 rok pro Spojené království, 1 rok pro Rusko, 3 roky pro Švédsko, 2 roky pro Srbsko, 5 let pro Norsko, 1 rok pro Maroko, 6 měsíců pro Alžírsko, Tunisko nevyžaduje žádnou zákonnou záruku.

\*Doba dostupnosti náhradních dílů pro opravu spotřebiče:

Termostaty, snímače teploty, desky s plošnými spoji a světelné zdroje budou k dispozici po dobu nejméně sedmi let od uvedení posledního modelu spotřebiče na trh.

Madla dvířek, závěsy dvířek, přihrádky a koše budou k dispozici po dobu nejméně sedmi let a těsnění dvířek po dobu nejméně deseti let od uvedení posledního modelu spotřebiče na trh.

\*Chcete-li další informace o výrobku, navštivte stránky <https://eprel.ec.europa.eu/> nebo naskenujte kód QR na energetickém štítku dodaném se spotřebičem.



---

|                             |     |
|-----------------------------|-----|
| Sikkerhedsoplysninger ..... | 103 |
| Anvendelsesformål .....     | 109 |
| Produktbeskrivelse.....     | 110 |
| Betjeningspanel.....        | 116 |
| Brug.....                   | 117 |
| Wi-Fi-brug.....             | 122 |
| Brug.....                   | 123 |
| Energisparetips .....       | 126 |
| Udstyr.....                 | 127 |
| Pleje og rengøring.....     | 131 |
| Fejlfinding .....           | 135 |
| Installation.....           | 139 |
| Tekniske data.....          | 142 |
| Kundeservice .....          | 148 |

---

**Tak, fordi du har købt et Haier-produkt.**

Læs disse anvisninger nøje, før dette apparat anvendes. Instruktionerne indeholder vigtig information, som vil hjælpe dig med at få det bedste ud af apparatet og sikre sikker og korrekt installation, brug og vedligeholdelse.

Opbevar denne vejledning et bekvemt sted, så du altid kan slå op i den for sikker og korrekt brug af apparatet.

Hvis du sælger apparatet, giver det væk eller efterlader det, når du flytter, bedes du sørge for også at videregive denne manual, så den nye ejer kan blive fortrolig med apparatet og sikkerhedsadvarsler ved hjælp af denne vejledning.



**ADVARSEL - Vigtige sikkerhedsoplysninger****BEMÆRK - Generel information og tip****Miljøoplysninger**

DA

**Bortskaffelse**

Hjælp med at beskytte miljøet og menneskers sundhed. Læg emballagen i passende beholdere for at genbruge den. Hjælp med at genbruge affald fra elektriske og elektroniske apparater. Bortskaf ikke apparater mærket med dette symbol sammen med husholdningsaffaldet. Returner produktet til din lokale genbrugsstation eller kontakt dit kommunale kontor.

**ADVARSEL!**

Risiko for personskade eller kvælning!

Kølemidler og gasser skal bortskaffes professionelt. Sørg for, at kølemiddelkredsens rør ikke er beskadiget, før apparatet bortskaffes korrekt. Afbryd apparatet fra lysnettet. Skær lysnetkablet af og bortskaf det. Fjern bakker og skuffer samt dørlås og tætninger for at forhindre børn og kæledyr i at blive lukket i apparatet.

### Inden du tænder for apparatet første gang, skal du læse følgende sikkerhedsanvisninger!:



#### ADVARSEL!

##### Før første brug

- ▶ Kontrollér, at der ikke er transportskader.
- ▶ Fjern al emballage og opbevar den uden for børns rækkevidde.
- ▶ Vent mindst to timer, før du installerer apparatet for at sikre, at kølemiddelkredsløbet er fuldt effektivt.
- ▶ Vær altid to personer om at håndtere apparatet, da det er tungt.

##### Installation

- ▶ Apparatet skal placeres på et godt ventileret sted. Sørg for en afstand på mindst 10 cm over og omkring apparatet.
- ▶ Anbring aldrig apparatet i et fugtigt område eller et sted, hvor det kan blive sprøjtet til med vand. Rens og aftør vandsprøjt og pletter med en blød ren klud.
- ▶ Installer ikke apparatet i direkte sollys eller i nærheden af varmekilder (f.eks. komfurer, varmeapparater).
- ▶ Installer og niveller apparatet på et område, der er egnet til dets størrelse og brug.
- ▶ Hold ventilationsåbninger i apparatets kabinet eller de indbyggede komponenter fri for hindringer.
- ▶ Kontroller, at de elektriske oplysninger på mærkepladen passer til strømforsyningen. Hvis ikke skal du kontakte en elektriker.
- ▶ Apparatet drives af et lysnet på 220-240 VAC/50 Hz. Unormale spændingsafvigelser kan gøre, at apparatet ikke starter, eller det tager skade på temperaturstyringen eller kompressoren under drift. I sådanne tilfælde skal der monteres en automatisk regulator.
- ▶ Brug en separat jordet stikkontakt til strømforsyningen, som er let tilgængelig. Apparatet skal være jordet.
- ▶ Kun til Storbritannien: Apparatets lysnetledning er monteret med et stik til 3 ledninger (med jord), der passer til et standard 3-ledet stik (med jord). Det tredje ben (jordforbindelsen) må aldrig klippes af. Når apparatet er installeret, skal stikket være let at komme til.
- ▶ Brug ikke forgrenere og forlængerkabler.
- ▶ Sørg for, at strømkablet ikke er fanget af køleskabet. Træk ikke på strømkablet.
- ▶ Kølemiddelkredsen må ikke beskadiges.
- ▶ Placér ikke flere løse forgrenerledninger eller bærbare strømforsyninger bag ved apparatet.



## ADVARSEL!

### Daglig brug

- ▶ Dette apparat kan anvendes af børn fra en alder på 8 år og af personer med nedsatte fysiske, sensoriske eller mentale evner eller med en manglende erfaring og viden, forudsat at de er under opsyn eller har modtaget vejledning i sikker brug af apparatet, samt at de forstår de farer, der er forbundet dermed.
- ▶ Børn må ikke lege med apparatet.
- ▶ Børn i alderen fra 3 til 8 år har lov til at sætte mad ind og tage det ud, men må ikke rengøre eller installere køleapparaterne.
- ▶ Hold børn under 3 år væk fra apparatet, medmindre de er under opsyn hele tiden.
- ▶ Rengøring og vedligeholdelse må ikke udføres af børn uden opsyn.
- ▶ Apparatet skal placeres, så stikket er tilgængeligt.
- ▶ Hvis kølegas eller anden brændbar gas siver ud i nærheden af apparatet, skal du slukke for ventilen til den utætte gas, åbne døre og vinduer og ikke tage stikket ud af strømkablet til køleskabet eller noget andet apparat.
- ▶ Bemærk, at apparatet er indstillet til drift ved en specifikt omgivelsestemperatur mellem 10 og 43°C. Apparatet fungerer muligvis ikke korrekt, hvis det efterlades i længere tid ved en temperatur over eller under det angivne område.
- ▶ Undlad at placere ustabile genstande (tunge genstande, beholdere med vand) oven på køleskabet for at undgå personskader som følge af fald eller elektrisk stød, som skyldes kontakt med vand.
- ▶ Træk ikke i dørhylde. Døren kan trækkes skæv, flaskeholderen kan trækkes væk, eller apparatet kan vælte.
- ▶ Åbn og luk kun døren med håndtagene. Mellemrummet mellem døren og skabet er meget smalt. Stik ikke hænderne i disse områder, så du undgår at klemme fingrene. Åbn eller luk kun køle-fryseskabsdørene, når der ikke er børn inden for dørens bevægelsesområde.
- ▶ Opbevar aldrig væsker i flasker eller dåser (bortset fra spiritus med høj alkoholprocent), især kulsyreholdige drikkevarer i fryseren, da disse vil sprænges under frysning.
- ▶ Opbevar ikke eksplosive stoffer som f.eks. aerosoldåser med brændbare drivmidler i dette apparat.



### ADVARSEL!

- ▶ Undlad at opbevare medicin, bakterier eller kemikalier i apparatet. Dette apparat er et husholdningsapparat. Det frarådes at opbevare materialer, der kræver nøjagtige temperaturer.
- ▶ Undgå kontaminering af fødevarer ved at overholde følgende instruktioner:
- ▶ - Åbning af lågen i længere tid kan medføre en væsentlig temperaturstigning i køleskabet.
- ▶ - Rengør regelmæssigt de overflader, der kan komme i kontakt med madvarer, og de tilgængelige afløbssystemer.
- ▶ - Rengør vandbeholderne, hvis de ikke er blevet brugt i 48 timer. Skyl det vandsystem, der er forbundet med vandforsyningen, hvis der ikke er brugt vand i 5 dage.
- ▶ - Opbevar ferskt kød og fisk i egnede fade eller bokse i køleskabet, så de ikke drypper på eller er i kontakt med andre fødevarer.
- ▶ - To-stjernede fryserum er velegnede til opbevaring af frostvarer, opbevaring eller fremstilling af is og fremstilling af isterninger.
- ▶ - Et-, to- og trestjernede rum er ikke egnede til frysning af ferskvarer.
- ▶ - Hvis køleskabet efterlades tomt i længere tid, skal det slukkes, afrimes, rengøres, tørres og efterlades med lågen åbnet, så der ikke opstår mug i køleskabet.
- ▶ Kontroller madens tilstand, hvis der har fundet en temperaturstigning sted i fryseren.
- ▶ Indstil ikke unødigt lav temperatur i køleafdelingen. Minustemperaturer kan forekomme ved høje indstillinger. OBS: Flasker kan sprænges.
- ▶ Rør ikke ved frostvarer med våde hænder (brug handsker). Spis især ikke ispinde umiddelbart efter at de er taget ud af fryseren. Der er risiko for fastfrysning eller forfrysninger. FØRSTEHJÆLP: Hold straks skaden under rindende koldt vand. Træk den ikke væk!
- ▶ Rør ikke ved den indvendige overflade af fryserens opbevaringsrum, når det er i brug, især med våde hænder, da dine hænder kan fryse fast på overfladen.
- ▶ Tag stikket ud af stikkontakten i tilfælde af strømafbrydelse eller før rengøring. Lad der gå mindst 7 minutter, før køleskabet/fryseren startes igen, da hyppige starter kan beskadige kompressoren
- ▶ Brug ikke elektriske apparater inde i madopbevaringsrummet, medmindre de er af en type, som producenten anbefaler

**ADVARSEL!****Vedligeholdelse/rengøring**

- ▶ Sørg for, at børn er under opsyn, hvis de udfører rengøring og vedligeholdelse.
- ▶ Afbryd apparatet fra strømforsyningen, før der udføres rutinemæssig vedligeholdelse. Lad der gå mindst 5 minutter, før køleskabet/fryseren startes igen, da hyppige starter kan beskadige kompressoren.
- ▶ Hold i stikket, ikke i kablet, når det trækkes ud af stikket.
- ▶ Rengør ikke apparatet med hårde børster, stålbørster, vaskepulver, benzin, amylacetat, acetone og lignende organiske opløsninger, sure eller alkaliske opløsninger. Rengør venligst med specielt køleskabs/fryserens rengøringsmiddel for at undgå skader. Brug varmt vand og tvekulsurt natron - ca. en spiseskefuld til en liter vand. Skyl grundigt med vand og tør af. Brug ikke skurepulver eller andre slibende rengøringsmidler. Vask ikke aftagelige dele i opvaskemaskine.
- ▶ Skrab ikke frost og is af med skarpe genstande. Brug ikke spray, elektriske varmeapparater som varmelegeme, hårtørrer, damprensere eller andre varmekilder for at undgå beskadigelse af plastikdelene.
- ▶ Brug ikke andre mekaniske enheder eller andre metoder til at fremme afrimningsprocessen end de af producenten anbefalede.
- ▶ Hvis lysnetledningen er beskadiget, skal den udskiftes af producenten, dennes serviceagent eller en lignende kvalificeret fagperson for at undgå fare.
- ▶ Prøv ikke selv at reparere, adskille eller ændre apparatet. Kontakt vores kundeservice ved behov for reparation.
- ▶ Hvis belyningslampen er beskadiget, skal den udskiftes af producenten, dennes servicetekniker eller en lignende kvalificeret fagperson for at undgå fare.
- ▶ Fjern støvet på bagsiden af enheden mindst én gang om året for at undgå brandfare samt øget energiforbrug.
- ▶ Undlad at sprøjte eller skylle apparatet under rengøring.
- ▶ Brug ikke vandspray eller damp til at rengøre apparatet.
- ▶ Rengør ikke de kolde glashylder eller glaslågen med varmt vand. Pludselige temperaturændringer kan få glasset til at gå i stykker.
- ▶ Hvis du lader dit apparat stå ude af brug i længere tid, skal du lade det stå åbent for at forhindre ubehagelige lugte, der opstår inde i enheden.

### Information om kølemiddelgas



#### ADVARSEL!

Apparatet indeholder det brændbare kølemiddel ISOBUTAN (R600a). Sørg for, at kølemiddelkredsen ikke er beskadiget under transport eller installation. Lækkende kølemiddel kan forårsage øjenskader eller antænde. Hvis der er opstået en skade, skal du holde åbne brandkilder væk, ventilere rummet grundigt, ikke tilslutte eller frakoble apparatets eller andre apparaters netledninger. Informer kundeservice.

Hvis øjnene kommer i kontakt med kølemidlet, skylles de straks under rindende vand og øjenlægen straks kontaktes.

Køleanlægget er under højt tryk. Du må ikke pille ved det. Da der anvendes brændbare kølemidler, bedes du installere, håndtere og servicere apparatet strengt i henhold til instruktionerne og kontakte den professionelle agent eller vores eftersalgsservice for at bortskaffe apparatet.

Ved køleskabe med isvandsfunktion skal du være opmærksom på følgende advarsel:

- Ved apparater, der ikke er beregnet til at blive tilsluttet vandforsyningen: Fyld kun med drikkevand.
- For apparater beregnet til at blive tilsluttet vandforsyningen: Tilslut kun til drikkevandsforsyningen.
- Hvis du ønsker at rense vandsystemet, se venligst brugermanualen. Hvis du har spørgsmål, bedes du kontakte eftersalgsservice.

## Anvendelsesformål

Dette apparat er beregnet til køling og frysning af fødevarer. Det er udelukkende beregnet til brug i husholdninger og lignende formål såsom personalekøkkenområder i butikker, kontorer og andre arbejdsmiljøer: gårdhuse og af kunder på hoteller, moteller og andre boligmiljøer samt i bed-and-breakfast og cateringvirksomhed. Det er ikke beregnet til kommerciel eller industriel brug. Ændringer eller modifikationer af enheden er ikke tilladt. Utilsigtet brug kan forårsage farer og tab af garantikrav.

## Standarder og direktiver **CE** og **UKCA**

Dette produkt opfylder kravene i alle gældende EU-direktiver med de tilsvarende harmoniserede standarder, som gælder for CE- og UKCA-mærkning.

## Tilbehør

Tjek tilbehøret og dokumentationen i overensstemmelse med denne liste:

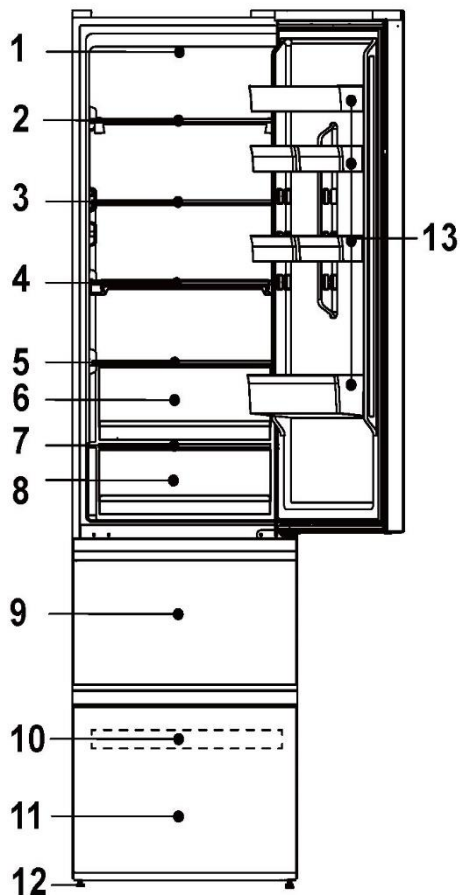


## **i** BEMÆRK

På grund af tekniske ændringer og forskellige modeller kan nogle af illustrationerne i denne manual afvige fra din model.

**i** BEMÆRK

På grund af tekniske ændringer og forskellige modeller kan nogle af illustrationerne i denne manual afvige fra model (HTW5620\*N\*)

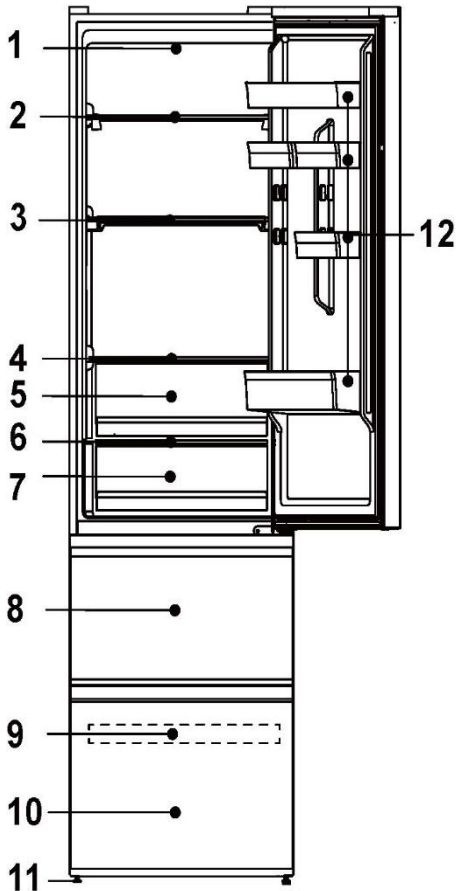


- 1-Køleskab LED lampe
- 2-Vinreol
- 3-Glashylde
- 4-Sammenklappelig hylde
- 5-Humidity Zone-bokslåg
- 6-Humidity Zone-boks
- 7-My Zone-bokslåg
- 8-My Zone-boks
- 9-Øverste fryzerskuffe
- 10-Frysebakke
- 11-Nederste fryzerskuffe
- 12-Justerbare fødder
- 13-Dørhylder



**i BEMÆRK**

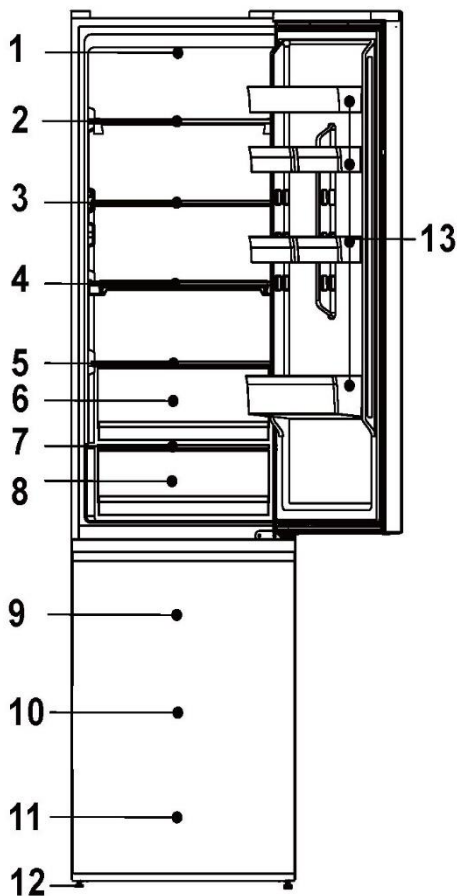
På grund af tekniske ændringer og forskellige modeller kan nogle af illustrationerne i denne manual afvige fra din modellen. (HTW5618\*N\*)



- 1-Køleskab LED lampe
- 2-Vinreol
- 3-Sammenklappelig hylde
- 4-Humidity Zone-bokslåg
- 5-Humidity Zone-boks
- 6-My Zone-bokslåg
- 7-My Zone-boks
- 8-Øverste fryserskuffe
- 9-Frysebakke
- 10-Nederste fryserskuffe
- 11-Justerbare fødder
- 12-Dørhylde

**i** BEMÆRK

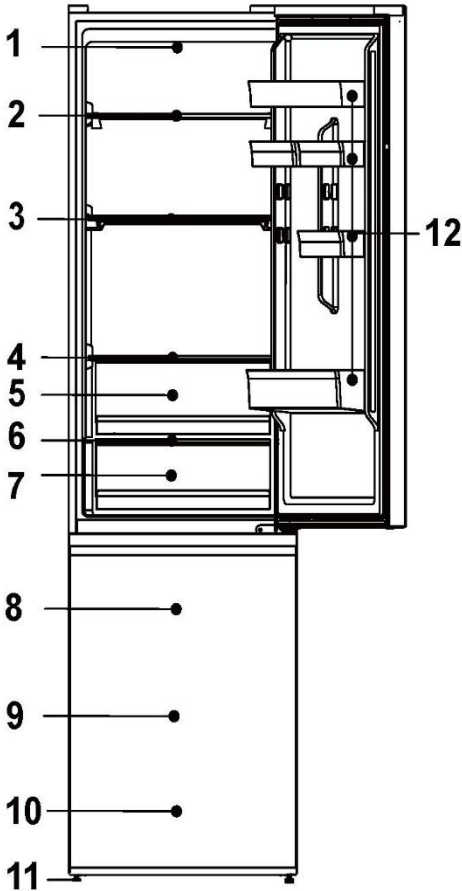
På grund af tekniske ændringer og forskellige modeller kan nogle af illustrationerne i denne manual afvige fra modellen. (HDPW5620\*N\*)



- 1-Køleskab LED lampe
- 2-Vinreol
- 3-Glashylde
- 4-Sammenklappelig hylde
- 5-Humidity Zone-bokslåg
- 6-Humidity Zone-boks
- 7-My Zone-bokslåg
- 8-My Zone-boks
- 9-Øverste fryserkuffe
- 10-Mellemste fryserkuffe
- 11-Nederste fryserkuffe
- 12-Justerbare fødder
- 13-Dørhylder

**i BEMÆRK**

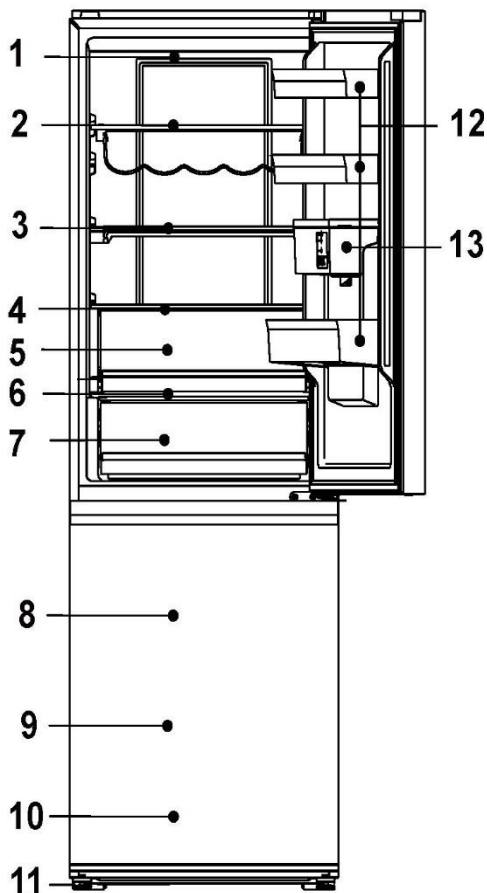
På grund af tekniske ændringer og forskellige modeller kan nogle af illustrationerne i denne manual afvige fra modellen.HDPW5618\*N\*)



- 1-Køleskab LED lampe
- 2-Vinreol
- 3-Sammenklappelig hylde
- 4-Humidity Zone-bokslåg
- 5-Humidity Zone-boks
- 6-My Zone-bokslåg
- 7-My Zone-boks
- 8-Øverste fryserkuffe
- 9-Mellemste fryserkuffe
- 10-Nederste fryserkuffe
- 11-Justerbare fødder
- 12-Dørhylde

**i** BEMÆRK

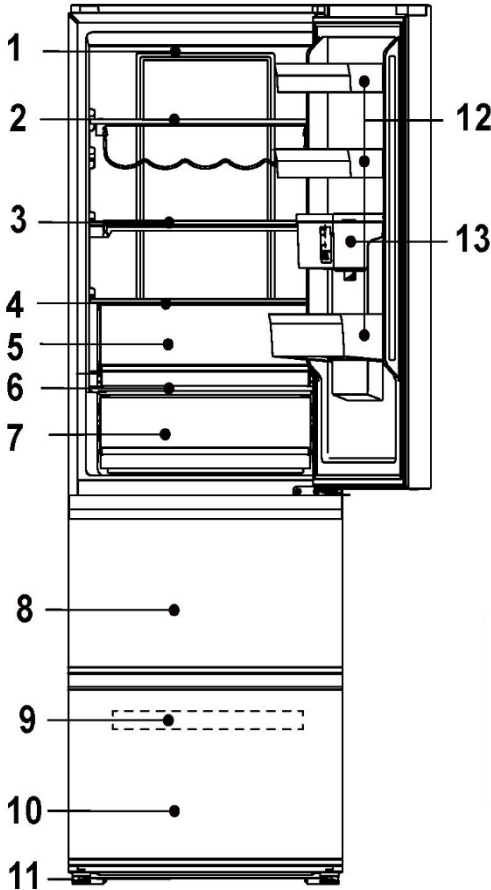
På grund af tekniske ændringer og forskellige modeller kan nogle af illustrationerne i denne manual afvige fra din modellen.(HDPW5618DW\*)



- 1-Køleskab LED lampe
- 2-Vinreol
- 3-Sammenklappelig hylde
- 4-Humidity Zone-bokslåg
- 5-Humidity Zone-boks
- 6-My Zone-bokslåg
- 7-My Zone-boks
- 8-Øverste fryzerskuffe
- 9-Mellemste fryzerskuffe
- 10-Nederste fryzerskuffe
- 11-Justerbare fødder
- 12-Dørhylde
- 13-Vandbeholder

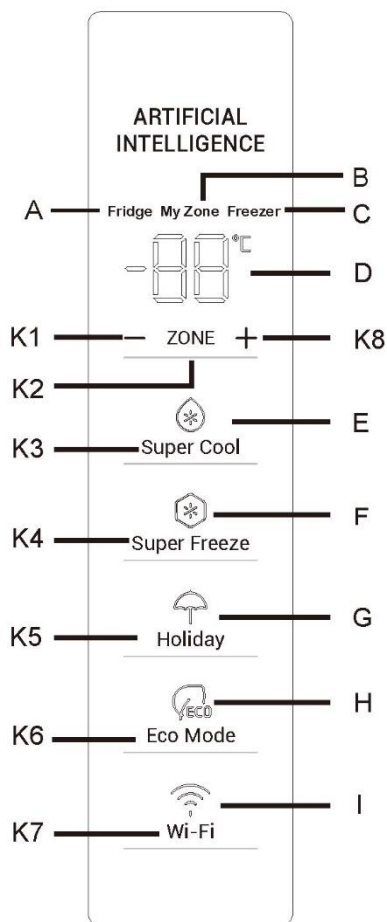
**i BEMÆRK**

På grund af tekniske ændringer og forskellige modeller kan nogle af illustrationerne i denne manual afvige fra modellen.(HTW5618DW\*)



- 1-Køleskab LED lampe
- 2-Vinreol
- 3-Sammenklappelig hylde
- 4-Humidity Zone-bokslåg
- 5-Humidity Zone-boks
- 6-My Zone-bokslåg
- 7-My Zone-boks
- 8-Øverste fryzerskuffe
- 9-Frysebakke
- 10-Nederste fryzerskuffe
- 11-Justerbare fødder
- 12-Dørhylder
- 13-Vandbeholder

## Betjeningspanel



### Knapper:

- A Kølerum
- B My Zone-rum
- C Fryserum
- D Temperaturvisning
- E Super Cool-funktion
- F Super Freeze-funktion
- G Holiday-funktion
- H Eco Mode-funktion
- I Wi-Fi-funktion

### Indikatorer:

- K1 Sænk temperaturen
- K2 Køleskab, My Zone og frysevalg
- K3 Super Cool funktion til/fra
- K4 Super Freeze funktion til/fra
- K5 Holiday-funktion til/fra
- K6 Eco Mode funktion til/fra
- K7 Wi-Fi funktion til/fra
- K8 Hæv temperaturen

## Før første brug

Fjern alle emballagematerialer, opbevar dem uden for børns rækkevidde og bortskaf dem på en miljøvenlig måde.

Rengør indersiden og ydersiden af apparatet samt interiør og tilbehør med vand og et mildt rengøringsmiddel, og tør det godt af med en blød klud.

Når apparatet er blevet nivelleret og rengjort, skal du vente i mindst 2 timer, før du tilslutter det til strømforsyningen. Se afsnittet INSTALLATION.

Forafkøl rummene ved høje indstillinger, før de fyldes med mad. Funktionen Super Freeze hjælper med at køle fryseafdelingen hurtigt ned

## Sensortaster

Knapperne på kontrolpanelet er sensortaster, som allerede reagerer ved let berøring med fingeren.

## Tænd/sluk apparatet

Apparatet er i drift, så snart det er tilsluttet strømforsyningen.

Når apparatet tændes for første gang, viser temperaturindikatorerne "D" de forudindstillede værdier (se nedenstående meddelelse).



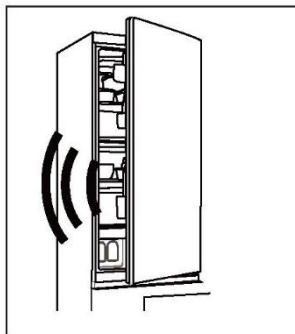
## BEMÆRK

Apparatet er forudindstillet til den anbefalede temperatur på 5°C (køleskab) og -18°C (fryser). My Zone-temperatur er forudindstillet til ca. 2°C. Dette er de anbefalede indstillinger. Hvis det ønskes, kan disse temperaturer ændres manuelt.

## Alarm for åben låge

Hvis lågen står åben længere end 3 minutter, høres alarmen for åben låge.

Alarmen kan afbrydes ved at lukke døren. Hvis døren er åben i mere end 7 minutter, slukker lyset inde i køleskabet og kontrolpanelets belysning automatisk.



Juster temperaturen

Temperaturerne i apparatet påvirkes af følgende faktorer:

Omgivelsestemperatur

Hypighed af døråbning

Mængden af opbevarede fødevarer

Installation af apparatet

### Juster temperaturen for køleskabet

1. Tryk på tasten "K2" (Køleskab/ (My Zone)/Fryservalg) for at vælge køleafdelingen. Ikon "A" (køleskab) og "D" (temperaturdisplay) lyser.
2. Tryk på tasten "K1/K8" for at indstille køleskabets temperatur.

Temperaturen stiger i trin på 1°C fra et minimum på 2°C til et maksimum på 8°C. Den optimale temperatur i køleskabet er 5°C. Koldere temperaturer betyder unødvendigt energiforbrug.

3. Efter ca. 5 sek. vil temperaturikonet "D" (temperaturdisplay) lyse permanent, og indstillingen er bekræftet.

DA

### BEMÆRK

Fra appen er det muligt at tilpasse temperaturen i både køleskabet og fryseren. Temperaturen kan indstilles med 1 °C følsomhed.

### Juster temperaturen til fryseren

1. Tryk på berøringstasten "K2" (Køleskab/ (My Zone)/Fryservalg) for at vælge fryseafdelingens °C-ikon "C" (Fryseafdeling) og "D" (Temperaturdisplay) lyser.
2. Tryk på berøringstasten "K1/K8" for at indstille frysertemperaturen.

Temperaturen stiger i trin på 1°C fra et minimum på -24°C til et maksimum på -16°C. Den optimale temperatur i køleskabet er -18. Koldere temperaturer betyder unødvendigt energiforbrug.

3. Efter ca. 5 sekunder vil temperaturindikator "D" (temperaturdisplay) lyse permanent, og indstillingen er bekræftet.

### BEMÆRK

Hvis der efter indstilling af temperaturen trykkes på andre taster inden for 5 sekunder, vil den aktuelle temperaturindstilling blive bekræftet med det samme. Hvis der ikke udføres nogen tastebetjening inden for 5 sekunder, vises den aktuelle indstillede temperatur, indtil skærmen slukkes.



## Juster temperaturen for My Zone

Kølerummet er udstyret med en My Zone-boks. I overensstemmelse med kravene til opbevaring af fødevarer kan den bedst egnede temperatur vælges for at opnå den optimale næringsværdi af fødevarerne.

1. Tryk på tasten "K2" (Køleskab/ (My Zone)/Fryservalg) for at vælge My Zone-rummet. Ikonet "B" (My Zone-rum) og "D" (temperaturdisplay) lyser. Det kan også vælges fra appen.
2. Tryk på berøringstasten "K1/K8" for at indstille My Zone-temperaturen. Temperaturen kan også justeres på appen.

Temperaturen stiger i trin på 1°C, fra et minimum på 0°C til et maksimum på 5°C.

3. Efter ca. 5 sek. vil temperaturikonet "D" (temperaturdisplay) lyse permanent, og indstillingen er bekræftet.



### BEMÆRK

1. Du kan indstille temperaturen på My Zone-rummet i mellemste niveau (2°C), for at bevare din mad i det optimale opbevaringsmiljø.
2. På grund af forskelligt vandindhold i kød vil noget kød med højere fugtighed blive frosset ved temperaturer lavere end 0°C, så "straks skåret" kød skal opbevares i My Zone-boksen, med minimumstemperatur 0°C.
3. Kuldefølsom frugt som ananas, avocado, bananer, grapefrugter og grøntsager som kartofler, auberginer, bønner, agurker, zucchini og tomater og ost bør ikke opbevares i My Zone-boksen.
4. Hvis køleskabets temperatur er lavere end My Zone-temperaturen, er det normalt, at My Zone-temperaturen er lavere end My Zone-indstillingstemperaturen.

## Super-Cool-funktion

1. Det foreslås at slå Super Cool-funktionen til, hvis en stor mængde mad skal opbevares (f.eks. efter indkøbet). Super Cool-funktionen fremskynder kølingen af friske fødevarer og beskytter de varer, der allerede er oplagret, mod uønsket opvarmning.
2. Tryk på tasten "K3" eller tænd den fra appen, ikonet "E" (Super Cool funktion) lyser, og funktionen er aktiveret.

**i BEMÆRK**

1. Apparatet afslutter "Super Cool funktion" efter at have gået ind i "Super Cool funktion" i 6 timer, eller tryk på tasten "K3", når ikonet "E" (Super Cool funktion) lyser, eller sluk det fra appen.
2. Hvis temperaturen i køleskabet i tilstanden Super Cool er justeret, blinker ikonet "E" (Super Cool funktion) for at angive, at denne handling ikke kan udføres.

**Super-Frz funktion**

1. Friske fødevarer skal indfryses til kernen så hurtigt som muligt. Dette kan bevare den bedste næringsværdi, udseende og smag. Super Freeze-funktionen fremskynder indfrysningen af friske fødevarer og beskytter de varer, der allerede opbevares, mod uønsket opvarmning. Hvis du har brug for at fryse en stor mængde mad på én gang, anbefales det at aktivere Super Freeze-funktionen i 24 timer før brug af frostrum.
2. Tryk på tasten "K4" (indstilling af Super Freeze-funktion) eller tænd den fra appen, ikonet "F" (Super Freeze-funktion) lyser, og funktionen er aktiveret.

**i BEMÆRK**

1. Apparatet afslutter "Super Freeze funktion" efter at have kørt i "Super Freeze funktion" i 50 timer, eller tryk på knappen "K4", når ikonet "F" (Super Freeze funktion) lyser, eller sluk det fra appen.
2. Hvis temperaturen i fryserummet er justeret i tilstanden Super Freeze, blinker ikonet "F" (Super Freeze-funktion) for at angive, at denne handling ikke kan udføres.

**Holiday-funktion**

Holiday-funktionen kan bruges til at reducere apparatets energiforbrug, når det ikke bruges regelmæssigt. Når funktionen er slået til, tændes køleskabet, hvorimod fryseren fortsætter med at fungere normalt. Funktionen indstiller køleskabstemperaturen permanent til 17°C.

Dette gør det muligt at holde døren til det tomme køleskab lukket uden at forårsage lugt eller skimmelsvamp under længere tids fravær (f.eks. under ferie). Fryseafdelingen er fri til din indstilling.

1. Tryk på tasten "K5" (Holiday-funktion til/fra) eller vælg funktionen fra App'en, ikonet "G" (Holiday-funktion) lyser og funktionen er aktiveret.
2. Funktionen kan deaktiveres ved at trykke på tasten "K5" (Holiday-funktion til/fra) igen eller ved at indstille køleskabstemperaturen eller ved at udføre en hvilken som helst anden indstilling eller slukke den fra appen.

## BEMÆRK

1. I Holiday-funktionen må der ikke opbevares mad i køleskabet. Temperaturen på + 17°C er for høj til opbevaring af fødevarer.
2. Når feriefunktionen er aktiveret, forbliver My Zone-ikonet slukket, og køleskabsfunktionen er låst. Hvis temperaturen i køleskabet justeres, blinker ikonet "G" (Holiday-funktion) for at angive, at denne handling ikke kan udføres.

## Eco Mode funktion

Eco Mode kan aktiveres for at optimere apparatets ydeevne, mens du opnår den bedste fødevareropbevaring. Hvis du ikke har nogle særlige krav, anbefaler vi, at du bruger Eco Mode-funktionen.

I denne tilstand er køleskabstemperaturen 5°C, og frysetemperaturen er -18°C.




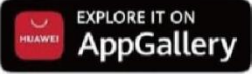


1. Tryk på tasten "K6" (Eco Mode funktion til/fra) eller vælg funktionen fra appen.
2. Ikonet "H" (Eco Mode-funktion) lyser, og funktionen er aktiveret.

Ved at gentage ovenstående trin eller vælge en anden funktion eller slukke fra appen, kan denne funktion slås fra igen. De tidligere indstillede køleniveauer gendannes.

## BEMÆRK

Hvis temperaturen i køle-/fryseafdelingen er justeret under Eco Mode-funktionen, blinker ikonet "H" (Eco Mode-funktion) for at angive, at denne handling ikke kan udføres.

Trin 1 Download hOn-app'en i butikkerne.

|                                                                                                                                                                                                                                                                                                                                         |                                                                                                                                         |
|-----------------------------------------------------------------------------------------------------------------------------------------------------------------------------------------------------------------------------------------------------------------------------------------------------------------------------------------|-----------------------------------------------------------------------------------------------------------------------------------------|
|     |                                                                                                                                         |
| <p>Trin 2 Opret din konto i hOn-app'en eller log ind, hvis du allerede har en konto.</p>                                                                                                                                                               | <p>Trin 3 Følg parringsvejledningen i hOn-app'en.</p>  |

### Wi-Fi-funktion

1. Følg instruktionerne i app'en for at konfigurere Wi-Fi.
2. Når Wi-Fi er konfigureret og forbindelsen etableret, er Wi-Fi "I"-ikonet tændt og rettet.
3. Hvis Wi-Fi allerede er konfigureret, vil det automatisk genoprette forbindelse igen i henhold til konfigurationsoplysningerne, hvis Wi-Fi aktiveres.

### BEMÆRK

1. For at slukke for Wi-Fi skal du trykke på Wi-Fi-tasten "K7", og Wi-Fi-ikonet "I" slukkes.
2. For at tænde for Wi-Fi og starte konfigurationen skal du trykke på Wi-Fi-tasten "K7", og Wi-Fi-ikonet "I" begynder at blinke langsomt. Hvis du vil konfigurere Wi-Fi-funktionen, skal du trykke på tasten "K7" i 3 sek., Wi-Fi-ikonet blinker hurtigt og går i konfigurationstilstand. Hvis du vil slå Wi-Fi-funktionen fra, skal du trykke på tasten "K7" én gang. Ovenstående trin gentages.
3. Hvis produktet er blevet konfigureret, og Wi-Fi-funktionen var slået fra, vil køleskabet ikke gå i konfigurationstilstand, når det er tilsluttet igen

### BEMÆRK

1. Dette produkt er ikke beregnet til kommerciel brug.
2. Den maksimale RF-udgangseffekt: 2,4 GHz Wi-Fi: 16 dBm;
3. Bluetooth LE:5dBm; Bluetooth (BR/EDR):10dBm.
4. Driftsfrekvensbånd: 2400-2483,5 MHz.

## Opbevaring i køleskabet

Hold køleskabstemperaturen under 5 °C.

Varm mad skal køle ned til stuetemperatur, før det sættes i køleskabet.

Madvarer, der opbevares i køleskabet, skal vaskes og tørres før opbevaring.

Madvarer, der skal opbevares, skal pakkes forsvarligt ind for at undgå lugt eller smagsændring.

Opbevar ikke for store mængder mad. Gør plads mellem fødevarerne, så kold luft kan cirkulere omkring dem, for en bedre og mere ensartet køling.

Mad, der spises dagligt, skal opbevares foran på hylden.

Sørg for et mellemrum mellem madvarerne og de indvendige vægge, så luften kan cirkulere. Opbevar på ingen måde madvarer mod bagvæggen: madvarer kan fryse mod bagvæggen. Undgå direkte kontakt mellem fødevarer (især olieholdige eller sure fødevarer) med den indvendige beklædning, da olie/syre kan erodere den indvendige beklædning. Fjern olieagtigt/surt snavs, når det er fundet.

Frosne madvarer kan forsigtigt afkøles i køleskabet. Dette sparer energi.

Ældningsprocessen for frugt og grøntsager som courgetter, meloner, papaya, bananer, ananas osv. kan fremskyndes i køleskabet. Derfor anbefales det ikke at opbevare dem i køleskabet. Modningen af stærkt grønne frugter kan dog fremmes i en vis periode. Løg, hvidløg, ingefær og andre rodfrugter skal også opbevares ved stuetemperatur.

Ubehagelige lugte inde i køleskabet er et tegn på, at der er spildt noget, og at rengøring er påkrævet. Se Pleje og rengøring.

Forskellige fødevarer bør placeres i forskellige områder i henhold til deres egenskaber.

## Opbevaring i fryseren

Hold frysertemperaturen på -18 °C.

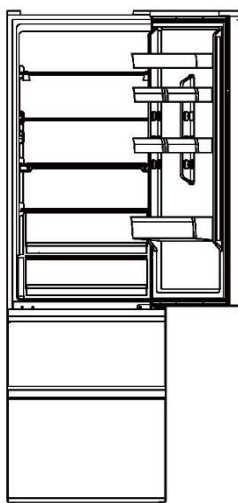
Tænd for Super-Freeze-funktionen 24 timer før frysning. For små mængder mad er 4-6 timer tilstrækkeligt.

Varm mad skal køle ned til stuetemperatur, før det sættes i fryseren.

Mad, der er delt op i mindre portioner, fryses hurtigere og er nemmere at tø op og tilberede. Den anbefalede vægt for hver portion er under 2,5 kg

Det er bedre at pakke maden, inden den lægges i fryseren. Ydersiden af emballagen skal være tør for at undgå, at poser klistrer sammen. Emballagen skal være lugtfri, lufttæt, ikke-giftig.

For at undgå udløb af opbevaringsperioder bedes du notere indfrysningsdatoen, tidsgrænsen og navnet på fødevarerne på emballagen i henhold til opbevaringsperioderne for forskellige fødevarer.



## ADVARSEL!

- ▶ Syrer, baser og salt osv. kan erodere fryserens indre overflade.
- ▶ Anbring ikke mad med disse stoffer (f.eks. havfisk) direkte på den indvendige beklædning. Saltvand i fryseren skal straks renses af.
- ▶ Undlad at overskride den opbevaringstid, producenten anbefaler for maden. Tag kun den nødvendige mængde mad ud af fryseren.
- ▶ Spis optøet mad hurtigt. Optøede fødevarer kan ikke genfryses, medmindre de først er tilberedt, ellers kan de være mindre spiselige.
- ▶ Læg ikke for store mængder ferskvarer i fryseren. Se fryserens frysekapacitet - Se TEKNISKE DATA eller data på typeskiltet.
- ▶ Madvarer kan opbevares i fryseren ved en temperatur på mindst  $-18^{\circ}\text{C}$  i 2 til 12 måneder afhængigt af egenskaberne (f.eks. kød: 3-12 måneder, grøntsager: 6-12 måneder)
- ▶ Når du fryser friske fødevarer, skal du undgå at bringe dem i kontakt med allerede frosne fødevarer. Risiko for optøning!

### **Når du opbevarer kommercielt frosne fødevarer, skal du følge disse retningslinjer:**

Følg altid producentens retningslinjer for, hvor længe du bør opbevare madvarer. Overskrid ikke disse retningslinjer!

Prøv at holde tiden mellem køb og opbevaring så kort som muligt for at bevare fødevarerens kvalitet.

Køb frosne fødevarer, som har været opbevaret ved en temperatur på  $-18^{\circ}\text{C}$  eller derunder.

Undgå at købe madvarer, der har is eller frost på emballagen - Dette indikerer, at produkterne kan være blevet delvist optøet og genfrosset på et tidspunkt, hvor temperaturstigningen påvirker kvaliteten af fødevarerne.

## Vanddispenser

Med vanddispenseren kan der tappes køligt drikkevand.

Vandbeholderen skal rengøres før første brug (se PLEJE OG RENGØRING).

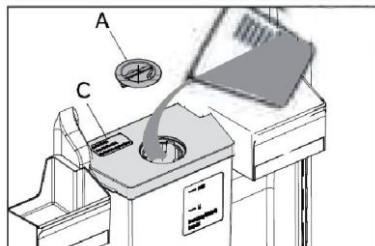
### Fyldning af vandbeholderen



## ADVARSEL!

► Brug kun drikkevand.

1. Sørg for, at vandbeholderen er korrekt isat (se UDSTYR)
2. Drej og løft det runde låg (A) og hæld frisk drikkevand i vandbeholderen (Fig.5.10.1).
3. Fyld kun vand op til mærket (2,5 L); da det kan løbe over, når døren åbnes og lukkes.
4. Luk det runde låg (A), indtil det klikker på plads.



DA



## BEMÆRK

1. Apparatet afslutter "Super Cool funktion" efter at have gået ind i "Super Cool funktion" i 6 timer, eller tryk på tasten "K3", når ikonet "E" (Super Cool funktion) lyser, eller sluk det fra appen.
2. Hvis temperaturen i køleskabet i tilstanden Super Cool er justeret, blinker ikonet "E" (Super Cool funktion) for at angive, at denne handling ikke kan udføres.



### Energisparetips

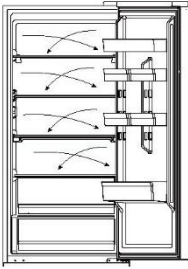
- ▶ Sørg for, at apparatet er korrekt ventileret (se INSTALLATION).
- ▶ Installer ikke apparatet i direkte sollys eller i nærheden af varmekilder (f.eks. komfurer eller varmeapparater).
- ▶ Undgå unødigt lav temperatur i apparatet. Energiforbruget stiger i takt med at den indstillede temperatur i apparatet falder.
- ▶ Funktioner som SUPER FREEZE bruger mere energi.
- ▶ Lad varm mad køle af, før den sættes i apparatet.
- ▶ Åbn apparatdøren så lidt og kortvarigt som muligt.
- ▶ Overfyld ikke apparatet for at undgå at blokere luftstrømmen.
- ▶ Undgå luft i fødevareemballagen.
- ▶ Hold dørtætninger rene, så døren altid lukker korrekt.
- ▶ Optø frosne madvarer i køleskabets opbevaringsrum eller brug D-Frost-funktionen i My Zone-boksen.
- ▶ Den mest energibesparende konfiguration kræver, at skuffe, madkasse og hylder placeres i apparatet i en fabriksny tilstand, og at mad skal placeres uden at blokere luftudtaget fra kanalen.





## Bemærk

På grund af forskellige modeller har dit produkt muligvis ikke alle følgende funktioner. Se kapitlet Produktbeskrivelse.I.

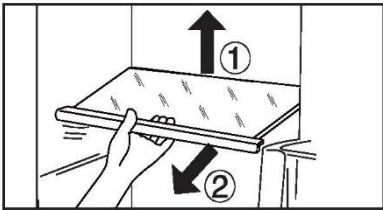


### Multi-luftstrømning

Køleskabet er udstyret med et multi-air-flow system, hvor der er kølige luftstrømme på hvert hyldeniveau. Dette er med til at holde en ensartet temperatur for at sikre, at din mad holdes friskere i længere tid

### Justerbare hylder

1. Højden på hylderne kan justeres, så de passer til dine opbevaringsbehov.
2. For at flytte en hynde skal du først fjerne den ved at løfte dens bagkant ① og trække den ud ②.
3. For at geninstallere den skal du sætte den på tappene på begge sider og skubbe den til den bageste position, indtil den bagerste del af hylden er fastgjort inde i hullerne i siderne



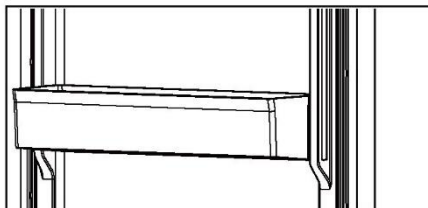
## Bemærk

Sørg for, at alle ender af en hynde er i vater.

### Aftagelig dørhylde

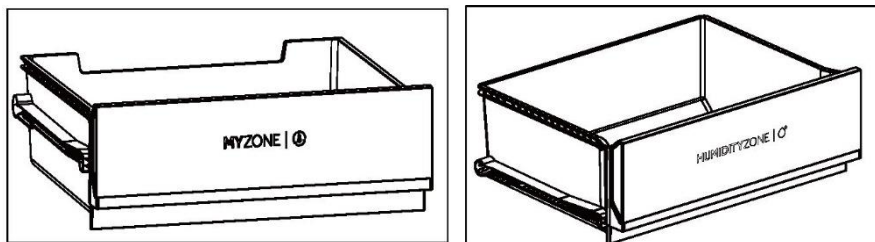
Dørhylden kan tages af for rengøring:

Læg hænderne på hver side af hylden, løft den opad (1) og træk den ud (2). For at sætte dørhylden på plads udføres ovenstående trin i omvendt rækkefølge.



## My Zone-boks

For brug og indstilling af My Zone-rummet, henvises til afsnittet BRUG (My Zone).



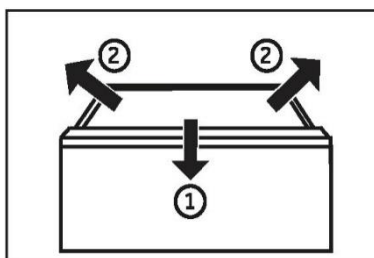
## Humidity Zone-boks

I dette rum styres fugtighedsniveauet automatisk af systemet, og det er velegnet til opbevaring af frugt, grøntsager, salater osv.

## Aftagelig skuffe

For at tage skuffen ud af køleskabet eller fryseren, trækkes den så langt ud, den kan komme (1), løftes og fjernes (2).

For at sætte skuffen på plads udføres ovenstående trin i omvendt rækkefølge.



## Fryseskuffe

Fryseskuffen kan trækkes lige og helt ud. De er monteret på let rulle teleskopskinne. Så du kan opbevare og fjerne frysevarer komfortabelt. På grund af den automatiske dørlukningsmekanisme er håndteringen nem, og du kan spare energi.

**ADVARSEL!**

Overbelast ikke skufferne: Maksimal belastning af hver skuffe: 35 kg!

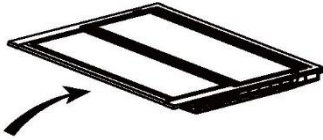
**Lyset**

Indvendigt LED lys tændes, når døren er åben. Lysets ydeevne påvirkes ikke af andre apparatindstillinger.

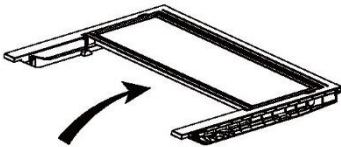
**Foldbare hylder**

De foldbare hylder giver brugeren mulighed for at stille høje flasker eller genstande på hylderne. Hylderne kan foldes sammen bagtil, og den ledige plads på den nederste hyld bliver større. Hylden kan foldes ved at følge trin 1-3. Hvis du vil vende tilbage til den oprindelige placering, skal du gøre følgende omvendt.

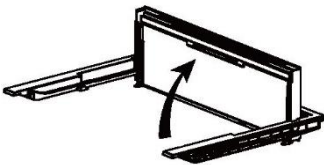
DA



Trin 1: Skub hyldefronten langsomt til enden.



Trin 2: Skub hylden langsomt opad til dens lodrette placering.



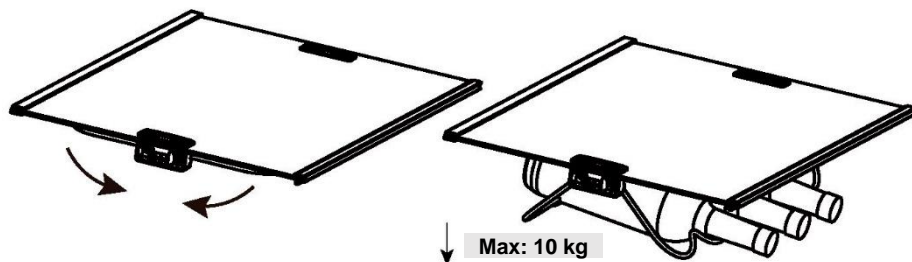
Trin 3: Hylden er lodret. Det vil spare plads.

## Foldbar flaskeholder

Til normal brug

1. Træk flaskeholderens beslag ned
2. Sæt flaskerne i stativet

Når den ikke er i brug, kan flaskeholderen foldes tilbage for at spare plads.



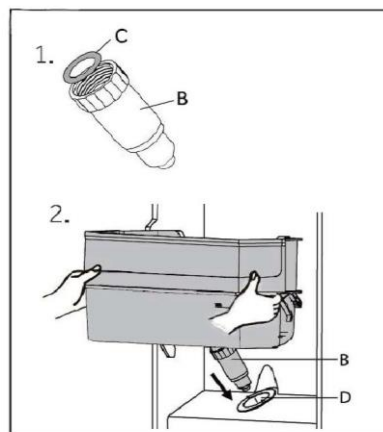
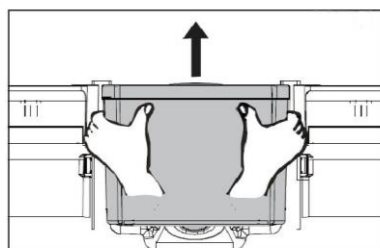
## Vandbeholder

### Fjern vandbeholderen

Vandbeholderen kan fjernes og geninstalleres til rengøring på samme måde som dørstaterne.

### Indsæt vandtanken

1. Sørg for, at dispensertuden (B) er skruet godt fast til vandbeholderen, og at den hvide O-ring (C) er på plads.
2. Placer vandbeholderen i den position, hvor dispensertuden (B) passer ind i åbningen af døren (D).



### **i** Bemærk

- ▶ Sørg for, at tuden er skruet godt fast på vandbeholderen, og at den hvide O-ring (C) er på plads.
- ▶ Hvis vandbeholderen ikke er sat rigtigt i, kan der dryppe vand fra tilslutningen.
- ▶ Brug ikke overdreven kraft, når du fjerner eller installerer vandbeholderen, for at undgå at beskadige beholderen.



## ADVARSEL!

Afbryd køleskabet/fryseren fra stikkontakten før rengøring.

### Rengøring

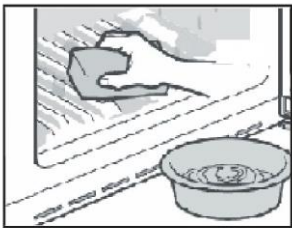
Rengør apparatet, når der kun opbevares få eller ingen madvarer.

Køleskabet/fryseren skal rengøres hver fjerde uge for god vedligeholdelse og for at forhindre dårlig madlugt.



## ADVARSEL!

- ▶ Rengør ikke apparatet med hårde børster, stålbørster, vaskepulver, benzin, amyloacetat, acetone og lignende organiske opløsninger, sure eller alkaliske opløsninger. Rengør venligst med specielt køleskabsrengøringsmiddel for at undgå skader.
- ▶ Undlad at sprøjte eller skylle apparatet under rengøring.
- ▶ Brug ikke vandspray eller damp til at rengøre apparatet.
- ▶ Undlad at rense de kolde glashylder i varmt vand. Pludselige temperaturændringer kan få glasset til at knække.
- ▶ Rør ikke ved den indvendige overflade af fryserens opbevaringsrum, især med våde hænder, da dine hænder kan fryse fast på overfladen.
- ▶ I tilfælde af temperaturstigning kontrolleres tilstanden af frostvarerne.



- ▶ Hold altid dørpakningen ren.
- ▶ Rengør apparatets inderside og hus med en svamp fugtet i varmt vand og et neutralt rengøringsmiddel.
- ▶ 1. Skrub køleskabet indvendigt og udvendigt, inklusive dørforsegling, dørreol, glashylder, kasser og andet med et blødt håndklæde eller en svamp dyppet i varmt vand (du kan tilsætte et neutralt rengøringsmiddel i det varme vand).
- ▶ 2. Hvis der er spildt væske, skal du fjerne alle de forurenede dele, skylle direkte med rindende vand, tørre og stille det tilbage i køleskabet.
- ▶ 3. Hvis der er spildt fløde (såsom fløde, smeltende is), skal du fjerne alle de forurenede dele, komme i det varme vand med ca. 40°C i nogen tid, derefter skylle med rindende vand, tørre og lægge det tilbage i køleskabet.
- ▶ 4. Hvis en lille del eller komponent sætter sig fast inde i køleskabet (mellem hylder eller skuffer), skal du bruge en lille blød børste til at frigøre den. Hvis du ikke kunne nå delen, bedes du kontakte Haier service
- ▶ Skyl og tør efter med en blød klud.
- ▶ Undlad at vaske nogen af de løse dele i en opvaskemaskine.
- ▶ Lad der gå mindst 5 minutter, før køleskabet/fryseren startes igen, da hyppige starter kan beskadige kompressoren.

Afrimning

Optøning af køleskab og fryserum sker automatisk: Ingen manuel betjening er påkrævet.

### Udskiftning af LED-lamper



#### **ADVARSEL!**

Udskift ikke LED-lampen selv, den må kun udskiftes af enten producenten eller den autoriserede serviceagent.

Lamperne anvender LED som lyskilde, med lavt energiforbrug og lang levetid. Hvis der er noget unormalt, bedes du kontakte kundeservice. Se KUNDESERVICE.

Specifikationer for lamperne:

| Del                     | LED lampe |
|-------------------------|-----------|
| Spænding i V            | 12V       |
| Max effekt i W          | 1,5W      |
| LED Spec                | Hvid-2835 |
| LED effektivitetsklasse | G         |
| Brugstemperatur         | -40-80°C  |

#### **Ude af brug i længere tid**

Hvis apparatet ikke bruges i længere tid, og du ikke vil bruge Holiday-funktionen til køleskabet:

Tag maden ud.

Tag stikket ud.

Rengør apparatet som beskrevet ovenfor.

Hold dørene åbne for at forhindre dannelsen af dårlig lugt i apparatet.



#### **Bemærk**

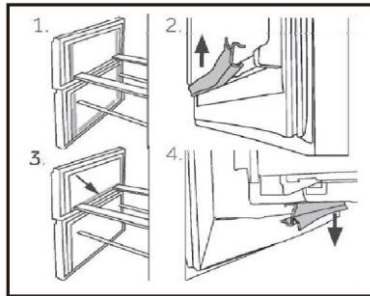
Sluk kun for apparatet, hvis det er strengt nødvendigt.

### Aftagelige ekstra dørpakninger

Der er seks ekstra dørpakninger på de øvre og nedre fryseskuffer.

1. Find de fem angivne dørpakninger på de øvre og nedre fryseskuffer.
2. Sørg for, at de bøjede skiver af pakningerne peger indad, mens de fastgøres.
3. Find den nederste pakning på den øverste skuffe som vist.
4. Sørg for, at den bøjede skive på denne pakning peger nedad, mens den monteres.

Disse pakninger samt svingdøren/skuffepakningerne får du via kundeservice (se garantibevis).



### Flytning af apparatet

1. Fjern alle madvarer og tag køleskabet/fryseren fra stikkontakten.
2. Fastgør hylder og andre bevægelige dele i køleskabet og fryseren med tape.
3. Undlad at vippe køleskabet mere end 45° for at undgå at beskadige kølesystemet.

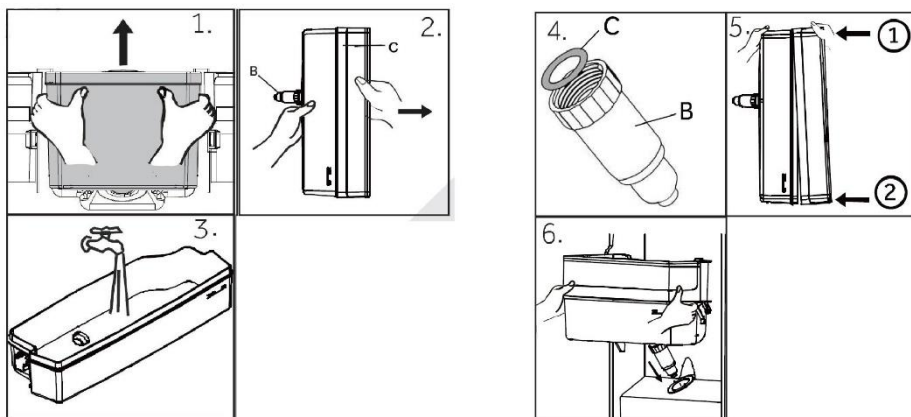


### ADVARSEL!

- ▶ Løft ikke apparatet i håndtagene.
- ▶ Læg aldrig apparatet vandret ned på jorden.

### Rengøring af vandbeholderen

1. Tag vandbeholderen ud af apparatet.
2. Fjern låget (C), og skru forsigtigt dispensertuden (B) af.
3. Rengør vandbeholderen og dispensertuden med varmt rindende vand og flydende opvaskemiddel. Sørg for, at al sæbe er skyllet af
4. Monter dispensertuden (B) og sørg for, at den er skruet godt fast i vandbeholderen, og den hvide O-ring (C) er på plads.
5. Tryk på dækslet for at kombinere det med den ene side af vandbeholderen og derefter den anden side, kontroller, at vandbeholderen og dækslet er samlet.
6. Sæt beholderen på plads inde i apparatet. Sørg for, at dispensertuden er sat korrekt ind i hullet på døren.



### **i** Bemærk

- ▶ Hvis vandbeholderen ikke er sat rigtigt i, kan der dryppe vand fra tilslutningen.
- ▶ Brug ikke overdreven kraft, når du fjerner eller installerer vandbeholderen, for at undgå at beskadige beholderen.



Mange opståede problemer kan du selv løse uden særlig ekspertise. Prøv alle muligheder i tilfælde af problemer og følg nedenstående vejledning, før du kontakter et serviceværksted. Se KUNDESERVICE.



### ADVARSEL!

- ▶ Før vedligeholdelse skal du slukke for apparatet og tage stikket ud af stikkontakten.
- ▶ Elektrisk udstyr bør kun serviceres af kvalificerede elektrikere, da forkerte reparationer kan forårsage betydelige følgeskader.
- ▶ En beskadiget netledning må kun udskiftes af producenten, dennes serviceagent eller en lignende kvalificeret fagperson for at undgå fare.

DA

### Fejlfindingstabel

| Problem                                               | Mulig årsag                                                   | Mulig løsning                                                                                                                                          |
|-------------------------------------------------------|---------------------------------------------------------------|--------------------------------------------------------------------------------------------------------------------------------------------------------|
| Kompressoren virker ikke.                             | Lysnetledningen er ikke sat i stikkontakten.                  | Tilslut lysnetstikket.                                                                                                                                 |
|                                                       | Apparatet er i afrimningscyklus.                              | Dette er normalt for en automatisk afrimning.                                                                                                          |
| Køleskabet kører ofte eller i for lang tid ad gangen. | Inde- eller udetemperaturen er for høj.                       | I sådanne tilfælde er det normalt, at apparatet kører længere.                                                                                         |
|                                                       | Apparatet har været uden strøm i nogen tid.                   | Normalt tager det 8 til 12 timer, før apparatet er kølet helt ned til køle/frysetemperatur.                                                            |
|                                                       | En låge/skuffe i køleskabet/fryseren er ikke lukket tæt.      | Luk lågen/skuffen og kontroller, at apparat er sat på et vandret underlag, og at der ikke er mad eller emballage, der spærrer for døren.               |
|                                                       | Lågen/skuffen har været åbnet for ofte eller for længe.       | Åbn ikke lågen/skuffen for ofte.                                                                                                                       |
|                                                       | Temperaturindstillingen for fryseafdelingen er for lav.       | Indstil temperaturen højere, indtil der opnås en tilfredsstillende køleskabstemperatur. Det tager 24 timer for køleskabets temperatur at blive stabil. |
|                                                       | Dør-/skuffepakningen er snavset, slidt, revnet eller forkert. | Rengør lågen/skuffepakningen eller lad kundeservice udskifte dem.                                                                                      |
|                                                       | Den nødvendige luftcirkulation er ikke garanteret.            | Sørg for tilstrækkelig ventilation.                                                                                                                    |

## Fejlfinding

| Problem                                                                              | Mulig årsag                                                 | Mulig løsning                                                           |
|--------------------------------------------------------------------------------------|-------------------------------------------------------------|-------------------------------------------------------------------------|
| Køleskabsrummet er snavset og/eller lugter.                                          | Køleskabsrummet skal rengøres.                              | Rengør køleskabsrummet indvendigt.                                      |
|                                                                                      | Der opbevares mad med stærkt lugt i køleskabet.             | Pak maden omhyggeligt ind.                                              |
| Det er ikke koldt nok inde i apparatet.                                              | Temperaturen er stillet for højt.                           | Nulstil temperaturen                                                    |
|                                                                                      | Der er blevet opbevaret for varm mad.                       | Køl altid madvarer ned, før de opbevares.                               |
|                                                                                      | Der er blevet lagt for meget mad ind på én gang.            | Opbevar altid små mængder mad.                                          |
|                                                                                      | Fødevarerne ligger for tæt på hinanden.                     | Efterlad et mellemrum mellem flere fødevarer, så luften kan strømme.    |
|                                                                                      | En låge/skuffe i køleskabet/fryseren er ikke lukket tæt.    | Luk lågen/skuffen.                                                      |
|                                                                                      | Lågen/skuffen har været åbnet for ofte eller for længe.     | Åbn ikke lågen/skuffen for ofte.                                        |
| Det er for koldt inde i apparatet.                                                   | Temperaturen er indstillet for lavt.                        | Nulstil temperaturen.                                                   |
|                                                                                      | Super Freeze-funktionen er aktiveret eller kører for længe. | Sluk for Super Freeze-funktionen.                                       |
| Fugtdannelse i køleskabsrummet.                                                      | Klimaet er for varmt og fugtigt.                            | Forhøj temperaturen.                                                    |
|                                                                                      | En låge/skuffe i køleskabet/fryseren er ikke lukket tæt.    | Luk lågen/skuffen.                                                      |
|                                                                                      | Lågen/skuffen har været åbnet for ofte eller for længe.     | Åbn ikke lågen/skuffen for ofte.                                        |
|                                                                                      | Madbøtter eller flasker står åbne.                          | Lad varm mad køle ned til stuetemperatur, og tildæk madvarer og væsker. |
| Der samler sig fugt på køleskabets yderside eller mellem lågen/lågerne og skufferne. | Klimaet er for varmt og fugtigt.                            | Dette er normal i fugtigt vejr og ændrer sig, når luftfugtigheden øges. |
|                                                                                      | Lågen/skuffen er ikke lukket tæt til.                       | Kontroller, at lågen/skuffen er lukket tæt til.                         |

| Problem                                                  | Mulig årsag                                                      | Mulig løsning                                                                           |
|----------------------------------------------------------|------------------------------------------------------------------|-----------------------------------------------------------------------------------------|
| Kraftig is- og rimdannelse i fryserummet.                | Madvarerne er ikke tilstrækkeligt indpakket.                     | Pak altid maden godt ind.                                                               |
|                                                          | En låge/skuffe i køleskabet/fryseren er ikke lukket tæt.         | Luk lågen/skuffen.                                                                      |
|                                                          | Lågen/skuffen har været åbnet for ofte eller for længe.          | Åbn ikke lågen/skuffen for ofte.                                                        |
|                                                          | Dør-/skuffepakningen er snavset, slidt, revnet eller forkert.    | Rengør lågen/skuffepakningen eller udskift dem med nye.                                 |
|                                                          | Noget på indersiden forhindrer lågen/skuffen i at lukke korrekt. | Flyt hylderne, dørstativerne eller de indvendige beholdere, så døren/skuffen kan lukke. |
| Apparatet afgiver unormale lyde.                         | Apparatet er ikke placeret på et plant, vandret underlag.        | Juster fødderne for at nivellere apparatet.                                             |
|                                                          | Apparatet rører ved en genstand omkring det.                     | Fjern genstande omkring apparatet.                                                      |
| Der høres en let lyd svarende til strømmende vand.       | Dette er normalt.                                                | /                                                                                       |
| Du vil høre et alarmbip.                                 | Køleskabslågen står åben.                                        | Luk lågen eller afstil alarmen manuelt.                                                 |
| Du vil høre en svag brummen.                             | Anti-kondenssystemet virker.                                     | Dette forhindrer kondens og er normalt.                                                 |
| Den indvendige belysning eller køleanlægget virker ikke. | Lysnetledningen er ikke sat i stikkontakten                      | Tilslut lysnetstikket.                                                                  |
|                                                          | El-installationen er defekt.                                     | Tjek el-installationen til rummet. Ring til det lokale elselskab!                       |
|                                                          | LED-lampen virker ikke.                                          | Tilkald teknisk assistance til udskiftning af lampen.                                   |
| Siderne af skabet og dørlisten bliver varme.             | Dette er normalt.                                                | /                                                                                       |
| Der kommer ikke vand ud af vanddispenserens udløb        | Låsen er ikke deaktiveret.                                       | Deaktiver låsen                                                                         |

### Strømafbrudelse

- ▶ I tilfælde af strømafbrudelse skal maden forblive sikker kold i ca. 13 timer. Følg disse tip ved længere tids strømafbrudelse, især om sommeren.
- ▶ Åbn lågen/skufferne så få gange som muligt.
- ▶ Læg ikke flere madvarer i apparatet under strømafbrudelsen.
- ▶ Hvis der på forhånd er givet besked om en strømafbrudelse, og afbrudelsens varighed er længere end 13 timer, skal du lave noget is og lægge det i en skål på køleskabets øverste hylde.
- ▶ Et eftersyn af fødevarerne er påkrævet umiddelbart efter afbrudelsen.
- ▶ Da temperaturen i køleskabet vil stige under en strømafbrudelse eller anden fejl, vil opbevaringsperioden og madens spisekvalitet blive forringet. Al mad, der optøs, skal enten spises eller tilberedes og fryses ned igen (hvor det er muligt) for at forhindre skader på helbredet.



### Bemærk

#### Hukommelsesfunktion under strømafbrudelse

Når strømmen er tilbage, fortsætter apparatet med de indstillinger, der blev indstillet før strømafbrudelsen.

Teknisk assistance kan kontaktes på vores websted: <https://corporate.haier-europe.com/en/>

I afsnittet "website" vælger du dit produktmærke og dit land. Du føres til lige netop det websted, hvor du finder telefonnummeret og formularen til at kontakte teknisk assistance.

## Udpakning



### ADVARSEL!

- ▶ Køleskabet/fryseren er tungt. Vær altid to personer om at håndtere det.
- ▶ Hold alle emballagematerialer uden for børns rækkevidde og bortskaf dem miljøvenligt.
- ▶ Tag apparatet ud af emballagen.
- ▶ Fjern alt emballagemateriale.

DA

## Miljøforhold

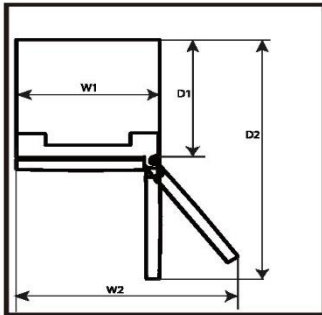
Stuetemperaturen bør altid være mellem 10°C og 43°C, da det kan påvirke temperaturen inde i apparatet og dets energiforbrug. Installer ikke apparatet i nærheden af andre varmeafgivende apparater (ovne, køleskabe) uden isolering.

## Skift af dørens hængselsside

Før apparatet er permanent installeret, skal du kontrollere den korrekte placering af dørhængslet. Se om nødvendigt afsnittet SKIFT AF DØRENS HÆNGSELSSIDE

## Pladskrav

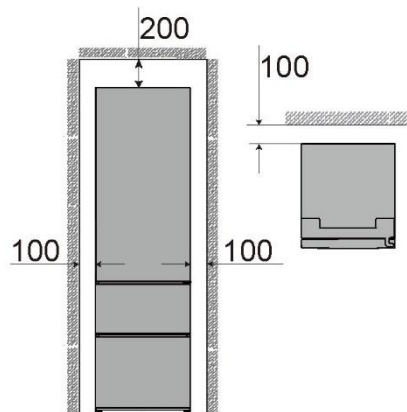
Nødvendig plads når døren åbnes:



| Apparatets bredde i mm |     | Apparatets dybde i mm |      |
|------------------------|-----|-----------------------|------|
| W1                     | W2  | D1                    | D2   |
| 595                    | 918 | 600                   | 1220 |

## Ventilationstværsnit

Af sikkerhedsmæssige årsager og for at opnå tilstrækkelig ventilation af apparatet skal målene på de nødvendige ventilationstværsnit overholdes.



### Skift af dørens hængselsside

Før du tilslutter apparatet til strømforsyningen, bør du kontrollere, om dørens hængselsside skal ændres fra højre (som leveret) til venstre, hvis dette er påkrævet af installationsstedet og anvendeligheden.



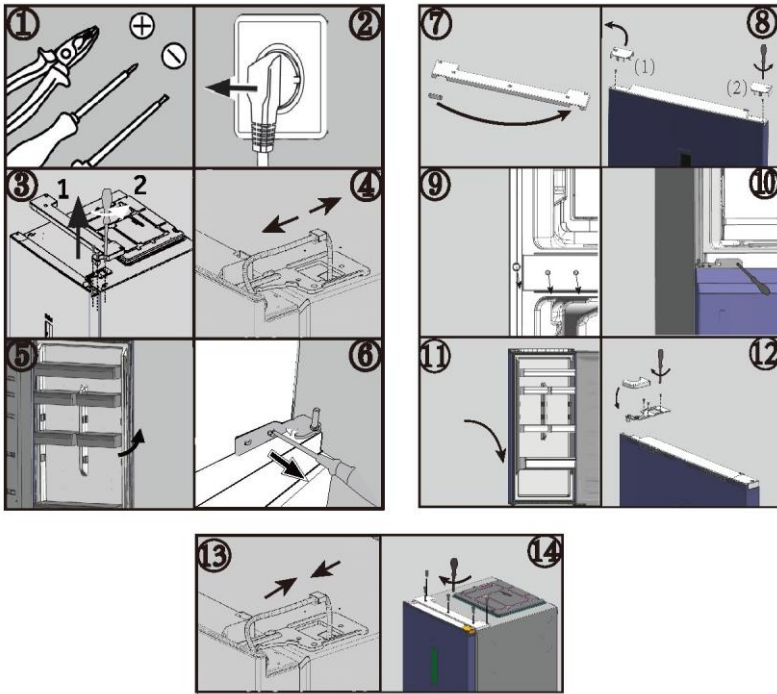
#### ADVARSEL!

- ▶ Køleskabet/fryseren er tungt. Du skal bruge to personer til at skifte dørens hængselsside.
- ▶ Før enhver betjening skal apparatet tages ud af stikkontakten
- ▶ Vip ikke apparatet mere end 45°C for at forhindre beskadigelse af kølesystemet.

### Monteringstrin

1. Find det nødvendige værktøj.
2. Tag stikket ud af stikkontakten.
3. Fjern det øverste hængseldæksel (1), og skru det øverste hængsel af (tre skruer) på højre side (2).
4. Træk tilslutningskablet ud
5. Løft forsigtigt den løse køleskabsdør af det nederste hængsel.
6. Fjern det nederste hængsel på den øverste dør
7. Fjern det lille dæksel på frontpanelet fra venstre mod højre side.
8. Vend lågen på hovedet og skru låget af (1). Tag det nye dæksel (2) ud af den nødvendige pose og skru dem på modsatte side.
9. Skift placeringen af afblændingspropperne og skruen på siden.
10. Skru det nederste hængsel på venstre side af apparatet.
11. Løft den øverste dør forsigtigt på det nederste hængsel. Og sørg for, at drejetappen passer ind i hængslet på den nederste dør.
12. Tag det nye øvre hængsel og hængseldækslet ud af tilbehørstasken. Sæt tilslutningskablet gennem det øverste hængsel og fastgør det øverste hængsel med tre skruer på venstre side af apparatet. Og sæt hængseldækslet over hængslet.
13. Sæt lysnetkablet i kontakten.
14. Sæt frontpanelet på plads og fastgør det med fem skruer.

Efter skiftet af døren skal du kontrollere, om dørtætningerne er placeret korrekt på huset, og alle skruer er spændt godt til.



### Omgivelsestemperaturer

Udvidet tempereret: 'dette køleskab er beregnet til brug ved omgivelsestemperaturer i området fra 10°C til 32°C

Tempereret: 'dette køleskab er beregnet til brug ved omgivelsestemperaturer i området fra 16°C til 32°C

Subtropisk: 'dette køleskab er beregnet til brug ved omgivelsestemperaturer i området fra 16°C til 38°C

Tropisk: 'dette køleskab er beregnet til brug ved omgivelsestemperaturer i området fra 16°C til 43°C'.

## Produktblad i henhold til EU Regulativ nr. 2019/2016

Baseret på standard testresultater i 24 timer. Det faktiske energiforbrug afhænger af, hvordan apparatet bruges, og hvor det er placeret

| Varemærke                                                                                                   | Haier          | Haier          | Haier          |
|-------------------------------------------------------------------------------------------------------------|----------------|----------------|----------------|
| Model identifikator                                                                                         | HTW5618DN*     | HTW5620DN*     | HTW5618DW*     |
| Modelkategori                                                                                               | Køle-fryseskab | Køle-fryseskab | Køle-fryseskab |
| Energiklasse                                                                                                | D              | D              | D              |
| Årligt energiforbrug (kWh/år)                                                                               | 217            | 226            | 216            |
| Volumen køleskab (L)                                                                                        | 201            | 255            | 198            |
| Volumen frysning (L)                                                                                        | 125            | 125            | 125            |
| Lydstyrke My Zone(L)                                                                                        | 34             | 34             | 34             |
| Stjernebedømmelse                                                                                           | 4              | 4              | 4              |
| Frostfrit system                                                                                            | Ja             | Ja             | Ja             |
| Sikker strømafbrydelse(t)/<br>Temperaturstigningstid(t)                                                     | 13             | 13             | 13             |
| Frysekapacitet (kg/24 timer)                                                                                | 10             | 10             | 10             |
| Klimaklasse<br>Dette apparat er beregnet til at blive brugt ved en omgivelsestemperatur mellem 10°C og 43°C | SN-N-ST-T      | SN-N-ST-T      | SN-N-ST-T      |
| Støjemissionsklasse og luftbårne akustiske støjmissioner (dB(A) re 1pW)                                     | 35             | 35             | 35             |



| Varemærke                                                                                                   | Haier          | Haier          |
|-------------------------------------------------------------------------------------------------------------|----------------|----------------|
| Model identifikator                                                                                         | HTW5618CN*     | HTW5620CN*     |
| Modelkategori                                                                                               | Køle-fryseskab | Køle-fryseskab |
| Energiklasse                                                                                                | C              | C              |
| Årligt energiforbrug (kWh/år)                                                                               | 173            | 181            |
| Volumen køleskab (L)                                                                                        | 201            | 255            |
| Volumen frysning (L)                                                                                        | 125            | 125            |
| Lydstyrke My Zone(L)                                                                                        | 34             | 34             |
| Stjernebedømmelse                                                                                           | 4              | 4              |
| Frostfrit system                                                                                            | Ja             | Ja             |
| Sikker strømafbrydelse(t)/Temperaturstigningstid(t)                                                         | 13             | 13             |
| Frysekapacitet (kg/24 timer)                                                                                | 10             | 10             |
| Klimaklasse<br>Dette apparat er beregnet til at blive brugt ved en omgivelsestemperatur mellem 10°C og 43°C | SN-N-ST-T      | SN-N-ST-T      |
| Støjemissionsklasse og luftbårne akustiske støjemissioner (dB(A) re 1pW)                                    | 35             | 35             |

**Produktblad i henhold til EU Regulativ nr. 2019/2016**

Baseret på standard testresultater i 24 timer. Det faktiske energiforbrug afhænger af, hvordan apparatet bruges, og hvor det er placeret

| Varemærke                                                                                                   | Haier          | Haier          | Haier          |
|-------------------------------------------------------------------------------------------------------------|----------------|----------------|----------------|
| Model identifikator                                                                                         | HDPW5618DN*    | HDPW5620DN*    | HDPW5618DW*    |
| Modelkategori                                                                                               | Køle-fryseskab | Køle-fryseskab | Køle-fryseskab |
| Energiklasse                                                                                                | D              | D              | D              |
| Årligt energiforbrug (kWh/år)                                                                               | 214            | 220            | 214            |
| Volumen køleskab (L)                                                                                        | 201            | 255            | 198            |
| Volumen frysning (L)                                                                                        | 117            | 117            | 117            |
| Lydstyrke My Zone(L)                                                                                        | 34             | 34             | 34             |
| Stjernebedømmelse                                                                                           | 4              | 4              | 4              |
| Frostfrit system                                                                                            | Ja             | Ja             | Ja             |
| Sikker strømafbrudelse(t)/<br>Temperaturstigningstid(t)                                                     | 13             | 13             | 13             |
| Frysekapacitet (kg/24 timer)                                                                                | 10             | 10             | 10             |
| Klimaklasse<br>Dette apparat er beregnet til at blive brugt ved en omgivelsestemperatur mellem 10°C og 43°C | SN-N-ST-T      | SN-N-ST-T      | SN-N-ST-T      |
| Støjemissionsklasse og luftbårne akustiske støjemissioner (dB(A) re 1pW)                                    | 35             | 35             | 35             |

| Varemærke                                                                                                   | Haier          | Haier          | Haier          |
|-------------------------------------------------------------------------------------------------------------|----------------|----------------|----------------|
| Model identifikator                                                                                         | HDPW5618CN*    | HDPW5620CN*    | HDPW5620AN*    |
| Modelkategori                                                                                               | Køle-fryseskab | Køle-fryseskab | Køle-fryseskab |
| Energiklasse                                                                                                | C              | C              | A              |
| Årligt energiforbrug (kWh/år)                                                                               | 171            | 176            | 114            |
| Volumen køleskab (L)                                                                                        | 201            | 255            | 255            |
| Volumen frysning (L)                                                                                        | 117            | 117            | 120            |
| Lydstyrke My Zone(L)                                                                                        | 34             | 34             | 34             |
| Stjernebedømmelse                                                                                           | 4              | 4              | 4              |
| Frostfrit system                                                                                            | Ja             | Ja             | Ja             |
| Sikker strømafbrydelse(t)/<br>Temperaturstigningstid(t)                                                     | 13             | 13             | 16             |
| Frysekapacitet (kg/24 timer)                                                                                | 10             | 10             | 10             |
| Klimaklasse<br>Dette apparat er beregnet til at blive brugt ved en omgivelsestemperatur mellem 10°C og 43°C | SN-N-ST-T      | SN-N-ST-T      | SN-N-ST-T      |
| Støjemissionsklasse og luftbårne akustiske støjemissioner (dB(A) re 1pW)                                    | 35             | 35             | 35             |

Yderligere tekniske data

| Model identifikator      | HTW5618D*                         | HTW5620DN*    | HTW5618CN*    | HTW5620CN*    |
|--------------------------|-----------------------------------|---------------|---------------|---------------|
| Samlet volumen (L)       | 360<br>(357 for HTW5618DWMG (UK)) | 414           | 360           | 414           |
| Spænding / Frekvens      | 220-240V/50Hz                     | 220-240V/50Hz | 220-240V/50Hz | 220-240V/50Hz |
| Indgangsstrøm (A)        | 1,4A                              | 1,4A          | 1,4A          | 1,4A          |
| Hovedsikring (A)         | 16A                               | 16A           | 15A           | 15A           |
| Kølevæske/mængde         | R600a/53g                         | R600a/53g     | 600 kr/50 g   | 600 kr/50 g   |
| Dimensioner (B/D/H i mm) | 595*667*1850                      | 595*667*2050  | 595*667*1850  | 595*667*2050  |

| Model identifikator      | HDPW5618D*   | HDPW5618DW*  | HDPW5620DN*  |
|--------------------------|--------------|--------------|--------------|
| Samlet volumen (L)       | 352          | 349          | 406          |
| Spænding / Frekvens      | 220-240/50Hz | 220-240/50Hz | 220-240/50Hz |
| Indgangsstrøm (A)        | 1,4A         | 1,4A         | 1,4A         |
| Hovedsikring (A)         | 16A          | 16A          | 16A          |
| Kølevæske/mængde         | R600a/53g    | R600a/53g    | R600a/53g    |
| Dimensioner (B/D/H i mm) | 595*667*1850 | 595*667*1850 | 595*667*2050 |

| Model identifikator      | HDPW5618CN*  | HDPW5620CN*  | HDPW5620AN*  |
|--------------------------|--------------|--------------|--------------|
| Samlet volumen (L)       | 352          | 406          | 409          |
| Spænding / Frekvens      | 220-240/50Hz | 220-240/50Hz | 220-240/50Hz |
| Indgangsstrøm (A)        | 1,4A         | 1,4A         | 1,4A         |
| Hovedsikring (A)         | 15A          | 15A          | 15A          |
| Kølevæske/mængde         | 600 kr/50 g  | 600 kr/50 g  | 600 kr/50 g  |
| Dimensioner (B/D/H i mm) | 595*667*1850 | 595*667*2050 | 595*667*2050 |

### Standarder og direktiver

Dette produkt opfylder kravene i alle gældende EU-direktiver med de tilsvarende harmoniserede standarder, som gælder for CE-mærkning.

Vi anbefaler vores Haier kundeservice og brug af originale reservedele.  
Hvis du har et problem med dit apparat, skal du først tjekke afsnittet FEJLFINDING.

Hvis du ikke kan finde en løsning der, så kontakt

- ▶ din lokale forhandler eller
- ▶ vores europæiske Call Service-Center (se anførte telefonnumre nedenfor) eller
- ▶ Service & Support-området på [www.haier.com](http://www.haier.com), hvor du kan aktivere service
- ▶ krav, og find også ofte stillede spørgsmål.

For at kontakte vores serviceafdeling skal du sikre dig, at du har følgende data til rådighed.

Oplysningerne kan findes på typeskiltet.

Model \_\_\_\_\_

Serienr. \_\_\_\_\_

Tjek også det garantikort, der fulgte med produktet i tilfælde af garantikrav.

| European Call Service-Center |                 |                                                                                                           |
|------------------------------|-----------------|-----------------------------------------------------------------------------------------------------------|
| Land*                        | Telefonnummer   | Omkostninger                                                                                              |
| Haier Italy (IT)             | 199 100 912     |                                                                                                           |
| Haier Spain (ES)             | 902 509 123     |                                                                                                           |
| Haier Germany (DE)           | 0180 5 39 39 99 | <ul style="list-style-type: none"><li>• 14 Ct/min fastnet</li><li>• maks 42 Ct/min Mobil</li></ul>        |
| Haier Austria (AT)           | 0820 001 205    | <ul style="list-style-type: none"><li>• 14,53 Ct/min fastnet</li><li>• max 20 Ct/min alle andre</li></ul> |
| Haier United Kingdom (UK)    | 0333 003 8122   |                                                                                                           |
| Haier France (FR)            | 0980 406 409    |                                                                                                           |



\* For andre lande henvises til [www.haier.com](http://www.haier.com)

Haier Europe Trading S.r.l

Filial UK

Westgate House, Westgate, Ealing

London, W5 1YY

\*Varighed af garantien for køleaggregatet:

Minimumsgarantien er: 2 år for EU-lande, 3 år for Tyrkiet, 1 år for Storbritannien, 1 år for Rusland, 3 år for Sverige, 2 år for Serbien, 5 år for Norge, 1 år for Marokko, 6 måneder for Algeriet, Tunesien kræver ingen juridisk garanti.

\*Perioden for reservedele til reparation af apparatet:

Termostater, temperaturfølere, printkort og lyskilder lagerføres i mindst syv år efter, at sidste enhed af modellen er bragt på markedet.

Dørhåndtag, dørhængsler, bakker og kurve i mindst syv år og tætningslister til låger i mindst 10 år efter, at sidste enhed af modellen er bragt på markedet.

\*Du finder flere oplysninger om produktet på <https://eprel.ec.europa.eu/> eller ved at scanne QR-koden på det energimærke, der leveres med apparatet.

---

|                                    |     |
|------------------------------------|-----|
| Sicherheitsinformationen .....     | 152 |
| Bestimmungsgemäße Verwendung ..... | 158 |
| Produktbeschreibung .....          | 159 |
| Bedienfeld .....                   | 165 |
| Nutzung.....                       | 166 |
| Nutzung der WLAN-Funktion.....     | 171 |
| Nutzung.....                       | 172 |
| Energiespartipps .....             | 175 |
| Ausstattung .....                  | 176 |
| Pflege und Reinigung.....          | 180 |
| Fehlerbehebung .....               | 184 |
| Installation .....                 | 188 |
| Technische Daten.....              | 191 |
| Kundenservice.....                 | 197 |



---

**Vielen Dank für den Kauf eines Haier-Produkts.**

Bitte lesen Sie diese Anweisungen sorgfältig durch, bevor Sie dieses Gerät benutzen. Die Anleitung enthält wichtige Informationen, die Ihnen das Gerät näher erläutern und eine sichere und ordnungsgemäße Installation, Verwendung und Wartung gewährleisten.

Bewahren Sie diese Anleitung an einem geeigneten Ort auf, damit Sie jederzeit für die sichere und ordnungsgemäße Verwendung des Geräts darauf zurückgreifen können.

Wenn Sie das Gerät verkaufen, weggeben oder bei einem Umzug zurücklassen, vergewissern Sie sich, dass diese Anleitung auch beigelegt wird, damit sich der neue Besitzer über das Handbuch mit dem Gerät und den Sicherheitshinweisen vertraut machen kann.



## **WARNUNG - Wichtige Sicherheitsinformationen**



## **HINWEIS - Allgemeine Informationen und Tipps**



## **Umweltinformationen**



### **Entsorgung**

Tragen Sie zum Schutz der Umwelt und der menschlichen Gesundheit bei. Die Verpackung zum Recyceln in die entsprechenden Behälter entsorgen. Unterstützen Sie das Recycling von Elektro- und Elektronik-Altgeräten. Entsorgen Sie Geräte, die mit diesem Symbol gekennzeichnet sind, nicht mit dem Hausmüll. Geben Sie das Produkt an Ihre lokale Recyclinganlage zurück oder wenden Sie sich an Ihre Stadtverwaltung.



## **WARNUNG!**

Verletzungs- oder Erstickungsgefahr!

Kältemittel und Gase müssen fachgerecht entsorgt werden. Überprüfen Sie, dass der Schlauch des Kühlkreislaufs nicht beschädigt ist, bevor er ordnungsgemäß entsorgt wird. Trennen Sie das Gerät von der Stromversorgung. Trennen Sie das Netzkabel und entsorgen Sie es. Entfernen Sie die Fächer und Schubladen sowie die Türöffnung und die Dichtungen, um zu verhindern, dass Kinder und Haustiere im Gerät eingeschlossen werden.

## Lesen Sie vor dem ersten Einschalten des Geräts folgende Sicherheitshinweise:



### WARNUNG!

#### Vor der ersten Inbetriebnahme

- ▶ Vergewissern Sie sich, dass keine Transportschäden vorliegen.
- ▶ Entfernen Sie alle Verpackungsteile und bewahren Sie sie außerhalb der Reichweite von Kindern auf.
- ▶ Warten Sie vor dem Einschalten des Geräts mindestens zwei Stunden, damit der Kühlkreislauf auch sicher und effektiv arbeitet.
- ▶ Das Gerät immer mit mindestens zwei Personen transportieren, da es schwer ist.

#### Installation

- ▶ Das Gerät sollte an einem gut belüfteten Ort aufgestellt werden. Idealerweise müssen mindestens 10 cm rund um das Gerät frei bleiben.
- ▶ Stellen Sie das Gerät niemals in einem feuchten Bereich oder an einem Ort auf, wo es mit Wasser nassgespritzt werden könnte. Reinigen Sie Wasserspritzer und Flecken mit einem weichen, sauberen Tuch.
- ▶ Stellen Sie das Gerät nicht in direktem Sonnenlicht oder in der Nähe von Hitzequellen (z. B. Herden, Heizungen) auf.
- ▶ Installieren und richten Sie das Gerät in einem Bereich ein, der für seine Größe und Verwendung geeignet ist.
- ▶ Lüftungsschlitze am Gerät oder in der Einbaustruktur freihalten.
- ▶ Stellen Sie sicher, dass die elektrischen Informationen auf dem Typenschild der Stromversorgung entsprechen. Ist dies nicht der Fall, wenden Sie sich an einen Elektriker.
- ▶ Das Gerät wird über eine 220-240 V Wechselspannung/50 Hz betrieben. Abnormale Spannungsschwankungen könnten dazu führen, dass das Gerät nicht angeht, der Temperaturregler oder Kompressor beschädigt wird, oder dass während des Betriebs ein abnormales Geräusch auftritt. In einem solchen Fall ist ein automatischer Regler anzubringen.
- ▶ Verwenden Sie eine separate, geerdete Steckdose für eine leicht zugängliche Stromversorgung. Das Gerät muss geerdet werden.
- ▶ Nur für Großbritannien: Das Gerätenetzkaabel ist mit einem 3-adrigen Stecker (Erdungsstecker) ausgestattet, der in eine 3-adrige Norm-Buchse (geerdet) passt. Den dritten Stift (Erdung) auf keinen Fall kappen oder entfernen. Das Gerät muss so installiert werden, dass der Stecker frei zugänglich ist.
- ▶ Verwenden Sie keine Mehrfachsteckadapter und Verlängerungskabel.
- ▶ Stellen Sie sicher, dass das Netzkabel nicht durch den Kühlschrank eingeklemmt wird. Nicht auf das Netzkabel treten.
- ▶ Den Kühlkreislauf nicht beschädigen.
- ▶ Keine Mehrfachsteckdosen oder Verlängerungen hinter dem Gerät platzieren.



### WARNUNG!

#### Täglicher Gebrauch

- ▶ Dieses Gerät kann von Kindern ab 8 Jahren und Personen mit eingeschränkten körperlichen, sensorischen oder geistigen Fähigkeiten oder mangelnder Erfahrung und mangelndem Wissen benutzt werden, wenn diese in die sichere Bedienung des Geräts eingewiesen wurden oder beaufsichtigt werden und die damit verbundenen Gefahren verstanden haben.
- ▶ Kinder dürfen nicht mit dem Gerät spielen.
- ▶ Kinder im Alter von 3 bis 8 Jahren dürfen Kühlgeräte be- und entladen, aber die Kühlgeräte nicht reinigen und installieren.
- ▶ Halten Sie Kinder unter 3 Jahren vom Gerät fern, es sei denn, sie sind ständig unter Aufsicht.
- ▶ Reinigung und Pflege darf nicht von Kindern ohne Aufsicht erfolgen.
- ▶ Das Gerät sollte so positioniert sein, dass der Stecker frei zugänglich ist.
- ▶ Wenn Kühlgas oder ein anderes brennbares Gas in der Nähe des Geräts austritt, drehen Sie das Ventil des austretenden Gases ab. Öffnen Sie die Türen und Fenster, und ziehen Sie nicht den Netzstecker des Kühlschranks oder eines anderen Haushaltsgeräts.
- ▶ Beachten Sie, dass das Gerät für den Betrieb bei einer bestimmten Umgebungstemperatur zwischen 10°C und 43°C eingestellt ist. Das Gerät funktioniert möglicherweise nicht ordnungsgemäß, wenn es über einen längeren Zeitraum bei einer Temperatur oberhalb oder unterhalb des angegebenen Bereichs betrieben wird.
- ▶ Stellen Sie keine instabilen Gegenstände (schwere Gegenstände, mit Wasser gefüllte Behälter) auf den Kühl-/Gefrierschrank, um Verletzungen durch Herunterfallen oder Stromschläge durch Kontakt mit Wasser zu vermeiden.
- ▶ Ziehen Sie nicht an den Türfächern. Die Tür kann schief verzogen werden, das Flaschenregal kann herausgezogen werden, oder das Gerät kann umkippen.
- ▶ Die Tür nur mit den Griffen öffnen und schließen. Der Spalt zwischen Tür und Schrank ist sehr schmal. Stecken Sie nicht Ihre Hände in diesen Bereich, um zu vermeiden, dass Finger eingeklemmt werden. Die Kühl-/Gefrierschranktüren nur dann öffnen oder schließen, wenn keine Kinder im Bewegungsbereich der Tür stehen.
- ▶ Lagern Sie niemals Flaschenbier, Getränke oder Flüssigkeiten in Flaschen oder Dosen (außer hochprozentige Spirituosen), insbesondere kohlenensäurehaltige Getränke, im Gefrierschrank, da diese beim Einfrieren platzen können.
- ▶ Keine explosiven Substanzen mit entzündlichen Treibgasen, wie Sprühdosen, in diesem Gerät lagern.

**WARNUNG!**

- ▶ Keine Arzneimittel, Bakterien oder Chemikalien im Gerät lagern. Dieses Gerät ist ein Haushaltsgerät. Es wird davon abgeraten, Materialien zu lagern, die extreme Temperaturen erfordern.
- ▶ Um eine Verunreinigung der Lebensmittel zu vermeiden, beachten Sie die folgenden Hinweise:
  - ▶ - Das längere Öffnen der Tür kann zu einem bedeutenden Temperaturanstieg in den Kühlfächern des Geräts führen.
  - ▶ - Die mit den Lebensmitteln in Berührung kommenden Oberflächen und zugänglichen Ablaufsysteme müssen regelmäßig gereinigt werden.
  - ▶ - Reinigen Sie die Wassertanks, wenn sie 48 Stunden lang nicht benutzt wurden. Spülen Sie den an eine Wasserleitung angeschlossenen Wasserkreislauf, wenn 5 Tage lang kein Wasser entnommen wurde.
  - ▶ - Bewahren Sie rohes Fleisch und Fisch in geeigneten Behältern im Kühlschrank auf, damit sie nicht mit anderen Lebensmitteln in Berührung kommen oder Flüssigkeit auf diese tropft.
  - ▶ - Zwei-Sterne-Gefrierfächer eignen sich zur Aufbewahrung von vorgefrorenen Lebensmitteln, zur Lagerung oder Herstellung von Speiseeis und zur Herstellung von Eiswürfeln.
  - ▶ - Ein-, Zwei- und Drei-Sterne-Fächer sind nicht zum Einfrieren von frischen Lebensmitteln geeignet.
  - ▶ - Wenn das Kühlgerät längere Zeit leer bleibt, schalten Sie es aus, tauen Sie es ab, reinigen und trocknen Sie es, und lassen Sie die Tür offen, um zu verhindern, dass sich im Innenraum Schimmel bildet.
- ▶ Überprüfen Sie den Zustand der Lebensmittel, wenn die Temperatur im Gefrierschrank angestiegen ist.
- ▶ Keine unnötig niedrigen Temperaturen im Kühlschrank einstellen. Bei hohen Einstellungen kann es zu Minustemperaturen kommen. Achtung: Flaschen können platzen.
- ▶ Berühren Sie Gefriergut nicht mit nassen Händen (Handschuhe tragen). Verzehren Sie insbesondere Eis am Stiel nicht sofort nach der Entnahme aus dem Gefrierfach. Es besteht die Gefahr des Erfrierens oder der Bildung von Frostblasen an Mund und Zunge. ERSTE HILFE: Sofort unter fließend kaltes Wasser halten. Nicht mit Gewalt abziehen.
- ▶ Berühren Sie nicht die Innenfläche des Gefrierfachs, insbesondere nicht mit nassen Händen, da Ihre Hände an der Oberfläche festfrieren könnten.
- ▶ Ziehen Sie den Gerätestecker aus der Steckdose, falls die Stromversorgung unterbrochen wird oder bevor Sie das Gerät reinigen. Warten Sie vor dem Neustart mindestens 7 Minuten, da durch häufiges Einschalten der Kompressor beschädigt werden kann.
- ▶ Im Inneren des Haushaltsgeräts keine elektrischen Geräte benutzen, es sei denn, sie werden vom Hersteller empfohlen.



### WARNUNG!

#### Wartung/Reinigung

- ▶ Kinder müssen beaufsichtigt werden, wenn sie das Gerät reinigen und warten.
- ▶ Trennen Sie das Gerät von der Stromversorgung, bevor Sie eine routinemäßige Wartung durchführen. Warten Sie vor dem Neustart mindestens 5 Minuten, da durch häufiges Einschalten der Kompressor beschädigt werden kann.
- ▶ Fassen Sie beim Herausziehen des Gerätesteckers aus der Steckdose den Stecker und nicht das Kabel an.
- ▶ Reinigen Sie das Gerät nicht mit harten Bürsten, Drahtbürsten, Reinigungspulver, Benzin, Amylacetat, Aceton und ähnlichen organischen Lösungen, Säure oder Alkalilösungen. Bitte reinigen Sie das Gerät mit einem speziellen Reinigungsmittel für Kühl-/Gefriergeräte, um Beschädigungen zu vermeiden. Verwenden Sie ggf. warmes Wasser und eine Natronlösung - etwa einen Esslöffel Backnatron auf einen Liter/Viertel Wasser. Gründlich mit Wasser abspülen und trocken reiben. Verwenden Sie keine Reinigungspulver oder anderen Scheuermittel. Reinigen Sie herausnehmbare Teile nicht in der Geschirrspülmaschine.
- ▶ Kratzen Sie Frost und Eis nicht mit scharfkantigen Gegenständen ab. Verwenden Sie keine Sprays, elektrischen Heizgeräte, Haartrockner zum Abtauen oder Dampfreiniger im Gerät, um Beschädigungen der Kunststoffteile zu vermeiden.
- ▶ Keine mechanischen oder sonstigen Hilfsmittel verwenden, um den Abtauvorgang zu beschleunigen, es sei denn, dies ist vom Hersteller so empfohlen.
- ▶ Wenn das Stromkabel beschädigt ist, muss es vom Hersteller, von seinem Service-Mitarbeiter oder einer gleichwertig qualifizierten Person ausgetauscht werden, um jegliches Risiko zu vermeiden.
- ▶ Versuchen Sie nicht, das Gerät selbst zu reparieren, zu zerlegen oder zu verändern. Bei Reparaturen wenden Sie sich bitte an unseren Kundendienst.
- ▶ Wenn die Leuchten beschädigt sind, müssen sie vom Hersteller, von seinem Service-Mitarbeiter oder einer gleichwertig qualifizierten Person ausgetauscht werden, um jegliches Risiko zu vermeiden.
- ▶ Entfernen Sie den Staub auf der Geräterückseite mindestens einmal im Jahr, um Brandgefahr und einen erhöhten Energieverbrauch zu vermeiden.
- ▶ Das Gerät während der Reinigung nicht besprühen oder mit Wasser beschütten.
- ▶ Das Gerät nicht mit Wasser besprühen oder mit Dampf reinigen.
- ▶ Reinigen Sie die kalten Einlegeböden oder die Glastür nicht mit heißem Wasser. Plötzliche Temperaturschwankungen können zum Bruch des Glases führen.
- ▶ Wenn Sie das Gerät längere Zeit nicht benutzen, lassen Sie es offen, um zu verhindern, dass sich unangenehme Gerüche im Inneren bilden.

## Information zu Kältemittelgas



### WARNUNG!

Das Gerät enthält das entzündliche Kältemittel ISOBUTAN (R600a). Stellen Sie sicher, dass der Kühlkreislauf während des Transports oder der Installation nicht beschädigt wird. Auslaufendes Kältemittel kann Augenverletzungen verursachen oder sich entzünden. Falls Schäden aufgetreten sind, halten Sie sich von offenen Brandquellen fern, lüften Sie den Raum gründlich, stecken Sie die Netzkabel des Geräts oder eines anderen Geräts nicht ein oder aus. Informieren Sie den Kundendienst.

Falls die Augen mit dem Kältemittel in Kontakt kommen, sofort unter fließendem Wasser ausspülen und den Augenarzt verständigen.

Das Kühlsystem steht unter hohem Druck. Nicht daran manipulieren. Da entzündliche Kältemittel verwendet werden, bitte das Gerät entsprechend der Anweisung installieren, handhaben und warten. Wenden Sie sich an den Fachtechniker oder unseren Kundenservice, um das Gerät zu entsorgen.

Bei Kühlschränken mit Eis-Wasser-Funktion beachten Sie bitte den folgenden Warnhinweis:

- Bei Geräten, die nicht für den Anschluss an die Wasserversorgung vorgesehen sind: nur mit Trinkwasser füllen.
- Für Geräte, die an die Wasserversorgung angeschlossen werden sollen: nur an die Trinkwasserversorgung anschließen.
- Wenn Sie das Wassersystem reinigen möchten, lesen Sie zuerst im Benutzerhandbuch nach. Wenn Sie Fragen haben, wenden Sie sich bitte an den Kundendienst.

### Bestimmungsgemäße Verwendung

Dieses Gerät ist zum Kühlen und Gefrieren von Lebensmitteln bestimmt. Es ist ausschließlich für den Einsatz in Haushalten und ähnlichen Bereichen konzipiert, wie z. B. in Personalküchen in Geschäften, Büros und anderen Arbeitsumgebungen, auf Bauernhöfen und in Hotels, Motels und anderen wohnähnlichen Umgebungen sowie in Bed-and-Breakfasts und fürs Catering. Das Gerät ist nicht für die kommerzielle oder industrielle Nutzung bestimmt. Änderungen oder Anpassungen am Gerät sind nicht erlaubt. Eine unsachgemäße Verwendung kann zu Gefahren und zum Verlust von Garantieansprüchen führen.

### Normen und Richtlinien **CE** und **UKCA**

Dieses Produkt erfüllt die Anforderungen aller geltenden EG-Richtlinien mit den entsprechenden harmonisierten Normen und Standards Großbritanniens, die eine CE- und UKCA-Kennzeichnung vorsehen.

### Zubehör

Überprüfen Sie Zubehör und Dokumentation gemäß dieser Liste:



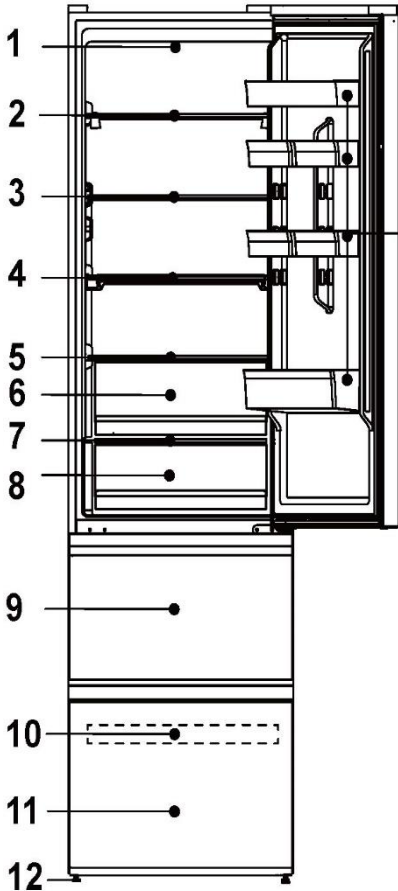
### **i** HINWEIS

Aufgrund von technischen Änderungen und unterschiedlichen Modellen können einige der Abbildungen in dieser Anleitung von Ihrem Modell abweichen.



**i HINWEIS**

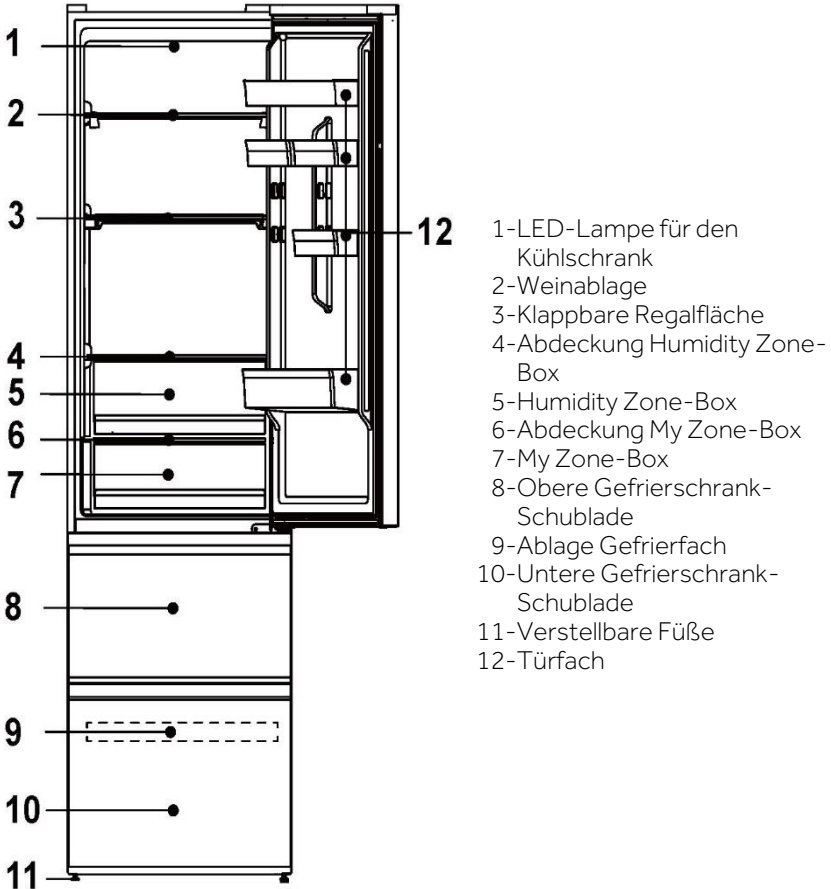
Aufgrund von technischen Änderungen und unterschiedlichen Modellen können einige der Abbildungen in dieser Anleitung von Ihrem Modell abweichen. (HTW5620\*N\*)



- 1-LED-Lampe für den Kühlschrank
- 2-Weinablage
- 3-Einlegeboden aus Glas
- 4-Klappbare Regalfläche
- 5-Abdeckung Humidity Zone-Box
- 6-Humidity Zone-Box
- 7-Abdeckung My Zone-Box
- 8-My Zone-Box
- 9-Obere Gefrierschrank-Schublade
- 10-Ablage Gefrierfach
- 11-Untere Gefrierschrank-Schublade
- 12-Verstellbare Füße
- 13-Türfach

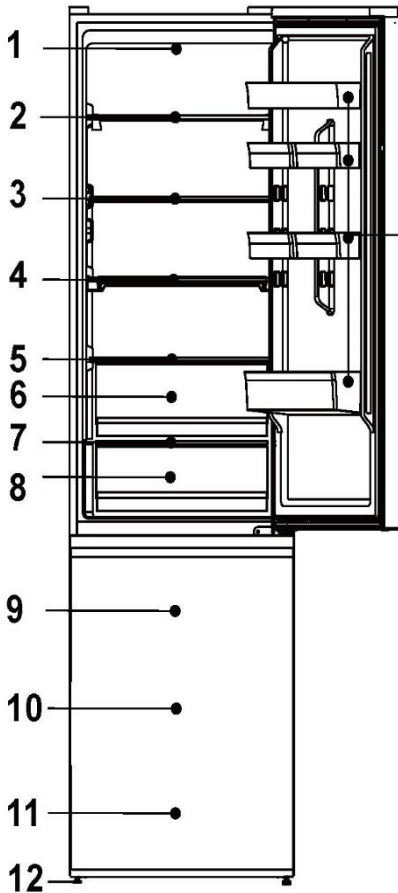
## **i** HINWEIS

Aufgrund von technischen Änderungen und unterschiedlichen Modellen können einige der Abbildungen in dieser Anleitung von Ihrem Modell abweichen. (HTW5618\*N\*)



**i HINWEIS**

Aufgrund von technischen Änderungen und unterschiedlichen Modellen können einige der Abbildungen in dieser Anleitung von Ihrem Modell abweichen. (HDPW5620\*N\*)

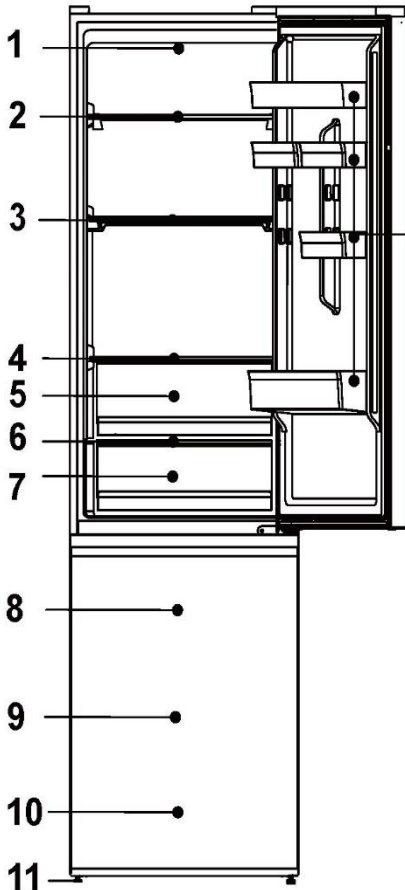


- 1-LED-Lampe für den Kühlschrank
- 2-Weinablage
- 3-Einlegeboden aus Glas
- 4-Klappbare Regalfläche
- 5-Abdeckung Humidity Zone-Box
- 6-Humidity Zone-Box
- 7-Abdeckung My Zone-Box
- 8-My Zone-Box
- 9-Obere Gefrierschrank-Schublade
- 10-Mittlere Gefrierschrank-Schublade
- 11-Untere Gefrierschrank-Schublade
- 12-Verstellbare Füße
- 13-Türfach

**i HINWEIS**

Aufgrund von technischen Änderungen und unterschiedlichen Modellen können einige der Abbildungen in dieser Anleitung von Ihrem Modell abweichen. (HDPW5618\*N\*)

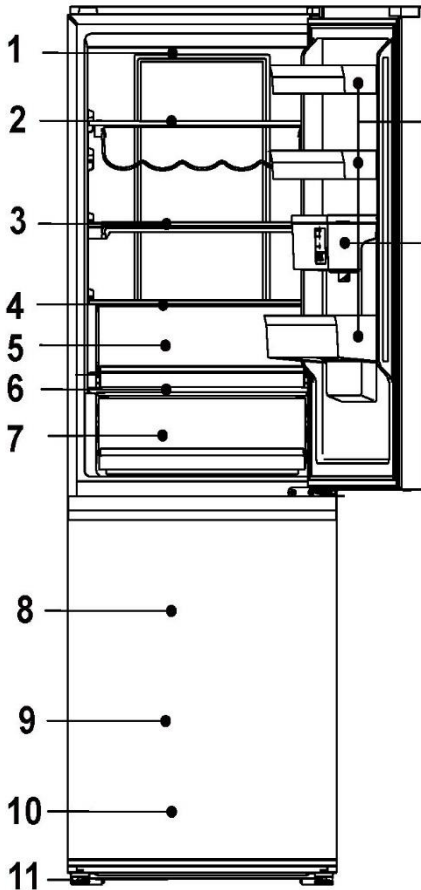
DE



- 1-LED-Lampe für den Kühlschrank
- 2-Weinablage
- 3-Klappbare Regalfläche
- 4-Abdeckung Humidity Zone-Box
- 5-Humidity Zone-Box
- 6-Abdeckung My Zone-Box
- 7-My Zone-Box
- 8-Obere Gefrierschrank-Schublade
- 9-Mittlere Gefrierschrank-Schublade
- 10-Untere Gefrierschrank-Schublade
- 11-Verstellbare Füße
- 12-Türfach

**i HINWEIS**

Aufgrund von technischen Änderungen und unterschiedlichen Modellen können einige der Abbildungen in dieser Anleitung von Ihrem Modell abweichen. (HDPW5618DW\*)

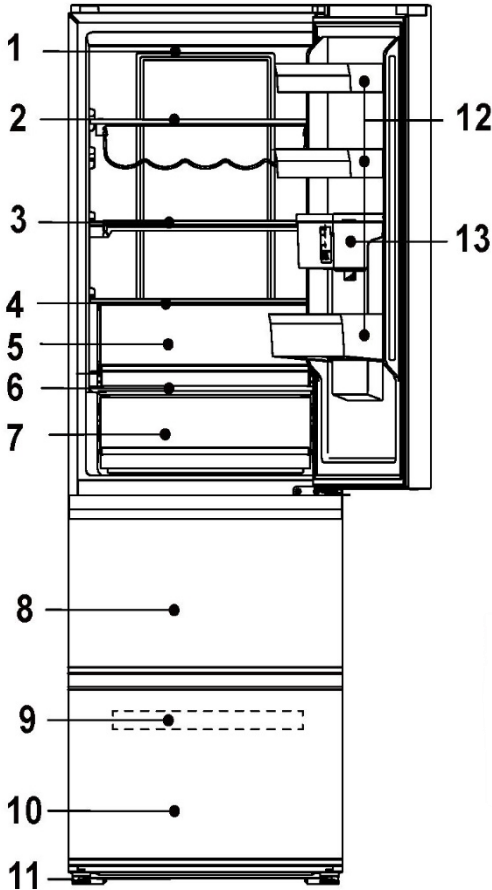


- 1-LED-Lampe für den Kühlschrank
- 2-Weinablage
- 3-Klappbare Regalfläche
- 4-Abdeckung Humidity Zone-Box
- 5-Humidity Zone-Box
- 6-Abdeckung My Zone-Box
- 7-My Zone-Box
- 8-Obere Gefrierschrank-Schublade
- 9-Mittlere Gefrierschrank-Schublade
- 10-Untere Gefrierschrank-Schublade
- 11-Verstellbare Füße
- 12-Türfach
- 13-Wassertank

**i HINWEIS**

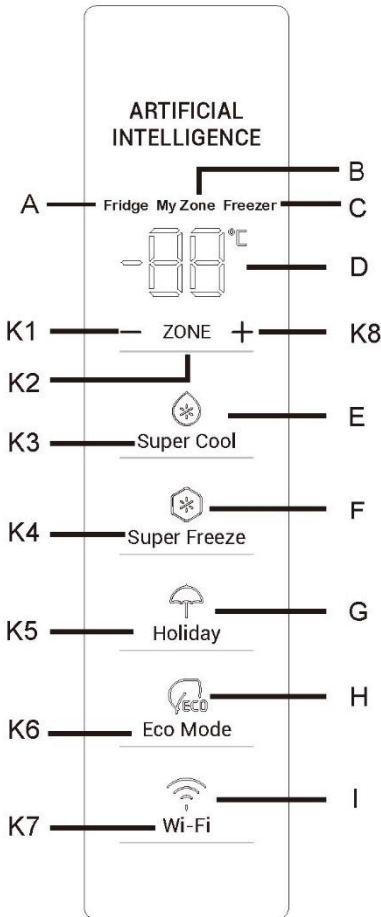
Aufgrund von technischen Änderungen und unterschiedlichen Modellen können einige der Abbildungen in dieser Anleitung von Ihrem Modell abweichen. (HTW5618DW\*)

DE



- 1-LED-Lampe für den Kühlschrank
- 2-Weinablage
- 3-Klappbare Regalfläche
- 4-Abdeckung Humidity Zone-Box
- 5-Humidity Zone-Box
- 6-Abdeckung My Zone-Box
- 7-My Zone-Box
- 8-Obere Gefrierschrank-Schublade
- 9-Ablage Gefrierfach
- 10-Untere Gefrierschrank-Schublade
- 11-Verstellbare Füße
- 12-Türfach
- 13-Wassertank

## Bedienfeld



Knöpfe:

- A Kühlfach
- B Fach My Zone
- C Gefrierfach
- D Temperaturanzeige
- E Super Cool-Funktion
- F Super Freeze-Funktion
- G Holiday-Funktion
- H Eco Modus-Funktion
- I WLAN-Funktion

Anzeigen:

- K1 Temperatur absenken
- K2 Auswahl von Kühlschrank, My Zone und Gefrierschrank
- K3 Super Cool-Funktion ein/aus
- K4 Super Freeze-Funktion ein/aus
- K5 Holiday-Funktion ein/aus
- K6 Eco Modus-Funktion ein/aus
- K7 WLAN-Funktion Ein/Aus
- K8 Temperatur erhöhen

## Vor der ersten Inbetriebnahme

Entfernen Sie sämtliches Verpackungsmaterial, bewahren Sie es außerhalb der Reichweite von Kindern auf und entsorgen Sie es umweltfreundlich.

Reinigen Sie die Innen- und Außenseite des Geräts sowie den Innenraum und das Zubehör mit Wasser und einem milden Reinigungsmittel, und trocknen Sie es mit einem weichen Tuch gut ab.

Warten Sie, nachdem Sie den Kühlschrank in die Waage gebracht und gereinigt haben, mindestens 2 Stunden, bevor Sie ihn an die Stromversorgung anschließen. Siehe Abschnitt INSTALLATION.

Kühlen Sie die Fächer auf hoher Stufe vor, bevor Sie die Lebensmittel einlegen. Die Super Freeze-Funktion sorgt für eine schnelle Abkühlung des Gefrierfachs.

### Sensortasten

Die Tasten auf dem Bedienfeld sind Sensortasten, die schon bei leichter Berührung mit dem Finger ansprechen.

### Gerät ein-/ausschalten

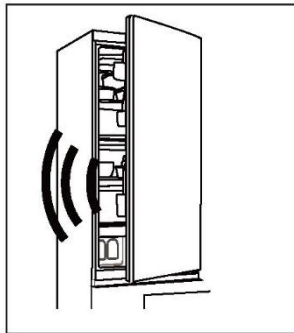
Das Gerät ist sofort in Betrieb, wenn es an die Stromversorgung angeschlossen wird. Wenn das Gerät zum ersten Mal eingeschaltet wird, zeigt die Temperaturanzeige „D“ die voreingestellten Werte an (siehe Hinweis unten).

### HINWEIS

Das Gerät ist auf die empfohlene Temperatur von 5°C (Kühlschrank) und -18°C (Gefrierschrank) voreingestellt. Die Temperatur der My Zone ist auf etwa 2°C voreingestellt. Dies sind die empfohlenen Einstellungen. Falls gewünscht, können Sie diese Temperatur manuell ändern.

### Türöffnungsalarm

Wenn die Kühlschranktür länger als 3 Minuten geöffnet ist, ertönt der Türöffnungsalarm. Der Alarm kann durch Schließen der Tür ausgeschaltet werden. Wenn die Tür länger als 7 Minuten geöffnet bleibt, schalten sich das Licht im Inneren des Kühlschranks und die Beleuchtung des Bedienfelds automatisch aus.



Temperatur einstellen

Die Temperaturen im Inneren werden durch folgende Faktoren beeinflusst:

Umgebungstemperatur

Häufigkeit der Türöffnung

Menge der gelagerten Lebensmittel

Installation des Geräts



## Temperatur für Kühlschrank einstellen

1. Drücken Sie die Taste „K2“ (Auswahl Kühlschrank/(My Zone)/Gefrierschrank), um das Kühlfach auszuwählen. Die Symbole „A“ (Kühlfach) und „D“ (Temperaturanzeige) leuchten.
2. Drücken Sie die Taste „K1/K8“, um die Kühlschranktemperatur einzustellen. Die Temperatur steigt in Schritten von 1°C, von mindestens 2°C bis höchstens 8°C. Die optimale Temperatur im Kühlschrank beträgt 5°C. Kältere Temperaturen bedeuten unnötigen Energieverbrauch.
3. Nach etwa 5 Sekunden leuchtet das Temperatursymbol „D“ (Temperaturanzeige) dauerhaft und die Einstellung ist bestätigt.

### HINWEIS

Die Temperatur des Kühl- und Gefrierschranks kann über die App angepasst werden. Die Temperatur kann mit einer Empfindlichkeit von 1°C eingestellt werden.

## Temperatur für Gefrierschrank einstellen

1. Drücken Sie die Berührungstaste „K2“ (Auswahl Kühlschrank/(My Zone)/Gefrierfach), um das Gefrierfach auszuwählen. Die Symbole „C“ (Gefrierfach) und „D“ (Temperaturanzeige) leuchten.
2. Drücken Sie die Berührungstaste „K1/K8“, um die Temperatur für den Gefrierschrank einzustellen. Die Temperatur steigt in Schritten von 1°C, von mindestens -24°C bis höchstens -16°C. Die optimale Temperatur im Gefrierschrank beträgt -18°C. Kältere Temperaturen bedeuten unnötigen Energieverbrauch.
3. Nach etwa 5 Sekunden leuchtet das Temperatursymbol „D“ (Temperaturanzeige) dauerhaft und die Einstellung ist bestätigt.

### HINWEIS

Wenn nach der Temperatureinstellung innerhalb von 5 Sekunden weitere Tasten gedrückt werden, wird die aktuelle Temperatureinstellung sofort bestätigt. Wenn innerhalb von 5 Sekunden keine Tastenbetätigung erfolgt, wird die aktuell eingestellte Temperatur angezeigt, bis der Bildschirm erlischt.

### Einstellen der Temperatur im My Zone Fach

Der Kühlschrank ist mit einer My Zone-Box ausgestattet. Je nach den Anforderungen an die Lagerung von Lebensmitteln kann die am besten geeignete Temperatur gewählt werden, um den optimalen Nährwert der Lebensmittel zu erhalten.

1. Drücken Sie die Taste „K2“ (Auswahl Kühlschrank/(My Zone)/Gefrierschrank), um die My Zone auszuwählen. Die Symbole „B“ (My Zone-Fach) und „D“ (Temperaturanzeige) leuchten. Sie kann auch in der App ausgewählt werden.
2. Drücken Sie die Berührungstaste „K1/K8“, um die Temperatur für die „My Zone“ einzustellen. Die Temperatur kann auch in der App eingestellt werden.

Die Temperatur steigt in Schritten von 1°C, von mindestens 0°C bis höchstens 5°C.

3. Nach etwa 5 Sekunden leuchtet das Temperatursymbol „D“ (Temperaturanzeige) dauerhaft und die Einstellung ist bestätigt.



### HINWEIS

1. Sie können die Temperatur des My Zone-Fachs auf die mittlere Stufe (2°C) einstellen, um Ihre Lebensmittel bei optimalen Bedingungen zu lagern.
2. Aufgrund des unterschiedlichen Wassergehalts von Fleisch werden einige Fleischsorten mit mehr Feuchtigkeit bei Temperaturen unter 0°C eingefroren. Daher sollte frisch aufgeschnittenes Fleisch in der My Zone-Box bei Temperaturen von mindestens 0°C gelagert werden.
3. Kälteempfindliche Früchte wie Ananas, Avocado, Bananen, Grapefruits und Gemüse wie Kartoffeln, Auberginen, Bohnen, Gurken, Zucchini und Tomaten sowie Käse sollten nicht in der My Zone-Box gelagert werden.
4. Wenn die Kühlschranktemperatur niedriger ist als die Temperatur in der My Zone, ist es normal, dass deren Temperatur die eingestellte Temperatur unterschreitet.

### „Super-Cool“-Funktion

1. Es wird empfohlen, die Super Cool-Funktion einzuschalten, wenn eine große Menge an Lebensmitteln gelagert werden soll (z. B. nach dem Einkauf). Die Super Cool-Funktion beschleunigt die Abkühlung frischer Lebensmittel und schützt die bereits gelagerte Ware vor unerwünschter Erwärmung.
2. Drücken Sie Taste „K3“ oder schalten Sie sie über die App ein; das Symbol „E“ (Super Cool-Funktion) leuchtet und die Funktion ist aktiviert.

## HINWEIS

1. Das Gerät beendet die „Super Cool-Funktion“ nach 6 Stunden oder nach Drücken der Taste „K3“, wenn das Symbol „E“ (Super Cool-Funktion) leuchtet. Wahlweise kann sie über die App ausgeschaltet werden.
2. Wenn im „Super Cool“-Modus die Temperatur des Kühlfachs eingestellt wird, blinkt das „E“ (Super Cool-Funktion), um anzuzeigen, dass dies nicht möglich ist.

## Super-Frz-Funktion

1. Frische Lebensmittel sollten so schnell wie möglich bis zum Kern eingefroren werden. So bleiben der beste Nährwert, das Aussehen und der Geschmack erhalten. Die Super Freeze-Funktion beschleunigt das Einfrieren frischer Lebensmittel und schützt die bereits gelagerte Ware vor unerwünschter Erwärmung. Wenn Sie einmal eine große Menge an Lebensmitteln einfrieren müssen, empfiehlt es sich, die Super Freeze-Funktion bereits 24 Stunden vorher zu aktivieren.
2. Drücken Sie Taste „K4“ (Einstellung der Super Freeze-Funktion) oder schalten Sie sie über die App ein; das Symbol „F“ (Super Freeze-Funktion) leuchtet und die Funktion ist aktiviert.

## HINWEIS

1. Das Gerät beendet die „Super Freeze-Funktion“ nach 50 Stunden oder nach Drücken der Taste „K4“, wenn das Symbol „F“ (Super Freeze-Funktion) leuchtet. Wahlweise kann sie über die App ausgeschaltet werden.
2. Wenn im „Super Freeze“-Modus die Temperatur des Gefrierfachs eingestellt wird, blinkt das „F“ (Super Freeze-Funktion), um anzuzeigen, dass dies nicht möglich ist.

## Holiday-Funktion

Die Holiday-Funktion kann verwendet werden, um den Energieverbrauch des Geräts zu reduzieren, wenn es nicht regelmäßig benutzt wird. Wenn die Funktion eingeschaltet ist, wird der Kühlschrank ausgeschaltet, während der Gefrierschrank normal weiterarbeitet. Die Funktion stellt die Kühlschranktemperatur dauerhaft auf 17°C ein.

So kann die Tür des leeren Kühlschranks auch bei längerer Abwesenheit (z.B. im Urlaub) geschlossen bleiben, ohne dass Geruch oder Schimmel entsteht. Das Gefrierfach kann nach Bedarf eingestellt werden.

1. Drücken Sie die Taste „K5“ (Holiday-Funktion ein/aus) oder wählen Sie die Funktion in der App aus; das Symbol „G“ (Holiday-Funktion) leuchtet und die Funktion ist aktiviert.
2. Die Funktion kann durch erneutes Drücken der Taste „K5“ (Holiday-Funktion ein/aus), Einstellen der Kühlschranktemperatur, durch eine andere Eingabe oder durch Ausschalten über die App deaktiviert werden.

### HINWEIS

1. Während die Holiday-Funktion aktiviert ist, sollten keine Lebensmittel im Kühlschrank gelagert werden. Die Temperatur von +17°C ist für die Lagerung von Lebensmitteln zu hoch.
2. Wenn die Urlaubsfunktion aktiviert ist, bleibt das Symbol der My Zone aus und die Kühlschrankfunktion ist gesperrt. Wenn die Temperatur des Kühlschranks dennoch eingestellt wird, blinkt das Symbol „G“ (Holiday-Funktion), um anzuzeigen, dass der Vorgang nicht möglich ist.

### Eco Modus-Funktion

Der Eco-Modus kann aktiviert werden, um die Leistung des Geräts zu optimieren und gleichzeitig die beste Lagerung von Lebensmitteln zu erreichen. Wenn Sie keine besonderen Anforderungen an die Lagerung haben, empfehlen wir Ihnen, den Eco Modus zu verwenden.

In diesem Modus beträgt die Kühltemperatur 5°C und die Gefriertemperatur -18°C.

1. Drücken Sie die Taste „K6“ (Eco Modus-Funktion ein/aus) oder wählen Sie die Funktion in der App aus.
2. Das Symbol „H“ (Eco Modus-Funktion) leuchtet und die Funktion ist aktiviert.

Durch Wiederholung der obigen Schritte oder Auswahl einer anderen Funktion oder Ausschalten über die App kann diese Funktion wieder ausgeschaltet werden. Die zuvor eingestellten Kühlstufen werden wiederhergestellt.

### HINWEIS

Wenn während der Eco-Modus-Funktion die Temperatur des Kühl-/Gefrierfachs eingestellt wird, blinkt das Symbol „H“ (Eco-Modus-Funktion), um anzuzeigen, dass der Vorgang nicht durchgeführt werden kann.

Schritt 1 Laden Sie die hOn-App aus den Stores herunter.

|                                                                                                                                                                                                      |                                                                                                                                                        |
|------------------------------------------------------------------------------------------------------------------------------------------------------------------------------------------------------|--------------------------------------------------------------------------------------------------------------------------------------------------------|
|                                                                                                                     |                                                                                                                                                        |
| <p>Schritt 2 Erstellen Sie Ihr Konto in der hOn-App oder melden Sie sich an, wenn Sie bereits ein Konto haben.</p>  | <p>Schritt 3 Folgen Sie den Kopplungsanweisungen in der hOn-App.</p>  |

DE

## WLAN-Funktion

1. Folgen Sie den Anweisungen in der App, um die WLAN-Funktion zu konfigurieren.
2. Sobald sie konfiguriert und die Verbindung hergestellt ist, leuchtet das WLAN-Symbol „I“ permanent.
3. Wenn die WLAN-Funktion bereits konfiguriert wurde, wird die Verbindung automatisch entsprechend der Konfigurationsinformationen wiederhergestellt, sobald die WLAN-Funktion aktiviert wird.

### HINWEIS

1. Um die WLAN-Funktion auszuschalten, drücken Sie die WLAN-Taste „K7“ und das WLAN-Symbol „I“ geht aus.
2. Um die WLAN-Funktion einzuschalten und die Konfiguration zu starten, drücken Sie die WLAN-Taste „K7“ und das WLAN-Symbol „I“ beginnt langsam zu blinken. Wenn Sie die WLAN-Funktion konfigurieren möchten, drücken Sie drei Sekunden lang Taste „K7“. Das WLAN-Symbol blinkt schnell und der Konfigurationsmodus wird aktiviert. Wenn Sie die WLAN-Funktion ausschalten möchten, drücken Sie einmal die Taste „K7“. Die oben genannten Schritte werden wiederholt.
3. Wenn das Gerät konfiguriert und die WLAN-Funktion ausgeschaltet wurde, geht der Kühlschrank nicht in den Konfigurationsmodus über, wenn er wieder an die Stromversorgung angeschlossen wird.

### HINWEIS

1. Dieses Gerät ist nicht für die kommerzielle Nutzung bestimmt.
2. Maximale HF-Ausgangsleistung: 2,4 GHz WLAN: 16 dBm.
3. Bluetooth LE: 5dBm; Bluetooth (BR/EDR): 10dBm.
4. Frequenzbandbereich: 2400–2483,5 MHz.

## Aufbewahrung im Kühlschrank

Halten Sie die Temperatur Ihres Kühlschranks unter 5 °C.

Heiße Lebensmittel vor der Lagerung im Kühlschrank auf Raumtemperatur abkühlen lassen.

Lebensmittel sollten vor der Lagerung im Kühlschrank gewaschen und abgetrocknet werden.

Die zu lagernden Lebensmittel sollten gut verpackt und verschlossen sein, um Geruchs- oder Geschmacksveränderungen zu vermeiden.

Lagern Sie keine übermäßigen Mengen an Lebensmitteln. Lassen Sie Zwischenräume zwischen den Lebensmitteln, damit die kalte Luft zirkulieren kann, um eine bessere und gleichmäßigere Kühlung zu erreichen.

Lebensmittel, die täglich verzehrt werden, sollten im vorderen Teil des Regals gelagert werden.

Lassen Sie Platz zwischen den Lebensmitteln und den Innenwänden, damit die Luft zirkulieren kann. Lagern Sie Lebensmittel niemals an der Rückwand, da sie dort festfrieren könnten. Vermeiden Sie den direkten Kontakt von Lebensmitteln (insbesondere bei öligen oder säurehaltigen Lebensmitteln) mit der Innenauskleidung, da Öl/Säure diese angreifen kann. Reinigen Sie ölige/saure Verschmutzungen sofort, wenn Sie sie sehen.

Gefrorene Lebensmittel können im Kühlschrank schonend aufgetaut werden. Das spart Energie.

Der Reifungsprozess von Obst und Gemüse wie Zucchini, Melonen, Papaya, Bananen, Ananas usw. kann im Kühlschrank beschleunigt werden. Es wird daher nicht empfohlen, sie im Kühlschrank zu lagern. Die Reifung von noch grünem Obst kann im Kühlschrank jedoch auch beschleunigt werden. Zwiebeln, Knoblauch, Ingwer und anderes Wurzelgemüse sollten ebenfalls bei Raumtemperatur gelagert werden.

Unangenehme Gerüche im Inneren des Kühlschranks sind ein Zeichen dafür, dass etwas verschüttet wurde und gesäubert werden muss. Siehe „Pflege und Reinigung“.

Verschiedene Lebensmittel sollten entsprechend ihrer Eigenschaften an verschiedenen Stellen eingeräumt werden:

## Einlagerung im Gefrierfach

Halten Sie die Gefriertemperatur bei -18°C.

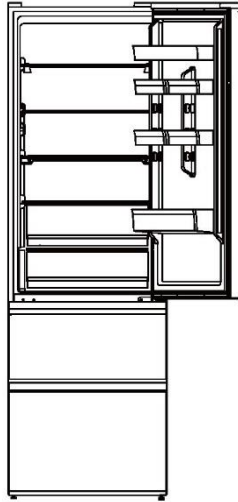
Schalten Sie 24 Stunden vor dem Einfrieren die Super-Freeze-Funktion ein. Für kleine Mengen an Lebensmitteln sind 4-6 Stunden ausreichend.

Heiße Lebensmittel vor der Lagerung im Gefrierschrank auf Raumtemperatur abkühlen lassen.

In kleine Portionen geschnittene Lebensmittel frieren schneller ein und lassen sich leichter auftauen und garen. Das empfohlene Gewicht für jede Portion beträgt höchstens 2,5 kg.

Es ist besser, Lebensmittel zu verpacken, bevor sie in den Gefrierschrank gelegt werden. Die Außenseite der Verpackung muss trocken sein, damit die Beutel nicht zusammenkleben. Verpackungsmaterialien sollten geruchsfrei, luftdicht, lebensmittelecht und ungiftig sein.

Damit das Verfallsdatum nicht abläuft, notieren Sie sich das Einfrierdatum, das Verfallsdatum und den Namen des Lebensmittels auf der Verpackung. Unterschiedliche Lebensmittel können unterschiedlich lange gelagert werden.



## WARNUNG!

- ▶ Säuren, Laugen und Salze usw. könnten die Innenfläche des Gefriergeräts erodieren.
- ▶ Legen Sie die Lebensmittel, die diese Stoffe enthalten (z. B. Seefisch), nicht direkt auf die Innenfläche. Ausgetropftes Salzwasser im Gefrierschrank sollte sofort beseitigt werden.
- ▶ Überschreiten Sie nicht die von den Herstellern empfohlene Haltbarkeitsdauer der Lebensmittel. Nehmen Sie nur die benötigte Menge an Lebensmitteln aus dem Gefrierschrank.
- ▶ Verbrauchen Sie aufgetaute Lebensmittel schnell. Aufgetaute Lebensmittel können nicht wieder eingefroren werden, es sei denn, sie wurden erneut durchgegart. Ansonsten können sie ungenießbar sein.
- ▶ Legen Sie keine übermäßigen Mengen an frischen Lebensmitteln in das Gefrierfach. Informieren Sie sich über die Gefrierkapazität des Tiefkühlgeräts. - Siehe TECHNISCHE DATEN oder Daten auf dem Typenschild.
- ▶ Lebensmittel können im Gefrierschrank bei einer Temperatur von mindestens -18 °C je nach Beschaffenheit 2 bis 12 Monate gelagert werden (z. B. Fleisch: 3-12 Monate, Gemüse: 6-12 Monate)
- ▶ Vermeiden Sie beim Einfrieren frischer Lebensmittel den Kontakt mit bereits gefrorenen Lebensmitteln. Es besteht die Gefahr, dass diese auftauen!

### Beachten Sie bei der Lagerung von handelsüblicher Tiefkühlware diese Richtlinien:

Befolgen Sie immer die Richtlinien der Hersteller, die angeben, wie lange die Lebensmittel aufbewahrt werden können. Überschreiten Sie diese Richtlinien nicht! Versuchen Sie, die Zeitspanne zwischen Einkauf und Lagerung so kurz wie möglich zu halten, um die Lebensmittelqualität zu erhalten.

Kaufen Sie Tiefkühlkost, die bei einer Temperatur von  $-18^{\circ}\text{C}$  oder darunter gelagert wurde.

Vermeiden Sie den Kauf von Lebensmitteln, die Eis oder Reif auf der Verpackung haben. Dies deutet darauf hin, dass die Produkte möglicherweise teilweise aufgetaut und irgendwann wieder eingefroren wurden. Temperaturerhöhungen beeinträchtigen die Qualität der Lebensmittel.

### Wasserspender

Über den Wasserspender kann gekühltes Trinkwasser gezapft werden.

Der Wassertank sollte vor dem ersten Gebrauch gereinigt werden (siehe PFLEGE UND REINIGUNG).

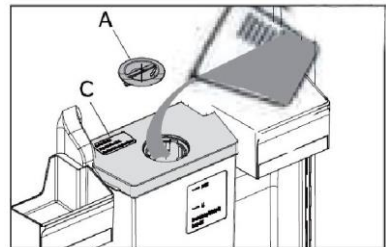
### Füllen des Wassertanks



#### WARNUNG!

► Verwenden Sie nur Trinkwasser.

1. Stellen Sie sicher, dass der Wassertank richtig eingesetzt ist (siehe AUSRÜSTUNG).
2. Drehen und nehmen Sie den runden Deckel (A) ab, und füllen Sie frisches Trinkwasser in den Wassertank (Abb. 5.10.1).
3. Wasser nur bis zur Markierung (2,5 l) einfüllen, da es sonst beim Öffnen und Schließen der Tür überlaufen könnte.
4. Den runden Deckel (A) bis zum Einrasten aufsetzen.



#### HINWEIS

1. Das Gerät beendet die „Super Cool-Funktion“ nach 6 Stunden oder nach Drücken der Taste „K3“, wenn das Symbol „E“ (Super Cool-Funktion) leuchtet. Wahlweise kann sie über die App ausgeschaltet werden.
2. Wenn im „Super Cool“-Modus die Temperatur des Kühlfachs eingestellt wird, blinkt das „E“ (Super Cool-Funktion), um anzuzeigen, dass dies nicht möglich ist.



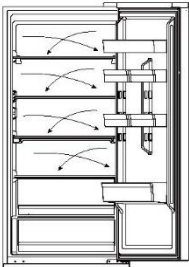


## Energiespartipps

- ▶ Stellen Sie sicher, dass das Gerät ordnungsgemäß belüftet ist (siehe INSTALLATION).
- ▶ Stellen Sie das Gerät nicht in direktem Sonnenlicht oder in der Nähe von Hitzequellen (z. B. Herden, Heizungen) auf.
- ▶ Vermeiden Sie unnötig niedrige Temperaturen im Gerät. Der Energieverbrauch steigt mit der Verringerung der eingestellten Temperatur im Gerät.
- ▶ Funktionen wie SUPER FREEZE verbrauchen mehr Energie.
- ▶ Lassen Sie warme Mahlzeiten abkühlen, bevor Sie diese in den Kühlschrank stellen.
- ▶ Öffnen Sie die Gerätetür so wenig und so kurz wie möglich.
- ▶ Achten Sie darauf, das Gerät nicht zu überladen, um den Luftstrom nicht zu behindern.
- ▶ Vermeiden Sie Luft innerhalb der Lebensmittelverpackung.
- ▶ Halten Sie Türdichtungen sauber, damit die Tür immer richtig schließt.
- ▶ Tauen Sie gefrorene Lebensmittel im Kühlfach auf oder verwenden Sie die D-Frost-Funktion in der My Zone-Box.
- ▶ Die energiesparendste Konfiguration erfordert, dass Schublade, Lebensmittelbox und Einlegeböden im Gerät so wie geliefert eingesetzt sind und die Lebensmittel so platziert werden, dass sie den Luftauslass des Kanals nicht blockieren.

## **i** Hinweis

Aufgrund der unterschiedlichen Modelle verfügt Ihr Produkt möglicherweise nicht über alle der folgenden Funktionen. Bitte beachten Sie das Kapitel zur Produktbeschreibung. I.

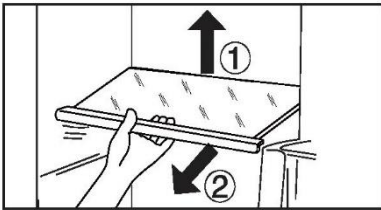


### Mehrfach-Luftstrom

Der Kühlschrank ist mit einem Mehrfach-Luftstrom-System ausgestattet, bei dem auf jeder Regalebene kühle Luftströme zirkulieren. Dadurch wird eine gleichmäßige Temperatur aufrechterhalten, um sicherzustellen, dass Ihre Lebensmittel länger frisch bleiben.

### Verstellbare Einlegeböden

1. Die Höhe der Einlegeböden kann an Ihren Lagerbedarf angepasst werden.
2. Um einen Einlegeboden zu versetzen, heben Sie ihn an der Hinterkante an ① und ziehen Sie ihn heraus ②.
3. Um ihn wieder einzubauen, setzen Sie ihn auf die Träger an beiden Seiten und schieben Sie ihn ganz nach hinten, bis die Rückseite des Einlegebodens in den Schlitzen an den Seiten steckt.



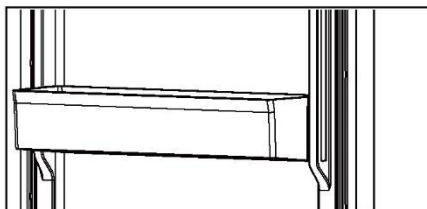
## **i** Hinweis

Prüfen Sie, ob alle Seiten des Regalbodens waagrecht sind.

### Abnehmbares Türfach

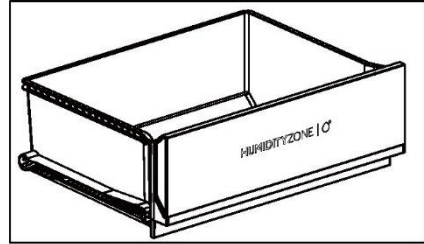
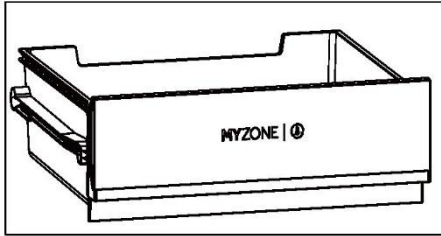
Das Türfach kann zur Reinigung abgenommen werden:

Halten Sie es dazu mit beiden Händen fest, heben Sie es nach oben (1) und ziehen Sie es heraus (2). Um das Türfach wieder einzusetzen, werden die oben genannten Schritte in umgekehrter Reihenfolge durchgeführt.



## My Zone-Box

Zur Verwendung und Einstellung des Fachs „My Zone“ lesen Sie den Abschnitt VERWENDUNG (My Zone).



DE

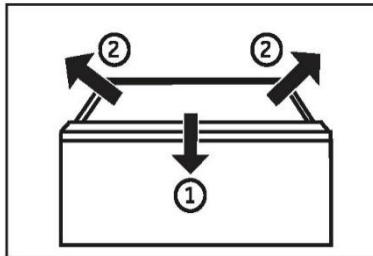
## Humidity Zone-Box

In diesem Fach wird die Luftfeuchtigkeit automatisch vom System geregelt und es eignet sich für die Lagerung von Obst, Gemüse, Salaten usw.

## Herausnehmbare Schublade

Um die Schublade aus dem Kühl- oder Gefrierfach herauszunehmen, ziehen Sie sie bis zum Anschlag heraus (1), heben sie an und nehmen sie heraus (2).

Um die Schublade wieder einzusetzen, werden die oben genannten Schritte in umgekehrter Reihenfolge durchgeführt.



## Gefrierschublade

Die Gefrierschublade kann gerade und vollständig ausgezogen werden. Sie ist auf einer leichtgängigen Teleskopschiene montiert. So können Sie das Gefriergut bequem lagern und entnehmen. Durch den automatischen Türschließmechanismus ist die Handhabung einfach und Sie sparen Energie.



### WARNUNG!

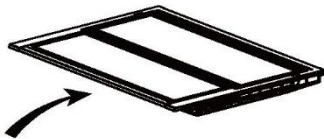
Schubladen nicht überladen: Maximale Belastung der einzelnen Schubladen: 35 kg!

### Beleuchtung

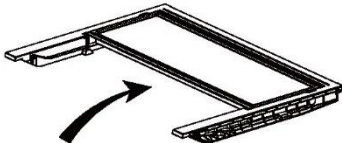
Die LED-Innenbeleuchtung leuchtet, wenn die Tür geöffnet wird. Die Leistung der LEDs wird durch keine andere Geräteeinstellung beeinflusst.

### Klappbare Regalflächen

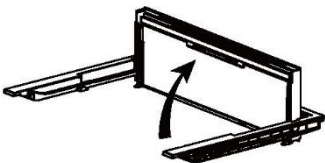
Die klappbaren Regalflächen ermöglichen es, auch hohe Flaschen oder Gegenstände in den Kühlschrank stellen. Die Regalflächen können nach hinten geklappt werden, sodass der verfügbare Platz im unteren Regalfach größer wird. Die Regalfläche lässt sich, wie in Schritt 1 bis 3 erklärt, zusammenklappen. Wenn Sie die ursprüngliche Regalfläche wieder herstellen möchten, kehren Sie die folgenden Schritte um.



Schritt 1: Den vorderen Teil der Regalfläche langsam bis zum Ende schieben.



Schritt 2: Die Regalfläche langsam nach oben in die senkrechte Position schieben.



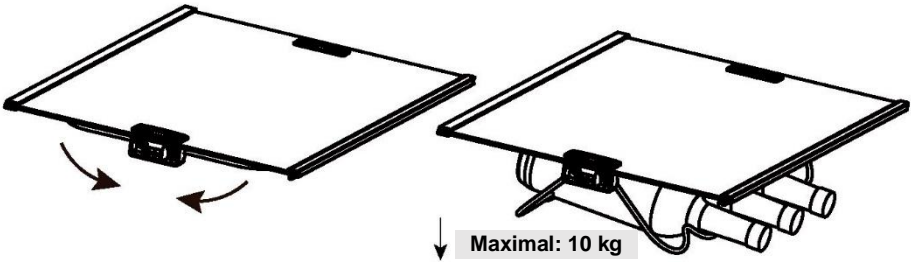
Schritt 3: Die Regalfläche ist jetzt hochgeklappt. Das spart Platz.

## Zusammenklappbare Flaschenablage

Für den normalen Gebrauch

1. Die Halterungen des Flaschenregals nach unten ziehen.
2. Flaschen in das Regal schieben.

Bei Nichtgebrauch kann das Flaschenregal platzsparend zusammengeklappt werden.



DE

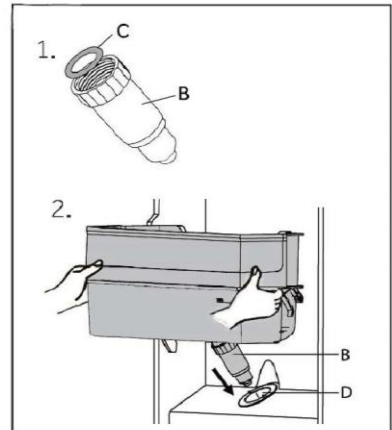
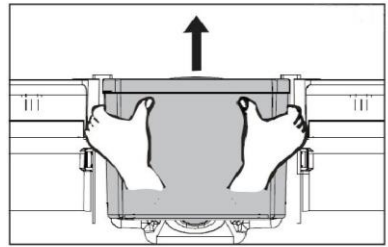
## Wassertank

### Wassertank entfernen

Der Wassertank kann zur Reinigung genau wie die Türfächer aus- und wieder eingebaut werden.

### Wassertank einsetzen

1. Vergewissern Sie sich, dass der Auslauf (B) fest mit dem Wassertank verschraubt ist und dass der weiße O-Ring (C) richtig sitzt.
2. Setzen Sie den Wassertank so ein, dass der Auslauf (B) in die Öffnung der Tür (D) passt.



### **i** Hinweis

- ▶ Vergewissern Sie sich, dass der Auslauf fest mit dem Wassertank verschraubt ist und dass der weiße O-Ring (C) richtig sitzt.
- ▶ Wenn der Wassertank nicht richtig eingesetzt ist, kann Wasser aus dem Anschluss tropfen.
- ▶ Wenden Sie beim Entfernen oder Einsetzen des Wassertanks keine übermäßige Kraft an, um eine Beschädigung des Tanks zu vermeiden.



### WARNUNG!

Trennen Sie das Gerät vor der Reinigung von der Stromversorgung.

### Reinigung

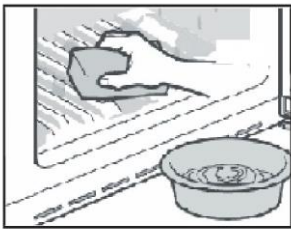
Reinigen Sie das Gerät, wenn nur wenig oder keine Lebensmittel gelagert werden.

Das Gerät sollte alle vier Wochen gereinigt werden, um eine gute Wartung zu gewährleisten und um schlechte Gerüche von gelagerten Lebensmitteln zu vermeiden.



### WARNUNG!

- ▶ Reinigen Sie das Gerät nicht mit harten Bürsten, Drahtbürsten, Reinigungspulver, Benzin, Amylacetat, Aceton und ähnlichen organischen Lösungen, Säure oder Alkalilösungen. Reinigen Sie das Gerät mit einem speziellen Reinigungsmittel für Kühlgeräte, um Beschädigungen zu vermeiden.
- ▶ Das Gerät während der Reinigung nicht besprühen oder mit Wasser beschütten.
- ▶ Das Gerät nicht mit Wasser besprühen oder mit Dampf reinigen.
- ▶ Die kalten Einlegeböden aus Glas nicht mit heißem Wasser reinigen. Plötzliche Temperaturschwankungen können dazu führen, dass das Glas zerspringt.
- ▶ Berühren Sie nicht die Innenfläche des Gefrierschranks, insbesondere nicht mit nassen Händen, da Ihre Hände an der Oberfläche festfrieren könnten.
- ▶ Überprüfen Sie bei eventuellem Temperaturanstieg den Zustand des Gefrierguts.



- ▶ Die Türdichtung immer sauber halten.
- ▶ Reinigen Sie das Innere und das Gehäuse des Geräts mit einem Schwamm, der mit warmem Wasser und einem neutralen Reinigungsmittel angefeuchtet wurde.
- ▶ 1. Säubern Sie den Kühlschrank innen und außen, einschließlich Türdichtungen, Türablage, Glasablagen, Schubladen usw., gründlich mit einem weichen Geschirrtuch oder einem Schwamm, der in warmes Wasser eingetaucht wurde (eventuell mit etwas neutralem Reinigungsmittel im Wasser).
- ▶ 2. Wenn Flüssigkeit verschüttet wurde, nehmen Sie alle verschmutzten Teile heraus, spülen Sie sie unter fließendem Wasser ab, trocknen Sie sie ab und setzen Sie sie wieder in den Kühlschrank ein.
- ▶ 3. Bei verschütteten Milchprodukten (z. B. Sahne, schmelzendes Eis) entfernen Sie die verunreinigten Teile, legen Sie sie für eine Weile in ca. 40 °C warmes Wasser, spülen Sie sie dann unter fließendem Wasser ab, trocknen Sie sie ab und setzen Sie sie wieder in den Kühlschrank ein.
- ▶ 4. Falls ein kleines Teil oder Krümel im Inneren des Kühlschranks (zwischen die Ablagen oder Schubladen) festsitzen, lösen Sie die Verunreinigung mit einer weichen Zahnbürste. Wenn Sie die Verunreinigung nicht entfernen konnten, wenden Sie sich bitte an den Haier-Kundendienst.

- ▶ Wischen Sie den Kühlschrank mit einem feuchten Tuch gründlich aus und trocknen Sie ihn mit einem weichen Tuch ab.
- ▶ Reinigen Sie Geräteteile nicht in einer Geschirrspülmaschine.
- ▶ Warten Sie vor dem Neustart des Geräts mindestens 5 Minuten, da ein häufiger Neustart den Kompressor beschädigen kann.

### Abtauen

Das Abtauen des Kühl- und Gefrierschranks erfolgt automatisch, es ist keine manuelle Tätigkeit erforderlich.

### Austausch der LED-Leuchten

DE



### **WARNUNG!**

Wechseln Sie die LED nicht selbst. Sie darf nur vom Hersteller oder von einem autorisierten Service-Mitarbeiter ausgetauscht werden.

Die Leuchte nutzt als Lichtquelle eine LED mit geringem Energieverbrauch und langer Lebensdauer. Bei Anomalien wenden Sie sich bitte an den Kundenservice. Siehe KUNDENSERVICE.

Parameter der Leuchte:

| Teil                   | LED-Lampe |
|------------------------|-----------|
| Spannung in V          | 12V       |
| Maximale Leistung in W | 1,5W      |
| LED-Spezifikation      | Weiß-2835 |
| LED-Effizienzklasse    | G         |
| Verwendungstemperatur  | -40-80°C  |

### **Nichtverwendung für einen längeren Zeitraum**

Wenn das Gerät über einen längeren Zeitraum nicht benutzt wird und Sie die Holiday-Funktion für den Kühlschrank nicht verwenden:

Nehmen Sie die Lebensmittel heraus.

Ziehen Sie das Netzkabel ab.

Reinigen Sie das Gerät wie oben beschrieben.

Lassen Sie die Türen auf, um zu verhindern, dass schlechter Geruch entsteht.



### **Hinweis**

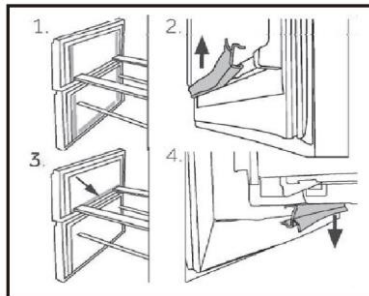
Schalten Sie das Gerät nur aus, wenn es unbedingt nötig ist.

### Abnehmbare, zusätzliche Türdichtungen

An den oberen und unteren Gefrierschubladen befinden sich sechs zusätzliche Türdichtungen.

1. Suchen Sie die fünf angegebenen Türdichtungen an den oberen und unteren Gefrierschubladen.
2. Achten Sie beim Anbringen darauf, dass die gebogenen Stellen der Dichtungen nach innen zeigen.
3. Bringen Sie die untere Dichtung der oberen Schublade wie gezeigt an.
4. Achten Sie darauf, dass der gebogene Teil dieser Dichtung beim Anbringen nach unten zeigt.

Diese zusätzlichen Dichtungen sowie die Drehtür-/Schubladen-Dichtungen erhalten Sie über den Kundendienst (siehe Garantiekarte).



### Verstellen des Geräts

1. Nehmen Sie alle Lebensmittel heraus und ziehen Sie den Gerätestecker aus der Steckdose.
2. Fixieren Sie die Einlegeböden und andere bewegliche Teile im Kühlschrank und im Gefrierschrank mit Klebeband.
3. Den Kühlschrank um maximal 45° kippen, um eine Beschädigung des Kühlsystems zu vermeiden.



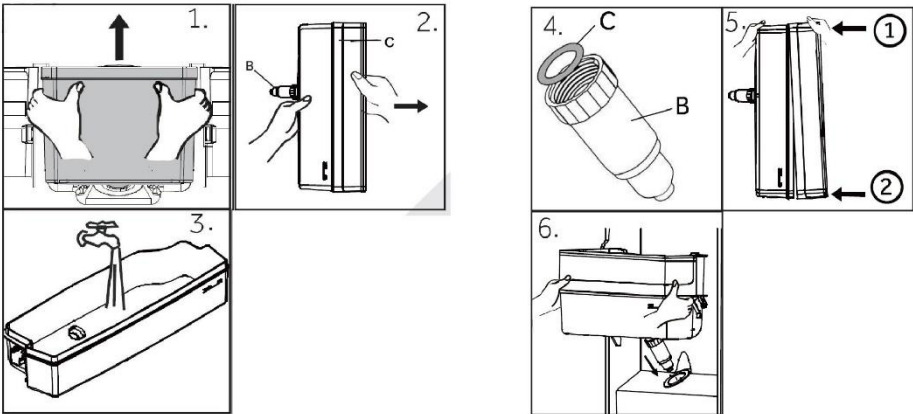
### WARNUNG!

- ▶ Heben Sie das Gerät nicht an seinen Griffen an.
- ▶ Stellen Sie das Gerät niemals waagrecht auf den Boden.



## Reinigen des Wassertanks

1. Nehmen Sie den Wassertank aus dem Gerät heraus.
2. Entfernen Sie den Deckel (C) und schrauben Sie den Auslauf (B) vorsichtig ab.
3. Reinigen Sie den Wassertank und den Auslauf mit warmem, fließendem Wasser und flüssigem Geschirrspülmittel. Vergewissern Sie sich, dass das Geschirrspülmittel ganz abgespült ist.
4. Montieren Sie den Zapfhahn (B) und achten Sie darauf, dass er fest mit dem Wassertank verschraubt ist und dass der weiße O-Ring (C) richtig sitzt.
5. Setze Sie den Deckel so auf, dass die eine Seite des Wassertanks mit der anderen verbunden ist. Prüfen Sie, ob der Wassertank und der Deckel vollständig montiert sind.
6. Setzen Sie den Tank wieder in das Gerät ein. Vergewissern Sie sich, dass der Zapfhahn richtig in die Öffnung der Tür eingesetzt ist.



### Hinweis

- ▶ Wenn der Wassertank nicht richtig eingesetzt ist, kann Wasser aus dem Anschluss tropfen.
- ▶ Wenden Sie beim Entfernen oder Einsetzen des Wassertanks keine übermäßige Kraft an, um eine Beschädigung des Tanks zu vermeiden.

Viele auftretende Probleme können von Ihnen selbst ohne spezifische Fachkenntnisse gelöst werden. Bei Problemen prüfen Sie bitte alle angezeigten Möglichkeiten und befolgen Sie die nachstehenden Anweisungen, bevor Sie einen Kundendienst kontaktieren. Siehe KUNDENSERVICE.



### WARNUNG!

- ▶ Das Gerät vor der Wartung deaktivieren und den Netzstecker aus der Steckdose ziehen.
- ▶ Elektrische Geräte sollten nur von qualifizierten Fachelektrikern repariert werden, da unsachgemäße Reparaturen erhebliche Folgeschäden verursachen können.
- ▶ Eine beschädigte Lieferung sollte nur vom Hersteller, von seinem Service-Mitarbeiter oder einer gleichwertig qualifizierten Person ausgetauscht werden, um jegliches Risiko zu vermeiden.

### Tabelle zur Fehlerbehebung

| Problem                               | Mögliche Ursache                                                                        | Mögliche Behebung                                                                                                                                                               |
|---------------------------------------|-----------------------------------------------------------------------------------------|---------------------------------------------------------------------------------------------------------------------------------------------------------------------------------|
| Der Kompressor funktioniert nicht.    | Der Netzstecker ist nicht an die Steckdose angeschlossen.                               | Den Netzstecker anschließen.                                                                                                                                                    |
|                                       | Das Gerät befindet sich im Abtauzyklus.                                                 | Dies ist normal für eine automatische Abtauung.                                                                                                                                 |
| Das Gerät läuft häufig oder zu lange. | Die Innen- oder Außentemperatur ist zu hoch.                                            | In diesem Fall ist es normal, dass das Gerät länger läuft.                                                                                                                      |
|                                       | Das Gerät wurde über einen längeren Zeitraum ausgeschaltet.                             | Normalerweise dauert es 8 bis 12 Stunden, bis das Gerät vollständig abgekühlt ist.                                                                                              |
|                                       | Eine Tür/Schublade wurde nicht richtig geschlossen.                                     | Die Tür/Schublade schließen und sicherstellen, dass das Gerät auf einem ebenen Untergrund steht und dass keine Lebensmittel oder Behälter gegen die Tür stoßen.                 |
|                                       | Die Tür/Schublade wurde zu häufig oder zu lange geöffnet.                               | Tür/Schublade nicht zu häufig öffnen.                                                                                                                                           |
|                                       | Die Temperatur für den Gefrierschrank ist zu niedrig.                                   | Die Temperatur höher einstellen, bis eine zufriedenstellende Kühlschranktemperatur erreicht ist. Es dauert 24 Stunden, bis sich die Temperatur im Kühlschrank stabilisiert hat. |
|                                       | Die Tür-/Schubladendichtungen sind verschmutzt, verschlissen, gerissen oder verrutscht. | Die Tür-/Schubladendichtungen reinigen oder vom Kundenservice ersetzen lassen.                                                                                                  |
|                                       | Die erforderliche Luftzirkulation ist nicht gewährleistet.                              | Für ausreichende Belüftung sorgen.                                                                                                                                              |

| Problem                                                                                            | Mögliche Ursache                                                | Mögliche Behebung                                                                        |
|----------------------------------------------------------------------------------------------------|-----------------------------------------------------------------|------------------------------------------------------------------------------------------|
| Das Innere des Kühlschranks ist schmutzig beziehungsweise überliechend.                            | Das Innere des Kühlschranks muss gereinigt werden.              | Das Innere des Kühlschranks reinigen.                                                    |
|                                                                                                    | Lebensmittel mit starkem Geruch werden im Kühlschrank gelagert. | Lebensmittel sorgfältig einpacken.                                                       |
| Das Innere des Geräts ist nicht kalt genug.                                                        | Temperatur zu hoch eingestellt.                                 | Die Temperatur zurücksetzen.                                                             |
|                                                                                                    | Es wurden zu warme Lebensmittel gelagert.                       | Lebensmittel vor dem Lagern immer abkühlen lassen.                                       |
|                                                                                                    | Es wurden zu viele Lebensmittel auf einmal hineingelegt.        | Nur kleinere Mengen an Lebensmitteln neu hineinlegen.                                    |
|                                                                                                    | Die Lebensmittel liegen zu dicht beieinander.                   | Zwischen mehreren Lebensmitteln einen Abstand lassen, damit die Luft zirkulieren kann.   |
|                                                                                                    | Eine Tür/Schublade wurde nicht richtig geschlossen.             | Die Tür/Schublade schließen.                                                             |
|                                                                                                    | Die Tür/Schublade wurde zu häufig oder zu lange geöffnet.       | Tür/Schublade nicht zu häufig öffnen.                                                    |
| Das Innere des Geräts ist zu kalt.                                                                 | Die Temperatur ist zu niedrig eingestellt.                      | Die Temperatur zurücksetzen.                                                             |
|                                                                                                    | Die Super Freeze-Funktion ist aktiviert oder läuft zu lange.    | Super Freeze-Funktion ausschalten.                                                       |
| Feuchtigkeitsbildung im Innern des Kühlfachs.                                                      | Das Klima ist zu warm und zu feucht.                            | Die Temperatur erhöhen.                                                                  |
|                                                                                                    | Eine Tür/Schublade wurde nicht richtig geschlossen.             | Die Tür/Schublade schließen.                                                             |
|                                                                                                    | Die Tür/Schublade wurde zu häufig oder zu lange geöffnet.       | Tür/Schublade nicht zu häufig öffnen.                                                    |
|                                                                                                    | Lebensmittelbehälter oder Flüssigkeiten werden offen gelassen.  | Heiße Speisen auf Raumtemperatur abkühlen lassen und Speisen und Flüssigkeiten abdecken. |
| Feuchtigkeit sammelt sich außen am Kühlschrank oder zwischen der oder den Türen und der Schublade. | Das Klima ist zu warm und zu feucht.                            | Das ist bei feuchtem Klima normal und ändert sich, wenn die Feuchtigkeit abnimmt.        |
|                                                                                                    | Tür/Schublade nicht richtig geschlossen.                        | Prüfen Sie, ob die Tür/Schublade fest geschlossen ist.                                   |

## Fehlerbehebung

| Problem                                                                       | Mögliche Ursache                                                                        | Mögliche Behebung                                                                                |
|-------------------------------------------------------------------------------|-----------------------------------------------------------------------------------------|--------------------------------------------------------------------------------------------------|
| Starke Eisbildung und Frost im Gefrierfach.                                   | Die Lebensmittel sind nicht angemessen verpackt.                                        | Lebensmittel immer gut verpacken.                                                                |
|                                                                               | Eine Tür/Schublade wurde nicht richtig geschlossen.                                     | Die Tür/Schublade schließen.                                                                     |
|                                                                               | Die Tür/Schublade wurde zu häufig oder zu lange geöffnet.                               | Tür/Schublade nicht zu häufig öffnen.                                                            |
|                                                                               | Die Tür-/Schubladendichtungen sind verschmutzt, verschlissen, gerissen oder verrutscht. | Die Tür-/Schubladendichtungen reinigen oder austauschen.                                         |
|                                                                               | Etwas im Inneren verhindert, dass die Tür/Schublade richtig schließt.                   | Die Einlegeböden, Türfächer oder Behälter so versetzen, dass die Tür/Schublade richtig schließt. |
| Das Gerät macht unnormale Geräusche.                                          | Das Gerät steht nicht auf einem ebenen Untergrund.                                      | Die Füße entsprechend einstellen, um das Gerät zu nivellieren.                                   |
|                                                                               | Das Gerät berührt einige Gegenstände um es herum.                                       | Die Gegenstände um das Gerät herum entfernen.                                                    |
| Es ist ein leichtes Geräusch zu hören, ähnlich wie dem von fließendem Wasser. | Das ist normal.                                                                         | /                                                                                                |
| Sie hören einen Signalton.                                                    | Die Kühlschranktür ist offen.                                                           | Tür oder schließen oder Alarm manuell ausschalten.                                               |
| Ein leises Summen ist zu hören.                                               | Das Antikondensationssystem arbeitet.                                                   | Dies verhindert Kondensation und ist normal.                                                     |
| Die Innenbeleuchtung oder das Kühlsystem funktioniert nicht.                  | Der Netzstecker ist nicht an die Steckdose angeschlossen.                               | Den Netzstecker anschließen.                                                                     |
|                                                                               | Die Stromversorgung ist nicht intakt.                                                   | Die Stromversorgung des Raums überprüfen. Den örtlichen Stromversorger anrufen!                  |
|                                                                               | Die LED-Leuchte ist defekt.                                                             | Den Kundenservice kontaktieren, um die Leuchte auszutauschen.                                    |
| Die Seitenwände des Geräts und die Türleiste werden warm.                     | Das ist normal.                                                                         | /                                                                                                |
| Es kommt kein Wasser aus dem Auslauf des Wasserspenders.                      | Die Sperre ist nicht deaktiviert.                                                       | Sperre deaktivieren.                                                                             |

## Stromunterbrechung

- ▶ Bei Stromausfall sollten die gelagerten Lebensmittel noch 13 Stunden lang kalt bleiben. Beachten Sie diese Tipps bei einer längeren Stromunterbrechung, insbesondere im Sommer.
- ▶ Öffnen Sie die Tür/Schublade so selten wie möglich.
- ▶ Legen Sie während eines Stromausfalls keine weiteren Lebensmittel in das Gerät.
- ▶ Wenn der Stromausfall vorher angekündigt wurde und die Unterbrechungsdauer länger als 13 Stunden ist, frieren Sie im Voraus ein paar Eiswürfel oder Kühlakkus ein, und legen Sie diese beim Stromausfall oben in das Kühlfach.
- ▶ Prüfen Sie nach dem Stromausfall direkt, ob die Lebensmittel verdorben sind.
- ▶ Da die Temperatur im Kühlschrank während einer Stromunterbrechung oder eines anderen Fehlers ansteigt, werden die Haltbarkeit und die Qualität der Lebensmittel reduziert. Aufgetaute Lebensmittel sollten entweder verzehrt oder gekocht und (sofern geeignet) gleich danach wieder eingefroren werden, um Gesundheitsrisiken zu vermeiden.



### Hinweis

#### Speicherfunktion bei Stromunterbrechung

Nach Wiederherstellung der Stromversorgung fährt das Gerät mit den Einstellungen fort, die vor dem Stromausfall eingestellt waren.

Um den technischen Kundendienst zu kontaktieren, besuchen Sie unsere Website: <https://corporate.haier-europe.com/en/>

Wählen Sie im Abschnitt „Website“ die Marke Ihres Produkts und Ihr Land aus. Sie werden auf die entsprechende Website weitergeleitet, auf der Sie die Telefonnummer und andere Möglichkeiten der Kontaktaufnahme mit dem technischen Kundendienst finden.

## Auspacken



### WARNUNG!

- ▶ Das Gerät ist schwer. Transportieren oder bewegen Sie es immer mit mindestens zwei Personen.
- ▶ Bewahren Sie sämtliches Packungsmaterial außerhalb der Reichweite von Kindern auf und entsorgen Sie es umweltfreundlich.
- ▶ Nehmen Sie das Gerät aus der Verpackung.
- ▶ Entfernen Sie alle Verpackungsmaterialien.

## Umgebungsbedingungen

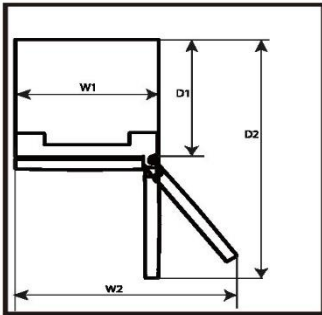
Die Raumtemperatur sollte immer zwischen 10°C und 43°C liegen, da sie die Temperatur im Inneren des Geräts und dessen Energieverbrauch beeinflussen kann. Das Gerät nicht in der Nähe anderer wärmeemittierender Geräte (Ofen, Kühlschränke) installieren.

## Wechseln der Türaufhängung

Bevor das Gerät fest installiert wird, muss überprüft werden, ob die Tür an der richtigen Seite montiert ist. Falls dies geändert werden muss, siehe Abschnitt WECHSELN DER TÜRUFHÄNGUNG.

## Platzbedarf

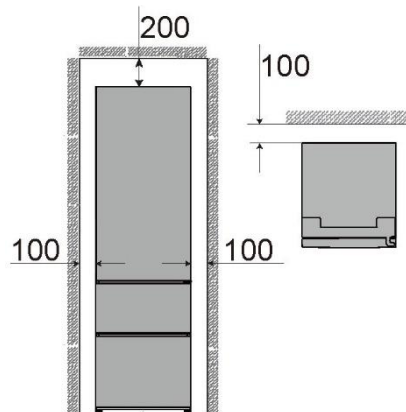
Erforderlicher Abstand bei geöffneter Tür:



| Breite des Geräts in mm |     | Tiefe des Geräts in mm |      |
|-------------------------|-----|------------------------|------|
| W1                      | B2  | T1                     | D2   |
| 595                     | 918 | 600                    | 1220 |

## Platzbedarf für ausreichende Belüftung

Damit eine ausreichende Belüftung des Geräts gewährleistet wird, dürfen die Hinweise zum ausreichenden Platzbedarf aus Sicherheitsgründen nicht missachtet werden.



## Wechseln der Türaufhängung

Bevor Sie das Gerät an die Stromversorgung anschließen, sollten Sie prüfen, ob der Türanschlag von rechts (nach der Lieferung) nach links gewechselt werden muss, wenn der Installationsort und die Nutzbarkeit dies erfordern.



### WARNUNG!

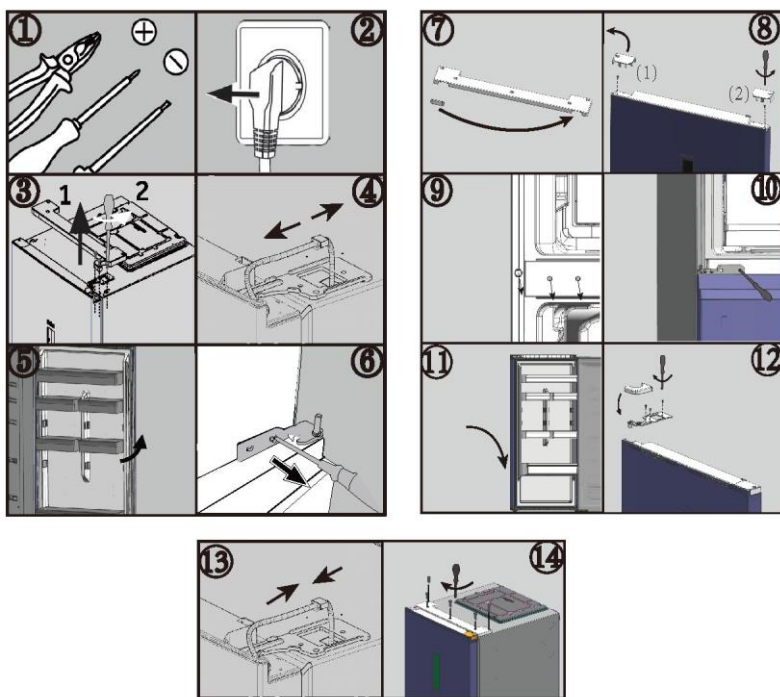
- ▶ Das Gerät ist schwer. Sie benötigen zwei Personen, um die Türaufhängung zu ändern.
- ▶ Vor dem Eingriff müssen Sie zuerst den Gerätestecker aus der Steckdose ziehen.
- ▶ Das Gerät nicht um mehr als 45 ° kippen, um Schäden am Kühlsystem zu vermeiden.

DE

## Montageschritte

1. Das notwendige Werkzeug bereitstellen.
2. Ziehen Sie den Netzstecker des Gerätes.
3. Entfernen Sie die obere Scharnierabdeckung (1) und schrauben Sie das obere Scharnier (drei Schrauben) auf der rechten Seite ab (2).
4. Lösen Sie das Verbindungskabel.
5. Heben Sie die lose Kühlschrantür vorsichtig aus dem unteren Scharnier.
6. Entfernen Sie das untere Scharnier der oberen Tür.
7. Setzen Sie die kleine Abdeckung der Frontblende von links nach rechts.
8. Drehen Sie die Tür auf den Kopf und schrauben Sie die Abdeckung (1) ab. Nehmen Sie die neue Abdeckung (2) aus dem mitgelieferten Beutel und schrauben Sie sie auf der gegenüberliegenden Seite fest.
9. Ändern Sie die Positionen der Blindstopfen und der Schraube an der Seite.
10. Schrauben Sie das untere Scharnier an der linken Seite des Geräts fest.
11. Heben Sie die obere Tür vorsichtig am unteren Scharnier an. Achten Sie darauf, dass der Zapfen in den Scharnierzylinder der unteren Tür passt.
12. Nehmen Sie das neue obere Scharnier und die Scharnierabdeckung aus der Zubehörtasche. Führen Sie das Anschlusskabel durch das obere Scharnier und befestigen Sie das obere Scharnier mit den drei Schrauben auf der linken Seite des Geräts. Setzen Sie dann die Scharnierabdeckung auf.
13. Stecken Sie das Anschlusskabel ein.
14. Setzen Sie die vordere Abdeckung wieder auf und befestigen Sie sie mit fünf Schrauben.

Prüfen Sie nach dem Austausch der Tür, ob die Türdichtungen richtig am Gehäuse sitzen und alle Schrauben gut angezogen sind.



## Umgebungstemperaturen

**Subnormal:** Dieses Kühlgerät ist für die Verwendung bei einer Umgebungstemperatur zwischen 10°C und 32°C ausgelegt.

**Normal:** Dieses Kühlgerät ist für die Verwendung bei einer Umgebungstemperatur zwischen 16°C und 32°C ausgelegt.

**Subtropisch:** Dieses Kühlgerät ist für die Verwendung bei einer Umgebungstemperatur zwischen 16°C und 38°C ausgelegt.

**Tropisch:** Dieses Kühlgerät ist für die Verwendung bei einer Umgebungstemperatur zwischen 16°C und 43°C ausgelegt.



**Produktdatenblatt gemäß EU-Nr. 2019/2016**

Basierend auf Standard-Testergebnissen für 24 Stunden. Der tatsächliche Energieverbrauch hängt davon ab, wie das Gerät verwendet wird und wo es steht.

| Handelsmarke                                                                                                                    | Haier                       | Haier                       | Haier                       |
|---------------------------------------------------------------------------------------------------------------------------------|-----------------------------|-----------------------------|-----------------------------|
| Modellkennung                                                                                                                   | HTW5618DN*                  | HTW5620DN*                  | HTW5618DW*                  |
| Kategorie des Modells                                                                                                           | Kühl-<br>Gefrierkombination | Kühl-<br>Gefrierkombination | Kühl-<br>Gefrierkombination |
| Energieeffizienzklasse                                                                                                          | D                           | D                           | D                           |
| Jährlicher<br>Energieverbrauch<br>(kWh/Jahr)                                                                                    | 217                         | 226                         | 216                         |
| Volumen<br>Kühlschrank (L)                                                                                                      | 201                         | 255                         | 198                         |
| Volumen<br>Gefrierschrank (L)                                                                                                   | 125                         | 125                         | 125                         |
| Volumen My Zone (L)                                                                                                             | 34                          | 34                          | 34                          |
| Sterne-Bewertung                                                                                                                | 4                           | 4                           | 4                           |
| Frostfreies System                                                                                                              | Ja                          | Ja                          | Ja                          |
| Stromausfallsicher-<br>heit(h)/Temperatur-<br>anstiegszeit(h)                                                                   | 13                          | 13                          | 13                          |
| Gefrierleistung<br>(kg/24h)                                                                                                     | 10                          | 10                          | 10                          |
| Klimaklasse<br>Dieses Gerät ist für die<br>Verwendung bei einer<br>Umgebungstempera-<br>tur zwischen 10°C und<br>43°C ausgelegt | SN/N/ST/T                   | SN/N/ST/T                   | SN/N/ST/T                   |
| Geräuschemissions-<br>klasse und<br>Luftschallemissionen<br>(db(A) re 1pW)                                                      | 35                          | 35                          | 35                          |

|                                                                                                                            |                         |                         |
|----------------------------------------------------------------------------------------------------------------------------|-------------------------|-------------------------|
| Handelsmarke                                                                                                               | Haier                   | Haier                   |
| Modellkennung                                                                                                              | HTW5618CN*              | HTW5620CN*              |
| Kategorie des Modells                                                                                                      | Kühl-Gefrierkombination | Kühl-Gefrierkombination |
| Energieeffizienzklasse                                                                                                     | C                       | C                       |
| Jährlicher Energieverbrauch (kWh/Jahr)                                                                                     | 173                     | 181                     |
| Volumen Kühlschrank (L)                                                                                                    | 201                     | 255                     |
| Volumen Gefrierschrank (L)                                                                                                 | 125                     | 125                     |
| Volumen My Zone (L)                                                                                                        | 34                      | 34                      |
| Sterne-Bewertung                                                                                                           | 4                       | 4                       |
| Frostfreies System                                                                                                         | Ja                      | Ja                      |
| Stromausfallsicherheit(h)/<br>Temperaturanstiegszeit(h)                                                                    | 13                      | 13                      |
| Gefrierleistung (kg/24h)                                                                                                   | 10                      | 10                      |
| Klimaklasse<br>Dieses Gerät ist für die<br>Verwendung bei einer<br>Umgebungstemperatur zwischen<br>10°C und 43°C ausgelegt | SN/N/ST/T               | SN/N/ST/T               |
| Geräuschemissionsklasse und<br>Luftschallemissionen<br>(db(A) re 1pW)                                                      | 35                      | 35                      |

**Produktdatenblatt gemäß EU-Nr. 2019/2016**

Basierend auf Standard-Testergebnissen für 24 Stunden. Der tatsächliche Energieverbrauch hängt davon ab, wie das Gerät verwendet wird und wo es steht.

|                                                                                                                   |                             |                             |                             |
|-------------------------------------------------------------------------------------------------------------------|-----------------------------|-----------------------------|-----------------------------|
| Handelsmarke                                                                                                      | Haier                       | Haier                       | Haier                       |
| Modellkennung                                                                                                     | HDPW5618DN*                 | HDPW5620DN*                 | HDPW5618DW*                 |
| Kategorie des Modells                                                                                             | Kühl-<br>Gefrierkombination | Kühl-<br>Gefrierkombination | Kühl-<br>Gefrierkombination |
| Energieeffizienzklasse                                                                                            | D                           | D                           | D                           |
| Jährlicher Energieverbrauch (kWh/Jahr)                                                                            | 214                         | 220                         | 214                         |
| Volumen Kühlschrank (L)                                                                                           | 201                         | 255                         | 198                         |
| Volumen Gefrierschrank (L)                                                                                        | 117                         | 117                         | 117                         |
| Volumen My Zone (L)                                                                                               | 34                          | 34                          | 34                          |
| Sterne-Bewertung                                                                                                  | 4                           | 4                           | 4                           |
| Frostfreies System                                                                                                | Ja                          | Ja                          | Ja                          |
| Stromausfallsicherheit(h)/Temperaturanstiegszeit(h)                                                               | 13                          | 13                          | 13                          |
| Gefrierleistung (kg/24h)                                                                                          | 10                          | 10                          | 10                          |
| Klimaklasse<br>Dieses Gerät ist für die Verwendung bei einer Umgebungstemperatur zwischen 10°C und 43°C ausgelegt | SN/N/ST/T                   | SN/N/ST/T                   | SN/N/ST/T                   |
| Geräuschemissionsklasse und Luftschallemissionen (db(A) re 1pW)                                                   | 35                          | 35                          | 35                          |

| Handelsmarke                                                                                                                    | Haier                       | Haier                       | Haier                       |
|---------------------------------------------------------------------------------------------------------------------------------|-----------------------------|-----------------------------|-----------------------------|
| Modellkennung                                                                                                                   | HDPW5618CN*                 | HDPW5620CN*                 | HDPW5620AN*                 |
| Kategorie des Modells                                                                                                           | Kühl-<br>Gefrierkombination | Kühl-<br>Gefrierkombination | Kühl-<br>Gefrierkombination |
| Energieeffizienzklasse                                                                                                          | C                           | C                           | A                           |
| Jährlicher<br>Energieverbrauch<br>(kWh/Jahr)                                                                                    | 171                         | 176                         | 114                         |
| Volumen<br>Kühlschrank (L)                                                                                                      | 201                         | 255                         | 255                         |
| Volumen<br>Gefrierschrank (L)                                                                                                   | 117                         | 117                         | 120                         |
| Volumen My Zone (L)                                                                                                             | 34                          | 34                          | 34                          |
| Sterne-Bewertung                                                                                                                | 4                           | 4                           | 4                           |
| Frostfreies System                                                                                                              | Ja                          | Ja                          | Ja                          |
| Stromausfallsicher-<br>heit(h)/Temperatur-<br>anstiegszeit(h)                                                                   | 13                          | 13                          | 16                          |
| Gefrierleistung<br>(kg/24h)                                                                                                     | 10                          | 10                          | 10                          |
| Klimaklasse<br>Dieses Gerät ist für die<br>Verwendung bei einer<br>Umgebungstempera-<br>tur zwischen 10°C und<br>43°C ausgelegt | SN/N/ST/T                   | SN/N/ST/T                   | SN/N/ST/T                   |
| Geräuschemissions-<br>klasse und<br>Luftschallemissionen<br>(db(A) re 1pW)                                                      | 35                          | 35                          | 35                          |

## Zusätzliche technische Daten

| Modellkennung             | HTW5618D*                           | HTW5620DN*    | HTW5618CN*    | HTW5620CN*    |
|---------------------------|-------------------------------------|---------------|---------------|---------------|
| Gesamtvolumen (L)         | 360<br>(357 für<br>HTW5618DWMG(UK)) | 414           | 360           | 414           |
| Spannung /<br>Frequenz    | 220~240V/50Hz                       | 220~240V/50Hz | 220~240V/50Hz | 220~240V/50Hz |
| Eingangsstrom (A)         | 1.4A                                | 1.4A          | 1.4A          | 1.4A          |
| Hauptsicherung (A)        | 16A                                 | 16A           | 15A           | 15A           |
| Kühlmittel/Menge          | R600a/53g                           | R600a/53g     | R600a/50g     | R600a/50g     |
| Abmessungen (B/T/H in mm) | 595*667*1850                        | 595*667*2050  | 595*667*1850  | 595*667*2050  |

DE

| Modellkennung             | HDPW5618D*   | HDPW5618DW*  | HDPW5620DN*  |
|---------------------------|--------------|--------------|--------------|
| Gesamtvolumen (L)         | 352          | 349          | 406          |
| Spannung /<br>Frequenz    | 220~240/50Hz | 220~240/50Hz | 220~240/50Hz |
| Eingangsstrom (A)         | 1.4A         | 1.4A         | 1.4A         |
| Hauptsicherung (A)        | 16A          | 16A          | 16A          |
| Kühlmittel /<br>Menge     | R600a/53g    | R600a/53g    | R600a/53g    |
| Abmessungen (B/T/H in mm) | 595*667*1850 | 595*667*1850 | 595*667*2050 |

| Modellkennung             | HDPW5618CN*  | HDPW5620CN*  | HDPW5620AN*  |
|---------------------------|--------------|--------------|--------------|
| Gesamtvolumen (L)         | 352          | 406          | 409          |
| Spannung / Frequenz       | 220-240/50Hz | 220-240/50Hz | 220-240/50Hz |
| Eingangsstrom (A)         | 1.4A         | 1.4A         | 1.4A         |
| Hauptsicherung (A)        | 15A          | 15A          | 15A          |
| Kühlmittel / Menge        | R600a/50g    | R600a/50g    | R600a/50g    |
| Abmessungen (B/T/H in mm) | 595*667*1850 | 595*667*2050 | 595*667*2050 |

### Normen und Richtlinien

Dieses Produkt erfüllt die Anforderungen aller geltenden EG-Richtlinien mit den entsprechenden harmonisierten Normen, die eine CE-Kennzeichnung vorsehen.

Wir empfehlen unseren Haier Kundenservice und die Verwendung von Original-Ersatzteilen.

Wenn Sie Probleme mit dem Gerät haben, lesen Sie bitte zuerst den Abschnitt „FEHLERBEHEBUNG“.

Wenn Sie dort keine Lösung finden, wenden Sie sich bitte an

- ▶ Ihren Händler vor Ort oder
- ▶ an unser Europäisches Call-Service-Center (siehe unten aufgeführte Telefonnummern) oder
- ▶ an den Service und Support unter [www.haier.com](http://www.haier.com), wo Sie den Service aktivieren können.
- ▶ Hier finden Sie auch FAQs.

Um unseren Kundendienst zu kontaktieren, stellen Sie sicher, dass Sie die folgenden Daten zur Hand haben.

Die Informationen finden Sie auf dem Typenschild.

Modell \_\_\_\_\_

Seriennummer \_\_\_\_\_

Prüfen Sie im Garantiefall auch die mit dem Produkt mitgelieferte Garantiekarte.

| Europäisches Call-Service-Center |                 |                                                                                                                  |
|----------------------------------|-----------------|------------------------------------------------------------------------------------------------------------------|
| Land*                            | Telefonnummer   | Kosten                                                                                                           |
| Haier Italy (IT)                 | 199 100 912     |                                                                                                                  |
| Haier Spain (ES)                 | 902 509 123     |                                                                                                                  |
| Haier Germany (DE)               | 0180 5 39 39 99 | <ul style="list-style-type: none"> <li>• 14 Ct/Min Festnetz</li> <li>• max. 42 Ct/Min Mobil</li> </ul>           |
| Haier Austria (AT)               | 0820 001 205    | <ul style="list-style-type: none"> <li>• 14,53 Ct/Min Festnetz</li> <li>• max. 20 Ct/Min alle anderen</li> </ul> |
| Haier United Kingdom (UK)        | 0333 003 8122   |                                                                                                                  |
| Haier France (FR)                | 0980 406 409    |                                                                                                                  |

\* Weitere Informationen finden Sie unter [www.haier.com](http://www.haier.com)

Haier Europe Trading S.r.l

Niederlassung UK

Westgate House, Westgate, Ealing

London, W5 1YY

\*Gewährleistungsdauer des Kühlgeräts:

Die Mindestgarantie beträgt: 2 Jahre für EU-Länder, 3 Jahre für die Türkei, 1 Jahr für Großbritannien, 1 Jahr für Russland, 3 Jahre für Schweden, 2 Jahre für Serbien, 5 Jahre für Norwegen, 1 Jahr für Marokko, 6 Monate für Algerien, Tunesien keine gesetzliche Gewährleistung erforderlich.

\*Der Zeitraum für die Beschaffung von Ersatzteilen für die Reparatur des Geräts:

Thermostate, Temperatursensoren, Leiterplatten und Leuchtmittel sind für einen Zeitraum von mindestens sieben Jahren nach Inverkehrbringen des letzten Gerätes des Modells erhältlich.

Türgriffe, Türscharniere, Ablagen und Schubladen für eine Mindestdauer von sieben Jahren und Türdichtungen für eine Mindestdauer von 10 Jahren, nachdem das letzte Gerät des Modells in Verkehr gebracht wurde.

\*Weitere Informationen zum Produkt finden Sie entweder unter <https://eprel.ec.europa.eu/> oder Sie scannen den QR-Code auf dem Energielabel, das dem Gerät beiliegt.





|                                         |     |
|-----------------------------------------|-----|
| Πληροφορίες ασφάλειας.....              | 201 |
| Προβλεπόμενη χρήση .....                | 207 |
| Περιγραφή προϊόντος.....                | 208 |
| Πίνακας ελέγχου .....                   | 214 |
| Χρήση.....                              | 215 |
| Χρήση WI-FI .....                       | 220 |
| Χρήση.....                              | 221 |
| Συμβουλές Εξοικονόμησης Ενέργειας ..... | 224 |
| Εξοπλισμός .....                        | 225 |
| Φροντίδα και καθαρισμός .....           | 229 |
| Αντιμετώπιση προβλημάτων.....           | 233 |
| Εγκατάσταση.....                        | 237 |
| Τεχνικά δεδομένα.....                   | 240 |
| Εξυπηρέτηση πελατών .....               | 246 |

EL

---

**Ευχαριστούμε που αγοράσατε ένα προϊόν Haier.**

Παρακαλούμε διαβάστε προσεκτικά αυτές τις οδηγίες πριν από την χρήση αυτής της συσκευής. Οι οδηγίες περιέχουν σημαντικές πληροφορίες που θα σας βοηθήσουν να κατανοήσετε καλύτερα τη συσκευή και να εξασφαλίσετε την ασφαλή και σωστή εγκατάσταση, χρήση και συντήρηση.

Φυλάξτε αυτό το εγχειρίδιο σε μια προσβάσιμη θέση, ώστε να μπορείτε πάντα να ανατρέξετε σε αυτό για την ασφαλή και σωστή χρήση της συσκευής.

Εάν πουλήσετε τη συσκευή, τη χαρίσετε ή την αφήσετε πίσω όταν μετακομίσετε από το σπίτι, βεβαιωθείτε ότι έχετε αφήσει επίσης και αυτό το εγχειρίδιο, ώστε ο νέος ιδιοκτήτης να εξοικειωθεί με τη συσκευή και τις προειδοποιημένες ασφαλείας με τη βοήθεια του εγχειριδίου.



## ΠΡΟΕΙΔΟΠΟΙΗΣΗ - Σημαντικές πληροφορίες ασφάλειας



## ΠΑΡΑΤΗΡΗΣΗ-Γενικές πληροφορίες και συμβουλές



## Περιβαλλοντικές πληροφορίες

EL

### Απόρριψη



Βοήθεια και συμβολή στην προστασία του περιβάλλοντος και της ανθρώπινης υγείας. Τοποθετήστε τη συσκευασία σε κατάλληλα δοχεία για την ανακύκλωση της. Συμβολή στην ανακύκλωση των αποβλήτων ηλεκτρικών και ηλεκτρονικών συσκευών. Συσκευές που φέρουν αυτό το σύμβολο μην τις απορρίψετε μαζί με τα οικιακά απορρίμματα. Επιστρέψτε το προϊόν στην τοπική μονάδα ανακύκλωσης ή επικοινωνήστε με το αρμόδιο δημοτικό γραφείο του Δήμου σας.



## ΠΡΟΕΙΔΟΠΟΙΗΣΗ!

Κίνδυνος τραυματισμού ή ασφυξίας!

Τα ψυκτικά μέσα και τα αέρια πρέπει να απορρίπτονται επαγγελματικά. Βεβαιωθείτε ότι η σωλήνωση του κυκλώματος ψυκτικού δεν έχει υποστεί ζημιά πριν απορριφθεί σωστά. Αποσυνδέστε τη συσκευή από την πρίζα παροχής ρεύματος. Κόψτε το καλώδιο τροφοδοσίας και απορρίψτε το. Αφαιρέστε τους δίσκους και τα συρτάρια, καθώς και τα αλιεύματα και τις σφραγίδες της πόρτας, για να αποτρέψετε τα παιδιά και τα κατοικίδια ζώα να κλείσουν στη συσκευή.

## Διαβάστε τις παρακάτω υποδείξεις ασφαλείας πριν ενεργοποιήσετε τη συσκευή για πρώτη φορά:



### ΠΡΟΕΙΔΟΠΟΪΗΣΗ!

#### Πριν από την πρώτη χρήση

- ▶ Βεβαιωθείτε ότι δεν υπάρχει ζημιά εξαιτίας της μεταφοράς.
- ▶ Αφαιρέστε όλες τις συσκευασίες και κρατήστε τις μακριά από τα παιδιά.
- ▶ Περιμένετε τουλάχιστον δύο ώρες πριν τοποθετήσετε τη συσκευή για να βεβαιωθείτε ότι το κύκλωμα του ψυκτικού είναι πλήρως αποτελεσματικό.
- ▶ Χειριστείτε τη συσκευή πάντοτε με δύο άτομα τουλάχιστον, διότι είναι βαριά.

#### Εγκατάσταση

- ▶ Η συσκευή πρέπει να τοποθετηθεί σε καλά αεριζόμενο μέρος. Βεβαιωθείτε ότι υπάρχει χώρος τουλάχιστον 10 εκατοστών πάνω και γύρω από τη συσκευή.
- ▶ Μην τοποθετείτε ποτέ τη συσκευή σε υγρή περιοχή ή θέση όπου μπορεί να πιτσιλιστεί ή βραχεί με νερό. Καθαρίστε και ξύστε τις ξεραμένες πιτσιλιές νερού και λεκέδες με ένα μαλακό καθαρό πανί.
- ▶ Μην εγκαθιστάτε τη συσκευή σε σημείο με άμεσο ηλιακό φως ή κοντά σε πηγές θερμότητας (π.χ. σόμπες, θερμαντήρες).
- ▶ Εγκαταστήστε και τοποθετήστε τη συσκευή σε μια περιοχή κατάλληλη για το μέγεθος και τη χρήση της.
- ▶ Διατηρείτε τα ανοίγματα εξαερισμού στη συσκευή ή την ενσωματωμένη δομή ελεύθερα εμποδίων.
- ▶ Βεβαιωθείτε ότι οι ηλεκτρολογικές πληροφορίες στην πινακίδα τύπου συμφωνούν με την αντίστοιχη παροχή ρεύματος. Εάν όχι, επικοινωνήστε με έναν ηλεκτρολόγο.
- ▶ Η συσκευή λειτουργεί με τροφοδοσία 220-240 VAC / 50 Hz. Η μη φυσιολογική διακύμανση της τάσης μπορεί να προκαλέσει την αποτυχία εκκίνησης της συσκευής ή ζημιά στον έλεγχο θερμοκρασίας ή τον συμπιεστή ή μπορεί να υπάρχει ανώμαλος θόρυβος κατά τη λειτουργία. Στην περίπτωση αυτή, πρέπει να τοποθετηθεί ένας αυτόματος ρυθμιστής.
- ▶ Χρησιμοποιήστε μια ξεχωριστή γειωμένη πρίζα για την παροχή ηλεκτρικής ισχύος, η οποία να είναι εύκολα προσβάσιμη. Αυτή η συσκευή πρέπει να είναι γειωμένη.
- ▶ Μόνο για το Ηνωμένο Βασίλειο: Το καλώδιο τροφοδοσίας της συσκευής είναι εξοπλισμένο με βύσμα 3-καλωδίων (με γείωση) που ταιριάζει σε μια τυπική πρίζα 3-καλωδίων (πρίζα με γείωση). Ποτέ μην κόβετε ή αποσυναρμολογείτε τον τρίτο πείρο (γείωση). Μετά την εγκατάσταση της συσκευής, το βύσμα πρέπει να είναι άμεσα προσβάσιμο.
- ▶ Μην χρησιμοποιείτε προσαρμογείς πολλαπλών θέσεων (πολύπριζα) και καλώδια επέκτασης / προέκτασης.
- ▶ Βεβαιωθείτε ότι το καλώδιο τροφοδοσίας δεν έχει παγιδευτεί από το ψυγείο. Μην πατάτε το καλώδιο τροφοδοσίας.
- ▶ Αποφύγετε την πρόκληση ζημιών στο κύκλωμα ψύξης.
- ▶ Μην τοποθετείτε πολλαπλές φορητές πρίζες ή φορητά τροφοδοτικά στο πίσω μέρος της συσκευής.

**ΠΡΟΕΙΔΟΠΟΙΗΣΗ!****Καθημερινή χρήση**

- ▶ Η συσκευή αυτή μπορεί να χρησιμοποιείται από παιδιά ηλικίας άνω των 8 ετών και από άτομα με μειωμένες σωματικές, αισθητηριακές ή διανοητικές ικανότητες ή έλλειψη εμπειρίας και γνώσης, εφόσον βρίσκονται υπό εποπτεία ή λάβουν οδηγίες σχετικά με τη χρήση της συσκευής με ασφαλή τρόπο και έχουν κατανοήσει τους ενεχόμενους κινδύνους.
- ▶ Τα παιδιά δεν επιτρέπεται να παίζουν με τη συσκευή.
- ▶ Τα παιδιά ηλικίας 3 έως 8 ετών επιτρέπεται να τοποθετούν και να βγάζουν (αντικείμενα) από τις ψυκτικές συσκευές, αλλά δεν επιτρέπεται να καθαρίζουν και να εγκαθιστούν τις ψυκτικές συσκευές.
- ▶ Κρατήστε τα παιδιά κάτω των 3 ετών μακριά από τη συσκευή, εκτός εάν βρίσκονται διαρκώς υπό επίβλεψη.
- ▶ Ο καθαρισμός και οι εργασίες συντήρησης από τον χρήστη απαγορεύεται να γίνονται από παιδιά χωρίς επιτήρηση.
- ▶ Η συσκευή πρέπει να είναι τοποθετημένη έτσι ώστε η πρίζα να είναι προσβάσιμη.
- ▶ Εάν υπάρχει διαρροή ψυκτικού αερίου ή άλλου εύφλεκτου αερίου κοντά στη συσκευή, κλείστε τη βαλβίδα του αερίου που διαρρέει, ανοίξτε τις πόρτες και τα παράθυρα και μην αποσυνδέσετε ή συνδέσετε το καλώδιο τροφοδοσίας του ψυγείου ή οποιασδήποτε άλλης συσκευής.
- ▶ Σημειώστε ότι η συσκευή έχει ρυθμιστεί για λειτουργία σε συγκεκριμένο εύρος θερμοκρασίας περιβάλλοντος μεταξύ 10°C και 43 °C. Η συσκευή ενδέχεται να μην λειτουργεί σωστά εάν αφεθεί για μεγάλο χρονικό διάστημα σε θερμοκρασία υψηλότερη ή χαμηλότερη από το υποδεικνυόμενο εύρος τιμών.
- ▶ Μην τοποθετείτε ασταθή αντικείμενα (βαριά αντικείμενα, δοχεία γεμάτα με νερό) στο πάνω μέρος του ψυγείου/καταψύκτη, για να αποφύγετε τραυματισμούς που προκαλούνται από πτώση ή ηλεκτροπληξία που προκαλείται από την επαφή με το νερό.
- ▶ Μην τραβάτε τα ράφια της πόρτας. Η πόρτα μπορεί να βγει από τη θέση της, η σχάρα για τα μπουκάλια μπορεί να τραβηχτεί μακριά ή η συσκευή μπορεί να ανατραπεί.
- ▶ Ανοίξτε και κλείστε την πόρτα μόνο από τις λαβές. Το χάσμα μεταξύ της πόρτας και του ντουλαπιού είναι πολύ στενό. Μην βάζετε τα χέρια σας σε αυτές τις περιοχές για να αποφύγετε τη σύνθλιψη των δακτύλων σας. Ανοίξτε ή κλείστε τις πόρτες του ψυγείου/καταψύκτη μόνο όταν δεν υπάρχουν παιδιά που να στέκονται εντός του εύρους κίνησης της πόρτας.
- ▶ Ποτέ μην αποθηκεύετε στον καταψύκτη μπύρες ή ποτά, υγρά μέσα σε φιάλες ή κουτάκια (πέραν των αλκοολούχων υψηλού βαθμού), ιδιαίτερα ανθρακούχα αναψυκτικά, καθώς μπορούν να διαρραγούν κατά την ψύξη.
- ▶ Μην αποθηκεύετε εκρηκτικές ουσίες όπως δοχεία αερολύματος με εύφλεκτο περιεχόμενο σε αυτή τη συσκευή.



## ΠΡΟΕΙΔΟΠΟΪΣΗ!

- ▶ Μην αποθηκεύετε φάρμακα, βακτήρια ή χημικούς παράγοντες στη συσκευή. Αυτή η συσκευή είναι μια οικιακή συσκευή. Δεν συνιστάται η αποθήκευση υλικών που απαιτούν αυστηρές θερμοκρασίες.
- ▶ Για την αποφυγή της μόλυνσης των τροφίμων, ακολουθήστε τις παρακάτω οδηγίες:
  - ▶ - Το άνοιγμα της πόρτας για μεγάλα διαστήματα μπορεί να προκαλέσει σημαντική αύξηση της θερμοκρασίας στους θαλάμους της συσκευής.
  - ▶ - Καθαρίζετε τακτικά τις επιφάνειες που έρχονται σε επαφή με τρόφιμα και προσβάσιμα συστήματα αποστράγγισης.
  - ▶ - Καθαρίζετε τα δοχεία νερού, εάν δεν έχουν χρησιμοποιηθεί για 48 ώρες. Ξεπλύνετε το σύστημα νερού που συνδέεται σε παροχή νερού, εάν δεν έχει εκτελεστεί άντληση νερού για 5 ημέρες.
  - ▶ - Αποθηκεύετε το ωμό κρέας και τα ψάρια σε κατάλληλα δοχεία στο ψυγείο, ώστε να μην έρχονται σε επαφή και να μην στάζουν επάνω σε άλλα τρόφιμα.
  - ▶ - Οι θάλαμοι κατεψυγμένων τροφίμων δύο αστέρων είναι κατάλληλοι για την αποθήκευση προ-κατεψυγμένων τροφίμων, την αποθήκευση ή παρασκευή παγωτού και την παρασκευή πάγου.
  - ▶ - Οι θάλαμοι ενός, δύο και τριών αστέρων δεν είναι κατάλληλοι για την ψύξη νωπών τροφίμων.
  - ▶ - Εάν η συσκευή ψύξης παραμείνει κενή για μεγάλα χρονικά διαστήματα, απενεργοποιήστε, αποψύξτε, καθαρίστε, σκουπίστε και αφήστε την πόρτα ανοικτή για να αποτρέψετε τη δημιουργία μούχλας στη συσκευή.
  - ▶ Ελέγξτε την κατάσταση των τροφίμων εάν έχουν προηγηθεί συνθήκες θέρμανσης στον καταψύκτη.
  - ▶ Μην ορίσετε άσκοπα χαμηλή θερμοκρασία στον θάλαμο του ψυγείου. Οι αρνητικές θερμοκρασίες μπορεί να εμφανιστούν σε υψηλές ρυθμίσεις. Προσοχή: Τα μπουκάλια μπορούν να σκάσουν.
  - ▶ Μην αγγίζετε κατεψυγμένα προϊόντα με βρεγμένα χέρια (φοράτε γάντια). Ειδικά μην πιείτε (τρώτε) γρανίτες αμέσως μετά την αφαίρεση από τον θάλαμο κατάψυξης. Υπάρχει ο κίνδυνος κατάψυξης ή σχηματισμός φουσκαλών παγετού. ΠΡΩΤΕΣ βοήθειες: κρατήστε αμέσως κάτω από τρεχούμενο κρύο νερό. Μην τα απομακρύνετε!
  - ▶ Μην αγγίζετε την εσωτερική επιφάνεια του χώρου αποθήκευσης του καταψύκτη όταν λειτουργείτε, ειδικά με βρεγμένα χέρια, καθώς τα χέρια σας μπορεί να παγώσουν στην επιφάνεια.
  - ▶ Αποσυνδέστε τη συσκευή από την πρίζα σε περίπτωση διακοπής ρεύματος ή πριν από τον καθαρισμό. Αφήστε τουλάχιστον 7 λεπτά πριν από την επανεκκίνηση της συσκευής, καθώς η συχνή εκκίνηση μπορεί να προκαλέσει ζημιά στον συμπιεστή
  - ▶ Μη χρησιμοποιείτε ηλεκτρικές συσκευές στο εσωτερικό των θαλάμων αποθήκευσης τροφίμων της συσκευής, εκτός αν είναι του τύπου που συνιστά ο κατασκευαστής

**ΠΡΟΕΙΔΟΠΟΪΗΣΗ!****Συντήρηση / καθαρισμός**

- ▶ Βεβαιωθείτε ότι τα παιδιά επιβλέπονται εάν πραγματοποιούν καθαρισμό και συντήρηση.
- ▶ Αποσυνδέστε τη συσκευή από την ηλεκτρική τροφοδοσία πριν πραγματοποιήσετε οποιαδήποτε συντήρηση ρουτίνας. Αφήστε τουλάχιστον 5 λεπτά πριν από την επανεκκίνηση της συσκευής, καθώς η συχνή εκκίνηση μπορεί να προκαλέσει ζημιά στον συμπιεστή.
- ▶ Κρατήστε το φιν, όχι το καλώδιο, όταν αποσυνδέετε τη συσκευή.
- ▶ Μην καθαρίζετε τη συσκευή με σκληρές βούρτσες, συρμάτινες βούρτσες, σκόνη απορρυπαντικού, βενζίνη, οξικό αμύλιο, ακετόνη και παρόμοια οργανικά διαλύματα, όξινα ή αλκαλικά διαλύματα. Καθαρίστε με ειδικό απορρυπαντικό ψυγείου/καταψύκτη για να αποφύγετε ζημιές. Ειδικά χρησιμοποιήστε ζεστό νερό και διάλυμα μαγειρικής σόδας - περίπου μια κουταλιά της σούπας μαγειρική σόδα σε ένα λίτρο / λίτρο νερού. Ξεπλύνετε πολύ καλά με νερό και στεγνώστε. Μην χρησιμοποιείτε σκόνες καθαρισμού ή άλλα λειαντικά καθαριστικά. Μην πλένετε αφαιρούμενα εξαρτήματα σε πλυντήριο πιάτων.
- ▶ Μην ξύνετε τον παγετό και τον πάγο με αιχμηρά αντικείμενα. Μην χρησιμοποιείτε σπρέι, ηλεκτρικούς θερμαντήρες όπως θερμαντήρα, στεγνωτήρα μαλλιών, ατμοκαθαριστές ή άλλες πηγές θερμότητας για να αποφύγετε ζημιές στα πλαστικά μέρη.
- ▶ Μην χρησιμοποιείτε μηχανικές συσκευές ή άλλα μέσα για να επιταχύνετε τη διαδικασία απόψυξης, παρά μόνο όσα συνιστώνται από τον κατασκευαστή.
- ▶ Αν το καλώδιο παροχής ρεύματος έχει φθαρεί πρέπει να αντικατασταθεί από τον κατασκευαστή ή τον αντιπρόσωπο του σέρβις ή παρόμοια εξουσιοδοτημένα πρόσωπα, προς αποφυγή του κινδύνου.
- ▶ Μην προσπαθήσετε να επισκευάσετε, να αποσυναρμολογήσετε ή να τροποποιήσετε τη συσκευή μόνοι σας. Σε περίπτωση επισκευής επικοινωνήστε με την εξυπηρέτηση πελατών μας.
- ▶ Εάν οι λυχνίες φωτισμού έχουν υποστεί ζημιά πρέπει να αντικατασταθούν από τον κατασκευαστή ή τον αντιπρόσωπο του σέρβις ή παρόμοια εξουσιοδοτημένα πρόσωπα, προς αποφυγή του κινδύνου.
- ▶ Απομακρύνετε τη σκόνη στο πίσω μέρος της μονάδας τουλάχιστον μία φορά το χρόνο για να αποφύγετε τον κίνδυνο από πυρκαγιά, καθώς και την αυξημένη κατανάλωση ενέργειας.
- ▶ Μην ψεκάζετε ή ξεπλένετε τη συσκευή κατά τον καθαρισμό.
- ▶ Μην χρησιμοποιείτε σπρέι νερού ή ατμό για να καθαρίσετε τη συσκευή.
- ▶ Μην καθαρίζετε τα κρύα γυάλινα ράφια ή τη γυάλινη πόρτα με ζεστό νερό. Η ξαφνική αλλαγή της θερμοκρασίας μπορεί να προκαλέσει το σπάσιμο του γυαλιού.
- ▶ Εάν αφήσετε τη συσκευή σας εκτός λειτουργίας για μεγάλο χρονικό διάστημα, αφήστε την ανοιχτή για να αποφύγετε την οσμή και τις δυσάρεστες μυρωδιές που συσσωρεύονται μέσα.

## Πληροφορίες για τα ψυκτικά αέρια



### ΠΡΟΕΙΔΟΠΟΪΣΗ!

Η συσκευή περιέχει το εύφλεκτο ψυκτικό μέσο ΙΣΟΒΟΥΤΑΝΙΟ (R600a). Βεβαιωθείτε ότι το κύκλωμα ψυκτικού δεν έχει υποστεί ζημιά κατά τη μεταφορά ή την εγκατάσταση. Η διαρροή ψυκτικού μπορεί να προκαλέσει τραυματισμούς στα μάτια ή ανάφλεξη. Εάν έχει προκληθεί ζημιά, κρατήστε το μακριά από ακάλυπτες πηγές φωτιάς, αερίστε καλά το δωμάτιο, μην συνδέσετε ή αποσυνδέσετε τα καλώδια τροφοδοσίας της συσκευής ή οποιασδήποτε άλλης συσκευής. Ενημερώστε την εξυπηρέτηση πελατών.

Σε περίπτωση που τα μάτια έρθουν σε επαφή με το ψυκτικό μέσο, ξεπλύνετε τα αμέσως κάτω από τρεχούμενο νερό και καλέστε αμέσως τον οφθαλμίατρο.

Το σύστημα ψύξης είναι υπό υψηλή πίεση. Μην το σκαλίζετε και μην το πειράζετε. Δεδομένου ότι χρησιμοποιούνται εύφλεκτα ψυκτικά μέσα, παρακαλούμε, εγκαταστήστε, χειριστείτε και συντηρήστε τη συσκευή επακριβώς αυστηρά και σύμφωνα με τις οδηγίες και ελάτε σε επαφή με τον επαγγελματικό πράκτορα ή την υπηρεσία μεταπωλήσεων μας για την απόρριψη της συσκευής.

Για ψυγεία με λειτουργία παγωμένου νερού, δώστε προσοχή στην ακόλουθη προειδοποίηση:

- Για συσκευές που δεν πρόκειται να συνδεθούν στην παροχή νερού: γεμίστε μόνο με πόσιμο νερό.
- Για συσκευές που πρόκειται να συνδεθούν στην παροχή νερού: συνδέστε μόνο σε παροχή πόσιμου νερού.
- Αν θέλετε να καθαρίσετε το σύστημα νερού, ανατρέξτε στο Εγχειρίδιο Χρήσης. Εάν έχετε οποιεσδήποτε ερωτήσεις, επικοινωνήστε με το τμήμα εξυπηρέτησης μετά την πώληση.



## Προβλεπόμενη χρήση

Αυτή η συσκευή προορίζεται για ψύξη και κατάψυξη τροφίμων. Έχει σχεδιαστεί αποκλειστικά για χρήση σε οικιακές και παρόμοιες εφαρμογές, όπως χώρους κουζίνας προσωπικού σε καταστήματα, γραφεία και άλλα εργασιακά περιβάλλοντα· αγροτικές και από πελάτες σε ξενοδοχεία, μοτέλ και άλλα περιβάλλοντα οικιστικού τύπου, καθώς και σε ξενοδοχειακές επιχειρήσεις bed-and-breakfast και catering. Δεν προορίζεται για εμπορική ή βιομηχανική χρήση. Δεν επιτρέπονται αλλαγές ή τροποποιήσεις στη συσκευή. Η μη προβλεπόμενη χρήση μπορεί να προκαλέσει κινδύνους και απώλεια αξιώσεων εγγύησης.

## Πρότυπα και οδηγίες **CE** και **UKCA**

Αυτό το προϊόν πληροί τις απαιτήσεις όλων των εφαρμοστέων κοινοτικών οδηγιών με τα αντίστοιχα εναρμονισμένα πρότυπα και τα πρότυπα του Ηνωμένου Βασιλείου, τα οποία προβλέπουν τις σημάνσεις CE και UKCA.

## Εξαρτήματα

Ελέγξτε τα εξαρτήματα και τη βιβλιογραφία σύμφωνα με αυτόν τον κατάλογο:

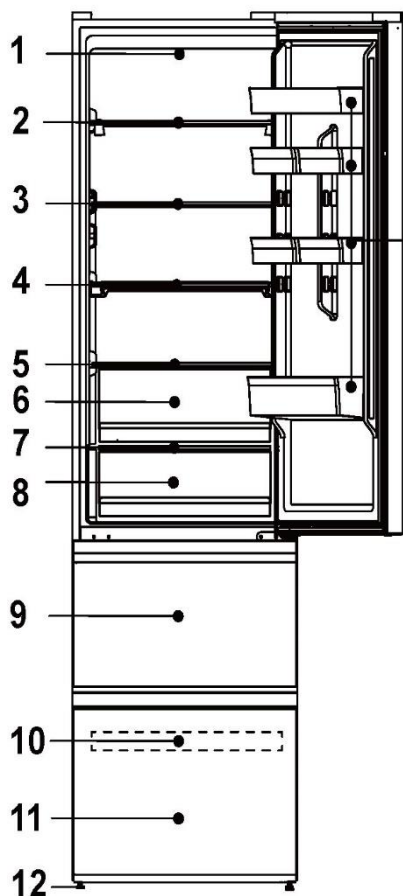


## **i** ΕΙΔΟΠΟΪΗΣΗ

Λόγω τεχνικών αλλαγών και διαφορετικών μοντέλων, ορισμένες από τις εικόνες σε αυτό το εγχειρίδιο ενδέχεται να διαφέρουν από το μοντέλο σας.

## **i** ΕΙΔΟΠΟΪΗΣΗ

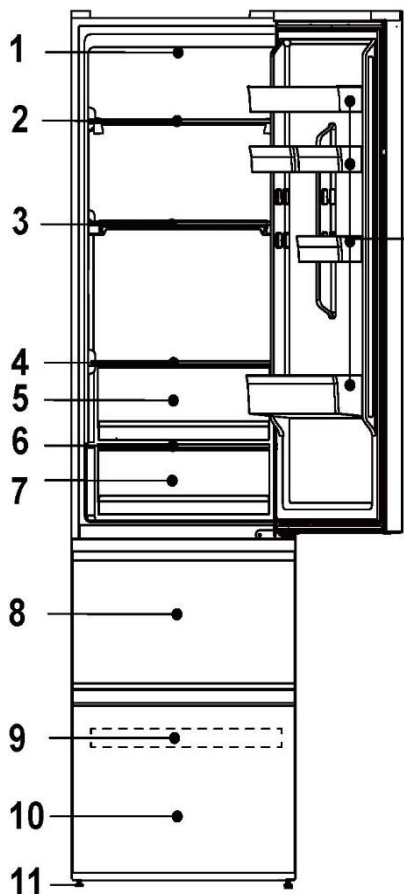
Λόγω τεχνικών αλλαγών και διαφορετικών μοντέλων, ορισμένες από τις απεικονίσεις σε αυτό το εγχειρίδιο ενδέχεται να διαφέρουν από το μοντέλο σας.(HTW5620\*N\*)



- 1-Λάμπα LED ψυγείου
- 2-Ράφι κρασιού
- 3-Γυάλινο ράφι
- 4-Πτυσσόμενο ράφι
- 5-Κάλυμμα δοχείου Humidity Zone
- 6-Δοχείο Humidity Zone
- 7-Κάλυμμα δοχείου My Zone
- 8-Δοχείο My Zone
- 9-Συρτάρι αποθήκευσης άνω καταψύκτη
- 10-Θήκη καταψύκτη
- 11-Συρτάρι αποθήκευσης κάτω καταψύκτη
- 12-Ρυθμιζόμενα πόδια
- 13-Ράφια πόρτας ψυγείου

## **i** ΕΙΔΟΠΟΪΗΣΗ

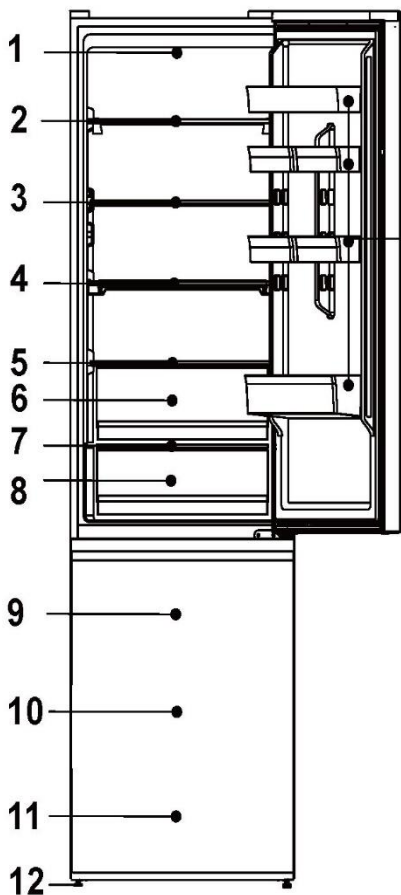
Λόγω τεχνικών αλλαγών και διαφορετικών μοντέλων, ορισμένες από τις απεικονίσεις σε αυτό το εγχειρίδιο ενδέχεται να διαφέρουν από το μοντέλο σας.(HTW5618\*N\*)



- 1-Λάμπα LED ψυγείου
- 2-Ράφι κρασιού
- 3-Πτυσσόμενο ράφι
- 4-Κάλυμμα δοχείου Humidity Zone
- 5-Δοχείο Humidity Zone
- 6-Κάλυμμα δοχείου My Zone
- 7-Δοχείο My Zone
- 8-Συρτάρι αποθήκευσης άνω καταψύκτη
- 9-Θήκη καταψύκτη
- 10-Συρτάρι αποθήκευσης κάτω καταψύκτη
- 11-Ρυθμιζόμενα πόδια
- 12-Ράφια πόρτας ψυγείου

## **i** ΕΙΔΟΠΟΪΗΣΗ

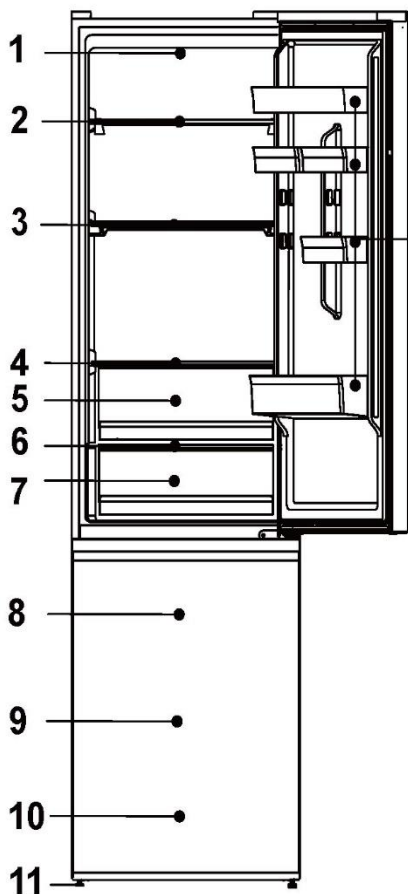
Λόγω τεχνικών αλλαγών και διαφορετικών μοντέλων, ορισμένες από τις απεικονίσεις σε αυτό το εγχειρίδιο ενδέχεται να διαφέρουν από το μοντέλο σας. (HDPW5620\*N\*)



- 1-Λάμπα LED ψυγείου
- 2-Ράφι κρασιού
- 3-Γυάλινο ράφι
- 4-Πτυσσόμενο ράφι
- 5-Κάλυμμα δοχείου Humidity Zone
- 6-Δοχείο Humidity Zone
- 7-Κάλυμμα δοχείου My Zone
- 8-Δοχείο My Zone
- 9-Συρτάρι αποθήκευσης άνω καταψύκτη
- 10-Συρτάρι αποθήκευσης μεσαίου καταψύκτη
- 11-Συρτάρι αποθήκευσης κάτω καταψύκτη
- 12-Ρυθμιζόμενα πόδια
- 13-Ράφια πόρτας ψυγείου

## **i** ΕΙΔΟΠΟΪΗΣΗ

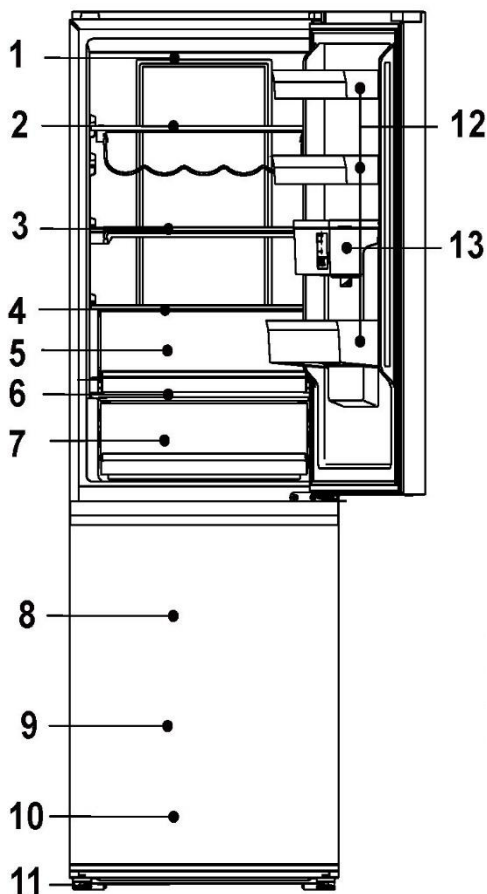
Λόγω τεχνικών αλλαγών και διαφορετικών μοντέλων, ορισμένες από τις απεικονίσεις σε αυτό το εγχειρίδιο ενδέχεται να διαφέρουν από το μοντέλο σας.(HDPW5618\*N\*)



- 1- Λάμπα LED ψυγείου
- 2- Ράφι κρασιού
- 3- Πτυσσόμενο ράφι
- 4- Κάλυμμα δοχείου Humidity Zone
- 5- Δοχείο Humidity Zone
- 6- Κάλυμμα δοχείου My Zone
- 7- Δοχείο My Zone
- 8- Συρτάρι αποθήκευσης άνω καταψύκτη
- 9- Συρτάρι αποθήκευσης μεσαίου καταψύκτη
- 10- Συρτάρι αποθήκευσης κάτω καταψύκτη
- 11- Ρυθμιζόμενα πόδια
- 12- Ράφια πόρτας ψυγείου

## **i** ΕΙΔΟΠΟΪΗΣΗ

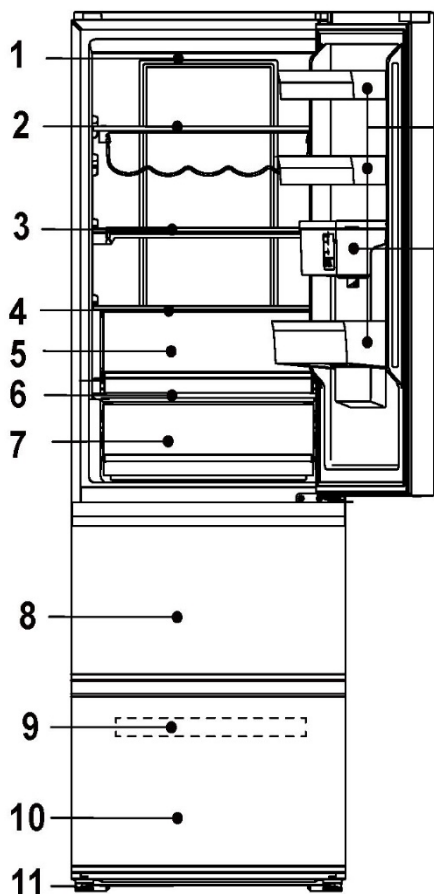
Λόγω τεχνικών αλλαγών και διαφορετικών μοντέλων, ορισμένες από τις απεικονίσεις σε αυτό το εγχειρίδιο ενδέχεται να διαφέρουν από το μοντέλο σας.(HDPW5618DW\*)



- 1-Λάμπα LED ψυγείου
- 2-Ράφι κρασιού
- 3-Πτυσσόμενο ράφι
- 4-Κάλυμμα δοχείου Humidity Zone
- 5-Δοχείο Humidity Zone
- 6-Κάλυμμα δοχείου My Zone
- 7-Δοχείο My Zone
- 8-Συρτάρι αποθήκευσης άνω καταψύκτη
- 9-Συρτάρι αποθήκευσης μεσαίου καταψύκτη
- 10-Συρτάρι αποθήκευσης κάτω καταψύκτη
- 11-Ρυθμιζόμενα πόδια
- 12-Ράφια πόρτας ψυγείου
- 13-Δοχείο νερού

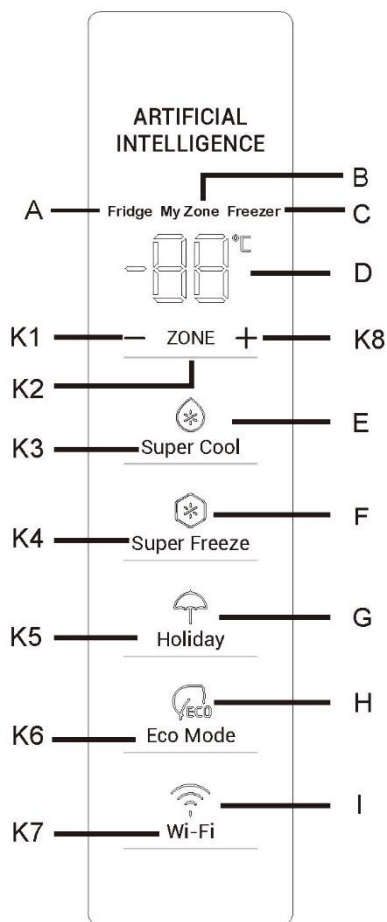
## **i** ΕΙΔΟΠΟΪΗΣΗ

Λόγω τεχνικών αλλαγών και διαφορετικών μοντέλων, ορισμένες από τις απεικονίσεις σε αυτό το εγχειρίδιο ενδέχεται να διαφέρουν από το μοντέλο σας.(HTW5618DW\*)



- 1-Λάμπα LED ψυγείου
- 2-Ράφι κρασιού
- 3-Πτυσσόμενο ράφι
- 4-Κάλυμμα δοχείου Humidity Zone
- 5-Δοχείο Humidity Zone
- 6-Κάλυμμα δοχείου My Zone
- 7-Δοχείο My Zone
- 8-Συρτάρι αποθήκευσης άνω καταψύκτη
- 9-Θήκη καταψύκτη
- 10-Συρτάρι αποθήκευσης κάτω καταψύκτη
- 11-Ρυθμιζόμενα πόδια
- 12-Ράφια πόρτας ψυγείου
- 13-Δοχείο νερού

## Πίνακας ελέγχου



Κουμπιά:

- A Θάλαμος ψυγείου
- B Θάλαμος My Zone
- C Θάλαμος καταψύκτη
- D Προβολή θερμοκρασίας
- E Λειτουργία Super Cool
- F Λειτουργία Super Freeze
- G Λειτουργία Holiday
- H Λειτουργία Eco Mode
- I Λειτουργία Wi-Fi

Ενδείξεις:

- K1 Μείωση θερμοκρασίας
- K2 Επιλογή ψυγείου, My Zone και καταψύκτη
- K3 Ενεργοποίηση/απενεργοποίηση λειτουργίας Super Cool
- K4 Ενεργοποίηση/απενεργοποίηση λειτουργίας Super Freeze
- K5 Ενεργοποίηση/απενεργοποίηση λειτουργίας Holiday
- K6 Ενεργοποίηση/απενεργοποίηση λειτουργίας Eco Mode
- K7 Ενεργοποίηση/απενεργοποίηση λειτουργίας Wi-Fi
- K8 Αύξηση θερμοκρασίας

### Πριν από την πρώτη χρήση

Αφαιρέστε όλα τα υλικά συσκευασίας, κρατήστε τα μακριά από τα παιδιά και απορρίψτε τα με φιλικό προς το περιβάλλον τρόπο.

Καθαρίστε τη συσκευή μέσα και έξω, καθώς και το εσωτερικό και τα παρελκόμενα, με νερό και ήπιο απορρυπαντικό και στεγνώστε τη καλά με μαλακό πανί.

Αφού η συσκευή τοποθετηθεί απολύτως οριζοντιωμένη και καθαριστεί, περιμένετε τουλάχιστον 2 ώρες πριν τη συνδέσετε στην παροχή ηλεκτρικής ισχύος. Ανατρέξτε στην ενότητα ΕΓΚΑΤΑΣΤΑΣΗ.

Προψύξτε τους θαλάμους σε υψηλές ρυθμίσεις πριν τοποθετήσετε τρόφιμα. Η λειτουργία Super Freeze βοηθά στη γρήγορη ψύξη του θαλάμου καταψύκτη



## Πλήκτρα αισθητήρων

Τα κουμπιά στον πίνακα ελέγχου είναι πλήκτρα αισθητήρων, τα οποία ανταποκρίνονται ήδη όταν αγγίζονται ελαφρά με το δάχτυλο.

## Άναμμα/σβήσιμο της συσκευής

Η συσκευή λειτουργεί μόλις συνδεθεί με την παροχή ρεύματος.

Όταν η συσκευή τροφοδοτείται για πρώτη φορά, οι ενδείξεις θερμοκρασίας "D" εμφανίζουν τις προκαθορισμένες τιμές (ανατρέξτε στην παρακάτω Ειδοποίηση).



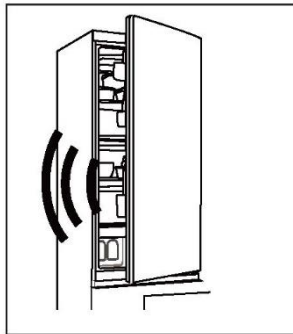
## ΕΙΔΟΠΟΪΗΣΗ

Η συσκευή είναι προρυθμισμένη στη συνιστώμενη θερμοκρασία 5°C (ψυγείο) και -18°C (καταψύκτης). Η θερμοκρασία My Zone είναι προρυθμισμένη σε περίπου 2°C. Αυτές είναι οι προτεινόμενες ρυθμίσεις. Εάν θέλετε, μπορείτε να αλλάξετε αυτές τις θερμοκρασίες χειροκίνητα.

## Συναγερμός ανοίγματος πόρτας

Όταν η πόρτα του ψυγείου είναι ανοιχτή για περισσότερο από 3 λεπτά, θα ηχήσει ο συναγερμός ανοίγματος της πόρτας.

Ο συναγερμός μπορεί να αποσιωπηθεί κλείνοντας την πόρτα. Εάν η πόρτα είναι ανοιχτή για περισσότερο από 7 λεπτά, το φως μέσα στο ψυγείο και ο φωτισμός του πίνακα ελέγχου θα σβήσουν αυτόματα.



### Ρύθμιση θερμοκρασίας

Οι εσωτερικές θερμοκρασίες επηρεάζονται από τους ακόλουθους παράγοντες:

Θερμοκρασία περιβάλλοντος

Συχνότητα ανοίγματος πόρτας

Ποσότητα αποθηκευμένων τροφίμων

Εγκατάσταση της συσκευής

## Ρύθμιση θερμοκρασίας του ψυγείου

1. Πατήστε το πλήκτρο "K2" (επιλογή Ψυγείου/ (My Zone)/ Καταψύκτη) για να επιλέξετε τον θάλαμο ψυγείου. Το εικονίδιο "A" (θάλαμος ψυγείου) και "D" (Οθόνη θερμοκρασίας) είναι φωτεινά.
2. Πατήστε το πλήκτρο "K1/K8" για να ρυθμίσετε τη θερμοκρασία του ψυγείου. Η θερμοκρασία αυξάνεται διαδοχικά κατά 1°C, από ένα ελάχιστο 2°C έως ένα μέγιστο 8°C. Η βέλτιστη θερμοκρασία στο ψυγείο είναι 5°C. Χαμηλότερες θερμοκρασίες σημαίνουν περιττή κατανάλωση ενέργειας.
3. Μετά από περίπου 5 δευτερόλεπτα, το εικονίδιο θερμοκρασίας "D" (Προβολή θερμοκρασίας) θα είναι μόνιμα φωτεινό και η ρύθμιση επιβεβαιώνεται.

## ΕΙΔΟΠΟΪΗΣΗ

Από την εφαρμογή μπορείτε να προσαρμόσετε τη θερμοκρασία τόσο για το ψυγείο όσο και για τον καταψύκτη. Η θερμοκρασία μπορεί να ρυθμιστεί με ευαισθησία 1°C.

## Ρύθμιση θερμοκρασίας του καταψύκτη

1. Πατήστε το πλήκτρο αφής "K2" (επιλογή ψυγείου/ (My Zone)/ καταψύκτη) για να επιλέξετε °C στον θάλαμο κατάψυξης. Το εικονίδιο "C" (Θάλαμος καταψύκτη) και "D" (Προβολή θερμοκρασίας) είναι φωτεινά.
2. Πατήστε το πλήκτρο αφής "K1/K8" για να ρυθμίσετε τη θερμοκρασία του καταψύκτη. Η θερμοκρασία αυξάνεται διαδοχικά κατά 1°C, από ένα ελάχιστο -24°C έως ένα μέγιστο -16°C. Η βέλτιστη θερμοκρασία στον καταψύκτη είναι -18. Χαμηλότερες θερμοκρασίες σημαίνουν περιττή κατανάλωση ενέργειας.
3. Μετά από περίπου 5 δευτερόλεπτα, η ένδειξη θερμοκρασίας "D" (Προβολή θερμοκρασίας) θα είναι μόνιμα φωτεινή και η ρύθμιση επιβεβαιώνεται.

## ΕΙΔΟΠΟΪΗΣΗ

Μετά τη ρύθμιση της θερμοκρασίας, εάν πατηθούν άλλα πλήκτρα εντός 5 δευτερολέπτων, η τρέχουσα ρύθμιση θερμοκρασίας θα επιβεβαιωθεί αμέσως. Εάν δεν εκτελεστεί καμία λειτουργία πλήκτρων εντός 5 δευτερολέπτων, εμφανίζεται η τρέχουσα ρυθμισμένη θερμοκρασία μέχρι να σβήσει η οθόνη.

## Ρύθμιση θερμοκρασίας My Zone

Ο θάλαμος ψυγείου είναι εξοπλισμένος με δοχείο My Zone. Ανάλογα με τις απαιτήσεις αποθήκευσης τροφίμων, μπορεί να επιλεγεί η καταλληλότερη θερμοκρασία για να επιτευχθεί η βέλτιστη θρεπτική αξία των τροφίμων.

1. Πατήστε το πλήκτρο "K2" (επιλογή ψυγείου/ (My Zone)/ καταψύκτη) για να επιλέξετε τον θάλαμο My Zone. Το εικονίδιο "B" (θάλαμος My Zone) και "D" (Οθόνη θερμοκρασίας) είναι φωτεινά. Μπορεί επίσης να επιλεγεί από την εφαρμογή.
2. Πατήστε το πλήκτρο αφής "K1/K8" για να ρυθμίσετε τη θερμοκρασία My Zone. Η θερμοκρασία μπορεί επίσης να ρυθμιστεί στην εφαρμογή.

Η θερμοκρασία αυξάνεται διαδοχικά κατά 1°C, από ένα ελάχιστο 0°C έως ένα μέγιστο 5°C.

3. Μετά από περίπου 5 δευτερόλεπτα, το εικονίδιο θερμοκρασίας "D" (Προβολή θερμοκρασίας) θα είναι μόνιμα φωτεινό και η ρύθμιση επιβεβαιώνεται.



## ΕΙΔΟΠΟΪΗΣΗ

1. Μπορείτε να ρυθμίσετε τη θερμοκρασία του θαλάμου My Zone στο μεσαίο επίπεδο (2°C), προκειμένου να διατηρήσετε το φαγητό σας στο βέλτιστο περιβάλλον αποθήκευσης.
2. Λόγω της διαφορετικής περιεκτικότητας σε νερό του κρέατος, κάποια κρέατα με περισσότερη υγρασία θα καταψύχονται σε θερμοκρασίες χαμηλότερες από 0°C. Έτσι, το «φρεσκοκομμένο» κρέας θα πρέπει να αποθηκεύεται στο δοχείο My Zone, με ελάχιστη θερμοκρασία 0°C.
3. Φρούτα ευαίσθητα στο κρύο όπως ανανάς, αβοκάντο, μπανάνες, γκρέιπφρουτ και λαχανικά όπως πατάτες, μελιτζάνες, φασόλια, αγγούρια, κολοκυθάκια και ντομάτες και τυρί δεν θα πρέπει να αποθηκεύονται στο δοχείο My Zone.
4. Εάν η θερμοκρασία του ψυγείου είναι χαμηλότερη από τη θερμοκρασία My Zone, είναι κανονικό. Η θερμοκρασία My Zone είναι χαμηλότερη από τη θερμοκρασία ρύθμισης My Zone.

## Λειτουργία Super-Cool

1. Προτείνεται να ενεργοποιήσετε τη λειτουργία Super Cool εάν πρέπει να αποθηκευτεί μεγαλύτερη ποσότητα τροφίμων (για παράδειγμα μετά τα ψώνια). Η λειτουργία Super Cool επιταχύνει την ψύξη των φρέσκων τροφίμων και προστατεύει τα τρόφιμα που έχουν ήδη αποθηκευτεί από ανεπιθύμητη θέρμανση.
2. Πατήστε το πλήκτρο "K3" ή ενεργοποιήστε το από την εφαρμογή, το εικονίδιο "E" (λειτουργία Super Cool) είναι φωτεινό και η λειτουργία είναι ενεργοποιημένη.

## ΕΙΔΟΠΟΪΗΣΗ

1. Η συσκευή κλείνει τη "λειτουργία Super Cool" 6 ώρες μετά την καταχώρηση της "λειτουργία Super Cool", ή πατώντας το πλήκτρο "K3" όταν το εικονίδιο "E" (λειτουργία Super Cool) είναι φωτεινό, ή με την απενεργοποίησή του από την εφαρμογή.
2. Στην κατάσταση Super Cool, εάν έχει ρυθμιστεί η θερμοκρασία του θαλάμου ψυγείου, το εικονίδιο "E" (λειτουργία Super Cool) αναβοσβήνει για να υποδείξει ότι αυτή η λειτουργία δεν μπορεί να πραγματοποιηθεί.

### Λειτουργία Super-Frz

1. Τα νωπά τρόφιμα θα πρέπει να καταψύχονται όσο το δυνατόν γρηγορότερα στο κέντρο τους. Έτσι μπορεί να διαφυλάσσεται η καλύτερη διατροφική αξία, η εμφάνιση και η γεύση. Η λειτουργία Super Freeze επιταχύνει την κατάψυξη των νωπών τροφίμων και προστατεύει τα τρόφιμα που έχουν ήδη αποθηκευτεί από ανεπιθύμητη θέρμανση. Εάν πρέπει να καταψύξετε μια μεγάλη ποσότητα τροφίμων άμεσα, συνιστάται να ρυθμίσετε τη λειτουργία Super Freeze 24 ώρες νωρίτερα από τη χρήση του χώρου κατάψυξης.
2. Πατήστε το πλήκτρο "K4" (ρύθμιση λειτουργίας Super Freeze) ή ενεργοποιήστε το από την εφαρμογή, το εικονίδιο "F" (λειτουργία Super Freeze) είναι φωτεινό και η λειτουργία είναι ενεργοποιημένη.

## ΕΙΔΟΠΟΪΗΣΗ

1. Η συσκευή κλείνει τη "λειτουργία Super Freeze" 50 ώρες μετά την καταχώρηση της "λειτουργία Super Freeze", ή πατώντας το κουμπί "K4" όταν το εικονίδιο "F" (λειτουργία Super Freeze) είναι φωτεινό, ή με την απενεργοποίησή του από την εφαρμογή.
2. Στην κατάσταση Super Freeze, εάν έχει ρυθμιστεί η θερμοκρασία του θαλάμου κατάψυξης, το εικονίδιο "F" (λειτουργία Super Freeze) αναβοσβήνει για να υποδείξει ότι αυτή η λειτουργία δεν μπορεί να πραγματοποιηθεί.

### Λειτουργία Holiday

Η λειτουργία Holiday μπορεί να χρησιμοποιηθεί για τη μείωση της κατανάλωσης ενέργειας της συσκευής, όταν δεν χρησιμοποιείται τακτικά. Όταν η λειτουργία είναι ενεργοποιημένη, το ψυγείο είναι σβηστό, ενώ ο καταψύκτης θα συνεχίσει να λειτουργεί κανονικά. Η λειτουργία ρυθμίζει τη θερμοκρασία του ψυγείου μόνιμα στους 17°C.

Αυτό επιτρέπει να διατηρείται η πόρτα του άδειου ψυγείου κλειστή χωρίς να προκαλείται δυσσομία ή μούχλα-κατά τη διάρκεια παρατεταμένης απουσίας (π.χ. κατά τη διάρκεια των διακοπών). Ο θάλαμος κατάψυξης ρυθμίζεται όπως επιθυμείτε.

1. Πατήστε το πλήκτρο "K5" (ενεργοποίηση/απενεργοποίηση λειτουργίας Holiday) ή επιλέξτε τη λειτουργία από την εφαρμογή, το εικονίδιο "G" (λειτουργία Holiday) είναι φωτεινό και η λειτουργία είναι ενεργοποιημένη.

2. Η λειτουργία μπορεί να απενεργοποιηθεί πατώντας ξανά το πλήκτρο "K5" (ενεργοποίηση/απενεργοποίηση λειτουργίας Holiday) ή ρυθμίζοντας τη θερμοκρασία του ψυγείου, ή πραγματοποιώντας οποιαδήποτε άλλη ρύθμιση, ή απενεργοποιώντας το από την εφαρμογή.

## ΕΙΔΟΠΟΪΗΣΗ

1. Κατά τη διάρκεια της λειτουργίας Holiday, δεν πρέπει να αποθηκεύονται τρόφιμα στον θάλαμο ψυγείου. Η θερμοκρασία + 17°C είναι πολύ υψηλή για την αποθήκευση τροφίμων.
2. Όταν η λειτουργία Holiday είναι ενεργοποιημένη, το εικονίδιο My Zone παραμένει απενεργοποιημένο και η λειτουργία ψυγείου είναι κλειδωμένη. Εάν έχει ρυθμιστεί η θερμοκρασία του θαλάμου ψυγείου, το εικονίδιο "G" (λειτουργία Holiday) αναβοσβήνει για να υποδείξει ότι αυτή η λειτουργία δεν μπορεί να πραγματοποιηθεί.

EL

## Λειτουργία Eco Mode

Η Eco Mode μπορεί να ενεργοποιηθεί για τη βελτιστοποίηση της απόδοσης της συσκευής, ενώ επιτυγχάνεται η καλύτερη αποθήκευση τροφίμων. Εάν δεν έχετε ειδικές απαιτήσεις, συνιστούμε να χρησιμοποιείτε τη λειτουργία Eco Mode.

Σε αυτή τη λειτουργία η θερμοκρασία του ψυγείου είναι 5°C, η θερμοκρασία κατάψυξης είναι -18°C.

1. Πατήστε το πλήκτρο "K6" (ενεργοποίηση/απενεργοποίηση λειτουργίας Eco Mode) ή επιλέξτε τη λειτουργία από την εφαρμογή.
2. Το εικονίδιο "H" (λειτουργία Eco Mode) είναι φωτεινό και η λειτουργία είναι ενεργοποιημένη.

Επαναλαμβάνοντας τα παραπάνω βήματα, ή επιλέγοντας άλλη λειτουργία, ή απενεργοποιώντας από την εφαρμογή, αυτή η λειτουργία μπορεί να απενεργοποιηθεί ξανά. Αποκαθίστανται τα επίπεδα ψύξης που είχαν οριστεί προηγουμένως.

## ΕΙΔΟΠΟΪΗΣΗ

Κατά τη διάρκεια της λειτουργίας Eco Mode, εάν έχει ρυθμιστεί η θερμοκρασία του θαλάμου ψυγείου/κατάψυξης, το εικονίδιο "H" (λειτουργία Eco Mode) αναβοσβήνει για να υποδείξει ότι αυτή η λειτουργία δεν μπορεί να πραγματοποιηθεί.

Βήμα 1 Κατεβάστε την εφαρμογή hOn από τα καταστήματα.

|                                                                                                                                                                                          |                                                                                                                                                   |
|------------------------------------------------------------------------------------------------------------------------------------------------------------------------------------------|---------------------------------------------------------------------------------------------------------------------------------------------------|
|                                                                                                         |                                                                                                                                                   |
| <p>Βήμα 2 Δημιουργήστε τον λογαριασμό σας στην εφαρμογή hOn ή συνδεθείτε εάν έχετε ήδη λογαριασμό.</p>  | <p>Βήμα 3 Ακολουθήστε τις οδηγίες ζεύξης της εφαρμογής hOn.</p>  |

### Λειτουργία Wi-Fi

1. Ακολουθήστε τις οδηγίες στην εφαρμογή για να ρυθμίσετε το Wi-Fi.
2. Μόλις ρυθμιστεί το Wi-Fi και δημιουργηθεί η σύνδεση, το εικονίδιο Wi-Fi "I" θα είναι φωτεινό και σταθερό.
3. Εάν το Wi-Fi έχει ήδη ρυθμιστεί, θα επανασυνδεθεί αυτόματα σύμφωνα με τα στοιχεία ρύθμισης παραμέτρων, αν ενεργοποιείται το Wi-Fi.

### **i** ΕΙΔΟΠΟΪΗΣΗ

1. Για να απενεργοποιήσετε το Wi-Fi, πατήστε το πλήκτρο Wi-Fi "K7" και το εικονίδιο Wi-Fi "I" απενεργοποιείται.
2. Για να ενεργοποιήσετε το Wi-Fi και να ξεκινήσετε τη ρύθμιση, πατήστε το πλήκτρο Wi-Fi "K7" και το εικονίδιο Wi-Fi "I" αρχίζει να αναβοσβήνει αργά. Εάν θέλετε να ρυθμίσετε τη λειτουργία Wi-Fi, πατήστε το πλήκτρο "K7" για 3 δευτερόλεπτα, το εικονίδιο Wi-Fi αναβοσβήνει γρήγορα και εισέρχεται στη λειτουργία ρύθμισης παραμέτρων. Εάν θέλετε να απενεργοποιήσετε τη λειτουργία Wi-Fi, πατήστε το πλήκτρο "K7" μία φορά. Τα παραπάνω βήματα επαναλαμβάνονται.
3. Εάν το προϊόν έχει ρυθμιστεί και η λειτουργία Wi-Fi ήταν απενεργοποιημένη, το ψυγείο δεν θα εισέλθει στη λειτουργία ρύθμισης παραμέτρων μόλις συνδεθεί ξανά στο ρεύμα

### **i** ΕΙΔΟΠΟΪΗΣΗ

1. Το προϊόν αυτό δεν προορίζεται για εμπορική χρήση.
2. Η μέγιστη ισχύς εξόδου RF: Wi-Fi 2,4 GHz: 16dBm.
3. Bluetooth LE: 5dBm. Bluetooth (BR/EDR): 10dBm.
4. Ζώνη συχνοτήτων λειτουργίας: 2400-2483,5 MHz.

## Αποθήκευση στον θάλαμο ψυγείου

Διατηρήστε τη θερμοκρασία του ψυγείου σας κάτω από 5° C.

Το ζεστό φαγητό πρέπει να ψύχεται σε θερμοκρασία δωματίου πριν από την αποθήκευση στη συσκευή.

Τα τρόφιμα που αποθηκεύονται στο ψυγείο πρέπει να πλένονται και να στεγνώνουν πριν από την αποθήκευση.

Τα τρόφιμα προς αποθήκευση θα πρέπει να σφραγίζονται σωστά για να αποφευχθούν δυσοσμίες ή αλλοιώσεις γεύσης.

Μην αποθηκεύετε υπερβολικές ποσότητες τροφίμων. Αφήστε κενά μεταξύ των τροφίμων για να επιτρέψετε στον κρύο αέρα να ρέει γύρω τους, για καλύτερη και πιο ομοιογενή ψύξη.

Τα τρόφιμα που τρώγονται καθημερινά πρέπει να αποθηκεύονται στο μπροστινό μέρος του ραφιού.

Αφήστε ένα κενό μεταξύ τροφίμων και εσωτερικών τοιχωμάτων, επιτρέποντας τη ροή του αέρα. Για κανέναν λόγο μην αποθηκεύετε τρόφιμα σε επαφή με το πίσω τοίχωμα: τα τρόφιμα θα μπορούσαν να παγώσουν σε επαφή με το πίσω τοίχωμα. Αποφύγετε την άμεση επαφή των τροφίμων (ιδιαίτερα των ελαιωδών ή όξινων τροφίμων) με την εσωτερική επένδυση, καθώς το λάδι/οξύ μπορεί να διαβρώσει την εσωτερική επένδυση. Καθαρίστε τη λιπαρή/όξινη βρωμιά όποτε βρεθεί.

Τα κατεψυγμένα τρόφιμα μπορούν να αποψυχθούν προσεκτικά στον θάλαμο ψυγείου. Κάτι που εξοικονομεί ενέργεια.

Η διαδικασία ωρίμανσης φρούτων και λαχανικών, όπως κολοκυθάκια, πεπόνια, παπάγια, μπανάνες, ανανάδες κ.λπ., μπορεί να επιταχυνθεί στο ψυγείο. Επομένως, δεν συνιστάται η αποθήκευσή τους στο ψυγείο. Ωστόσο, η ωρίμανση των έντονα πράσινων φρούτων μπορεί να προωθηθεί για ένα ορισμένο χρονικό διάστημα. Τα κρεμμύδια, το σκόρδο, το τζίντζερ και άλλα λαχανικά που διαθέτουν ρίζες θα πρέπει επίσης να αποθηκεύονται σε θερμοκρασία δωματίου.

Οι δυσάρεστες οσμές μέσα στο ψυγείο είναι ένα σημάδι ότι κάτι έχει χυθεί και απαιτείται καθαρισμός. Δείτε «Φροντίδα και καθαρισμός».

Διαφορετικά τρόφιμα πρέπει να τοποθετούνται σε διαφορετικές περιοχές ανάλογα με τις ιδιότητές τους.

## Αποθήκευση στον θάλαμο καταψύκτη

Διατηρήστε τη θερμοκρασία καταψύκτη στους -18° C.

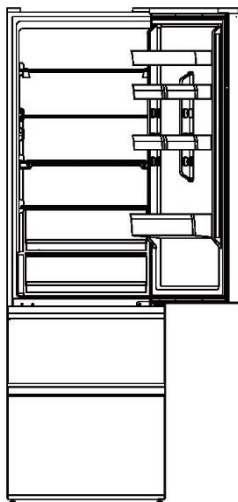
24 ώρες πριν την κατάψυξη, ενεργοποιήστε τη λειτουργία Super-Freeze. Για μικρές ποσότητες φαγητού, αρκούν 4-6 ώρες.

Το ζεστό φαγητό πρέπει να ψύχεται σε θερμοκρασία δωματίου πριν από την αποθήκευση στον θάλαμο καταψύκτη.

Τα τρόφιμα που κόβονται σε μικρές μερίδες θα παγώσουν γρηγορότερα και θα είναι πιο εύκολο να ξεπαγώσουν και να μαγειρευτούν. Το συνιστώμενο βάρος για κάθε μερίδα είναι μικρότερο από 2,5 κιλά

Είναι προτιμότερο να συσκευάζετε τα τρόφιμα πριν τα βάλετε στην κατάψυξη. Το εξωτερικό της συσκευασίας πρέπει να είναι στεγνό για να μην κολλήσουν οι σακούλες μεταξύ τους. Τα υλικά συσκευασίας πρέπει να είναι χωρίς οσμές, αεροστεγή, μη δηλητηριώδη και μη τοξικά.

Για να αποφύγετε τη λήξη των περιόδων αποθήκευσης, παρακαλείστε να σημειώσετε την ημερομηνία κατάψυξης, την προθεσμία και το όνομα του τροφικού στη συσκευασία ανάλογα με τις περιόδους αποθήκευσης διαφορετικών τροφίμων.



### ΠΡΟΕΙΔΟΠΟΪΣΗ!

- ▶ Οξύ, αλκάλια και αλάτι κ.λπ.θα μπορούσαν να διαβρώσουν την εσωτερική επιφάνεια του καταψύκτη.
- ▶ Μην τοποθετείτε τρόφιμα με αυτές τις ουσίες (π.χ. ψάρια θαλασσινού νερού) απευθείας στην εσωτερική επιφάνεια. Το αλμυρό νερό στην κατάψυξη πρέπει να καθαριστεί αμέσως.
- ▶ Μην υπερβαίνετε το χρόνο αποθήκευσης τροφίμων που προτείνουν οι κατασκευαστές. Βγάλτε μόνο την απαιτούμενη ποσότητα τροφής από την κατάψυξη.
- ▶ Καταναλώστε τα αποψυγμένα τρόφιμα γρήγορα. Τα αποψυγμένα τρόφιμα δεν μπορούν να καταψυχθούν εκ νέου εκτός εάν πρώτα μαγειρευτούν, διαφορετικά μπορεί να γίνουν λιγότερο βρώσιμα.
- ▶ Μην τοποθετείτε υπερβολικές ποσότητες νωπών τροφίμων στον θάλαμο κατάψυξης. Ανατρέξτε στην ικανότητα κατάψυξης του καταψύκτη - Δείτε στο ΤΕΧΝΙΚΑ ΔΕΔΟΜΕΝΑ ή δεδομένα στην πινακίδα τύπου.
- ▶ Τα τρόφιμα μπορούν να αποθηκευτούν στον καταψύκτη σε θερμοκρασία τουλάχιστον  $-18^{\circ}\text{C}$  για 2 έως 12 μήνες, ανάλογα με τις ιδιότητές του (π.χ. κρέας: 3-12 μήνες, λαχανικά: 6-12 μήνες)
- ▶ Κατά την κατάψυξη νωπών τροφίμων, αποφύγετε να τα φέρετε σε επαφή με ήδη κατεψυγμένα τρόφιμα. Κίνδυνος απόψυξης!



## Κατά την αποθήκευση εμπορικά κατεψυγμένων τροφίμων, ακολουθήστε αυτές τις οδηγίες:

Να ακολουθείτε πάντα τις οδηγίες των κατασκευαστών για το χρονικό διάστημα για το οποίο πρέπει να αποθηκεύετε τρόφιμα. Μην υπερβαίνουμε αυτές τις οδηγίες!

Προσπαθήστε να διατηρήσετε το χρονικό διάστημα μεταξύ αγοράς και αποθήκευσης όσο το δυνατόν συντομότερο για να διατηρήσετε την ποιότητα των τροφίμων.

Αγοράστε κατεψυγμένα τρόφιμα, τα οποία έχουν αποθηκευτεί σε θερμοκρασία -18°C ή χαμηλότερη.

Αποφύγετε να αγοράζετε τρόφιμα που έχουν πάγο ή δροσοπάγο πάνω στη συσκευασία - Αυτό υποδηλώνει ότι τα προϊόντα μπορεί να έχουν αποψυχθεί μερικώς και να έχουν καταψυχθεί ξανά κάποια στιγμή - οι αυξήσεις της θερμοκρασίας επηρεάζουν την ποιότητα των τροφίμων.

## Διανομέας νερού

Μέσω του διανομέα νερού μπορεί να χρησιμοποιηθεί κρύο πόσιμο νερό.

Η δεξαμενή νερού πρέπει να καθαρίζεται πριν από την πρώτη χρήση (δείτε ΦΡΟΝΤΙΔΑ ΚΑΙ ΚΑΘΑΡΙΣΜΟΣ).

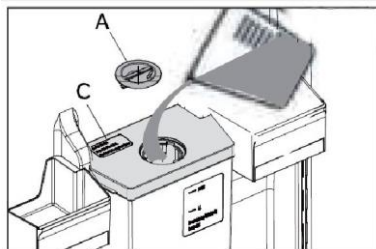
## Γέμισμα της δεξαμενής νερού



### ΠΡΟΕΙΔΟΠΟΪΗΣΗ!

► Χρησιμοποιείτε μόνο πόσιμο νερό.

1. Βεβαιωθείτε ότι η δεξαμενή νερού έχει τοποθετηθεί σωστά (δείτε ΕΞΟΠΛΙΣΜΟΣ)
2. Περιστρέψτε και ανασηκώστε το στρογγυλό καπάκι (A) και ρίξτε φρέσκο πόσιμο νερό στο δοχείο νερού (Εικ. 5.10.1).
3. Γεμίστε με νερό μόνο μέχρι το σχετικό σημάδι (2,5 λίτρα), καθώς μπορεί να ξεχειλίσει όταν η πόρτα ανοίγει και κλείνει.
4. Κλείστε καλά το στρογγυλό καπάκι (A) μέχρι να ασφαλίσει στη θέση του.



### ΕΙΔΟΠΟΪΗΣΗ

1. Η συσκευή κλείνει τη "λειτουργία Super Cool" 6 ώρες μετά την καταχώρηση της "λειτουργία Super Cool", ή πατώντας το πλήκτρο "K3" όταν το εικονίδιο "E" (λειτουργία Super Cool) είναι φωτεινό, ή με την απενεργοποίησή του από την εφαρμογή.
2. Στην κατάσταση Super Cool, εάν έχει ρυθμιστεί η θερμοκρασία του θαλάμου ψυγείου, το εικονίδιο "E" (λειτουργία Super Cool) αναβοσβήνει για να υποδείξει ότι αυτή η λειτουργία δεν μπορεί να πραγματοποιηθεί.

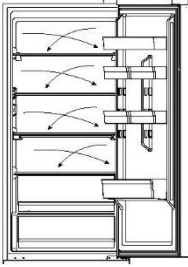


### Συμβουλές εξοικονόμησης ενέργειας

- ▶ Βεβαιωθείτε ότι η συσκευή αερίζεται σωστά (δείτε ΕΓΚΑΤΑΣΤΑΣΗ).
- ▶ Μην εγκαθιστάτε τη συσκευή σε σημείο με άμεσο ηλιακό φως ή κοντά σε πηγές θερμότητας (π.χ. σόμπες, θερμάστρες).
- ▶ Αποφύγετε την άσκοπη χαμηλή θερμοκρασία στη συσκευή. Η κατανάλωση ενέργειας αυξάνεται με τη μείωση της θερμοκρασίας ρύθμισης στη συσκευή.
- ▶ Λειτουργίες όπως το SUPER FREEZE καταναλώνουν περισσότερη ενέργεια.
- ▶ Αφήστε το ζεστό φαγητό να κρυώσει πριν το τοποθετήσετε μέσα στη συσκευή.
- ▶ Να ανοίγετε την πόρτα της συσκευής όσο το δυνατόν λιγότερο και για όσο πιο σύντομα γίνεται.
- ▶ Μην γεμίζετε και φορτώνετε υπερβολικά τη συσκευή για να αποφύγετε τη φραγή του αέρα χαμηλά.
- ▶ Αποφύγετε το να υπάρχει αέρας μέσα στη συσκευασία των τροφίμων.
- ▶ Διατηρείτε καθαρά τα στεγανοποιητικά της πόρτας ούτως ώστε η πόρτα να κλείνει πάντοτε σωστά.
- ▶ Αποψύξτε κατεψυγμένα τρόφιμα στον θάλαμο αποθήκευσης ψυγείου ή χρησιμοποιήστε τη λειτουργία D-Frost στο δοχείο My Zone.
- ▶ Οι περισσότερες ρυθμίσεις εξοικονόμησης ενέργειας απαιτούν το συρτάρι, το δοχείο τροφίμων και τα ράφια να τοποθετούνται στη συσκευή με την εργοστασιακή τους κατάσταση ψύξης και τα τρόφιμα πρέπει να τοποθετηθούν έτσι ώστε να μην εμποδίζεται η έξοδος αέρα του αγωγού.

## **i** Σημείωση

Λόγω διαφορετικών μοντέλων, το προϊόν σας ενδέχεται να μην έχει όλα τα ακόλουθα χαρακτηριστικά. Ανατρέξτε στο κεφάλαιο Περιγραφή προϊόντος.!

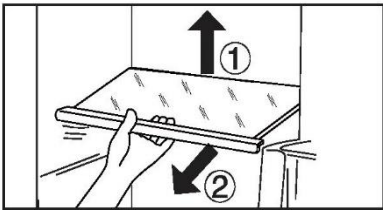


### Πολλαπλή ροή αέρα

Το ψυγείο είναι εξοπλισμένο με σύστημα πολλαπλών ροών αέρα, το οποίο παρέχει ροή κρύου αέρα σε κάθε επίπεδο στα ράφια. Αυτό βοηθά στη διατήρηση μιας ομοιόμορφης θερμοκρασίας για να διασφαλιστεί ότι τα τρόφιμά σας διατηρούνται πιο φρέσκα για μεγαλύτερο χρονικό διάστημα.

### Ρυθμιζόμενα ράφια

1. Το ύψος των ραφιών μπορεί να ρυθμιστεί ώστε να ταιριάζει στις ανάγκες αποθήκευσης.
2. Για να μετακινήσετε ένα ράφι, αφαιρέστε το πρώτα ανυψώνοντας την οπίσθια άκρη του ① και τραβώντας το έξω ②.
3. Για να το επανατοποθετήσετε, τοποθετήστε το στις υποδοχές και στις δύο πλευρές και σπρώξτε το στην πίσω θέση μέχρι το πίσω μέρος του ραφιού να στερεωθεί στις πλαϊνές σχισμές.



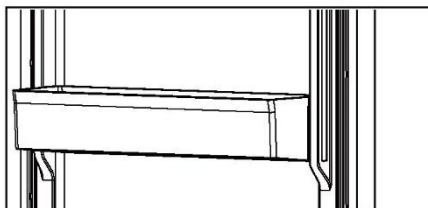
## **i** Ειδοποίηση

Βεβαιωθείτε ότι όλα τα άκρα ενός ραφιού είναι επίπεδα.

### Αφαιρούμενο ράφι πόρτας

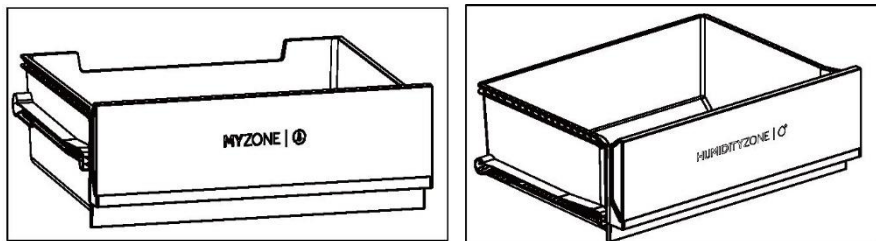
Το ράφι πόρτα μπορεί να αφαιρεθεί για καθαρισμό:

Βάλτε τα χέρια σας σε κάθε πλευρά του ραφιού, σηκώστε το προς τα πάνω (1) και τραβήξτε το προς τα έξω (2). Για την εισαγωγή του ραφιού της πόρτας, τα παραπάνω βήματα πραγματοποιούνται με αντίστροφη σειρά.



## Δοχείο My Zone

Για τη χρήση και τη ρύθμιση του θαλάμου My Zone, ελέγξτε την ενότητα ΧΡΗΣΗ (My Zone).



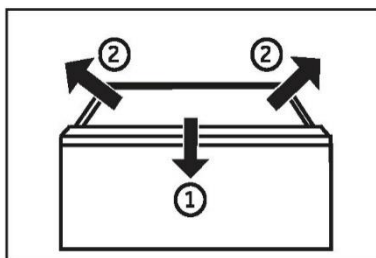
## Δοχείο Humidity Zone

Σε αυτόν τον θάλαμο το επίπεδο υγρασίας ελέγχεται αυτόματα από το σύστημα και είναι κατάλληλο για αποθήκευση φρούτων, λαχανικών, σαλατών κ.λπ.

## Αφαιρούμενο συρτάρι

Για να βγάλετε το συρτάρι έξω από τον θάλαμο του ψυγείου ή της κατάψυξης, τραβήξτε προς τα έξω στη μέγιστη δυνατή έκταση (1), ανασηκώστε και αφαιρέστε (2).

Για την εισαγωγή του συρταριού, τα παραπάνω βήματα γίνονται με αντίστροφη σειρά.



## Συρτάρι καταψύκτη

Το συρτάρι του καταψύκτη μπορεί να επεκταθεί ευθεία και πλήρως. Τοποθετούνται σε τηλεσκοπική ράγα easy roll. Για να μπορείτε να αποθηκεύετε και να αφαιρείτε άνετα το κατεψυγμένο προϊόν, λόγω του μηχανισμού αυτόματου κλεισίματος της πόρτας, ο χειρισμός είναι εύκολος και μπορείτε να εξοικονομήτε ενέργεια.



## ΠΡΟΕΙΔΟΠΟΪΣΗ!

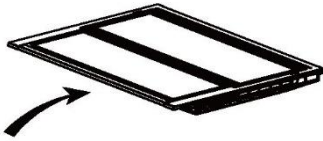
Μην υπερφορτώνετε τα συρτάρια: Μέγιστο φορτίο κάθε συρταριού: 35kg!

### Το φως

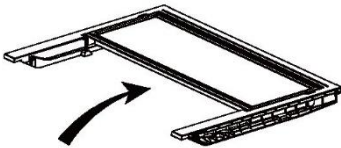
Το εσωτερικό φως LED ανάβει όταν ανοίγει η πόρτα. Η απόδοση των φώτων δεν επηρεάζεται από καμία άλλη ρύθμιση της συσκευής.

### Πτυσσόμενα ράφια

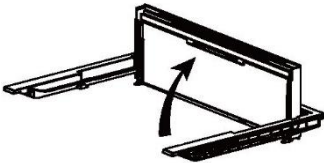
Τα πτυσσόμενα ράφια θα επιτρέψουν στον χρήστη να τοποθετήσει ψηλά μπουκάλια ή αντικείμενα στα ράφια. Τα ράφια μπορούν να αναδιπλωθούν στο πίσω μέρος και ο διαθέσιμος χώρος στο κάτω ράφι θα είναι μεγαλύτερος. Το ράφι μπορεί να αναδιπλωθεί ακολουθώντας τα Βήματα 1~3. Εάν θέλετε να επιστρέψετε στην αρχική θέση, αντιστρέψτε τις ακόλουθες διαδικασίες.



**Βήμα 1:** Σπρώξτε το μπροστινό μέρος του ραφιού αργά μέχρι το τέλος.



**Βήμα 2:** Σπρώξτε το ράφι προς τα πάνω αργά στην κατακόρυφη θέση του.



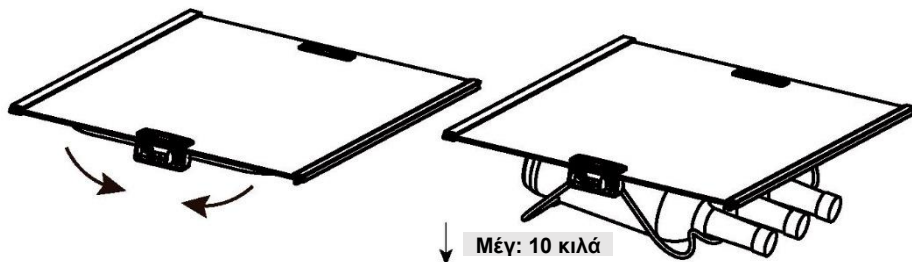
**Βήμα 3:** Το ράφι είναι κάθετο. Θα εξοικονομήσει χώρο.

## Πτυσσόμενο ράφι μπουκαλιών

Για κανονική χρήση

1. Τραβήξτε προς τα κάτω τα υποστηρίγματα του ραφιού μπουκαλιών
2. Τοποθετήστε τα μπουκάλια στο ράφι

Όταν δεν χρησιμοποιείται, το ράφι μπουκαλιών μπορεί να αναδιπλωθεί πάλι για εξοικονόμηση χώρου.



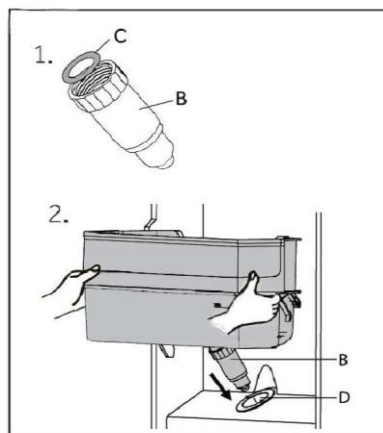
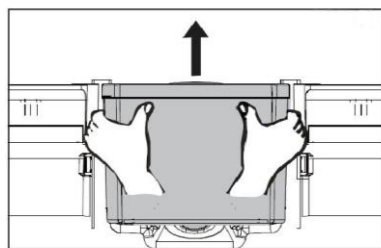
## Δοχείο νερού

### Αφαίρεση δοχείου νερού

Το δοχείο νερού μπορεί να αφαιρεθεί για καθαρισμό και να επανατοποθετηθεί με τον ίδιο τρόπο όπως και τα ράφια της πόρτας.

### Εισαγάγετε το δοχείο νερού

1. Βεβαιωθείτε ότι το στόμιο διανομέα (B) είναι καλά βιδωμένο στο δοχείο νερού και ότι το λευκό Ο-ριγκ (C) είναι στη θέση του.
2. Τοποθετήστε το δοχείο νερού στη θέση όπου το στόμιο διανομέα (B) εφαρμόζει στο άνοιγμα της πόρτας (D).



### Ειδοποίηση

- ▶ Βεβαιωθείτε ότι το στόμιο είναι καλά βιδωμένο στο δοχείο νερού και ότι το λευκό Ο-ριγκ (C) είναι στη θέση του.
- ▶ Εάν το δοχείο νερού δεν έχει τοποθετηθεί σωστά, μπορεί να στάξει νερό από τη σύνδεση.
- ▶ Μην ασκείτε υπερβολική δύναμη κατά την αφαίρεση ή την εγκατάσταση του δοχείου νερού, για να αποτραπούν ζημιές στο δοχείο.



## ΠΡΟΕΙΔΟΠΟΪΗΣΗ!

Αποσυνδέστε τη συσκευή από την τροφοδοσία πριν από τον καθαρισμό.

### Καθαρισμός

Καθαρίστε τη συσκευή μόνο όταν υπάρχουν αποθηκευμένα λίγα ή καθόλου τρόφιμα.

Η συσκευή πρέπει να καθαρίζεται κάθε τέσσερις εβδομάδες για καλή συντήρηση και για την αποφυγή αποθηκευμένων τροφίμων με δυσάρεστες οσμές.



## ΠΡΟΕΙΔΟΠΟΪΗΣΗ!

- ▶ Μην καθαρίζετε τη συσκευή με σκληρές βούρτσες, συρμάτινες βούρτσες, σκόνη απορρυπαντικού, βενζίνη, οξικό αμύλιο, ακετόνη και παρόμοια οργανικά διαλύματα, όξινα ή αλκαλικά διαλύματα. Καθαρίστε με ειδικό απορρυπαντικό ψυγείου για να αποφύγετε ζημιές.
- ▶ Μην ψεκάζετε ή ξεπλένετε τη συσκευή κατά τον καθαρισμό.
- ▶ Μην χρησιμοποιείτε σπρέι νερού ή ατμό για να καθαρίσετε τη συσκευή.
- ▶ Μην καθαρίζετε τα κρύα γυάλινα ράφια με ζεστό νερό. Η απότομη αλλαγή θερμοκρασίας μπορεί να προκαλέσει το σπάσιμο του γυαλιού.
- ▶ Μην αγγίζετε την εσωτερική επιφάνεια του χώρου αποθήκευσης του καταψύκτη, ειδικά με βρεγμένα χέρια, καθώς τα χέρια σας μπορεί να παγώσουν στην επιφάνεια.
- ▶ Σε περίπτωση θέρμανσης ελέγξτε την κατάσταση των κατεψυγμένων αγαθών.



- ▶ Διατηρείτε πάντα το λάστιχο της πόρτας καθαρό.
- ▶ Καθαρίστε το εσωτερικό και το περίβλημα της συσκευής με ένα σφουγγάρι βρεγμένο σε ζεστό νερό και ουδέτερο απορρυπαντικό.
- ▶ 1. Τρίψτε το εσωτερικό και το εξωτερικό του ψυγείου, συμπεριλαμβανομένων των λάστιχων της πόρτας, της σχάρας της πόρτας, των γυάλινων ραφιών, των κουτιών και ούτω καθεξής, με μια μαλακή πετσέτα ή ένα σφουγγάρι βουτηγμένο σε ζεστό νερό (μπορείτε να προσθέσετε ουδέτερο απορρυπαντικό στο ζεστό νερό).
- ▶ 2. Εάν χυθεί υγρό, αφαιρέστε όλα τα μολυσμένα μέρη, ξεπλύνετε απευθείας με το νερό ροής, στεγνώστε και τοποθετήστε το πίσω στο ψυγείο.
- ▶ 3. Εάν υπάρχει χυμνή κρέμα (όπως η κρέμα γάλακτος, το παγωτό που λιώνει), αφαιρέστε όλα τα μολυσμένα μέρη, βάλτε στο ζεστό νερό με περίπου 40 °C για κάποιο χρονικό διάστημα, στη συνέχεια ξεπλύνετε με το νερό ροής, στεγνώστε και τοποθετήστε το ξανά στο ψυγείο.
- ▶ 4. Σε περίπτωση που κάποιο μικρό μέρος ή εξάρτημα κολλήσει μέσα στο ψυγείο (ανάμεσα σε ράφια ή συρτάρια), χρησιμοποιήστε μια μικρή μαλακή βούρτσα για να το απελευθερώσετε. Εάν δεν μπορείτε να φτάσετε το εξάρτημα, επικοινωνήστε με την υπηρεσία Haier

## Φροντίδα και καθαρισμός

- ▶ Ξεπλύνετε και στεγνώστε με μαλακό πανί.
- ▶ Μην καθαρίζετε κανένα από τα μέρη της συσκευής σε πλυντήριο πιάτων.
- ▶ Αφήστε τουλάχιστον 5 λεπτά πριν από την επανεκκίνηση της συσκευής, καθώς η συχνή εκκίνηση μπορεί να προκαλέσει ζημιά στον συμπιεστή.

### Απόψυξη

Η απόψυξη των θαλάμων του ψυγείου και της κατάψυξης γίνεται αυτόματα, δεν απαιτείται χειροκίνητη λειτουργία.

### Αντικατάσταση των λαμπτήρων LED



#### **ΠΡΟΕΙΔΟΠΟΪΗΣΗ!**

Μην αντικαθιστάτε μόνοι σας τον λαμπτήρα LED, πρέπει να αντικατασταθεί μόνον από τον κατασκευαστή ή από τον εξουσιοδοτημένο αντιπρόσωπο σέρβις.

Ο λαμπτήρας υιοθετεί το LED ως πηγή φωτός του, που χαρακτηρίζεται για τη χαμηλή κατανάλωση ενέργειας και τη μακριά διάρκεια ζωής. Εάν υπάρχει κάποια ανωμαλία, επικοινωνήστε με την εξυπηρέτηση πελατών. Δείτε την ενότητα ΕΞΥΠΗΡΕΤΗΣΗ ΠΕΛΑΤΩΝ.

Παράμετροι του λαμπτήρα:

|                        |            |
|------------------------|------------|
| Εξάρτημα               | Λάμπα LED  |
| Τάση σε V              | 12V        |
| Μέγ. ισχύς σε W        | 1,5 W      |
| Προδ. LED              | Λευκό-2835 |
| Κατηγορία απόδοσης LED | G          |
| Θερμοκρασία χρήσης     | -40~80°C   |

### **Να μην χρησιμοποιείται για μεγαλύτερα διαστήματα**

Εάν η συσκευή δεν χρησιμοποιηθεί για μεγάλο χρονικό διάστημα και δεν σκοπεύετε να χρησιμοποιήσετε τη λειτουργία Holiday για το ψυγείο:

Αφαιρέστε τα τρόφιμα.

Αποσυνδέστε το καλώδιο τροφοδοσίας.

Καθαρίστε τη συσκευή, όπως περιγράφεται παραπάνω.

Διατηρήστε τις πόρτες ανοικτές για να αποτρέψετε τη δημιουργία δυσοσμίας στο εσωτερικό.



#### **Ειδοποίηση**

Απενεργοποιήστε τη συσκευή μόνο εάν είναι απολύτως απαραίτητο.

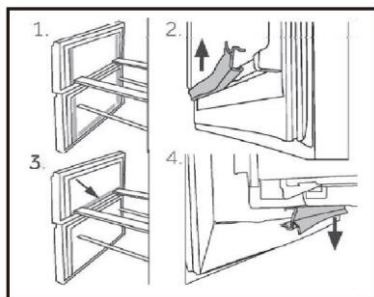


## Αφαιρούμενες βοηθητικές τσιμούχες πόρτας

Υπάρχουν έξι βοηθητικές τσιμούχες πόρτας στα επάνω και κάτω συρτάρια καταψύκτη.

1. Εντοπίστε τις πέντε υποδεικνυόμενες τσιμούχες πόρτας στα επάνω και κάτω συρτάρια καταψύκτη.
2. Βεβαιωθείτε ότι τα καμπυλωτά τμήματα των τσιμουχών είναι στραμμένα προς τα μέσα κατά τη σύνδεση.
3. Εντοπίστε την κάτω τσιμούχα του επάνω συρταριού όπως υποδεικνύεται.
4. Βεβαιωθείτε ότι το καμπυλωτό τμήμα αυτής της τσιμούχας είναι στραμμένο προς τα κάτω κατά τη σύνδεση.

Μπορείτε να προμηθευτείτε αυτές τις τσιμούχες καθώς και τις τσιμούχες περιστρεφόμενης πόρτας/συρταριού μέσω της εξυπηρέτησης πελατών (βλ. κάρτα εγγύησης).



## Μετακίνηση της συσκευής

1. Αφαιρέστε όλα τα τρόφιμα και αποσυνδέστε τη συσκευή.
2. Ασφαλίστε τα ράφια και τα άλλα κινητά μέρη στο ψυγείο και στον καταψύκτη με κολλητική ταινία.
3. Μην γέρνετε το ψυγείο περισσότερο από 45° ώστε να αποφύγετε ζημιά στο ψυκτικό σύστημα.

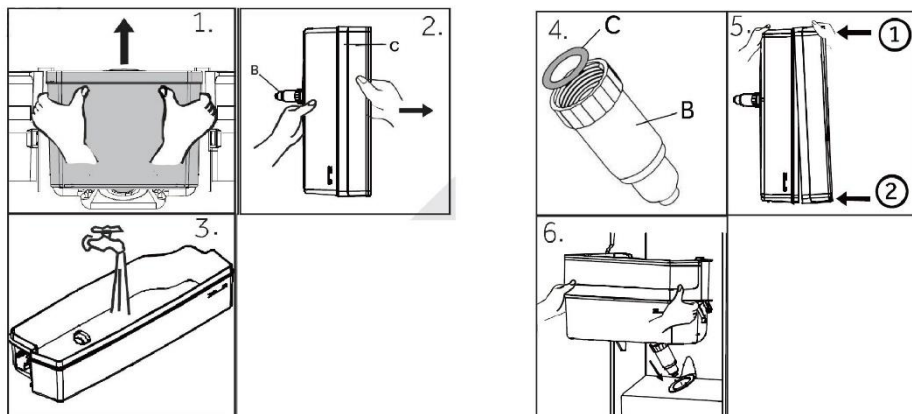


### ΠΡΟΕΙΔΟΠΟΪΗΣΗ!

- ▶ Μην σηκώνετε τη συσκευή από τις λαβές της.
- ▶ Μην τοποθετείτε ποτέ τη συσκευή οριζόντια στο έδαφος.

## Καθαρισμός της δεξαμενής νερού

1. Βγάλτε τη δεξαμενή νερού από τη συσκευή.
2. Αφαιρέστε το κάλυμμα (C) και ξεβιδώστε προσεκτικά το στόμιο του διανομέα (B).
3. Καθαρίστε το δοχείο νερού και το στόμιο του διανομέα με ζεστό τρεχούμενο νερό και υγρό απορρυπαντικό πιάτων. Βεβαιωθείτε ότι όλο το σαπούνι έχει ξεπλυθεί τελείως.
4. Τοποθετήστε το στόμιο διανομέα (B) και φροντίστε να είναι καλά βιδωμένο στο δοχείο νερού και ότι το λευκό Ο-ριγκ (C) είναι στη θέση του.
5. Πιέστε το κάλυμμα για να το ενώσετε με τη μία πλευρά του δοχείου νερού και στη συνέχεια με την άλλη πλευρά, ελέγξτε ότι το δοχείο νερού και το κάλυμμα έχουν συναρμολογηθεί πλήρως.
6. Αντικαταστήστε το δοχείο στο εσωτερικό της συσκευής. Βεβαιωθείτε ότι το στόμιο του διανομέα έχει εισαχθεί σωστά στην οπή της πόρτας.



### **i** Ειδοποίηση

- ▶ Εάν το δοχείο νερού δεν έχει τοποθετηθεί σωστά, μπορεί να στάξει νερό από τη σύνδεση.
- ▶ Μην ασκείτε υπερβολική δύναμη κατά την αφαίρεση ή την εγκατάσταση του δοχείου νερού, για να αποτραπούν ζημιές στο δοχείο.

Πολλά προβλήματα που παρουσιάζονται θα μπορούσαν να επιλυθούν από τον εαυτό σας χωρίς ειδική εμπειρογνώμοσύνη. Σε περίπτωση προβλήματος, ελέγξτε όλες τις εμφανιζόμενες δυνατότητες και ακολουθήστε τις παρακάτω οδηγίες προτού επικοινωνήσετε με το τμήμα εξυπηρέτησης πελατών μετά την πώληση. Δείτε την ενότητα ΕΞΥΠΗΡΕΤΗΣΗ ΠΕΛΑΤΩΝ.



## ΠΡΟΕΙΔΟΠΟΪΗΣΗ!

- ▶ Πριν από τη συντήρηση, απενεργοποιήστε τη συσκευή και αποσυνδέστε το φις από την πρίζα.
- ▶ Ο ηλεκτρικός εξοπλισμός πρέπει να συντηρείται μόνο από εξειδικευμένους ηλεκτρολόγους, επειδή οι ακατάλληλες επισκευές μπορούν να προκαλέσουν σημαντικές επακόλουθες ζημιές.
- ▶ Μια κατεστραμμένη τροφοδοσία θα πρέπει να αντικατασταθεί από τον κατασκευαστή ή τον αντιπρόσωπο του σέρβις ή παρόμοια εξουσιοδοτημένα πρόσωπα, προς αποφυγή του κινδύνου.

EL

## Πίνακας αντιμετώπισης προβλημάτων

| Πρόβλημα                                                                  | Πιθανή αιτία                                                                | Πιθανή λύση                                                                                                                                                     |
|---------------------------------------------------------------------------|-----------------------------------------------------------------------------|-----------------------------------------------------------------------------------------------------------------------------------------------------------------|
| Ο συμπιεστής δεν λειτουργεί.                                              | Το φις ρεύματος δεν είναι συνδεδεμένο στην πρίζα δικτύου.                   | Συνδέστε το φις ρεύματος.                                                                                                                                       |
|                                                                           | Η συσκευή βρίσκεται στον κύκλο απόψυξης.                                    | Αυτό είναι φυσιολογικό για αυτόματη απόψυξη.                                                                                                                    |
| Η συσκευή λειτουργεί συχνά ή λειτουργεί για πολύ μεγάλο χρονικό διάστημα. | Η εσωτερική και η εξωτερική θερμοκρασία είναι πολύ υψηλή.                   | Είναι φυσιολογικό η συσκευή να λειτουργεί περισσότερο.                                                                                                          |
|                                                                           | Η συσκευή απενεργοποιήθηκε για ένα χρονικό διάστημα.                        | Κανονικά, χρειάζονται 8 έως 12 ώρες για να κρυώσει εντελώς η συσκευή.                                                                                           |
|                                                                           | Η πόρτα / συρτάρι της συσκευής δεν είναι κλειστά.                           | Κλείστε την πόρτα/συρτάρι και βεβαιωθείτε ότι η συσκευή βρίσκεται σε οριζοντιωμένη επιφάνεια και ότι δεν υπάρχουν τρόφιμα ή δοχεία που να συγκρατούν την πόρτα. |
|                                                                           | Η πόρτα/το συρτάρι ανοίγει πολύ συχνά ή για μεγάλα χρονικά διαστήματα.      | Μην ανοίγετε την πόρτα / το συρτάρι πολύ συχνά.                                                                                                                 |
|                                                                           | Η ρύθμιση θερμοκρασίας για την κατάψυξη είναι πολύ χαμηλή.                  | Ρυθμίστε τη θερμοκρασία ψηλότερα μέχρι να επιτευχθεί μια ικανοποιητική θερμοκρασία ψύξης. Χρειάζονται 24 ώρες για να σταθεροποιηθεί η θερμοκρασία ψύξης.        |
|                                                                           | Η φλάντζα πόρτας/συρταριού είναι βρώμικη, φθαρμένη, ραγισμένη ή αταίριαστη. | Καθαρίστε την τσιμούχα πόρτας/συρταριού ή αντικαταστήστε την μέσω της εξυπηρέτησης πελατών.                                                                     |
|                                                                           | Η απαιτούμενη κυκλοφορία του αέρα δεν είναι εγγυημένη.                      | Εξασφαλίστε επαρκή αερισμό.                                                                                                                                     |

| Πρόβλημα                                                                                                   | Πιθανή αιτία                                                              | Πιθανή λύση                                                                                     |
|------------------------------------------------------------------------------------------------------------|---------------------------------------------------------------------------|-------------------------------------------------------------------------------------------------|
| Το εσωτερικό του ψυγείου είναι βρώμικο ή/και μυρίζει.                                                      | Το εσωτερικό του ψυγείου χρειάζεται καθαρισμό.                            | Καθαρίστε το εσωτερικό του ψυγείου.                                                             |
|                                                                                                            | Έχουν αποθηκευτεί στο ψυγείο τρόφιμα με έντονη οσμή.                      | Τυλίξτε καλά το φαγητό.                                                                         |
| Δεν υπάρχει αρκετή ψύξη στο εσωτερικό της συσκευής.                                                        | Η θερμοκρασία είναι πολύ υψηλή.                                           | Επαναφέρετε τη θερμοκρασία                                                                      |
|                                                                                                            | Έχουν αποθηκευτεί πολύ ζεστά τρόφιμα.                                     | Πάντα να κρυώνετε τα τρόφιμα πριν την αποθήκευσή τους.                                          |
|                                                                                                            | Πάρα πολύ φαγητό έχει αποθηκευτεί ταυτόχρονα.                             | Να αποθηκεύετε πάντα μικρές ποσότητες τροφίμων.                                                 |
|                                                                                                            | Τα τρόφιμα είναι πολύ κοντά το ένα στο άλλο.                              | Αφήστε ένα κενό μεταξύ πολλών τροφίμων που επιτρέπουν τη ροή του αέρα.                          |
|                                                                                                            | Η πόρτα / συρτάρια της συσκευής δεν είναι κλειστά.                        | Κλείστε την πόρτα / τα συρτάρια.                                                                |
|                                                                                                            | Η πόρτα/το συρτάρι ανοίγει πολύ συχνά ή για μεγάλα χρονικά διαστήματα.    | Μην ανοίγετε την πόρτα / το συρτάρι πολύ συχνά.                                                 |
| Υπάρχει αρκετή ψύξη στο εσωτερικό της συσκευής.                                                            | Η θερμοκρασία είναι πολύ χαμηλή.                                          | Επαναφέρετε τη θερμοκρασία.                                                                     |
|                                                                                                            | Η λειτουργία Super Freeze είναι ενεργοποιημένη ή εκτελείται παρατεταμένα. | Σβήστε τη λειτουργία Super Freeze.                                                              |
| Σχηματίζεται υγρασία στο εσωτερικό του θαλάμου ψυγείου.                                                    | Το κλίμα είναι πολύ ζεστό και πολύ υγρό.                                  | Αυξήστε τη θερμοκρασία.                                                                         |
|                                                                                                            | Η πόρτα / συρτάρια της συσκευής δεν είναι κλειστά.                        | Κλείστε την πόρτα / τα συρτάρια.                                                                |
|                                                                                                            | Η πόρτα/το συρτάρι ανοίγει πολύ συχνά ή για μεγάλα χρονικά διαστήματα.    | Μην ανοίγετε την πόρτα / το συρτάρι πολύ συχνά.                                                 |
|                                                                                                            | Τα δοχεία τροφίμων ή τα υγρά παραμένουν ανοιχτά.                          | Αφήστε τα ζεστά τρόφιμα να κρυώσουν σε θερμοκρασία δωματίου και καλύψτε τα τρόφιμα και τα υγρά. |
| Η υγρασία συσσωρεύεται στα ψυγεία έξω από την επιφάνεια ή ανάμεσα στις πόρτες / την πόρτα και τα συρτάρια. | Το κλίμα είναι πολύ ζεστό και πολύ υγρό.                                  | Αυτό είναι φυσιολογικό σε υγρό κλίμα και θα αλλάξει όταν μειώνεται η υγρασία.                   |
|                                                                                                            | Η πόρτα / το συρτάρι δεν είναι κλεισμένα σφιχτά.                          | Βεβαιωθείτε ότι η πόρτα/το συρτάρι είναι καλά κλειστά.                                          |

| Πρόβλημα                                                                    | Πιθανή αιτία                                                                | Πιθανή λύση                                                                                                          |
|-----------------------------------------------------------------------------|-----------------------------------------------------------------------------|----------------------------------------------------------------------------------------------------------------------|
| Ισχυρός πάγος και παγετός στο διαμέρισμα του καταψύκτη.                     | Τα τρόφιμα δεν είχαν συσκευαστεί ικανοποιητικά.                             | Συσκευάζετε πάντα καλά τα τρόφιμα.                                                                                   |
|                                                                             | Η πόρτα / συρτάρι της συσκευής δεν είναι κλειστά.                           | Κλείστε την πόρτα / τα συρτάρια.                                                                                     |
|                                                                             | Η πόρτα/το συρτάρι ανοίγει πολύ συχνά ή για μεγάλα χρονικά διαστήματα.      | Μην ανοίγετε την πόρτα / το συρτάρι πολύ συχνά.                                                                      |
|                                                                             | Η φλάντζα πόρτας/συρταριού είναι βρώμικη, φθαρμένη, ραγισμένη ή αταίριαστη. | Καθαρίστε την τσιμούχα πόρτας/συρταριού ή αντικαταστήστε την με νέα.                                                 |
|                                                                             | Κάτι στο εσωτερικό αποτρέπει στην πόρτα/συρτάρι να κλείσει σωστά.           | Επινατοποθετήστε τα ράφια, τα ράφια πόρτας, ή τα εσωτερικά δοχεία για να επιτραπεί το κλείσιμο της πόρτας/συρταριού. |
| Η συσκευή κάνει αφύσικους ήχους.                                            | Η συσκευή δεν βρίσκεται σε οριζοντιωμένο έδαφος.                            | Ρυθμίστε τα πόδια για να ισιώσετε τη συσκευή.                                                                        |
|                                                                             | Η συσκευή αγγίζει κάποιο αντικείμενο γύρω της.                              | Αφαιρέστε τα αντικείμενα γύρω από τη συσκευή.                                                                        |
| Ένας ελαφρύς ήχος πρέπει να ακούγεται παρόμοιος με αυτόν του ρέοντος νερού. | Αυτό είναι φυσιολογικό.                                                     | /                                                                                                                    |
| Θα ακούσετε ένα ηχητικό σήμα συναγερμού.                                    | Η πόρτα του χώρου αποθήκευσης ψυγείου είναι ανοιχτή.                        | Κλείστε την πόρτα ή απενεργοποιήστε το συναγερμό χειροκίνητα.                                                        |
| Θα ακούσετε ένα ανόχο βουητό.                                               | Το σύστημα κατά της συμπίκνωσης λειτουργεί.                                 | Αυτό αποτρέπει τη συμπίκνωση και είναι φυσιολογικό.                                                                  |
| Το σύστημα εσωτερικού φωτισμού ή ψύξης δεν λειτουργεί.                      | Το φις ρεύματος δεν είναι συνδεδεμένο στην πρίζα δικτύου                    | Συνδέστε το φις ρεύματος.                                                                                            |
|                                                                             | Η παροχή ρεύματος δεν είναι άθικτη.                                         | Ελέγξτε την παροχή ηλεκτρικού ρεύματος στο δωμάτιο. Καλέστε την τοπική εταιρεία ηλεκτρισμού!                         |
|                                                                             | Η λυχνία LED είναι εκτός λειτουργίας.                                       | Καλέστε την υπηρεσία για αλλαγή της λυχνίας.                                                                         |
| Οι πλευρές του ντουλαπιού και του λάστιχου της πόρτας θερμαίνονται.         | Αυτό είναι φυσιολογικό.                                                     | /                                                                                                                    |
| Δεν βγαίνει νερό από το στόμιο του διανομέα νερού                           | Το κλείδωμα δεν είναι απενεργοποιημένο.                                     | Απενεργοποιήστε το κλείδωμα                                                                                          |

### Διακοπή ρεύματος

- ▶ Σε περίπτωση διακοπής ρεύματος, τα τρόφιμα πρέπει να παραμένουν με ασφάλεια κρύα και σε συνθήκες ψύξης για περίπου 13 ώρες. Ακολουθήστε αυτές τις συμβουλές κατά τη διάρκεια παρατεταμένης διακοπής ρεύματος, ειδικά το καλοκαίρι.
- ▶ Ανοίγεται την πόρτα / συρτάρια όσο το δυνατόν λιγότερες φορές.
- ▶ Μην βάζετε επιπλέον τρόφιμα στη συσκευή κατά τη διάρκεια διακοπής ρεύματος.
- ▶ Εάν δοθεί προηγούμενη ειδοποίηση για διακοπή ρεύματος και η διάρκεια διακοπής είναι μεγαλύτερη από 13 ώρες, φτιάξτε λίγους κύβους πάγου και τοποθετήστε τους σε ένα δοχείο στο ανώτερο ράφι του θαλάμου ψυγείου.
- ▶ Αμέσως μετά τη διακοπή απαιτείται ο έλεγχος των τροφίμων.
- ▶ Καθώς η θερμοκρασία στο ψυγείο θα αυξηθεί κατά τη διάρκεια διακοπής ρεύματος ή άλλης βλάβης, η περίοδος αποθήκευσης και η βρώσιμη ποιότητα των τροφίμων θα μειωθούν. Οποιοδήποτε φαγητό αποψύχεται πρέπει να καταναλώνεται ή να μαγειρεύεται και να καταψύχεται (όταν επιτρέπεται αυτή η διαδικασία) λίγο μετά για την αποφυγή κινδύνων για την υγεία.



### Ειδοποίηση

#### Λειτουργία μνήμης κατά τη διακοπή ρεύματος

Μετά την επαναφορά του ρεύματος, η συσκευή συνεχίζει με τις ρυθμίσεις που είχαν ρυθμιστεί πριν από τη διακοπή ρεύματος.

Για να επικοινωνήσετε με την τεχνική βοήθεια, επισκεφθείτε τον ιστότοπό μας: <https://corporate.haier-europe.com/en/>

Στην ενότητα "ιστότοπος", επιλέξτε τη μάρκα του προϊόντος σας και τη χώρα σας. Θα ανακατευθυνθείτε στον συγκεκριμένο ιστότοπο όπου μπορείτε να βρείτε τον αριθμό τηλεφώνου και άλλους τρόπους για να επικοινωνήσετε με την τεχνική υποστήριξη.

## Αποσυσκευασία



### ΠΡΟΕΙΔΟΠΟΪΣΗ!

- ▶ Η συσκευή είναι βαριά. Πάντοτε θα πρέπει να χειρίζονται τη συσκευή δύο άτομα τουλάχιστον.
- ▶ Κρατήστε όλα τα υλικά συσκευασίας μακριά από τα παιδιά και απορρίψτε τα με φιλικό προς το περιβάλλον τρόπο.
- ▶ Βγάλε τη συσκευή από τη συσκευασία.
- ▶ Αφαιρέστε όλα τα υλικά συσκευασίας.

EL

## Περιβαλλοντικές συνθήκες

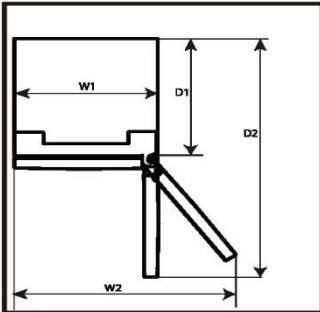
Η θερμοκρασία δωματίου πρέπει να είναι πάντα μεταξύ 10°C και 43°C, καθώς μπορεί να επηρεαστεί η θερμοκρασία στο εσωτερικό της συσκευής και η κατανάλωση ενέργειάς της. Μην εγκαθιστάτε τη συσκευή κοντά σε άλλες συσκευές που εκπέμπουν θερμότητα (φούρνους, ψυγεία) χωρίς μόνωση.

## Αντιστρεψιμότητα πόρτας

Πριν εγκατασταθεί μόνιμα η συσκευή, ελέγξτε τη σωστή θέση του μεντεσέ της πόρτας. Εάν είναι απαραίτητο, δείτε την ενότητα ΑΝΤΙΣΤΡΕΨΙΜΟΤΗΤΑ ΠΟΡΤΑΣ

## Απαιτήσεις χώρου

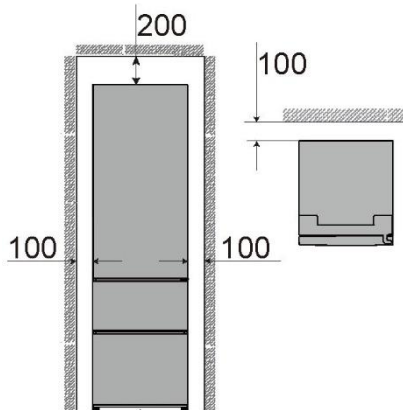
Ελάχιστος χώρος όταν η πόρτα είναι ανοικτή:



| Πλάτος συσκευής σε mm |     | Βάθος συσκευής σε mm |      |
|-----------------------|-----|----------------------|------|
| W1                    | W2  | D1                   | D2   |
| 595                   | 918 | 600                  | 1220 |

## Διατομή εξαερισμού

Για να επιτευχθεί επαρκής αερισμός της συσκευής για λόγους ασφαλείας, πρέπει να τηρούνται οι πληροφορίες των απαιτούμενων διατομών εξαερισμού.



## Αντιστρεψιμότητα πόρτας

Πριν συνδέσετε τη συσκευή στην τροφοδοσία ρεύματος, θα πρέπει να ελέγξετε εάν το άνοιγμα της πόρτας πρέπει να αλλάξει από δεξιά (όπως παραδίδεται) προς αριστερά, εάν αυτό απαιτείται από τη θέση εγκατάστασης και τη χρηστικότητα.



### ΠΡΟΕΙΔΟΠΟΪΗΣΗ!

- ▶ Η συσκευή είναι βαριά. Χρειάζεστε δύο άτομα για να πραγματοποιήσετε την αντιστρεψιμότητα της πόρτας.
- ▶ Πριν από οποιαδήποτε λειτουργία, αποσυνδέστε πρώτα τη συσκευή από την πρίζα
- ▶ Μην γέρνετε τη συσκευή περισσότερο από 45° για να αποφύγετε ζημιά στο σύστημα ψύξης.

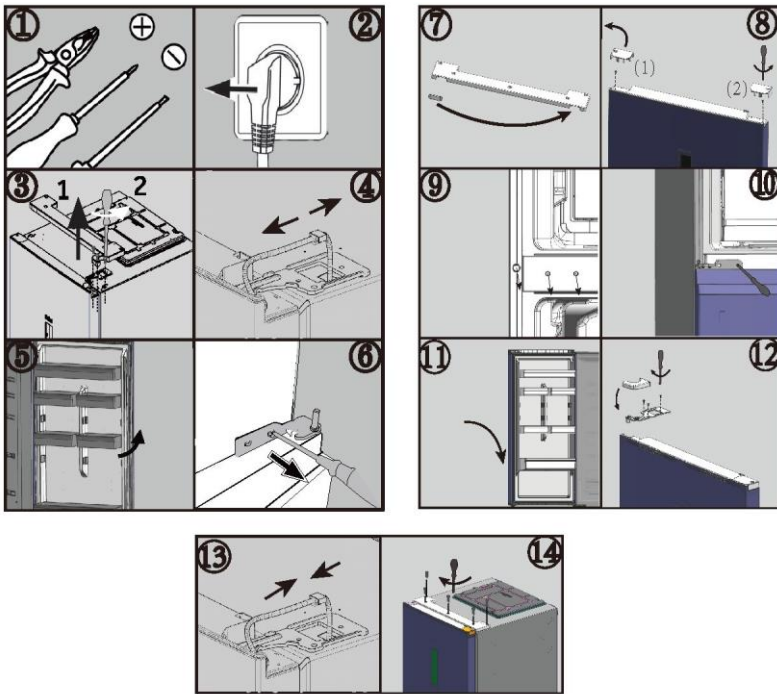
## Βήματα συναρμολόγησης

1. Παρέχετε τα απαραίτητα εργαλεία.
2. Αποσυνδέστε τη συσκευή από την πρίζα.
3. Αφαιρέστε το κάλυμμα του επάνω μεντεσέ (1) και ξεβιδώστε τον επάνω μεντεσέ (τρεις βίδες) στη δεξιά πλευρά (2).
4. Αποσυνδέστε το καλώδιο σύνδεσης
5. Ανασηκώστε προσεκτικά τη λασκαρισμένη πόρτα του ψυγείου από τον κάτω μεντεσέ.
6. Αφαιρέστε τον κάτω μεντεσέ της επάνω πόρτας
7. Αφαιρέστε το μικρό κάλυμμα του μπροστινού πάνελ από την αριστερή προς τη δεξιά πλευρά.
8. Γυρίστε την πόρτα ανάποδα και ξεβιδώστε το κάλυμμα (1). Βγάλτε το νέο κάλυμμα (2) από τον σάκο παρελκόμενων και βιδώστε το στην απέναντι πλευρά.
9. Αλλάξτε τις θέσεις των τυφλών πωμάτων και της βίδας στο πλάι.



10. Βιδώστε τον κάτω μεντεσέ στην αριστερή πλευρά της συσκευής.
11. Σηκώστε προσεκτικά την επάνω πόρτα στον κάτω μεντεσέ. Και βεβαιωθείτε ότι ο άξονας εφαρμόζει στην υποδοχή μεντεσέ της κάτω πόρτας.
12. Βγάλτε τον καινούργιο επάνω μεντεσέ και το κάλυμμα μεντεσέ από τον σάκο παρελκόμενων. Περάστε το καλώδιο σύνδεσης μέσα από τον επάνω μεντεσέ και στερεώστε τον επάνω μεντεσέ με τρεις βίδες στην αριστερή πλευρά της συσκευής. Και μετά τοποθετήστε το κάλυμμα του μεντεσέ πάνω από τον μεντεσέ.
13. Συνδέστε το καλώδιο σύνδεσης.
14. Αντικαταστήστε το μπροστινό πάνελ και στερεώστε το με πέντε βίδες.

Μετά την αλλαγή της πόρτας ελέγξτε εάν οι τσιμούχες πόρτας έχουν τοποθετηθεί σωστά στο περίβλημα και όλες οι βίδες είναι καλά σφιγμένες.



### Θερμοκρασίες περιβάλλοντος

Εκτεταμένη εύκρατη: αυτή η ψυκτική συσκευή προορίζεται να χρησιμοποιηθεί σε θερμοκρασίες περιβάλλοντος από 10°C έως 32°C

Εύκρατη: αυτή η ψυκτική συσκευή προορίζεται να χρησιμοποιηθεί σε θερμοκρασίες περιβάλλοντος από 16°C έως 32°C.

Υποτροπική: αυτή η ψυκτική συσκευή προορίζεται να χρησιμοποιηθεί σε θερμοκρασίες περιβάλλοντος από 16°C έως 38°C.

Τροπική: αυτή η ψυκτική συσκευή προορίζεται να χρησιμοποιηθεί σε θερμοκρασίες περιβάλλοντος από 16°C έως 43°C.

## Δελτίο προϊόντος σύμφωνα με τον κανονισμό ΕΕ υπ' αριθ. 2019/2016

Βάσει αποτελεσμάτων τυποποιημένων δοκιμών για 24 ώρες. Η πραγματική κατανάλωση ενέργειας εξαρτάται από τον τρόπο χρήσης της συσκευής και από τη θέση που βρίσκεται

| Εμπορικό σήμα                                                                                                    | Haier             | Haier             | Haier             |
|------------------------------------------------------------------------------------------------------------------|-------------------|-------------------|-------------------|
| Αναγνωριστικό μοντέλου                                                                                           | HTW5618DN*        | HTW5620DN*        | HTW5618DW*        |
| Κατηγορία του μοντέλου                                                                                           | Ψυγείο-καταψύκτης | Ψυγείο-καταψύκτης | Ψυγείο-καταψύκτης |
| Κατηγορία ενεργειακής απόδοσης                                                                                   | D                 | D                 | D                 |
| Ετήσια κατανάλωση ενέργειας (kWh/έτος)                                                                           | 217               | 226               | 216               |
| Όγκος ψυγείου (L)                                                                                                | 201               | 255               | 198               |
| Όγκος κατάψυξης (L)                                                                                              | 125               | 125               | 125               |
| Όγκος My Zone (L)                                                                                                | 34                | 34                | 34                |
| κατάταξη με αστέρες                                                                                              | 4                 | 4                 | 4                 |
| Σύστημα χωρίς πάγο                                                                                               | Ναι               | Ναι               | Ναι               |
| Ώρες αυτονομίας σε περίπτωση διακοπής ηλεκτρικού ρεύματος(h)/ Χρόνος ανόδου της θερμοκρασίας (h)                 | 13                | 13                | 13                |
| Χωρητικότητα καταψύκτη (κιλά/24 ώρες)                                                                            | 10                | 10                | 10                |
| Κλιματική κλάση Αυτή η συσκευή προορίζεται να χρησιμοποιηθεί σε θερμοκρασία περιβάλλοντος μεταξύ 10° C και 43° C | SN/N/ST/T         | SN/N/ST/T         | SN/N/ST/T         |
| Κατηγορία εκπομπών θορύβου και εκπομπών αερόφερτου ακουστικού θορύβου (dB(A) re 1pW)                             | 35                | 35                | 35                |

| Εμπορικό σήμα                                                                                                       | Haier             | Haier             |
|---------------------------------------------------------------------------------------------------------------------|-------------------|-------------------|
| Αναγνωριστικό μοντέλου                                                                                              | HTW5618CN*        | HTW5620CN*        |
| Κατηγορία του μοντέλου                                                                                              | Ψυγείο-καταψύκτης | Ψυγείο-καταψύκτης |
| Κατηγορία ενεργειακής απόδοσης                                                                                      | C                 | C                 |
| Ετήσια κατανάλωση ενέργειας (kWh/ έτος)                                                                             | 173               | 181               |
| Όγκος ψυγείου (L)                                                                                                   | 201               | 255               |
| Όγκος κατάψυξης (L)                                                                                                 | 125               | 125               |
| Όγκος My Zone (L)                                                                                                   | 34                | 34                |
| κατάταξη με αστέρες                                                                                                 | 4                 | 4                 |
| Σύστημα χωρίς πάγο                                                                                                  | Ναι               | Ναι               |
| Ώρες αυτονομίας σε περίπτωση διακοπής ηλεκτρικού ρεύματος(h)/Χρόνος ανόδου της θερμοκρασίας (h)                     | 13                | 13                |
| Χωρητικότητα καταψύκτη (κιλά/24 ώρες)                                                                               | 10                | 10                |
| Κλιματική κλάση<br>Αυτή η συσκευή προορίζεται να χρησιμοποιηθεί σε θερμοκρασία περιβάλλοντος μεταξύ 10° C και 43° C | SN/N/ST/T         | SN/N/ST/T         |
| Κατηγορία εκπομπών θορύβου και εκπομπών αερόφερτου ακουστικού θορύβου (dB(A) re 1pW)                                | 35                | 35                |

## Δελτίο προϊόντος σύμφωνα με τον κανονισμό ΕΕ υπ' αριθ. 2019/2016

Βάσει αποτελεσμάτων τυποποιημένων δοκιμών για 24 ώρες. Η πραγματική κατανάλωση ενέργειας εξαρτάται από τον τρόπο χρήσης της συσκευής και από τη θέση που βρίσκεται

| Εμπορικό σήμα                                                                                                       | Haier             | Haier             | Haier             |
|---------------------------------------------------------------------------------------------------------------------|-------------------|-------------------|-------------------|
| Αναγνωριστικό μοντέλου                                                                                              | HDPW5618DN*       | HDPW5620DN*       | HDPW5618DW*       |
| Κατηγορία του μοντέλου                                                                                              | Ψυγείο-καταψύκτης | Ψυγείο-καταψύκτης | Ψυγείο-καταψύκτης |
| Κατηγορία ενεργειακής απόδοσης                                                                                      | D                 | D                 | D                 |
| Ετήσια κατανάλωση ενέργειας (kWh/έτος)                                                                              | 214               | 220               | 214               |
| Όγκος ψυγείου (L)                                                                                                   | 201               | 255               | 198               |
| Όγκος κατάψυξης (L)                                                                                                 | 117               | 117               | 117               |
| Όγκος My Zone (L)                                                                                                   | 34                | 34                | 34                |
| κατάταξη με αστέρες                                                                                                 | 4                 | 4                 | 4                 |
| Σύστημα χωρίς πάγο                                                                                                  | Ναι               | Ναι               | Ναι               |
| Ώρες αυτονομίας σε περίπτωση διακοπής ηλεκτρικού ρεύματος(h)/ Χρόνος ανόδου της θερμοκρασίας (h)                    | 13                | 13                | 13                |
| Χωρητικότητα καταψύκτη (κιλά/24 ώρες)                                                                               | 10                | 10                | 10                |
| Κλιματική κλάση<br>Αυτή η συσκευή προορίζεται να χρησιμοποιηθεί σε θερμοκρασία περιβάλλοντος μεταξύ 10° C και 43° C | SN/N/ST/T         | SN/N/ST/T         | SN/N/ST/T         |
| Κατηγορία εκπομπών θορύβου και εκπομπών αερόφερτου ακουστικού θορύβου (dB(A) re 1pW)                                | 35                | 35                | 35                |

| Εμπορικό σήμα                                                                                                       | Haier             | Haier             | Haier             |
|---------------------------------------------------------------------------------------------------------------------|-------------------|-------------------|-------------------|
| Αναγνωριστικό μοντέλου                                                                                              | HDPW5618CN*       | HDPW5620CN*       | HDPW5620AN*       |
| Κατηγορία του μοντέλου                                                                                              | Ψυγείο-καταψύκτης | Ψυγείο-καταψύκτης | Ψυγείο-καταψύκτης |
| Κατηγορία ενεργειακής απόδοσης                                                                                      | C                 | C                 | A                 |
| Ετήσια κατανάλωση ενέργειας (kWh/έτος)                                                                              | 171               | 176               | 114               |
| Όγκος ψυγείου (L)                                                                                                   | 201               | 255               | 255               |
| Όγκος κατάψυξης (L)                                                                                                 | 117               | 117               | 120               |
| Όγκος My Zone (L)                                                                                                   | 34                | 34                | 34                |
| κατάταξη με αστέρες                                                                                                 | 4                 | 4                 | 4                 |
| Σύστημα χωρίς πάγο                                                                                                  | Ναι               | Ναι               | Ναι               |
| Ώρες αυτονομίας σε περίπτωση διακοπής ηλεκτρικού ρεύματος(h)/ Χρόνος ανόδου της θερμοκρασίας (h)                    | 13                | 13                | 16                |
| Χωρητικότητα καταψύκτη (κιλά/24 ώρες)                                                                               | 10                | 10                | 10                |
| Κλιματική κλάση<br>Αυτή η συσκευή προορίζεται να χρησιμοποιηθεί σε θερμοκρασία περιβάλλοντος μεταξύ 10° C και 43° C | SN/N/ST/T         | SN/N/ST/T         | SN/N/ST/T         |
| Κατηγορία εκπομπών θορύβου και εκπομπών αερόφερτου ακουστικού θορύβου (dB(A) re 1pW)                                | 35                | 35                | 35                |

Πρόσθετα τεχνικά δεδομένα

|                          |                                     |               |               |               |
|--------------------------|-------------------------------------|---------------|---------------|---------------|
| Αναγνωριστικό μοντέλου   | HTW5618D*                           | HTW5620DN*    | HTW5618CN*    | HTW5620CN*    |
| Συνολικός όγκος (Λίτρα)  | 360<br>(357 για<br>HTW5618DWMG(UK)) | 414           | 360           | 414           |
| Τάση/Συχνότητα           | 220-240V/50Hz                       | 220-240V/50Hz | 220-240V/50Hz | 220-240V/50Hz |
| Ρεύμα εισόδου (A)        | 1,4A                                | 1,4A          | 1,4A          | 1,4A          |
| Ασφάλεια κεντρική (A)    | 16A                                 | 16A           | 15A           | 15A           |
| Ψυκτικό/ ποσότητα        | R600a/53g                           | R600a/53g     | R600a/50g     | R600a/50g     |
| Διαστάσεις (Π/Β/Υ σε mm) | 595*667*1850                        | 595*667*2050  | 595*667*1850  | 595*667*2050  |

|                          |              |              |              |
|--------------------------|--------------|--------------|--------------|
| Αναγνωριστικό μοντέλου   | HDPW5618D*   | HDPW5618DW*  | HDPW5620DN*  |
| Συνολικός όγκος (Λίτρα)  | 352          | 349          | 406          |
| Τάση/Συχνότητα           | 220-240/50Hz | 220-240/50Hz | 220-240/50Hz |
| Ρεύμα εισόδου (A)        | 1,4A         | 1,4A         | 1,4A         |
| Ασφάλεια κεντρική (A)    | 16A          | 16A          | 16A          |
| Ψυκτικό/ ποσότητα        | R600a/53g    | R600a/53g    | R600a/53g    |
| Διαστάσεις (Π/Β/Υ σε mm) | 595*667*1850 | 595*667*1850 | 595*667*2050 |

| Αναγνωριστικό μοντέλου   | HDPW5618CN*  | HDPW5620CN*  | HDPW5620AN*  |
|--------------------------|--------------|--------------|--------------|
| Συνολικός όγκος (Λίτρα)  | 352          | 406          | 409          |
| Τάση/Συχνότητα           | 220~240/50Hz | 220~240/50Hz | 220~240/50Hz |
| Ρεύμα εισόδου (A)        | 1,4A         | 1,4A         | 1,4A         |
| Ασφάλεια κεντρική (A)    | 15A          | 15A          | 15A          |
| Ψυκτικό/ ποσότητα        | R600a/50g    | R600a/50g    | R600a/50g    |
| Διαστάσεις (Π/Β/Υ σε mm) | 595*667*1850 | 595*667*2050 | 595*667*2050 |

### Πρότυπα και οδηγίες

Αυτό το προϊόν πληροί τις απαιτήσεις όλων των εφαρμοστέων κοινοτικών οδηγιών με τα αντίστοιχα εναρμονισμένα πρότυπα, τα οποία προβλέπουν τη σήμανση CE.

## Εξυπηρέτηση πελατών

Συνιστούμε την Εξυπηρέτηση Πελατών της Haier και τη χρήση γνήσιων ανταλλακτικών.

Εάν έχετε κάποιο πρόβλημα με τη συσκευή σας, ελέγξτε πρώτα την ενότητα ΑΝΤΙΜΕΤΩΠΙΣΗ ΠΡΟΒΛΗΜΑΤΩΝ.

Εάν δεν μπορείτε να βρείτε μια λύση εκεί, επικοινωνήστε

- ▶ με τον τοπικό σας αντιπρόσωπο ή
- ▶ το Ευρωπαϊκό τηλεφωνικό κέντρο εξυπηρέτησης (βλ. παρακάτω αριθμούς τηλεφώνου) ή
- ▶ πηγαίνετε στην ενότητα Εξυπηρέτηση και Υποστήριξη στη διεύθυνση [www.haier.com](http://www.haier.com) όπου μπορείτε να υποβάλετε αίτημα εξυπηρέτησης
- ▶ και επίσης να βρείτε τις συχνές ερωτήσεις.

Για να επικοινωνήσετε με την Υπηρεσία μας, βεβαιωθείτε ότι έχετε τα ακόλουθα δεδομένα διαθέσιμα.

Οι πληροφορίες μπορείτε να βρείτε στην πινακίδα αξιολόγησης.

Μοντέλο \_\_\_\_\_

Σειριακός αριθμός. \_\_\_\_\_

Επίσης, ελέγξτε την Κάρτα Εγγύησης που παρέχεται με το προϊόν σε περίπτωση εγγύησης.

| Ευρωπαϊκό Τηλεφωνικό Κέντρο |                   |                                                                                                                              |
|-----------------------------|-------------------|------------------------------------------------------------------------------------------------------------------------------|
| Χώρα*                       | Αριθμός τηλεφώνου | Έξοδα                                                                                                                        |
| Haier Italy (IT)            | 199 100 912       |                                                                                                                              |
| Haier Spain (ES)            | 902 509 123       |                                                                                                                              |
| Haier Germany (DE)          | 0180 5 39 39 99   | <ul style="list-style-type: none"><li>• 14 σεντς/λεπτό από σταθερό</li><li>• μέγιστο 42 σεντς/λεπτό από κινητό</li></ul>     |
| Haier Austria (AT)          | 0820 001 205      | <ul style="list-style-type: none"><li>• 14,53 σεντς/λεπτό από σταθερό</li><li>• μέγιστο 20 σεντς/λεπτό όλα τα άλλα</li></ul> |
| Haier United Kingdom (UK)   | 0333 003 8122     |                                                                                                                              |
| Haier France (FR)           | 0980 406 409      |                                                                                                                              |



\* Για άλλες χώρες, ανατρέξτε στο [www.haier.com](http://www.haier.com)

Haier Europe Trading S.r.l

Υποκατάστημα Ηνωμένο Βασίλειο

Westgate House, Westgate, Ealing

Λονδίνο, W5 1ΥΥ

\*Διάρκεια εγγύησης της ψυκτικής συσκευής:

Η ελάχιστη εγγύηση είναι: 2 χρόνια για τις χώρες της ΕΕ, 3 χρόνια για την Τουρκία, 1 χρόνο για το Ηνωμένο Βασίλειο, 1 χρόνο για τη Ρωσία, 3 χρόνια για τη Σουηδία, 2 χρόνια για τη Σερβία, 5 χρόνια για τη Νορβηγία, 1 χρόνο για το Μαρόκο, 6 μήνες για την Αλγερία, για την Τυνησία δεν απαιτείται νομική εγγύηση.

\*Περίοδος διάθεσης ανταλλακτικών για επισκευή της συσκευής:

Θερμοστάτες, αισθητήρες θερμοκρασίας, πλακέτες τυπωμένων κυκλωμάτων και πηγές φωτός διατίθενται για επτά τουλάχιστον χρόνια μετά τη διάθεση της τελευταίας μονάδας του μοντέλου στην αγορά.

Λαβές πόρτας, μεντεσέδες πόρτας, δίσκοι και καλάθια διατίθενται για περίοδο τουλάχιστον επτά ετών και λάστιχα πόρτας για περίοδο τουλάχιστον 10 ετών μετά τη διάθεση της τελευταίας μονάδας του μοντέλου στην αγορά.

\*Για περισσότερες πληροφορίες σχετικά με το προϊόν, συμβουλευτείτε τη διεύθυνση <https://eprel.ec.europa.eu/> ή σαρώστε τον κωδικό QR στην ενεργειακή ετικέτα που παρέχεται με τη συσκευή.



ES

---

|                                     |     |
|-------------------------------------|-----|
| Información de seguridad .....      | 250 |
| Uso previsto .....                  | 256 |
| Descripción del producto .....      | 257 |
| Panel de control .....              | 263 |
| Uso .....                           | 264 |
| Uso del Wi-Fi .....                 | 269 |
| Uso .....                           | 270 |
| Consejos de ahorro de energía ..... | 273 |
| Equipo .....                        | 274 |
| Cuidado y limpieza .....            | 278 |
| Solución de problemas .....         | 282 |
| Instalación .....                   | 286 |
| Datos técnicos .....                | 289 |
| Atención al cliente .....           | 295 |



---

## **Gracias por comprar un producto Haier.**

Lea atentamente estas instrucciones antes de utilizar este electrodoméstico. Las instrucciones contienen información importante que le ayudará a entender mejor el electrodoméstico y a garantizar una instalación, uso y mantenimiento seguros y adecuados.

Guarde este manual en un lugar accesible para que siempre pueda consultarlo para el uso seguro y adecuado del electrodoméstico.

Si usted vende el electrodoméstico, lo dona o lo deja atrás al mudarse, asegúrese de dejar también este manual para que el nuevo propietario pueda familiarizarse con el electrodoméstico y las advertencias de seguridad con ayuda del manual.



## **ADVERTENCIA: Información de seguridad importante**



## **AVISO: Información general y consejos**



## **Información medioambiental**



### **Eliminación**

Ayude a proteger el medio ambiente y la salud humana. Tire el embalaje en los contenedores correspondientes para reciclarlo. Ayude a reciclar los residuos de aparatos eléctricos y electrónicos. No deseche los aparatos marcados con este símbolo en la basura doméstica. Lleve el producto a su planta de reciclaje local o póngase en contacto con su oficina municipal.



## **ADVERTENCIA**

¡Peligro de lesiones o asfixia!

Los refrigerantes y gases deben ser eliminados de forma profesional. Asegúrese de que la tubería del circuito refrigerante no está dañada antes de desecharla adecuadamente. Desconecte el electrodoméstico de la red eléctrica. Corte el cable de red y deséchelo. Quite las bandejas y los cajones, así como el asa de la puerta y las juntas, para evitar que los niños y las mascotas se queden encerrados en el electrodoméstico.

## Antes de encender el electrodoméstico por primera vez, lea las siguientes directrices de seguridad:



### ¡ADVERTENCIA!

#### Antes del primer uso

- ▶ Asegúrese de que no haya daños causados por el transporte.
- ▶ Retire todo el embalaje y manténgalo fuera del alcance de los niños.
- ▶ Espere al menos dos horas antes de instalar el electrodoméstico para asegurarse de que el circuito refrigerante sea totalmente eficiente.
- ▶ Este electrodoméstico pesa mucho: manipúlelo con la ayuda de otra persona.

#### Instalación

- ▶ Este electrodoméstico debe colocarse en un lugar bien ventilado. Asegúrese de dejar un espacio libre de al menos 10 cm por encima y alrededor del electrodoméstico.
- ▶ No coloque el electrodoméstico en un área húmeda o en un lugar donde pueda recibir salpicaduras de agua. Limpie y seque las salpicaduras y manchas con un paño suave y limpio.
- ▶ No instale el electrodoméstico bajo la luz directa del sol o cerca de fuentes de calor (p. ej.: fogones, estufas...).
- ▶ Instale y nivele el electrodoméstico en un lugar adecuado para su tamaño y uso.
- ▶ No obstruya las aberturas de ventilación del armazón del electrodoméstico o de la estructura integrada.
- ▶ Asegúrese de que la información eléctrica de la placa de características técnicas coincida con la fuente de alimentación. Si no es así, póngase en contacto con un electricista.
- ▶ Este electrodoméstico funciona mediante una fuente de alimentación de 220-240 V CA/50 Hz. Una fluctuación anormal del voltaje puede provocar que el electrodoméstico no se ponga en marcha o que se dañe el control de temperatura o el compresor, o que se oiga un ruido anormal durante el funcionamiento. En tal caso, se deberá instalar un regulador automático.
- ▶ Utilice una toma de corriente a tierra separada para la fuente de alimentación a la que se pueda acceder fácilmente. Este electrodoméstico debe conectarse a tierra.
- ▶ Solo para el Reino Unido: El cable de alimentación de este electrodoméstico está equipado con un enchufe de 3 cables (con puesta a tierra) que se ajusta a una toma de corriente estándar de 3 cables (puesta a tierra). No corte ni desmonte la tercera patilla (toma de tierra). Una vez instalado el electrodoméstico, el enchufe debe ser accesible.
- ▶ No utilice adaptadores de múltiples contactos ni cables de extensión.
- ▶ Asegúrese de que el cable de alimentación no quede aprisionado por el frigorífico. No oprima el cable de alimentación.
- ▶ No dañe el circuito del refrigerante.
- ▶ No ubique tomas de corriente múltiples portátiles ni fuentes de alimentación portátiles en la parte trasera del electrodoméstico.

## ¡ADVERTENCIA!

### Uso diario

- ▶ Este electrodoméstico puede ser utilizado por niños a partir de 8 años y por personas con capacidades físicas, sensoriales o mentales reducidas, o sin experiencia o conocimientos previos, siempre y cuando lo hagan bajo supervisión, hayan recibido las instrucciones necesarias para un uso seguro y comprendan los riesgos que esto implica.
- ▶ Los niños no deben jugar con este electrodoméstico.
- ▶ Se permite que los niños de 3 a 8 años llenen y vacíen aparatos de refrigeración, pero no están autorizados a limpiarlos e instalarlos.
- ▶ Mantenga a los niños menores de 3 años alejados del electrodoméstico a menos que estén bajo supervisión todo el tiempo.
- ▶ Las operaciones de limpieza y mantenimiento no deben ser realizadas por niños sin supervisión.
- ▶ El electrodoméstico debe colocarse de forma que el enchufe sea accesible.
- ▶ Si se filtra gas refrigerante u otro gas inflamable en las proximidades del electrodoméstico, apague la válvula del gas filtrado, abra las puertas y ventanas y no desconecte un enchufe en el cable de alimentación del frigorífico/congelador o cualquier otro electrodoméstico.
- ▶ Tenga en cuenta que el electrodoméstico está configurado para funcionar en un intervalo de temperatura ambiente específico de entre 10 y 43 °C. El electrodoméstico no puede funcionar correctamente si se deja durante mucho tiempo a una temperatura superior o inferior al intervalo indicado.
- ▶ No coloque artículos inestables (objetos pesados, recipientes llenos de agua) en la parte superior del frigorífico/congelador, a fin de evitar lesiones personales causadas por caídas o descargas eléctricas causadas por el contacto con el agua.
- ▶ No tire de los estantes de la puerta. La puerta se puede doblar, el botellero puede soltarse y el electrodoméstico puede volcar.
- ▶ Abra y cierre la puerta solamente usando las asas. El espacio entre la puerta y el armario es muy estrecho. No ponga las manos en estas áreas para evitar pillarse los dedos. Abra o cierre las puertas del frigorífico/congelador solo cuando no haya niños dentro del área de movimiento de la puerta.
- ▶ Nunca almacene cerveza o bebidas embotelladas, líquidos en botellas o latas (aparte de bebidas de alto grado alcohólico), especialmente las bebidas carbonatadas, en el congelador, ya que reventarían durante la congelación.
- ▶ No conserve en este electrodoméstico sustancias explosivas, como aerosoles con propelentes inflamables.



## ¡ADVERTENCIA!

- ▶ No guarde medicamentos, bacterias ni agentes químicos en el electrodoméstico. Este aparato es un electrodoméstico. No se recomienda almacenar materiales que requieran temperaturas extremas.
- ▶ Para evitar que los alimentos puedan contaminarse, ciñase a las siguientes instrucciones:
  - ▶ - Dejar la puerta abierta durante largos períodos de tiempo puede causar un aumento significativo de la temperatura en los compartimentos del electrodoméstico.
  - ▶ - Limpie regularmente las superficies que puedan entrar en contacto con alimentos y los sistemas de drenaje accesibles.
  - ▶ - Limpie los depósitos de agua si no se han utilizado durante 48 h; enjuague el circuito del agua conectado a un suministro de agua si no se ha utilizado agua durante 5 días.
  - ▶ - Guarde la carne cruda y el pescado en recipientes adecuados en el frigorífico de manera que no entren en contacto ni goteen sobre otros alimentos.
  - ▶ - Los compartimentos marcados con dos estrellas para alimentos congelados son adecuados para guardar alimentos congelados previamente, para guardar o hacer helados y para hacer cubitos de hielo.
  - ▶ - Los compartimentos marcados con una, dos y tres estrellas no son aptos para congelar alimentos frescos.
  - ▶ - Si deja el frigorífico vacío durante largos períodos, apáguelo, elimine la escarcha, límpielo, séquelo y deje la puerta abierta para evitar la proliferación de moho en su interior.
  - ▶ Compruebe el estado de los alimentos si se ha producido un calentamiento en el congelador.
  - ▶ No ajuste una temperatura demasiado baja sin necesidad en el compartimento frigorífico. Los ajustes más altos pueden generar temperaturas bajo cero. Atención: las botellas pueden estallar.
  - ▶ No toque los productos congelados con las manos mojadas (use guantes). Sobre todo, no coma hielo inmediatamente después de haberlo sacado del congelador. Existe el riesgo de congelación o de formación de ampollas. **PRIMEROS AUXILIOS:** poner inmediatamente bajo el grifo de agua fría. ¡No tirar!
  - ▶ No toque la superficie interior del compartimento de almacenamiento del frigorífico cuando esté en funcionamiento, especialmente con las manos mojadas, ya que las manos pueden congelarse por la superficie.
  - ▶ Desenchufe el electrodoméstico en caso de interrupción del suministro eléctrico o antes de limpiarlo. Deje pasar al menos 7 minutos antes de reiniciar el electrodoméstico, ya que el arranque frecuente puede dañar el compresor.
  - ▶ No use dispositivos eléctricos dentro de los compartimentos para alimentos del electrodoméstico, salvo que sean del tipo recomendado por el fabricante.

## ¡ADVERTENCIA!

### Mantenimiento/limpieza

- ▶ Asegúrese de que los niños están bajo supervisión si realizan tareas de limpieza y mantenimiento.
- ▶ Desconecte el electrodoméstico de la red eléctrica antes de realizar cualquier mantenimiento rutinario. Deje pasar al menos 5 minutos antes de reiniciar el electrodoméstico, ya que el arranque frecuente puede dañar el compresor.
- ▶ Cuando desenchufe el electrodoméstico, hágalo por la clavija, no por el cable.
- ▶ No limpie el electrodoméstico con cepillos duros, cepillos de alambre, detergente en polvo, gasolina, acetato de amilo, acetona ni soluciones orgánicas similares, soluciones ácidas o alcalinas. Limpie con un detergente especial para frigoríficos/congeladores para evitar daños. Por último, use una solución de agua tibia y bicarbonato (aproximadamente una cucharada de bicarbonato por litro/cuarto de litro de agua). Enjuague bien con agua y seque con un trapo. No utilice limpiadores en polvo u otros limpiadores abrasivos. No lave las piezas extraíbles en el lavavajillas.
- ▶ No raspe la escarcha y el hielo con objetos afilados. No utilice aerosoles, calentadores eléctricos como secadores de pelo, limpiadores a vapor u otras fuentes de calor para evitar dañar las piezas de plástico.
- ▶ No utilice dispositivos mecánicos ni otros equipos para acelerar el proceso de descongelación, salvo aquellos recomendados por el fabricante.
- ▶ Si el cable de alimentación está dañado, debe ser sustituido por el fabricante, por su servicio técnico o por cualquier profesional cualificado similar para evitar riesgos.
- ▶ No intente reparar, desmontar o modificar este electrodoméstico por su cuenta. En caso de reparación, póngase en contacto con nuestro servicio de atención al cliente.
- ▶ Si las luces están dañadas, deben ser sustituidas por el fabricante, por su servicio técnico o por cualquier profesional cualificado similar para evitar riesgos.
- ▶ Saque el polvo de la parte posterior de la unidad al menos una vez al año para evitar el riesgo de incendio, así como un mayor consumo de energía.
- ▶ No rocíe ni enjuague el electrodoméstico durante la limpieza.
- ▶ No use agua pulverizada o vapor para limpiar el electrodoméstico.
- ▶ No limpie los estantes de cristal o la puerta de cristal fríos con agua caliente; un cambio brusco de temperatura puede hacer que el vidrio se rompa.
- ▶ Si deja el electrodoméstico fuera de uso durante un periodo prolongado, déjelo abierto para evitar que se acumulen malos olores en el interior.



## Información sobre el gas refrigerante

### ¡ADVERTENCIA!

Este electrodoméstico contiene el refrigerante inflamable ISOBUTANO (R600a). Asegúrese de no dañar el circuito refrigerante durante el transporte o la instalación. La fuga de refrigerante puede causar lesiones oculares o incendios. Si se produce algún daño, manténgase alejado de llamas abiertas, ventile bien la habitación y no conecte o desconecte los cables de alimentación de este ni de cualquier otro electrodoméstico. Informe al servicio de atención al cliente.

En caso de que los ojos entren en contacto con el refrigerante, enjuáguelos inmediatamente con agua corriente y llame inmediatamente a un oftalmólogo.

El sistema de refrigeración está bajo alta presión. No lo fuerce. Dado que se utilizan refrigerantes inflamables, siga estrictamente las instrucciones de instalación, manipulación y mantenimiento del electrodoméstico y póngase en contacto con un técnico profesional o con nuestro servicio posventa para desecharlo.

Para los frigoríficos con función de agua helada, preste atención a la siguiente advertencia:

- En el caso de electrodomésticos no destinados a conectarse al suministro de agua: llenar únicamente con agua potable.
- En el caso de electrodomésticos destinados a conectarse al suministro de agua: conectar únicamente al suministro de agua potable.
- Si desea limpiar el sistema de agua, consulte el Manual de usuario. Si tiene alguna pregunta, póngase en contacto con el servicio posventa.

## Uso previsto

Este electrodoméstico está diseñado para enfriar y congelar alimentos. Ha sido diseñado exclusivamente para su uso en aplicaciones domésticas y similares, como áreas de cocina para personal de tiendas, oficinas y otros entornos de trabajo; granjas y el uso por clientes en hoteles, moteles y otros entornos de tipo residencial, así como en alojamientos y restauración. No está destinado a un uso comercial o industrial. No se permite realizar cambios o modificaciones en el electrodoméstico. Un uso no previsto puede causar riesgos y la pérdida de reclamaciones de garantía.

## Normas y directivas

Este producto cumple los requisitos de todas las directivas CE aplicables con las correspondientes normas acordadas y normas del RU que establecen el mercado CE y UKCA.

## Accesorios

Compruebe los accesorios y guías de acuerdo con esta lista:

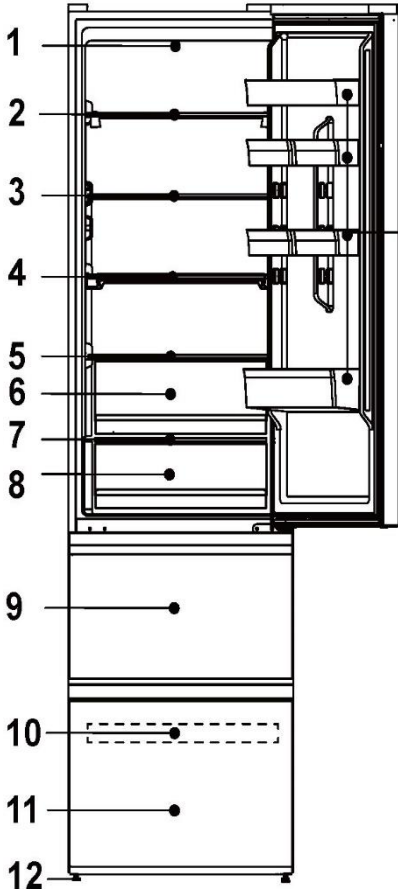


## AVISO

Debido a cambios técnicos y a las diferencias entre modelos, algunas de las ilustraciones de este manual pueden diferir de su modelo.

**i** AVISO

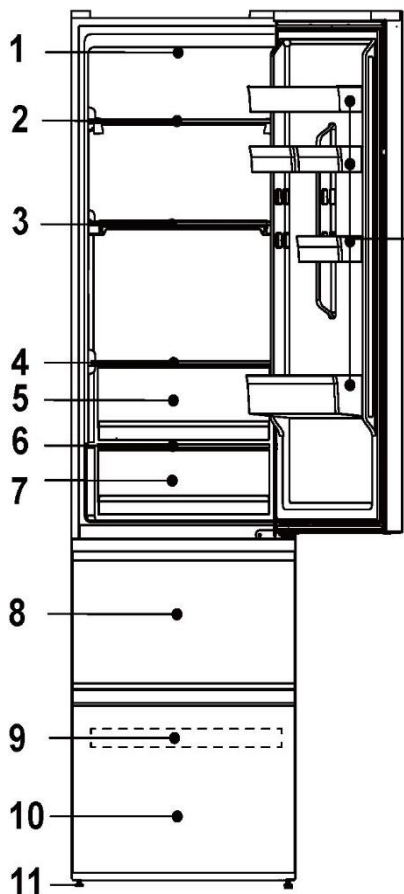
Debido a cambios técnicos y a las diferencias entre modelos, algunas de las ilustraciones de este manual pueden diferir del modelo. (HTW5620\*N\*)



- 1-Lámpara LED del frigorífico
- 2-Estante para el vino
- 3-Estante de cristal
- 4-Estante plegable
- 5-Cubierta de la caja de la Humidity Zone
- 6-Caja de la Humidity Zone
- 7-Cubierta de la caja de My Zone
- 8-Caja de My Zone
- 9-Cajón de almacenamiento superior del congelador
- 10-Bandeja del congelador
- 11-Cajón de almacenamiento inferior del congelador
- 12-Patas ajustables
- 13-Estante de la puerta

### **i** AVISO

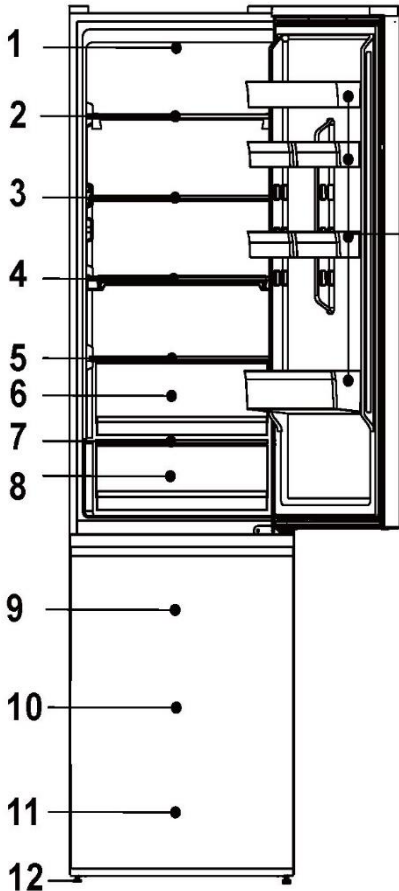
Debido a cambios técnicos y a las diferencias entre modelos, algunas de las ilustraciones de este manual pueden diferir del modelo. (HTW5618\*N\*)



- 1-Lámpara LED del frigorífico
- 2-Estante para el vino
- 3-Estante plegable
- 4-Cubierta de la caja de la Humidity Zone
- 5-Caja de la Humidity Zone
- 6-Cubierta de la caja de My Zone
- 7-Caja de My Zone
- 8-Cajón de almacenamiento superior del congelador
- 9-Bandeja del congelador
- 10-Cajón de almacenamiento inferior del congelador
- 11-Patas ajustables
- 12-Estante de la puerta

**i** AVISO

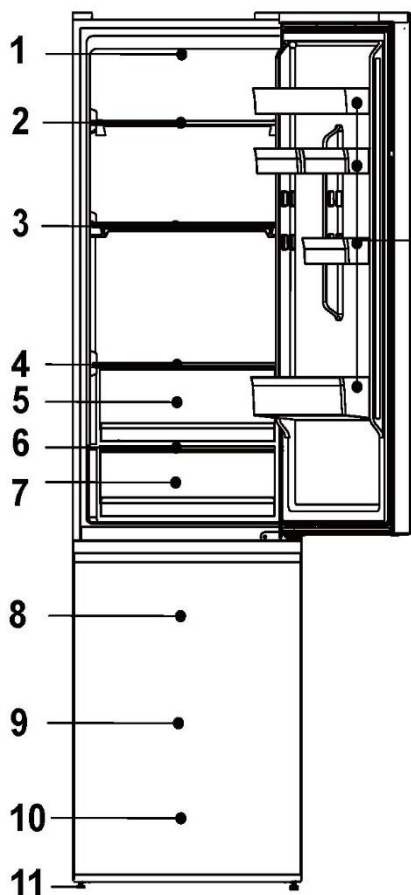
Debido a cambios técnicos y a las diferencias entre modelos, algunas de las ilustraciones de este manual pueden diferir del modelo. (HDPW5620\*N\*)



- 1-Lámpara LED del frigorífico
- 2-Estante para el vino
- 3-Estante de cristal
- 4-Estante plegable
- 5-Cubierta de la caja de la Humidity Zone
- 6-Caja de la Humidity Zone
- 7-Cubierta de la caja de My Zone
- 8-Caja de My Zone
- 9-Cajón de almacenamiento superior del congelador
- 10-Cajón de almacenamiento central del congelador
- 11-Cajón de almacenamiento inferior del congelador
- 12-Patas ajustables
- 13-Estante de la puerta

### **i** AVISO

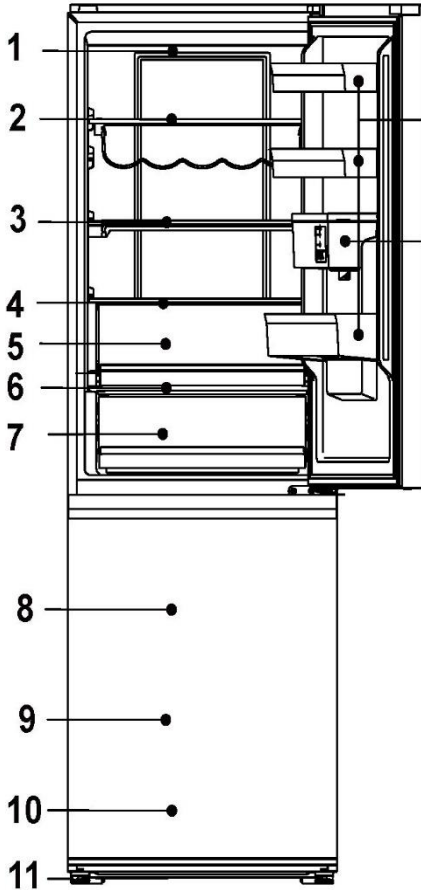
Debido a cambios técnicos y a las diferencias entre modelos, algunas de las ilustraciones de este manual pueden diferir del modelo. (HDPW5618\*N\*)



- 1-Lámpara LED del frigorífico
- 2-Estante para el vino
- 3-Estante plegable
- 4-Cubierta de la caja de la Humidity Zone
- 5-Caja de la Humidity Zone
- 6-Cubierta de la caja de My Zone
- 7-Caja de My Zone
- 8-Cajón de almacenamiento superior del congelador
- 9-Cajón de almacenamiento central del congelador
- 10-Cajón de almacenamiento inferior del congelador
- 11-Patas ajustables
- 12-Estante de la puerta

**i** AVISO

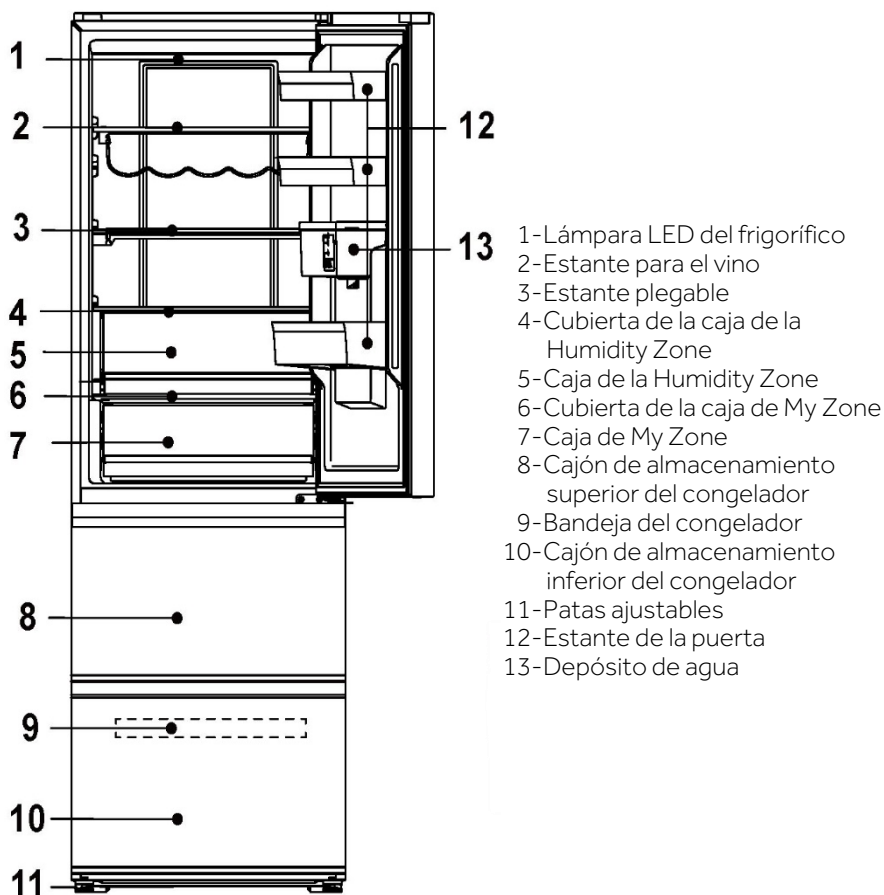
Debido a cambios técnicos y a las diferencias entre modelos, algunas de las ilustraciones de este manual pueden diferir del modelo. (HDPW5618DW\*)



- 1-Lámpara LED del frigorífico
- 2-Estante para el vino
- 3-Estante plegable
- 4-Cubierta de la caja de la Humidity Zone
- 5-Caja de la Humidity Zone
- 6-Cubierta de la caja de My Zone
- 7-Caja de My Zone
- 8-Cajón de almacenamiento superior del congelador
- 9-Cajón de almacenamiento central del congelador
- 10-Cajón de almacenamiento inferior del congelador
- 11-Patas ajustables
- 12-Estante de la puerta
- 13-Depósito de agua

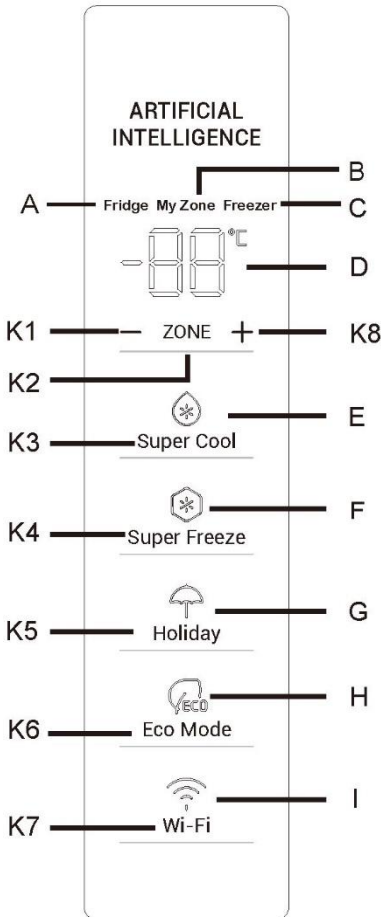
### **i** AVISO

Debido a cambios técnicos y a las diferencias entre modelos, algunas de las ilustraciones de este manual pueden diferir del modelo. (HTW5618DW\*)





## Panel de control



Botones:

- A Compartimento frigorífico
- B Compartimento My Zone
- C Compartimento congelador
- D Indicador de temperatura
- E Función Super Cool
- F Función Super Freeze
- G Función Holiday
- H Función Eco Mode
- I Función Wi-Fi

Indicadores:

- K1 Disminución de temperatura
- K2 Selección de frigorífico, My Zone y congelador
- K3 Encendido/apagado de la función Super Cool
- K4 Encendido/apagado de la función Super Freeze
- K5 Encendido/apagado de la función Holiday
- K6 Encendido/apagado de la función Eco Mode
- K7 Encendido/apagado de la función Wi-Fi
- K8 Aumento de temperatura

### Antes del primer uso

Retire todo el material de embalaje, manténgalo fuera del alcance de los niños y deséchelo de forma respetuosa con el medio ambiente.

Limpie el interior y el exterior del electrodoméstico, así como el interior y los accesorios con agua y un detergente suave, y séquelo bien con un paño suave.

Después de nivelar y limpiar el electrodoméstico, espere al menos 2 horas antes de conectarlo a la fuente de alimentación. Ver sección INSTALACIÓN.

Enfríe previamente los compartimentos a altas temperaturas antes de llenarlos de alimentos. La función Super Freeze ayuda a enfriar rápidamente el compartimento del congelador.

## Teclas táctiles

Los botones del panel de control son teclas táctiles, que se activan incluso cuando se rozan ligeramente con el dedo.

## Encender/apagar el electrodoméstico

El electrodoméstico se pondrá en marcha en cuanto se conecte a la fuente de alimentación.

Cuando el aparato se enciende por primera vez, los indicadores de temperatura "D" muestran los valores preestablecidos (consulte la Nota siguiente).

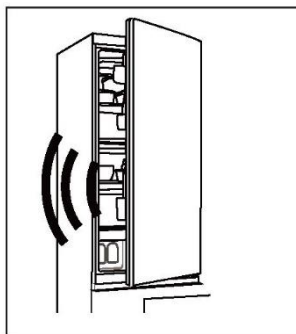
### AVISO

El electrodoméstico está preestablecido a la temperatura recomendada de 5 °C (frigorífico) y -18 °C (congelador). La temperatura de My Zone está preajustada a unos 2 °C. Estos son los ajustes recomendados. Si lo desea, puede cambiar estas temperaturas manualmente.

## Alarma de apertura de la puerta

Cuando la puerta del frigorífico esté abierta durante más de 3 minutos, la alarma de apertura de la puerta sonará.

La alarma puede ser silenciada cerrando la puerta. Si la puerta se deja abierta durante más de 7 minutos, la luz del frigorífico y la iluminación del panel de control se apagarán automáticamente.



### Ajuste de la temperatura

Las temperaturas interiores están influenciadas por los siguientes factores:

Temperatura ambiente

Frecuencia de apertura de la puerta

Cantidad de alimentos almacenados

Instalación del electrodoméstico

## Ajustar la temperatura del frigorífico

1. Pulse la tecla "K2" (Selección de frigorífico/(My Zone)/congelador) para seleccionar el compartimento frigorífico. El icono "A" (Compartimento frigorífico) y "D" (Indicador de temperatura) se iluminan.
2. Pulse la tecla "K1/K8" para ajustar la temperatura del frigorífico.

La temperatura aumenta en secuencias de 1 °C, desde un mínimo de 2 °C hasta un máximo de 8 °C. La temperatura óptima del frigorífico es de 5 °C. Las temperaturas más frías suponen un consumo innecesario de energía.

3. Después de aproximadamente 5 segundos, el icono de temperatura "D" (indicador de temperatura) se iluminará de forma permanente y se confirmará la configuración.

ES

### AVISO

Desde la aplicación es posible personalizar la temperatura tanto del frigorífico como del congelador. La temperatura se puede ajustar con una sensibilidad de 1 °C.

## Ajustar la temperatura del congelador

1. Pulse la tecla "K2" (Selección de frigorífico/(My Zone)/congelador) para seleccionar el compartimento congelador, el icono "C" (Compartimento congelador) y "D" (Indicador de temperatura) se iluminan.
2. Pulse la tecla "K1/K8" para ajustar la temperatura del congelador.

La temperatura aumenta en secuencias de 1 °C, desde un mínimo de -24 °C hasta un máximo de -16 °C. La temperatura óptima en el frigorífico es de -18 °C. Temperaturas más frías implican un consumo innecesario de energía.

3. Después de aproximadamente 5 segundos, el indicador de temperatura "D" (indicador de temperatura) se iluminará de forma permanente y se confirmará la configuración.

### AVISO

Después de ajustar la temperatura, si se pulsan otras teclas en 5 segundos, el ajuste de temperatura actual se confirmará inmediatamente. Si no se toca ninguna tecla en el plazo de 5 segundos, el ajuste de temperatura actual se visualizará hasta que la pantalla se apague.

## Ajustar la temperatura de My Zone

El compartimento frigorífico está equipado con una caja My Zone. De acuerdo con las necesidades de almacenamiento de los alimentos, se puede seleccionar la temperatura más adecuada para obtener el valor nutricional óptimo de los alimentos.

1. Pulse la tecla "K2" (Selección de frigorífico/(My Zone)/congelador) para seleccionar el compartimento My Zone. El icono "B" (Compartimento My Zone) y "D" (Indicador de temperatura) se iluminan. También se puede seleccionar desde la app.
2. Pulse la tecla "K1/K8" para ajustar la temperatura de My Zone. La temperatura también se puede ajustar desde la app.

La temperatura aumenta en secuencias de 1 °C, desde un mínimo de 0 °C hasta un máximo de 5 °C.

3. Después de aproximadamente 5 segundos, el icono de temperatura "D" (indicador de temperatura) se iluminará de forma permanente y se confirmará la configuración.

### AVISO

1. Puede ajustar la temperatura del compartimento My Zone en el nivel medio (2 °C) con el fin de conservar sus alimentos en el entorno de almacenamiento óptimo.
2. Debido a los diferentes contenidos de agua de la carne, algunas carnes con más humedad se congelan a temperaturas inferiores a 0 °C. Por lo tanto, la carne acabada de cortar debe almacenarse en la caja My Zone con temperaturas mínimas de 0 °C.
3. Las frutas sensibles al frío como la piña, el aguacate, los plátanos o los pomelos, y las verduras como las patatas, las berenjenas, las judías, los pepinos, los calabacines o los tomates, así como el queso, no deben guardarse en la caja My Zone.
4. Si la temperatura del frigorífico es inferior a la temperatura de My Zone, es normal que la temperatura de My Zone sea inferior a la temperatura de ajuste de My Zone.

## Función Super-Cool

1. Se recomienda activar la función Super Cool si se debe guardar una gran cantidad de alimentos (por ejemplo, después de la compra). La función Super Cool acelera el enfriamiento de los alimentos frescos y protege la comida almacenada de un calentamiento indeseado.
2. Pulse la tecla "K3" o enciéndala desde la aplicación, el icono "E" (Función Super Cool) se ilumina y la función está activada.

## AVISO

1. El aparato sale de la "Función Super Cool" después de estar en la "Función Super Cool" durante 6 horas o de pulsar la tecla "K3" cuando el icono "E" (Función Super Cool) está iluminado o se apaga desde la aplicación.
2. En el estado Super Cool, si se ajusta la temperatura del compartimento frigorífico, el icono "E" (Función Super Cool) parpadea para indicar que esta operación no se puede realizar.

## Función Super-Frz

1. Los alimentos frescos deben congelarse lo antes posible hasta su núcleo. Esto permite conservar su mejor valor nutricional, aspecto y sabor. La función Super Freeze acelera el enfriamiento de los alimentos frescos y protege la comida almacenada de un calentamiento indeseado. Si necesita congelar una gran cantidad de alimentos a la vez, se recomienda configurar la función Super Freeze durante 24 horas antes del uso del congelador.
2. Pulse la tecla "K4" (Ajuste de la función Super Freeze) o enciéndala desde la aplicación, el icono "F" (Función Super Freeze) se ilumina y se activa la función.

## AVISO

1. El aparato sale de la "Función Super Freeze" después de estar en la "Función Super Freeze" durante 50 horas o de pulsar la tecla "K4" cuando el icono "F" (Función Super Freeze) está iluminado o se apaga desde la aplicación.
2. En el estado Super Freeze, si se ajusta la temperatura del compartimento congelador, el icono "F" (Función Super Freeze) parpadea para indicar que esta operación no se puede realizar.

## Función Holiday

La función Holiday puede utilizarse para reducir el consumo de energía del electrodoméstico, si éste no se utiliza con regularidad. Cuando la función está activada, el frigorífico está encendido, mientras que el congelador seguirá funcionando con normalidad. Esta función ajusta la temperatura del frigorífico de forma permanente a 17 °C.

Esto permite mantener la puerta del frigorífico vacía cerrada sin que se formen olores o moho durante una larga ausencia (p.ej. durante las vacaciones).

El compartimento congelador puede configurarse libremente.

1. Pulse la tecla "K5" (Encendido/apagado de la función Holiday) o seleccione la función desde la aplicación, el icono "G" (Función Holiday) se ilumina y se activa la función.
2. La función se puede desactivar pulsando la tecla "K5" (Encendido/apagado de la función Holiday), o bien ajustando la temperatura del frigorífico o realizando cualquier otro ajuste o desactivándola desde la app.

## AVISO

1. Durante la función Holiday, no se deben guardar alimentos en el compartimento frigorífico. La temperatura de +17 °C es demasiado alta para almacenar alimentos.
2. Cuando la función Holiday está encendida, el icono de My Zone se mantiene apagado y la función Frigorífico está bloqueada. Si se ajusta la temperatura del compartimento frigorífico, el icono "G" (Función Holiday) parpadea para indicar que esta operación no se puede realizar.

## Función Eco Mode

Eco Mode puede activarse para optimizar el rendimiento del aparato, obteniendo al mismo tiempo la mejor conservación de los alimentos. Si usted no tiene ningún requisito especial, le recomendamos que utilice la función Eco Mode.

En este modo la temperatura del frigorífico es de 5 °C, y la temperatura del congelador es de -18 °C.




1. Pulse la tecla "K6" (Encendido/apagado de la función Eco Mode) o seleccione la función desde la aplicación.
2. El icono "H" (Función Eco Mode) se ilumina y se activa la función.

Repitiendo los pasos anteriores, seleccionando otra función o apagándola desde la app es posible volver a desactivar esta función. Los niveles de refrigeración previamente establecidos se restauran.

## AVISO

Durante la función Eco Mode, si se ajusta la temperatura del compartimento frigorífico/congelador, el icono "H" (función Eco Mode) parpadea para indicar que no se puede realizar esta operación.

Paso 1 Descargue la aplicación hOn de la tienda de aplicaciones.

|                                                                                                                                                                                                                                                                                                                                         |                                                                                                                                                                |
|-----------------------------------------------------------------------------------------------------------------------------------------------------------------------------------------------------------------------------------------------------------------------------------------------------------------------------------------|----------------------------------------------------------------------------------------------------------------------------------------------------------------|
|     |                                                                                                                                                                |
| <p>Paso 2 Cree su cuenta en la aplicación hOn o inicie sesión si ya tiene una.</p>                                                                                                                                                                     | <p>Paso 3 Siga las instrucciones de emparejamiento en la aplicación hOn.</p>  |

ES

### Función Wi-Fi

1. Siga las instrucciones de la aplicación para configurar el Wi-Fi.
2. Una vez que se ha configurado el Wi-Fi y se ha establecido la conexión, el icono de Wi-Fi "I" se ilumina de forma fija.
3. Si el Wi-Fi ya ha sido configurado, se reconectará automáticamente de acuerdo con la información de configuración si se enciende el Wi-Fi.

### AVISO

1. Para apagar el Wi-Fi, pulse la tecla de Wi-Fi "K7" y el icono de Wi-Fi "I" se apagará.
2. Para encender el Wi-Fi e iniciar la configuración, pulse la tecla de Wi-Fi "K7" y el icono de Wi-Fi "I" empezará a parpadear lentamente. Si desea configurar la función Wi-Fi, pulse la tecla "K7" durante 3 segundos, el icono de Wi-Fi parpadea rápidamente y se accede al modo de configuración. Si desea desactivar la función Wi-Fi, pulse la tecla "K7" una vez. Se repiten los pasos anteriores.
3. Si el producto se ha configurado y se apaga la función Wi-Fi, el frigorífico no entrará en el modo de configuración una vez que se vuelva a conectar a la alimentación.

### AVISO

1. Este producto no está destinado a un uso comercial.
2. Potencia máxima de salida de RF: Wi-Fi de 2,4 GHz: 16 dBm.
3. Bluetooth LE: 5 dBm; Bluetooth (BR/EDR): 10 dBm.
4. Banda de frecuencia de funcionamiento: 2400-2483,5 MHz.

## Almacenar en el compartimento frigorífico

Mantenga la temperatura de su frigorífico por debajo de los 5° C.

Los alimentos calientes deben haberse enfriado a temperatura ambiente antes de ser almacenados en el electrodoméstico.

Los alimentos almacenados en el frigorífico deben lavarse y secarse antes de almacenarse.

Los alimentos a almacenar deben estar debidamente sellados para evitar olores o alteraciones del sabor.

No almacene cantidades excesivas de comida. Deje espacio entre los alimentos para permitir que el aire frío fluya alrededor de ellos y lograr una refrigeración mejor y más homogénea.

Los alimentos consumidos diariamente deben almacenarse en la parte frontal del estante.

Deje espacio entre los alimentos y las paredes interiores, permitiendo que el aire fluya. De cualquier modo, se recomienda que los alimentos no toquen la pared trasera: los alimentos podrían congelarse contra la pared trasera. Evite el contacto directo de los alimentos (especialmente alimentos aceitosos o ácidos) con el revestimiento interno, ya que el aceite/ácido puede erosionarlo. Limpie los restos de aceite/ácido cuando los encuentre.

Los alimentos congelados se pueden descongelar suavemente en el compartimento frigorífico. Esto ahorra energía.

El proceso de envejecimiento de frutas y hortalizas como calabacines, melones, papaya, plátanos, piñas, etc. puede acelerarse en el frigorífico. Por lo tanto, no se recomienda guardarlas en el frigorífico. Sin embargo, se puede favorecer la maduración de las frutas muy verdes durante un cierto tiempo. Las cebollas, el ajo, el jengibre y otras raíces también deben almacenarse a temperatura ambiente.

Los malos olores en el interior del frigorífico son un signo de que algo se ha derramado y se requiere limpieza. Vea Cuidado y limpieza.

Los diferentes alimentos deben colocarse en diferentes áreas según sus propiedades.

## Conservación en el compartimento congelador

Mantenga la temperatura del congelador a -18 °C.

24 horas antes de la congelación, encienda la función Super-Freeze. Para pequeñas cantidades de alimentos, 4-6 horas son suficientes.

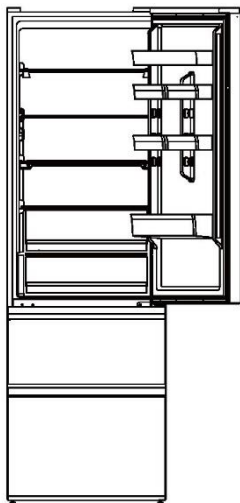
Los alimentos calientes deben haberse enfriado a temperatura ambiente antes de ser almacenados en el congelador.

Los alimentos cortados en porciones pequeñas se congelarán más rápido y serán más fáciles de descongelar y cocinar. El peso recomendado para cada porción es de menos de 2,5 kg.



Es mejor envasar los alimentos antes de meterlos en el congelador. El exterior del envase debe estar seco para evitar que las bolsas se peguen. Los materiales de embalaje deben estar libres de olores y ser herméticos y atóxicos.

Para evitar la expiración de los periodos de conservación, anote la fecha de congelación, el límite de tiempo y el nombre de los alimentos en el envase según los periodos de conservación de los diferentes alimentos.



## ¡ADVERTENCIA!

- ▶ El ácido, la alcalinidad y la sal, etc. podrían erosionar la superficie interna del congelador.
- ▶ No coloque los alimentos que contengan estas sustancias (p.ej.: pescados marinos) directamente sobre la superficie interna. El agua salada en el congelador debe limpiarse inmediatamente.
- ▶ No supere el tiempo de almacenamiento recomendado por los fabricantes. Saque solo la cantidad necesaria de alimentos del congelador.
- ▶ Consuma rápidamente los alimentos descongelados. Los alimentos descongelados no pueden volver a congelarse a menos que se cuezan antes; de lo contrario, pueden no ser comestibles.
- ▶ No cargue cantidades excesivas de alimentos frescos en el congelador. Consulte la capacidad de congelación del congelador (Vea los DATOS TÉCNICOS o los datos de la placa).
- ▶ Los alimentos pueden almacenarse en el congelador a una temperatura mínima de  $-18^{\circ}\text{C}$  de 2 a 12 meses, dependiendo de sus propiedades (p. ej. carne: 3-12 meses, verduras: 6-12 meses)
- ▶ Cuando congele alimentos frescos, evite ponerlos en contacto con alimentos ya congelados. ¡Riesgo de descongelación!

**Cuando guarde alimentos congelados en tienda, siga estas directrices:**

Siempre siga las directrices de los fabricantes sobre el tiempo que debe almacenar los alimentos. ¡No exceda estas directrices!

Trate de que el tiempo que pasa entre la compra y el almacenamiento sea el menor posible para preservar la calidad de los alimentos.

Compre alimentos congelados que se hayan conservado a una temperatura de  $-18\text{ }^{\circ}\text{C}$  o menos.

Evite comprar alimentos que tengan hielo o escarcha en el envase: esto indica que los productos podrían haber sido parcialmente descongelados y recongelados en algún punto (el aumento de la temperatura afecta a la calidad de los alimentos).

**Dispensador de agua**

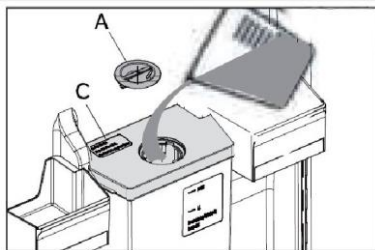
Con el dispensador de agua es posible beber agua potable fresca.

El depósito de agua debe limpiarse antes del primer uso (véase CUIDADO Y LIMPIEZA).

**Llenar el depósito de agua****⚠ ¡ADVERTENCIA!**

► Utilice solo agua potable.

1. Asegúrese de que el depósito de agua está insertado correctamente (véase EQUIPAMIENTO).
2. Gire y levante la tapa redonda (A) y vierta agua potable fresca en el depósito de agua (Fig.5.10.1).
3. Llénelo solo hasta la marca (2,5 l), ya que de otro modo podría derramarse al abrir y cerrar la puerta.
4. Cierre la tapa redonda (A) hasta oír un chasquido.

**i AVISO**

1. El aparato sale de la "Función Super Cool" después de estar en la "Función Super Cool" durante 6 horas o de pulsar la tecla "K3" cuando el icono "E" (Función Super Cool) está iluminado o se apaga desde la aplicación.
2. En el estado Super Cool, si se ajusta la temperatura del compartimento frigorífico, el icono "E" (Función Super Cool) parpadea para indicar que esta operación no se puede realizar.

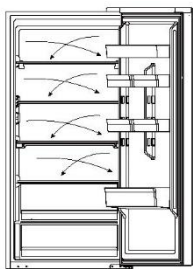


### Consejos de ahorro de energía:

- ▶ Asegúrese de que el electrodoméstico esté bien ventilado (vea INSTALACIÓN).
- ▶ No instale el electrodoméstico bajo la luz directa del sol o cerca de fuentes de calor (p. ej.: fogones, estufas...).
- ▶ Evite una temperatura innecesariamente baja en el electrodoméstico. El consumo de energía aumenta con la disminución de la temperatura de ajuste en el electrodoméstico.
- ▶ Las funciones como SUPER FREEZE consumen más energía.
- ▶ Deje enfriar los alimentos calientes antes de introducirlos en el electrodoméstico.
- ▶ Abra la puerta del electrodoméstico lo menos y lo más brevemente posible.
- ▶ No llene en exceso el electrodoméstico para evitar obstruir la circulación de aire.
- ▶ Evite la presencia de aire dentro del embalaje de los alimentos.
- ▶ Mantenga las juntas de la puerta limpias para que la puerta se cierre siempre correctamente.
- ▶ Descongele alimentos congelados en el compartimento de almacenamiento del frigorífico o utilice la función D-Frost en la caja My Zone.
- ▶ La configuración que ahorra más energía requiere que el cajón, las fiambreras y los estantes se coloquen en el electrodoméstico según el estado de fábrica, y que los alimentos se coloquen de modo que no bloqueen la salida de aire del conducto.

**i** **Aviso**

Debido a la existencia de diferentes modelos, es posible que su producto no tenga todas las características siguientes. Consulte el apartado Descripción del producto.!

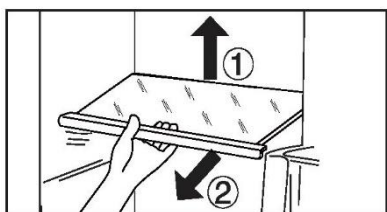


**Flujo de aire múltiple**

El frigorífico está equipado con un sistema de flujo de aire múltiple, con el que se aseguran corrientes de aire frío en cada nivel de estante. Esto ayuda a mantener una temperatura uniforme para asegurar que sus alimentos se mantienen frescos por más tiempo.

**Estantes ajustables**

1. La altura de los estantes se puede ajustar para adaptarse a sus necesidades de almacenamiento.
2. Para reubicar un estante, retírelo primero levantando su borde posterior ① y extráigalo ②.
3. Para volver a instalarlo, colóquelo en los rieles de ambos lados y empuje hasta que la parte trasera del estante se fije dentro de las ranuras laterales.



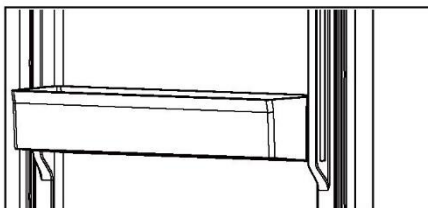
**i** **Aviso**

Asegúrese de que todos los extremos del estante estén nivelados.

**Estante de la puerta extraíble**

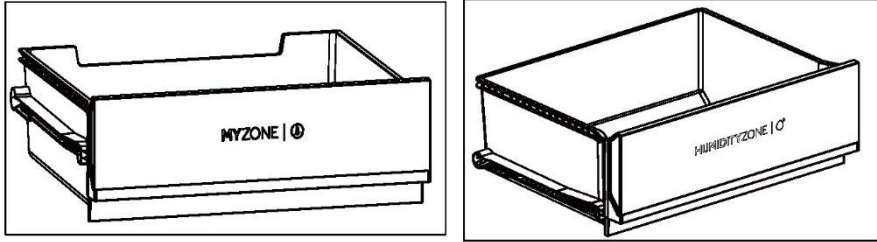
El estante de la puerta se puede retirar para su limpieza:

Coloque las manos en cada lado del estante, levántelo hacia arriba (1) y extráigalo (2). Para insertar el estante de la puerta, realice los pasos anteriores en orden inverso.



## Caja de My Zone

Para utilizar y configurar el compartimento My Zone, revise la sección USO (My Zone).



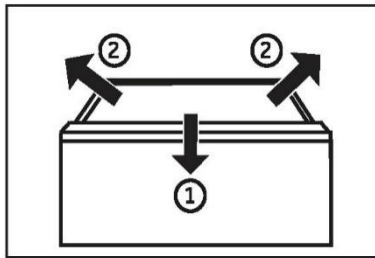
## Caja de la Humidity Zone

En este compartimento, el nivel de humedad está controlado automáticamente por el sistema y es adecuado para guardar fruta, verdura, ensaladas, etc.

## Cajón extraíble

Para sacar el cajón del compartimento frigorífico o congelador, tire al máximo (1), levante y retire (2).

Para insertar el cajón, realice los pasos anteriores en orden inverso.



## Cajón del congelador

El cajón del congelador se puede extender de forma recta y completa. Están montados en un riel telescópico de fácil desplazamiento. Así puede almacenar y extraer los alimentos congelados cómodamente. Gracias al mecanismo automático de cierre de la puerta, el manejo es fácil y puede ahorrar energía.

**¡ADVERTENCIA!**

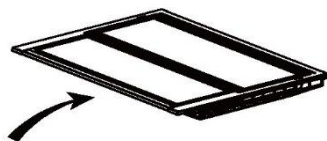
No sobrecargue los cajones: Carga máxima de cada cajón: ¡35 kg!

**Luz**

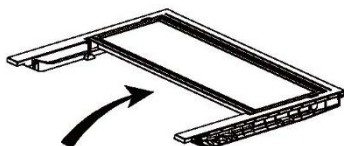
La luz interior LED se enciende al abrir la puerta. El rendimiento de las luces no se ve afectado por ninguna de las otras configuraciones del electrodoméstico.

**Estantes plegables**

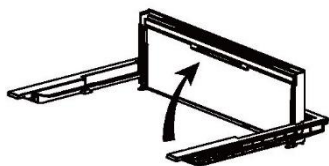
Los estantes plegables permitirán al usuario poner botellas o artículos altos en los estantes. Los estantes se pueden plegar en la parte posterior, y así el espacio disponible del estante inferior será más grande. El estante se puede plegar según los pasos 1-3. Si desea volver al diseño original, invierta los siguientes procedimientos.



Paso 1: Empuje lentamente la parte frontal del estante hasta el final.



Paso 2: Empuje el estante hacia arriba lentamente hasta ponerlo en vertical.



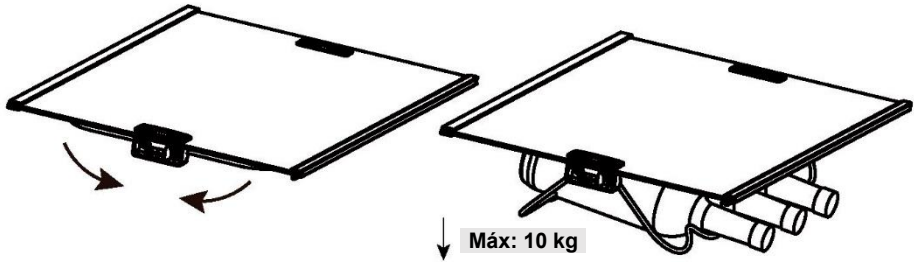
Paso 3: El estante queda vertical. Ahorrará espacio.

## Botellero plegable

Para el uso normal

1. Tire hacia abajo los soportes del botellero.
2. Coloque las botellas en el botellero.

Cuando no se utiliza, el botellero se puede plegar para ahorrar espacio.



ES

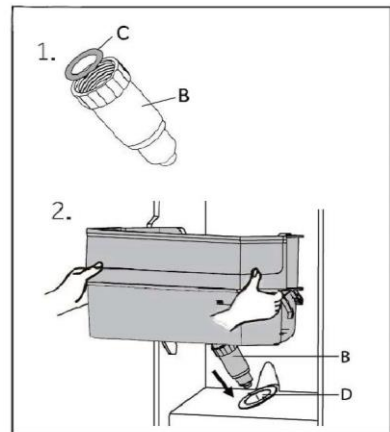
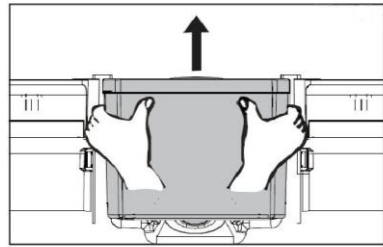
## Depósito de agua

### Retirar el depósito de agua

El depósito de agua puede extraerse y reinstalarse para su limpieza de la misma manera que los estantes de la puerta.

### Introducir el depósito de agua

1. Asegúrese de que la boquilla del dispensador (B) esté firmemente atornillada al depósito de agua y la junta tórica blanca (C) está en su sitio.
2. Coloque el depósito de agua de modo que la boquilla del dispensador (B) encaje con la apertura de la puerta (D).



### Aviso

- ▶ Asegúrese de que la boquilla esté firmemente atornillada al depósito de agua y la junta tórica blanca (C) está en su sitio.
- ▶ Si el depósito de agua no se introduce correctamente, el agua puede gotear.
- ▶ No utilice una fuerza excesiva al extraer o instalar el depósito de agua para evitar dañarlo.

### ¡ADVERTENCIA!

Desconecte el electrodoméstico de la fuente de alimentación antes de limpiarlo.

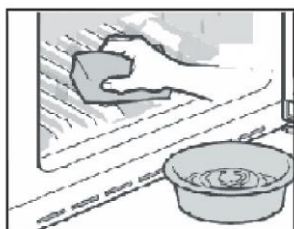
### Limpieza

Limpie el electrodoméstico solo cuando haya pocos o ningún alimento guardado.

Este electrodoméstico debe limpiarse cada cuatro semanas para realizar un buen mantenimiento y evitar malos olores.

### ¡ADVERTENCIA!

- ▶ No limpie el electrodoméstico con cepillos duros, cepillos de alambre, detergente en polvo, gasolina, acetato de amilo, acetona ni soluciones orgánicas similares, soluciones ácidas o alcalinas. Limpie con un detergente especial para frigoríficos para evitar daños.
- ▶ No rocíe ni enjuague el electrodoméstico durante la limpieza.
- ▶ No use agua pulverizada o vapor para limpiar el electrodoméstico.
- ▶ No limpie los estantes de cristal fríos con agua caliente. Un cambio repentino de temperatura puede causar que el cristal se rompa.
- ▶ No toque la superficie interior del compartimento del electrodoméstico, especialmente con las manos mojadas, ya que las manos pueden congelarse en la superficie.
- ▶ En caso de calentamiento, compruebe el estado de los productos congelados.



- ▶ Mantenga siempre limpia la junta de la puerta.
- ▶ Limpie el interior y el armazón del electrodoméstico con una esponja humedecida en agua tibia y detergente neutro.
- ▶ 1. Frote el interior y el exterior del frigorífico, incluyendo la junta de la puerta, los estantes de la puerta, los estantes de cristal, los cajones, etc., con una toalla suave o una esponja sumergida en agua caliente (se puede añadir detergente neutro).
- ▶ 2. Si hay líquido derramado, retire todas las piezas contaminadas, enjuague directamente con agua corriente, seque y coloque las piezas de nuevo en el frigorífico.
- ▶ 3. Si hay productos cremosos derramados (como nata, helado derretido...), retire todas las piezas contaminadas, póngalas en agua caliente a unos 40 °C durante un rato, enjuague con agua corriente, séquelas y colóquelas de nuevo en el frigorífico.
- ▶ 4. En caso de que alguna parte o componente pequeño quede atascada dentro del frigorífico (entre las estanterías o los cajones), utilice un cepillo suave pequeño para sacarlo. Si no la alcanza, póngase en contacto con el servicio de Haier.
- ▶ Aclare y seque con un paño suave.



- ▶ No limpie ninguna de las piezas o partes de este electrodoméstico en un lavavajillas.
- ▶ Deje pasar al menos 5 minutos antes de reiniciar el electrodoméstico, ya que el arranque frecuente puede dañar el compresor.

Descongelación

La descongelación de los compartimentos frigorífico y congelador se realiza automáticamente: no se requiere ninguna operación manual.

Sustitución de las lámparas LED



**¡ADVERTENCIA!**

No sustituya usted mismo la lámpara LED, solo debe cambiarla el fabricante o un técnico autorizado.

ES

Las lámparas utilizan LED como fuente de luz, con bajo consumo energético y larga vida útil. Si detecta alguna anomalía, póngase en contacto con el servicio de atención al cliente. Vea ATENCIÓN AL CLIENTE.

Parámetros de las lámparas:

| Parte                   | Lámpara LED |
|-------------------------|-------------|
| Tensión en V            | 12V         |
| Potencia máxima en W    | 1,5 W       |
| Especificaciones LED    | Blanco-2835 |
| Clase de eficiencia LED | G           |
| Temperatura de uso      | -40-80 °C   |

**Si no se utiliza durante un período más largo**

Si el aparato no se utiliza durante un periodo de tiempo prolongado, y no va a utilizar la función Holiday para el frigorífico:

Saque la comida.

Desenchufe el cable de la toma de corriente.

Limpie el electrodoméstico como se ha descrito anteriormente.

Mantenga las puertas abiertas para evitar que se generen malos olores en el interior.



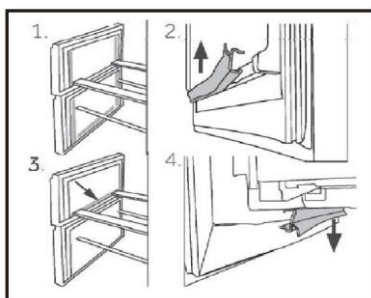
**Aviso**

Apague el electrodoméstico solo si es estrictamente necesario.

### Juntas de puerta auxiliares desmontables

Hay seis juntas de puerta auxiliares en los cajones superior e inferior del congelador.

1. Localice las cinco juntas de puerta indicadas en los cajones superior e inferior del congelador.
2. Asegúrese de que las partes dobladas de las juntas apunten hacia adentro mientras las coloca.
3. Coloque la junta inferior del cajón superior como se indica.
4. Asegúrese de que la parte doblada de esta junta apunta hacia abajo mientras la fija. Obtendrá estas juntas, así como las juntas de la puerta giratoria/cajón a través del servicio de atención al cliente (consulte la tarjeta de garantía).



### Desplazar el electrodoméstico

1. Retire toda la comida y desenchufe el electrodoméstico.
2. Fije los estantes y otras partes móviles en el frigorífico y el congelador con cinta adhesiva.
3. No incline el frigorífico más de 45° para evitar dañar el sistema de refrigeración.

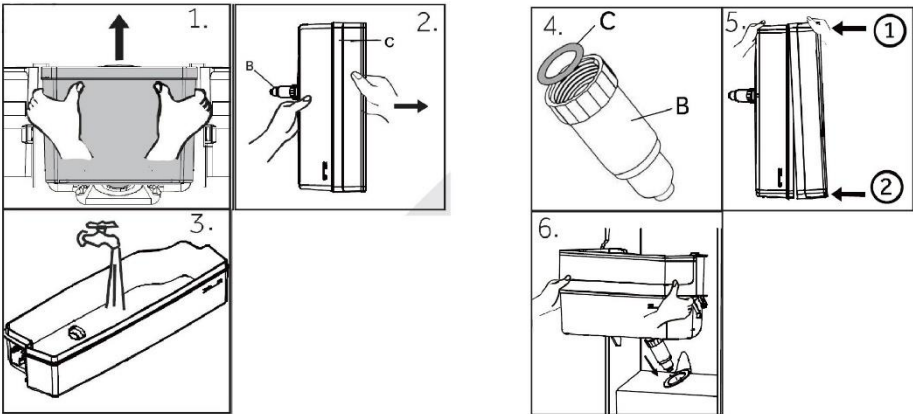


### ¡ADVERTENCIA!

- ▶ No levante el electrodoméstico por las asas.
- ▶ No coloque el electrodoméstico horizontalmente sobre el suelo.

## Limpieza del depósito de agua

1. Extraiga el depósito de agua del electrodoméstico.
2. Retire la tapa (C) y desenrosque suavemente la boquilla del dispensador (B).
3. Limpie el depósito de agua y la boquilla del dispensador con agua corriente templada y detergente lavavajillas líquido. Asegúrese de enjuagar bien todo el jabón.
4. Monte la boquilla del dispensador (B) y asegúrese de que esté firmemente atornillada al depósito de agua y que la junta tórica blanca (C) esté en su sitio.
5. Presione la tapa para combinarla con un lado del depósito de agua y luego con el otro lado; compruebe que el depósito de agua y la tapa estén completamente ensamblados.
6. Vuelva a colocar el depósito en el interior del aparato. Asegúrese de que la boquilla del dispensador esté correctamente insertada en el orificio de la puerta.



### Aviso

- ▶ Si el depósito de agua no se introduce correctamente, el agua puede gotear.
- ▶ No utilice una fuerza excesiva al extraer o instalar el depósito de agua para evitar dañarlo.

Usted mismo puede resolver muchos de los problemas que puedan presentarse sin tener conocimientos específicos. En caso de que se produzca algún problema, compruebe todas las posibilidades ilustradas y siga las instrucciones pertinentes antes de ponerse en contacto con un servicio posventa. Vea **ATENCIÓN AL CLIENTE**.



### ¡ADVERTENCIA!

- ▶ Antes de realizar tareas de mantenimiento, desactive el electrodoméstico y desconecte el enchufe de la toma de corriente.
- ▶ Los equipos eléctricos solo deben ser revisados y manejados por electricistas expertos cualificados, ya que las reparaciones incorrectas pueden causar daños considerables en consecuencia.
- ▶ Si el sistema de alimentación está dañado, debe ser sustituido por el fabricante, por su servicio técnico o por cualquier profesional cualificado similar para evitar riesgos.

### Tabla para la resolución de problemas

| Problema                                                                                             | Causa posible                                                                  | Solución posible                                                                                                                                                                      |
|------------------------------------------------------------------------------------------------------|--------------------------------------------------------------------------------|---------------------------------------------------------------------------------------------------------------------------------------------------------------------------------------|
| El compresor no funciona.                                                                            | El enchufe no está conectado a la toma de corriente.                           | Conecte el enchufe.                                                                                                                                                                   |
|                                                                                                      | El electrodoméstico está en el ciclo de descongelación.                        | Esto es normal para una descongelación automática.                                                                                                                                    |
| El electrodoméstico funciona con frecuencia o funciona durante un período de tiempo demasiado largo. | La temperatura interior o exterior es demasiado alta.                          | En este caso, es normal que el electrodoméstico funcione más tiempo.                                                                                                                  |
|                                                                                                      | El electrodoméstico ha estado apagado durante cierto de tiempo.                | Normalmente, lleva de 8 a 12 horas que el electrodoméstico se enfríe completamente.                                                                                                   |
|                                                                                                      | Una puerta/cajón del electrodoméstico no está bien cerrada.                    | Cierre la puerta/cajón y asegúrese de que el electrodoméstico esté ubicado sobre una superficie plana y que no haya alimentos o recipientes que impidan que la puerta se cierre bien. |
|                                                                                                      | La puerta/cajón se ha abierto con demasiada frecuencia o durante mucho tiempo. | No abra la puerta/cajón con demasiada frecuencia.                                                                                                                                     |
|                                                                                                      | El ajuste de temperatura del compartimento congelador es demasiado bajo.       | Ajuste una temperatura más alta hasta obtener una temperatura satisfactoria para el frigorífico. Se necesitan 24 horas para que la temperatura del frigorífico se mantenga estable.   |
|                                                                                                      | La junta de la puerta/cajón está sucia, desgastada, agrietada o desaparejada.  | Limpie la junta de la puerta/cajón o pídale al servicio de atención al cliente que la cambie.                                                                                         |
|                                                                                                      | La circulación de aire requerida no está garantizada.                          | Garantice una ventilación adecuada.                                                                                                                                                   |

| Problema                                                                        | Causa posible                                                                   | Solución posible                                                                                     |
|---------------------------------------------------------------------------------|---------------------------------------------------------------------------------|------------------------------------------------------------------------------------------------------|
| El interior del frigorífico está sucio y/o huele mal.                           | El interior del frigorífico necesita limpieza.                                  | Limpie el interior del frigorífico.                                                                  |
|                                                                                 | Hay alimentos de olor fuerte guardados en el frigorífico.                       | Envuelva bien los alimentos.                                                                         |
| La temperatura del interior del electrodoméstico no es lo suficientemente fría. | La temperatura establecida es demasiado alta.                                   | Restablezca la temperatura.                                                                          |
|                                                                                 | Se han almacenado alimentos demasiado calientes.                                | Enfríe siempre los alimentos antes de guardarlos.                                                    |
|                                                                                 | Se ha almacenado demasiada comida a la vez.                                     | Guarde siempre pequeñas cantidades de alimentos.                                                     |
|                                                                                 | Los alimentos están demasiado cerca entre sí.                                   | Deje un espacio entre varios alimentos para permitir que el aire fluya.                              |
|                                                                                 | Una puerta/cajón del electrodoméstico no está bien cerrada.                     | Cierre la puerta/cajón.                                                                              |
|                                                                                 | La puerta/cajón se ha abierto con demasiada frecuencia o durante mucho tiempo.  | No abra la puerta/cajón con demasiada frecuencia.                                                    |
| La temperatura del interior del electrodoméstico es demasiado fría.             | La temperatura establecida es demasiado baja.                                   | Restablezca la temperatura.                                                                          |
|                                                                                 | La función Super Freeze está activada o ha estado funcionando demasiado tiempo. | Desactive la función Super Freeze.                                                                   |
| Formación de humedad en el interior del compartimento frigorífico.              | El ambiente es demasiado cálido y demasiado húmedo.                             | Aumente la temperatura.                                                                              |
|                                                                                 | Una puerta/cajón del electrodoméstico no está bien cerrada.                     | Cierre la puerta/cajón.                                                                              |
|                                                                                 | La puerta/cajón se ha abierto con demasiada frecuencia o durante mucho tiempo.  | No abra la puerta/cajón con demasiada frecuencia.                                                    |
|                                                                                 | Hay recipientes de alimentos o líquidos abiertos.                               | Deje que los alimentos calientes se enfríen a temperatura ambiente y cubra los alimentos y líquidos. |
| Se acumula humedad fuera de la superficie o entre las puertas/puerta y cajón.   | El ambiente es demasiado cálido y demasiado húmedo.                             | Esto es normal en un ambiente húmedo y cambiará cuando la humedad disminuya.                         |
|                                                                                 | La puerta/cajón no está bien cerrada.                                           | Asegúrese de que la puerta/cajón está bien cerrada.                                                  |

## Solución de problemas

| Problema                                                        | Causa posible                                                                  | Solución posible                                                                                                          |
|-----------------------------------------------------------------|--------------------------------------------------------------------------------|---------------------------------------------------------------------------------------------------------------------------|
| Hay mucho hielo escarcha en el compartimento congelador.        | Los alimentos no están correctamente embalados.                                | Embale bien los alimentos siempre.                                                                                        |
|                                                                 | Una puerta/cajón del electrodoméstico no está bien cerrada.                    | Cierre la puerta/cajón.                                                                                                   |
|                                                                 | La puerta/cajón se ha abierto con demasiada frecuencia o durante mucho tiempo. | No abra la puerta/cajón con demasiada frecuencia.                                                                         |
|                                                                 | La junta de la puerta/cajón está sucia, desgastada, agrietada o desaparejada.  | Limpié la junta de la puerta/cajón o cámbiela por una nueva.                                                              |
|                                                                 | Algo en el interior impide que la puerta/cajón se cierren correctamente.       | Vuelva a colocar los estantes, estantes de la puerta o contenedores internos para permitir que la puerta/cajón se cierre. |
| El electrodoméstico hace sonidos anormales.                     | El electrodoméstico no está ubicado sobre una superficie plana.                | Ajuste las patas para nivelar el electrodoméstico.                                                                        |
|                                                                 | El electrodoméstico toca algún objeto a su alrededor.                          | Retire los objetos que haya alrededor del electrodoméstico.                                                               |
| Se oye un ligero sonido similar al del flujo de agua.           | Esto es normal.                                                                | /                                                                                                                         |
| Oír un pitido de alarma.                                        | La puerta del compartimento frigorífico está abierta.                          | Cierre la puerta o silencie la alarma manualmente.                                                                        |
| Oír un débil zumbido.                                           | El sistema anticondensación está en marcha.                                    | Esto evita la condensación y es normal.                                                                                   |
| El sistema de iluminación o refrigeración interior no funciona. | El enchufe no está conectado a la toma de corriente.                           | Conecte el enchufe.                                                                                                       |
|                                                                 | La fuente de alimentación presenta alguna alteración.                          | Compruebe el suministro eléctrico a la habitación. Llame a la compañía eléctrica local.                                   |
|                                                                 | La lámpara LED no funciona.                                                    | Llame al servicio técnico para cambiar la lámpara.                                                                        |
| Los lados del frigorífico y la tira de la puerta se calientan.  | Esto es normal.                                                                | /                                                                                                                         |
| No sale agua por la salida del dispensador de agua              | El bloqueo no está desactivado.                                                | Desactive el bloqueo.                                                                                                     |

### Interrupción del suministro

- ▶ En caso de un corte de luz, los alimentos deberían permanecer frescos y a salvo durante 13 horas. Siga estos consejos durante una interrupción prolongada del suministro, especialmente en verano.
- ▶ Abra la puerta/cajón lo menos posible.
- ▶ No introduzca más alimentos en el electrodoméstico durante un corte de luz.
- ▶ Si se da el aviso previo de un corte de luz y la duración de la interrupción es superior a 13 horas, fabrique algunos cubitos de hielo y póngalos en un recipiente en el estante superior del compartimento frigorífico.
- ▶ Inmediatamente después de la interrupción, es necesario llevar a cabo una inspección de los alimentos.
- ▶ Como la temperatura del frigorífico subirá durante una interrupción del suministro eléctrico u otro fallo, el período de conservación y la calidad comestible de los alimentos se reducirán. Cualquier alimento que se descongele debe consumirse, o bien cocinarse y volver a congelarse (cuando proceda) rápidamente para evitar riesgos para la salud.

ES



### Aviso

#### **Función de memoria durante el corte de luz**

En cuanto vuelva la luz, el electrodoméstico restablecerá los ajustes establecidos antes del corte de luz.

Para ponerse en contacto con el servicio de asistencia técnica, visite nuestro sitio web: <https://corporate.haier-europe.com/en/>

En la sección "website", elija la marca de su producto y su país. Se le redirigirá a la página web específica donde podrá encontrar el número de teléfono y otros modos de ponerse en contacto con el servicio de asistencia técnica.

## Desempaquetado

### ⚠ ¡ADVERTENCIA!

- ▶ Este es un electrodoméstico pesado. Manipúlelo con la ayuda de otra persona.
- ▶ Mantenga todo el material de embalaje fuera del alcance de los niños y deséchelo de forma respetuosa con el medio ambiente.
- ▶ Saque el electrodoméstico de su embalaje.
- ▶ Retire todos los materiales de embalaje.

## Condiciones ambientales

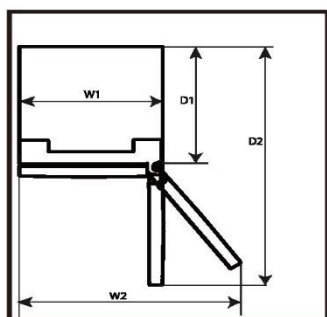
La temperatura ambiente debería encontrarse siempre entre 10 °C y 43 °C, ya que puede influir en la temperatura del interior del electrodoméstico y en su consumo energético. No instale el electrodoméstico cerca de otros electrodomésticos emisores de calor (hornos, neveras) sin aislamiento.

## Reversibilidad de la puerta

Antes de que el electrodoméstico esté instalado de forma permanente, compruebe la posición correcta de la bisagra de la puerta. Si es necesario, consulte la sección REVERSIBILIDAD DE LA PUERTA.

## Requisitos de espacio

Espacio requerido con la puerta abierta:

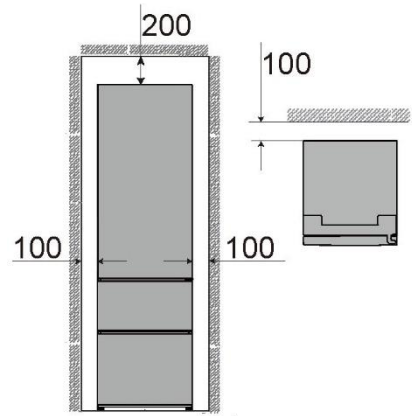


| Anchura del aparato en mm |     | Profundidad del aparato en mm |      |
|---------------------------|-----|-------------------------------|------|
| W1                        | W2  | D1                            | D2   |
| 595                       | 918 | 600                           | 1220 |



### Sección cruzada de ventilación

Para lograr una ventilación suficiente del electrodoméstico por razones de seguridad, debe observarse la información de las secciones cruzadas de ventilación requeridas.



### Reversibilidad de la puerta

Antes de conectar el electrodoméstico a la fuente de alimentación, debe comprobar si la apertura de la puerta debe cambiar de derecha (por defecto) a izquierda por la ubicación de instalación y la facilidad de uso.



### ¡ADVERTENCIA!

- ▶ Este es un electrodoméstico pesado. Se necesitan dos personas para cambiar la reversibilidad de la puerta.
- ▶ Antes de realizar cualquier operación, desenchufe el electrodoméstico de la red eléctrica.
- ▶ No incline el electrodoméstico más de 45° para evitar daños en el sistema de refrigeración.

### Pasos de montaje

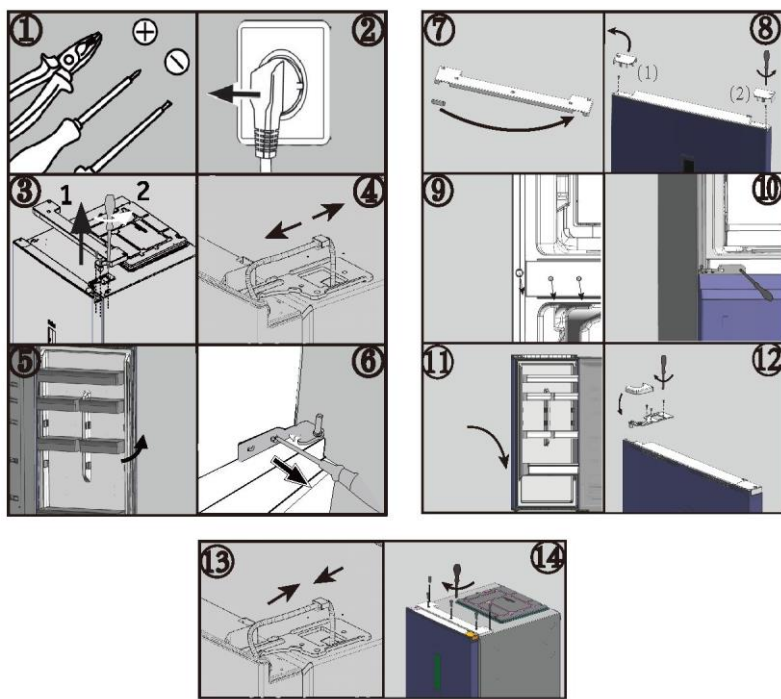
1. Consiga las herramientas necesarias.
2. Desenchufe el electrodoméstico.
3. Retire la tapa superior de la bisagra (1) y desenrosque la bisagra superior (tres tornillos) a la derecha (2).
4. Desenchufe el cable de conexión.
5. Retire cuidadosamente la puerta del frigorífico suelta de la bisagra inferior.
6. Retire la bisagra inferior de la puerta superior.
7. Retire la pequeña tapa del panel frontal de izquierda a derecha.
8. Dé la vuelta a la puerta y desenrosque la tapa (1). Saque la nueva tapa (2) de la bolsa necesaria y atorníllela al lado opuesto.
9. Cambie las posiciones de los tapones y el tornillo en el lateral.
10. Atornille la bisagra inferior al lado izquierdo del aparato.
11. Levante con cuidado la puerta superior sobre la bisagra inferior. Asegúrese de que el pivote encaja en el cuerpo de la bisagra de la puerta inferior.

12. Saque la nueva bisagra superior y la cubierta de la bisagra de la bolsa de accesorios. Pase el cable de conexión a través de la bisagra superior y fije la bisagra superior con los tres tornillos en el lado izquierdo del aparato. Ponga cubierta de la bisagra sobre la bisagra.

13. Conecte el cable de conexión.

14. Vuelva a colocar el panel frontal y fijelo con cinco tornillos.

Después del cambio de la puerta, compruebe si las juntas de la puerta están bien colocadas en la carcasa y todos los tornillos están bien apretados.



### Temperaturas ambiente

Templada extendida: este aparato de refrigeración está destinado a ser utilizado a una temperatura ambiente comprendida entre 10 °C y 32 °C.

Templada: este electrodoméstico de refrigeración está destinado a ser utilizado a una temperatura ambiente comprendida entre 16 °C y 32 °C.

Subtropical: este aparato de refrigeración está destinado a ser utilizado a una temperatura ambiente comprendida entre 16 °C y 38 °C.

Tropical: este aparato de refrigeración está destinado a ser utilizado a una temperatura ambiente comprendida entre 16 °C y 43 °C.

## Ficha del producto conforme al Reglamento UE n.º 2019/2016

Basado en los resultados de la prueba estándar de 24 horas. El consumo de energía real dependerá de la ubicación y del modo de uso del electrodoméstico.

|                                                                                                         |                        |                        |                        |
|---------------------------------------------------------------------------------------------------------|------------------------|------------------------|------------------------|
| Marca comercial                                                                                         | Haier                  | Haier                  | Haier                  |
| Identificador del modelo                                                                                | HTW5618DN*             | HTW5620DN*             | HTW5618DW*             |
| Categoría del modelo                                                                                    | Frigorífico-congelador | Frigorífico-congelador | Frigorífico-congelador |
| Clase de eficiencia energética                                                                          | D                      | D                      | D                      |
| Consumo anual de energía (kWh/año)                                                                      | 217                    | 226                    | 216                    |
| Volumen del frigorífico (L)                                                                             | 201                    | 255                    | 198                    |
| Volumen del congelador (L)                                                                              | 125                    | 125                    | 125                    |
| Volumen de My Zone (L)                                                                                  | 34                     | 34                     | 34                     |
| Estrellas                                                                                               | 4                      | 4                      | 4                      |
| Sistema Frost-free                                                                                      | Sí                     | Si                     | Si                     |
| Autonomía ante cortes de corriente (h) / Tiempo de aumento de la temperatura (h)                        | 13                     | 13                     | 13                     |
| Capacidad de congelación (kg/24 h)                                                                      | 10                     | 10                     | 10                     |
| Clase climática<br>Este electrodoméstico debe usarse a una temperatura ambiente de entre 10 °C y 43 °C. | SN/N/ST/T              | SN/N/ST/T              | SN/N/ST/T              |
| Clase de emisión de ruido y emisiones de ruido acústico en el aire (dB(A) re 1 pW)                      | 35                     | 35                     | 35                     |

## Datos técnicos

|                                                                                                         |                        |                        |
|---------------------------------------------------------------------------------------------------------|------------------------|------------------------|
| Marca comercial                                                                                         | Haier                  | Haier                  |
| Identificador del modelo                                                                                | HTW5618CN*             | HTW5620CN*             |
| Categoría del modelo                                                                                    | Frigorífico-congelador | Frigorífico-congelador |
| Clase de eficiencia energética                                                                          | C                      | C                      |
| Consumo anual de energía (kWh/año)                                                                      | 173                    | 181                    |
| Volumen del frigorífico (L)                                                                             | 201                    | 255                    |
| Volumen del congelador (L)                                                                              | 125                    | 125                    |
| Volumen de My Zone (L)                                                                                  | 34                     | 34                     |
| Estrellas                                                                                               | 4                      | 4                      |
| Sistema Frost-free                                                                                      | Sí                     | Sí                     |
| Autonomía ante cortes de corriente (h)/Tiempo de aumento de la temperatura (h)                          | 13                     | 13                     |
| Capacidad de congelación (kg/24 h)                                                                      | 10                     | 10                     |
| Clase climática<br>Este electrodoméstico debe usarse a una temperatura ambiente de entre 10 °C y 43 °C. | SN/N/ST/T              | SN/N/ST/T              |
| Clase de emisión de ruido y emisiones de ruido acústico en el aire (dB(A) re 1 pW)                      | 35                     | 35                     |

## Ficha del producto conforme al Reglamento UE n.º 2019/2016

Basado en los resultados de la prueba estándar de 24 horas. El consumo de energía real dependerá de la ubicación y del modo de uso del electrodoméstico.

|                                                                                                         |                        |                        |                        |
|---------------------------------------------------------------------------------------------------------|------------------------|------------------------|------------------------|
| Marca comercial                                                                                         | Haier                  | Haier                  | Haier                  |
| Identificador del modelo                                                                                | HDPW5618DN*            | HDPW5620DN*            | HDPW5618DW*            |
| Categoría del modelo                                                                                    | Frigorífico-congelador | Frigorífico-congelador | Frigorífico-congelador |
| Clase de eficiencia energética                                                                          | D                      | D                      | D                      |
| Consumo anual de energía (kWh/año)                                                                      | 214                    | 220                    | 214                    |
| Volumen del frigorífico (L)                                                                             | 201                    | 255                    | 198                    |
| Volumen del congelador (L)                                                                              | 117                    | 117                    | 117                    |
| Volumen de My Zone (L)                                                                                  | 34                     | 34                     | 34                     |
| Estrellas                                                                                               | 4                      | 4                      | 4                      |
| Sistema Frost-free                                                                                      | Sí                     | Sí                     | Sí                     |
| Autonomía ante cortes de corriente (h) / Tiempo de aumento de la temperatura (h)                        | 13                     | 13                     | 13                     |
| Capacidad de congelación (kg/24 h)                                                                      | 10                     | 10                     | 10                     |
| Clase climática<br>Este electrodoméstico debe usarse a una temperatura ambiente de entre 10 °C y 43 °C. | SN/N/ST/T              | SN/N/ST/T              | SN/N/ST/T              |
| Clase de emisión de ruido y emisiones de ruido acústico en el aire (dB(A) re 1 pW)                      | 35                     | 35                     | 35                     |

| Marca comercial                                                                                         | Haier                  | Haier                  | Haier                  |
|---------------------------------------------------------------------------------------------------------|------------------------|------------------------|------------------------|
| Identificador del modelo                                                                                | HDPW5618CN*            | HDPW5620CN*            | HDPW5620AN*            |
| Categoría del modelo                                                                                    | Frigorífico-congelador | Frigorífico-congelador | Frigorífico-congelador |
| Clase de eficiencia energética                                                                          | C                      | C                      | A                      |
| Consumo anual de energía (kWh/año)                                                                      | 171                    | 176                    | 114                    |
| Volumen del frigorífico (L)                                                                             | 201                    | 255                    | 255                    |
| Volumen del congelador (L)                                                                              | 117                    | 117                    | 120                    |
| Volumen de My Zone (L)                                                                                  | 34                     | 34                     | 34                     |
| Estrellas                                                                                               | 4                      | 4                      | 4                      |
| Sistema Frost-free                                                                                      | Sí                     | Sí                     | Sí                     |
| Autonomía ante cortes de corriente (h) / Tiempo de aumento de la temperatura (h)                        | 13                     | 13                     | 16                     |
| Capacidad de congelación (kg/24 h)                                                                      | 10                     | 10                     | 10                     |
| Clase climática<br>Este electrodoméstico debe usarse a una temperatura ambiente de entre 10 °C y 43 °C. | SN/N/ST/T              | SN/N/ST/T              | SN/N/ST/T              |
| Clase de emisión de ruido y emisiones de ruido acústico en el aire (dB(A) re 1 pW)                      | 35                     | 35                     | 35                     |

Datos técnicos adicionales

|                              |                                      |               |               |               |
|------------------------------|--------------------------------------|---------------|---------------|---------------|
| Identificador del modelo     | HTW5618D*                            | HTW5620DN*    | HTW5618CN*    | HTW5620CN*    |
| Volumen total (L)            | 360<br>(357 para<br>HTW5618DWMG(UK)) | 414           | 360           | 414           |
| Voltaje/<br>Frecuencia       | 220-240V/50Hz                        | 220-240V/50Hz | 220-240V/50Hz | 220-240V/50Hz |
| Corriente de<br>entrada (A)  | 1,4 A                                | 1,4 A         | 1,4 A         | 1,4 A         |
| Fusible principal<br>(A)     | 16 A                                 | 16 A          | 15 A          | 15 A          |
| Refrigerante/<br>cantidad    | R600a/53g                            | R600a/53g     | R600a/50g     | R600a/50g     |
| Dimensiones<br>(A/P/A en mm) | 595*667*1850                         | 595*667*2050  | 595*667*1850  | 595*667*2050  |

ES

|                              |              |              |              |
|------------------------------|--------------|--------------|--------------|
| Identificador del modelo     | HDPW5618D*   | HDPW5618DW*  | HDPW5620DN*  |
| Volumen total (L)            | 352          | 349          | 406          |
| Voltaje/<br>Frecuencia       | 220-240/50Hz | 220-240/50Hz | 220-240/50Hz |
| Corriente de<br>entrada (A)  | 1,4 A        | 1,4 A        | 1,4 A        |
| Fusible principal<br>(A)     | 16 A         | 16 A         | 16 A         |
| Refrigerante/<br>cantidad    | R600a/53g    | R600a/53g    | R600a/53g    |
| Dimensiones<br>(A/P/A en mm) | 595*667*1850 | 595*667*1850 | 595*667*2050 |

|                           |              |              |              |
|---------------------------|--------------|--------------|--------------|
| Identificador del modelo  | HDPW5618CN*  | HDPW5620CN*  | HDPW5620AN*  |
| Volumen total (L)         | 352          | 406          | 409          |
| Voltaje/<br>Frecuencia    | 220-240/50Hz | 220-240/50Hz | 220-240/50Hz |
| Corriente de entrada (A)  | 1,4 A        | 1,4 A        | 1,4 A        |
| Fusible principal (A)     | 15 A         | 15 A         | 15 A         |
| Refrigerante/<br>cantidad | R600a/50g    | R600a/50g    | R600a/50g    |
| Dimensiones (A/P/A en mm) | 595*667*1850 | 595*667*2050 | 595*667*2050 |

### Normas y directivas

Este producto cumple los requisitos de todas las directivas CE aplicables con las correspondientes normas acordadas, que establecen el mercado CE.



Recomendamos nuestro Servicio de atención al cliente Haier y el uso de repuestos originales.

Si tiene algún problema con su electrodoméstico, compruebe primero la sección SOLUCIÓN DE PROBLEMAS.

Si no encuentra una solución allí, póngase en contacto con

- ▶ su distribuidor local o
- ▶ nuestro Centro europeo de atención al cliente (ver números de teléfono listados abajo) o
- ▶ el área de servicio y asistencia en [www.haier.com](http://www.haier.com), donde puede activar la
- ▶ solicitud de servicio y encontrar las Preguntas frecuentes.

Para ponerse en contacto con nuestro Servicio, asegúrese de tener los siguientes datos disponibles.

Puede encontrar la información en la placa de datos.

Modelo \_\_\_\_\_

N.º de serie \_\_\_\_\_

Compruebe también la tarjeta de garantía suministrada con el producto en caso de garantía.

| Centro europeo de atención al cliente |                    |                                                                                                                   |
|---------------------------------------|--------------------|-------------------------------------------------------------------------------------------------------------------|
| País*                                 | Número de teléfono | Costes                                                                                                            |
| Haier Italy (IT)                      | 199 100 912        |                                                                                                                   |
| Haier Spain (ES)                      | 902 509 123        |                                                                                                                   |
| Haier Germany (DE)                    | 0180 5 39 39 99    | <ul style="list-style-type: none"> <li>• 14 ct/min teléfono fijo</li> <li>• máx. 42 ct/min móvil</li> </ul>       |
| Haier Austria (AT)                    | 0820 001 205       | <ul style="list-style-type: none"> <li>• 14,53 ct/min teléfono fijo</li> <li>• máx. 20 ct/min el resto</li> </ul> |
| Haier United Kingdom (UK)             | 0333 003 8122      |                                                                                                                   |
| Haier France (FR)                     | 0980 406 409       |                                                                                                                   |

\* Para otros países, consulte [www.haier.com](http://www.haier.com)

Haier Europe Trading S.r.l

Sucursal Reino Unido

Westgate House, Westgate, Ealing

Londres, W5 1YY

\*Duración de la garantía del electrodoméstico de refrigeración:

La garantía mínima es de: 2 años para los países de la UE, 3 años para Turquía, 1 año para el Reino Unido, 1 año para Rusia, 3 años para Suecia, 2 años para Serbia, 5 años para Noruega, 1 año para Marruecos, 6 meses para Argelia, Túnez sin garantía legal, al no requerirse.

\*El período de piezas de repuesto para la reparación del aparato:

Los termostatos, los sensores de temperatura, las placas de circuito impresas y las fuentes de luz están disponibles durante un período mínimo de 7 años después de la comercialización de la última unidad del modelo.

Las asas, bisagras, bandejas y cestas lo están durante un período mínimo de 7 años, y las juntas durante un período mínimo de 10 años después de la comercialización de la última unidad del modelo.

\*Para más información sobre el producto, consulte <https://eprel.ec.europa.eu> o escanee el código QR en la etiqueta energética suministrada con el electrodoméstico.

|                             |     |
|-----------------------------|-----|
| Turvallisuusohjeet .....    | 299 |
| Käyttötarkoitus.....        | 305 |
| Tuotekuvaus .....           | 306 |
| Ohjauspaneeli.....          | 312 |
| Käyttö.....                 | 313 |
| Wi-Fi-käyttö .....          | 318 |
| Käyttö.....                 | 319 |
| Energiansäästövinkejä ..... | 322 |
| Varusteet .....             | 323 |
| Hoito ja puhdistus.....     | 327 |
| Vianetsintä.....            | 331 |
| Asennus.....                | 335 |
| Tekniset tiedot .....       | 338 |
| Asiakaspalvelu.....         | 344 |

---

**Kiitos, että ostit Haier-tuotteen.**

Lue nämä ohjeet huolellisesti ennen laitteen käyttöä. Ohjeet sisältävät tärkeitä tietoja, jotka auttavat sinua saamaan parhaan hyödyn laitteesta ja varmistamaan turvallisen ja asianmukaisen asennuksen, käytön ja huollon.

Säilytä tätä ohjekirjaa kätevässä paikassa, jotta voit aina tutustua siihen laitteen turvallisen ja asianmukaisen käytön varmistamiseksi.

Jos myyt laitteen, annat sen pois tai et ota sitä mukaan, kun muutat, varmista, että tämä käyttöopas pysyy aina laitteen mukana, jotta uusi omistaja voi tutustua käyttöoppaan avulla laitteeseen ja turvallisuusvaroituksiin.

**VAROITUS – Tärkeää turvallisuustietoa****HUOMAUTUS – Yleistä tietoa ja vinkkejä****Ympäristötiedot****Hävittäminen**

Auta suojelemaan ympäristöä ja ihmisten terveyttä. Laita pakkaus asianmukaisesti astioihin sen kierrättämiseksi. Auta kierrättämään sähkö- ja elektroniikkalaiteromua. Älä hävitä tällä symbolilla merkittyjä laitteita talousjätteen mukana. Palauta tuote paikalliseen kierrätyslaitokseen tai ota yhteyttä paikalliseen viranomaiseen.

**VAROITUS!**

Loukkaantumis- tai tukehtumisvaara!

Kylmäaineet ja kaasut on hävitettävä ammattimaisesti. Varmista ennen oikeanlaista hävittämistä, että kylmäainepiirin letku ei ole vaurioitunut. Irrota laite verkkovirrasta. Katkaise verkkokaapeli ja hävitä se. Irrota telineet ja laatikot sekä oven salpa ja tiivisteet, jotta lapset ja lemmikit eivät voi jäädä loukkuun laitteen sisään.

## Lue seuraavat turvallisuusohjeet, ennen kuin kytket laitteen päälle ensimmäistä kertaa:



### VAROITUS!

#### Ennen ensimmäistä käyttöä

- ▶ Varmista, ettei kuljetusvaurioita ole.
- ▶ Poista kaikki pakkaukset ja pidä ne poissa lasten ulottuvilta.
- ▶ Odota vähintään kaksi tuntia ennen laitteen asentamista varmistaaksesi, että kylmäainepiiri on täysin toimintavalmis.
- ▶ Laite on painava ja sen vuoksi sen käsittelymiseen tarvitaan aina vähintään kaksi henkilöä.

#### Asennus

- ▶ Laite on sijoitettava hyvin ilmastoituun paikkaan. Varmista, että laitteen yläpuolella ja ympärillä on tilaa vähintään 10 cm.
- ▶ Älä koskaan aseta laitetta kosteaan paikkaan tai paikkaan, jossa sen päälle voi roiskua vettä. Puhdista ja kuivaa vesiroiskeet ja tahrat pehmeällä puhtaalla liinalla.
- ▶ Älä asenna laitetta suoraan auringonvaloon tai lämmönlähteiden läheisyyteen (esim. uunit, lämmittimet).
- ▶ Asenna laitteen jalat ja säädä niitä tarpeen mukaan niin, että laite on tasapainossa ja tasaisesti. Asennuspaikan on oltava sopivan kokoinen ja sovelluttava laitteen käyttötarkoitukseen.
- ▶ Pidä laitteen koteloinnin tai rakenteelliset tuuletusaukot vapaina esteistä.
- ▶ Varmista, että laitteen arvokilvessä ilmoitetut sähkötiedot vastaavat käytettävissä olevaa virransyöttöä. Jos näin ei ole, ota yhteyttä sähköasentajaan.
- ▶ Verkkoliitäntä: 220–240 V, 50 Hz. Epänormaali jännitevaihtelu voi estää laitteen käynnistymisen tai vaurioittaa lämpötilan säätöä tai kompressoria tai aiheuttaa epänormaalia käyntiääntä. Tässä tapauksessa laitteeseen on asennettava automaattinen jännitteensäädin.
- ▶ Käytä erillistä maadoitettua pistorasiaa, joka on helposti saatavilla. Laite on maadoitettava.
- ▶ Vain Iso-Britannia: Laitteen virtajohtoon on liitetty 3-haarainen (maadoitettu) pistoke, joka sopii 3-haaraiseen (maadoitettuun) pistorasiaan. Kolmatta tappia (maadoitus) ei koskaan saa leikata pois tai poistaa jollakin muulla tavalla. Pistoke tulisi olla käytettävissä laitteen asennuksen jälkeen.
- ▶ Älä käytä monipistokesovittimia ja jatkoakaapeleita.
- ▶ Varmista, että virtajohto ei jää jääkaapin alle. Älä astu virtajohdon päälle.
- ▶ Älä vaurioita kylmäainepiiriä.
- ▶ Älä jätä monipistokkeisia jatkojohtoja äläkä siirrettäviä virtalähteitä laitteen taakse.



## VAROITUS!

### Päivittäinen käyttö

- ▶ Vähintään 8-vuotiaat lapset ja henkilöt, joiden fyysiset, aisteihin liittyvät tai henkiset kyvyt ovat alentuneet tai joilla ei ole aiheeseen liittyvää kokemusta ja tietoa, voivat käyttää laitetta edellyttäen, että heitä valvotaan tai heille annetaan ohjeet laitteen käyttöön turvallisella tavalla ja he ymmärtävät vaaratekijät.
- ▶ Lapset eivät saa leikkiä laitteella.
- ▶ 3–8-vuotiaat lapset saavat täyttää ja tyhjentää kylmälaitteita, mutta he eivät saa puhdistaa ja asentaa niitä.
- ▶ Pidä alle 3-vuotiaat lapset poissa laitteen läheisyydestä, ellei heitä valvota koko ajan.
- ▶ Lapset eivät saa puhdistaa laitetta tai suorittaa käyttäjän ylläpitotoimia ilman valvontaa.
- ▶ Laite tulee sijoittaa siten, että pistokkeeseen pääsee käsiksi.
- ▶ Jos jäähdytettyä kaasua tai jotakin muuta syttyvää kaasua vuotaa laitteen läheisyydessä, sammuta vuotavan kaasun venttiili, avaa ovet ja ikkunat äläkä irrota jääkaapin/pakastimen tai minkään muun laitteen virtajohtoa.
- ▶ Huomaa, että laite on asetettu toimimaan tietyllä ympäristön lämpötila-alueella (10–43 °C). Laite ei välttämättä toimi oikein, jos se on pidemmän aikaa lämpötilassa, joka ylittää tai alittaa ilmoitetun vaihteluvälin.
- ▶ Älä laita jääkaapin/pakastimen päälle epävakaita esineitä (esimerkiksi raskaita esineitä tai vedellä täytettyjä astioita). Näin voit välttää onnettomuudet, jotka voisivat aiheutua esineiden tippumisesta käyttäjän päälle, tai sähköiskusta kosketuksesta veteen.
- ▶ Älä vedä ovihyllyistä. Ovi voi mennä vinoon, pulloteline voi irrota tai kylmälaite voi kaatua.
- ▶ Avaa ja sulje ovi vain käyttämällä kahvoja. Oven ja kaapin välinen väli on hyvin kapea. Älä laita käsiäsi tällaisiin paikkoihin, jotta sormesi eivät joudu puristuksiin. Avaa tai sulje jääkaapin/pakastimen ovet vain silloin, kun oven liikkumisalueella ei ole lapsia.
- ▶ Älä koskaan säilytä pakastimessa pulloitettua olutta tai juomia, nesteitä pulloissa tai tölkeissä (lukuun ottamatta väkeviä alkoholijuomia) ja erityisesti hiilihapotettuja juomia, koska ne rikkoutuvat pakastuksen aikana.
- ▶ Älä säilytä laitteessa räjähtäviä aineita, kuten syttyvää ponnekaasua sisältäviä aerosolipulloja.



### VAROITUS!

- ▶ Älä säilytä laitteessa lääkkeitä, bakteereita tai kemiallisia aineita. Tämä laite on kodinkone. Laitteessa ei ole suositeltavaa säilyttää materiaaleja, jotka vaativat tarkkoja lämpötiloja.
- ▶ Noudata seuraavia ohjeita ruoan pahentumisen välttämiseksi:
- ▶ - Oven jättäminen auki pitkäksi aikaa voi aiheuttaa laitteen sisältämien tuotteiden huomattavan lämpötilan nousun.
- ▶ - Puhdista säännöllisesti pinnat, jotka voivat joutua kosketuksiin elintarvikkeiden kanssa. Puhdista myös säännöllisesti vedenpoistojärjestelmät.
- ▶ - Puhdista vesitankit, jos ne eivät ole olleet käytössä 48 tuntiin. Huuhtelee vesijohdot antamalla veden virrata, jos vettä ei ole käytetty 5 päivään.
- ▶ - Säilytä raaka liha ja kala jääkaapissa asianmukaisissa astioissa, jotta ne eivät joudu kosketuksiin muiden elintarvikkeiden kanssa ja jotta niistä ei tipu nesteitä muihin elintarvikkeisiin.
- ▶ - Kahden tähden pakasteosastot soveltuvat esipakastetun ruoan säilytykseen, jäätelön säilytykseen tai valmistukseen sekä jääpalojen valmistukseen.
- ▶ - Yhden, kahden ja kolmen tähden osastot eivät sovellu tuoreiden elintarvikkeiden pakastamiseen.
- ▶ - Jos jäähdytyslaite ei ole käytössä pitkään aikaan, sammuta laitteesta virta, sulata laite, puhdista, kuivaa ja jätä ovi auki, jotta jäähdytyslaitteeseen ei muodostu hometta.
- ▶ Tarkista ruoan kunto, jos pakastimessa on tapahtunut lämpenemistä.
- ▶ Älä aseta jääkaapin lämpötilaa tarpeettoman alhaiseksi. Miinuslämpötiloja voi esiintyä erittäin kylmillä asetuksilla. Huomio: Pullot voivat rikkoutua.
- ▶ Älä koske jäätyneisiin tuotteisiin märin käsin (käytä käsineitä). Erityisesti mehujäätä ei tulisi syödä heti sen jälkeen, kun se on otettu ulos pakastinosastosta. On olemassa paleltumisen tai rakkuloiden muodostumisen riski. ENSIAPU: Huuhtelee kohtaa välittömästi juoksevalla kylmällä vedellä. Älä keskeytä huuhtelua!
- ▶ Älä koske pakastimen säilytyslokeron sisäpintaa, kun pakastin on käynnissä. Tätä ei tulisi tehdä etenkään märin käsin, koska kädet saattavat jäätyä pintaan kiinni.
- ▶ Irrota laite pistorasiasta sähkökatkoksen sattuessa tai ennen puhdistusta. Odota vähintään 7 minuuttia ennen kuin käynnistät laitteen uudelleen, sillä usein tapahtuvat uudelleenkäynnistykset voivat vahingoittaa kompressoria.
- ▶ Älä käytä sähkölaitteita laitteen ruoansäilytystiloissa mikäli ne eivät ole valmistajan suosittelemia.





## VAROITUS!

### Huolto/puhdistus

- ▶ Varmista, että lapsia valvotaan, jos he suorittavat puhdistuksen ja huollon.
- ▶ Irrota laite virtalähteestä ennen rutiinihuoltoa. Odota vähintään 5 minuuttia ennen kuin käynnistät laitteen uudelleen, sillä usein tapahtuvat uudelleenkäynnistykset voivat vahingoittaa kompressoria.
- ▶ Pidä kiinni pistokkeesta, ei kaapelista, kun irrotat laitteen pistorasiasta.
- ▶ Älä puhdista laitetta käyttämällä kovia harjoja, teräsharjoja, pesuainejauhetta, bensiiniä, amyliasettaattia, asetonia ja vastaavia orgaanisia liuoksia tai happamia tai emäksisiä liuoksia. Vältä vauriot puhdistamalla erityisellä jääkaapin/pakastimen pesuaineella. Voit myös käyttää lämmintä vettä ja ruokasoodaa – sekoita noin ruokalusikallinen ruokasoodaa litraan vettä. Huuhtelee huolellisesti vedellä ja pyyhi kuivaksi. Älä käytä puhdistusjauheita tai muita hankaavia puhdistusaineita. Älä pese irrotettavia osia astianpesukoneessa.
- ▶ Älä raaputa huurretta ja jäätä pois terävillä esineillä. Älä käytä suihkeita, sähkölämmittimiä, kuten lämmitintä, hiustenkuivaajaa tai höyrypuhdistimia, tai muita lämmönlähteitä muovisten osien vaurioitumisen välttämiseksi.
- ▶ Älä yritä nopeuttaa sulatusta käyttämällä mekaanisia laitteita tai muita keinoja, lukuun ottamatta laitteen valmistajan suosittelemia menetelmiä.
- ▶ Jos virtajohto on vaurioitunut, sen saa vaihtaa valmistaja, valmistajan huoltoedustaja tai vastaava ammattitaitoinen henkilö vaaran välttämiseksi.
- ▶ Älä yritä korjata, purkaa tai muokata laitetta itse. Jos laite on korjattava, ota yhteyttä asiakaspalveluumme.
- ▶ Jos lamppu on vaurioitunut, valmistajan, sen huoltoedustajan tai vastaavan ammattitaitoisen henkilön on vaihdettava se vaaratilanteen välttämiseksi.
- ▶ Poista laitteen takana oleva pöly vähintään kerran vuodessa välttääksesi palovaaran ja lisääntyneen energiankulutuksen.
- ▶ Älä suihkuta tai huuhtelee laitetta puhdistuksen aikana.
- ▶ Älä käytä vesisuihkua tai höyryä laitteen puhdistamiseen.
- ▶ Älä puhdista kylmiä lasihyllyjä tai lasiovea kuumalla vedellä. Äkillinen lämpötilan muutos voi aiheuttaa lasin rikkoutumisen.
- ▶ Jos laite poistetaan käytöstä pitkäksi aikaa, jätä se auki epämiellyttävien hajujen välttämiseksi.

### Tietoa kylmäaineesta



#### **VAROITUS!**

Laitte sisältää syttyvää kylmäainetta, jonka nimi on isobutaani (R600a). Varmista, että kylmäainepiiri ei ole vaurioitunut kuljetuksen tai asennuksen aikana. Vuotava kylmäaine voi aiheuttaa silmävammoja tai syttyä. Jos vaurioita on tapahtunut, pidä poissa avoimet palonlähteet, tuuleta huone huolellisesti, älä kytke tai irrota laitteen tai minkään muun laitteen virtajohtoja. Ilmoita asiasta asiakaspalveluun.

Jos silmät joutuvat kosketuksiin kylmäaineen kanssa, huuhtelee ne välittömästi juoksevan veden alla ja ota välittömästi yhteyttä silmälääkäriin.

Jäähdytysjärjestelmässä on korkea paine. Älä peukaloi sitä. Koska laitteessa on käytetty syttyviä kylmäaineita, asenna, käsittele ja huolla laitetta tarkasti ohjeiden mukaisesti ja ota yhteyttä alan ammattilaiseen tai huoltopalveluumme laitteen hävittämiseksi.

Jäävesitoiminnolla varustettujen jääkaappien osalta kiinnitä huomiota seuraavaan varoitukseen:

- Laitteet, joita ei ole tarkoitettu liitettäväksi vesihuoltoon: täytä vain kannettavalla vedellä.
- Laitteet, jotka on tarkoitettu liitettäväksi vesihuoltoon: liitä vain juomavesihuoltoon.
- Jos haluat puhdistaa vesijärjestelmän, katso lisätietoja käyttöoppaasta. Jos sinulla on kysyttävää, ota yhteyttä huoltopalveluun.

## Käyttötarkoitus

Tämä laite on tarkoitettu ruoan jäädyttämiseen ja pakastamiseen. Se on tarkoitettu käytettäväksi yksinomaan kotitalouksissa ja vastaavissa olosuhteissa, kuten henkilökunnan keittiötiloissa myymälöissä, toimistoissa ja muissa vastaavissa, maataloissa sekä hotellien, motellien ja muiden vastaavien asuinympäristöjen asiakkaiden käytössä ja aamiaismajoituksissa (Bed&Breakfast) sekä catering-liiketoiminnassa. Sitä ei ole tarkoitettu kaupalliseen tai teolliseen käyttöön. Laitteen muuttaminen tai muokkaaminen ei ole sallittua. Käyttö ohjeiden vastaisella tavalla voi aiheuttaa vaaroja. Voit myös menettää oikeuden takuuseen perustuvien korvausvaatimusten tekemiseen.

## Standardit ja direktiivit sekä

Tämä tuote täyttää kaikkien sovellettavien EY-direktiivien vaatimukset vastaavilla yhdenmukaistetuilla standardeilla ja Yhdistyneen kuningaskunnan standardeilla, joissa säädetään CE- ja UKCA-merkinnästä.

## Lisävarusteet

Tarkista lisävarusteet ja kirjallisuus tämän luettelon mukaisesti:

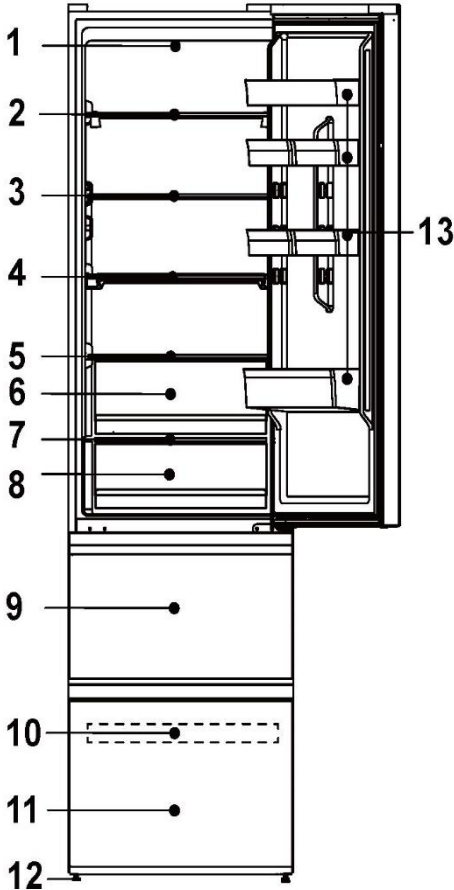


## HUOMAUTUS

Teknisten muutosten ja erilaisten mallien vuoksi jotkin tämän käyttöohjeen kuvista saattavat poiketa mallistasi.

## **i** HUOMAUTUS

Teknisten muutosten ja erilaisten mallien vuoksi jotkin tämän käyttöohjeen kuvista saattavat poiketa mallista. (HTW5620\*N\*)

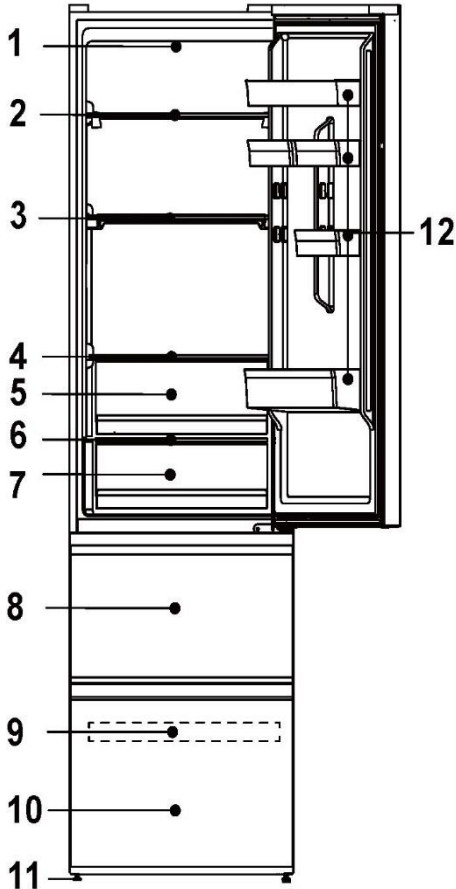


- 1-Jääkaapin LED-lamppu
- 2-Viiniteline
- 3-Lasihylly
- 4-Taitettava hylly
- 5-Humidity Zone -laatikon kansi
- 6-Humidity Zone -laatikko
- 7-My Zone -laatikon kansi
- 8-My Zone -laatikko
- 9-Pakastimen ylempi säilytyslaatikko
- 10-Pakastinhylly
- 11-Pakastimen alempi säilytyslaatikko
- 12-Säädettävät jalat
- 13-Ovihylly



## HUOMAUTUS

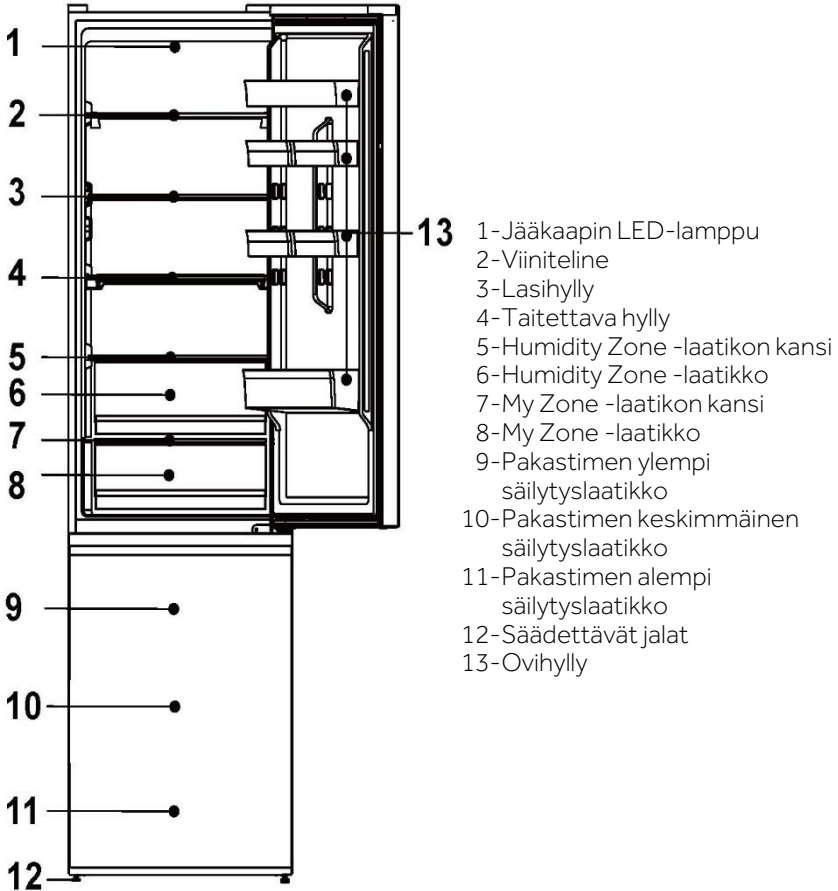
Teknisten muutosten ja erilaisten mallien vuoksi jotkin tämän käyttöohjeen kuvista saattavat poiketa mallista. (HTW5618\*N\*)



- 1-Jääkaapin LED-lamppu
- 2-Viiniteline
- 3-Taitettava hylly
- 4-Humidity Zone -laatikon kansi
- 5-Humidity Zone -laatikko
- 6-My Zone -laatikon kansi
- 7-My Zone -laatikko
- 8-Pakastimen ylempi säilytyslaatikko
- 9-Pakastinhylly
- 10-Pakastimen alempi säilytyslaatikko
- 11-Säädettävät jalat
- 12-Ovihylly

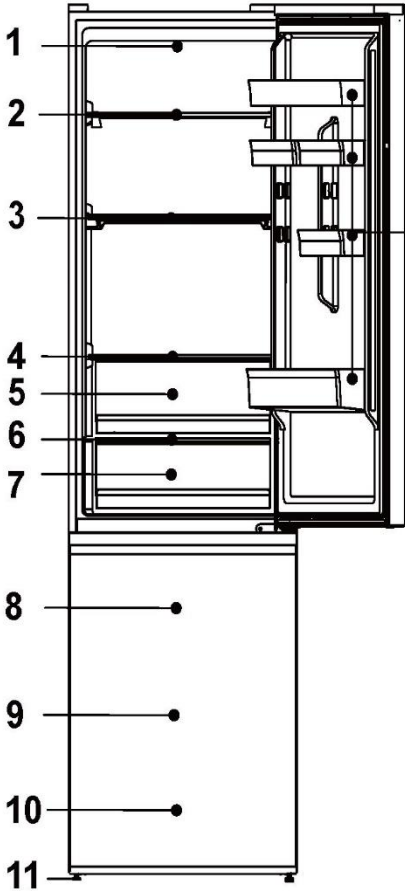
## **i** HUOMAUTUS

Teknisten muutosten ja erilaisten mallien vuoksi jotkin tämän käyttöohjeen kuvista saattavat poiketa mallista. (HDPW5620\*N\*)



**i** HUOMAUTUS

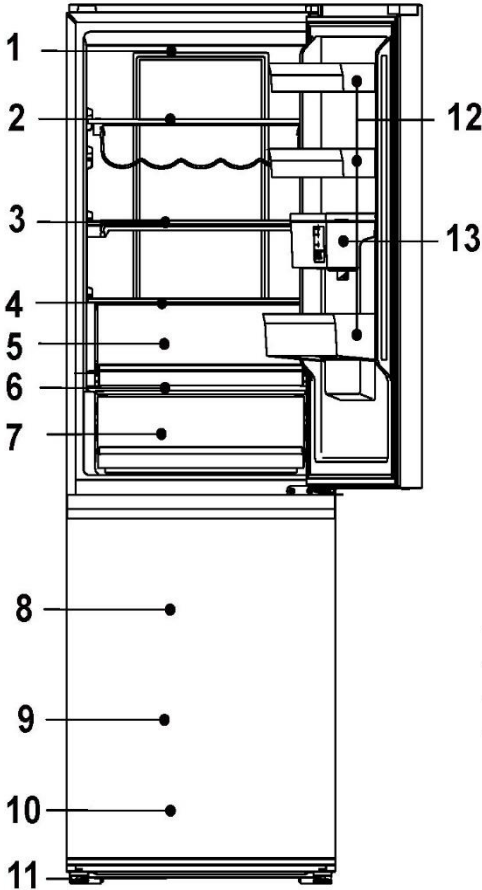
Teknisten muutosten ja erilaisten mallien vuoksi jotkin tämän käyttöohjeen kuvista saattavat poiketa mallista. (HDPW5618\*N\*)



- 1-Jääkaapin LED-lamppu
- 2-Viiniteline
- 3-Taitettava hylly
- 4-Humidity Zone -laatikon kansi
- 5-Humidity Zone -laatikko
- 6-My Zone -laatikon kansi
- 7-My Zone -laatikko
- 8-Pakastimen ylempi säilytyslaatikko
- 9-Pakastimen keskimäinen säilytyslaatikko
- 10-Pakastimen alempi säilytyslaatikko
- 11-Säädettävät jalat
- 12-Ovihylly

## **i** HUOMAUTUS

Teknisten muutosten ja erilaisten mallien vuoksi jotkin tämän käyttöohjeen kuvista saattavat poiketa mallista. (HDPW5618DW\*)

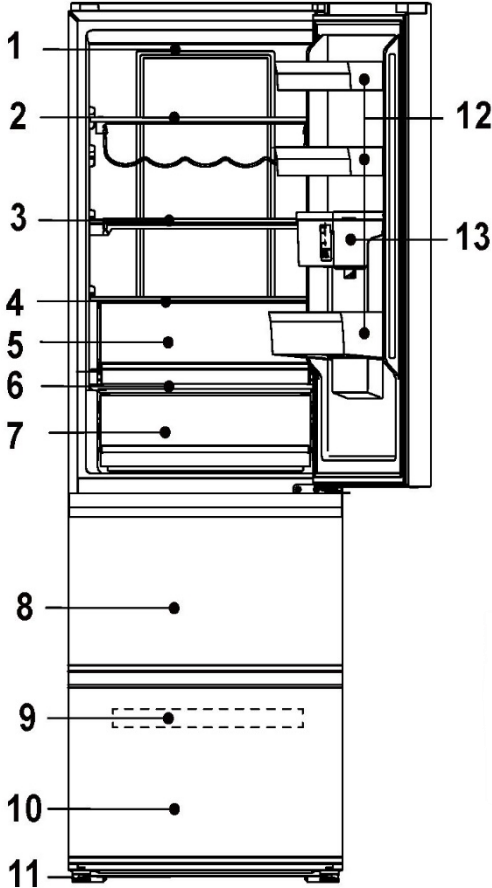


- 1-Jääkaapin LED-lamppu
- 2-Viiniteline
- 3-Taitettava hylly
- 4-Humidity Zone -laatikon kansi
- 5-Humidity Zone -laatikko
- 6-My Zone -laatikon kansi
- 7-My Zone -laatikko
- 8-Pakastimen ylempi säilytyslaatikko
- 9-Pakastimen keskimmäinen säilytyslaatikko
- 10-Pakastimen alempi säilytyslaatikko
- 11-Säädettävät jalat
- 12-Ovihylly
- 13-Vesisäiliö



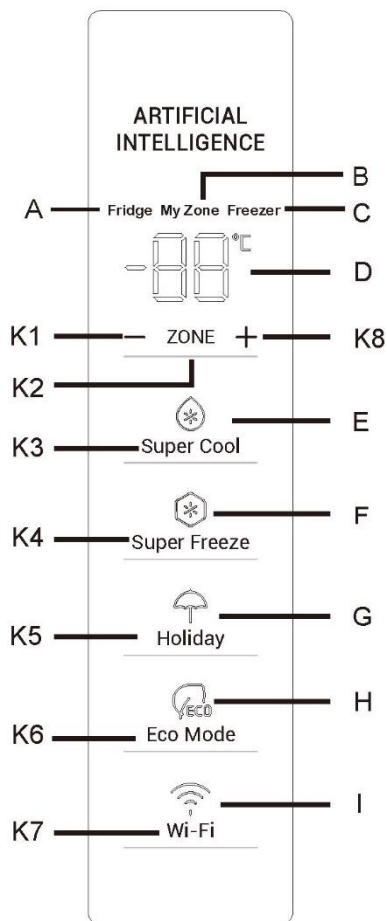
**i** HUOMAUTUS

Teknisten muutosten ja erilaisten mallien vuoksi jotkin tämän käyttöohjeen kuvista saattavat poiketa mallista. (HTW5618DW\*)



- 1-Jääkaapin LED-lamppu
- 2-Viiniteline
- 3-Taitettava hylly
- 4-Humidity Zone -laatikon kansi
- 5-Humidity Zone -laatikko
- 6-My Zone -laatikon kansi
- 7-My Zone -laatikko
- 8-Pakastimen ylempi säilytyslaatikko
- 9-Pakastinhylly
- 10-Pakastimen alempi säilytyslaatikko
- 11-Säädettävät jalat
- 12-Ovihylly
- 13-Vesisäiliö

## Ohjauspaneeli



## Painikkeet:

- A Jääkaappiosasto
- B My Zone -osasto
- C Pakastinosasto
- D Lämpötilanäyttö
- E Super Cool -toiminto
- F Super Freeze -toiminto
- G Holiday-toiminto
- H Eco-tila
- I Wi-Fi-toiminto

## Merkkivalot:

- K1 Laske lämpötilaa
- K2 Valitsin: Jääkaappi, My Zone ja Pakastin
- K3 Super Cool -toiminto päällä/pois päältä
- K4 Super Freeze -toiminto päällä/pois päältä
- K5 Holiday-toiminto päällä/pois päältä
- K6 Eco-tila päällä/pois päältä
- K7 Wi-Fi-toiminto päällä/pois päältä
- K8 Nosta lämpötilaa

## Ennen ensimmäistä käyttöä

Poista kaikki pakkausmateriaalit, pidä ne poissa lasten ulottuvilta ja hävitä ne ympäristöystävällisesti.

Puhdista laitteen sisä- ja ulkopuoli sekä sisäosat ja lisävarusteet vedellä ja miedolla pesuaineella ja kuivaa se hyvin pehmeällä liinalla.

Kun laite on vaakasuorassa ja puhdistettu, odota vähintään 2 tuntia ennen kuin kytket sen virtalähteeseen. Katso kohta ASENNUS.

Esijähdytä lokerot käyttämällä kylmiä asetuksia, ennen kuin täytät ne ruoalla. Super Freeze -toiminto auttaa jäähdyttämään pakastimen nopeasti.

## Anturinäppäimet

Ohjauspaneelin painikkeet ovat anturinäppäimiä, jotka reagoivat jo kevyesti sormella kosketettaessa.

## Laitteen kytkeminen päälle / pois päältä

Laite on toiminnassa heti, kun se on kytketty virtalähteeseen.

Kun laite käynnistetään ensimmäistä kertaa, lämpötilan merkkivalo D näyttää esiasetusarvot (katso alla oleva huomautus).

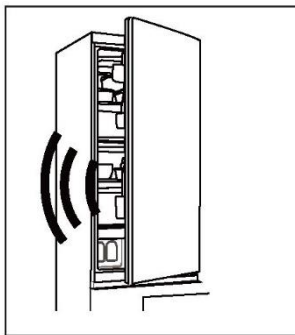
## HUOMAUTUS

Laite on esiasetettu suositeltuun lämpötilaan 5 °C (jääkaappi) ja -18 °C (pakastin). My Zone -lämpötila on esiasetettu noin 2 °C:seen. Nämä ovat suositeltuja asetuksia. Voit halutessasi muuttaa näitä lämpötiloja manuaalisesti.

## Oven avaushälytys

Jääkaappi hälyttää, kun sen ovi on ollut auki yli 3 minuutin ajan.

Hälytyksen voi hiljentää sulkemalla oven. Jos ovi on auki yli 7 minuuttia, jääkaapin sisällä oleva valo ja ohjauspaneelin valaistus sammuvat automaattisesti.



Lämpötilan säätäminen

Sisätilan lämpötilaan vaikuttavat seuraavat tekijät:

Ympäristön lämpötila

Oven avaustiheys

Varastoitujen elintarvikkeiden määrä

Laitteen asennus

### Jääkaapin lämpötilan säätäminen

1. Paina näppäintä K2 (jääkaappi/ My Zone)/ pakastin), kun haluat valita jääkaapin. Kuvakkeissa A (jääkaappi) ja D (lämpötilanäyttö) on valo.
2. Paina näppäintä K1/K8 ja aseta jääkaapin lämpötila.  
Lämpötila nousee 1 °C kerralla (2–8 °C). Optimaalinen lämpötila jääkaapissa on 5 °C. Tätä kylmemmät lämpötilat kuluttavat tarpeettoman paljon sähköä.
3. Noin 5 sekunnin kuluttua lämpötilakuvake D (lämpötilanäyttö) palaa koko ajan, ja asetus on vahvistettu.



### HUOMAUTUS

Sovelluksesta voidaan mukauttaa sekä jääkaapin että pakastimen lämpötilaa. Lämpötila-asetusta voidaan säätää 1 °C:een tarkkuudella.

### Pakastimen lämpötilan säätäminen

1. Paina kosketusnäppäintä K2 (jääkaappi/ My Zone)/ pakastin), kun haluat valita pakastinosaston. Merkkivalot C (pakastin) ja D (lämpötilanäyttö) ovat palavat.
2. Paina kosketusnäppäintä K1/K8 ja aseta pakastimen lämpötila.  
Lämpötila nousee 1 °C kerralla (24–16 °C). Optimaalinen lämpötila on -18. Tätä kylmemmät lämpötilat kuluttavat tarpeettoman paljon sähköä.
3. Noin 5 sekunnin kuluttua lämpötilan merkkivalo D (lämpötilanäyttö) palaa koko ajan, ja asetus on vahvistettu.



### HUOMAUTUS

Jos muita painikkeita painetaan 5 sekunnin kuluessa lämpötilan asettamisen jälkeen, nykyinen lämpötila-asetus vahvistetaan välittömästi. Jos mitään näppäintoimintoa ei suoriteta 5 sekunnin kuluessa, nykyinen asetettu lämpötila näkyy näytössä, kunnes näyttö sammuu.

## My Zone -laatikon lämpötilan säätäminen

Jääkaapissa on My Zone -laatikko. Voit valita tämän laatikon lämpötilan sen mukaan, millaisia elintarvikkeita säilytät siinä, ja näin pitää huolta siitä, että elintarvikkeiden ravintoarvot säilyvät optimaalisina.

1. Paina näppäintä K2 (jääkaappi/ (My Zone)/ pakastin), kun haluat valita My Zone -osaston. Kuvakkeissa B (My Zone -osasto) ja D (lämpötilanäyttö) on valo. Asetus voidaan valita myös sovelluksessa.
2. Paina kosketusnäppäintä K1/K8 ja aseta My Zone -osaston lämpötila. Lämpötilaa voidaan säätää myös sovelluksessa.

Lämpötila nousee 1 °C kerralla (0–5 °C).

3. Noin 5 sekunnin kuluttua lämpötilakuvake D (lämpötilanäyttö) palaa koko ajan, ja asetus on vahvistettu.



### HUOMAUTUS

1. Voit asettaa My Zone -osaston lämpötilaksi keskitason (2 °C), joka on optimaalinen säilytysympäristö monille elintarvikkeille.
2. Koska lihan vesipitoisuus vaihtelee, jotkin lihatyypit, joiden vesipitoisuus on suuri, jäätyvät alle 0 °C:een lämpötilassa. Tämän vuoksi äskettäin paloiteltu liha on säilytettävä My Zone -laatikossa, jonka vähimmäislämpötila on 0 °C.
3. Kylmäherkkiä hedelmiä, kuten ananaksia, avokadoja, banaaneja, greippejä, ja vihanneksia, kuten perunoita, munakoisoja, papuja, kurkkuja, kesäkurpitsvoja ja tomaatteja, sekä juustoa ei pitäisi säilyttää My Zone -laatikossa.
4. Jos jääkaapin lämpötila on alhaisempi kuin My Zone -laatikon lämpötila, on normaalia, että My Zone -lämpötila on sille asetettua lämpötilaa alhaisempi.

## Super Cool -toiminto

1. Super Cool -toiminto on suositeltavaa kytkeä päälle, jos halutaan varastoida suuri määrä ruokaa (esim. ostosten jälkeen). Super Cool -toiminto nopeuttaa tuoreen ruoan jäähdytystä ja suojaa jääkaapissa jo olevia ruokia ei-toivotulta lämpenemiseltä.
2. Paina näppäintä K3 tai kytke toiminto päälle sovelluksesta. Kuvake E (Super Cool -toiminto) on palaa ja toiminto aktivoituu.

### HUOMAUTUS

1. Laite poistaa Super Cool -toiminnon käytöstä, kun se on ollut päällä 6 tuntia tai kun painat näppäintä K3, kun kuvake E (Super Cool -toiminto) palaa. Toiminnon voi kytkeä pois päältä myös sovelluksesta.
2. Jos jääkaapin lämpötilaa yritetään säätää, kun Super Cool -toiminto on käytössä, kuvake E (Super Cool -toiminto) vilkkuu sen merkiksi, että tätä toimintoa ei voida suorittaa.

FI

### Super Frz -toiminto

1. Tuoreet elintarvikkeet on pakastettava mahdollisimman nopeasti kokonaan, sillä tämä säilyttää tehokkaimmin ravintoarvon, ulkonäön ja maun. Super Freeze -toiminto nopeuttaa tuoreen ruoan pakastumista ja suojaa pakastimessa jo olevia ruokia ei-toivotulta lämpenemiseltä. Jos pakastettavana on suuri määrä ruokaa, on suositeltavaa asettaa Super Freeze -toiminto päälle 24 tuntia ennen käyttöä.
2. Paina näppäintä K4 (Super Freeze -toiminnon asetus) tai kytke se päälle sovelluksesta. Kuvake F (Super Freeze -toiminto) palaa ja toiminto aktivoituu.

### HUOMAUTUS

1. Laite poistaa Super Freeze -toiminnon käytöstä, kun se on ollut päällä 50 tuntia tai kun painat näppäintä K4, kun kuvake F (Super Freeze -toiminto) palaa. Toiminnon voi kytkeä pois päältä myös sovelluksesta.
2. Jos pakastinosaston lämpötilaa yritetään säätää, kun Super Freeze -toiminto on käytössä, kuvake F (Super Freeze -toiminto) vilkkuu sen merkiksi, että tätä toimintoa ei voida suorittaa.

### Holiday-toiminto

Holiday-toiminnolla voidaan vähentää laitteen energiankulutusta, kun laitetta ei käytetä säännöllisesti. Kun toiminto on käytössä, jääkaappi on pois päältä ja pakastin jatkaa toimintaansa normaalisti. Toiminto asettaa jääkaapin lämpötilaksi pysyvästi 17 °C.

Tämän ansiosta voit pitää tyhjän jääkaapin oven suljettuna, eikä jääkaappiin muodostu poissaolosi (esim. loman) aikana pahaa hajua tai hometta. Voit säätää pakastinosaston lämpötilan haluamaksesi.

1. Paina näppäintä K5 (Holiday-toiminto päällä/pois päältä) tai valitse toiminto sovelluksesta. Kuvake G (Holiday-toiminto) on palaa ja toiminto aktivoituu.
2. Toiminto voidaan kytkeä pois päältä painamalla uudelleen painiketta K5 (Holiday-toiminto päällä/pois päältä), asettamalla jääkaapin lämpötila, määrittämällä mikä tahansa muu asetus tai kytkemällä toiminto pois päältä sovelluksesta.



## HUOMAUTUS

1. Jääkaapissa ei saa säilyttää ruokaa, kun Holiday-toiminto on käytössä. Lämpötila +17 °C on liian korkea ruoan säilytykseen.
2. Kun Holiday-toiminto on päällä, My Zone -kuvake pysyy pois päältä ja jääkaappitoiminto on lukittu. Jos jääkaapin lämpötilaa yritetään säätää, kuvake G (Holiday-toiminto) vilkkuu sen merkiksi, että tätä toimintoa ei voida suorittaa.

### Eco-tila

Eco-tila voidaan ottaa käyttöön laitteen suorituskyvyn optimoimiseksi ja ruuan parhaan varastoinnin varmistamiseksi. Jos sinulla ei ole mitään erityisvaatimuksia, suosittelimme Eco-tilan käyttöä.

Tässä tilassa jääkaapin lämpötila on 5 °C ja pakastimen lämpötila on -18 °C.

1. Paina näppäintä K6 (Eco-tila päällä/pois päältä) tai valitse toiminto sovelluksesta.
2. Kuvake H (Eco-tila) palaa ja toiminto on aktiivinen.

Voit kytkeä toiminnon pois päältä toistamalla yllä olevat vaiheet tai valitsemalla jonkin toisen toiminnon. Voit poistaa toiminnon käytöstä myös sovelluksesta. Aiemmin asetetut jäähdytystasot palautuvat käyttöön.



## HUOMAUTUS

Jos jääkaapin/pakastimen lämpötilaa yritetään säätää, kun Eco-tila on käytössä, kuvake H (Eco-tila) vilkkuu sen merkiksi, että tätä toimintoa ei voida suorittaa.

Vaihe 1 Lataa hOn-sovellus jostakin seuraavista sovelluskaupoista.

|                                                                                                                                                                                                                                                                                                                                         |                                                                                                                                                            |
|-----------------------------------------------------------------------------------------------------------------------------------------------------------------------------------------------------------------------------------------------------------------------------------------------------------------------------------------|------------------------------------------------------------------------------------------------------------------------------------------------------------|
|     |                                                                                                                                                            |
| <p>Vaihe 2 Luo tili hOn-sovelluksessa tai kirjaudu sisään, jos sinulla on jo tili.</p>                                                                                                                                                                 | <p>Vaihe 3 Nouda hOn-sovelluksen ohjeita laiteparin muodostamiseksi.</p>  |

### Wi-Fi-toiminto

1. Määritä Wi-Fi noudattamalla sovelluksen ohjeita.
2. Kun Wi-Fi on määritetty ja yhteys muodostettu, Wi-Fi-kuvake "I" on palaa tasaisesti.
3. Jos Wi-Fi on jo määritetty, se yhdistyy automaattisesti uudelleen kokoonpanotietojen mukaisesti, jos Wi-Fi on käytössä.

### HUOMAUTUS

1. Jos haluat kytkeä Wi-Fi-yhteyden pois päältä, paina Wi-Fi-näppäintä K7. Wi-Fi-kuvake I sammuu.
2. Paina Wi-Fi-näppäintä K7, kun haluat kytkeä Wi-Fi-yhteyden päälle ja aloittaa määrittäksen. Wi-Fi-kuvake I alkaa vilkkua hitaasti. Jos haluat määrittää Wi-Fi-toiminnon, paina K7-näppäintä 3 sekunnin ajan. Wi-Fi-kuvake vilkkuu nopeasti ja laite siirtyy määrittystilaan. Jos haluat kytkeä Wi-Fi-toiminnon pois päältä, paina K7-näppäintä kerran. Toista edellä mainitut vaiheet.
3. Jos tuote on määritetty ja Wi-Fi-toiminto on kytketty pois päältä, jääkaappi ei siirry määrittystilaan, kun se kytketään uudelleen virtalähteeseen.

### HUOMAUTUS

1. Tätä tuotetta ei ole tarkoitettu kaupalliseen käyttöön.
2. Suurin RF-lähtöteho: 2,4 GHz Wi-Fi: 16 dBm;
3. Bluetooth LE: 5 dBm; Bluetooth (BR/EDR): 10 dBm.
4. Taajuuskaista: 2 400–2 483,5 MHz.



## Säilytys jääkaapissa

Pidä jääkaapin lämpötila alle 5 °C:eessa.

Kuuma ruoka on jäähdytettävä huoneenlämpöiseksi ennen sen laittamista laitteeseen.

Jääkaapissa säilytettävät elintarvikkeet tulisi pestä ja kuivata ennen kuin ne asetetaan jääkaappiin.

Jääkaapissa säilytettävä ruoka tulisi säilyttää huolellisesti suljetuissa astioissa, jotta sen maku tai tuoksu ei muutu.

Älä säilytä jääkaapissa huomattavan suuria määriä ruokaa. Jätä tuotteiden väliin tilaa, jotta ilma pääsee kiertämään jääkaapissa. Näin tuotteet jäähtyvät paremmin ja tasaisemmin.

Päivittäin syötävät elintarvikkeet tulisi säilyttää hyllyn etuosassa.

Jätä elintarvikkeiden ja sisäseinien väliin tilaa, jotta ilma pääsee kiertämään vapaasti. Erityisesti tulee välttää elintarvikkeiden asettamista takaseinää vasten, koska ne voivat tällöin jäätyä. Vältä elintarvikkeiden (erityisesti rasvaisten tai happamien elintarvikkeiden) suoraa kosketusta sisäseiniin, koska öljy/happo voi vahingoittaa seinäpintaa. Puhdista öljyinen/hapan lika aina, kun sitä löytyy.

Pakastetut elintarvikkeet voidaan sulattaa hitaasti jääkaapissa. Tämä säästää energiaa.

Hedelmien ja vihannesten, kuten kesäkurpitsan, melonin, papaijan, banaanin, ananaksen jne. vanhentuminen voi kiihtyä jääkaapissa, eikä niiden säilytystä jääkaapissa siksi suositella. Raakojen tummanvihreiden hedelmien kypsymistä voidaan kuitenkin edistää jonkin aikaa säilyttämällä niitä jääkaapissa. Sipulit, valkosipulit, inkivääri ja muut juurekset tulisi myös säilyttää huoneenlämmössä.

Jääkaapin epämiellyttävät hajut ovat merkki siitä, että jääkaappi on likainen ja että puhdistus on tarpeen. Katso kohta "Hoito ja puhdistus".

Eri elintarvikkeet tulisi sijoittaa eri alueille niiden ominaisuuksien mukaan.

## Säilytys pakastinosastossa

Pidä pakastimen lämpötilana -18 °C.

Kytke Super-Freeze-toiminto päälle 24 tuntia ennen pakastamista. Pienille määrille ruokaa riittää 4–6 tuntia.

Kuuma ruoka on jäähdytettävä huoneenlämpöiseksi, ennen kuin se voidaan sijoittaa pakastimeen.

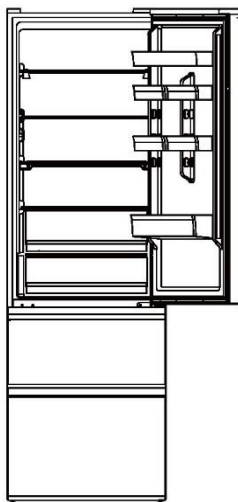
Pienempiin annoksiin jaettu ruoka pakastuu nopeammin ja on helpompi sulattaa ja kypsentää. Yhden annoksen suositeltu paino on alle 2,5 kg.

Ruoka kannattaa pakata huolellisesti ennen sen laittamista pakastimeen.

Pakastepussin ulkopinnan on oltava kuiva, jotta pussit eivät tartu yhteen.

Pakkausmateriaalien on oltava hajuttomia, ilmatiiviitä ja myrkyttömiä.

Liian pitkien pakastusaikojen välttämiseksi pakkaukseen kannattaa merkitä pakastuspäivä, pakastetun tuotteen nimi ja viimeinen säilytyspäivä, joka määräytyy kyseisen ruoka-aineksen yleisten säilyvyys-suositusten mukaan.



### VAROITUS!

- ▶ Happo, emäkset ja suola jne. voivat vahingoittaa pakastimen sisäpintaa.
- ▶ Älä aseta näitä aineita sisältävää ruokaa (esim. merikalat) suoraan sisäpinnalle. Pakastimeen joutuva suolavesi on puhdistettava välittömästi.
- ▶ Älä ylitä valmistajien suosittelemaa ruokien säilytysaikaa. Ota pakastimesta vain tarvittava määrä ruokaa kerralla.
- ▶ Syö sulatettu ruoka nopeasti. Sulatettua ruokaa ei voi pakastaa uudelleen, ellei sitä kypsennetä ensin, sillä saman tuotteen pakastaminen uudelleen käsittelemättömänä huonontaa sen ominaisuuksia.
- ▶ Älä sijoita pakastinosastoon kerralla erittäin suuria määriä tuoretta ruokaa. Tarkista pakastimen pakastuskapasiteetti – katso TEKNISET TIEDOT tai tiedot tyyppikilvestä.
- ▶ Ruokaa voidaan säilyttää pakastimessa vähintään  $-18^{\circ}\text{C}$ :een lämpötilassa 2–12 kuukautta. Säilytysajan pituus riippuu pakastettavasta ruuasta (esimerkiksi liha: 3–12 kuukautta, vihannekset: 6–12 kuukautta).
- ▶ Kun pakastat tuoreita elintarvikkeita, vältä niiden joutumista kosketuksiin jo pakastettujen elintarvikkeiden kanssa. Sulamisvaara!

## Kun säilytät kaupallisesti pakastettuja elintarvikkeita, noudata näitä ohjeita:

Noudata aina valmistajan ohjeita säilytysajan pituudesta. Älä säilytä ruokaa pakastimessa annettuja ohjeita pidempään!

Ostamisen ja pakastimeen laittamisen välinen aika kannattaa elintarvikkeiden laadun säilyttämiseksi pitää mahdollisimman lyhyenä.

Osta pakastettuja elintarvikkeita, joita on säilytetty  $-18\text{ }^{\circ}\text{C}$ :ssa tai sitä alhaisemmassa lämpötilassa.

Vältä ostamasta elintarvikkeita, joiden pakkauksessa on jäätä tai pakkasta. Tämä osoittaa, että tuotteet ovat saattaneet jossakin vaiheessa osittain sulaa ja tämän jälkeen taas jäätyä, mikä huonontaa tuotteiden laatua.

## Vesiautomaatti

Vesiautomaatista voi ottaa viileää juomavettä.

Vesisäiliö on puhdistettava ennen ensimmäistä käyttöä (ks. HOITO JA PUHDISTUS).

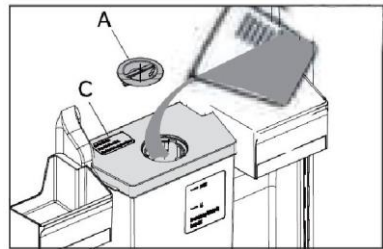
## Vesisäiliön täyttäminen



### VAROITUS!

► Käytä vain juomavettä.

1. Varmista, että vesisäiliö on asetettu oikein paikoilleen (katso VARUSTEET).
2. Pyöritä pyöreää kantta (A) ja nosta se pois. Kaada juomavettä vesisäiliöön (kuva 5.10.1).
3. Täytä vettä vain merkkiin (2,5 l) asti, sillä muussa tapauksessa vettä voi vuotaa yli ovea avattaessa ja suljettaessa.
4. Sulje pyöreä kansi (A), kunnes se napsahtaa paikalleen.



### HUOMAUTUS

1. Laite poistaa Super Cool -toiminnon käytöstä, kun se on ollut päällä 6 tuntia tai kun painat näppäintä K3, kun kuvake E (Super Cool -toiminto) palaa. Toiminnon voi kytkeä pois päältä myös sovelluksesta.
2. Jos jääkaapin lämpötilaa yritetään säätää, kun Super Cool -toiminto on käytössä, kuvake E (Super Cool -toiminto) vilkkuu sen merkiksi, että tätä toimintoa ei voida suorittaa.



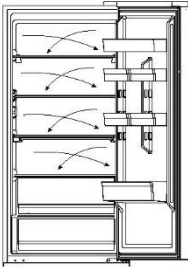
### Energiansäästövinkejä

- ▶ Varmista, että laite on tuuletettu kunnolla (katso ASENNUK).
- ▶ Älä asenna laitetta suoraan auringonvaloon tai lämmönlähteiden läheisyyteen (esim. uunit, lämmittimet).
- ▶ Älä laske laitteen lämpötilaa tarpeettoman alhaiseksi. Mitä kylmempi laitteen sisäilma on, sitä enemmän energiaa laite kuluttaa.
- ▶ SUPER FREEZE -toiminnon kaltaiset toiminnot kuluttavat enemmän energiaa.
- ▶ Jäähdytä lämmin ruoka ennen kuin laitat sen laitteeseen.
- ▶ Avaa laitteen ovea mahdollisimman vähän ja pidä sitä auki mahdollisimman lyhyesti.
- ▶ Älä täytä laitetta liikaa, jotta ilman kiertäminen ei esty.
- ▶ Vältä ilmaa elintarvikepakkausten sisällä.
- ▶ Pidä oven tiivisteet puhtaina, jotta ovi sulkeutuu aina oikein.
- ▶ Sulata pakastetut elintarvikkeet jääkaapissa tai käytä My Zone -laatikon D-Frost-toimintoa.
- ▶ Energiaa säästävän kokoonpano edellyttää, että laitteen laatikko, ruokalaatikko ja hyllyt pidetään tehdasasetuksissa, ja että elintarvikkeet sijoitetaan siten, että ne eivät tuki ilmakehän aukkoa.



## Huomautus

Eri malleista johtuen tuotteessasi ei ehkä ole kaikkia seuraavia ominaisuuksia. Katso kappale Tuotekuvaus.I.

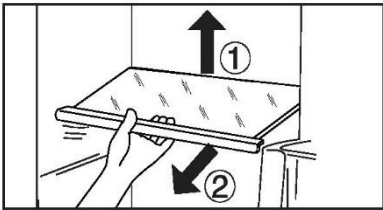


### Moni-ilmavirtaus

Jääkaappi on varustettu moni-ilmavirtausjärjestelmällä, jolla viileää ilmaa virtaa jokaisella hyllytasolla. Tämä auttaa säilyttämään tasaisen lämpötilan ja pitämään ruuan tuoreena pidempään.

### Säädettävät hyllyt

1. Hyllyjen korkeutta voidaan säätää varastointitarpeidesi mukaan.
2. Jos haluat siirtää hyllyä, poista se ensin nostamalla sen takareunaa ① ja vetämällä se ulos ②.
3. Asenna se uudelleen asettamalla se molemmin puolin oleviin korvakkeisiin ja työntämällä se takamaiseen asentoon, kunnes hyllyn takaosa on kiinnitetty sivuilla oleviin aukkoihin



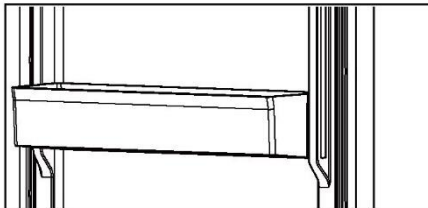
## Huomautus

Varmista, että hyllyn kaikki kulmat ovat tasaisesti.

### Irrotettava ovihylly

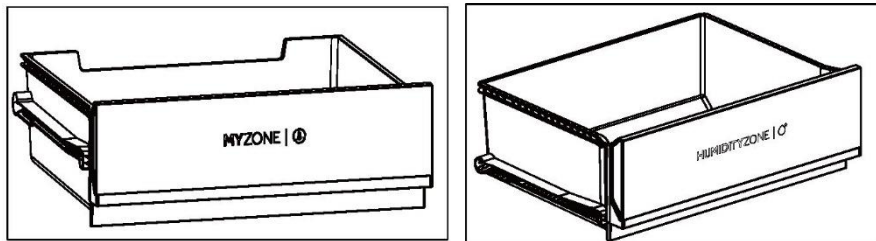
Ovihylly voidaan poistaa puhdistusta varten:

Aseta kädet hyllyn kummallekin sivulle, nosta hyllyä ylöspäin (1) ja vedä se ulos (2). Voit asettaa ovihyllyn takaisin paikalleen toistamalla edellä mainitut vaiheet päinvastaisessa järjestyksessä.



## My Zone -laatikko

Saat lisätietoja My Zone - osaston käytöstä ja asetuksista kohdasta KÄYTTÖ (My Zone).



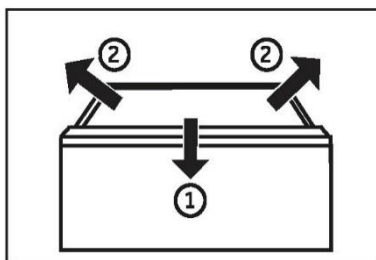
## Humidity Zone -laatikko

Tässä osastossa jääkaappi säätelee kosteustasoa automaattisesti järjestelmä ja se sopii hedelmien, vihannesten, salaattien jne. säilytykseen.

## Irrotettava laatikko

Poista laatikko jääkaapista tai pakastimesta vetämällä ulos mahdollisimman paljon (1), nostamalla ja poistamalla (2).

Voit asettaa laatikon takaisin paikalleen toistamalla edellä mainitut vaiheet päinvastaisessa järjestyksessä.



## Pakastinlaatikko

Pakastimen laatikko voidaan vetää kokonaan ulos. Ne on asennettu kevyesti liikkuvaan teleskoopikiskoon. Tämän ansiosta pakastimen täyttäminen ja ruuan ottaminen pakastimesta on erittäin helppoa ja kätevää. Oven automaattisen sulkeutumismekanismin ansiosta käsittely on helppoa ja voit säästää energiaa.

**VAROITUS!**

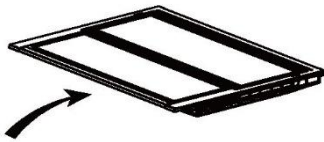
Älä ylikuormita laatikoita: Kunkin laatikon enimmäiskuorma: 35 kiloa!

**Valo**

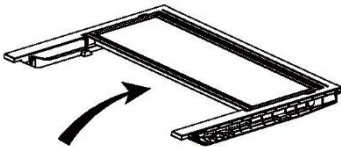
LED-sisävalo syttyy, kun ovi avataan. Laitteen mitkään asetukset eivät vaikuta valojen toimintaan.

**Taitettavat hyllyt**

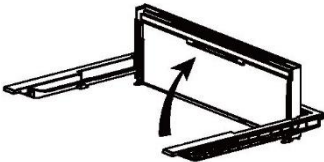
Taitettavien hyllyjen ansiosta hyllyille voidaan asettaa korkeita pulloja tai esineitä. Hyllyjä voidaan taittaa kaksinkerroin niiden takaosasta päin, jolloin alemman hyllyn käytettävissä oleva tila kasvaa korkeussuunnassa. Hylly voidaan taittaa noudattamalla vaiheita 1-3. Jos haluat poistaa taitokset, noudata ohjeita päinvastaisessa järjestyksessä.



Vaihe 1: Työnnä hyllyn etuosaa hitaasti kohti takareunaa.



Vaihe 2: Työnnä hylly hitaasti pystyasentoonsa.



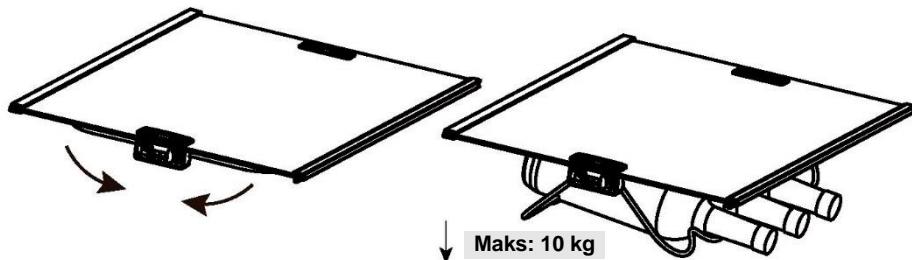
Vaihe 3: Hylly on pystysuorassa. Tämä säästää tilaa.

## Taitettava pulloteline

Normaalissa käytössä

1. Vedä pullotelineen kannattimet alas.
2. Aseta pullot telineeseen.

Kun telinettä ei käytetä, se voidaan taittaa takaisin tilan säästämiseksi.



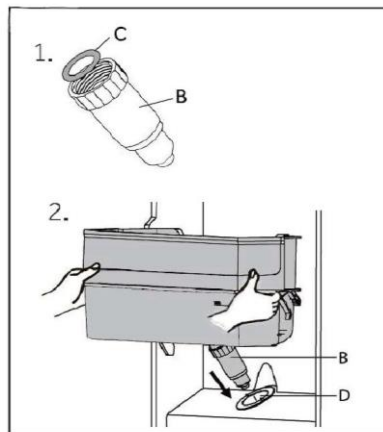
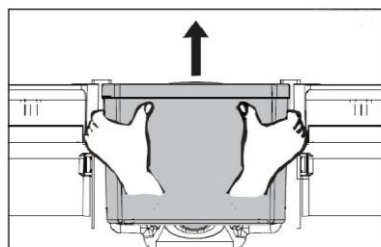
## Vesisäiliö

### Poista vesisäiliö

Vesisäiliö voidaan irrottaa puhdistamista varten ja asentaa uudelleen paikalleen samalla tavalla kuin ovitelineet.

### Aseta vesisäiliö paikalleen

1. Varmista, että annostelijan nokka (B) on tiukasti kiinni vesisäiliössä ja että valkoinen O-rengas (C) on paikallaan.
2. Aseta vesisäiliö siten, että annostelijan nokka (B) mahtuu oven (D) aukkoon.



## Huomautus

- ▶ Varmista, että nokka on tiukasti kiinni vesisäiliössä ja valkoinen O-rengas (C) on paikallaan.
- ▶ Liitännästä voi tippua vettä, jos vesisäiliötä ei ole asennettu oikein.
- ▶ Säiliön vahingoittumisen välttämiseksi älä käytä liiallista voimaa vesisäiliön irrottamiseen tai asentamiseen.



**VAROITUS!**

Irrota laite pistorasiasta tai virtalähteestä ennen puhdistusta.

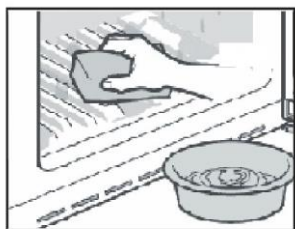
**Puhdistus**

Puhdista laite, kun ruokaa on varastoituna vain vähän tai ei lainkaan.

Laite on puhdistettava joka neljän viikon välein. Tämä takaa hyvät ylläpitorutiinit ja ehkäisee ruokien pilaantumisen ja siitä johtuvat pahat hajut.

**VAROITUS!**

- ▶ Älä puhdista laitetta käyttämällä kovia harjoja, teräsharjoja, pesuainejauhetta, bensiiniä, amyylisetaattia, asetonia ja vastaavia orgaanisia liuoksia tai happamia tai emäksisiä liuoksia. Vältä vauriot puhdistamalla erityisellä jääkaapin pesuaineella.
- ▶ Älä suihkuta tai huuhtele laitetta puhdistuksen aikana.
- ▶ Älä käytä vesisuihkua tai höyryä laitteen puhdistamiseen.
- ▶ Älä puhdista kylmiä lasihyllyjä kuumalla vedellä. Nopeat lämpötilanmuutokset voivat aiheuttaa lasin rikkoutumisen.
- ▶ Älä koske pakastimen säilytyslokeroon sisäpintaa etenkin käsin, koska kädet saattavat jäätyä pintaan kiinni.
- ▶ Tarkista pakastettujen elintarvikkeiden kunto, kun lämmität niitä.



- ▶ Pidä oven tiiviste aina puhtaana.
- ▶ Puhdista laitteen sisäpinnat ja kotelo haalealla vedellä ja neutraalilla pesuaineella kostutetulla sienellä.
- ▶ 1. Pese jääkaapin sisä- ja ulkopuoli, mukaan lukien oven tiiviste, ovetilene, lasihyllyt, laatikot ja niin edelleen, pehmeällä pyyhkeellä tai sienellä, joka on kastettu lämpimään veteen (voit lisätä neutraalia pesuainetta lämpimään veteen).
- ▶ 2. Jos nestettä on vuotanut jääkaappiin, poista kaikki likaantuneet osat, huuhtele juoksevalla vedellä, kuivaa ja aseta takaisin jääkaappiin.
- ▶ 3. Jos jääkaappiin on valunut kermaa (tai esimerkiksi sulanutta jäätelöä), poista kaikki likaantuneet osat, laita lämpimään veteen (noin 40 °C) joksikin aikaa, huuhtele juoksevalla vedellä, kuivaa ja aseta takaisin jääkaappiin.
- ▶ 4. Jos jokin pieni osa tai komponentti juuttuu jääkaapin sisälle (hyllyjen tai laatikoiden väliin), poista se pienellä pehmeällä harjalla. Jos et saa poistettua osaa itse, ota yhteyttä Haierin huoltoon.
- ▶ Huuhtele ja kuivaa pehmeällä liinalla.
- ▶ Älä pese laitteen mitään osia astianpesukoneessa.
- ▶ Odota vähintään 5 minuuttia ennen kuin käynnistät laitteen uudelleen, sillä usein tapahtuvat uudelleenkäynnistykset voivat vahingoittaa kompressoria.

### Sulatus

Jääkaappi ja pakastinosasto sulatetaan automaattisesti, manuaalinen sulatus ei ole tarpeen.

### LED-lamppujen vaihtaminen



#### **VAROITUS!**

Älä vaihda LED-lamppua itse, sen saa vaihtaa vain valmistaja tai valtuutettu huoltoedustaja.

Valaisimissa on LED-valonlähde, jolla on alhainen energiankulutus ja pitkä käyttöikä. Jos havaitset poikkeavuuksia, ota yhteyttä asiakaspalveluun. Katso **ASIAKASPALVELU**.

Lamppujen tekniset tiedot:

| Osa                        | LED-lamppu      |
|----------------------------|-----------------|
| Jännite: V                 | 12 V            |
| Suurin teho watteina       | 1,5 W           |
| Tekniset tiedot: LED       | Valkoinen, 2835 |
| LED-energiatehokkuusluokka | G               |
| Käyttölämpötila            | -40-80 °C       |

### **Jos laitetta ei käytetä pitkähköön aikaan**

Jos laitetta ei käytetä pitkään aikaan, etkä käytä Holiday-toimintoa jääkaapissa:

Poista ruoka jääkaapista.

Irrota virtapistoke.

Puhdista laite edellä kuvatulla tavalla.

Pidä ovet auki estääksesi epämiellyttävien hajujen muodostumisen.



#### **Huomautus**

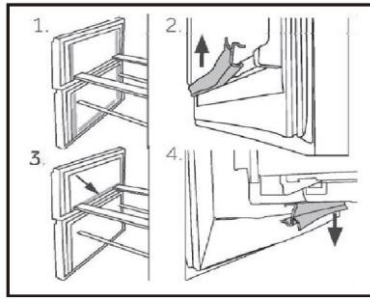
Sammuta laite vain, jos se on ehdottoman välttämätöntä.

## Irrotettavat ovien lisätiivisteet

Pakastimen ylä- ja alalaatikoissa on kuusi lisäoviivisteettä.

1. Paikanna viisi ohjeessa mainittua oviivisteettä pakastimen ylä- ja alalaatikoista.
2. Varmista, että tiivisteiden taivutetut osat osoittavat kiinnittämisen aikana sisäänpäin.
3. Paikanna ylemmän laatikon alempi tiiviste ohjeiden mukaisesti.
4. Varmista, että tämän tiivisteiden taivutettu osa osoittaa kiinnittämisen aikana alaspäin.

Saat nämä tiivisteet sekä pyöröoven/laatikon tiivisteet asiakaspalvelun kautta (katso takuukortti).



## Laitteen siirtäminen

1. Poista kaikki elintarvikkeet ja irrota virtajohto seinäpistokkeesta.
2. Kiinnitä jääkaapin ja pakastimen hyllyt ja muut liikkuvat osat teipillä.
3. Älä kallista jääkaappia yli 45° kulmaan jäähdytysjärjestelmän vahingoittumisen välttämiseksi.

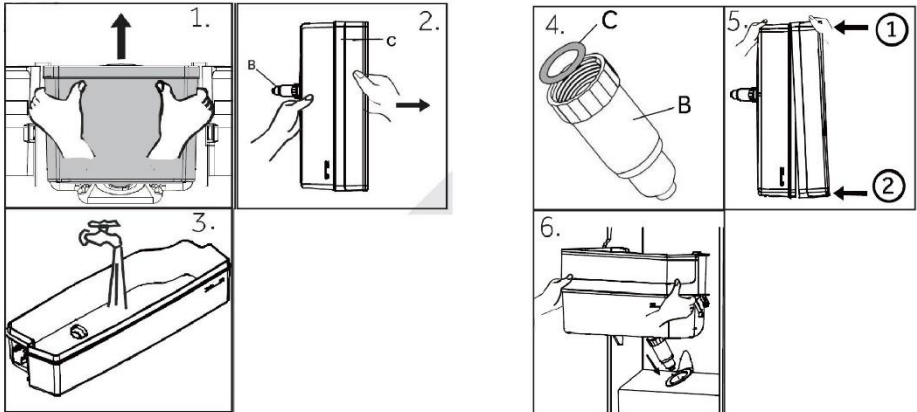


### **VAROITUS!**

- ▶ Älä nosta laitetta kahvoista.
- ▶ Älä koskaan aseta laitetta vaakasuoraan maahan.

### Vesisäiliön puhdistaminen

- Poista vesisäiliö laitteesta.
- Irrota kansi (C) ja kierrä annostelijan nokka (B) varovasti irti.
- Puhdista vesisäiliö ja annostelijan nokka lämpimällä juoksevilla vedellä ja nestemäisellä astianpesuaineella. Varmista, että kaikki saippua on huuhdeltu pois.
- Asenna annostelunokka (B) ja varmista, että se on tiukasti kiinni vesisäiliössä ja että valkoinen O-rengas (C) on paikallaan.
- Pistä kansi paikalleen painamalla sitä ensin säiliön toista sivua ja sitten toista sivua vasten. Tarkista, että vesisäiliö ja kansi on koottu kokonaan.
- Laita säiliö laitteen sisälle. Varmista, että annostelijan nokka on asetettu oikein oven reikään.



### Huomautus

- ▶ Liitännästä voi tippua vettä, jos vesisäiliötä ei ole asennettu oikein.
- ▶ Säiliön vahingoittumisen välttämiseksi älä käytä liiallista voimaa vesisäiliön irrottamiseen tai asentamiseen.

Monet ongelmat voidaan ratkaista itse ilman erityistä asiantuntemusta. Tarkista ongelmatilanteessa ensin kaikki mahdolliset ratkaisut ja noudata alla olevia ohjeita, ennen kuin otat yhteyttä myyntipalveluumme. Katso ASIAKASPALVELU.



**VAROITUS!**

- ▶ Kytke laite pois päältä ja irrota verkkopistoke verkkopistorasiasta ennen huoltotoimia.
- ▶ Sähkölaitteita saavat huoltaa vain pätevät sähköasiantuntijat, koska virheelliset korjaukset voivat aiheuttaa huomattavia välillisiä vaurioita.
- ▶ Jos virtajohto on vaurioitunut, valmistajan, sen huoltoedustajan tai vastaavan ammattitaitoisen henkilön on vaihdettava se vaaran välttämiseksi.



**Vianmäärittystaulukko**

| Ongelma                                                   | Mahdollinen syy                                                            | Mahdollinen ratkaisu                                                                                                                        |
|-----------------------------------------------------------|----------------------------------------------------------------------------|---------------------------------------------------------------------------------------------------------------------------------------------|
| Kompressori ei toimi.                                     | Pistoke ei ole liitetty seinäpistorasiaan.                                 | Liitä pistoke seinäpistorasiaan.                                                                                                            |
|                                                           | Laite on huurteenpoistotilassa.                                            | Tämä on normaalia automaattisessa huurteenpoistossa.                                                                                        |
| Laite käy huomattavan usein tai pitkiä aikoja kerrallaan. | Sisä- tai ulkolämpötila on liian korkea.                                   | Tässä tilanteessa on normaalia, että laite käy tavallista pidempään.                                                                        |
|                                                           | Laitteen virta on ollut jokin aikaa pois kytkettynä.                       | Laitteen täydellinen jäähtyminen kestää yleensä 8–12 tuntia.                                                                                |
|                                                           | Laitteen laatikko tai ovi ei ole tiiviisti kiinni.                         | Sulje ovi/laatikko ja varmista, että laite on sijoitettu tasaiselle alustalle ja etteivät elintarvikkeet tai astia estä oven sulkeutumista. |
|                                                           | Ovea/laatikkoa on avattu liian usein tai liian pitkään.                    | Älä avaa ovea/laatikkoa liian usein.                                                                                                        |
|                                                           | Pakastimen lämpötila-asetus on liian alhainen.                             | Aseta lämpötila korkeammaksi, kunnes jääkaapin lämpötila on tyydyttävä. Jääkaapin lämpötilan vakiintuminen kestää 24 tuntia.                |
|                                                           | Oven/laatikon tiiviste on likainen, kulunut, hajennut tai yhteensopimaton. | Puhdista oven/laatikon tiiviste tai pyydä asiakaspalvelusta apua sen vaihtamiseksi.                                                         |
|                                                           | Vaadittua ilmankiertoa ei voida taata.                                     | Varmista riittävä ilmanvaihto.                                                                                                              |

## Vianetsintä

| Ongelma                                                                            | Mahdollinen syy                                                           | Mahdollinen ratkaisu                                                                     |
|------------------------------------------------------------------------------------|---------------------------------------------------------------------------|------------------------------------------------------------------------------------------|
| Jääkaappi on sisältä likainen ja/tai haisee pahalle.                               | Jääkaapin sisätilat on puhdistettava.                                     | Puhdista jääkaappi sisältä.                                                              |
|                                                                                    | Jääkaapissa säilytetään voimakkaan hajuista ruokaa.                       | Pakkaa ruoka tiiviisti.                                                                  |
| Laitteen sisällä ei ole tarpeeksi kylmää.                                          | Lämpötila on asetettu liian korkeaksi.                                    | Aseta lämpötila uudelleen.                                                               |
|                                                                                    | Liian lämmintä ruokaa on varastoitu.                                      | Jäähdytä elintarvikkeet ja ruuat aina ennen niiden lisäämistä.                           |
|                                                                                    | Ruokaa on varastoitu kerralla liikaa.                                     | Lisää aina pieniä määriä ruokaa.                                                         |
|                                                                                    | Elintarvikkeet ovat liian lähellä toisiaan.                               | Jätä aukko useiden elintarvikkeiden välille, jolloin ilma pääsee virtaamaan.             |
|                                                                                    | Laitteen laatikko tai ovi ei ole tiiviisti kiinni.                        | Sulje ovi/laatikko.                                                                      |
|                                                                                    | Ovea/laatikkoa on avattu liian usein tai liian pitkään.                   | Älä avaa ovea/laatikkoa liian usein.                                                     |
| Laitteen sisällä on liian kylmä.                                                   | Lämpötila on asetettu liian alhaiseksi.                                   | Aseta uusi lämpötila.                                                                    |
|                                                                                    | Super Freeze -toiminto on käynnistetty tai se on käynnissä liian pitkään. | Kytke Super Freeze -toiminto pois päältä.                                                |
| Jääkaappiosaston sisäpuolelle muodostuu kosteutta.                                 | Ilmasto on liian lämmin ja liian kostea.                                  | Säädä lämpötilaa kylmemmälle.                                                            |
|                                                                                    | Laitteen laatikko tai ovi ei ole tiiviisti kiinni.                        | Sulje ovi/laatikko.                                                                      |
|                                                                                    | Ovea/laatikkoa on avattu liian usein tai liian pitkään.                   | Älä avaa ovea/laatikkoa liian usein.                                                     |
|                                                                                    | Elintarvikkeita tai nesteitä ei säilytetä suljetuissa astioissa.          | Anna kuumien ruokien jäähtyä huoneenlämmössä ja peitä ruoat ja nesteet.                  |
| Jääkaapin kosteus kerääntyy pinnan ulkopuolelle tai ovien/oven ja laatikon väliin. | Ilmasto on liian lämmin ja liian kostea.                                  | Tämä on normaalia kosteissa ilmastoissa ja tilanne muuttuu, kun kosteusprosentti laskee. |
|                                                                                    | Ovi/laatikko ei ole kunnolla kiinni.                                      | Varmista, että ovi/laatikko on suljettu kunnolla.                                        |



| Ongelma                                                  | Mahdollinen syy                                                             | Mahdollinen ratkaisu                                                                     |
|----------------------------------------------------------|-----------------------------------------------------------------------------|------------------------------------------------------------------------------------------|
| Pakastinosastossa on paljon jäätä ja huurretta.          | Tuotteita ei ole pakattu asianmukaisesti.                                   | Pakkaa aina kaikki tuotteet huolellisesti.                                               |
|                                                          | Laitteen laatikko tai ovi ei ole tiiviisti kiinni.                          | Sulje ovi/laatikko.                                                                      |
|                                                          | Ovea/laatikkoa on avattu liian usein tai liian pitkään.                     | Älä avaa ovea/laatikkoa liian usein.                                                     |
|                                                          | Oven/laatikon tiiviste on likainen, kulunut, haljennut tai yhteensopimaton. | Puhdista oven/laatikon tiiviste tai vaihda se uuteen.                                    |
|                                                          | Jokin sisäpuolella estää ovea/laatikkoa sulkeutumasta kunnolla.             | Aseta hyllyt, ovitelineet tai sisäiset laatikot uudelleen, jotta ovi/laatikko sulkeutuu. |
| Laite pitää epänormaalia ääntä.                          | Laite ei sijaitse tasaisella lattialla.                                     | Säädä jalat jotta laite on vaakatasossa.                                                 |
|                                                          | Laite koskettaa jotain sen ympärillä olevaa esinettä.                       | Poista esineet laitteen ympäriltä.                                                       |
| Kuuluu hiljaista ääntä, joka muistuttaa virtaavaa vettä. | Tämä on normaalia.                                                          | /                                                                                        |
| Kuulet hälytysäänen.                                     | Jääkaapin säilytysosaston ovi on auki.                                      | Sulje ovi tai sammuta hälytys manuaalisesti.                                             |
| Kuulet heikkoa huminaa.                                  | Antikondensoiva järjestelmä on toiminnassa.                                 | Tämä ehkäisee kondensoitumista ja on normaalia.                                          |
| Sisävalaistus tai jäähdytysjärjestelmä ei toimi.         | Pistoketta ei ole liitetty seinäpistorasiaan.                               | Liitä pistoke seinäpistorasiaan.                                                         |
|                                                          | Virtalähde ei ole ehjä.                                                     | Tarkista huoneen sähkönsyöttö. Soita paikalliseen sähköyhtiöön!                          |
|                                                          | LED-lamppu on rikki.                                                        | Ota yhteyttä huoltoon lampun vaihtamiseksi.                                              |
| Kaapin sivut ja oviliuska lämpenevät.                    | Tämä on normaalia.                                                          | /                                                                                        |
| Vedenjakelulaitteen nokasta ei tule vettä.               | Lukitusta ei ole poistettu.                                                 | Poista lukitus käytöstä.                                                                 |

### Sähkökatkos

- ▶ Sähkökatkoksen sattuessa ruoan pitäisi pysyä turvallisen kylmänä noin 13 tuntia. Noudata seuraavia ohjeita erityisesti kesäaikaan, mikäli sähkökatkos kestää kauan.
- ▶ Vältä oven/laatikon avaamista.
- ▶ Älä laita laitteeseen uusia elintarvikkeita sähkökatkoksen aikana.
- ▶ Jos sähkökatkoksesta ilmoitetaan etukäteen ja keskeytyksen kesto on yli 13 tuntia, tee jääkuutioita ja laita se astiassa jääkaapin ylähyllylle.
- ▶ Elintarvikkeet on tarkastettava välittömästi sähkökatkoksen loputtua.
- ▶ Koska lämpötila jääkaapissa nousee sähkökatkoksen tai muun häiriön aikana, elintarvikkeiden säilytysaika pienenee ja laatu kärsii. Kaikki sulaneet elintarvikkeet tulisi terveystarkistuksen välttämiseksi joko syödä tai kypsentää kuumentamalla ja pakastaa uudelleen (mikäli mahdollista) pikaisesti.



### Huomautus

#### Muistitoiminto sähkökatkoksen aikana

Kun sähkövirta on palautunut, laite jatkaa ennen sähkökatkoa voimassa olleilla asetuksilla.

Voit ottaa yhteyttä tekniseen tukeen siirtymällä Internet-sivustoomme osoitteessa: <https://corporate.haier-europe.com/en/>

Valitse websites-kohdassa tuotemerkkisi ja maasi. Siirryt sivulle, josta löydät puhelinnumeron ja muita tapoja pyytää teknistä tukea.



## Purkaminen pakkauksesta



### VAROITUS!

- ▶ Laitte on painava. Sen käsittelyyn tarvitaan aina vähintään kaksi henkilöä.
- ▶ Pidä kaikki pakkausmateriaalit poissa lasten ulottuvilta ja hävitä ne ympäristöystävällisesti.
- ▶ Ota laite pois pakkauksesta.
- ▶ Poista kaikki pakkausmateriaalit.

## Ympäristön olosuhteet

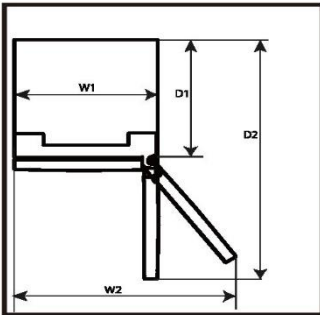
Huoneen lämpötilan tulisi aina olla 10–43° C, koska huoneen lämpötila voi vaikuttaa laitteen sisälämpötilaan ja sen energiankulutukseen. Älä asenna laitetta lähelle muita lämpöä tuottavia laitteita (uunit, jääkaapit) ilman asianmukaista lämmöneristystä.

## Oven kääntäminen

Ennen kuin laite asennetaan pysyvästi, tarkista oven saranan oikea asento. Katso tarvittaessa kohta OVEN KÄÄNTÄMINEN

## Tilantarve

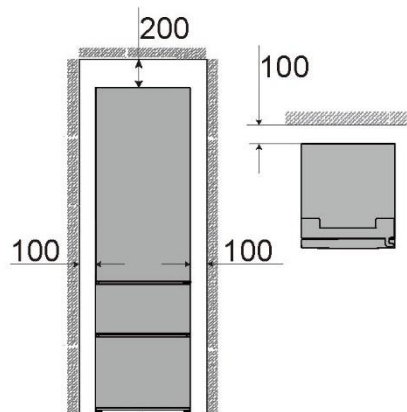
Tarvittava tila ovea avattaessa:



| Laitteen leveys millimetreinä |     | Laitteen syvyys millimetreinä |       |
|-------------------------------|-----|-------------------------------|-------|
| W1                            | W2  | D1                            | D2    |
| 595                           | 918 | 600                           | 1 220 |

## Tuuletusaukon poikkileikkaus

Laitteen turvallisuussyistä riittävän ilmanvaihdon aikaansaamiseksi on noudatettava vaadittujen ilmanvaihdon poikkileikkausten tietoja.



### Oven kääntäminen

Ennen kuin kytket laitteen virtalähteeseen, tarkista, onko oven avautuminen vaihdettava oikealta (toimitettuna) vasemmalle, jos asennuspaikka ja käytettävyyys sitä edellyttävät.



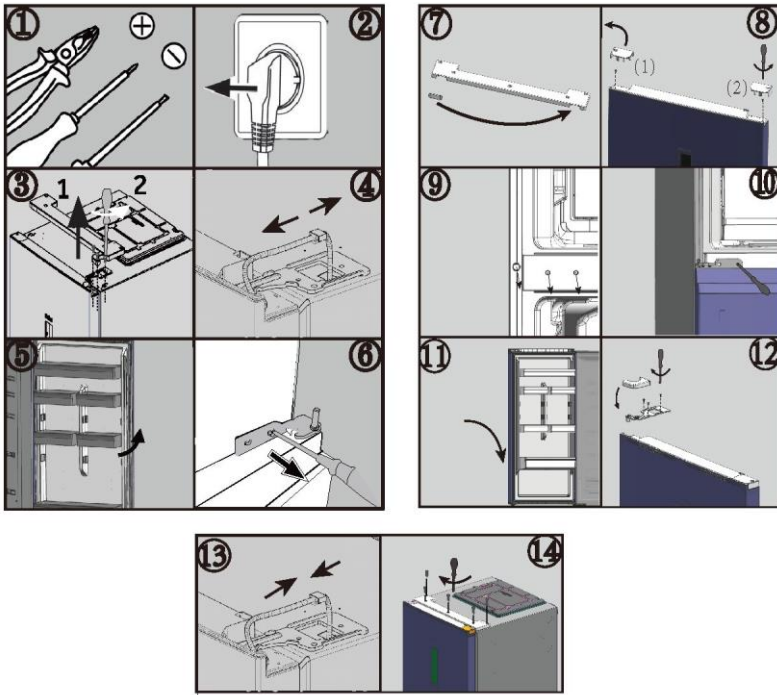
#### **VAROITUS!**

- ▶ Laite on painava. Oven kääntämiseen tarvitaan kaksi henkilöä.
- ▶ Irrota laite pistorasiasta ennen kääntämistä.
- ▶ Estä jäähdytysjärjestelmän vaurioituminen kallistamalla laitetta korkeintaan 45 °C.

### Kokoonpanovaiheet

1. Varaa käyttöön tarvittavat työkalut.
2. Irrota laite pistorasiasta.
3. Irrota ylempi saranasuojus (1) ja kierrä ylempi sarana (kolme ruuvia) irti oikealta puolelta (2).
4. Irrota liitântäkaapeli.
5. Nosta irtotonainen jääkaapin ovi varovasti irti alasarana.
6. Irrota ylemmän oven alempi sarana.
7. Irrota etupaneelin pieni kansi vasemmalta ja siirrä se oikealle.
8. Käännä ovi ylösalaisin ja irrota kansi (1). Ota uusi kansi (2) pussista ja ruuvaa ne vastakkaiselle puolelle.
9. Vaihda suojatulppien ja sivulla olevan ruuvin sijaintia.
10. Ruuvaa alasarana laitteen vasemmalle puolelle.
11. Nosta ylempi ovi varovasti alempaan saranaan. Varmista, että nivel sopii alaoven saranasynteriin.
12. Ota uusi yläsarana ja saranan suojus esiin lisävarustepussista. Vie liitântäkaapeli ylemmän saranan läpi ja kiinnitä ylempi sarana kolmella ruuvilla laitteen vasemmalle puolelle. Laita saranan suojus saranan päälle.
13. Kytke liitântäkaapeli.
14. Vaihda etupaneeli ja kiinnitä se viidellä ruuvilla.

Tarkista oven vaihdon jälkeen, että oven tiivisteet ovat oikein kotelossa ja että kaikki ruuvit on kiristetty hyvin.



### Ympäristön lämpötilat

Laajennettu lauhkea: kylmälaite toimii suunnitellusti, kun ympäristön lämpötila on 10–32 °C.

Lauhkea: kylmälaite toimii suunnitellusti, kun ympäristön lämpötila on 16–32 °C.

Subtrooppinen: kylmälaite toimii suunnitellusti, kun ympäristön lämpötila on 16–38 °C.

Trooppinen: kylmälaite toimii suunnitellusti, kun ympäristön lämpötila on 16–43 °C.

## Tuoteseloste asetuksen EU N:o 2019/2016 mukaisesti

Vakiotestitulosten perusteella 24 tunnin ajalta. Todellinen energiankulutus riippuu siitä, miten laitetta käytetään ja missä se sijaitsee.

| Tavaramerkki                                                                               | Haier              | Haier              | Haier              |
|--------------------------------------------------------------------------------------------|--------------------|--------------------|--------------------|
| Mallitunniste                                                                              | HTW5618DN*         | HTW5620DN*         | HTW5618DW*         |
| Mallin luokka                                                                              | Jääkaappi-pakastin | Jääkaappi-pakastin | Jääkaappi-pakastin |
| Energiätehokkuusluokka                                                                     | D                  | D                  | D                  |
| Vuotuinen energiankulutus (kWh/vuosi)                                                      | 217                | 226                | 216                |
| Tilavuus, jääkaappi (l)                                                                    | 201                | 255                | 198                |
| Tilavuus, pakastin (l)                                                                     | 125                | 125                | 125                |
| Tilavuus, My Zone (l)                                                                      | 34                 | 34                 | 34                 |
| Tähtiluokitus                                                                              | 4                  | 4                  | 4                  |
| Huurteeton järjestelmä                                                                     | Kyllä              | Kyllä              | Kyllä              |
| Turvallinen virrankatkaisu (h)/ lämpötilan nousuaika (h)                                   | 13                 | 13                 | 13                 |
| Pakastuskapasiteetti (kg / 24 h)                                                           | 10                 | 10                 | 10                 |
| Ilmastoluokka<br>Tämä laite on tarkoitettu käytettäväksi ympäristön lämpötilassa 10–43 °C. | SN/N/ST/T          | SN/N/ST/T          | SN/N/ST/T          |
| Melupäästöluokka ja äänitaso ilmassa (dB(A) re 1 pW)                                       | 35                 | 35                 | 35                 |

|                                                                                            |                    |                    |
|--------------------------------------------------------------------------------------------|--------------------|--------------------|
| Tavaramerkki                                                                               | Haier              | Haier              |
| Mallitunniste                                                                              | HTW5618CN*         | HTW5620CN*         |
| Mallin luokka                                                                              | Jääkaappi-pakastin | Jääkaappi-pakastin |
| Energiätehokkuusluokka                                                                     | C                  | C                  |
| Vuotuinen energiankulutus (kWh/vuosi)                                                      | 173                | 181                |
| Tilavuus, jääkaappi (l)                                                                    | 201                | 255                |
| Tilavuus, pakastin (l)                                                                     | 125                | 125                |
| Tilavuus, My Zone (l)                                                                      | 34                 | 34                 |
| Tähtiluokitus                                                                              | 4                  | 4                  |
| Huurteeton järjestelmä                                                                     | Kyllä              | Kyllä              |
| Turvallinen virrankatkaisu (h)/lämpötilan nousuaika (h)                                    | 13                 | 13                 |
| Pakastuskapasiteetti (kg / 24 h)                                                           | 10                 | 10                 |
| Ilmastoluokka<br>Tämä laite on tarkoitettu käytettäväksi ympäristön lämpötilassa 10–43 °C. | SN/N/ST/T          | SN/N/ST/T          |
| Melupäästöluokka ja äänitaso ilmassa (dB(A) re 1pW)                                        | 35                 | 35                 |

## Tuoteseloste asetuksen EU N:o 2019/2016 mukaisesti

Vakiotestitulosten perusteella 24 tunnin ajalta. Todellinen energiankulutus riippuu siitä, miten laitetta käytetään ja missä se sijaitsee.

| Tavaramerkki                                                                               | Haier              | Haier              | Haier              |
|--------------------------------------------------------------------------------------------|--------------------|--------------------|--------------------|
| Mallitunniste                                                                              | HDPW5618DN*        | HDPW5620DN*        | HDPW5618DW*        |
| Mallin luokka                                                                              | Jääkaappi-pakastin | Jääkaappi-pakastin | Jääkaappi-pakastin |
| Energiätehokkuusluokka                                                                     | D                  | D                  | D                  |
| Vuotuinen energiankulutus (kWh/vuosi)                                                      | 214                | 220                | 214                |
| Tilavuus, jääkaappi (l)                                                                    | 201                | 255                | 198                |
| Tilavuus, pakastin (l)                                                                     | 117                | 117                | 117                |
| Tilavuus, My Zone (l)                                                                      | 34                 | 34                 | 34                 |
| Tähtiluokitus                                                                              | 4                  | 4                  | 4                  |
| Huurteeton järjestelmä                                                                     | Kyllä              | Kyllä              | Kyllä              |
| Turvallinen virrankatkaisu (h)/ lämpötilan nousuaika (h)                                   | 13                 | 13                 | 13                 |
| Pakastuskapasiteetti (kg / 24 h)                                                           | 10                 | 10                 | 10                 |
| Ilmastoluokka<br>Tämä laite on tarkoitettu käytettäväksi ympäristön lämpötilassa 10–43 °C. | SN/N/ST/T          | SN/N/ST/T          | SN/N/ST/T          |
| Melupäästöluokka ja äänitaso ilmassa (dB(A) re 1 pW)                                       | 35                 | 35                 | 35                 |

| Tavaramerkki                                                                               | Haier              | Haier              | Haier              |
|--------------------------------------------------------------------------------------------|--------------------|--------------------|--------------------|
| Mallitunniste                                                                              | HDPW5618CN*        | HDPW5620CN*        | HDPW5620AN*        |
| Mallin luokka                                                                              | Jääkaappi-pakastin | Jääkaappi-pakastin | Jääkaappi-pakastin |
| Energiätehokkuusluokka                                                                     | C                  | C                  | A                  |
| Vuotuinen energiankulutus (kWh/vuosi)                                                      | 171                | 176                | 114                |
| Tilavuus, jääkaappi (l)                                                                    | 201                | 255                | 255                |
| Tilavuus, pakastin (l)                                                                     | 117                | 117                | 120                |
| Tilavuus, My Zone (l)                                                                      | 34                 | 34                 | 34                 |
| Tähtiluokitus                                                                              | 4                  | 4                  | 4                  |
| Huurteeton järjestelmä                                                                     | Kyllä              | Kyllä              | Kyllä              |
| Turvallinen virrankatkaisu (h)/ lämpötilan nousuaika (h)                                   | 13                 | 13                 | 16                 |
| Pakastuskapasiteetti (kg / 24 h)                                                           | 10                 | 10                 | 10                 |
| Ilmastoluokka<br>Tämä laite on tarkoitettu käytettäväksi ympäristön lämpötilassa 10–43 °C. | SN/N/ST/T          | SN/N/ST/T          | SN/N/ST/T          |
| Melupäästöluokka ja äänitaso ilmassa (dB(A) re 1 pW)                                       | 35                 | 35                 | 35                 |

Tekniset lisätiedot

| Mallitunniste        | HTW5618D*                            | HTW5620DN*        | HTW5618CN*        | HTW5620CN*        |
|----------------------|--------------------------------------|-------------------|-------------------|-------------------|
| Kokonaistilavuus (l) | 360<br>(357:<br>HTW5618DWMG<br>(UK)) | 414               | 360               | 414               |
| Jännite / taajuus    | 220-240 V / 50 Hz                    | 220-240 V / 50 Hz | 220-240 V / 50 Hz | 220-240 V / 50 Hz |
| Tulovirta (A)        | 1,4 A                                | 1,4 A             | 1,4 A             | 1,4 A             |
| Pääsulake (A)        | 16 A                                 | 16 A              | 15 A              | 15 A              |
| Jäähdytysneste/määrä | R600a/53G                            | R600a/53G         | R600a/50G         | R600a/50G         |
| Mitat (L/S/K mm)     | 595 / 667 / 1 850                    | 595 / 667 / 2 050 | 595 / 667 / 1 850 | 595 / 667 / 2 050 |

| Mallitunniste        | HDPW5618D*        | HDPW5618DW*       | HDPW5620DN*       |
|----------------------|-------------------|-------------------|-------------------|
| Kokonaistilavuus (l) | 352               | 349               | 406               |
| Jännite / taajuus    | 220-240 / 50 Hz   | 220-240 / 50 Hz   | 220-240 / 50 Hz   |
| Tulovirta (A)        | 1,4 A             | 1,4 A             | 1,4 A             |
| Pääsulake (A)        | 16 A              | 16 A              | 16 A              |
| Jäähdytysneste/määrä | R600a/53G         | R600a/53G         | R600a/53G         |
| Mitat (L/S/K mm)     | 595 / 667 / 1 850 | 595 / 667 / 1 850 | 595 / 667 / 2 050 |



| Mallitunniste            | HDPW5618CN*       | HDPW5620CN*       | HDPW5620AN*       |
|--------------------------|-------------------|-------------------|-------------------|
| Kokonaistilavuus (l)     | 352               | 406               | 409               |
| Jännite / taajuus        | 220-240 / 50 Hz   | 220-240 / 50 Hz   | 220-240 / 50 Hz   |
| Tulovirta (A)            | 1,4 A             | 1,4 A             | 1,4 A             |
| Pääsulake (A)            | 15 A              | 15 A              | 15 A              |
| Jäähdytysneste/<br>määrä | R600a/50G         | R600a/50G         | R600a/50G         |
| Mitat (L/S/K mm)         | 595 / 667 / 1 850 | 595 / 667 / 2 050 | 595 / 667 / 2 050 |

### Standardit ja direktiivit

Tämä tuote täyttää kaikkien sovellettavien EY-direktiivien vaatimukset vastaavilla yhdenmukaistetuilla standardeilla, joissa säädetään CE-merkinnästä.

Suosittellemme Haierin asiakaspalvelua ja alkuperäisten varaosien käyttöä.  
Jos sinulla on ongelmia laitteen kanssa, tarkista ensin osio VIANMÄÄRITYS.

Jos et löydä ratkaisua, ota yhteyttä

- ▶ paikalliseen jälleenmyyjän tai
- ▶ eurooppalaiseen puhelinpalvelukeskukseen (katso alla olevat puhelinnumerot) tai
- ▶ siirtymällä osoitteessa [www.haier.com](http://www.haier.com) kohtaan Service & Support, jossa voit aktivoida palvelupyynnön
- ▶ ja tutustua usein kysytyihin kysymyksiin.

Jos haluat ottaa yhteyttä palveluumme, varmista, että sinulla on seuraavat tiedot saatavilla.

Tiedot löytyvät arvokilvestä.

Malli \_\_\_\_\_

Sarjanumero \_\_\_\_\_

Tarkista myös tuotteen mukana toimitettu takuukortti takuun varalta.

| Eurooppalainen puhelinpalvelukeskus |                 |                                                                                                                     |
|-------------------------------------|-----------------|---------------------------------------------------------------------------------------------------------------------|
| Maa*                                | Puhelinnumero   | Kustannukset                                                                                                        |
| Haier Italy (IT)                    | 199 100 912     |                                                                                                                     |
| Haier Spain (ES)                    | 902 509 123     |                                                                                                                     |
| Haier Germany (DE)                  | 0180 5 39 39 99 | <ul style="list-style-type: none"><li>• 14 snt/min lankapuhelin</li><li>• maks. 42 snt/min matkapuhelin</li></ul>   |
| Haier Austria (AT)                  | 0820 001 205    | <ul style="list-style-type: none"><li>• 14,53 snt/min lankapuhelin</li><li>• maks. 20 snt/min kaikki muut</li></ul> |
| Haier United Kingdom (UK)           | 0333 003 8122   |                                                                                                                     |
| Haier France (FR)                   | 0980 406 409    |                                                                                                                     |



\* Muiden maiden osalta katso [www.haier.com](http://www.haier.com)

Haier Europe Trading S.r.l

Branch UK

Westgate House, Westgate, Ealing

London, W5 1YY

\* Kylmälaitteen takuun kesto:

Vähimmäistakuu on: 2 vuotta EU-maissa, 3 vuotta Turkissa, 1 vuosi Ilossa-Britanniassa, 1 vuosi Venäjällä, 3 vuotta Ruotsissa, 2 vuotta Serbiassa, 5 vuotta Norjassa, 1 vuosi Marokossa, 6 kuukautta Algeriassa, Tunisia ei vaadi lakisääteistä takuuta.

\* Varaosien saatavuus laitteen korjausta varten:

Termostaatteja, lämpötilan tunnistimia, painettuja piirilevyjä ja valonlähteitä on saatavilla varaosina vähintään 7 vuoden ajan sen jälkeen, kun kyseisen mallin viimeinen kappale on tullut myyntiin.

Ovien kädensijat, ovien saranat, alustat ja korit ovat saatavina varaosina vähintään 7 vuoden ajan ja ovitiivisteet vähintään 10 vuoden ajan sen jälkeen, kun kyseisen mallin viimeinen kappale on tullut myyntiin.

\*Lisätietoa tuotteesta saa osoitteesta <https://eprel.ec.europa.eu/> tai skannaamalla laitteen energiamerkissä olevan QR-koodin.

---

|                                    |     |
|------------------------------------|-----|
| Informations sur la sécurité.....  | 348 |
| Utilisation prévue.....            | 354 |
| Description du produit.....        | 355 |
| Panneau de commande.....           | 361 |
| Utilisation.....                   | 362 |
| Utilisation du Wi-Fi.....          | 367 |
| Utilisation.....                   | 368 |
| Conseils d'économie d'énergie..... | 371 |
| Matériel.....                      | 372 |
| Entretien et nettoyage.....        | 376 |
| Dépannage.....                     | 380 |
| Installation.....                  | 384 |
| Données techniques.....            | 387 |
| Service clientèle.....             | 393 |

**Merci d'avoir acheté un produit Haier.**

Veillez lire attentivement ces instructions avant d'utiliser cet appareil. Les instructions contiennent des informations importantes qui vous aideront à mieux comprendre l'appareil et à assurer l'installation, l'utilisation et l'entretien sûrs et appropriés de celui-ci.

Conservez ce manuel dans un endroit pratique afin que vous puissiez toujours vous référer à celui-ci pour une utilisation sûre et appropriée de l'appareil.

Si vous vendez l'appareil, si vous le donnez ou si vous le laissez derrière vous lorsque vous déménagez, assurez-vous de transmettre également ce manuel pour que le nouveau propriétaire puisse se familiariser avec l'appareil et les consignes de sécurité.



## **AVERTISSEMENT : informations importantes sur la sécurité**



## **REMARQUE : Informations générales et conseils**



## **Informations environnementales**



### **Mise au rebut**

Contribuez à protéger l'environnement et la santé humaine. Jetez l'emballage dans les bacs correspondants pour le recycler. Participez au recyclage des déchets d'appareils électriques et électroniques. Ne jetez pas les appareils marqués de ce symbole avec les déchets ménagers. Ramenez le produit à votre déchetterie locale ou contactez votre bureau municipal.



## **AVERTISSEMENT !**

Risque de blessure ou de suffocation !

Les frigorigènes et les gaz doivent être éliminés par un professionnel. Assurez-vous que le tube du circuit réfrigérant n'est pas endommagé avant d'être correctement éliminé. Débranchez l'appareil du secteur. Coupez le câble d'alimentation et jetez-le. Retirez les clayettes et les tiroirs ainsi que le verrou et les joints de la porte, afin d'éviter que les enfants et les animaux domestiques ne se retrouvent enfermés dans l'appareil.

## Avant d'allumer l'appareil pour la première fois, lisez les conseils de sécurité suivants :



### AVERTISSEMENT !

#### Avant la première utilisation

- ▶ Assurez-vous qu'il n'a pas été endommagé pendant le transport.
- ▶ Retirez tous les emballages et gardez-les hors de portée des enfants.
- ▶ Attendez au moins deux heures avant d'installer l'appareil afin de vous assurer que le circuit réfrigérant fonctionne parfaitement.
- ▶ Manipulez toujours l'appareil avec au moins deux personnes parce qu'il est lourd.

#### Installation

- ▶ L'appareil doit être placé dans un endroit bien ventilé. Garantisiez un espace d'au moins 10 cm au-dessus et autour de l'appareil.
- ▶ Ne placez jamais l'appareil dans un endroit humide ou un endroit où il pourrait être éclaboussé d'eau. Nettoyez et séchez les éclaboussures d'eau et les taches avec un chiffon doux et propre.
- ▶ N'installez pas l'appareil en plein soleil ou à proximité de sources de chaleur (par ex. cuisinières, chauffages).
- ▶ Installez et mettez à niveau l'appareil dans une zone adaptée à sa taille et à son utilisation.
- ▶ Maintenez les ouvertures de ventilation situées dans l'appareil ou dans la structure encastrée libres de toute obstruction.
- ▶ Assurez-vous que les informations électriques figurant sur la plaque signalétique sont conformes à l'alimentation électrique. Si ce n'est pas le cas, contactez un électricien.
- ▶ L'appareil est alimenté par une alimentation de 220-240 VCA/50 Hz. Les variations anormales de tension peuvent provoquer l'arrêt de l'appareil ou endommager le régulateur de température ou le compresseur, ou il peut y avoir un bruit anormal lors du fonctionnement. Dans ce cas, un régulateur automatique doit être monté.
- ▶ Utilisez une prise de terre séparée et facile d'accès pour l'alimentation électrique. L'appareil doit être mis à la terre.
- ▶ Uniquement pour le Royaume-Uni : Le câble d'alimentation de l'appareil est équipé d'une fiche 3 pôles (de mise à la terre) qui s'adapte à une prise standard 3 pôles (de mise à la terre). Ne coupez jamais ou ne démontez jamais la troisième broche (mise à la terre). Une fois l'appareil installé, la fiche doit être accessible.
- ▶ N'utilisez pas d'adaptateurs multiprises ni de rallonges.
- ▶ Assurez-vous que le câble d'alimentation n'est pas coincé par le réfrigérateur. Ne marchez pas sur le câble d'alimentation.
- ▶ N'endommagez pas le circuit réfrigérant.
- ▶ Ne placez pas de systèmes multiprises portatifs ou d'alimentations portatives à l'arrière de l'appareil.



## AVERTISSEMENT !

### Utilisation quotidienne

- ▶ Cet appareil peut être utilisé par des enfants âgés de 8 ans et plus et par des personnes ayant des capacités physiques, sensorielles ou mentales réduites, ou connaissant mal l'appareil, s'ils bénéficient d'une surveillance ou reçoivent des instructions concernant l'utilisation de l'appareil de manière sûre et qu'ils comprennent les risques encourus.
- ▶ Les enfants ne doivent pas jouer avec l'appareil.
- ▶ Les enfants âgés de 3 à 8 ans sont autorisés à remplir et vider les appareils de réfrigération, mais ne sont pas autorisés à nettoyer et à installer les appareils de réfrigération.
- ▶ Gardez les enfants de moins de 3 ans à l'écart de l'appareil, à moins de faire l'objet d'une surveillance constante.
- ▶ Le nettoyage et l'entretien ne doivent pas être effectués par des enfants sans surveillance.
- ▶ L'appareil doit être positionné de manière à ce que la fiche soit accessible.
- ▶ Si du gaz réfrigérant ou tout autre gaz inflammable fuit à proximité de l'appareil, fermez la vanne du gaz qui fuit, ouvrez les portes et les fenêtres et ne débranchez pas le câble d'alimentation du réfrigérateur ou de tout autre appareil.
- ▶ Notez que l'appareil est conçu pour fonctionner dans une plage de température ambiante spécifique comprise entre 10 °C et 43 °C. L'appareil peut ne pas fonctionner correctement s'il est laissé pendant une longue période à une température inférieure ou supérieure à la plage indiquée.
- ▶ Ne placez pas d'objets instables (objets lourds, récipients remplis d'eau) sur le dessus du réfrigérateur-congélateur, pour éviter les blessures corporelles causées par une chute ou une électrocution causée par le contact avec de l'eau.
- ▶ Ne tirez pas sur les balconnets. La porte peut être tirée en biais, le porte-bouteilles peut être retiré ou l'appareil risque de basculer.
- ▶ Ouvrez et fermez la porte uniquement à l'aide des poignées. L'écart entre la porte et le compartiment est très étroit. Ne mettez pas vos mains dans ces zones pour éviter de vous pincer les doigts. Ouvrez ou fermez les portes du réfrigérateur/congélateur uniquement lorsqu'il n'y a pas d'enfants dans le rayon de mouvement de la porte.
- ▶ Ne conservez jamais les boissons ou les bières en bouteille, les liquides dans des bouteilles ou des canettes (en dehors des spiritueux avec un degré d'alcool très élevé), en particulier les boissons gazeuses, dans le congélateur car ceux-ci pourraient exploser durant la congélation.
- ▶ Ne rangez pas des substances explosives comme des bombes d'aérosol contenant un combustible inflammable dans cet appareil.





## AVERTISSEMENT !

- ▶ Ne conservez pas de médicaments, de bactéries ou d'agents chimiques dans l'appareil. Cet appareil est un appareil électroménager. Il n'est pas recommandé pour stocker des produits qui nécessitent des températures strictes.
- ▶ Pour éviter la contamination des aliments, veuillez respecter les instructions suivantes :
  - ▶ - L'ouverture prolongée de la porte peut entraîner une augmentation significative de la température dans les compartiments de l'appareil.
  - ▶ - Nettoyez régulièrement les surfaces pouvant se retrouver au contact des aliments et les systèmes d'écoulement accessibles.
  - ▶ - Nettoyez les réservoirs d'eau s'ils n'ont pas été utilisés pendant 48 h ; rincez le système d'eau raccordé à l'arrivée d'eau si l'eau n'a pas été tirée pendant 5 jours.
  - ▶ - Conservez au réfrigérateur la viande et le poisson crus dans des récipients adaptés, afin qu'ils ne se retrouvent pas au contact d'autres aliments et qu'ils ne s'égouttent pas dessus.
  - ▶ - Les compartiments pour produits surgelés à deux étoiles sont adaptés pour conserver les aliments pré-surgelés, conserver ou préparer des glaces et fabriquer des glaçons.
  - ▶ - Les compartiments à une, deux et trois étoiles ne sont pas adaptés pour surgeler les aliments frais.
  - ▶ - Si l'appareil de réfrigération reste vide pendant de longues périodes, éteignez-le, dégivrez-le, nettoyez-le, séchez-le et laissez la porte ouverte pour prévenir la formation de moisissure à l'intérieur de l'appareil.
- ▶ Vérifiez l'état des aliments si l'intérieur du congélateur s'est réchauffé.
- ▶ Ne réglez pas une température inutilement basse dans le compartiment du réfrigérateur. Des températures inférieures peuvent se produire à des réglages élevés. Attention : Les bouteilles peuvent éclater.
- ▶ Ne touchez pas les produits surgelés avec les mains mouillées (portez des gants). Ne mangez surtout pas les sucettes glacées juste après les avoir sorties du compartiment congélateur. Vous risquez de vous blesser ou de vous brûler à cause du froid. PREMIERS secours : mettre immédiatement sous l'eau froide du robinet. Ne pas tirer !
- ▶ Ne touchez pas la surface intérieure du compartiment congélateur lorsqu'il est en fonctionnement, en particulier avec les mains mouillées, car vos mains peuvent geler sur la surface.
- ▶ Débranchez l'appareil en cas de coupure de courant ou avant de le nettoyer. Attendez au moins 7 minutes avant de redémarrer l'appareil, car des démarrages trop fréquents risqueraient d'endommager le compresseur.
- ▶ N'utilisez pas d'appareils électriques à l'intérieur des compartiments de conservation des aliments de l'appareil, sauf s'ils correspondent aux modèles recommandés par le fabricant.



## AVERTISSEMENT !

### Entretien/nettoyage

- ▶ Veillez à superviser les enfants s'ils effectuent le nettoyage et l'entretien.
- ▶ Débranchez l'appareil du secteur avant d'effectuer tout entretien courant. Attendez au moins 5 minutes avant de redémarrer l'appareil, car des démarrages trop fréquents risqueraient d'endommager le compresseur.
- ▶ Tenez la fiche, pas le câble, lorsque vous débranchez l'appareil.
- ▶ Ne nettoyez pas l'appareil à l'aide de brosses dures, de brosses métalliques, de détergents en poudre, d'essence, d'acétate d'amyle, d'acétone et de solutions organiques similaires, d'acides ou de solutions alcalines. Nettoyez-le avec un détergent spécial pour réfrigérateur-congélateur afin d'éviter de l'endommager. Enfin, utilisez de l'eau tiède et une solution de bicarbonate de soude : environ une cuillère à soupe de bicarbonate de soude pour un litre/quart d'eau. Rincez abondamment à l'eau et essuyez. N'utilisez pas de poudres de nettoyage ou d'autres nettoyants abrasifs. Ne lavez pas les pièces amovibles au lave-vaisselle.
- ▶ Ne raclez pas le givre et la glace avec des objets tranchants. N'utilisez pas de pulvérisateurs ni de réchauffeurs électriques comme des nettoyeurs à vapeur, des sèche-cheveux ou d'autres sources de chaleur pour éviter d'endommager les pièces en plastique.
- ▶ N'utilisez pas de dispositifs mécaniques ou d'autres moyens pour accélérer le processus de dégivrage, hormis ceux recommandés par le fabricant.
- ▶ Si le cordon d'alimentation est endommagé, faites-le remplacer par le fabricant, le service clientèle ou un électricien qualifié pour éviter tout risque d'accident.
- ▶ N'essayez pas de réparer, démonter ou modifier l'appareil vous-même. En cas de réparation, veuillez contacter notre service clientèle.
- ▶ Si les lampes d'éclairage sont endommagées, elles doivent être remplacées par le fabricant, son service de maintenance ou des personnes de qualification similaire afin d'éviter tout danger.
- ▶ Éliminez la poussière à l'arrière de l'appareil au moins une fois par an pour éviter tout risque d'incendie, ainsi que l'augmentation de la consommation d'énergie.
- ▶ Ne pulvérisez pas et ne rincez pas l'appareil pendant le nettoyage.
- ▶ N'utilisez pas de jet d'eau ou de vapeur pour nettoyer l'appareil.
- ▶ Ne pas nettoyer les clayettes en verre ou la porte en verre froide(s) avec de l'eau chaude. Le changement soudain de température peut casser le verre.
- ▶ Si vous laissez votre appareil hors d'usage pendant une période prolongée, laissez-le ouvert pour éviter que des odeurs désagréables se forment à l'intérieur.

## Informations sur les gaz réfrigérants



### AVERTISSEMENT !

L'appareil contient de l'ISOBUTANE, un réfrigérant inflammable (R600a). Assurez-vous que le circuit du réfrigérant n'est pas endommagé pendant le transport ou l'installation. Les fuites de frigorigène peuvent provoquer des blessures oculaires ou s'enflammer. Si un dommage s'est produit, gardez les sources de feu ouvert à l'écart, aérez complètement la pièce, ne branchez pas ou ne débranchez pas les cordons d'alimentation de l'appareil ou de tout autre appareil. Informez le service clientèle.

En cas de contact du réfrigérant avec les yeux, rincez-les immédiatement à l'eau courante et appelez immédiatement un oculiste.

Le système de réfrigération est sous haute pression. Ne le modifiez pas. Étant donné que des réfrigérants inflammables sont utilisés, veuillez installer, manipuler et entretenir l'appareil en suivant strictement les instructions et contacter l'agent professionnel ou notre service clientèle pour mettre l'appareil au rebut.

Pour les réfrigérateurs équipés d'une fonction eau glacée, veuillez faire attention à l'avertissement suivant :

- Pour les appareils non destinés à être raccordés à l'alimentation en eau : remplissez d'eau potable uniquement.
- Pour les appareils destinés à être raccordés à l'alimentation en eau : raccordez à l'alimentation en eau potable uniquement.
- Si vous souhaitez nettoyer le système d'eau, reportez-vous au manuel d'utilisation. Si vous avez des questions, veuillez contacter le service après-vente.

### Utilisation prévue

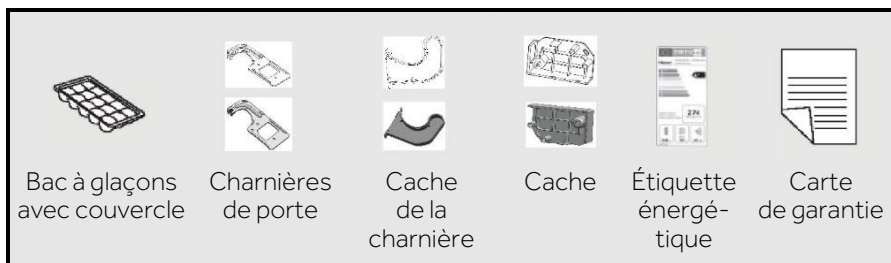
Cet appareil est destiné à réfrigérer et à congeler les aliments. Il a été conçu exclusivement pour une utilisation dans les habitations et des applications similaires telles que les espaces de cuisine dans les magasins, bureaux et autres environnements de travail ; les habitations rurales et par les clients dans les hôtels, motels et autres environnements de type résidentiel, ainsi que dans les chambres d'hôtes ou B&B et activités de restauration. Il n'est pas destiné à un usage commercial ou industriel. Les changements ou modifications apportés à l'appareil ne sont pas autorisés. Une utilisation non prévue peut entraîner des risques et la perte de garantie.

### Normes et directives et

Ce produit satisfait aux exigences de toutes les directives CE applicables avec les normes harmonisées correspondantes et les normes du Royaume-Uni, qui prévoient le marquage CE et UK.

### Accessoires

Vérifiez les accessoires et la littérature conformément à cette liste :



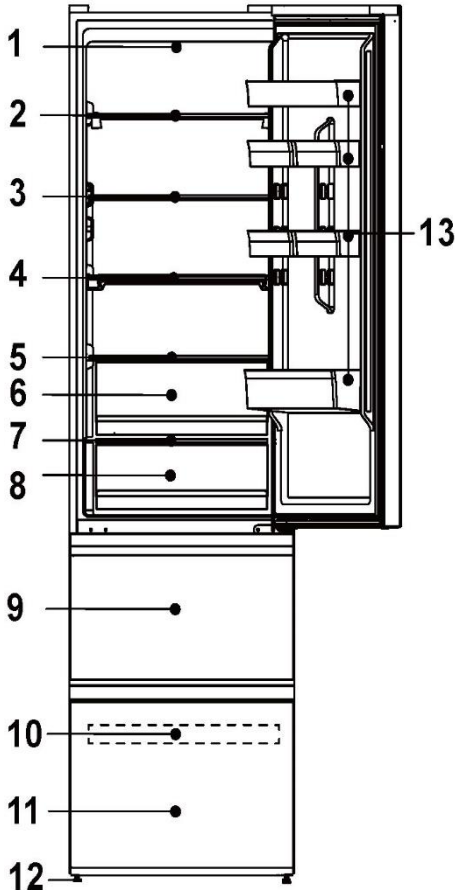
### REMARQUE :

En raison des changements techniques et de différents modèles, certaines des illustrations de ce manuel peuvent différer de votre modèle.



## REMARQUE :

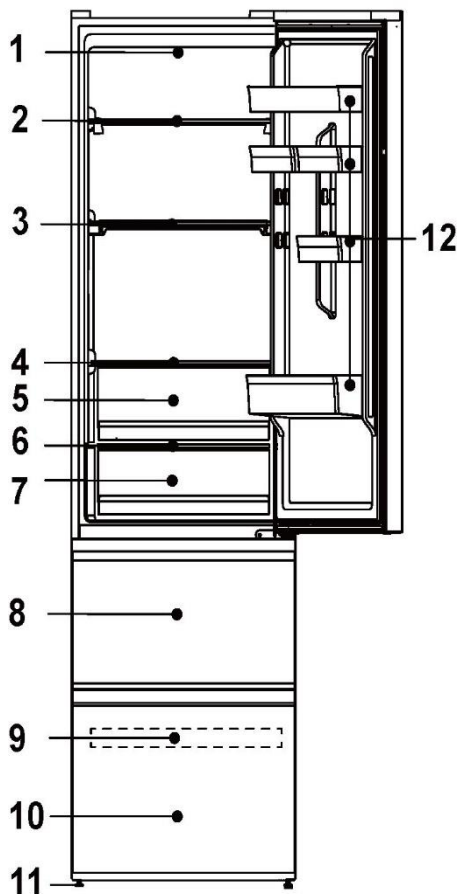
En raison des changements techniques et de différents modèles, certaines des illustrations de ce manuel peuvent différer de votre modèle. (HTW5620\*N\*)



- 1-Lampe à LED du réfrigérateur
- 2-Porte-bouteilles
- 3-Clayette en verre
- 4-Étagère pliable
- 5-Couvercle du bac Humidity Zone
- 6-Bac Humidity Zone
- 7-Couvercle du bac My Zone
- 8-Bac My Zone
- 9-Tiroir de rangement supérieur du congélateur
- 10-Plateau du congélateur
- 11-Tiroir de rangement inférieur du congélateur
- 12-Pieds réglables
- 13-Balconnet de porte

## **i** REMARQUE

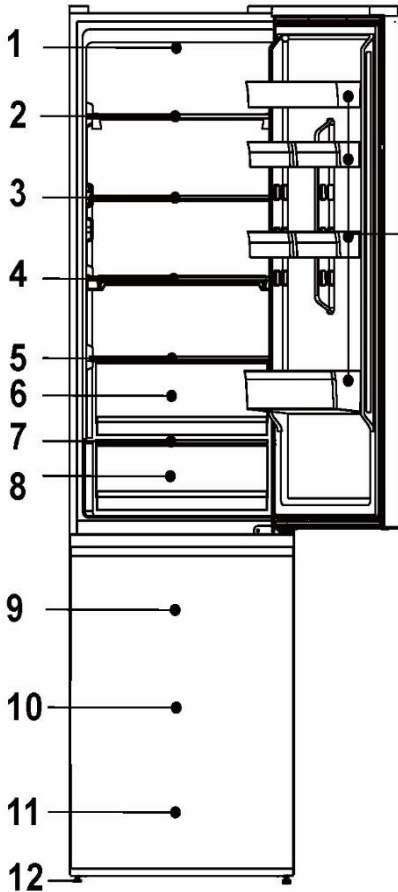
En raison des changements techniques et de différents modèles, certaines des illustrations de ce manuel peuvent différer de votre modèle. (HTW5618\*N\*)



- 1-Lampe à LED du réfrigérateur
- 2-Porte-bouteilles
- 3-Étagère pliable
- 4-Couvercle du bac Humidity Zone
- 5-Bac Humidity Zone
- 6-Couvercle du bac My Zone
- 7-Bac My Zone
- 8-Tiroir de rangement supérieur du congélateur
- 9-Plateau du congélateur
- 10-Tiroir de rangement inférieur du congélateur
- 11-Pieds réglables
- 12-Balconnet de porte

## **i** REMARQUE

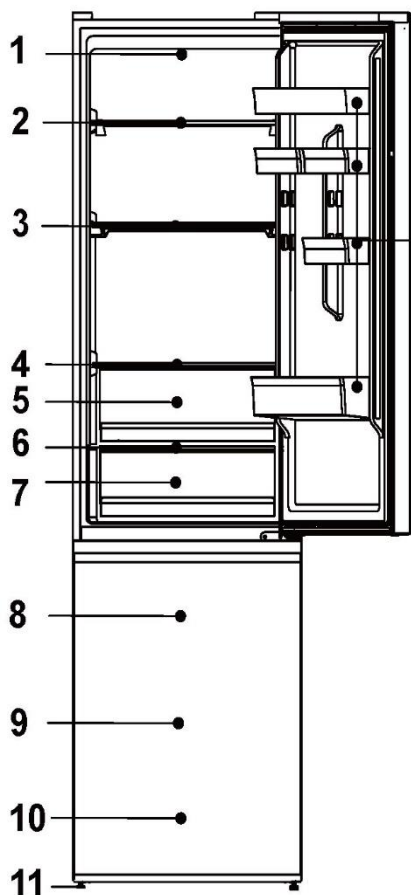
En raison des changements techniques et de différents modèles, certaines des illustrations de ce manuel peuvent différer de votre modèle. (HDPW5620\*N\*)



- 13**
- 1-Lampe à LED du réfrigérateur
  - 2-Porte-bouteilles
  - 3-Clayette en verre
  - 4-Étagère pliable
  - 5-Couvercle du bac Humidity Zone
  - 6-Bac Humidity Zone
  - 7-Couvercle du bac My Zone
  - 8-Bac My Zone
  - 9-Tiroir de rangement supérieur du congélateur
  - 10-Tiroir de rangement central du congélateur
  - 11-Tiroir de rangement inférieur du congélateur
  - 12-Pieds réglables
  - 13-Balconnet de porte

**i** REMARQUE

En raison des changements techniques et de différents modèles, certaines des illustrations de ce manuel peuvent différer de votre modèle. (HDPW5618\*N\*)

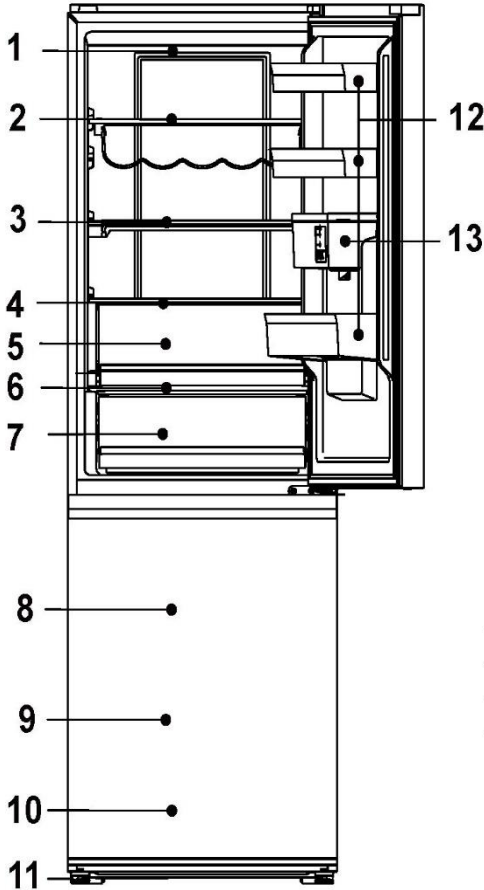


- 1-Lampe à LED du réfrigérateur
- 2-Porte-bouteilles
- 3-Étagère pliable
- 4-Couvercle du bac Humidity Zone
- 5-Bac Humidity Zone
- 6-Couvercle du bac My Zone
- 7-Bac My Zone
- 8-Tiroir de rangement supérieur du congélateur
- 9-Tiroir de rangement central du congélateur
- 10-Tiroir de rangement inférieur du congélateur
- 11-Pieds réglables
- 12-Balconnet de porte



## **i** REMARQUE

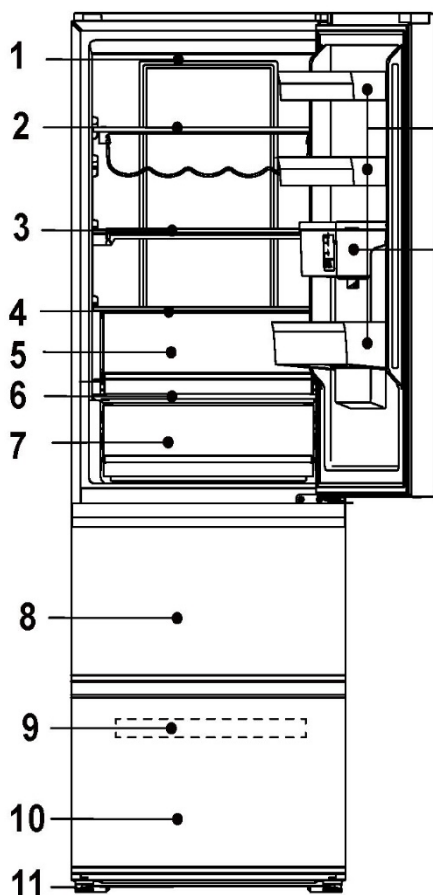
En raison des changements techniques et de différents modèles, certaines des illustrations de ce manuel peuvent différer de votre modèle. (HDPW5618DW\*)



- 1-Lampe à LED du réfrigérateur
- 2-Porte-bouteilles
- 3-Étagère pliable
- 4-Couvercle du bac Humidity Zone
- 5-Bac Humidity Zone
- 6-Couvercle du bac My Zone
- 7-Bac My Zone
- 8-Tiroir de rangement supérieur du congélateur
- 9-Tiroir de rangement central du congélateur
- 10-Tiroir de rangement inférieur du congélateur
- 11-Pieds réglables
- 12-Balconnet de porte
- 13-Réservoir d'eau

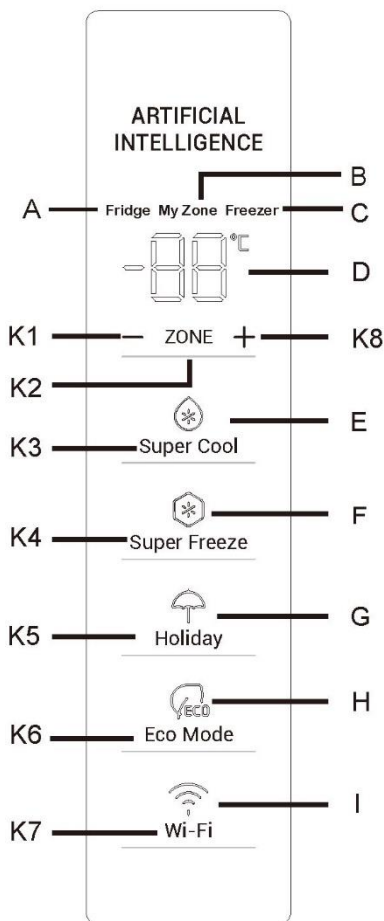
**i** REMARQUE

En raison des changements techniques et de différents modèles, certaines des illustrations de ce manuel peuvent différer de votre modèle. (HTW5618DW\*)



- 1-Lampe à LED du réfrigérateur
- 2-Porte-bouteilles
- 3-Étagère pliable
- 4-Couvercle du bac Humidity Zone
- 5-Bac Humidity Zone
- 6-Couvercle du bac My Zone
- 7-Bac My Zone
- 8-Tiroir de rangement supérieur du congélateur
- 9-Plateau du congélateur
- 10-Tiroir de rangement inférieur du congélateur
- 11-Pieds réglables
- 12-Balconnet de porte
- 13-Réservoir d'eau

## Panneau de commande



Touches :

A Compartiment réfrigérateur

B Compartiment My Zone

C Compartiment congélateur

D Affichage de la température

E Fonction Super Cool

F Fonction Super Freeze

G Fonction Holiday

H Fonction Eco Mode

I Fonction Wi-Fi

Indicateurs :

K1 Diminuer la température

K2 Sélection Réfrigérateur,  
My Zone et Congélateur

K3 Marche/arrêt de la fonction Super Cool  
K4 Marche/arrêt de la fonction  
Super Freeze

K5 Marche/arrêt de la fonction Holiday

K6 Marche/arrêt de la fonction Eco Mode

K7 Marche/arrêt de la fonction Wi-Fi

K8 Augmenter la température

### Avant la première utilisation

Retirez tous les emballages, gardez-les hors de la portée des enfants, puis jetez-les d'une manière respectueuse de l'environnement.

Nettoyez l'intérieur et l'extérieur de l'appareil ainsi que les accessoires avec de l'eau et un détergent doux, puis séchez-le bien avec un chiffon doux.

Une fois l'appareil de niveau et nettoyé, attendez au moins 2 heures avant de le brancher à l'alimentation électrique. Voir la section INSTALLATION.

Pré-réfrigérez les compartiments à des réglages élevés avant de les remplir d'aliments. La fonction Super Freeze permet de refroidir rapidement le compartiment congélateur.

### Touches tactiles

Les touches du panneau de commande sont des touches tactiles qui réagissent dès que le doigt les touche légèrement.

### Allumer/éteindre l'appareil

L'appareil fonctionne dès qu'il est branché sur l'alimentation électrique.

Lorsque l'appareil est sous tension pour la première fois, les indicateurs de température « D » indiquent les valeurs de préréglage (reportez-vous à la remarque ci-dessous).

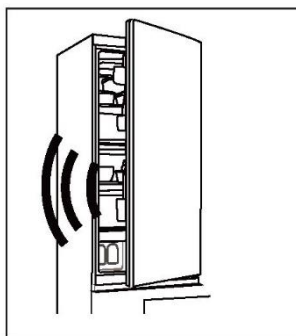
### **i** REMARQUE

L'appareil est préréglé à la température recommandée de 5 °C (réfrigérateur) et de -18 °C (congélateur). La température My Zone est préréglée à environ 2 °C. Il s'agit des réglages recommandés. Si vous le souhaitez, vous pouvez modifier ces températures manuellement.

### Alarme d'ouverture de porte

Lorsque la porte du réfrigérateur reste ouverte pendant plus de 3 minutes, l'alarme d'ouverture de porte retentit.

L'alarme peut être interrompue en fermant la porte. Si la porte reste ouverte pendant plus de 7 minutes, la lumière à l'intérieur du réfrigérateur et l'éclairage du panneau de commande s'éteignent automatiquement.



Régler la température

Les températures intérieures sont influencées par les facteurs suivants :

Température ambiante

Fréquence d'ouverture de la porte

Quantité d'aliments stockés

Installation de l'appareil

## Réglez la température du réfrigérateur

1. Appuyez sur la touche « K2 » (sélection du réfrigérateur/(My Zone)/congélateur) pour sélectionner le compartiment du réfrigérateur. Les icônes « A » (compartiment réfrigérateur) et « D » (affichage de la température) s'allument.
2. Appuyez sur la touche « K1/K8 » pour régler la température du réfrigérateur. La température augmente par séquences de 1 °C, allant d'un minimum de 2 °C à un maximum de 8 °C. La température optimale dans le réfrigérateur est de 5 °C. Des températures plus froides entraînent une consommation d'énergie inutile.
3. Après environ 5 secondes, l'icône de température « D » (affichage de la température) s'allume de façon permanente et le réglage est confirmé.

FR

### REMARQUE

Depuis l'application, il est possible de personnaliser la température pour le réfrigérateur et le congélateur. La température peut être réglée avec une sensibilité de 1 °C.

## Régler la température du congélateur

1. Appuyez sur la touche « K2 » (sélection du réfrigérateur/(My Zone)/congélateur) pour sélectionner le compartiment de congélation. Les icônes « C » (compartiment congélateur) et « D » (affichage de la température) s'allument.
2. Appuyez sur la touche tactile « K1/K8 » pour régler la température du congélateur. La température augmente par séquences de 1 °C, allant d'un minimum de -24 °C à un maximum de -16 °C. La température optimale dans le réfrigérateur est de -18 °C. Des températures plus froides entraînent une consommation d'énergie inutile.
3. Après environ 5 secondes, l'indicateur de température « D » (affichage de la température) s'allume de façon permanente et le réglage est confirmé.

### REMARQUE

Après avoir réglé la température, si d'autres touches sont enfoncées dans les 5 secondes, le réglage actuel de la température est immédiatement confirmé. Si aucune opération n'est effectuée dans les 5 secondes, la température définie actuelle reste affichée jusqu'à ce que l'écran s'éteigne.

## Réglage de la température My Zone

Le compartiment réfrigérateur est équipé d'un bac My Zone. En fonction des exigences de conservation des aliments, la température la plus adaptée peut être sélectionnée pour obtenir la valeur nutritive optimale des aliments.

1. Appuyez sur la touche « K2 » (sélection du réfrigérateur/(My Zone)/congélateur) pour sélectionner le compartiment My Zone. Les icônes « B » (compartiment My Zone) et « D » (affichage de la température) s'allument. Il peut également être sélectionné à partir de l'application.
2. Appuyez sur la touche tactile « K1/K8 » pour régler la température My Zone. La température peut également être réglée sur l'application. La température augmente par séquences de 1 °C, allant d'un minimum de 0 °C à un maximum de 5 °C.
3. Après environ 5 secondes, l'icône de température « D » (affichage de la température) s'allume de façon permanente et le réglage est confirmé.



### REMARQUE

1. Vous pouvez régler la température du compartiment My Zone au niveau intermédiaire (2 °C), afin de préserver vos aliments dans un environnement de conservation optimal.
2. En raison des différents teneurs en eau de la viande, certaines viandes contenant plus d'humidité seront congelées à des températures inférieures à 0 °C. Ainsi, la viande « tout juste coupée » doit être conservée dans le bac My Zone, avec une température minimale de 0 °C.
3. Les fruits sensibles au froid comme l'ananas, l'avocat, la banane, le pamplemousse et les légumes tels que les pommes de terre, les aubergines, les haricots, les concombres, les courgettes et les tomates ainsi que le fromage ne doivent pas être conservés dans le bac My Zone.
4. Si la température du réfrigérateur est inférieure à la température My Zone, il est normal que la température My Zone soit inférieure à la température de réglage My Zone.

## Fonction Super-Cool

1. Il est suggéré d'activer la fonction Super Cool lorsqu'une grande quantité d'aliments doit être conservée (par exemple après avoir fait les courses). La fonction Super Cool accélère le refroidissement des aliments frais et protège les aliments déjà entreposés du réchauffement indésirable.
2. Appuyez sur la touche « K3 » ou activez la fonction à partir de l'application, l'icône « E » (fonction Super Cool) est allumée et la fonction est activée.

## REMARQUE

1. L'appareil quitte la fonction « Super Cool » après avoir passé 6 heures en fonction « Super Cool » ou lorsque vous appuyez sur la touche « K3 » alors que l'icône « E » (fonction Super Cool) est allumée ou lorsque vous la quittez depuis l'application.
2. En mode « Super Cool », si la température du compartiment du réfrigérateur est réglée, l'icône « E » (fonction Super Cool) clignote pour indiquer que cette opération ne peut pas être effectuée.

### Fonction Super-Frz

1. Les aliments frais doivent être congelés le plus rapidement possible au cœur. Cela permet de préserver une valeur nutritive, un aspect et un goût optimaux. La fonction Super Freeze accélère la congélation des aliments frais et protège les aliments déjà entreposés du réchauffement indésirable. Si vous avez besoin de congeler une grande quantité d'aliments en une fois, il est recommandé de régler la fonction Super Freeze à l'avance pendant 24 h avant d'utiliser la chambre congelée.
2. Appuyez sur la touche « K4 » (réglage de la fonction Super Freeze) ou activez-la depuis l'application. L'icône « F » (fonction Super Freeze) est allumée et la fonction est activée.

## REMARQUE

1. L'appareil quitte la fonction « Super Freeze » après avoir passé 50 heures en fonction « Super Freeze » ou lorsque vous appuyez sur la touche « K4 » alors que l'icône « F » (fonction Super Freeze) est allumée ou lorsque vous la quittez depuis l'application.
2. En mode « Super Freeze », si la température du compartiment congélateur est réglée, l'icône « F » (fonction Super Freeze) clignote pour indiquer que cette opération ne peut pas être effectuée.

### Fonction Holiday

La fonction Holiday peut être utilisée pour réduire la consommation d'énergie de l'appareil lorsqu'il n'est pas utilisé régulièrement. Lorsque la fonction est activée, le réfrigérateur est allumé, tandis que le congélateur continue de fonctionner normalement. Cette fonction permet de régler la température du réfrigérateur de façon permanente à 17 °C.

Cela permet de garder la porte du réfrigérateur vide fermée sans que des odeurs ou des moisissures se développent pendant une longue absence (p.ex. pendant les vacances). Le compartiment congélateur peut être réglé librement.

1. Appuyez sur la touche « K5 » (marche/arrêt de la fonction Holiday) ou sélectionnez la fonction sur l'application. L'icône « G » (fonction Holiday) s'allume et la fonction est activée.
2. La fonction peut être désactivée en appuyant à nouveau sur la touche « K5 » (marche/arrêt de la fonction Holiday), en réglant la température du réfrigérateur ou en effectuant tout autre réglage, ou en l'éteignant depuis l'application.

 **REMARQUE**

1. En mode Holiday, aucun aliment ne doit être conservé dans le compartiment du réfrigérateur. La température de +17 °C est trop élevée pour conserver les aliments.
2. Lorsque la fonction Holiday est activée, l'icône My Zone s'éteint et la fonction réfrigérateur est verrouillée. Si la température du compartiment réfrigérateur est réglée, l'icône « G » (fonction Holiday) clignote pour indiquer que cette opération ne peut pas être effectuée.

**Fonction Eco Mode**

L'Eco Mode peut être activé pour optimiser les performances de l'appareil, tout en obtenant la meilleure conservation des aliments. Si vous n'avez pas d'exigences particulières, nous vous recommandons d'utiliser la fonction Eco Mode.

Avec ce mode, la température du réfrigérateur est de 5 °C, la température de congélation est de -18 °C.

1. Appuyez sur la touche « K6 » (marche/arrêt de la fonction Eco Mode) ou sélectionnez la fonction depuis l'application.
2. L'icône « H » (fonction Eco Mode) s'allume et la fonction est activée.

En répétant les étapes ci-dessus ou en sélectionnant une autre fonction ou en l'éteignant depuis l'application, cette fonction peut être désactivée à nouveau. Les niveaux de refroidissement prédéfinis sont rétablis.

 **REMARQUE**

En Eco Mode, si la température du compartiment réfrigérateur/congélateur est réglée, l'icône « H » (fonction Eco Mode) clignote pour indiquer que cette opération ne peut pas être effectuée.



Étape 1 Téléchargez l'application hOn dans les stores.

|                                                                                                                                                                                                                                                                                                                                         |                                                                                                                                                              |
|-----------------------------------------------------------------------------------------------------------------------------------------------------------------------------------------------------------------------------------------------------------------------------------------------------------------------------------------|--------------------------------------------------------------------------------------------------------------------------------------------------------------|
|     |                                                                                                                                                              |
| <p>Étape 2 Créez votre compte sur l'application hOn ou connectez-vous si vous possédez déjà un compte.</p>                                                                                                                                             | <p>Étape 3 Suivez les instructions d'appairage dans l'application hOn.</p>  |

## Fonction Wi-Fi

1. Suivez les instructions de l'application pour configurer le Wi-Fi.
2. Une fois le Wi-Fi configuré et la connexion établie, l'icône Wi-Fi « I » est allumée et fixe.
3. Si le Wi-Fi a déjà été configuré, il se reconnectera automatiquement en fonction des informations de configuration lorsque vous l'allumerez.

### **i** REMARQUE

1. Pour désactiver le Wi-Fi, appuyez sur la touche Wi-Fi « K7 » et l'icône Wi-Fi « I » s'éteint.
2. Pour activer le Wi-Fi et démarrer la configuration, appuyez sur la touche Wi-Fi « K7 » et l'icône Wi-Fi « I » commence à clignoter lentement. Si vous souhaitez configurer la fonction Wi-Fi, appuyez sur la touche « K7 » pendant 3 secondes. L'icône Wi-Fi clignote rapidement et passe en mode de configuration. Si vous souhaitez désactiver la fonction Wi-Fi, appuyez une fois sur la touche « K7 ». Répétez les étapes ci-dessus.
3. Si le produit a été configuré et que la fonction Wi-Fi a été désactivée, le réfrigérateur n'entrera pas en mode de configuration une fois reconnecté à l'alimentation.

### **i** REMARQUE

1. Ce produit n'est pas destiné à un usage commercial.
2. Puissance de sortie RF maximale : Wi-Fi 2,4 GHz : 16 dBm ;
3. Bluetooth LE : 5 dBm ; Bluetooth (BR/EDR) : 10 dBm.
4. Bande de fréquence de fonctionnement : 2 400-2 483,5 MHz.

## Conservation dans le compartiment réfrigérateur

Conservez la température de votre réfrigérateur en dessous de 5 °C.

Les aliments chauds doivent avoir refroidi à température ambiante avant d'être placés dans l'appareil.

Les aliments conservés au réfrigérateur doivent être lavés et essuyés avant de les entreposer.

Les aliments à conserver doivent être bien emballés hermétiquement pour éviter les odeurs ou l'altération du goût.

Ne conservez pas des quantités excessives d'aliments. Laissez de la place entre les aliments pour permettre à l'air froid de circuler autour d'eux, pour un refroidissement meilleur et plus homogène.

Les aliments consommés quotidiennement doivent être conservés à l'avant de la clayette.

Laissez un espace entre les aliments et les parois intérieures, pour permettre la circulation de l'air. Ne placez en aucun cas d'aliments contre la paroi arrière : les aliments pourraient y geler. Évitez tout contact direct des aliments (en particulier les aliments gras ou acides) avec le revêtement intérieur, car l'huile / l'acide peut éroder le revêtement intérieur. Nettoyez les saletés grasses/acides chaque fois que vous en découvrez.

Les aliments congelés peuvent être légèrement décongelés dans le compartiment du réfrigérateur. Cela permet d'économiser de l'énergie.

Le processus de maturation des fruits et légumes tels que les courgettes, melons, papayes, bananes, ananas, etc. peut être accéléré dans le réfrigérateur. Il n'est donc pas recommandé de les conserver dans le réfrigérateur. Cependant, la maturation des fruits très verts peut être favorisée pendant une certaine période. Les oignons, l'ail, le gingembre et les autres légumes-racines doivent également être conservés à température ambiante.

Les odeurs désagréables à l'intérieur du réfrigérateur sont un signe que quelque chose a été renversé et qu'il faut nettoyer. Voir Entretien et nettoyage.

Différents aliments doivent être placés dans différents endroits en fonction de leurs propriétés :

## Conservation dans le compartiment congélateur

Maintenez la température du congélateur à -18 °C.

24 heures avant la congélation, activez la fonction Super-Freeze. Pour de petites quantités d'aliments, 4-6 heures suffisent.

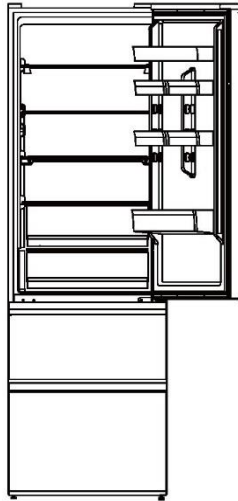
Les aliments chauds doivent avoir refroidi à température ambiante avant d'être placés dans le compartiment congélateur.

Les aliments coupés en petites portions congèleront plus rapidement et seront plus faciles à décongeler et à cuire. Le poids recommandé pour chaque portion est inférieur à 2,5 kg

Il est préférable d'emballer les aliments avant de les mettre au congélateur.

L'extérieur de l'emballage doit être sec pour éviter que les sacs ne collent les uns aux autres. Les matériaux d'emballage doivent être exempts d'odeurs, étanches à l'air et non toxiques.

Afin d'éviter l'expiration des périodes de conservation, veuillez noter la date de congélation, la limite de temps et le nom des aliments présents sur l'emballage en fonction des périodes de conservation des différents aliments.



## AVERTISSEMENT !

- ▶ les acides, les alcalis et le sel, etc., pourraient éroder la surface interne du congélateur.
- ▶ Ne placez pas les aliments contenant ces substances (par ex. poissons de mer) directement sur la surface interne. L'eau salée dans le congélateur doit être nettoyée immédiatement.
- ▶ Ne dépassez pas le temps de conservation des aliments recommandé par les fabricants. Ne sortez que la quantité requise d'aliments du congélateur.
- ▶ Consommez rapidement les aliments décongelés. Les aliments décongelés ne peuvent pas être recongelés à moins qu'ils ne soient d'abord cuits, sans quoi ils risqueraient de devenir impropres à la consommation.
- ▶ Ne pas mettre de quantités excessives d'aliments frais dans le compartiment congélateur. Reportez-vous à la capacité de congélation du congélateur - Voir les DONNÉES TECHNIQUES ou les données sur la plaque signalétique.
- ▶ Les aliments peuvent être conservés au congélateur à une température d'au moins  $-18^{\circ}\text{C}$  pendant 2 à 12 mois, en fonction de leurs propriétés (par ex. viande : 3-12 mois, légumes : 6-12 mois)
- ▶ Lorsque vous congelez des aliments frais, évitez de les mettre en contact avec des aliments déjà congelés. Risque de décongélation !

### **Lorsque vous conservez des aliments surgelés achetés dans le commerce, veuillez suivre ces directives :**

Suivez toujours les directives du fabricant pour la durée de conservation des aliments. Ne dépassez pas ces directives !

Essayez de garder le temps entre l'achat et le stockage le plus court possible pour préserver la qualité des aliments.

Achetez des aliments surgelés, qui ont été conservés à une température de  $-18^{\circ}\text{C}$  ou moins.

Évitez d'acheter des aliments qui ont de la glace ou du givre sur l'emballage : cela indique que les produits ont pu être partiellement décongelés et recongelés à un certain moment et les hausses de température affectent la qualité des aliments.

### Distributeur d'eau

Avec le distributeur d'eau, l'eau potable fraîche est à portée de main.

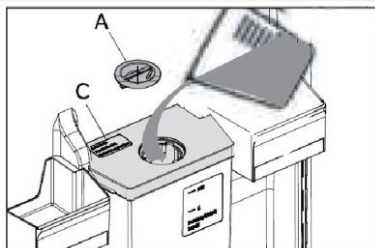
Le réservoir d'eau doit être nettoyé avant la première utilisation (voir ENTRETIEN ET NETTOYAGE).

### Remplissage du réservoir d'eau

#### AVERTISSEMENT !

► N'utilisez que de l'eau potable.

1. Assurez-vous que le réservoir d'eau est correctement inséré (voir MATÉRIEL)
2. Tournez et soulevez le couvercle rond (A) et versez de l'eau potable fraîche dans le réservoir d'eau (Fig.5.10.1).
3. Remplissez l'eau jusqu'au repère (2,5 l), car elle pourrait déborder lorsque vous ouvrez et fermez la porte.
4. Fermez le couvercle rond (A) jusqu'à ce que vous entendiez un clic.



#### REMARQUE

1. L'appareil quitte la fonction « Super Cool » après avoir passé 6 heures en fonction « Super Cool » ou lorsque vous appuyez sur la touche « K3 » alors que l'icône « E » (fonction Super Cool) est allumée ou lorsque vous la quittez depuis l'application.
2. En mode « Super Cool », si la température du compartiment du réfrigérateur est réglée, l'icône « E » (fonction Super Cool) clignote pour indiquer que cette opération ne peut pas être effectuée.

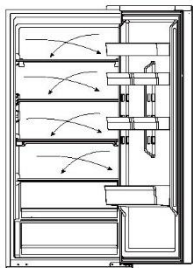


### Conseils d'économie d'énergie

- ▶ Assurez-vous que l'appareil est bien ventilé (voir INSTALLATION).
- ▶ N'installez pas l'appareil en plein soleil ou à proximité de sources de chaleur (par ex. cuisinières, chauffages).
- ▶ Évitez une température inutilement basse dans l'appareil. La consommation d'énergie augmente avec la baisse de la température de réglage de l'appareil.
- ▶ Des fonctions comme SUPER FREEZE consomment plus d'énergie.
- ▶ Laissez les aliments chauds refroidir avant de les mettre dans l'appareil.
- ▶ Ouvrez la porte de l'appareil le moins souvent et le plus brièvement possible.
- ▶ Ne remplissez pas trop l'appareil pour éviter de bloquer la circulation de l'air.
- ▶ Évitez l'air dans l'emballage des aliments.
- ▶ Gardez les joints de la porte propres afin que la porte se ferme toujours correctement.
- ▶ Décompressez les aliments surgelés dans le compartiment de stockage du réfrigérateur ou utilisez la fonction D-Frost dans le bac My Zone.
- ▶ La configuration la plus économe en énergie nécessite que le tiroir, le bac de rangement et les clayettes soient positionnés dans l'appareil dans les conditions d'usine, et que les aliments soient placés sans bloquer la sortie d'air du conduit.

## **i** Remarque

En raison des différents modèles, votre produit peut ne pas avoir toutes les fonctions suivantes. Reportez-vous au chapitre Description du produit.I.

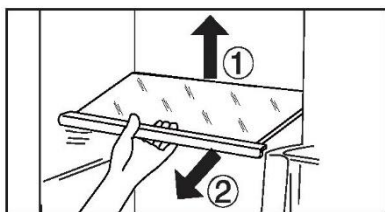


### Flux multi-air

Le réfrigérateur est équipé d'un système à flux multi-air, avec lequel des flux d'air froids se trouvent au niveau de chaque clayette. Cela permet de maintenir une température uniforme afin de garantir que vos aliments conservent leur fraîcheur pendant plus longtemps.

### Clayettes réglables

1. La hauteur des clayettes peut être réglée en fonction de vos besoins de rangement.
2. Pour déplacer une clayette, retirez-la d'abord en levant son bord arrière ① et en la tirant ②.
3. Pour la remettre en place, placez-la sur les ergots des deux côtés et poussez-la dans la position la plus reculée jusqu'à ce que l'arrière de la clayette soit fixé à l'intérieur des fentes sur les côtés.



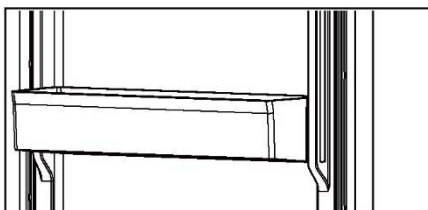
## **i** Remarque

Assurez-vous que toutes les extrémités d'une clayette sont au même niveau.

### Balcon de porte amovible

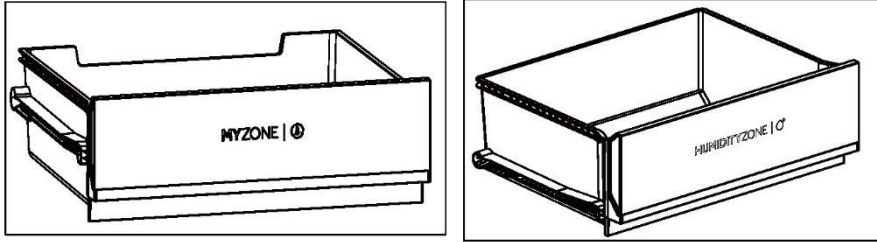
Le balcon de porte peut être enlevé pour le nettoyage :

Placez les mains de chaque côté du balconnet, soulevez-le (1) et tirez-le (2). Pour insérer le balconnet de porte, vous devez suivre les étapes ci-dessus dans l'ordre inverse.



## Bac My Zone

Pour l'utilisation et le réglage du compartiment My Zone, consultez la section UTILISATION (My Zone).



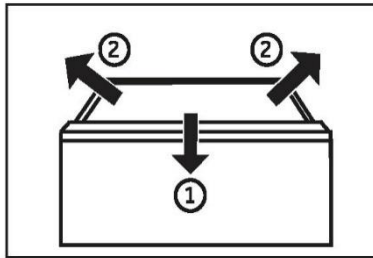
## Bac Humidity Zone

Dans ce compartiment, le niveau d'humidité est contrôlé automatiquement par le système et permet de stocker fruits, légumes, salades, etc.

### Tiroir amovible

Pour retirer le tiroir du réfrigérateur ou du congélateur, tirez-le à fond vers l'extérieur (1), soulevez et retirez le tiroir (2).

Pour réintroduire le tiroir, vous devez effectuer les étapes ci-dessus dans l'ordre inverse.



### Tiroir du congélateur

Le tiroir du congélateur peut être sorti entièrement en le gardant bien droit. Ils sont montés sur un rail télescopique à roulettes, afin que vous puissiez stocker et retirer les aliments congelés confortablement. Grâce au mécanisme de fermeture automatique de la porte, la manipulation est facile et vous économisez de l'énergie.

**AVERTISSEMENT !**

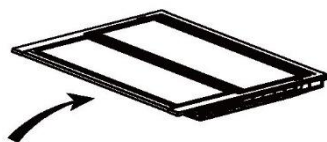
Ne surcharge pas les tiroirs : Charge maximale de chaque tiroir : 35 kg !

**La lumière**

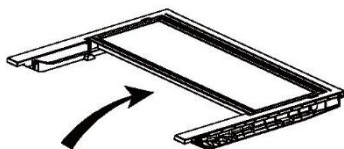
La lumière LED à l'intérieur s'allume lorsque la porte est ouverte. Le fonctionnement des lumières n'est affecté par aucun des autres réglages de l'appareil.

**Clayettes rabattables**

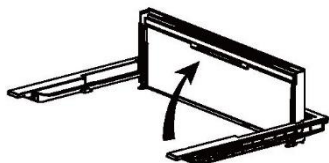
Les clayettes rabattables permettent à l'utilisateur de placer des bouteilles hautes ou des articles sur les clayettes. Les clayettes peuvent être rabattues vers l'arrière afin de maximiser l'espace disponible de la clayette inférieure. La clayette peut être rabattue comme indiqué aux étapes 1~3. Pour revenir à la position d'origine, inversez les procédures suivantes.



Étape 1 : Poussez lentement l'avant de la clayette jusqu'à l'extrémité.



Étape 2 : Poussez doucement la clayette vers le haut jusqu'à son emplacement vertical.



Étape 3 : L'étagère est à la verticale. Cela permet de gagner de la place.

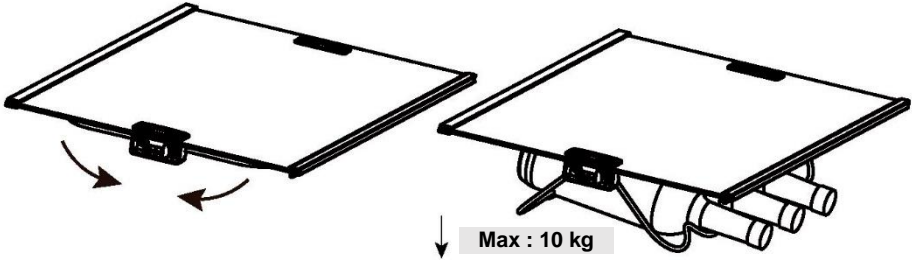


## Porte-bouteilles rabattable

Pour une utilisation normale

1. Tirez vers le bas les supports du porte-bouteilles
2. Placez les bouteilles dans le porte-bouteilles

Lorsqu'il n'est pas utilisé, le porte-bouteilles peut être rabattu vers l'arrière afin de gagner de la place.



FR

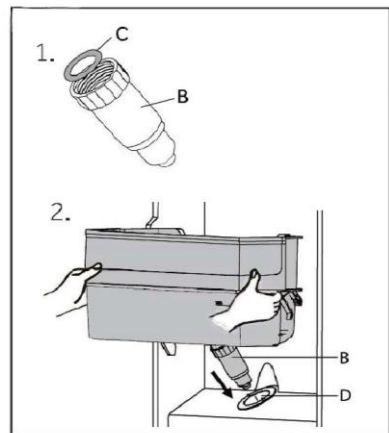
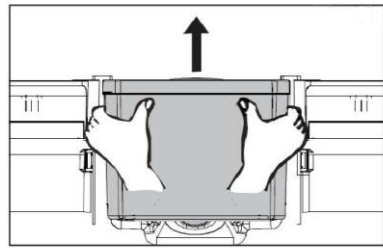
## Réservoir d'eau

### Retirer le réservoir d'eau

Le réservoir d'eau peut être retiré et réinstallé pour être nettoyé, de la même manière que les balconnets de porte.

### Insertion du réservoir d'eau

1. Assurez-vous que le bec verseur (B) est fermement vissé sur le réservoir d'eau et que le joint torique blanc (C) est en position.
2. Placez le réservoir d'eau dans la position permettant au bec verseur (B) de s'adapter à l'ouverture de la porte (D).



### Remarque

- ▶ Assurez-vous que le bec verseur est fermement vissé sur le réservoir d'eau et que le joint torique blanc (C) est en position.
- ▶ Si le réservoir d'eau n'est pas correctement inséré, l'eau peut s'égoutter au niveau du raccordement.
- ▶ Ne forcez pas trop lors du retrait ou de l'installation du réservoir d'eau, pour éviter d'endommager le réservoir.



### AVERTISSEMENT !

Débranchez l'appareil de l'alimentation électrique avant de le nettoyer.

### Nettoyage

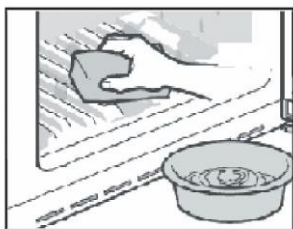
Nettoyez l'appareil lorsqu'il n'y a qu'un peu de nourriture ou qu'il n'y a pas de nourriture à l'intérieur.

L'appareil doit être nettoyé toutes les quatre semaines pour un bon entretien et pour éviter les mauvaises odeurs des aliments conservés à l'intérieur.



### AVERTISSEMENT !

- ▶ Ne nettoyez pas l'appareil à l'aide de brosses dures, de brosses métalliques, de détergents en poudre, d'essence, d'acétate d'amyle, d'acétone et de solutions organiques similaires, d'acides ou de solutions alcalines. Nettoyez-le avec un détergent spécial pour réfrigérateur afin d'éviter de l'endommager.
- ▶ Ne pulvérisez pas et ne rincez pas l'appareil pendant le nettoyage.
- ▶ N'utilisez pas de jet d'eau ou de vapeur pour nettoyer l'appareil.
- ▶ Ne nettoyez pas les clayettes froides en verre à l'eau chaude. Un changement soudain de température peut casser le verre.
- ▶ Ne touchez pas la surface intérieure du compartiment de l'appareil, en particulier avec les mains mouillées, car vos mains peuvent geler sur la surface.
- ▶ En cas de réchauffement, vérifiez l'état des produits surgelés.



- ▶ Gardez toujours le joint de la porte propre.
- ▶ Nettoyez l'intérieur et le bâti de l'appareil à l'aide d'une éponge imbibée d'eau tiède et de détergent neutre.
- ▶ 1. Veuillez frotter l'intérieur et l'extérieur du réfrigérateur, y compris le joint de porte, le porte-bouteille, les clayettes en verre, les boîtes, etc., avec un torchon doux ou une éponge imbibée d'eau chaude (vous pouvez ajouter un détergent neutre dans l'eau chaude).
- ▶ 2. S'il y a du liquide renversé, retirez toutes les parties contaminées, rincez-les directement sous l'eau du robinet, séchez-les et remettez-les dans le réfrigérateur.
- ▶ 3. S'il y a de la crème (par exemple de la crème, de la crème glacée qui fond), retirez toutes les parties contaminées, placez-les dans de l'eau chaude à 40 °C pendant un certain temps, puis rincez-les à l'eau courante, séchez-les et remettez-les dans le réfrigérateur.
- ▶ 4. Si une petite pièce ou un élément reste coincé à l'intérieur du réfrigérateur (entre les clayettes ou les tiroirs), utilisez une petite brosse souple pour l'éliminer. Si vous ne pouvez pas atteindre la pièce, veuillez contacter le service clientèle Haier.
- ▶ Rincez et séchez avec un chiffon doux.
- ▶ Ne nettoyez aucune des parties de l'appareil au lave-vaisselle.
- ▶ Attendez au moins 5 minutes avant de redémarrer l'appareil, car le démarrage fréquent risque d'endommager le compresseur.

### Dégivrage

Le dégivrage des compartiments réfrigérateur et congélateur se fait automatiquement ; aucune opération manuelle n'est nécessaire.

### Remplacement des lampes LED



#### **AVERTISSEMENT !**

Ne remplacez pas la lampe LED vous-même, elle ne doit être remplacée que par le fabricant ou l'agent de maintenance agréé.

FR

Les lampes utilisent des LED comme source lumineuse, avec une faible consommation d'énergie et une longue durée de vie. En cas d'anomalie, veuillez contacter le service clientèle. Reportez-vous au paragraphe SERVICE CLIENTÈLE.

Paramètres des lampes :

| Pièce                       | Lampe LED  |
|-----------------------------|------------|
| Tension en V                | 12 V       |
| Puissance max. en W         | 1,5 W      |
| Spécification LED           | Blanc-2835 |
| Classe d'efficacité des LED | G          |
| Température d'utilisation   | -40-80 °C  |

### **Non-utilisation pendant une période prolongée**

Si l'appareil n'est pas utilisé pendant une période prolongée et que vous n'utiliserez pas la fonction Holiday pour le réfrigérateur :

Sortez les aliments.

Débranchez le cordon d'alimentation.

Nettoyez l'appareil selon les instructions ci-dessus.

Gardez les portes ouvertes pour éviter la formation de mauvaises odeurs à l'intérieur.



#### **Remarque**

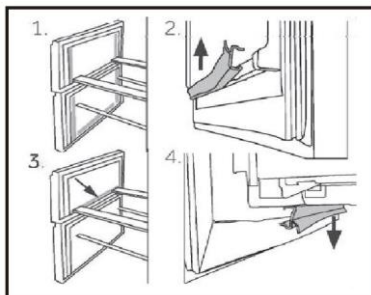
N'éteignez l'appareil que si cela est strictement nécessaire.

### Jointes auxiliaires amovibles de la porte

Six joints de porte auxiliaires se trouvent sur les tiroirs supérieur et inférieur du congélateur.

1. Localisez les cinq joints de porte indiqués sur les tiroirs du congélateur supérieur et inférieur.
2. Assurez-vous que les parties courbées des joints sont orientées vers l'intérieur pendant la fixation.
3. Localisez le joint inférieur du tiroir supérieur comme indiqué.
4. Assurez-vous que la partie courbée de ce joint est orientée vers le bas pendant la fixation.

Vous pouvez obtenir ces joints ainsi que les joints de porte tournante/tiroir auprès du service clientèle (voir la carte de garantie).



### Déplacement de l'appareil

1. Retirez tous les aliments et débranchez l'appareil.
2. Fixez les clayettes et les autres parties mobiles dans le réfrigérateur et dans le congélateur avec du ruban adhésif.
3. N'inclinez pas le réfrigérateur à plus de 45° pour éviter d'endommager le système de réfrigération.



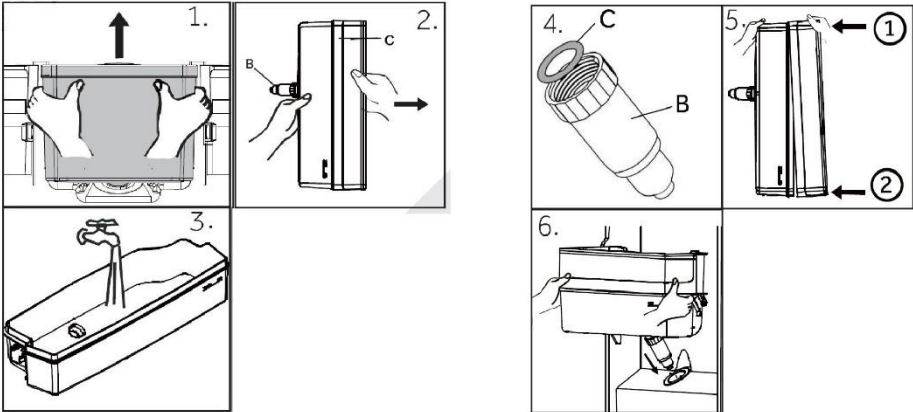
### AVERTISSEMENT !

- ▶ Ne soulevez pas l'appareil par ses poignées.
- ▶ Ne placez jamais l'appareil à l'horizontale sur le sol.

**Nettoyage du réservoir d'eau**

1. Retirez le réservoir d'eau de l'appareil.
2. Retirez le couvercle (C) et dévissez délicatement le bec verseur (B).
3. Nettoyez le réservoir d'eau et le bec verseur avec de l'eau courante tiède et du liquide vaisselle. Assurez-vous que tout le liquide vaisselle est rincé.
4. Montez le bec verseur (B) et vérifiez qu'il est fermement vissé sur le réservoir d'eau et que le joint torique blanc (C) est en position.
5. Appuyez sur le couvercle pour le combiner avec un côté du réservoir d'eau, puis avec l'autre côté, vérifiez que le réservoir d'eau et le couvercle sont complètement assemblés.
6. Remettez le réservoir en place à l'intérieur de l'appareil. Assurez-vous que le bec verseur est correctement inséré dans le trou de la porte.

FR

**Remarque**

- ▶ Si le réservoir d'eau n'est pas correctement inséré, l'eau peut s'égoutter au niveau du raccordement.
- ▶ Ne forcez pas trop lors du retrait ou de l'installation du réservoir d'eau, pour éviter d'endommager le réservoir.

Vous pouvez résoudre de nombreux problèmes vous-même sans expertise spécifique. En cas de problème, veuillez vérifier toutes les possibilités indiquées et suivre les instructions ci-dessous avant de contacter un service clientèle. Reportez-vous au paragraphe SERVICE CLIENTÈLE.



### AVERTISSEMENT !

- ▶ Avant l'entretien, désactivez l'appareil et débranchez la fiche secteur de la prise secteur.
- ▶ L'équipement électrique ne doit être entretenu que par des experts en électricité qualifiés, car des réparations inappropriées peuvent causer des dommages consécutifs considérables.
- ▶ Une alimentation endommagée ne devrait être remplacée que par le fabricant, son agent de maintenance ou des personnes avec une qualification similaire de manière à éviter tout danger.

### Tableau de dépannage

| Problème                                                                    | Cause possible                                                                           | Solution possible                                                                                                                                                                         |
|-----------------------------------------------------------------------------|------------------------------------------------------------------------------------------|-------------------------------------------------------------------------------------------------------------------------------------------------------------------------------------------|
| Le compresseur ne fonctionne pas.                                           | La fiche secteur n'est pas branchée dans la prise secteur.                               | Branchez la fiche secteur.                                                                                                                                                                |
|                                                                             | L'appareil est en cours de dégivrage.                                                    | Ceci est normal pour un dégivrage automatique.                                                                                                                                            |
| L'appareil fonctionne fréquemment ou fonctionne trop longtemps.             | La température intérieure ou extérieure est trop élevée.                                 | Dans ce cas, il est normal que l'appareil fonctionne plus longtemps.                                                                                                                      |
|                                                                             | L'appareil a été hors tension pendant un certain temps.                                  | Normalement, il faut 8 à 12 heures pour que l'appareil refroidisse complètement.                                                                                                          |
|                                                                             | Une porte/un tiroir de l'appareil n'est pas bien fermé(e).                               | Fermez la porte/le tiroir et assurez-vous que l'appareil est situé sur un sol de niveau et qu'il n'y a pas d'aliment ou de récipient bloquant la porte.                                   |
|                                                                             | La porte/le tiroir a été ouvert(e) trop fréquemment ou trop longtemps.                   | N'ouvrez pas trop souvent la porte / le tiroir.                                                                                                                                           |
|                                                                             | Le réglage de la température du compartiment congélateur est trop bas.                   | Réglez une température plus élevée jusqu'à l'obtention d'une température satisfaisante dans le réfrigérateur. Il faut 24 heures pour que la température du réfrigérateur devienne stable. |
| Le joint de la porte/du tiroir est sale, usé, fissuré ou ne correspond pas. | Nettoyez le joint de la porte/du tiroir ou faites-le remplacer par le service clientèle. |                                                                                                                                                                                           |

|                                                                                                                     |                                                                             |                                                                                                       |
|---------------------------------------------------------------------------------------------------------------------|-----------------------------------------------------------------------------|-------------------------------------------------------------------------------------------------------|
|                                                                                                                     | La circulation de l'air requise n'est pas garantie.                         | Assurez une ventilation adéquate.                                                                     |
| L'intérieur du réfrigérateur est sale et/ou sent mauvais.                                                           | L'intérieur du réfrigérateur a besoin de nettoyage.                         | Nettoyez l'intérieur du réfrigérateur.                                                                |
|                                                                                                                     | Des aliments à forte odeur sont conservés au réfrigérateur.                 | Enveloppez soigneusement les aliments.                                                                |
| Il ne fait pas suffisamment froid à l'intérieur de l'appareil.                                                      | La température réglée est trop élevée.                                      | Réinitialisez la température.                                                                         |
|                                                                                                                     | Des aliments trop chauds ont été stockés dans l'appareil.                   | Laissez toujours refroidir les aliments avant de les mettre à l'intérieur.                            |
|                                                                                                                     | Trop d'aliments ont été mis à l'intérieur en même temps.                    | Conservez toujours de petites quantités d'aliments.                                                   |
|                                                                                                                     | Les aliments sont trop proches les uns des autres.                          | Laissez de la place entre plusieurs aliments pour permettre la circulation de l'air.                  |
|                                                                                                                     | Une porte/un tiroir de l'appareil n'est pas bien fermé(e).                  | Fermez la porte / le tiroir.                                                                          |
|                                                                                                                     | La porte/le tiroir a été ouvert(e) trop fréquemment ou trop longtemps.      | N'ouvrez pas trop souvent la porte / le tiroir.                                                       |
| Il fait trop froid à l'intérieur de l'appareil.                                                                     | La température réglée est trop basse.                                       | Réinitialisez la température.                                                                         |
|                                                                                                                     | La fonction Super Freeze est activée ou fonctionne depuis trop longtemps.   | Désactivez la fonction Super Freeze.                                                                  |
| De l'humidité se forme à l'intérieur du compartiment du réfrigérateur.                                              | Le climat est trop chaud et trop humide.                                    | Augmentez la température.                                                                             |
|                                                                                                                     | Une porte/un tiroir de l'appareil n'est pas bien fermé(e).                  | Fermez la porte / le tiroir.                                                                          |
|                                                                                                                     | La porte/le tiroir a été ouvert(e) trop fréquemment ou trop longtemps.      | N'ouvrez pas trop souvent la porte / le tiroir.                                                       |
|                                                                                                                     | Les récipients contenant des aliments ou des liquides sont laissés ouverts. | Laissez refroidir les aliments chauds à température ambiante et couvrez les aliments et les liquides. |
| L'humidité s'accumule sur le réfrigérateur à l'extérieur de la surface ou entre les portes / la porte et le tiroir. | Le climat est trop chaud et trop humide.                                    | C'est normal dans un climat humide et cela va changer lorsque l'humidité diminuera.                   |
|                                                                                                                     | La porte/le tiroir n'est pas fermé(e) hermétiquement.                       | Assurez-vous que la porte/le tiroir est bien fermé(e).                                                |

## Dépannage

|                                                                               |                                                                                   |                                                                                                                                        |
|-------------------------------------------------------------------------------|-----------------------------------------------------------------------------------|----------------------------------------------------------------------------------------------------------------------------------------|
| Glace dure et givre dans le compartiment congélateur.                         | Les aliments n'étaient pas correctement emballés.                                 | Emballer toujours bien les aliments.                                                                                                   |
|                                                                               | Une porte/un tiroir de l'appareil n'est pas bien fermé(e).                        | Fermez la porte / le tiroir.                                                                                                           |
|                                                                               | La porte/le tiroir a été ouvert(e) trop fréquemment ou trop longtemps.            | N'ouvrez pas trop souvent la porte / le tiroir.                                                                                        |
|                                                                               | Le joint de la porte/du tiroir est sale, usé, fissuré ou ne correspond pas.       | Nettoyez le joint de la porte/du tiroir ou remplacez-les par des joints neufs.                                                         |
|                                                                               | Quelque chose à l'intérieur empêche la porte/le tiroir de se fermer correctement. | Repositionnez les clayettes, les balconnets de porte ou les récipients à l'intérieur pour permettre à la porte/au tiroir de se fermer. |
| L'appareil émet des sons anormaux.                                            | L'appareil n'est pas situé sur un sol de niveau.                                  | Réglez le pied pour mettre l'appareil de niveau.                                                                                       |
|                                                                               | L'appareil touche un objet situé à proximité.                                     | Retirez les objets autour de l'appareil.                                                                                               |
| Un léger son doit être entendu comme celui de l'eau courante.                 | Cela est normal.                                                                  | /                                                                                                                                      |
| Un bip d'alarme retentit.                                                     | La porte du compartiment de rangement du réfrigérateur est ouverte.               | Fermez la porte ou éteignez l'alarme manuellement.                                                                                     |
| Vous entendrez un léger bourdonnement.                                        | Le système anti-condensation fonctionne.                                          | Cela empêche la condensation et est normal.                                                                                            |
| Le système d'éclairage ou de refroidissement à l'intérieur ne fonctionne pas. | La fiche secteur n'est pas branchée dans la prise secteur.                        | Branchez la fiche secteur.                                                                                                             |
|                                                                               | L'alimentation n'est pas intacte.                                                 | Vérifiez l'alimentation électrique de la pièce. Appelez la société d'électricité locale !                                              |
|                                                                               | La lampe LED est hors service.                                                    | Veillez appeler le service technique pour faire changer la lampe.                                                                      |
| Les côtés de l'appareil et de la bande de la porte se réchauffent.            | Cela est normal.                                                                  | /                                                                                                                                      |
| Il n'y a pas d'eau qui sort du bec verseur                                    | Le verrouillage n'est pas désactivé.                                              | Désactiver le verrouillage                                                                                                             |



## Coupure de courant

- ▶ En cas de coupure de courant, les aliments devraient rester froids en toute sécurité pendant 13 heures environ. Suivez ces conseils pendant une coupure de courant prolongée, en particulier en été.
- ▶ Ouvrez la porte/le tiroir le moins possible.
- ▶ Ne mettez pas d'aliments supplémentaires dans l'appareil pendant une coupure de courant.
- ▶ Si un préavis de coupure de courant est donné et que la durée de la coupure est supérieure à 13 heures, préparez des glaçons et placez-les dans un récipient en haut du compartiment réfrigérateur.
- ▶ Une inspection des aliments est requise immédiatement après la coupure de courant.
- ▶ Étant donné que la température du réfrigérateur augmentera lors d'une coupure de courant ou d'une autre panne, la durée de conservation et la qualité alimentaire des aliments seront réduites. Tout aliment décongelé doit être consommé ou cuit et recongelé (le cas échéant) peu de temps après afin de prévenir les risques pour la santé.



### Remarque

#### Fonction mémoire pendant la coupure de courant

Lorsque le courant revient, l'appareil continue à fonctionner avec les réglages définis avant la panne de courant.

Pour contacter l'assistance technique, visitez notre site web :  
<https://corporate.haier-europe.com/en/>

Dans la rubrique « site web », choisissez la marque de votre produit et votre pays. Vous serez redirigé vers le site Internet spécifique où vous trouverez le numéro de téléphone et les autres moyens de contacter l'assistance technique.

## Déballage



### AVERTISSEMENT !

- ▶ L'appareil est lourd. Manipulez-le toujours avec au moins deux personnes.
- ▶ Conservez tous les emballages hors de la portée des enfants, puis jetez-les d'une manière respectueuse de l'environnement.
- ▶ Sortez l'appareil de l'emballage.
- ▶ Retirez tous les matériaux d'emballage.

## Conditions environnementales

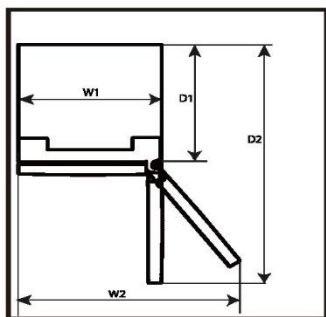
La température ambiante doit toujours être comprise entre 10 °C et 43 °C, car elle peut influencer la température à l'intérieur de l'appareil et sa consommation d'énergie. N'installez pas l'appareil à proximité d'autres appareils générant de la chaleur (fours, réfrigérateurs) sans isolation.

## Réversibilité de la porte

Avant l'installation permanente de l'appareil, vérifiez la bonne position de la charnière de porte. Si nécessaire, reportez-vous à la section RÉVERSIBILITÉ DE LA PORTE.

## Espace requis

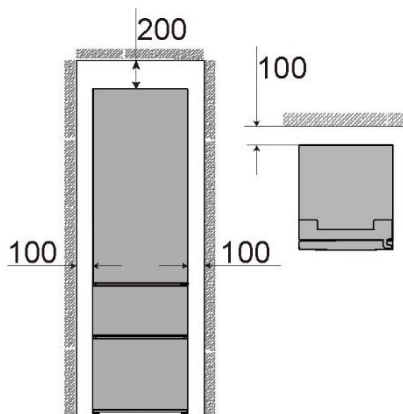
Espace requis lorsque la porte est ouverte :



| Largeur de l'appareil en mm |     | Profondeur de l'appareil en mm |       |
|-----------------------------|-----|--------------------------------|-------|
| L1                          | L2  | P1                             | P2    |
| 595                         | 918 | 600                            | 1 220 |

## Coupe transversale de ventilation

Pour obtenir une ventilation suffisante de l'appareil pour des raisons de sécurité, il convient de respecter les informations relatives aux coupes transversales de ventilation requises.



## Réversibilité de la porte

Avant de brancher l'appareil sur l'alimentation électrique, vérifiez si le battant de porte doit passer de droite (tel qu'il est livré) à gauche, lorsque cela est requis par l'emplacement d'installation et l'utilisation.



### AVERTISSEMENT !

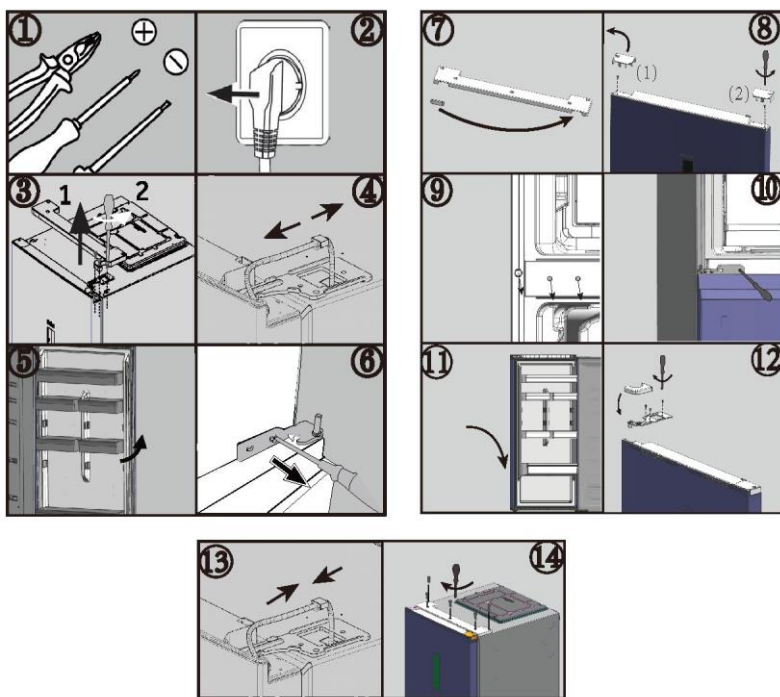
- ▶ L'appareil est lourd. Vous avez besoin de deux personnes pour changer la porte de côté.
- ▶ Avant toute opération, débranchez tout d'abord l'appareil du secteur.
- ▶ N'inclinez pas l'appareil à plus de 45° pour éviter d'endommager le système de refroidissement.

FR

## Étapes du montage

1. Munissez-vous de l'outil nécessaire.
2. Débranchez l'appareil.
3. Retirez le cache de la charnière supérieure (1) et dévissez la charnière supérieure (trois vis) sur le côté droit (2).
4. Débranchez le câble de raccordement.
5. Soulevez soigneusement la porte du réfrigérateur défaite pour la retirer de la charnière inférieure.
6. Retirez la charnière inférieure de la porte supérieure.
7. Retirez le petit couvercle du panneau avant de gauche à droite.
8. Retournez la porte et dévissez le couvercle (1). Retirez le nouveau couvercle (2) du sac fourni et vissez-le sur le côté opposé.
9. Changez les positions des bouchons d'obturation et de la vis latérale.
10. Vissez la charnière inférieure sur le côté gauche de l'appareil.
11. Soulevez avec précaution la porte supérieure sur la charnière inférieure. Assurez-vous que le pivot s'insère dans le cylindre de charnière de la porte inférieure.
12. Sortez la nouvelle charnière supérieure et le nouveau couvercle de charnière du sac d'accessoires. Faites passer le câble de connexion à travers la charnière supérieure et fixez la charnière supérieure avec les trois vis du côté gauche de l'appareil. Ensuite, placez le couvercle sur la charnière.
13. Branchez le câble de connexion.
14. Remplacez le panneau avant et fixez-le à l'aide de cinq vis.

Après le changement de porte, vérifiez si les joints de porte sont correctement placés sur le bâti et que toutes les vis sont bien serrées.



## Températures ambiantes

Tempéré étendu : « cet appareil de réfrigération est destiné à être utilisé à des températures ambiantes allant de 10 °C à 32 °C » ;

Tempéré : « cet appareil de réfrigération est destiné à être utilisé à des températures ambiantes allant de 16 °C à 32 °C » ;

Subtropical : « cet appareil de réfrigération est destiné à être utilisé à des températures ambiantes allant de 16 °C à 38 °C » ;

Tropical : « cet appareil de réfrigération est destiné à être utilisé à des températures ambiantes allant de 16 °C à 43 °C ».

## Fiche du produit selon la réglementation UE n° 2019/2016

D'après les résultats des tests standard pendant 24 heures. La consommation d'énergie réelle dépendra des conditions d'utilisation et de l'emplacement de l'appareil

|                                                                                                                       |                           |                           |                           |
|-----------------------------------------------------------------------------------------------------------------------|---------------------------|---------------------------|---------------------------|
| Marque commerciale                                                                                                    | Haier                     | Haier                     | Haier                     |
| Référence du modèle                                                                                                   | HTW5618DN*                | HTW5620DN*                | HTW5618DW*                |
| Catégorie du modèle                                                                                                   | Réfrigérateur-congélateur | Réfrigérateur-congélateur | Réfrigérateur-congélateur |
| Classe d'efficacité énergétique                                                                                       | D                         | D                         | D                         |
| Consommation d'énergie annuelle (kWh/an)                                                                              | 217                       | 226                       | 216                       |
| Volume du réfrigérateur (l)                                                                                           | 201                       | 255                       | 198                       |
| Volume de congélation (l)                                                                                             | 125                       | 125                       | 125                       |
| Volume My Zone (l)                                                                                                    | 34                        | 34                        | 34                        |
| Nombre d'étoiles                                                                                                      | 4                         | 4                         | 4                         |
| Système de dégivrage                                                                                                  | Oui                       | Oui                       | Oui                       |
| Sécurité de coupure de courant (h)/ Temps de montée en température (h)                                                | 13                        | 13                        | 13                        |
| Capacité de congélation (kg/24h)                                                                                      | 10                        | 10                        | 10                        |
| Classe climatique<br>Cet appareil est destiné à être utilisé à une température ambiante comprise entre 10 °C et 43 °C | SN/N/ST/T                 | SN/N/ST/T                 | SN/N/ST/T                 |
| Classe d'émission de bruit et émissions acoustiques dans l'air (dB(A) re 1 pW)                                        | 35                        | 35                        | 35                        |

## Données techniques

|                                                                                                                                |                           |                           |
|--------------------------------------------------------------------------------------------------------------------------------|---------------------------|---------------------------|
| Marque commerciale                                                                                                             | Haier                     | Haier                     |
| Référence du modèle                                                                                                            | HTW5618CN*                | HTW5620CN*                |
| Catégorie du modèle                                                                                                            | Réfrigérateur-congélateur | Réfrigérateur-congélateur |
| Classe d'efficacité énergétique                                                                                                | C                         | C                         |
| Consommation d'énergie annuelle (kWh/an)                                                                                       | 173                       | 181                       |
| Volume du réfrigérateur (l)                                                                                                    | 201                       | 255                       |
| Volume de congélation (l)                                                                                                      | 125                       | 125                       |
| Volume My Zone (l)                                                                                                             | 34                        | 34                        |
| Nombre d'étoiles                                                                                                               | 4                         | 4                         |
| Système de dégivrage                                                                                                           | Oui                       | Oui                       |
| Sécurité de coupure de courant (h)/<br>Temps de montée en température (h)                                                      | 13                        | 13                        |
| Capacité de congélation (kg/24h)                                                                                               | 10                        | 10                        |
| Classe climatique<br>Cet appareil est destiné à être<br>utilisé à une température<br>ambiante comprise entre<br>10 °C et 43 °C | SN/N/ST/T                 | SN/N/ST/T                 |
| Classe d'émission de bruit<br>et émissions acoustiques<br>dans l'air (dB(A) re 1 pW)                                           | 35                        | 35                        |

## Fiche du produit selon la réglementation UE n° 2019/2016

D'après les résultats des tests standard pendant 24 heures. La consommation d'énergie réelle dépendra des conditions d'utilisation et de l'emplacement de l'appareil

|                                                                                                                       |                           |                           |                           |
|-----------------------------------------------------------------------------------------------------------------------|---------------------------|---------------------------|---------------------------|
| Marque commerciale                                                                                                    | Haier                     | Haier                     | Haier                     |
| Référence du modèle                                                                                                   | HDPW5618DN*               | HDPW5620DN*               | HDPW5618DW*               |
| Catégorie du modèle                                                                                                   | Réfrigérateur-congélateur | Réfrigérateur-congélateur | Réfrigérateur-congélateur |
| Classe d'efficacité énergétique                                                                                       | D                         | D                         | D                         |
| Consommation d'énergie annuelle (kWh/an)                                                                              | 214                       | 220                       | 214                       |
| Volume du réfrigérateur (l)                                                                                           | 201                       | 255                       | 198                       |
| Volume de congélation (l)                                                                                             | 117                       | 117                       | 117                       |
| Volume My Zone (l)                                                                                                    | 34                        | 34                        | 34                        |
| Nombre d'étoiles                                                                                                      | 4                         | 4                         | 4                         |
| Système de dégivrage                                                                                                  | Oui                       | Oui                       | Oui                       |
| Sécurité de coupure de courant (h)/ Temps de montée en température (h)                                                | 13                        | 13                        | 13                        |
| Capacité de congélation (kg/24h)                                                                                      | 10                        | 10                        | 10                        |
| Classe climatique<br>Cet appareil est destiné à être utilisé à une température ambiante comprise entre 10 °C et 43 °C | SN/N/ST/T                 | SN/N/ST/T                 | SN/N/ST/T                 |
| Classe d'émission de bruit et émissions acoustiques dans l'air (dB(A) re 1 pW)                                        | 35                        | 35                        | 35                        |

|                                                                                                                       |                           |                           |                           |
|-----------------------------------------------------------------------------------------------------------------------|---------------------------|---------------------------|---------------------------|
| Marque commerciale                                                                                                    | Haier                     | Haier                     | Haier                     |
| Référence du modèle                                                                                                   | HDPW5618CN*               | HDPW5620CN*               | HDPW5620AN*               |
| Catégorie du modèle                                                                                                   | Réfrigérateur-congélateur | Réfrigérateur-congélateur | Réfrigérateur-congélateur |
| Classe d'efficacité énergétique                                                                                       | C                         | C                         | A                         |
| Consommation d'énergie annuelle (kWh/an)                                                                              | 171                       | 176                       | 114                       |
| Volume du réfrigérateur (l)                                                                                           | 201                       | 255                       | 255                       |
| Volume de congélation (l)                                                                                             | 117                       | 117                       | 120                       |
| Volume My Zone (l)                                                                                                    | 34                        | 34                        | 34                        |
| Nombre d'étoiles                                                                                                      | 4                         | 4                         | 4                         |
| Système de dégivrage                                                                                                  | Oui                       | Oui                       | Oui                       |
| Sécurité de coupure de courant (h)/ Temps de montée en température (h)                                                | 13                        | 13                        | 16                        |
| Capacité de congélation (kg/24h)                                                                                      | 10                        | 10                        | 10                        |
| Classe climatique<br>Cet appareil est destiné à être utilisé à une température ambiante comprise entre 10 °C et 43 °C | SN/N/ST/T                 | SN/N/ST/T                 | SN/N/ST/T                 |
| Classe d'émission de bruit et émissions acoustiques dans l'air (dB(A) re 1 pW)                                        | 35                        | 35                        | 35                        |



## Données techniques supplémentaires

| Référence du modèle         | HTW5618D*                            | HTW5620DN*        | HTW5618CN*        | HTW5620CN*        |
|-----------------------------|--------------------------------------|-------------------|-------------------|-------------------|
| Volume total (l)            | 360<br>(357 pour<br>HTW5618DWMG(UK)) | 414               | 360               | 414               |
| Tension/<br>Fréquence       | 220-240 V ~/50 Hz                    | 220-240 V ~/50 Hz | 220-240 V ~/50 Hz | 220-240 V ~/50 Hz |
| Courant<br>d'entrée (A)     | 1,4 A                                | 1,4 A             | 1,4 A             | 1,4 A             |
| Fusible<br>principal (A)    | 16 A                                 | 16 A              | 15 A              | 15 A              |
| Réfrigérant/<br>quantité    | R600a/53g                            | R600a/53g         | R600a/50g         | R600a/50g         |
| Dimensions<br>(L/P/H en mm) | 595*667*1 850                        | 595*667*2 050     | 595*667*1 850     | 595*667*2 050     |

| Référence du modèle         | HDPW5618D*    | HDPW5618DW*   | HDPW5620DN*   |
|-----------------------------|---------------|---------------|---------------|
| Volume total (l)            | 352           | 349           | 406           |
| Tension/<br>Fréquence       | 220-240/50 Hz | 220-240/50 Hz | 220-240/50 Hz |
| Courant<br>d'entrée (A)     | 1,4 A         | 1,4 A         | 1,4 A         |
| Fusible<br>principal (A)    | 16 A          | 16 A          | 16 A          |
| Réfrigérant/<br>quantité    | R600a/53g     | R600a/53g     | R600a/53g     |
| Dimensions<br>(L/P/H en mm) | 595*667*1 850 | 595*667*1 850 | 595*667*2 050 |

| Référence du modèle         | HDPW5618CN*   | HDPW5620CN*   | HDPW5620AN*   |
|-----------------------------|---------------|---------------|---------------|
| Volume total (l)            | 352           | 406           | 409           |
| Tension/<br>Fréquence       | 220-240/50 Hz | 220-240/50 Hz | 220-240/50 Hz |
| Courant d'entrée (A)        | 1,4 A         | 1,4 A         | 1,4 A         |
| Fusible principal (A)       | 15 A          | 15 A          | 15 A          |
| Réfrigérant/<br>quantité    | R600a/50g     | R600a/50g     | R600a/50g     |
| Dimensions<br>(L/P/H en mm) | 595*667*1 850 | 595*667*2 050 | 595*667*2 050 |

### Normes et directives

Ce produit satisfait aux exigences de toutes les directives CE applicables avec les normes harmonisées correspondantes, qui prévoient le marquage CE.

Nous recommandons notre Service clientèle Haier et l'utilisation de pièces détachées d'origine.

Si vous rencontrez un problème avec votre appareil, veuillez d'abord consulter le paragraphe DÉPANNAGE.

Si vous ne trouvez pas de solution, veuillez contacter

- ▶ votre revendeur local ou
- ▶ notre centre de service d'appel européen (voir les numéros de téléphone ci-dessous) ou
- ▶ l'espace Service & Assistance à l'adresse [www.haier.com](http://www.haier.com) où vous pouvez activer la demande
- ▶ de service et trouver également les FAQ.

Pour contacter notre Service, assurez-vous que vous disposez des données suivantes. Les informations se trouvent sur la plaque signalétique.

Modèle \_\_\_\_\_

N° de série \_\_\_\_\_

Vérifiez également la carte de garantie fournie avec le produit en cas de garantie.

| Centre de service d'appel européen |                     |                                                                                                                                       |
|------------------------------------|---------------------|---------------------------------------------------------------------------------------------------------------------------------------|
| Pays*                              | Numéro de téléphone | Coûts                                                                                                                                 |
| Haier Italy (IT)                   | 199 100 912         |                                                                                                                                       |
| Haier Spain (ES)                   | 902 509 123         |                                                                                                                                       |
| Haier Germany (DE)                 | 0180 5 39 39 99     | <ul style="list-style-type: none"> <li>• 14 centimes/min ligne fixe</li> <li>• max 42 centimes/min mobile</li> </ul>                  |
| Haier Austria (AT)                 | 0820 001 205        | <ul style="list-style-type: none"> <li>• 14,53 centimes/min ligne fixe</li> <li>• max 20 centimes/min pour tous les autres</li> </ul> |
| Haier United Kingdom (UK)          | 0333 003 8122       |                                                                                                                                       |
| Haier France (FR)                  | 0980 406 409        |                                                                                                                                       |

\* Pour d'autres pays, veuillez vous référer à [www.haier.com](http://www.haier.com)

Haier Europe Trading S.r.l

Filiale Royaume-Uni

Westgate House, Westgate, Ealing

Londres, W5 1YY

\*Durée de la garantie de l'appareil de réfrigération :

La garantie minimale est : 2 ans pour les pays de l'UE, 3 ans pour la Turquie, 1 an pour le Royaume-Uni, 1 an pour la Russie, 3 ans pour la Suède, 2 ans pour la Serbie, 5 ans pour la Norvège, 1 an pour le Maroc, 6 mois pour l'Algérie, aucune garantie légale pour la Tunisie.

\*La période des pièces détachées pour la réparation de l'appareil :

Les thermostats, les capteurs de température, les circuits imprimés et les sources de lumière sont disponibles pendant une période minimale de sept ans après la mise sur le marché de la dernière unité du modèle.

Poignées de porte, charnières de porte, bacs et paniers pendant une période minimale de sept ans et joints de porte pendant une période minimale de 10 ans, après la mise sur le marché de la dernière unité du modèle.

\*Pour plus d'informations sur le produit, consultez <https://eprel.ec.europa.eu/> ou scannez le code QR sur l'étiquette énergétique fournie avec l'appareil.

|                                   |     |
|-----------------------------------|-----|
| Biztonsági információk.....       | 397 |
| Rendeltetésszerű használat.....   | 403 |
| Termékleírás .....                | 404 |
| Vezérlőpanel.....                 | 410 |
| Használat .....                   | 411 |
| Wi-Fi használata.....             | 416 |
| Használat .....                   | 417 |
| Energiatakarékossági tippek ..... | 420 |
| Berendezés .....                  | 421 |
| Ápolás és tisztítás.....          | 425 |
| Hibaelhárítás .....               | 429 |
| Telepítés.....                    | 433 |
| Műszaki adatok.....               | 436 |
| Ügyfélszolgálat.....              | 442 |

---

**Köszönjük, hogy Haier terméket vásárolt.**

A készülék használata előtt olvassa el figyelmesen ezeket az utasításokat. Az utasítások fontos információkat tartalmaznak, amelyek segítenek abban, hogy a lehető legjobban átlássa a készülék használatát, és szavatolják a biztonságos és megfelelő telepítést, használatot és karbantartást.

Tartsa ezt a kézikönyvet könnyen elérhető helyen, hogy bármikor fellapozhassa a készülék biztonságos és megfelelő használatához.

Ha eladja a készüléket, elajándékozza, vagy a lakásban hagyja költözéskor, győződjön meg arról, hogy ezt a kézikönyvet is átadja, hogy az új tulajdonos megismerhesse a készüléket és a biztonsági figyelmeztetéseket a kézikönyv segítségével.



## FIGYELMEZTETÉS - Fontos biztonsági információk



## MEGJEGYZÉS - Általános információk és tippek



## Környezetvédelmi információk

HU



### Ártalmatlanítás

Járuljon hozzá a környezet és az emberi egészség védelméhez. Az újrahasznosítás érdekében a csomagolást a megfelelő hulladéktárolóba selejtezze ki. Járuljon hozzá az elektromos és elektronikus berendezések hulladékainak az újrahasznosításához. Ne a háztartási hulladékkal együtt dobja ki az ezzel a szimbólummal jelölt készülékeket. Vigye vissza a terméket a helyi újrahasznosító létesítménybe, vagy vegye fel a kapcsolatot a helyi hivatallal.



## FIGYELMEZTETÉS!

Sérülés vagy fulladás veszélye!

A hűtőközegeket és a gázokat szakszerűen kell ártalmatlanítani. Győződjön meg a hűtőkör csövének a sértetlenségéről, mielőtt megfelelően ártalmatlanítaná. Válassza le a készüléket a hálózati tápellátásról. Vágja el a hálózati kábelt és selejtezze ki. Távolítsa el a tálcákat és fiókokat, valamint az ajtóreteszt és a tömitéseket, hogy megakadályozza a gyermekek és háziállatok bezáródását a készülékbe.

## A készülék első bekapcsolása előtt olvassa el a következő biztonsági tanácsokat:



### FIGYELMEZTETÉS:

#### Első használat előtt

- ▶ Győződjön meg arról, hogy szállítás során a termék nem sérült.
- ▶ Távolítsa el az összes csomagolóanyagot, és tartsa gyermekektől elzárva.
- ▶ A készülék telepítése előtt várjon legalább két órát a hűtőkör teljes hatékonyságának biztosítása érdekében.
- ▶ Mivel a készülék nehéz, mindig legalább két személy szükséges a kezeléséhez vagy mozgatásához.

#### Telepítés

- ▶ A készüléket jól szellőző helyre telepítse. Biztosítson legalább 10 cm-es helyet a készülék felett és körül.
- ▶ Soha ne helyezze a készüléket nedves területre vagy olyan helyre, ahol víz fröccsenhet rá. A vízfröccsenéseket és a foltokat törölje le és szárazra puha, tiszta törlőkendővel.
- ▶ Ne szerelje be a készüléket közvetlen napsugárzásnak kitett helyre vagy hőforrások (pl. kályhák, fűtőberendezések) közelébe.
- ▶ A méretének és felhasználásnak megfelelő helyre szerelje be és állítsa szintbe a készüléket.
- ▶ A berendezésen vagy a beépített szerkezetben a szellőzőnyílásokat ne takarja el.
- ▶ Bizonyosodjon meg arról, hogy az adattáblán olvasható elektromos jellemzők megfelelnek az elérhető tápellátás jellemzőinek. Ellenkező esetben forduljon villanyszerelőhöz.
- ▶ A készülék 220–240 V váltóáramú, 50 Hz-es tápellátást igényel. A rendellenes feszültségingadozás nyomán előfordulhat, hogy a készülék nem indul be, károsodhat a hőmérséklet-vezérlő vagy a kompresszor, illetve működés során rendellenes zajjelentkezhet. Hasonló esetben szereljen fel automatikus feszültségszabályozót.
- ▶ A tápellátáshoz külön földelt aljzatot használjon, amely könnyen hozzáférhető. A készülék mindenképpen földelésre szorul.
- ▶ Csak az Egyesült Királyság esetén: A készülék tápkábele 3 érintkezős (földeléses) dugaszal rendelkezik, amelyik szabványos 3 érintkezős (földeléses) aljzathoz illeszkedik. Soha ne vágja le vagy távolítsa el a harmadik érintkezőt (földelést). A készülék beszerelését követően a dugaszhoz hozzáférhetőnek kell maradnia.
- ▶ Ne használjon többdugós adaptereket és hosszabbítókábeleket.
- ▶ Ügyeljen arra, hogy a tápkábel ne szoruljon a hűtőszekrény alá. Ne lépjen a tápkábelre.
- ▶ Ne okozza a hűtőkörzeg kör sérülését.
- ▶ Ne helyezzen több hordozható csatlakozót vagy hordozható tápegységet a berendezés mögé.





## FIGYELMEZTETÉS:

### Napi használat

- ▶ A berendezést 8 évnél idősebb gyermekek vagy csökkent fizikai, érzékszervi vagy mentális képességű, vagy tapasztalattal és ismerettel nem rendelkező személyek akkor használhatják, ha felügyelet alatt állnak vagy ha megfelelő utasításokkal látták el őket a berendezés biztonságos használatára vonatkozóan, valamint megértették a használatból eredő veszélyeket.
- ▶ Gyermekek nem játszhatnak a berendezéssel.
- ▶ A 3 és 8 év közötti gyermekek be- és kirakodhatják a hűtőkészülékeket, de tisztításukat és szerelésüket nem végezhetik.
- ▶ Tartsa távol a 3 év alatti gyermekeket a készüléktől, hacsak nem biztosít folyamatos felügyeletet.
- ▶ A berendezés tisztítását és karbantartását gyermekek csak felügyelet alatt végezhetik.
- ▶ A készüléket úgy kell elhelyezni, hogy a csatlakozó hozzáférhető legyen.
- ▶ Ha hűtőgáz vagy más gyúlékony gáz szivárog a készülék közelében, zárja el a szivárgó gáz szelepét, nyissa ki az ajtókat és ablakokat, és ne húzza ki a hűtőszekrény/ fagyasztó vagy más készülék tápkábelének a dugaszát.
- ▶ Vegye figyelembe, hogy a készülék 10 °C és 43 °C közötti környezeti hőmérsékleten való működésre készült. Előfordulhat, hogy a készülék nem működik megfelelően, ha hosszabb ideig a jelzett tartomány feletti vagy alatti hőmérsékleten üzemel.
- ▶ Ne helyezzen instabil cikkeket (nehéz tárgyakat, vízzel teli edényeket) a hűtőszekrény/ fagyasztó tetejére, elkerülve így a személyi sérüléseket, amiket ezen tárgyak leesése vagy a vízzel való érintkezés nyomán bekövetkező áramütés okozhat.
- ▶ Ne húzza meg az ajtópolcokat. Az ajtó elferdülhet, kihúzhatja a helyéről a palacktartót, vagy a készülék felborulhat.
- ▶ Az ajtó nyitásához vagy becsukásához kizárólag a fogantyúkat használja. Az ajtó és a szekrény közötti rés nagyon szűk. Ne tegye a kezét ezekre a területekre, mivel becsípődhetnek az ujjai. Csak akkor nyissa ki vagy csukja be a hűtőszekrény/ fagyasztó ajtaját, ha nem állnak gyermekek az ajtó mozgási tartományán belül.
- ▶ Soha ne tároljon palackozott sört vagy italokat, folyadékokat palackokban vagy kannákban (magas alkoholtartalmú italok kivételével), különösen szénsavas italokat a fagyasztóban, mert ezek szétrobbannak fagyasztás közben.
- ▶ Ne tároljon robbanásveszélyes anyagokat, például gyúlékony hajtóanyagot tartalmazó aeroszolos palackot a berendezésben.



### FIGYELMEZTETÉS:

- ▶ A készülékben ne tároljon gyógyszereket, baktériumokat vagy vegyszereket. Ez a készülék háztartási készülék. Nem javasoljuk olyan anyagok tárolását, amelyek szűk hőmérséklet-tartományban tárolhatók.
- ▶ Az élelmiszerek szennyeződésének az elkerülése érdekében, kérjük, tartsa be a következő utasításokat:
- ▶ - Ha hosszú ideig nyitva tartja az ajtót, a készülék rekeszeiben jelentősen megemelkedhet a hőmérséklet.
- ▶ - Rendszeres időközönként tisztítsa meg az élelmiszerekkel érintkező felületeket, illetve a hozzáférhető vízelvezető csatornákat.
- ▶ - Tisztítsa meg a víztartályokat, amennyiben ezeket nem használta 48 óránál hosszabb ideje; öblítse át a vízellátáshoz csatlakoztatott vízrendszert, ha nem csapolt vizet legalább 5 napig.
- ▶ - A nyers húst és halat megfelelő tartályokban tárolja a fagyasztón belül, hogy ne érintkezhessenek egyéb élelmiszerekkel, illetve levük ne csepeghessen egyéb élelmiszere.
- ▶ - A kétszillagos fagyasztott élelmiszerek rekeszei alkalmasak előfagyasztott élelmiszerek tárolására, fagylalt tárolására vagy készítésére, illetve jégkockák készítésére.
- ▶ - Az egy-, két- és háromszillagos rekeszek nem alkalmasak a friss élelmiszerek fagyasztásához.
- ▶ - Ha a hűtőberendezést hosszú ideig üresen hagyja, kapcsolja ki, olvassa le, tisztítsa meg, szárítsa ki, illetve hagyja az ajtót nyitva, így megelőzve penész megjelenését a készülékben.
- ▶ Ellenőrizze az élelmiszer állapotát, ha a fagyasztóban felmelegedett a hőmérséklet.
- ▶ Ne állítson be szükségtelenül alacsony hőmérsékletet a hűtőrekeszben. Magas teljesítménybeállítások esetén mínusz fokok alakulhatnak ki. Figyelem: A palackok szétrobbanhatnak.
- ▶ Ne nyúljon fagyott tárgyakhoz nedves kézzel (viseljen kesztyűt). Különösen ne egyen jeges nyalókát közvetlenül a fagyasztóból való kivétel után. Fennáll a fagsérülések vagy a hólyagok kialakulásának veszélye. **ELSŐSEGÉLYNYÚJTÁS:** tartsa a sérülést azonnal folyó hideg víz alá. Ne húzza el!
- ▶ Működés közben ne érintse meg a fagyasztórekesz belső felületét, különösen nedves kézzel, mert a keze a felülethez fagyhat.
- ▶ Áramszünet esetén vagy tisztítás előtt húzza ki a készüléket az alzatból. A készülék újraindítása előtt várjon legalább 7 percet, mivel a készülék gyakori indítása során károsodhat a kompresszor
- ▶ Ne használjon elektromos berendezéseket a berendezés élelmiszer tároló rekeszében, kivéve a gyártó által jóváhagyott típust



## FIGYELMEZTETÉS:

### Karbantartás / tisztítás

- ▶ Gondoskodjon a gyermekek felügyeletéről, ha tisztítást vagy karbantartást végeznek.
- ▶ A rutinszerű karbantartás megkezdése előtt húzza ki a készüléket a villanyhálózatból. A készülék újraindítása előtt várjon legalább 5 percet, mivel a készülék gyakori indítása során károsodhat a kompresszor.
- ▶ A készülék aljzatból való leválasztásakor ne a kábelt, hanem a csatlakozódugót húzza.
- ▶ Ne tisztítsa a készüléket keménysörtés kefékkel, drótkefékkel, mosóporral, benzinnel, amil-acetáttal, acetonnal és hasonló szerves oldatokkal, valamint savas vagy lúgos oldatokkal. A károsodások elkerülése érdekében a hűtőszelekt/ fagyasztó tisztítását speciális, adott célra kialakított tisztítószerrel végezze. Esetleg használjon meleg vizet és szódadikarbóna oldatot: körülbelül egy evőkanál szódadikarbónát adagoljon egy liter vízhez. Öblítse át alaposan vízzel, majd törölje szárazra. Ne használjon poralapú tisztítószeret vagy egyéb súrolószeret. Az eltávolítható alkatrészeket ne mossa mosogatógépben.
- ▶ Ne kaparja le a fagyot és a jeget éles tárgyakkal. A műanyag alkatrészek károsodásának elkerülése érdekében ne használjon spray-t, elektromos hevítő berendezést, például fűtőberendezést, hajszárítót, gőztisztítót vagy más hőforrást.
- ▶ A kiolvasztási folyamat felgyorsításához csak a gyártó által javasolt mechanikai berendezéseket vagy egyéb eszközöket használja.
- ▶ Ha a tápkábel megsérül, a veszély elkerülése érdekében cseréltesse ki a gyártóval, a gyártó szervizközpontjával vagy más szakemberrel.
- ▶ Ne tegyen kísérletet a készülék saját kezű javítására, szétszerelésére vagy módosítására. Javítás szükségessége esetén vegye fel a kapcsolatot az ügyfélszolgálatunkkal.
- ▶ Ha a világítószerelvények megsérülnek, a veszély elkerülése érdekében cseréltesse ki azokat a gyártóval, a gyártó szervizközpontjával vagy hasonlóan képzett szakemberrel.
- ▶ Évente legalább egyszer távolítsa el a port a készülék hátoldaláról, így elkerülve a tűzveszélyt, valamint a megnövekedett energiafogyasztást.
- ▶ Tisztítás közben ne permetezze vagy öblítse le a készüléket.
- ▶ Ne használjon vízpermetet vagy gőzt a készülék tisztításához.
- ▶ Ne tisztítsa a hideg üvegpolicokat vagy az üvegajtót forró vízzel.
- ▶ A hirtelen hőmérsékletváltozás nyomán az üveg eltörhet.
- ▶ Ha hosszabb ideig nem használja a készüléket, hagyja nyitva, hogy megakadályozza az állott és kellemetlen szag kialakulását.

## Gázalapú hűtőközegekre vonatkozó információk



### FIGYELMEZTETÉS:

A készülék gyúlékony IZOBUTÁN (R600a) hűtőközeget tartalmaz. Győződjön meg arról, hogy a hűtőközeg köre nem sérült meg szállítás vagy beszerelés közben. A szivárgó hűtőközeg szemsérülést okozhat, vagy belobbanhat. Sérülés esetén tartsa távol a tűzforrásokat, szellőztesse ki alaposan a helyiséget, ne csatlakoztassa, vagy húzza ki a készülék vagy egyéb készülék tápkábelét. Tájékoztassa az ügyfélszolgálatot.

Ha a hűtőközeg szembe kerül, akkor azonnal öblítse ki folyó víz alatt, és azonnal forduljon szemész szakorvoshoz.

A hűtőrendszerben nagy nyomás uralkodik. Ne tegyen kísérletet semmilyen beavatkozásra. Mivel a készülék gyúlékony hűtőközeget használ, kérjük, a készüléket szigorúan az utasításoknak megfelelően telepítse, kezelje és szervizelje, a készülék kiselejtezése tekintetében pedig vegye fel a kapcsolatot és lépjen kapcsolatba szakemberrel vagy a vevőszolgálat munkatársaival.

Jeges vizet biztosító hűtőszekrények esetén, kérjük, vegye figyelembe a következő figyelmeztetést:

- A vízellátáshoz nem csatlakoztatható készülékek esetében: kizárólag ivóvízzel töltsse fel.
- A vízellátáshoz nem csatlakoztatható készülékek esetében: csak ivóvízhálózathoz csatlakoztatható.
- Ha meg szeretné tisztítani a vízrendszert, kérjük, olvassa el a felhasználói kézikönyvet. Bármilyen felmerülő kérdés esetén vegye fel a kapcsolatot a vevőszolgálattal.

## Rendeltetésszerű használat

Ez a készülék élelmiszerek hűtésére és fagyasztására szolgál. Kizárólag háztartási és hasonló alkalmazásokra tervezték, mint például az üzletek, irodák és egyéb munkakörnyezetek személyzeti konyháinak területei; tanyasi házakban és szállodák, motelek és egyéb lakókörnyezetben, valamint panziós és vendéglátóipari vállalkozásokban való használatra ügyfelek számára. Tervezéséből adódóan nem alkalmas kereskedelmi vagy ipari használatra. A készüléken változtatások vagy módosítások végrehajtása nem megengedett. A nem rendeltetésszerű használat veszélyeket eredményezhet, illetve a szavatossági igények érvénytelenítésével járhat.

## Szabványok és irányelvek és

A termék megfelel az összes vonatkozó EK irányelvben meghatározott követelménynek, illetve a vonatkozó harmonizált szabványoknak, amelyek alapján megilleti a CE- és az UKCA-jelölés.

## Tartozékok

Ellenőrizze a tartozékokat és a szakirodalmat ennek a listának megfelelően:

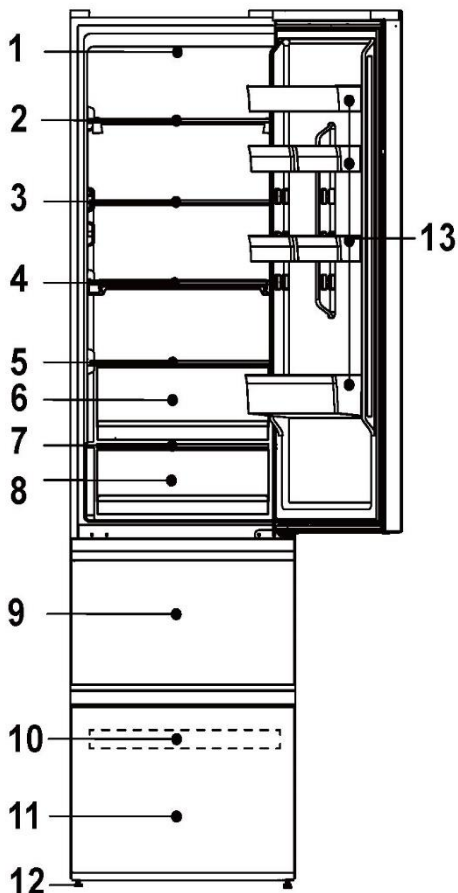


## MEGJEGYZÉS

A műszaki módosítások és különböző modellek miatt előfordulhat, hogy a kézikönyvben látható egyes ábrák eltérőek az Ön modelljéhez képest.

## **i** MEGJEGYZÉS

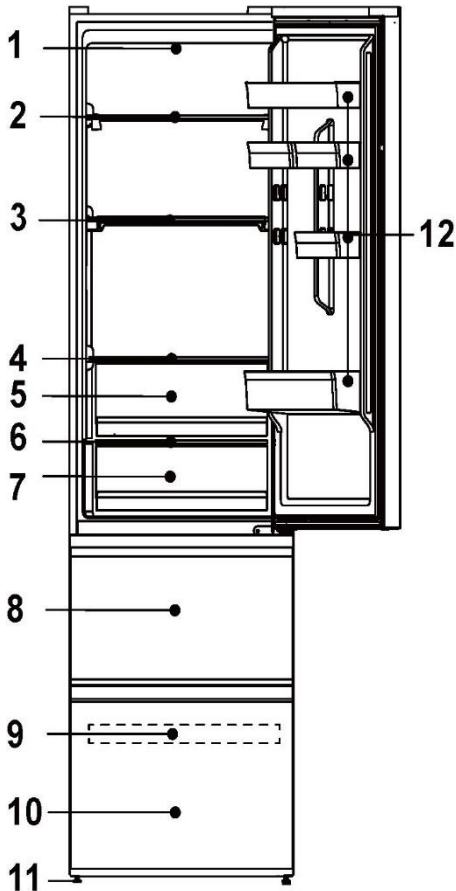
A műszaki módosítások és különböző modellek miatt előfordulhat, hogy a kézikönyvben látható egyes ábrák eltérőek a modelljéhez képest. (HTW5620\*N\*)



- 1-Hűtőszekrény LED lámpa
- 2-Bortartó
- 3-Üvegpolc
- 4-Összehajtható polc
- 5-Humidity Zone rekesz fedél
- 6-Humidity Zone rekesz
- 7-My Zone rekesz fedél
- 8-My Zone rekesz
- 9-Felső fagyasztó tárolófiók
- 10-Fagyasztó tálca
- 11-Alsó fagyasztó tárolófiók
- 12-Állítható láb
- 13-Ajtó erkélyrekesze

## **i** MEGJEGYZÉS

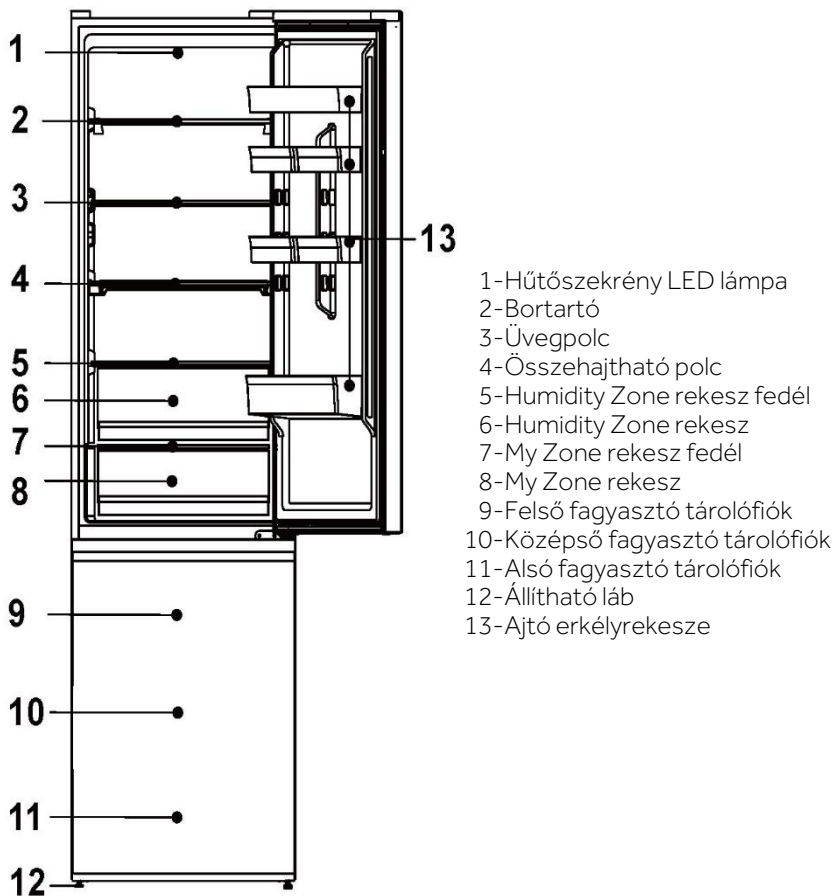
A műszaki módosítások és különböző modellek miatt előfordulhat, hogy a kézikönyvben látható egyes ábrák eltérőek a modelljéhez képest. (HTW5618\*N\*)



- 1-Hűtőszekrény LED lámpa
- 2-Bortartó
- 3-Összehajtható polc
- 4-Humidity Zone rekesz fedél
- 5-Humidity Zone rekesz
- 6-My Zone rekesz fedél
- 7-My Zone rekesz
- 8-Felső fagyasztó tárolófiók
- 9-Fagyasztó tálca
- 10-Álsó fagyasztó tárolófiók
- 11-Állítható láb
- 12-Ajtó erkélyrekesze

## **i** MEGJEGYZÉS

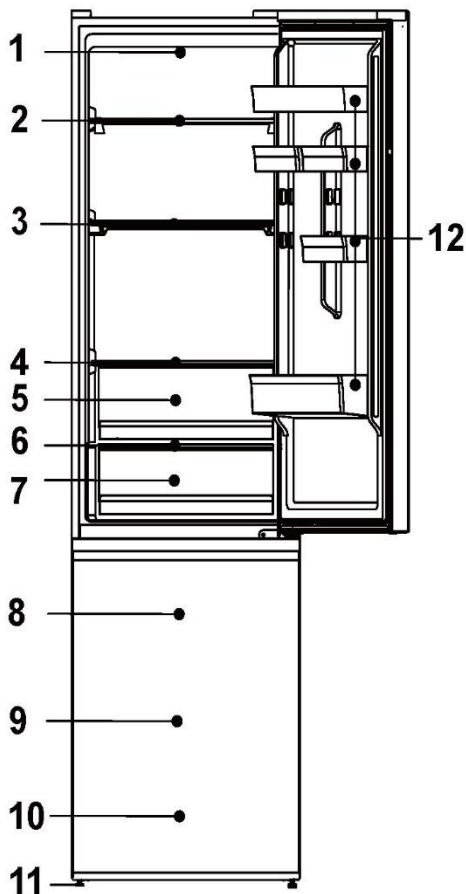
A műszaki módosítások és különböző modellek miatt előfordulhat, hogy a kézi-könyvben látható egyes ábrák eltérőek a modelljéhez képest. (HDPW5620\*N\*)





## **i** MEGJEGYZÉS

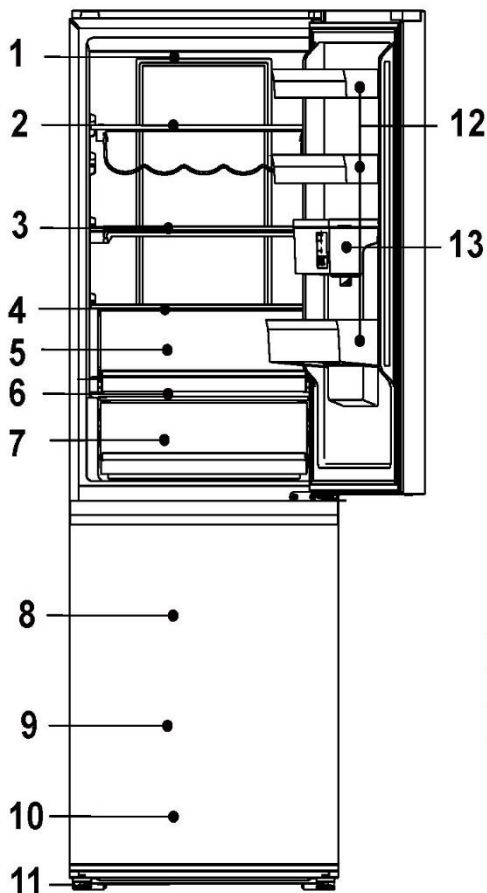
A műszaki módosítások és különböző modellek miatt előfordulhat, hogy a kézikönyvben látható egyes ábrák eltérőek a modelljéhez képest. (HDPW5618\*N\*)



- 1-Hűtőszekrény LED lámpa
- 2-Bortartó
- 3-Összehajtható polc
- 4-Humidity Zone rekesz fedél
- 5-Humidity Zone rekesz
- 6-My Zone rekesz fedél
- 7-My Zone rekesz
- 8-Felső fagyasztó tárolófiók
- 9-Középső fagyasztó tárolófiók
- 10-Alsó fagyasztó tárolófiók
- 11-Állítható láb
- 12-Ajtó erkélyrekesze

## **i** MEGJEGYZÉS

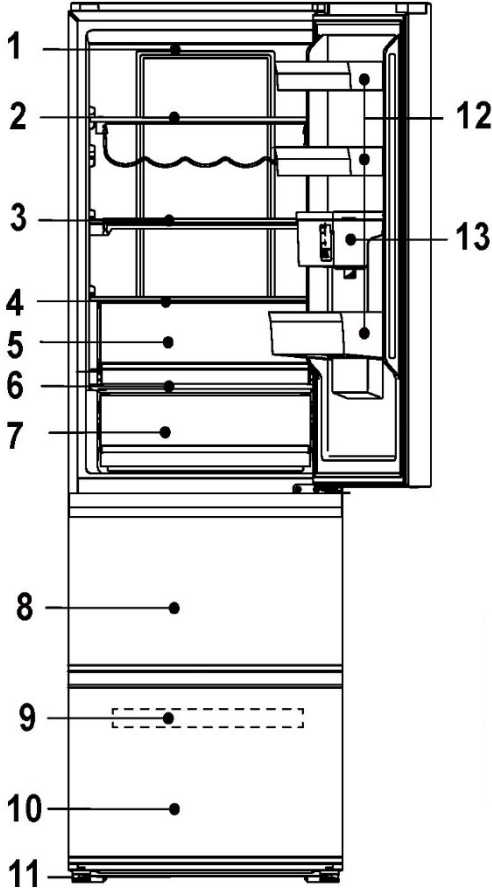
A műszaki módosítások és különböző modellek miatt előfordulhat, hogy a kézi-könyvben látható egyes ábrák eltérőek a modelljéhez képest. (HDPW5618DW\*)



- 1-Hűtőszekrény LED lámpa
- 2-Bortartó
- 3-Összehajtható polc
- 4-Humidity Zone rekesz fedél
- 5-Humidity Zone rekesz
- 6-My Zone rekesz fedél
- 7-My Zone rekesz
- 8-Felső fagyasztó tárolófiók
- 9-Középső fagyasztó tárolófiók
- 10-Alsó fagyasztó tárolófiók
- 11-Állítható láb
- 12-Ajtó erkélyrekesze
- 13-Vízartály

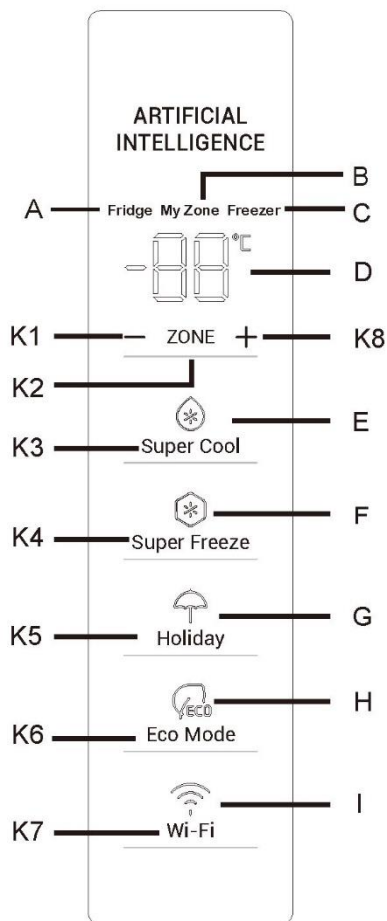
## **i** MEGJEGYZÉS

A műszaki módosítások és különböző modellek miatt előfordulhat, hogy a kézikönyvben látható egyes ábrák eltérőek a modelljéhez képest. (HTW5618DW\*)



- 1-Hűtőszekrény LED lámpa
- 2-Bortartó
- 3-Összehajtható polc
- 4-Humidity Zone rekesz fedél
- 5-Humidity Zone rekesz
- 6-My Zone rekesz fedél
- 7-My Zone rekesz
- 8-Felső fagyasztó tárolófiók
- 9-Fagyasztó tálca
- 10-Alsó fagyasztó tárolófiók
- 11-Állítható láb
- 12-Ajtó erkélyrekesze
- 13-Víztartály

## Vezérlőpanel



Gombok:

- A Hűtőrekesz
- B My Zone rekesz
- C Fagyasztórekesz
- D Hőmérséklet kijelző
- E Super Cool funkció
- F Super Freeze funkció
- G Holiday funkció
- H Eco Mode funkció
- I Wi-Fi funkció

Jelzések:

- K1 Hőmérséklet csökkentése
- K2 Hűtő, My Zone és fagyasztó kiválasztása
- K3 Super Cool funkció be/ki
- K4 Super Freeze funkció be/ki
- K5 Holiday funkció be/ki
- K6 Eco Mode funkció be/ki
- K7 Wi-Fi funkció be/ki
- K8 Hőmérséklet növelése

### Első használat előtt

Távolítson el az összes csomagolóanyagot, tartsa azokat gyermekektől elzárva, kiselejtezésükről pedig környezetbarát módon gondoskodjon.

Tisztítsa meg a készülék belsejét és külsejét, valamint a készülék belsejét és tartozékait vízzel és enyhe tisztítószerrel, és törölje alaposan szárazra puha törlőkendővel.

A készülék szintbeállítását és tisztítását követően, kérjük, várjon legalább 2 órát, mielőtt csatlakoztatná a tápellátáshoz. Lásd a TELEPÍTÉS részt.

Az étellel való feltöltés előtt hűtse le a rekeszeket magas beállítások alkalmazásával. A Super Freeze funkció elősegíti a fagyasztórekesz gyors lehűtését

## Érintésérzékeny gombok

A vezérlőpulton található gombok érintésérzékenyek, és már akkor reagálnak, ha enyhén megérinti az ujjával.

## A készülék be- és kikapcsolása

A készülék működésbe lép, amint csatlakoztatja a tápellátáshoz.

A készülék első bekapcsolásakor a „D” hőmérséklet jelzők mutatják az előre beállított értékeket (lásd az alábbi megjegyzést).

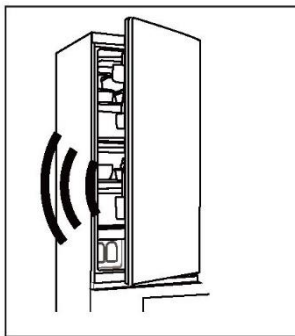
## **i** MEGJEGYZÉS

A készülék alapbeállítása gyárilag az ajánlott 5 °C (hűtőszekrény) és -18 °C (fagyasztó) hőmérséklet. A My Zone hőmérsékletének alapbeállítása megközelítőleg 2 °C. Ezek a javasolt beállítások. Ha kívánja, ezeket a hőmérsékleteket módosíthatja manuálisan.

## Nyitott ajtó riasztás

Amikor a hűtőszekrény ajtaja 3 percnél hosszabb ideig nyitva van, megszólal az ajtónyitási riasztás.

A riasztó elnémíthető az ajtó bezárásával. Ha az ajtó 7 percnél hosszabb ideig nyitva marad, a hűtőszekrényben a fény és a kezelőpanel megvilágítása automatikusan kikapcsol.



Hőmérséklet beállítása

A beltéri hőmérsékletet a következő tényezők befolyásolják:

Környezeti hőmérséklet

Az ajtónyitás gyakorisága

A tárolt élelmiszerek mennyisége

A berendezés beszerelése

## Hűtő hőmérsékletének a beállítása

1. Nyomja meg a „K2” gombot (hűtő / (My Zone) / fagyasztó kiválasztása) a hűtőrekesz kiválasztásához. Az „A” ikon (hűtőrekesz) és a „D” ikon (hőmérséklet kijelző) világít.
2. A hűtő hőmérsékletének a beállításához nyomja meg a „K1/K8” gombot. A hőmérséklet 1 °C-os lépésekben növekszik 2 °C-os minimumról 8 °C-os maximumig. A hűtőszekrényben az optimális hőmérséklet 5 °C. Alacsonyabb hőmérsékletek szükségtelen energiafogyasztást eredményeznek.
3. Körülbelül 5 másodperc elteltével a „D” (Hőmérséklet kijelző) hőmérséklet ikon folyamatosan világít, és a beállítás megerősítést nyer.

## MEGJEGYZÉS

Az alkalmazásból beállíthat egyéni hőmérsékletet úgy a hűtőszekrényben, mint a fagyasztóban. A hőmérséklet beállítása 1 °C-os pontossággal lehetséges.

## Fagyasztó hőmérsékletének a beállítása

1. Nyomja meg a „K2” (Hűtőszekrény / (My Zone) / Fagyasztó kiválasztása) érintőgombot a fagyasztórekesz kiválasztásához, a „C” (fagyasztórekesz) és a „D” (hőmérséklet kijelző) ikonok világítanak.
2. A fagyasztó hőmérsékletének beállításához nyomja meg a „K1/K8” érintőgombot.

A hőmérséklet 1 °C-os lépésekben növekszik -24 °C-os minimumról -16 °C-os maximumig. A fagyasztóban az optimális hőmérséklet -18 °C. A hidegebb hőmérséklet szükségtelen energiafogyasztást jelent.

3. Körülbelül 5 másodperc elteltével a „D” (Hőmérséklet kijelző) hőmérséklet jelzőfény folyamatosan világít, és a beállítás megerősítést nyer.

## MEGJEGYZÉS

A hőmérséklet beállítása után, ha 5 másodpercen belül megnyom valamilyen egyéb gombot, az aktuális hőmérséklet beállítás azonnal megerősítést nyer. Ha 5 másodpercen belül semmilyen gombművelet nem történik, az aktuális beállított hőmérséklet jelenik meg, amíg a képernyő ki nem kapcsol.

## My Zone hőmérsékletének a beállítása

A hűtőrekesz My Zone rekeszsel rendelkezik. Az élelmiszertárolási igényeknek megfelelően kiválaszthatja a legmegfelelőbb hőmérsékletet az élelmiszerek optimális tápértékének a szavatolásához.

1. Nyomja meg a „K2” gombot (hűtő / (My Zone) / fagyasztó kiválasztása) a My Zone kiválasztásához. A „B” ikon (My Zone rekesz) és a „D” ikon (hőmérséklet kijelző) világít. Ez kiválasztható az alkalmazásból is.
2. A My Zone hőmérsékletének beállításához nyomja meg a „K1/K8” érintőgombot. A hőmérséklet az alkalmazásban is beállítható.

A hőmérséklet 1 °C-os lépésekben növekszik 0 °C-os minimumról 5 °C-os maximumig.

3. Körülbelül 5 másodperc elteltével a „D” (Hőmérséklet kijelző) hőmérséklet ikon folyamatosan világít, és a beállítás megerősítést nyer.



### MEGJEGYZÉS

1. A My Zone rekesz hőmérsékletét beállíthatja a középső szinten (2 °C), hogy az ételeket optimális tárolási környezetben őrizze meg.
2. A húsok különböző víztartalma miatt néhány nagyobb nedvességtartalmú hús 0 °C-nál alacsonyabb hőmérsékleten fagyasztnak le. Így az „azonnal szeletelt” húst a My Zone rekeszben kell tárolni, min. 0 °C hőmérsékleten.
3. A hidegre érzékeny gyümölcsök, így például az ananász, az avokádó, a banán, a grapefruit és a zöldségek, mint például a burgonya, padlizsán, bab, uborka, cukkini, paradicsom és sajt nem tárolható a My Zone rekeszben.
4. Ha a hűtőszekrény hőmérséklete alacsonyabb, mint a My Zone hőmérséklete, akkor természetes, hogy a My Zone hőmérséklete alacsonyabb, mint a My Zone beállítási hőmérséklete.

## Super Cool funkció

1. Javasoljuk, hogy kapcsolja be a Super Cool funkciót, ha nagy mennyiségű élelmiszert kíván eltárolni (például vásárlás után). A Super Cool funkció felgyorsítja a friss élelmiszerek lehűlését, és megvédi a már lehűtött árukat a nemkívánatos felmelegedéstől.
2. Nyomja meg a „K3” gombot, vagy kapcsolja be az alkalmazásból, az „E” ikon (Super Cool funkció) világít, és ekkor a funkció bekapcsolt.

## MEGJEGYZÉS

1. A készülék kikapcsolja a „Super Cool funkciót” 6 órával a „Super Cool funkció” bekapcsolása után, vagy amikor megnyomja a „K3” gombot, amikor az „E” (Super Cool funkció) ikon világít, vagy amikor kikapcsolja a funkciót az alkalmazásból.
2. Super Cool állapotban, amikor a hűtőtér hőmérsékletét kívánja állítani, az „E” ikon (Super Cool funkció) villog, jelezve, hogy ez a művelet nem hajtható végre.

### Super-Frz funkció

1. A friss élelmiszereket a lehető leggyorsabban fagyassza le teljes mértékben. Így a lehető legjobban megőrizheti a tápértéküket, megjelenésüket és ízüket. A Super Freeze funkció felgyorsítja a friss élelmiszerek hűtését, és megvédi a már tárolt árukat a nemkívánatos felmelegedéstől. Ha egyszerre nagy mennyiségű ételt kell lefagyasztania, ajánlott a Super Freeze funkciót 24 órával azelőtt bekapcsolni, hogy betenné az élelmiszert a fagyasztórekeszbe.
2. Nyomja meg a „K4” gombot (Super Freeze funkcióbeállítás), vagy kapcsolja be az alkalmazásból, ekkor az „F” ikon (Super Freeze funkció) világít, és ekkor a funkció bekapcsol.

## MEGJEGYZÉS

1. A készülék kikapcsolja a „Super Freeze funkciót” 50 órával a „Super Freeze funkció” bekapcsolása után, vagy amikor megnyomja a „K4” gombot, amikor az „F” (Super Freeze funkció) ikon világít, vagy amikor kikapcsolja a funkciót az alkalmazásból.
2. Super Freeze állapotban, amikor a fagyasztórekesz hőmérsékletét kívánja állítani, az „F” ikon (Super Freeze funkció) villog, jelezve, hogy ez a művelet nem hajtható végre.

### Holiday funkció

A Holiday funkció a készülék energiafogyasztásának csökkentésére szolgál, amikor a készüléket nem használják a megszokott módon. Amikor a funkció be van kapcsolva, a hűtőszekrény kikapcsol, de a fagyasztó továbbra is normálisan működik. A funkció a hűtőszekrény hőmérsékletét tartósan 17 °C-ra állítja.

Ez lehetővé teszi, hogy az üres hűtőszekrény ajtaja zárva maradjon anélkül, hogy szag vagy penész alakulna ki hosszú távollét (pl. nyaralás) alatt. A fagyasztórekesz hőmérséklete szabadon beállítható.

1. Nyomja meg a „K5” gombot (Holiday funkció be/ki), vagy válassza ki a funkciót az alkalmazásból, a „G” ikon (Holiday funkció) világít, és ekkor a funkció bekapcsol.
2. A funkció kikapcsolható a „K5” (Holiday funkció be/ki) gomb ismételt megnyomásával, vagy a hűtő hőmérsékletének a beállításával, vagy bármely más beállítás végrehajtásával, illetve az alkalmazásból való kikapcsolásával.



## MEGJEGYZÉS

1. Bekapcsolt Holiday funkció mellett ne tároljon ételt a hűtőrekeszben. A +17 °C-os hőmérséklet túl magas élelmiszerek tárolásához.
2. Bekapcsolt Holiday funkció mellett a My Zone ikon nem világít, és a készülék zárja a hűtőszekrény funkciót. Amikor a hűtőrekesz hőmérsékletét állítja, az „G” ikon (Holiday funkció) villog, jelezve, hogy ez a művelet nem hajtható végre.

### **Eco Mode funkció**

Az Eco Mode aktiválásával optimalizálhatja a készülék teljesítményét, miközben a készülék optimális körülményeket biztosít az élelmiszer tárolásához. Ha nincsenek különleges követelményei, javasoljuk, hogy használja az Eco Mode funkciót.

Ebben az üzemmódban a hűtő hőmérséklete 5 °C, a fagyasztó hőmérséklete pedig -18 °C.

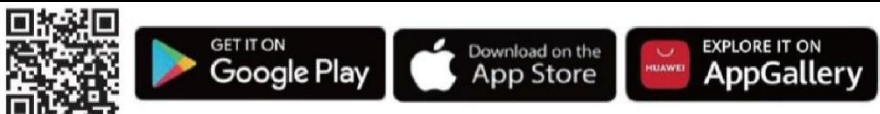
1. Nyomja meg a „K6” gombot (Eco Mode funkció be/ki), vagy válassza ki a funkciót az alkalmazásból.
2. A „H” ikon (Eco Mode funkció) világít, és a funkció be van kapcsolva.

A funkció ismét kikapcsolható a fenti lépések megismétlésével, egy másik funkció kiválasztásával, vagy az alkalmazásból való kikapcsolással. A készülék visszaállítja a korábban beállított hűtési szinteket.

## MEGJEGYZÉS

Eco Mode funkció mellett, amikor a hűtő-/fagyasztórekesz hőmérsékletét kívánja állítani, a „H” ikon (Eco Mode funkció) villog, jelezve, hogy ez a művelet nem hajtható végre.

1. lépés Töltse le a hOn-App alkalmazást a megfelelő áruházak egyikéből.

|                                                                                                                                                                                         |                                                                                                                                                                   |
|-----------------------------------------------------------------------------------------------------------------------------------------------------------------------------------------|-------------------------------------------------------------------------------------------------------------------------------------------------------------------|
|                                                                                                        |                                                                                                                                                                   |
| <p>2. lépés Hozza létre fiókját a hOn-App alkalmazásban, vagy jelentkezzen be, ha már van fiókjá.</p>  | <p>3. lépés Kövesse a hOn-App alkalmazás párosításra vonatkozó utasításait.</p>  |

### Wi-Fi funkció

1. A Wi-Fi funkció konfigurálásához kövesse az alkalmazás utasításait.
2. A Wi-Fi konfigurálása és a kapcsolat létrehozása után az „I” Wi-Fi ikon bekapcsol és folyamatosan világít.
3. Ha a Wi-Fi funkciót már konfigurálta, ez automatikusan újracsatlakozik a konfigurációs adatoknak megfelelően, amikor bekapcsolja a Wi-Fi funkciót.

### **i** MEGJEGYZÉS

1. A Wi-Fi kikapcsolásához nyomja meg a „K7” Wi-Fi gombot, és az „I” Wi-Fi ikon kikapcsol.
2. A Wi-Fi bekapcsolásához és a konfigurálás megkezdéséhez nyomja meg a „K7” Wi-Fi gombot, és az „I” Wi-Fi ikon lassú villogásba kezd. Ha konfigurálni szeretné a Wi-Fi funkciót, nyomja meg a „K7” gombot 3 másodpercig, a Wi-Fi ikon gyorsan villog, és megnyílik a konfigurációs üzemmód. A Wi-Fi funkció kikapcsolásához nyomja meg egyszer a „K7” gombot. A fenti lépéseket meg kell ismételni.
3. Ha a készülék konfigurálása megtörtént, és a Wi-Fi funkció ki van kapcsolva, a hűtőszekrény nem lép konfigurációs üzemmódba, miután visszakapcsolja a tápellátást

### **i** MEGJEGYZÉS

1. Ez a termék nem kereskedelmi használatra készült.
2. A maximális RF kimeneti teljesítmény: 2,4 GHz Wi-Fi: 16 dBm;
3. Bluetooth LE: 5 dBm; Bluetooth(BR/EDR): 10 dBm.
4. Üzemi frekvenciasáv: 2400-2483,5 MHz.

## Tárolás a hűtőrekeszben

A hűtőszekrényben a hőmérsékletet tartsa 5 °C alatt.

A forró élelmiszert a készülékbe helyezés előtt mindenképpen hűtse le szobahőmérsékletre.

A hűtőberendezésben tárolt élelmiszereket előzetesen mossa meg és szárítsa meg.

A tárolni kívánt élelmiszert helyezze megfelelően zárható edénybe, hogy elkerülje az illatok és ízek módosulását.

Ne tároljon túlságosan sok élelmiszert a készülékben. Hagyjon területet az élelmiszerek között, hogy a hideg levegő keringhessen mellettük, így jobb hatásfokú és homogénebb lesz a hűtés.

A napi rendszerességgel fogyasztott élelmiszereket a polc elején tárolja.

A légáramlás lehetővé tétele érdekében hagyjon némi teret az élelmiszerek és a belső falak között. Semmiképpen ne tároljon élelmiszereket úgy, hogy azok a hátsó fallal érintkezzenek, mivel az élelmiszer megfagyhat. Kerülje az élelmiszer (különösen az olajos vagy savas ételek) közvetlen érintkezését a belső bevonattal, mivel az olaj/sav a belső bevonat károsodását eredményezheti. Távollítsa el az olajos/savas szennyeződések, amint észleli ezeket.

A fagyasztott élelmiszerek lassan felolvaszthatók a hűtőszekrény rekeszében. Ezzel energiát takaríthat meg.

A gyümölcsök és zöldségek, például a cukkini, a dinnye, a papaya, a banán, az ananász stb. érlelési folyamata a hűtőszekrényben felgyorsulhat. Ezért nem ajánlott ezek hűtőszekrényben való tárolása. Az erősen zöld gyümölcsök érlelése azonban bizonyos ideig javasolható. Javasoljuk, hogy a hagymát, fokhagymát, gyömbért és egyéb gyökeres zöldségeket szobahőmérsékleten tárolja.

A hűtőben érezhető kellemetlen illat megjelenése arra utal, hogy valami kiömlött, és a készülék tisztítást igényel. Lásd az Ápolás és tisztítás részt.

Különböző élelmiszereket különböző területeken helyezzen el az ételek tulajdonságai szerint.

## Tárolás a fagyasztórekeszben

A fagyasztó hőmérsékletét tartsa -18 °C-on.

Fagyasztás előtt 24 órával kapcsolja be a Super-Freeze funkciót. Kis mennyiségű étel esetén 4–6 óra is elegendő.

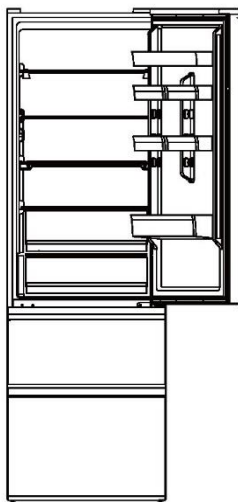
A forró élelmiszert a fagyasztó rekeszbe helyezés előtt mindenképpen hűtse le szobahőmérsékletre.

Az apró darabokra szeletelt élelmiszer gyorsabban lefagyasztható, illetve könnyebben kiolvasztható és megfőzhető. Javasoljuk, hogy az egyes darabok tömege ne érje el a 2,5 kg-ot

Javasoljuk, hogy csomagolja be az élelmiszert, mielőtt a fagyasztóba tenné.

A csomagok összeragadásának megelőzése érdekében a csomagolás külsejének száraznak kell lennie. A csomagolásoknak szagmentesnek, légmentesnek, nem mérgezőnek és ártalmatlannak kell lenniük.

A tárolt élelmiszerek szavatossági idejének a lejártaát elkerülendő, kérjük, jegyezze fel a lefagyasztás dátumát, a szavatossági időt és az élelmiszer nevét a csomagolásra, az adott élelmiszerek szavatossági idejének megfelelően.



## FIGYELMEZTETÉS:

- ▶ A sav, lúg és só stb. károsíthatja a fagyasztó belső felületét.
- ▶ Ne helyezze el az ilyen anyagokat (pl. tengeri halakat) tartalmazó élelmiszereket úgy, hogy azok hozzáérhessenek a belső felülethez. A fagyasztóban lévő sós vizet azonnal távolítsa el.
- ▶ Ne haladja meg a gyártó által javasolt tárolhatósági időt. Csak a szükséges mennyiségű ételt vegye ki a fagyasztóból.
- ▶ A kiolvasztott ételt gyorsan fogyassza el. A kiolvasztott élelmiszer kizárólag megfőzést követően fagyasztható le ismét, ellenkező esetben kevésbé fogyaszthatóvá válhat.
- ▶ Ne tegyen túl sok friss élelmiszert a fagyasztó rekeszbe. Lásd a fagyasztó fagyasztási kapacitását - Lásd a MŰSZAKI ADATOK részt vagy az adattáblán található adatokat.
- ▶ A fagyasztóban legalább  $-18\text{ }^{\circ}\text{C}$ -on 2 és 12 hónap közötti ideig tárolható az élelmiszer a jellemzőitől függően (pl. hús: 3–12 hónap, zöldségek: 6–12 hónap)
- ▶ Friss élelmiszer lefagyasztásakor kerülje a már fagyasztott élelmiszerral való érintkezést. Kiolvadás veszélye!

### **A kereskedelmi forgalomban lévő fagyasztott élelmiszerek tárolásakor kövesse az alábbi irányelveket:**

Mindig kövesse a gyártó utasításait arra vonatkozóan, hogy mennyi ideig tárolhatja az élelmiszert. Ne lépje túl a javasolt értékeket!

Az élelmiszerek minőségének megőrzése érdekében törekedjen arra, hogy a legrövidebb idő teljen el a vásárlás és a lefagyasztás időpontja között.

$-18\text{ }^{\circ}\text{C}$ -on vagy annál alacsonyabb hőmérsékleten tárolt fagyasztott élelmiszereket vásároljon.

Kerülje az olyan élelmiszereknek a vásárlását, amelyek csomagolásán jég vagy fagy látható. Ez azt jelzi, hogy a termékeket részben kiolvasztották, majd valamikor újrafagyasztották; a hőmérséklet-emelkedés befolyásolja az élelmiszerek minőségét.

## Vízadagoló

A vízadagolónak köszönhetően hűs ivóvizet fogyaszthat.

Használat előtt kötelezően tisztítsa meg a víztartályt (lásd ÁPOLÁS ÉS KARBANTARTÁS).

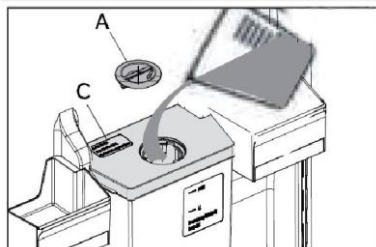
## A víztartály feltöltése



### FIGYELMEZTETÉS:

► Kizárólag ivóvizet használjon.

1. Bizonyosodjon meg a víztartály megfelelően behelyezett állapotáról (lásd BERENDEZÉS)
2. Forgassa el és emelje fel a kerek kupakot (A), és öntsön friss ivóvizet a víztartályba (5.10.1. ábra).
3. A vizet csak a jelzésig töltsé (2,5 l); a víz túlfolyhat az ajtó kinyitásakor vagy becsukásakor.
4. Zárja vissza a kerek kupakot (A), amíg a helyére nem kattán.



HU



### MEGJEGYZÉS

1. A készülék kikapcsolja a „Super Cool funkciót” 6 órával a „Super Cool funkció” bekapcsolása után, vagy amikor megnyomja a „K3” gombot, amikor az „E” (Super Cool funkció) ikon világít, vagy amikor kikapcsolja a funkciót az alkalmazásból.
2. Super Cool állapotban, amikor a hűtőtér hőmérsékletét kívánja állítani, az „E” ikon (Super Cool funkció) villog, jelezve, hogy ez a művelet nem hajtható végre.



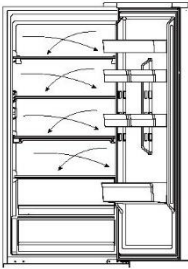
### Energiatakarékossági tippek

- ▶ Bizonyosodjon meg arról, hogy a készülék megfelelő szellőzéssel rendelkezik (lásd a TELEPÍTÉS részt).
- ▶ Ne telepítse a készüléket közvetlen napsugárzásnak kitett helyre vagy hőforrások közelébe (pl. kályhák, fűtőberendezések).
- ▶ Kerülje a szükségtelenül alacsony hőmérsékletet a készülékben. Az energiafogyasztás növekszik a készülék beállított hőmérsékletének a csökkentésével.
- ▶ Az olyan funkciók, mint a SUPER FREEZE, magasabb energiafogyasztást eredményeznek.
- ▶ Mielőtt a készülékbe tenné, hagyja, hogy a meleg élelmiszer kihűljön.
- ▶ Minél kevésbé és minél rövidebb ideig nyissa ki a készüléknek az ajtaját.
- ▶ Ne töltsé túlságosan meg a készüléket, mivel ez akadályozza a légáramlást.
- ▶ Kerülje, hogy levegő legyen az élelmiszerek csomagolásában.
- ▶ Az ajtótmítéseket tartsa tisztán, hogy az ajtó mindig megfelelően becsukódhasson.
- ▶ A fagyasztott élelmiszereket olvassza fel a hűtőrekeszben, vagy használja a D-Frost funkciót a My Zone rekeszben.
- ▶ A leginkább energiatakarékos működéshez a fióknak, az élelmiszerrekesznek és a polcoknak a készülékben kell lenniük olyan állapotban, ahogyan a gyárat elhagyta a készülék, az élelmiszert pedig úgy kell elhelyezni, hogy a légcsatorna kimenetét ne akadályozza.



## Megjegyzés

A különböző modellek miatt előfordulhat, hogy a termék nem rendelkezik az összes alábbi funkcióval. Lásd a Termékleírás című fejezetet.

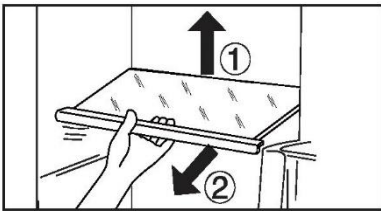


### Többirányú légáramlás

A hűtőszekrény többirányú légáramlási rendszerrel van felszerelve, ez hűvös légárammal látja el az összes polcszintet. Ez segít az egységes hőmérséklet megőrzésében a készülékben, így az étel hosszabb ideig frissebb maradhat.

### Állítható polcok

1. A polcok magasságát az Ön tárolási igényeihez igazíthatja.
2. Egy polc áthelyezéséhez először emelje fel a hátsó szélét ①, majd húzza ki a polcot ②.
3. A visszaszereléshez helyezze mindkét oldalon a fülekre, és tolja a leghátsó helyzetbe, amíg a polc hátulja nem rögzül az oldalsó nyílásokban.



## Megjegyzés

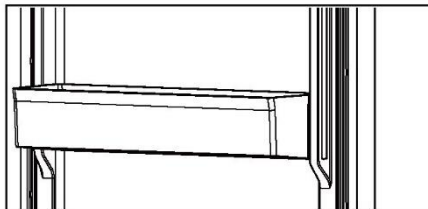
Győződjön meg arról, hogy a polc mindegyik éle vízszintesen helyezkedik el.

### Levehető ajtó erkélyrekesz

Az ajtó erkélyrekesze tisztítás céljából eltávolítható:

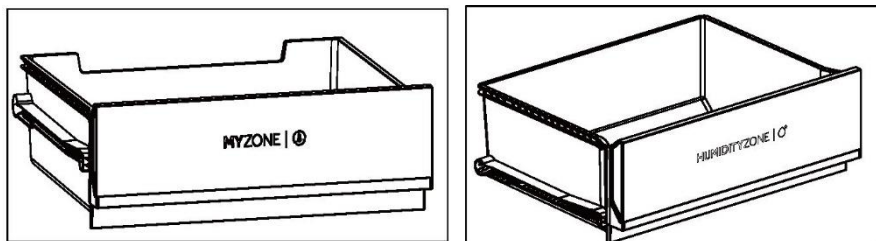
Tegye a kezét az erkélyrekesz két oldalára, emelje fel (1), majd húzza ki a polcot (2).

Az ajtó erkélyrekesz behelyezéséhez hajtsa végre a fenti lépéseket fordított sorrendben.



## My Zone rekesz

A My Zone rekesz használatához és beállításához tájékozódjon a HASZNÁLAT szakaszból (My Zone).



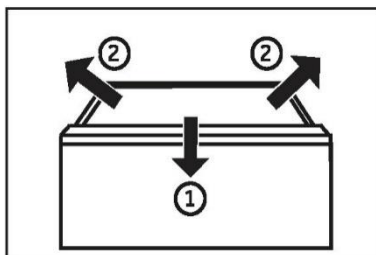
## Humidity Zone rekesz

Ebben a rekeszben a rendszer automatikusan szabályozza a páratartalmat, és a rekesz alkalmas gyümölcsök, zöldségek, saláták stb. tárolására.

## Eltávolítható fiók

Ha ki szeretné venni a fiókot a hűtőszekrényből vagy a fagyasztóból, húzza ki a lehető legnagyobb mértékben (1), emelje meg és vegye ki (2).

A fiók behelyezéséhez fordított sorrendben hajtsa végre a fenti lépéseket.



## Fagyasztó fiók

A fagyasztó fiók egyenesen és teljesen kihúzható. Ezek könnyen gördülő teleszkópos sínre vannak szerelve. Így kényelmesen tárolhatja és távolíthatja el a fagyasztott árut. Az automatikus ajtócsukó mechanizmusnak köszönhetően a kezelés egyszerű, és a készülék energiatakarékos.



**FIGYELMEZTETÉS:**

Ne terhelje túl a fiókokat: Az egyes fiókok maximális terhelhetősége: 35 kg!

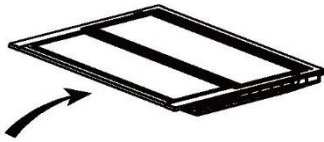
**A világítás**

A LED-es belső világítás bekapcsol az ajtónak a nyitásakor. A lámpák teljesítményét a készülék semmilyen egyéb beállítása sem befolyásolja.

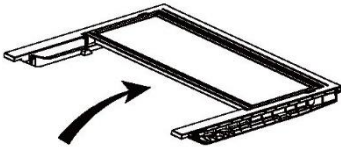
**Összehajtható polcok**

Az összehajtható polcok lehetővé teszik a felhasználó számára, hogy magas palackokat vagy tárgyakat tegyen a polcokra. A polcok hátul összehajthatók, és így az alsó polcon nagyobb szabad hely válik elérhetővé. A polc a 1.–3. ábrák követésével hajtható össze. Ha vissza kívánja tenni az eredeti helyére, fordított sorrendben végezze el az alábbi eljárásokat.

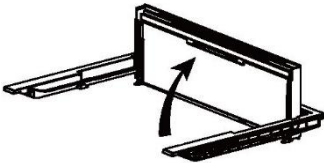
HU



1. lépés: Lassan nyomja a polc elejét ütközésig.



2. lépés: Lassan nyomja fel a polcot függőleges helyzetbe.



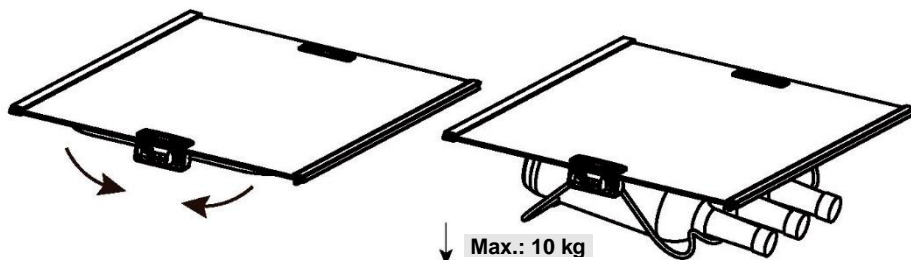
3. lépés: A polc függőleges. Így helyet takarít meg.

## Összehajtható palacktartó

Normál használat

1. Húzza le a palacktartó konzoljait
2. Illessze a palackokat a tartóba

Ha nem használja, a palacktartót vissza lehet hajtani, és így helyet takaríthat meg.



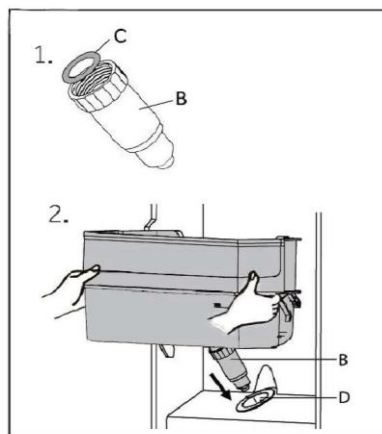
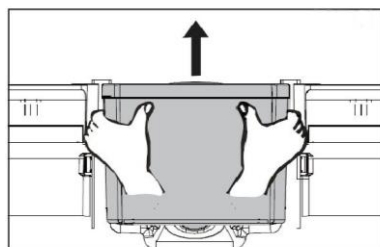
## Víztartály

### Távolítsa el a víztartályt

A víztartály eltávolítható és visszaszerelhető a tisztítás megkönnyítése érdekében, visszahelyezése ugyanúgy történik, mint az ajtópolcoknál.

### Víztartály behelyezése

1. Győződjön meg arról, hogy az adagoló csövét (B) szorosan felcsavarta a víztartályra, és a fehér O-gyűrű (C) a helyén van.
2. Tegye be a víztartályt úgy, hogy az adagoló csöve (B) illeszkedjen az ajtónyíláshoz (D).



### **i** Megjegyzés

- ▶ Győződjön meg arról, hogy a kifolyócső szorosan felcsavarta a víztartályra, és a fehér O-gyűrű (C) a helyén van.
- ▶ Ha a víztartály nem illeszkedik megfelelően, víz csepeghet a csatlakozásnál.
- ▶ A víztartály eltávolításakor vagy visszaszerelésakor ne használjon túlzott erőt, így megelőzheti a tartály károsodását.



## FIGYELMEZTETÉS:

Tisztítás előtt válassza le a hálózatról a készüléket.

### Tisztítás

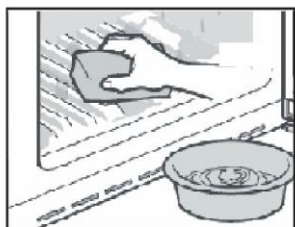
Akkor tisztítsa meg a készüléket, amikor kevés vagy semmilyen élelmiszer nem található benne.

A készüléket tisztítsa meg négyhetente a megfelelő karbantartás jegyében, illetve megelőzendő a kellemetlen élelmiszer illatok kialakulását.



## FIGYELMEZTETÉS:

- ▶ Ne tisztítsa a készüléket keménysörtés kefékkel, drótkefékkel, mosóporral, benzinnel, amil-acetáttal, acetonnal és hasonló szerves oldatokkal, valamint savas vagy lúgos oldatokkal. A károsodások elkerülése érdekében a hűtőszekrény tisztítását speciális, adott célra kialakított tisztítószerrel végezze.
- ▶ Tisztítás közben ne permetezze vagy öblítse le a készüléket.
- ▶ Ne használjon vízpermetet vagy gózt a készülék tisztításához.
- ▶ A hideg üvegpolcokat ne tisztítsa forró vízzel. A hirtelen hőmérséklet-változás nyomán az üveg megrepedhet.
- ▶ Ne érintse meg a fagyasztórekesz belső felületét, különösen nedves kézzel, mert a keze a felülethez fagyhat.
- ▶ Felmelegítés esetén ellenőrizze a fagyasztott áruk állapotát.



- ▶ Mindig tartsa tisztán az ajtó-tömítést.
- ▶ Tisztítsa meg a készülék belsejét és burkolatát meleg vízzel és semleges tisztítószerrel átnedvesített szivaccsal.
- ▶ 1. Tisztítsa meg a hűtőszekrény belsejét és külsejét, beleértve az ajtó-tömítést, az ajtópolcot, az üvegpolcokat, a dobozokat és így tovább, puha törőlkendővel vagy meleg vízbe mártott szivaccsal (a művelethez a meleg vízbe elegyíthet semleges tisztítószer).
- ▶ 2. Ha folyadék ömlött ki, távolítsa el az összes szennyezett alkatrészt, öblítse át ezeket közvetlenül folyó víz alatt, majd szárítsa meg és tegye vissza az alkatrészeket a hűtőbe.
- ▶ 3. Krémszerű termékek (például tejszín, olvadó jégkrém) kiömlése esetén, kérjük, távolítsa el az összes szennyezett alkatrészt, helyezze adott időtartamra meleg, kb. 40 °C-os vízbe, majd öblítse át folyó vízzel, szárítsa meg, és tegye vissza a hűtőszekrénybe.
- ▶ 4. Abban az esetben, ha egy kisebb alkatrész vagy alkotóelem reked a hűtőszekrény belsejébe (a polcok vagy fiókok közé), az eltávolításhoz kis puha keféet használjon. Ha az alkatrész nem elérhető, kérjük, vegye fel a kapcsolatot a Haier szervizzel.
- ▶ Öblítse le a felületeket, majd törölje szárazra egy puha törőlkendővel.
- ▶ A készülék egyetlen részét vagy tartozékát se tisztítsa mosogatógépben.
- ▶ A készülék újraindítása előtt várjon legalább 5 percet, mivel a készülék gyakori indítása során károsodhat a kompresszor.

### Leolvasztás

A hűtőszekrény és a fagyasztórekeszek kiolvasztása automatikusan történik: nincs szükség felhasználói beavatkozásra.

A LED-es lámpák cseréje



### FIGYELMEZTETÉS:

Ne tegyen kísérletet a LED-es lámpák saját kezű cseréjére, ezeket csak a gyártó vagy a hivatalos szerviz munkatársa cserélheti ki.

A lámpa fényforrása LED alapú, amely alacsony fogyasztást és hosszú élettartamot szavatol. Bármilyen rendellenesség esetén vegye fel a kapcsolatot az ügyfélszolgálatl. Lásd az ÜGYFÉLSZOLGÁLAT részt.

A lámpák paraméterei:

| Alkatrész                | LED-es lámpa |
|--------------------------|--------------|
| Feszültség V-ban         | 12 V         |
| Max. teljesítmény W-ban  | 1,5 W        |
| LED-specifikáció         | Fehér-2835   |
| LED hatékonysági osztály | G            |
| Használati hőmérséklet   | -40–80 °C    |

### Hosszabb használaton kívüli időszak

Ha a készüléket hosszabb ideig nem használja, és a Holiday funkciót nem használja: Vegye ki az ételt.

Húzza ki a tápkábelt.

Tisztítsa meg a készüléket a fent leírtak szerint.

A kellemetlen szagok készüléken belüli megjelenésének elkerülése érdekében hagyja nyitva az ajtókat.



### Megjegyzés

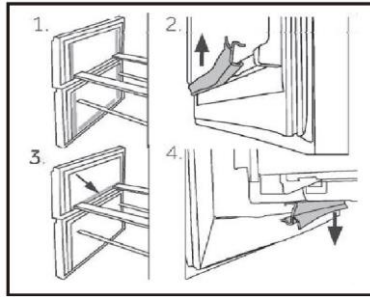
Csak akkor kapcsolja ki a készüléket, ha feltétlenül szükséges.

### Eltávolítható kiegészítő ajtó-tömítések

A felső és alsó fagyasztó fiókoknál hat kiegészítő ajtó-tömítés található.

1. Keresse meg az ötjelzett ajtó-tömítést a felső és az alsó fagyasztó fiókokon.
2. Ügyeljen arra, hogy rögzítéskor a tömítések hajlított szakaszai befelé mutassanak.
3. Keresse meg a felső fióknak az alsó tömítését a jelzett módon.
4. Ügyeljen arra, hogy rögzítéskor a tömítés hajlított szakasza lefelé nézzen.

Ezeket a tömítéseket, valamint a forgó ajtó/fiók tömítéseit megrendelheti az ügyfélszolgálaton keresztül (lásd a jótállási jegyet).



### A készülék mozgatása

1. Távolítsa el az összes élelmiszert, és húzza ki a készülék csatlakozódugóját.
2. Rögzítse a polcokat és az egyéb mozgatható alkatrészeket a hűtőben és a fagyasztóban szigetelőszalaggal.
3. A hűtőrendszer károsodásának az elkerülése érdekében ne döntse meg a hűtőberendezést 45°-nál nagyobb szögben.

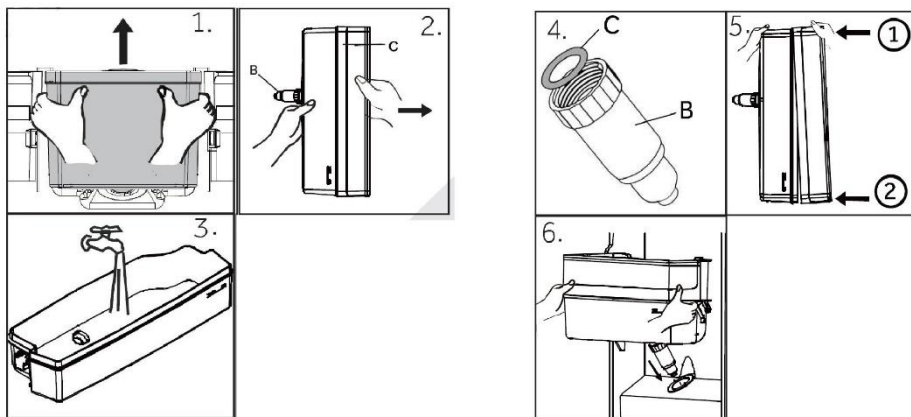


### FIGYELMEZTETÉS:

- ▶ Ne emelje a készüléket a fogantyútól.
- ▶ Soha ne fektesse a készüléket vízszintesen a földre.

### A víztartály tisztítása

1. Vegye ki a víztartályt a készülékből.
2. Távolítsa el a fedelet (C), és óvatosan csavarja le az adagoló csövet (B).
3. Tisztítsa meg a víztartályt és az adagoló csövet meleg folyó víz és folyékony mosogatószer segítségével. Győződjön meg róla, hogy leöblítette az összes mosogatószerrel.
4. Szerelje fel az adagoló csövet (B), és ügyeljen arra, hogy biztosan illeszkedjen a víztartályhoz, és a fehér O-gyűrű (C) a helyén legyen.
5. Nyomja meg a fedelet, hogy összekapcsolja azt a víztartály egyik oldalával, majd a másikkal, és bizonyosodjon meg arról, hogy megfelelően összeszerelte a víztartályt és a fedelet.
6. Tegye vissza a tartályt a készülék belsejébe. Győződjön meg róla, hogy az adagoló csöve megfelelően helyezkedik el az ajtó nyílásában.



### Megjegyzés

- ▶ Ha a víztartály nem illeszkedik megfelelően, víz csepeghet a csatlakozásnál.
- ▶ A víztartály eltávolításakor vagy visszaszerelésékor ne használjon túlzott erőt, így megelőzheti a tartály károsodását.

Sok felmerülő problémát saját maga is megoldhat speciális szakértelem nélkül. Probléma felmerülése esetén ellenőrizze az összes felsorolt lehetőséget, és kövesse az alábbi utasításokat, mielőtt felvenné a kapcsolatot egy ügyfélszolgálatlal. Lásd az ÜGYFÉLSZOLGÁLAT részt.



## FIGYELMEZTETÉS:

- ▶ Karbantartás előtt kapcsolja ki a készüléket, és húzza ki a hálózati dugaszt a hálózati aljzathoz.
- ▶ Az elektromos berendezéseket csak szakképzett villamossági szakemberek szervizelhetik, mert a nem megfelelő javítások jelentős károkat okozhatnak.
- ▶ Sérült tápkábel esetén a veszély elkerülése érdekében cseréltesse ki azt a gyártóval, a gyártó szervizközpontjával vagy más szakemberrel.

HU

## Hibaelhárítási táblázat

| Probléma                                                          | Lehetséges ok                                                                           | Lehetséges megoldás                                                                                                                                                    |
|-------------------------------------------------------------------|-----------------------------------------------------------------------------------------|------------------------------------------------------------------------------------------------------------------------------------------------------------------------|
| A kompresszor nem működik.                                        | A hálózati dugaszt nem csatlakoztatta a hálózati aljzathoz.                             | Csatlakoztassa a hálózati dugót.                                                                                                                                       |
|                                                                   | A készülék leolvasztási ciklust végez.                                                  | Ez természetes jelenség automatikus leolvasztásnál.                                                                                                                    |
| A készülék gyakran bekapcsol vagy túlságosan hosszú ideig üzemel. | A beltéri vagy kültéri hőmérséklet túl magas.                                           | Ebben az esetben természetes, hogy a készülék üzemideje megnövekedett.                                                                                                 |
|                                                                   | A készülék hosszabb ideig kikapcsolt állapotban volt.                                   | Normál esetben 8 és 12 óra közötti időtartam szükséges a készülék teljes lehűléséhez.                                                                                  |
|                                                                   | Egy ajtó/fiók a készülékben nem záródik megfelelően.                                    | Csukja be az ajtót/fiókot, és bizonyosodjon meg arról, hogy a készülék egyenes felületen található, és hogy élelmiszer vagy tárolóedény nem gátolja az ajtó záródását. |
|                                                                   | Az ajtót/fiókot túlságosan gyakran nyitotta ki, vagy túlságosan sokáig tartotta nyitva. | Ne nyissa ki az ajtót/fiókot túl gyakran.                                                                                                                              |
|                                                                   | A fagyasztórekesz hőmérsékletének a beállítása túl alacsony.                            | Állítsa a hőmérsékletet magasabbra, amíg el nem éri a megfelelő hűtőszekrény hőmérsékletet. A hűtőszekrény hőmérséklete stabilizálása 24 órát vesz igénybe.            |
|                                                                   | Az ajtó/fiók tömitése szennyezett, kopott, repedt vagy nem megfelelő.                   | Tisztítsa meg az ajtó/fiók tömitését, vagy cserélje ezt az ügyfélszolgálat bevonásával.                                                                                |

## Hibaelhárítás

|                                                                                            |                                                                                         |                                                                                                             |
|--------------------------------------------------------------------------------------------|-----------------------------------------------------------------------------------------|-------------------------------------------------------------------------------------------------------------|
|                                                                                            | A szükséges szellőzés nem biztosított.                                                  | Bizonyosodjon meg arról, hogy megfelelő a szellőzés.                                                        |
| A hűtőszekrény belső része szennyezett és/vagy kellemetlen szagú.                          | A hűtőszekrény belső része tisztítást igényel.                                          | Tisztítsa meg a hűtőszekrény belső részét.                                                                  |
|                                                                                            | Erős illatú élelmiszert tárol a hűtőszekrényben.                                        | Alaposan csomagolja be az élelmiszert.                                                                      |
| Nincs elég hideg a készülék belsejében.                                                    | A beállított hőmérséklet túl magas.                                                     | Állítsa vissza a hőmérsékletet                                                                              |
|                                                                                            | Túl meleg ételt helyezett be.                                                           | Tárolás előtt mindig hűtse le az ételeket.                                                                  |
|                                                                                            | Túl sok ételt helyezett egyszerre a készülékbe.                                         | Az élelmiszereket mindig kis mennyiségben helyezze be.                                                      |
|                                                                                            | Az élelmiszereket egymáshoz túl közel helyezte.                                         | Hagyjon rést az élelmiszerek között, ami lehetővé teszi a levegő áramlását.                                 |
|                                                                                            | Egy ajtó/fiók a készülékben nem záródik megfelelően.                                    | Csukja be az ajtót/fiókot.                                                                                  |
|                                                                                            | Az ajtót/fiókot túlságosan gyakran nyitotta ki, vagy túlságosan sokáig tartotta nyitva. | Ne nyissa ki az ajtót/fiókot túl gyakran.                                                                   |
| Túl hideg van a készülék belsejében.                                                       | A beállított hőmérséklet túl alacsony.                                                  | Állítsa vissza a hőmérsékletet.                                                                             |
|                                                                                            | A Super Freeze funkciót bekapcsolta, vagy a funkció túl sokáig üzemel.                  | Kapcsolja ki a Super Freeze funkciót.                                                                       |
| Pára csapódik le a hűtőrekesz belső részén.                                                | Az éghajlat túl meleg vagy túl nedves.                                                  | Növelje a hőmérsékletet.                                                                                    |
|                                                                                            | Egy ajtó/fiók a készülékben nem záródik megfelelően.                                    | Csukja be az ajtót/fiókot.                                                                                  |
|                                                                                            | Az ajtót/fiókot túlságosan gyakran nyitotta ki, vagy túlságosan sokáig tartotta nyitva. | Ne nyissa ki az ajtót/fiókot túl gyakran.                                                                   |
|                                                                                            | Étel- vagy folyadéktárolók nyitott állapotban maradtak a hűtőben.                       | A forró élelmiszereket hagyja szobahőmérsékletre hűlni, illetve fedje le az élelmiszereket és folyadékokat. |
| Nedvesség gyűlik fel a hűtőberendezés külső felületén vagy az ajtó/ajtók és a fiók között. | Az éghajlat túl meleg vagy túl nedves.                                                  | Ez természetes jelenség nedves éghajlati viszonyok között, és megszűnik, amint csökken a páratartalom.      |
|                                                                                            | Az ajtó/fiók nincs megfelelően becsukva.                                                | Bizonyosodjon meg arról, hogy megfelelően becsukta az ajtót/fiókot.                                         |





|                                                       |                                                                                         |                                                                                                           |
|-------------------------------------------------------|-----------------------------------------------------------------------------------------|-----------------------------------------------------------------------------------------------------------|
| Vastagjég és zúzmara található a fagyasztó-rekeszben. | Az élelmiszereket nem megfelelően csomagolta be.                                        | Az élelmiszereket mindig jól csomagolja be.                                                               |
|                                                       | Egy ajtó/fiók a készülékben nem záródik megfelelően.                                    | Csukja be az ajtót/fiókot.                                                                                |
|                                                       | Az ajtót/fiókot túlságosan gyakran nyitotta ki, vagy túlságosan sokáig tartotta nyitva. | Ne nyissa ki az ajtót/fiókot túl gyakran.                                                                 |
|                                                       | Az ajtó/fiók tömitése szennyezett, kopott, repedt vagy nem megfelelő.                   | Tisztítsa meg az ajtó/fiók tömitését, vagy cserélje ki ezt újjal.                                         |
|                                                       | Valami belülről megakadályozza az ajtónak/fióknak a megfelelő záródását.                | Helyezze vissza a polcokat, az ajtópolcokat vagy belső tartályokat úgy, hogy az ajtó/fiók becsukódhasson. |
| A készülék rendellenes hangokat ad ki.                | A készüléket nem vízszintes talajon helyezte el.                                        | Állítsa be a lábakat a készülék szintbe állításához.                                                      |
|                                                       | A készülék hozzáér valamilyen körülötte lévő tárgyhöz.                                  | Távolítsa el a készülék mellett lévő tárgyakat.                                                           |
| Az áramló vízhez hasonló halk hang hallható.          | Ez természetes jelenség.                                                                | /                                                                                                         |
| Riasztó hangjelzése hallható.                         | A hűtőrekesz ajtója nyitva maradt.                                                      | Csukja be az ajtót, vagy némitsa el manuálisan a riasztást.                                               |
| Egy halvány zúmmogás hallható.                        | A lecsapódásgátló rendszer üzemel.                                                      | Ez megakadályozza a páralecsapódást és normális.                                                          |
| A belső világítás vagy hűtőrendszer nem működik.      | A hálózati dugasz nem csatlakozik a hálózati aljzathoz                                  | Csatlakoztassa a hálózati dugót.                                                                          |
|                                                       | Az áramellátás nem megfelelő.                                                           | Ellenőrizze a helyiség áramellátását. Vegye fel a kapcsolatot a helyi áramszolgáltatóval!                 |
|                                                       | A LED-es lámpa meghibásodott.                                                           | Vegye fel a kapcsolatot a szervizzel a lámpa kicseréléséhez.                                              |
| A szekrény oldalai és az ajtó/tömités felmelegedik.   | Ez természetes jelenség.                                                                | /                                                                                                         |
| Nem távozik víz a vízadagoló csövéből                 | Nem kapcsolta ki a zárat.                                                               | Kapcsolja ki a zárat                                                                                      |

### Tápellátás megszakadása

- ▶ Tápkimaradás esetén az élelmiszer biztonságos hidegben marad megközelítőleg 13 órán át. Hosszabb tápkimaradás esetén, különösen nyáron, kövesse az alábbi tippeket.
- ▶ Minél kevesebb-szer nyissa ki az ajtót/fiókot.
- ▶ Tápkimaradás esetén ne tegyen további élelmiszereket a készülékbe.
- ▶ Ha a szolgáltató előzetesen tájékoztat a várható tápkimaradásról, és ha a tápkimaradás időtartama meghaladja az 13 órát, gyártson pár jégkockát, és helyezze a hűtőrekesz felső polcára.
- ▶ A megszakítást követően azonnal vizsgálja meg az élelmiszereket.
- ▶ Mivel a hűtőszekrényben a hőmérséklet áramkimaradás vagy egyéb meghibásodás esetén emelkedni fog, a tárolási időtartam és az élelmiszer fogyaszthatósági időtartama lecsökken. Röviddel a kimaradást követően a kiolvadt élelmiszert fogyassza el, vagy főzze meg, és fagyassza le ismét (ha lehetséges) az egészségügyi kockázatok elkerülése érdekében.



### Megjegyzés

#### Memória funkció áramkimaradás esetén

Az áramellátás helyreállítása után a készülék az áramkimaradás előtt meghatározott beállításokkal folytatja az üzemet.

A műszaki támogatással való kapcsolatfelvételhez látogassa meg a következő oldalt: <https://corporate.haier-europe.com/en/>

A „webhely” (website) rész alatt válassza ki a termék márkáját és országát. Az oldal átirányítja az adott webhelyre, ahol megtalálható a műszaki támogatás eléréséhez szükséges telefonszám és egyéb kapcsolatfelvételi módok.

## Kicsomagolás



### FIGYELMEZTETÉS:

- ▶ A készülék nehéz. A készülék mozgatásához mindig legalább két személy szükséges.
- ▶ Tartson minden csomagolóanyagot gyermekektől elzárva, a kiselejtezésüket pedig környezetbarát módon végezze.
- ▶ Vegye ki a készüléket a csomagolásból.
- ▶ Távolítsa el az összes csomagolóanyagot.

HU

## Környezeti körülmények

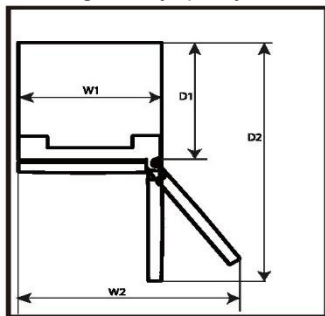
A szobahőmérsékletnek mindig 10 °C és 43 °C között kell lennie, mivel befolyásolhatja a készülék belsejének hőmérsékletét és energiafogyasztását. Szigetelés nélkül ne telepítse a készüléket egyéb hőkibocsátó készülékek (sütők, hűtőgépek) közelébe.

## Ajtó nyitásának váltása

Mielőtt véglegesen beszerelné a készüléket, ellenőrizze az ajtózanér megfelelő helyzetét. Szükség esetén lásd az AJTÓ NYITÁSÁNAK VÁLTÁSA című részt

## Helyigény

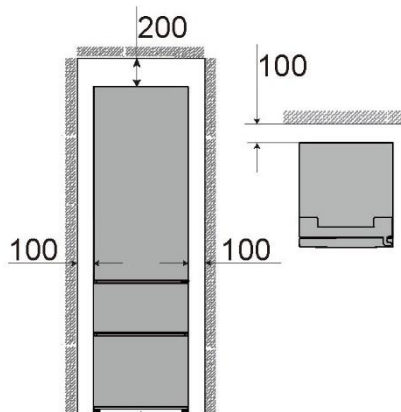
Szükséges hely ajtónyitáshoz:



| Készülék szélessége mm-ben |     | Készülék mélysége mm-ben |      |
|----------------------------|-----|--------------------------|------|
| Sz1                        | Sz2 | Mé1                      | Mé2  |
| 595                        | 918 | 600                      | 1220 |

## Szellőzés keresztmetszet

A készülék számára biztonsági okokból szükséges szellőzése érdekében kötelezően vegye figyelembe a szellőzés keresztmetszetére vonatkozó tájékoztatást.



### Ajtó nyitásának váltása

Mielőtt csatlakoztatná a készüléket az áramforráshoz, ellenőrizze, hogy az ajtó nyitását jobbról (leszállított állapot) balra kell-e fordítani, ha ezt a telepítési hely és a használhatóság megköveteli.



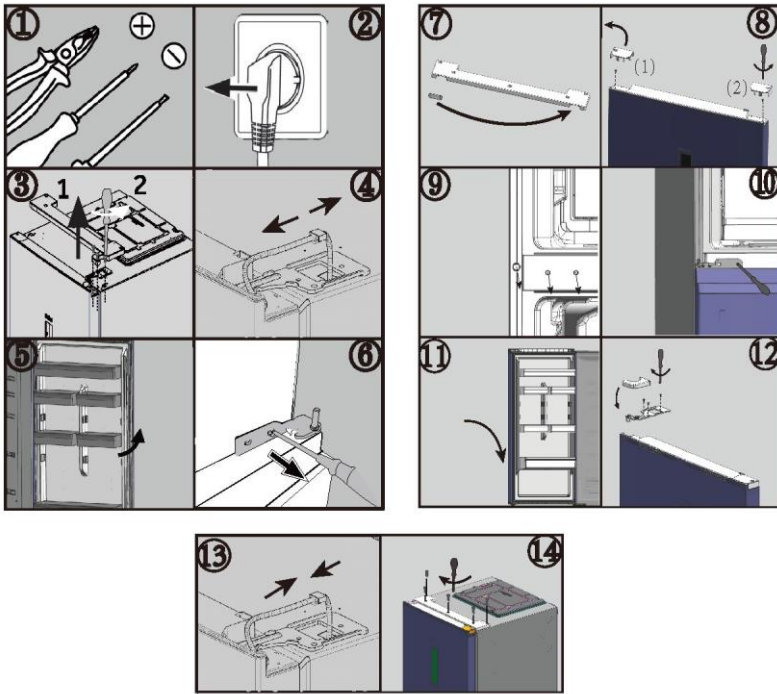
#### FIGYELMEZTETÉS:

- ▶ A készülék nehéz. Az ajtó megfordítása két embert igényel.
- ▶ Bármilyen művelet előtt először húzza ki a készüléket a hálózati aljzataból.
- ▶ A hűtőrendszer károsodásának megelőzése érdekében ne döntse meg a készüléket 45°-nál nagyobb mértékben.

### Összeszerelési lépések

1. Biztosítsa a szükséges szerszámot.
2. Húzza ki a készüléket a hálózati aljzataból.
3. Távolítsa el a felső zsanér burkolatát (1), és csavarozza ki a felső zsanért (három csavar) a jobb oldalon (2).
4. Húzza ki a csatlakozókábelt.
5. Óvatosan emelje le a hűtőszekrény meglazított ajtaját az alsó zsanérról.
6. Távolítsa el a felső ajtó alsó zsanérját.
7. Távolítsa el az előlap kis fedelét balról jobbra.
8. Fordítsa fejjel lefelé az ajtót, és csavarja le a fedelet (1). Vegye ki az új fedelet (2) a szükséges alkatrészek tasakjából, és csavarja fel az ellenkező oldalra.
9. Módosítsa a vakdugóknak és az oldalsó csavarnak a helyzetét.
10. Csavarozza fel az alsó zsanért a készülék bal oldalára.
11. Óvatosan emelje rá a felső ajtót az alsó zsanérra. Majd győződjön meg arról, hogy a forgócsap illeszkedik az alsó ajtó csuklópántjához.
12. Vegye ki az új felső zsanért és a zsanérburkolatot a tartozéktasakból. Vezesse át a csatlakozókábelt a zsanéron keresztül, és rögzítse a felső zsanért a készülék bal oldalán található három csavarral. Majd tegye a zsanérfedelet a zsanérra.
13. Csatlakoztassa a csatlakozókábelt.
14. Szerelje vissza az előlapot, és rögzítse öt csavarral.

Az ajtó nyitási irányának a cseréje után ellenőrizze, hogy az ajtó tömítések megfelelően vannak-e elhelyezve a burkolaton, és azt, hogy az összes csavar megfelelően meg van-e húzva.



### Környezeti hőmérsékletek

Kiterjesztett mérsékelt osztály: a hűtőberendezés 10 °C közötti 32 °C környezeti hőmérsékleten való felhasználásra készült

Mérsékelt osztály: a hűtőberendezés 16 °C közötti 32 °C környezeti hőmérsékleten való felhasználásra készült;

Szubtrópusi osztály: a hűtőberendezés 16 °C közötti 38 °C környezeti hőmérsékleten való felhasználásra készült;

Trópusi osztály: a hűtőberendezés 16 °C közötti 43 °C környezeti hőmérsékleten való felhasználásra készült.

## Az (EU) 2019/2016 előírásnak megfelelő termékadatlap

24 órás szabványos teszteredmények alapján. A valós energiafogyasztás a készülék használati módjának és elhelyezésének függvényében változik

| Gyári jel                                                                                           | Haier          | Haier          | Haier          |
|-----------------------------------------------------------------------------------------------------|----------------|----------------|----------------|
| Modellazonosító                                                                                     | HTW5618DN*     | HTW5620DN*     | HTW5618DW*     |
| Modellkategória                                                                                     | Hűtő-fagyasztó | Hűtő-fagyasztó | Hűtő-fagyasztó |
| Energiahatékonysági osztály                                                                         | D              | D              | D              |
| Éves energiafogyasztás (kWh/év)                                                                     | 217            | 226            | 216            |
| Hűtőrekesz térfogata (l)                                                                            | 201            | 255            | 198            |
| Fagyasztótér térfogata (l)                                                                          | 125            | 125            | 125            |
| My Zone térfogata (l)                                                                               | 34             | 34             | 34             |
| Csillaggal történő megjelölés                                                                       | 4              | 4              | 4              |
| Fagymentes rendszer                                                                                 | Igen           | Igen           | Igen           |
| Hőmérséklet megőrzése tápellátás nélkül (ó) / Hőmérséklet-emelkedési idő (ó)                        | 13             | 13             | 13             |
| Fagyasztási kapacitás (kg/24 ó)                                                                     | 10             | 10             | 10             |
| Klímaosztály<br>A készülék 10 °C közötti 43 °C környezeti hőmérsékleten való felhasználásra készült | SN/N/ST/T      | SN/N/ST/T      | SN/N/ST/T      |
| Zajkibocsátási osztály és levegőben terjedő akusztikus zajkibocsátás (dB(A) re 1 pW)                | 35             | 35             | 35             |

| Gyári jel                                                                                                 | Haier          | Haier          |
|-----------------------------------------------------------------------------------------------------------|----------------|----------------|
| Modellazonosító                                                                                           | HTW5618CN*     | HTW5620CN*     |
| Modellkategória                                                                                           | Hűtő-fagyasztó | Hűtő-fagyasztó |
| Energiahatékonysági osztály                                                                               | C              | C              |
| Éves energiafogyasztás (kWh/év)                                                                           | 173            | 181            |
| Hűtőrekesz térfogata (l)                                                                                  | 201            | 255            |
| Fagyasztótér térfogata (l)                                                                                | 125            | 125            |
| My Zone térfogata (l)                                                                                     | 34             | 34             |
| Csillaggal történő megjelölés                                                                             | 4              | 4              |
| Fagymentes rendszer                                                                                       | Igen           | Igen           |
| Hőmérséklet megőrzése<br>tápellátás nélkül<br>(ó)/Hőmérséklet-<br>emelkedési idő (ó)                      | 13             | 13             |
| Fagyasztási kapacitás (kg/24 ó)                                                                           | 10             | 10             |
| Klímaosztály<br>A készülék 10 °C közötti 43 °C<br>környezeti hőmérsékleten való<br>felhasználásra készült | SN/N/ST/T      | SN/N/ST/T      |
| Zajkibocsátási osztály<br>és levegőben terjedő akusztikus<br>zajkibocsátás (dB(A) re 1 pW)                | 35             | 35             |

### Az (EU) 2019/2016 előírásnak megfelelő termékadatlap

24 órás szabványos teszteredmények alapján. A valós energiafogyasztás a készülék használati módjának és elhelyezésének függvényében változik

| Gyári jel                                                                                        | Haier          | Haier          | Haier          |
|--------------------------------------------------------------------------------------------------|----------------|----------------|----------------|
| Modellazonosító                                                                                  | HDPW5618DN*    | HDPW5620DN*    | HDPW5618DW*    |
| Modellkategória                                                                                  | Hűtő-fagyasztó | Hűtő-fagyasztó | Hűtő-fagyasztó |
| Energiahatékonysági osztály                                                                      | D              | D              | D              |
| Éves energiafogyasztás (kWh/év)                                                                  | 214            | 220            | 214            |
| Hűtőrekesz térfogata (l)                                                                         | 201            | 255            | 198            |
| Fagyasztótér térfogata (l)                                                                       | 117            | 117            | 117            |
| My Zone térfogata (l)                                                                            | 34             | 34             | 34             |
| Csilaggal történő megjelölés                                                                     | 4              | 4              | 4              |
| Fagymentes rendszer                                                                              | Igen           | Igen           | Igen           |
| Hőmérséklet megőrzése tápellátás nélkül (ó) / Hőmérséklet-emelkedési idő (ó)                     | 13             | 13             | 13             |
| Fagyasztási kapacitás (kg/24 ó)                                                                  | 10             | 10             | 10             |
| Klímaosztály A készülék 10 °C közötti 43 °C környezeti hőmérsékleten való felhasználásra készült | SN/N/ST/T      | SN/N/ST/T      | SN/N/ST/T      |
| Zajkibocsátási osztály és levegőben terjedő akusztikus zajkibocsátás (dB(A) re 1 pW)             | 35             | 35             | 35             |



| Gyári jel                                                                                        | Haier          | Haier          | Haier          |
|--------------------------------------------------------------------------------------------------|----------------|----------------|----------------|
| Modellazonosító                                                                                  | HDPW5618CN*    | HDPW5620CN*    | HDPW5620AN*    |
| Modellkategória                                                                                  | Hűtő-fagyasztó | Hűtő-fagyasztó | Hűtő-fagyasztó |
| Energiahatékonysági osztály                                                                      | C              | C              | A              |
| Éves energiafogyasztás (kWh/év)                                                                  | 171            | 176            | 114            |
| Hűtőrekesz térfogata (l)                                                                         | 201            | 255            | 255            |
| Fagyasztótér térfogata (l)                                                                       | 117            | 117            | 120            |
| My Zone térfogata (l)                                                                            | 34             | 34             | 34             |
| Csillaggal történő megjelölés                                                                    | 4              | 4              | 4              |
| Fagymentes rendszer                                                                              | Igen           | Igen           | Igen           |
| Hőmérséklet megőrzése tápellátás nélkül (ó) / Hőmérséklet-emelkedési idő (ó)                     | 13             | 13             | 16             |
| Fagyasztási kapacitás (kg/24 ó)                                                                  | 10             | 10             | 10             |
| Klímaosztály A készülék 10 °C közötti 43 °C környezeti hőmérsékleten való felhasználásra készült | SN/N/ST/T      | SN/N/ST/T      | SN/N/ST/T      |
| Zajkibocsátási osztály és levegőben terjedő akusztikus zajkibocsátás (dB(A) re 1 pW)             | 35             | 35             | 35             |

## Kiegészítő műszaki adatok

| Modellazonosító                   | HTW5618D*                                  | HTW5620DN*                     | HTW5618CN*                     | HTW5620CN*                     |
|-----------------------------------|--------------------------------------------|--------------------------------|--------------------------------|--------------------------------|
| Össztérfogat (l)                  | 360<br>(357 a HTW5618DWMG(UK)<br>esetében) | 414                            | 360                            | 414                            |
| Feszültség /<br>Frekvencia        | 220–240 V váltóáram /<br>50 Hz             | 220–240 V<br>váltóáram / 50 Hz | 220–240 V<br>váltóáram / 50 Hz | 220–240 V<br>váltóáram / 50 Hz |
| Bemeneti<br>áramerősség (A)       | 1,4 A                                      | 1,4 A                          | 1,4 A                          | 1,4 A                          |
| Fő biztosíték (A)                 | 16 A                                       | 16 A                           | 15 A                           | 15 A                           |
| Hűtőközeg/<br>mennyiség           | R600a / 53 g                               | R600a / 53 g                   | R600a / 50 g                   | R600a / 50 g                   |
| Méretetek<br>(Sz/Mé/Ma<br>mm-ben) | 595*667*1850                               | 595*667*2050                   | 595*667*1850                   | 595*667*2050                   |

| Modellazonosító                   | HDPW5618D*                     | HDPW5618DW*                    | HDPW5620DN*                    |
|-----------------------------------|--------------------------------|--------------------------------|--------------------------------|
| Össztérfogat (l)                  | 352                            | 349                            | 406                            |
| Feszültség /<br>Frekvencia        | 220–240 V váltóáram /<br>50 Hz | 220–240 V váltóáram /<br>50 Hz | 220–240 V váltóáram /<br>50 Hz |
| Bemeneti<br>áramerősség (A)       | 1,4 A                          | 1,4 A                          | 1,4 A                          |
| Fő biztosíték (A)                 | 16 A                           | 16 A                           | 16 A                           |
| Hűtőközeg/<br>mennyiség           | R600a / 53 g                   | R600a / 53 g                   | R600a / 53 g                   |
| Méretetek<br>(Sz/Mé/Ma<br>mm-ben) | 595*667*1850                   | 595*667*1850                   | 595*667*2050                   |

| Modellazonosító                 | HDPW5618CN*                    | HDPW5620CN*                    | HDPW5620AN*                    |
|---------------------------------|--------------------------------|--------------------------------|--------------------------------|
| Össztérfogat (l)                | 352                            | 406                            | 409                            |
| Feszültség /<br>Frekvencia      | 220–240 V váltóáram /<br>50 Hz | 220–240 V váltóáram /<br>50 Hz | 220–240 V váltóáram /<br>50 Hz |
| Bemeneti<br>áramerősség (A)     | 1,4 A                          | 1,4 A                          | 1,4 A                          |
| Fő biztosíték (A)               | 15 A                           | 15 A                           | 15 A                           |
| Hűtőközeg/<br>mennyiség         | R600a / 50 g                   | R600a / 50 g                   | R600a / 50 g                   |
| Méreték<br>(Sz/Mé/Ma<br>mm-ben) | 595*667*1850                   | 595*667*2050                   | 595*667*2050                   |

### Szabványok és irányelvek

A termék megfelel az összes vonatkozó EK irányelvben meghatározott követelménynek, valamint a vonatkozó harmonizált szabványoknak, amelyek alapján megilleti a CE-jelölés.

Figyelmébe ajánljuk a Haier ügyfélszolgálat és az eredeti pótalkatrészek igénybe vételét. Ha probléma merül fel a készülékkel, először tekintse át a HIBAELHÁRÍTÁS részt.

Ha ebben nem talál megoldást, lépjen kapcsolatba

- ▶ a helyi márkakereskedővel vagy
- ▶ európai telefonos ügyfélszolgálati központunkkal (lásd alább a felsorolt telefonszámokat) vagy
- ▶ a [www.haier.com](http://www.haier.com) oldalon található Szerviz és támogatás (Service & Support) területen, ahol aktiválhatja a szervizelési
- ▶ igényt, illetve megtalálhatja a GYIK oldalt.

A szerviz szolgáltatásunkkal való kapcsolatfelvétel előtt bizonyosodjon meg arról, hogy elérhetők az alábbi adatok.

Az információ az adattáblán található.

Modell \_\_\_\_\_

Sorozatszám \_\_\_\_\_

Jótállási igény felmerülése esetén ellenőrizze a termékhez mellékelt jótállási kártyát is.

| Európai telefonos ügyfélszolgálati központ |                 |                                                                                                                         |
|--------------------------------------------|-----------------|-------------------------------------------------------------------------------------------------------------------------|
| Ország*                                    | Telefonszám     | Költségek                                                                                                               |
| Haier Italy (IT)                           | 199 100 912     |                                                                                                                         |
| Haier Spain (ES)                           | 902 509 123     |                                                                                                                         |
| Haier Germany (DE)                         | 0180 5 39 39 99 | <ul style="list-style-type: none"> <li>• 14 cent/perc vezetékes</li> <li>• max. 42 cent/perc mobil</li> </ul>           |
| Haier Austria (AT)                         | 0820 001 205    | <ul style="list-style-type: none"> <li>• 14,53 cent/perc vezetékes</li> <li>• max. 20 cent/perc összes egyéb</li> </ul> |
| Haier United Kingdom (UK)                  | 0333 003 8122   |                                                                                                                         |
| Haier France (FR)                          | 0980 406 409    |                                                                                                                         |



\* További országokért látogasson el a [www.haier.com](http://www.haier.com) oldalra

Haier Europe Trading S.r.l

Branch UK

Westgate House, Westgate, Ealing

London, W5 1YY

\*A hűtőszekrény jótállásának időtartama:

Minimális jótállás: 2 év az uniós tagállamokban, 3 év Törökországban, 1 év az Egyesült Királyságban, 1 év Oroszországban, 3 év Svédországban, 2 év Szerbiában, 5 év Norvégiában, 1 év Marokkóban, 6 hónap Algériában, Tunézia nincs kötelező jogi jótállás.

\*A készülék javításához szükséges pótalkatrészek rendelkezésre állásának időtartama:

Termosztátok, hőmérséklet érzékelők, nyomtatott áramköri lapok és fényforrások legalább hét évig elérhetők a piacra bocsátott utolsó modelltől számítva.

Ajtófogantyúk, ajtópántok, tálcák és kosarak legalább hét évig, míg ajtótümitések legalább 10 évig elérhetők a piacra bocsátott utolsó modelltől számítva.

\*A termékre vonatkozó további tájékoztatás ügyében tekintse meg a <https://eprel.ec.europa.eu/> oldalt, vagy olvassa be a készüléken elhelyezett, energiafogyasztást jelölő címkén lévő QR-kódot.



IT

---

|                                                |     |
|------------------------------------------------|-----|
| Informazioni per la sicurezza .....            | 446 |
| Uso previsto.....                              | 452 |
| Descrizione del prodotto .....                 | 453 |
| Pannello di controllo .....                    | 459 |
| Utilizzo .....                                 | 460 |
| Uso della funzione Wi-Fi.....                  | 465 |
| Utilizzo .....                                 | 466 |
| Suggerimenti per il risparmio energetico ..... | 469 |
| Dotazioni.....                                 | 470 |
| Cura e pulizia .....                           | 474 |
| Soluzione dei problemi.....                    | 478 |
| Installazione .....                            | 482 |
| Dati tecnici.....                              | 485 |
| Assistenza clienti.....                        | 491 |

---

## **Grazie per aver acquistato un prodotto Haier.**

Leggere attentamente queste istruzioni prima di utilizzare l'elettrodomestico. Le istruzioni contengono informazioni importanti per comprendere meglio l'uso dell'elettrodomestico e garantire l'installazione, l'uso e la manutenzione sicuri e corretti.

Conservare il presente manuale in un luogo comodo, in modo da poterlo sempre consultare per un uso sicuro e corretto dell'elettrodomestico.

Se l'elettrodomestico viene venduto, ceduto o abbandonato in caso di trasloco, trasferire anche il presente manuale in modo che il nuovo proprietario possa consultarlo e comprendere l'uso dell'elettrodomestico e delle avvertenze di sicurezza.



## **AVVERTENZA - Informazioni importanti per la sicurezza**



## **AVVISO - Informazioni generali e consigli**



## **Informazioni ambientali**



### **Smaltimento**

Contribuire a proteggere l'ambiente e la salute umana. Collocare l'imballo in appositi contenitori affinché venga riciclato. Contribuire al riciclo dei rifiuti delle apparecchiature elettriche ed elettroniche. Non smaltire gli elettrodomestici contrassegnati con questo simbolo assieme ai rifiuti domestici. Conferire il prodotto presso la struttura di riciclo locale o rivolgersi all'ufficio comunale preposto.



## **AVVERTENZA!**

Pericolo di lesioni o soffocamento!

I refrigeranti e i gas devono essere smaltiti in maniera professionale. Accertarsi che la tubazione del circuito del refrigerante non sia danneggiata prima di smaltirla correttamente. Scollegare l'elettrodomestico dalla rete elettrica. Tagliare il cavo di alimentazione e smaltirlo. Rimuovere vassoi e cassette, fermaporte e guarnizioni, per evitare che bambini e animali domestici rimangano chiusi nell'elettrodomestico.



## Prima di accendere l'elettrodomestico per la prima volta, leggere i seguenti consigli sulla sicurezza:



### AVVERTENZA!

#### Operazioni preliminari al primo utilizzo

- ▶ Accertarsi dell'assenza di danni dovuti al trasporto.
- ▶ Rimuovere tutti gli elementi di imballo e tenerli fuori dalla portata dei bambini.
- ▶ Per garantire la totale efficienza del circuito del refrigerante, attendere almeno due ore prima di installare l'elettrodomestico.
- ▶ L'elettrodomestico deve essere maneggiato sempre da almeno due persone perché è pesante.

#### Installazione

- ▶ Installare l'elettrodomestico in un luogo asciutto e ben ventilato. Lasciare uno spazio libero di almeno 10 cm sopra e attorno all'elettrodomestico.
- ▶ Non collocare mai l'elettrodomestico in zone umide o soggette a schizzi d'acqua. Pulire e asciugare schizzi e macchie d'acqua con un panno morbido e pulito.
- ▶ Non installare l'elettrodomestico esposto alla luce diretta del sole o in prossimità di fonti di calore (ad es. stufe o radiatori).
- ▶ Installare l'elettrodomestico a livello in un'area adatta alle dimensioni e all'uso.
- ▶ Le aperture di ventilazione nell'elettrodomestico o nella struttura a incasso devono rimanere sempre libere.
- ▶ Accertarsi che i dati elettrici sulla targhetta siano conformi all'alimentazione elettrica. In caso contrario, rivolgersi a un elettricista.
- ▶ L'elettrodomestico funziona con corrente elettrica 220-240 Vca / 50 Hz. Oscillazioni anomale della tensione possono causare il mancato avvio dell'elettrodomestico, danni al controllo della temperatura o al compressore oppure rumori anomali durante il funzionamento. In tal caso, è opportuno montare un regolatore automatico.
- ▶ Per l'alimentazione elettrica utilizzare una presa separata collegata a terra e facilmente accessibile. L'elettrodomestico deve essere collegato a terra.
- ▶ Solo per il Regno Unito: il cavo di alimentazione dell'elettrodomestico è dotato di una spina a 3 conduttori (collegata a terra) adatta a una presa standard a 3 conduttori (collegata a terra). Non tagliare né smontare mai il terzo conduttore (collegamento a terra). Dopo l'installazione dell'elettrodomestico, la spina deve essere accessibile.
- ▶ Non adoperare prese multiple o cavi di prolunga.
- ▶ Accertarsi che il cavo di alimentazione non sia intrappolato dal frigorifero. Non calpestare il cavo di alimentazione.
- ▶ Non danneggiare il circuito di refrigerazione.
- ▶ Non collocare prese multiple o alimentatori portatili nella parte posteriore dell'elettrodomestico.



## AVVERTENZA!

### Utilizzo quotidiano

- ▶ Questo elettrodomestico può essere utilizzato da bambini di almeno 8 anni, da persone con ridotte capacità fisiche, sensoriali o mentali e da persone inesperte solo sotto stretta sorveglianza o se hanno appreso le modalità di utilizzo sicuro dell'elettrodomestico e sono consapevoli dei relativi pericoli.
- ▶ Impedire ai bambini di giocare con l'elettrodomestico.
- ▶ I bambini di età da 3 a 8 anni possono riempire e svuotare gli elettrodomestici refrigeranti, ma non devono pulirli o installarli.
- ▶ Tenere lontani dall'elettrodomestico i bambini di età inferiore a 3 anni, a meno che non siano sorvegliati costantemente.
- ▶ La pulizia e la manutenzione non devono essere effettuate da bambini non sorvegliati.
- ▶ L'elettrodomestico deve essere posizionato in modo che la spina sia accessibile.
- ▶ In caso di perdite di gas refrigerante o altri gas infiammabili in prossimità dell'elettrodomestico, chiudere la valvola del gas che fuoriesce, aprire porte e finestre e non staccare la spina del cavo di alimentazione del frigorifero o di altri elettrodomestici.
- ▶ Si noti che l'elettrodomestico è regolato per il funzionamento in un intervallo ambiente specifico compreso tra 10 e 43 °C. L'elettrodomestico potrebbe non funzionare correttamente se lasciato per un lungo periodo a una temperatura superiore o inferiore all'intervallo indicato.
- ▶ Non collocare elementi instabili (oggetti pesanti, contenitori pieni d'acqua) sopra il frigorifero/congelatore, per evitare lesioni personali dovute a cadute o scosse elettriche causate dal contatto con l'acqua.
- ▶ Non caricare eccessivamente gli scaffali dello sportello. Lo sportello potrebbe deformarsi, il portabottiglie potrebbe fuoriuscire o l'elettrodomestico potrebbe rovesciarsi.
- ▶ Aprire e chiudere lo sportello solo adoperando le maniglie. La distanza tra lo sportello e il vano è molto limitata. Non mettere le mani in queste zone per evitare che le dita rimangano intrappolate. Aprire o chiudere gli sportelli del frigorifero/congelatore solo quando non ci sono bambini nel raggio di movimento degli sportelli.
- ▶ Non riporre nel congelatore bevande o birre imbottigliate, liquidi in bottiglie o lattine (né alcool ad alta gradazione) e specialmente bevande gasate, perché durante il congelamento potrebbero scoppiare.
- ▶ Non collocare sostanze esplosive (ad es. lattine di aerosol con propellente infiammabile) all'interno di questo elettrodomestico.



## AVVERTENZA!

- ▶ Non conservare medicinali, batteri o sostanze chimiche nell'elettrodomestico. Questo apparecchio è un elettrodomestico. Si sconsiglia di conservare materiali che richiedono temperature rigide.
- ▶ Per evitare la contaminazione degli alimenti, attenersi alle seguenti istruzioni:
- ▶ - Se gli sportelli rimangono aperti a lungo, la temperatura negli scomparti dell'elettrodomestico aumenta notevolmente.
- ▶ - Pulire regolarmente le superfici che entrano a contatto con gli alimenti e i sistemi di scarico accessibili.
- ▶ - Pulire i serbatoi dell'acqua se non sono stati utilizzati per 48 ore; lavare il sistema idrico collegato alla fonte idrica se l'acqua non è stata scaricata per 5 giorni.
- ▶ - Conservare carne e pesce crudi nel frigorifero in contenitori idonei, in modo che non gocciolino o entrino a contatto con altri alimenti.
- ▶ - I vani congelatore a due stelle sono adatti alla conservazione di alimenti precongelati e alla conservazione o preparazione di gelati e cubetti di ghiaccio.
- ▶ - I vani congelatore a una, due o tre stelle non sono adatti al congelamento di alimenti freschi.
- ▶ - Se il frigorifero dovrà rimanere vuoto per lunghi periodi, spegnerlo, sbrinarlo, pulirlo, asciugarlo e lasciare lo sportello aperto per evitare la formazione di muffa all'interno dell'elettrodomestico.
- ▶ Se la temperatura del congelatore è aumentata, controllare lo stato degli alimenti.
- ▶ Non impostare una temperatura inutilmente bassa nel vano frigorifero. Con impostazioni elevate possono crearsi temperature sotto zero. Attenzione: le bottiglie possono scoppiare.
- ▶ Non toccare i prodotti congelati con le mani bagnate (indossare i guanti). In particolare, non mangiare i ghiaccioli subito dopo averli tolti dal vano congelatore. In caso contrario, potrebbe congelarsi la bocca e potrebbero formarsi vesciche da gelo. PRONTO SOCCORSO: collocare immediatamente la zona congelata sotto l'acqua fredda corrente. Non strappare via!
- ▶ Non toccare la superficie interna del comparto congelatore durante il funzionamento, soprattutto con le mani bagnate, poiché le mani potrebbero congelarsi sulla superficie.
- ▶ In caso di blackout o prima della pulizia, scollegare l'elettrodomestico. Attendere almeno 7 minuti prima di riavviare l'elettrodomestico, poiché un avvio frequente può danneggiare il compressore.
- ▶ Non adoperare apparecchiature elettriche all'interno dei compartimenti dell'elettrodomestico destinati alla conservazione degli alimenti, a meno che non siano del tipo consigliato dal produttore.



## AVVERTENZA!

### Manutenzione/pulizia

- ▶ Accertarsi che i bambini siano sorvegliati se effettuano la pulizia e la manutenzione.
- ▶ Scollegare l'elettrodomestico dalla rete elettrica prima di effettuare operazioni di manutenzione ordinaria. Attendere almeno 5 minuti prima di riavviare l'elettrodomestico, poiché un avvio frequente può danneggiare il compressore.
- ▶ Quando si scollega l'elettrodomestico, mantenere la spina e non il cavo.
- ▶ Non pulire l'elettrodomestico con spazzole rigide, spazzole metalliche, detersivi in polvere, benzina, acetato di pentile, acetone e soluzioni organiche simili, soluzioni acide o alcaline. Per la pulizia adoperare un detersivo speciale per frigoriferi/congelatori per evitare danni. Alla fine utilizzare acqua calda e una soluzione di bicarbonato di sodio (un cucchiaino di bicarbonato di sodio per litro d'acqua). Sciacquare abbondantemente con acqua e asciugare con un panno. Non adoperare detersivi in polvere o altri detersivi abrasivi. Non lavare le parti rimovibili in lavastoviglie.
- ▶ Non raschiare via ghiaccio e brina con oggetti appuntiti. Non adoperare spray, riscaldatori elettrici (ad es. asciugacapelli) o altre fonti di calore per evitare danni ai componenti in plastica.
- ▶ Non usare oggetti meccanici o utensili diversi da quelli consigliati dal produttore per accelerare lo sbrinamento.
- ▶ Se il cavo di alimentazione è danneggiato, deve essere sostituito dal produttore, da un tecnico dell'assistenza o da una persona con analogo qualifica per evitare rischi.
- ▶ Non cercare di riparare, smontare o modificare personalmente l'elettrodomestico. Per le riparazioni rivolgersi all'assistenza clienti.
- ▶ Se le lampadine sono danneggiate, devono essere sostituite dal produttore, da un tecnico dell'assistenza o da una persona con analogo qualifica per evitare rischi.
- ▶ Eliminare la polvere sul retro dell'unità almeno una volta all'anno per scongiurare il rischio di incendio e limitare i consumi energetici.
- ▶ Non spruzzare o schizzare liquidi sull'elettrodomestico durante la pulizia.
- ▶ Per pulire questo elettrodomestico non utilizzare apparecchi a vapore.
- ▶ Non pulire con acqua calda i ripiani in vetro o lo sportello in vetro freddi, poiché uno sbalzo improvviso della temperatura potrebbe causarne la rottura.
- ▶ Se l'elettrodomestico deve rimanere inutilizzato per lungo tempo, lasciarlo aperto per evitare che all'interno si generino odori sgradevoli.

## Informazioni sul gas refrigerante



### AVVERTENZA!

L'elettrodomestico contiene il refrigerante infiammabile ISOBUTANO (R600a). Accertarsi che il circuito del refrigerante non abbia subito danni durante il trasporto o l'installazione. Eventuali perdite di refrigerante possono causare lesioni oculari o incendi. In caso di danni, tenere lontane fonti di fiamme libere, ventilare perfettamente l'ambiente, non collegare o scollegare i cavi di alimentazione dell'elettrodomestico o di altri elettrodomestici. Informare l'assistenza clienti.

In caso di contatto con gli occhi, sciacquare immediatamente con acqua corrente e rivolgersi immediatamente a un oculista.

L'impianto di refrigerazione è ad alta pressione. Non manometterlo. Poiché sono utilizzati refrigeranti infiammabili, l'installazione, la movimentazione e la manutenzione dell'elettrodomestico devono essere effettuate attenendosi scrupolosamente alle istruzioni; per lo smaltimento dell'elettrodomestico, rivolgersi a un professionista o all'assistenza post-vendita.

Per i frigoriferi con funzione acqua-ghiaccio, prestare attenzione alla seguente avvertenza:

- Per gli elettrodomestici non progettati per il collegamento alla rete idrica: riempire solo con acqua potabile.
- Per gli elettrodomestici progettati per il collegamento alla rete idrica: collegare solo a una fonte di acqua potabile.
- Per pulire l'impianto idrico, fare riferimento al manuale per l'utente. In caso di domande, contattare l'assistenza post-vendita.

## Usato previsto

Questo elettrodomestico è destinato al raffreddamento e al congelamento di alimenti. È stato progettato esclusivamente per l'uso in applicazioni domestiche e simili, ad es. zone cucina del personale in negozi, uffici e altri ambienti di lavoro; in fattorie, da clienti in hotel, motel e altri ambienti di tipo residenziale, nonché in bed-and-breakfast e attività di ristorazione. Non è destinato ad usi commerciali o industriali. Non sono consentiti cambiamenti o modifiche all'elettrodomestico. Utilizzi errati possono causare pericoli e annullare la garanzia.

## Norme e direttive

Questo prodotto è conforme ai requisiti di tutte le direttive CE vigenti con le corrispondenti norme armonizzate e le norme del Regno Unito che prevedono il marchio CE e UKCA.

## Accessori

Controllare gli accessori e la documentazione in base al seguente elenco:

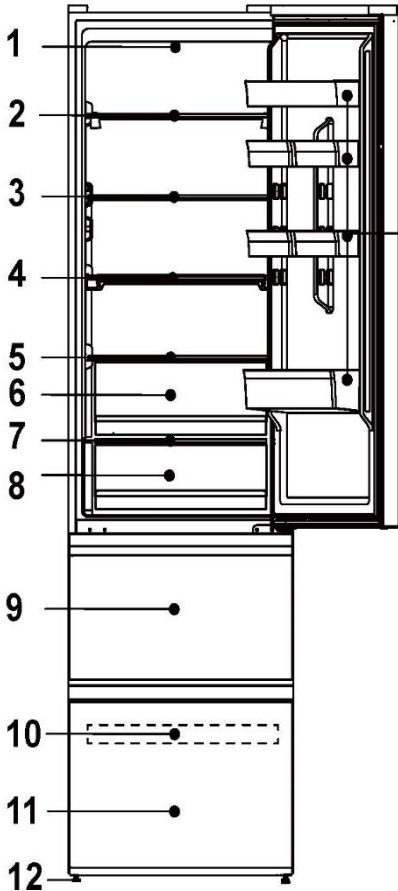
|                                                                                   |                                                                                   |                                                                                   |                                                                                   |                                                                                   |                                                                                   |
|-----------------------------------------------------------------------------------|-----------------------------------------------------------------------------------|-----------------------------------------------------------------------------------|-----------------------------------------------------------------------------------|-----------------------------------------------------------------------------------|-----------------------------------------------------------------------------------|
|  |  |  |  |  |  |
| Vassoio per ghiaccio in cubetti con coperchio                                     | Cerniere dello sportello                                                          | Coperchio della cerniera                                                          | Inserto del cappuccio                                                             | Etichetta energetica                                                              | Scheda della garanzia                                                             |

## AVVISO

A causa di modifiche tecniche e della varietà dei modelli, alcune illustrazioni riportate nel presente manuale possono essere diverse dall'aspetto reale del modello acquistato.

**i** AVVISIO

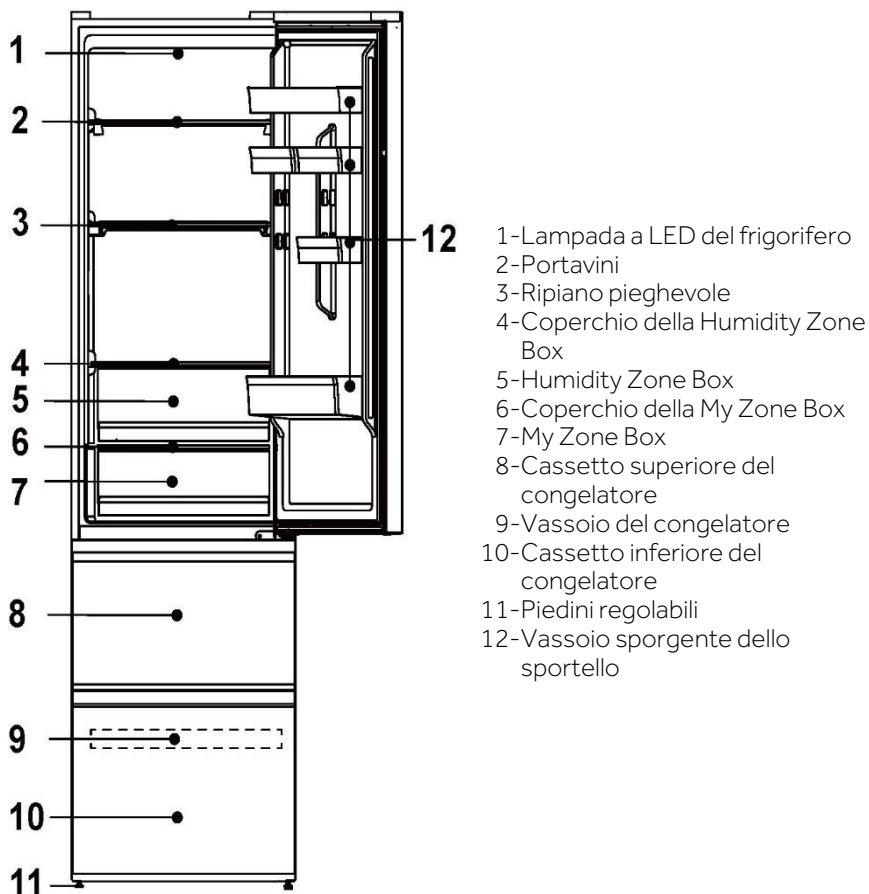
A causa di modifiche tecniche e della varietà dei modelli, alcune illustrazioni riportate nel presente manuale possono essere diverse dall'aspetto reale del modello (HTW5620\*N\*).



- 1-Lampada a LED del frigorifero
- 2-Portavini
- 3-Ripiano in vetro
- 4-Ripiano pieghevole
- 5-Coperchio della Humidity Zone Box
- 6-Humidity Zone Box
- 7-Coperchio della My Zone Box
- 8-My Zone Box
- 9-Cassetto superiore del congelatore
- 10-Vassoio del congelatore
- 11-Cassetto inferiore del congelatore
- 12-Piedini regolabili
- 13-Vassoio sporgente dello sportello

### **i** AVVISO

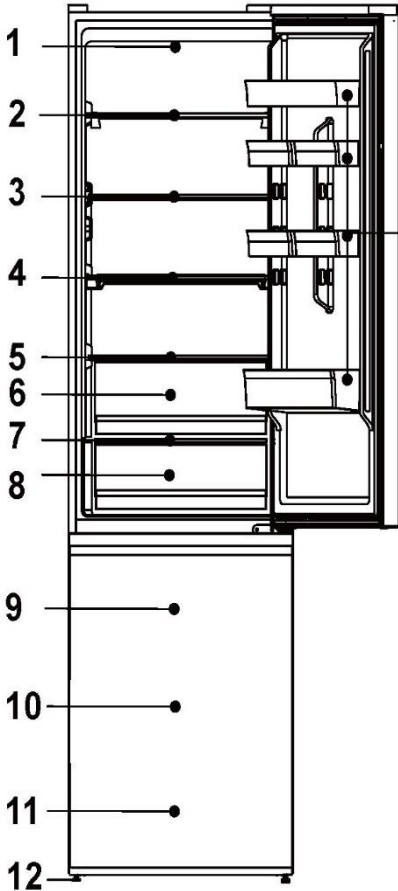
A causa di modifiche tecniche e della varietà dei modelli, alcune illustrazioni riportate nel presente manuale possono essere diverse dall'aspetto reale del modello (HTW5618\*N\*).





**i** AVVISO

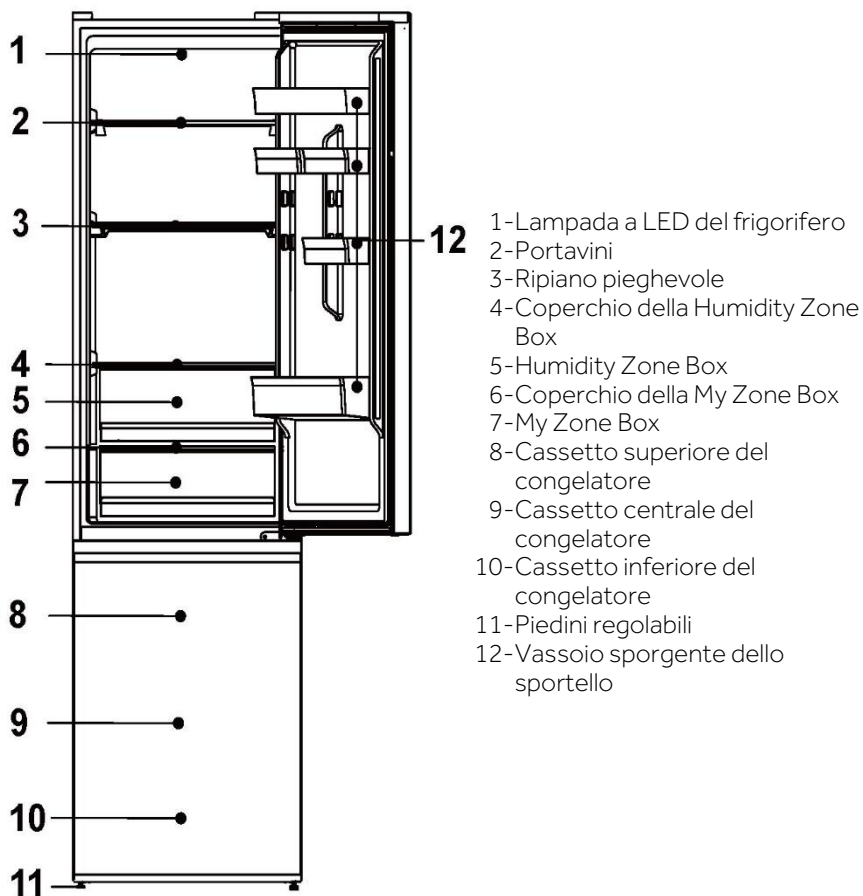
A causa di modifiche tecniche e della varietà dei modelli, alcune illustrazioni riportate nel presente manuale possono essere diverse dall'aspetto reale del modello (HDPW5620\*N\*).



- 1-Lampada a LED del frigorifero
- 2-Portavini
- 3-Ripiano in vetro
- 4-Ripiano pieghevole
- 5-Coperchio della Humidity Zone Box
- 6-Humidity Zone Box
- 7-Coperchio della My Zone Box
- 8-My Zone Box
- 9-Cassetto superiore del congelatore
- 10-Cassetto centrale del congelatore
- 11-Cassetto inferiore del congelatore
- 12-Piedini regolabili
- 13-Vassoio sporgente dello sportello

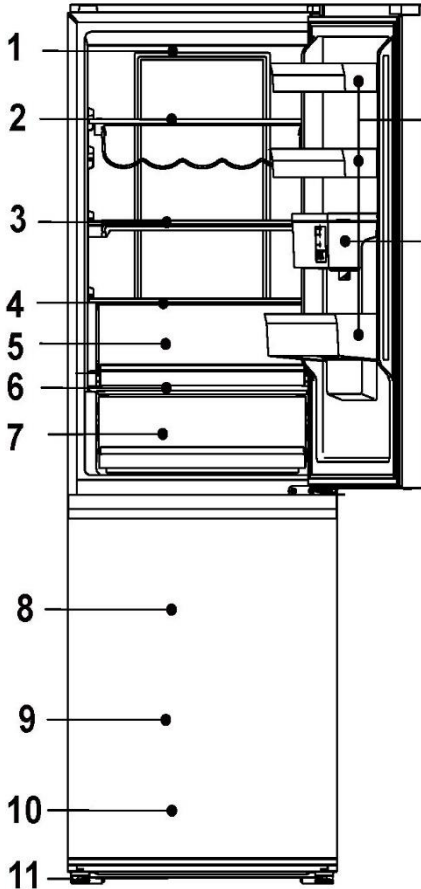
### **i** AVVISO

A causa di modifiche tecniche e della varietà dei modelli, alcune illustrazioni riportate nel presente manuale possono essere diverse dall'aspetto reale del modello (HDPW5618\*N\*).



**i** AVVISO

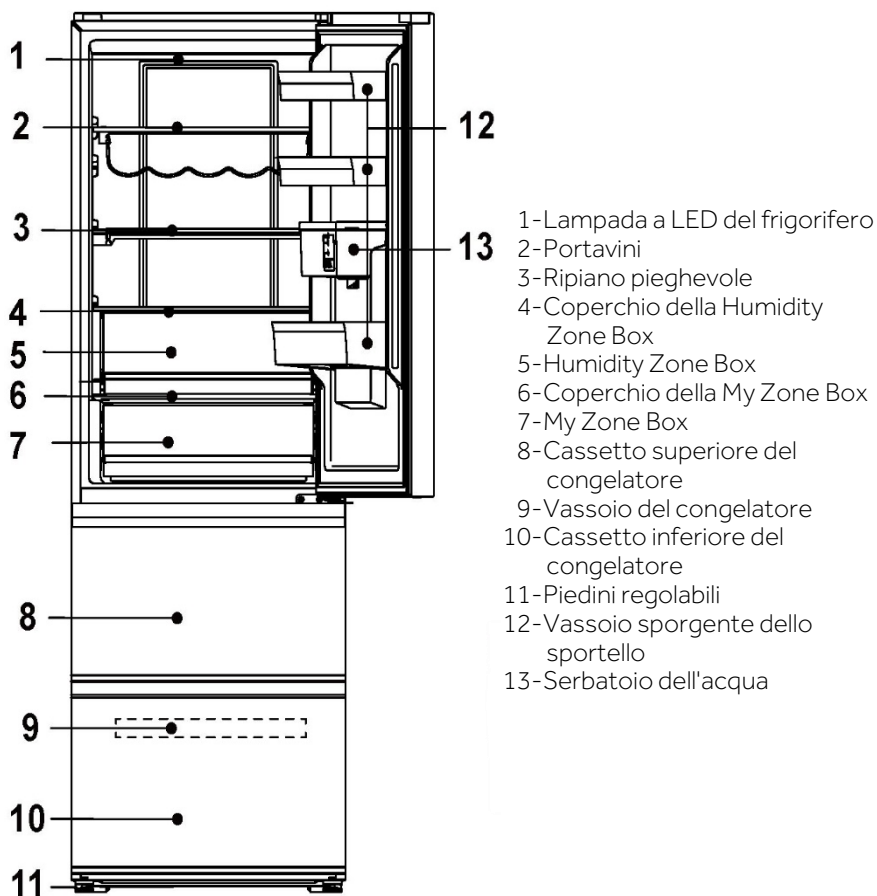
A causa di modifiche tecniche e della varietà dei modelli, alcune illustrazioni riportate nel presente manuale possono essere diverse dall'aspetto reale del modello (HDPW5618DW\*).



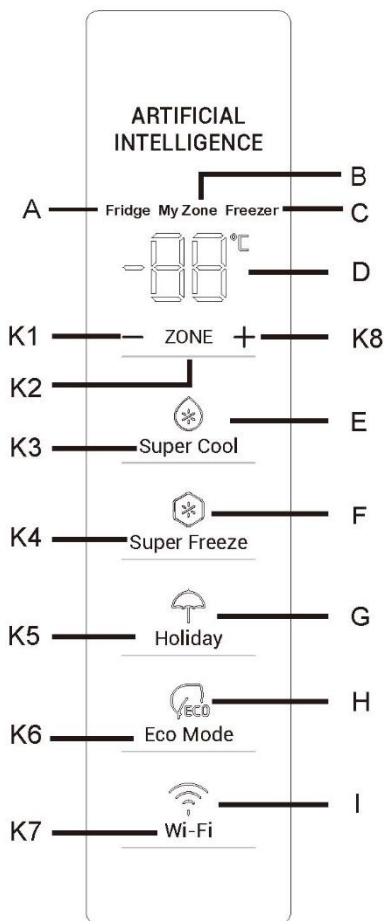
- 1-Lampada a LED del frigorifero
- 2-Portavini
- 3-Ripiano pieghevole
- 4-Coperchio della Humidity Zone Box
- 5-Humidity Zone Box
- 6-Coperchio della My Zone Box
- 7-My Zone Box
- 8-Cassetto superiore del congelatore
- 9-Cassetto centrale del congelatore
- 10-Cassetto inferiore del congelatore
- 11-Piedini regolabili
- 12-Vassoio sporgente dello sportello
- 13-Serbatoio dell'acqua

### **i** AVVISO

A causa di modifiche tecniche e della varietà dei modelli, alcune illustrazioni riportate nel presente manuale possono essere diverse dall'aspetto reale del modello (HTW5618DW\*).



## Pannello di controllo



Tasti:

- A Comparto frigorifero
- B Comparto My Zone
- C Comparto congelatore
- D Visualizzazione della temperatura
- E Funzione Super Cool
- F Funzione Super Freeze
- G Funzione Holiday
- H Funzione Eco Mode
- I Funzione Wi-Fi

Indicatori:

- K1 Diminuzione della temperatura
- K2 Selezione frigorifero, My Zone e congelatore
- K3 Funzione Super Cool on/off
- K4 Funzione Super Freeze on/off
- K5 Funzione Holiday on/off
- K6 Funzione Eco Mode on/off
- K7 Funzione Wi-Fi on/off
- K8 Aumento della temperatura

### Operazioni preliminari al primo utilizzo

Rimuovere tutti i materiali di imballo, tenerli fuori dalla portata dei bambini e smaltirli nel rispetto dell'ambiente.

Pulire l'interno e l'esterno dell'elettrodomestico, nonché l'interno e gli accessori con acqua e un detergente delicato, quindi asciugarlo bene con un panno morbido.

Dopo l'installazione a livello e la pulizia dell'elettrodomestico, attendere almeno 2 ore prima di collegarlo all'alimentazione elettrica. Vedere la sezione INSTALLAZIONE.

Prima di caricare gli alimenti, preraffreddare i vani con impostazioni elevate.

La funzione Super Freeze serve a raffreddare rapidamente il comparto congelatore.

## Tasti a sensore

I tasti del pannello di controllo sono di tipo a sensore che rispondono toccandoli lievemente con un dito.

## Accensione e spegnimento dell'elettrodomestico

L'elettrodomestico entra in funzione non appena viene collegato all'alimentazione elettrica.

Quando l'apparecchio viene acceso per la prima volta, gli indicatori di temperatura "D" mostrano i valori preimpostati (fare riferimento all'Avviso seguente).

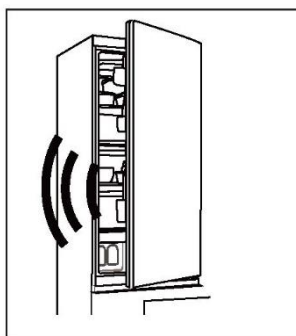
### AVVISO

L'elettrodomestico è preimpostato alla temperatura consigliata di 5 °C (frigorifero) e -18 °C (congelatore). La temperatura di My Zone è preimpostata al valore consigliato di circa 2 °C. È possibile, tuttavia, cambiare manualmente queste temperature.

## Allarme sportello aperto

Se lo sportello rimane aperto per oltre 3 minuti, il frigorifero emette un allarme acustico per segnalarlo.

L'allarme può essere tacitato chiudendo lo sportello. Se lo sportello rimane aperto per oltre 7 minuti, l'illuminazione interna del frigorifero e l'illuminazione del pannello di controllo si spengono automaticamente.



Regolazione della temperatura

Le temperature interne dipendono dai seguenti fattori:

Temperatura ambiente

Frequenza di apertura dello sportello

Quantità di alimenti conservati

Installazione dell'elettrodomestico

## Regolazione della temperatura del frigorifero

1. Premere il tasto "K2" (selezione Frigorifero/(My Zone)/Congelatore) per selezionare il comparto frigorifero. Le icone "A" (comparto frigorifero) e "D" (visualizzazione temperatura) sono accese.
2. Premere il tasto "K1/K8" per impostare la temperatura del frigorifero.

La temperatura aumenta in sequenze di 1 °C, da un minimo di 2 °C a un massimo di 8 °C. La temperatura ottimale del frigorifero è di 5 °C. Temperature più basse comportano un consumo di energia superfluo.

3. Dopo circa 5 secondi, l'icona della temperatura "D" (visualizzazione della temperatura) si illumina in modo permanente confermando l'impostazione.

### AVVISO

Dall'App è possibile personalizzare sia la temperatura del vano frigorifero che quella del vano congelatore. La temperatura può essere impostata con una sensibilità di 1 °C.

## Regolazione della temperatura del congelatore

1. Per selezionare il comparto congelatore, premere il tasto a sfioramento "K2" (selezione frigorifero/(My Zone)/congelatore); a questo punto le icone "C" (comparto congelatore) e "D" (visualizzazione temperatura) si accendono.
2. Premere il tasto a sfioramento "K1/K8" per impostare la temperatura del congelatore.

La temperatura aumenta in sequenze di 1 °C, da un minimo di -24 °C a un massimo di -16 °C. La temperatura ottimale del frigorifero è -18°C. Temperature più fredde comportano un consumo di energia non necessario.

3. Dopo circa 5 secondi, l'indicatore della temperatura "D" (visualizzazione della temperatura) si illumina in modo permanente confermando l'impostazione.

### AVVISO

Dopo aver impostato la temperatura, se vengono premuti altri tasti entro 5 secondi, l'impostazione della temperatura corrente verrà confermata immediatamente. Se non viene eseguita alcuna operazione con i tasti entro 5 secondi, viene visualizzata la temperatura impostata corrente finché lo schermo non si spegne.

## Regolazione della temperatura del comparto My Zone

Il vano frigorifero è dotato di una My Zone Box. In base alle esigenze di conservazione degli alimenti, è possibile selezionare la temperatura più adatta per preservare i valori nutrizionali ottimali degli alimenti.

1. Premere il tasto "K2" (selezione Frigorifero/(My Zone)/Congelatore) per selezionare il comparto My Zone. Le icone "B" (comparto My Zone) e "D" (Visualizzazione temperatura) sono accese. La selezione può essere effettuata anche dall'App.
2. Premere il tasto a sfioramento "K1/K8" per impostare la temperatura My Zone. La temperatura può essere regolata anche sull'App.

La temperatura aumenta in sequenze di 1°C, da un minimo di 0°C a un massimo di 5°C.

3. Dopo circa 5 secondi, l'icona della temperatura "D" (visualizzazione della temperatura) si illumina in modo permanente confermando l'impostazione.

### AVVISO

1. È possibile impostare la temperatura del comparto My Zone al livello medio (2 °C) per proteggere gli alimenti in un ambiente di conservazione ottimale.
2. A causa del diverso contenuto di acqua della carne, alcuni tipi di carne con umidità più elevata si congelano a temperature inferiori a 0 °C. Per tale motivo, la carne di fresco taglio deve essere conservata nella My Zone Box a una temperatura minima di 0 °C.
3. I formaggi, la frutta e gli ortaggi sensibili al freddo (ad es. ananas, avocado, banane, pompelmi; patate, melanzane, fagioli, cetrioli, zucchine e pomodori) non devono essere conservati nella My Zone Box.
4. Se la temperatura del frigorifero è inferiore alla temperatura My Zone, è normale che la temperatura My Zone sia inferiore alla temperatura impostata My Zone.

## Funzione Super-Cool

1. È preferibile attivare la funzione Super Cool se occorre conservare una quantità maggiore di alimenti (ad es. dopo l'acquisto). La funzione Super Cool accelera il raffreddamento degli alimenti freschi e protegge quelli già conservati da un riscaldamento indesiderato.
2. Premere il tasto "K3" o attivarlo dall'App, l'icona "E" (funzione Super Cool) si accende e la funzione è attivata.



## AVVISO

1. L'elettrodomestico esce dalla "funzione Super Cool" dopo essere rimasto nella "funzione Super Cool" per 6 ore o dopo aver premuto il tasto "K3" quando l'icona "E" (funzione Super Cool) è accesa o spegnendolo dall'App.
2. Nello stato di Super Cool, se si regola la temperatura del comparto frigorifero, l'icona "E" (funzione Super Cool) lampeggia ad indicare che questa operazione non può essere effettuata.

## Funzione Super-Frz

1. Gli alimenti freschi devono essere congelati prima possibile fino in profondità. In tal modo, si preservano il più possibile i valori nutrizionali, l'aspetto e il gusto. La funzione Super Freeze accelera il congelamento degli alimenti freschi e protegge quelli già conservati da un riscaldamento indesiderato. Se occorre congelare molti alimenti insieme, è preferibile impostare la funzione Super Freeze 24 ore prima.
2. Premere il tasto "K4" (impostazione funzione Super Freeze) o accenderlo dall'App, l'icona "F" (funzione Super Freeze) si accende e la funzione è attivata.

## AVVISO

1. L'elettrodomestico esce dalla "funzione Super Freeze" dopo essere rimasto nella "funzione Super Freeze" per 50 ore o dopo aver premuto il tasto "K4" quando l'icona "F" (funzione Super Freeze) è accesa o spegnendolo dall'App.
2. Nello stato di Super Freeze, se si regola la temperatura del comparto congelatore, l'icona "F" (funzione Super Freeze) lampeggia ad indicare che questa operazione non può essere effettuata.

## Funzione Holiday

La funzione Holiday può essere utilizzata per ridurre il consumo energetico dell'elettrodomestico quando non viene utilizzato regolarmente. Quando la funzione è attiva, il frigorifero è acceso, mentre il congelatore continuerà a funzionare normalmente. La funzione imposta la temperatura del frigorifero in modo permanente a 17°C.

Consente di mantenere chiuso lo sportello del frigorifero vuoto senza che si sviluppino odori o muffe durante una lunga assenza (es. durante le vacanze). Il comparto congelatore è indipendente da questa impostazione.

1. Premere il tasto "K5" (funzione Holiday on/off) o selezionare la funzione dall'App, l'icona "G" (funzione Holiday) si illumina e la funzione è attivata.
2. La funzione può essere disattivata premendo nuovamente il tasto "K5" (funzione Holiday on/off) o impostando la temperatura del frigorifero oppure eseguendo una qualsiasi altra impostazione o infine spegnendola dall'App.

## AVVISO

1. Con la funzione Holiday attiva non conservare gli alimenti nel comparto frigorifero. La temperatura di +17 °C è eccessiva per la conservazione degli alimenti.
2. Quando la funzione Holiday è attiva, l'icona My Zone rimane spenta e la funzione frigorifero è bloccata. Se si regola la temperatura del comparto frigorifero, l'icona "G" (funzione Holiday) lampeggia a indicare che questa operazione non può essere effettuata.

### Funzionamento della Eco Mode

È possibile attivare la Eco Mode per ottimizzare le prestazioni dell'elettrodomestico, garantendo al tempo stesso la migliore conservazione degli alimenti. In assenza di esigenze particolari, è preferibile utilizzare la funzione Eco Mode.

In questa modalità la temperatura del frigorifero è di 5°C, la temperatura del congelatore è di -18°C.

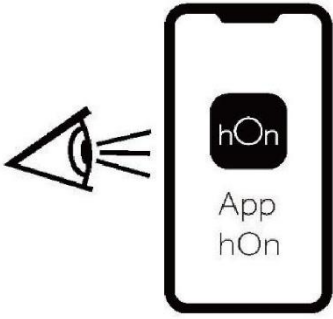
1. Premere il tasto "K6" (funzionamento della Eco Mode on/off) o selezionare la funzione dall'App.
2. L'icona "H" (funzionamento della Eco Mode) è accesa e la funzione è attivata.

Ripetendo la procedura precedente o selezionando un'altra funzione oppure spegnendo dall'App, questa funzione può essere nuovamente disattivata. Vengono ripristinati i livelli di raffreddamento precedentemente impostati.

## AVVISO

Con la funzione Eco Mode, se si regola la temperatura dei comparti frigo/freezer, l'icona "H" (funzione Eco Mode) lampeggia a indicare che questa operazione non può essere effettuata.

Passo 1 Scaricare l'applicazione hOn dagli store.

|                                                                                                                                                                      |                                                                                                                                                           |
|----------------------------------------------------------------------------------------------------------------------------------------------------------------------|-----------------------------------------------------------------------------------------------------------------------------------------------------------|
|                                                                                     |                                                                                                                                                           |
| <p>Passo 2 Creare un account nell'app hOn o accedere se esiste già un account.</p>  | <p>Passo 3 Per l'accoppiamento, seguire le istruzioni dell'app hOn.</p>  |

IT

### Funzione Wi-Fi

1. Seguire le istruzioni dell'App per configurare la funzione Wi-Fi.
2. Una volta configurata la funzione Wi-Fi e stabilita la connessione, l'icona Wi-Fi "I" rimane sempre accesa.
3. Se il Wi-Fi è già stato configurato, una volta acceso si riconnette automaticamente in base ai dati di configurazione.

### AVVISO

1. Per disattivare il Wi-Fi premere il tasto "K7"; in questo modo l'icona Wi-Fi "I" si spegne.
2. Per attivare il Wi-Fi e avviare la configurazione, premere il tasto "K7"; in questo modo l'icona Wi-Fi "I" inizia a lampeggiare lentamente. Se si desidera configurare la funzione Wi-Fi, tenere premuto il tasto "K7" per 3 secondi; in questo modo l'icona Wi-Fi lampeggia velocemente ed entra in modalità di configurazione. Se si desidera disattivare la funzione Wi-Fi, premere una volta il tasto "K7". I passaggi precedenti vengono ripetuti.
3. Se il prodotto è stato configurato e la funzione Wi-Fi è stata disattivata, il frigorifero non entra in modalità di configurazione una volta ricollegato all'alimentazione.

### AVVISO

1. Questo prodotto non è destinato all'uso commerciale.
2. Potenza massima di uscita RF: 2,4 GHz Wi-Fi: 16 dBm;
3. Bluetooth LE: 5 dBm; Bluetooth (BR/EDR): 10 dBm.
4. Banda di frequenza operativa: 2400-2483,5 MHz.

## Conservazione nel vano frigorifero

Mantenere nel frigorifero una temperatura inferiore a 5 °C.

Lasciare raffreddare gli alimenti caldi fino a quando raggiungono la temperatura ambiente prima di conservarli nell'elettrodomestico.

Lavare e asciugare gli alimenti prima di conservarli nel frigorifero.

Per evitare alterazioni dell'odore o del sapore, sigillare adeguatamente gli alimenti da conservare.

Non conservare alimenti in quantità eccessiva. Per un raffreddamento migliore e più omogeneo, lasciare spazio tra gli alimenti per consentire il passaggio dell'aria fredda. È preferibile conservare nella parte anteriore del ripiano gli alimenti consumati quotidianamente.

Lasciare spazio tra gli alimenti e le pareti interne, per facilitare il passaggio dell'aria. In ogni caso, non riporre gli alimenti a contatto con la parete posteriore, perché potrebbero congelarsi. Evitare il contatto diretto degli alimenti (specialmente se oleosi o acidi) con il rivestimento interno, poiché l'olio e l'acido possono corroderlo. Pulire immediatamente lo sporco oleoso o acido.

Gli alimenti congelati possono essere scongelati gradualmente nello scomparto frigorifero. In questo modo si risparmia energia.

Il frigorifero può accelerare il processo di maturazione di frutta e verdura come zucchine, meloni, papaya, banane, ananas, ecc., che pertanto si consiglia di conservare altrove. Per un certo periodo il frigorifero può tuttavia favorire la maturazione di frutti molto acerbi. Conservare a temperatura ambiente anche cipolle, aglio, zenzero e altri tuberi.

Eventuali odori sgradevoli all'interno del frigorifero indicano che qualcosa si è rovesciato ed è necessario pulire l'elettrodomestico. Vedere Cura e pulizia.

È preferibile collocare alimenti diversi in aree diverse, a seconda delle loro proprietà.

## Conservazione nel vano congelatore

Nel congelatore mantenere la temperatura di -18 °C.

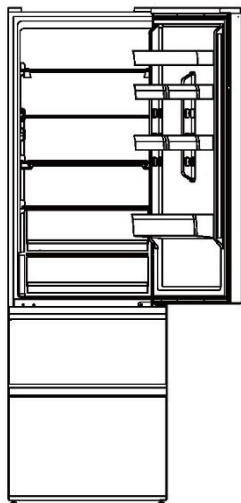
24 ore prima del congelamento, attivare la funzione Super-Freeze. Per piccole quantità di cibo sono sufficienti 4-6 ore.

Lasciare raffreddare gli alimenti caldi fino a quando raggiungono la temperatura ambiente prima di conservarli nel comparto congelatore.

Gli alimenti tagliati in piccole porzioni si congelano e si scongelano più rapidamente. Il peso consigliato per ogni porzione è inferiore a 2,5 kg

È preferibile confezionare gli alimenti prima di collocarli nel congelatore. Per evitare che i sacchetti si attacchino tra loro, la parte esterna della confezione deve essere asciutta. I materiali per il confezionamento devono essere inodori, ermetici, non velenosi e non tossici.

Per evitare di superare la scadenza dei periodi di conservazione, annotare sulla confezione la data di congelamento, il limite di tempo e il nome dell'alimento in base ai periodi di conservazione dei vari alimenti.



## AVVERTENZA!

- ▶ Acidi, alcali, sale ecc. potrebbero corrodere la superficie interna del congelatore.
- ▶ Non collocare alimenti con tali sostanze (ad es. pesce di mare) a contatto diretto con la superficie interna. Eliminare immediatamente l'acqua salata dal congelatore.
- ▶ Non superare i tempi di conservazione degli alimenti consigliati dai produttori. Estrarre dal congelatore solo la quantità di alimenti necessaria.
- ▶ Consumare rapidamente gli alimenti scongelati. Gli alimenti scongelati non possono essere ricongelati, a meno che non vengano cotti.
- ▶ Non caricare troppi alimenti freschi nel vano congelatore. Fare riferimento alla capacità di congelamento del congelatore - Vedere DATI TECNICI o controllare i dati sulla targhetta.
- ▶ Gli alimenti possono essere conservati nel congelatore a una temperatura di almeno  $-18^{\circ}\text{C}$  per 2-12 mesi, a seconda delle loro proprietà (ad es. carne): 3-12 mesi, verdure: 6-12 mesi)
- ▶ Quando si congelano alimenti freschi, evitare che entrino a contatto con alimenti già congelati. In caso contrario, potrebbero scongelarsi.

### Quando si conservano alimenti surgelati, attenersi alle linee guida indicate di seguito:

Per il tempo di conservazione degli alimenti, attenersi sempre alle linee guida dei produttori. Non ignorare queste linee guida!

Ridurre il più possibile il tempo tra l'acquisto e la conservazione per preservare la qualità degli alimenti.

Acquistare alimenti congelati conservati a una temperatura di  $-18^{\circ}\text{C}$  o inferiore.

Evitare di acquistare alimenti con ghiaccio o brina sulla confezione, in quanto potrebbero essere stati parzialmente scongelati e ricongelati; l'aumento della temperatura riduce la qualità degli alimenti.

### Erogatore dell'acqua

L'erogatore dell'acqua consente il prelievo di acqua potabile fredda.

Prima di utilizzare il serbatoio dell'acqua per la prima volta, è necessario pulirlo (v. CURA E PULIZIA).

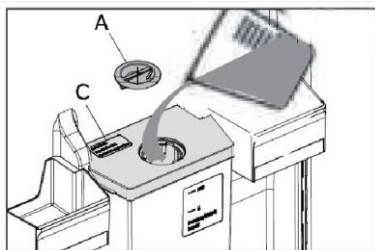
### Riempimento del serbatoio dell'acqua



#### AVVERTENZA!

► Utilizzare solo acqua potabile.

1. Accertarsi che il serbatoio dell'acqua sia inserito correttamente (v. DOTAZIONI).
2. Ruotare e sollevare il coperchio tondo (A) e versare acqua fresca potabile nel serbatoio dell'acqua (Fig. 5.10.1).
3. Riempire d'acqua il serbatoio senza superare il segno (2,5 l), altrimenti potrebbe fuoriuscire acqua quando si apre e si chiude lo sportello.
4. Chiudere il coperchio tondo (A) fino a quando non scatta in posizione.



#### AVVISO

1. L'elettrodomestico esce dalla "funzione Super Cool" dopo essere rimasto nella "funzione Super Cool" per 6 ore o dopo aver premuto il tasto "K3" quando l'icona "E" (funzione Super Cool) è accesa o spegnendolo dall'App.
2. Nello stato di Super Cool, se si regola la temperatura del comparto frigorifero, l'icona "E" (funzione Super Cool) lampeggia ad indicare che questa operazione non può essere effettuata.

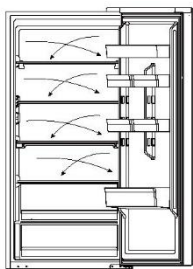


### Suggerimenti per il risparmio energetico

- ▶ Accertarsi che l'elettrodomestico sia adeguatamente ventilato (v. INSTALLAZIONE).
- ▶ Non installare l'elettrodomestico esposto alla luce diretta del sole o in prossimità di fonti di calore (ad es. stufe o radiatori).
- ▶ Evitare che la temperatura dell'elettrodomestico sia inutilmente bassa. Il consumo energetico aumenta con la diminuzione della temperatura impostata nell'elettrodomestico.
- ▶ Funzioni come SUPER FREEZE consumano più energia.
- ▶ Attendere che gli alimenti caldi si raffreddino prima di collocarli nell'elettrodomestico.
- ▶ Aprire lo sportello dell'elettrodomestico senza spalancarlo e per il più breve tempo possibile.
- ▶ Per evitare ostruzioni del flusso d'aria, non riempire eccessivamente l'elettrodomestico.
- ▶ Evitare l'ingresso di aria nelle confezioni di alimenti.
- ▶ Mantenere pulite le guarnizioni dello sportello in modo che si chiuda sempre perfettamente.
- ▶ Scongelare i cibi congelati nel comparto frigorifero oppure usare la funzione D-Frost nella My Zone Box.
- ▶ Per ottimizzare il risparmio energetico, collocare nell'elettrodomestico i cassetti, i contenitori degli alimenti e i ripiani, e riporre gli alimenti senza ostruire l'uscita dell'aria del condotto.

**i** **Avviso**

A causa dei diversi modelli, il prodotto potrebbe non essere dotato di tutte le caratteristiche riportate di seguito. Fare riferimento al capitolo relativo alla descrizione del prodotto.I.

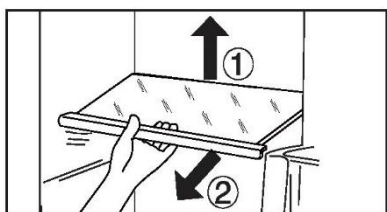


**Flusso d'aria multiplo**

Il frigorifero è dotato di un sistema con flusso d'aria multiplo, grazie al quale flussi di aria fresca investono tutti i ripiani. Ciò consente di mantenere una temperatura uniforme, perché gli alimenti si conservino freschi per un periodo più lungo.

**Ripiani regolabili**

1. L'altezza dei ripiani può essere regolata in base alle esigenze.
2. Per spostare un ripiano, rimuoverlo sollevandone il bordo posteriore ① ed estrarlo ②.
3. Per reinstallarlo, collocarlo sulle alette su entrambi i lati e spingerlo dentro fino in fondo in modo che la parte posteriore del ripiano sia fissata all'interno delle feritoie laterali



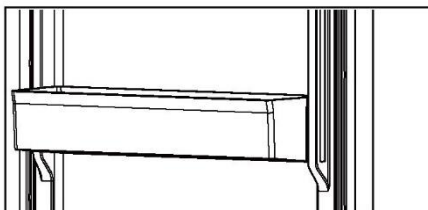
**i** **Avviso**

Accertarsi che tutte le estremità del ripiano siano a livello.

**Vassoio sporgente dello sportello rimovibile**

Il vassoio sporgente dello sportello porta può essere rimosso per la pulizia:

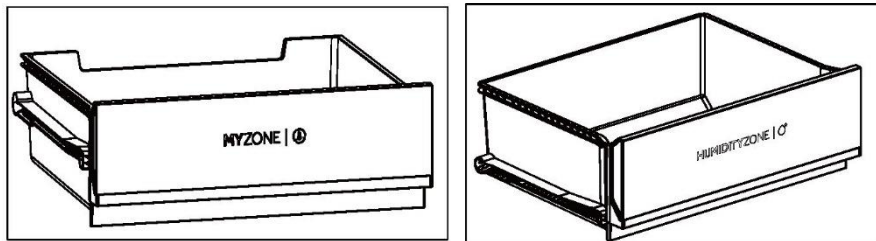
Tenere con le mani entrambi i lati del vassoio sporgente, sollevarlo (1) ed estrarlo (2). Per inserire il vassoio sporgente dello sportello, seguire la procedura inversa.





## My Zone Box

Per l'utilizzo e l'impostazione del comparto My Zone, consultare la sezione UTILIZZO (My Zone).



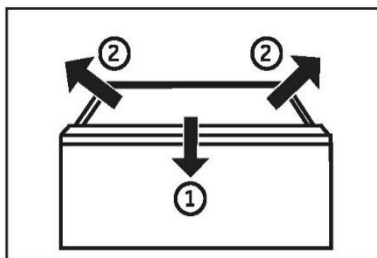
## Humidity Zone Box

In questo comparto il livello di umidità viene controllato automaticamente dal sistema ed è adatto alla conservazione di frutta, verdura, insalata ecc.

## Cassetto rimovibile

Per rimuovere il cassetto dal comparto frigorifero o congelatore, estrarlo al massimo (1), sollevarlo e toglierlo (2).

Per inserire il cassetto, seguire la procedura inversa.



## Cassetto del congelatore

Il cassetto del congelatore può essere estratto orizzontalmente in modo completo. È montato su guida telescopica easy roll in modo da poter conservare e rimuovere comodamente i prodotti congelati. Grazie al meccanismo di chiusura automatica dello sportello, i cassetti del congelatore sono facili da utilizzare e permettono di risparmiare energia.



## AVVERTENZA!

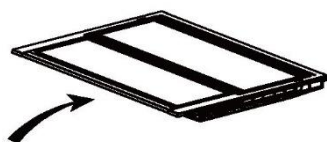
Non sovraccaricare i cassetti: Carico massimo per ciascun cassetto: 35 kg.

### Illuminazione

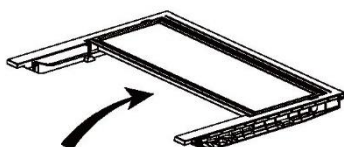
La luce interna a LED si accende quando si apre lo sportello. Le prestazioni delle luci non dipendono da altre impostazioni dell'elettrodomestico.

### Ripiani pieghevoli

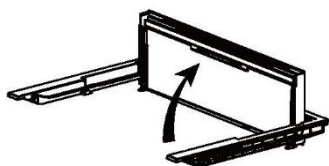
I ripiani pieghevoli consentono all'utente di posizionare bottiglie o oggetti alti sugli scaffali. I ripiani possono essere ripiegati sul retro; lo spazio disponibile del ripiano inferiore sarà maggiore. Il ripiano può essere ripiegato seguendo i passaggi 1-3. Se si desidera tornare alla posizione originale, invertire le seguenti procedure.



Passo 1: spingere lentamente la parte anteriore dello scaffale fino in fondo.



Passo 2: spingere lentamente il ripiano verso l'alto fino alla sua posizione verticale.



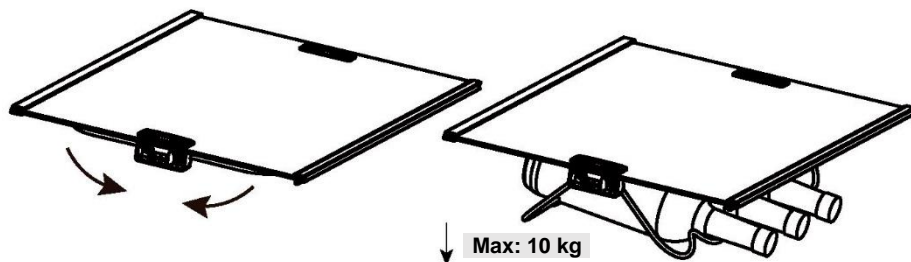
Passo 3: il ripiano è verticale. Consente di risparmiare spazio.

## Portabottiglie pieghevole

Uso normale

1. Abbassare le staffe del portabottiglie
2. Sistemare le bottiglie nella rastrelliera

Quando non viene utilizzato, il portabottiglie può essere ripiegato per risparmiare spazio.



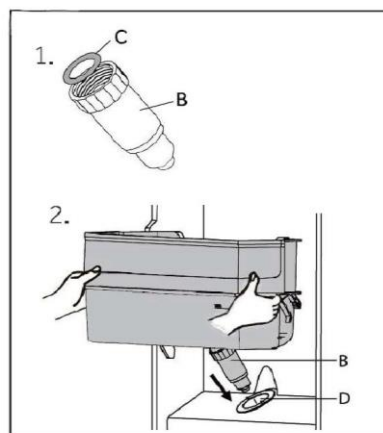
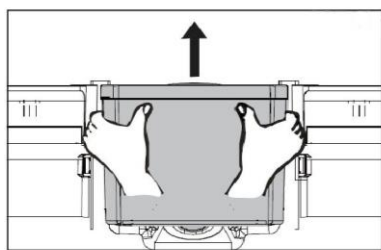
## Serbatoio dell'acqua

### Rimuovere il serbatoio dell'acqua

Il serbatoio dell'acqua può essere rimosso e reinstallato per essere pulito, così come i cassettei incassati nello sportello.

### Inserire il serbatoio dell'acqua

1. Assicurarsi che il beccuccio erogatore (B) sia saldamente avvitato al serbatoio dell'acqua e che l'O-ring bianco (C) sia in posizione.
2. Collocare il serbatoio dell'acqua in modo che il beccuccio erogatore (B) si inserisca nell'apertura dello sportello (D).



### Avviso

- ▶ Assicurarsi che il beccuccio sia saldamente avvitato al serbatoio dell'acqua e che l'O-ring bianco (C) sia in posizione.
- ▶ Se il serbatoio dell'acqua non è inserito correttamente, potrebbe gocciolare acqua dal collegamento.
- ▶ Non esercitare una forza eccessiva per rimuovere o installare il serbatoio dell'acqua, altrimenti potrebbe danneggiarsi.



### AVVERTENZA!

Prima di effettuare la pulizia, staccare la spina di alimentazione dell'elettrodomestico.

### Pulizia

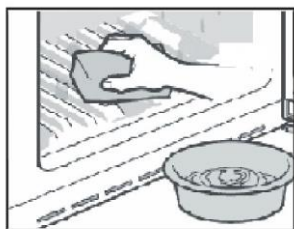
Pulire l'elettrodomestico quando è vuoto o contiene pochi alimenti.

Per una corretta manutenzione e per evitare cattivi odori degli alimenti conservati, pulire l'elettrodomestico ogni quattro settimane.



### AVVERTENZA!

- ▶ Non pulire l'elettrodomestico con spazzole rigide, spazzole metalliche, detersivi in polvere, benzina, acetato di pentile, acetone e soluzioni organiche simili, soluzioni acide o alcaline. Per la pulizia adoperare un detergente speciale per frigoriferi per evitare danni.
- ▶ Non spruzzare o schizzare liquidi sull'elettrodomestico durante la pulizia.
- ▶ Per pulire questo elettrodomestico non utilizzare apparecchi a vapore.
- ▶ Non pulire i ripiani di vetro freddi con acqua calda. Un'improvvisa variazione della temperatura può causare la rottura del vetro.
- ▶ Non toccare la superficie interna del comparto congelatore, soprattutto con le mani bagnate, poiché le mani potrebbero congelarsi sulla superficie.
- ▶ Se la temperatura aumenta, controllare lo stato degli alimenti congelati.



- ▶ Tenere sempre pulita la guarnizione dello sportello.
- ▶ Pulire l'interno e l'alloggiamento dell'elettrodomestico con una spugna imbevuta di acqua calda e detergente neutro.
- ▶ 1. Strofinare l'interno e l'esterno del frigorifero (compresi la guarnizione dello sportello, il cassetto incassato nello sportello, i ripiani di vetro, i comparti ecc.) con un panno morbido o una spugna imbevuta di acqua calda (è possibile aggiungere un detergente neutro).
- ▶ 2. In presenza di liquidi versati, rimuovere tutte le parti contaminate, sciacquarle sotto l'acqua corrente, asciugarle e ricollocarle nel frigorifero.
- ▶ 3. In caso di versamenti di alimenti cremosi (ad es. panna o gelato sciolto), rimuovere tutte le parti contaminate, lasciarle un po' di tempo in acqua calda a circa 40 °C, poi sciacquarle sotto l'acqua corrente, asciugarle e ricollocarle nel frigorifero.
- ▶ 4. Nel caso in cui rimangano intrappolati piccoli oggetti all'interno del frigorifero (tra i ripiani o i cassetti), toglierli con una spazzolina morbida. Se non si riesce a raggiungere l'oggetto, rivolgersi all'assistenza Haier
- ▶ Sciacquare e asciugare con un panno morbido.
- ▶ Non lavare i componenti dell'elettrodomestico in lavastoviglie.

- ▶ Attendere almeno 5 minuti prima di riavviare l'elettrodomestico, poiché un avvio frequente può danneggiare il compressore.

#### Sbrinamento

Lo sbrinamento dei vani frigorifero e congelatore avviene automaticamente e non richiede operazioni manuali.

#### Sostituzione delle lampade a LED



### AVVERTENZA!

La lampada a LED deve essere sostituita solo dal produttore o da un tecnico dell'assistenza autorizzato.

IT

La lampada utilizza una sorgente luminosa a LED che riduce i consumi energetici e garantisce una lunga durata. In caso di anomalie, rivolgersi all'assistenza clienti. V. ASSISTENZA CLIENTI.

Parametri delle lampade:

| Parte                    | Lampada a LED |
|--------------------------|---------------|
| Tensione in V            | 12 V          |
| Potenza massima W        | 1,5 W         |
| Specifiche LED           | Bianco-2835   |
| Classe di efficienza LED | G             |
| Temperatura di utilizzo  | -40~80°C      |

### Inutilizzo per lunghi periodi

Se l'elettrodomestico non verrà adoperato per lunghi periodi e non verrà utilizzata solo la funzione Holiday per il frigorifero:

Estrarre gli alimenti.

Scollegare il cavo di alimentazione.

Pulire l'elettrodomestico come descritto in precedenza.

Lasciare aperti gli sportelli per evitare la produzione di cattivi odori all'interno.



### Avviso

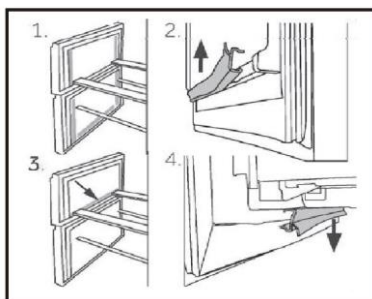
Spegnere l'elettrodomestico solo se è strettamente necessario.

### Guarnizioni ausiliarie dello sportello rimovibili

Vi sono sei guarnizioni ausiliarie dello sportello sui cassetti superiore e inferiore del congelatore.

1. Individuare le cinque guarnizioni dello sportello indicate sui cassetti superiore e inferiore del congelatore.
2. Assicurarci che le fette piegate delle guarnizioni siano rivolte verso l'interno durante il fissaggio.
3. Individuare la guarnizione inferiore del cassetto superiore come indicato.
4. Assicurarci che la fetta piegata di questa guarnizione sia rivolta verso il basso durante il fissaggio.

È possibile procurarsi queste guarnizioni e le guarnizioni dello sportello/cassetto girevole tramite il servizio clienti (v. scheda della garanzia).



### Spostamento dell'elettrodomestico

1. Togliere tutti gli alimenti e staccare la spina dell'elettrodomestico.
2. Fissare con nastro adesivo i ripiani e gli altri componenti mobili presenti nel frigorifero e nel congelatore.
3. Non inclinare il frigorifero oltre 45°, altrimenti il sistema di refrigerazione potrebbe danneggiarsi.

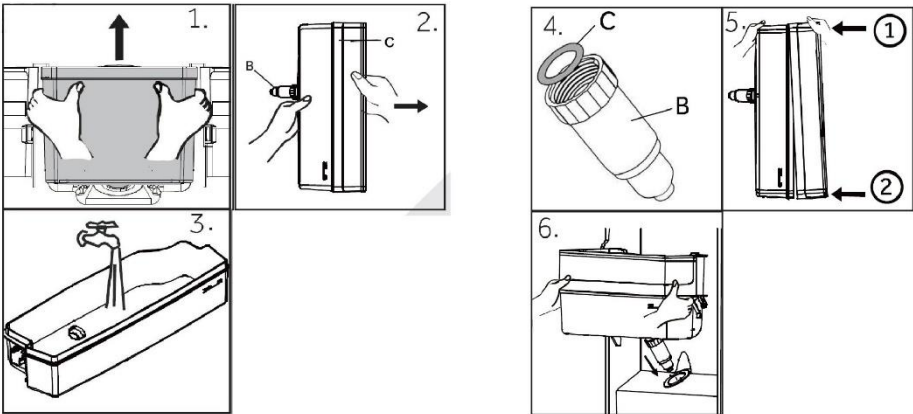


#### AVVERTENZA!

- ▶ Non sollevare l'elettrodomestico mantenendolo per le maniglie dello sportello.
- ▶ Non collocare mai l'elettrodomestico orizzontalmente a terra.

## Pulizia del serbatoio dell'acqua

1. Estrarre il serbatoio dell'acqua dall'elettrodomestico.
2. Togliere il coperchio (C) e svitare delicatamente il beccuccio erogatore (B).
3. Pulire il serbatoio dell'acqua e il beccuccio erogatore con acqua calda corrente e detersivo liquido per piatti. Risciacquare accuratamente per eliminare tutto il sapone.
4. Montare il beccuccio erogatore (B) e fare attenzione che sia ben avvitato al serbatoio dell'acqua e che l'O-ring bianco (C) sia in posizione.
5. Premere il coperchio per farlo aderire ai due lati del serbatoio dell'acqua, quindi controllare che coperchio e serbatoio combacino perfettamente.
6. Collocare nuovamente il serbatoio nell'elettrodomestico. Assicurarsi che il beccuccio erogatore sia inserito correttamente nel foro dello sportello.



### Avviso

- Se il serbatoio dell'acqua non è inserito correttamente, potrebbe gocciolare acqua dal collegamento.
- Non esercitare una forza eccessiva per rimuovere o installare il serbatoio dell'acqua, altrimenti potrebbe danneggiarsi.

Molti problemi possono essere risolti personalmente senza particolari competenze. In caso di problemi, consultare tutte le soluzioni possibili indicate e attenersi alle seguenti istruzioni prima di contattare l'assistenza post-vendita. V. ASSISTENZA CLIENTI.



### AVVERTENZA!

- ▶ Prima di effettuare la manutenzione dell'elettrodomestico, spegnerlo e staccare la spina dalla presa di corrente.
- ▶ La manutenzione delle apparecchiature elettriche deve essere effettuata solo da elettricisti qualificati, dal momento che eventuali riparazioni improprie possono causare danni notevoli.
- ▶ Se il cavo di alimentazione è danneggiato, deve essere sostituito unicamente dal produttore, da un tecnico dell'assistenza o da una persona con analogo qualifica per evitare rischi.

### Tabella per la risoluzione dei problemi

| Problema                                                                          | Causa possibile                                                                                | Soluzione possibile                                                                                                                                                                  |
|-----------------------------------------------------------------------------------|------------------------------------------------------------------------------------------------|--------------------------------------------------------------------------------------------------------------------------------------------------------------------------------------|
| Il compressore non funziona.                                                      | La spina non è collegata alla presa di corrente.                                               | Collegare la spina alla presa di corrente.                                                                                                                                           |
|                                                                                   | L'elettrodomestico sta effettuando il ciclo di sbrinamento.                                    | Ciò è normale per lo sbrinamento automatico.                                                                                                                                         |
| L'elettrodomestico si aziona frequentemente per un periodo di tempo troppo lungo. | La temperatura interna o esterna è troppo elevata.                                             | In questo caso è normale che l'elettrodomestico rimanga in funzione più a lungo.                                                                                                     |
|                                                                                   | L'elettrodomestico è rimasto spento per un certo periodo di tempo.                             | Il raffreddamento completo dell'elettrodomestico normalmente richiede 8-12 ore.                                                                                                      |
|                                                                                   | Uno sportello o un cassetto dell'elettrodomestico non è chiuso bene.                           | Chiudere lo sportello o il cassetto e accertarsi che l'elettrodomestico sia a livello e che gli alimenti o i contenitori non urtino lo sportello.                                    |
|                                                                                   | Lo sportello o il cassetto è stato aperto troppo spesso o troppo a lungo.                      | Non aprire lo sportello o il cassetto troppo spesso.                                                                                                                                 |
|                                                                                   | L'impostazione della temperatura del comparto congelatore è troppo bassa.                      | Scegliere un'impostazione della temperatura più alta fino a quando la temperatura del frigorifero è soddisfacente. Per stabilizzare la temperatura del frigorifero occorrono 24 ore. |
|                                                                                   | Le guarnizioni dello sportello o del cassetto sono sporche, usurate, danneggiate o inadeguate. | Pulire la guarnizione dello sportello o del cassetto o farla sostituire dall'assistenza clienti.                                                                                     |
|                                                                                   | Non è garantita la circolazione dell'aria necessaria.                                          | Garantire un'adeguata ventilazione.                                                                                                                                                  |



| Problema                                                                                        | Causa possibile                                                            | Soluzione possibile                                                                      |
|-------------------------------------------------------------------------------------------------|----------------------------------------------------------------------------|------------------------------------------------------------------------------------------|
| L'interno del frigorifero è sporco e/o si sentono cattivi odori.                                | L'interno del frigorifero deve essere pulito.                              | Pulire la parte interna del frigorifero.                                                 |
|                                                                                                 | In frigorifero vengono conservati alimenti che producono un odore intenso. | Avvolgere completamente gli alimenti.                                                    |
| La temperatura nell'elettrodomestico non è sufficientemente bassa.                              | La temperatura impostata è troppo alta.                                    | Reimpostare la temperatura                                                               |
|                                                                                                 | Sono stati conservati cibi troppo caldi.                                   | Gli alimenti devono essere sempre raffreddati prima di conservarli.                      |
|                                                                                                 | Sono stati collocati troppi alimenti contemporaneamente.                   | Non conservare troppi alimenti.                                                          |
|                                                                                                 | Gli alimenti sono troppo vicini tra loro.                                  | Lasciare spazio tra i vari alimenti per consentire il passaggio del flusso d'aria.       |
|                                                                                                 | Uno sportello o un cassetto dell'elettrodomestico non è chiuso bene.       | Chiudere lo sportello o il cassetto.                                                     |
|                                                                                                 | Lo sportello o il cassetto è stato aperto troppo spesso o troppo a lungo.  | Non aprire lo sportello o il cassetto troppo spesso.                                     |
| La temperatura nell'elettrodomestico è troppo bassa.                                            | La temperatura impostata è troppo bassa.                                   | Reimpostare la temperatura.                                                              |
|                                                                                                 | La funzione Super Freeze rimane in funzione troppo a lungo.                | Disattivare la funzione Super Freeze.                                                    |
| Formazione di umidità all'interno del comparto frigorifero.                                     | Il clima è troppo caldo e troppo umido.                                    | Aumentare la temperatura.                                                                |
|                                                                                                 | Uno sportello o un cassetto dell'elettrodomestico non è chiuso bene.       | Chiudere lo sportello o il cassetto.                                                     |
|                                                                                                 | Lo sportello o il cassetto è stato aperto troppo spesso o troppo a lungo.  | Non aprire lo sportello o il cassetto troppo spesso.                                     |
|                                                                                                 | Contenitori per alimenti o liquidi rimasti aperti.                         | Lasciare raffreddare gli alimenti caldi a temperatura ambiente e coprire cibi e liquidi. |
| Accumulo di umidità sul frigorifero sulla superficie esterna o tra gli sportelli e il cassetto. | Il clima è troppo caldo e troppo umido.                                    | Ciò è normale in un clima umido; la situazione cambia quando l'umidità diminuisce.       |
|                                                                                                 | Lo sportello o il cassetto non è chiuso perfettamente.                     | Accertarsi che lo sportello o il cassetto sia chiuso bene.                               |

## Soluzione dei problemi

| Problema                                                             | Causa possibile                                                                                | Soluzione possibile                                                                                                                            |
|----------------------------------------------------------------------|------------------------------------------------------------------------------------------------|------------------------------------------------------------------------------------------------------------------------------------------------|
| Presenza di molto ghiaccio e brina nel vano congelatore.             | Gli alimenti non sono stati confezionati adeguatamente.                                        | Confezionare sempre gli alimenti.                                                                                                              |
|                                                                      | Uno sportello o un cassetto dell'elettrodomestico non è chiuso bene.                           | Chiudere lo sportello o il cassetto.                                                                                                           |
|                                                                      | Lo sportello o il cassetto è stato aperto troppo spesso o troppo a lungo.                      | Non aprire lo sportello o il cassetto troppo spesso.                                                                                           |
|                                                                      | Le guarnizioni dello sportello o del cassetto sono sporche, usurate, danneggiate o inadeguate. | Pulire la guarnizione dello sportello o del cassetto oppure sostituirla.                                                                       |
|                                                                      | Qualcosa all'interno impedisce la chiusura corretta dello sportello o del cassetto.            | Risistemare i ripiani, i cassetti incassati nello sportello o i contenitori interni per consentire la chiusura dello sportello o del cassetto. |
| L'elettrodomestico emette suoni anomali.                             | L'elettrodomestico non è a livello.                                                            | Regolare i piedini per collocare l'elettrodomestico a livello.                                                                                 |
|                                                                      | L'elettrodomestico urta qualche oggetto vicino.                                                | Rimuovere gli oggetti attorno all'elettrodomestico.                                                                                            |
| Si sente un lieve rumore, simile a quello dell'acqua che scorre.     | È normale.                                                                                     | /                                                                                                                                              |
| Viene emesso un allarme acustico.                                    | Lo sportello del vano frigorifero è aperto.                                                    | Chiudere lo sportello o tacitare manualmente l'allarme.                                                                                        |
| Viene emesso un lieve sibilo.                                        | È in funzione il sistema anticondensa.                                                         | Ciò evita la formazione di condensa ed è normale.                                                                                              |
| L'illuminazione interna o il sistema di raffreddamento non funziona. | La spina non è collegata alla presa di corrente.                                               | Collegare la spina alla presa di corrente.                                                                                                     |
|                                                                      | Problema della fonte di alimentazione.                                                         | Controllare l'alimentazione elettrica. Chiamare l'azienda elettrica locale.                                                                    |
|                                                                      | La lampada a LED è fuori uso.                                                                  | Chiamare l'assistenza per la sostituzione.                                                                                                     |
| I lati del vano e la striscia dello sportello si riscaldano.         | È normale.                                                                                     | /                                                                                                                                              |
| Non esce acqua dal beccuccio erogatore                               | Il blocco non è disattivato.                                                                   | Disattivare il blocco.                                                                                                                         |

### Interruzione della corrente

- ▶ In caso di interruzione della corrente, gli alimenti dovrebbero rimanere freddi in maniera sicura per circa 13 ore. Durante un'interruzione prolungata della corrente, soprattutto in estate, attenersi ai suggerimenti che seguono.
- ▶ Limitare al massimo l'apertura dello sportello o del cassetto.
- ▶ In caso di interruzione della corrente, non collocare altri alimenti nell'elettrodomestico.
- ▶ Se viene fornito un preavviso di interruzione della corrente di durata superiore a 13 ore, produrre dei cubetti di ghiaccio e collocarli in un contenitore nello scaffale superiore del comparto frigorifero.
- ▶ Dopo l'interruzione della corrente, è indispensabile controllare immediatamente gli alimenti.
- ▶ Siccome la temperatura nel frigorifero aumenta durante un'interruzione della corrente o in caso di altri guasti, il periodo di conservazione e la commestibilità degli alimenti si riducono. Per evitare rischi per la salute, gli alimenti che si scongelano devono essere immediatamente consumati oppure cotti e ricongelati (se possibile).



#### Avviso

##### Funzione di memoria durante un'interruzione di corrente

Al ripristino della corrente, l'elettrodomestico riprende il funzionamento in base alle impostazioni precedenti.

Per rivolgersi all'assistenza tecnica, visitare il nostro sito web:

<https://corporate.haier-europe.com/en/>

Nella sezione "sito web", scegliere la marca del proprio prodotto e il proprio paese. Si aprirà il sito Web specifico contenente il numero di telefono e altre modalità per contattare l'assistenza tecnica.

## Disimballo



### AVVERTENZA!

- ▶ L'elettrodomestico è pesante. Per spostarlo occorrono almeno due persone.
- ▶ Tenere fuori dalla portata dei bambini tutti i materiali di imballaggio e smaltirli nel rispetto dell'ambiente.
- ▶ Estrarre l'elettrodomestico dall'imballo.
- ▶ Togliere tutti i materiali di imballo.

## Condizioni ambientali

La temperatura ambiente deve essere sempre compresa tra 10 e 43 °C, poiché può influire sulla temperatura interna dell'elettrodomestico e sui consumi energetici.

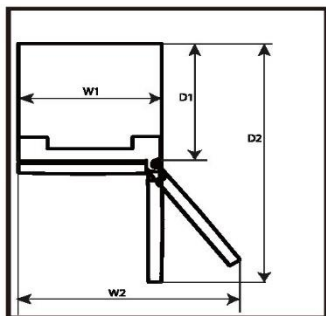
Non installare l'elettrodomestico vicino ad altri elettrodomestici che emettono calore (forni, frigoriferi) senza isolamento.

## Reversibilità dello sportello

Prima di installare definitivamente l'elettrodomestico, controllare la corretta posizione della cerniera dello sportello. Se necessario, vedere la sezione REVERSIBILITÀ DELLO SPORTELLLO.

## Spazio necessario

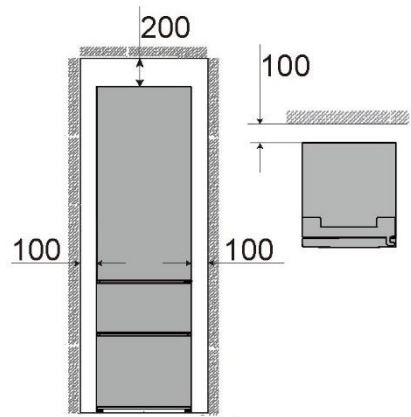
Spazio minimo quando lo sportello è aperto:



| Larghezza elettrodomestico in mm |     | Profondità elettrodomestico in mm |      |
|----------------------------------|-----|-----------------------------------|------|
| W1                               | W2  | D1                                | D2   |
| 595                              | 918 | 600                               | 1220 |

### Sezione di ventilazione

Per ottenere una ventilazione sufficiente dell'elettrodomestico per motivi di sicurezza, attenersi alle indicazioni sulle sezioni di ventilazione.



### Reversibilità dello sportello

Prima di collegare l'elettrodomestico all'alimentazione elettrica, controllare se l'apertura dello sportello deve essere invertita da destra (come consegnato) verso sinistra per facilitare l'uso.



### AVVERTENZA!

- ▶ L'elettrodomestico è pesante. Per invertire lo sportello occorrono due persone.
- ▶ Prima di qualunque operazione, scollegare l'elettrodomestico dalla rete elettrica.
- ▶ Non inclinare l'elettrodomestico oltre 45° C per evitare danni al sistema di raffreddamento.

### Fasi di montaggio

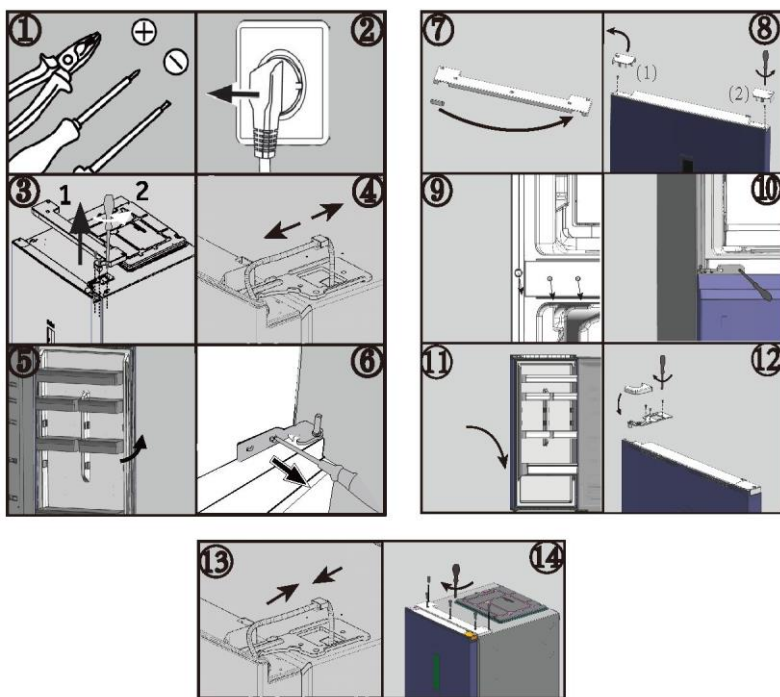
1. Procurarsi gli utensili necessari.
2. Staccare la spina dell'elettrodomestico.
3. Rimuovere il coperchio della cerniera superiore (1) e svitare la cerniera superiore (tre viti) sul lato destro (2).
4. Staccare il cavo di collegamento.
5. Sollevare con cautela lo sportello del frigorifero dalla cerniera inferiore.
6. Rimuovere la cerniera inferiore dello sportello superiore.
7. Rimuovere il piccolo coperchio del pannello frontale da sinistra a destra.
8. Capovolgere lo sportello e svitare il coperchio (1). Estrarre il nuovo coperchio (2) dal sacchetto degli accessori e avvitarlo sul lato opposto.
9. Modificare le posizioni dei tappi ciechi e della vite laterale.
10. Avvitare la cerniera inferiore sul lato sinistro dell'elettrodomestico.
11. Sollevare con cautela lo sportello superiore sulla cerniera inferiore. Assicurarsi che il perno si inserisca nel cilindro della cerniera dello sportello inferiore.

12. Estrarre la nuova cerniera superiore e il relativo coperchio dal sacchetto degli accessori. Far passare il cavo di collegamento attraverso la cerniera superiore e fissare quest'ultima con le tre viti sul lato sinistro dell'elettrodomestico. Posizionare il coperchio della cerniera sopra la cerniera.

13. Inserire il cavo di collegamento.

14. Sostituire il pannello frontale e fissarlo con cinque viti.

Dopo la sostituzione dello sportello, verificare che le relative guarnizioni siano posizionate correttamente sull'alloggiamento e che tutte le viti siano ben serrate.



### Temperature ambiente

Temperata estesa: questo elettrodomestico è destinato all'uso con temperature ambiente comprese tra 10 °C e 32 °C;

Temperata: questo elettrodomestico è destinato all'uso con temperature ambiente comprese tra 16 °C e 32 °C;

Subtropicale: questo elettrodomestico è destinato all'uso con temperature ambiente comprese tra 16 °C e 38 °C;

Tropicale: questo elettrodomestico è destinato all'uso con temperature ambiente comprese tra 16 °C e 43 °C.

## Specifiche del prodotto secondo il regolamento UE n. 2019/2016

Sulla base dei risultati di test standard per 24 ore. Il consumo energetico effettivo dipende dalla modalità di utilizzo dell'elettrodomestico e dalla sua collocazione

|                                                                                                                     |                         |                         |                         |
|---------------------------------------------------------------------------------------------------------------------|-------------------------|-------------------------|-------------------------|
| Marchio di fabbrica                                                                                                 | Haier                   | Haier                   | Haier                   |
| Identificativo del modello                                                                                          | HTW5618DN*              | HTW5620DN*              | HTW5618DW*              |
| Categoria del modello                                                                                               | Frigorifero-congelatore | Frigorifero-congelatore | Frigorifero-congelatore |
| Classe di efficienza energetica                                                                                     | D                       | D                       | D                       |
| Consumo energetico annuo (kWh/anno)                                                                                 | 217                     | 226                     | 216                     |
| Volume frigorifero (litri)                                                                                          | 201                     | 255                     | 198                     |
| Volume di congelamento (litri)                                                                                      | 125                     | 125                     | 125                     |
| Volume My Zone (L)                                                                                                  | 34                      | 34                      | 34                      |
| Prestazioni (stelle)                                                                                                | 4                       | 4                       | 4                       |
| Sistema senza formazione di brina                                                                                   | Sì                      | Sì                      | Sì                      |
| Sicurezza contro le interruzioni di corrente (h)/Tempo di aumento della temperatura (h)                             | 13                      | 13                      | 13                      |
| Capacità di congelamento (kg/24 h)                                                                                  | 10                      | 10                      | 10                      |
| Classe climatica<br>Questo elettrodomestico è destinato all'uso con temperature ambiente comprese tra 10 °C e 43 °C | SN/N/ST/T               | SN/N/ST/T               | SN/N/ST/T               |
| Classe di emissione di rumore ed emissioni acustiche aeree (dB(A) re 1pW)                                           | 35                      | 35                      | 35                      |

## Dati tecnici

|                                                                                                                     |                         |                         |
|---------------------------------------------------------------------------------------------------------------------|-------------------------|-------------------------|
| Marchio di fabbrica                                                                                                 | Haier                   | Haier                   |
| Identificativo del modello                                                                                          | HTW5618CN*              | HTW5620CN*              |
| Categoria del modello                                                                                               | Frigorifero-congelatore | Frigorifero-congelatore |
| Classe di efficienza energetica                                                                                     | C                       | C                       |
| Consumo energetico annuo (kWh/anno)                                                                                 | 173                     | 181                     |
| Volume frigorifero (litri)                                                                                          | 201                     | 255                     |
| Volume di congelamento (litri)                                                                                      | 125                     | 125                     |
| Volume My Zone (L)                                                                                                  | 34                      | 34                      |
| Prestazioni (stelle)                                                                                                | 4                       | 4                       |
| Sistema senza formazione di brina                                                                                   | Si                      | Si                      |
| Sicurezza contro le interruzioni di corrente (h)/Tempo di aumento della temperatura (h)                             | 13                      | 13                      |
| Capacità di congelamento (kg/24 h)                                                                                  | 10                      | 10                      |
| Classe climatica<br>Questo elettrodomestico è destinato all'uso con temperature ambiente comprese tra 10 °C e 43 °C | SN/N/ST/T               | SN/N/ST/T               |
| Classe di emissione di rumore ed emissioni acustiche aeree (dB(A) re 1pW)                                           | 35                      | 35                      |



## Specifiche del prodotto secondo il regolamento UE n. 2019/2016

Sulla base dei risultati di test standard per 24 ore. Il consumo energetico effettivo dipende dalla modalità di utilizzo dell'elettrodomestico e dalla sua collocazione

|                                                                                                                     |                         |                         |                         |
|---------------------------------------------------------------------------------------------------------------------|-------------------------|-------------------------|-------------------------|
| Marchio di fabbrica                                                                                                 | Haier                   | Haier                   | Haier                   |
| Identificativo del modello                                                                                          | HDPW5618DN*             | HDPW5620DN*             | HDPW5618DW*             |
| Categoria del modello                                                                                               | Frigorifero-congelatore | Frigorifero-congelatore | Frigorifero-congelatore |
| Classe di efficienza energetica                                                                                     | D                       | D                       | D                       |
| Consumo energetico annuo (kWh/anno)                                                                                 | 214                     | 220                     | 214                     |
| Volume frigorifero (litri)                                                                                          | 201                     | 255                     | 198                     |
| Volume di congelamento (litri)                                                                                      | 117                     | 117                     | 117                     |
| Volume My Zone (L)                                                                                                  | 34                      | 34                      | 34                      |
| Prestazioni (stelle)                                                                                                | 4                       | 4                       | 4                       |
| Sistema senza formazione di brina                                                                                   | Si                      | Si                      | Si                      |
| Sicurezza contro le interruzioni di corrente (h)/Tempo di aumento della temperatura (h)                             | 13                      | 13                      | 13                      |
| Capacità di congelamento (kg/24 h)                                                                                  | 10                      | 10                      | 10                      |
| Classe climatica<br>Questo elettrodomestico è destinato all'uso con temperature ambiente comprese tra 10 °C e 43 °C | SN/N/ST/T               | SN/N/ST/T               | SN/N/ST/T               |
| Classe di emissione di rumore ed emissioni acustiche aeree (dB(A) re 1pW)                                           | 35                      | 35                      | 35                      |

|                                                                                                                     |                         |                         |                         |
|---------------------------------------------------------------------------------------------------------------------|-------------------------|-------------------------|-------------------------|
| Marchio di fabbrica                                                                                                 | Haier                   | Haier                   | Haier                   |
| Identificativo del modello                                                                                          | HDPW5618CN*             | HDPW5620CN*             | HDPW5620AN*             |
| Categoria del modello                                                                                               | Frigorifero-congelatore | Frigorifero-congelatore | Frigorifero-congelatore |
| Classe di efficienza energetica                                                                                     | C                       | C                       | A                       |
| Consumo energetico annuo (kWh/anno)                                                                                 | 171                     | 176                     | 114                     |
| Volume frigorifero (litri)                                                                                          | 201                     | 255                     | 255                     |
| Volume di congelamento (litri)                                                                                      | 117                     | 117                     | 120                     |
| Volume My Zone (L)                                                                                                  | 34                      | 34                      | 34                      |
| Prestazioni (stelle)                                                                                                | 4                       | 4                       | 4                       |
| Sistema senza formazione di brina                                                                                   | Sì                      | Sì                      | Sì                      |
| Sicurezza contro le interruzioni di corrente (h)/Tempo di aumento della temperatura (h)                             | 13                      | 13                      | 16                      |
| Capacità di congelamento (kg/24 h)                                                                                  | 10                      | 10                      | 10                      |
| Classe climatica<br>Questo elettrodomestico è destinato all'uso con temperature ambiente comprese tra 10 °C e 43 °C | SN/N/ST/T               | SN/N/ST/T               | SN/N/ST/T               |
| Classe di emissione di rumore ed emissioni acustiche aeree (dB(A) re 1pW)                                           | 35                      | 35                      | 35                      |

Dati tecnici supplementari

|                            |                                            |               |               |               |
|----------------------------|--------------------------------------------|---------------|---------------|---------------|
| Identificativo del modello | HTW5618D*                                  | HTW5620DN*    | HTW5618CN*    | HTW5620CN*    |
| Volume totale (litri)      | 360<br>(357 per HTW5618DWMG (Regno Unito)) | 414           | 360           | 414           |
| Tensione/Frequenza         | 220~240V/50Hz                              | 220~240V/50Hz | 220~240V/50Hz | 220~240V/50Hz |
| Corrente di ingresso (A)   | 1.4A                                       | 1.4A          | 1.4A          | 1.4A          |
| Fusibile principale (A)    | 16A                                        | 16A           | 15A           | 15A           |
| Refrigerante / Quantità    | R600a/53g                                  | R600a/53g     | R600a/50g     | R600a/50g     |
| Dimensioni (L/P/A in mm)   | 595*667*1850                               | 595*667*2050  | 595*667*1850  | 595*667*2050  |

|                            |              |              |              |
|----------------------------|--------------|--------------|--------------|
| Identificativo del modello | HDPW5618D*   | HDPW5618DW*  | HDPW5620DN*  |
| Volume totale (litri)      | 352          | 349          | 406          |
| Tensione/Frequenza         | 220~240/50Hz | 220~240/50Hz | 220~240/50Hz |
| Corrente di ingresso (A)   | 1.4A         | 1.4A         | 1.4A         |
| Fusibile principale (A)    | 16A          | 16A          | 16A          |
| Refrigerante / Quantità    | R600a/53g    | R600a/53g    | R600a/53g    |
| Dimensioni (L/P/A in mm)   | 595*667*1850 | 595*667*1850 | 595*667*2050 |

| Identificativo del modello | HDPW5618CN*  | HDPW5620CN*  | HDPW5620AN*  |
|----------------------------|--------------|--------------|--------------|
| Volume totale (litri)      | 352          | 406          | 409          |
| Tensione/<br>Frequenza     | 220~240/50Hz | 220~240/50Hz | 220~240/50Hz |
| Corrente di ingresso (A)   | 1.4A         | 1.4A         | 1.4A         |
| Fusibile principale (A)    | 15A          | 15A          | 15A          |
| Refrigerante /<br>Quantità | R600a/50g    | R600a/50g    | R600a/50g    |
| Dimensioni (L/P/A in mm)   | 595*667*1850 | 595*667*2050 | 595*667*2050 |

### Norme e direttive

Questo prodotto è conforme ai requisiti di tutte le direttive CE vigenti con le corrispondenti norme armonizzate che prevedono il marchio CE.

Si consiglia di rivolgersi all'Assistenza Clienti Haier e di utilizzare ricambi originali.  
In caso di problemi con l'elettrodomestico, consultare prima la sezione SOLUZIONE DEI PROBLEMI.

Se non si riesce a trovare una soluzione, contattare

- ▶ il rivenditore locale o
- ▶ lo European Call Service-Center (vedere i numeri di telefono elencati di seguito) o
- ▶ l'area Service & Support su [www.haier.com](http://www.haier.com) dove è possibile chiedere assistenza
- ▶ e trovare risposte a domande frequenti.

Per contattare l'assistenza, procurarsi i dati seguenti.

Le informazioni si trovano sulla targhetta.

Modello \_\_\_\_\_

N. di serie \_\_\_\_\_

Controllare anche la scheda di garanzia fornita con il prodotto.

| European Call Service-Center |                    |                                                                                                                             |
|------------------------------|--------------------|-----------------------------------------------------------------------------------------------------------------------------|
| Paese*                       | Numero di telefono | Costi                                                                                                                       |
| Haier Italy (IT)             | 199 100 912        |                                                                                                                             |
| Haier Spain (ES)             | 902 509 123        |                                                                                                                             |
| Haier Germany (DE)           | 0180 5 39 39 99    | <ul style="list-style-type: none"> <li>• 14 cent/min su linea fissa</li> <li>• max 42 cent/min su linea mobile</li> </ul>   |
| Haier Austria (AT)           | 0820 001 205       | <ul style="list-style-type: none"> <li>• 14,53 cent/min su linea fissa</li> <li>• max 20 cent/min su altre linee</li> </ul> |
| Haier United Kingdom (UK)    | 0333 003 8122      |                                                                                                                             |
| Haier France (FR)            | 0980 406 409       |                                                                                                                             |

\* Per altri paesi, fare riferimento al sito [www.haier.com](http://www.haier.com)

Haier Europe Trading S.r.l

Filiale Regno Unito

Westgate House, Westgate, Ealing

London, W5 1YY

\*Durata della garanzia dell'elettrodomestico:

Garanzia minima: 2 anni per i paesi UE, 3 anni per la Turchia, 1 anno per il Regno Unito, 1 anno per la Russia, 3 anni per la Svezia, 2 anni per la Serbia, 5 anni per la Norvegia, 1 anno per il Marocco, 6 mesi per l'Algeria; per la Tunisia non è obbligatoria alcuna garanzia legale.

\*Periodo di disponibilità dei pezzi di ricambio per la riparazione dell'elettrodomestico:

termostati, sensori di temperatura, circuiti stampati e lampade rimangono disponibili per almeno sette anni dopo l'immissione sul mercato dell'ultima unità del modello.

Maniglie e cerniere degli sportelli, vassoi e cestelli rimangono disponibili per almeno di sette anni e le guarnizioni degli sportelli per almeno 10 anni dopo l'immissione sul mercato dell'ultima unità del modello.

\*Per ulteriori informazioni sul prodotto, consultare <https://eprel.ec.europa.eu/> o effettuare una scansione del codice QR apposto sull'etichetta fornita con l'elettrodomestico.



---

|                                 |     |
|---------------------------------|-----|
| Veiligheidsinformatie .....     | 495 |
| Beoogd gebruik .....            | 501 |
| Productbeschrijving .....       | 502 |
| Bedieningspaneel .....          | 508 |
| Gebruik.....                    | 509 |
| Gebruik wifi .....              | 514 |
| Gebruik.....                    | 515 |
| Tips voor energiebesparing..... | 518 |
| Apparatuur.....                 | 519 |
| Onderhoud en reiniging .....    | 523 |
| Problemen oplossen.....         | 527 |
| Installatie .....               | 531 |
| Technische gegevens .....       | 534 |
| Klantenservice .....            | 540 |

---

**Bedankt voor de aankoop van dit Haier-product.**

Lees deze instructies zorgvuldig door voordat u dit apparaat gebruikt. De instructies bevatten belangrijke informatie die u helpt om het apparaat beter te begrijpen en die een veilige en correcte installatie, gebruik en onderhoud waarborgt.

Bewaar deze handleiding op een handige plek zodat u hem altijd kunt raadplegen voor een veilig en correct gebruik van het apparaat.

Als u het apparaat verkoopt, weggeeft of achterlaat wanneer u verhuist, zorg er dan voor dat u deze handleiding ook overdraagt, zodat de nieuwe eigenaar het apparaat en de veiligheidswaarschuwingen kan leren kennen met behulp van de handleiding.





## **WAARSCHUWING – Belangrijke veiligheidsinformatie**



## **LET OP – Algemene informatie en tips**



## **Milieu-informatie**

NL



### **Verwijdering**

Help het milieu en de menselijke gezondheid te beschermen. Doe de verpakking in de daarvoor bestemde containers om deze te recyclen. Help het afval van elektrische en elektronische apparaten te recyclen. Gooi apparaten met dit symbool niet weg bij het huisvuil. Lever het product in bij uw plaatselijke recyclingfaciliteit of neem contact op met uw gemeentekantoor.



## **WAARSCHUWING!**

Gevaar voor letsel of verstikking!

Koelmiddelen en gassen moeten professioneel worden verwijderd. Controleer of de leidingen van het koelmiddelcircuit niet zijn beschadigd voordat ze op de juiste manier worden afgevoerd. Koppel het apparaat los van de stroomvoorziening. Knip het netsnoer af en gooi het weg. Verwijder de bakken en laden en de deurvergrendeling en -afdichtingen, om te voorkomen dat kinderen en huisdieren in het apparaat worden opgesloten.

## Lees voordat u het apparaat voor het eerst inschakelt de volgende veiligheidstips:



### WAARSCHUWING!

#### Vóór het eerste gebruik

- ▶ Controleer of er geen transportschade is.
- ▶ Verwijder alle verpakkingsmaterialen en houd ze buiten het bereik van kinderen.
- ▶ Wacht ten minste twee uur voordat u het apparaat installeert, om er zeker van te zijn dat het koelmiddelcircuit volledig werkt.
- ▶ Verplaats het apparaat altijd met ten minste twee personen, het is namelijk zwaar.

#### Installatie

- ▶ Het apparaat moet op een goed geventileerde plaats worden geplaatst. Zorg voor een ruimte van ten minste 10 cm boven en rond het apparaat.
- ▶ Plaats het apparaat nooit in een vochtige ruimte of op een plaats waar het met water kan worden bespat. Reinig en droog waterspatten en vlekken met een zachte, schone doek.
- ▶ Installeer het apparaat niet in direct zonlicht of in de buurt van warmtebronnen (bijv. kachels, verwarmingstoestellen).
- ▶ Installeer het apparaat waterpas op een plaats die geschikt is voor de grootte en het gebruik ervan.
- ▶ Zorg ervoor dat de ventilatieopeningen in het apparaat of in de ingebouwde constructie open blijven.
- ▶ Controleer of de elektrische informatie op het typeplaatje overeenkomt met de stroomvoorziening. Als dat niet het geval is, neem dan contact op met een elektricien.
- ▶ Het apparaat wordt gebruikt met een voeding van 220–240 VAC/50 Hz. Abnormale spanningsschommelingen kunnen ertoe leiden dat het apparaat niet start of dat de temperatuurregeling of de compressor beschadigd raakt of dat er tijdens het gebruik een abnormaal geluid optreedt. In dat geval moet er een automatische regelaar worden gemonteerd.
- ▶ Gebruik een apart geaard stopcontact voor de stroomvoorziening, dat gemakkelijk toegankelijk is. Het apparaat moet geaard zijn.
- ▶ Alleen voor het Verenigd Koninkrijk: Het netsnoer van het apparaat is voorzien van een 3-aderige (geaarde) stekker die past op een standaard 3-aderig (geaard) stopcontact. De derde pin (aarding) mag nooit worden afgesneden of gede-monteerd. Nadat het apparaat is geïnstalleerd, moet de stekker bereikbaar zijn.
- ▶ Gebruik geen stekkerdozen en verlengkabels.
- ▶ Zorg ervoor dat de stroomkabel niet bekneld zit door de koelkast. Ga niet op de stroomkabel staan.
- ▶ Beschadig het koelcircuit niet.
- ▶ Plaats niet meerdere draagbare stopcontacten of draagbare voedingen op de achterkant van het apparaat.



## WAARSCHUWING!

### Dagelijks gebruik

- ▶ Dit apparaat mag worden gebruikt door kinderen vanaf 8 jaar en door personen met verminderde lichamelijke, zintuiglijke of geestelijke vermogens of met een gebrek aan kennis en ervaring, mits zij onder toezicht worden gehouden of instructies hebben gekregen om het apparaat veilig te kunnen gebruiken en de gevaren begrijpen die ermee gepaard gaan.
- ▶ Kinderen mogen niet met het apparaat spelen.
- ▶ Kinderen van 3 tot 8 jaar mogen wel koelapparatuur inladen en uitladen, maar niet reinigen en installeren.
- ▶ Houd kinderen die jonger zijn dan 3 jaar uit de buurt van het apparaat, tenzij ze voortdurend onder toezicht staan.
- ▶ Het schoonmaken en het onderhoud mag niet door kinderen worden uitgevoerd als er geen toezicht is.
- ▶ Het apparaat moet zo worden geplaatst dat de stekker bereikbaar is.
- ▶ Als er koelgas of ander brandbaar gas in de buurt van het apparaat lekt, moet u het ventiel van het lekkende gas sluiten, de deuren en ramen openen en mag u de stekker van de koelkast of een ander apparaat niet uit het stopcontact halen of in een stopcontact steken.
- ▶ Let op, het apparaat is ingesteld om te werken bij een specifiek omgevingstemperatuurbereik tussen 10°C en 43°C. Het apparaat kan gedurende lange tijd bij een temperatuur boven of onder het aangegeven bereik niet goed werken.
- ▶ Plaats geen onstabiele voorwerpen (zware voorwerpen, containers gevuld met water) boven op de koelvriescombinatie, om persoonlijk letsel door vallen of elektrische schokken door contact met water te voorkomen.
- ▶ Trek niet aan de deurschappen. De deur kan scheefgetrokken worden, het flessenrek kan eruit worden getrokken, of het apparaat kan omvallen.
- ▶ Open en sluit de deur alleen met de handgrepen. De ruimte tussen de deur en de kast is zeer smal. Steek uw handen niet in deze ruimtes, om te voorkomen dat uw vingers bekneld raken. Open of sluit de deuren van de koelvriescombinatie alleen als er geen kinderen zijn die zich binnen het bewegingsbereik van de deur bevinden.
- ▶ Bewaar bier en dranken of andere vloeistoffen in flessen of blikjes (met uitzondering van sterke drank), met name koolzuurhoudende dranken, nooit in de vriezer, omdat deze tijdens het invriezen barsten.
- ▶ Sla geen explosieve stoffen, zoals spuitbussen met een brandbaar drijfgas, op in dit apparaat.



### WAARSCHUWING!

- ▶ Bewaar geen geneesmiddelen, bacteriën of chemische middelen in het apparaat. Dit is een huishoudelijk apparaat. Het wordt niet aanbevolen om materialen op te slaan die strikte temperaturen vereisen.
- ▶ Volg de volgende instructies om besmetting van voedsel te voorkomen:
- ▶ - Het langere tijd open houden van de deur kan leiden tot een aanzienlijke verhoging van de temperatuur in de compartimenten van het apparaat.
- ▶ - Reinig oppervlakken die in contact kunnen komen met voedsel en toegankelijke afvoersystemen regelmatig.
- ▶ - Maak waterreservoirs schoon als ze 48 uur niet zijn gebruikt. Spoel het watersysteem dat is aangesloten op een watertoevoer als er gedurende 5 dagen geen water is getapt.
- ▶ - Bewaar rauw vlees en rauwe vis in geschikte bakken in de koelkast, zodat ze niet in contact komen met of op ander voedsel druppelen.
- ▶ - Vriezercompartimenten met twee sterren zijn geschikt voor het bewaren van diepgevroren levensmiddelen, het bewaren of maken van ijs en het maken van ijsblokjes.
- ▶ - Compartimenten met één ster, twee sterren en drie sterren zijn niet geschikt voor het invriezen van vers voedsel.
- ▶ - Als het koelapparaat langere tijd leeg wordt gelaten, moet u het uitschakelen, ontdooien, reinigen en drogen, en de deur openzetten om te voorkomen dat er zich in het apparaat schimmel ontwikkelt.
- ▶ Controleer de staat van het voedsel als er sprake van opwarming is geweest in de vriezer.
- ▶ Stel de temperatuur in het koelkastgedeelte niet onnodig laag in. Bij een hoge instelling kunnen temperaturen onder nul optreden. Let op: Flessen kunnen barsten.
- ▶ Raak geen bevroren producten aan met natte handen (draag handschoenen). Eet vooral ijsjes niet onmiddellijk na verwijdering uit het vriezergedeelte op. Er bestaat het risico op bevroering of vriesblaren. Eerste hulp: houd onmiddellijk onder de koude kraan. Niet wegtrekken!
- ▶ Raak het binnenoppervlak van het vriezergedeelte niet aan wanneer het in werking is, vooral niet met natte handen, omdat uw handen aan het oppervlak vast kunnen vriezen.
- ▶ Haal de stekker van het apparaat uit het stopcontact wanneer er een stroomonderbreking optreedt of voordat u het schoonmaakt. Laat het apparaat minstens 7 minuten rusten voordat u het opnieuw opstart, omdat vaak starten de compressor kan beschadigen.
- ▶ Gebruik geen elektrische apparaten in de bewaarruimten voor levensmiddelen van het apparaat, tenzij deze van het type zijn dat door de fabrikant wordt aanbevolen.



## WAARSCHUWING!

### Onderhoud/reiniging

- ▶ Zorg ervoor dat kinderen onder toezicht staan als ze schoonmaak en onderhoud uitvoeren.
- ▶ Haal de stekker van het apparaat uit het stopcontact voordat u routineonderhoud uitvoert. Laat het apparaat minstens 5 minuten rusten voordat u het opnieuw opstart, omdat vaak starten de compressor kan beschadigen.
- ▶ Houd de stekker vast, niet het snoer, wanneer u de stekker uit het stopcontact haalt.
- ▶ Reinig het apparaat niet met harde borstels, draadborstels, waspoeder, benzine, amylocetaat, aceton en soortgelijke organische oplossingen, zure of alkalische oplossingen. Reinig het apparaat met een speciaal reinigingsmiddel voor koelkasten/vriezers om schade te voorkomen. U kunt eventueel ook een oplossing van warm water en zuiveringszout gebruiken – ongeveer een eetlepel zuiveringszout per liter water. Spoel grondig af met water en veeg droog. Gebruik geen schoonmaakpoeder of andere schurende middelen. Was verwijderbare onderdelen niet in een vaatwasser.
- ▶ Schraap vorst en ijs niet af met scherpe voorwerpen. Gebruik geen sprays, elektrische verwarmingstoestellen zoals haardrogers, stoomreinigers of andere warmtebronnen om schade aan de kunststof onderdelen te voorkomen.
- ▶ Gebruik geen mechanische apparaten of andere middelen om het ontdooien te versnellen, behalve als deze door de fabrikant worden aanbevolen.
- ▶ Als het netsnoer beschadigd is, moet het worden vervangen door de fabrikant, diens servicevertegenwoordiger of vergelijkbaar gekwalificeerde personen om gevaar te voorkomen.
- ▶ Probeer het apparaat niet zelf te repareren, te demonteren of te wijzigen. In geval van reparatie kunt u contact opnemen met onze klantenservice.
- ▶ Als de lampen zijn beschadigd, moeten deze worden vervangen door de fabrikant, diens servicevertegenwoordiger of vergelijkbaar gekwalificeerde personen om gevaar te voorkomen.
- ▶ Verwijder het stof aan de achterkant van het toestel ten minste eenmaal per jaar om brandgevaar en een verhoogd energieverbruik te voorkomen.
- ▶ Spuit niet op het apparaat en spoel het niet af tijdens het reinigen.
- ▶ Gebruik geen waterstraal of stoom om het apparaat schoon te maken.
- ▶ Maak de koude glazen planken of de glazen deur niet schoon met heet water. Door plotselinge temperatuurveranderingen kan het glas breken.
- ▶ Als u het apparaat voor langere tijd buiten gebruik laat, laat het dan open staan om te voorkomen dat er binnenin onaangename geuren ontstaan.

### Informatie over koelgas



#### WAARSCHUWING!

Het apparaat bevat het brandbare koelmiddel ISOBUTAAN (R600a). Controleer of het koelcircuit tijdens transport of installatie niet is beschadigd. Lekkend koelmiddel kan oogletsel veroorzaken of ontbranden. Als er schade is opgetreden, weghouden van open vuurbronnen, de kamer grondig ventileren, de stekker van het apparaat of enig ander apparaat niet in het stopcontact steken of eruit halen. Informeer de klantenservice.

Als de ogen in contact komen met het koelmiddel, spoel het dan onmiddellijk onder stromend water af en bel onmiddellijk de oogspecialist.

Het koelsysteem staat onder hoge druk. Wijzig er niets aan. Aangezien er brandbare koelmiddelen worden gebruikt, moet u het apparaat volgens de aanwijzingen installeren, verplaatsen en onderhouden en moet u contact opnemen met de professionele vertegenwoordiger of onze klantenservice om het apparaat te verwijderen.

Let op de volgende waarschuwing voor koelkasten met ijswaterfunctie:

- Voor apparaten die niet op de watertoevoer moeten worden aangesloten: alleen vullen met drinkwater.
- Voor apparaten die wel op de watervoorziening moeten worden aangesloten: alleen aansluiten op drinkwatervoorziening.
- Raadpleeg de gebruikershandleiding als u het watersysteem wilt reinigen. Mocht u vragen hebben, neem dan contact op met de klantenservice.

## Beoogd gebruik

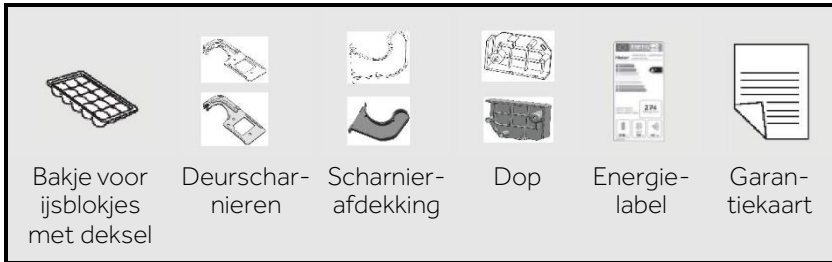
Dit apparaat is bedoeld voor het koelen en invriezen van voedsel. Het is uitsluitend ontworpen voor gebruik in huishoudelijke en soortgelijke toepassingen, zoals persoonskeukens in winkels, kantoren en andere werkomgevingen; op boerderijen en door gasten in hotels, motels en andere woonomgevingen, maar ook in bed and breakfasts en bij cateringbedrijven. Het is niet bedoeld voor commercieel of industrieel gebruik. Wijzigingen of aanpassingen aan het apparaat zijn niet toegestaan. Onbedoeld gebruik kan risico's en verlies van garantieclaims veroorzaken.

## Normen en richtlijnen en

Dit product voldoet aan de eisen van alle toepasselijke EG-richtlijnen met de bijbehorende geharmoniseerde normen en normen van het VK die voorzien in een CE- en UKCA-markering.

## Accessoires

Controleer de accessoires en literatuur in overeenstemming met deze lijst:

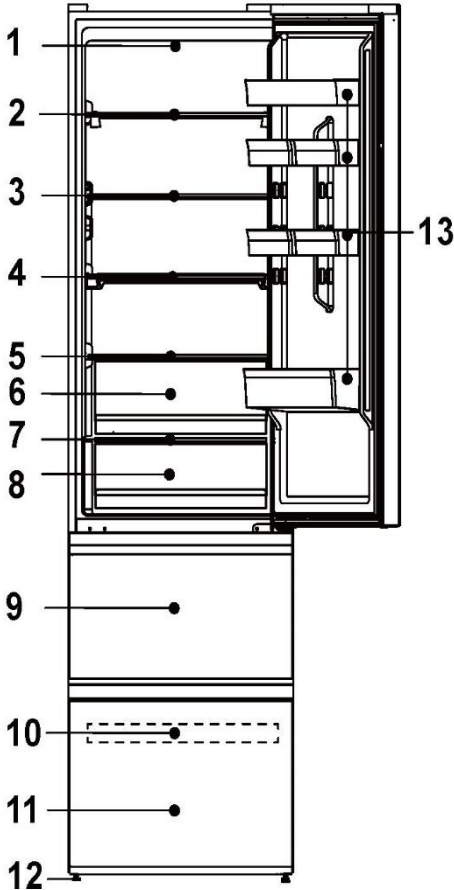


### LET OP

Door technische wijzigingen en verschillende modellen kunnen sommige afbeeldingen in deze handleiding afwijken van uw model.

**i** LET OP

Door technische wijzigingen en verschillende modellen kunnen sommige afbeeldingen in deze handleiding afwijken van uw model.(HTW5620\*N\*)

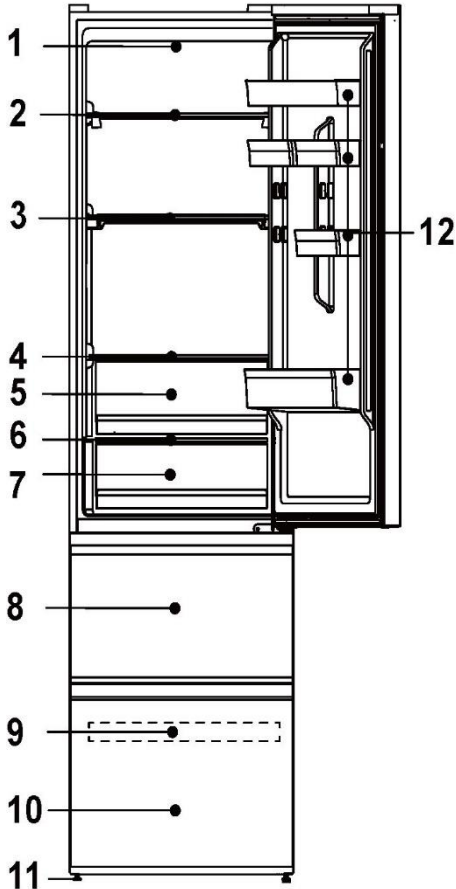


- 1-Ledlamp voor koelkast
- 2-Wijnrek
- 3-Glazen plank
- 4-Opklapbare plank
- 5-Deksel Humidity Zone-bak
- 6-Humidity Zone-bak
- 7-Deksel My Zone-bak
- 8-My Zone-bak
- 9-Bovenste vriezerlade
- 10-Vriezerplaat
- 11-Onderste vriezerlade
- 12-Verstelbare pootjes
- 13-Deurrek



## **i** LET OP

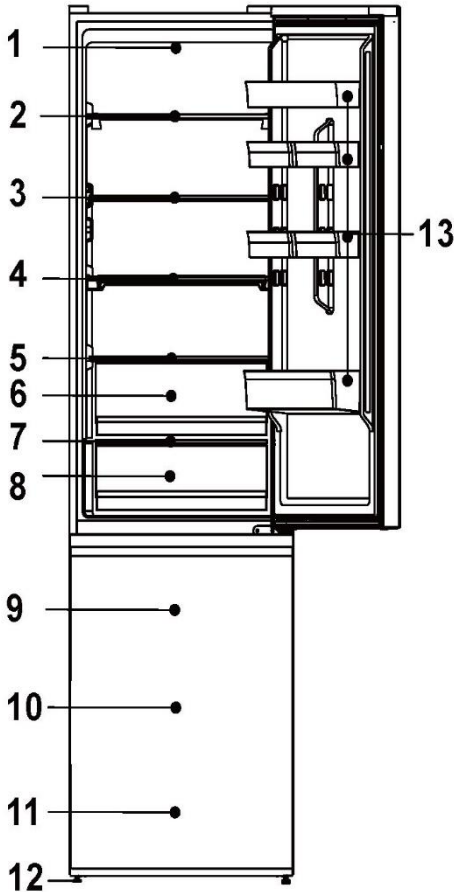
Door technische wijzigingen en verschillende modellen kunnen sommige afbeeldingen in deze handleiding afwijken van uw model. (HTW5618\*N\*)



- 1-Ledlamp voor koelkast
- 2-Wijnrek
- 3-Opklapbare plank
- 4-Deksel Humidity Zone-bak
- 5-Humidity Zone-bak
- 6-Deksel My Zone-bak
- 7-My Zone-bak
- 8-Bovenste vriezerlade
- 9-Vriezerplaat
- 10-Onderste vriezerlade
- 11-Verstelbare pootjes
- 12-Deurrek

**i** LET OP

Door technische wijzigingen en verschillende modellen kunnen sommige afbeeldingen in deze handleiding afwijken van uw model.(HDPW5620\*N\*)

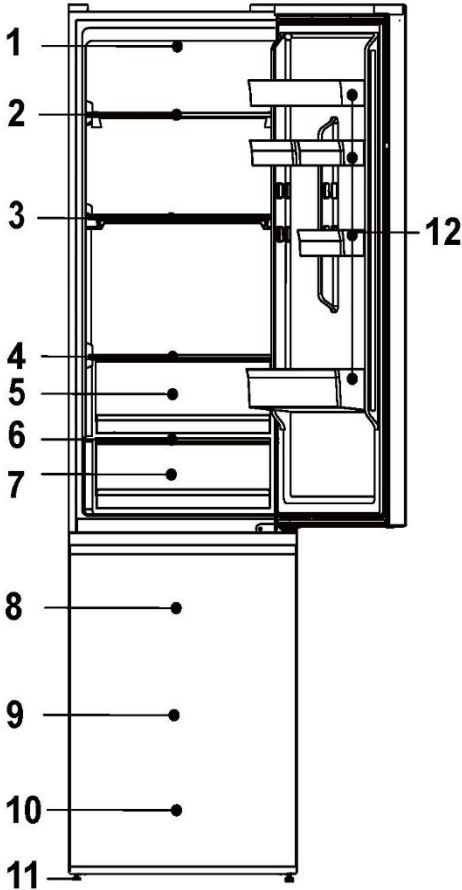


- 1-Ledlamp voor koelkast
- 2-Wijnrek
- 3-Glazen plank
- 4-Opklapbare plank
- 5-Deksel Humidity Zone-bak
- 6-Humidity Zone-bak
- 7-Deksel My Zone-bak
- 8-My Zone-bak
- 9-Bovenste vriezerlade
- 10-Middelste vriezerlade
- 11-Onderste vriezerlade
- 12-Verstelbare pootjes
- 13-Deurrek

NL

**i** LET OP

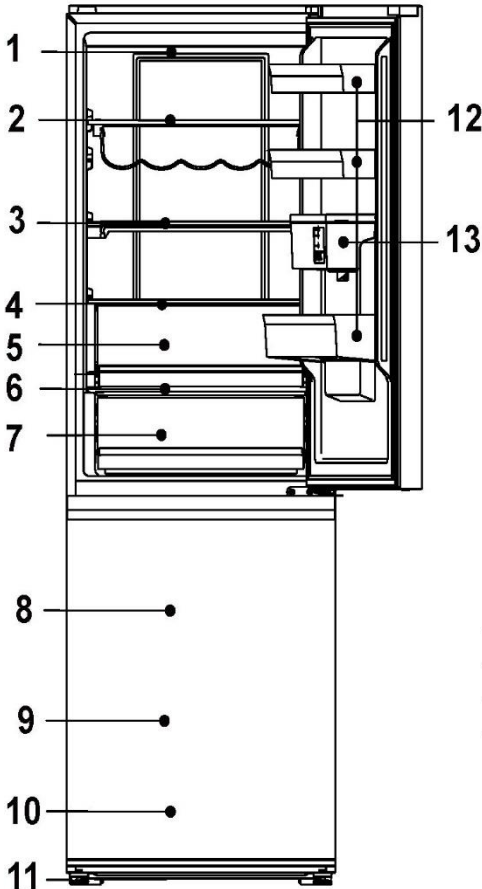
Door technische wijzigingen en verschillende modellen kunnen sommige afbeeldingen in deze handleiding afwijken van uw model. (HDPW5618\*N\*)



- 1-Ledlamp voor koelkast
- 2-Wijnrek
- 3-Opklapbare plank
- 4-Deksel Humidity Zone-bak
- 5-Humidity Zone-bak
- 6-Deksel My Zone-bak
- 7-My Zone-bak
- 8-Bovenste vriezerlade
- 9-Middelste vriezerlade
- 10-Onderste vriezerlade
- 11-Verstelbare pootjes
- 12-Deurrek

**i** LET OP

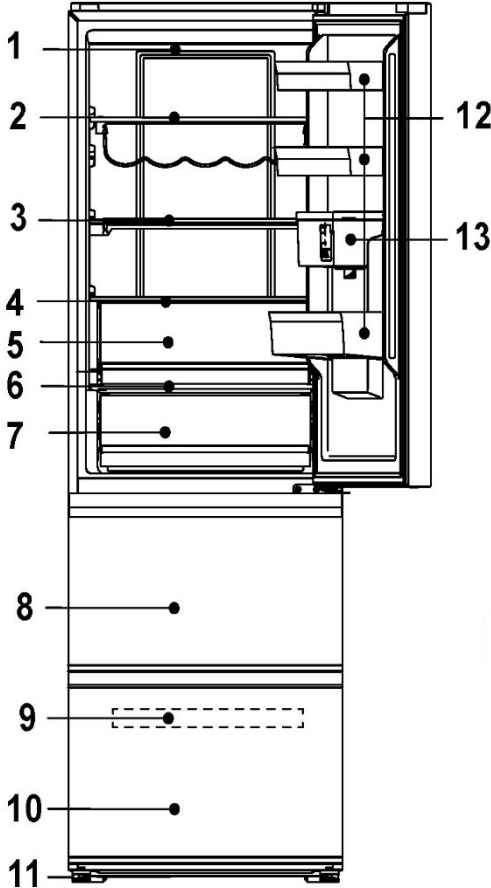
Door technische wijzigingen en verschillende modellen kunnen sommige afbeeldingen in deze handleiding afwijken van uw model.(HDPW5618DW\*)



- 1-Ledlamp voor koelkast
- 2-Wijnrek
- 3-Opklapbare plank
- 4-Deksel Humidity Zone-bak
- 5-Humidity Zone-bak
- 6-Deksel My Zone-bak
- 7-My Zone-bak
- 8-Bovenste vriezerlade
- 9-Middelste vriezerlade
- 10-Onderste vriezerlade
- 11-Verstelbare pootjes
- 12-Deurrek
- 13-Waterreservoir

**i** LET OP

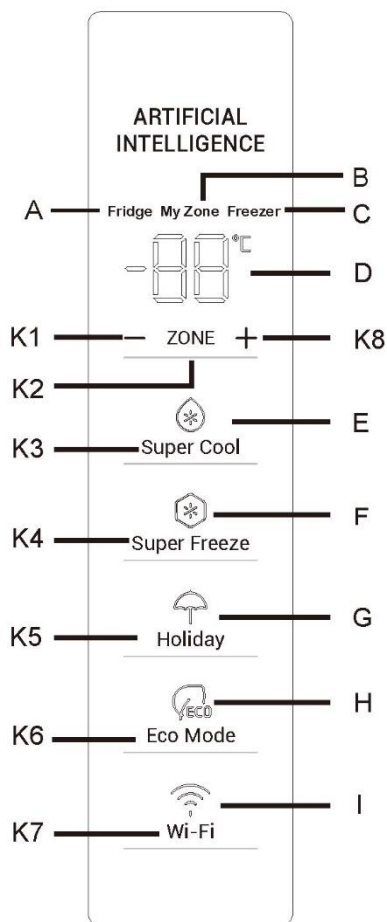
Door technische wijzigingen en verschillende modellen kunnen sommige afbeeldingen in deze handleiding afwijken van uw model.(HTW5618DW\*)



- 1-Ledlamp voor koelkast
- 2-Wijnrek
- 3-Opklapbare plank
- 4-Deksel Humidity Zone-bak
- 5-Humidity Zone-bak
- 6-Deksel My Zone-bak
- 7-My Zone-bak
- 8-Bovenste vriezerlade
- 9-Vriezerplaat
- 10-Onderste vriezerlade
- 11-Verstelbare pootjes
- 12-Deurrek
- 13-Waterreservoir

NL

## Bedieningspaneel



Toetsen:

- A Koelkastgedeelte
- B My Zone-gedeelte
- C Vriezergedeelte
- D Temperatuurweergave
- E Super Cool-functie
- F Super Freeze-functie
- G Functie 'Holiday'
- H Eco Mode-functie
- I Wifi-functie

Indicatoren:

- K1 Temperatuur verlagen
- K2 Selectie koelkast, My Zone en vriezer
- K3 Super Cool-functie aan/uit
- K4 Super Freeze-functie aan/uit
- K5 Holiday-functie aan/uit
- K6 Eco Mode-functie aan/uit
- K7 Wifi-functie aan/uit
- K8 Temperatuur verhogen

### Vóór het eerste gebruik

Verwijder alle verpakkingsmaterialen, houd ze buiten bereik van kinderen en gooi ze op een milieuvriendelijke manier weg.

Reinig de binnen- en buitenkant van het apparaat, de binnenkant en de accessoires met water en een mild reinigingsmiddel, en droog deze delen goed af met een zachte doek.

Nadat het apparaat waterpas is gezet en is schoongemaakt, moet u minstens 2 uur wachten voordat u het aansluit op het elektriciteitsnet. Raadpleeg hoofdstuk INSTALLATIE.

Koel de compartimenten op hoge instellingen voor voordat u het voedsel erin zet. De Super Freeze-functie helpt om het vriezergedeelte snel af te koelen.

## Sensortoetsen

De toetsen op het bedieningspaneel zijn sensortoetsen, die al reageren als ze licht met de vinger worden aangeraakt.

## Het apparaat aan-/uitschakelen

Het apparaat werkt zodra het op de voeding is aangesloten.

Wanneer het apparaat voor het eerst wordt ingeschakeld, tonen temperatuurindicatoren 'D' de vooraf ingestelde waarden (zie de onderstaande informatie).



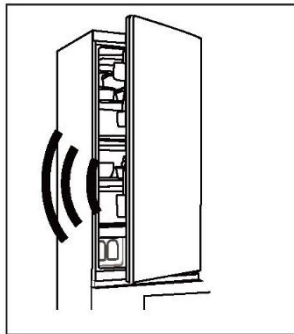
### LET OP

Het apparaat is ingesteld op de aanbevolen temperatuur van 5°C (koelkast) en -18°C (vriezer). De My Zone-temperatuur is vooraf ingesteld op ongeveer 2°C. Dit zijn de aanbevolen instellingen. Als u wilt, kunt u deze temperaturen handmatig veranderen.

## Alarm 'Deur open'

Wanneer de deur van de koelkast langer dan 3 minuten open staat, klinkt het alarm voor deur open.

Het alarm kan worden uitgeschakeld door de deur te sluiten. Als de deur langer dan 7 minuten open staat, worden het licht in de koelkast en de verlichting van het bedieningspaneel automatisch uitgeschakeld.



De temperatuur aanpassen

De binnentemperaturen worden beïnvloed door de volgende factoren:

Omgevingstemperatuur

Frequentie van het openen van de deur

Hoeveelheid opgeslagen voedsel

Installatie van het apparaat

## De koelkasttemperatuur aanpassen

1. Druk op de toets 'K2' (selectie koelkast/(My Zone)/vriezer) om het koelkastgedeelte te selecteren. De pictogrammen 'A' (koelkast) en 'D' (temperatuurweergave) zijn verlicht.
2. Druk op de toets 'K1/K8' om de koelkasttemperatuur in te stellen.  
De temperatuur wordt verhoogd in stappen van 1°C, van een minimum van 2°C tot een maximum van 8°C. De optimale temperatuur in de koelkast is 5°C. Koudere temperaturen betekenen onnodig energieverbruik.
3. Na ongeveer 5 seconden blijft het temperatuurpictogram 'D' (temperatuurweergave) permanent verlicht en is de instelling bevestigd.

### LET OP

Vanuit de app is het mogelijk om de temperatuur voor zowel de koelkast als de vriezer aan te passen. De temperatuur kan worden ingesteld met een gevoeligheid van 1°C.

## De vriezertemperatuur aanpassen

1. Druk op de tiptoets 'K2' (selectie koelkast/(My Zone)/vriezer) om het vriezergedeelte te selecteren, de pictogrammen 'C' (vriezergedeelte) en 'D' (temperatuurweergave) zijn verlicht.
2. Druk op de tiptoets 'K1/K8' om de vriezertemperatuur in te stellen.  
De temperatuur wordt verhoogd in stappen van 1°C, van een minimum van -24°C tot een maximum van -16°C. De optimale temperatuur in de vriezer is -18°C. Lagere temperaturen betekenen onnodig energieverbruik.
3. Na ongeveer 5 seconden blijft het temperatuurindicator 'D' (temperatuurweergave) permanent verlicht en is de instelling bevestigd.

### LET OP

Als er na het instellen van de temperatuur binnen 5 seconden andere toetsen worden aangeraakt, wordt de huidige temperatuurinstelling onmiddellijk bevestigd. Als er binnen 5 seconden geen toetsen worden aangeraakt, wordt de huidige ingestelde temperatuur weergegeven totdat het scherm uitgaat.



## De My Zone-temperatuur aanpassen

Het koelkastgedeelte is voorzien van een My Zone-bak. In overeenstemming met de vereisten voor het bewaren van voedsel kan de meest geschikte temperatuur worden geselecteerd om de optimale voedingswaarde van de voeding te verkrijgen.

1. Druk op de toets 'K2' (selectie koelkast/(My Zone)/vriezer) om het My Zone-gedeelte te selecteren. De pictogrammen 'B' (My Zone-gedeelte) en 'D' (temperatuurweergave) zijn verlicht. Dit kan ook worden geselecteerd in de app.
2. Druk op de tiptoets 'K1/K8' om de temperatuur van My Zone in te stellen. De temperatuur kan ook worden aangepast in de app.

De temperatuur wordt verhoogd in stappen van 1°C, van een minimum van 0°C tot een maximum van 5°C.

3. Na ongeveer 5 seconden blijft het temperatuurpictogram 'D' (temperatuurweergave) permanent verlicht en is de instelling bevestigd.



### LET OP

1. U kunt de temperatuur van het My Zone-gedeelte op het middelste niveau (2°C) instellen om uw voedsel in de optimale bewaaromgeving te bewaren.
2. Door verschillende watergehalten van vlees, bevriezen sommige soorten vlees met meer vocht bij temperaturen lager dan 0°C. Dus gebruiksklaar vlees moet in de My Zone-bak worden bewaard bij een minimumtemperatuur van 0°C.
3. Koudegevoelige vruchten zoals ananas, avocado, bananen, grapefruit en groenten zoals aardappelen, aubergines, bonen, komkommers, courgettes en tomaten en kaas moeten niet in de My Zone-bak worden bewaard.
4. Als de koelkasttemperatuur lager is dan de My Zone-temperatuur, is het normaal dat de temperatuur van My Zone lager is dan de ingestelde temperatuur van My Zone.

## Super-Cool-functie

1. Het wordt aangeraden om de Super Cool-functie in te schakelen als er een grotere hoeveelheid voedsel moet worden opgeslagen (bijvoorbeeld na de aankoop). De Super Cool-functie versnelt het koelen van vers voedsel en beschermt het al opgeslagen voedsel tegen ongewenste opwarming.
2. Druk op de toets 'K3' of schakel de functie in vanuit de app, pictogram 'E' (Super Cool-functie) is verlicht en de functie wordt geactiveerd.

### LET OP

1. Het apparaat schakelt de 'Super Cool-functie' uit nadat deze 6 uur ingeschakeld is geweest of als u op de toets 'K3' drukt wanneer het pictogram 'E' (Super Cool-functie) verlicht is of de functie uitschakelt in de app.
2. Als de temperatuur van het koelkastgedeelte wordt veranderd terwijl de Super Cool-functie is ingeschakeld, knippert het pictogram 'E' (Super Cool-functie) om aan te geven dat deze handeling niet kan worden uitgevoerd.

### Super-Frz-functie

1. Vers voedsel moet zo snel mogelijk diep worden ingevroren. Hierdoor blijven de voedingswaarde, het uiterlijk en de smaak het best behouden. De Super Freeze-functie versnelt het invriezen van vers voedsel en beschermt de reeds opgeslagen producten tegen ongewenste opwarming. Als u in één keer een grote hoeveelheid voedsel moet invriezen, is het raadzaam de Super Freeze-functie 24 uur vóór het gebruik van het vriezergedeelte in te stellen.
2. Druk op de toets 'K4' (instelling Super Freeze-functie) of schakel de functie in met de app, het pictogram 'F' (Super Freeze-functie) is verlicht en de functie wordt geactiveerd.

### LET OP

1. Het apparaat schakelt de Super Freeze-functie uit nadat deze 50 uur ingeschakeld is geweest of als u op de toets 'K4' drukt wanneer het pictogram 'F' (Super Freeze-functie) verlicht is of de functie uitschakelt in de app.
2. Als de temperatuur van het vriezergedeelte wordt veranderd terwijl de Super Freeze-functie is ingeschakeld, knippert het pictogram 'F' (Super Freeze-functie) om aan te geven dat deze handeling niet kan worden uitgevoerd.

### Functie 'Holiday'

De Holiday-functie kan worden gebruikt om het energieverbruik van het apparaat te verminderen, als het niet regelmatig wordt gebruikt. Wanneer de functie ingeschakeld is, is de koelkast uitgeschakeld, terwijl de diepvriezer normaal blijft werken. De functie stelt de koelkasttemperatuur permanent in op 17°C.

Hierdoor kan de deur van de lege koelkast gesloten blijven zonder dat er een geur of schimmel ontstaat tijdens een lange afwezigheid (bijv. tijdens vakantie).

U kunt het vriezergedeelte naar wens instellen.

1. Druk op de toets 'K5' (Holiday-functie aan/uit) of selecteer de functie in de app, het pictogram 'G' (Holiday-functie) is verlicht en de functie wordt geactiveerd.
2. De functie kan worden uitgeschakeld door opnieuw op de toets 'K5' (Holiday-functie aan/uit) te drukken of door de koelkasttemperatuur in te stellen of door een andere instelling uit te voeren of door de functie uit te schakelen in de app.

**i LET OP**

1. Tijdens de Holiday-functie mag er geen voedsel in het koelkastgedeelte worden bewaard. De temperatuur van +17°C is te hoog voor het bewaren van voedsel.
2. Wanneer de Holiday-functie is ingeschakeld, blijft het My Zone-pictogram uit en is de koelkastfunctie vergrendeld. Als de temperatuur van het koelkastgedeelte wordt veranderd, knippert het pictogram 'G' (Holiday-functie) om aan te geven dat deze handeling niet kan worden uitgevoerd.

**Eco Mode-functie**

De Eco-modus kan worden geactiveerd om de prestaties van het apparaat te optimaliseren en tegelijkertijd voedsel het best te bewaren. Als u geen speciale eisen hebt, raden wij u aan om de Eco Mode-functie te gebruiken.

In deze modus is de koelkasttemperatuur 5°C en is de vriestemperatuur -18°C.

1. Druk op de toets 'K6' (Eco Mode-functie aan/uit) of selecteer de functie in de app.
2. Het pictogram 'H' (Eco Mode-functie) is verlicht en de functie wordt geactiveerd.







Door de bovenstaande stappen te herhalen of een andere functie te selecteren of de functie uit te schakelen in de app, kan deze functie weer worden uitgeschakeld. De eerder ingestelde koelniveaus worden hersteld.

**i LET OP**

Als de temperatuur van het koelkast-/vriezergedeelte wordt veranderd terwijl de Eco Mode-functie is ingeschakeld, knippert het pictogram 'H' (Eco Mode-functie) om aan te geven dat deze handeling niet kan worden uitgevoerd.

## Gebruik wifi

Stap 1 Download de hOn-app in de stores.

|                                                                                                                                                                                                                                                                                                                                         |                                                                                                                                          |
|-----------------------------------------------------------------------------------------------------------------------------------------------------------------------------------------------------------------------------------------------------------------------------------------------------------------------------------------|------------------------------------------------------------------------------------------------------------------------------------------|
|     |                                                                                                                                          |
| <p>Stap 2 Maak een account aan in de hOn-app of log in als u al een account heeft.</p>                                                                                                                                                                 | <p>Stap 3 Volg de koppelinstructies in de hOn-app.</p>  |

### Wififunctie

1. Volg de instructies in de app om de wifi te configureren.
2. Zodra de wifi is ingesteld en de verbinding tot stand is gebracht, gaat het wifipictogram 'I' aan en blijft branden.
3. Als de wifi al is geconfigureerd, zal er automatisch opnieuw verbinding worden gemaakt volgens de configuratie-informatie als de wifi wordt ingeschakeld.

### LET OP

1. Druk op de wifitoets 'K7' om de wifi uit te schakelen. Het wifipictogram 'I' gaat uit.
2. Druk op de wifitoets 'K7' om de wifi in te schakelen en de configuratie te starten. Het wifipictogram 'I' knippert langzaam. Als u de wifi-functie wilt configureren, houdt u gedurende 3 seconden de toets 'K7' ingedrukt; het wifi-pictogram knippert snel en gaat de configuratiemodus in. Als u de wififunctie wilt uitschakelen, drukt u één keer op de toets 'K7'. De bovenstaande stappen worden herhaald.
3. Als het product is geconfigureerd en de wifi-functie is uitgeschakeld, zal de koelkast de configuratiemodus niet openen wanneer deze weer wordt aangesloten op de voeding.

### LET OP

1. Dit product is niet bedoeld voor commercieel gebruik.
2. Het maximale RF-uitgangsvermogen: 2,4 GHz; Wifi: 16dBm.
3. Bluetooth LE: 5 dBm; Bluetooth(BR/EDR): 10 dBm.
4. Frequentieband: 2400–2483,5 MHz.

## Bewaren in het koelkastgedeelte

Houd de koelkasttemperatuur lager dan 5 °C.

Laat warm voedsel afkoelen tot kamertemperatuur voordat u het in het apparaat opbergt.

In de koelkast opgeslagen levensmiddelen moeten worden gewassen en afgedroogd voordat zij worden opgeborgen.

Het te bewaren voedsel moet goed afgesloten zijn om geur- of smaakveranderingen te voorkomen.

Bewaar geen overmatige hoeveelheden voedsel. Laat ruimtes tussen voedingswaren zodat er koude lucht omheen kan stromen, voor een betere en gelijkmatiger koeling.

Voedsel dat dagelijks wordt gegeten moet worden bewaard aan de voorkant van de plank.

Laat ruimte tussen voedingswaren en de binnenwanden, zodat lucht kan stromen.

Bewaar met name geen voedsel tegen de achterwand: voedsel kan tegen achterwand bevriezen. Vermijd direct contact tussen voedsel (met name vette of zure voedingsproducten) met de binnenvoering, omdat olie/zuur de binnenvoering kan beschadigen. Haal vettig en zuur vuil altijd weg wanneer het wordt ontdekt.

Bevroren voedsel kan voorzichtig worden ontdooid in het koelkastgedeelte. Dit bespaart energie.

Het verouderingsproces van groenten en fruit, zoals courgettes, meloenen, papaja's, bananen, ananassen, etc. kan in de koelkast worden versneld. Het is daarom niet aan te bevelen ze in de koelkast te bewaren. Het rijpen van onrijp fruit kan echter wel worden versneld gedurende een bepaalde periode. Uien, knoflook, gember en andere wortelgroenten moeten ook bij kamertemperatuur worden bewaard.

Onaangename geurtjes in de koelkast zijn een teken dat er iets is gemorst en moet worden schoongemaakt. Zie 'Onderhoud en reiniging'.

Verschillende voedingswaren moeten op verschillende plaatsen worden geplaatst naargelang de eigenschappen ervan.

## Bewaren in het vriezergedeelte

Houd de temperatuur van de vriezer op -18°C.

Schakel 24 uur voor het invriezen de functie 'Super-Freeze' in.

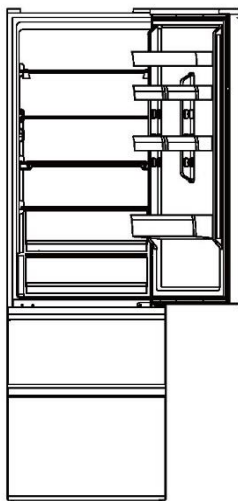
Voor kleine hoeveelheden voedsel is 4–6 uur voldoende.

Warm voedsel moet eerste worden afgekoeld tot kamertemperatuur voordat deze in het vriezergedeelte kan worden bewaard.

Voedsel dat in kleine porties is gesneden zal sneller bevriezen en is gemakkelijker te ontdooiden en bereiden. Het aanbevolen gewicht per portie bedraagt minder dan 2,5 kg

Het is beter het voedsel te verpakken voordat het in de vriezer gaat. De buitenkant van de verpakking moet droog zijn om te voorkomen dat zakken aan elkaar kleven. Verpakkingsmaterialen moeten geurvrij, luchtdicht, niet-giftig en niet-toxisch zijn.

Schrijf om overschrijden van de houdbaarheidstermijnen te voorkomen de invriesdatum, de tijdlimiet en de naam van het voedsel op de verpakking volgens de bewaartermijnen van de verschillende levensmiddelen.



## WAARSCHUWING!

- ▶ Zuren, basen en zout, enz. kunnen het interne oppervlak van de vriezer wegvreten.
- ▶ Plaats voedsel met deze stoffen (bijv. zeevis) niet direct tegen de binnenzijde. Zout water in de diepvriezer moet onmiddellijk worden verwijderd.
- ▶ Overschrijd niet de door de fabrikanten aanbevolen bewaartijd van levensmiddelen. Neem alleen de benodigde hoeveelheid voedsel uit de vriezer.
- ▶ Gebruik ontdooid etenswaren zo snel mogelijk. Ontdooid voedsel mag niet opnieuw worden ingevroren, tenzij het eerst wordt bereid; anders is het mogelijk niet meer eetbaar.
- ▶ Plaats geen overmatige hoeveelheden vers voedsel in het vriezergedeelte. Zie de vriescapaciteit van de diepvriezer – zie TECHNISCHE GEGEVENS of de gegevens op het typeplaatje.
- ▶ Levensmiddelen kunnen bij een temperatuur van ten minste  $-18^{\circ}\text{C}$  gedurende 2 tot 12 maanden in de vriezer worden bewaard, afhankelijk van de eigenschappen (bijv. vlees: 3–12 maanden, groenten: 6–12 maanden).
- ▶ Vermijd bij het invriezen van vers voedsel dat het in contact komt met al ingevroren levensmiddelen. Risico op ontdooien!

### **Volg de volgende richtlijnen bij het opslaan van commercieel ingevroren levensmiddelen:**

Volg altijd de richtlijnen van de fabrikanten voor hoe lang u het voedsel kunt bewaren. Overschrijd deze richtlijnen niet!

Probeer de tijd tussen aankoop en opslag zo kort mogelijk te houden om de voedselkwaliteit te behouden.

Koop alleen diepvriesproducten die bij een temperatuur van  $-18^{\circ}\text{C}$  of lager zijn bewaard. Vermijd het kopen van voedsel dat ijs of rijp op de verpakking heeft. Dit wijst erop dat de producten op een bepaald moment gedeeltelijk ontdooid en opnieuw ingevroren kunnen zijn – temperatuurstijgingen hebben invloed op de kwaliteit van het voedsel.

## Waterdispenser

Met de waterdispenser kan koud drinkwater worden getapt.

Het waterreservoir moet vóór het eerste gebruik worden gereinigd (raadpleeg ONDERHOUD EN REINIGING).

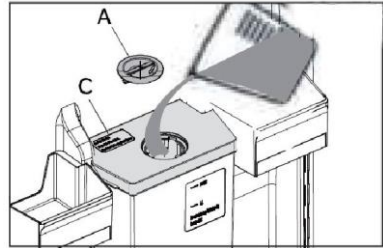
### Het waterreservoir vullen



## WAARSCHUWING!

► Gebruik alleen drinkwater.

1. Zorg ervoor dat het waterreservoir goed is geplaatst (zie APPARATUUR).
2. Draai en verwijder de ronde dop (A) en vul het waterreservoir met vers drinkwater (afb. 5.10.1).
3. Vul het water niet voorbij de markering (2.5 l); omdat het water anders kan overstromen wanneer de deur open en dicht gaat.
4. Draai de ronde dop (A) terug tot deze vastklikt.



## LET OP

1. Het apparaat schakelt de 'Super Cool-functie' uit nadat deze 6 uur ingeschakeld is geweest of als u op de toets 'K3' drukt wanneer het pictogram 'E' (Super Cool-functie) verlicht is of de functie uitschakelt in de app.
2. Als de temperatuur van het koelkastgedeelte wordt veranderd terwijl de Super Cool-functie is ingeschakeld, knippert het pictogram 'E' (Super Cool-functie) om aan te geven dat deze handeling niet kan worden uitgevoerd.



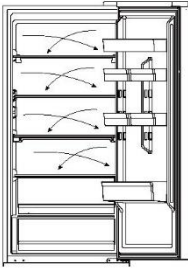
### Tips voor energiebesparing

- ▶ Zorg ervoor dat het apparaat goed wordt geventileerd (raadpleeg INSTALLATIE).
- ▶ Installeer het apparaat niet in direct zonlicht of in de buurt van warmtebronnen (bijv. kachels, verwarmingstoestellen).
- ▶ Vermijd onnodig lage temperaturen in het apparaat. Het energieverbruik neemt toe naarmate de ingestelde temperatuur in het apparaat daalt.
- ▶ Functies zoals SUPER FREEZE verbruiken meer energie.
- ▶ Laat warm voedsel afkoelen voordat u het in de koelkast plaatst.
- ▶ Open de deur van het apparaat zo weinig en zo kort mogelijk.
- ▶ Vul het apparaat niet te vol om te voorkomen dat de luchtdoorstroming wordt geblokkeerd.
- ▶ Vermijd lucht in de verpakking van het voedsel.
- ▶ Houd de deurpakking schoon, zodat de deur altijd goed sluit.
- ▶ Ontdooi bevroren levensmiddelen in de koelkast of gebruik de D-Frost-functie in de My Zone-bak.
- ▶ De meest energiebesparende configuratie vereist dat de lade, de bak en de planken als nieuw in het apparaat worden geplaatst en dat voedsel zo wordt geplaatst dat het de luchtuitlaat van het luchtkanaal niet blokkeert.



## **i** Let op

Als gevolg van verschillende modellen, heeft uw product mogelijk niet alle volgende functies. Zie hoofdstuk 'Productbeschrijving'.

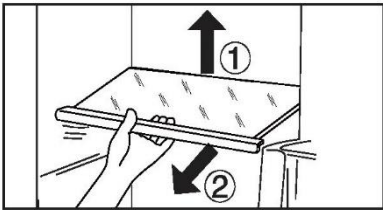


### **Meervoudige luchtstroom**

De koelkast is uitgerust met een meervoudige-luchtstroomsysteem, waarmee er op elke plank koude luchtstromen zijn. Dit helpt om een gelijkmatige temperatuur te handhaven om ervoor te zorgen dat uw voedsel langer vers blijft.

### **Verstelbare planken**

1. De hoogte van de planken kan worden aangepast aan uw opslagbehoeften.
2. Om een plank te verplaatsen, verwijdert u hem eerst door de achterrand ① op te tillen en de plank eruit ② te trekken.
3. Om hem weer te installeren, plaatst u hem op de nokjes aan beide kanten en duwt u hem helemaal naar achteren tot de achterkant van de plank vastzit in de gleuven in de zijkanten.



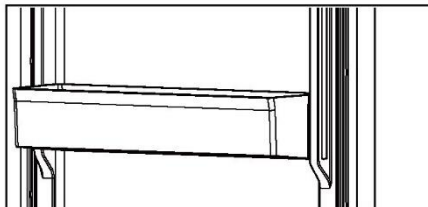
## **i** Let op

Zorg ervoor dat alle kanten van een plank vlak zijn.

### **Uitneembaar deurrek**

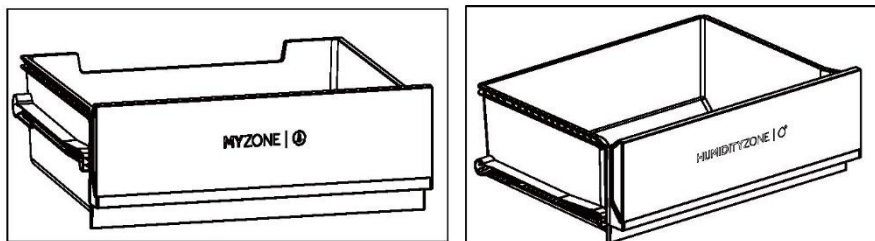
Het deurrek kan worden verwijderd voor het reinigen:

Plaats uw handen aan beide kanten van het rek, til het omhoog (1) en trek het eruit (2). Voer de bovenstaande stappen in omgekeerde volgorde uit om het deurrek weer terug te plaatsen.



## My Zone-bak

Zie het gedeelte GEBRUIK (My Zone) voor het gebruik en het instellen van het My Zone-gedeelte.



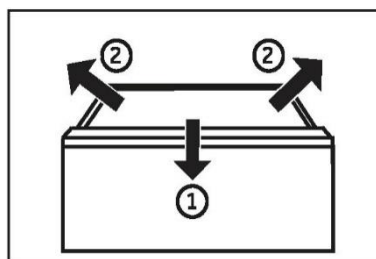
## Humidity Zone-bak

In dit gedeelte wordt het vochtigheidsniveau automatisch gereguleerd door het systeem en is geschikt voor het bewaren van fruit, groenten, salades, etc.

### Verwijderbare lade

Om de lade uit het koelkast- of vriezergedeelte te verwijderen, trekt u deze zo ver mogelijk naar buiten (1), daarna optillen en verwijderen (2).

Voer de bovenstaande stappen in omgekeerde volgorde uit om de lade weer terug te plaatsen.



## Vriezerlade

De vriezerlade kan recht en volledig worden uitgetrokken. Ze zijn gemonteerd op gemakkelijk glijdende, uitschuifbare rails, zodat u de diepvriesproducten comfortabel kunt bewaren en uit de lade kunt verwijderen. Door het automatische deursluitmechanisme is de bediening eenvoudig en bespaart u energie.



## WAARSCHUWING!

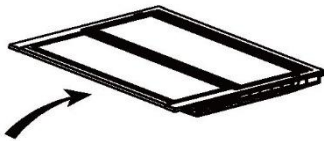
De lades niet overbelasten: Maximale belasting van elke lade: 35 kg!

### De verlichting

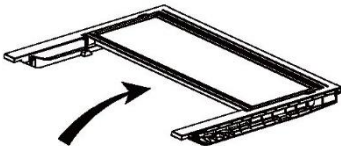
De led-binnenverlichting gaat branden als de deur wordt geopend. De werking van de verlichting wordt niet beïnvloed door een van de andere instellingen van het apparaat.

### Opklapbare planken

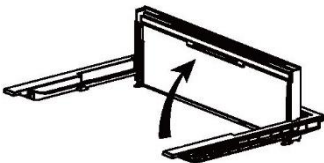
Dankzij de opklapbare planken kan de gebruiker hoge flessen of artikelen op de planken zetten. De planken kunnen worden opgeklapt aan de achterkant zodat de beschikbare ruimte van het onderste plank groter wordt. De plank kan als volgt worden opgeklapt: stap 1-3. Voer de volgende procedures in omgekeerde volgorde uit als u terug wilt keren naar de oorspronkelijke situatie.



Stap 1: Duw de voorkant van de plank langzaam naar het einde toe.



Stap 2: Duw de plank langzaam omhoog naar de verticale positie.



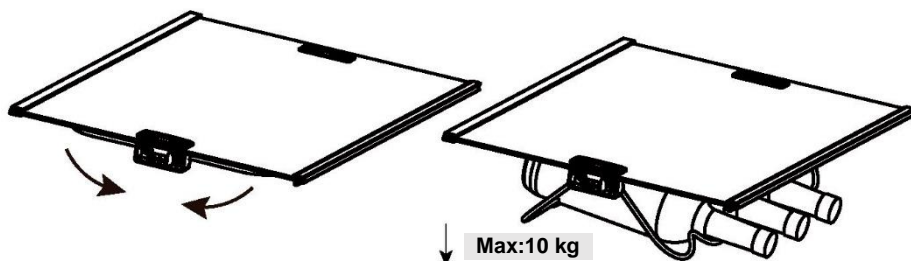
Stap 3: De plank is verticaal. Hierdoor wordt er ruimte bespaard.

## Opvouwbaar flessenrek

Voor normaal gebruik

1. Trek de beugels van het flessenrek omlaag.
2. Plaats de flessen in het rek.

Wanneer het niet wordt gebruikt, kan het flessenrek worden teruggeklapt om ruimte te besparen.



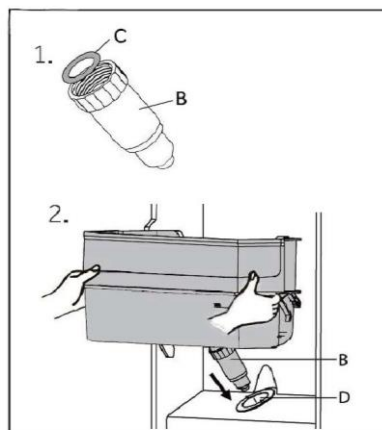
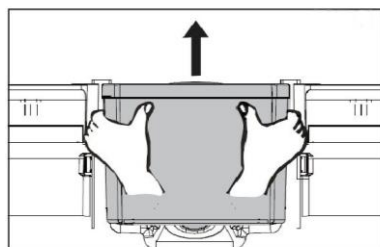
## Waterreservoir

### Het waterreservoir verwijderen

Het waterreservoir kan net als de deurbakken worden verwijderd en terug worden geplaatst om schoon te maken.

### Het waterreservoir plaatsen

1. Zorg ervoor dat de tuit van de dispenser (B) stevig op het waterreservoir vastgeschroefd zit en de witte O-ring (C) in positie is.
2. Plaats het waterreservoir zodanig dat de tuit van de dispenser (B) in de opening van de deur (D) past.



### **i** Let op

- ▶ Zorg ervoor dat de tuit stevig op het waterreservoir vastgeschroefd zit en de witte O-ring (C) in positie is.
- ▶ Als het waterreservoir niet goed is geplaatst, kan er water uit de aansluiting lekken.
- ▶ Gebruik geen overmatige kracht bij het verwijderen of plaatsen van het waterreservoir, om schade aan het reservoir te voorkomen.

**WAARSCHUWING!**

Haal de stekker van het apparaat uit het stopcontact voordat u het reinigt.

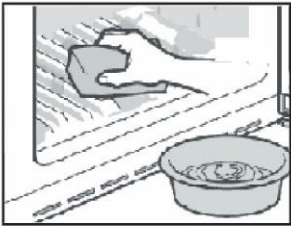
**Reinigen**

Reinig het apparaat als er weinig of geen voedsel in is opgeslagen.

Het apparaat moet om de vier weken worden schoongemaakt voor een goed onderhoud en om nare voedselgeuren te voorkomen.

**WAARSCHUWING!**

- ▶ Reinig het apparaat niet met harde borstels, draadborstels, waspoeder, benzine, amylacetaat, aceton en soortgelijke organische oplossingen, zure of alkalische oplossingen. Reinig het apparaat met een speciaal reinigingsmiddel voor koelkasten om schade te voorkomen.
- ▶ Spuit niet op het apparaat en spoel het niet af tijdens het reinigen.
- ▶ Gebruik geen waterstraal of stoom om het apparaat schoon te maken.
- ▶ Reinig de koude glazen planken niet met heet water. Door plotselinge temperatuurveranderingen kan het glas breken.
- ▶ Raak het binnenoppervlak van het vriezergedeelte niet aan, vooral niet met natte handen, omdat uw handen aan het oppervlak vast kunnen vriezen.
- ▶ Controleer in geval van opwarming de toestand van de ingevroren producten.



- ▶ Houd de deurpakking altijd schoon.
- ▶ Reinig de binnenkant en behuizing van het apparaat met een spons die is bevochtigd in warm water en een neutraal reinigingsmiddel.
- ▶ 1. Was de binnenkant en buitenkant van de koelkast, waaronder deurrubbers, deurrek, glazen planken, bakken enzovoort, met een zachte handdoek of spons die in warm water is gedrenkt (u mag een neutraal schoonmaakmiddel toevoegen aan het warme water).
- ▶ 2. Als er vloeistof is gemorst, verwijder dan alle verontreinigde onderdelen en spoel ze direct af met het stromend water. Daarna afdrogen en terug in de koelkast plaatsen.
- ▶ 3. Als er room (zoals koffiemelk, smeltend ijs) wordt gemorst, moeten alle verontreinigde delen worden verwijderd. Zet ze een tijdje in warm water van ongeveer 40°C en spoel vervolgens af met stromend water. Daarna afdrogen en terug in de koelkast plaatsen.
- ▶ 4. Als een klein deeltje of onderdeel vast komt te zitten in de koelkast (tussen planken of laden), gebruik dan een klein, zacht borsteltje om het weg te halen. Als u het onderdeel niet kan bereiken, neem dan contact op met de klantenservice van Haier.
- ▶ Spoel af en droog af met een zachte doek.
- ▶ Reinig de onderdelen van het apparaat niet in een vaatwasser.
- ▶ Laat het apparaat minstens 5 minuten rusten voordat u het opnieuw opstart, omdat vaak opstarten de compressor kan beschadigen.

**Ontdooien**

Het ontdooien van de koelkast en het vriezergedeelte gebeurt automatisch; er is geen handmatige actie nodig.

De ledlampjes vervangen



### WAARSCHUWING!

Vervang de ledlamp niet zelf, deze mag alleen worden vervangen door de fabrikant of door de erkende servicevertegenwoordiger.

De lamp heeft een led als lichtbron, met een laag energieverbruik en een lange levensduur. Als er sprake is van een afwijking, neem dan contact op met de klantenservice. Zie KLANTENSERVICE.

Parameters van de lampen:

| Deel                  | Ledlamp  |
|-----------------------|----------|
| Spanning in V         | 12 V     |
| Max. vermogen in W    | 1,5 W    |
| Led-specificaties     | Wit-2835 |
| LED-efficiëntieklasse | G        |
| Gebruikstemperatuur   | -40~80°C |

### Geen gebruik voor een langere periode

Als het apparaat gedurende langere tijd niet wordt gebruikt en u gebruikt niet de Holiday-functie bij de koelkast:

Haal het voedsel eruit.

Haal de stekker van het netsnoer uit het stopcontact.

Reinig het apparaat zoals hierboven beschreven.

Houd de deuren open om de vorming van nare geuren binnenin te voorkomen.



### Let op

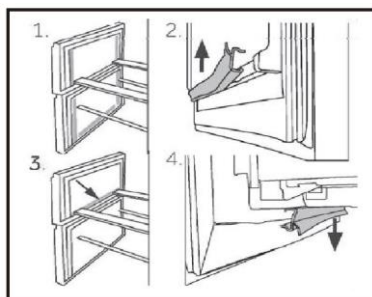
Schakel het apparaat alleen uit als dat echt nodig is.

## Afneembare extra deurafdichtingen

Er zijn zes extra deurafdichtingen op de bovenste en onderste vriezerladen.

1. Zoek de vijf aangegeven deurafdichtingen op de bovenste en onderste vriezerladen.
2. Zorg ervoor dat de gebogen gedeelten van de afdichtingen naar binnen wijzen tijdens het aanbrengen.
3. Zoek de onderste afdichting van de bovenste lade op, zoals aangegeven.
4. Zorg ervoor dat het gebogen gedeelte van deze afdichting omlaag wijst tijdens het aanbrengen.

U krijgt deze afdichtingen en de afdichtingen voor de draaideur/-lade via de klantenservice (zie garantiekaart).



## Het apparaat verplaatsen

1. Verwijder alle etenswaren en haal de stekker van het apparaat uit het stopcontact.
2. Maak planken en andere beweegbare delen in de koelkast en vriezer vast met plakband.
3. Kantel de koelkast niet meer dan 45° om schade aan het koelsysteem te voorkomen.

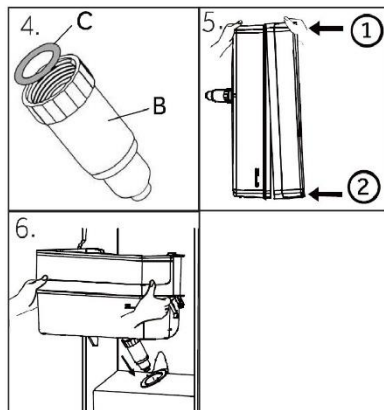
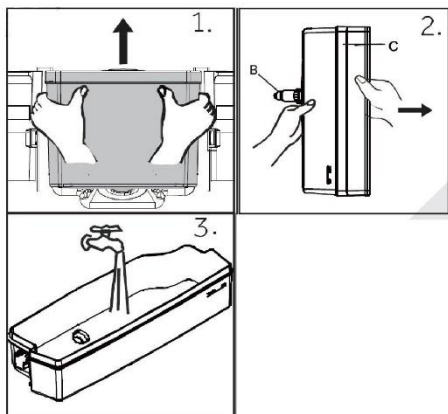


### WAARSCHUWING!

- ▶ Til het apparaat niet op aan de grepen.
- ▶ Plaats het apparaat nooit horizontaal op de grond.

### Het waterreservoir schoonmaken

1. Haal het waterreservoir uit het apparaat.
2. Verwijder het deksel (C) en schroef de dispensertuit (B) voorzichtig los.
3. Maak het waterreservoir en de tuit van de dispenser schoon met stromend warm water en vloeibaar afwasmiddel. Zorg ervoor dat alle zeep is afgespoeld.
4. Plaats de dispensertuit (B) terug en zorg ervoor dat hij stevig op het waterreservoir is vastgeschroefd en dat de witte O-ring (C) in positie is.
5. Druk op het deksel om het vast te klikken in de ene kant van het waterreservoir en vervolgens aan de andere kant, controleer of het waterreservoir en het deksel goed in elkaar zitten.
6. Vervang het reservoir in het apparaat. Zorg ervoor dat de tuit van de dispenser goed in het gat van de deur zit.



### **i** Let op

- ▶ Als het waterreservoir niet goed is geplaatst, kan er water uit de aansluiting lekken.
- ▶ Gebruik geen overmatige kracht bij het verwijderen of plaatsen van het waterreservoir, om schade aan het reservoir te voorkomen.



Veel problemen kunnen door uzelf worden opgelost zonder specifieke expertise. Raadpleeg in geval van een probleem alle getoonde mogelijkheden en volg de onderstaande instructies voordat u contact opneemt met de klantenservice. Zie KLANTENSERVICE.



### WAARSCHUWING!

- ▶ Schakel het apparaat uit voordat u onderhoud uitvoert en haal de stekker uit het stopcontact.
- ▶ Elektrische apparatuur mag alleen worden onderhouden door gekwalificeerde elektrische experts, omdat onjuiste reparaties aanzienlijke gevolgschade kunnen veroorzaken.
- ▶ Als de voeding beschadigd is, mag deze alleen worden vervangen door de fabrikant, diens servicevertegenwoordiger of vergelijkbaar gekwalificeerde personen om gevaar te voorkomen.

NL

### Probleemoplossingstabel

| Probleem                            | Mogelijke oorzaak                                                                        | Mogelijke oplossing                                                                                                                                |
|-------------------------------------|------------------------------------------------------------------------------------------|----------------------------------------------------------------------------------------------------------------------------------------------------|
| De compressor werkt niet.           | De netstekker is niet aangesloten op het stopcontact.                                    | Steek de stekker in het stopcontact.                                                                                                               |
|                                     | Het apparaat is aan het ontdooien.                                                       | Dit is normaal voor automatisch ontdooien.                                                                                                         |
| Het apparaat loopt vaak of te lang. | De binnen- of buitentemperatuur is te hoog.                                              | In dit geval is het normaal dat het apparaat langer werkt.                                                                                         |
|                                     | Het apparaat is een tijd lang niet ingeschakeld geweest.                                 | Normaal gesproken duurt het 8–12 uur voordat het apparaat volledig is afgekoeld.                                                                   |
|                                     | Een deur/lade van het apparaat zit niet goed dicht.                                      | Sluit de deur/lade en zorg ervoor dat het apparaat op een vlakke ondergrond staat en dat er geen etenswaren of voedselbakjes de deur blokkeren.    |
|                                     | De deur/lade is te vaak of te lang geopend.                                              | Open de deur/lade niet te vaak.                                                                                                                    |
|                                     | De temperatuurinstelling voor het vriezergedeelte is te laag.                            | Stel de temperatuur hoger in totdat een toereikende koelkasttemperatuur is bereikt. Het duurt 24 uur voordat de koelkasttemperatuur stabiel wordt. |
|                                     | De deur-/ladepakkingen zijn vuil, versleten, gebarsten of niet goed op elkaar afgestemd. | Reinig de afdichtingen van de deur/lade of vervang ze via de klantenservice.                                                                       |
|                                     | De vereiste luchtcirculatie is niet gegarandeerd.                                        | Zorg voor voldoende ventilatie.                                                                                                                    |

## Problemen oplossen

|                                                                                                          |                                                              |                                                                                            |
|----------------------------------------------------------------------------------------------------------|--------------------------------------------------------------|--------------------------------------------------------------------------------------------|
| De binnenkant van de koelkast is vuil en/of stinkt.                                                      | De binnenkant van de koelkast moet worden schoongemaakt.     | Reinig de binnenkant van de koelkast.                                                      |
|                                                                                                          | Er wordt voedsel met een sterke geur bewaard in de koelkast. | Verpak het voedsel goed.                                                                   |
| Het is niet koud genoeg in het apparaat.                                                                 | De temperatuur is te hoog ingesteld.                         | Stel de temperatuur opnieuw in                                                             |
|                                                                                                          | Er zijn te warme gerechten opgeslagen.                       | Laat de producten altijd afkoelen voordat u ze in de koelkast zet.                         |
|                                                                                                          | Er is te veel voedsel in één keer bewaard.                   | Bewaar altijd kleine hoeveelheden voedsel.                                                 |
|                                                                                                          | De producten zijn te dicht bij elkaar geplaatst.             | Laat een gat tussen verschillende voedingsmiddelen waardoor lucht kan stromen.             |
|                                                                                                          | Een deur/lade van het apparaat zit niet goed dicht.          | Sluit de deur/lade.                                                                        |
|                                                                                                          | De deur/lade is te vaak of te lang geopend.                  | Open de deur/lade niet te vaak.                                                            |
| Het is te koud in het apparaat.                                                                          | De temperatuur is te laag ingesteld.                         | Stel de temperatuur opnieuw in.                                                            |
|                                                                                                          | De Super Freeze-functie is geactiveerd of staat te lang aan. | Schakel de Super Freeze-functie uit.                                                       |
| Vochtvorming aan de binnenkant van het koelkastgedeelte.                                                 | Het klimaat is te warm en te vochtig.                        | Verhoog de temperatuur.                                                                    |
|                                                                                                          | Een deur/lade van het apparaat zit niet goed dicht.          | Sluit de deur/lade.                                                                        |
|                                                                                                          | De deur/lade is te vaak of te lang geopend.                  | Open de deur/lade niet te vaak.                                                            |
|                                                                                                          | Voedselbakjes of vloeistoffen zijn open gelaten.             | Laat warm voedsel afkoelen tot kamertemperatuur en dek voedsel en vloeistoffen af.         |
| Vocht hoopt zich op het oppervlak aan de buitenkant van de koelkast en tussen de deuren/deur en lade op. | Het klimaat is te warm en te vochtig.                        | Dit is normaal in een vochtig klimaat en zal veranderen wanneer de luchtvochtigheid daalt. |
|                                                                                                          | De deur/lade zit niet goed dicht.                            | Zorg dat de deur/lade goed dicht zit.                                                      |
| Veel ijs en rijp in het vriezer-gedeelte.                                                                | De etenswaren zijn niet goed verpakt.                        | De etenswaren altijd goed verpakken.                                                       |
|                                                                                                          | Een deur/lade van het apparaat zit niet goed dicht.          | Sluit de deur/lade.                                                                        |



NL

|                                                                      |                                                                                          |                                                                                                        |
|----------------------------------------------------------------------|------------------------------------------------------------------------------------------|--------------------------------------------------------------------------------------------------------|
|                                                                      | De deur/lade is te vaak of te lang geopend.                                              | Open de deur/lade niet te vaak.                                                                        |
|                                                                      | De deur-/ladepakkingen zijn vuil, versleten, gebarsten of niet goed op elkaar afgestemd. | Reinig de deur-/ladepakkingen of vervang ze door nieuwe.                                               |
|                                                                      | Iets aan de binnenkant voorkomt dat de deur/lade goed kan sluiten.                       | Verplaats de planken, deurrekken of bakken aan de binnenkant zo, dat de deur/lade kan worden gesloten. |
| Het apparaat maakt afwijkende geluiden.                              | Het apparaat staat niet op een vlakke ondergrond.                                        | Stel de pootjes af om het apparaat waterpas te zetten.                                                 |
|                                                                      | Het apparaat raakt voorwerpen rondom.                                                    | Verwijder voorwerpen rondom het apparaat.                                                              |
| Er is een licht geluid te horen dat lijkt op dat van stromend water. | Dit is normaal.                                                                          | /                                                                                                      |
| U hoort een alarm-pieptoon.                                          | De deur van het koelkastgedeelte staat open.                                             | Sluit de deur of zet het alarm handmatig af.                                                           |
| U hoort een zacht gebrom.                                            | Het anticondensatiesysteem is aan het werk.                                              | Dit voorkomt condensatie en is normaal.                                                                |
| De binnenverlichting of het koelsysteem werkt niet.                  | De netstekker is niet aangesloten op het stopcontact.                                    | Steek de stekker in het stopcontact.                                                                   |
|                                                                      | De voeding is niet intact.                                                               | Controleer de elektrische voeding naar de kamer. Bel het plaatselijke elektriciteitsbedrijf!           |
|                                                                      | Het ledlampje is buiten werking.                                                         | Bel de klantenservice om het lampje te laten vervangen.                                                |
| De zijkanten van de kast en de deurstrip worden warm.                | Dit is normaal.                                                                          | /                                                                                                      |
| Er komt geen water uit de tuit van de waterdispenser.                | De vergrendeling is niet gedeactiveerd.                                                  | Deactiveer de vergrendeling.                                                                           |

### Stroomonderbreking

- ▶ In het geval van een stroomstoring, zou voedsel ongeveer 13 uur lang veilig koud moeten blijven. Volg de volgende tips tijdens een langdurige stroomstoring, vooral in de zomer.
- ▶ Open de deur/lade zo weinig mogelijk.
- ▶ Plaats geen extra voedsel in het apparaat tijdens een stroomstoring.
- ▶ Als een stroomstoring vooraf wordt aangekondigd en de onderbrekingsduur langer is dan 13 uur, maak dan ijsblokjes en zet die in een bak op de bovenste plank van het koelkastgedeelte.
- ▶ Onmiddellijk na de onderbreking is een controle van de producten vereist.
- ▶ Aangezien de temperatuur in de koelkast stijgt tijdens een stroomonderbreking of een andere storing, wordt de bewaarperiode en de eetbare kwaliteit van voedsel nadelig beïnvloedt. Alle levensmiddelen die ontdooien moeten worden gegeten, of worden bereid en daarna zo snel mogelijk opnieuw worden ingevroren (indien van toepassing) om gezondheidsrisico's te voorkomen.



#### Let op

##### Geheugenfunctie tijdens de stroomonderbreking

Na herstel van de stroom gaat het apparaat door met de instellingen die waren ingesteld voor de stroomstoring.

Ga naar onze website om contact op te nemen met de technische dienst:  
<https://corporate.haier-europe.com/en/>

Kies onder de kop 'website' het merk van uw product en uw land. U wordt doorgestuurd naar de specifieke website waar u het telefoonnummer en andere manieren kunt vinden om contact op te nemen met de technische dienst.

## Uitpakken



### WAARSCHUWING!

- ▶ Het apparaat is zwaar. Altijd hanteren met ten minste twee personen.
- ▶ Houd alle verpakkingsmaterialen buiten bereik van kinderen en gooi ze op een milieuvriendelijke manier weg.
- ▶ Haal het apparaat uit de verpakking.
- ▶ Verwijder al het verpakkingsmateriaal.

## Omgevingsomstandigheden

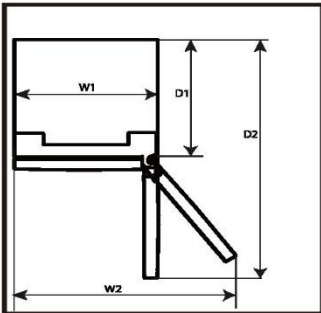
De kamertemperatuur moet altijd tussen 10°C en 43°C liggen, aangezien deze de temperatuur in het apparaat en het energieverbruik kan beïnvloeden. Installeer het apparaat niet in de buurt van andere warmtebronnen (ovens, koelkasten) zonder isolatie.

## Omkeerbaarheid van de deur

Controleer voordat het apparaat definitief wordt geïnstalleerd de juiste positie van het deurscharnier. Raadpleeg indien nodig het gedeelte **OMKEERBAARHEID VAN DE DEUR**.

## Benodigde ruimte

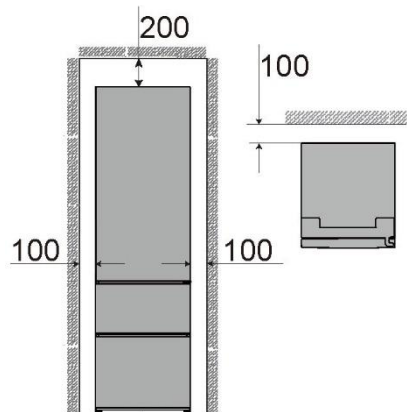
Vereiste ruimte als de deur open staat:



| Breedte van het apparaat in mm |     | Diepte van het apparaat in mm |      |
|--------------------------------|-----|-------------------------------|------|
| B1                             | B2  | D1                            | D2   |
| 595                            | 918 | 600                           | 1220 |

## Doorsnede van ventilatie

Om voor de veiligheid voldoende ventilatie van het apparaat te bereiken, moet de informatie over de vereiste ventilatiedoorsneden in acht worden genomen.



### Omkeerbaarheid van de deur

Voordat u het apparaat aansluit op de voeding, moet u controleren of de zwaai van de deur moet veranderen van rechts (zoals geleverd) naar links, als dat nodig is voor de installatieplaats en de bruikbaarheid.



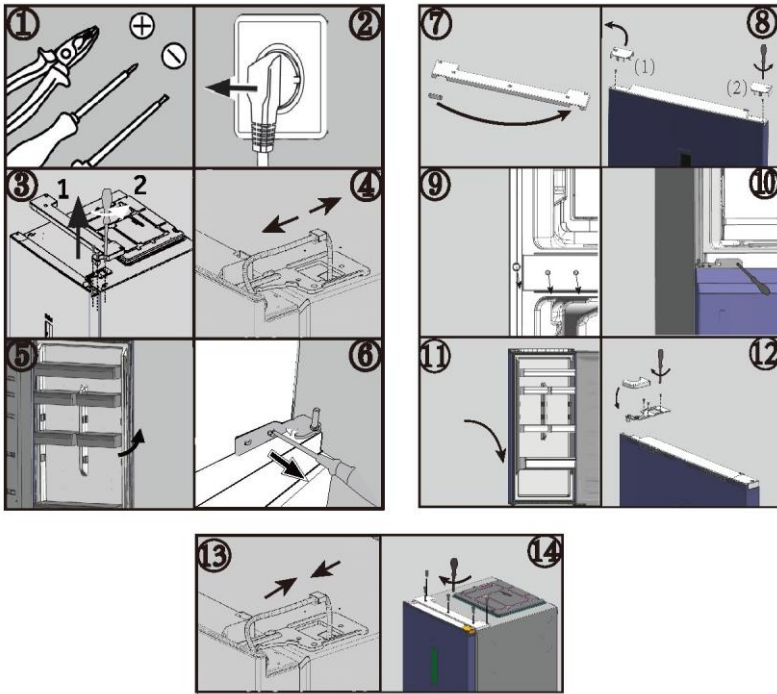
### WAARSCHUWING!

- ▶ Het apparaat is zwaar. Er zijn twee personen nodig om de deur om te keren.
- ▶ Haal de stekker van het apparaat uit het stopcontact voordat u eraan gaat werken
- ▶ Kantel het apparaat niet meer dan 45° om schade aan het koelsysteem te voorkomen.

### Montagestappen

1. Zorg voor het nodige gereedschap.
2. Haal de stekker van het apparaat uit het stopcontact.
3. Verwijder de bovenste scharnierafdekking (1) en schroef het bovenste scharnier (drie schroeven) aan de rechterkant los (2).
4. Haal de stekker uit het stopcontact
5. Til de losse koelkastdeur voorzichtig van het onderste scharnier af.
6. Verwijder het onderste scharnier van de bovenste deur.
7. Verwijder de kleine afdekking van het voorpaneel van links naar rechts.
8. Draai de deur ondersteboven en schroef de afdekking (1) los. Pak de nieuwe afdekking (2) uit het benodigde zakje en schroef het aan de tegenoverliggende zijde vast.
9. Verander de posities van de afdichtpluggen en de schroef aan de zijkant.
10. Schroef het onderste scharnier aan de linkerkant van het apparaat vast.
11. Til de bovenste deur voorzichtig op aan het onderste scharnier. Zorg ervoor dat het draaipunt in de scharnierschacht van de onderste deur past.
12. Neem het nieuwe bovenste scharnier en de scharnierafdekking uit de zak met accessoires. Steek de aansluitkabel door het bovenste scharnier en bevestig het bovenste scharnier met de drie schroeven aan de linkerkant van het apparaat. Plaats de scharnierafdekking over het scharnier.
13. Sluit de aansluitkabel aan.
14. Plaats het voorpaneel terug en zet het vast met vijf schroeven.

Controleer na de vervanging van de deur of de afdichtingen van de deur goed op de behuizing zitten en alle schroeven goed zijn vastgedraaid.



### Omgevingstemperatuur

Subnormaal: dit koelapparaat is bedoeld voor gebruik bij een omgevingstemperatuur van 10°C tot 32°C.

Normaal: dit koelapparaat is bedoeld voor gebruik bij een omgevingstemperatuur van 16°C tot 32°C.

Subtropisch: dit koelapparaat is bedoeld voor gebruik bij een omgevingstemperatuur van 16°C tot 38°C.

Tropisch: dit koelapparaat is bedoeld voor gebruik bij een omgevingstemperatuur van 16°C tot 43°C.

NL

**Productkaart volgens de verordening EU nr. 2019/2016**

Gebaseerd op de resultaten van de standaardtest gedurende 24 uur. Het werkelijke energieverbruik is afhankelijk van de manier waarop het apparaat wordt gebruikt en de plaats waar het zich bevindt.

| Handelsmerk                                                                                            | Haier               | Haier               | Haier               |
|--------------------------------------------------------------------------------------------------------|---------------------|---------------------|---------------------|
| Modelnummer                                                                                            | HTW5618DN*          | HTW5620DN*          | HTW5618DW*          |
| Categorie van het model                                                                                | Koelvriescombinatie | Koelvriescombinatie | Koelvriescombinatie |
| Energie-efficiëntieklasse                                                                              | D                   | D                   | D                   |
| Jaarlijks energieverbruik (kWh/jaar)                                                                   | 217                 | 226                 | 216                 |
| Volume koelkast (liter)                                                                                | 201                 | 255                 | 198                 |
| Vriesvolume (liter)                                                                                    | 125                 | 125                 | 125                 |
| Volume My Zone (liter)                                                                                 | 34                  | 34                  | 34                  |
| Steraanduiding                                                                                         | 4                   | 4                   | 4                   |
| Vorstvrij systeem                                                                                      | Ja                  | Ja                  | Ja                  |
| Stroomonderbreking veilig (u)/Temperatuur stijgingstijd (u)                                            | 13                  | 13                  | 13                  |
| Vriescapaciteit (kg/24 uur)                                                                            | 10                  | 10                  | 10                  |
| Klimaatklasse<br>Dit apparaat is bedoeld voor gebruik bij een omgevingstemperatuur tussen 10°C en 43°C | SN/N/ST/T           | SN/N/ST/T           | SN/N/ST/T           |
| Geluidsemisatieklasse en geluidsemisatie via de lucht (dB(A) re 1 pW)                                  | 35                  | 35                  | 35                  |



| Handelsmerk                                                                                                     | Haier               | Haier               |
|-----------------------------------------------------------------------------------------------------------------|---------------------|---------------------|
| Modelnummer                                                                                                     | HTW5618CN*          | HTW5620CN*          |
| Categorie van het model                                                                                         | Koelvriescombinatie | Koelvriescombinatie |
| Energie-efficiëntieklasse                                                                                       | C                   | C                   |
| Jaarlijks energieverbruik (kWh/jaar)                                                                            | 173                 | 181                 |
| Volume koelkast (liter)                                                                                         | 201                 | 255                 |
| Vriesvolume (liter)                                                                                             | 125                 | 125                 |
| Volume My Zone (liter)                                                                                          | 34                  | 34                  |
| Steraanduiding                                                                                                  | 4                   | 4                   |
| Vorstvrij systeem                                                                                               | Ja                  | Ja                  |
| Stroomonderbreking veilig (u)/<br>Temperatuurstijgingstijd (u)                                                  | 13                  | 13                  |
| Vriescapaciteit (kg/24 uur)                                                                                     | 10                  | 10                  |
| Klimaatklasse<br>Dit apparaat is bedoeld<br>voor gebruik bij een<br>omgevingstemperatuur<br>tussen 10°C en 43°C | SN/N/ST/T           | SN/N/ST/T           |
| Geluidsemisieklassie<br>en geluidsemisissie via<br>de lucht (dB(A) re 1 pW)                                     | 35                  | 35                  |

## Productkaart volgens de verordening EU nr. 2019/2016

Gebaseerd op de resultaten van de standaardtest gedurende 24 uur. Het werkelijke energieverbruik is afhankelijk van de manier waarop het apparaat wordt gebruikt en de plaats waar het zich bevindt.

|                                                                                                        |                     |                     |                     |
|--------------------------------------------------------------------------------------------------------|---------------------|---------------------|---------------------|
| Handelsmerk                                                                                            | Haier               | Haier               | Haier               |
| Modelnummer                                                                                            | HDPW5618DN*         | HDPW5620DN*         | HDPW5618DW*         |
| Categorie van het model                                                                                | Koelvriescombinatie | Koelvriescombinatie | Koelvriescombinatie |
| Energie-efficiëntieklasse                                                                              | D                   | D                   | D                   |
| Jaarlijks energieverbruik (kWh/jaar)                                                                   | 214                 | 220                 | 214                 |
| Volume koelkast (liter)                                                                                | 201                 | 255                 | 198                 |
| Vriesvolume (liter)                                                                                    | 117                 | 117                 | 117                 |
| Volume My Zone (liter)                                                                                 | 34                  | 34                  | 34                  |
| Steraanduiding                                                                                         | 4                   | 4                   | 4                   |
| Vorstvrij systeem                                                                                      | Ja                  | Ja                  | Ja                  |
| Stroomonderbreking veilig (u)/ Temperatuurstijgingstijd (u)                                            | 13                  | 13                  | 13                  |
| Vriescapaciteit (kg/24 uur)                                                                            | 10                  | 10                  | 10                  |
| Klimaatklasse<br>Dit apparaat is bedoeld voor gebruik bij een omgevingstemperatuur tussen 10°C en 43°C | SN/N/ST/T           | SN/N/ST/T           | SN/N/ST/T           |
| Geluidsemisatieklasse en geluidsemisatie via de lucht (dB(A) re 1 pW)                                  | 35                  | 35                  | 35                  |

| Handelsmerk                                                                                            | Haier               | Haier               | Haier               |
|--------------------------------------------------------------------------------------------------------|---------------------|---------------------|---------------------|
| Modelnummer                                                                                            | HDPW5618CN*         | HDPW5620CN*         | HDPW5620AN*         |
| Categorie van het model                                                                                | Koelvriescombinatie | Koelvriescombinatie | Koelvriescombinatie |
| Energie-efficiëntieklasse                                                                              | C                   | C                   | A                   |
| Jaarlijks energieverbruik (kWh/jaar)                                                                   | 171                 | 176                 | 114                 |
| Volume koelkast (liter)                                                                                | 201                 | 255                 | 255                 |
| Vriesvolume (liter)                                                                                    | 117                 | 117                 | 120                 |
| Volume My Zone (liter)                                                                                 | 34                  | 34                  | 34                  |
| Steraanduiding                                                                                         | 4                   | 4                   | 4                   |
| Vorstvrij systeem                                                                                      | Ja                  | Ja                  | Ja                  |
| Stroomonderbreking veilig (u)/Temperatuurstijgingstijd (u)                                             | 13                  | 13                  | 16                  |
| Vriescapaciteit (kg/24 uur)                                                                            | 10                  | 10                  | 10                  |
| Klimaatklasse<br>Dit apparaat is bedoeld voor gebruik bij een omgevingstemperatuur tussen 10°C en 43°C | SN/N/ST/T           | SN/N/ST/T           | SN/N/ST/T           |
| Geluidsemissieklasse en geluidsemissie via de lucht (dB(A) re 1 pW)                                    | 35                  | 35                  | 35                  |

## Aanvullende technische gegevens

| Modelnummer                   | HTW5618D*                           | HTW5620DN*        | HTW5618CN*        | HTW5620CN*        |
|-------------------------------|-------------------------------------|-------------------|-------------------|-------------------|
| Totaal volume (liter)         | 360<br>(357 bij<br>HTW5618DWMG(VK)) | 414               | 360               | 414               |
| Spanning/<br>frequentie       | 220-240 V ~/50 Hz                   | 220-240 V ~/50 Hz | 220-240 V ~/50 Hz | 220-240 V ~/50 Hz |
| Ingangsstroom (A)             | 1,4 A                               | 1,4 A             | 1,4 A             | 1,4 A             |
| Belangrijkste<br>zekering (A) | 16 A                                | 16 A              | 15 A              | 15 A              |
| Koelvloeistof/<br>hoeveelheid | R600a/53g                           | R600a/53g         | R600a/50g         | R600a/50g         |
| Afmetingen<br>(BxDxH in mm)   | 595x667x1850                        | 595x667x2050      | 595x667x1850      | 595x667x2050      |

| Modelnummer                   | HDPW5618D*      | HDPW5618DW*     | HDPW5620DN*     |
|-------------------------------|-----------------|-----------------|-----------------|
| Totaal volume (liter)         | 352             | 349             | 406             |
| Spanning/<br>frequentie       | 220-240 V/50 Hz | 220-240 V/50 Hz | 220-240 V/50 Hz |
| Ingangsstroom (A)             | 1,4 A           | 1,4 A           | 1,4 A           |
| Belangrijkste<br>zekering (A) | 16 A            | 16 A            | 16 A            |
| Koelvloeistof/<br>hoeveelheid | R600a/53g       | R600a/53g       | R600a/53g       |
| Afmetingen<br>(BxDxH in mm)   | 595x667x1850    | 595x667x1850    | 595x667x2050    |

| Modelnummer                   | HDPW5618CN*     | HDPW5620CN*     | HDPW5620AN*     |
|-------------------------------|-----------------|-----------------|-----------------|
| Totaal volume (liter)         | 352             | 406             | 409             |
| Spanning/<br>frequentie       | 220-240 V/50 Hz | 220-240 V/50 Hz | 220-240 V/50 Hz |
| Ingangsstroom (A)             | 1,4 A           | 1,4 A           | 1,4 A           |
| Belangrijkste<br>zekering (A) | 15 A            | 15 A            | 15 A            |
| Koelvloeistof/<br>hoeveelheid | R600a/50g       | R600a/50g       | R600a/50g       |
| Afmetingen<br>(BxDxH in mm)   | 595x667x1850    | 595x667x2050    | 595x667x2050    |

### Normen en richtlijnen

Dit product voldoet aan de eisen van alle toepasselijke EG-richtlijnen met de bijbehorende geharmoniseerde normen die voorzien in een CE-markering.

Wij adviseren onze Haier-klantenservice en het gebruik van originele onderdelen. Als u een probleem hebt met uw apparaat, controleer dan eerst het hoofdstuk **PROBLEMEN OPLOSSEN**.

Als u daar geen oplossing kunt vinden, neem dan contact op met

- ▶ uw plaatselijke dealer; of
- ▶ ons Europese service-callcentrum (zie onderstaande telefoonnummers); of
- ▶ het gedeelte Service & Support op [www.haier.com](http://www.haier.com), waar u de serviceclaim kunt activeren
- ▶ en ook veelgestelde vragen kunt vinden.

Om contact op te nemen met onze klantenservice, moet u ervoor zorgen dat u over de volgende gegevens beschikt.

De informatie is te vinden op het typeplaatje.

Model \_\_\_\_\_

Serienummer \_\_\_\_\_

Controleer ook de garantiekaart die met het product is meegeleverd in geval van garantie.

| Europees service-callcentrum |                 |                                                                                                                    |
|------------------------------|-----------------|--------------------------------------------------------------------------------------------------------------------|
| Land*                        | Telefoonnummer  | Kosten                                                                                                             |
| Haier Italy (IT)             | 199 100 912     |                                                                                                                    |
| Haier Spain (ES)             | 902 509 123     |                                                                                                                    |
| Haier Germany (DE)           | 0180 5 39 39 99 | <ul style="list-style-type: none"><li>• 14 ct/min – vaste lijn</li><li>• max. 42 ct/min – mobiel</li></ul>         |
| Haier Austria (AT)           | 0820 001 205    | <ul style="list-style-type: none"><li>• 14,53 ct/min – vaste lijn</li><li>• max. 20 ct/min – alle andere</li></ul> |
| Haier United Kingdom (UK)    | 0333 003 8122   |                                                                                                                    |
| Haier France (FR)            | 0980 406 409    |                                                                                                                    |



\*Voor andere landen verwijzen wij u naar [www.haier.com](http://www.haier.com)

Haier Europe Trading S.r.l

Branch UK

Westgate House, Westgate, Ealing

London, W5 1YY, Verenigd Koninkrijk

\*Duur van de garantie van het koelapparaat:

De minimumgarantie is: 2 jaar voor EU-landen, 3 jaar voor Turkije, 1 jaar voor het Verenigd Koninkrijk, 1 jaar voor Rusland, 3 jaar voor Zweden, 2 jaar voor Servië, 5 jaar voor Noorwegen, 1 jaar voor Marokko, 6 maanden voor Algerije, Tunesië geen wettelijke garantie vereist.

\*De beschikbaarheidsperiode van reserveonderdelen voor reparatie van het apparaat:

Thermostaten, temperatuursensoren, printplaten en lichtbronnen zijn gedurende minimaal zeven jaar na het op de markt brengen van de laatste eenheid van het model beschikbaar.

Deurgrepen, deurscharnieren, bakken en manden zijn minimaal zeven jaar en deurpakkingen minimaal 10 jaar na het in de handel brengen van de laatste eenheid van het model verkrijgbaar.

\*Raadpleeg voor meer informatie over het product <https://eprel.ec.europa.eu/> of scan de QR-code op het energielabel dat met het apparaat wordt meegeleverd.

|                             |     |
|-----------------------------|-----|
| Sikkerhetsinformasjon.....  | 544 |
| Tiltent bruk.....           | 550 |
| Produktbeskrivelse.....     | 551 |
| Kontrollpanel.....          | 557 |
| Bruk.....                   | 558 |
| Wi-Fi-bruk.....             | 563 |
| Bruk.....                   | 564 |
| Tips for energisparing..... | 567 |
| Utstyr.....                 | 568 |
| Stell og rengjøring.....    | 572 |
| Feilsøking.....             | 576 |
| Installasjon.....           | 580 |
| Tekniske data.....          | 583 |
| Kundeservice.....           | 589 |





---

**Takk for at du kjøpte et Haier-produkt.**

Les disse instruksjonene nøye før du bruker dette apparatet. Instruksjonene inneholder viktig informasjon som vil hjelpe deg å forstå apparatet bedre og sikre sikker og riktig installasjon, bruk og vedlikehold.

Oppbevar denne håndboken på et praktisk sted slik at du alltid kan se den for sikker og riktig bruk av apparatet.

Hvis du selger apparatet, gir det bort eller lar det ligge igjen når du flytter, sørg for at du også passerer denne håndboken slik at den nye eieren kan bli kjent med apparatet og sikkerhetsadvarsler ved hjelp av bruksanvisningen.



### **ADVARSEL - Viktig sikkerhetsinformasjon**



### **MERKNAD-Generell informasjon og tips**



### **Miljøinformasjon**



#### **Kassering**

Bidra til å beskytte miljøet og menneskers helse. Legg emballasjen i aktuelle beholdere for å resirkulere den. Bidra til å resirkulere avfall fra elektriske og elektroniske apparater. Ikke kast apparater merket med dette symbolet sammen med husholdningsavfallet. Returner produktet til ditt lokale resirkuleringsanlegg eller kontakt kommunekontoret.



### **ADVARSEL!**

Fare for skade eller kvelning!

Kjølemedier og gasser må kasseres på en profesjonell måte. Forsikre deg om at slangen til kjølemiddelkretsen ikke er skadet før den kastes på riktig måte. Koble apparatet fra strømmettet. Kutt av nettkabelen og kast den. Fjern skuffene og skuffene samt dørlåsen og pakningene, for å forhindre at barn og kjæledyr blir lukket i apparatet.

## Les følgende sikkerhetstips før du slår på apparatet for første gang!:



### ADVARSEL!

#### Før første gangs bruk

- ▶ Kontroller at det ikke er noen transportskade.
- ▶ Fjern all emballasje og oppbevar utilgjengelig for barn.
- ▶ Vent minst to timer før du installerer apparatet for å sikre at kjølemiddelkretsen er fullt effektiv.
- ▶ Håndter alltid apparatet med minst to personer fordi det er tungt.

#### Installasjon

- ▶ Apparatet bør plasseres på et godt ventilert sted. Sørg for en plass på minst 10 cm over og rundt apparatet.
- ▶ Plasser aldri apparatet på et fuktig sted eller et sted hvor det kan sprutes med vann. Rengjør og tørk vannsprut og flekker med en myk ren klut.
- ▶ Ikke installer apparatet i direkte sollys eller i nærheten av varmekilder (f.eks. komfyrer, varmeovner).
- ▶ Installer og juster apparatet i et område som passer for størrelse og bruk.
- ▶ Hold ventilasjonsåpningene i apparatet eller i den innebygde strukturen fri for hindringer.
- ▶ Forsikre deg om at den elektriske informasjonen på typeskiltet stemmer overens med strømforsyningen. Hvis ikke, kontakt en elektriker.
- ▶ Apparatet drives av en 220-240 VAC / 50 Hz strømforsyning. Unormal spenningsvingning kan føre til at apparatet ikke starter, eller at temperaturreguleringen eller kompressoren blir skadet, eller det kan være unormal støy under bruk. I slike tilfeller skal det monteres en automatisk regulator.
- ▶ Bruk en separat jordet stikkontakt for strømforsyningen som er lett tilgjengelig. Dette apparatet må jordes.
- ▶ Bare for Storbritannia: Apparatets strømkabel er utstyrt med 3-ledningskontakt (jording) som passer til en standard 3-ledningskontakt (jordnet). Aldri kutt av eller demonter den tredje pinnen (jording). Etter at apparatet er installert, skal støpselet være tilgjengelig.
- ▶ Ikke bruk multipluggadaptore og skjøteledninger.
- ▶ Pass på at strømkabelen ikke kommer i klem i kjøleskapet. Ikke tråkk på strømkabelen.
- ▶ Ikke skad kjølevæskekreten.
- ▶ Ikke plasser flere bærbare stikkontakter eller bærbare strømforsyninger på baksiden av apparatet.



### ADVARSEL!

#### Daglig bruk

- ▶ Dette apparatet kan brukes av barn fra 8 år og oppover og personer med reduserte fysiske, sensoriske eller mentale evner eller mangel på erfaring og kunnskap, dersom de har fått tilsyn eller instruksjoner om bruk av apparatet på en sikker måte og forstå farene involvert.
- ▶ Barn skal ikke leke med apparatet.
- ▶ Barn i alderen 3 til 8 år har lov til å laste og losse kjøleapparater, men ikke til å rengjøre og installere kjøleapparater.
- ▶ Hold barn under 3 år unna apparatet med mindre de er under tilsyn hele tiden.
- ▶ Rengjøring og vedlikehold skal ikke utføres av barn uten tilsyn.
- ▶ Apparatet må plasseres slik at støpselet er tilgjengelig.
- ▶ Hvis kjølig gass eller annen brennbar gass lekker i nærheten av apparatet, må du slå av ventilen til den lekkende gassen, åpne dørene og vinduene og ikke trekke ut støpselet i strømkabelen til kjøleskapet eller andre apparater.
- ▶ Legg merke til at apparatet er innstilt for bruk ved et spesifikt omgivelsesområde mellom 10 °C og 43 °C. Apparatet fungerer kanskje ikke som det skal hvis det blir stående i en lengre periode ved en temperatur over eller under det angitte området.
- ▶ Ikke plasser ustabile gjenstander (tunge gjenstander, beholdere fylt med vann) på toppen av kjøleskapet/fryseren, for å unngå personskafe forårsaket av fall eller elektrisk støt forårsaket av kontakt med vann.
- ▶ Ikke trekk i døryhellene. Døren kan trekkes skrått, flaskestativet kan trekkes bort, eller apparatet kan velte.
- ▶ Åpne og lukk døren kun med håndtak. Avstanden mellom døren og skapet er veldig smal. Ikke legg hendene i disse områdene for å unngå å klemme fingrene. Åpne eller lukk kjøle-/frysedørene kun når det ikke er barn som står innenfor dørens bevegelsesområde.
- ▶ Oppbevar aldri flaskeøl eller drikkevarer, væsker i flasker eller bokser (foruten høyprosent brennevin), spesielt kullsyreholdige drikker i fryseren, da disse vil sprekke under frysing.
- ▶ Ikke oppbevar eksplosive stoffer som aerosolbeholdere med brennbar drivgass i dette apparatet.

**ADVARSEL!**

- ▶ Oppbevar ikke medisiner, bakterier eller kjemiske midler i apparatet. Dette apparatet er et husholdningsapparat. Det anbefales ikke å lagre materialer som krever strenge temperaturer.
- ▶ For å unngå kontaminering av mat, vennligst respekter følgende instruksjoner:
- ▶ - Å åpne døren i lengre perioder kan føre til en betydelig økning av temperaturen i apparatets rom.
- ▶ - Rengjør jevnlig overflater som kan komme i kontakt med mat og tilgjengelige dreneringssystemer.
- ▶ - Rengjør vanntanker hvis de ikke har vært brukt på 48 timer; spyle vannsystemet koblet til en vannforsyning hvis vann ikke har blitt trukket på 5 dager.
- ▶ - Oppbevar rått kjøtt og fisk i egnede beholdere i kjøleskapet slik at det ikke kommer i kontakt med eller drypper på annen mat.
- ▶ - To-stjerners fryserom er egnet for oppbevaring av forhåndsfroyst mat, oppbevaring eller tilberedning av iskrem og til å lage isbiter.
- ▶ - En-, to- og trestjerners rom er ikke egnet for frysing av fersk mat.
- ▶ - Hvis kjøleapparatet blir stående tomt i lengre perioder, slå av, tine, rengjør, tørk og la døren stå åpen for å unngå muggutvikling inne i apparatet.
- ▶ Sjekk tilstanden til maten hvis en oppvarming i fryseren har funnet sted.
- ▶ Ikke still inn unødvendig lav temperatur i kjøleseksjonen. Minustemperaturer kan forekomme ved høye innstillinger. Obs: Flasker kan sprekke.
- ▶ Ikke berør frose varer med våte hender (bruk hansker). Spesielt ikke spis ispinner umiddelbart etter at de er tatt ut av fryseren. Det er fare for frysing eller dannelse av frostblemmer. FØRSTEHJELP: oppbevares umiddelbart under rennende kaldt vann. Ikke trekk unna!
- ▶ Ikke berør innsiden av fryseboksen når den er i bruk, spesielt med våte hender, da hendene dine kan fryse fast på overflaten.
- ▶ Koble fra apparatet i tilfelle strømbrudd eller før rengjøring. Vent minst 7 minutter før du starter apparatet på nytt, siden hyppig start kan skade kompressoren
- ▶ Ikke bruk elektriske apparater inne i matoppbevaringsrommene på apparatet, med mindre de er av typen anbefalt av produsenten



### ADVARSEL!

#### Vedlikehold/rengjøring

- ▶ Sørg for at barn er under oppsyn hvis de utfører rengjøring og vedlikehold.
- ▶ Koble apparatet fra strømforsyningen før du utfører rutinemessig vedlikehold. Vent minst 5 minutter før du starter apparatet på nytt, siden hyppig start kan skade kompressoren.
- ▶ Hold støpselet, ikke kabelen, når du kobler fra apparatet.
- ▶ Ikke rengjør apparatet med harde børster, stålbørster, vaskemiddelpulver, bensin, amylacetat, aceton og lignende organiske løsninger, sure eller alkaliske løsninger. Rengjør med spesialvaskemiddel for kjøleskap/fryser for å unngå skade. Bruk til slutt varmt vann og natronløsning - ca en spiseskje natron til en liter/liter vann. Skyll grundig med vann, og tørk av. Ikke bruk rengjøringspulver eller andre slipende rengjøringsmidler. Ikke vask avtakbare deler i oppvaskmaskin.
- ▶ Ikke skrap av frost og is med skarpe gjenstander. Ikke bruk spray, elektriske varmeovner som varmeovn, hårføner, damprensere eller andre varmekilder for å unngå skade på plastdelene.
- ▶ Ikke bruk mekaniske enheter eller andre metoder for å akselerere avrimingsprosessen, bortsett fra de som anbefales av produsenten.
- ▶ Hvis strømledningen er skadet, må den byttes ut av produsenten, serviceagenten eller tilsvarende kvalifiserte personer for å unngå fare.
- ▶ Ikke prøv å reparere, demontere eller modifisere apparatet på egen hånd. Ved reparasjon, kontakt vår kundeservice.
- ▶ Hvis lyslampene er skadet, må de skiftes ut av produsenten, dennes servicerepresentant eller tilsvarende kvalifiserte personer for å unngå fare.
- ▶ Fjern støvet på baksiden av enheten minst én gang i året for å unngå fare ved brann, samt økt energiforbruk.
- ▶ Ikke spray eller skyll apparatet under rengjøring.
- ▶ Ikke bruk vannspray eller damp for å rengjøre apparatet.
- ▶ Ikke rengjør de kalde glasshyllene eller glassdøren med varmt vann. Plutselige temperaturendringer kan føre til at glasset knuses.
- ▶ Hvis du lar apparatet stå ute av bruk i en lengre periode, la det stå åpent for å forhindre at det bygges opp lukt og ubehagelig lukt inne.

## Informasjon om kjølemiddelgass



### ADVARSEL!

Apparatet inneholder det brennbare kjølemediet ISOBUTANE (R600a). Sørg for at kjølemiddelkretsen ikke er skadet under transport eller installasjon. Kjølemiddel som lekker kan forårsake øyeskader eller antennes. Hvis det har oppstått en skade, hold åpne ildkilder unna, ventiler rommet grundig, ikke plugg eller koble fra strømledningene til apparatet eller andre apparater. Informer kundeservice.

Hvis øynene kommer i kontakt med kjølemediet, skyl det umiddelbart under rennende vann og kontakt øyespesialisten umiddelbart.

Kjølesystemet er under høyt trykk. Ikke tukle med den. Siden de brennbare kjølemediene brukes, vennligst installer, håndter og vedlikehold apparatet i henhold til instruksjonene og kontakt en profesjonell agent eller vår ettersalgsservice for å avhende apparatet.

For kjøleskap med isvannsfunksjon, vær oppmerksom på følgende advarsel:

- For apparater som ikke er ment å kobles til vannforsyningen: fyll kun med bærbart vann.
- For apparater som er beregnet på å kobles til vannforsyningen: kobles kun til drikkevannsforsyningen.
- Hvis du ønsker å rengjøre vannsystemet, se brukerhåndboken. Hvis du har spørsmål, kontakt ettersalgsservicen.

### Tiltenkt bruk

Dette apparatet er beregnet for kjøling og frysing av mat. Det er designet eksklusivt for bruk i husholdninger og lignende applikasjoner som personalkjøkkenområder i butikker, kontorer og andre arbeidsmiljøer; gårdshus og av kunder i hoteller, moteller og andre boligmiljøer, samt i bed-and-breakfast og cateringvirksomhet. Den er ikke beregnet for kommersiell eller industriell bruk. Endringer eller modifikasjoner på enheten er ikke tillatt. Utsiktet bruk kan forårsake farer og tap av garantikrav.

### Standarder og direktiver og

Dette produktet oppfyller kravene i alle gjeldende EC-direktiver med tilsvarende harmoniserte standarder og britiske standarder, som sørger for CE- og UKCA-merking.

### Tilbehør

Sjekk tilbehøret og litteraturen i henhold til denne listen:



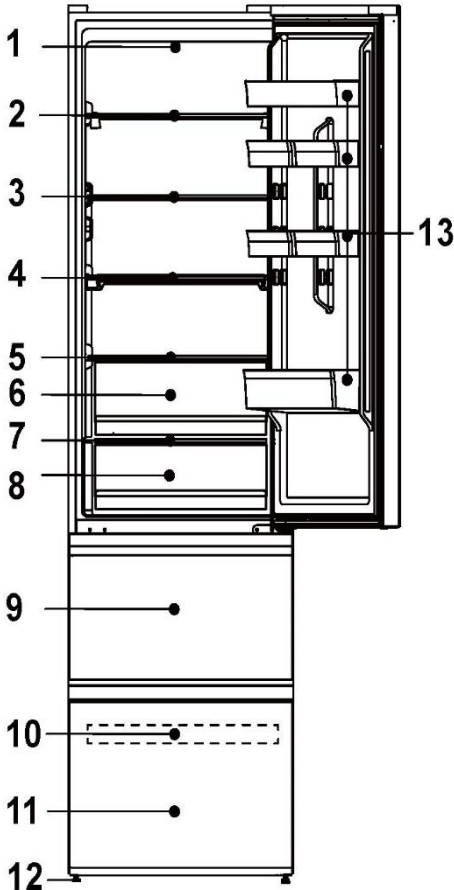
### OBS

På grunn av tekniske endringer og forskjellige modeller kan noen av illustrasjonene i denne håndboken avvike fra din modell.



**i** OBS

På grunn av tekniske endringer og forskjellige modeller, kan noen av illustrasjonene i denne håndboken avvike fra modell.(HTW5620\*N\*)

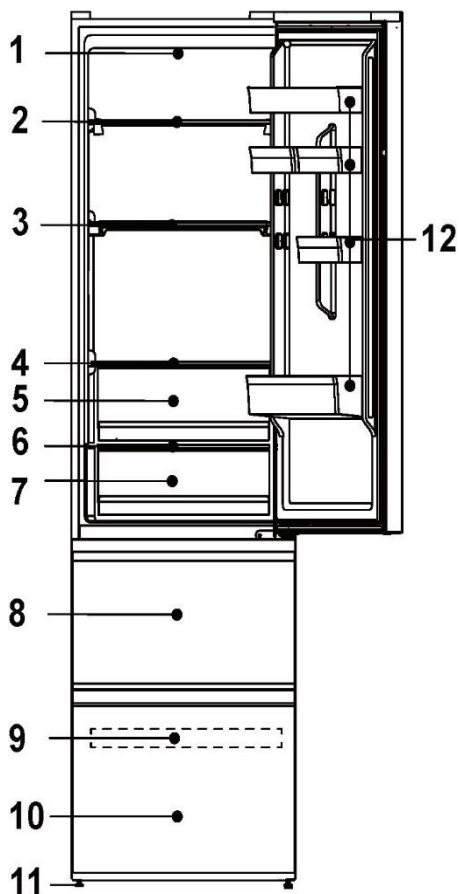


- 1-Kjøleskap LED-lampe
- 2-Vinstativ
- 3-Glasshylle
- 4-Sammenleggbar hylle
- 5-Humidity Zone-bokseksle
- 6-Humidity Zone-boks
- 7-My Zone-bokseksle
- 8-My Zone-boks
- 9-Øvre fryseskuff
- 10-Frysebrett
- 11-Nedre fryseskuff
- 12-Justerbare føtter
- 13-Dørbalkong

NO

**i** OBS

På grunn av tekniske endringer og forskjellige modeller, kan noen av illustrasjonene i denne håndboken avvike fra modell.(HTW5618\*N\*)

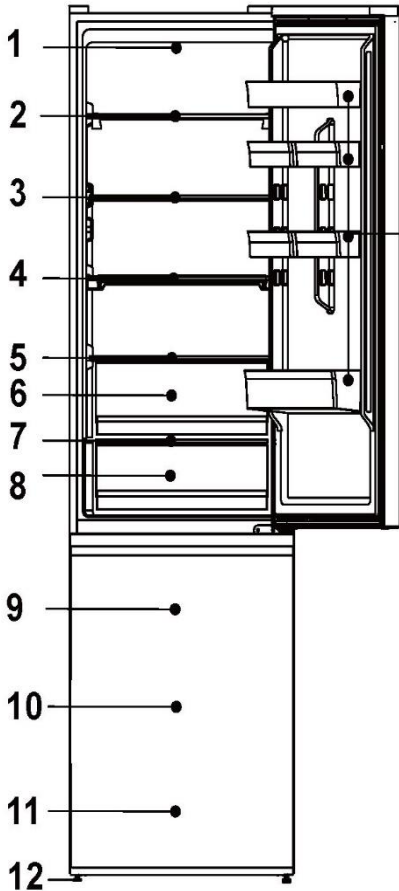


- 1-Kjøleskap LED-lampe
- 2-Vinstativ
- 3-Sammenleggbare hylle
- 4-Humidity Zone-boksdekslet
- 5-Humidity Zone-boks
- 6-My Zone-boksdekslet
- 7-My Zone-boks
- 8-Øvre fryseskuff
- 9-Frysebrett
- 10-Nedre fryseskuff
- 11-Justerbare føtter
- 12-Dørbalkong

NO

**i** OBS

På grunn av tekniske endringer og forskjellige modeller kan noen av illustrasjonene i denne håndboken avvike fra modell.(HDPW5620\*N\*)

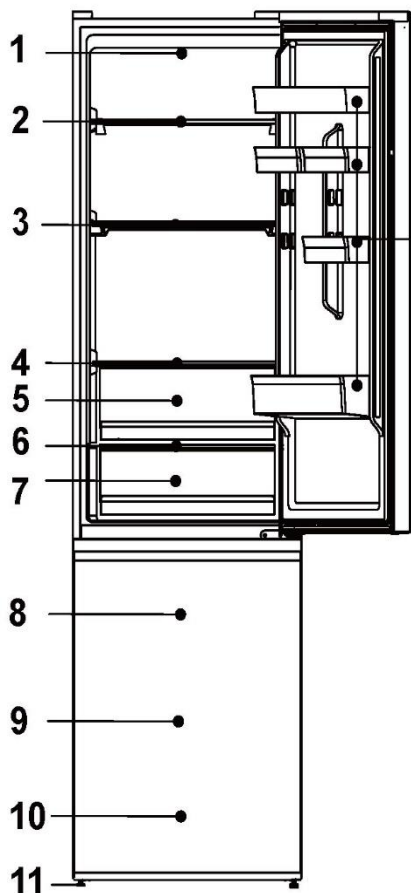


- 1-Kjøleskap LED-lampe
- 2-Vinstativ
- 3-Glasshyll
- 4-Sammenleggbar hylle
- 5-Humidity Zone-bokselelet
- 6-Humidity Zone-boks
- 7-My Zone-bokselelet
- 8-My Zone-boks
- 9-Øvre fryseskuff
- 10-Oppbevaringsskuff i midten av fryseren
- 11-Nedre fryseskuff
- 12-Justerbare føtter
- 13-Dørbalkong

NO

**i** OBS

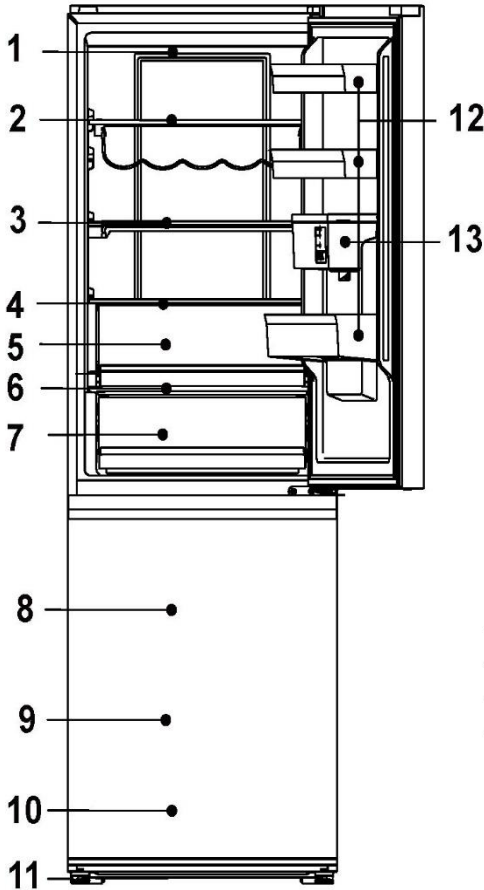
På grunn av tekniske endringer og forskjellige modeller, kan noen av illustrasjonene i denne håndboken avvike fra modell.(HDPW5618\*N\*)



- 1-Kjøleskap LED-lampe
- 2-Vinstativ
- 3-Sammenleggbar hylle
- 4-Humidity Zone-boksekslet
- 5-Humidity Zone-boks
- 6-My Zone-boksekslet
- 7-My Zone-boks
- 8-Øvre fryseskuff
- 9-Oppbevaringsskuff i midten av fryseren
- 10-Nedre fryseskuff
- 11-Justerbare føtter
- 12-Dørbalkong

**i** OBS

På grunn av tekniske endringer og forskjellige modeller, kan noen av illustrasjonene i denne håndboken avvike fra modell.(HDPW5618DW\*)

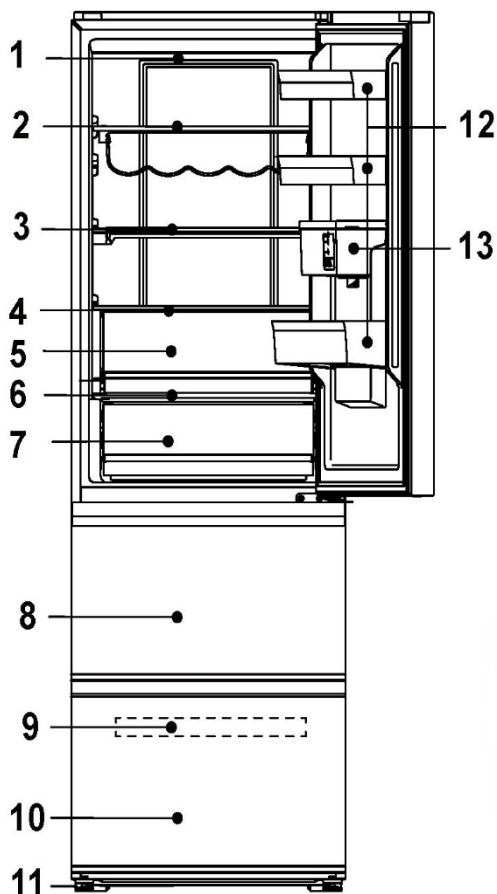


- 1-Kjøleskap LED-lampe
- 2-Vinstativ
- 3-Sammenleggbare hylle
- 4-Humidity Zone-boksdekslet
- 5-Humidity Zone-boks
- 6-My Zone-boksdekslet
- 7-My Zone-boks
- 8-Øvre fryseskuff
- 9-Oppbevaringsskuff i midten av fryseren
- 10-Nedre fryseskuff
- 11-Justerbare føtter
- 12-Dørbalkong
- 13-Vanntank

NO

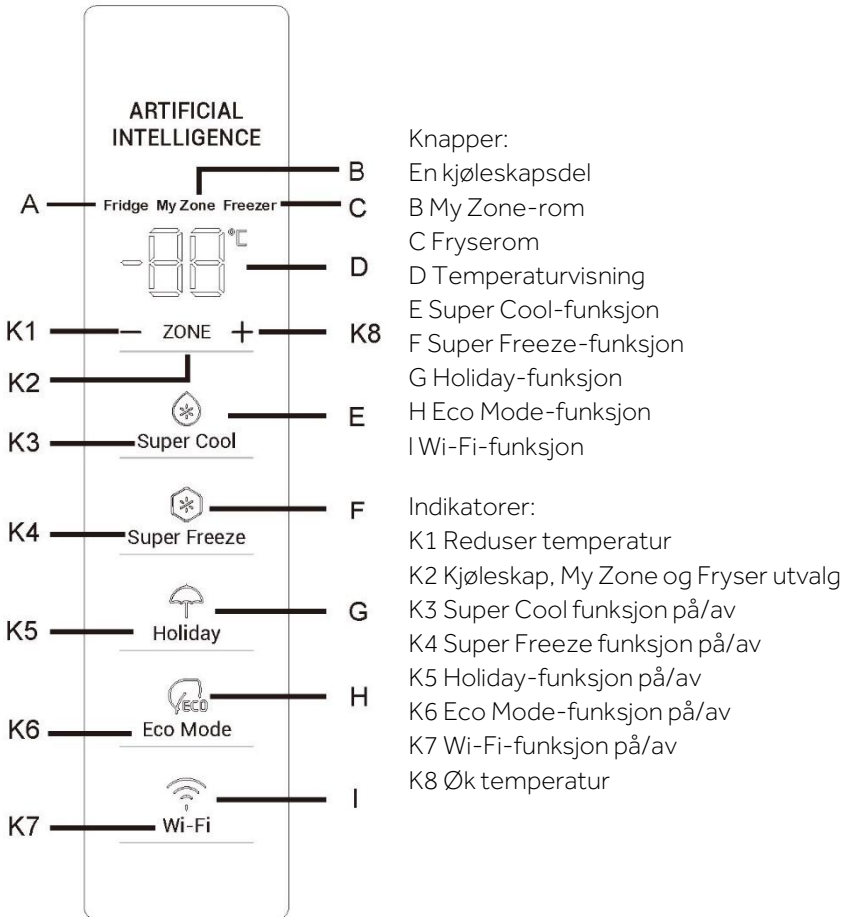
**i** OBS

På grunn av tekniske endringer og forskjellige modeller, kan noen av illustrasjonene i denne håndboken avvike fra modell.(HTW5618DW\*)



- 1-Kjøleskap LED-lampe
- 2-Vinstativ
- 3-Sammenleggbar hylle
- 4-Humidity Zone-boksekslet
- 5-Humidity Zone-boks
- 6-My Zone-boksekslet
- 7-My Zone-boks
- 8-Øvre fryseskuff
- 9-Frysebrett
- 10-Nedre fryseskuff
- 11-Justerbare føtter
- 12-Dørbalkong
- 13-Vanntank

## Kontrollpanel



## Før første gangs bruk

Fjern all emballasje, oppbevar den utenfor barns rekkevidde og kast den på en miljøvennlig måte.

Rengjør innsiden og utsiden av apparatet samt interiøret og tilbehøret med vann og et mildt rengjøringsmiddel, og tørk det godt med en myk klut.

Etter at apparatet er nivellert og rengjort, vennligst vent i minst 2 timer før du kobler det til strømforsyningen. Se avsnitt **INSTALLASJON**.

Forkjøøl rommene ved høye innstillinger før du fyller med mat. Funksjonen Super Freeze hjelper til med å kjøle ned frysedelen raskt

## Sensortaster

Knappene på kontrollpanelet er sensortaster, som allerede reagerer ved lett berøring med fingeren.

## Slå på/av apparatet

Apparatet er i drift så snart det er koblet til strømforsyningen.

Når apparatet slås på for første gang, viser temperaturindikatorerne "D" forhåndsinnstillingsverdiene (se merknaden nedenfor).

NO

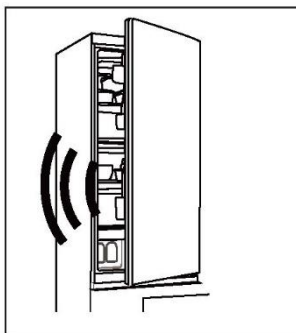
### **i** OBS

Apparatet er forhåndsinnstilt til anbefalt temperatur på 5°C (kjøleskap) og -18°C (fryser). My Zone-temperatur er forhåndsinnstilt til ca. 2°C. Dette er de anbefalte innstillingene. Hvis du ønsker det, kan du endre temperaturen manuelt.

## Døråpningsalarm

Når kjøleskapsdøren er åpen i mer enn 3 minutter, vil døråpningsalarmen høres.

Alarmen kan dempes ved å lukke døren. Hvis døren er åpen i mer enn 7 minutter, vil lyset inne i kjøleskapet og kontrollpanelets belysning automatisk slå seg av.



Juster temperaturen

Innendørstemperaturene påvirkes av følgende faktorer:

Omgivelsestemperatur

Hyppighet av døråpning

Mengde lagret mat

Installasjon av apparatet



## Juster temperaturen for kjøleskapet

1. Trykk på tasten "K2" (Kjøleskap/ (My Zone)/ Fryservalg) for å velge kjøleseksjonen. Ikon "A" (kjøleskap) og "D" (temperaturvisning) lyser.
2. Trykk på tasten "K1/K8" for å stille inn kjøleskapstemperaturen. Temperaturen øker i sekvenser på 1°C, fra minimum 2°C til maksimalt 8°C. Den optimale temperaturen i kjøleskapet er 5°C. Kaldere temperaturer betyr unødvendig energiforbruk.
3. Etter ca. 5 sekunder vil temperaturikonet "D" (temperaturvisning) lyse permanent og innstillingen er bekreftet.

### OBS

Fra appen er det mulig å tilpasse temperaturen for både kjøleskap og fryser. Temperaturen kan stilles inn med 1 °C-følsomhet.

## Juster temperaturen for fryseren

1. Trykk på berøringstasten "K2" (Kjøleskap/ (My Zone)/ Fryservalg) for å velge fryseseksjonen °C-ikonet "C" (Fryserommet) og "D" (Temperaturvisning) lyser.
2. Trykk på berøringstasten "K1/K8" for å stille inn frysertemperaturen. Temperaturen øker i sekvenser på 1°C, fra minimum -24°C til maksimum -16°C. Den optimale temperaturen i kjøleskapet er -18. Kaldere temperaturer betyr unødvendig energiforbruk.
3. Etter ca. 5 sekunder vil temperaturindikator "D" (temperaturdisplay) lyse permanent og innstillingen bekreftes.

### OBS

Etter innstilling av temperaturen, hvis andre taster trykkes inn innen 5 sekunder, vil gjeldende temperaturinnstilling bekreftes umiddelbart. Hvis ingen tasteoperasjon utføres innen 5 sekunder, vises den gjeldende innstilte temperaturen til skjermen slukkes.

## Juster temperaturen for My Zone

Kjølerommet er utstyrt med en My Zone-boks. I samsvar med kravene til oppbevaring av mat, kan den mest passende temperaturen velges for å få den optimale næringsverdien til matvarene.

1. Trykk på tasten "K2" (kjøleskap/ (My Zone)/ fryser valg) for å velge My Zone-rommet. Ikonet "B" (My Zone-rom) og "D" (temperaturdisplay) lyser. Det kan også velges fra appen.
2. Trykk på berøringstasten "K1/K8" for å stille inn My Zone-temperaturen. Temperaturen kan også justeres på appen.

Temperaturen øker i sekvenser på 1°C, fra minimum 0°C til maksimalt 5°C.

3. Etter ca. 5 sekunder vil temperaturikonet "D" (temperaturvisning) lyse permanent og innstillingen er bekreftet.

### OBS

1. Du kan stille inn temperaturen på My Zone-rommet på mellomnivået (2°C), for å bevare maten i det optimale oppbevaringsmiljøet.
2. På grunn av ulikt vanninnhold i kjøtt vil noe kjøtt med høyere fuktighet fryses ved temperaturer lavere enn 0°C, så «umiddelbart oppskåret» kjøtt bør oppbevares i My Zone-boksen, med minimumstemperatur 0°C.
3. Kuldefølsom frukt som ananas, avokado, bananer, grapefrukt og grønnsaker som poteter, auberginer, bønner, agurker, zucchini og tomater og ost bør ikke oppbevares i My Zone-boksen.
4. Hvis kjøleskapstemperaturen er lavere enn My Zone-temperatur, er det normalt at My Zone-temperaturen er lavere enn innstillingstemperaturen for My Zone.

## Super-Cool-funksjon

1. Det anbefales å slå på Super Cool-funksjonen hvis større mengde mat skal lagres (for eksempel etter kjøpet). Super Cool-funksjonen akselererer nedkjølingen av fersk mat og beskytter maten som allerede er lagret mot uønsket oppvarming.
2. Trykk på tasten "K3" eller slå den på fra appen, ikonet "E" (Super Cool funksjon) lyser og funksjonen er aktivert.

**i** OBS

1. Apparatet går ut av "Super Cool-funksjonen" etter å ha gått inn i "Super Cool-funksjonen" i 6 timer eller trykket på tasten "K3" når ikonet "E" (Super Cool-funksjonen) lyser, eller slå den av fra appen.
2. I tilstanden Super Cool, hvis temperaturen i kjøleskapet er justert, blinker ikonet "E" (Super Cool-funksjonen) for å indikere at denne operasjonen ikke kan utføres.

**Super-Frz-funksjon**

1. Fersk mat bør fryses så raskt som mulig til kjernen. Dette kan bevare den beste næringsverdien, utseendet og smaken. Super Freeze-funksjonen akselererer frysingen av fersk mat og beskytter maten som allerede er lagret mot uønsket oppvarming. Hvis du trenger å fryse store mengder mat på en gang, anbefales det å sette Super Freeze-funksjonen på i 24 timer før bruk av frosset rom.
2. Trykk på tasten "K4" (innstilling for Super Freeze-funksjon) eller slå den på fra appen, ikonet "F" (Super Freeze-funksjon) lyser og funksjonen er aktivert.

**i** OBS

1. Apparatet avslutter "Super Freeze-funksjonen" etter å ha gått inn i "Super Freeze-funksjonen" i 50 timer eller trykket på knappen "K4" når ikonet "F" (Super Freeze-funksjon) lyser, eller slå det av fra appen.
2. I tilstanden Super Freeze, hvis temperaturen i fryseseksjonen er justert, blinker ikonet "F" (Super Freeze-funksjon) for å indikere at denne operasjonen ikke kan utføres.

**Holiday-funksjon**

Holiday-funksjon kan brukes til å redusere energiforbruket til apparatet, når det ikke brukes regelmessig. Når funksjonen er på, skrus kjøleskapet på, mens fryseren vil fortsette å fungere normalt. Funksjonen setter kjøleskapstemperaturen permanent til 17°C.

Dette gjør det mulig å holde døren til det tomme kjøleskapet lukket uten å forårsake lukt eller mugg ved langvarig fravær (f.eks. i ferie). Frysedelen er ledig for din innstilling.

1. Trykk på tasten "K5" (Holiday-funksjon på/av) eller velg funksjonen fra appen, ikonet "G" (Holiday-funksjon) lyser og funksjonen er aktivert.
2. Funksjonen kan deaktiveres ved å trykke på tasten "K5" (Holiday-funksjon på/av) igjen eller ved å stille inn kjøleskapstemperaturen eller ved å utføre en annen innstilling, eller slå den av fra appen.

## OBS

1. Under Holiday-funksjonen bør ingen mat oppbevares i kjøleskapet. Temperaturen på + 17°C er for høy for oppbevaring av mat.
2. Når feriefunksjonen er på, forblir My Zone-ikonet av og kjøleskapsfunksjonen er låst. Hvis temperaturen i kjøleskapet justeres, blinker ikonet "G" (Holiday-funksjon) for å indikere at denne operasjonen ikke kan utføres.

## Eco Mode-funksjon

Øko-modus kan aktiveres for å optimalisere ytelsen til apparatet, mens det får den beste lagringen av mat. Hvis du ikke har noen spesielle krav, anbefaler vi at du bruker Eco Mode-funksjonen.

Denne modusen er kjøleskapstemperaturen 5°C, frysetemperaturen er -18°C.






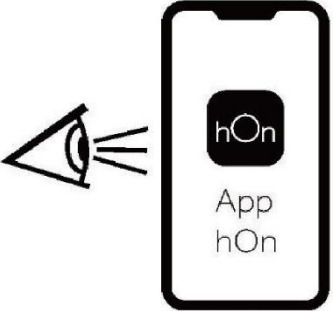
1. Trykk på tasten "K6" (Eco Mode-funksjon på/av) eller velg funksjonen fra appen.
2. Ikonet "H" (Eco Mode-funksjon) lyser og funksjonen er aktivert.

Ved å gjenta trinnene ovenfor eller velge en annen funksjon eller slå av appen, kan denne funksjonen slås av igjen. De tidligere innstilte kjølenivåene gjenopprettes.

## OBS

Under Eco Mode-funksjonen, hvis temperaturen i kjøleskapet/frysedelen er justert, blinker ikonet "H" (Eco Mode-funksjonen) for å indikere at denne operasjonen ikke kan utføres.

Trinn 1 Last ned hOn-appen fra butikkene.

|                                                                                                                                                                                                                                                                                                                                         |                                                                                                                                              |
|-----------------------------------------------------------------------------------------------------------------------------------------------------------------------------------------------------------------------------------------------------------------------------------------------------------------------------------------|----------------------------------------------------------------------------------------------------------------------------------------------|
|     |                                                                                                                                              |
| <p>Trinn 2 Opprett din konto i hOn-appen eller logg på hvis du allerede har en konto.</p>                                                                                                                                                              | <p>Trinn 3 Følg instruksjonene for paring i hOn-appen.</p>  |

NO

## Wi-Fi-funksjon

1. Følg instruksjonene i appen for å konfigurere Wi-Fi.
2. Når Wi-Fi er konfigurert og tilkoblingen opprettet, er Wi-Fi-ikonet "I" lyst og fast.
3. Hvis Wi-Fi allerede er konfigurert, kobles det automatisk til igjen i henhold til konfigurasjonsinformasjonen hvis Wi-Fi slås på.

### **i** OBS

1. For å slå av Wi-Fi, trykk på Wi-Fi-tasten "K7" og Wi-Fi-ikonet "I" slås av.
2. For å slå på Wi-Fi og starte konfigureringen, trykk på Wi-Fi-tasten "K7" og Wi-Fi-ikonet "I" begynner å blinke sakte. Hvis du vil konfigurere Wi-Fi-funksjonen, trykker du på tasten "K7" i 3 sek, Wi-Fi-ikonet blinker raskt og går inn i konfigurasjonsmodus. Hvis du vil slå av Wi-Fi-funksjonen, trykk på tasten "K7" én gang. Trinnene ovenfor gjentas.
3. Hvis produktet er konfigurert og Wi-Fi-funksjonen var slått av, vil ikke kjøleskapet gå inn i konfigurasjonsmodus når det er koblet til strømmen igjen

### **i** OBS

1. Dette produktet er ikke beregnet for kommersiell bruk.
2. Maks RF-utgangseffekt: 2,4 GHz Wi-Fi: 16dBm;
3. Bluetooth LE:5dBm; Bluetooth(BR/EDR):10dBm.
4. Frekvensbånd for drift: 2400-2483,5 MHz.

## Oppbevaring i kjøleskapet

Hold kjøleskapstemperaturen under 5 °C.

Varm mat må avkjøles til romtemperatur før den lagres i apparatet.

Mat som er lagret i kjøleskapet, bør vaskes og tørkes før oppbevaring.

Mat som skal oppbevares bør være forsvarlig forseglet for å unngå lukt- eller smaksendringer.

Ikke oppbevar for store mengder mat. La det være mellomrom mellom matvarene slik at kald luft kan strøomme rundt dem, for en bedre og mer homogen avkjøling.

Mat som spises daglig bør oppbevares foran på hyllen.

La det være et gap mellom maten og de indre veggene, slik at luften kan strøomme. På noen måte, ikke oppbevar matvarer mot bakveggen: matvarer kan fryse mot bakveggen. Unngå direkte kontakt av mat (spesielt fet eller sur mat) med innerliner, da olje/syre kan erodere innerliner. Rens bort oljeaktig/surt smuss når det blir funnet.

Frossen mat kan avkjøles forsiktig i kjøleskapet. Dette sparer energi.

Aldringsprosessen til frukt og grønnsaker som courgettis, meloner, papaya, bananer, ananas osv. kan fremskyndes i kjøleskapet. Derfor anbefales det ikke å oppbevare dem i kjøleskapet. Modningen av sterkt grønne frukter kan imidlertid fremmes for en viss periode. Løk, hvitløk, ingefær og andre rotgrønnsaker bør også oppbevares ved romtemperatur.

Ubehagelig lukt inne i kjøleskapet er et tegn på at noe har sølt og rengjøring er nødvendig. Se Stell og rengjøring.

Ulike matvarer bør plasseres i forskjellige områder i henhold til deres egenskaper.

## Oppbevaring i fryseren

Hold frysertemperaturen på -18 °C.

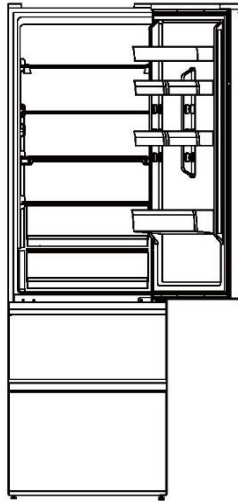
Slå på Super-Freeze-funksjonen 24 timer før frysing. For små mengder mat er 4-6 timer tilstrekkelig.

Varm mat må avkjøles til romtemperatur før oppbevaring i fryseseksjonen.

Mat kuttet i små porsjoner vil fryse raskere, og vil være lettere å tine og tilberede. Den anbefalte vekten for hver porsjon er mindre enn 2,5 kg

Det er bedre å pakke mat før du legger den i fryseren. Utsiden av emballasjen må være tørr for å unngå at poser klitrer seg sammen. Emballasjematerialer skal være luktfritt, lufttett, ikke-giftig og ikke-giftig.

For å unngå utløp av lagringsperioder, vær oppmerksom på frysedato, tidsbegrensning og navn på maten på emballasjen i henhold til oppbevaringsperioder for ulike matvarer.



## ADVARSEL!

- ▶ Syre, alkali og salt etc. kan erodere den indre overflaten av fryseren.
- ▶ Ikke plasser maten med disse stoffene (f.eks. sjøfisk) direkte på den indre overflaten. Saltvann i fryseren bør ryddes opp umiddelbart.
- ▶ Ikke overskrid matens lagringstid, som anbefalt av produsentene. Ta bare den nødvendige mengden mat ut av fryseren.
- ▶ Spis tint mat raskt. Tint mat kan ikke fryses på nytt med mindre den først er tilberedt, ellers kan den være mindre spiselig.
- ▶ Ikke legg for store mengder fersk mat i fryseseksjonen. Se fryserens frysekapasitet - Se TEKNISKE DATA eller data på typeskiltet.
- ▶ Mat kan oppbevares i fryseren ved en temperatur på minst  $-18^{\circ}\text{C}$  i 2 til 12 måneder, avhengig av egenskapene (f.eks. kjøtt: 3-12 måneder, grønnsaker: 6-12 måneder)
- ▶ Når du fryser fersk mat, unngå å bringe dem i kontakt med allerede frosset mat. Fare for tining!

### Når du oppbevarer kommersielt frosset mat, følg disse retningslinjene:

Følg alltid produsentens retningslinjer for hvor lenge du bør oppbevare mat. Ikke overskrid disse retningslinjene!

Prøv å holde tiden mellom kjøp og lagring så kort som mulig for å bevare matkvaliteten.

Kjøp frosset mat som har vært lagret ved en temperatur på  $-18^{\circ}\text{C}$  eller lavere.

Unngå å kjøpe mat som har is eller frost på emballasjen - Dette indikerer at produktene kan ha blitt delvis tint og frosset ned på et tidspunkt når temperaturen stiger påvirker kvaliteten på maten.

## Vanndispenser

Med vanndispenseren kan kaldt drikkevann tappes.

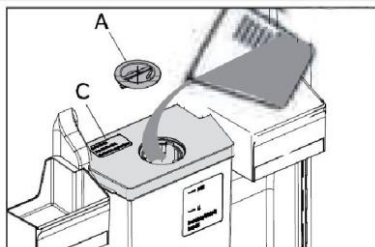
Vanntanken bør rengjøres før første gangs bruk (se STELL OG RENGJØRING).

### Fylle vanntanken

#### ADVARSEL!

► Bruk kun drikkevann.

1. Sørg for at vanntanken er riktig satt inn (se UTSTYR)
2. Drei og løft det runde lokket (A) og hell ferskt drikkevann i vanntanken (Fig.5.10.1).
3. Fyll kun vann opp til merket (2,5 L); da det kan renne over når døren åpnes og lukkes.
4. Lukk det runde lokket (A) til det klikker på plass.



#### OBS

1. Apparatet går ut av "Super Cool-funksjonen" etter å ha gått inn i "Super Cool-funksjonen" i 6 timer eller trykket på tasten "K3" når ikonet "E" (Super Cool-funksjonen) lyser, eller slå den av fra appen.
2. I tilstanden Super Cool, hvis temperaturen i kjøleskapet er justert, blinker ikonet "E" (Super Cool-funksjonen) for å indikere at denne operasjonen ikke kan utføres.



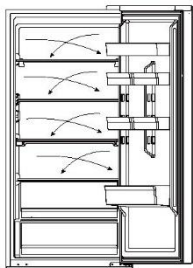


### Energisparetips

- ▶ Sørg for at apparatet er skikkelig ventilert (se INSTALLASJON).
- ▶ Ikke installer apparatet i direkte sollys eller i nærheten av varmekilder (f.eks. komfyrer, varmeovner).
- ▶ Unngå unødvendig lav temperatur i apparatet. Energiforbruket øker med synking av den innstilte temperaturen i apparatet.
- ▶ Funksjoner som SUPER FREEZE bruker mer energi.
- ▶ La varm mat avkjøles før du plasserer den i apparatet.
- ▶ Åpne apparatdøren så lite og kort som mulig.
- ▶ Ikke overfyll apparatet for å unngå å hindre luftstrømmen.
- ▶ Unngå luft i matemballasjen.
- ▶ Hold dørpakninger rene slik at døren alltid lukkes riktig.
- ▶ Frys frossen mat i kjøleskapsoppbevaringsrommet eller bruk D-Frost-funksjonen i My Zone-boksen.
- ▶ Den mest energibesparende konfigurasjonen krever at skuff, matboks og hyller plasseres i apparatet i en fabrikkfri tilstand, og at mat plasseres uten å blokkere luftløpet til kanalen.

**i** Obs

På grunn av ulike modeller kan det hende at produktet ikke har alle de følgende funksjonene. Vennligst se kapittel Produktbeskrivelse.1.

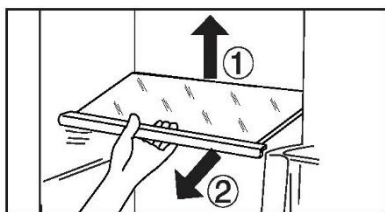


**Multi-luftstrøm**

Kjøleskapet er utstyrt med et multi-air-flow-system, med hvilket kjøleluftstrømmer er plassert på hvert hyllnivå. Dette bidrar til å opprettholde en jevn temperatur for å sikre at maten holdes ferskere lenger

**Justerbare hyller**

1. Høyden på hyllene kan justeres for å passe dine oppbevaringsbehov.
2. For å flytte en hylle, fjern den først ved å løfte bakkanten ① og trekker den ut ②.
3. For å installere den igjen, sett den på tappene på begge sider og skyv den til bakerste posisjon til baksiden av hyllen er festet inne i sporene i sidene.



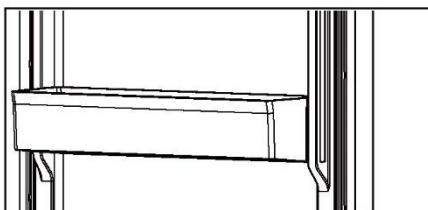
**i** Obs

Sørg for at alle ender av en hylle er i vater.

**Avtakbar dør balkong**

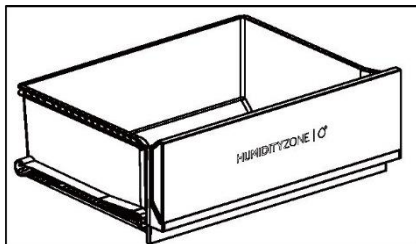
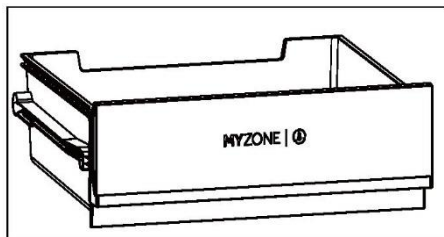
Dørbalkongen kan tas av for rengjøring:

Plasser hendene på hver side av balkongen, løft den oppover (1) og trekk den ut (2). For å sette inn dørbalkongen, utføres trinnene ovenfor i omvendt rekkefølge.



## My Zone-boks

For bruk og innstilling av My Zone-rommet, vennligst se avsnittet BRUK (My Zone).



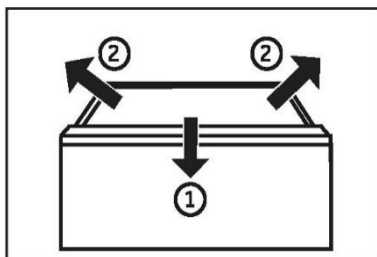
## Humidity Zone-boks

I dette rommet styres fuktighetsnivået automatisk av systemet, og det er egnet for oppbevaring av frukt, grønnsaker, salater etc.

### Avtakbar skuff

For å fjerne skuffen fra kjøleskapet eller fryseseksjonen, trekk den maksimalt ut (1), løft og fjern (2).

For å sette inn skuffen, utføres trinnene ovenfor i omvendt rekkefølge.



## Fryseskuff

Fryseskuffen kan trekkes ut rett og fullstendig. De er montert på lettrull teleskopskinne. Slik at du kan lagre og fjerne frysevaren komfortabelt. På grunn av den automatiske dørlukkingsmekanismen er håndteringen enkel og du kan spare energi.

**ADVARSEL!**

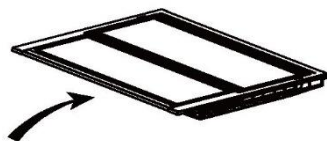
Ikke overbelast skuffene: Maksimal belastning av hver skuff: 35 kg!

**Lyset**

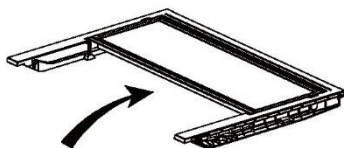
LED-innvendig lys tennes når døren er åpen. Ytelsen til lysene påvirkes ikke av andre apparatinnstillinger.

**Sammenleggbare hyller**

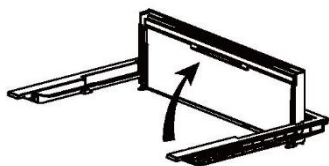
De sammenleggbare hyllene lar brukeren sette høye flasker eller gjenstander på hyllene. Hyllene kan slås sammen bak og ledig plass på den nederste hyllen blir større. Hyllen kan brettes etter trinn 1-3. Hvis du ønsker å gå tilbake til den opprinnelige plasseringen, reverser følgende prosedyrer.



Trinn 1: Skyv forsiden av hyllen sakte til enden.



Trinn 2: Skyv hyllen sakte oppover til dens vertikale plassering.



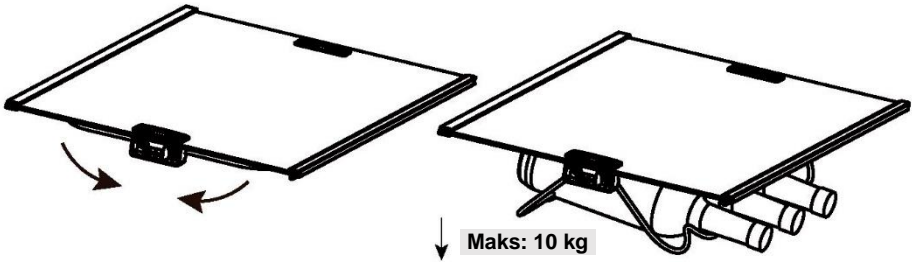
Trinn 3: Hyllen er vertikal. Det vil spare plass.

## Sammenleggbart flaskestativ

For vanlig bruk

1. Trekk ned brakettene til flaskestativet
2. Sett flaskene inn i stativet

Når den ikke er i bruk, kan flaskestativet foldes tilbake for å spare plass.



NO

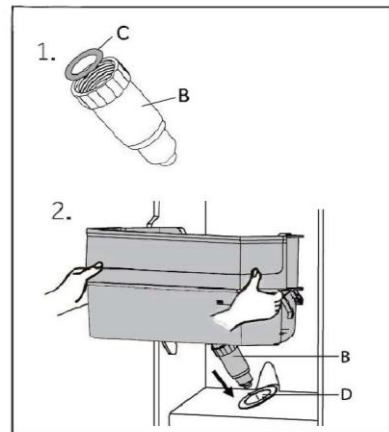
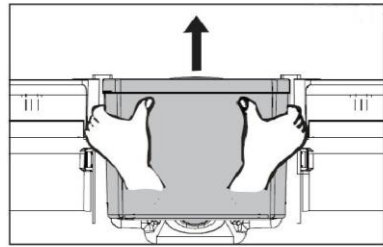
## Vanntank

### Fjern vanntanken

Vanntanken kan tas av og settes på igjen for rengjøring på samme måte som dørhyllene.

### Sett inn vanntanken

1. Sørg for at dispensertuten (B) er godt skrudd til vanntanken og at den hvite O-ringen (C) er på plass.
2. Plasser vannbeholderen i den posisjonen at dispensertuten (B) passer inn i åpningen til døren (D).



### **i** Obs

- ▶ Sørg for at tuten er godt skrudd til vanntanken og at den hvite O-ringen (C) er på plass.
- ▶ Hvis vanntanken ikke er riktig satt inn, kan det dryppe vann fra tilkoblingen.
- ▶ Ikke bruk overdreven kraft når du fjerner eller installerer vanntanken, for å unngå å skade tanken.



### ADVARSEL!

Koble apparatet fra strømforsyningen før rengjøring.

### Rengjøring

Rengjør apparatet når bare lite eller ingen mat er lagret.

Apparatet bør rengjøres hver fjerde uke for godt vedlikehold og for å forhindre dårlig matlagring.



### ADVARSEL!

- ▶ Ikke rengjør apparatet med harde børster, stålbørster, vaskemiddelpulver, bensin, amylacetat, aceton og lignende organiske løsninger, sure eller alkaliske løsninger. Rengjør med spesielt kjøleskapsvaskemiddel for å unngå skade.
- ▶ Ikke spray eller skylle apparatet under rengjøring.
- ▶ Ikke bruk vannspray eller damp for å rengjøre apparatet.
- ▶ Ikke rengjør de kalde glasshyllene med varmt vann. Plutselig temperaturendring kan føre til at glasset knekker.
- ▶ Ikke berør innsiden av fryserommet, spesielt med våte hender, siden hendene dine kan fryse fast på overflaten.
- ▶ Ved oppvarming kontroller tilstanden til frosne varer.



- ▶ Hold alltid dørpakningen ren.
- ▶ Rengjør innsiden og huset til apparatet med en svamp fuktet i varmt vann og nøytralt rengjøringsmiddel.
- ▶ 1. Skrubbe innsiden og utsiden av kjøleskapet, inkludert dørforsegling, dørhulle, glasshyller, bokser og så videre, med et mykt håndkle eller svamp dyppet i varmt vann (du kan tilsette nøytralt vaskemiddel i det varme vannet).
- ▶ 2. Hvis det er sølt væske, fjern alle de forurensede delene, skylle direkte med strømningsvannet, tørk og sett den tilbake i kjøleskapet.
- ▶ 3. Hvis det er sølt krem (som krem, smeltende is krem), fjern alle de forurensede delene, legg i varmt vann med ca. 40 °C i en stund, skylle deretter med flytevannet, tørk og legg det tilbake i kjøleskapet.
- ▶ 4. I tilfelle en liten del eller komponent setter seg fast inne i kjøleskapet (mellom hyller eller skuffer), bruk en liten myk børste for å frigjøre den. Hvis du ikke kunne nå delen, kontakt Haier-service
- ▶ Skylle og tørk med en myk klut.
- ▶ Ikke rengjør deler av apparatet i oppvaskmaskin.
- ▶ La det gå minst fem minutter før du starter apparatet på nytt, ettersom hyppig start kan skade kompressoren.

### Avriming

Avrimingen av kjøleskapet og fryseseksjonen gjøres automatisk; ingen manuell betjening er nødvendig.

## Bytte av LED-lamper

**ADVARSEL!**

Ikke skift ut LED-lampen selv, den må kun skiftes av enten produsenten eller en autorisert serviceagent.

Lampene bruker LED som lyskilde, med lavt energiforbruk og lang levetid. Hvis det er noe unormalt, vennligst kontakt kundeservice. Se KUNDESERVICE.

Parametre til lampene:

| Del                     | LED-lampe |
|-------------------------|-----------|
| Spenning i V            | 12 V      |
| Maks effekt i W         | 1,5W      |
| LED-spes                | Hvit-2835 |
| LED effektivitetsklasse | G         |
| Brukstemperatur         | -40-80°C  |

**Ikke brukt over lengre tid**

Hvis apparatet ikke skal brukes over en lengre periode, og du ikke vil bruke Holiday-funksjonen til kjøleskapet:

Ta ut maten.

Trekk ut strømleningen.

Rengjør apparatet som beskrevet ovenfor.

Hold dørene åpne for å forhindre dannelse av vond lukt inne.

**Obs**

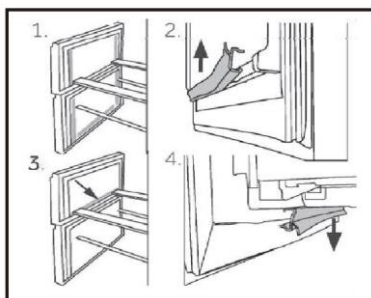
Slå av apparatet kun hvis det er strengt nødvendig.

### Avtakbare ekstra dørpakninger

Det er seks ekstra dørpakninger på den øvre og nedre fryseskuffen.

1. Finn de fem indikerte dørpakningene på den øvre og nedre fryseskuffen.
2. Pass på at de bøyde skivene av pakningene peker innover mens du fester.
3. Finn den nedre pakningen på den øvre skuffen som vist.
4. Pass på at den bøyde delen av denne pakningen peker nedover mens den festes.

Disse pakningene samt svingdøren/skuffepakningene får du via kundeservice (se garantikort).



### Flytte apparatet

1. Fjern all mat og trekk ut stikkontakten.
2. Fest hyller og andre bevegelige deler i kjøleskapet og fryseren med teip.
3. Ikke vipp kjøleskapet mer enn 45° for å unngå å skade kjølesystemet.



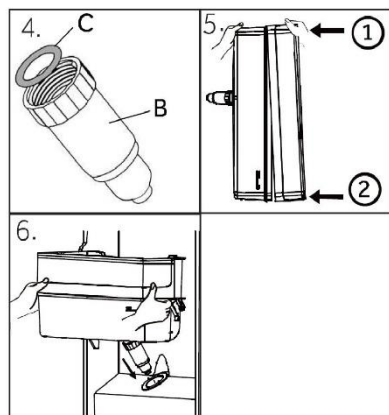
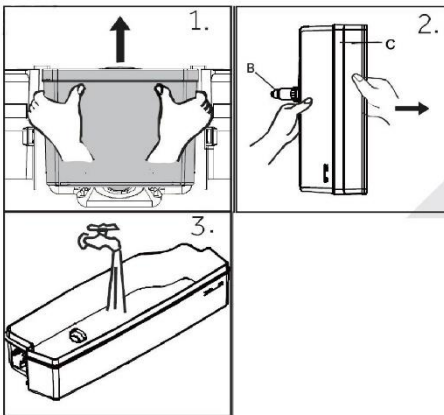
### ADVARSEL!

- ▶ Ikke løft apparatet i håndtakene.
- ▶ Plasser aldri apparatet horisontalt på bakken.



## Rengjøring av vanntanken

1. Ta vannbeholderen ut av apparatet.
2. Fjern dekselet (C) og skru forsiktig ut dispensertuten (B).
3. Rengjør vanntanken og dispensertuten med varmt rennende vann og flytende oppvaskmiddel. Sørg for at all såpe er skylt av
4. Monter dispensertuten (B) og pass på at den er skrudd godt til vanntanken og den hvite O-ringen (C) er på plass.
5. Trykker på dekselet for å kombinere det med den ene siden av vanntanken og deretter den andre siden, sjekk at vanntanken og dekselet er ferdig montert.
6. Skift ut tanken inne i apparatet. Sørg for at dispensertuten er satt riktig inn i hullet i døren.



### Obs

- ▶ Hvis vanntanken ikke er riktig satt inn, kan det dryppe vann fra tilkoblingen.
- ▶ Ikke bruk overdreven kraft når du fjerner eller installerer vanntanken, for å unngå å skade tanken.

Mange oppståtte problemer kan løses av deg selv uten spesifikk ekspertise. I tilfelle et problem, sjekk alle viste muligheter og følg instruksjonene nedenfor før du kontakter en ettersalgsservice. Se KUNDESERVICE.



### ADVARSEL!

- ▶ Før vedlikehold, deaktiver apparatet og trekk støpselet ut av stikkontakten.
- ▶ Elektrisk utstyr skal kun vedlikeholdes av kvalifiserte elektroeksperter, fordi feilaktige reparasjoner kan forårsake betydelige følgeskader.
- ▶ En skadet forsyning bør kun erstattes av produsenten, dennes serviceagent eller lignende kvalifiserte personer for å unngå fare.

### Feilsøkingstabell

| Problem                                              | Mulig årsak                                                       | Mulig løsning                                                                                                                                |
|------------------------------------------------------|-------------------------------------------------------------------|----------------------------------------------------------------------------------------------------------------------------------------------|
| Kompressoren fungerer ikke.                          | Støpselet er ikke koblet til stikkontakten.                       | Koble til hovedstøpselet.                                                                                                                    |
|                                                      | Apparatet er i avrimingsyklusen.                                  | Dette er normalt for en automatisk tining.                                                                                                   |
| Apparatet går ofte eller går i for lang tid.         | Inne- eller utendørstemperaturen er for høy.                      | I dette tilfellet er det normalt at apparatet går lenger.                                                                                    |
|                                                      | Apparatet har vært avslått i en periode.                          | Normalt tar det 8 til 12 timer før apparatet har kjølt seg helt ned.                                                                         |
|                                                      | En dør/skuff til apparatet er ikke tett lukket.                   | Lukk døren/skuffen og sørg for at apparatet er plassert på et jevnt underlag og at det ikke er mat eller beholdere som skurrer i døren.      |
|                                                      | Døren/skuffen har vært åpnet for ofte eller for lenge.            | Ikke åpne døren/skuffen for ofte.                                                                                                            |
|                                                      | Temperaturinnstillingen for fryseseksjonen er for lav.            | Still inn temperaturen høyere til en tilfredsstillende kjøleskapstemperatur oppnås. Det tar 24 timer før kjøleskapstemperaturen blir stabil. |
|                                                      | Dør-/skuffepakningen er skitten, slitt, sprukket eller feilaktig. | Rengjør dør-/skuffepakningen eller bytt dem gjennom kundeservice.                                                                            |
|                                                      | Den nødvendige luftsirkulasjonen er ikke garantert.               | Sørg for tilstrekkelig ventilasjon.                                                                                                          |
| Innsiden av kjøleskapet er skittent og/eller lukter. | Innsiden av kjøleskapet trenger rengjøring.                       | Rengjør innsiden av kjøleskapet.                                                                                                             |
|                                                      | Mat med sterk lukt oppbevares i kjøleskapet.                      | Pakk inn maten grundig.                                                                                                                      |

|                                                                              |                                                                   |                                                                                     |
|------------------------------------------------------------------------------|-------------------------------------------------------------------|-------------------------------------------------------------------------------------|
| Det er ikke kaldt nok inne i apparatet.                                      | Temperaturen er satt for høyt.                                    | Tilbakestill temperaturen                                                           |
|                                                                              | For varm mat har blitt lagret.                                    | Avkjøl alltid maten før du oppbevarer dem.                                          |
|                                                                              | For mye mat har blitt lagret på en gang.                          | Oppbevar alltid små mengder mat.                                                    |
|                                                                              | Maten er for nær hverandre.                                       | La det være et mellomrom mellom flere matvarer slik at luften kan strømme.          |
|                                                                              | En dør/skuff til apparatet er ikke tett lukket.                   | Lukk døren/skuffen.                                                                 |
|                                                                              | Døren/skuffen har vært åpnet for ofte eller for lenge.            | Ikke åpne døren/skuffen for ofte.                                                   |
| Det er for kaldt inne i apparatet.                                           | Temperaturen er satt for lavt.                                    | Tilbakestill temperaturen.                                                          |
|                                                                              | Super Freeze-funksjonen er aktivert eller kjører for lenge.       | Slå av Super Freeze-funksjonen.                                                     |
| Det dannes fuktighet på innsiden av kjøle-seksjonen.                         | Klimaet er for varmt og for fuktig.                               | Øk temperaturen.                                                                    |
|                                                                              | En dør/skuff til apparatet er ikke tett lukket.                   | Lukk døren/skuffen.                                                                 |
|                                                                              | Døren/skuffen har vært åpnet for ofte eller for lenge.            | Ikke åpne døren/skuffen for ofte.                                                   |
|                                                                              | Matbeholdere eller væsker står åpne.                              | La varm mat avkjøles til romtemperatur og dekk til mat og væske.                    |
| Fuktighet samler seg på kjøleskapets utside eller mellom dører/dør og skuff. | Klimaet er for varmt og for fuktig.                               | Dette er normalt i fuktig klima og vil endre seg når luftfuktigheten synker.        |
|                                                                              | Døren/skuffen er ikke tett lukket.                                | Sørg for at døren/skuffen er tett lukket.                                           |
| Sterk is og frost i frysedelen.                                              | Maten var ikke tilstrekkelig pakket.                              | Pakk alltid matvarene godt.                                                         |
|                                                                              | En dør/skuff til apparatet er ikke tett lukket.                   | Lukk døren/skuffen.                                                                 |
|                                                                              | Døren/skuffen har vært åpnet for ofte eller for lenge.            | Ikke åpne døren/skuffen for ofte.                                                   |
|                                                                              | Dør-/skuffepakningen er skitten, slitt, sprukket eller feilaktig. | Rengjør dør-/skuffepakningen eller bytt dem ut med nye.                             |
|                                                                              | Noe på innsiden hindrer døren/skuffen i å lukke eiendom.          | Flytt hyllene, dørhyllene eller innvendige beholdere for å la døren/skuffen lukkes. |

## Feilsøking

|                                                      |                                                  |                                                                            |
|------------------------------------------------------|--------------------------------------------------|----------------------------------------------------------------------------|
| Apparatet lager unormale lyder.                      | Apparatet er ikke plassert på jevnt underlag.    | Juster føttene for å nivellere apparatet.                                  |
|                                                      | Apparatet berører en gjenstand rundt seg.        | Fjern gjenstander rundt apparatet.                                         |
| En svak lyd kan høres som ligner på rennende vann.   | Dette er normalt.                                | /                                                                          |
| Du vil høre en alarm pipe.                           | Døren til kjøleskapet er åpen.                   | Lukk døren eller slå av alarmen manuelt.                                   |
| Du vil nærme deg en svak summing.                    | Anti-kondenssystemet fungerer.                   | Dette forhindrer kondens og er normalt.                                    |
| Innvendig belysning eller kjølesystem fungerer ikke. | Hovedstøpselet er ikke koblet til hovedkontakten | Koble til hovedstøpselet.                                                  |
|                                                      | Strømforsyningen er ikke intakt.                 | Kontroller strømforsyningen til rommet.<br>Ring det lokale strømselskapet! |
|                                                      | LED-lampen er ute av drift.                      | Ring service for bytte av lampe.                                           |
| Sidene på skapet og dørlisten blir varme.            | Dette er normalt.                                | /                                                                          |
| Det kommer ikke vann ut av vanndispenserutløpet      | Låsen er ikke deaktivert.                        | Deaktiver låsen                                                            |

## Strømbrudd

- ▶ I tilfelle strømbrudd skal maten holde seg kald i ca. 13 timer. Følg disse tipsene under et lengre strømbrudd, spesielt om sommeren.
- ▶ Åpne døren/skuffen så få ganger som mulig.
- ▶ Ikke legg ekstra mat i apparatet under strømbrudd.
- ▶ Hvis det er gitt forhåndsvarsel om strømbrudd og avbruddsvarigheten er lengre enn 13 timer, lag noen isbiter og legg dem i en beholder på øverste hylle i kjøleskapet.
- ▶ En inspeksjon av matvarene er nødvendig umiddelbart etter avbruddet.
- ▶ Ettersom temperaturen i kjøleskapet vil stige under et strømbrudd eller annen feil, vil lagringsperioden og spiselig kvalitet på maten reduseres. All mat som tines bør enten konsumeres eller kokes og fryses ned (der det er egnet) like etterpå for å forhindre helseisiko.



### Obs

#### Minnefunksjon under strømbrudd

Etter gjenoppretting av strøm fortsetter apparatet med innstillingene som ble angitt før strømbruddet.

For å kontakte teknisk assistanse, besøk nettstedet vårt:  
<https://corporate.haier-europe.com/en/>

Under avsnittet "nettsted" velger du merket til produktet og landet ditt. Du vil bli omdirigert til den spesifikke nettsiden hvor du kan finne telefonnummeret og andre måter å kontakte teknisk assistanse på.

## Pakke ut



### ADVARSEL!

- ▶ Apparatet er tungt. Håndter alltid med minst to personer.
- ▶ Oppbevar alt emballasjemateriale utenfor barns rekkevidde og kast dem på en miljøvennlig måte.
- ▶ Ta apparatet ut av emballasjen.
- ▶ Fjern alt emballasjemateriale.

## Miljøforhold

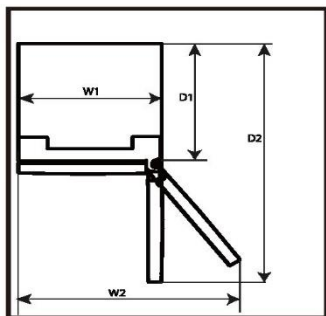
Romtemperaturen bør alltid være mellom 10 °C og 43 °C, siden det kan påvirke temperaturen inne i apparatet og energiforbruket. Ikke installer apparatet i nærheten av andre varmeavgivende apparater (ovner, kjøleskap) uten isolasjon.

## Dør-reversibilitet

Før apparatet er permanent installert, kontroller riktig posisjon av dørhengslet. Om nødvendig, se avsnittet DØR REVERSIBILITET

## Plassbehov

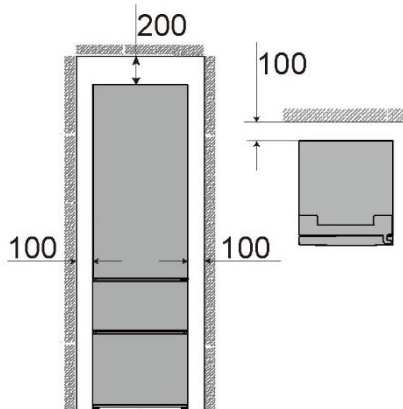
Nødvendig plass når døren åpnes:



| Apparatets bredde i mm |     | Apparatets dybde i mm |      |
|------------------------|-----|-----------------------|------|
| W1                     | W2  | D1                    | D2   |
| 595                    | 918 | 600                   | 1220 |

## Ventilasjonsvernsnitt

For å oppnå tilstrekkelig ventilasjon av apparatet av sikkerhetsgrunner, må informasjonen om de nødvendige ventilasjonsvernsnittene følges.



## Dør-reversibilitet

Før du kobler apparatet til strømforsyningen, bør du sjekke om dørsvingen må endres fra høyre (som levert) til venstre, hvis dette er nødvendig av installasjonsstedet og brukervennligheten.



### ADVARSEL!

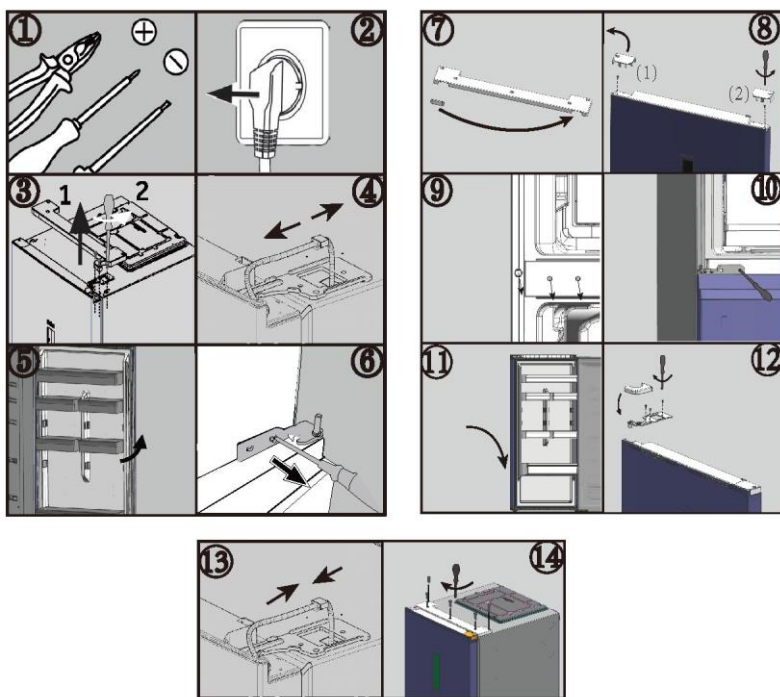
- ▶ Apparatet er tungt. Du trenger to personer for å utføre dørens vendbarhet.
- ▶ Koble apparatet fra strømnettet før enhver operasjon
- ▶ Ikke vipp apparatet mer enn 45°C for å unngå skade på kjølesystemet.

NO

## Monteringstrinn

1. Gi nødvendig verktøy.
2. Koble fra apparatet.
3. Fjern det øvre hengseldekselet (1) og skru av det øvre hengselet (tre skruer) på høyre side (2).
4. Trekk ut tilkoblingskabelen
5. Løft den løse kjøleskapsdøren forsiktig av det nedre hengslet.
6. Fjern det nedre hengslet på den øvre døren
7. Fjern det lille dekselet på frontpanelet fra venstre til høyre side.
8. Snu døren opp ned og skru av dekselet (1). Ta ut det nye dekselet (2) fra den nødvendige posen og skru dem til motsatt side.
9. Endre plasseringen av blindpluggene og skruen på siden.
10. Skru det nedre hengslet til venstre side av apparatet.
11. Løft den øvre døren forsiktig på det nedre hengselet. Og sørg for at dreietappen passer inn i hengselrøret på den nedre døren.
12. Ta ut det nye øvre hengselet og hengseldekselet fra tilbehørsposen. Sett tilkoblingskabelen gjennom det øvre hengslet og fest det øvre hengslet med tre skruer på venstre side av apparatet. Og legg hengseldekselet over hengslet.
13. Plugg inn tilkoblingskabelen.
14. Bytt frontpanelet og fest det med fem skruer.

Etter bytte av dør, sjekk om dørpakningene er riktig plassert på huset og alle skruene er godt strammet.



## Omgivelsestemperaturer

Utvidet temperert: dette kjøleapparatet er beregnet for bruk ved omgivelsestemperaturer fra 10 °C til 32 °C

Temperert: dette kjøleapparatet er beregnet for bruk ved omgivelsestemperaturer fra 16°C til 32°C;

Subtropisk: dette kjøleapparatet er beregnet for bruk ved omgivelsestemperaturer fra 16°C til 38°C;

Tropisk: "dette kjøleapparatet er ment å brukes ved omgivelsestemperaturer fra 16°C til 43°C.



**Produktblad i henhold til forordning EU nr. 2019/2016**

Basert på standard testresultater i 24 timer. Faktisk energiforbruk vil avhenge av hvordan apparatet brukes og hvor det er plassert

| Varemerke                                                                                           | Haier            | Haier            | Haier            |
|-----------------------------------------------------------------------------------------------------|------------------|------------------|------------------|
| Modellidentifikator                                                                                 | HTW5618DN*       | HTW5620DN*       | HTW5618DW*       |
| Kategori av modellen                                                                                | Kjøleskap-fryser | Kjøleskap-fryser | Kjøleskap-fryser |
| Energieffektivitetsklasse                                                                           | D                | D                | D                |
| Årlig energiforbruk (KWh/år)                                                                        | 217              | 226              | 216              |
| Volum kjøleskap (L)                                                                                 | 201              | 255              | 198              |
| Volumfrysing (L)                                                                                    | 125              | 125              | 125              |
| Volum My Zone(L)                                                                                    | 34               | 34               | 34               |
| stjernerangering                                                                                    | 4                | 4                | 4                |
| Frostfritt system                                                                                   | Ja               | Ja               | Ja               |
| Sikkert strøbrudd(t)/<br>Temperaturøkningstid(t)                                                    | 13               | 13               | 13               |
| Frysekapasitet (kg/24t)                                                                             | 10               | 10               | 10               |
| Klimaklasse<br>Dette apparatet er beregnet for bruk ved en omgivelsestemperatur mellom 10°C og 43°C | SN/N/ST/T        | SN/N/ST/T        | SN/N/ST/T        |
| Støyutslippklasse og luftbåren akustisk støyutslipp (dB(A) re 1 pW)                                 | 35               | 35               | 35               |

## Tekniske data

| Varemerke                                                                                                   | Haier            | Haier            |
|-------------------------------------------------------------------------------------------------------------|------------------|------------------|
| Modellidentifikator                                                                                         | HTW5618CN*       | HTW5620CN*       |
| Kategori av modellen                                                                                        | Kjøleskap-fryser | Kjøleskap-fryser |
| Energieffektivitetsklasse                                                                                   | C                | C                |
| Årlig energiforbruk (kWh/år)                                                                                | 173              | 181              |
| Volum kjøleskap (L)                                                                                         | 201              | 255              |
| Volumfrysing (L)                                                                                            | 125              | 125              |
| Volum My Zone(L)                                                                                            | 34               | 34               |
| stjernerangering                                                                                            | 4                | 4                |
| Frostfritt system                                                                                           | Ja               | Ja               |
| Sikkert strøbrudd(t)/<br>Temperaturestigetid(t)                                                             | 13               | 13               |
| Frysekapasitet (kg/24t)                                                                                     | 10               | 10               |
| Klimaklasse<br>Dette apparatet er beregnet<br>for bruk ved en omgivelsestem-<br>peratur mellom 10°C og 43°C | SN/N/ST/T        | SN/N/ST/T        |
| Støyemisjonsklasse og luftbåren<br>akustisk støyutslipp<br>(dB(A) re 1 pW)                                  | 35               | 35               |

**Produktblad i henhold til forordning EU nr. 2019/2016**

Basert på standard testresultater i 24 timer. Faktisk energiforbruk vil avhenge av hvordan apparatet brukes og hvor det er plassert

| Varemerke                                                                                           | Haier            | Haier            | Haier            |
|-----------------------------------------------------------------------------------------------------|------------------|------------------|------------------|
| Modellidentifikator                                                                                 | HDPW5618DN*      | HDPW5620DN*      | HDPW5618DW*      |
| Kategori av modellen                                                                                | Kjøleskap-fryser | Kjøleskap-fryser | Kjøleskap-fryser |
| Energieffektivitetstetsklasse                                                                       | D                | D                | D                |
| Årlig energiforbruk (KWh/år)                                                                        | 214              | 220              | 214              |
| Volum kjøleskap (L)                                                                                 | 201              | 255              | 198              |
| Volumfrysing (L)                                                                                    | 117              | 117              | 117              |
| Volum My Zone(L)                                                                                    | 34               | 34               | 34               |
| stjernerangering                                                                                    | 4                | 4                | 4                |
| Frostfritt system                                                                                   | Ja               | Ja               | Ja               |
| Sikkert strøbrudd(t)/<br>Temperaturøkningstid(t)                                                    | 13               | 13               | 13               |
| Frysekapasitet (kg/24t)                                                                             | 10               | 10               | 10               |
| Klimaklasse<br>Dette apparatet er beregnet for bruk ved en omgivelsestemperatur mellom 10°C og 43°C | SN/N/ST/T        | SN/N/ST/T        | SN/N/ST/T        |
| Støyutslippklasse og luftbåren akustisk støyutslipp (dB(A) re 1 pW)                                 | 35               | 35               | 35               |

## Tekniske data

| Varemerke                                                                                           | Haier            | Haier            | Haier            |
|-----------------------------------------------------------------------------------------------------|------------------|------------------|------------------|
| Modellidentifikator                                                                                 | HDPW5618CN*      | HDPW5620CN*      | HDPW5620AN*      |
| Kategori av modellen                                                                                | Kjøleskap-fryser | Kjøleskap-fryser | Kjøleskap-fryser |
| Energieffektivitetsklasse                                                                           | C                | C                | A                |
| Årlig energiforbruk (KWh/år)                                                                        | 171              | 176              | 114              |
| Volum kjøleskap (L)                                                                                 | 201              | 255              | 255              |
| Volumfrysing (L)                                                                                    | 117              | 117              | 120              |
| Volum My Zone(L)                                                                                    | 34               | 34               | 34               |
| stjernerangering                                                                                    | 4                | 4                | 4                |
| Frostfritt system                                                                                   | Ja               | Ja               | Ja               |
| Sikkert strømbrudd(t)/<br>Temperaturøkningstid(t)                                                   | 13               | 13               | 16               |
| Frysekapasitet (kg/24t)                                                                             | 10               | 10               | 10               |
| Klimaklasse<br>Dette apparatet er beregnet for bruk ved en omgivelsestemperatur mellom 10°C og 43°C | SN/N/ST/T        | SN/N/ST/T        | SN/N/ST/T        |
| Støyutslippsklasse og luftbåren akustisk støyutslipp (dB(A) re 1 pW)                                | 35               | 35               | 35               |

## Ytterligere tekniske data

| Modellidentifikator         | HTW5618D*                            | HTW5620DN*    | HTW5618CN*    | HTW5620CN*    |
|-----------------------------|--------------------------------------|---------------|---------------|---------------|
| Totalt volum (L)            | 360<br>(357 for<br>HTW5618DWMG (UK)) | 414           | 360           | 414           |
| Spenning/<br>frekvens       | 220-240V/50Hz                        | 220-240V/50Hz | 220-240V/50Hz | 220-240V/50Hz |
| inngangsstrøm (A)           | 1,4A                                 | 1,4A          | 1,4A          | 1,4A          |
| Hovedsikring (A)            | 16A                                  | 16A           | 15A           | 15A           |
| Kjølevæske/<br>mengde       | R600a/53g                            | R600a/53g     | R600a/50g     | R600a/50g     |
| Dimensjoner<br>(B/D/H i mm) | 595/667/1850                         | 595/667/2050  | 595/667/1850  | 595/667/2050  |

NO

| Modellidentifikator         | HDPW5618D*   | HDPW5618DW*  | HDPW5620DN*  |
|-----------------------------|--------------|--------------|--------------|
| Totalt volum (L)            | 352          | 349          | 406          |
| Spenning/<br>frekvens       | 220-240/50Hz | 220-240/50Hz | 220-240/50Hz |
| inngangs-<br>strøm (A)      | 1,4A         | 1,4A         | 1,4A         |
| Hovedsikring (A)            | 16A          | 16A          | 16A          |
| Kjølevæske/<br>mengde       | R600a/53g    | R600a/53g    | R600a/53g    |
| Dimensjoner<br>(B/D/H i mm) | 595/667/1850 | 595/667/1850 | 595/667/2050 |

| Modellidentifikator         | HDPW5618CN*  | HDPW5620CN*  | HDPW5620AN*  |
|-----------------------------|--------------|--------------|--------------|
| Totalt volum (L)            | 352          | 406          | 409          |
| Spenning/<br>frekvens       | 220-240/50Hz | 220-240/50Hz | 220-240/50Hz |
| inngangsstrøm (A)           | 1,4A         | 1,4A         | 1,4A         |
| Hovedsikring (A)            | 15A          | 15A          | 15A          |
| Kjølevæske/<br>mengde       | R600a/50g    | R600a/50g    | R600a/50g    |
| Dimensjoner<br>(B/D/H i mm) | 595/667/1850 | 595/667/2050 | 595/667/2050 |

### Standarder og direktiver

Dette produktet oppfyller kravene i alle gjeldende EU-direktiver med de tilsvarende harmoniserte standardene, som sørger for CE-merking.

Vi anbefaler vår Haier-kundeservice og bruk av originale reservedeler.  
Hvis du har et problem med apparatet, sjekk først avsnittet FEILSØKING.

Hvis du ikke finner en løsning der, ta kontakt

- ▶ din lokale forhandler eller
- ▶ vårt European Call Service-Center (se oppførte telefonnumre nedenfor) eller
- ▶ Service og Support-området på [www.haier.com](http://www.haier.com) hvor du kan aktivere
- ▶ servicekrav og også finne vanlige spørsmål.

For å kontakte vår tjeneste, sørg for at du har følgende data tilgjengelig.  
Informasjonen finner du på typeskiltet.

Modell \_\_\_\_\_

Serienr. \_\_\_\_\_

Sjekk også garantikortet som følger med produktet i tilfelle garanti.

| Europeisk Call Service-Center |                 |                                                                                                                  |
|-------------------------------|-----------------|------------------------------------------------------------------------------------------------------------------|
| Land*                         | Telefonnummer   | Kostnader                                                                                                        |
| Haier Italy (IT)              | 199 100 912     |                                                                                                                  |
| Haier Spain (ES)              | 902 509 123     |                                                                                                                  |
| Haier Germany (DE)            | 0180 5 39 39 99 | <ul style="list-style-type: none"> <li>• 14 Ct/Min fasttelefon</li> <li>• maks 42 Ct/Min Mobil</li> </ul>        |
| Haier Austria (AT)            | 0820 001 205    | <ul style="list-style-type: none"> <li>• 14,53 Ct/Min fasttelefon</li> <li>• max 20 Ct/Min alle andre</li> </ul> |
| Haier United Kingdom (UK)     | 0333 003 8122   |                                                                                                                  |
| Haier France (FR)             | 0980 406 409    |                                                                                                                  |

\* For andre land, se [www.haier.com](http://www.haier.com)

Haier Europe Trading S.r.l

Filial Storbritannia

Westgate House, Westgate, Ealing

London, W5 1YY

\*Varighet av garantien for kjøleapparatet:

Minimumsgarantien er: 2 år for EU-land, 3 år for Tyrkia, 1 år for Storbritannia, 1 år for Russland, 3 år for Sverige, 2 år for Serbia, 5 år for Norge, 1 år for Marokko, 6 måneder for Algeria, Tunisia ingen juridisk garanti.

\*Perioden for reservedeler for reparasjon av apparatet:

Termostater, temperatursensorer, kretskort og lyskilder er tilgjengelige i minst sju år etter at den siste enheten av modellen er markedsført.

Dørhåndtak, dørhengsler, skuffer og kurver i minst sju år og dørpakninger i minimum ti år, etter å ha brakt den siste enheten av modellen på markedet.

\*For mer informasjon om produktet, vennligst se <https://eprel.ec.europa.eu/> eller skann QR-en på energimerket som følger med apparatet.





---

|                                               |     |
|-----------------------------------------------|-----|
| Informacje dotyczące bezpieczeństwa .....     | 593 |
| Przeznaczenie .....                           | 599 |
| Opis produktu .....                           | 600 |
| Panel sterowania.....                         | 606 |
| Użytkowanie.....                              | 607 |
| Użycie Wi-Fi.....                             | 612 |
| Użytkowanie.....                              | 613 |
| Wskazówki dotyczące oszczędzania energii..... | 616 |
| Wyposażenie.....                              | 617 |
| Pielęgnacja i czyszczenie .....               | 621 |
| Usuwanie usterek .....                        | 625 |
| Instalacja.....                               | 629 |
| Dane techniczne .....                         | 632 |
| Obsługa klienta.....                          | 638 |

---

**Dziękujemy za zakup produktu firmy Haier.**

Przed użyciem urządzenia należy dokładnie przeczytać niniejsze instrukcje. Instrukcja zawiera ważne informacje, które pomogą lepiej zrozumieć urządzenie i zapewnić bezpieczną i prawidłową instalację, użytkowanie i konserwację.

Niniejszą instrukcję obsługi należy przechowywać w dostępnym miejscu, aby móc z niej zawsze skorzystać w celu bezpiecznego i właściwego użytkowania urządzenia.

Jeśli sprzedajesz urządzenie, oddajesz je lub zostawiasz przy przeprowadzce, upewnij się, że przekazujesz również tę instrukcję, aby nowy właściciel mógł z jej pomocą zapoznać się z urządzeniem i ostrzeżeniami dotyczącymi bezpieczeństwa.



## **OSTRZEŻENIE - Ważne informacje dotyczące bezpieczeństwa**



## **UWAGA - Ogólne informacje i wskazówki**



## **Informacje dotyczące ochrony środowiska**

PL



### **Utylizacja**

Pomóż chronić środowisko i ludzkie zdrowie. Wyrzuć opakowanie do odpowiednich pojemników do recyklingu. Pomóż w recyklingu odpadów z urządzeń elektrycznych i elektronicznych. Nie wyrzucaj urządzeń oznaczonych tym symbolem razem z odpadami domowymi. Oddaj produkt do miejscowego zakładu recyklingu lub skontaktuj się z urzędem miejskim.



## **OSTRZEŻENIE!**

Ryzyko obrażeń lub uduszenia!

Czynniki chłodnicze i gazy muszą być utylizowane w profesjonalny sposób. Przed utylizacją upewnij się, że przewody układu chłodniczego nie są uszkodzone. Odłącz urządzenie od zasilania sieciowego. Odetnij przewód zasilający i zutylizuj go. Usuń tace i szuflady oraz zamek drzwi i uszczelki, aby zapobiec zamknięciu się dzieci i zwierząt w urządzeniu.

## Przed włączeniem urządzenia po raz pierwszy, przeczytaj poniższe wskazówki dotyczące bezpieczeństwa:



### OSTRZEŻENIE!

#### Przed pierwszym użyciem

- ▶ Upewnij się, że nie ma uszkodzeń powstałych podczas transportu.
- ▶ Usunąć wszystkie opakowania i przechowywać w miejscu niedostępnym dla dzieci.
- ▶ Odczekaj co najmniej dwie godziny przed zainstalowaniem urządzenia, aby upewnić się, że obwód czynnika chłodniczego jest w pełni efektywny.
- ▶ Zawsze przenosić urządzenie z pomocą co najmniej dwóch osób, ponieważ jest ono ciężkie.

#### Instalacja

- ▶ Urządzenie powinno być umieszczone w dobrze wentylowanym miejscu. Zapewnij przestrzeń co najmniej 10 cm nad urządzeniem i wokół niego.
- ▶ Nigdy nie umieszczaj urządzenia w wilgotnym miejscu lub w takim, w którym może być ochlapane wodą. Zetrzyj plamy i zachlapania do sucha miękką i czystą ściereczką.
- ▶ Nie należy instalować urządzenia w bezpośrednim świetle słonecznym lub w pobliżu źródeł ciepła (np. pieców, grzejników).
- ▶ Zainstaluj i wypoziomuj urządzenie w miejscu odpowiednim dla jego wielkości i przeznaczenia.
- ▶ Należy dbać o drożność otworów wentylacyjnych w obudowie urządzenia wolnostojącego lub w konstrukcji do zabudowy.
- ▶ Upewnij się, że informacje dotyczące elektryki na tabliczce znamionowej są zgodne z parametrami zasilania. Jeśli tak nie jest, skontaktuj się z elektrykiem.
- ▶ Urządzenie jest zasilane prądem 220–240 V AC/50 Hz. Odbiegające od normy wahania napięcia mogą spowodować niewłączenie się urządzenia albo uszkodzenie regulatora temperatury lub sprężarki. Mogą też być przyczyną nietypowego hałasu podczas pracy. W takim przypadku powinien zostać zamontowany automatyczny regulator.
- ▶ Używaj oddzielnego, łatwo dostępnego i uziemionego gniazdka. Urządzenie musi być uziemione.
- ▶ Dotyczy tylko Wielkiej Brytanii: Kabel zasilający urządzenie jest wyposażony we wtyczkę z 3 bolcami (z uziemieniem), która pasuje do standardowego gniazda z 3 przewodami (z uziemieniem). Nigdy nie odcinaj ani nie demontuj trzeciego bolca (z uziemieniem). Po zainstalowaniu urządzenia wtyczka powinna być łatwo dostępna.
- ▶ Nie używaj adapterów wtyczek i przedłużaczy.
- ▶ Upewnij się, że kabel zasilający nie jest przytrzaśnięty przez chłodziarkę. Nie stawaj na przewodzie zasilającym.
- ▶ Uważaj, aby nie uszkodzić obwodu chłodniczego.
- ▶ Za urządzeniem nie powinny się znajdować większe ilości listew zasilających ani przenośnych zasilaczy.



## OSTRZEŻENIE!

### Codziennie użytkowanie

- ▶ To urządzenie może być używane przez dzieci w wieku od 8 lat i starsze oraz osoby o ograniczonych zdolnościach fizycznych, sensorycznych lub umysłowych lub bez doświadczenia i wiedzy, jeśli znajdują się pod nadzorem lub są poinstruowane w zakresie bezpiecznego korzystania z urządzenia i rozumieją możliwe zagrożenia.
- ▶ Dzieci nie powinny bawić się urządzeniem.
- ▶ Dzieciom w wieku od 3 do 8 lat zezwala się na załadunek i rozładunek urządzeń chłodniczych, ale nie wolno im ich czyścić i instalować.
- ▶ Dzieci w wieku poniżej 3 lat należy trzymać z dala od urządzenia, chyba że są one cały czas pod nadzorem.
- ▶ Czyszczenie i konserwacja nie mogą być wykonywane przez dzieci bez dozoru.
- ▶ Urządzenie musi być ustawione tak, aby wtyczka była łatwo dostępna.
- ▶ Jeśli czynnik chłodniczy lub inny łatwopalny gaz wycieka w pobliżu urządzenia, zamknij zawór wyciekającego gazu, otwórz drzwi oraz okna i nie odłączaj kabla zasilającego chłodziarki lub innego urządzenia.
- ▶ Zwróć uwagę, czy urządzenie jest ustawione do pracy w określonym zakresie temperatur pomiędzy 10°C oraz 43°C. Urządzenie może nie pracować prawidłowo, jeśli pozostanie na dłuższy czas w temperaturze powyżej lub poniżej podanego zakresu.
- ▶ Na chłodziarce nie należy umieszczać niestabilnych przedmiotów (ciężkich przedmiotów, pojemników wypełnionych wodą), aby uniknąć obrażeń ciała spowodowanych upadkiem lub porażeniem prądem elektrycznym w wyniku kontaktu z wodą.
- ▶ Nie ciągnąć za półki drzwiowe. Drzwi mogą być pochylone, stojak na butelki może zostać wyciągnięty lub urządzenie może się przewrócić.
- ▶ Otwieraj i zamykaj drzwi tylko za pomocą klamek. Szczelina między drzwiami a komorą jest bardzo wąska. Nie trzymaj rąk w tych obszarach, aby uniknąć przycięcia palców. Otwieraj i zamykaj drzwi chłodziarko-zamrażarki tylko wtedy, gdy nie ma dzieci stojących w obrębie ruchu drzwi.
- ▶ Nigdy nie przechowuj butelkowanego piwa lub napojów, płynów w butelkach lub puszkach (oprócz alkoholi wysokoprocentowych), zwłaszcza napojów gazowanych w zamrażarce, ponieważ mogą one pęknąć podczas zamrażania.
- ▶ Nie przechowuj w urządzeniu substancji wybuchowych takich jak aerozole w puszcze z łatwopalnymi gazami nośnymi.



### OSTRZEŻENIE!

- ▶ Nie należy przechowywać w urządzeniu leków, bakterii lub substancji chemicznych. To urządzenie jest urządzeniem gospodarstwa domowego. Nie zaleca się przechowywania materiałów, które wymagają ściśle określonej temperatury.
- ▶ Aby uniknąć zanieczyszczenia żywności, należy przestrzegać następujących instrukcji:
  - ▶ - Otwarcie drzwi na długi czas może spowodować znaczny wzrost temperatury w komorach urządzenia.
  - ▶ - Regularnie czyść powierzchnie, które mogą mieć kontakt z żywnością, oraz dostępne systemy odwadniające.
  - ▶ - Wyczyść zbiorniki na wodę, jeśli nie były używane przez 48 godzin; przepłucz instalację wodną podłączoną do wodociągu, jeśli woda nie była pobierana przez 5 dni.
  - ▶ - Surowe mięso i ryby należy przechowywać w odpowiednich pojemnikach w chłodziarce, tak aby nie stykały się z innymi produktami spożywczymi ani nie skapywały na nie ich soki.
  - ▶ - Dwugwiazdkowe komory do przechowywania mrozonek są odpowiednie do przechowywania wstępnie zamrożonej żywności, przechowywania lub przygotowywania lodów oraz kostek lodu.
  - ▶ - Komory jedno-, dwu- i trzygwiazdkowe nie są odpowiednie do zamrażania świeżej żywności.
  - ▶ - Jeżeli urządzenie chłodnicze pozostaje przez dłuższy czas puste, należy je wyłączyć, rozmrozić, wyczyścić, wysuszyć i pozostawić otwarte drzwi, aby zapobiec rozwojowi pleśni wewnątrz urządzenia.
- ▶ Sprawdź stan żywności, jeśli w zamrażarce miało miejsce zwiększenie temperatury.
- ▶ Nie ustawiaj niepotrzebnie niskiej temperatury w komorze chłodziarki. Ujemne temperatury mogą wystąpić przy wysokich ustawieniach. Uwaga: Butelki mogą wybuchnąć.
- ▶ Nie dotykaj zamrożonych towarów mokrymi rękami (załóż rękawiczki). Szczególnie nie należy jeść lizaków lodowych bezpośrednio po wyjęciu z komory zamrażarki. Istnieje ryzyko przymarnięcia naskórka lub powstania pęcherzy. PIERWSZA pomoc: trzymać pod bieżącą zimną wodą. Nie ciągnąć!
- ▶ Nie dotykaj wnętrza komory zamrażarki podczas pracy, zwłaszcza mokrymi rękami, ponieważ mogą one przymarznąć do jej powierzchni.
- ▶ Odłącz urządzenie w przypadku przerwy w zasilaniu lub przed czyszczeniem. Odczekaj co najmniej 7 minut przed ponownym uruchomieniem urządzenia, ponieważ częste uruchamianie może uszkodzić sprężarkę
- ▶ Nie używać urządzeń elektrycznych wewnątrz komór do przechowywania żywności, chyba że są to urządzenia typu zalecanego przez producenta



## OSTRZEŻENIE!

### Konserwacja/czyszczenie

- ▶ Upewnij się, że dzieci są nadzorowane podczas czyszczenia i konserwacji urządzenia.
- ▶ Przed przystąpieniem do rutynowej konserwacji należy odłączyć urządzenie od zasilania elektrycznego. Odczekaj co najmniej 5 minut przed ponownym uruchomieniem urządzenia, ponieważ częste uruchamianie może uszkodzić sprężarkę.
- ▶ Podczas odłączania urządzenia trzymaj za wtyczkę, a nie za przewód.
- ▶ Nie czyść urządzenia za pomocą twardych szczotek, szczotek drucianych, detergentów proszkowych, benzyny, octanu amylu, acetonu i podobnych roztworów organicznych, kwasu lub roztworów alkalicznych. Do czyszczenia należy używać specjalnego detergentu do chłodziarek/zamrażarek, aby uniknąć uszkodzenia. Można użyć ciepłej wody i roztworu sody oczyszczonej – około jedna łyżka stołowa sody oczyszczonej na litr/kwartę wody. Dokładnie splucz wodą i wytrzyj do sucha. Nie używaj proszków czyszczących ani innych środków czyszczących o właściwościach ściernych. Nie myj wyjmowanych części urządzenia w zmywarce.
- ▶ Nie zeszkrobuj szronu i lodu ostrymi przedmiotami. Nie używaj rozpylaczy, grzejników elektrycznych, takich jak suszarka do włosów, myjek parowych lub innych źródeł ciepła, aby uniknąć uszkodzenia plastikowych części.
- ▶ Nie używaj urządzeń mechanicznych ani innych środków do przyspieszania procesu rozmrażania, chyba że są one zalecane przez producenta.
- ▶ Jeśli kabel zasilający ulegnie uszkodzeniu, dla bezpieczeństwa należy zlecić jego wymianę producentowi, autoryzowanemu serwisowi lub osobom o podobnych kwalifikacjach.
- ▶ Nie należy próbować samodzielnie naprawiać, demontować ani modyfikować urządzenia. W przypadku konieczności naprawy prosimy o kontakt z naszym działem obsługi klienta.
- ▶ Jeśli lampy oświetleniowe ulegną uszkodzeniu, dla bezpieczeństwa należy zlecić ich wymianę producentowi, autoryzowanemu serwisowi lub osobom o podobnych kwalifikacjach.
- ▶ Usuń kurz z tyłu urządzenia co najmniej raz w roku, aby uniknąć zagrożenia ogniem, a także zwiększonego zużycia energii.
- ▶ Nie używaj aerozolu ani nie przepłukuj urządzenia podczas czyszczenia.
- ▶ Nie używaj wody lub pary do czyszczenia urządzenia.
- ▶ Nie czyść zimnych szklanych półek ani szklanych drzwi gorącą wodą. Nagła zmiana temperatury może spowodować pęknięcie szkła.
- ▶ Jeśli urządzenie nie będzie używane przez dłuższy czas, należy pozostawić je otwarte, aby zapobiec powstawaniu nieprzyjemnych zapachów w jego wnętrzu.

## Informacje dotyczące czynnika chłodniczego



### OSTRZEŻENIE!

Urządzenie zawiera łatwopalny czynnik chłodniczy IZOBUTAN (R600a). Upewnij się, że układ chłodniczy nie został uszkodzony podczas transportu lub instalacji.

Wyciek czynnika może spowodować uszkodzenie wzroku lub zapalenie.

Jeśli wystąpiło uszkodzenie, trzymaj urządzenie z dala od otwartych źródeł ognia, dokładnie przewietrz pomieszczenie, nie podłączaj ani nie odłączaj kabli zasilających tego lub innego urządzenia. Poinformuj obsługę klienta.

W przypadku kontaktu czynnika chłodniczego z oczami natychmiast przepłucz je pod bieżącą wodą i natychmiast skontaktuj się z okulistą.

Układ chłodniczy jest pod wysokim ciśnieniem. Nie manipuluj nim. Ponieważ stosowane są palne czynniki chłodnicze, urządzenie należy zainstalować, obsługiwać i serwisować ściśle według instrukcji obsługi i skontaktować się z profesjonalnym przedstawicielem lub naszym serwisem posprzedażowym w celu utylizacji urządzenia.

W przypadku chłodziarek z funkcją Ice-Water należy zwrócić uwagę na następujące ostrzeżenie:

- W przypadku urządzeń, które nie są przeznaczone do podłączenia do źródła wody: należy napełniać wyłącznie wodą pitną.
- W przypadku urządzeń przeznaczonych do podłączenia do źródła wody: należy podłączyć wyłącznie do źródła wody pitnej.
- Aby wyczyścić instalację wodną, należy zapoznać się z Instrukcją obsługi. W razie pytań prosimy o kontakt z serwisem posprzedażnym.



## Przeznaczenie

To urządzenie jest przeznaczone do chłodzenia i zamrażania żywności. Został zaprojektowany wyłącznie do użytku w gospodarstwach domowych i podobnych zastosowaniach, takich jak pomieszczenia kuchenne dla personelu w sklepach, biurach i innych środowiskach pracy; w gospodarstwach rolnych oraz przez klientów w hotelach, motelach i innych obiektach mieszkalnych, a także w pensjonatach i gastronomii. Nie jest przeznaczone do użytku komercyjnego ani przemysłowego. Zmiany lub modyfikacje urządzenia są niedozwolone. Użycie niezgodne z przeznaczeniem może spowodować zagrożenie i utratę roszczeń gwarancyjnych.

## Normy i dyrektywy CE oraz UK CA

Produkt ten spełnia wymagania wszystkich obowiązujących dyrektyw UE z odpowiednimi normami zharmonizowanymi, które przewidują oznakowanie CE.

## Akcesoria

Sprawdź akcesoria i materiały zgodnie z tą listą:

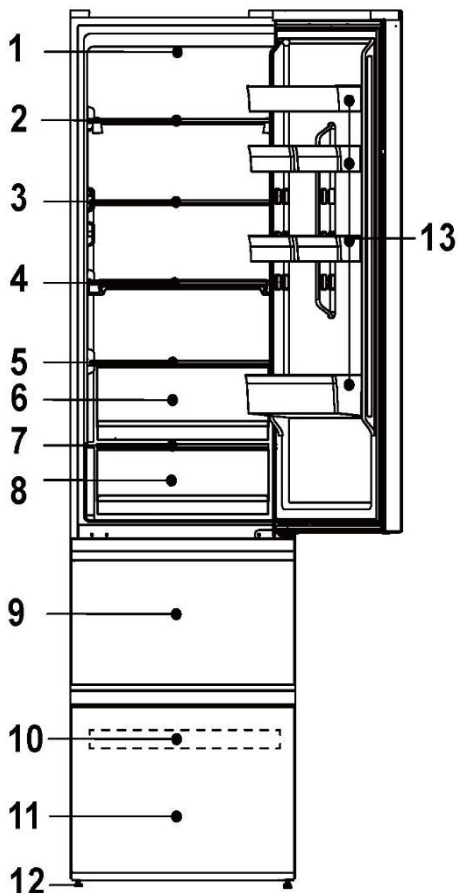


### UWAGA

Z powodu zmian technicznych i różnych modeli, niektóre ilustracje w tej instrukcji mogą się różnić od Twojego modelu.

## **i** UWAGA

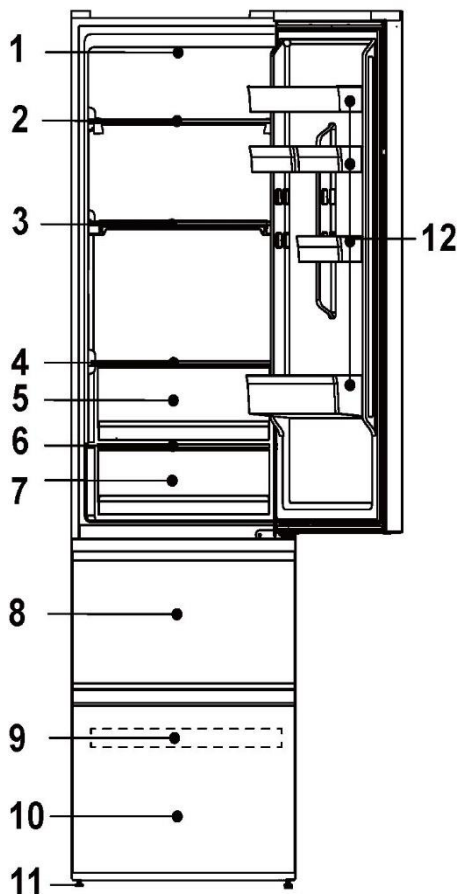
Z powodu zmian technicznych i różnych modeli, niektóre ilustracje w tej instrukcji mogą się różnić od modelu.(HTW5620\*N\*)



- 1-Lampka LED do chłodziarki
- 2-Stojak na wino
- 3-Szklana półka
- 4-Składana półka
- 5-Pokrywa pojemnika Humidity Zone
- 6-Pojemnik Humidity Zone
- 7-Pokrywa pojemnika My Zone
- 8-Pojemnik My Zone
- 9-Górna szuflada zamrażarki
- 10-Taca zamrażarki
- 11-Dolna szuflada zamrażarki
- 12-Regulowane nóżki
- 13-Półka na drzwi chłodziarki

## **i** UWAGA

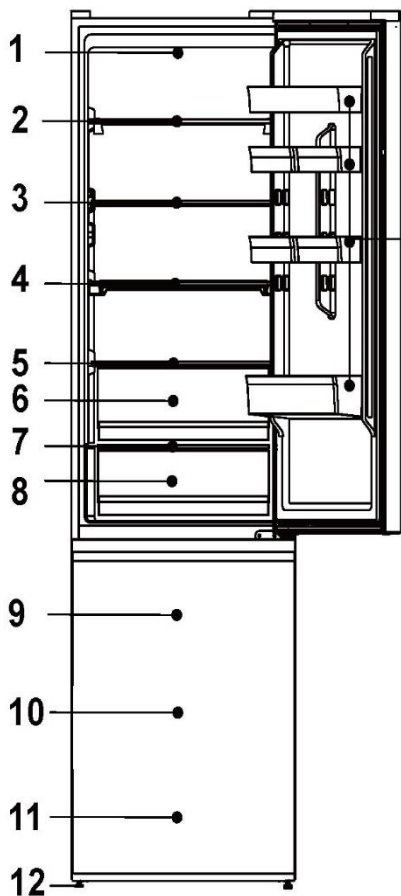
Z powodu zmian technicznych i różnych modeli, niektóre ilustracje w tej instrukcji mogą się różnić od modelu. (HTW5618\*N\*)



- 1-Lampka LED do chłodziarki
- 2-Stojak na wino
- 3-Składana półka
- 4-Pokrywa pojemnika Humidity Zone
- 5-Pojemnik Humidity Zone
- 6-Pokrywa pojemnika My Zone
- 7-Pojemnik My Zone
- 8-Górna szuflada zamrażarki
- 9-Taca zamrażarki
- 10-Dolna szuflada zamrażarki
- 11-Regulowane nóżki
- 12-Półka na drzwi chłodziarki

## **i** UWAGA

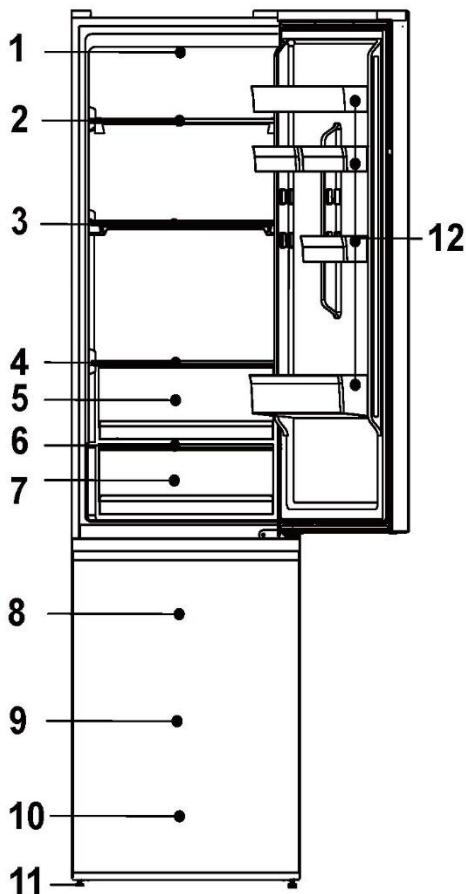
Z powodu zmian technicznych i różnych modeli, niektóre ilustracje w tej instrukcji mogą się różnić od modelu.(HDPW5620\*N\*)



- 1-Lampka LED do chłodziarki
- 2-Stojak na wino
- 3-Szklana półka
- 4-Składana półka
- 5-Pokrywa pojemnika Humidity Zone
- 6-Pojemnik Humidity Zone
- 7-Pokrywa pojemnika My Zone
- 8-Pojemnik My Zone
- 9-Górna szuflada zamrażarki
- 10-Środkowa szuflada zamrażarki
- 11-Dolna szuflada zamrażarki
- 12-Regulowane nóżki
- 13-Półka na drzwi chłodziarki

## **i** UWAGA

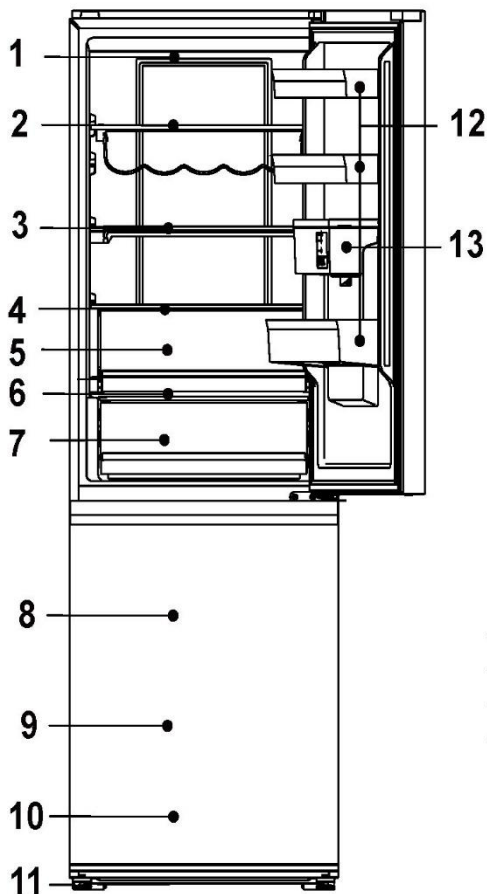
Z powodu zmian technicznych i różnych modeli, niektóre ilustracje w tej instrukcji mogą się różnić od modelu. (HDPW5618\*N\*)



- 1-Lampka LED do chłodziarki
- 2-Stojak na wino
- 3-Składana półka
- 4-Pokrywa pojemnika Humidity Zone
- 5-Pojemnik Humidity Zone
- 6-Pokrywa pojemnika My Zone
- 7-Pojemnik My Zone
- 8-Górna szuflada zamrażarki
- 9-Środkowa szuflada zamrażarki
- 10-Dolna szuflada zamrażarki
- 11-Regulowane nóżki
- 12-Półka na drzwi chłodziarki

**i UWAGA**

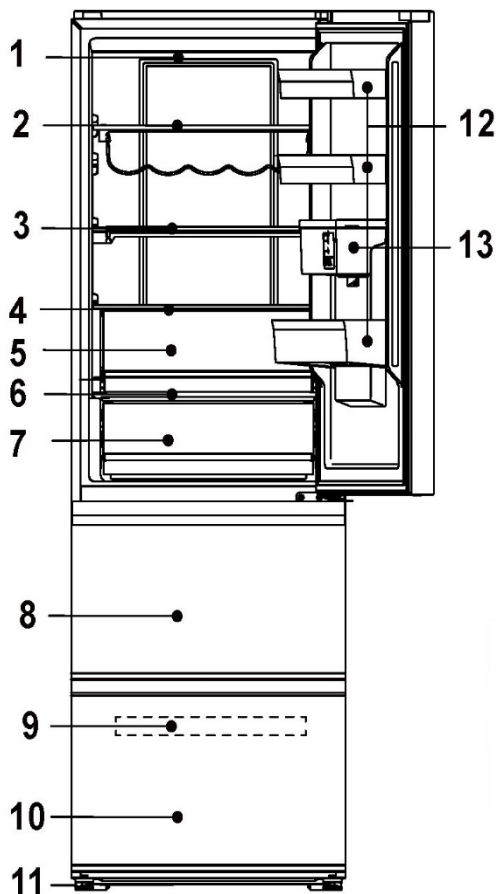
Z powodu zmian technicznych i różnych modeli, niektóre ilustracje w tej instrukcji mogą się różnić od modelu.(HDPW5618DW\*)



- 1-Lampka LED do chłodziarki
- 2-Stojak na wino
- 3-Składana półka
- 4-Pokrywa pojemnika Humidity Zone
- 5-Pojemnik Humidity Zone
- 6-Pokrywa pojemnika My Zone
- 7-Pojemnik My Zone
- 8-Górna szuflada zamrażarki
- 9-Środkowa szuflada zamrażarki
- 10-Dolna szuflada zamrażarki
- 11-Regulowane nóżki
- 12-Półka na drzwi chłodziarki
- 13-Zbiornik na wodę

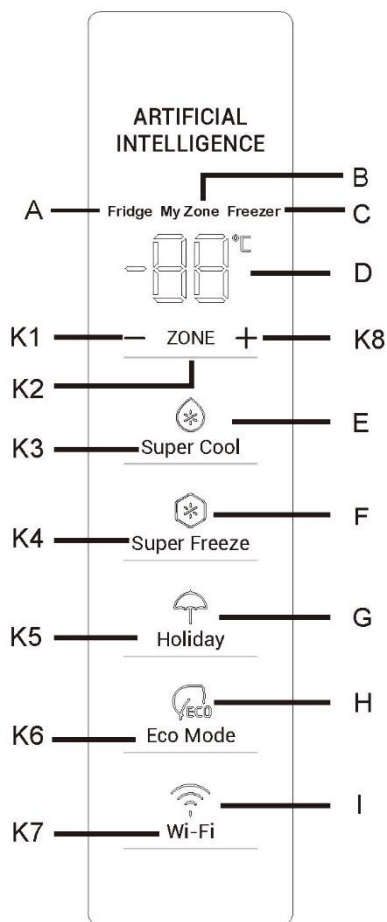
## **i** UWAGA

Z powodu zmian technicznych i różnych modeli, niektóre ilustracje w tej instrukcji mogą się różnić od modelu.(HTW5618DW\*)



- 1-Lampka LED do chłodziarki
- 2-Stojak na wino
- 3-Składana półka
- 4-Pokrywa pojemnika Humidity Zone
- 5-Pojemnik Humidity Zone
- 6-Pokrywa pojemnika My Zone
- 7-Pojemnik My Zone
- 8-Górna szuflada zamrażarki
- 9-Taca zamrażarki
- 10-Dolna szuflada zamrażarki
- 11-Regulowane nóżki
- 12-Półka na drzwi chłodziarki
- 13-Zbiornik na wodę

## Panel sterowania



Przyciski:

- A Komora chłodziarki
- B Komora My Zone
- C Komora zamrażarki
- D Wyświetlacz temperatury
- E Funkcja Super Cool
- F Funkcja Super Freeze
- G Funkcja Holiday
- H Funkcja Eco Mode
- I Funkcja Wi-Fi

Wskaźniki:

- K1 Zmniejszanie temperatury
- K2 Wybór Chłodziarka, My Zone oraz Freezer
- K3 Funkcja Super Cool włączona/wyłączona
- K4 Funkcja Super Freeze włączona/wyłączona
- K5 Funkcja Holiday włączona/wyłączona
- K6 Funkcja Eco Mode włączona/wyłączona
- K7 Funkcja Wi-Fi włączona/wyłączona
- K8 Zwiększanie temperatury

### Przed pierwszym użyciem

Usuń wszelkie opakowania, trzymaj je w miejscu niedostępnym dla dzieci i zutylizuj w sposób przyjazny dla środowiska.

Wyczyść urządzenie wewnątrz i na zewnątrz, a także wnętrze i akcesoria wodą z łagodnym detergentem, a następnie dobrze wysusz miękką ściereczką.

Po wypoziomowaniu i wyczyszczeniu urządzenia odczekaj co najmniej 2 godziny przed podłączeniem go do zasilania. Zob. rozdział INSTALACJA.

Przed włożeniem żywności należy wstępnie schłodzić komory z wysokimi ustawieniami. Funkcja Super Freeze pomaga szybko schłodzić komory zamrażarki



## Klawisze czujnika

Przyciski na panelu sterowania są klawiszami czujników, które reagują przy delikatnym dotknięciu palcem.

## Włącz/Wyłącz urządzenie

Urządzenie zacznie pracę jak tylko zostanie podłączone do źródła energii.

Gdy urządzenie jest włączane po raz pierwszy, wskaźniki temperatury „D” pokazują wartości ustawień wstępnych (patrz Uwaga poniżej).

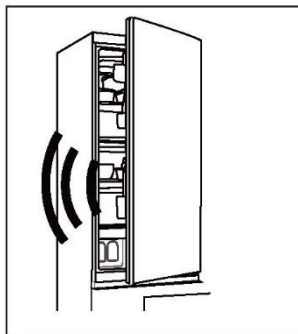
### **i** UWAGA

Urządzenie jest wstępnie ustawione na zalecaną temperaturę 5°C (chłodziarka) i -18°C (zamrażarka). Temperatura w My Zone jest ustawiona na około 2°C. Są to zalecane ustawienia. W razie potrzeby można ręcznie zmienić ustawioną temperaturę.

## Alarm otwarcia drzwi

Gdy drzwi chłodziarki są otwarte przez ponad 3 minuty, włączy się alarm otwartych drzwi.

Alarm drzwi można także wyłączyć poprzez zamknięcie drzwi. Jeśli drzwi pozostaną otwarte dłużej niż 7 minut, oświetlenie wnętrza chłodziarki i panelu sterowania wyłączy się automatycznie.



Wyreguluj temperaturę

Na temperaturę wewnątrz chłodziarki wpływają następujące czynniki:

Temperatura otoczenia

Częstotliwość otwierania drzwi

Ilość przechowywanej żywności

Instalacja urządzenia

### Wyreguluj temperaturę chłodziarki

1. Naciśnij przycisk „K2” (wybór Chłodziarka/(My Zone)/Zamrażarka), aby wybrać komorę chłodziarki. Ikona „A” (chłodziarka) i „D” (wyświetlacz temperatury) są podświetlone.
2. Naciśnij przycisk „K1/K8”, aby ustawić temperaturę chłodziarki. Temperatura wzrasta sekwencyjnie o 1°C, od minimum 2°C do maksimum 8°C. Optymalna temperatura w chłodziarce to 5°C. Niższe temperatury oznaczają niepotrzebne zużycie energii.
3. Po około 5 sekundach ikona temperatury „D” (wyświetlacz temperatury) zaświeci się na stałe, a ustawienie zostanie potwierdzone.

### UWAGA

Z poziomu aplikacji możliwe jest dostosowanie temperatury zarówno dla chłodziarki, jak i zamrażarki. Temperatura może być ustawiona z dokładnością do 1 °C.

### Ustaw temperaturę zamrażarki

1. Naciśnij przycisk dotykowy „K2” (wybór Chłodziarka/(My Zone)/Zamrażarka), aby wybrać komorę zamrażania, ikony „C” (komora zamrażarki) i „D” (wyświetlacz temperatury) będą podświetlone.
2. Naciśnij przycisk dotykowy „K1/K8”, aby ustawić temperaturę zamrażarki. Temperatura wzrasta sekwencyjnie o 1°C, od minimum -24°C do maksimum -16 °C. Optymalna temperatura w chłodziarce to -18 °C. Niższe temperatury oznaczają niepotrzebne zużycie energii.
3. Po około 5 sekundach wskaźnik temperatury „D” (wyświetlacz temperatury) zaświeci się na stałe, a ustawienie zostanie potwierdzone.

### UWAGA

Po ustawieniu temperatury, jeśli w ciągu 5 sekund zostaną naciśnięte inne klawisze, aktualne ustawienie temperatury zostanie natychmiast potwierdzone. Jeśli w ciągu 5 sekund nie zostanie wykonana żadna operacja z użyciem klawiszy, aktualna ustawiona temperatura będzie wyświetlana do momentu zgaśnięcia ekranu.

## Ustaw temperaturę My Zone

Chłodziarka wyposażona jest w pojemnik My Zone. Zgodnie z wymaganiami dotyczącymi przechowywania żywności można wybrać najbardziej odpowiednią temperaturę, aby uzyskać optymalną wartość odżywczą żywności.

1. Naciśnij przycisk „K2” (wybór Chłodziarka/(My Zone)/Zamrażarka), aby wybrać komorę My Zone. Ikona „B” (komora My Zone) i „D” (wyświetlacz temperatury) są podświetlone. Można ją również wybrać z aplikacji.
2. Naciśnij przycisk dotykowy „K1/K8”, aby ustawić temperaturę My Zone. Temperaturę można również regulować w aplikacji.

Temperatura wzrasta sekwencyjnie o 1 °C, od minimum 0 °C do maksimum 5 °C.

3. Po około 5 sekundach ikona temperatury „D” (wyświetlacz temperatury) zaświeci się na stałe, a ustawienie zostanie potwierdzone.



### UWAGA

1. Możesz ustawić temperaturę w komorze My Zone na średnim poziomie (2 °C), aby przechowywać żywność w optymalnych warunkach.
2. Ze względu na różną zawartość wody w mięsie, niektóre mięso o większej wilgotności zostanie zamrożone w temperaturze niższej niż 0 °C. Tak więc mięso „natychmiast krojone” należy przechowywać w pojemniku My Zone, w temperaturze min. 0 °C.
3. Owoce wrażliwe na zimno, takie jak ananas, awokado, banany, grejpfruty i warzywa, takie jak ziemniaki, bakłażany, fasola, ogórki, cukinia i pomidory oraz ser nie powinny być przechowywane w pojemniku My Zone.
4. Jeśli temperatura chłodziarki jest niższa niż temperatura My Zone, to normalne, że temperatura w My Zone jest niższa niż temperatura ustawienia dla My Zone.

## Funkcja Super-Cool

1. Zaleca się włączenie funkcji Super Cool w przypadku przechowywania dużej ilości żywności (np. po zakupie). Funkcja Super Cool przyspiesza chłodzenie świeżej żywności i chroni już przechowywane produkty przed niepożądanym ogrzaniem.
2. Naciśnij przycisk „K3” lub włącz go z poziomu aplikacji, ikona „E” (funkcja Super Cool) zaświeci się i funkcja zostanie aktywowana.

### UWAGA

1. Urządzenie wyłącza się z funkcji „Super Cool” po wejściu w funkcję „Super Cool” na 6 godzin lub po naciśnięciu przycisku „K3”, gdy ikona „E” (funkcja Super Cool) jest podświetlona lub po wyłączeniu w aplikacji.
2. W stanie Super Cool, jeśli temperatura komory chłodziarki jest regulowana, ikona „E” (funkcja Super Cool) miga, aby wskazać, że ta operacja nie może być wykonana.

### Funkcja Super-Frz

1. Świeża żywność powinna być zamrożona tak szybko, jak to możliwe. To umożliwia zachowanie najlepszej wartości odżywczej, wyglądu i smaku. Funkcja Super Freeze przyspiesza zamrażanie świeżej żywności i chroni już przechowywane produkty przed niepożądanym ogrzaniem. Jeśli konieczne jest jednorazowe zamrożenie dużej ilości żywności, zaleca się włączenie funkcji Super Freeze na 24 godziny przed użyciem zamrożonego pomieszczenia.
2. Naciśnij przycisk „K4” (ustawienie funkcji Super Freeze) lub włącz ją z poziomu aplikacji, ikona „F” (funkcja Super Freeze) zaświeci się i funkcja zostanie aktywowana.

### UWAGA

1. Urządzenie wyłącza się z funkcji „Super Freeze” po wejściu w funkcję „Super Freeze” na 50 godzin lub po naciśnięciu przycisku „K4”, gdy ikona „F” (funkcja Super Freeze) jest podświetlona lub wyłącza ją w aplikacji.
2. W stanie Super Freeze, jeśli temperatura komory zamrażania jest regulowana, miga ikona „F” (funkcja Super Freeze), aby wskazać, że nie można wykonać tej operacji.

### Funkcja Holiday

Funkcji Holiday można używać w celu zmniejszenia zużycia energii przez urządzenie, gdy nie jest ono regularnie używane. Gdy funkcja jest włączona, chłodziarka jest włączona, natomiast zamrażarka będzie działać normalnie. Funkcja ustawia na stałą temperaturę chłodziarki na 17 °C.

Pozwala to na zamknięcie drzwi pustej chłodziarki, nie powodując przy tym nieprzyjemnego zapachu czy pleśni - podczas dłuższej nieobecności (np. w czasie wakacji). Komora zamrażarki może być dowolnie ustawiana.

1. Naciśnij przycisk „K5” (funkcja Holiday włączona/wyłączona) lub wybierz funkcję z aplikacji, ikona „G” (funkcja Holiday) zaświeci się i funkcja zostanie aktywowana.
2. Funkcję można dezaktywować, ponownie naciskając przycisk „K5” (włączenie/wyłączenie funkcji Holiday) lub ustawiając temperaturę chłodziarki lub wykonując dowolne inne ustawienie lub wyłączając ją z poziomu aplikacji.



## UWAGA

1. Podczas korzystania z funkcji Holiday w komorze chłodziarki nie należy przechowywać żadnej żywności. Temperatura + 17°C jest zbyt wysoka, aby przechowywać żywność.
2. Gdy funkcja Holiday jest włączona, ikona My Zone pozostaje wyłączona, a funkcja chłodziarki jest zablokowana. Jeśli temperatura w komorze chłodziarki jest ustawiona, ikona „G” (funkcja Holiday) miga, wskazując, że tej operacji nie można wykonać.

## Funkcja Eco Mode

Tryb Eco Mode może być aktywowany w celu optymalizacji wydajności urządzenia, przy jednoczesnym uzyskaniu najlepszego sposobu przechowywania żywności. Jeśli nie masz żadnych specjalnych wymagań, zalecamy użycie trybu Eco Mode.

W tym trybie temperatura chłodziarki wynosi 5 °C, temperatura zamrażania wynosi -18 °C.

1. Naciśnij przycisk „K6” (funkcja Eco Mode włączona/wyłączona) lub wybierz funkcję z aplikacji.
2. Ikona „H” (funkcja Eco Mode) jest podświetlona, a funkcja jest włączona.

Powtarzając powyższe kroki lub wybierając inną funkcję lub wyłączając z aplikacji, funkcję tę można ponownie wyłączyć. Zostaną przywrócone poprzednio ustawione poziomy chłodzenia.



## UWAGA

Podczas działania funkcji Eco Mode, jeśli temperatura komory chłodziarki/zamrażarki jest regulowana, ikona „H” (funkcja Eco Mode) miga, wskazując, że tej operacji nie można wykonać.

## Użycie Wi-Fi

Krok 1 Pobierz aplikację hOn ze sklepów.

|                                                                                                                                                                    |                                                                                                                                                            |
|--------------------------------------------------------------------------------------------------------------------------------------------------------------------|------------------------------------------------------------------------------------------------------------------------------------------------------------|
|                                                                                   |                                                                                                                                                            |
| <p>Krok 2 Załóż konto w aplikacji hOn lub zaloguj się, jeśli masz już konto.</p>  | <p>Krok 3 Postępuj zgodnie z instrukcjami parowania w aplikacji hOn.</p>  |

### Funkcja Wi-Fi

1. Należy postępować zgodnie z instrukcjami aplikacji, aby skonfigurować Wi-Fi.
2. Po skonfigurowaniu sieci Wi-Fi i nawiązaniu połączenia ikona Wi-Fi „I” jest podświetlona i stała.
3. Jeśli sieć Wi-Fi została już skonfigurowana, po włączeniu sieci Wi-Fi automatycznie połączy się ponownie zgodnie z informacjami konfiguracyjnymi.

### UWAGA

1. Aby wyłączyć Wi-Fi, naciśnij klawisz Wi-Fi „K7”, a ikona Wi-Fi „I” zgaśnie.
2. Aby włączyć Wi-Fi i rozpocząć konfigurację, naciśnij klawisz Wi-Fi „K7”, a ikona Wi-Fi „I” zacznie powoli migać. Jeśli chcesz skonfigurować funkcję Wi-Fi, naciśnij przycisk „K7” przez 3 sekundy, ikona Wi-Fi zacznie szybko migać i wejdzie w tryb konfiguracji. Jeśli chcesz wyłączyć funkcję Wi-Fi, naciśnij raz klawisz „K7”. Powyższe kroki są powtarzane.
3. Jeśli produkt został skonfigurowany, a funkcja Wi-Fi została wyłączona, chłodziarka nie wejdzie w tryb konfiguracji po ponownym podłączeniu do zasilania

### UWAGA

1. Ten produkt nie jest przeznaczony do użytku komercyjnego.
2. Maksymalna moc wyjściowa RF: 2,4 GHz Wi-Fi: 16 dBm;
3. Bluetooth LE: 5 dBm; Bluetooth (BR/EDR): 10 dBm.
4. Pasmo częstotliwości działania: 2400-2483,5 MHz.

## Przechowywanie w komorze chłodziarki

Należy utrzymywać temperaturę w chłodziarce poniżej 5 °C.

Gorące jedzenie musi zostać schłodzone do temperatury pokojowej przed włożeniem go do urządzenia.

Żywność przechowywana w chłodziarce powinna zostać wcześniej umyta i wysuszona.

Przechowywana żywność powinna być odpowiednio zamknięta, co pozwoli uniknąć zmiany zapachu lub smaku.

Nie przechowuj nadmiernych ilości żywności. Należy zachować odstępy pomiędzy produktami spożywczymi, aby umożliwić cyrkulację zimnego powietrza dla zapewnienia lepszego i bardziej jednorodnego chłodzenia.

Żywność spożywaną codziennie należy przechowywać z przodu półki.

Pozostaw szczelinę pomiędzy żywnością a wewnętrznymi ściankami, umożliwiającą przepływ powietrza. W żadnym wypadku nie należy przechowywać żywności przy tylnej ścianie: żywność może zamarznąć przy tylnej ścianie. Unikaj bezpośredniego kontaktu żywności (zwłaszcza tłustej lub kwaśnej) z wkładką wewnętrzną, ponieważ olej/kwas może spowodować erozję wkładki wewnętrznej. Usuwać tłuste/kwaśne zabrudzenia, gdy tylko się pojawią.

Zamrożoną żywność można delikatnie rozmrozić w komorze chłodziarki. To oszczędza energię.

Proces starzenia się owoców i warzyw takich jak cukinia, melon, papaja, banany, ananasy itp. można przyspieszyć w chłodziarce. Dlatego nie zaleca się przechowywania ich w chłodziarce. Można jednak przyspieszyć dojrzewanie mocno zielonych owoców przez pewien okres. Cebula, czosnek, imbir i inne warzywa korzeniowe również powinny być przechowywane w temperaturze pokojowej.

Nieprzyjemne zapachy wewnątrz chłodziarki to znak, że coś się rozlało i konieczne jest czyszczenie. Zobacz Pielęgnacja i czyszczenie.

Różne rodzaje żywności powinny być umieszczane w różnych miejscach w zależności od ich właściwości.

## Przechowywanie w komorze zamrażarki

Utrzymuj temperaturę zamrażarki na poziomie -18°C.

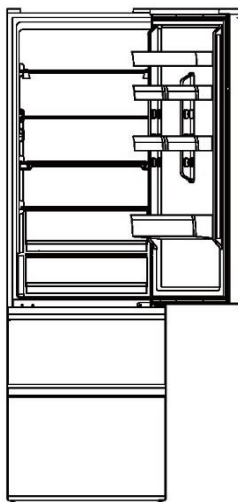
24 godziny przed zamrożeniem włącz funkcję Super-Freeze. W przypadku małych ilości jedzenia wystarczy 4-6 godzin.

Gorące jedzenie musi zostać schłodzone do temperatury pokojowej przed włożeniem go do komory zamrażarki.

Żywność pokrojona na małe porcje zamraża się szybciej i jest łatwiejsza do rozmrożenia i ugotowania. Zalecana waga każdej porcji wynosi mniej niż 2,5 kg

Lepiej jest zapakować żywność przed włożeniem jej do zamrażarki. Zewnętrzna strona opakowania musi być sucha, aby uniknąć sklejaniasię torebek. Materiały opakowaniowe powinny być bezwonne, hermetyczne, nietrujące i nietoksyczne.

Aby uniknąć upływu terminu przydatności do spożycia, należy podać na opakowaniu datę zamrożenia, termin i nazwę produktu, zgodnie z okresami przechowywania różnych produktów spożywczych.



### OSTRZEŻENIE!

- ▶ Kwas, zasady, sól itp. mogą spowodować erozję wewnętrznej powierzchni zamrażarki.
- ▶ Nie należy umieszczać żywności zawierającej te substancje (np. ryb morskich) bezpośrednio na wewnętrznej powierzchni. Słona woda w zamrażarce powinna być natychmiast oczyszczona.
- ▶ Nie należy przekraczać czasu przechowywania żywności zalecanego przez producentów. Należy wyjąć z zamrażarki tylko wymaganą ilość jedzenia.
- ▶ Należy szybko spożyć rozmrożoną żywność. Rozmrożone jedzenie nie może być ponownie zamrożone, chyba że zostanie najpierw ugotowane, w przeciwnym razie może być mniej jadalne.
- ▶ Nie wkładaj nadmiernej ilości świeżej żywności do komory zamrażarki. Patrz pojemność zamrażarki - patrz DANE TECHNICZNE lub dane na tabliczce znamionowej.
- ▶ Żywność może być przechowywana w zamrażarce w temperaturze wynoszącej co najmniej  $-18\text{ }^{\circ}\text{C}$  przez okres od 2 do 12 miesięcy, w zależności od jej rodzaju produktów (np. mięso: 3-12 miesięcy, warzywa: 6-12 miesięcy)
- ▶ Podczas zamrażania świeżej żywności należy unikać kontaktu z już zamrożoną żywnością. Ryzyko rozmrożenia!

### **Przechowując komercyjnie zamrożoną żywność, należy przestrzegać następujących wytycznych:**

Zawsze postępuj zgodnie z wytycznymi producenta dotyczącymi czasu przechowywania żywności. Nie przekraczaj czasu wskazanego w tych wytycznych! Staraj się, aby czas od zakupu do umieszczenia w zamrażarce był jak najkrótszy, aby zachować jakość żywności.

Kupuj mrożonki, które były przechowywane w temperaturze  $-18\text{ }^{\circ}\text{C}$  lub niższej. Unikaj kupowania żywności, której opakowanie jest pokryte lodem lub szronem. Oznacza to, że produkty mogły w pewnym momencie zostać częściowo rozmrożone i ponownie zamrożone. Wzrost temperatury wpływa na jakość żywności.



## Dozownik wody

Za pomocą dozownika wody można pobierać zimną wodę pitną.

Przed pierwszym użyciem należy wyczyścić zbiornik na wodę (patrz PIELĘGNACJA I CZYSZCZENIE).

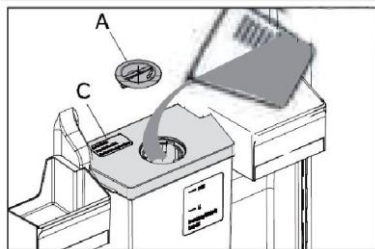
## Napelnienie zbiornika na wodę



### OSTRZEŻENIE!

► Używaj tylko wody pitnej.

1. Upewnij się, że zbiornik na wodę został wstawiony prawidłowo (patrz WYPOSAŻENIE)
2. Obróć i podnieś okrągłą pokrywę (A) i wlej świeżą wodę pitną do zbiornika na wodę (Rys. 5.10.1).
3. Nalej wodę tylko kreski (2,5 l), ponieważ może wylać się podczas otwierania i zamykania drzwi.
4. Zamknij okrągłą pokrywę (A), aż zatrzaśnie się na swoim miejscu.



PL



### UWAGA

1. Urządzenie wyłącza się z funkcji „Super Cool” po wejściu w funkcję „Super Cool” na 6 godzin lub po naciśnięciu przycisku „K3”, gdy ikona „E” (funkcja Super Cool) jest podświetlona lub po wyłączeniu w aplikacji.
2. W stanie Super Cool, jeśli temperatura komory chłodziarki jest regulowana, ikona „E” (funkcja Super Cool) miga, aby wskazać, że ta operacja nie może być wykonana.



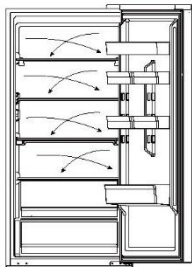
### Wskazówki dotyczące oszczędzania energii

- ▶ Upewnij się, że urządzenie jest właściwie wentylowane (patrz MONTAŻ).
- ▶ Nie instaluj urządzenia w miejscu, w którym będzie narażone na bezpośrednie działanie słońca lub w pobliżu źródeł ciepła (np. pieców, grzejników).
- ▶ Unikaj niepotrzebnie niskiej temperatury w urządzeniu. Zużycie energii wzrasta wraz ze spadkiem ustawionej temperatury w urządzeniu.
- ▶ Funkcje takie jak SUPER FREEZE zwiększają zużycie energii.
- ▶ Przed włożeniem ciepłej żywności do urządzenia należy poczekać, aż ostygnie.
- ▶ Otwieraj drzwi możliwie rzadko i możliwie na krótko.
- ▶ Nie przepelniaj urządzenia, aby nie blokować przepływu powietrza.
- ▶ Unikaj powietrza w opakowaniu z żywnością.
- ▶ Utrzymuj w czystości uszczelki drzwi, aby zapewnić prawidłowe ich zamykanie.
- ▶ Rozmrażaj zamrożoną żywność w komorze chłodziarki lub użyj funkcji D-Frost w pojemniku My Zone.
- ▶ Najbardziej energooszczędna konfiguracja wymaga, aby szuflada, pojemnik na żywność i półki były umieszczone w urządzeniu jak w stanie fabrycznym, a żywność nie blokowała wylotu powietrza z kanału.



## Uwaga

Ze względu na różne modele, Twój produkt może nie mieć wszystkich poniższych funkcji. Patrz rozdział Opis produktu.

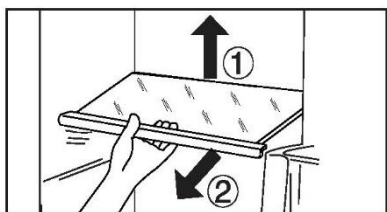


## System obiegu powietrza

Chłodziarka jest wyposażona w system obiegu powietrza, dzięki któremu chłodne strumienie powietrza znajdują się na każdym poziomie półki. Pomaga to utrzymać jednolitą temperaturę, dzięki czemu żywność jest dłużej świeża

## Regulowane półki

1. Wysokość półek można dostosować do potrzeb przechowywania.
2. Aby przenieść półkę, zdejmij ją najpierw, podnosząc tylną krawędź ① i wyciągając ②.
3. Aby ponownie zamontować półkę, należy nałożyć ją na uchwyty po obu stronach i przesunąć do pozycji najbardziej wysuniętej do tyłu, aż tylna część półki znajdzie się w szczelinach po bokach



## Uwaga

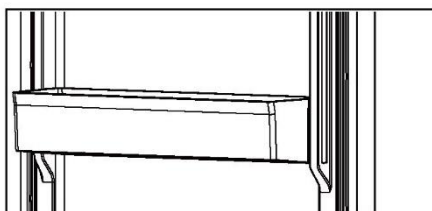
Upewnij się, że wszystkie końce półki są wypoziomowane.

## Zdejmowana półka na drzwiach

Półkę znajdującą się na drzwiach można zdjąć do czyszczenia:

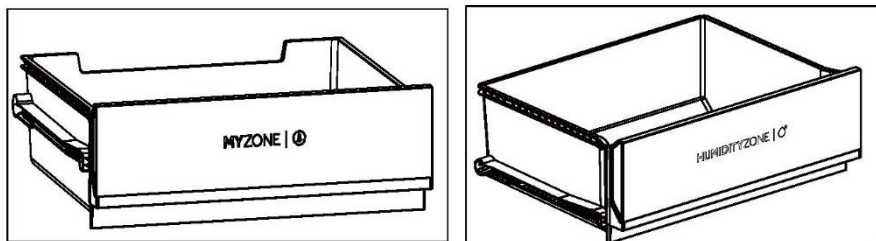
Położ dłoń po obu stronach półki, podnieś ją do góry (1) i wyciągnij (2).

W celu ponownego zamontowania półek znajdujących się na drzwiach powyższe czynności wykonuje się w odwrotnej kolejności.



## Pojemnik My Zone

Informacje na temat korzystania i ustawiania komory My Zone znajdują się w części UŻYTKOWANIE (My Zone).



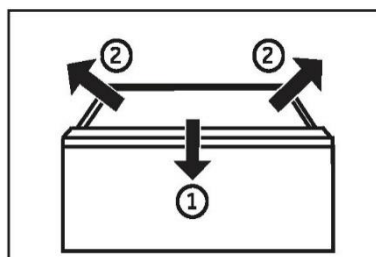
## Pojemnik Humidity Zone

W tej komorze poziom wilgotności jest kontrolowany automatycznie przez system i nadaje się do przechowywania owoców, warzyw, sałatek itp.

### Wyjmowana szuflada

Aby wyjąć szufladę z komory chłodziarki lub zamrażarki, wyciągnij ją maksymalnie (1), podnieś i wyjmij (2).

W celu ponownego włożenia szuflady powyższe czynności wykonuje się w odwrotnej kolejności.



### Szuflada zamrażarki

Szufladę zamrażarki można prosto i kompletnie wysunąć. Montowane są na teleskopowej szynie typu easy roll. Abyś mógł wygodnie przechowywać i wyjmować produkty do zamrażania. Dzięki automatycznemu mechanizmowi zamykania drzwi obsługa jest łatwa i umożliwia oszczędność energii.

**OSTRZEŻENIE!**

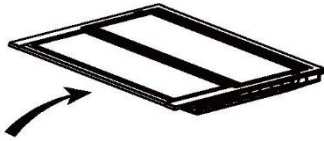
Nie przeciążaj szuflad: Maksymalne obciążenie każdej szuflady: 35 kg!

**Światło**

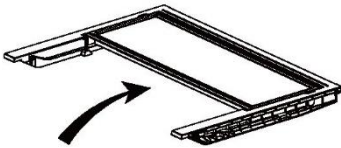
Po otwarciu drzwi zapala się wewnętrzne oświetlenie LED. Na działanie świateł nie mają wpływu żadne inne ustawienia urządzeń.

**Składane półki**

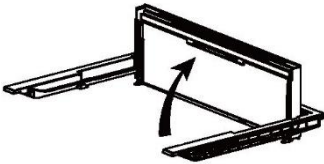
Składane półki pozwolą użytkownikowi umieścić na półkach wysokie butelki lub przedmioty. Półki można złożyć z tyłu, dzięki czemu dostępna przestrzeń dolnej półki będzie większa. Półkę można złożyć, wykonując kroki 1~3. Jeśli chcesz wrócić do pierwotnej lokalizacji, wykonaj poniższe czynności w odwrotnej kolejności.



Krok 1: Przesuń powoli przód półki do końca.



Krok 2: Przesuń powoli półkę w górę do pozycji pionowej.



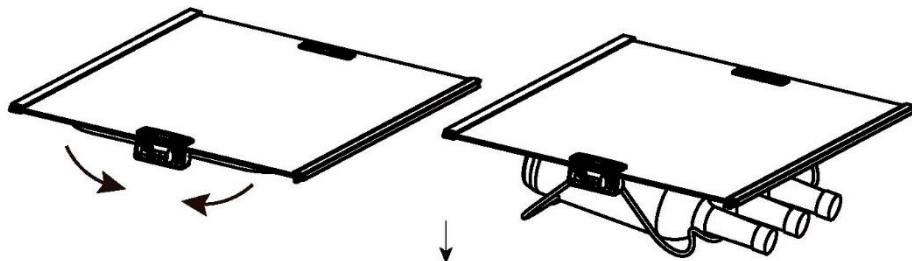
Krok 3: Półka jest pionowa.  
Pozwoli to zaoszczędzić miejsce.

## Składany stojak na butelki

Do normalnego użytku

1. Opuść wsporniki stojaka na butelki
2. Umieść butelki w stojaku

Gdy nie jest używany, stojak na butelki można złożyć, aby zaoszczędzić miejsce.



Maksymalnie: 10 kg

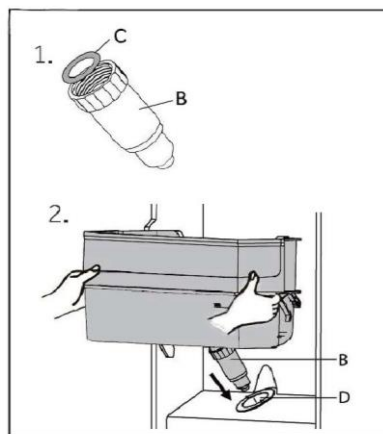
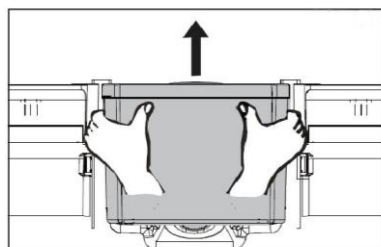
## Zbiornik na wodę

### Wyjmij zbiornik na wodę

Zbiornik na wodę można wyjąć i ponownie zainstalować w celu wyczyszczenia w taki sam sposób, jak półki w drzwiach.

### Włóż zbiornik na wodę

1. Upewnij się, że dzióbek dozownika (B) jest mocno przykręcony do zbiornika na wodę, a biały o-ring (C) jest na swoim miejscu.
2. Umieść zbiornik na wodę w takiej pozycji, aby dozownik (B) pasował do otworu w drzwiczkach (D).



### **i** Uwaga

- ▶ Upewnij się, że dzióbek jest mocno przykręcony do zbiornika na wodę, a biały pierścień O-ring (C) jest na swoim miejscu.
- ▶ Jeśli zbiornik na wodę nie jest prawidłowo włożony, z przyłącza może kapać woda.
- ▶ Nie używaj nadmiernej siły przy wyjmowaniu lub zakładaniu zbiornika na wodę, aby uniknąć jego uszkodzenia.



## OSTRZEŻENIE!

Przed czyszczeniem odłącz urządzenie od zasilania sieciowego.

### Czyszczenie

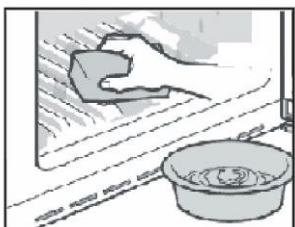
Urządzenie należy czyścić, gdy przechowywana jest niewielka ilość żywności lub nie ma jej wcale.

Urządzenie powinno być czyszczone co cztery tygodnie, aby zapewnić dobrą konserwację i zapobiec nieprzyjemnym zapachom przechowywanej żywności.



## OSTRZEŻENIE!

- ▶ Nie czyść urządzenia za pomocą twardych szczotek, szczotek drucianych, detergentów proszkowych, benzyny, octanu amylu, acetonu i podobnych roztworów organicznych, kwasu lub roztworów alkalicznych. Do czyszczenia należy używać specjalnego detergentu do chłodziarek, aby uniknąć uszkodzenia.
- ▶ Nie używaj aerozolu ani nie przepłukuj urządzenia podczas czyszczenia.
- ▶ Nie używaj wody lub pary do czyszczenia urządzenia.
- ▶ Nie czyść zimnych szklanych półek gorącą wodą. Nagła zmiana temperatury może spowodować pęknięcie szkła.
- ▶ Nie dotykaj wnętrza komory, zwłaszcza mokrymi rękami, ponieważ mogą one przymarznąć do jej powierzchni.
- ▶ W przypadku zwiększenia temperatury sprawdzić stan zamrożonych produktów.



- ▶ Uszczelka drzwi powinna być zawsze utrzymywana w czystości.
- ▶ Czyść wnętrze i obudowę urządzenia gąbką zanurzoną w ciepłej wodzie i neutralnym detergentem.
- ▶ 1. Czyść wnętrze i zewnętrzną część chłodziarki, w tym uszczelnienie drzwi, stojak na drzwi, szklane półki, pudełka itd., miękkim ręcznikiem lub gąbką zanurzoną w ciepłej wodzie (można dodać neutralny detergent do ciepłej wody).
- ▶ 2. W przypadku rozlania płynu usuń wszystkie zanieczyszczone elementy, bezpośrednio spłucz bieżącą wodą, osusz i włóż z powrotem do chłodziarki.
- ▶ 3. W przypadku rozlanego kremu (np. śmietany, topniejących lodów), należy wyjąć wszystkie zanieczyszczone części, włożyć je na chwilę do ciepłej wody o temperaturze ok. 40°C, następnie spłukać bieżącą wodą, osuszyć i włożyć z powrotem do chłodziarki.
- ▶ 4. W przypadku, gdy jakaś mała część lub element dostanie się do wnętrza chłodziarki (pomiędzy półki lub szuflady), użyć małego miękkiego pędzelka, aby go wyciągnąć. Jeśli nie udało się dotrzeć do tego elementu, prosimy o kontakt z serwisem Haier
- ▶ Spłucz i wysusz miękką ściereczką.
- ▶ Nie należy myć żadnych części urządzenia w zmywarce do naczyń.
- ▶ Odczekaj co najmniej 5 minut przed ponownym uruchomieniem urządzenia, ponieważ częste uruchamianie może uszkodzić sprężarkę.

### Rozmrażanie

Rozmrażanie komór chłodziarki i zamrażarki przebiega automatycznie; nie jest wymagana ręczna obsługa.

Wymiana lampek LED



### **OSTRZEŻENIE!**

Nie wolno samodzielnie wymieniać lampy LED, może to zrobić tylko producent lub autoryzowany serwis.

Jako źródło światła lampy wykorzystują diody LED, charakteryzujące się niskim zużyciem energii i długą żywotnością. W przypadku wystąpienia jakichkolwiek nieprawidłowości prosimy o kontakt z działem obsługi klienta. Zob. OBSŁUGA KLIENTA.

Parametry lamp:

| Część                   | Lampa LED  |
|-------------------------|------------|
| Napięcie w V            | 12 V       |
| Maksymalna moc w W      | 1,5 W      |
| Specyfikacja LED        | Biały-2835 |
| Klasa efektywności LED  | G          |
| Temperatura użytkowania | -40-80 °C  |

### **Nieużytkowanie przez dłuższy okres**

Jeżeli urządzenie nie będzie używane przez dłuższy czas i nie będzie wykorzystywana funkcja Holiday chłodziarki:

Wyjmij żywność.

Odłącz przewód zasilający.

Wyczyść urządzenie jak opisano powyżej.

Zostaw drzwi otwarte, aby zapobiec tworzeniu się wewnątrz nieprzyjemnych zapachów.



### **Uwaga**

Wyłącz urządzenie tylko wtedy, gdy jest to absolutnie konieczne.

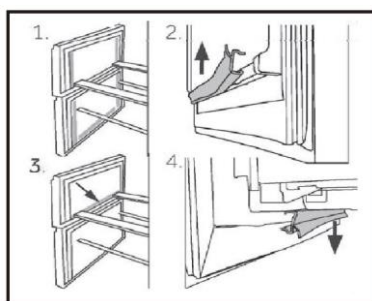


## Zdejmowane dodatkowe uszczelki drzwi

Na górnej i dolnej szufladzie zamrażarki znajduje się sześć dodatkowych uszczelki drzwi.

1. Znajdź pięć wskazanych uszczelki drzwi na górnej i dolnej szufladzie zamrażarki.
2. Upewnij się, że wygięte plastry uszczelki są skierowane do wewnątrz podczas mocowania.
3. Zlokalizuj dolną uszczelkę górnej szuflady, jak pokazano.
4. Upewnij się, że wygięty plaster tej uszczelki jest skierowany w dół podczas mocowania.

Uszczelki te, jak również uszczelki do drzwi obrotowych/szuflad, zostaną przekazane za pośrednictwem działu obsługi klienta (patrz karta gwarancyjna).



## Przenoszenie urządzenia

1. Wyjmij wszystkie produkty spożywcze i odłącz urządzenie od zasilania.
2. Zabezpiecz taśmą klejącą półki i inne ruchome części w zamrażarce.
3. Nie przechylaj chłodziarki pod kątem większym niż 45°, aby uniknąć uszkodzenia układu chłodniczego.

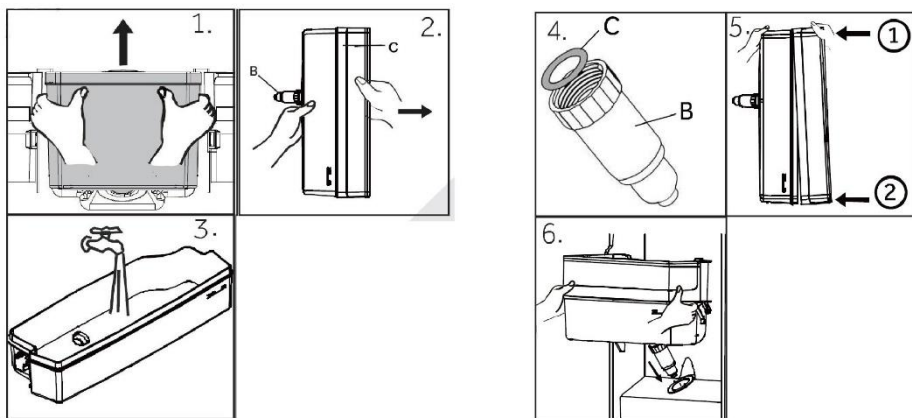


### **OSTRZEŻENIE!**

- ▶ Nie podnoś urządzenia za klamki.
- ▶ Nigdy nie należy ustawiać urządzenia poziomo na ziemi.

### Czyszczenie zbiornika na wodę

1. Wyjmij zbiornik na wodę z urządzenia.
2. Zdejmij pokrywę (C) i delikatnie odkręć dozownik (B).
3. Wyczyść zbiornik na wodę i dozownik ciepłą bieżącą wodą i płynem do mycia naczyń. Upewnij się, że całe mydło zostało spłukane
4. Zamontuj dziobek dozownika (B) i upewnij się, że jest mocno przykręcona do zbiornika na wodę, a biały o-ring (C) jest na swoim miejscu.
5. Naciśnij pokrywę, aby połączyć ją z jedną stroną zbiornika na wodę, a następnie z drugą stroną, sprawdź zbiornik na wodę i czy pokrywa jest całkowicie złożona.
6. Wymień zbiornik wewnątrz urządzenia. Upewnij się, że dozownik jest prawidłowo włożony w otwór w drzwiach.



### **i** Uwaga

- ▶ Jeśli zbiornik na wodę nie jest prawidłowo włożony, z przyłącza może kapać woda.
- ▶ Nie używaj nadmiernej siły przy wyjmowaniu lub zakładaniu zbiornika na wodę, aby uniknąć jego uszkodzenia.

Wiele problemów można rozwiązać samodzielnie, bez specjalistycznej wiedzy. W przypadku problemów prosimy sprawdzić wszystkie pokazane możliwości i postępować zgodnie z poniższymi instrukcjami przed skontaktowaniem się z obsługą posprzedażową. Zob. OBSŁUGA KLIENTA.



## OSTRZEŻENIE!

- ▶ Przed przystąpieniem do konserwacji wyłącz urządzenie i wyjmij wtyczkę z gniazdka sieciowego.
- ▶ Urządzenie elektryczne powinno być serwisowane tylko przez wykwalifikowanych ekspertów, ponieważ niewłaściwe naprawy mogą spowodować znaczne szkody.
- ▶ Jeśli kabel zasilania jest uszkodzony, musi on zostać wymieniony przez producenta, serwisanta lub inną wykwalifikowaną osobę w celu uniknięcia niebezpieczeństwa.

PL

## Tabela rozwiązywania problemów

| Problem                                                    | Potencjalna przyczyna                                                   | Możliwe rozwiązanie                                                                                                                                  |
|------------------------------------------------------------|-------------------------------------------------------------------------|------------------------------------------------------------------------------------------------------------------------------------------------------|
| Sprężarka nie działa.                                      | Wtyczka sieciowa nie jest podłączona do gniazdka.                       | Podłącz główną wtyczkę.                                                                                                                              |
|                                                            | Urządzenie znajduje się w cyklu rozmrażania.                            | Jest to normalne w przypadku automatycznego odszraniania.                                                                                            |
| Urządzenie działa często lub przez zbyt długi okres czasu. | Temperatura wewnątrz i na zewnątrz urządzenia jest za wysoka.           | W tym przypadku to normalne, że urządzenie będzie pracować dłużej.                                                                                   |
|                                                            | Urządzenie było odłączone od zasilania przez określony czas.            | Całkowite schłodzenie urządzenia trwa zazwyczaj od 8 do 12 godzin.                                                                                   |
|                                                            | Drzwi/szuflada urządzenia nie są szczelnie zamknięte.                   | Zamknij drzwi i upewnij się, że urządzenie jest ustawione na płaskiej powierzchni i żywność lub pojemniki nie blokują drzwi.                         |
|                                                            | Drzwi/szuflady były za często otwierane lub pozostawały długo otwarte.  | Nie otwieraj drzwi/szuflad zbyt często.                                                                                                              |
|                                                            | Ustawienie temperatury w komorze zamrażarki jest zbyt niskie.           | Ustaw wyższą temperaturę, aż do uzyskania zadowalającej temperatury w chłodzarnie. Ustabilizowanie się temperatury w chłodzarnie zajmuje 24 godziny. |
|                                                            | Uszczelki drzwi/szuflady są brudne, zużyte, pęknięte lub niedopasowane. | Wyczyść uszczelki drzwi/szuflady lub wymień je z pomocą serwisu obsługi klienta.                                                                     |

## Usuwanie usterek

|                                                                                            |                                                                       |                                                                                                |
|--------------------------------------------------------------------------------------------|-----------------------------------------------------------------------|------------------------------------------------------------------------------------------------|
|                                                                                            | Wymagany przepływ powietrza nie jest gwarantowany.                    | Zapewnij odpowiednią wentylację.                                                               |
| Wnętrze chłodziarki jest brudne i/lub nieprzyjemnie pachnie.                               | Wnętrze chłodziarki wymaga czyszczenia.                               | Wyczyść wnętrze chłodziarki.                                                                   |
|                                                                                            | W chłodziarce przechowywana jest żywność o intensywnym zapachu.       | Dokładnie owiń żywność.                                                                        |
| Wewnątrz urządzenia nie jest wystarczająco zimno.                                          | Ustawiona temperatura jest za wysoka.                                 | Ponownie ustaw temperaturę                                                                     |
|                                                                                            | Przechowywano zbyt ciepłą żywność.                                    | Zawsze schładzaj żywność przed jej przechowywaniem.                                            |
|                                                                                            | W chłodziarce umieszczono zbyt dużą ilość żywności.                   | Zawsze przechowuj małe ilości żywności.                                                        |
|                                                                                            | Żywność jest zbyt blisko siebie.                                      | Pozostawić przerwę między produktami spożywczymi, umożliwiając przepływ powietrza.             |
|                                                                                            | Drzwi/szuflada urządzenia nie są szczelnie zamknięte.                 | Zamknij drzwi/szufladę.                                                                        |
|                                                                                            | Drzwi/szuflad były za często otwierane lub pozostawały długo otwarte. | Nie otwieraj drzwi/szuflad zbyt często.                                                        |
| Wnętrze urządzenia jest za zimne.                                                          | Temperatura jest za niska.                                            | Ponownie ustaw temperaturę.                                                                    |
|                                                                                            | Funkcja Super Freeze jest włączona lub działa zbyt długo.             | Wyłączyć funkcję Super Freeze.                                                                 |
| Powstawanie wilgoci na wewnętrznych ściankach komory.                                      | Klimat jest zbyt ciepły i wilgotny.                                   | Zwiększ temperaturę.                                                                           |
|                                                                                            | Drzwi/szuflada urządzenia nie są szczelnie zamknięte.                 | Zamknij drzwi/szufladę.                                                                        |
|                                                                                            | Drzwi/szuflad były za często otwierane lub pozostawały długo otwarte. | Nie otwieraj drzwi/szuflad zbyt często.                                                        |
|                                                                                            | Pojemniki na żywność lub płyny są otwarte.                            | Pozostaw gorącą żywność do ostygnięcia do temperatury pokojowej i przykryj żywność oraz płyny. |
| Wilgoć gromadzi się na zewnętrznej powierzchni chłodziarki lub między drzwiami a szufladą. | Klimat jest zbyt ciepły i wilgotny.                                   | Jest to normalne zjawisko w wilgotnym klimacie i zmieni się, gdy wilgotność spadnie.           |
|                                                                                            | Drzwi/szuflada nie są szczelnie zamknięte.                            | Upewnij się, że drzwi/szuflada są szczelnie zamknięte.                                         |

|                                                      |                                                                         |                                                                                                          |
|------------------------------------------------------|-------------------------------------------------------------------------|----------------------------------------------------------------------------------------------------------|
| Nadmierny lód i szron w komorze zamrażarki.          | Artykuły spożywcze nie zostały odpowiednio zapakowane.                  | Zawsze dobrze pakuj żywność.                                                                             |
|                                                      | Drzwi/szuflada urządzenia nie są szczelnie zamknięte.                   | Zamknij drzwi/szufladę.                                                                                  |
|                                                      | Drzwi/szuflad były za często otwierane lub pozostawały długo otwarte.   | Nie otwieraj drzwi/szuflad zbyt często.                                                                  |
|                                                      | Uszczelki drzwi/szuflady są brudne, zużyte, pęknięte lub niedopasowane. | Wyczyść uszczelki drzwi lub wymień je na nowe.                                                           |
|                                                      | Coś wewnątrz uniemożliwia prawidłowe zamknięcie drzwi/szuflady.         | Ponownie umieść półki, półki na drzwi lub pojemniki wewnętrzne, aby umożliwić zamknięcie drzwi/szuflady. |
| Urządzenie wydaje dziwne dźwięki.                    | Urządzenie nie znajduje się na wypoziomowanym podłożu.                  | Wyreguluj nóżki, aby wypoziomować urządzenie.                                                            |
|                                                      | Urządzenie dotyka jakiegoś przedmiotu.                                  | Usuń obiekty znajdujące się w pobliżu urządzenia.                                                        |
| Słychać delikatny szum podobny do płynącej wody.     | To normalne.                                                            | /                                                                                                        |
| Usłyszysz sygnał alarmowy.                           | Drzwi komory chłodziarki są otwarte.                                    | Zamknij drzwi lub wycisz alarm ręcznie.                                                                  |
| Będziesz blisko słabego szumu.                       | Układ antykondensacyjny działa.                                         | Zapobiega to kondensacji i jest normalne.                                                                |
| Oświetlenie wnętrza lub układ chłodzenia nie działa. | Wtyczka sieciowa nie jest podłączona do gniazdka                        | Podłącz główną wtyczkę.                                                                                  |
|                                                      | Zasilanie nie jest w dobrym stanie.                                     | Sprawdź zasilanie elektryczne w pomieszczeniu. Skontaktuj się z lokalnym dostawcą energii elektrycznej!  |
|                                                      | Lampa LED nie działa.                                                   | Wezwij serwis w celu wymiany lampki.                                                                     |
| Boki obudowy i listwa drzwiowa nagrzewają się.       | To normalne.                                                            | /                                                                                                        |
| Woda nie wypływa z dozownika wody                    | Blokada nie jest dezaktywowana.                                         | Dezaktywuj blokadę                                                                                       |

### Przerwa w zasilaniu

- ▶ W przypadku przerwy w dostawie prądu żywność powinna zachować bezpieczną temperaturę przez około 13 godzin. Podczas dłuższej przerwy w dostawie prądu, zwłaszcza latem, należy stosować się do poniższych wskazówek.
- ▶ Unikaj częstego otwierania drzwi/szuflady.
- ▶ Nie wkładaj do urządzenia dodatkowej żywności podczas przerwy w dostawie prądu.
- ▶ W przypadku wcześniejszego powiadomienia o przerwie w dostawie prądu, a czas trwania przerwy jest dłuższy niż 13 godzin, należy przygotować kilka kostek lodu i umieścić je w pojemniku na górnej półce komory chłodziarki.
- ▶ Kontrola towaru jest wymagana niezwłocznie po przerwie.
- ▶ Ponieważ temperatura w chłodziarce wzrośnie podczas przerwy w zasilaniu lub innej awarii, okres przechowywania i jadalna jakość żywności ulegną skróceniu. Każda żywność, która się rozmraża, powinna zostać spożyta lub ugotowana i ponownie zamrożona (w stosownych przypadkach) wkrótce po tym, aby zapobiec zagrożeniom dla zdrowia.



### Uwaga

#### Funkcja pamięci podczas przerwy w zasilaniu

Po przywróceniu zasilania urządzenie kontynuuje ustawienia ustawione przed awarią zasilania.

Aby skontaktować się z pomocą techniczną, odwiedź naszą stronę internetową: <https://corporate.haier-europe.com/en/>

W sekcji „Strona internetowa” wybierz markę swojego produktu i kraj. Zostaniesz przekierowany/a na konkretną stronę internetową, na której znajdziesz numer telefonu i inne sposoby kontaktu z pomocą techniczną.

## Rozpakowanie



### OSTRZEŻENIE!

- ▶ Urządzenie jest ciężkie. Prace powinny być wykonywane przez co najmniej dwie osoby.
- ▶ Wszystkie materiały opakowaniowe należy przechowywać poza zasięgiem dzieci i utylizować w sposób przyjazny dla środowiska.
- ▶ Wyjmij urządzenie z opakowania.
- ▶ Usuń całe opakowanie.

## Warunki środowiskowe

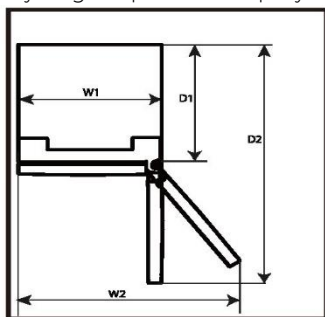
Temperatura w pomieszczeniu powinna zawsze wynosić od 10 °C do 43 °C, ponieważ może wpływać na temperaturę wewnątrz urządzenia i zużycie energii. Nie ustawiaj urządzeń w pobliżu innych urządzeń bez izolacji emitujących ciepło (piekarniki, chłodziarki).

## Zmiana kierunku otwierania drzwi

Przed zamontowaniem urządzenia na stałe należy sprawdzić prawidłowe położenie zawiasu drzwi. W razie potrzeby patrz rozdział ODWRACANIE DRZWI

## Wymagana przestrzeń

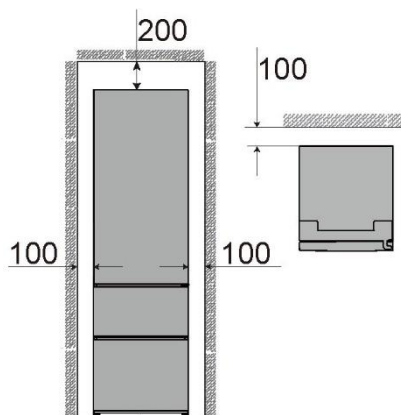
Wymagana przestrzeń przy otwarciu drzwi:



| Szerokość urządzenia w mm |     | Głębokość urządzenia w mm |      |
|---------------------------|-----|---------------------------|------|
| W1                        | W2  | D1                        | D2   |
| 595                       | 918 | 600                       | 1220 |

## Przekrój wentylatora

Aby zapewnić wystarczającą wentylację urządzenia ze względów bezpieczeństwa, należy przestrzegać informacji o wymaganych przekrojach wentylacji.



### Zmiana kierunku otwierania drzwi

Przed podłączeniem urządzenia do zasilania należy sprawdzić, czy nie trzeba zmienić kierunku otwierania drzwi z prawego (ustawienie przy odbiorze) na lewy, jeśli jest to konieczne ze względu na miejsce instalacji i użytkownika.



#### OSTRZEŻENIE!

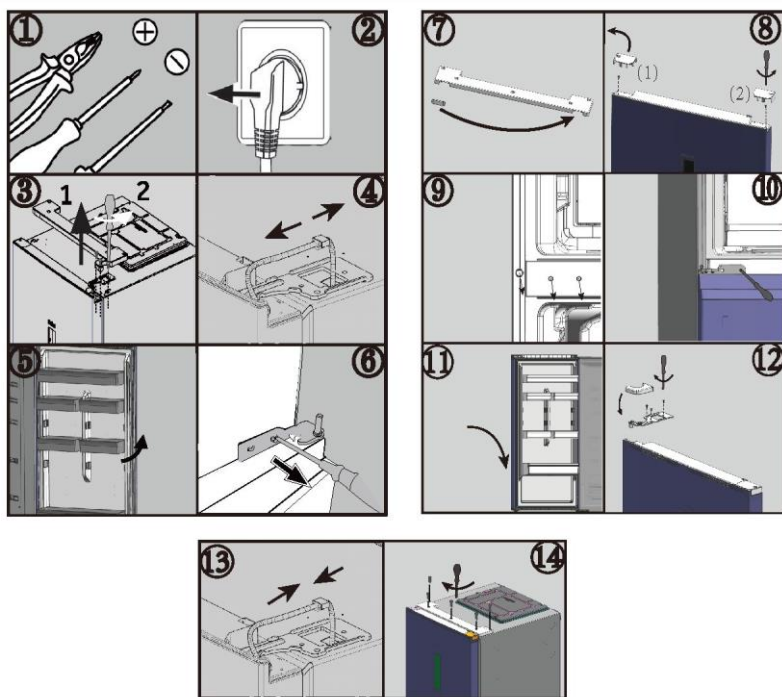
- ▶ Urządzenie jest ciężkie. Potrzebne są dwie osoby do zmiany kierunku otwierania drzwi.
- ▶ Przed rozpoczęciem jakichkolwiek czynności należy najpierw odłączyć urządzenie od sieci
- ▶ Nie przechylaj chłodziarki bardziej niż 45°, aby uniknąć uszkodzenia układu chłodniczego.

### Etapy montażu

1. Używaj odpowiednich narzędzi.
2. Odłącz urządzenie od prądu.
3. Zdejmij osłonę górnego zawiasu (1) i odkręć górny zawias (trzy śruby) po prawej stronie (2).
4. Odłącz kabel przyłączeniowy
5. Ostrożnie zdejmij luźne drzwi chłodziarki z dolnego zawiasu.
6. Zdejmij dolny zawias górnych drzwi
7. Zdejmij małą osłonę panelu przedniego od lewej do prawej strony.
8. Odwróć drzwi do góry nogami i odkręć pokrywę (1). Wyjmij nową osłonę (2) z potrzebnej torby i przykręć ją po przeciwnej stronie.
9. Zmień położenie zaślepek i śruby z boku.
10. Przykręć dolny zawias do lewej strony urządzenia.
11. Ostrożnie podnieść górne drzwi na dolnym zawiasie. Oraz upewnij się, że sworznię pasuje do tulei zawiasu dolnych drzwi.
12. Wyjmij nowy górny zawias i osłonę zawiasu z torby z akcesoriami. Przełóż kabel przyłączeniowy przez górny zawias i zamocuj górny zawias trzema śrubami po lewej stronie urządzenia. I załóż osłonę zawiasu na zawias.
13. Podłącz kabel przyłączeniowy.
14. Załóż panel przedni i przymocuj go pięcioma śrubami.

Po zmianie drzwi należy sprawdzić czy uszczelki drzwi dobrze leżą na obudowie i czy wszystkie śruby są dobrze dokręcone.





### Temperatury otoczenia

Rozszerzony zakres temperatur: To urządzenie chłodnicze przeznaczone jest do użytkowania w temperaturze otoczenia od 10°C do 32°C

Strefa umiarkowana: To urządzenie chłodnicze przeznaczone jest do użytkowania w temperaturze otoczenia od 16°C do 32°C;

Strefa subtropikalna: To urządzenie chłodnicze przeznaczone jest do użytkowania w temperaturze otoczenia od 16°C do 38°C;

Strefa tropikalna: To urządzenie chłodnicze przeznaczone jest do użytkowania w temperaturze otoczenia od 16 °C do 43 °C.

**Karta produktu zgodnie z rozporządzeniem UE nr 2019/2016**

Na podstawie standardowych wyników testów dla okresu 24 godzin. Rzeczywiste zużycie energii zależy od sposobu użytkowania urządzenia i jego lokalizacji

|                                                                                                                |                        |                        |                        |
|----------------------------------------------------------------------------------------------------------------|------------------------|------------------------|------------------------|
| Znak handlowy                                                                                                  | Haier                  | Haier                  | Haier                  |
| Identyfikator modelu                                                                                           | HTW5618DN*             | HTW5620DN*             | HTW5618DW*             |
| Kategoria modelu                                                                                               | Chłodziarko-zamrażarka | Chłodziarko-zamrażarka | Chłodziarko-zamrażarka |
| Klasa efektywności energetycznej                                                                               | D                      | D                      | D                      |
| Roczne zużycie energii (kWh/rok)                                                                               | 217                    | 226                    | 216                    |
| Pojemność chłodziarki (L)                                                                                      | 201                    | 255                    | 198                    |
| Pojemność zamrażarki (l)                                                                                       | 125                    | 125                    | 125                    |
| Pojemność My Zone (L)                                                                                          | 34                     | 34                     | 34                     |
| Oznakowanie gwiazdkami                                                                                         | 4                      | 4                      | 4                      |
| System bez szronu                                                                                              | Tak                    | Tak                    | Tak                    |
| Bezpieczne wyłączenie zasilania (h)/<br>Czas wzrostu temperatury (h)                                           | 13                     | 13                     | 13                     |
| Wydajność zamrażania (kg/24h)                                                                                  | 10                     | 10                     | 10                     |
| Klasa klimatyczna<br>To urządzenie jest przeznaczone do użytkowania w temperaturze otoczenia od 10 °C do 43 °C | SN/N/ST/T              | SN/N/ST/T              | SN/N/ST/T              |
| Klasa emisji hałasu i emisja hałasu akustycznego w powietrzu (dB(A) re 1 pW)                                   | 35                     | 35                     | 35                     |

|                                                                                                                |                        |                        |
|----------------------------------------------------------------------------------------------------------------|------------------------|------------------------|
| Znak handlowy                                                                                                  | Haier                  | Haier                  |
| Identyfikator modelu                                                                                           | HTW5618CN*             | HTW5620CN*             |
| Kategoria modelu                                                                                               | Chłodziarko-zamrażarka | Chłodziarko-zamrażarka |
| Klasa efektywności energetycznej                                                                               | C                      | C                      |
| Roczne zużycie energii (kWh/rok)                                                                               | 173                    | 181                    |
| Pojemność chłodziarki (L)                                                                                      | 201                    | 255                    |
| Pojemność zamrażarki (l)                                                                                       | 125                    | 125                    |
| Pojemność My Zone (L)                                                                                          | 34                     | 34                     |
| Oznakowanie gwiazdkami                                                                                         | 4                      | 4                      |
| System bez szronu                                                                                              | Tak                    | Tak                    |
| Bezpieczne wyłączenie zasilania (h)/<br>Czas wzrostu temperatury (h)                                           | 13                     | 13                     |
| Wydajność zamrażania (kg/24h)                                                                                  | 10                     | 10                     |
| Klasa klimatyczna<br>To urządzenie jest przeznaczone do użytkowania w temperaturze otoczenia od 10 °C do 43 °C | SN/N/ST/T              | SN/N/ST/T              |
| Klasa emisji hałasu i emisja hałasu akustycznego w powietrzu (dB(A) re 1 pW)                                   | 35                     | 35                     |

**Karta produktu zgodnie z rozporządzeniem UE nr 2019/2016**

Na podstawie standardowych wyników testów dla okresu 24 godzin. Rzeczywiste zużycie energii zależy od sposobu użytkowania urządzenia i jego lokalizacji

|                                                                                                                |                        |                        |                        |
|----------------------------------------------------------------------------------------------------------------|------------------------|------------------------|------------------------|
| Znak handlowy                                                                                                  | Haier                  | Haier                  | Haier                  |
| Identyfikator modelu                                                                                           | HDPW5618DN*            | HDPW5620DN*            | HDPW5618DW*            |
| Kategoria modelu                                                                                               | Chłodziarko-zamrażarka | Chłodziarko-zamrażarka | Chłodziarko-zamrażarka |
| Klasa efektywności energetycznej                                                                               | D                      | D                      | D                      |
| Roczne zużycie energii (kWh/rok)                                                                               | 214                    | 220                    | 214                    |
| Pojemność chłodziarki (L)                                                                                      | 201                    | 255                    | 198                    |
| Pojemność zamrażarki (l)                                                                                       | 117                    | 117                    | 117                    |
| Pojemność My Zone (L)                                                                                          | 34                     | 34                     | 34                     |
| Oznakowanie gwiazdkami                                                                                         | 4                      | 4                      | 4                      |
| System bez szronu                                                                                              | Tak                    | Tak                    | Tak                    |
| Bezpieczne wyłączenie zasilania (h)/<br>Czas wzrostu temperatury (h)                                           | 13                     | 13                     | 13                     |
| Wydajność zamrażania (kg/24h)                                                                                  | 10                     | 10                     | 10                     |
| Klasa klimatyczna<br>To urządzenie jest przeznaczone do użytkowania w temperaturze otoczenia od 10 °C do 43 °C | SN/N/ST/T              | SN/N/ST/T              | SN/N/ST/T              |
| Klasa emisji hałasu i emisja hałasu akustycznego w powietrzu (dB(A) re 1 pW)                                   | 35                     | 35                     | 35                     |

| Znak handlowy                                                                                                  | Haier                  | Haier                  | Haier                  |
|----------------------------------------------------------------------------------------------------------------|------------------------|------------------------|------------------------|
| Identyfikator modelu                                                                                           | HDPW5618CN*            | HDPW5620CN*            | HDPW5620AN*            |
| Kategoria modelu                                                                                               | Chłodziarko-zamrażarka | Chłodziarko-zamrażarka | Chłodziarko-zamrażarka |
| Klasa efektywności energetycznej                                                                               | C                      | C                      | A                      |
| Roczne zużycie energii (kWh/rok)                                                                               | 171                    | 176                    | 114                    |
| Pojemność chłodziarki (L)                                                                                      | 201                    | 255                    | 255                    |
| Pojemność zamrażarki (l)                                                                                       | 117                    | 117                    | 120                    |
| Pojemność My Zone (L)                                                                                          | 34                     | 34                     | 34                     |
| Oznakowanie gwiazdkami                                                                                         | 4                      | 4                      | 4                      |
| System bez szronu                                                                                              | Tak                    | Tak                    | Tak                    |
| Bezpieczne wyłączenie zasilania (h)/<br>Czas wzrostu temperatury (h)                                           | 13                     | 13                     | 16                     |
| Wydajność zamrażania (kg/24h)                                                                                  | 10                     | 10                     | 10                     |
| Klasa klimatyczna<br>To urządzenie jest przeznaczone do użytkowania w temperaturze otoczenia od 10 °C do 43 °C | SN/N/ST/T              | SN/N/ST/T              | SN/N/ST/T              |
| Klasa emisji hałasu i emisja hałasu akustycznego w powietrzu (dB(A) re 1 pW)                                   | 35                     | 35                     | 35                     |

**Dodatkowe dane techniczne**

| Identyfikator modelu             | HTW5618D*                                      | HTW5620DN*          | HTW5618CN*          | HTW5620CN*          |
|----------------------------------|------------------------------------------------|---------------------|---------------------|---------------------|
| Całkowita pojemność (l)          | 360<br>(357 dla HTW5618DWMG (Wielka Brytania)) | 414                 | 360                 | 414                 |
| Napięcie / Częstotliwość         | 220-240 V ~ / 50 Hz                            | 220-240 V ~ / 50 Hz | 220-240 V ~ / 50 Hz | 220-240 V ~ / 50 Hz |
| natężenie wejściowe (A)          | 1,4 A                                          | 1,4 A               | 1,4 A               | 1,4 A               |
| Bezpiecznik główny (A)           | 16A                                            | 16A                 | 15A                 | 15A                 |
| Chłodziwo/iłość                  | R600a/53g                                      | R600a/53g           | R600a/50g           | R600a/50g           |
| Wymiary (szer./głęb./ wys. w mm) | 595*667*1850                                   | 595*667*2050        | 595*667*1850        | 595*667*2050        |

| Identyfikator modelu             | HDPW5618D*   | HDPW5618DW*  | HDPW5620DN*  |
|----------------------------------|--------------|--------------|--------------|
| Całkowita pojemność (l)          | 352          | 349          | 406          |
| Napięcie / Częstotliwość         | 220-240/50Hz | 220-240/50Hz | 220-240/50Hz |
| natężenie wejściowe (A)          | 1,4 A        | 1,4 A        | 1,4 A        |
| Bezpiecznik główny (A)           | 16A          | 16A          | 16A          |
| Chłodziwo/iłość                  | R600a/53g    | R600a/53g    | R600a/53g    |
| Wymiary (szer./głęb./ wys. w mm) | 595*667*1850 | 595*667*1850 | 595*667*2050 |

| Identyfikator modelu            | HDPW5618CN*  | HDPW5620CN*  | HDPW5620AN*  |
|---------------------------------|--------------|--------------|--------------|
| Całkowita pojemność (l)         | 352          | 406          | 409          |
| Napięcie / Częstotliwość        | 220-240/50Hz | 220-240/50Hz | 220-240/50Hz |
| natężenie wejściowe (A)         | 1,4 A        | 1,4 A        | 1,4 A        |
| Bezpiecznik główny (A)          | 15A          | 15A          | 15A          |
| Chłodziwo/ilość                 | R600a/50g    | R600a/50g    | R600a/50g    |
| Wymiary (szer./głęb./wys. w mm) | 595*667*1850 | 595*667*2050 | 595*667*2050 |

### Normy i dyrektywy

Ten produkt spełnia wymagania wszystkich obowiązujących dyrektyw UE i odpowiednich norm zharmonizowanych określających oznakowanie CE.

Polecamy nasz system Obsługi Klienta Haier i stosowanie oryginalnych części zamiennych.

Jeśli masz problem z urządzeniem, najpierw sprawdź sekcję ROZWIĄZYWANIE PROBLEMÓW.

Jeżeli nie możesz znaleźć rozwiązania, prosimy o

- ▶ kontakt z lokalnym sprzedawcą lub
- ▶ naszym Europejskim Centrum Obsługi Klienta (zob. poniżej wymienione numery telefonów) lub
- ▶ obszarem serwisu i wsparcia na stronie [www.haier.com](http://www.haier.com), gdzie można aktywować zgłoszenie
- ▶ serwisowe i znaleźć odpowiedzi na najczęściej zadawane pytania.

Zanim skontaktujesz się z naszym działem obsługi, upewnij się, że masz następujące dane.

Informacje można znaleźć na tabliczce znamionowej.

Model \_\_\_\_\_

Nr seryjny \_\_\_\_\_

Sprawdź także kartę gwarancyjną dostarczoną z produktem.

| Europejskie Centrum Obsługi Klienta |                 |                                                                                                                                            |
|-------------------------------------|-----------------|--------------------------------------------------------------------------------------------------------------------------------------------|
| Kraj*                               | Numer telefonu  | Koszty                                                                                                                                     |
| Haier Italy (IT)                    | 199 100 912     |                                                                                                                                            |
| Haier Spain (ES)                    | 902 509 123     |                                                                                                                                            |
| Haier Germany (DE)                  | 0180 5 39 39 99 | <ul style="list-style-type: none"><li>• 14 centów/min. telefon stacjonarny</li><li>• maks. 42 centów/min. telefon komórkowy</li></ul>      |
| Haier Austria (AT)                  | 0820 001 205    | <ul style="list-style-type: none"><li>• 14,53 centów/min. telefon stacjonarny</li><li>• maks. 20 centów/min. wszystkie pozostałe</li></ul> |
| Haier United Kingdom (UK)           | 0333 003 8122   |                                                                                                                                            |
| Haier France (FR)                   | 0980 406 409    |                                                                                                                                            |





\* Numery innych krajów można znaleźć na stronie [www.haier.com](http://www.haier.com)

Haier Europe Trading S.r.l

Oddział Wielka Brytania

Westgate House, Westgate, Ealing

Londyn, W5 1YY

\*Okres gwarancji na urządzenie chłodnicze:

Minimalna gwarancja wynosi: 2 lata dla krajów UE, 3 lata dla Turcji, 1 rok dla Wielkiej Brytanii, 1 rok dla Rosji, 3 lata dla Szwecji, 2 lata dla Serbii, 5 lat dla Norwegii, 1 rok dla Maroka, 6 miesięcy dla Algierii, w Tunezji nie jest wymagana gwarancja prawna.

\*Okres dla części zamiennych do naprawy urządzenia:

Termostaty, czujniki temperatury, płytki drukowane i źródła światła są dostępne przez okres co najmniej siedem lat od wprowadzenia na rynek ostatniego egzemplarza modelu.

Klamki, zawiasy drzwi, tace i kosze przez co najmniej siedem lat, a uszczelki drzwi przez co najmniej 10 lat od wprowadzenia na rynek ostatniego egzemplarza modelu.

\*Aby uzyskać więcej informacji o produkcie, odwiedź stronę internetową <https://eprel.ec.europa.eu/> lub zeskanuj kod QR na etykiecie wydajności energetycznej dołączonej do urządzenia.

---

|                                     |     |
|-------------------------------------|-----|
| Informações de segurança.....       | 642 |
| Utilização prevista.....            | 648 |
| Descrição do produto.....           | 649 |
| Painel de controlo.....             | 655 |
| Utilização.....                     | 656 |
| Utilização Wi-Fi.....               | 661 |
| Utilização.....                     | 662 |
| Dicas para poupança de energia..... | 665 |
| Equipamento.....                    | 666 |
| Cuidados e Limpeza.....             | 670 |
| Resolução de problemas.....         | 674 |
| Instalação.....                     | 678 |
| Dados Técnicos.....                 | 681 |
| Assistência ao cliente.....         | 687 |



---

**Obrigado por comprar um produto Haier.**

Leia atentamente estas instruções antes de utilizar este aparelho. As instruções contêm informações importantes que irão ajudá-lo a compreender melhor o aparelho e garantir uma instalação, utilização e manutenção seguras e adequadas.

Mantenha este manual num local conveniente onde o possa sempre consultar para uma utilização segura e adequada do aparelho.

Se vender, oferecer ou deixar o aparelho para trás, caso mude de casa, certifique-se de que entrega também este manual para que o novo proprietário se possa familiarizar com o aparelho e os avisos de segurança com a ajuda do manual.



### **AVISO - Informação importante de segurança**



### **NOTA - Informações gerais e dicas**



### **Informação ambiental**



#### **Eliminação**

Ajude a proteger o ambiente e a saúde humana. Coloque a embalagem em recipientes adequados para reciclagem. Ajude a reciclar resíduos de aparelhos elétricos e eletrônicos. Não elimine os aparelhos identificados com este símbolo com o lixo doméstico. Entregue o produto na sua unidade de reciclagem local ou entre em contacto com seu gabinete municipal.



### **AVISO!**

Risco de lesão ou sufocação!

Os refrigerantes e os gases devem ser eliminados de forma profissional. Certifique-se de que os tubos do circuito refrigerante não estão danificados antes de serem devidamente eliminados. Desligue o aparelho da alimentação elétrica. Corte o cabo de alimentação de rede e elimine-o. Remova as bandejas e gavetas, bem como a pega e vedantes da porta, para evitar que crianças e animais de estimação se fechem no interior do aparelho.

## Antes de ligar o aparelho pela primeira vez, leia as seguintes dicas de segurança!:



### AVISO!

#### Antes da primeira utilização

- ▶ Certifique-se de que não há danos provocados pelo transporte.
- ▶ Remova todas as embalagens e mantenha-as fora do alcance das crianças.
- ▶ Aguarde no mínimo duas horas antes de instalar o aparelho, de forma a garantir que o circuito refrigerante está com eficiência total.
- ▶ Manuseie o aparelho sempre com pelo menos duas pessoas porque é pesado.

#### Instalação

- ▶ O aparelho deve ser colocado num local bem ventilado. Certifique-se de que existe um espaço de, pelo menos, 10 cm por cima e ao redor do aparelho.
- ▶ Nunca coloque o aparelho numa área húmida ou num local onde possa ser salpicado com água. Limpe e seque as salpicos de água e manchas com um pano macio limpo.
- ▶ Não instale o aparelho sob luz solar direta ou na proximidade de fontes de calor (por exemplo, fogões, aquecedores).
- ▶ Instale e nivele o aparelho numa área adequada para o seu tamanho e utilização.
- ▶ Mantenha as aberturas de ventilação no aparelho ou na estrutura embutida livres de obstruções.
- ▶ Certifique-se de que as informações elétricas na placa de classificação correspondem à fonte de alimentação. Se não, entre em contato com um eletricitista.
- ▶ O aparelho é operado por uma fonte de alimentação de 220-240 VAC/50 Hz. Uma flutuação da tensão anormal pode fazer com que o aparelho não ligue ou danifique o controlo da temperatura ou o compressor, ou pode haver um ruído anormal durante o funcionamento. Nesse caso, deve ser montado um regulador automático.
- ▶ Use uma tomada de terra separada para a fonte de alimentação que seja fácil de aceder. Este aparelho deve ser ligado à terra.
- ▶ Apenas para o Reino Unido: O cabo de alimentação do aparelho está equipado com uma ficha de 3 cabos (terra) que se encaixa numa tomada standard de 3 cabos (ligada à terra). Nunca corte ou desmonte o terceiro pino (terra). Após a instalação do aparelho, a tomada deve ficar acessível.
- ▶ Não use adaptadores de fichas múltiplas nem cabos de extensão.
- ▶ Certifique-se de que o cabo de alimentação não fica preso pelo frigorífico. Não pise o cabo de alimentação.
- ▶ Não danifique o circuito refrigerante.
- ▶ Não coloque tomadas triplas múltiplas portáteis ou fontes de alimentação portáteis na parte traseira do aparelho.



## AVISO!

### Utilização diária

- ▶ Este aparelho pode ser utilizado por crianças de idade igual ou superior a 8 anos e por pessoas com capacidades físicas, sensoriais ou mentais reduzidas ou falta de experiência e conhecimento, caso lhes tenha sido fornecida supervisão ou instruções relativas à utilização do aparelho de forma segura e desde que compreendam os perigos envolvidos.
- ▶ As crianças não devem brincar com o aparelho.
- ▶ As crianças de 3 a 8 anos são autorizadas a carregar e descarregar aparelhos de refrigeração, mas não podem limpar e instalar os aparelhos de refrigeração.
- ▶ Mantenha as crianças com menos de 3 anos afastadas do aparelho, a menos que estejam sob supervisão o tempo todo.
- ▶ A limpeza e manutenção pelo utilizador não deve ser realizada por crianças sem supervisão.
- ▶ O aparelho deve ser posicionado de modo a que a ficha fique acessível.
- ▶ Se o gás refrigerante ou outro gás inflamável verter perto do aparelho, desligue a válvula do gás de fuga, abra as portas e janelas e não desligue uma ficha no cabo de alimentação do frigorífico ou de qualquer outro aparelho.
- ▶ Notar que o aparelho está definido para funcionar num intervalo de temperatura ambiente específico entre 10 °C e 43 °C. O aparelho não pode funcionar corretamente se for deixado por um longo período a uma temperatura acima ou abaixo do intervalo indicado.
- ▶ Não coloque artigos instáveis (objetos pesados, recipientes cheios de água) em cima do frigorífico/congelador, para evitar lesões causadas por queda ou choque elétrico causado pelo contato com a água.
- ▶ Não puxe pelas prateleiras da porta. A porta pode inclinar-se, o suporte de garrafas pode sair para fora ou o aparelho pode tombar.
- ▶ Abra e feche a porta apenas pelas pegas. O espaço entre a porta e o armário é muito estreito. Não coloque as mãos nessas áreas para evitar entalar os dedos. Abra ou feche as portas do frigorífico/congelador apenas quando não houver crianças dentro do alcance do movimento das portas.
- ▶ Nunca guarde cerveja nem refrigerantes engarrafados, líquidos em garrafas ou latas (exceto bebidas alcoólicas) especialmente bebidas gaseificadas no congelador, porque estas rebentam quando congeladas.
- ▶ Não guarde substâncias explosivas como, por exemplo, latas de aerossóis, com um carburante inflamável, no interior deste aparelho.



## AVISO!

- ▶ Não guarde medicamentos, bactérias ou agentes químicos no aparelho. Este aparelho é um eletrodoméstico. Não é recomendado armazenar materiais que necessitem de temperaturas rigorosas.
- ▶ Para evitar a contaminação de alimentos considere as seguintes instruções:
- ▶ - Abrir a porta durante longos períodos provoca um aumento de temperatura significativo nos compartimentos do aparelho.
- ▶ - Limpar regularmente as superfícies que entram em contacto com alimentos e sistemas de drenagem acessíveis.
- ▶ - Limpar os depósitos de água se não tiverem sido usados durante 48 h; enxague o sistema de água conectado a uma alimentação de água se a água não tiver sido extraída durante 5 dias.
- ▶ - Guarde carne e peixe crus em recipientes adequados no frigorífico, de forma a não estarem em contacto nem verterem para outros alimentos.
- ▶ - Os compartimentos de comida congelada de duas estrelas são adequados para se guardar alimentos pré-congelados, guardar ou fazer gelado e fazer cubos de gelo.
- ▶ - Os compartimentos de uma, duas ou três estrelas não são adequados para congelar alimentos frescos.
- ▶ - Se o frigorífico for deixado vazio durante longos períodos, desligue, descongele, limpe, seque e deixe a porta aberta para evitar que se forme bolor dentro do aparelho.
- ▶ Verifique o estado dos alimentos caso ocorra aquecimento no congelador.
- ▶ Não ajuste uma temperatura desnecessariamente baixa no frigorífico. Podem ocorrer temperaturas negativas com altas definições. Atenção: As garrafas podem rebentar.
- ▶ Não toque em artigos congelados com as mãos húmidas (use luvas). Especialmente não coma gelados de gelo imediatamente depois de os retirar do congelador. Existe o risco de congelar ou de se formarem bolhas de queimadura por gelo. PRIMEIROS socorros: passar imediatamente por água fria corrente. Não puxe para se afastar!
- ▶ Não toque na superfície interna do compartimento do congelador, quando em funcionamento, especialmente com as mãos molhadas, pois as mãos podem congelar na superfície.
- ▶ Desligue o aparelho em caso de interrupção da energia ou antes da limpeza. Deixe passar pelo menos 7 minutos antes de voltar a ligar o aparelho pois o arranque frequente pode danificar o compressor
- ▶ Não use aparelhos elétricos no interior dos compartimentos para alimentos do aparelho, a não ser que sejam do tipo recomendado pelo fabricante



## AVISO!

### Manutenção/limpeza

- ▶ Certifique-se de que as crianças estão vigiadas caso estejam a realizar a limpeza e manutenção.
- ▶ Desligue o aparelho da alimentação elétrica antes de realizar qualquer manutenção de rotina. Deixe passar pelo menos 5 minutos antes de voltar a ligar o aparelho pois o arranque frequente pode danificar o compressor.
- ▶ Segure a ficha, não o cabo, ao desligar o aparelho.
- ▶ Não limpe o aparelho com escovas duras, escovas de arame, detergente em pó, gasolina, acetato de amilo, acetona e soluções orgânicas semelhantes, soluções ácidas ou alcalinas. Limpe com detergente especial para frigorífico/congelador para evitar danos. No final use água morna e solução de bicarbonato de sódio - cerca de uma colher de sopa de bicarbonato de sódio para um litro de água. Enxaguar abundantemente com água e secar. Não utilize pós de limpeza ou outros produtos de limpeza abrasivos. Não lave as peças removíveis na máquina de lavar loiça.
- ▶ Não raspe o gelo com objetos afiados. Não use sprays, aquecedores elétricos, como secadores de cabelo, dispositivos de limpeza a vapor ou outras fontes de calor, de forma a evitar danos às peças plásticas.
- ▶ Não utilize dispositivos mecânicos ou outros meios para acelerar o processo de descongelação, que não os recomendados pelo fabricante.
- ▶ Se o cabo de alimentação estiver danificado, tem de ser substituído pelo fabricante, pelo agente de serviço ou por pessoas igualmente qualificadas de forma a evitar o perigo.
- ▶ Não tente reparar, desmontar ou modificar o aparelho sozinho. Em caso de reparação, entre em contato com a nossa assistência ao cliente.
- ▶ Se as luzes de iluminação estiverem danificadas, devem ser substituídas pelo fabricante, pelo seu agente de serviço ou por pessoas qualificadas similares, a fim de evitar riscos.
- ▶ Elimine o pó na parte de trás da unidade pelo menos uma vez no ano para evitar perigo de incêndio, bem como o aumento do consumo de energia.
- ▶ Não pulverize ou lave o aparelho durante a limpeza.
- ▶ Não use spray de água ou vapor para limpar o aparelho.
- ▶ Não limpe prateleiras de vidro ou o vidro da porta frios com água quente. Uma mudança de temperatura repentina pode partir o vidro.
- ▶ Se deixar de utilizar o seu aparelho durante um período prolongado, deixe-o aberto para evitar odores e cheiros desagradáveis dentro.



## Informações sobre gases refrigerantes



### AVISO!

O aparelho contém o refrigerante inflamável ISOBUTANO (R600a). Certifique-se de que o circuito refrigerante não fica danificado durante o transporte ou instalação. A fuga de refrigerante pode causar lesões oculares ou inflamações. Se ocorrer um dano, mantenha afastadas fontes de chama aberta, ventile completamente a sala, não ligue ou desligue os cabos de alimentação do eletrodoméstico ou de qualquer outro aparelho. Informe a assistência ao cliente.

No caso de os olhos entrarem em contacto com o fluido refrigerante, lave-os imediatamente sob água corrente e contacte imediatamente um oftalmologista.

O sistema de refrigeração está sob alta pressão. Não o viole. Uma vez que são utilizados refrigerantes inflamáveis, instale, manuseie e repare o aparelho estritamente de acordo com as instruções e contacte o agente profissional ou o nosso serviço pós-venda para eliminar o aparelho.

Para frigoríficos com função de água gelada, preste atenção ao seguinte aviso:

- Para aparelhos que não se destinam a ser ligados ao abastecimento de água: encher unicamente com água potável.
- Para aparelhos destinados a ser ligados ao abastecimento de água: ligar unicamente ao fornecimento de água potável.
- Se quiser limpar o sistema de água, consulte o Manual do Utilizador. Se tiver alguma dúvida, entre em contato com o serviço pós-venda.

### Utilização prevista

Este aparelho destina-se a arrefecer e congelar alimentos. Foi desenhado exclusivamente para uso em aplicações domésticas e semelhantes, como áreas de cozinha para pessoal em lojas, escritórios e outros ambientes de trabalho; casas agrícolas e por clientes em hotéis, motéis e outros ambientes de tipo residencial, bem como em negócios de pousada e de catering. Não se destina a utilização comercial ou industrial. Não são permitidas alterações ou modificações no aparelho. Uma utilização indevida pode causar riscos e perda de reivindicações de garantia.

### Normas e diretivas

Este produto cumpre os requisitos de todas as diretivas CE aplicáveis com as normas harmonizadas correspondentes e normas UK, que permitem a marcação CE e UKCA.

### Acessórios

Verifique os acessórios e a literatura de acordo com esta lista:

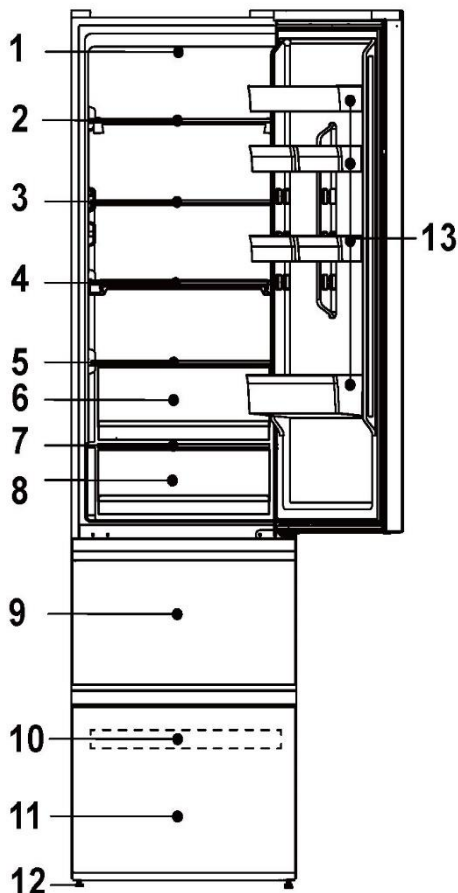


### AVISO

Devido a alterações técnicas e a modelos diferentes, algumas das ilustrações neste manual podem ser diferentes do seu modelo.

**i** AVISO

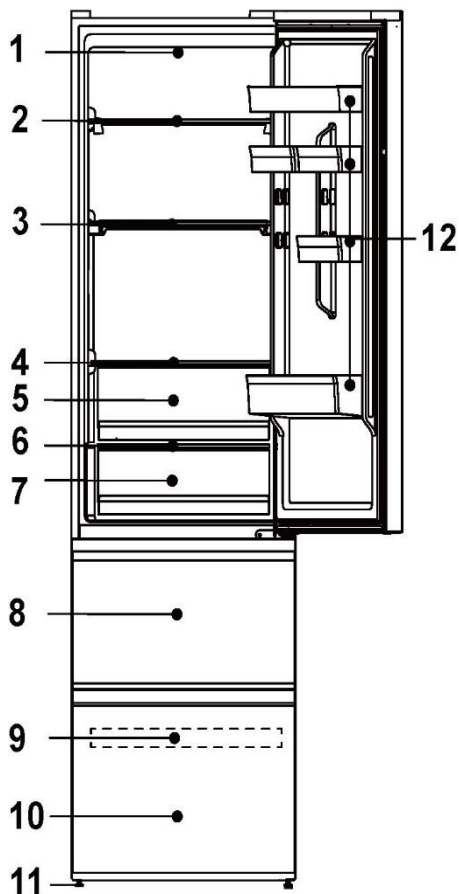
Devido a alterações técnicas e a modelos diferentes, algumas das ilustrações neste manual podem ser diferentes do modelo. (HTW5620\*N\*)



- 1-Lâmpada LED do frigorífico
- 2-Suporte para vinho
- 3-Prateleira de vidro
- 4-Prateleira dobrável
- 5-Tampa da caixa Humidity Zone
- 6-Caixa Humidity Zone
- 7-Tampa da caixa My Zone
- 8-Caixa My Zone
- 9-Gaveta superior do congelador
- 10-Bandeja do congelador
- 11-Gaveta inferior do congelador
- 12-Pés ajustáveis
- 13-Prateleira da porta

### **i** AVISO

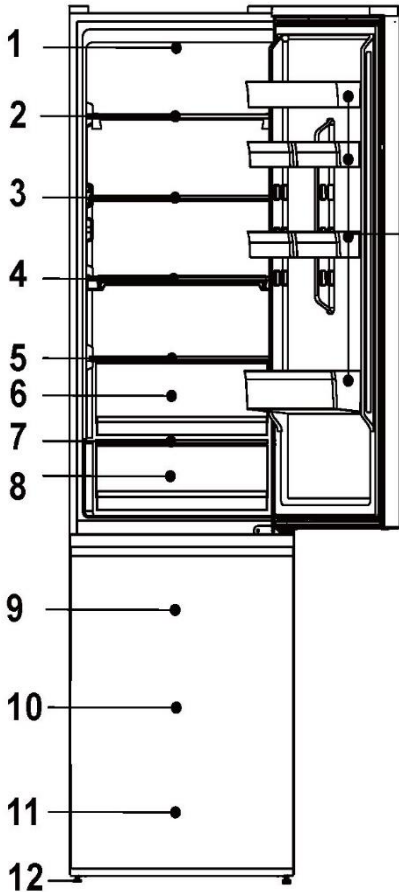
Devido a alterações técnicas e a modelos diferentes, algumas das ilustrações neste manual podem ser diferentes do modelo. (HTW5618\*N\*)



- 1-Lâmpada LED do frigorífico
- 2-Suporte para vinho
- 3-Prateleira dobrável
- 4-Tampa da caixa Humidity Zone
- 5-Caixa Humidity Zone
- 6-Tampa da caixa My Zone
- 7-Caixa My Zone
- 8-Gaveta superior do congelador
- 9-Bandeja do congelador
- 10-Gaveta inferior do congelador
- 11-Pés ajustáveis
- 12-Prateleira da porta

**i** AVISO

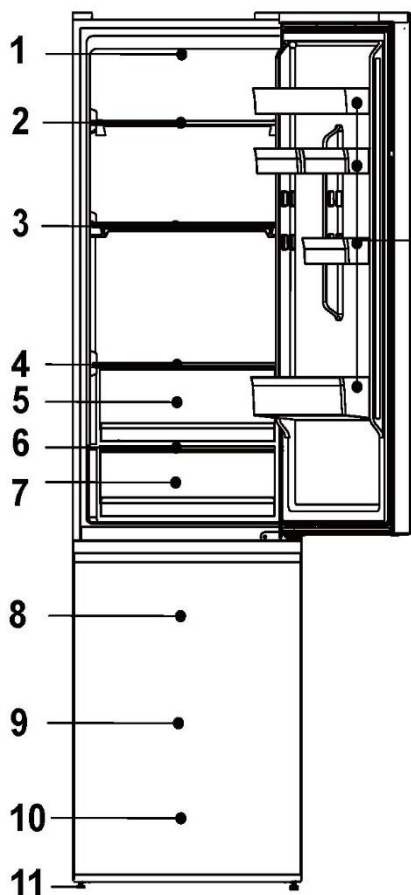
Devido a alterações técnicas e a modelos diferentes, algumas das ilustrações neste manual podem ser diferentes do modelo. (HDPW5620\*N\*)



- 1-Lâmpada LED do frigorífico
- 2-Suporte para vinho
- 3-Prateleira de vidro
- 4-Prateleira dobrável
- 5-Tampa da caixa Humidity Zone
- 6-Caixa Humidity Zone
- 7-Tampa da caixa My Zone
- 8-Caixa My Zone
- 9-Gaveta superior do congelador
- 10-Gaveta intermédia do congelador
- 11-Gaveta inferior do congelador
- 12-Pés ajustáveis
- 13-Prateleira da porta

### **i** AVISO

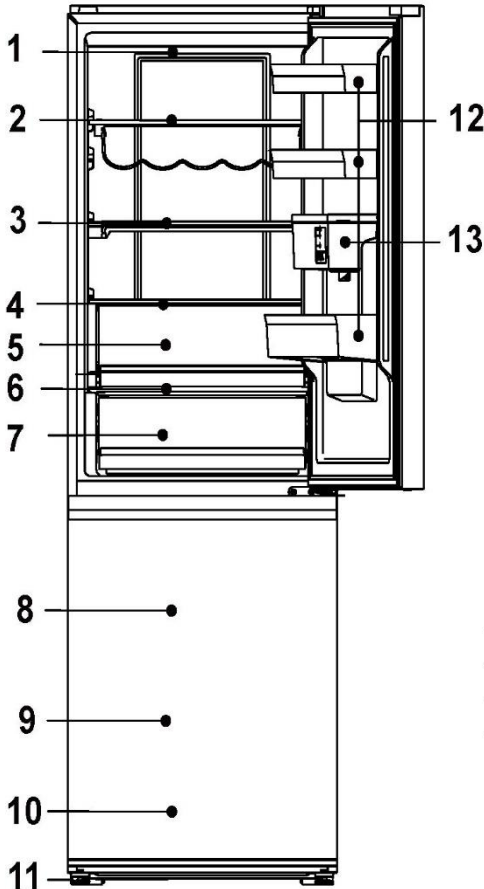
Devido a alterações técnicas e a modelos diferentes, algumas das ilustrações neste manual podem ser diferentes do modelo. (HDPW5618\*N\*)



- 1-Lâmpada LED do frigorífico
- 2-Suporte para vinho
- 3-Prateleira dobrável
- 4-Tampa da caixa Humidity Zone
- 5-Caixa Humidity Zone
- 6-Tampa da caixa My Zone
- 7-Caixa My Zone
- 8-Gaveta superior do congelador
- 9-Gaveta intermédia do congelador
- 10-Gaveta inferior do congelador
- 11-Pés ajustáveis
- 12-Prateleira da porta

**i** AVISO

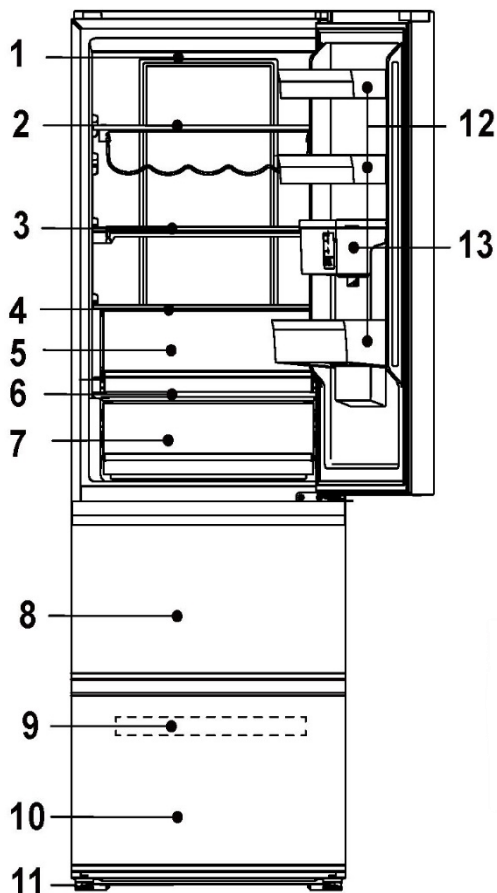
Devido a alterações técnicas e a modelos diferentes, algumas das ilustrações neste manual podem ser diferentes do modelo. (HDPW5618DW\*)



- 1-Lâmpada LED do frigorífico
- 2-Suporte para vinho
- 3-Prateleira dobrável
- 4-Tampa da caixa Humidity Zone
- 5-Caixa Humidity Zone
- 6-Tampa da caixa My Zone
- 7-Caixa My Zone
- 8-Gaveta superior do congelador
- 9-Gaveta intermédia do congelador
- 10-Gaveta inferior do congelador
- 11-Pés ajustáveis
- 12-Prateleira da porta
- 13-Depósito de água

### **i** AVISO

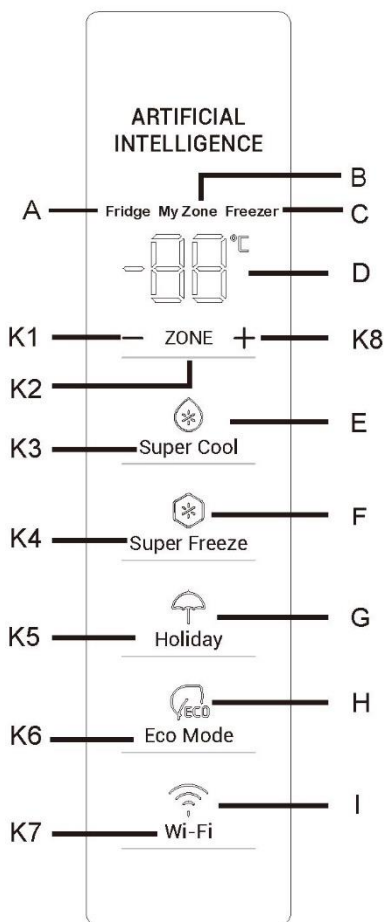
Devido a alterações técnicas e a modelos diferentes, algumas das ilustrações neste manual podem ser diferentes do modelo. (HTW5618DW\*)



- 1-Lâmpada LED do frigorífico
- 2-Suporte para vinho
- 3-Prateleira dobrável
- 4-Tampa da caixa Humidity Zone
- 5-Caixa Humidity Zone
- 6-Tampa da caixa My Zone
- 7-Caixa My Zone
- 8-Gaveta superior do congelador
- 9-Bandeja do congelador
- 10-Gaveta inferior do congelador
- 11-Pés ajustáveis
- 12-Prateleira da porta
- 13-Depósito de água



## Painel de controlo



### Botões:

- Compartimento do frigorífico
- B Compartimento My Zone
- C Compartimento do congelador
- D Indicação da temperatura
- E Função Super Cool
- F Função Super Freeze
- G Função Holiday
- H Função Eco Mode
- I Função Wi-Fi

### Indicadores:

- K1 Diminuir a temperatura
- K2 Seleção de Frigorífico, My Zone e Congelador
- K3 Ligar/Desligar função Super Cool
- K4 Ligar/Desligar a função Super Freeze
- K5 Ligar/Desligar a função Holiday
- K6 Ligar/Desligar função Eco Mode
- K7 Ligar/Desligar função Wi-Fi
- K8 Aumentar a temperatura

## Antes da primeira utilização

Remova todos os materiais de embalagem e mantenha-os fora do alcance das crianças e elimine-os de forma ecológica.

Limpe o interior e o exterior do aparelho, bem como o interior e os acessórios com água e um detergente suave, e seque bem com um pano macio.

Após o aparelho ter sido nivelado e limpo, aguarde pelo menos 2 horas antes de o ligar à fonte de alimentação. Consulte a secção INSTALAÇÃO.

Pré-arrefeça os compartimentos com definições elevadas antes de carregar com alimentos. A função Super Freeze ajuda a arrefecer rapidamente o compartimento do congelador

### Botões do sensor

Os botões no painel de controlo são teclas de sensor que respondem logo quando tocadas levemente com o dedo.

### Ligar/desligar o aparelho

O aparelho fica em funcionamento assim que for ligado à fonte de alimentação.

Quando o aparelho é ligado pela primeira vez, os indicadores de temperatura "D" mostram os valores de predefinição (consulte o aviso abaixo).

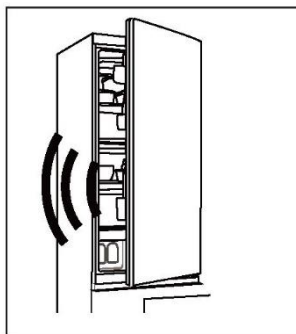
### AVISO

O aparelho está pré-ajustado para a temperatura recomendada de 5°C (frigorífico) e -18°C (congelador). A temperatura da My Zone está predefinida para cerca de 2°C. Estas são as definições recomendadas. Se desejar, pode alterar estas temperaturas manualmente.

### Alarme de abertura da porta

Quando a porta do frigorífico fica aberta durante mais de 3 minutos, o alarme de abertura da porta soa.

O alarme pode ser silenciado fechando a porta. Se a porta ficar aberta durante mais de 7 minutos, a luz no interior do frigorífico e a iluminação do painel de controlo apagam-se automaticamente.



Ajustar a temperatura

As temperaturas interiores são influenciadas pelos seguintes fatores:

Temperatura ambiente

Frequência de abertura da porta

Quantidade de alimentos armazenados

Instalação do aparelho

## Ajuste a temperatura para o frigorífico

1. Prima a tecla "K2" (seleção Frigorífico/(My Zone) / Congelador) para selecionar o compartimento do Frigorífico. O ícone "A" (compartimento do frigorífico) e "D" (exibição de temperatura) estão luminosos.
2. Prima a tecla "K1/K8" para ajustar a temperatura do frigorífico.

A temperatura aumenta em sequências de 1°C, de um mínimo de 2°C a um máximo de 8°C. A temperatura ótima no frigorífico é de 5°C. Temperaturas mais frias significam um consumo desnecessário de energia.

3. Depois de cerca de 5s, o ícone de temperatura "D" (Visor de temperatura) fica aceso permanentemente e a definição está confirmada.

### AVISO

A partir da aplicação é possível personalizar a temperatura tanto para o frigorífico quanto para o congelador. A temperatura pode ser ajustada com sensibilidade de 1°C.

## Ajuste a temperatura do congelador

1. Prima a tecla "K2" (seleção Frigorífico/ (My Zone) / Congelador) para selecionar para selecionar o compartimento do frigorífico, ícone "C" (compartimento do congelador) e "D" (exibição de temperatura) estão acesos.
2. Prima a tecla "K1/K8" para definir a temperatura do congelador.

A temperatura aumenta em sequências de 1°C, de um mínimo de -24°C até um máximo de -16°C. A temperatura ideal no frigorífico é -18. Temperaturas mais frias representam um consumo de energia desnecessário.

3. Depois de cerca de 5s, o indicador de temperatura "D" (Visor de temperatura) fica aceso permanentemente e a definição está confirmada.

### AVISO

Após a definição da temperatura, se outras teclas forem premidas dentro de 5 segundos, a regulação da temperatura atual será confirmada imediatamente. Se não for premida nenhuma tecla dentro de 5 segundos, a temperatura atualmente regulada é exibida até o ecrã se apagar.

### Ajuste a temperatura para My Zone

O compartimento do frigorífico está equipado com uma caixa My Zone. De acordo com as necessidades de armazenamento dos alimentos, a temperatura mais adequada pode ser selecionada para obter o valor nutricional ideal dos alimentos.

1. Prima a tecla "K2" (seleção Frigorífico/ (My Zone) / Congelador) para selecionar o compartimento My Zone. O ícone "B" (compartimento My Zone) e "D" (exibição de temperatura) estão acesos. Também pode ser selecionado a partir da aplicação.
2. Prima a tecla "K1/K8" para ajustar a temperatura da My Zone. A temperatura também pode ser ajustada na aplicação.

A temperatura aumenta em sequências de 1°C, de um mínimo de 0°C a um máximo de 5°C.

3. Depois de cerca de 5s, o ícone de temperatura "D" (Visor de temperatura) fica aceso permanentemente e a definição está confirmada.

#### AVISO

1. Pode definir a temperatura do compartimento My Zone para o nível médio (2°C), a fim de preservar seus alimentos no ambiente de armazenamento ideal.
2. Devido a diferentes conteúdos de água da carne, alguma carne com mais humidade será congelada a temperaturas inferiores a 0 °C. Assim, a carne "acabada de cortar" deve ser armazenada na caixa My Zone, com uma temperatura mínima de 0°C.
3. Frutas sensíveis ao frio como ananases, abacates, bananas, toranjas e legumes como batatas, beringelas, feijão, pepinos, abobrinhas e tomates e queijos não devem ser armazenados na caixa My Zone.
4. Se a temperatura do frigorífico for inferior à temperatura My Zone, é normal a temperatura My Zone ser menor do que a temperatura definida da My Zone.

### Função Super-Cool

1. Sugere-se ligar a função Super Cool se se tiver de guardar uma grande quantidade de alimentos (por exemplo após uma ida às compras). A função Super Cool acelera o arrefecimento de alimentos frescos e protege os alimentos armazenados de aquecimento indesejável.
2. Prima a tecla "K3" ou ative-a a partir da aplicação, o ícone "E" (Função Super Cool) fica aceso e a função é ativada.

## AVISO

1. O aparelho deixa a função "Super Cool" depois de entrar na "função Super Cool" durante 6 horas ou premindo a tecla "K3" quando o ícone "E" (função Super Cool) fica aceso ou desligar da aplicação.
2. No estado de Super Cool, se se ajustar a temperatura do compartimento do frigorífico, o ícone "E" (função Super Cool) pisca para indicar que esta operação não pode ser realizada.

## Função Super-Frz

1. Os alimentos frescos devem ser congelados o mais rapidamente possível até ao núcleo. Isto ajuda a preservar o melhor valor nutricional, a aparência e o sabor. A função Super Freeze acelera o arrefecimento de alimentos frescos e protege os alimentos já armazenados de aquecimento indesejável. Se precisar de congelar uma grande quantidade de alimentos de uma vez, recomenda-se definir a função Super Freeze atempadamente 24h antes da utilização do congelador.
2. Prima a tecla "K4" (definição da função Super Freeze) ou ligue a partir da aplicação, o ícone "F" (função Super Freeze) fica aceso e a função é ativada.

## AVISO

1. O aparelho deixa a função "Super Freeze" depois de entrar na "função Super Freeze" durante 50 horas ou premindo o botão "K4" quando o ícone "F" (função Super Freeze) fica aceso ou desligar da aplicação.
2. No estado de Super Freeze, se se ajustar a temperatura do compartimento do congelador, o ícone "F" (função Super Freeze) pisca para indicar que esta operação não pode ser realizada.

## Função Holiday

A função Holiday pode ser usada para reduzir o consumo de energia do aparelho, quando não é usado regularmente. Quando a função estiver ligada, o frigorífico está ligado, enquanto o congelador continua a funcionar normalmente. A função ajusta a temperatura do frigorífico permanentemente a 17°C.

Isto permite manter a porta do frigorífico vazia fechada sem causar cheiro ou mofo - durante uma longa ausência (p.ex. durante as férias). O compartimento do congelador pode ser configurado ao seu gosto.

1. Prima a tecla "K5" (função Holiday on/off) ou selecione a função da aplicação, o ícone "G" (função Holiday) fica aceso e a função é ativada.
2. A função pode ser desativada premindo novamente a tecla "K5" (ligar/desligar função Holiday) ou ajustando a temperatura do frigorífico ou realizando qualquer outra configuração ou desligando-a da aplicação.

### AVISO

1. Durante a função Holiday, nenhum alimento deve ser guardado no compartimento do frigorífico. A temperatura de +17 °C é demasiado elevada para armazenar alimentos.
2. Quando a função Holiday está ligada, o ícone My Zone continua desligado e a função do frigorífico está bloqueada. Se a temperatura do compartimento do frigorífico for ajustada, o ícone "G" (função Holiday) pisca para indicar que esta operação não pode ser feita.

### Função Eco Mode

O modo Eco Mode pode ser ativado para otimizar o desempenho do aparelho, obtendo-se simultaneamente o melhor armazenamento de alimentos. Se não tiver quaisquer requisitos especiais, recomendamos que utilize a função Eco Mode.

Neste modo, a temperatura do frigorífico é de 5 °C, a temperatura do congelador é de -18 °C.

1. Prima a tecla "K6" (Ligar/Desligar função Eco Mode) ou selecione a função da aplicação.
2. O ícone "H" (função Eco Mode) está aceso e a função é ativada.

Repetindo os passos acima ou selecionando uma outra função, ou desligando da aplicação, esta função pode ser desligada novamente. Os níveis de refrigeração definidos anteriormente são restaurados.

### AVISO

Durante a função Eco Mode, se a temperatura do compartimento frigorífico/congelador for ajustada, o ícone "H" (função Eco Mode) pisca para indicar que esta operação não pode ser feita.

Passo 1 Faça download da aplicação hOn nas lojas.

|                                                                                                                                                                                |                                                                                                                                                                |
|--------------------------------------------------------------------------------------------------------------------------------------------------------------------------------|----------------------------------------------------------------------------------------------------------------------------------------------------------------|
|                                                                                              |                                                                                                                                                                |
| <p><b>Passo 2</b> Crie a sua conta na aplicação hOn ou faça login se já tiver uma conta.</p>  | <p><b>Passo 3</b> Siga as instruções de emparelhamento na aplicação hOn.</p>  |

PT

## Função Wi-Fi

1. Siga as instruções da aplicação para configurar o Wi-Fi.
2. Logo que o Wi-Fi esteja configurado e a conexão estabelecida, o ícone Wi-Fi "I" fica aceso e fixo.
3. Se o Wi-Fi já estiver configurado, será reconectado automaticamente de acordo com as informações de configuração se se ligar o Wi-Fi.

### AVISO

1. Para desligar o Wi-Fi, prima a tecla Wi-Fi "K7" e o ícone Wi-Fi "I" desliga-se.
2. Para ativar o Wi-Fi e iniciar a configuração, prima a tecla Wi-Fi "K7" e o ícone Wi-Fi "I" começa a piscar lentamente. Se quiser configurar a função Wi-Fi, prima a tecla "K7" durante 3 segundos, o ícone Wi-Fi pisca rapidamente e entra no modo de configuração. Se quiser desligar a função Wi-Fi, prima uma vez a tecla "K7", uma vez. Os passos acima são repetidos.
3. Se o produto estiver configurado e a função Wi-Fi tiver sido desligada, o frigorífico não entrará no modo de configuração assim que for novamente conectado à energia elétrica

### AVISO

1. Este produto não se destina a utilização comercial.
2. A potência máxima de saída RF:2.4 GHz Wi-Fi:16dBm;
3. Bluetooth LE:5dBm; Bluetooth (BR/EDR):10dBm.
4. Faixa de frequência de funcionamento: 2400-2483,5 MHz.

## Guardar no compartimento do frigorífico

Mantenha a temperatura do frigorífico inferior a 5°C.

Os alimentos quentes devem ser arrefecidos até à temperatura ambiente antes de serem armazenados no aparelho.

Os alimentos armazenados no frigorífico devem ser lavados e secos antes de serem armazenados.

Os alimentos a armazenar devem estar devidamente selados para evitar alterações no aroma ou no sabor.

Não guarde quantidades excessivas de alimentos. Deixe espaços entre os alimentos para permitir que o ar frio flua ao seu redor, para um arrefecimento melhor e mais homogéneo.

Os alimentos consumidos diariamente devem ser guardados na frente da prateleira. Deixe um espaço entre os alimentos e as paredes internas, permitindo que o ar flua. Em caso algum, armazene alimentos encostados à parede traseira: os alimentos podem congelar contra a parede traseira. Evite o contacto direto dos alimentos (especialmente os alimentos oleosos ou ácidos) com o revestimento interno, pois o óleo/ácido pode erodir o revestimento interno. Limpe a sujidade oleosa/ácida sempre que for encontrada.

Os alimentos congelados podem ser delicadamente descongelados no compartimento do frigorífico. Isto economiza energia.

O processo de envelhecimento de frutas e vegetais tais como curgetes, melões, papaia, bananas, ananás, etc. pode ser acelerado no frigorífico. Por conseguinte, não é recomendado armazená-los no frigorífico. No entanto, a maturação de frutas fortemente verdes pode ser promovida durante um certo período. Cebolas, alho, gengibre e outros vegetais radiculares também devem ser armazenados à temperatura ambiente.

Odores desagradáveis dentro do frigorífico são um sinal de que algo foi derramado e é necessário limpar. Ver Cuidados e Limpeza.

Diferentes alimentos devem ser colocados em diferentes áreas, de acordo com as suas propriedades.

## Armazenamento no congelador

Mantenha a temperatura do congelador a -18°C.

24 horas antes de congelar, ligue a função Super-Freeze. Para pequenas quantidades de alimentos, 4-6 horas são suficientes.

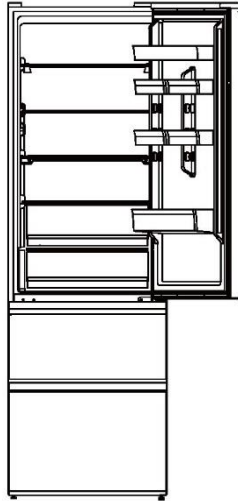
Os alimentos quentes devem ser arrefecidos até à temperatura ambiente antes de serem armazenados no congelador.

Alimentos cortados em pequenas porções irão congelar mais depressa e serão mais fáceis de descongelar e cozinhar. O peso recomendado para cada porção é inferior a 2,5 kg



É melhor embalar os alimentos antes de os colocar no congelador. O exterior da embalagem deve estar seco para evitar que os sacos se colem. Os materiais de embalagem devem estar isentos de odores, serem herméticos, não serem venenosos nem tóxicos.

Para evitar a expiração dos períodos de conservação, tome nota da data de congelamento, do prazo e o nome dos alimentos na embalagem, de acordo com os períodos de armazenamento dos diferentes alimentos.



### AVISO!

- ▶ Ácido, alcalino e sal, etc. podem erodir a superfície interna do congelador.
- ▶ Não coloque alimentos com estas substâncias (p.ex. peixe de mar) diretamente na superfície interna. A água salgada no congelador deve ser limpa imediatamente.
- ▶ Não exceda o tempo de armazenamento de alimentos recomendado pelos fabricantes. Retire apenas a quantidade necessária de alimentos do congelador.
- ▶ Consuma os alimentos descongelados rapidamente. Os alimentos descongelados não podem ser congelados novamente, a menos que sejam primeiro cozinhados.
- ▶ Não coloque quantidades excessivas de alimentos frescos no congelador. Consulte a capacidade de congelação do congelador - Ver DADOS TÉCNICOS ou dados na placa do tipo.
- ▶ Os alimentos podem ser armazenados no congelador a uma temperatura mínima de  $-18^{\circ}\text{C}$  durante 2 a 12 meses, dependendo das suas propriedades (por exemplo, carne: 3-12 meses, legumes: 6-12 meses)
- ▶ Quando congelar alimentos frescos, evite pô-los em contato com alimentos já congelados. Risco de descongelamento!

### Ao armazenar alimentos congelados comercialmente, siga estas diretrizes:

Siga sempre as diretrizes dos fabricantes relativas ao período de tempo que deve armazenar alimentos. Não exceda estas diretrizes!

Tente manter o tempo entre a compra e o armazenamento o mais curto possível para preservar a qualidade dos alimentos.

Compre alimentos congelados que tenham sido armazenados a uma temperatura igual ou inferior a -18 °C.

Evite comprar alimentos com gelo ou gelo na embalagem - Isto indica que os produtos podem ter sido parcialmente descongelados e congelados em algum momento - a temperatura afeta a qualidade dos alimentos.

### Dispensador de água

Com o dispensador de água é possível servir-se de água potável.

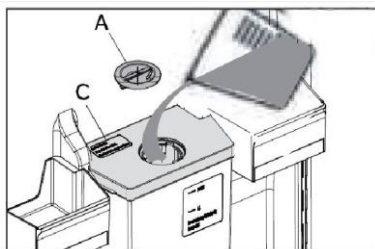
O depósito de água deve ser limpo antes da primeira utilização (ver CUIDADO E LIMPEZA).

### Encher do depósito de água

#### AVISO!

► Use apenas água potável.

1. Certifique-se de que o depósito de água está devidamente inserido (ver EQUIPAMENTO)
2. Rodar e levantar a tampa redonda (A) e deitar água potável fresca no depósito de água (Fig.5.10.1).
3. Encha água apenas até a marca (2.5 l) uma vez que pode transbordar quando se abre e fecha a porta.
4. Feche a tampa redonda (A) até encaixar no lugar com um "click".



#### AVISO

1. O aparelho deixa a função "Super Cool" depois de entrar na "função Super Cool" durante 6 horas ou premindo a tecla "K3" quando o ícone "E" (função Super Cool) fica aceso ou desligar da aplicação.
2. No estado de Super Cool, se se ajustar a temperatura do compartimento do frigorífico, o ícone "E" (função Super Cool) pisca para indicar que esta operação não pode ser realizada.

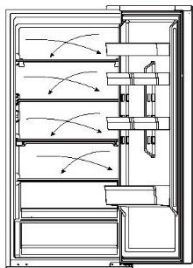


### Dicas de poupança de energia

- ▶ Certifique-se de que o aparelho está devidamente ventilado (ver INSTALAÇÃO).
- ▶ Não instale o aparelho sob luz solar direta ou na proximidade de fontes de calor (por ex., fogões, aquecedores).
- ▶ Evite temperaturas desnecessariamente baixas no aparelho. O consumo de energia aumenta com a diminuição da temperatura de ajuste no aparelho.
- ▶ As funções como SUPER FREEZE consomem mais energia.
- ▶ Deixe os alimentos arrefecer antes de os colocar no aparelho.
- ▶ Abra a porta do aparelho o mínimo e tão brevemente quanto possível.
- ▶ Não encha demasiado o aparelho para evitar obstruir o fluxo de ar.
- ▶ Evite ar dentro das embalagens de alimentos.
- ▶ Mantenha os vedantes da porta limpos para que a porta feche sempre corretamente.
- ▶ Descongele alimentos congelados no compartimento de armazenamento do frigorífico ou utilize a função D-Frost na caixa My Zone.
- ▶ A configuração mais economizadora de energia implica que a gaveta, caixa de alimentos e prateleiras estejam posicionadas no aparelho tal como vêm de fábrica, e que os alimentos sejam colocados sem bloquear a saída de ar das condutas.

### **i** Aviso

Devido a diferentes modelos, o seu produto pode não ter todas as seguintes características. Consulte o capítulo Descrição do Produto.I.

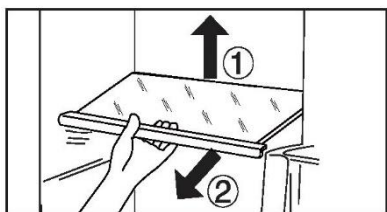


### **Fluxo de ar múltiplo**

O frigorífico está equipado com um sistema de fluxo de ar múltiplo que oferece fluxos de ar frio em cada nível de prateleira. Isso ajuda a manter uma temperatura uniforme para garantir que a sua comida é mantida mais fresca durante mais tempo.

### **Prateleiras ajustáveis**

1. A altura das prateleiras pode ser ajustada para se adaptar às suas necessidades de armazenamento.
2. Para transferir uma prateleira, remova-a primeiro levantando a sua extremidade traseira ① e puxando-a para fora ②.
3. Para a reinstalar, coloque-a sobre as patilhas dos dois lados e empurre-a para a posição mais para trás até que a parte traseira da prateleira fique fixa no interior das ranhuras nos lados.



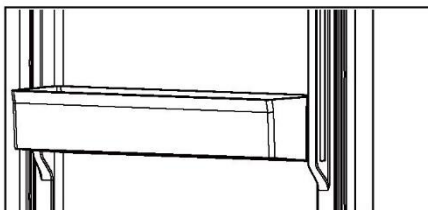
### **i** Aviso

Certifique-se de que todas as extremidades de uma prateleira estão niveladas.

### **Prateleira da porta removível**

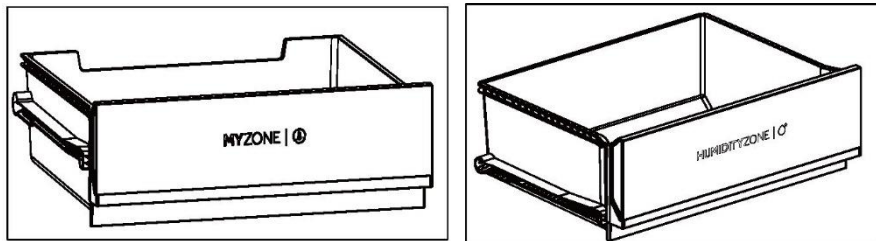
A prateleira da porta pode ser removida para limpeza:

Coloque as mãos de cada lado da prateleira, levante-a para cima (1) e puxe-a para fora (2). Para inserir a prateleira da porta, deve executar os passos acima pela ordem inversa.



## Caixa My Zone

Para usar e configurar o compartimento My Zone, por favor verifique a secção USE (My Zone).



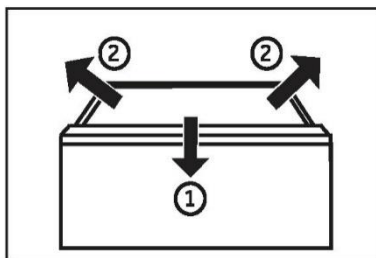
## Caixa Humidity Zone

Neste compartimento, o nível de humidade é controlado automaticamente pelo sistema e é adequado para armazenar frutas, legumes, saladas, etc.

## Gaveta amovível

Para retirar a gaveta do compartimento do frigorífico ou do congelador, puxar ao máximo (1), levantar e retirar (2).

Para inserir a gaveta, os passos acima são executados em ordem inversa.



## Gaveta do congelador

A gaveta do congelador pode ser estendida a direito e completamente. Estão montadas num carril telescópico que desliza facilmente. Para que possa armazenar e remover os alimentos congelados confortavelmente. Graças ao mecanismo de fecho automático da porta, o manuseamento é fácil e consegue poupar energia.



### AVISO!

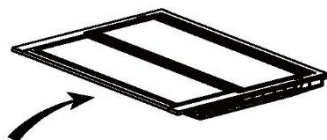
Não sobrecarregue as gavetas: Carga máxima de cada gaveta: 35 kg!

### A Luz

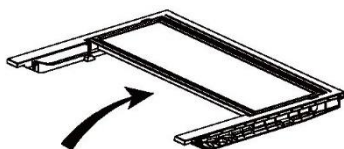
A luz interior LED acende-se quando a porta é aberta. O desempenho das luzes não é afetado por nenhuma das outras definições de aparelhos.

### Prateleiras dobráveis

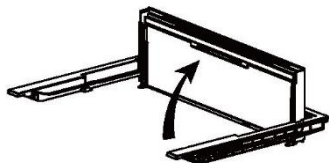
As prateleiras dobráveis permitem ao utilizador colocar garrafas ou itens altos nas prateleiras. As prateleiras podem ser dobradas na parte traseira e o espaço disponível da prateleira inferior será maior. A prateleira pode ser dobrada de acordo com o Passo 1~3. Se quiser retornar ao local original, inverta os seguintes procedimentos.



Passo 1: Empurre a dianteira da prateleira lentamente até ao fim.



Passo 2: Empurre a prateleira para cima lentamente até à sua posição vertical.



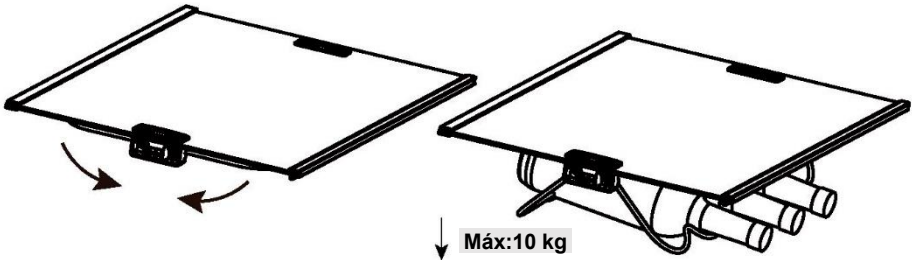
Passo 3: A prateleira fica na vertical. Vai dar mais espaço.

## Suporte para garrafas dobrável

Para utilização normal

1. Puxe para baixo os apoios do suporte para garrafas
2. Encaixe as garrafas dentro do suporte

Quando não estiver a usar, o suporte para garrafas pode ser dobrado para trás para poupar espaço.



PT

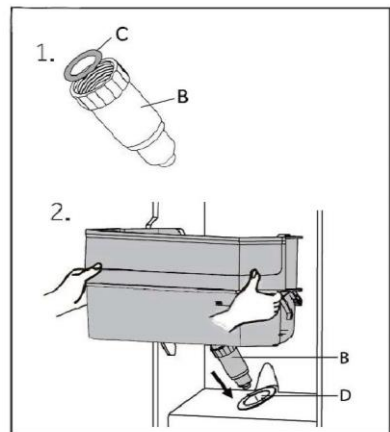
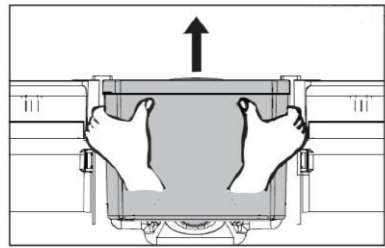
## Depósito de água

### Retirar o depósito de água

O depósito de água pode ser removido e reinstalado para limpeza da mesma forma que as prateleiras da porta.

### Insira o depósito de água

1. Certifique-se de que o bico do dispensador (B) está firmemente enroscado no depósito de água e que o anel branco (C) está em posição.
2. Coloque o depósito de água na posição em que o bico do dispensador (B) se encaixa na abertura da porta (D).



### **i** Aviso

- ▶ Certifique-se de que o ralo está firmemente enroscado no depósito de água e que o anel branco (C) está em posição.
- ▶ Se o depósito de água não estiver devidamente inserido, pode pingar água da ligação.
- ▶ Não use força excessiva quando remover ou instalar o depósito de água, para evitar danificar o depósito.



### AVISO!

Desligue o aparelho da fonte de alimentação antes de limpar.

### Limpeza

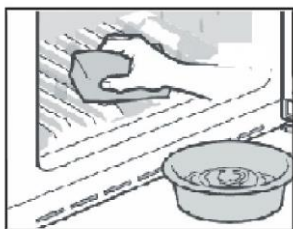
Limpe o aparelho quando apenas tiver armazenado pouca ou nenhuma comida.

O aparelho deve ser limpo a cada quatro semanas para uma boa manutenção e para evitar maus odores de alimentos armazenados.



### AVISO!

- ▶ Não limpe o aparelho com escovas duras, escovas de arame, detergente em pó, gasolina, acetato de amilo, acetona e soluções orgânicas semelhantes, soluções ácidas ou alcalinas. Limpe com detergente especial do frigorífico para evitar danos.
- ▶ Não pulverize ou lave o aparelho durante a limpeza.
- ▶ Não use spray de água ou vapor para limpar o aparelho.
- ▶ Não lave prateleiras de vidro frias com água quente. A mudança súbita de temperatura pode fazer com que o vidro se quebre.
- ▶ Não toque na superfície interna do compartimento do congelador, especialmente com as mãos molhadas, pois as mãos podem congelar na superfície.
- ▶ No caso de aquecimento, verificar a condição das mercadorias congeladas.



- ▶ Mantenha a junta de vedação da porta sempre limpa.
- ▶ Limpe o interior e a caixa do aparelho com uma esponja molhada em água morna e detergente neutro.
- ▶ 1. Esfregue o interior e o exterior do frigorífico, incluindo junta do vedante da porta, prateleira da porta, prateleiras de vidro, caixas e assim por diante, com uma toalha macia ou esponja embebida em água morna (pode adicionar-se detergente neutro).
- ▶ 2. Se houver líquido derramado, remova todas as partes contaminadas, lave-as diretamente com água corrente, seque e coloque novamente no frigorífico.
- ▶ 3. Se houver derramamento de produtos cremosos (como natas, gelado derretido), remova todas as peças contaminadas, coloque-as em água morna a cerca de 40 °C durante algum tempo, passe por água corrente, seque e volte a colocar no frigorífico.
- ▶ 4. Caso alguma peça ou componente pequeno entre no interior do frigorífico (entre as prateleiras ou gavetas), use uma pequena escova macia para a liberar. Se não conseguir alcançar a peça, entre em contato com a assistência da Haier
- ▶ Enxague e seque com um pano macio.



- ▶ Não limpe nenhuma das peças do aparelho numa máquina de lavar loiça.
- ▶ Deixe passar pelo menos 5 minutos antes de voltar a ligar o aparelho pois o arranque frequente pode danificar o compressor.

### Descongelamento

O descongelamento do frigorífico e do congelador é feito automaticamente; sem necessidade de operação manual.

### Substituir as lâmpadas LED



#### **AVISO!**

Não substitua a luz LED sozinho, esta apenas deve ser substituída pelo fabricante ou por um agente de serviço autorizado.

PT

A lâmpada é do tipo LED com um baixo consumo de energia e longa vida útil. Se houver alguma anomalia, entre em contacto com a assistência ao cliente. Consultar a ASSISTÊNCIA AO CLIENTE.

Parâmetros das lâmpadas:

| Parte                       | Lâmpada LED |
|-----------------------------|-------------|
| Tensão em V                 | 12V         |
| Potência máx. em W          | 1.5W        |
| Especif. LED                | Branco-2835 |
| Classe de eficiência de LED | G           |
| Temp. de utilização         | -40~80°C    |

### **Não utilizar durante um período prolongado**

Se o aparelho não for utilizado durante um período de tempo prolongado e caso não tenha utilizado a função Holiday para o frigorífico:

Retire os alimentos.

Desligue o cabo de alimentação.

Limpe o aparelho conforme descrito acima.

Mantenha as portas abertas para evitar a criação de maus odores no interior.



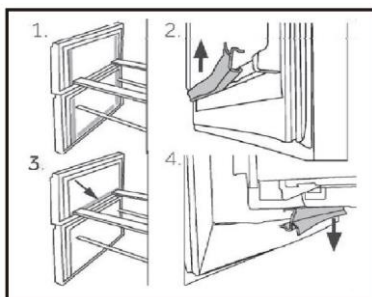
#### **Aviso**

Desligue o aparelho apenas se estritamente necessário.

### Juntas de porta auxiliares amovíveis

Existem seis juntas de porta auxiliares nas gavetas superiores e inferiores do congelador.

1. Localize as cinco juntas de porta indicadas nas gavetas superiores e inferiores do congelador.
  2. Certifique-se de que as partes dobradas das juntas ficam voltadas para dentro ao prender.
  3. Localize a junta inferior da gaveta superior conforme indicado.
  4. Certifique-se de que a parte dobrada desta junta aponta para baixo ao prender.
- Pode obter essas juntas, bem como as juntas rotativas da porta/gaveta através do serviço de atendimento ao cliente (ver cartão de garantia).



### Mover o aparelho

1. Remova todos os alimentos e desligue o aparelho.
2. Fixe as prateleiras e outras peças móveis no frigorífico e no congelador com fita adesiva.
3. Não incline o frigorífico mais de 45° para evitar danificar o sistema de refrigeração.

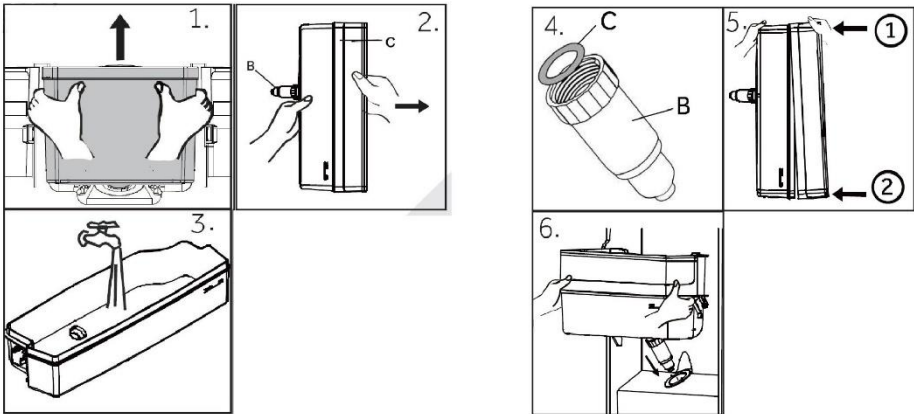


### AVISO!

- ▶ Não levante o aparelho pelas suas pegas.
- ▶ Nunca coloque o aparelho na horizontal no chão.

### Limpeza do depósito de água

1. Retire o depósito de água do aparelho.
2. Remova a tampa (C) e desenrosque suavemente o bico do dispensador (B).
3. Limpe o depósito de água e o bico do dispensador com água quente corrente e detergente líquido de lavagem de louça. Certifique-se de que todo sabão é enxaguado
4. Monte o bico do dispensador (B) e tenha cuidado para que fique firmemente enroscado no depósito de água e que o anel branco (C) esteja em posição.
5. Pressione a tampa para encaixar de lado do depósito de água e depois o outro lado, verifique se o depósito de água e a tampa estão completamente montados.
6. Substitua o depósito dentro do aparelho. Certifique-se de que o bico do dispensador está corretamente inserido no orifício da porta.



### Aviso

- ▶ Se o depósito de água não estiver devidamente inserido, pode pingar água da ligação.
- ▶ Não use força excessiva quando remover ou instalar o depósito de água, para evitar danificar o depósito.

Muitos problemas que ocorrem podem ser resolvidos por si mesmo sem experiência específica. Em caso de problema, por favor verifique todas as possibilidades apresentadas e siga as instruções abaixo antes de contactar um serviço pós-venda. Consultar a ASSISTÊNCIA AO CLIENTE.



### AVISO!

- ▶ Antes da manutenção, desative o aparelho e desligue a ficha da tomada.
- ▶ Os equipamentos elétricos devem ser reparados apenas por eletricistas qualificados, uma vez que reparações inadequadas podem causar danos consequenciais consideráveis.
- ▶ Se o cabo de alimentação estiver danificado, este apenas pode ser substituído pelo fabricante, pelo agente de serviço ou por pessoas igualmente qualificadas de forma a evitar o perigo.

### Tabela de resolução de problemas

| Problema                                                                                | Causa possível                                                                    | Possível solução                                                                                                                                               |
|-----------------------------------------------------------------------------------------|-----------------------------------------------------------------------------------|----------------------------------------------------------------------------------------------------------------------------------------------------------------|
| O compressor não funciona.                                                              | A ficha de alimentação não está ligada na tomada de alimentação.                  | Conecte a ficha principal.                                                                                                                                     |
|                                                                                         | O aparelho está no ciclo de descongelação.                                        | Isto é normal para um descongelamento automático.                                                                                                              |
| O aparelho funciona frequentemente ou funciona por um período de tempo demasiado longo. | A temperatura interior ou exterior é muito alta.                                  | Neste caso, é normal que o aparelho funcione mais tempo.                                                                                                       |
|                                                                                         | O aparelho foi desligado da alimentação por um período de tempo.                  | Normalmente, demora 8 a 12 horas até o aparelho arrefecer completamente.                                                                                       |
|                                                                                         | Uma porta/gaveta do aparelho não está bem fechada.                                | Feche a porta/gaveta e certifique-se de que o aparelho está colocado num piso plano e de que não existe qualquer alimento ou recipiente a obstruir a porta.    |
|                                                                                         | A porta/gaveta foi aberta com muita frequência ou durante muito tempo.            | Não abra a porta/gaveta com muita frequência.                                                                                                                  |
|                                                                                         | A temperatura regulada para o congelador é muito baixa.                           | Regule uma temperatura mais elevada até obter uma temperatura satisfatória do frigorífico. Demora 24 horas até a temperatura do frigorífico se tornar estável. |
|                                                                                         | A junta de vedação da porta/gaveta está suja, gasta, fissurada ou não é adequada. | Limpe a junta da porta/gaveta ou peça à assistência ao cliente que a substitua.                                                                                |
|                                                                                         | A circulação de ar necessária não é garantida.                                    | Assegure uma ventilação adequada.                                                                                                                              |

| Problema                                                                                     | Causa possível                                                             | Possível solução                                                                                   |
|----------------------------------------------------------------------------------------------|----------------------------------------------------------------------------|----------------------------------------------------------------------------------------------------|
| O interior do frigorífico está sujo e/ou com cheiro.                                         | O interior do frigorífico precisa de ser limpo.                            | Limpe o interior do frigorífico.                                                                   |
|                                                                                              | Alimentos com forte odor estão armazenados no frigorífico.                 | Embrulhe os alimentos completamente.                                                               |
| Não está frio o suficiente dentro do aparelho.                                               | A temperatura definida é demasiado alta.                                   | Volte a regular a temperatura                                                                      |
|                                                                                              | Alimentos muito quentes foram armazenados.                                 | Arrefeça sempre os alimentos antes de os guardar.                                                  |
|                                                                                              | Foram armazenados demasiados alimentos de uma vez.                         | Guarde sempre pequenas quantidades de alimentos.                                                   |
|                                                                                              | Os alimentos estão demasiado próximos uns dos outros.                      | Deixe um intervalo entre os vários alimentos permitindo o fluxo de ar.                             |
|                                                                                              | Uma porta/gaveta do aparelho não está bem fechada.                         | Feche a porta/gaveta.                                                                              |
|                                                                                              | A porta/gaveta foi aberta com muita frequência ou durante muito tempo.     | Não abra a porta/gaveta com muita frequência.                                                      |
| Está demasiado frio no interior do aparelho.                                                 | A temperatura é demasiado baixa.                                           | Repore a temperatura.                                                                              |
|                                                                                              | A função Super Freeze está ativada ou está a funcionar há demasiado tempo. | Desligue a função Super Freeze.                                                                    |
| Formação de humidade no interior do compartimento do frigorífico.                            | O clima é demasiado quente e demasiado húmido.                             | Aumente a temperatura.                                                                             |
|                                                                                              | Uma porta/gaveta do aparelho não está bem fechada.                         | Feche a porta/gaveta.                                                                              |
|                                                                                              | A porta/gaveta foi aberta com muita frequência ou durante muito tempo.     | Não abra a porta/gaveta com muita frequência.                                                      |
|                                                                                              | Recipientes para alimentos ou líquidos foram deixados abertos.             | Deixe os alimentos quentes arrefecerem até à temperatura ambiente e cubra os alimentos e líquidos. |
| A humidade acumula-se nos frigoríficos fora da superfície ou entre as portas/porta e gaveta. | O clima é demasiado quente e demasiado húmido.                             | Isso é normal num clima húmido e mudará quando a humidade diminuir.                                |
|                                                                                              | A porta/gaveta não está totalmente fechada.                                | Certifique-se de que a porta/gaveta está bem fechada.                                              |

| Problema                                                           | Causa possível                                                                    | Possível solução                                                                                                   |
|--------------------------------------------------------------------|-----------------------------------------------------------------------------------|--------------------------------------------------------------------------------------------------------------------|
| Gelo forte e geada no compartimento do congelador.                 | Os alimentos não foram devidamente embalados.                                     | Embale sempre bem os alimentos.                                                                                    |
|                                                                    | Uma porta/gaveta do aparelho não está bem fechada.                                | Feche a porta/gaveta.                                                                                              |
|                                                                    | A porta/gaveta foi aberta com muita frequência ou durante muito tempo.            | Não abra a porta/gaveta com muita frequência.                                                                      |
|                                                                    | A junta de vedação da porta/gaveta está suja, gasta, fissurada ou não é adequada. | Limpe a junta de vedação da porta/gaveta ou substitua por novas.                                                   |
|                                                                    | Algo no interior está a impedir que a porta/gaveta feche corretamente.            | Reposicione as prateleiras, prateleiras das portas ou recipientes internos para permitir que a porta/gaveta feche. |
| O aparelho faz ruídos fora do normal.                              | O aparelho não está colocado sobre um piso nivelado.                              | Ajuste os pés para nivelar o aparelho.                                                                             |
|                                                                    | O aparelho toca em algum objeto em seu redor.                                     | Remova objetos em redor do aparelho.                                                                               |
| Deve ouvir-se um som leve semelhante ao de água a correr.          | Isto é normal.                                                                    | /                                                                                                                  |
| Irá ouvir um sinal sonoro de alarme.                               | A porta do frigorífico está aberta.                                               | Feche a porta ou silencie o alarme manualmente.                                                                    |
| Irá ouvir um som abafado.                                          | O sistema anti condensação está a funcionar.                                      | Isto impede a condensação e é normal.                                                                              |
| O sistema de iluminação interior ou de arrefecimento não funciona. | A ficha de alimentação não está ligada na tomada de alimentação                   | Conecte a ficha principal.                                                                                         |
|                                                                    | A fonte de alimentação não está intacta.                                          | Verifique a alimentação elétrica da divisão. Ligue para a companhia de eletricidade local!                         |
|                                                                    | A lâmpada LED está avariada.                                                      | Por favor, ligue para a assistência para substituir a lâmpada.                                                     |
| Os lados do armário e a tira da porta ficam quentes.               | Isto é normal.                                                                    | /                                                                                                                  |
| Não está a sair água do bico dispensador de água                   | O trinco não está desativado.                                                     | Para desativar o trinco                                                                                            |

## Falha de energia

- ▶ Em caso de falha de energia, os alimentos permanecem arrefecidos de forma segura durante cerca de 13 horas. Siga estas dicas durante uma falha de energia prolongada, especialmente no verão.
- ▶ Abra a porta/gaveta o mínimo de vezes possível.
- ▶ Não coloque mais alimentos no aparelho durante uma falha de energia.
- ▶ Se for dada uma notificação prévia de interrupção da energia e a duração da interrupção for superior a 13 horas, faça alguns cubos de gelo e coloque-os num recipiente na prateleira superior do compartimento do frigorífico.
- ▶ É necessária uma inspeção dos alimentos imediatamente após a interrupção.
- ▶ Como a temperatura no frigorífico irá subir durante uma interrupção da energia ou outra falha, o período de armazenamento e a qualidade dos alimentos serão reduzidos. Qualquer alimento que descongele deve ser consumido, cozido e novamente congelado (se for caso disso) imediatamente, a fim de evitar riscos para a saúde.

PT



### Aviso

#### Função de memória durante a falha de energia

Depois de restabelecida a energia elétrica, o aparelho continua com as definições feitas antes da falha de energia.

Para contactar a assistência técnica, consulte o nosso website:  
<https://corporate.haier-europe.com/en/>

Na seção "website", escolha a marca do seu produto e o seu país. Será redirecionado para o website específico onde pode encontrar o número de telefone e outras formas de contactar a assistência técnica.

## Desembalar



### AVISO!

- ▶ O aparelho é pesado. Deve ser manuseado sempre por, pelo menos, duas pessoas.
- ▶ Mantenha todos os materiais de embalagem fora do alcance das crianças e elimine-os de forma ecológica.
- ▶ Retire o aparelho da embalagem.
- ▶ Remova todos os materiais de embalagem.

## Condições ambientais

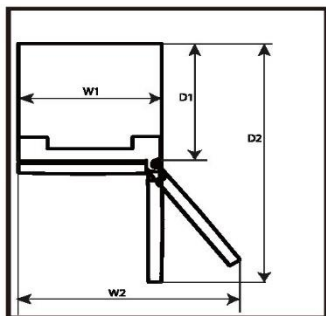
A temperatura ambiente deve estar sempre entre 10 °C e 43 °C, uma vez que pode influenciar a temperatura no interior do aparelho e o seu consumo de energia. Não instale o aparelho perto de outros aparelhos emissores de calor (fornos, frigoríficos) sem isolamento.

## Reversibilidade da porta

Antes de o aparelho estar instalado permanentemente, verifique a posição correta da dobradiça da porta. Se necessário, ver secção a REVERSIBILIDADE DA PORTA

## Requisitos de espaço

Espaço necessário quando a porta é aberta:

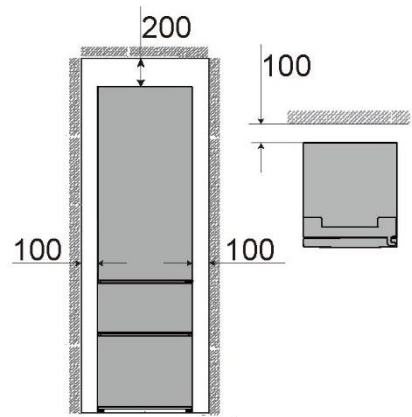


| Largura do aparelho em mm |     | Profundidade do aparelho em mm |      |
|---------------------------|-----|--------------------------------|------|
| W1                        | W2  | D1                             | D2   |
| 595                       | 918 | 600                            | 1220 |



## Ventilação transversal

Para obter uma ventilação suficiente do aparelho por motivos de segurança, deve observar-se a informação das secções de ventilação transversal necessárias.



## Reversibilidade da Porta

Antes de ligar o aparelho à fonte de alimentação, deve verificar se a rotação da porta deve ser mudada da direita (como fornecida) para a esquerda, se tal for exigido pelo local de instalação e pela usabilidade.



### AVISO!

- ▶ O aparelho é pesado. Precisa de duas pessoas para reverter o sentido de abertura da porta.
- ▶ Antes de qualquer operação, desligue primeiro o aparelho da rede elétrica
- ▶ Não incline o aparelho mais de 45 ° para evitar danos ao sistema de arrefecimento.

## Passos de montagem

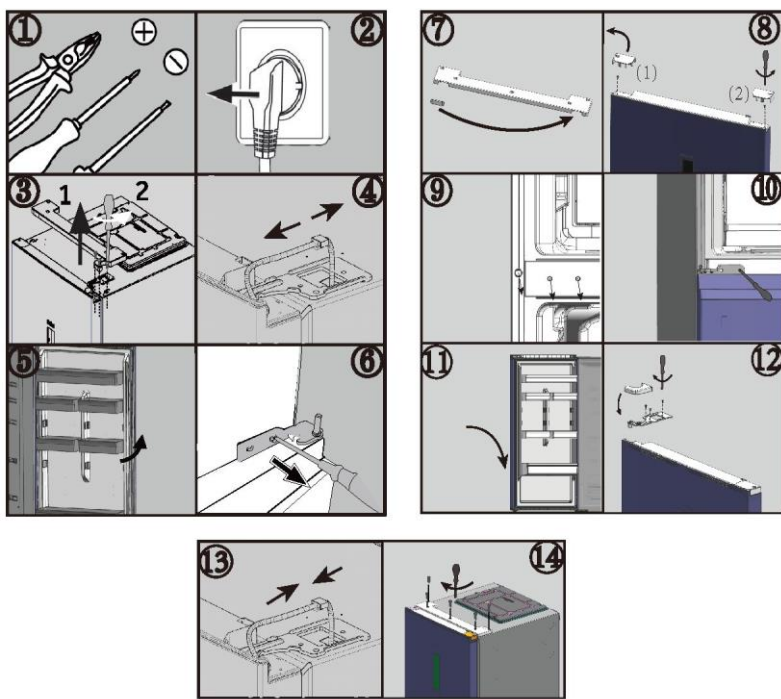
1. Arranje a ferramenta necessária.
2. Desligue o aparelho.
3. Remova a tampa da dobradiça superior (1) e desenrosque a dobradiça superior (três parafusos) no lado direito (2).
4. Desligue o cabo de conexão
5. Levante a porta do frigorífico cuidadosamente da dobradiça inferior para a soltar.
6. Remova a dobradiça inferior da porta superior
7. Retire a pequena tampa do painel frontal do lado esquerdo para o lado direito.
8. Vire a porta de cabeça para baixo e desaperte a tampa (1). Retire a nova tampa (2) do saco necessário e aparafuse-a no lado oposto.
9. Altere as posições das buchas de espaçamento e o parafuso no lado.
10. Aparafuse a dobradiça inferior no lado esquerdo do aparelho.
11. Levante cuidadosamente a porta superior na dobradiça inferior. E certifique-se de que o pivô encaixa no cilindro da dobradiça da porta inferior.

12. Tire a nova dobradiça superior e a tampa da dobradiça do saco de acessórios. Coloque o cabo de conexão através da dobradiça superior e fixe a dobradiça superior com três parafusos no lado esquerdo do aparelho. E coloque a tampa da dobradiça sobre a dobradiça.

13. Conecte o cabo de conexão.

14. Substitua o painel frontal e fixe-o com cinco parafusos.

Após a mudança da porta, verifique se os vedantes da porta estão corretamente colocados na estrutura e todos os parafusos são bem apertados.



### Temperaturas ambiente

Temperado alargado: este aparelho de refrigeração destina-se a ser utilizado a uma temperatura ambiente entre 10 °C e 32 °C

Temperado: este aparelho de refrigeração destina-se a ser utilizado a uma temperatura ambiente entre 16 °C e 32 °C;

Subtropical: este aparelho de refrigeração destina-se a ser utilizado a uma temperatura ambiente entre 16 °C e 38 °C;

Tropical: este aparelho de refrigeração destina-se a ser utilizado a uma temperatura ambiente entre 16 °C e 43 °C.

**Ficha de produto de acordo com o Regulamento UE N.º 2019/2016**

Baseado nos resultados do teste padrão durante 24 horas. O consumo de energia real irá depender da forma como o aparelho é usado e onde está localizado

| Marca                                                                                                      | Haier                  | Haier                  | Haier                  |
|------------------------------------------------------------------------------------------------------------|------------------------|------------------------|------------------------|
| Identificação do modelo                                                                                    | HTW5618DN*             | HTW5620DN*             | HTW5618DW*             |
| Categoria do modelo                                                                                        | Frigorífico-congelador | Frigorífico-congelador | Frigorífico-congelador |
| Classe de eficiência energética                                                                            | D                      | D                      | D                      |
| Consumo anual de energia (kWh/ano)                                                                         | 217                    | 226                    | 216                    |
| Volume do frigorífico (L)                                                                                  | 201                    | 255                    | 198                    |
| Volume de congelação (L)                                                                                   | 125                    | 125                    | 125                    |
| Volume My Zone (L)                                                                                         | 34                     | 34                     | 34                     |
| classificação em estrelas                                                                                  | 4                      | 4                      | 4                      |
| Sistema Frost-free                                                                                         | Sim                    | Sim                    | Sim                    |
| Corte de segurança(h)/Tempo de subida da temperatura(h)                                                    | 13                     | 13                     | 13                     |
| Capacidade de congelação(kg/24h)                                                                           | 10                     | 10                     | 10                     |
| Classe climática<br>Este aparelho destina-se a ser utilizado numa temperatura ambiente entre 10 °C e 43 °C | SN.N.ST.T              | SN.N.ST.T              | SN.N.ST.T              |
| Classe de emissão de ruído e emissões de ruído aéreo (dB(A) re 1 pW)                                       | 35                     | 35                     | 35                     |

## Dados Técnicos

| Marca                                                                                                      | Haier                  | Haier                  |
|------------------------------------------------------------------------------------------------------------|------------------------|------------------------|
| Identificação do modelo                                                                                    | HTW5618CN*             | HTW5620CN*             |
| Categoria do modelo                                                                                        | Frigorífico-congelador | Frigorífico-congelador |
| Classe de eficiência energética                                                                            | C                      | C                      |
| Consumo anual de energia (kWh/ano)                                                                         | 173                    | 181                    |
| Volume do frigorífico (L)                                                                                  | 201                    | 255                    |
| Volume de congelação (L)                                                                                   | 125                    | 125                    |
| Volume My Zone (L)                                                                                         | 34                     | 34                     |
| classificação em estrelas                                                                                  | 4                      | 4                      |
| Sistema Frost-free                                                                                         | Sim                    | Sim                    |
| Corte de segurança(h)/Tempo de subida da temperatura(h)                                                    | 13                     | 13                     |
| Capacidade de congelação(kg/24h)                                                                           | 10                     | 10                     |
| Classe climática<br>Este aparelho destina-se a ser utilizado numa temperatura ambiente entre 10 °C e 43 °C | SN.N.ST.T              | SN.N.ST.T              |
| Classe de emissão de ruído e emissões de ruído aéreo (dB(A) re 1 pW)                                       | 35                     | 35                     |

**Ficha de produto de acordo com o Regulamento UE N.º 2019/2016**

Baseado nos resultados do teste padrão durante 24 horas. O consumo de energia real irá depender da forma como o aparelho é usado e onde está localizado

| Marca                                                                                                      | Haier                  | Haier                  | Haier                  |
|------------------------------------------------------------------------------------------------------------|------------------------|------------------------|------------------------|
| Identificação do modelo                                                                                    | HDPW5618DN*            | HDPW5620DN*            | HDPW5618DW*            |
| Categoria do modelo                                                                                        | Frigorífico-congelador | Frigorífico-congelador | Frigorífico-congelador |
| Classe de eficiência energética                                                                            | D                      | D                      | D                      |
| Consumo anual de energia (kWh/ano)                                                                         | 214                    | 220                    | 214                    |
| Volume do frigorífico (L)                                                                                  | 201                    | 255                    | 198                    |
| Volume de congelação (L)                                                                                   | 117                    | 117                    | 117                    |
| Volume My Zone (L)                                                                                         | 34                     | 34                     | 34                     |
| classificação em estrelas                                                                                  | 4                      | 4                      | 4                      |
| Sistema Frost-free                                                                                         | Sim                    | Sim                    | Sim                    |
| Corte de segurança(h)/Tempo de subida da temperatura(h)                                                    | 13                     | 13                     | 13                     |
| Capacidade de congelação(kg/24h)                                                                           | 10                     | 10                     | 10                     |
| Classe climática<br>Este aparelho destina-se a ser utilizado numa temperatura ambiente entre 10 °C e 43 °C | SN.N.ST.T              | SN.N.ST.T              | SN.N.ST.T              |
| Classe de emissão de ruído e emissões de ruído aéreo (dB(A) re 1 pW)                                       | 35                     | 35                     | 35                     |

## Dados Técnicos

| Marca                                                                                                      | Haier                  | Haier                  | Haier                  |
|------------------------------------------------------------------------------------------------------------|------------------------|------------------------|------------------------|
| Identificação do modelo                                                                                    | HDPW5618CN*            | HDPW5620CN*            | HDPW5620AN*            |
| Categoria do modelo                                                                                        | Frigorífico-congelador | Frigorífico-congelador | Frigorífico-congelador |
| Classe de eficiência energética                                                                            | C                      | C                      | A                      |
| Consumo anual de energia (kWh/ano)                                                                         | 171                    | 176                    | 114                    |
| Volume do frigorífico (L)                                                                                  | 201                    | 255                    | 255                    |
| Volume de congelação (L)                                                                                   | 117                    | 117                    | 120                    |
| Volume My Zone (L)                                                                                         | 34                     | 34                     | 34                     |
| classificação em estrelas                                                                                  | 4                      | 4                      | 4                      |
| Sistema Frost-free                                                                                         | Sim                    | Sim                    | Sim                    |
| Corte de segurança(h)/Tempo de subida da temperatura(h)                                                    | 13                     | 13                     | 16                     |
| Capacidade de congelação(kg/24h)                                                                           | 10                     | 10                     | 10                     |
| Classe climática<br>Este aparelho destina-se a ser utilizado numa temperatura ambiente entre 10 °C e 43 °C | SN.N.ST.T              | SN.N.ST.T              | SN.N.ST.T              |
| Classe de emissão de ruído e emissões de ruído aéreo (dB(A) re 1 pW)                                       | 35                     | 35                     | 35                     |

Dados técnicos adicionais

|                                           |                                      |               |               |               |
|-------------------------------------------|--------------------------------------|---------------|---------------|---------------|
| Identificação do modelo                   | HTW5618D*                            | HTW5620DN*    | HTW5618CN*    | HTW5620CN*    |
| Volume total(L)                           | 360<br>(357 para<br>HTW5618DWMG(UK)) | 414           | 360           | 414           |
| Tensão/<br>Frequência                     | 220-240V/50Hz                        | 220-240V/50Hz | 220-240V/50Hz | 220-240V/50Hz |
| Corrente de<br>entrada (A)                | 1,4A                                 | 1,4A          | 1,4A          | 1,4A          |
| Fusível principal<br>(A)                  | 16A                                  | 16A           | 15A           | 15A           |
| Líquido de<br>refrigeração/<br>quantidade | R600a/53g                            | R600a/53g     | R600a/50g     | R600a/50g     |
| Dimensões<br>(L/D/A em mm)                | 595*667*1850                         | 595*667*2050  | 595*667*1850  | 595*667*2050  |

PT

|                                           |              |              |              |
|-------------------------------------------|--------------|--------------|--------------|
| Identificação do modelo                   | HDPW5618D*   | HDPW5618DW*  | HDPW5620DN*  |
| Volume total(L)                           | 352          | 349          | 406          |
| Tensão/<br>Frequência                     | 220-240/50Hz | 220-240/50Hz | 220-240/50Hz |
| Corrente de<br>entrada (A)                | 1,4A         | 1,4A         | 1,4A         |
| Fusível principal<br>(A)                  | 16A          | 16A          | 16A          |
| Líquido de<br>refrigeração/<br>quantidade | R600a/53g    | R600a/53g    | R600a/53g    |
| Dimensões<br>(L/D/A em mm)                | 595*667*1850 | 595*667*1850 | 595*667*2050 |

|                                        |              |              |              |
|----------------------------------------|--------------|--------------|--------------|
| Identificação do modelo                | HDPW5618CN*  | HDPW5620CN*  | HDPW5620AN*  |
| Volume total(L)                        | 352          | 406          | 409          |
| Tensão/<br>Frequência                  | 220-240/50Hz | 220-240/50Hz | 220-240/50Hz |
| Corrente de entrada (A)                | 1,4A         | 1,4A         | 1,4A         |
| Fusível principal (A)                  | 15A          | 15A          | 15A          |
| Líquido de refrigeração/<br>quantidade | R600a/50g    | R600a/50g    | R600a/50g    |
| Dimensões (L/D/A em mm)                | 595*667*1850 | 595*667*2050 | 595*667*2050 |

### Normas e diretivas

Este produto cumpre os requisitos de todas as diretivas CE aplicáveis com as normas harmonizadas correspondentes, que permitem a marcação CE.



Recomendamos o nosso Serviço de Assistência ao Cliente da Haier e a utilização de peça sobressalentes originais.

Se tiver algum problema com o seu aparelho, consulte primeiro a secção RESOLUÇÃO DE PROBLEMAS.

Se não conseguir encontrar uma solução nesta secção, entre em contacto

- ▶ com o seu revendedor local ou
- ▶ o nosso Serviço de Assistência Europeu (veja números de telefone listados abaixo) ou
- ▶ a área de Serviço e Suporte em [www.haier.com](http://www.haier.com) onde pode ativar a reclamação de serviço
- ▶ e também encontrar FAQs.

Para contactar a nossa Assistência, certifique-se de que tem os seguintes dados disponíveis.

As informações encontram-se na placa de classificação.

Modelo \_\_\_\_\_

N.º de série \_\_\_\_\_

Verifique também o cartão de garantia fornecido com o produto em caso de garantia.

| Centro de Assistência Europeu |                    |                                                                                                                          |
|-------------------------------|--------------------|--------------------------------------------------------------------------------------------------------------------------|
| País*                         | Número de telefone | Custos                                                                                                                   |
| Haier Italy (IT)              | 199 100 912        |                                                                                                                          |
| Haier Spain (ES)              | 902 509 123        |                                                                                                                          |
| Haier Germany (DE)            | 0180 5 39 39 99    | <ul style="list-style-type: none"> <li>• 14 CT/Min telefone fixo</li> <li>• Max 42 Ct/Min móvel</li> </ul>               |
| Haier Austria (AT)            | 0820 001 205       | <ul style="list-style-type: none"> <li>• 14,53 CT/Min telefone fixo</li> <li>• máx. 20 Ct/Min todos os outros</li> </ul> |
| Haier United Kingdom (UK)     | 0333 003 8122      |                                                                                                                          |
| Haier France (FR)             | 0980 406 409       |                                                                                                                          |

\*Para outros países, consulte [www.haier.com](http://www.haier.com)

Haier Europe Trading S.r.l

Branch UK

Westgate House, Westgate, Ealing

London, W5 1YY

\*Duração da garantia do aparelho de refrigeração:

A garantia mínima é: 2 anos para os países da UE, 3 anos para a Turquia, 1 ano para o Reino Unido, 1 ano para a Rússia, 3 anos para a Suécia, 2 anos para a Sérvia, 5 anos para a Noruega, 1 ano para Marrocos, 6 meses para a Argélia, Tunísia nenhuma garantia legal necessária.

\*O período de peças sobressalentes para a reparação do aparelho:

Termostatos, sensores de temperatura, placas de circuitos impressos e fontes de luz estão disponíveis durante um período mínimo de sete anos após a colocação da última unidade do modelo no mercado.

Puxadores da porta, dobradiças da porta, bandejas e cestos durante um período mínimo de sete anos e juntas da porta durante um período mínimo de 10 anos, depois de colocada a última unidade do modelo no mercado.

\*Para mais informações sobre o produto, consulte <https://eprel.ec.europa.eu/> ou digitalize o código QR na etiqueta energética fornecida com o aparelho.



|                                         |     |
|-----------------------------------------|-----|
| Informații de siguranță .....           | 691 |
| Utilizarea prevăzută .....              | 697 |
| Descrierea produsului .....             | 698 |
| Panou de comenzi.....                   | 704 |
| Utilizarea.....                         | 705 |
| Utilizarea Wi-Fi.....                   | 710 |
| Utilizarea.....                         | 711 |
| Sfaturi de economisire a energiei ..... | 714 |
| Echipament .....                        | 715 |
| Îngrijire și curățare .....             | 719 |
| Depanare.....                           | 723 |
| Instalare .....                         | 727 |
| Date tehnice.....                       | 730 |
| Serviciul pentru clienți .....          | 736 |



**Vă mulțumim!**

---

**Vă mulțumim că ați achiziționat un produs Haier.**

Citiți aceste instrucțiuni cu atenție înainte de a utiliza acest aparat. Instrucțiunile conțin informații importante care vă vor ajuta să cunoașteți aparatul și să asigurați instalarea, utilizarea și întreținerea sigure și corespunzătoare.

Păstrați manualul de față la îndemână astfel încât să îl puteți consulta pentru utilizarea sigură și corectă a aparatului.

Dacă vindeți, oferiți sau lăsați aparatul în vechea locuință când vă mutați, asigurați-vă că lăsați și manualul de utilizare, astfel încât noul proprietar să se poată familiariza cu aparatul și cu avertismentele de siguranță, cu ajutorul acestui manual.

RO



## **AVERTISMENT - Informații importante legate de siguranță**



## **OBSERVAȚIE - Informații și sfaturi generale**



## **Informații legate de mediu**

RO



### **Eliminare**

Ajutați la protejarea mediului și sănătății omului. Puneți ambalajul în containerele corespunzătoare în vederea reciclării.

Ajutați la reciclarea deșeurilor de aparate electrice și electronice. Nu aruncați electronicele marcate cu acest simbol în același loc cu deșeurile menajere. Returnați produsul la centrul local de reciclare sau contactați agenția municipală.



## **AVERTIZARE!**

Risc de vătămare sau sufocare!

Agenții de refrigerare și gazele trebuie eliminate profesionist. Asigurați-vă că tubulatura circuitului de agent frigorific nu este deteriorată înainte de eliminarea corespunzătoare a acesteia. Deconectați aparatul de la rețeaua de curent. Tăiați cablul de alimentare de la rețeaua de curent și eliminați-l. Scoateți tăvile și sertarele, dar și opritorul și garniturile ușii, pentru a preveni închiderea copiilor și a animalelor în aparat.

## Înainte de pornirea aparatului pentru prima dată, citiți următoarele sfaturi legate de siguranță:



### AVERTIZARE!

#### Înainte de prima utilizare

- ▶ Asigurați-vă că nu există deteriorări provocate de transport.
- ▶ Eliminați toate ambalajele și păstrați-le la distanță de copii.
- ▶ Așteptați cel puțin două ore înainte de a instala aparatul pentru a lăsa timp circuitului frigorific să devină perfect eficient.
- ▶ Manevrați întotdeauna dispozitivul cu cel puțin încă două persoane, pentru că este greu.

#### Instalare

- ▶ Aparatul trebuie amplasat într-un loc bine ventilat. Asigurați un spațiu de cel puțin 10 cm deasupra aparatului și în jurul acestuia.
- ▶ Nu amplasați niciodată aparatul într-o zonă cu umezeală sau într-un loc în care acesta poate fi stropit cu apă. Curățați și uscați stropiturile de apă și petele cu o cârpă curată, moale.
- ▶ Nu instalați aparatul în lumina directă a soarelui sau în apropierea surselor de căldură (de ex., cuptoare, radiatoare).
- ▶ Instalați și poziționați dispozitivul într-o zonă potrivită dimensiunilor și destinației sale.
- ▶ Mențineți fantele de aerisire ale aparatului sau pe cele încorporate în structură fără obstrucții.
- ▶ Asigurați-vă că informațiile electrice de pe plăcuța cu date tehnice se potrivesc cu sursa de electricitate. Dacă nu se potrivesc, contactați un electrician.
- ▶ Dispozitivul este operat de o sursă de electricitate de 220-240 V c.a./50 Hz. Fluctuațiile anormale de tensiune pot face dispozitivul să nu pornească sau pot deteriora controlul temperaturii sau compresorul sau pot provoca un zgomot anormal în timpul utilizării. În acest caz, ar trebui să fie montat un regulator automat.
- ▶ Folosiți o priză separată cu împământare pentru alimentarea cu energie electrică, care să fie ușor accesibilă. Aparatul trebuie legat la împământare.
- ▶ Doar pentru Regatul Unit: Cablul de alimentare al dispozitivului este prevăzut cu ștecă cu 3 pini (împământare) care se potrivește cu o priză standard cu 3 găuri (împământată). Nu demontați sau nu tăiați niciodată cel de-al treilea pin (împământarea). După instalarea dispozitivului, ștecărul ar trebui să fie accesibil.
- ▶ Nu utilizați adaptoare cu ștecăre multiple și prelungitoare.
- ▶ Evitați prinderea cablului de alimentare în frigider. Nu călcați pe cablul de alimentare.
- ▶ Nu deteriorați circuitul frigorific.
- ▶ Nu amplasați prizele portabile multiple sau alimentările portabile în spatele aparatului.



## AVERTIZARE!

### Utilizarea cotidiană

- ▶ Acest aparat poate fi utilizat de către copiii cu vârste de minim 8 ani și de către persoanele cu abilități fizice, senzoriale sau mintale reduse sau fără experiență sau cunoștințe, cu condiția să fie supravegheate sau instruite corespunzător privind modul de utilizare a acestui aparat în siguranță și să înțeleagă pericolele implicate.
- ▶ Nu lăsați copiii să se joace cu aparatul.
- ▶ Copiii cu vârsta cuprinsă între 3 și 8 ani pot încărca și descărca aparate frigorifice, dar nu li se permite să curețe și să instaleze aparatele frigorifice.
- ▶ Nu lăsați copiii sub 3 ani în apropierea aparatului, cu excepția cazului în care aceștia sunt supravegheați în tot acest timp.
- ▶ Curățarea și întreținerea de către utilizator nu vor fi efectuate de copii fără supraveghere.
- ▶ Aparatul trebuie poziționat astfel încât ștecherul să fie accesibil.
- ▶ În cazul scurgerii gazului de răcire sau a altor gaze inflamabile în vecinătatea aparatului, închideți valva gazului care curge, deschideți ușile și ferestrele și nu deconectați niciun ștecăr al cablului de alimentare al frigiderului sau al oricărui alt aparat.
- ▶ Observați că aparatul este setat să funcționeze într-un interval de mediu specific, între 10 °C și 43 °C. Este posibil ca aparatul să nu funcționeze corect dacă este lăsat pentru o perioadă lungă de timp la o temperatură superioară sau inferioară intervalului indicat.
- ▶ Nu puneți articole instabile (obiecte grele, recipiente umplute cu apă) deasupra frigiderului/congelatorului, pentru a evita vătămarea cauzată de cădere sau de electrocutarea cauzată de contactul cu apa.
- ▶ Nu trageți de rafturile ușii. În caz contrar, ușa poate fi înclinată, raftul pentru sticle poate ieși sau aparatul se poate răsturna.
- ▶ Deschideți și închideți ușa numai cu ajutorul mânerelor. Spațiul liber dintre ușă și dulap este foarte îngust. Nu introduceți mâinile în zonele respective, pentru a evita ciupirea degetelor. Deschideți sau închideți ușile frigiderului/congelatorului numai atunci când nu se află niciun copil în raza de deplasare a ușii.
- ▶ Nu depozitați niciodată în congelator bere la sticlă sau băuturi în sticle sau doze (cu excepția băuturilor cu conținut ridicat de alcool), în special băuturi carbogazoase, deoarece acestea se vor sparge în timpul înghețării.
- ▶ Nu depozitați substanțe explozive, cum ar fi canistrele de aerosoli cu gaz inflamabil în interiorul acestui aparat.



### AVERTIZARE!

- ▶ Nu depozitați medicamente, bacterii sau agenți chimici în dispozitiv. Acest dispozitiv este un aparat electrocasnic. Nu este recomandat pentru depozitarea materialelor care necesită temperaturi stricte.
- ▶ Pentru a evita contaminarea alimentelor, respectați următoarele instrucțiuni:
  - ▶ - Deschiderea ușii pentru perioade lungi de timp poate provoca o creștere semnificativă a temperaturii în compartimentele aparatului.
  - ▶ - Curățați regulat suprafețele care pot intra în contact cu alimente și sisteme de drenaj accesibile.
  - ▶ - Curățați rezervoarele de apă dacă nu au fost utilizate timp de 48 de ore; spălați sistemul de apă conectat la o sursă de alimentare cu apă în cazul în care apa nu a circulat timp de 5 zile.
  - ▶ - Păstrați carnea crudă și peștele în recipiente adecvate în frigider, astfel încât să nu fie în contact cu alte alimente sau să nu picure pe alte alimente.
  - ▶ - Compartimentele de două stele pentru alimente congelate sunt potrivite pentru depozitarea alimentelor congelate, depozitarea sau pregătirea înghețatei și pregătirea cuburilor de gheață.
  - ▶ - Compartimentele de una, două și trei stele nu sunt potrivite pentru înghețarea alimentelor proaspete.
  - ▶ - Dacă aparatul este lăsat gol pentru perioade lungi de timp, opriți, dezghețați, curățați, uscați și lăsați ușa deschisă pentru a preveni apariția mucegaiului în interiorul aparatului.
- ▶ Verificați starea alimentelor în cazul în care a avut loc încălzirea congelatorului.
- ▶ Nu setați o temperatură nenecesar de joasă în compartimentul frigiderului. În cazul setărilor ridicate, pot apărea temperaturi sub punctul de îngheț. Atenție: Sticlele se pot sparge.
- ▶ Nu atingeți produsele înghețate cu mâinile ude (purtați mănuși). În special, nu consumați înghețată pe băț imediat după scoaterea din compartimentul congelatorului. Există riscul de îngheț sau de producere a leziunilor provocate de îngheț. PRIMUL ajutor: puneți imediat sub jet de apă rece. Nu trageți!
- ▶ Nu atingeți suprafața interioară a compartimentului de depozitare al congelatorului atunci când este în funcțiune, în special cu mâinile ude, deoarece mâinile pot îngheța pe suprafață.
- ▶ Deconectați aparatul de la energia electrică în cazul unei pene de curent sau înainte de curățare. Așteptați cel puțin 7 minute înainte de repornirea aparatului, deoarece pornirea frecventă poate deteriora compresorul.
- ▶ Nu utilizați aparate electrice în interiorul compartimentelor de depozitare a alimentelor ale aparatului decât dacă acestea sunt de tipul recomandat de către producător.





## AVERTIZARE!

### Întreținere/curățare

- ▶ Asigurați-vă că supravegheați copiii dacă aceștia se ocupă de curățare și întreținere.
- ▶ Deconectați aparatul de la rețeaua de alimentare înainte de efectuarea întreținerii de rutină. Așteptați cel puțin 5 minute înainte de repornirea aparatului, deoarece pornirea frecventă poate deteriora compresorul.
- ▶ Țineți de ștecăr, nu de cablu, atunci când deconectați aparatul.
- ▶ Nu curățați aparatul cu perii aspre, cu perii de sârmă, cu detergent pulbere, benzină, acetat de amil, acetonă sau soluții organice similare, soluții acide sau alcaline. Curățați cu detergent special pentru frigider/congelator pentru a evita deteriorările. Puteți utiliza apă caldă și soluție de bicarbonat de sodiu – aproximativ o lingură de bicarbonat de sodiu la un litru/vas de un litru de apă. Clătiți temeinic cu apă și uscați. Nu folosiți pulberi de curățare sau alte produse de curățare abrazive. Nu spălați piesele detașabile în mașina de spălat vase.
- ▶ Nu răzuiți gheața cu obiecte ascuțite. Nu folosiți pulverizatoare, dispozitive electrice de încălzire precum radiatoare, uscătoare de păr, aparate de curățat cu abur sau alte surse de căldură, pentru a evita deteriorarea pieselor din plastic.
- ▶ Nu utilizați dispozitive mecanice sau alte mijloace de a accelera procesul de decongelare, în afara celor recomandate de producător.
- ▶ În cazul în care cablul de alimentare este deteriorat, acesta trebuie înlocuit de către producător, agentul său de service sau persoane calificate similare, pentru a evita orice pericol.
- ▶ Nu încercați să reparați, să dezamblați sau să modificați dispozitivul pe cont propriu. În cazul în care este necesară o reparație, contactați serviciul de relații cu clienții.
- ▶ Dacă becurile de iluminare sunt deteriorate, acestea trebuie înlocuite de către producător sau de agentul de service sau de persoane calificate, pentru a evita orice pericol.
- ▶ Eliminați praful din spatele unității cel puțin o dată pe an, pentru a evita riscul de incendiu, dar și consumul mărit de energie.
- ▶ Nu pulverizați și nu spălați aparatul în timpul curățării.
- ▶ Nu folosiți pulverizarea cu apă sau aburi de apă în timpul curățării aparatului.
- ▶ Nu curățați rafturile din sticlă sau ușa de sticlă cu apă fierbinte atunci când acestea sunt reci. Schimbarea bruscă a temperaturii poate provoca spargerea sticlei.
- ▶ Dacă nu veți utiliza aparatul pentru o perioadă îndelungată, lăsați-l deschis pentru a preveni apariția mirosurilor și mirosurilor neplăcute în interior.

### Informații privind gazul refrigerant



#### AVERTIZARE!

Aparatul conține agentul frigorific inflamabil IZOBUTAN (R600a). Asigurați-vă că circuitul frigorific nu este deteriorat în timpul transportării sau instalării. Scurgerile de agent frigorific pot cauza vătămări ale ochilor sau se pot aprinde. Dacă s-a produs o deteriorare a aparatului, țineți la distanță de sursele de flăcări deschise, ventilați bine camera, nu conectați și nu deconectați cablurile de alimentare ale aparatului sau ale oricărui alt aparat. Informați serviciul de asistență pentru clienți.

În cazul în care agentul frigorific intră în contact cu ochii, spălați imediat în jet de apă și contactați imediat un specialist oftalmolog.

Sistemul de refrigerare este sub presiune ridicată. Nu-l manipulați. Deoarece se utilizează agenți frigorifici inflamabili, instalați, manipulați și efectuați operațiuni de service asupra aparatului strict urmând instrucțiunile și să contactați agentul profesional sau serviciul nostru post-vânzare pentru a elimina aparatul.

Pentru frigiderele cu funcție apă-gheață, vă rugăm să acordați atenție următorului avertisment:

- Pentru aparatele care nu sunt destinate să fie conectate la sursa de apă: umpleți numai cu apă portabilă.
  - Pentru aparatele destinate să fie conectate la sursa de apă: conectați numai la alimentarea cu apă potabilă.
  - Dacă doriți să curățați sistemul de apă, consultați manualul de utilizare.
- Dacă aveți întrebări, contactați serviciul post-vânzare.

## Utilizarea prevăzută

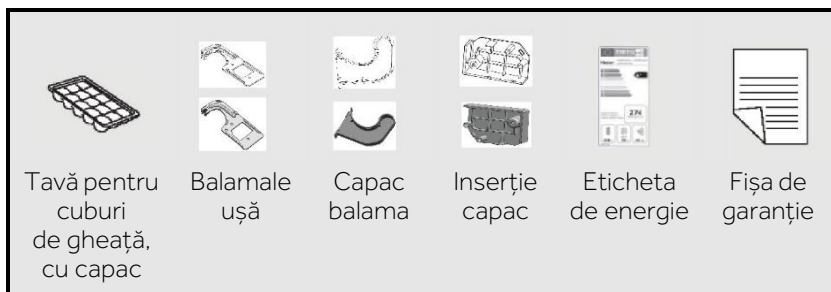
Acest aparat este proiectat pentru răcirea și congelarea alimentelor. Acesta a fost conceput exclusiv pentru utilizarea în aplicații casnice și similare, precum în zona de bucătărie pentru personalul din magazine, în birouri și în alte medii de lucru; ferme și clienți din hoteluri, moteluri și alte tipuri de medii rezidențiale, precum și în pensiunile de tip bed-and-breakfast și catering. Nu este destinat utilizării comerciale sau industriale. Nu este permisă aducerea schimbărilor sau modificărilor dispozitivului. Utilizarea necorespunzătoare poate duce la apariția pericolelor și la pierderea garanției.

## Standarde și directive și

Acest produs îndeplinește cerințele tuturor directivelor CE aplicabile cu standardele armonizate corespunzătoare și standardele din Regatul Unit, prevăzute pentru marcajul CE și UKCA.

## Accesorii

Verificați accesoriile și documentația în conformitate cu această listă:

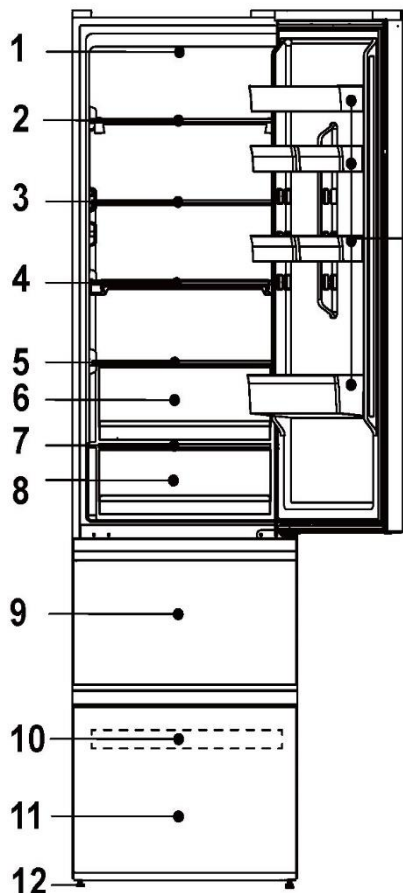


## OBSERVAȚIE

Ca urmare a modificărilor tehnice și a diferitelor modele, unele ilustrații din acest manual pot diferi de modelul dvs.

### **i** OBSERVAȚIE

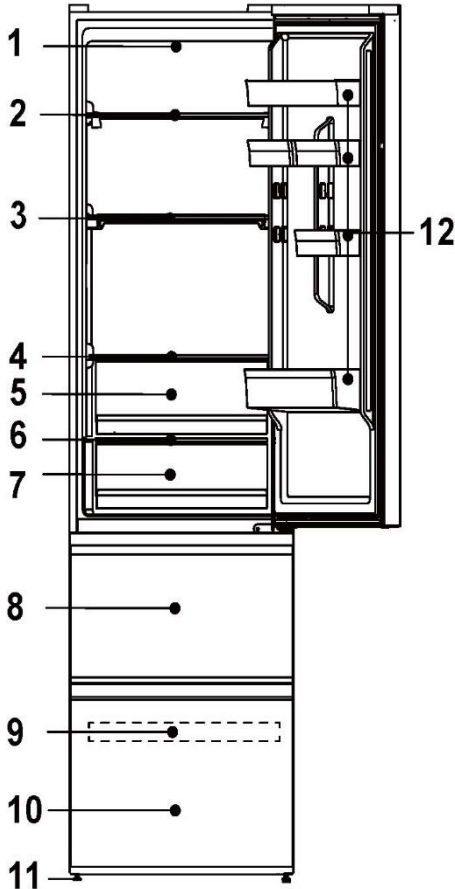
Ca urmare a modificărilor tehnice și a diferitelor modele, unele ilustrații din acest manual pot diferi de modelul dvs. (HTW5620\*N\*)



- 1-Lampă cu LED-uri pentru frigider
- 2-Suport pentru vinuri
- 3-Raft din sticlă
- 4-Raft rabatabil
- 5-Capac cutie Humidity Zone
- 6-Cutie Humidity Zone
- 7-Capac cutie My Zone
- 8-Cutie My Zone
- 9-Sertar de depozitare superior congelator
- 10-Tavă congelator
- 11-Sertar de depozitare inferior congelator
- 12-Picioare ajustabile
- 13-Sertar de depozitare pe ușă

**i** **OBSERVAȚIE**

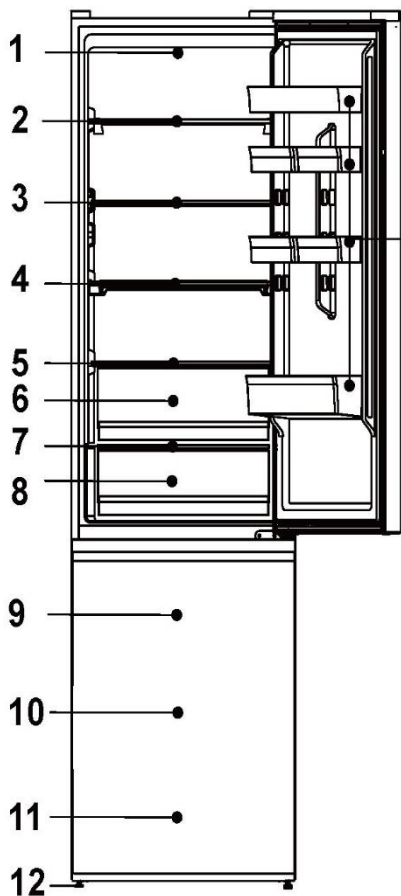
Ca urmare a modificărilor tehnice și a diferitelor modele, unele ilustrații din acest manual pot diferi de modelul dvs.(HTW5618\*N\*)



- 1-Lampă cu LED-uri pentru frigider
- 2-Suport pentru vinuri
- 3-Raft rabatabil
- 4-Capac cutie Humidity Zone
- 5-Cutie Humidity Zone
- 6-Capac cutie My Zone
- 7-Cutie My Zone
- 8-Sertar de depozitare superior congelator
- 9-Tavă congelator
- 10-Sertar de depozitare inferior congelator
- 11-Picioare ajustabile
- 12-Sertar de depozitare pe ușă

## **i** OBSERVAȚIE

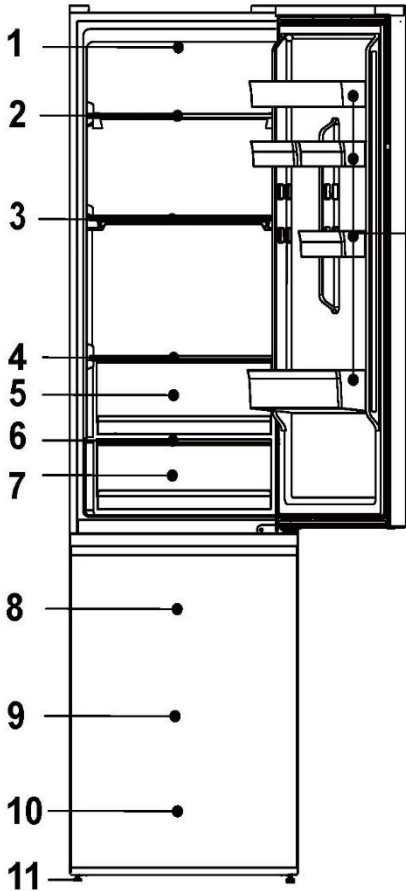
Ca urmare a modificărilor tehnice și a diferitelor modele, unele ilustrații din acest manual pot diferi de modelul dvs. (HDPW5620\*N\*)



- 1-Lampă cu LED-uri pentru frigider
- 2-Suport pentru vinuri
- 3-Raft din sticlă
- 4-Raft rabatabil
- 5-Capac cutie Humidity Zone
- 6-Cutie Humidity Zone
- 7-Capac cutie My Zone
- 8-Cutie My Zone
- 9-Sertar de depozitare superior congelator
- 10-Sertar de depozitare central pentru congelator
- 11-Sertar de depozitare inferior congelator
- 12-Picioare ajustabile
- 13-Sertar de depozitare pe ușă

**i** **OBSERVAȚIE**

Ca urmare a modificărilor tehnice și a diferitelor modele, unele ilustrații din acest manual pot diferi de modelul dvs.(HDPW5618\*N\*)

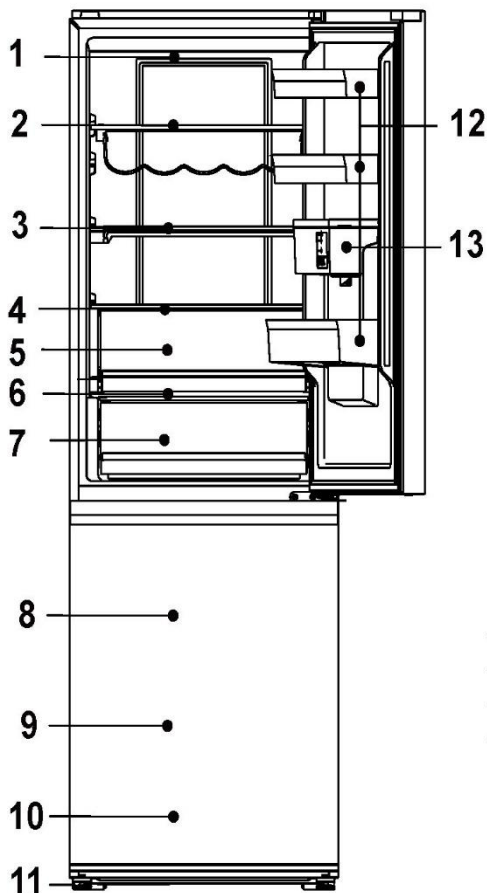


- 1-Lampă cu LED-uri pentru frigider
- 2-Suport pentru vinuri
- 3-Raft rabatabil
- 4-Capac cutie Humidity Zone
- 5-Cutie Humidity Zone
- 6-Capac cutie My Zone
- 7-Cutie My Zone
- 8-Sertar de depozitare superior congelator
- 9-Sertar de depozitare central pentru congelator
- 10-Sertar de depozitare inferior congelator
- 11-Picioare ajustabile
- 12-Sertar de depozitare pe ușă

RO

## **i** OBSERVAȚIE

Ca urmare a modificărilor tehnice și a diferitelor modele, unele ilustrații din acest manual pot diferi de modelul dvs. (HDPW5618DW\*)

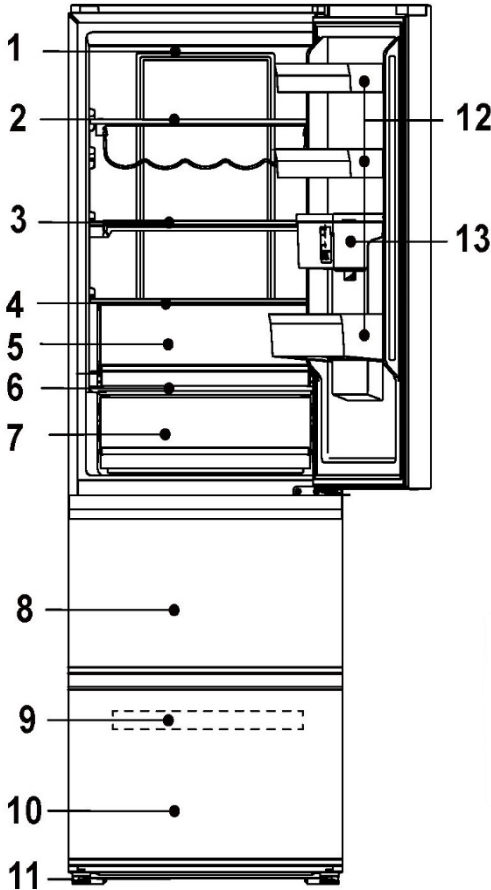


- 1-Lampă cu LED-uri pentru frigider
- 2-Suport pentru vinuri
- 3-Raft rabatabil
- 4-Capac cutie Humidity Zone
- 5-Cutie Humidity Zone
- 6-Capac cutie My Zone
- 7-Cutie My Zone
- 8-Sertar de depozitare superior congelator
- 9-Sertar de depozitare central pentru congelator
- 10-Sertar de depozitare inferior congelator
- 11-Picioare ajustabile
- 12-Sertar de depozitare pe ușă
- 13-Rezervor de apă



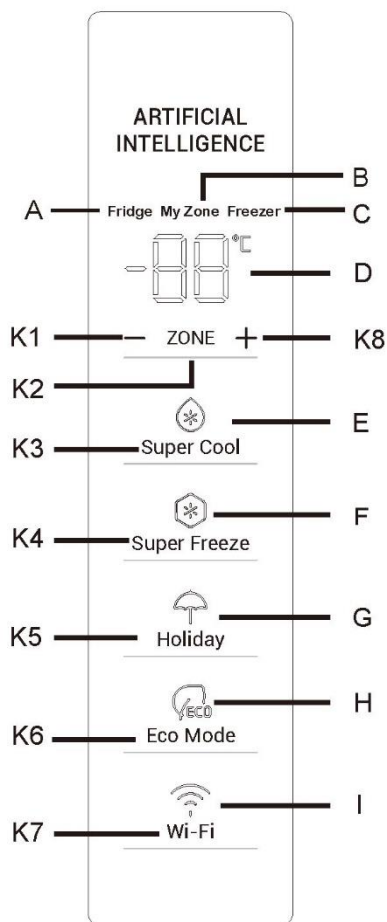
**i** **OBSERVAȚIE**

Ca urmare a modificărilor tehnice și a diferitelor modele, unele ilustrații din acest manual pot diferi de modelul dvs.(HTW5618DW\*)



- 1-Lampă cu LED-uri pentru frigider
- 2-Suport pentru vinuri
- 3-Raft rabatabil
- 4-Capac cutie Humidity Zone
- 5-Cutie Humidity Zone
- 6-Capac cutie My Zone
- 7-Cutie My Zone
- 8-Sertar de depozitare superior congelator
- 9-Tavă congelator
- 10-Sertar de depozitare inferior congelator
- 11-Picioare ajustabile
- 12-Sertar de depozitare pe ușă
- 13-Rezervor de apă

## Panou de comenzi



### Butoane:

- A Compartiment frigider
- B Compartimentul My Zone
- C Compartiment congelator
- D Afișaj temperatură
- E Funcție Super Cool
- F Funcție Super Freeze
- G Funcția Holiday
- H Funcția Mod Eco
- I Funcția Wi-Fi

### Indicatori:

- K1 Scădere temperatură
- K2 Selectare frigider, My Zone și congelator
- K3 Pornire/oprire funcție Super Cool
- K4 Pornire/oprire funcție Super Freeze
- K5 Pornire/oprire funcție Holiday
- K6 Pornire/oprire funcție Mod Eco
- K7 Pornire/oprire funcție Wi-Fi
- K8 Creștere temperatură

## Înainte de prima utilizare

Scoateți toate materialele de ambalare, nu le lăsați la îndemâna copiilor și eliminați-le într-un mod ecologic.

Curățați interiorul și exteriorul aparatului, precum și interiorul și accesoriile cu apă și un detergent moale și uscați-l bine cu o cârpă moale.

După echilibrarea și curățarea aparatului, așteptați cel puțin 2 ore înainte de a-l conecta la rețeaua de alimentare. Consultați secțiunea INSTALARE.

Răciți în prealabil compartimentele cu setări ridicate înainte de ale umple cu alimente. Funcția Super Freeze ajută la răcirea rapidă a compartimentului congelatorului.

## Taste cu senzor

Butoanele de pe panoul de comenzi sunt taste cu senzori, care răspund imediat ce sunt apăstate ușor cu degetul.

## Pornirea/ oprirea aparatului

Aparatul intră în funcțiune imediat ce este conectat la rețeaua de alimentare. Când aparatul este pornit pentru prima dată, indicatorii de temperatură „D” indică valorile presetate (consultați observația de mai jos).

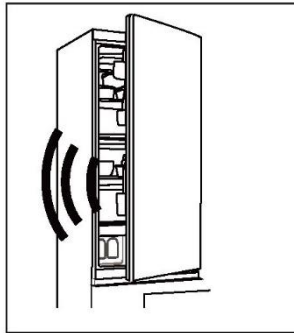
### **i** OBSERVAȚIE

Aparatul este presetat la temperatura recomandată de 5 °C (frigider) și -18 °C (congelator). Temperatura My Zone este presetată la aproximativ 2 °C. Acestea sunt setările recomandate. Dacă doriți, puteți modifica manual aceste temperaturi.

## Alarmă deschidere ușă

Atunci când este deschisă ușa frigiderului timp de peste 3 minute, se va declanșa alarma sonoră pentru deschiderea ușii.

Alarma poate fi oprită prin închiderea ușii. Dacă ușa este deschisă timp de peste 7 minute, lumina din interiorul frigiderului și iluminarea panoului de comenzi se sting automat.



Reglarea temperaturii

Temperaturile din interior sunt influențate de următorii factori:

Temperatura ambientală

Frecvența de deschidere a ușii

Cantitatea de alimente depozitate

Instalarea aparatului

### Ajustarea temperaturii frigiderului

1. Apăsăți tasta „K2” (Selectare Frigider / (My Zone) / Congelator) pentru a selecta compartimentul frigider. Pictograma „A” (compartimentul frigider) și „D” (afișajul temperaturii) se aprind.
2. Apăsăți tasta „K1/K8” pentru a seta temperatura frigiderului.  
Temperatura crește în trepte de 1 °C, de la un minim de 2 °C la maxim de 8 °C.  
Temperatura optimă în congelator este de 5°C. Temperaturile mai scăzute înseamnă consum inutil de energie.
3. După aproximativ 5 secunde, pictograma de temperatură „D” (afișajul temperaturii) va rămâne aprinsă și setarea este confirmată.

### OBSERVAȚIE

Aplicația permite personalizarea temperaturii atât pentru frigider, cât și pentru congelator. Temperatura poate fi setată cu sensibilitate de 1 °C.

### Ajustarea temperaturii congelatorului

1. Apăsăți tasta „K2” (Selectare frigider / (My Zone) / Congelator) pentru a selecta compartimentul de congelare; pictograma „C” (compartiment congelator) și „D” (afișajul temperaturii) se aprind.
2. Apăsăți tasta „K1/K8” pentru a seta temperatura congelatorului.  
Temperatura crește în trepte de 1 °C, de la un minim de -24 °C la maxim de -16 °C.  
Temperatura optimă a congelatorului este de -18. Temperaturile mai scăzute înseamnă un consum inutil de energie.
3. După aproximativ 5 secunde, indicatorul de temperatură „D” (afișajul temperaturii) va rămâne aprins și setarea este confirmată.

### OBSERVAȚIE

După setarea temperaturii, dacă alte taste sunt apăsată în decurs de 5 secunde, setarea curentă a temperaturii va fi confirmată imediat. Dacă nu se efectuează nicio operațiune asupra tastelor în decurs de 5 secunde, temperatura setată curent este afișată până când ecranul se stinge.

## Ajustarea temperaturii My Zone

Compartimentul frigiderului este prevăzut cu o cutie My Zone. În conformitate cu cerințele de depozitare a alimentelor, poate fi selectată temperatura cea mai potrivită pentru a obține valoarea nutritivă optimă a alimentelor.

1. Apăsați tasta „K2” (Selectare frigider / (My Zone) / Congelator) pentru a selecta compartimentul My Zone. Pictograma „B” (compartimentul My Zone) și „D” (Afișajul temperaturii) se aprind. Pot fi selectate și din aplicație.
2. Apăsați tasta care atinge „K1/K8” pentru a seta temperatura My Zone. Temperatura poate fi reglată și în aplicație.

Temperatura crește în trepte de 1 °C, de la un minim de 0 °C la maxim de 5 °C.

3. După aproximativ 5 secunde, pictograma de temperatură „D” (afișajul temperaturii) va rămâne aprinsă și setarea este confirmată.

### OBSERVAȚIE

1. Puteți seta temperatura compartimentului My Zone la nivelul mediu (2 °C), pentru a vă păstra alimentele în mediul optim de depozitare.
2. Ca urmare a conținutului diferit de apă din carne, unele cărnuri cu umezeală mai ridicată vor fi înghețate la temperaturi mai mici de 0 °C. Prin urmare, carnea „proaspăt tăiată” trebuie depozitată în cutia My Zone, la temperatura minimă de 0 °C.
3. Fructele sensibile la temperaturile scăzute, precum ananasul, avocado, bananele, grepfruturile și legumele precum cartofii, vinetele, fasolea, castraveții, dovleceii și roșiile, dar și brânza, nu trebuie depozitate în cutia My Zone.
4. Dacă temperatura frigiderului este mai mică decât temperatura My Zone, este normal ca temperatura My Zone să fie mai mică decât temperatura sa setată.

## Funcția Super-Cool

1. Este recomandat să activați funcția Super Cool dacă trebuie depozitată o cantitate mare de alimente (de exemplu, după cumpărare). Funcția Super Cool accelerează răcirea alimentelor proaspete și protejează alimentele deja depozitate împotriva încălzirii nedorite.
2. Apăsați tasta „K3” sau porniți-o din aplicație, pictograma „E” (funcția Super Cool) se aprinde și funcția este activată.

## OBSERVAȚIE

1. Aparatul iese din „funcția Super Cool” după ce ați accesat „funcția Super Cool” timp de 6 ore sau apăsați tasta „K3” când pictograma „E” (funcția Super Cool) este aprinsă sau dezactivați-o din aplicație.
2. În starea Super Cool, dacă temperatura compartimentului frigider este setată, pictograma „E” (funcția Super Cool) luminează intermitent pentru a indica că această operațiune nu poate fi efectuată.

### Funcția Super-Frz

1. Alimentele proaspete trebuie congelate complet cât mai rapid posibil. Acest lucru poate păstra cele mai bune valori nutriționale, aspectul și gustul. Funcția Super Freeze accelerează congelarea alimentelor proaspete și protejează alimentele deja depozitate împotriva încălzirii nedorite. Dacă trebuie să congelați o cantitate mare de alimente pe loc, este recomandat să activați funcția Super Freeze cu 24 de ore înainte de utilizarea spațiului de congelare.
2. Apăsați tasta „K4” (setarea funcției Super Freeze) sau porniți-o din aplicație; pictograma „F” (funcția Super Freeze) se aprinde și funcția este activată.

## OBSERVAȚIE

1. Aparatul iese din „funcția Super Freeze” după ce a intrat în „funcția Super Freeze” timp de 50 de ore sau după apăsarea butonului „K4”, atunci când pictograma „F” (funcția Super Freeze) este aprinsă sau opriți-o din aplicație.
2. În starea Super Freeze, dacă temperatura compartimentului congelatorului este setată, pictograma „F” (funcția Super Freeze) luminează intermitent pentru a indica faptul că această operațiune nu poate fi efectuată.

### Funcția Holiday

Funcția Holiday poate fi utilizată pentru a reduce consumul de energie al aparatului, atunci când acesta nu este utilizat în mod regulat. Când funcția este activată, frigiderul este oprit, în timp ce congelatorul va continua să funcționeze normal. Această funcție setează temperatura frigiderului permanent la 17 °C.

Acest lucru permite menținerea închisă a ușii frigiderului gol, fără să se formeze mirosuri neplăcute sau mucegai, în timpul unei absențe de durată (de ex. în timpul concediului). Compartimentul congelatorului este liber pentru setarea de către dvs.

1. Apăsați tasta „K5” (Pornire/oprire funcție Holiday) sau selectați funcția din aplicație; pictograma „G” (funcția Holiday) se aprinde și funcția este activată.
2. Funcția poate fi dezactivată apăsând din nou tasta „K5” (Pornire/oprire funcție Holiday), prin setarea temperaturii frigiderului sau prin efectuarea oricărei alte setări ori oprirea acestei funcții din aplicație.

## OBSERVAȚIE

1. Atunci când funcția Holiday este activă, nu trebuie să păstrați alimente în compartimentul frigider. Temperatura de + 17 °C este prea ridicată pentru depozitarea alimentelor.
2. Când funcția Holiday este activată, pictograma My Zone rămâne oprită, iar funcția frigiderului este blocată. Dacă se reglează temperatura compartimentului frigider, pictograma „G” (funcția Holiday) luminează intermitent pentru a indica faptul că această operațiune nu poate fi efectuată.

### Funcția Mod Eco

Modul Mod Eco poate fi activat pentru a optimiza performanța aparatului, în timp ce oferă cel mai bun loc de depozitare a alimentelor. Dacă nu aveți cerințe speciale, vă recomandăm să utilizați funcția Mod Eco.

În acest mod temperatura frigiderului este de 5 °C, temperatura congelatorului este de -18 °C.

1. Apăsați tasta „K6” (Pornire/oprire funcție Mod Eco) sau selectați funcția din aplicație.
2. Pictograma „H” (funcția Mod Eco) este aprinsă și funcția este activată.

Dacă repetați pașii de mai sus, selectați o altă funcție sau o opriți din aplicație, această funcție se va dezactiva. Nivelurile de răcire setate anterior sunt restabilite.

## OBSERVAȚIE

În timpul funcției Mod Eco, dacă temperatura compartimentului frigider/congelator este ajustată, pictograma „H” (funcția Mod Eco) luminează intermitent pentru a indica faptul că această operațiune nu poate fi efectuată.

Pasul 1 Descărcați aplicația hOn din magazinele digitale.

|                                                                                                                                                                              |                                                                                                                                                      |
|------------------------------------------------------------------------------------------------------------------------------------------------------------------------------|------------------------------------------------------------------------------------------------------------------------------------------------------|
|                                                                                             |                                                                                                                                                      |
| <p>Pasul 2 Creați-vă contul în aplicația hOn sau conectați-vă dacă aveți deja un cont.</p>  | <p>Pasul 3 Urmăți instrucțiunile de asociere în aplicația hOn.</p>  |

### Funcția Wi-Fi

1. Urmăți instrucțiunile aplicației pentru a configura Wi-Fi.
2. După configurarea Wi-Fi și stabilirea conexiunii, pictograma Wi-Fi „I” rămâne aprinsă.
3. Dacă Wi-Fi-ul este deja configurat, acesta se va reconecta automat în funcție de informațiile de configurare, dacă se activează conexiunea Wi-Fi.

### **i** OBSERVAȚIE

1. Pentru a opri Wi-Fi, apăsați tasta Wi-Fi „K7”, iar pictograma Wi-Fi „I” se oprește.
2. Pentru a porni Wi-Fi și a începe configurarea, apăsați tasta Wi-Fi „K7”, iar pictograma Wi-Fi „I” începe să lumineze intermitent ușor. Dacă doriți să configurați funcția Wi-Fi, apăsați tasta „K7” timp de 3 secunde; pictograma Wi-Fi se aprinde intermitent rapid și intră în modul de configurare. Dacă doriți să dezactivați funcția Wi-Fi, apăsați tasta „K7” o dată. Repetați pașii de mai sus.
3. Dacă produsul a fost configurat și funcția Wi-Fi a fost dezactivată, frigiderul nu va intra în modul de configurare, odată ce este din nou conectat la curent.

### **i** OBSERVAȚIE

1. Acest produs nu este destinat utilizării comerciale.
2. Puterea maximă de ieșire RF: 2,4 GHz Wi-Fi: 16dBm;
3. Bluetooth LE:5dBm; Bluetooth(BR/EDR):10dBm.
4. Banda de frecvență de funcționare: 2400-2483,5 MHz.



## Depozitarea în compartimentul frigiderului

Mențineți temperatura frigiderului sub 5 °C.

Alimentele fierbinți trebuie răcite la temperatura camerei înainte de a fi depozitate în aparat.

Alimentele depozitate în frigider trebuie spălate și uscate înainte de depozitare.

Alimentele care vor fi depozitate trebuie sigilate corespunzător pentru a evita modificarea mirosului sau a gustului.

Nu depozitați cantități excesive de alimente. Lăsați spații între alimente pentru a permite trecerea fluxului de aer rece în jurul acestora, pentru o răcire mai bună și mai omogenă.

Alimentele consumate zilnic trebuie depozitate în partea din față a raftului.

Lăsați un spațiu între alimente și pereții interior, pentru a permite trecerea aerului.

În orice caz, nu depozitați alimente lipite de peretele din spate: alimentele pot îngheța pe peretele din spate. Evitați contactul direct dintre alimente (în special alimentele uleioase sau acide) și căptușeala interioară, deoarece uleiul/acidul poate eroda căptușeala interioară. Curățați reziduurile de ulei/acid atunci când le depistați.

Alimentele congelate pot fi dezghețate încet în compartimentul frigiderului.

Astfel, economisiți energie.

Procesul de coacere a fructelor și legumelor, cum ar fi dovleceii, pepenii, papaya, bananele, ananasul etc., se poate accelera în frigider. Prin urmare, nu se recomandă depozitarea lor în frigider. Cu toate acestea, coacerea fructelor foarte verzi poate fi favorizată pentru o anumită perioadă. Și ceapa, usturoiul, ghimbirul și alte legume rădăcinoase trebuie depozitate la temperatura camerei.

Mirosurile neplăcute din interiorul frigiderului reprezintă un semn că ceva s-a vărsat și este necesară curățarea. Consultați secțiunea Îngrijire și curățare.

Alimentele diferite trebuie amplasate în zone diferite, în funcție de proprietățile acestora.

## Depozitarea în compartimentul congelatorului

Mențineți temperatura congelatorului la -18 °C.

Cu 24 de ore înainte de congelare, porniți funcția Super-Freeze. Pentru cantități mici de mâncare sunt suficiente 4-6 ore.

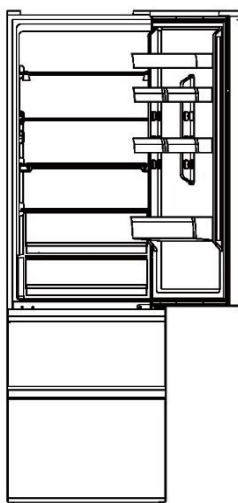
Alimentele fierbinți trebuie răcite la temperatura camerei înainte de a fi depozitate în compartimentul congelatorului.

Alimentele tăiate în bucăți mici vor congela mai repede și vor fi mai ușor de decongelat și gătit. Greutatea recomandată pentru fiecare bucată este de sub 2,5 kg.

Este mai bine să împachetați alimentele înainte de a le pune în congelator.

Partea exterioară a ambalajului trebuie să fie uscată pentru a evita ca pungile să se lipească unele de altele. Materialele folosite pentru ambalare trebuie să nu aibă miros, să fie etanșe, să nu fie otrăvitoare sau toxice.

Pentru a evita expirarea perioadelor de depozitare, notați data congelării, limita în timp și denumirea alimentelor pe ambalaj în funcție de perioadele de depozitare ale diferitelor alimente.



## AVERTIZARE!

- ▶ Produsele acide, alcaline și sarea etc. pot eroda suprafața interioară a congelatorului.
- ▶ Nu puneți alimentele care conțin aceste substanțe (de exemplu, pește marin) direct pe suprafața interioară. Apa sărată din interiorul congelatorului trebuie curățată imediat.
- ▶ Nu depășiți perioada de depozitare a alimentelor recomandate de producători. Scoateți din congelator numai cantitatea necesară de alimente.
- ▶ Consumați rapid alimentele decongelate. Alimentele decongelate nu pot fi recongelate decât dacă sunt gătite, mai întâi. În caz contrar, acestea pot fi mai puțin comestibile.
- ▶ Nu încărcăți cantități excesive de alimente proaspete în compartimentul congelatorului. Consultați capacitatea de congelare a congelatorului - Vedeți DATELE TEHNICE sau datele de pe plăcuța de identificare.
- ▶ Alimentele pot fi depozitate în congelator la o temperatură de cel puțin -18 °C timp de 2-12 luni funcție de proprietăți (de ex., carnea: 3-12 luni, legumele: 6-12 luni)
- ▶ Atunci când congelați alimente proaspete, evitați contactul dintre acestea și alimentele deja congelate. Risc de decongelare!

### **În cazul depozitării alimentelor congelate comercial, urmați următoarele indicații:**

Urmați întotdeauna instrucțiunile producătorilor privind durata de timp în care puteți depozita alimentele. Nu depășiți aceste indicații!

Încercați să păstrați durata de timp dintre cumpărare și depozitare cât mai mică posibil pentru a menține calitatea alimentelor.

Cumpărați alimente congelate care au fost depozitate la o temperatură de -18 °C sau mai joasă.

Evitați să cumpărați alimente care au gheață pe ambalaj - acest lucru indică faptul că produsele pot să fi fost decongelate parțial și recongelate într-un anumit moment; creșterile de temperatură afectează calitatea alimentelor.

## Dozator de apă

Cu ajutorul dozatorului de apă poate fi asigurată apă potabilă rece.

Rezervorul de apă trebuie curățat înainte de prima utilizare (consultați secțiunea ÎNGRIJIRE ȘI CURĂȚARE).

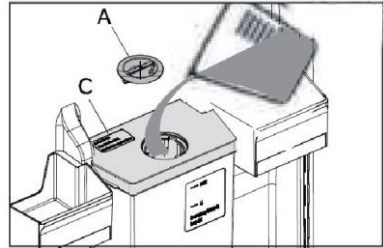
## Umplerea rezervorului de apă



### AVERTIZARE!

► Folosiți doar apă potabilă.

1. Asigurați-vă că rezervorul de apă este introdus corect (consultați secțiunea ECHIPAMENT)
2. Rotiți și ridicați capacul rotund (A) și turnați apă potabilă proaspătă în rezervorul de apă (Fig.5.10.1).
3. Umpleți cu apă numai până la marcaj (2,5 l); în caz contrar, apa se poate revărsa la deschiderea și închiderea ușii.
4. Închideți capacul rotund (A) până când se aude un clic.



RO



### OBSERVAȚIE

1. Aparatul iese din „funcția Super Cool” după ce ați accesat „funcția Super Cool” timp de 6 ore sau apăsați tasta „K3” când pictograma „E” (funcția Super Cool) este aprinsă sau dezactivați-o din aplicație.
2. În starea Super Cool, dacă temperatura compartimentului frigider este setată, pictograma „E” (funcția Super Cool) luminează intermitent pentru a indica că această operațiune nu poate fi efectuată.



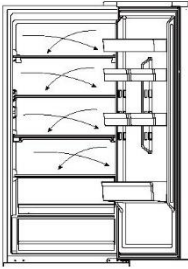
### Sfaturi de economisire a energiei

- ▶ Asigurați-vă că aparatul este ventilat corespunzător (consultați secțiunea INSTALARE).
- ▶ Nu instalați aparatul în lumina directă a razelor soarelui sau în apropierea surselor de căldură (de ex. aragaze, radiatoare).
- ▶ Evitați setarea temperaturilor nenecesare de scăzute în aparat. Consumul de energie crește odată cu scăderea temperaturii setate în aparat.
- ▶ Funcții precum SUPER FREEZE consumă mai multă energie.
- ▶ Lăsați alimentele calde să se răcească înainte de a le amplasa în aparat.
- ▶ Deschideți ușa aparatului cât mai puțin și pentru o perioadă cât mai scurtă posibil.
- ▶ Nu umpleți excesiv aparatul, pentru a evita obstrucționarea fluxului de aer.
- ▶ Evitați prezența aerului în ambalajul alimentelor.
- ▶ Mențineți garniturile ușii curate astfel încât ușa să se închidă corect întotdeauna.
- ▶ Decongelați alimentele congelate în compartimentul de depozitare al frigiderului sau utilizați funcția D-Frost din cutia My Zone.
- ▶ Cea mai economică configurație necesită poziționarea sertarului, cutiei de alimente și a rafturilor în aparat în starea din fabrică, iar alimentele trebuie poziționate astfel încât să nu blocheze evacuarea aerului.



## Observație

Ca urmare a modelelor diferite, produsul dvs. poate să nu aibă toate funcțiile următoare. Vă rugăm să consultați capitolul Descrierea produsului.



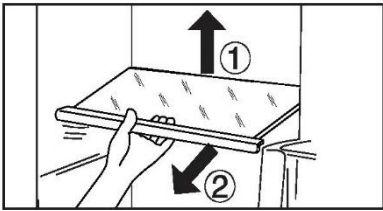
### Flux de aer multiplu

Frigiderul este prevăzut cu un sistem cu flux de aer multiplu, prin care fluxurile de aer rece sunt asigurate la nivelul fiecărui raft.

Acest lucru ajută la păstrarea unei temperaturi uniforme pentru a asigura faptul că alimentele dvs. sunt menținute proaspete pentru mai mult timp.

### Rafturi ajustabile

1. Înălțimea rafturilor poate fi ajustată pentru a se potrivi nevoilor dvs. de depozitare.
2. Pentru re poziționarea unui raft, scoateți-l mai întâi prin ridicarea marginii din spate ① și tragerea sa în afară ②.
3. Pentru montarea la loc, așezați-l pe canalele de pe ambele părți și împingeți-l în cea mai din spate poziție, până când partea din spate a raftului este fixată în interiorul fantelor laterale.



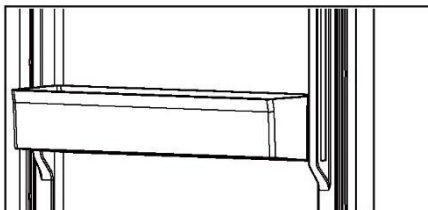
## Observație

Asigurați-vă că toate capetele unui raft sunt drepte.

### Sertar detașabil de depozitare pe ușă

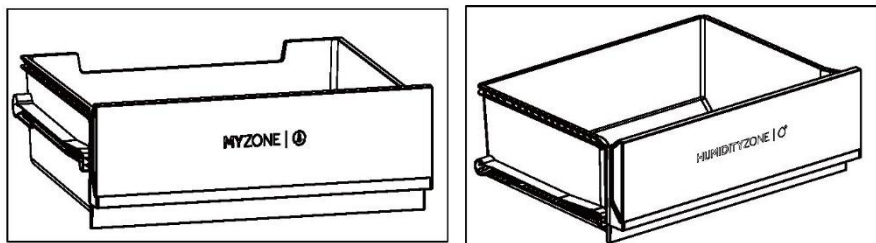
Sertarul de depozitare pe ușă poate fi îndepărtat pentru a fi curățat:

Puneți mâinile pe fiecare parte a sertarului de depozitare pe ușă, ridicați-l (1) și trageți-l în afară (2). Pentru introducerea sertarului de depozitare pe ușă, urmați pașii de mai sus în ordine inversă.



### Cutie My Zone

Pentru utilizarea și setarea compartimentului My Zone, consultați secțiunea UTILIZARE (My Zone).



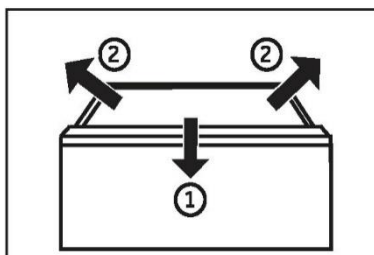
### Cutie Humidity Zone

În acest compartiment nivelul de umiditate este controlat automat de sistem și este potrivit pentru depozitarea fructelor, legumelor, salatelor etc.

#### Sertar demontabil

Pentru a scoate sertarul din compartimentul frigider sau congelator, trageți sertarul maxim în afară (1), ridicați-l și scoateți-l (2).

Pentru introducerea sertarului, urmați pașii de mai sus în ordine inversă.



#### Sertar congelator

Sertarele congelatorului pot fi extinse drept și complet. Ele sunt montate pe o șină telescopică care se derulează ușor. Acestea vă permit să depozitați și să îndepărtați cu ușurință sertarul congelatorului. Datorită mecanismului de închidere automată a ușii, manipularea este ușoară și economisiți energie.

**AVERTIZARE!**

Nu încărcăți excesiv sertarele: Sarcina maximă a fiecărui sertar: 35 kg!

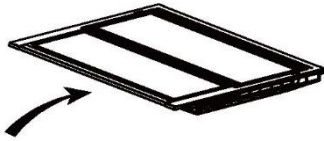
**Becul**

Becul interior cu LED se aprinde la deschiderea ușii. Performanța luminilor nu este afectată de nicio altă setare a aparatului.

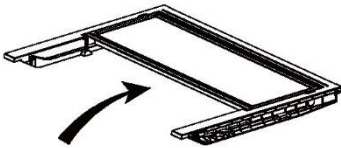
**Rafturi pliabile**

Rafturile pliabile vor permite utilizatorului să depoziteze sticle sau articole înalte pe rafturi. Rafturile pot fi pliate în spate, iar spațiul disponibil pentru raftul inferior va fi mai mare. Raftul poate fi pliat urmând indicațiile din Pașii 1~3. Dacă doriți ca el să revină la poziția inițială, efectuați următoarele proceduri în ordine inversă.

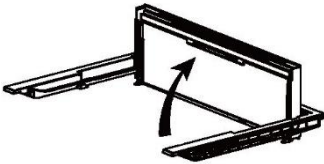
RO



Pasul 1: Împingeți încet partea din față a raftului până la capăt.



Pasul 2: Împingeți încet raftul în sus până la poziția sa verticală.



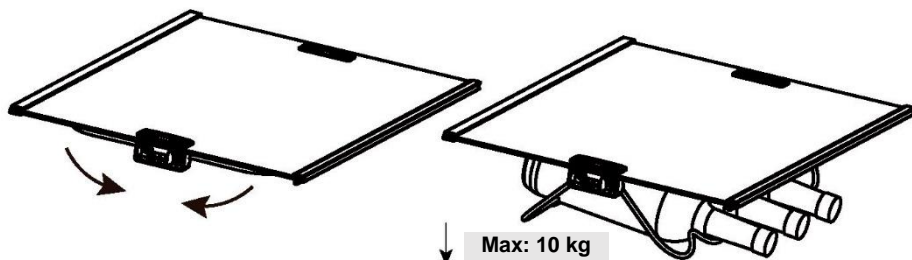
Pasul 3: Raftul este vertical.  
Va economisi spațiu.

## Raft pentru sticle, pliabil

Pentru utilizare obișnuită

1. Trageți în jos suporturile raftului pentru sticle
2. Puneți sticlele pe raft

Atunci când nu este utilizat raftul pentru sticle poate fi pliat la loc pentru a economisi spațiu.



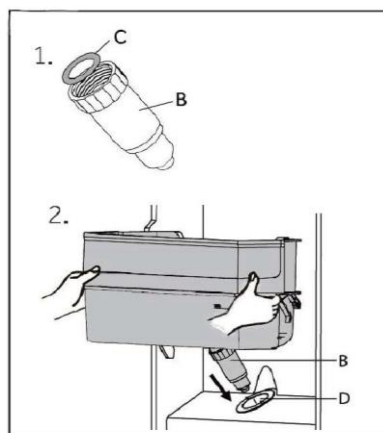
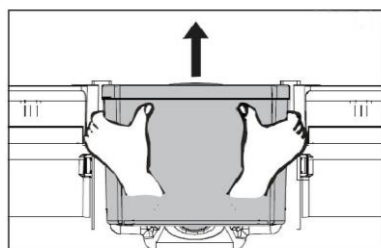
## Rezervor de apă

### Demontarea rezervorului de apă

Rezervorul de apă poate fi demontat pentru curățare și montat la loc în același mod ca rafturile de ușă.

### Introducerea rezervorului de apă

1. Asigurați-vă că dozatorul (B) este bine înșurubat pe rezervorul de apă și că garnitura inelară albă (C) este în poziția sa.
2. Amplasați rezervorul de apă în poziția în care dozatorul (B) se potrivește în deschiderea ușii (D).



### **i** Observație

- ▶ Asigurați-vă că duza este bine înșurubată pe rezervorul de apă și că garnitura inelară albă (C) este la locul său.
- ▶ Dacă rezervorul de apă nu este introdus corespunzător, apa poate curge pe la racord.
- ▶ Nu aplicați o forță excesivă atunci când scoateți sau montați la loc rezervorul de apă, pentru a evita deteriorarea acestuia.





## AVERTIZARE!

Deconectați aparatul de la rețeaua de alimentare înainte de curățare.

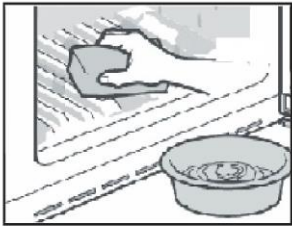
### Curățare

Curățați aparatul atunci când sunt depozitate puține alimente sau când acesta este gol. Aparatul trebuie curățat o dată la patru săptămâni pentru o întreținere corectă și pentru a preveni mirosurile neplăcute cauzate de măncarea depozitată.



## AVERTIZARE!

- ▶ Nu curățați aparatul cu perii aspre, cu perii de sârmă, cu detergent pulbere, benzină, acetat de amil, acetonă sau soluții organice similare, soluții acide sau alcaline. Curățați cu detergent special pentru frigider pentru a evita deteriorările.
- ▶ Nu pulverizați și nu spălați aparatul în timpul curățării.
- ▶ Nu folosiți pulverizarea cu apă sau aburi de apă în timpul curățării aparatului.
- ▶ Nu curățați rafturile reci din sticlă cu apă fierbinte. Schimbarea bruscă de temperatură poate face ca sticla să se spargă.
- ▶ Nu atingeți suprafața interioară a compartimentului de depozitare al congelatorului, în special cu mâinile ude, deoarece mâinile pot îngheța pe suprafață.
- ▶ În cazul încălzirii, verificați starea produselor congelate.



- ▶ Asigurați întotdeauna curățenia garniturii ușii.
- ▶ Curățați interiorul și carcasa aparatului cu un burete înmuiat în apă caldă și detergent neutru.
- ▶ 1. Este indicat să ștergeți interiorul și exteriorul frigiderului, inclusiv garniturile ușilor, raftul de pe ușă, rafturile din sticlă, cutiile și celelalte elemente, cu un prosop moale sau cu un burete înmuiat în apă caldă (puteți adăuga detergent neutru în apa caldă).
- ▶ 2. Dacă se varsă lichid, îndepărtați toate părțile contaminate, clătiți direct cu jet de apă, uscați-le și puneți-le înapoi în frigider.
- ▶ 3. Dacă se varsă alimente cu consistență cremoasă (cum ar fi smântâna, înghețata topită), vă rugăm să îndepărtați toate părțile contaminate, puneți-le în apă caldă la aproximativ 40 °C pentru o perioadă de timp, apoi clătiți-le cu jet de apă, uscați-le și puneți-le înapoi în frigider.
- ▶ 4. În cazul în care o parte mică sau o componentă este blocată în interiorul frigiderului (între rafturi sau sertare), utilizați o perie mică și moale pentru a o elibera. Dacă nu ați putut ajunge la piesa respectivă, contactați serviciul Haier.
- ▶ Clătiți și uscați cu o cârpă moale.
- ▶ Nu curățați nicio parte a aparatului în mașina de spălat vase.
- ▶ Așteptați cel puțin 5 minute înainte de repornirea aparatului, deoarece pornirea frecventă poate deteriora compresorul.

### Decongelarea

Decongelarea compartimentului frigiderului și congelatorului are loc automat, nefiind necesară intervenția manuală.

Înlocuirea becului LED



### AVERTIZARE!

Nu înlocuiți becul LED de unul singur. Acesta trebuie înlocuit de producător sau de un agent de service autorizat

Becul are un LED ca sursă de lumină a acestuia au un consum redus de energie și o durată mare de viață. În cazul în care există anormalități, contactați serviciul pentru clienți. Consultați secțiunea **SERVICIU PENTRU CLIENȚI**.

Parametrii becurilor:

| Piesă                    | Bec cu LED |
|--------------------------|------------|
| Tensiune în V            | 12V        |
| Putere maximă în W       | 1,5 W      |
| Spec. LED                | Alb-2835   |
| Clasa de eficiență LED   | G          |
| Temperatura de utilizare | -40~80 °C  |

### Neutilizare pentru o perioadă lungă de timp

Dacă aparatul nu este utilizat pe o perioadă extinsă de timp și nu veți folosi funcția Holiday pentru frigider:

Scoateți alimentele.

Deconectați cablul de alimentare.

Curățați aparatul conform descrierii de mai sus.

Țineți ușile congelatorului deschise pentru a preveni apariția mirosurilor neplăcute în interior.



### Observație

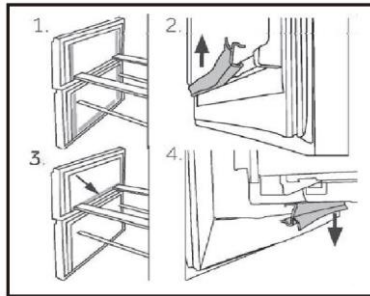
Oprțiți aparatul numai dacă este strict necesar.

## Garnituri auxiliare demontabile ușă

Există șase garnituri auxiliare pentru ușă la sertarele superioare și inferioare ale congelatorului.

1. Localizați cele cinci garnituri de ușă indicate la sertarul superior și cel inferior ale congelatorului.
2. Asigurați-vă că părțile îndoite ale garniturilor sunt îndreptate spre interior în timpul montării lor.
3. Localizați garnitura inferioară a sertarului superior, după cum se indică.
4. Asigurați-vă că partea îndoită a acestei garnituri este îndreptată în jos în timpul montării.

Puteți obține aceste garnituri și garniturile pentru ușa turnantă/sertar prin intermediul serviciului pentru clienți (consultați fișa de garanție).



## Mutarea aparatului

1. Scoateți toate alimentele și deconectați aparatul.
2. Securizați rafturile și restul părților mobile din frigider și congelator cu bandă adezivă.
3. Nu înclinați frigiderul la mai mult de 45°, pentru a evita deteriorarea sistemului frigorific.

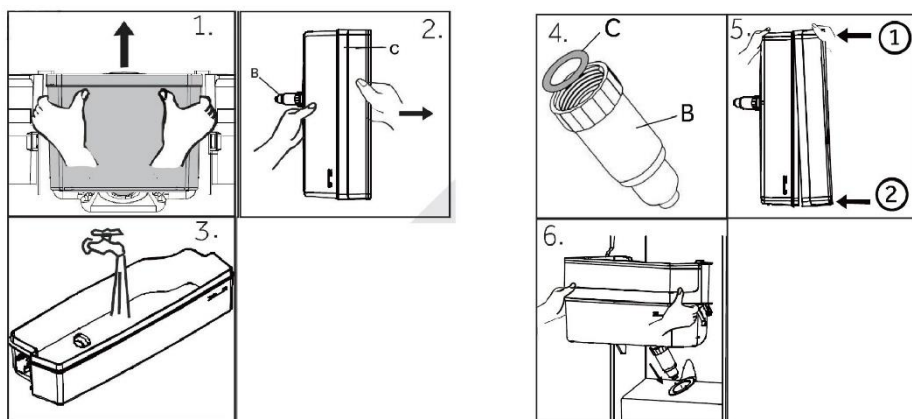


### AVERTIZARE!

- ▶ Nu ridicați aparatul de mânăre.
- ▶ Nu poziționați niciodată aparatul orizontal pe sol.

## Curățarea rezervorului de apă

1. Scoateți rezervorul de apă din aparat.
2. Scoateți capacul (C) și deșurubați ușor gura de scurgere a dozatorului (B).
3. Curățați rezervorul de apă și robinetul de dozare cu apă caldă și detergent lichid pentru vase. Asigurați-vă că săpunul este complet îndepărtat prin clătire.
4. Montați robinetul dozatorului (B) și aveți grijă ca acesta să fie bine înșurubat pe rezervorul de apă și ca garnitura inelară albă (C) să fie în poziția corespunzătoare.
5. Apăsăți capacul pentru a-l fixa pe una dintre părțile rezervorului de apă și apoi pe cealaltă parte, verificați dacă rezervorul de apă și capacul sunt asamblate complet.
6. Înlocuiți rezervorul din interiorul aparatului. Asigurați-vă că robinetul dozatorului este introdus corect în orificiile de pe ușă.



### **i** Observație

- ▶ Dacă rezervorul de apă nu este introdus corespunzător, apa poate curge pe la racord.
- ▶ Nu aplicați o forță excesivă atunci când scoateți sau montați la loc rezervorul de apă, pentru a evita deteriorarea acestuia.

Multe probleme care pot apărea pot fi rezolvate de dvs., fără a fi necesare cunoștințe specifice. În cazul unei probleme verificați toate posibilitățile afișate și urmați instrucțiunile de mai jos înainte de a apela la un serviciu post-vânzare. Consultați secțiunea **SERVICIU PENTRU CLIEŢI**.



## AVERTIZARE!

- ▶ Înainte de întreținere, dezactivați aparatul și deconectați ștecărul de la rețeaua de alimentare.
- ▶ Echipamentele electrice trebuie depanate numai de către specialiști calificați în domeniul electric, deoarece reparațiile necorespunzătoare pot provoca daune indirecte considerabile.
- ▶ Un articol furnizat deteriorat trebuie înlocuit numai de către producător, agentul său de service sau persoane calificate similare, pentru a evita orice pericol.

RO

## Tabel de depanare

| Problemă                                                            | Cauză posibilă                                                                | Soluție posibilă                                                                                                                                                                                  |
|---------------------------------------------------------------------|-------------------------------------------------------------------------------|---------------------------------------------------------------------------------------------------------------------------------------------------------------------------------------------------|
| Compresorul nu funcționează.                                        | Ștecărul de alimentare nu este conectat la priza de alimentare.               | Conectați ștecărul de alimentare.                                                                                                                                                                 |
|                                                                     | Aparatul este în ciclul de decongelare.                                       | Acest lucru este normal în cazul unei decongelări automate.                                                                                                                                       |
| Aparatul pornește frecvent sau pentru o perioadă prea mare de timp. | Temperatura interioară sau exterioară este prea ridicată.                     | În acest caz, este normal ca aparatul să funcționeze mai mult timp.                                                                                                                               |
|                                                                     | Aparatul a fost deconectat de la energia electrică pentru o perioadă de timp. | În mod normal, durează între 8 și 12 ore ca aparatul să se răcească complet.                                                                                                                      |
|                                                                     | O ușă/un sertar al aparatului nu este închis etanș.                           | Închideți ușa/sertarul și asigurați-vă că aparatul este amplasat pe o suprafață dreaptă și că nu există vreun aliment sau recipient care să deranjeze ușa.                                        |
|                                                                     | Ușa/sertarul a fost deschis prea des sau pentru o perioadă prea mare de timp. | Nu deschideți ușa/sertarul prea des.                                                                                                                                                              |
|                                                                     | Setarea temperaturii pentru compartimentul congelatorului este prea joasă.    | Setați temperatura la un valoare mai ridicată până când este obținută o temperatură satisfăcătoare a frigiderului. Este nevoie de 24 de ore pentru ca temperatura frigiderului să se stabilizeze. |
|                                                                     | Garnitura ușii/sertarului este murdară, uzată, crăpată sau așezată incorect.  | Curățați garnitura ușii/sertarului sau înlocuiți-o prin serviciul pentru clienți.                                                                                                                 |
|                                                                     | Circulația necesară a aerului nu este garantată.                              | Asigurați o ventilație adecvată.                                                                                                                                                                  |

## Depanare

|                                                                                             |                                                                               |                                                                                                         |
|---------------------------------------------------------------------------------------------|-------------------------------------------------------------------------------|---------------------------------------------------------------------------------------------------------|
| Interiorul frigiderului este murdar și/sau miroase.                                         | Interiorul frigiderului necesită curățare.                                    | Curățați interiorul frigiderului.                                                                       |
|                                                                                             | Sunt depozitate alimente cu miros puternic în frigider.                       | Ambalați bine alimentele.                                                                               |
| În interiorul aparatului nu este suficient de rece.                                         | Temperatura setată este prea ridicată.                                        | Resetați temperatura.                                                                                   |
|                                                                                             | S-au păstrat alimente prea calde.                                             | Răciți întotdeauna alimentele înainte de a le depozita.                                                 |
|                                                                                             | Au fost depozitate prea multe alimente în același timp.                       | Depozitați întotdeauna cantități mici de alimente.                                                      |
|                                                                                             | Produsele sunt prea apropiate unul de altul.                                  | Lăsați un spațiu liber între mai multe alimente pentru a permite trecerea aerului.                      |
|                                                                                             | O ușă/un sertar al aparatului nu este închis etanș.                           | Închideți ușa/sertarul.                                                                                 |
|                                                                                             | Ușa/sertarul a fost deschis prea des sau pentru o perioadă prea mare de timp. | Nu deschideți ușa/sertarul prea des.                                                                    |
| În interiorul aparatului este prea rece.                                                    | Temperatura setată este prea joasă.                                           | Resetați temperatura.                                                                                   |
|                                                                                             | Funcția Super Freeze este activată sau este activă de prea mult timp.         | Opriti funcția Super Freeze.                                                                            |
| Se formează umezeală în interiorul compartimentului frigiderului.                           | Climatul este prea călduros și prea umed.                                     | Creșteți temperatura.                                                                                   |
|                                                                                             | O ușă/un sertar al aparatului nu este închis etanș.                           | Închideți ușa/sertarul.                                                                                 |
|                                                                                             | Ușa/sertarul a fost deschis prea des sau pentru o perioadă prea mare de timp. | Nu deschideți ușa/sertarul prea des.                                                                    |
|                                                                                             | Recipientele cu alimente sau lichide sunt lăsate deschise.                    | Lăsați alimentele fierbinți să se răcească la temperatura camerei și acoperiți alimentele și lichidele. |
| Umezeala se acumulează pe suprafața exterioară a frigiderului sau între uși/ ușă și sertar. | Climatul este prea călduros și prea umed.                                     | Acest lucru este normal într-un climat umed și se va modifica atunci când umiditatea va scădea.         |
|                                                                                             | Ușa/sertarul nu este închis etanș.                                            | Asigurați-vă că ușa/sertarul este închis etanș.                                                         |

|                                                               |                                                                               |                                                                                                                 |
|---------------------------------------------------------------|-------------------------------------------------------------------------------|-----------------------------------------------------------------------------------------------------------------|
| Gheață solidă în compartimentul congelatorului.               | Produsele nu au fost ambalate corespunzător.                                  | Împachetați întotdeauna bine alimentele.                                                                        |
|                                                               | O ușă/un sertar al aparatului nu este închis etanș.                           | Închideți ușa/sertarul.                                                                                         |
|                                                               | Ușa/sertarul a fost deschis prea des sau pentru o perioadă prea mare de timp. | Nu deschideți ușa/sertarul prea des.                                                                            |
|                                                               | Garnitura ușii/sertarului este murdară, uzată, crăpată sau așezată incorect.  | Curățați garnitura ușii/sertarului sau înlocuiți-o cu una nouă.                                                 |
|                                                               | Ceva din interior împiedică închiderea corespunzătoare a ușii/sertarului.     | Repoziționați rafturile, rafturile de ușă sau recipientele interne pentru a permite închiderea ușii/sertarului. |
| Aparatul emite sunete anormale.                               | Aparatul nu se află pe o suprafață dreaptă.                                   | Reglați suportul pentru a aduce aparatul la același nivel.                                                      |
|                                                               | Aparatul atinge unele obiecte din jurul acestuia.                             | Îndepărtați obiectele din jurul aparatului.                                                                     |
| Se aude un sunet similar cu cel al apei care curge.           | Acest lucru este normal.                                                      | /                                                                                                               |
| Veți auzi o alarmă sonoră.                                    | Ușa compartimentului de depozitare al frigiderului este deschisă.             | Închideți ușa sau opriți alarma manual.                                                                         |
| Veți auzi un zumzet slab care vine din apropiere.             | Sistemul anticondens este în funcțiune.                                       | Acesta împiedică formarea condensului și este normal.                                                           |
| Iluminarea interioară sau sistemul de răcire nu funcționează. | Ștecărul de alimentare nu este conectat la priza de alimentare.               | Conectați ștecărul de alimentare.                                                                               |
|                                                               | Sursa de alimentare nu este intactă.                                          | Verificați sursa de alimentare cu energie electrică din cameră. Contactați compania locală de electricitate!    |
|                                                               | Becul cu led este defect.                                                     | Contactați serviciul de depanare pentru înlocuirea becului.                                                     |
| Lateralele dulapului și garnitura ușii se încălzesc.          | Acest lucru este normal.                                                      | /                                                                                                               |
| Nu curge apă din robinetul dozatorului de apă                 | Încuietorea nu este dezactivată.                                              | Dezactivați încuietorea.                                                                                        |

### Pană de curent

- ▶ În cazul unei pene de curent, alimentele ar trebui să rămână reci timp de aproximativ 13 ore. Urmați aceste sfaturi în cazul unei pene de curent prelungite, în special pe timpul verii.
- ▶ Deschideți ușa/serarul de cât mai puține ori posibil.
- ▶ Nu puneți alimente adiționale în aparat în timpul unei pene de curent.
- ▶ În cazul în care știți că se va produce o pană de curent, iar durata acesteia va fi mai mare de 13 ore, faceți cuburi de gheață și puneți-le într-un recipient pe raftul de sus din compartimentul frigiderului.
- ▶ Imediat după întreruperea energiei electrice este necesară inspectarea produselor.
- ▶ Dat fiind faptul că temperatura din frigider va crește în timpul unei pene de curent sau în cazul altei defecțiuni, perioada de depozitare și calitatea alimentelor comestibile vor fi reduse. Alimentele care se decongelează trebuie consumate sau gătite și recongelate (unde este cazul) cât mai curând după aceea, pentru a preveni apariția riscurilor pentru sănătate.



### Observație

#### Funcția de memorare în timpul penei de curent

După restabilirea alimentării cu energie electrică, aparatul continuă să funcționeze cu setările stabilite înaintea penei de curent.

Pentru contactarea asistenței tehnice, vizitați site-ul nostru web:  
<https://corporate.haier-europe.com/en/>

La secțiunea „website” alegeți marca produsului dvs. și țara dvs. Veți fi redirecționat către website-ul specific unde puteți găsi numărul de telefon și alte modalități de contactare a asistenței tehnice.



## Despachetare



### AVERTIZARE!

- ▶ Aparatul este greu. Manevrați-l întotdeauna cu cel puțin două persoane.
- ▶ Nu lăsați materialele de ambalare la îndemâna copiilor și eliminați-le într-un mod ecologic.
- ▶ Scoateți aparatul din ambalaj.
- ▶ Îndepărtați toate materialele de ambalare.

RO

## Condiții ambientale

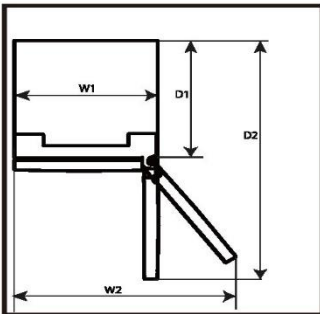
Temperatura camerei trebuie să fie cuprinsă întotdeauna între 10 °C și 43 °C, deoarece poate influența temperatura din interiorul aparatului și consumul de energie al acestuia. Nu instalați aparatul în apropierea altor aparate care emit căldură (cuptoare, frigidere) fără izolare.

## Reversibilitatea ușii

Înainte de instalarea permanentă a aparatului, verificați poziția corectă a balamalei ușii. Dacă este cazul, consultați secțiunea REVERSIBILITATEA UȘII

## Cerințe legate de spațiu

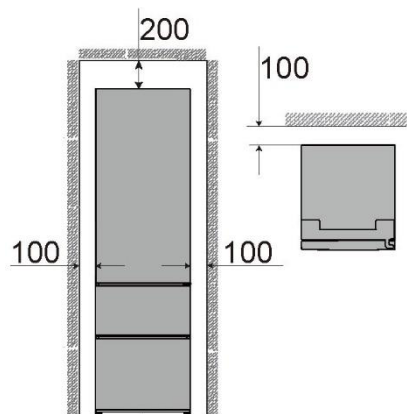
Spațiul necesar atunci când ușa este deschisă:



| Lățimea aparatului în mm |     | Adâncimea aparatului în mm |      |
|--------------------------|-----|----------------------------|------|
| W1                       | W2  | D1                         | D2   |
| 595                      | 918 | 600                        | 1220 |

## Secțiune transversală ventilare

Pentru a obține o ventilare suficientă a aparatului din motive de siguranță, trebuie respectate informațiile legate de secțiunile transversale ale ventilării necesare.



## Reversibilitatea uşii

Înainte de conectarea aparatului la sursa de alimentare, trebuie să verificați dacă modul de deschidere a uşii trebuie schimbat de la dreapta (cum este livrat) la stânga, dacă acest lucru este necesar ca urmare a locului de instalare și a utilizării.



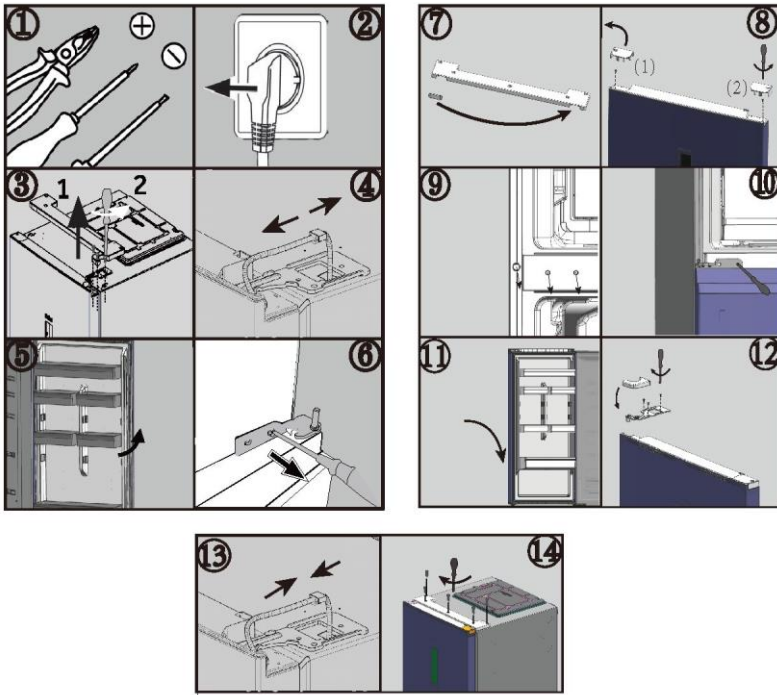
### AVERTIZARE!

- ▶ Aparatul este greu. Sunt necesare două persoane pentru efectuarea operației de reversibilitate a uşii.
- ▶ Înainte de orice operațiune, deconectați aparatul de la rețeaua de alimentare
- ▶ Nu înclinați aparatul la un unghi mai mare de 45°, pentru a împiedica deteriorarea sistemului de răcire.

## Etapele de asamblare

1. Asigurați instrumentele necesare.
2. Deconectați aparatul.
3. Scoateți capacul balamalei superioare (1) și deșurubați balamaua superioară (trei șuruburi) de pe partea dreaptă (2).
4. Deconectați cablul de conectare.
5. Ridicați cu atenție ușa slăbită a frigiderului de pe balamaua inferioară.
6. Scoateți balamaua inferioară a uşii superioare
7. Scoateți capacul mic din panoul frontal de la stânga la dreapta.
8. Întoarceți ușa cu susul în jos și deșurubați capacul (1). Scoateți noul capac (2) din punga necesară și înșurubați-l pe partea opusă.
9. Schimbați pozițiile dopurilor de acoperire și a șurubului lateral.
10. Înșurubați balama inferioară pe partea stângă a aparatului.
11. Ridicați cu grijă ușa superioară de pe balama inferioară. Și asigurați-vă că pivotul se potrivește în cilindrul balamalei uşii inferioare.
12. Scoateți noua balama superioară și capacul balamalei din punga cu accesorii. Treceți cablul de conectare prin balamaua superioară și prindeți balamaua superioară cu cele trei șuruburi de partea stângă a aparatului. Apoi, puneți capacul balamalei peste balama.
13. Conectați cablul de conectare.
14. Puneți la loc panoul frontal și fixați-l cu cinci șuruburi.

După schimbarea poziției uşii, verificați dacă garniturile uşii sunt amplasate corect pe carcasă și toate șuruburile sunt bine strânse.



### Temperaturi ambientale

Temperată extinsă: acest aparat frigorific este proiectat pentru utilizarea la temperaturi ambientale cuprinse între 10 °C și 32 °C;

Temperată: acest aparat frigorific este proiectat pentru utilizarea la temperaturi ambientale cuprinse între 16 °C și 32 °C;

Subtropicală: acest aparat frigorific este proiectat pentru utilizarea la temperaturi ambientale cuprinse între 16 °C și 38 °C;

Tropicală: acest aparat frigorific este proiectat pentru utilizarea la temperaturi ambientale cuprinse între 16 °C și 43 °C;

**Fișa de produs conform reglementării UE nr. 2019/2016**

Pe baza rezultatelor testului standard timp de 24 de ore. Consumul efectiv de energie va depinde de modul de utilizare a aparatului și de amplasarea acestuia

| Marcă comercială                                                                                                         | Haier               | Haier               | Haier               |
|--------------------------------------------------------------------------------------------------------------------------|---------------------|---------------------|---------------------|
| Identificatorul de model                                                                                                 | HTW5618DN*          | HTW5620DN*          | HTW5618DW*          |
| Categoria modelului                                                                                                      | Combină frigorifică | Combină frigorifică | Combină frigorifică |
| Clasa de eficiență energetică                                                                                            | D                   | D                   | D                   |
| Consumul anual de energie (kWh/an)                                                                                       | 217                 | 226                 | 216                 |
| Volum frigider (l)                                                                                                       | 201                 | 255                 | 198                 |
| Volum de congelare (l)                                                                                                   | 125                 | 125                 | 125                 |
| Volum My Zone (l)                                                                                                        | 34                  | 34                  | 34                  |
| Clasificarea prin stele                                                                                                  | 4                   | 4                   | 4                   |
| Sistem fără îngheț                                                                                                       | Da                  | Da                  | Da                  |
| Durată stare de siguranță la întreruperea curentului (h)/ Durată pentru creșterea temperaturii (h)                       | 13                  | 13                  | 13                  |
| Capacitatea de congelare (kg/24 h)                                                                                       | 10                  | 10                  | 10                  |
| Clasa de climat<br>Acest aparat este proiectat pentru utilizarea la temperaturi ambientale cuprinse între 10 °C și 43 °C | SN/N/ST/T           | SN/N/ST/T           | SN/N/ST/T           |
| Clasa de emisii sonore și emisii de zgomote acustice aeropurtate (dB(A) re 1pW)                                          | 35                  | 35                  | 35                  |

| Marcă comercială                                                                                                         | Haier               | Haier               |
|--------------------------------------------------------------------------------------------------------------------------|---------------------|---------------------|
| Identificatorul de model                                                                                                 | HTW5618CN*          | HTW5620CN*          |
| Categoria modelului                                                                                                      | Combină frigorifică | Combină frigorifică |
| Clasa de eficiență energetică                                                                                            | C                   | C                   |
| Consumul anual de energie (kWh/an)                                                                                       | 173                 | 181                 |
| Volum frigider (l)                                                                                                       | 201                 | 255                 |
| Volum de congelare (l)                                                                                                   | 125                 | 125                 |
| Volum My Zone (l)                                                                                                        | 34                  | 34                  |
| Clasificarea prin stele                                                                                                  | 4                   | 4                   |
| Sistem fără îngheț                                                                                                       | Da                  | Da                  |
| Durată stare de siguranță la întreruperea curentului (h)/<br>Durată pentru creșterea temperaturii (h)                    | 13                  | 13                  |
| Capacitatea de congelare (kg/24 h)                                                                                       | 10                  | 10                  |
| Clasa de climat<br>Acest aparat este proiectat pentru utilizarea la temperaturi ambientale cuprinse între 10 °C și 43 °C | SN/N/ST/T           | SN/N/ST/T           |
| Clasa de emisii sonore și emisii de zgomote acustice aeropurtate (dB(A) re 1pW)                                          | 35                  | 35                  |

## Fișa de produs conform reglementării UE nr. 2019/2016

Pe baza rezultatelor testului standard timp de 24 de ore. Consumul efectiv de energie va depinde de modul de utilizare a aparatului și de amplasarea acestuia

| Marcă comercială                                                                                                         | Haier               | Haier               | Haier               |
|--------------------------------------------------------------------------------------------------------------------------|---------------------|---------------------|---------------------|
| Identificatorul de model                                                                                                 | HDPW5618DN*         | HDPW5620DN*         | HDPW5618DW*         |
| Categoria modelului                                                                                                      | Combină frigorifică | Combină frigorifică | Combină frigorifică |
| Clasa de eficiență energetică                                                                                            | D                   | D                   | D                   |
| Consumul anual de energie (kWh/an)                                                                                       | 214                 | 220                 | 214                 |
| Volum frigider (l)                                                                                                       | 201                 | 255                 | 198                 |
| Volum de congelare (l)                                                                                                   | 117                 | 117                 | 117                 |
| Volum My Zone (l)                                                                                                        | 34                  | 34                  | 34                  |
| Clasificarea prin stele                                                                                                  | 4                   | 4                   | 4                   |
| Sistem fără îngheț                                                                                                       | Da                  | Da                  | Da                  |
| Durată stare de siguranță la întreruperea curentului (h)/<br>Durată pentru creșterea temperaturii (h)                    | 13                  | 13                  | 13                  |
| Capacitatea de congelare (kg/24 h)                                                                                       | 10                  | 10                  | 10                  |
| Clasa de climat<br>Acest aparat este proiectat pentru utilizarea la temperaturi ambientale cuprinse între 10 °C și 43 °C | SN/N/ST/T           | SN/N/ST/T           | SN/N/ST/T           |
| Clasa de emisii sonore și emisii de zgomote acustice aeropurtate (dB(A) re 1pW)                                          | 35                  | 35                  | 35                  |

| Marcă comercială                                                                                                         | Haier               | Haier               | Haier               |
|--------------------------------------------------------------------------------------------------------------------------|---------------------|---------------------|---------------------|
| Identificatorul de model                                                                                                 | HDPW5618CN*         | HDPW5620CN*         | HDPW5620AN*         |
| Categoria modelului                                                                                                      | Combină frigorifică | Combină frigorifică | Combină frigorifică |
| Clasa de eficiență energetică                                                                                            | C                   | C                   | A                   |
| Consumul anual de energie (kWh/an)                                                                                       | 171                 | 176                 | 114                 |
| Volum frigider (l)                                                                                                       | 201                 | 255                 | 255                 |
| Volum de congelare (l)                                                                                                   | 117                 | 117                 | 120                 |
| Volum My Zone (l)                                                                                                        | 34                  | 34                  | 34                  |
| Clasificarea prin stele                                                                                                  | 4                   | 4                   | 4                   |
| Sistem fără îngheț                                                                                                       | Da                  | Da                  | Da                  |
| Durată stare de siguranță la întreruperea curentului (h)/<br>Durată pentru creșterea temperaturii (h)                    | 13                  | 13                  | 16                  |
| Capacitatea de congelare (kg/24 h)                                                                                       | 10                  | 10                  | 10                  |
| Clasa de climat<br>Acest aparat este proiectat pentru utilizarea la temperaturi ambientale cuprinse între 10 °C și 43 °C | SN/N/ST/T           | SN/N/ST/T           | SN/N/ST/T           |
| Clasa de emisii sonore și emisii de zgomote acustice aeropurtate (dB(A) re 1pW)                                          | 35                  | 35                  | 35                  |

## Date tehnice suplimentare

| Identificatorul de model      | HTW5618D*                              | HTW5620DN*    | HTW5618CN*    | HTW5620CN*    |
|-------------------------------|----------------------------------------|---------------|---------------|---------------|
| Volumul total (l)             | 360<br>(357 pentru<br>HTW5618DWMG(UK)) | 414           | 360           | 414           |
| Tensiune/<br>Frecvență        | 220-240V/50Hz                          | 220-240V/50Hz | 220-240V/50Hz | 220-240V/50Hz |
| Curentul de intrare (A)       | 1.4A                                   | 1.4A          | 1.4A          | 1.4A          |
| Siguranța principală (A)      | 16A                                    | 16A           | 15A           | 15A           |
| Agent de răcire/<br>cantitate | R600a/53g                              | R600a/53g     | R600a/50g     | R600a/50g     |
| Dimensiuni (L/A/Î în mm)      | 595*667*1850                           | 595*667*2050  | 595*667*1850  | 595*667*2050  |

| Identificatorul de model      | HDPW5618D*   | HDPW5618DW*  | HDPW5620DN*  |
|-------------------------------|--------------|--------------|--------------|
| Volumul total (l)             | 352          | 349          | 406          |
| Tensiune/<br>Frecvență        | 220-240/50Hz | 220-240/50Hz | 220-240/50Hz |
| curentul de intrare (A)       | 1.4A         | 1.4A         | 1.4A         |
| Siguranța principală (A)      | 16A          | 16A          | 16A          |
| Agent de răcire/<br>cantitate | R600a/53g    | R600a/53g    | R600a/53g    |
| Dimensiuni (L/A/Î în mm)      | 595*667*1850 | 595*667*1850 | 595*667*2050 |



| Identificatorul de model      | HDPW5618CN*  | HDPW5620CN*  | HDPW5620AN*  |
|-------------------------------|--------------|--------------|--------------|
| Volumul total (l)             | 352          | 406          | 409          |
| Tensiune/<br>Frecvență        | 220-240/50Hz | 220-240/50Hz | 220-240/50Hz |
| curentul de intrare (A)       | 1.4A         | 1.4A         | 1.4A         |
| Siguranța principală (A)      | 15A          | 15A          | 15A          |
| Agent de răcire/<br>cantitate | R600a/50g    | R600a/50g    | R600a/50g    |
| Dimensiuni (L/A/Î în mm)      | 595*667*1850 | 595*667*2050 | 595*667*2050 |

### Standarde și directive

Acest produs respectă cerințele tuturor directivelor CE aplicabile, cu standardele corespunzătoare armonizate, care asigură marcajul CE.

## Serviciul pentru clienți

Vă recomandăm să apelați la serviciul pentru clienți Haier și să utilizați piese de schimb originale.

Dacă aveți o problemă cu aparatul, consultați mai întâi secțiunea DEPANARE.

Dacă nu găsiți nicio soluție acolo, contactați

- ▶ distribuitorul local sau
- ▶ Centrul nostru european de servicii telefonice (vedeți numerele de telefon enumerate mai jos) sau
- ▶ zona Service și Asistență pe [www.haier.com](http://www.haier.com), unde puteți activa cererea de service
- ▶ și găsi, de asemenea, întrebări frecvente.

Pentru contactarea serviciului nostru, asigurați-vă că aveți următoarele date.

Informațiile pot fi găsite pe plăcuța cu date tehnice.

Model \_\_\_\_\_

Nr. serie \_\_\_\_\_

De asemenea, verificați și fișa de garanție furnizată cu produsul, în cazul garanției.

| Centrul european de servicii telefonice |                  |                                                                           |
|-----------------------------------------|------------------|---------------------------------------------------------------------------|
| Țara*                                   | Număr de telefon | Costuri                                                                   |
| Haier Italy (IT)                        | 199 100 912      |                                                                           |
| Haier Spain (ES)                        | 902 509 123      |                                                                           |
| Haier Germany (DE)                      | 0180 5 39 39 99  | • 14 Ct/min de pe telefon fix<br>• max 42 Ct/Min de pe mobil              |
| Haier Austria (AT)                      | 0820 001 205     | • 14,53 Ct/min de pe telefon fix<br>• max 20 Ct/Min de pe toate celelalte |
| Haier United Kingdom (UK)               | 0333 003 8122    |                                                                           |
| Haier France (FR)                       | 0980 406 409     |                                                                           |

\* Pentru alte țări, consultați [www.haier.com](http://www.haier.com)

Haier Europe Trading S.r.l

Filiala Marea Britanie

Westgate House, Westgate, Ealing

Londra, W5 1YY

\*Durata garanției aparatului frigorific:

Garanția minimă este de: 2 ani pentru țările din UE, 3 ani pentru Turcia, 1 an pentru Marea Britanie, 1 an pentru Rusia, 3 ani pentru Suedia, 2 ani pentru Serbia, 5 ani pentru Norvegia, 1 an pentru Maroc, 6 luni pentru Algeria, Tunisia nu necesită nicio garanție legală.

\* Perioada de piese de schimb pentru repararea aparatului:

Termostatele, senzorii de temperatură, plăcile cu circuite imprimate și sursele de lumină sunt disponibile timp de o perioadă minimă de șapte ani de la punerea pe piață a ultimei unități a modelului.

Mânerele de uși, balamalele de uși, tăvile și coșurile, timp de o perioadă minimă de șapte ani, iar garniturile de uși timp de o perioadă minimă de 10 ani de la punerea pe piață a ultimei unități a modelului.

\*Pentru mai multe informații despre produs, vă rugăm consultați

<https://eprel.ec.europa.eu/> sau scanați codul QR de pe eticheta energetică furnizată cu aparatul.



---

|                                |     |
|--------------------------------|-----|
| Säkerhetsinformation.....      | 740 |
| Avsedd användning.....         | 746 |
| Produktbeskrivning.....        | 747 |
| Kontrollpanel.....             | 753 |
| Användning .....               | 754 |
| Wi-Fi-användning.....          | 759 |
| Användning .....               | 760 |
| Tips för att spara energi..... | 763 |
| Utrustning.....                | 764 |
| Skötsel och rengöring .....    | 768 |
| Felsökning.....                | 772 |
| Installation .....             | 776 |
| Teknisk data.....              | 779 |
| Kundtjänst .....               | 785 |

**Tack för att du köpte en Haier-produkt.**

Läs igenom dessa anvisningar noggrant innan du använder apparaten. Instruktionerna innehåller viktig information som hjälper dig att bättre förstå apparaten och säkerställa en säker och korrekt installation, användning och underhåll.

Förvara den här bruksanvisningen på en lämplig plats så att du alltid kan läsa den för att använda apparaten på ett säkert och korrekt sätt.

Om du säljer apparaten, ger bort den eller lämnar den kvar när du flyttar, se till att du också lämnar över den här bruksanvisningen så att den nya ägaren kan bekanta sig med apparaten och säkerhetsföreskrifterna.



## **VARNING - Viktig säkerhetsinformation**



## **OBSERVERA - Allmän information och tips**



## **Miljöinformation**



### **Bortskaffande**

Bidra till att skydda miljön och människors hälsa. Lägg förpackningen i lämpliga behållare för att återvinna den. Hjälptill att återvinna avfall från elektriska och elektroniska apparater. Släng inte apparater märkta med denna symbol med hushållsavfallet. Lämna in produkten till den lokala återvinningsanläggningen eller kontakta ditt kommunala kontor.



## **VARNING!**

Risk för skada eller kvävning!

Köldmedier och gaser måste bortskaffas professionellt. Se till att kylmediekretsens slangar inte är skadade innan de kasseras. Koppla bort apparaten från elnätet. Klipp av nätkabeln och kassera den. Ta bort bricker och lådor samt dörrspärrar och tätningar för att förhindra att barn och husdjur stängs in i apparaten.

## Innan du slår på apparaten för första gången, läs följande säkerhetsråd!:



### **VARNING!**

#### **Innan apparaten används första gången**

- ▶ Se till att det inte finns några transportskador.
- ▶ Ta bort all förpackning och förvara utom räckhåll för barn.
- ▶ Vänta minst två timmar innan du installerar apparaten för att säkerställa att köldmediekretsen är fullt effektiv.
- ▶ Apparaten är tung och ska hanteras av minst två personer.

#### **Installation**

- ▶ Apparaten ska placeras på en väl ventilerad plats. Se till att det finns ett utrymme på minst 10 cm över och runt apparaten.
- ▶ Placera aldrig apparaten i ett fuktigt utrymme eller på en plats där vatten kan stänka på apparaten. Rengör och torka vattenstänk och fläckar med en mjuk, ren trasa.
- ▶ Installera inte apparaten i direkt solljus eller i närheten av värmekällor (t.ex. spisar, värmare).
- ▶ Installera och nivellera apparaten på en lämplig plats med hänsyn till användning och storlek.
- ▶ Håll ventilationsöppningarna i apparaten eller i den inbyggda konstruktionen fria från hinder.
- ▶ Kontrollera att den elektriska informationen på typskylten överensstämmer med strömförsörjningen. Om den inte gör det, kontakta en elektriker.
- ▶ Apparaten drivs av en strömförsörjning på 220-240 VAC/50 Hz. Onormala spänningsvariationer kan göra att apparaten inte startar, skada temperaturkontrollen eller kompressorn eller låta konstigt under drift. Om det är så, ska en automatisk regulator installeras.
- ▶ Använd ett separat jordat uttag för strömförsörjningen som är lätt att komma åt. Apparaten måste jordas.
- ▶ Endast för UK: Apparatsens strömkabel är försedd med en 3-polig jordad kontakt som passar ett standarduttag med 3 poler (jordad). Klipp aldrig av eller demontera den tredje polen (jordad). Kontakten ska vara tillgänglig när apparaten är installerad.
- ▶ Använd inte adapttrar och förlängningskablar med flera kontakter.
- ▶ Se till att strömkabeln inte fastnar i kylskåpet. Trampa inte på strömkabeln.
- ▶ Skada inte köldmediekretsen.
- ▶ Lägg inte flera bärbara uttag eller bärbara strömförsörjningsaggregat bakom produkten.

**VARNING!****Daglig användning**

- ▶ Den här apparaten kan användas av barn från 8 års ålder och av personer med nedsatt fysisk, sensorisk eller mental förmåga om de har fått handledning eller instruktioner för säker användning och förstår de faror som är inblandade.
- ▶ Barn ska inte leka med apparaten.
- ▶ Barn i åldern 3-8 år får använda kylskåpet för att ta ut och sätta i mat. De får inte rengöra eller installera kylskåpet.
- ▶ Håll barn under 3 år borta från apparaten om de inte är under uppsikt hela tiden.
- ▶ Rengöring och skötsel ska inte utföras av barn utan uppsikt.
- ▶ Apparaten måste placeras så att kontakten är åtkomlig.
- ▶ Om kolgas av annan brandfarlig gas läcker ut i närheten av apparaten, stäng av ventilen för den läckande gasen, öppna dörrar och fönster och dra inte ur strömkabeln till kylskåpet eller någon annan apparat.
- ▶ Observera att apparaten är inställd för drift vid ett specifikt temperaturintervall mellan 10 och 43 °C. Det kan hända att apparaten inte fungerar som den ska om den lämnas under en längre tid vid en temperatur över eller under det angivna intervallet.
- ▶ För att förhindra personskada orsakad av fall eller elchock orsakad av kontakt med vatten, ska instabila föremål (tunga objekt, behållare med vatten) inte placeras ovanpå apparaten.
- ▶ Dra inte i dörrhyllorna. Dörren kan dras snett, flaskstället kan dras bort eller så kan apparaten välta.
- ▶ Öppna och stäng dörren endast med handtagen. Mellanrummet mellan dörren och skåpet är mycket smalt. Lägg inte händerna i dessa områden för att undvika att fingrarna kläms. Öppna eller stäng dörrarna till kyl-/frys-skåpet endast när inga barn står inom dörrens rörelseområde.
- ▶ Förvara aldrig öl eller drycker på flaska, vätskor i flaskor eller burkar (förutom högprocentiga spritdrycker), särskilt kolsyrade drycker i frysen, eftersom de spricker under frysning.
- ▶ Förvara inte explosiva ämnen t.ex. aerosolburkar med brandfarlig drivmedel i den här produkten.



**VARNING!**

- ▶ Förvara inte mediciner, medel med bakterier eller kemikalier i apparaten. Den här apparaten är en hushållsapparat. Det rekommenderas inte att förvara material som kräver strikta temperaturer.
- ▶ För att undvika förorening av livsmedel ska du följa följande anvisningar:
- ▶ - Att hålla dörren öppen under långa perioder kan orsaka en betydande ökning av temperaturen i apparatens utrymmen.
- ▶ - Rengör regelbundet ytor som kan komma i kontakt med livsmedel och tillgängliga dräneringssystem.
- ▶ - Rengör vattentankar om de inte har använts under 48 timmar; spola vattensystemet anslutet till vattenförsörjning om vatten inte har använts på 5 dagar.
- ▶ - Förvara rått kött och fisk i lämpliga behållare i kylan, så att det inte kommer i kontakt med eller droppar på andra livsmedel.
- ▶ - Tvåstjärniga frysack är lämpliga för att förvara förfryst mat, förvara eller göra glass och göra isbitar.
- ▶ - En-, två- och trestjärniga fack är inte lämpliga för infrysning av färsk mat.
- ▶ - Om kylanordningen kommer att vara ur bruk under en längre period; stäng av apparaten, avfrosta, rengör, torka och låt dörren vara öppen för att förhindra att mögel utvecklas i apparaten.
- ▶ Kontrollera livsmedlens skick om det har skett en uppvärmning i frysen.
- ▶ Ställ inte in onödigt låg temperatur i kylskåpet. Minustemperaturer kan förekomma vid höga inställningar. Varning: Flaskor kan spricka.
- ▶ Rör inte frysta varor med våta händer (bär handskar). Åt framför allt inte isglass omedelbart efter att den har tagits ut ur frysacket. Det finns risk att blåsor bildas på grund av köldskador. FÖRSTA hjälpen: håll den skadade kroppsdelen under rinnande kallt vatten. Dra inte undan!
- ▶ Rör inte insidan av frysens förvaringsutrymme när den är i drift, särskilt inte med våta händer, eftersom dina händer kan frysa fast på ytan.
- ▶ Koppla ur apparaten i händelse av strömavbrott eller före rengöring. Vänta i minst 7 minuter innan du startar apparaten igen. Frekventa startar kan ska kompressorn
- ▶ Använd inte elektriska apparater inuti förvaringsutrymmet för matvaror, om de inte är av en typ som rekommenderas av tillverkaren

**VARNING!****Underhåll/rengöring**

- ▶ Barn som utför rengöring och underhåll ska hållas under uppsikt.
- ▶ Koppla bort apparaten från elnätet innan du utför rutinunderhåll. Vänta i minst 5 minuter innan du startar apparaten igen. Frekventa startar kan skada kompressorn.
- ▶ Håll i kontakten, inte kabeln, när du kopplar ur apparaten.
- ▶ Rengör inte apparaten med hårda borstar, stålborstar, rengöringsmedelpulver, bensen, amylacetat, aceton och liknande organiska lösningar, sura eller alkaliska lösningar. Rengör med ett speciellt rengöringsmedel för kyl-/frysåp för att undvika skador. Använd varmt vatten och bikarbonatlösning - cirka en matsked bikarbonat per liter/quart vatten. Skölj noggrant med vatten och torka torrt. Använd inte rengöringspulver eller andra slipande rengöringsmedel. Diska inte avtagbara delar i diskmaskin.
- ▶ Skrapa inte bort frost och is med vassa föremål. Använd inte sprayer, elektriska värmare som värmeelement, hårtork, ångtvättar eller andra värmekällor för att undvika skador på plastdelarna.
- ▶ Använd inte mekaniska hjälpmedel för att skynda på avfrostningen, annat än de som rekommenderas av tillverkaren.
- ▶ Om elsladden skadas måste den bytas av tillverkaren, dennes serviceombud eller liknande kvalificerad person för att undvika faror.
- ▶ Försök inte att reparera, demontera eller modifiera apparaten själv. Kontakta vår kundservice angående reparationer.
- ▶ Om lamporna skadas måste de bytas av tillverkaren, dennes serviceombud eller liknande kvalificerad person för att undvika faror.
- ▶ Ta bort dammet på baksidan av enheten minst en gång om året för att undvika brandrisk och ökad energiförbrukning.
- ▶ Spruta eller spola inte i eller på apparaten under rengöringen.
- ▶ Använd inte vattenspray eller ånga för att rengöra apparaten.
- ▶ Rengör inte de kalla glashyllorna eller glasdörren med varmt vatten. Plötsliga temperaturförändringar kan göra att glaset går sönder.
- ▶ Låt dörren vara öppen om apparaten inte ska användas under en längre tid, för att förhindra att det börja lukta illa i apparaten.

## Information om köldmediegas



### VARNING!

Apparaten innehåller det brandfarliga köldmediet ISOBUTANE (R600a). Se till att köldmediekretsen inte skadas under transport eller installation. Läckande köldmedium kan orsaka ögonskador eller antändas. Om en skada har uppstått: håll borta från öppna eldkällor, ventiler rummet ordentligt, koppla inte in eller dra ut nätsladdarna till apparaten eller någon annan apparat. Informera kundtjänsten.

Om ögonen kommer i kontakt med köldmediet, skölj dem omedelbart under rinnande vatten och kontakta omedelbart en ögonspecialist.

Kylsystemet är under högt tryck. Rör inte vid det. Eftersom brandfarliga köldmedier används, ska apparaten installeras, hanteras och servas strikt enligt instruktionerna. Kontakta en professionell agent eller vår kundservice för att kassera apparaten.

För kylskåp med is-vatten-funktion ska du vara uppmärksam på följande varning:

- För apparater som inte är avsedda att anslutas till vattenförsörjningen: fyll endast med dricksvatten.
- För apparater avsedda att anslutas till vattenförsörjningen: anslut endast till dricksvattenförsörjningen.
- Om du vill rengöra vattensystemet, se bruksanvisningen. Om du har några frågor, kontakta kundtjänsten.

### Avsedd användning

Den här apparaten är avsedd för att kyla och frysa mat. Den har designats uteslutande för användning i hushåll och liknande tillämpningar som personalkök i butiker, kontor och andra arbetsmiljöer; bondgårdar och av kunder på hotell, motell och andra bostadsmiljöer samt inom bed-and-breakfast och cateringverksamhet. Den är inte avsedd för kommersiell eller industriell användning. Det är inte tillåtet att ändra eller modifiera anordningen. Oavsiktlig användning kan orsaka faror och förlust av garantin.

SV

### Standarder och direktiv och

Denna produkt uppfyller kraven i alla tillämpliga EG-direktiv med motsvarande harmoniserade standarder och brittiska standarder, som tillhandahåller CE- och UKCA-märkning.

### Tillbehör

Kontrollera tillbehören och litteraturen i enlighet med denna lista:

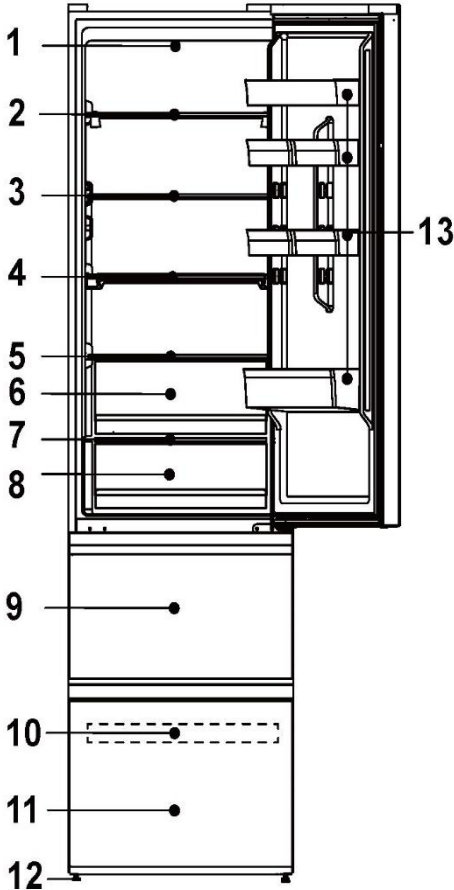


### UPPMÄRKSAMMA

På grund av tekniska förändringar och olika modeller kan vissa illustrationer i den här bruksanvisningen skilja sig från din modell.

**i UPPMÄRKSAMMA**

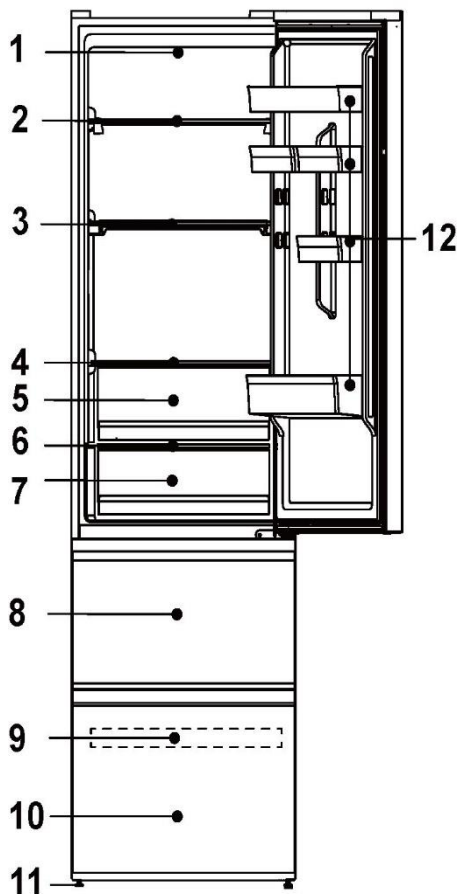
På grund av tekniska förändringar och olika modeller kan vissa av illustrationerna i den här bruksanvisningen skilja sig från modellen. (HTW5620\*N\*)



- 1-LED-lampa för kylskåp
- 2-Vinställ
- 3-Glashylla
- 4-Vikbart hyllplan
- 5-Lock till Humidity Zone-låda
- 6-Humidity Zone-låda
- 7-Lock till My Zone-låda
- 8-My Zone-låda
- 9-Övre frysförvaringslåda
- 10-Frysbricka
- 11-Nedre frysförvaringslåda
- 12-Justerbara fötter
- 13-Dörrhylla

## **i** UPPMÄRKSAMMA

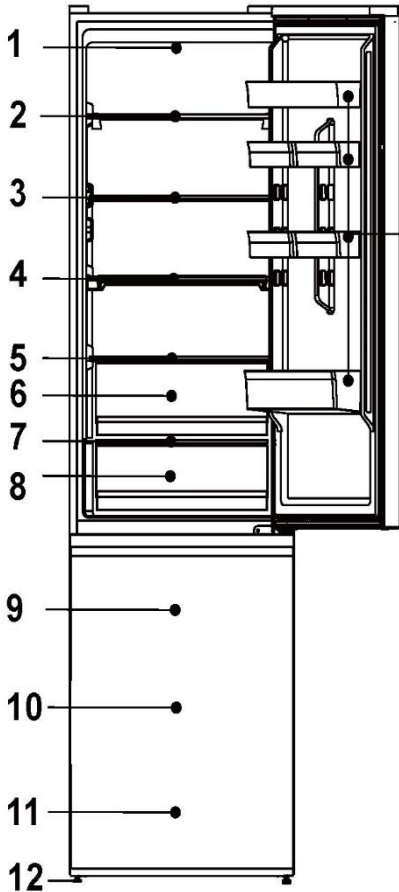
På grund av tekniska förändringar och olika modeller kan vissa av illustrationerna i den här bruksanvisningen skilja sig från modellen. (HTW5618\*N\*)



- 1-LED-lampa för kylskåp
- 2-Vinställ
- 3-Vikbart hyllplan
- 4-Lock till Humidity Zone-låda
- 5-Humidity Zone-låda
- 6-Lock till My Zone-låda
- 7-My Zone-låda
- 8-Övre frysförvaringslåda
- 9-Frysbricka
- 10-Nedre frysförvaringslåda
- 11-Justerbara fötter
- 12-Dörrhylla

## **i** UPPMÄRKSAMMA

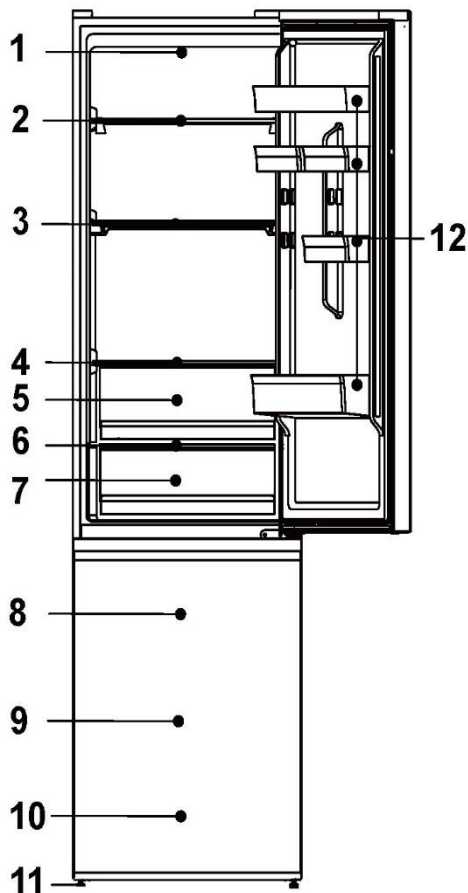
På grund av tekniska förändringar och olika modeller kan vissa av illustrationerna i den här bruksanvisningen skilja sig från modellen. (HDPW5620\*N\*)



- 1-LED-lampa för kylskåp
- 2-Vinställ
- 3-Glashylla
- 4-Vikbart hyllplan
- 5-Lock till Humidity Zone-låda
- 6-Humidity Zone-låda
- 7-Lock till My Zone-låda
- 8-My Zone-låda
- 9-Övre frysförvaringslåda
- 10-Mellersta frysförvaringslåda
- 11-Nedre frysförvaringslåda
- 12-Justerbara fötter
- 13-Dörrhylla

## **i** UPPMÄRKSAMMA

På grund av tekniska förändringar och olika modeller kan vissa av illustrationerna i den här bruksanvisningen skilja sig från modellen. (HDPW5618\*N\*)

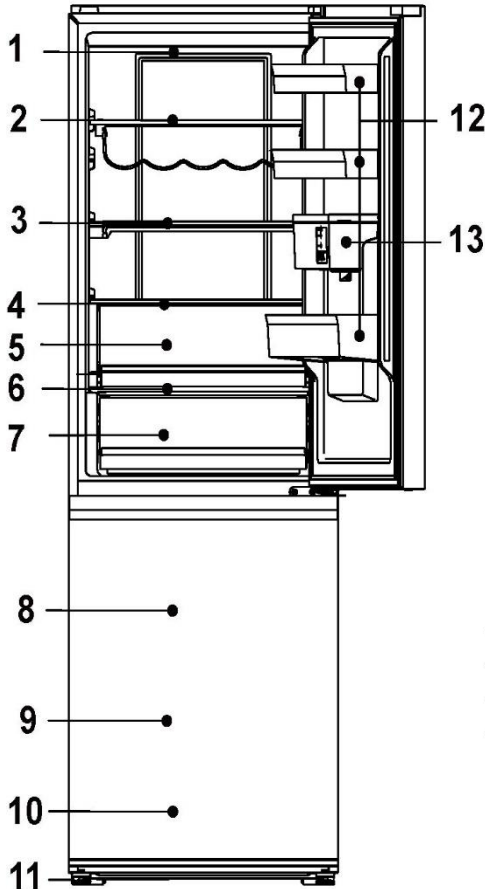


- 1-LED-lampa för kylskåp
- 2-Vinställ
- 3-Vikbart hyllplan
- 4-Lock till Humidity Zone-låda
- 5-Humidity Zone-låda
- 6-Lock till My Zone-låda
- 7-My Zone-låda
- 8-Övre frysförvaringslåda
- 9-Mellersta frysförvaringslåda
- 10-Nedre frysförvaringslåda
- 11-Justerbara fötter
- 12-Dörrhylla



## **i** UPPMÄRKSAMMA

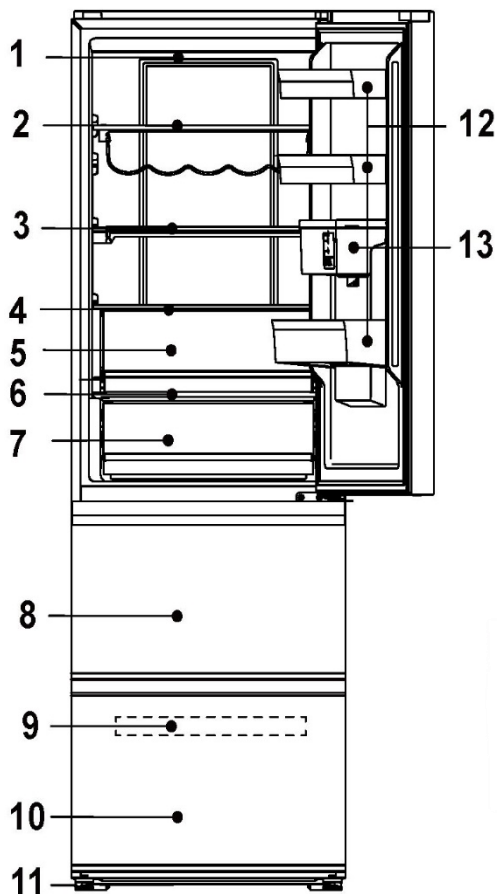
På grund av tekniska förändringar och olika modeller kan vissa av illustrationerna i den här bruksanvisningen skilja sig från modellen. (HDPW5618DW\*)



- 1-LED-lampa för kylskåp
- 2-Vinställ
- 3-Vikbart hyllplan
- 4-Lock till Humidity Zone-låda
- 5-Humidity Zone-låda
- 6-Lock till My Zone-låda
- 7-My Zone-låda
- 8-Övre frysförvaringslåda
- 9-Mellersta frysförvaringslåda
- 10-Nedre frysförvaringslåda
- 11-Justerbara fötter
- 12-Dörrhylla
- 13-Vattentank

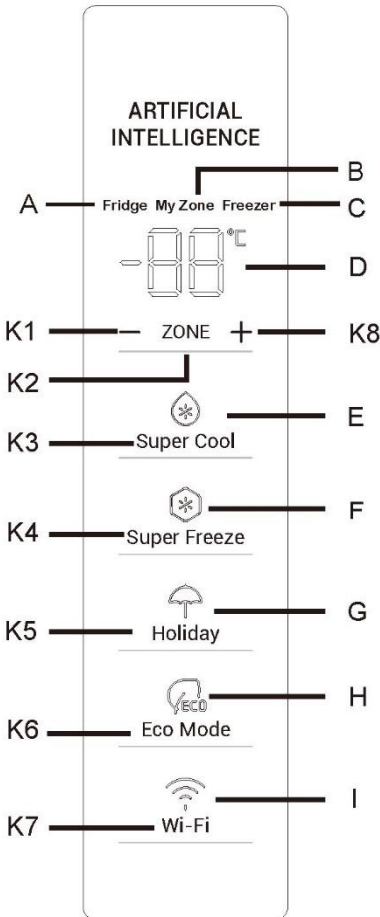
## **i** UPPMÄRKSAMMA

På grund av tekniska förändringar och olika modeller kan vissa av illustrationerna i den här bruksanvisningen skilja sig från modellen. (HTW5618DW\*)



- 1-LED-lampa för kylskåp
- 2-Vinställ
- 3-Vikbart hyllplan
- 4-Lock till Humidity Zone-låda
- 5-Humidity Zone-låda
- 6-Lock till My Zone-låda
- 7-My Zone-låda
- 8-Övre frysförvaringslåda
- 9-Frysbricka
- 10-Nedre frysförvaringslåda
- 11-Justerbara fötter
- 12-Dörrhylla
- 13-Vattentank

## Kontrollpanel



Knappar:

- A Kyldel
- B My Zone-utrymme
- C Frysdel
- D Temperaturdisplay
- E Super Cool-funktion
- F Super Freeze-funktion
- G Holiday-funktion
- H Eco Mode-funktion
- I Wi-Fi-funktion

Indikatorer:

- K1 Sänk temperaturen
- K2 Väljare för Kyl, My Zone och Frys
- K3 Super Cool-funktion på/av
- K4 Super Freeze-funktion på/av
- K5 Holiday-funktion på/av
- K6 Eco Mode-funktion på/av
- K7 Wi-Fi-funktion på/av
- K8 Öka temperaturen

### Innan apparaten används första gången

Ta bort allt förpackningsmaterial, förvara det utom räckhåll för barn och kassera det på ett miljövänligt sätt.

Rengör apparats in- och utsida samt interiören och tillbehören med vatten och ett mildt rengöringsmedel och den väl med en mjuk trasa.

Vänta minst 2 timmar innan du ansluter apparaten till strömförsörjningen efter att den har installerats och rengjorts. Se avsnitt INSTALLATION.

Förkyl facken ordentligt genom att ställa in de högre kylinställningarna innan du fyller dem med mat. Funktionen Super Freeze hjälper till att kyla ner frysdelen snabbt

### Sensorknappar

Knapparna på kontrollpanelen är sensorknappar som reagerar redan vid lätt beröring med fingret.

### Slå på/av apparaten

Apparaten är i drift så snart den ansluts till strömförsörjningen.

När apparaten sätts på för första gången visar temperaturindikatorerna "D" de förinställda värdena (se nedanstående meddelande).

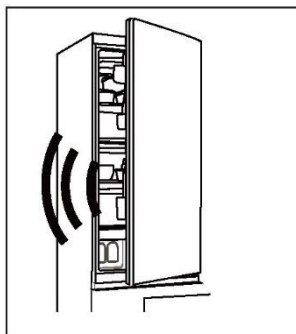
### **i** UPPMÄRKSAMMA

Apparaten är förinställd på den rekommenderade temperaturen på 5 °C (kylskåp) och -18 °C (frysdel). My Zone-temperaturen är förinställd på ca 2 °C, vilket är de rekommenderade inställningarna. Om man önskar går det att manuellt ändra de inställda temperaturerna.

### Larm för öppen dörr

När kylskåpsdörren är öppen i mer än 3 minuter ljuder larmet för dörröppning.

Larmet slutar att låta när dörren stängs. Om dörren är öppen i mer än 7 minuter släcks ljuset i kylskåpet och kontrollpanelen automatiskt.



Justera temperaturen

Inomhustemperaturer påverkas av följande faktorer:

Omgivningstemperatur

Frekvens av dörröppning

Mängden förvarade livsmedel

Installation av apparaten

### Justera temperaturen för kylan

1. Tryck på knappen "K2" (kyl/ (My Zone)/frys) för att välja kyldelen. Ikonerna "A" (kyldel) och "D" (temperaturdisplay) är ljusa.
2. Tryck på knappen "K1/K8" för att ställa in kylskåpets temperatur. Temperaturen ökar i sekvenser om 1 °C, från minst 2 °C till högst 8 °C. Den optimala temperaturen i kylskåpet är 5 °C. Kallare temperaturer innebär onödig energiförbrukning.
3. Efter cirka 5 sekunder lyser temperaturikonen "D" (temperaturdisplay) permanent och inställningen är bekräftad.

### UPPMÄRKSAMMA

Du kan justera både kylskåpets och frysens temperatur från appen. Temperaturen kan ställas in med en känslighet på 1 °C.

### Justera temperaturen för frysen

1. Tryck på touch-knappen "K2" (kyl/ (My Zone)/ frys) för att välja frysdelen (frysack), ikonerna "C" och "D" (temperaturdisplay) är ljusa.
2. Tryck på touch-knappen "K1/K8" för att ställa in frysens temperatur. Temperaturen ökar i sekvenser om 1 °C, från minst -24 °C till högst -16 °C. Den optimala temperaturen i kylskåpet är -18. Kallare temperaturer innebär onödig energiförbrukning.
3. Efter cirka 5 sekunder lyser temperaturindikatorn "D" (temperaturdisplay) permanent och inställningen är bekräftad.

### UPPMÄRKSAMMA

Om du trycker på andra knappar inom 5 sekunder efter att du har ställt in temperaturen, bekräftas den aktuella temperaturinställningen omedelbart. Om ingen knapptryckning utförs inom 5 sekunder visas den aktuella inställda temperaturen tills skärmen slocknar.

### Justera temperaturen för My Zone

Kyldelen är utrustad med en My Zone-låda. I enlighet med kraven på förvaring av livsmedel kan den lämpligaste temperaturen väljas för att få ett optimalt näringsvärde hos livsmedlen.

1. Tryck på knappen "K2" (kyl/ (My Zone)/frys) för att välja My Zone-utrymmet. Ikonerna "B" (My Zone-utrymme) och "D" (temperaturdisplay) är ljusa. Den kan också väljas från appen.
2. Tryck på touch-knappen "K1/K8" för att ställa in temperaturen i My Zone. Temperaturen kan även justeras på appen.

Temperaturen ökar i sekvenser om 1 °C, från minst 0 °C till högst 5 °C.

3. Efter cirka 5 sekunder lyser temperaturikonen "D" (temperaturdisplay) permanent och inställningen är bekräftad.

### UPPMÄRKSAMMA

1. Du kan ställa in temperaturen i My Zone-utrymmet på mellannivån (2 °C) för att bevara din mat i en optimal förvaringsmiljö.
2. På grund av köttets olika vatteninnehåll fryser en del kött med högre fukthalt vid temperaturer under 0 °C, så kött som "precis styckats" bör förvaras i My Zone-lådan vid en temperatur som inte understiger 0 °C.
3. Köldkänslig frukt som ananas, avokado, bananer, grapefrukter och grönsaker som potatis, auberginer, bönor, gurkor, zucchini, tomater och ost bör inte förvaras i My Zone-lådan.
4. Om kylskåpets temperatur är lägre än temperaturen i My Zone är det normalt att temperaturen i My Zone är lägre än inställningstemperaturen i My Zone.

### Super-Cool-funktion

1. Super Cool-funktionen är lämplig om du ska förvara en stor mängd mat (till exempel precis efter inköp). Super Cool-funktionen kyler snabbt ned färska matvaror och skyddar de varor som finns i kylskåpet från att värmas.
2. Tryck på knappen "K3" eller slå på den från appen, ikonen "E" (Super Cool-funktion) lyser och funktionen är aktiverad.

## UPPMÄRKSAMMA

1. Apparaten avslutar "Super Cool-funktionen" efter att ha gått in i "Super Cool-funktionen" i 6 timmar eller om du tryckt på knappen "K3" när ikonen "E" (Super Cool-funktion) lös. Eller stäng av den från appen.
2. Om kyldelens temperatur justeras i Super Cool-läget blinkar ikonen "E" (Super Cool-funktion) för att indikera att denna åtgärd inte kan utföras.

### Super-Frz-funktion

1. Färsk mat ska frysas så snabbt som möjligt. På så sätt kan man bevara det bästa näringsvärdet, utseendet och smaken. Super Freeze-funktionen fryser snabbt ned färska matvaror och skyddar de varor som finns i frysen från att värmas. Om du behöver frysa in en stor mängd mat på en gång rekommenderar vi att du ställer in Super Freeze-funktionen på 24 timmar innan du lägger in varorna för förvaring.
2. Tryck på knappen "K4" (inställning av Super Freeze-funktionen) eller slå på den från appen, ikonen "F" (Super Freeze-funktion) lyser och funktionen är aktiverad.

## UPPMÄRKSAMMA

1. Apparaten avslutar "Super Freeze-funktionen" efter att ha gått in i "Super Freeze-funktionen" i 50 timmar eller om du tryckt på knappen "K4" när ikonen "F" (Super Freeze-funktion) lös. Eller stäng av den från appen.
2. Om frysdelens temperatur justeras i Super Freeze-läget blinkar ikonen "F" (Super Freeze-funktion) för att indikera att denna åtgärd inte kan utföras.

### Holiday-funktion

När apparaten inte används regelbundet kan man använda Holiday-funktionen för att minska apparatens energiförbrukning. När funktionen är påslagen är kylskåpet avstängt medan frysen fortsätter att fungera normalt. Funktionen ställer in kylskåpets temperatur permanent på 17 °C.

Detta gör att man kan ha kylskåpsdörren stängd när det är tomt utan att det börjar lukta illa eller att det uppstår mögel vid längre frånvaro (t.ex. under semestern). Den här inställningen utesluter frysdelen.

1. Tryck på knappen "K5" (Holiday-funktion på/av) eller välj funktionen i appen, ikonen "G" (Holiday-funktion) lyser och funktionen är aktiverad.
2. Funktionen kan avaktiveras genom att trycka på knappen "K5" (Holiday-funktion på/av) igen eller genom att ställa in kylskåpets temperatur eller genom att göra någon annan inställning. Eller stäng av den från appen.

### UPPMÄRKSAMMA

1. Under Holiday-funktionen får inga livsmedel förvaras i kylskåpet. Temperaturen + 17 °C är för hög för att förvara livsmedel.
2. När Holiday-funktionen är aktiverad är ikonen My Zone avstängd och kylfunktionen är låst. Om temperaturen i kyldelen justeras blinkar ikonen "G" (Holiday-funktion) för att indikera att denna åtgärd inte kan utföras.

### **Eco Mode-funktion**

För att optimera apparatens prestanda och förvara maten på bästa sätt aktiverar du Eco Mode. Om du inte har några särskilda krav rekommenderar vi att du använder Eco Mode-funktionen.

I detta läge är kylskåpets temperatur 5 °C, och kyldelens temperatur -18 °C.

1. Tryck på knappen "K6" (Eco Mode-funktion på/av) eller välj funktionen i appen.
2. Ikonen "H" (Eco Mode-funktion) lyser och funktionen är aktiverad.






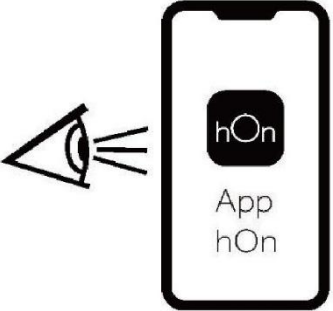
Genom att upprepa ovanstående steg eller välja en annan funktion eller stänga av från appen kan funktionen stängas av igen. De tidigare inställda kylnivåerna återställs.

### UPPMÄRKSAMMA

Om temperaturen i kylan/frysacket justeras under Eco Mode-funktionen blinkar ikonen "H" (Eco Mode-funktion) för att indikera att denna åtgärd inte kan utföras.



Steg 1 Ladda ner hOn-appen från butikerna.

|                                                                                                                                                                                                                                                                                                                                         |                                                                                                                                                   |
|-----------------------------------------------------------------------------------------------------------------------------------------------------------------------------------------------------------------------------------------------------------------------------------------------------------------------------------------|---------------------------------------------------------------------------------------------------------------------------------------------------|
|     |                                                                                                                                                   |
| <p>Steg 2 Skapa ditt konto i hOn-appen eller logga in om du redan har ett konto.</p>                                                                                                                                                                   | <p>Steg 3 Följ instruktionerna för hopkoppling i hOn-appen.</p>  |

SV

## Wi-Fi-funktion

1. Följ anvisningarna i appen för att konfigurera Wi-Fi.
2. När Wi-Fi har konfigurerats och anslutningen upprättats är Wi-Fi-ikonen "I" ljus och fast.
3. Om Wi-Fi redan har konfigurerats kommer den (om du slår på Wi-Fi) automatiskt att återslutas i enlighet med konfigurationsinformationen.

### UPPMÄRKSAMMA

1. För att stänga av Wi-Fi, tryck på Wi-Fi-knappen "K7" och Wi-Fi-ikonen "I" stängs av.
2. För att slå på Wi-Fi och starta configurationen trycker du på Wi-Fi-knappen "K7" och Wi-Fi-ikonen "I" börjar blinka långsamt. Om du vill konfigurera Wi-Fi-funktionen trycker du på "K7" i 3 sekunder, Wi-Fi-ikonen blinkar snabbt och går in i konfigurationsläget. Om du vill stänga av Wi-Fi-funktionen trycker du på knappen "K7" en gång. Ovanstående steg upprepas.
3. Om produkten har konfigurerats och Wi-Fi-funktionen har stängts av kommer kylskåpet inte att gå in i konfigurationsläget när det ansluts till strömmen igen

### UPPMÄRKSAMMA

1. Denna produkt är inte avsedd för kommersiellt bruk.
2. Max RF-utgångseffekt: 2,4 GHz Wi-Fi: 16 dBm;
3. Bluetooth LE: 5dBm; Bluetooth(BR/EDR): 10dBm.
4. Frekvensområde för drift: 2 400-2 483,5 MHz.

### Förvaring i kyldelen

Håll ditt kylskåps temperatur under 5 °C.

Varm mat måste kylas ned till rumstemperatur innan den placeras i kylskåpet.

Matvaror som förvaras i kylskåp ska tvättas och torkas innan de förvaras.

Matvaror som ska förvaras bör förslutas ordentligt för att undvika att det börjar lukta eller ändrar smak.

Förvara inte alltför stora mängder livsmedel. För en mer homogen kylning ska utrymme lämnas mellan matvarorna så att kall luft kan cirkulera fritt.

Mat som äts dagligen bör förvaras längst fram på hyllan.

Lämna ett mellanrum mellan matvarorna och de inre väggarna, så att luften kan cirkulera. Förvara inte livsmedel mot den bakre väggen. De kan då frysa fast mot den. Undvik direktkontakt mellan mat (särskilt fet/oljig eller sur mat) och kylskåpets interiör, eftersom olja/syra kan fräta sönder materialet. Om du upptäcker spill från oljig/sur mat ska det tas bort snarast.

Fryst mat kan försiktigt tinas upp i kyldelen. Detta sparar energi.

Åldringsprocessen för frukt och grönsaker som squash, meloner, papaya, bananer, ananas etc. kan påskyndas i kylskåpet. Därför rekommenderas det inte att förvara dem i kylskåpet. Lök, vitlök, ingefära och andra rotfrukter bör också förvaras vid rumstemperatur.

Obehagliga lukter inne i kylskåpet är ett tecken på att något har spillts ut och att man måste göra rent skåpet. Se avsnittet Skötsel och rengöring.

Olika livsmedel bör placeras i olika områden beroende på deras egenskaper.

### Förvaring i frysdelen

Håll frystemperaturen på -18 °C.

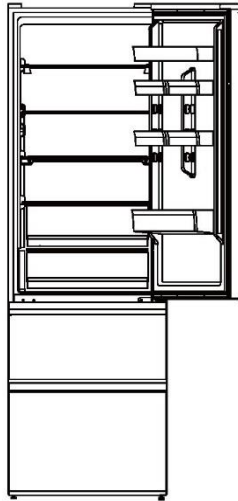
Slå på Super-Freeze-funktionen 24 timmar före frysning. För små mängder mat räcker det med 4–6 timmar.

Het mat måste kylas ned till rumstemperatur innan den placeras i frysdelen.

Mat delas upp i mindre portioner/bitar fryser snabbare och blir lättare att tina upp och tillaga. Den rekommenderade vikten per portion är mindre än 2,5 kg

Det är bättre att packa maten innan den läggs in i frysen. Förpackningens utsida måste vara torr för att undvika att påsarna klibbar ihop. Förpackningsmaterial ska vara luktfritt, lufttätt och giftfritt.

För att undvika att förvaringsperioderna löper ut bör du notera frysdatum, tidsgräns och namn på livsmedlet på förpackningen i enlighet med förvaringsperioderna för olika livsmedel.



## VARNING!

- ▶ Syra, alkali och salt etc. kan fräta sönder frysens innerbeläggning.
- ▶ Placera inte livsmedel med dessa ämnen (t.ex. havsfisk) direkt på den inre ytan. Saltvatten i frysen ska tas bort omedelbart.
- ▶ Överskrid inte tillverkarnas rekommendationer för förvaringslängd. Ta bara ut den nödvändiga mängden mat ur frysen.
- ▶ Konsumera den tinade maten snabbt. Upptinade livsmedel kan inte frysas in igen om de inte först tillagas. De kan annars vara mindre ätbara.
- ▶ Förvara inte mycket stora mängder färska matvaror i frysdelen. Se frysens fryskapacitet – Se TEKNISKA DATA eller data på typskylten.
- ▶ Mat kan förvaras i frysen vid en temperatur på minst  $-18\text{ °C}$  i 2 till 12 månader, beroende på typ av livsmedel (t.ex. kött: 3–12 månader, grönsaker: 6–12 månader)
- ▶ När du fryser in färska livsmedel ska du undvika att de kommer i kontakt med redan frysta livsmedel. Risk för upptining!

### **När du förvarar kommersiellt frysta livsmedel bör du följa dessa riktlinjer:**

Följ alltid tillverkarnas riktlinjer för hur länge du ska förvara maten. Överskrid inte dessa riktlinjer!

Försök att hålla tiden mellan inköp och förvaring så kort som möjligt för att bevara livsmedlens kvalitet.

Köp fryst mat som har förvarats vid en temperatur på  $-18\text{ °C}$  eller lägre.

Undvik att köpa livsmedel som har is eller frost på förpackningen – det tyder på att produkterna delvis har tinats upp och sedan frysts igen. Detta påverkar kvaliteten på maten.

### Vattendispenser

Med vattendispensern kan du tappa upp kallt dricksvatten.

Vattentanken ska rengöras före första användningen (se avsnittet SKÖTSEL OCH RENGÖRING).

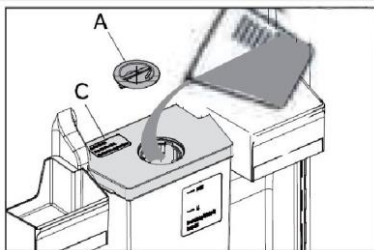
### Påfyllning av vattentank



#### VARNING!

► Använd endast dricksvatten.

1. Se till att vattentanken är ordentligt insatt (se avsnittet UTRUSTNING)
2. Vrid och lyft det runda locket (A) och håll färskt dricksvatten i vattentanken (fig.5.10.1).
3. Fyll endast vatten upp till markeringen (2,5 l); eftersom det kan rinna över när dörren öppnas och stängs.
4. Stäng det runda locket (A) tills det klickar på plats.



#### UPPMÄRKSAMMA

1. Apparaten avslutar "Super Cool-funktionen" efter att ha gått in i "Super Cool-funktionen" i 6 timmar eller om du tryckt på knappen "K3" när ikonen "E" (Super Cool-funktion) lös. Eller stäng av den från appen.
2. Om kyldelens temperatur justeras i Super Cool-läget blinkar ikonen "E" (Super Cool-funktion) för att indikera att denna åtgärd inte kan utföras.

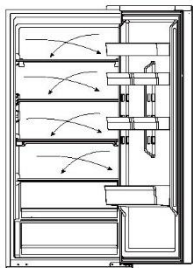


### Tips för att spara energi

- ▶ Se till att apparaten är ordentligt ventilerad (se INSTALLATION).
- ▶ Installera inte apparaten i direkt solljus eller i närheten av värmekällor (t.ex. spisar, värmare).
- ▶ Undvik onödigt låga temperaturer i apparaten. Energiförbrukningen ökar när den inställda temperaturen i apparaten sjunker.
- ▶ Funktioner som SUPER FREEZE förbrukar mer energi.
- ▶ Låt varm mat svalna innan du placerar den i apparaten.
- ▶ Öppna apparatens dörr så lite och så kort tid som möjligt.
- ▶ Fyll inte på med för mycket för att inte hindra luftflödet.
- ▶ Undvik luft i livsmedelsförpackningen.
- ▶ Håll dörrtätningarna rena så att dörren alltid stängs korrekt.
- ▶ Tina frysta livsmedel i kylutrymmet eller använd D-Frost-funktionen i My Zone-lådan.
- ▶ Den mest energibesparande konfigurationen kräver att lådor, matlådor och hyllorna placeras i ett fabriksfräscht skick i apparaten och att maten placeras utan att blockera kanalens luftutsläpp.

## **i** Uppmärksamma

På grund av olika modeller har din produkt kanske inte alla följande funktioner. Se kapitel Produktbeskrivning.l.

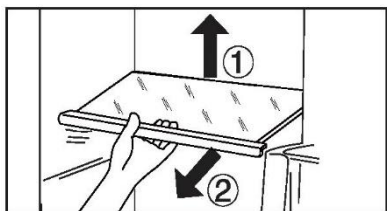


### Flera luftflöden

Kylskåpet är utrustat med ett system med flera luftflöden. Varje hyllplan har luftflöden. Detta bidrar till att hålla en jämn temperatur för att se till att maten hålls fräschare längre

### Justerbara hyllor

1. Hyllornas höjd kan justeras för att passa dina förvaringsbehov.
2. Om du vill flytta en hylla tar du först bort den genom att lyfta upp dess bakre kant ① och dra ut den ②.
3. För att återmontera den, sätt den på klackarna på båda sidorna och skjut den till det bakersta läget tills baksidan av hyllan är fast i skårorna på sidorna



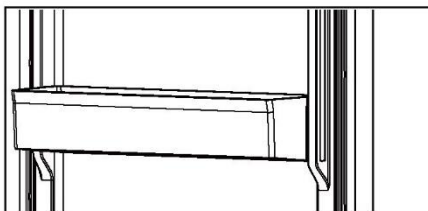
## **i** Uppmärksamma

Se till att hyllan ligger plant.

### Avtagbar dörrhylla

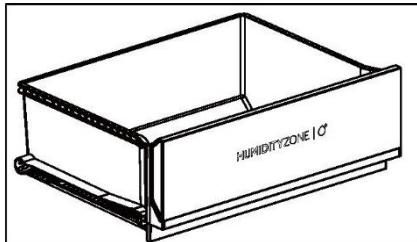
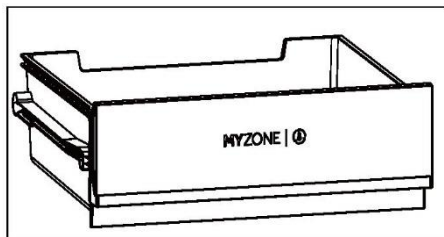
Dörrhyllorna kan tas bort för rengöring:

Placera händerna på vardera sidan om hyllan, lyft upp den (1) och dra ut den (2). Sätt tillbaka dörrhyllan genom att göra på omvänt sätt.



## My Zone-låda

För att använda och ställa in My Zone-utrymmet, se avsnittet ANVÄND (My Zone).



SV

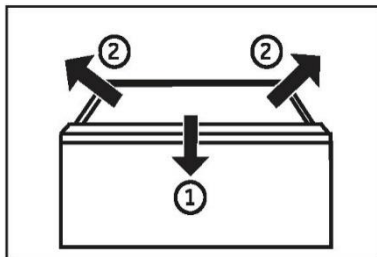
## Humidity Zone-låda

I det här facket regleras luftfuktigheten automatiskt av systemet vilket gör det lämpligt för förvaring av frukt, grönsaker, sallader osv.

## Avtagbar låda

För att ta ut lådan ur kylen eller frysdelen drar du ut lådan maximalt (1), lyfter och tar bort den (2).

Sätt tillbaka lådan genom att göra på omvänt sätt.



## Fryslåda

Fryslådan kan dras ut rakt och helt. De är monterade på lättrullade teleskopskenor. Så att du kan bekvämt komma åt och förvara den frysta maten. Tack vare den automatiska dörrstängningsmekanismen är hanteringen enkel och du kan spara energi.



### **VARNING!**

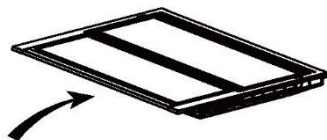
Överbelasta inte lådorna: Maximal belastning för varje låda: 35 kg!

### **Belysning**

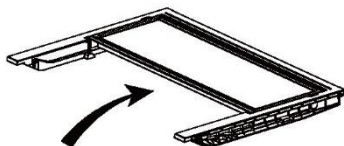
Lysdioderna i apparaten tänds när dörren öppnas. Ljusets prestanda påverkas inte av någon av apparatens andra inställningar.

### **Vikbara hyllplan**

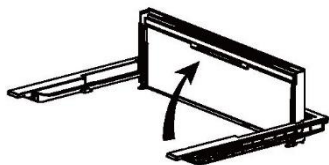
De vikbara hyllplanen gör det möjligt för användaren att ställa höga flaskor eller föremål på hyllorna. Hyllorna kan vikas bakåt och det tillgängliga utrymmet på den nedre hyllan blir större. Du kan vika hyllan genom att följa stegen 1~3. Om du vill återgå till den ursprungliga positionen gör stegen omvänt.



Steg 1: Skjut långsamt fram hyllans framsida mot slutet.



Steg 2: Skjut hyllan långsamt uppåt till dess vertikala läge.



Steg 3: Hyllan är vertikal. Det sparar utrymme.

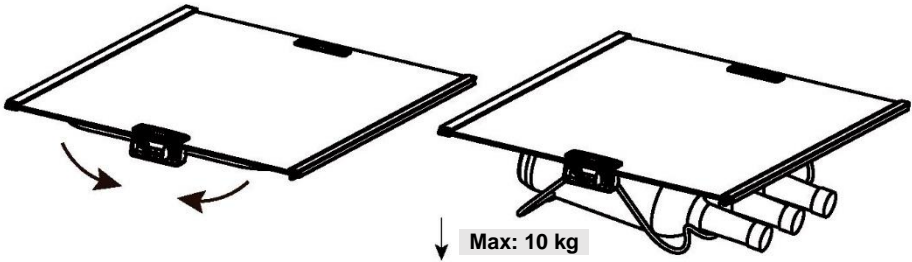


## Fällbart flaskställ

För normal användning

1. Dra ner fästena på flaskstället
2. Placera flaskorna i stället

När flaskstället inte används kan det fällas tillbaka för att spara utrymme.



SV

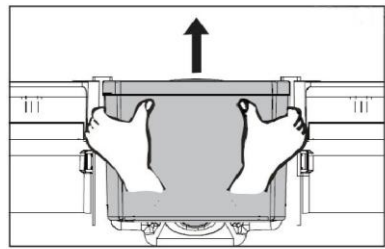
## Vattentank

### Ta bort vattentanken

Vattentanken kan tas bort och återinstalleras för rengöring på samma sätt som dörrhyllorna.

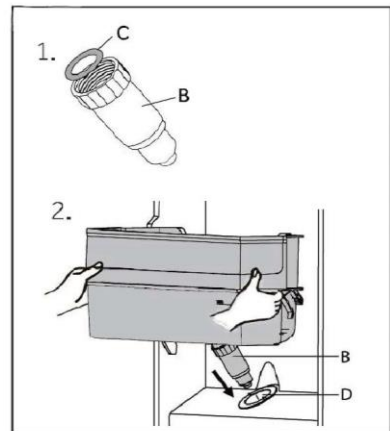
### Sätt i vattentanken

1. Kontrollera att pipen (B) är ordentligt fastskruvad i vattentanken och att den vita O-ringen (C) är på plats.
2. Placera vattentanken i ett läge att pipen (B) passar in i dörrrens öppning (D).



### **i** Uppmärksamma

- ▶ Kontrollera att pipen är ordentligt fastskruvad i vattentanken och att den vita O-ringen (C) är på plats.
- ▶ Om vattentanken inte sätts in på rätt sätt kan det droppa vatten från anslutningen.
- ▶ Använd inte överdriven kraft när du tar bort eller installerar vattentanken för att undvika tanken skadas.





### VARNING!

Innan rengöring ska apparaten kopplas bort från strömförsörjningen.

### Rengöring

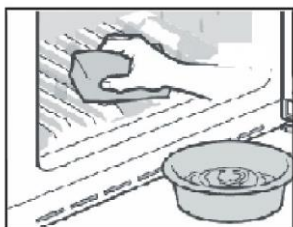
Rengör apparaten när det inte förvaras någon mat eller bara lite mat.

För god skötsel och för att undvika dålig lukt från förstörd mat bör apparaten rengöras var fjärde vecka.



### VARNING!

- ▶ Rengör inte apparaten med hårda borstar, stålborstar, rengöringsmedelspulver, bensin, amylacetat, aceton och liknande organiska lösningar, sura eller alkaliska lösningar. Rengör med ett speciellt rengöringsmedel för kylskåp för att undvika skador.
- ▶ Spruta eller spola inte i eller på apparaten under rengöringen.
- ▶ Använd inte vattenspray eller ånga för att rengöra apparaten.
- ▶ Rengör inte de kalla glashyllorna med hett vatten. Plötsliga temperaturförändringar kan göra att glaset spricker.
- ▶ Rör inte insidan av frysens förvaringsutrymme, särskilt inte med våta händer, eftersom dina händer kan frysa fast på ytan.
- ▶ Vid uppvärmning ska du kontrollera frysta varors tillstånd.



- ▶ Håll alltid dörrpackningen ren.
- ▶ Rengör apparatens insida och hölje med en svamp fuktad med varmt vatten och neutralt rengöringsmedel.
- ▶ 1. Skrubba kylskåpets insida och utsida, inklusive dörrtätning, dörrhyllor, glashyllor, lådor och så vidare, med en mjuk handduk eller svamp doppad i varmt vatten (du kan tillsätta neutralt rengöringsmedel i det varma vattnet).
- ▶ 2. Om det har spillts vätska, ta bort alla förorenade delar, skölj direkt med rinnande vatten, torka och ställ tillbaka den/dem i kylan.
- ▶ 3. Om det finns spilld grädde (t.ex. grädde, smältande glass), ta bort alla förorenade delar, lägg dem i varmt vattnet (cirka 40 °C) under en tid, skölj sedan med rinnande vatten, torka och lägg tillbaka dem i kylskåpet.
- ▶ 4. Om någon liten del eller komponent fastnar inuti kylan (mellan hyllor eller lådor), använd en liten mjuk borste för att lossa den. Om du inte kan nå delen, kontakta Haier service
- ▶ Skölj av och torka med en mjuk trasa.
- ▶ Inga delar av apparaten får köras i diskmaskin.
- ▶ Vänta i minst 5 minuter innan du startar apparaten igen. Frekventa startar kan skada kompressorn.

### Avfrostning

Avfrostning av kyl- och frysutrymmet sker automatiskt: det krävs ingen manuell åtgärd.

## Byte av LED-lampor

**VARNING!**

Byt inte LED-lamporna själv. Den får endast bytas ut av tillverkaren eller en auktoriserad serviceverkstad.

Lamporna använder LED som ljuskälla, vilket ger låg energiförbrukning och lång livslängd. Om det finns något avvikelser, kontakta kundtjänsten. Se KUNDTJÄNST.

Parametrar för lamporna:

| Del                    | LED lampa |
|------------------------|-----------|
| Spänning i V           | 12V       |
| Maxeffekt i W          | 1,5W      |
| LED-specifikation      | Vit-2835  |
| LED-effektivitetsklass | G         |
| Användningstemperatur  | -40-80 °C |

**Icke i bruk under längre tid**

Om apparaten inte används under en längre tid och du inte kommer att använda funktionen Holiday för kylskåpet:

Ta ut maten.

Dra ut kontakten.

Rengör apparaten enligt beskrivningen ovan.

Håll dörrarna öppna för att förhindra att dåligt lukt bildas i skåpet.

**Uppmärksamma**

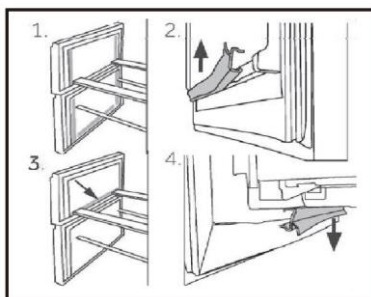
Stäng endast av apparaten om det är absolut nödvändigt.

### Avtagbara extra dörrpackningar

Det finns sex extra dörrpackningar på de övre och nedre fryslådorna.

1. Placera de fem angivna dörrpackningar på de övre och nedre fryslådorna.
2. Se till att de böjda delarna av packningarna pekar inåt när du fäster dem.
3. Placera den nedre packningen på den övre lådan enligt anvisningarna.
4. Se till att den böjda delen av packningen pekar nedåt när du fäster den.

Du får dessa packningar samt packningarna för att vända dörren/lådpackningarna via kundtjänst (se garantikort).



### Flytta apparaten

1. Ta ut alla matvaror och koppla ifrån apparaten.
2. Fäst hyllor och andra rörliga delar i kylen och i frysen med tejp.
3. För att undvika att kylsystemet skadas ska apparaten inte lutas mer än 45°.

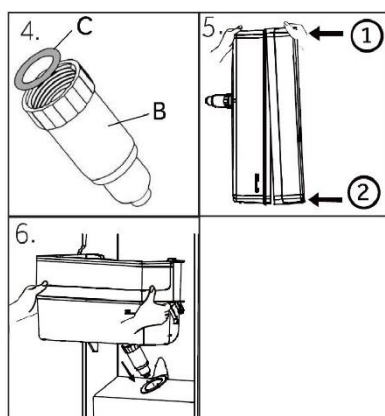
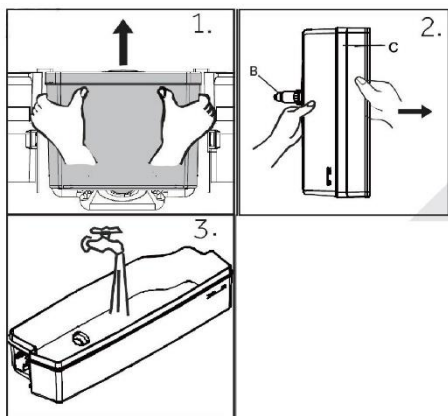


### **VARNING!**

- ▶ Lyft inte apparaten i handtagen.
- ▶ Placera aldrig apparaten horisontellt på marken.

## Rengöring av vattentank

1. Ta bort vattentanken från apparaten.
2. Ta bort locket (C) och skruva försiktigt loss pipen (B).
3. Rengör vattentanken och pipen med rinnande varmt vatten och flytande diskmedel. Se till att allt diskmedel sköljs bort
4. Montera pipen (B) och se till att den sitter ordentligt fast i vattentanken och att den vita O-ringen (C) sitter på plats.
5. Tryck på locket för att ansluta det med den ena sidan av vattentanken och sedan den andra sidan. Kontrollera att vattentanken och locket är helt monterade.
6. Sätt tillbaka tanken i apparaten. Se till att pipen är korrekt införd i dörrhålet.



### Uppmärksamma

- Om vattentanken inte sätts in på rätt sätt kan det droppa vatten från anslutningen.
- Använd inte överdriven kraft när du tar bort eller installerar vattentanken för att undvika tanken skadas.

Många problem som uppstår kan du lösa själv specifik expertis. Vid problem, kontrollera listade möjligheter och följ instruktionerna nedan innan du kontaktar en kundtjänst. Se KUNDTJÄNST.



### VARNING!

- ▶ Före underhåll ska du stänga av apparaten och dra ut nätkontakten ur eluttaget.
- ▶ Elektrisk utrustning bör endast underhållas av kvalificerade eltekniker, eftersom felaktiga reparationer kan orsaka betydande följdskador.
- ▶ En skadad nätkontakt får endast bytas ut av tillverkaren dess serviceagent eller liknande kvalificerade personer för att undvika fara.

### Felsökningstabell

| Problem                                                | Möjlig orsak                                                                               | Möjlig lösning                                                                                                                                                |
|--------------------------------------------------------|--------------------------------------------------------------------------------------------|---------------------------------------------------------------------------------------------------------------------------------------------------------------|
| Kompressorn fungerar inte.                             | Nätkontakten är inte ansluten till eluttaget.                                              | Anslut nätkontakten.                                                                                                                                          |
|                                                        | Apparaten är i avfrostningscykeln.                                                         | Detta är normalt för en automatisk avfrostning.                                                                                                               |
| Apparatens körs ofta eller kör för länge.              | Den invändiga eller utvändiga temperaturen är för hög.                                     | I detta fall är det normalt att apparaten kör längre.                                                                                                         |
|                                                        | Apparaten har varit utan ström under en tid.                                               | Det tar vanligtvis 8 till 12 timmar för apparaten att helt kylas ned.                                                                                         |
|                                                        | En dörr/låda i apparaten är inte helt stängd.                                              | Stäng dörren/lådan och säkerställ att apparaten är placerad på en plan yta och att det inte finns någon mat eller behållare som förhindrar att dörren stängs. |
|                                                        | Dörren/lådan har öppnats för ofta eller för länge.                                         | Öppna inte dörren/lådan för ofta.                                                                                                                             |
|                                                        | Temperaturinställningen för frysdelen är för låg.                                          | Ställ in temperaturen högre tills kylskåpstemperaturen är tillfredsställande. Det tar 24 timmar för kylskåpets temperatur att bli stabil.                     |
|                                                        | Dörrrens/lådans packning(ar) är smutsig(a), sliten(na), sprucken(na) eller felanpassad(e). | Rengör dörr/lådapackningen eller byt ut dem via kundtjänsten.                                                                                                 |
|                                                        | Den nödvändiga luftcirkulationen är inte garanterad.                                       | Säkerställ tillräcklig ventilation.                                                                                                                           |
| Det är smutsigt och/eller luktar illa inuti kylskåpet. | Kylskåpet behöver rengöras.                                                                | Rengör kylskåpets insida.                                                                                                                                     |
|                                                        | Mat som luktar starkt förvaras i kylskåpet.                                                | Förpacka maten ordentligt.                                                                                                                                    |

|                                                                           |                                                                                           |                                                                                            |
|---------------------------------------------------------------------------|-------------------------------------------------------------------------------------------|--------------------------------------------------------------------------------------------|
| Det är inte tillräckligt kallt inuti apparaten.                           | Temperaturen är inställd för högt.                                                        | Återställ temperaturen                                                                     |
|                                                                           | För varm mat har förvarats.                                                               | Kyl alltid ner maten innan du förvarar den.                                                |
|                                                                           | För mycket mat har lagrats på en gång.                                                    | Förvara alltid små mängder mat.                                                            |
|                                                                           | Livsmedlen ligger för nära varandra.                                                      | Lämna ett mellanrum mellan varorna så att luften kan flöda.                                |
|                                                                           | En dörr/låda i apparaten är inte helt stängd.                                             | Stäng dörren/lådan.                                                                        |
|                                                                           | Dörren/lådan har öppnats för ofta eller för länge.                                        | Öppna inte dörren/lådan för ofta.                                                          |
| Det är för kallt inuti apparaten.                                         | Temperaturen är inställd för lågt.                                                        | Återställ temperaturen.                                                                    |
|                                                                           | Funktionen Super Freeze är aktiverad eller körs för länge.                                | Stäng av Super Freeze-funktionen.                                                          |
| Det finns fukt på insidan i kyldelen.                                     | Klimatet är för varmt och för fuktigt.                                                    | Öka temperaturen.                                                                          |
|                                                                           | En dörr/låda i apparaten är inte helt stängd.                                             | Stäng dörren/lådan.                                                                        |
|                                                                           | Dörren/lådan har öppnats för ofta eller för länge.                                        | Öppna inte dörren/lådan för ofta.                                                          |
|                                                                           | Behållare med mat eller vätskor är öppna.                                                 | Låt heta matvaror svalna till rumstemperatur och förpacka mat och vätska.                  |
| Det ansamlas fukt på kylskåpets utsida eller mellan dörrar/dörr och låda. | Klimatet är för varmt och för fuktigt.                                                    | Detta är normalt i fuktigt klimat och kommer att ändras när luftfuktigheten minskar.       |
|                                                                           | Dörren/lådan är inte helt stängd.                                                         | Säkerställ att dörren/lådan är helt stängd.                                                |
| Is- och frostbildning i frysdelen.                                        | Matvarorna var inte ordentligt förpackade.                                                | Förpacka alltid maten väl.                                                                 |
|                                                                           | En dörr/låda i apparaten är inte helt stängd.                                             | Stäng dörren/lådan.                                                                        |
|                                                                           | Dörren/lådan har öppnats för ofta eller för länge.                                        | Öppna inte dörren/lådan för ofta.                                                          |
|                                                                           | Dörrens/lådans packning(ar) är smutsig(a), slitna(na), sprucken(na) eller felanpassad(e). | Rengör dörrens/lådans packning(ar) eller byt ut den/dem mot nya.                           |
|                                                                           | Något på insidan hindrar dörren/lådan från att stänga ordentligt.                         | Flytta om hyllorna, dörrhyllorna eller de inre behållarna så att dörren/lådan kan stängas. |

## Felsökning

|                                                          |                                                   |                                                                  |
|----------------------------------------------------------|---------------------------------------------------|------------------------------------------------------------------|
| Apparaten låter konstigt.                                | Apparaten är inte placerad på en plan yta.        | Justera fötterna för att nivellera apparaten.                    |
|                                                          | Apparaten rör vid något föremål runt omkring den. | Ta bort föremål runt apparaten.                                  |
| Ett svagt ljud hörs som liknar det från rinnande vatten. | Det här är normalt.                               | /                                                                |
| Du hör ett larm.                                         | Kylskåpsdörren är öppen.                          | Stäng dörren eller stäng av larmet manuellt.                     |
| Du kommer att höra ett svagt brummande.                  | Systemet mot kondensering fungerar.               | Detta förhindrar kondensering och är normalt.                    |
| Invändig belysning eller kylsystem fungerar inte.        | Nätkontakten är inte ansluten till eluttaget      | Anslut nätkontakten.                                             |
|                                                          | Strömförsörjningen är inte intakt.                | Kontrollera elförsörjningen i rummet. Ring det lokala elbolaget! |
|                                                          | LED-lampan är sönder.                             | Kontakta kundservice för byte av lampa.                          |
| Sidorna på skåpet och dörrlisten blir varma.             | Det här är normalt.                               | /                                                                |
| Det kommer inget vatten ut ur vattenpipen                | Låset är inte avaktiverat.                        | Avaktivera låset                                                 |



## Strömavbrott

- ▶ I händelse av ett strömavbrott bör maten förbli säkert kall i cirka 13 timmar. Följ dessa tips under längre strömavbrott, speciellt under sommaren.
- ▶ Öppna dörren/lådan så få gånger som möjligt.
- ▶ Sätt inte in mer mat i apparaten under strömavbrottet.
- ▶ Om ett strömavbrott meddelas i förväg och avbrottet är längre än 13 timmar, gör lite isbitar och lägg dem i en behållare högst upp i kyldelen.
- ▶ En inspektion av livsmedlen krävs omedelbart efter avbrottet.
- ▶ Eftersom temperaturen i kylskåpet stiger under ett strömavbrott, eller annat fel, minskar förvaringstiden och matens kvalitet. För att förhindra hälsorisker bör all mat som tinats upp antingen konsumeras eller tillagas och frysas igen omedelbart (om så är lämpligt).



### Uppmärksamma

#### Minnesfunktion vid strömavbrott

När strömmen återställs fortsätter apparaten med de inställningar som gjordes innan strömavbrottet.

För att kontakta teknisk assistans, besök vår webbplats:  
<https://corporate.haier-europe.com/en/>

Under avsnittet "Webbplats" väljer du produktens märke och ditt land. Du kommer att omdirigeras till den specifika webbplatsen där du hittar telefonnummer och andra sätt för att kontakta teknisk assistans.

## Uppackning



### VARNING!

- ▶ Apparaten är tung. Var alltid minst två personer vid hantering av apparaten.
- ▶ Förvara allt förpackningsmaterial utom räckhåll för barn och kassera det på ett miljövänligt sätt.
- ▶ Ta ut apparaten ur förpackningen.
- ▶ Avlägsna allt förpackningsmaterial.

## Miljöförhållanden

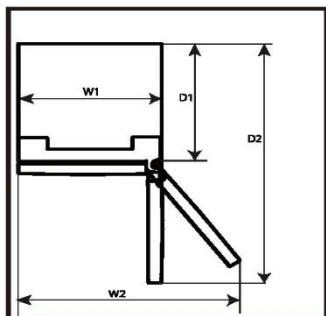
Rumstemperaturen bör alltid ligga mellan 10 °C och 43 °C, eftersom den kan påverka temperaturen i apparaten och dess energiförbrukning. Apparaten ska inte installeras nära andra värmeavgivande apparater (ugnar, kylskåp) utan isolering.

## Öppningsriktningar för dörren

Innan apparaten installeras permanent ska du kontrollera att dörrgångjärnet är korrekt placerat. Vi behövs, se avsnittet ÖPPNINGSDIAGRAM FÖR DÖRREN

## Utrymme som krävs

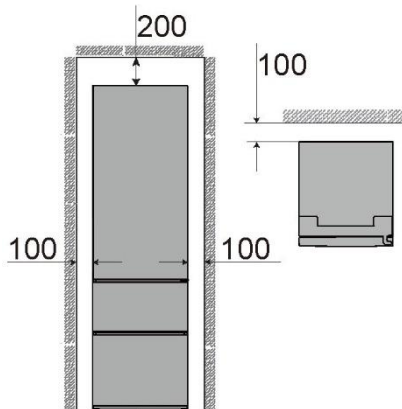
Nödvändigt utrymme när dörren öppnas:



| Apparatens bredd i mm |     | Apparatens djup i mm |       |
|-----------------------|-----|----------------------|-------|
| B1                    | B2  | D1                   | D2    |
| 595                   | 918 | 600                  | 1 220 |

## Ventilationstvärsnitt

För att uppnå tillräcklig ventilation av apparaten av säkerhetsskäl måste informationen om nödvändiga ventilationstvärsnitt följas.



## Öppningsriktningar för dörren

Innan du ansluter apparaten till elnätet bör du kontrollera om dörrsvängningen måste ändras från höger (vid leverans) till vänster, om detta krävs av installationsplatsen och användbarheten.



### **VARNING!**

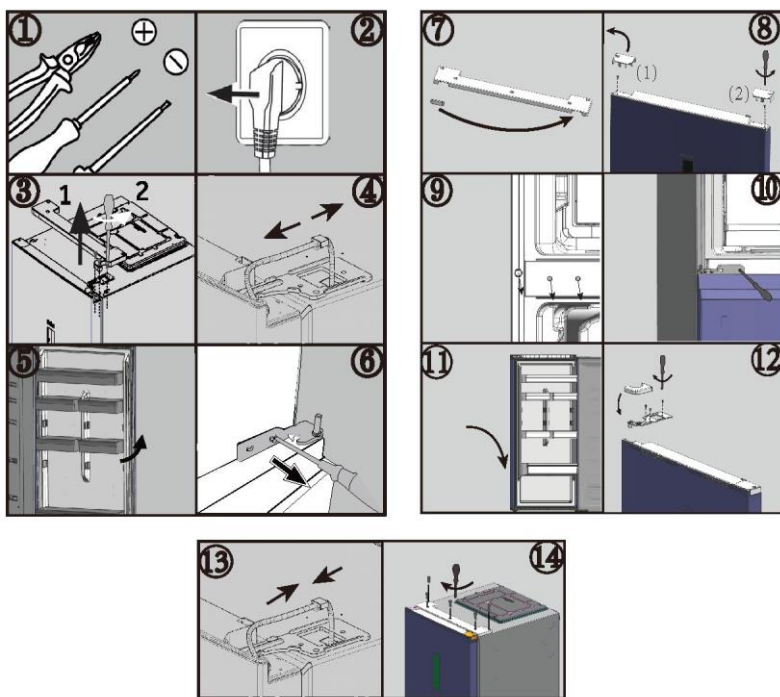
- ▶ Apparaten är tung. Det behöver två personer för att vända dörren.
- ▶ Innan du börjar använda apparaten ska du först dra ur kontakten från elnätet
- ▶ Luta inte apparaten mer än 45 ° för att undvika att kylsystemet skadas.

SV

## Monteringssteg

1. Använd/tillhandahåll nödvändigt verktyg.
2. Koppla ur apparaten.
3. Ta bort den övre gångjärnskåpan (1) och skruva loss det övre gångjärnet (tre skruvar) på höger sida (2).
4. Koppla ur anslutningskabeln
5. Lyft försiktigt bort den lösa kylskåpsdörren från det nedre gångjärnet.
6. Ta bort det nedre gångjärnet på den övre dörren
7. Ta bort det lilla skyddet på frontpanelen från vänster till höger sida.
8. Vänd dörren upp och ner och skruva loss skyddet (1). Ta ut det nya skyddet (2) från tillbehörspåsen och skruva fast den på motsatt sida.
9. Ändra placeringen av blindpluggarna och skruven på sidan.
10. Skruva fast det nedre gångjärnet på apparatens vänstra sida.
11. Lyft försiktigt den övre dörren på det nedre gångjärnet. Och se till att pivoten passar in i gångjärnsfästet på den nedre dörren.
12. Ta ut det nya övre gångjärnet och gångjärnskåpan från tillbehörspåsen. För anslutningskabeln genom det övre gångjärnet och fäst det övre gångjärnet med tre skruvar på apparatens vänstra sida. Sätt sedan gångjärnskåpan över gångjärnet.
13. Anslut anslutningskabeln.
14. Sätt tillbaka frontpanelen och fäst den med fem skruvar.

Efter bytet av dörren kontrollera att dörrtätningarna sitter ordentligt på höljet och att alla skruvar är ordentligt åtdragna.



## Omgivningstemperaturer

Utökad tempererad: denna kylapparat är avsedd att användas vid omgivningstemperaturer från 10 °C till 32 °C;

Tempererad: denna kylapparat är avsedd att användas vid omgivningstemperaturer från 16 °C till 32 °C;

Subtropisk: denna kylapparat är avsedd att användas vid omgivningstemperaturer från 16 °C till 38 °C;

Tropisk: denna kylapparat är avsedd att användas vid omgivningstemperaturer från 16 °C till 43 °C.

**Produktblad enligt förordning EU nr 2019/2016**

Baserat på standardtestresultat för 24 timmar. Den faktiska energiförbrukningen beror på hur apparaten används och var den är placerad

| Varumärke                                                                                            | Haier             | Haier             | Haier             |
|------------------------------------------------------------------------------------------------------|-------------------|-------------------|-------------------|
| Modellidentifierare                                                                                  | HTW5618DN*        | HTW5620DN*        | HTW5618DW*        |
| Kategori                                                                                             | Kyl- och frysskåp | Kyl- och frysskåp | Kyl- och frysskåp |
| Energieffektivitetsklass                                                                             | D                 | D                 | D                 |
| Årlig energiförbrukning (kWh/år)                                                                     | 217               | 226               | 216               |
| Volym kylskåp(l)                                                                                     | 201               | 255               | 198               |
| Volym frysdell(l)                                                                                    | 125               | 125               | 125               |
| Volym My Zone(l)                                                                                     | 34                | 34                | 34                |
| stjärnklassificering                                                                                 | 4                 | 4                 | 4                 |
| Frostfritt system                                                                                    | Ja                | Ja                | Ja                |
| Säkerhet vid strömbrott(h)/<br>Tid för temperaturhöjning(h)                                          | 13                | 13                | 13                |
| Fryskapacitet(kg/24h)                                                                                | 10                | 10                | 10                |
| Klimatklass<br>Apparaten är avsedd att användas vid en omgivningstemperatur mellan +10 °C och +43 °C | SN/N/ST/T         | SN/N/ST/T         | SN/N/ST/T         |
| Bulleremissionsklass och luftburet akustiskt buller (dB(A) re 1 pW)                                  | 35                | 35                | 35                |

| Varumärke                                                                                                     | Haier             | Haier             |
|---------------------------------------------------------------------------------------------------------------|-------------------|-------------------|
| Modellidentifikatorer                                                                                         | HTW5618CN*        | HTW5620CN*        |
| Kategori                                                                                                      | Kyl- och frysskåp | Kyl- och frysskåp |
| Energieffektivitetsklass                                                                                      | C                 | C                 |
| Årlig energiförbrukning (kWh/år)                                                                              | 173               | 181               |
| Volym kylskåp(l)                                                                                              | 201               | 255               |
| Volym frysdell(l)                                                                                             | 125               | 125               |
| Volym My Zone(l)                                                                                              | 34                | 34                |
| stjärnklassificering                                                                                          | 4                 | 4                 |
| Frostfritt system                                                                                             | Ja                | Ja                |
| Säkerhet vid strömavbrott(h)/<br>Tid för temperaturhöjning(h)                                                 | 13                | 13                |
| Fryskapacitet(kg/24h)                                                                                         | 10                | 10                |
| Klimatklass<br>Apparaten är avsedd<br>att användas vid<br>en omgivningstemperatur<br>mellan +10 °C och +43 °C | SN/N/ST/T         | SN/N/ST/T         |
| Bulleremissionsklass och<br>luftburet akustiskt buller<br>(dB(A) re 1 pW)                                     | 35                | 35                |

## Produktblad enligt förordning EU nr 2019/2016

Baserat på standardtestresultat för 24 timmar. Den faktiska energiförbrukningen beror på hur apparaten används och var den är placerad

| Varumärke                                                                                            | Haier             | Haier             | Haier             |
|------------------------------------------------------------------------------------------------------|-------------------|-------------------|-------------------|
| Modellidentifikator                                                                                  | HDPW5618DN*       | HDPW5620DN*       | HDPW5618DW*       |
| Kategori                                                                                             | Kyl- och frysskåp | Kyl- och frysskåp | Kyl- och frysskåp |
| Energieffektivitetsklass                                                                             | D                 | D                 | D                 |
| Årlig energiförbrukning (KWh/år)                                                                     | 214               | 220               | 214               |
| Volym kylskåp(l)                                                                                     | 201               | 255               | 198               |
| Volym frysdell(l)                                                                                    | 117               | 117               | 117               |
| Volym My Zone(l)                                                                                     | 34                | 34                | 34                |
| stjärnklassificering                                                                                 | 4                 | 4                 | 4                 |
| Frostfritt system                                                                                    | Ja                | Ja                | Ja                |
| Säkerhet vid strömavbrott(h)/<br>Tid för temperaturhöjning(h)                                        | 13                | 13                | 13                |
| Fryskapacitet(kg/24h)                                                                                | 10                | 10                | 10                |
| Klimatklass<br>Apparaten är avsedd att användas vid en omgivningstemperatur mellan +10 °C och +43 °C | SN/N/ST/T         | SN/N/ST/T         | SN/N/ST/T         |
| Bulleremissionsklass och luftburet akustiskt buller (dB(A) re 1 pW)                                  | 35                | 35                | 35                |

| Varumärke                                                                                            | Haier             | Haier             | Haier             |
|------------------------------------------------------------------------------------------------------|-------------------|-------------------|-------------------|
| Modellidentifikator                                                                                  | HDPW5618CN*       | HDPW5620CN*       | HDPW5620AN*       |
| Kategori                                                                                             | Kyl- och frysskåp | Kyl- och frysskåp | Kyl- och frysskåp |
| Energieffektivitetsklass                                                                             | C                 | C                 | A                 |
| Årlig energiförbrukning (KWh/år)                                                                     | 171               | 176               | 114               |
| Volym kylskåp(l)                                                                                     | 201               | 255               | 255               |
| Volym frysdell(l)                                                                                    | 117               | 117               | 120               |
| Volym My Zone(l)                                                                                     | 34                | 34                | 34                |
| stjärnklassificering                                                                                 | 4                 | 4                 | 4                 |
| Frostfritt system                                                                                    | Ja                | Ja                | Ja                |
| Säkerhet vid strömavbrott(h)/<br>Tid för temperaturhöjning(h)                                        | 13                | 13                | 16                |
| Fryskapacitet(kg/24h)                                                                                | 10                | 10                | 10                |
| Klimatklass<br>Apparaten är avsedd att användas vid en omgivningstemperatur mellan +10 °C och +43 °C | SN/N/ST/T         | SN/N/ST/T         | SN/N/ST/T         |
| Bulleremissionsklass och luftburet akustiskt buller (dB(A) re 1 pW)                                  | 35                | 35                | 35                |



## Ytterligare tekniska uppgifter

| Modell-identifikatorer | HTW5618D*                           | HTW5620DN*    | HTW5618CN*    | HTW5620CN*    |
|------------------------|-------------------------------------|---------------|---------------|---------------|
| Total volym(l)         | 360<br>(357 för<br>HTW5618DWMG(UK)) | 414           | 360           | 414           |
| Spänning/<br>frekvens  | 220-240V/50Hz                       | 220-240V/50Hz | 220-240V/50Hz | 220-240V/50Hz |
| ingångsström(A)        | 1,4A                                | 1,4A          | 1,4A          | 1,4A          |
| Huvudsäkring(A)        | 16A                                 | 16A           | 15A           | 15A           |
| Kylvätska/mängd        | R600a/53 g                          | R600a/53 g    | R600a/50 g    | R600a/50 g    |
| Mått (B/D/H i mm)      | 595*667*1 850                       | 595*667*2 050 | 595*667*1 850 | 595*667*2 050 |

| Modell-identifikatorer | HDPW5618D*    | HDPW5618DW*   | HDPW5620DN*   |
|------------------------|---------------|---------------|---------------|
| Total volym(l)         | 352           | 349           | 406           |
| Spänning/<br>frekvens  | 220-240/50Hz  | 220-240/50Hz  | 220-240/50Hz  |
| ingångsström(A)        | 1,4A          | 1,4A          | 1,4A          |
| Huvudsäkring(A)        | 16A           | 16A           | 16A           |
| Kylvätska/mängd        | R600a/53 g    | R600a/53 g    | R600a/53 g    |
| Mått<br>(B/D/H i mm)   | 595*667*1 850 | 595*667*1 850 | 595*667*2 050 |

| Modell-identifikator  | HDPW5618CN*   | HDPW5620CN*   | HDPW5620AN*   |
|-----------------------|---------------|---------------|---------------|
| Total volym(l)        | 352           | 406           | 409           |
| Spänning/<br>frekvens | 220-240/50Hz  | 220-240/50Hz  | 220-240/50Hz  |
| ingångsström(A)       | 1,4A          | 1,4A          | 1,4A          |
| Huvudsäkring(A)       | 15A           | 15A           | 15A           |
| Kylvätska/mängd       | R600a/50 g    | R600a/50 g    | R600a/50 g    |
| Mått (B/D/H i mm)     | 595*667*1 850 | 595*667*2 050 | 595*667*2 050 |

### Standarder och direktiv

Denna produkt uppfyller kraven i alla tillämpliga EG-direktiv med motsvarande harmoniserade standarder som tillhandahåller CE-märkning.

Vi rekommenderar vår Haier-kundtjänst och användning av originalreservdelar. Om du har problem med din apparat, kontrollera först avsnittet FELSÖKNING.

Om du inte hittar en lösning där kontakta

- ▶ din lokala återförsäljare eller
- ▶ vårt European Call Service-Center (se angivna telefonnummer nedan) eller
- ▶ Service & Support-området på [www.haier.com](http://www.haier.com) där du kan aktivera
- ▶ serviceanspråket och hitta vanliga frågor och svar.

Om du vill kontakta vår tjänst ska du se till att du har följande uppgifter tillgängliga. Informationen finns på tynskylten.

Modell \_\_\_\_\_

Serienummer. \_\_\_\_\_

Kontrollera även det garantikort som medföljer produkten i händelse av garanti.

| European Call Service-Center |                 |                                                                                                                       |
|------------------------------|-----------------|-----------------------------------------------------------------------------------------------------------------------|
| Land*                        | Telefonnummer   | Pris                                                                                                                  |
| Haier Italy (IT)             | 199 100 912     |                                                                                                                       |
| Haier Spain (ES)             | 902 509 123     |                                                                                                                       |
| Haier Germany (DE)           | 0180 5 39 39 99 | <ul style="list-style-type: none"> <li>• 14 Ct/min på fast linje</li> <li>• max 42 Ct/min på mobil linje</li> </ul>   |
| Haier Austria (AT)           | 0820 001 205    | <ul style="list-style-type: none"> <li>• 14,53 Ct/min på fast linje</li> <li>• max 20 Ct/min på alla andra</li> </ul> |
| Haier United Kingdom (UK)    | 0333 003 8122   |                                                                                                                       |
| Haier France (FR)            | 0980 406 409    |                                                                                                                       |

\* För andra länder, se [www.haier.com](http://www.haier.com)

Haier Europe Trading S.r.l

Filial i Storbritannien

Westgate House, Westgate, Ealing

London, W5 1YY

\*Garantins giltighetstid för apparaten:

Minsta garantiperiod är: 2 år för EU-länder, 3 år för Turkiet, 1 år för Storbritannien, 1 år för Ryssland, 3 år för Sverige, 2 år för Serbien, 5 år för Norge, 1 år för Marocko, 6 månader för Algeriet, ingen juridisk garanti krävs i Tunisien.

\*Perioden för reparation av apparatens reservdelar:

Termostater, temperaturgivare, kretskort och ljuskällor finns tillgängliga under minst sju år efter det att den sista enheten av samma modell har släppts på marknaden.

Dörrhandtag, dörrgångjärn, brickor och korgar under minst sju år och dörrpackningar under minst tio år efter att den sista enheten av samma modell har släppts på marknaden.

\*För mer information om produkten, se <https://eprel.ec.europa.eu/> eller skanna QR-koden på energimärkningen bifogad med apparaten.



# Haier

2023 Version A



0060534356