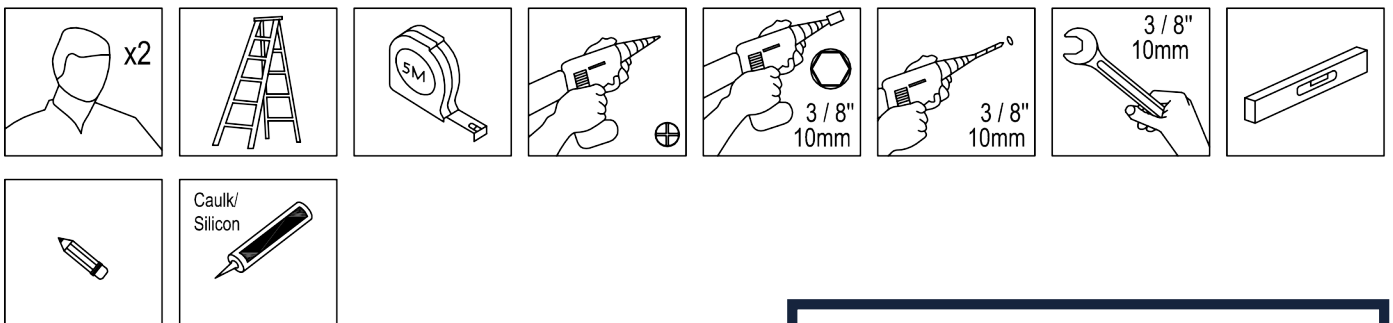
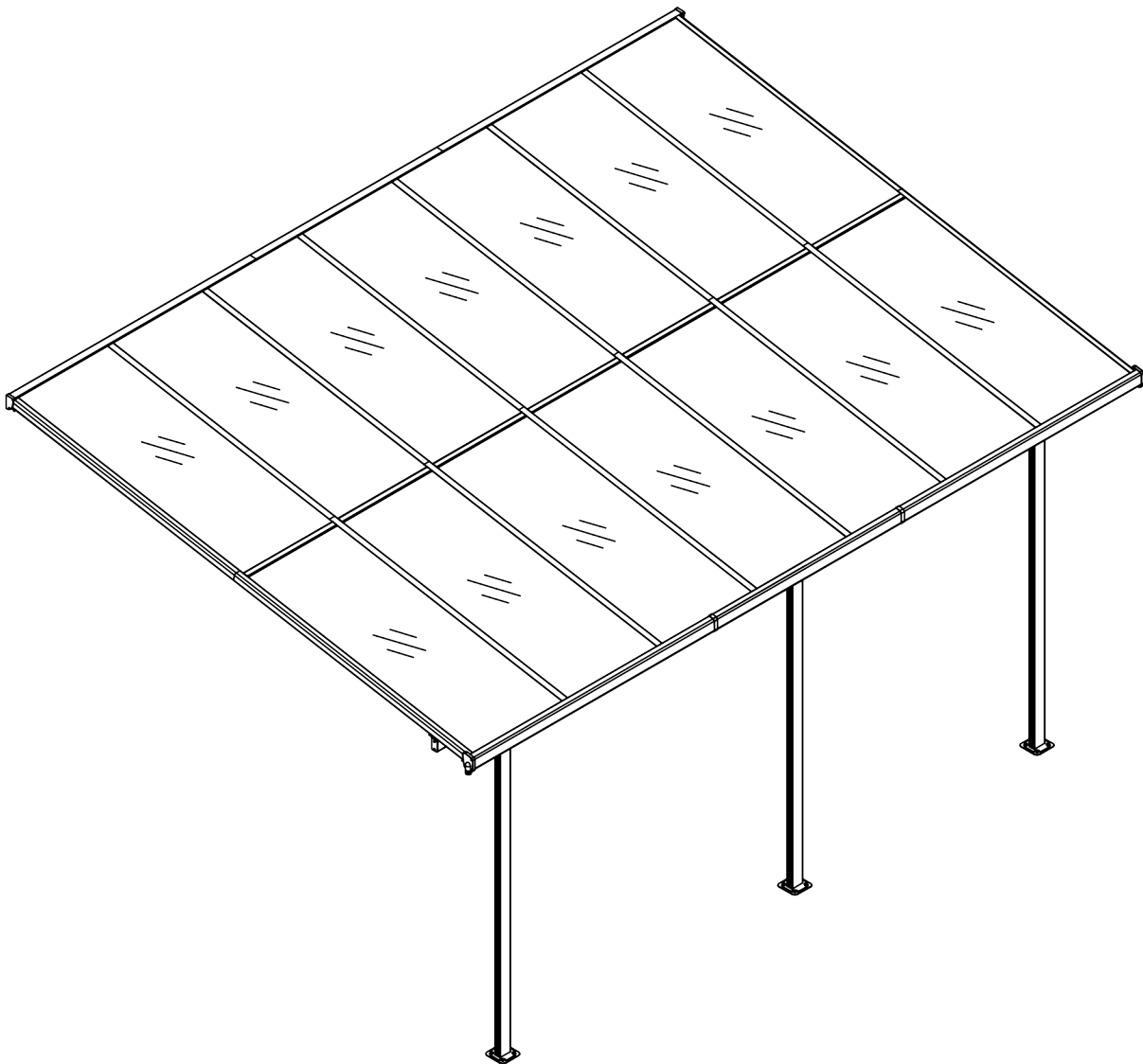




WESTMANN

MONTAGEANLEITUNG

Aluminium Terrassendach 300 x 435 cm

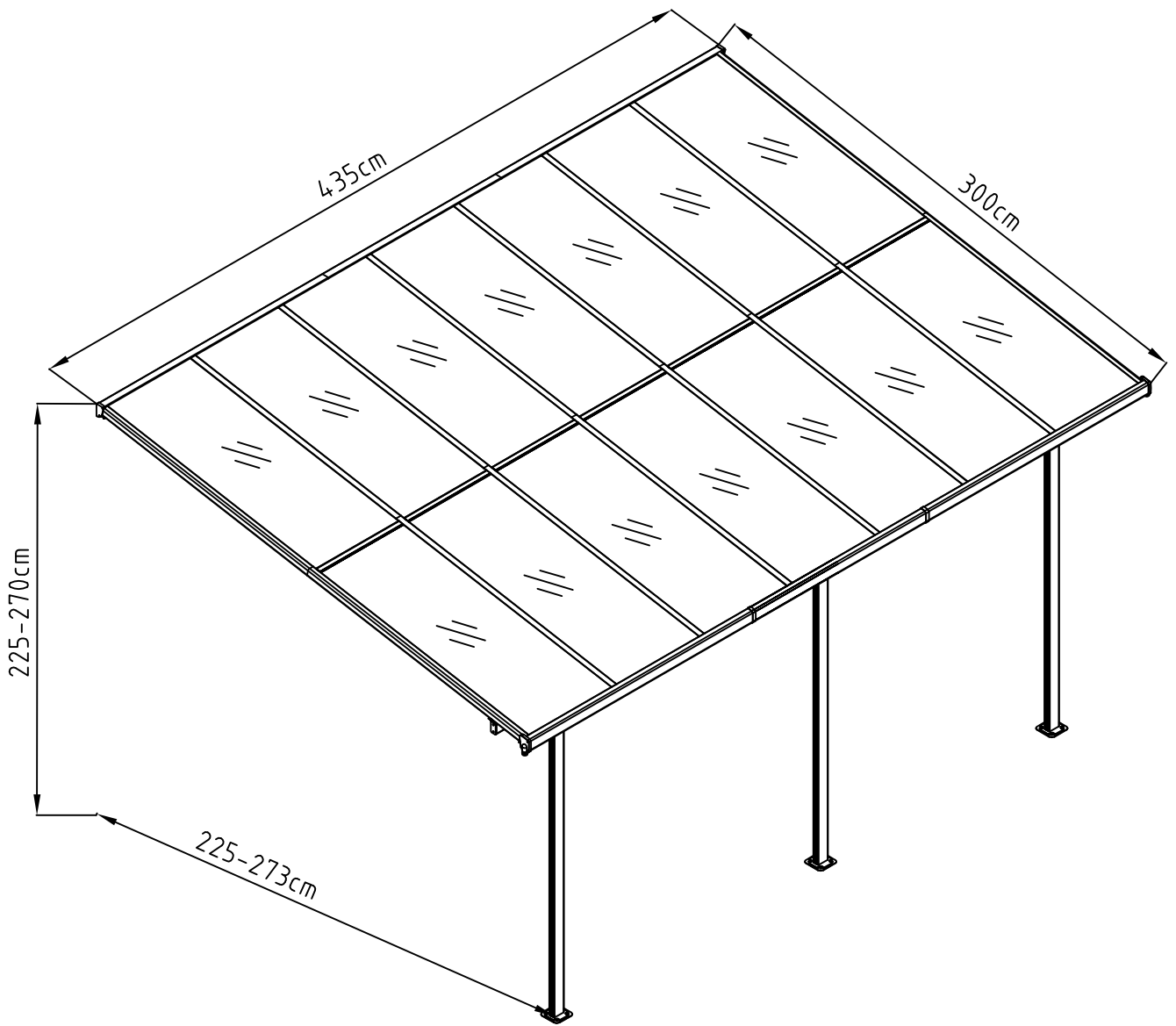


**BEI FRAGEN, KONTAKTIEREN SIE
UNSEREN KUNDENSERVICE:**

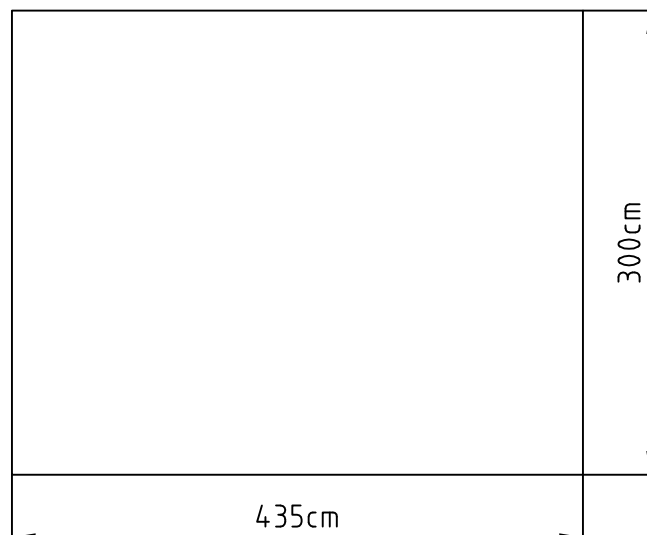
50NRTH GmbH
Straßburgstraße 14-16
D-54516 Wittlich















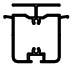



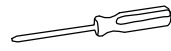





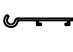











service@50NRTH.com
+49 (0) 6571 95117-0

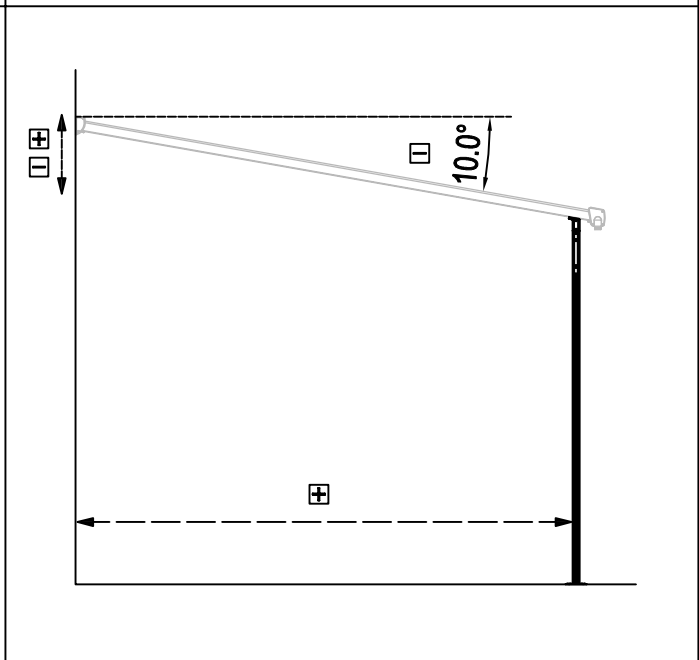
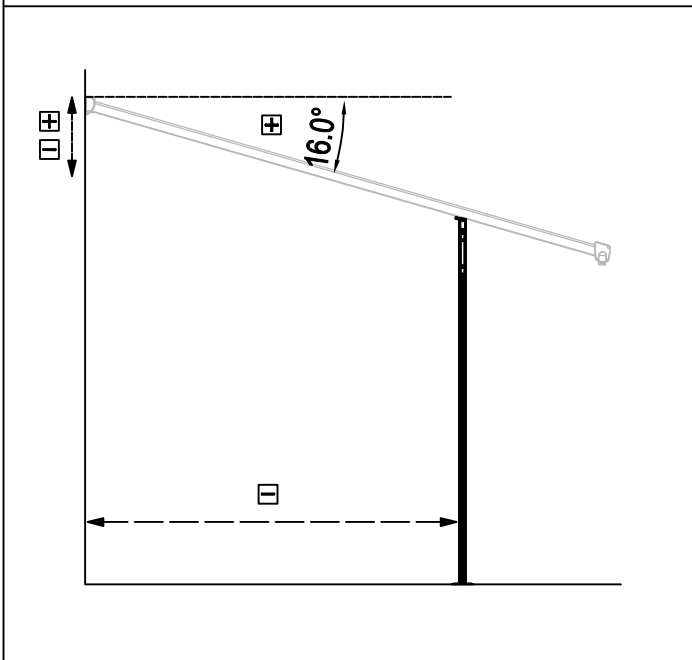
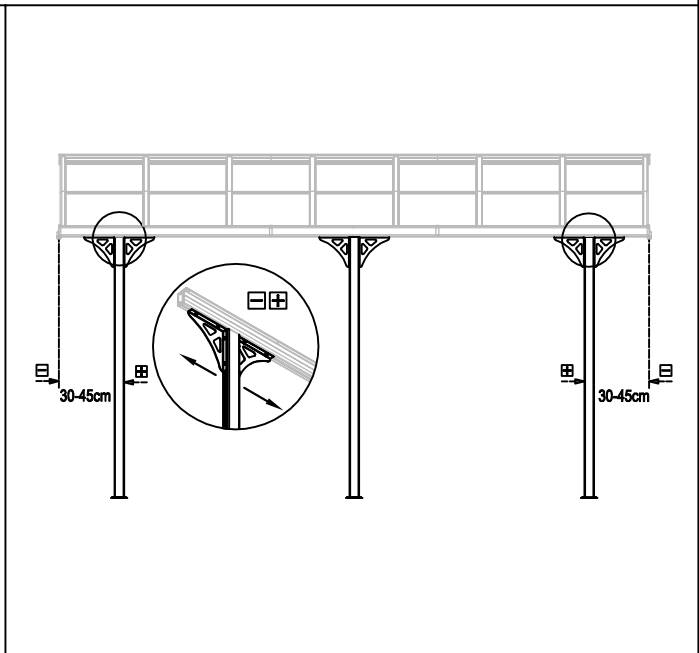
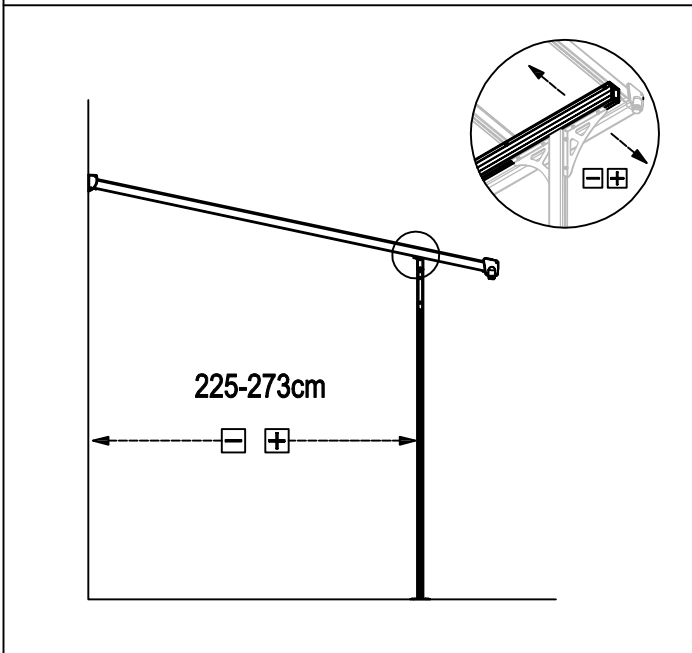
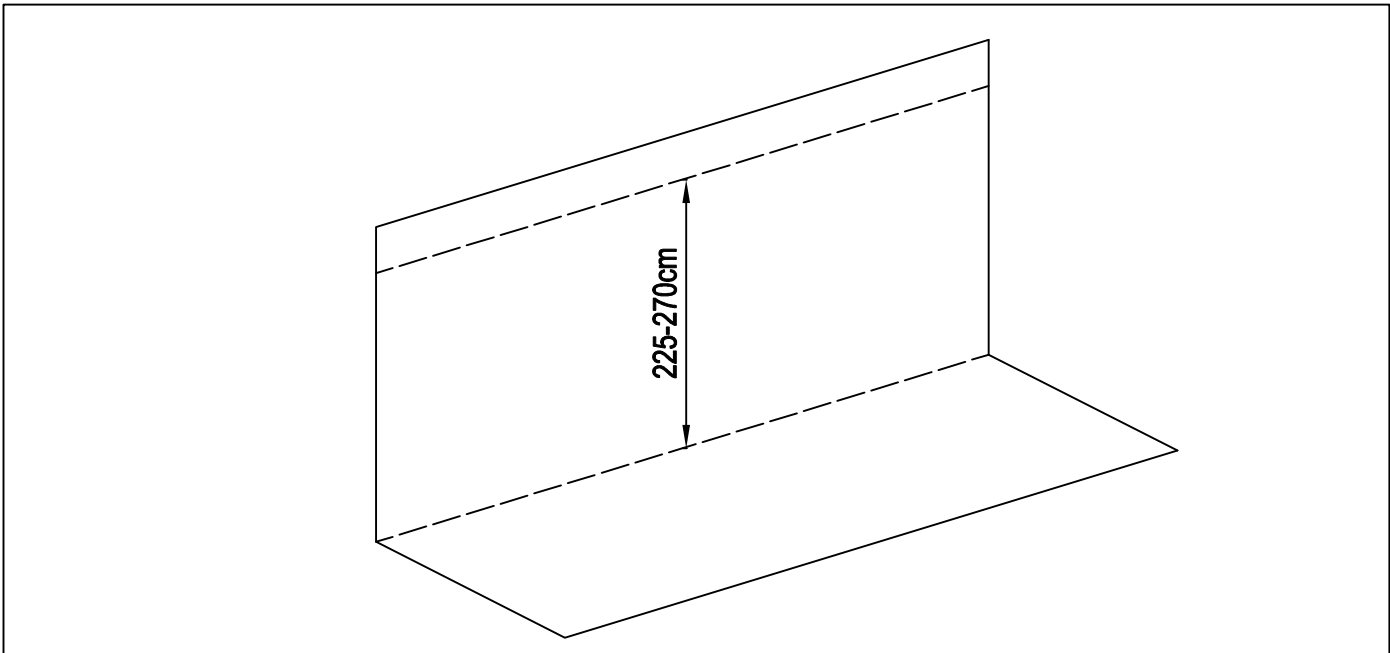
Aufstellmaß Terrassendach



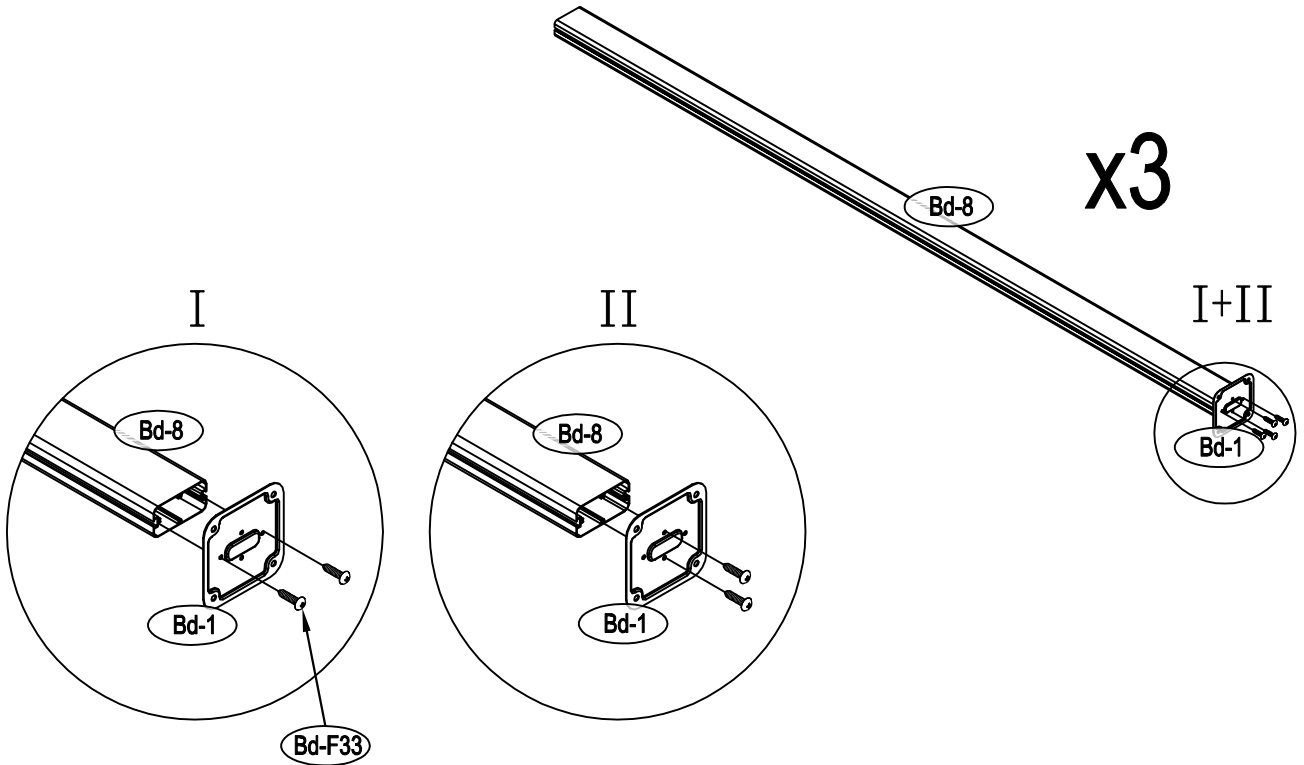
Fundament Aufstellmaß für den Geräteschrank






NO.	IMAGE	mm	QTY		NO.	IMAGE	mm	QTY
Bd-1		110	x3		Bd-F26		ST4x10	x8
Ba-2		200	x2		Bd-F27		M6x12	x60
Ba-3		100	x2		Bd-F28		M6	x60
Bd-4		210	x6		Bd-F29		ST4x19	x48
Bd-6		190	x2		Bd-F30		M6	x20
Bd-8		1900	x3		Bd-F31		M6	x20
Bd-12		300	x2		Bd-F32		ST5.5x40	x20
Bd-A19		1410	x6		Bd-F33		ST4x16	x38
Bd-A19b		1540	x6		Bd-F34		M6	x60
Bd-A20		1410	x2					x1
Bd-A20b		1540	x2				10-12mm	x1
Bd-21			x6					
Bd-A5		1540	x1					
Bd-A5a		1540	x1					
Bd-C5		1214	x1					
Bd-A12		1540	x1					
Bd-A12a		1540	x1					
Bd-C12		1216	x1					
Bd-A24		1540	x1					
Bd-A24a		1540	x1					
Bd-C24		1216	x1					
Bd-A25		1540	x1					
Bd-A25a		1540	x1					
Bd-C25		1216	x1					
Bd-19		300	x6					
Bd-20		300	x2					
Bd-14		573	x7					
Bd-A23		1480	x14					
Bd-P1L			x1					
Bd-P1R			x1					
Bd-P2L			x1					
Bd-P2R			x1					
Bd-P3L			x1					
Bd-P3R			x1					
Bd-P5			x2					

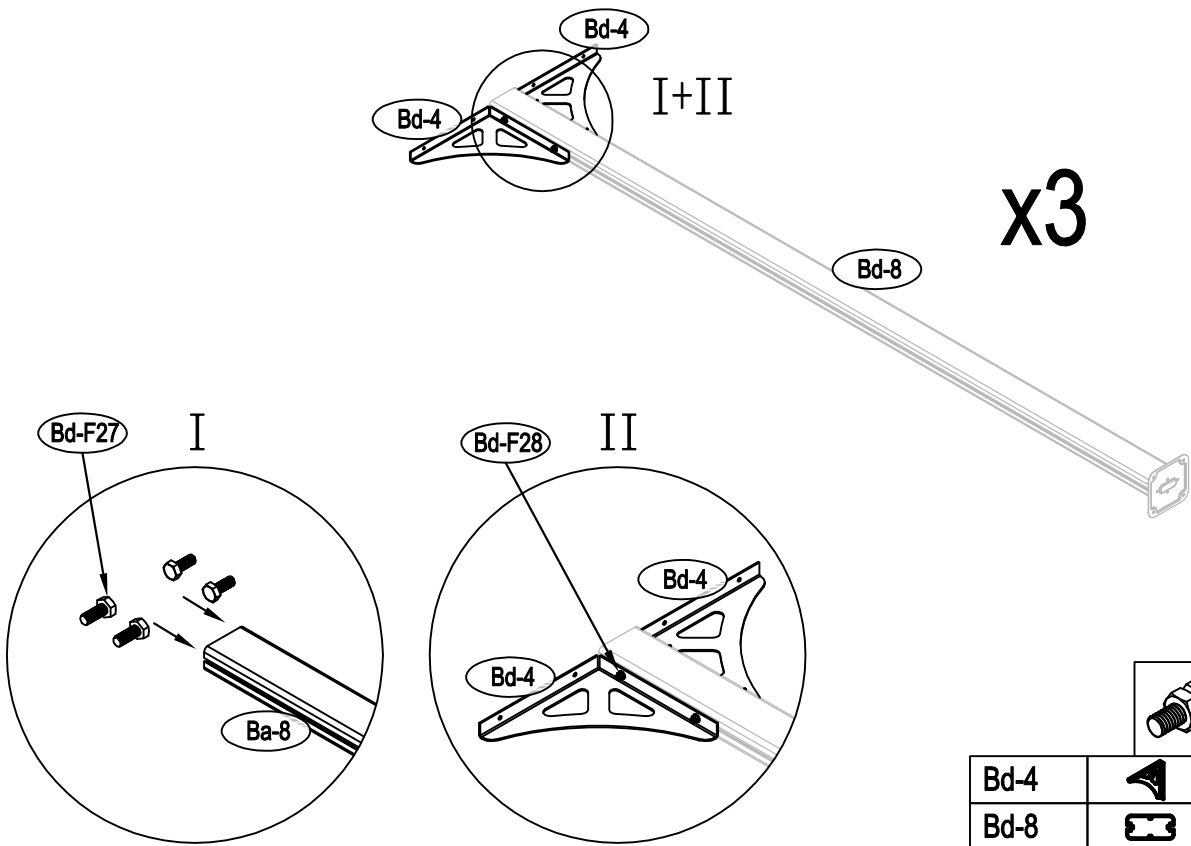








1



Bd-1		x3
Bd-8		x3
Bd-F33		x12

2

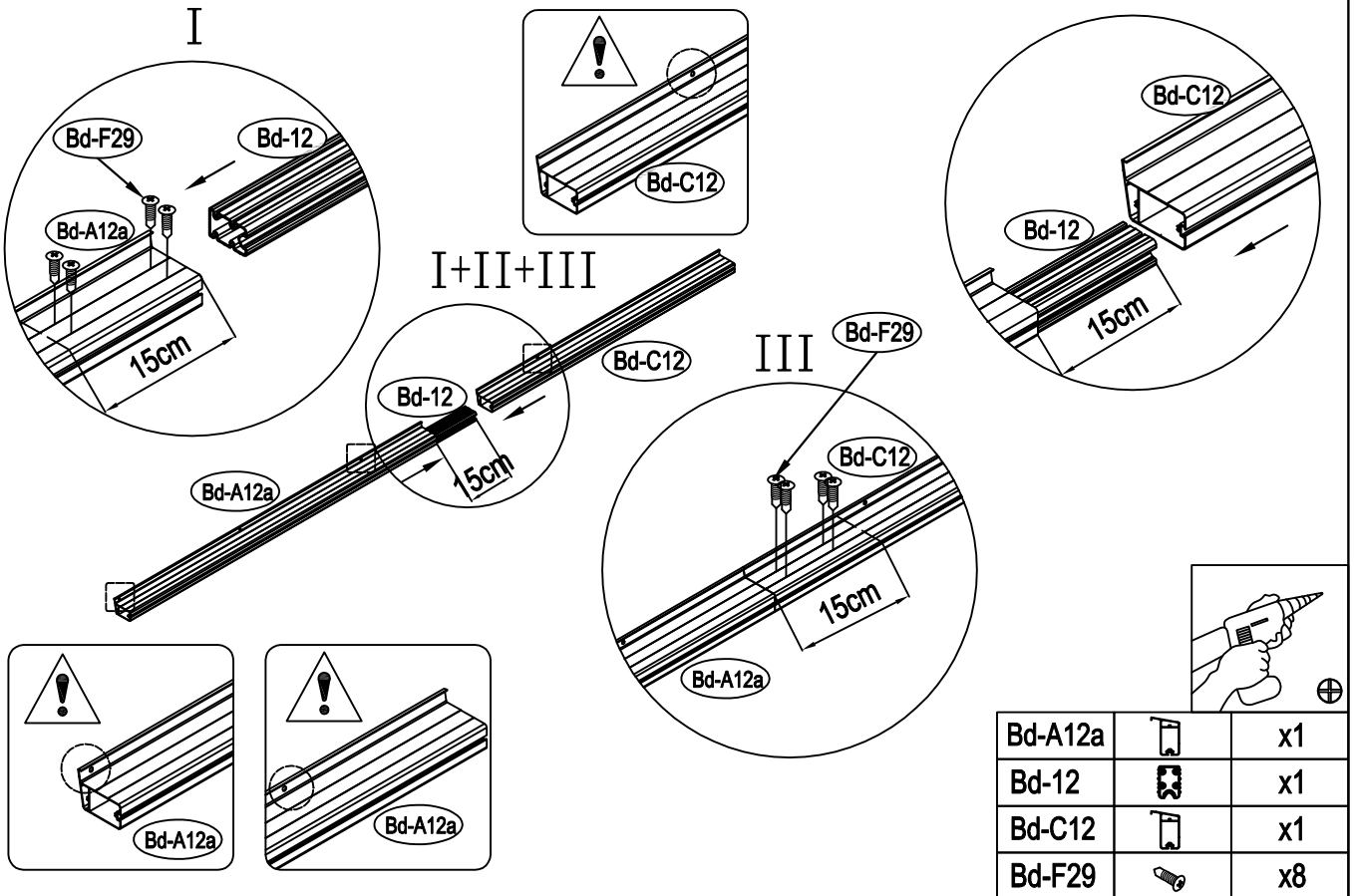


		
Bd-4		x6
Bd-8		x3
Bd-F27		x12
Bd-F28		x12

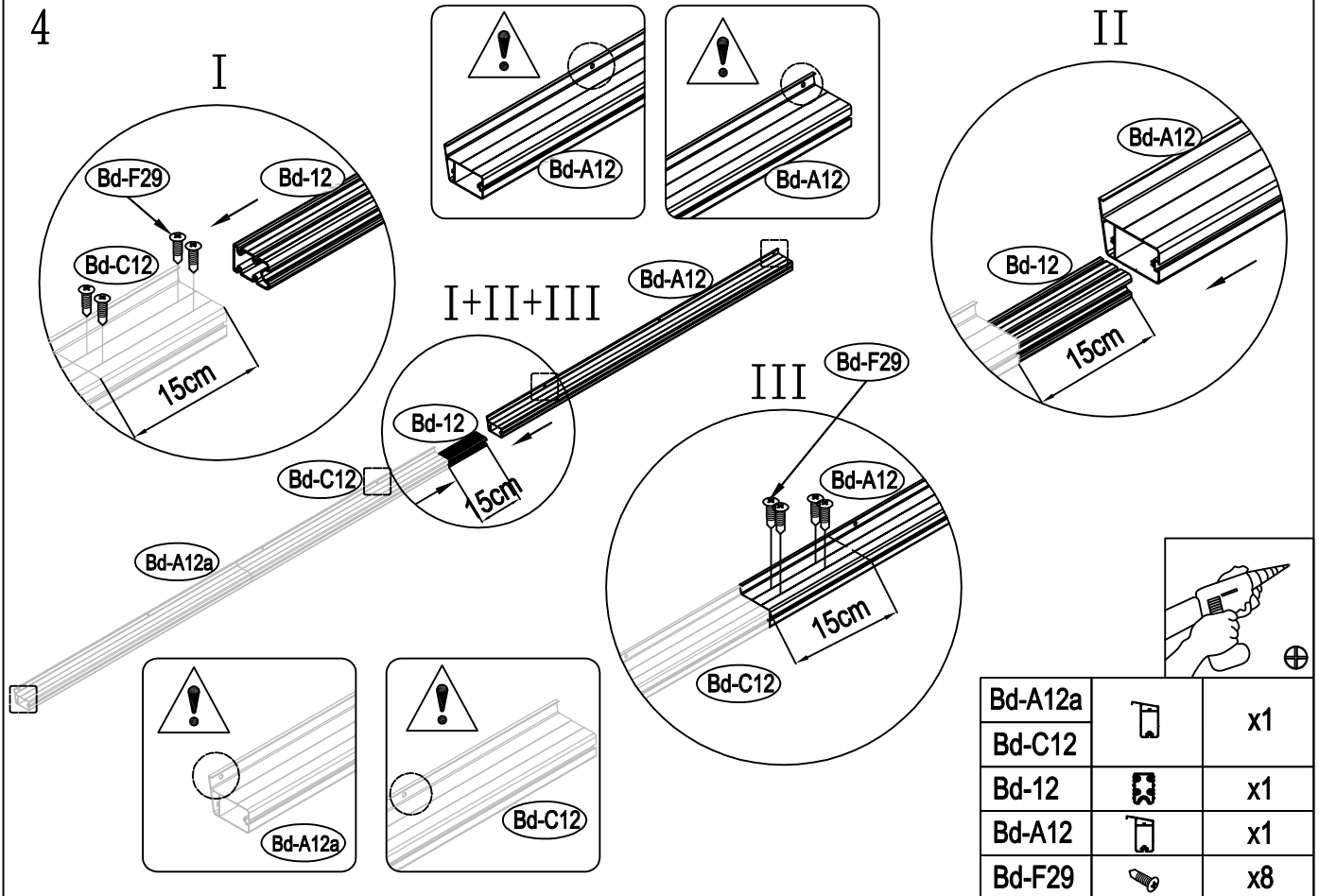
1



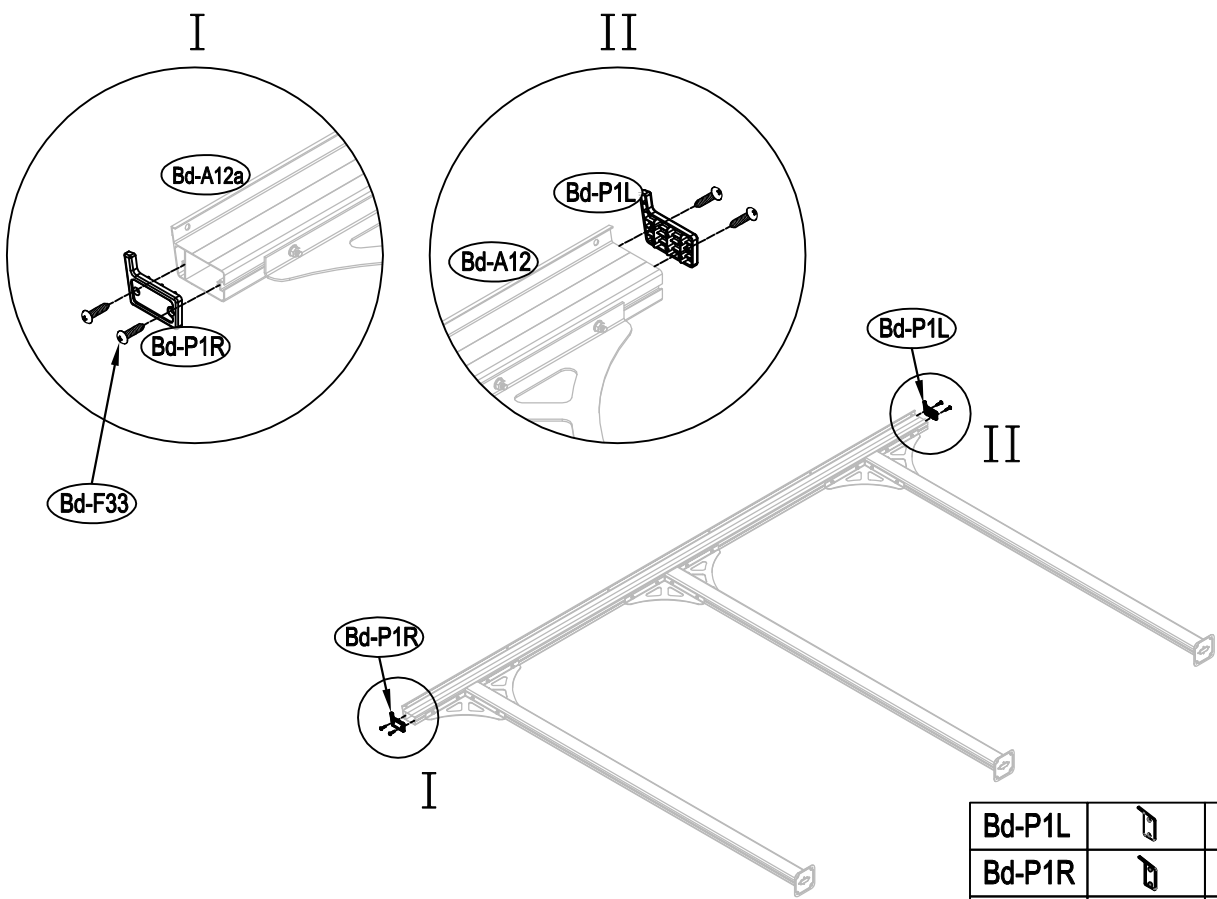
3



4

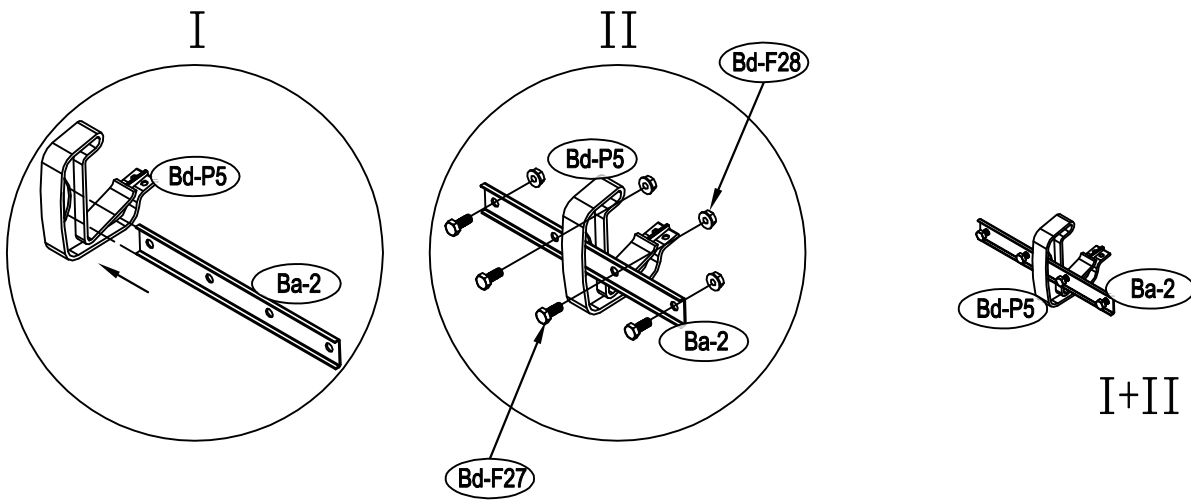


7



Bd-P1L		x1
Bd-P1R		x1
Bd-F33		x4

8

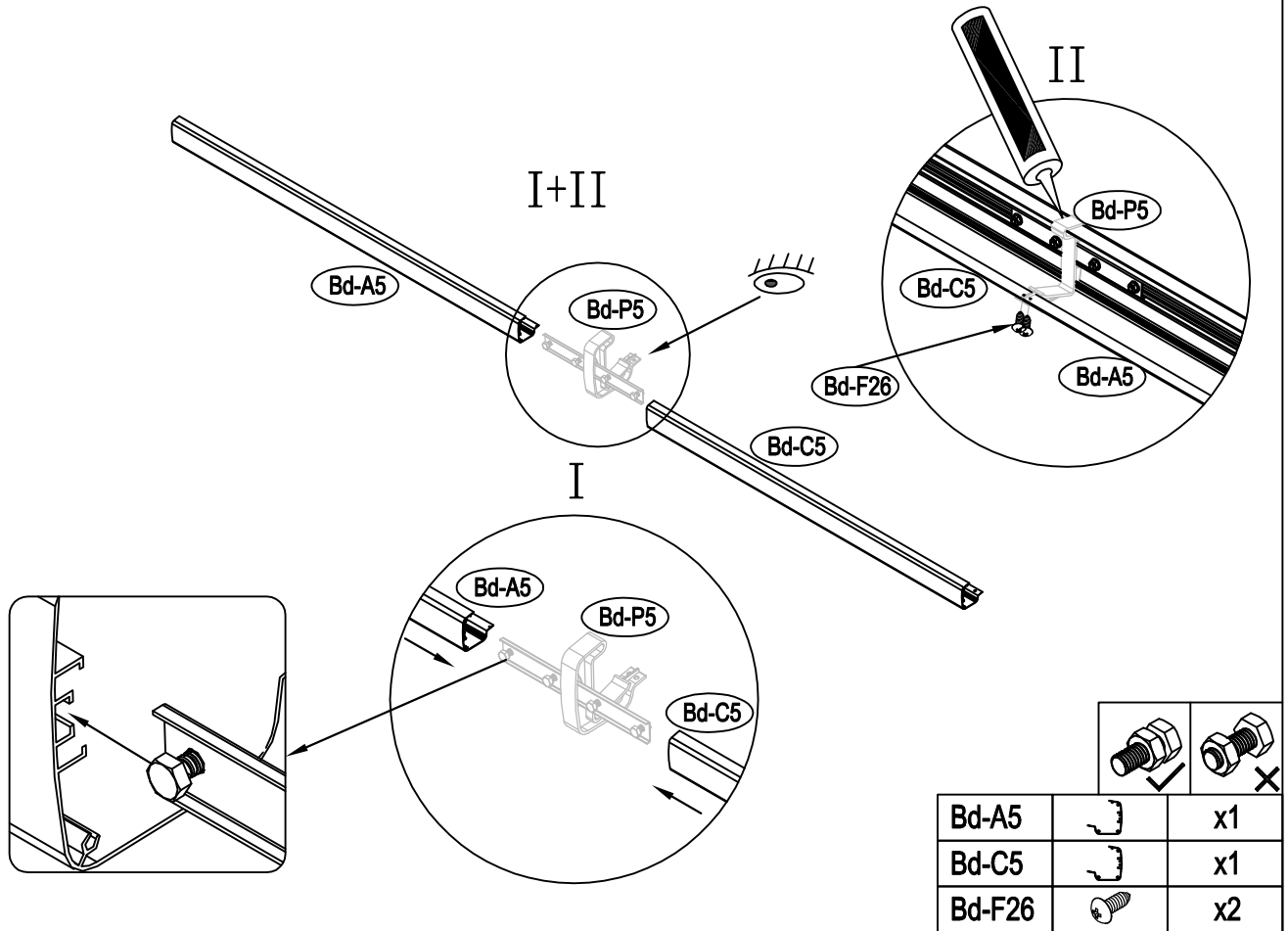


x2

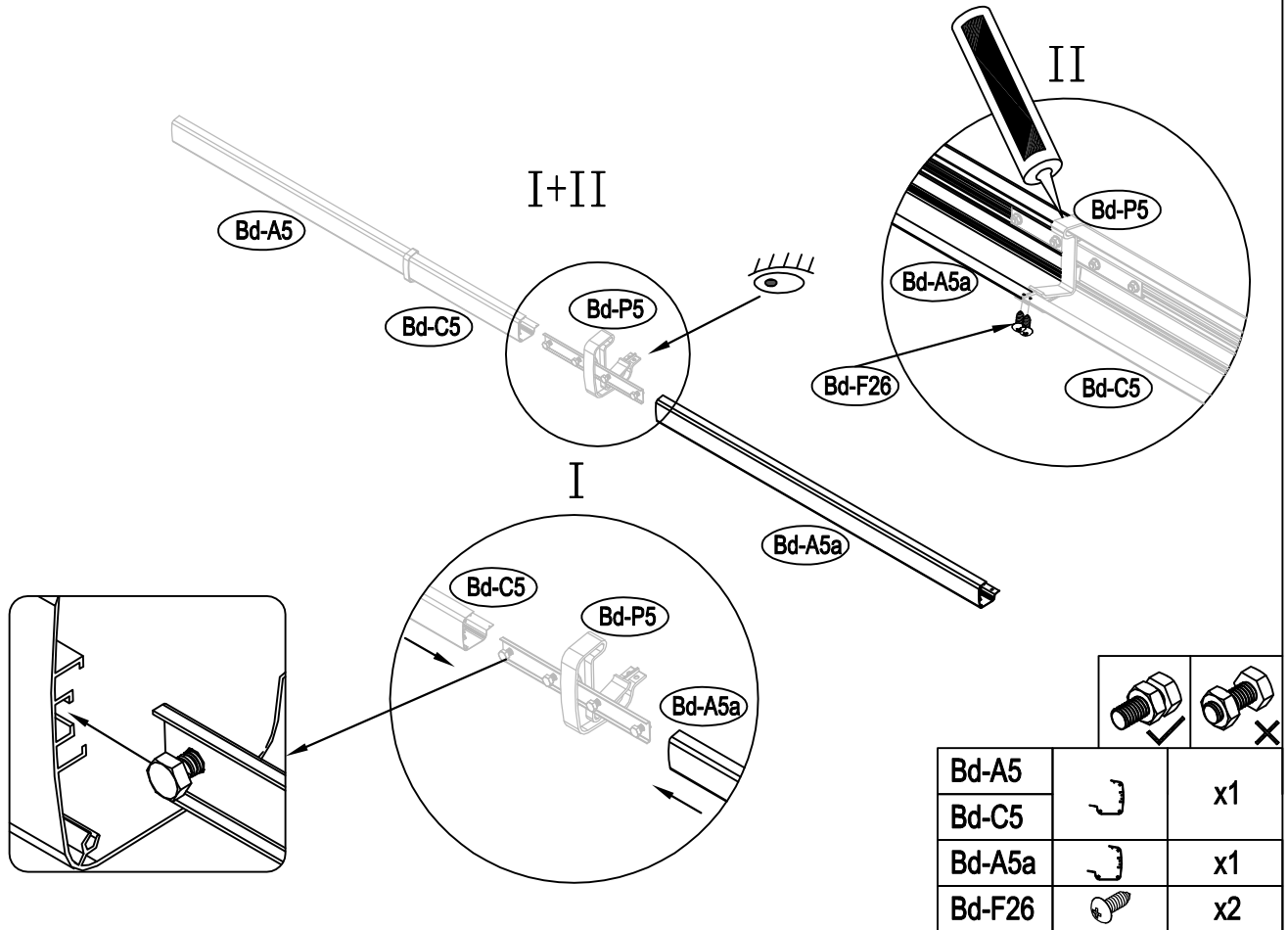
Ba-2		x2
Bd-P5		x2
Bd-F27		x8
Bd-F28		x8



9

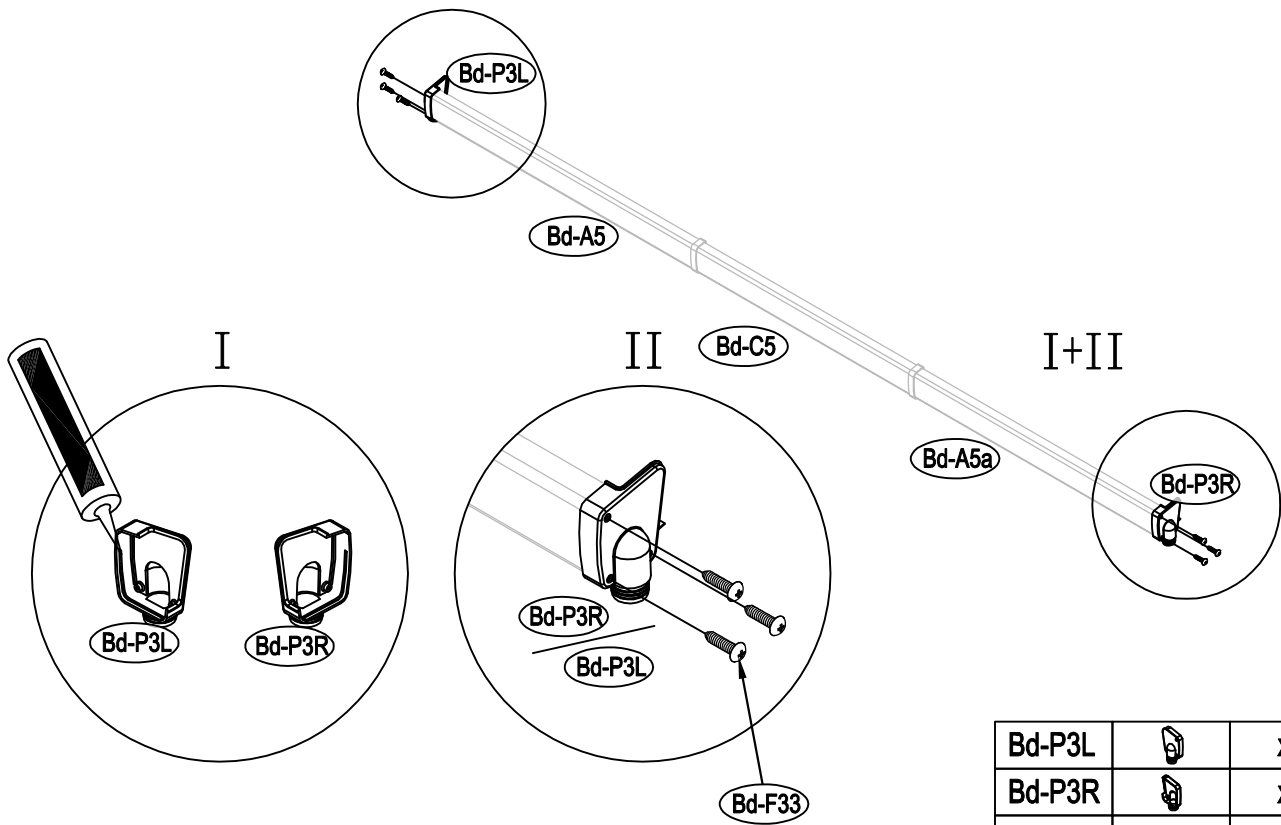


10



11

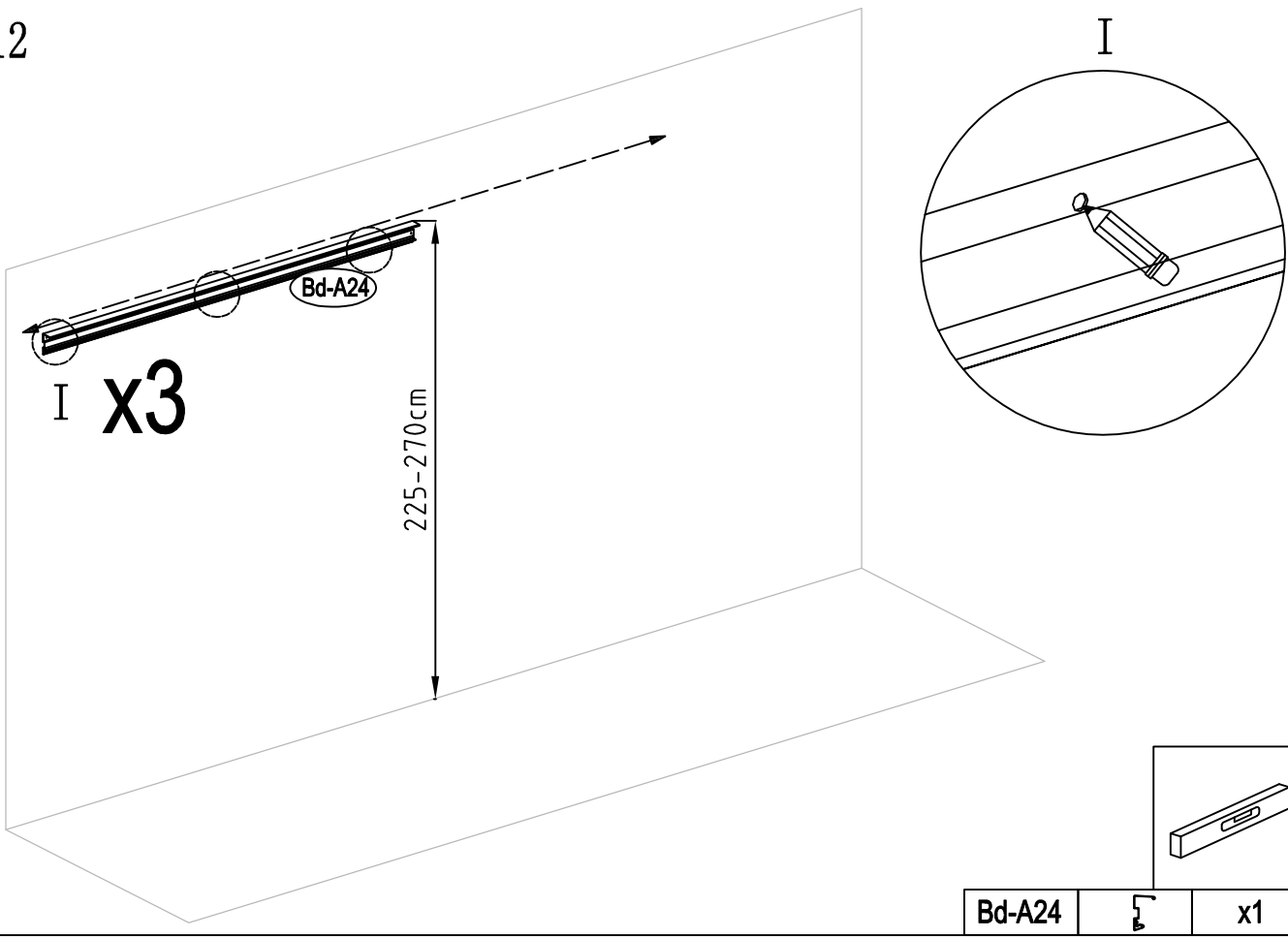
I+II



Bd-P3L		x1
Bd-P3R		x1
Bd-F33		x6

12

I



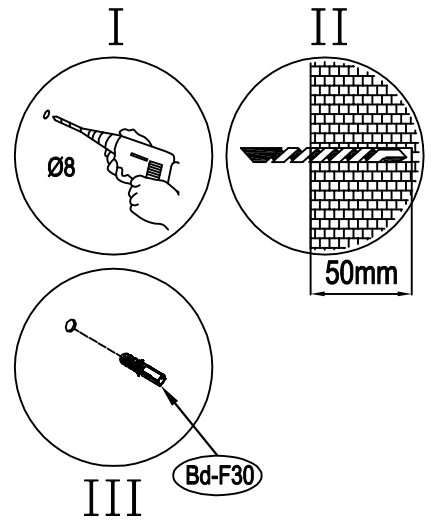
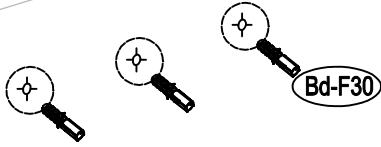
Bd-A24		x1
--------	--	----

6



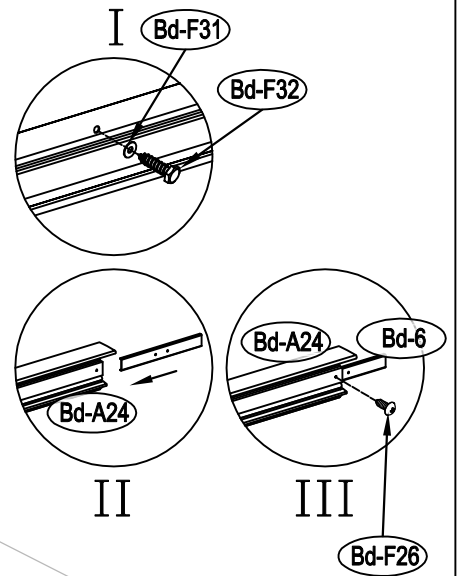
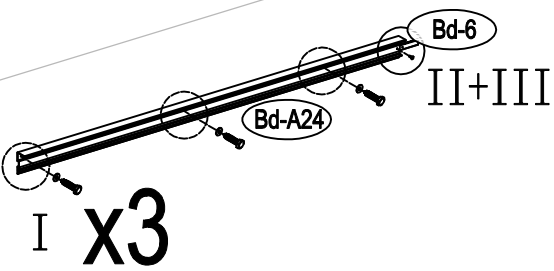
13


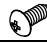
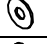

I+II+III x3



Bd-F30		x3
--------	---------------------------------------------------------------------------------------	----

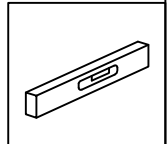
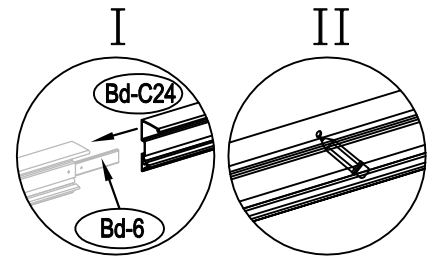
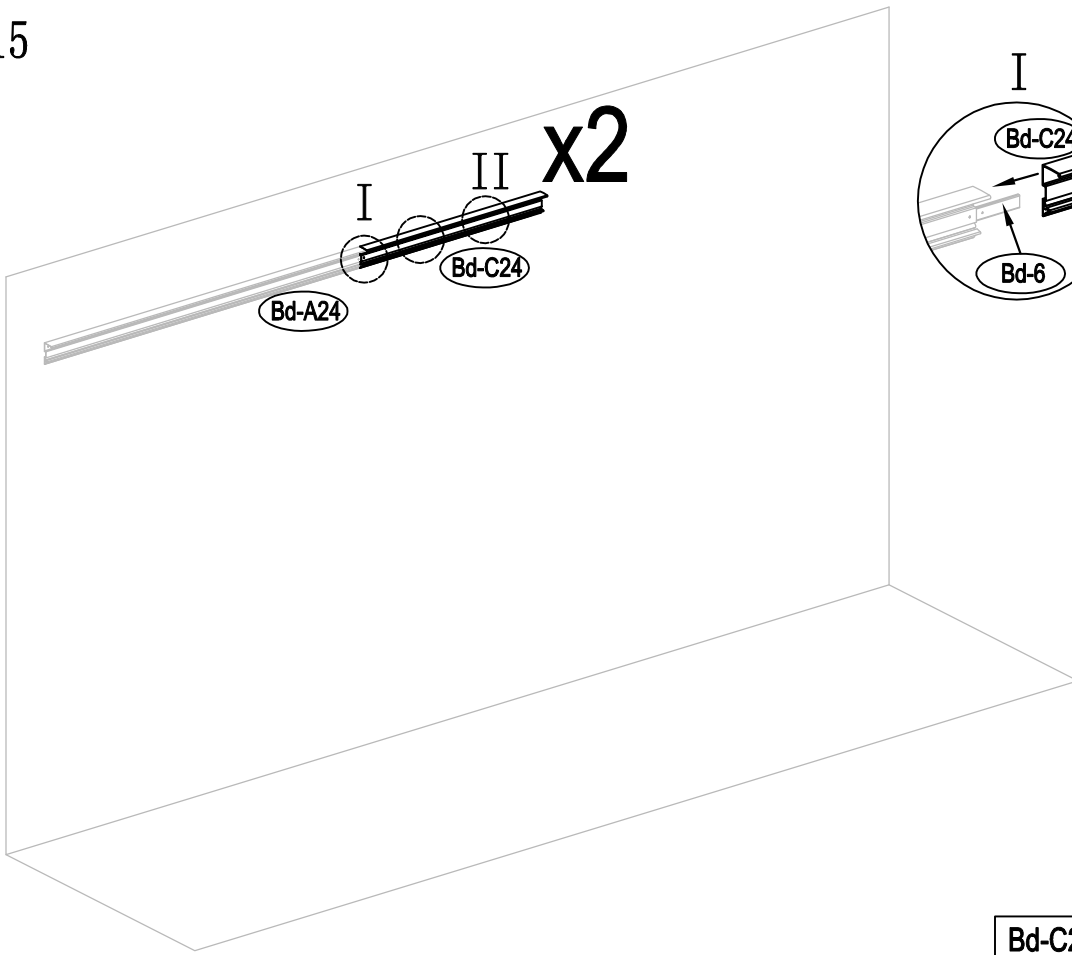
14



Bd-6		x1
Bd-F26		x1
Bd-F31		x3
Bd-F32		x3

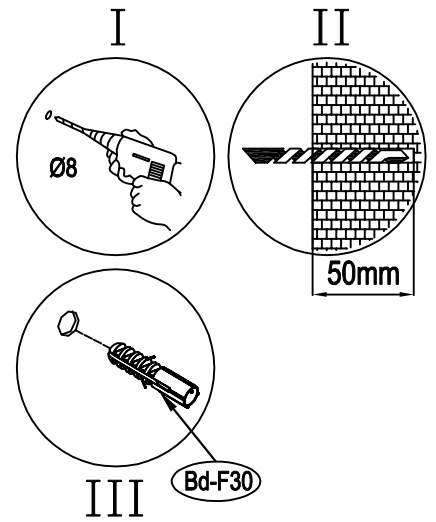
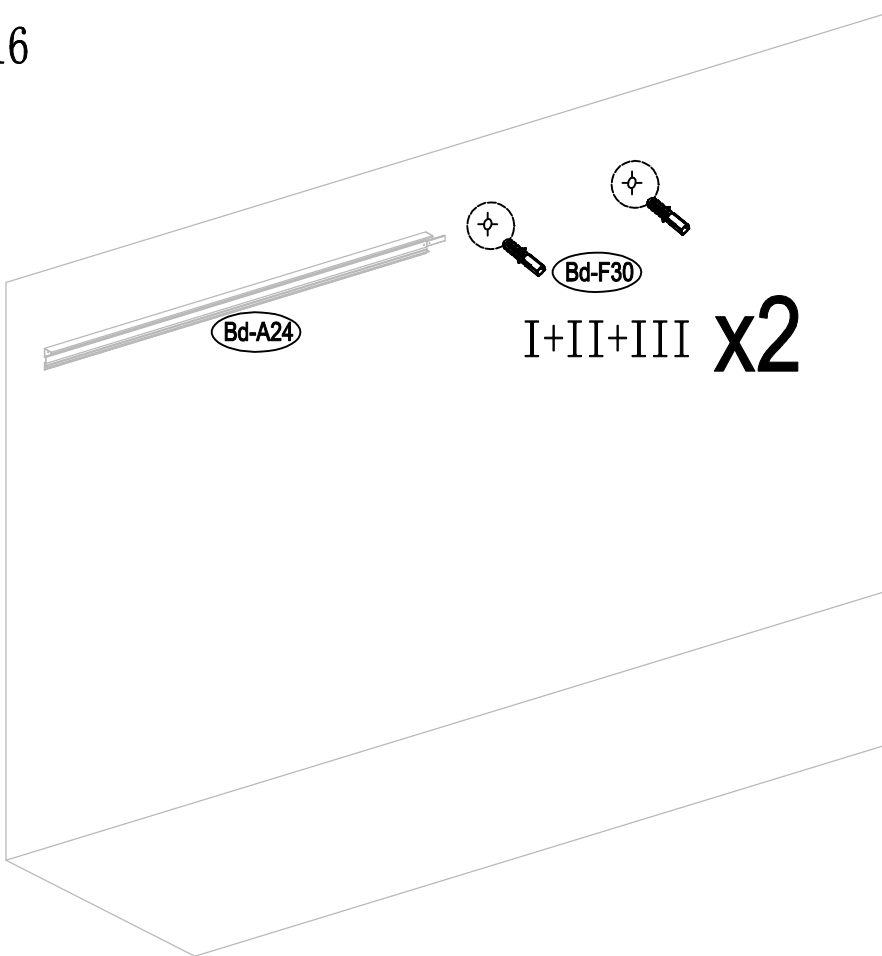


15



Bd-C24		x1
--------	--	----

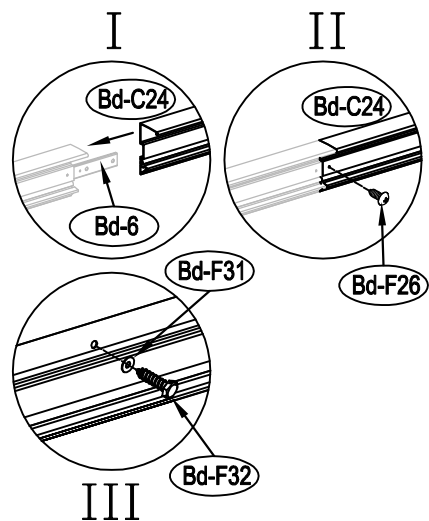
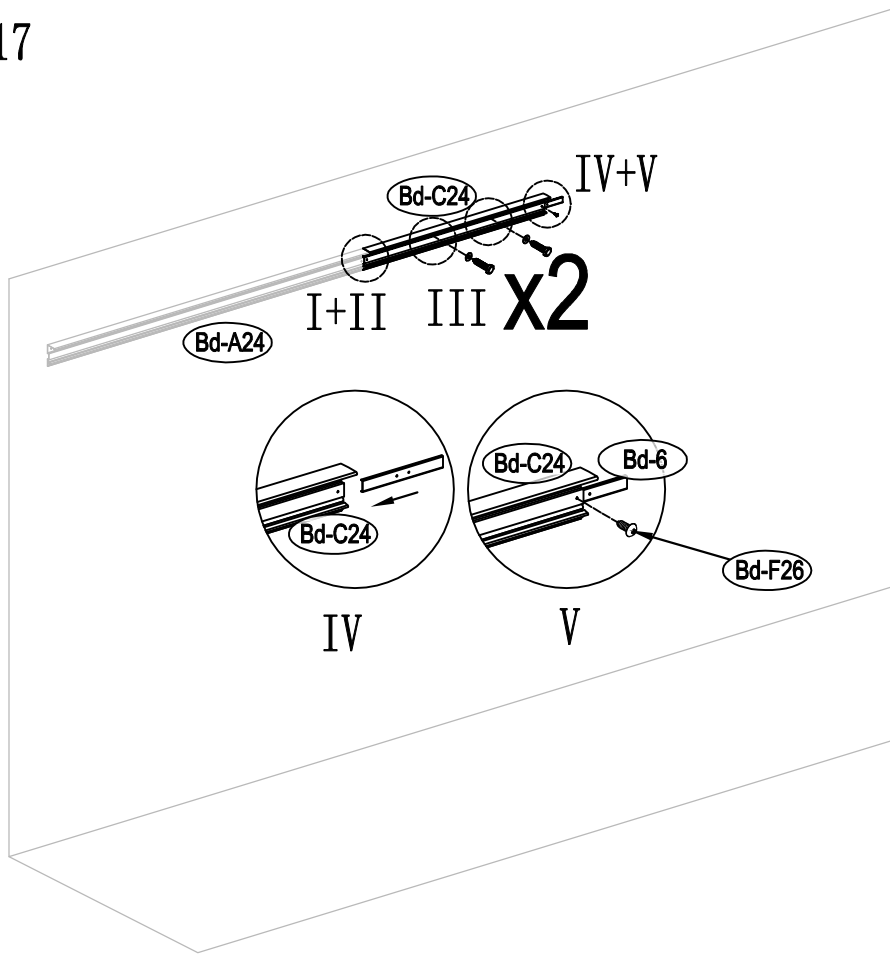
16



Bd-F30		x2
--------	--	----

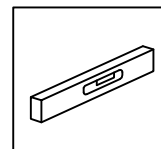
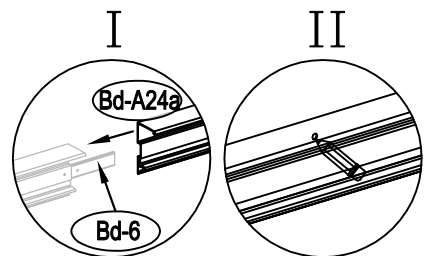
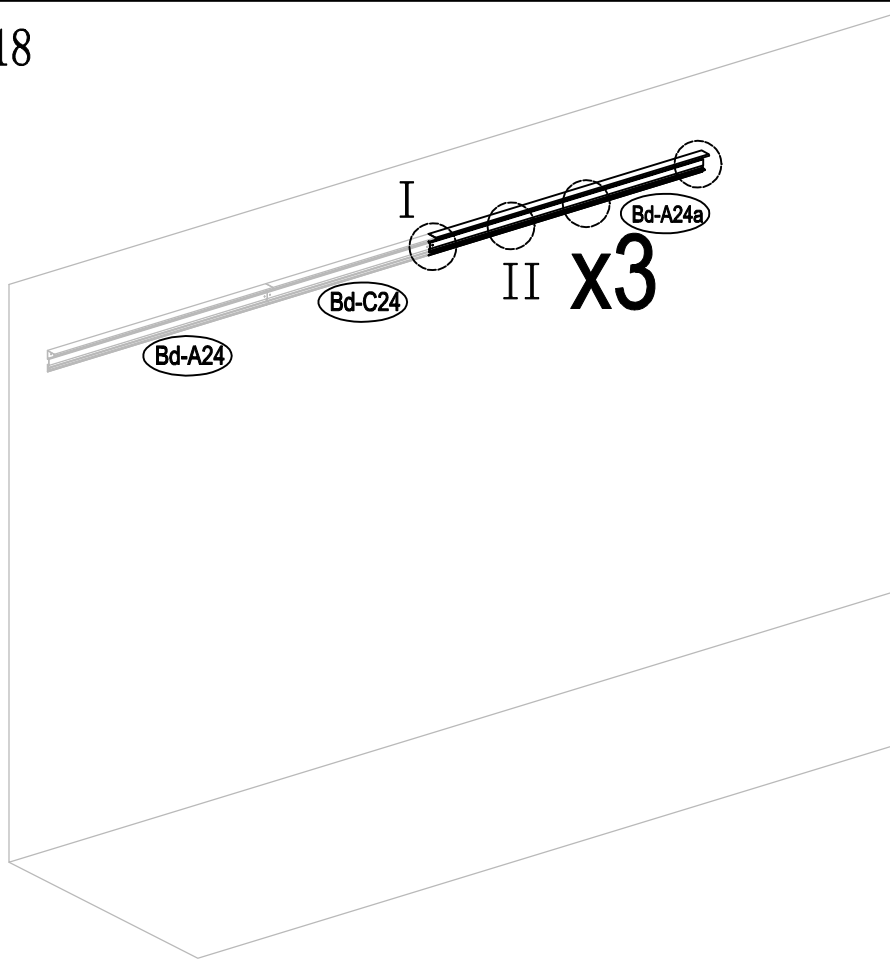


17



Bd-6		x1
Bd-C24		x1
Bd-F26		x2
Bd-F31		x2
Bd-F32		x2

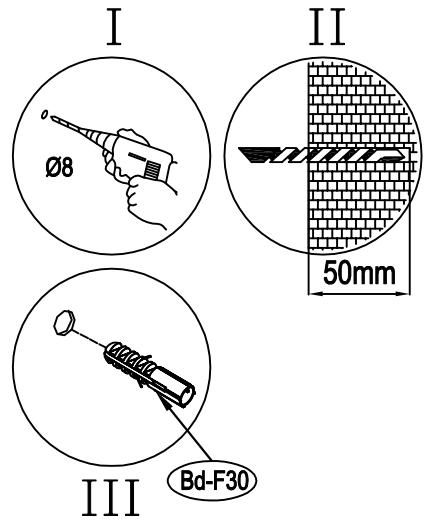
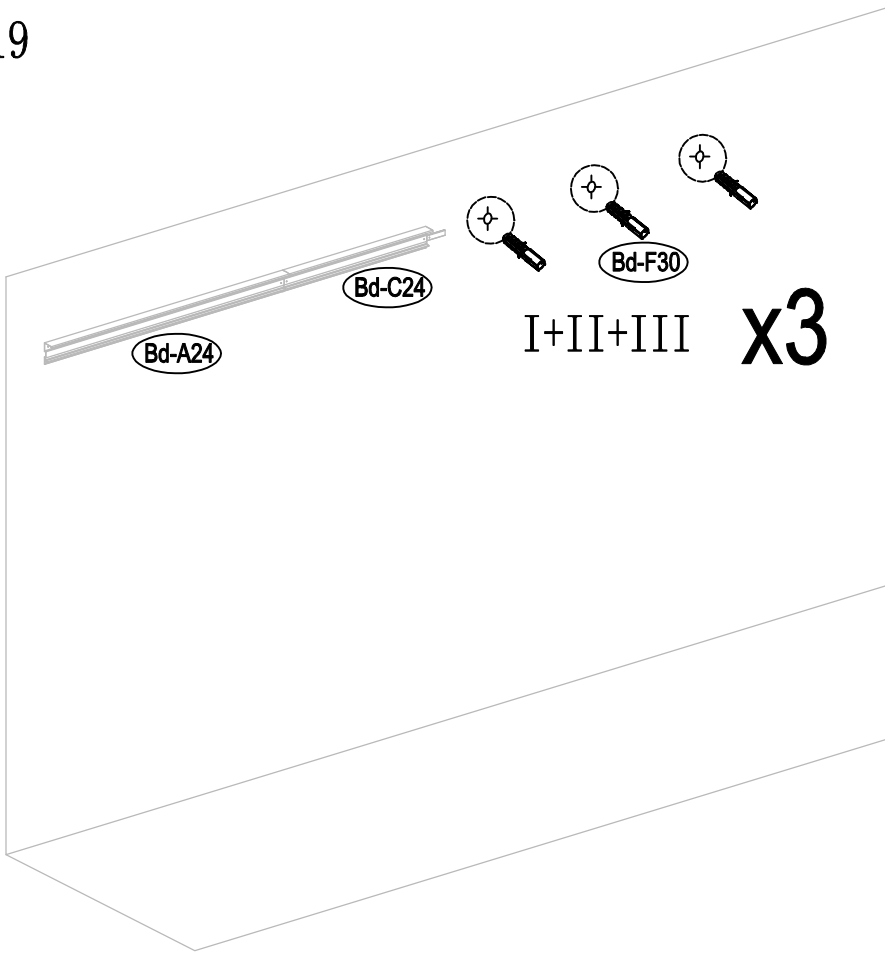
18



Bd-A24a		x1
---------	--	----

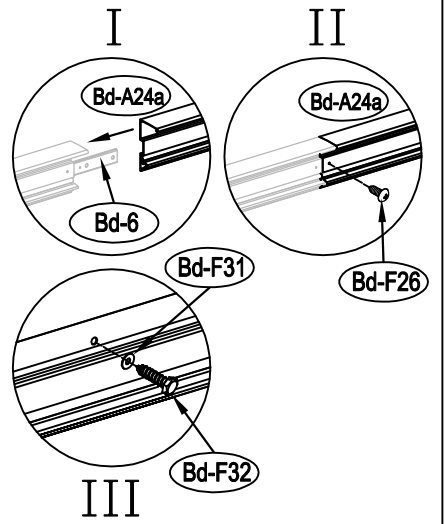
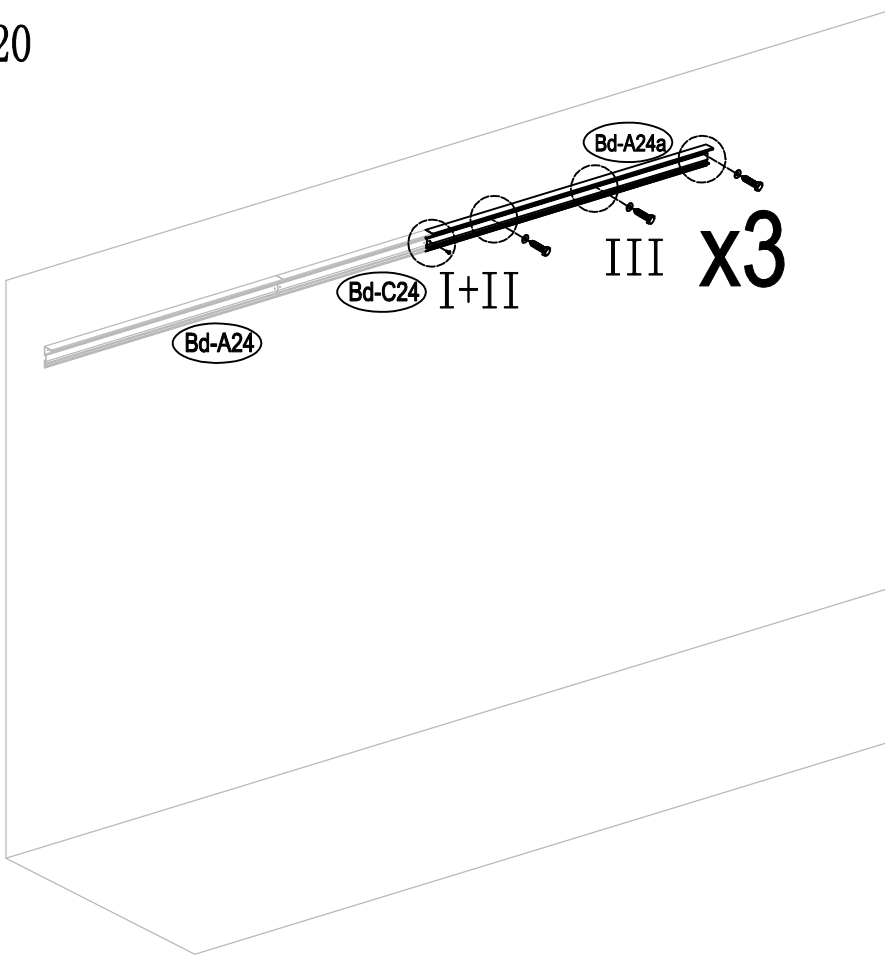






19



Bd-F30		x3
--------	---------------------------------------------------------------------------------------	----

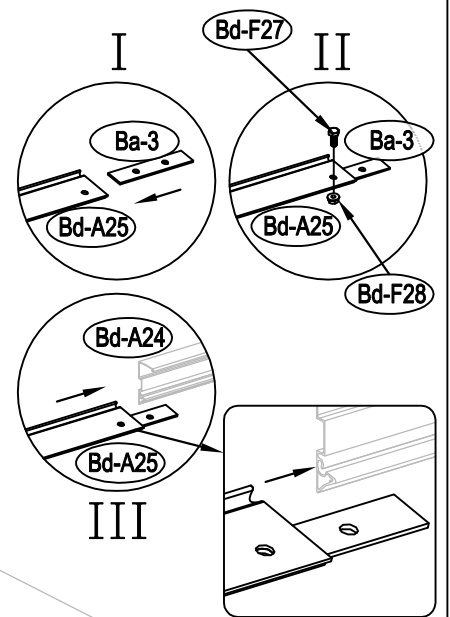
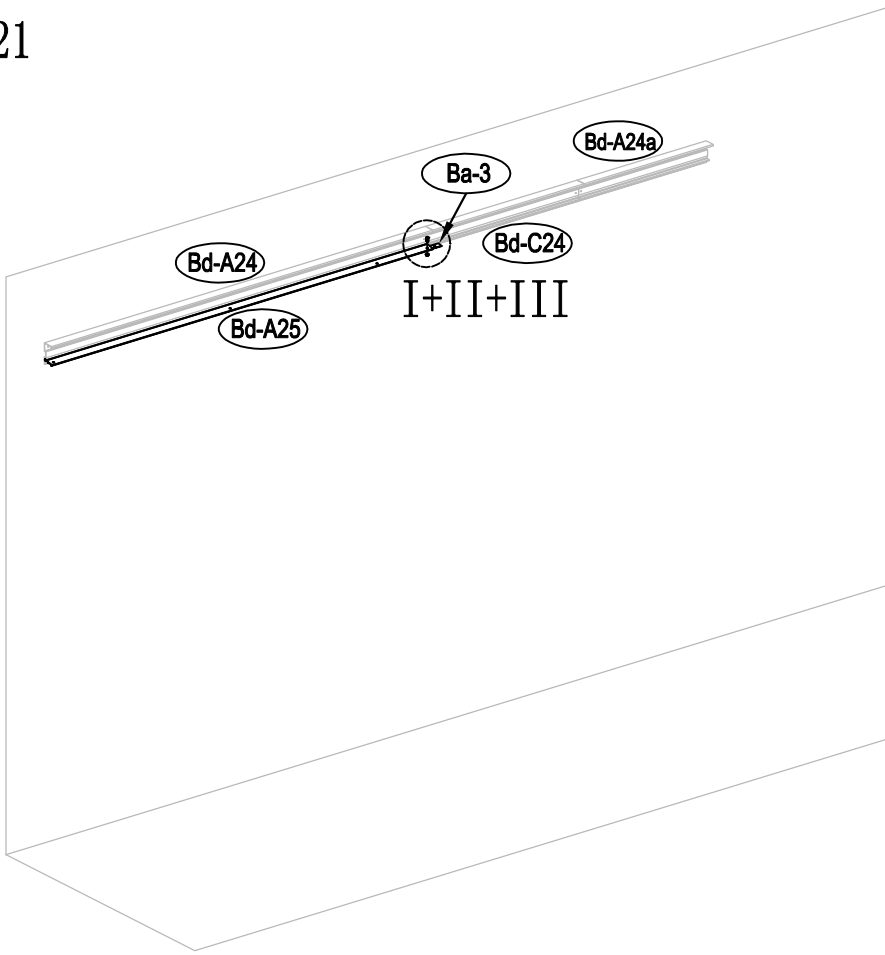
20



Bd-A24a		x1
Bd-F26		x1
Bd-F31		x3
Bd-F32		x3

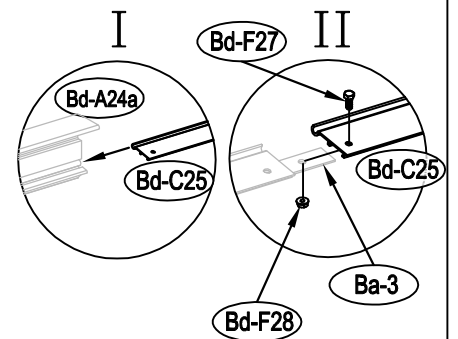


21



Ba-3		x1
Bd-A25		x1
Bd-F27		x1
Bd-F28		x1

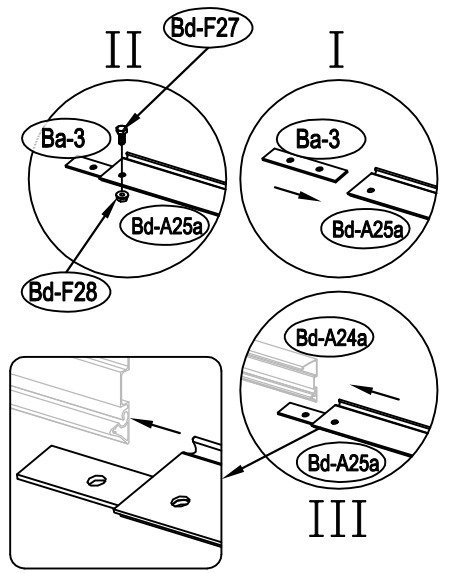
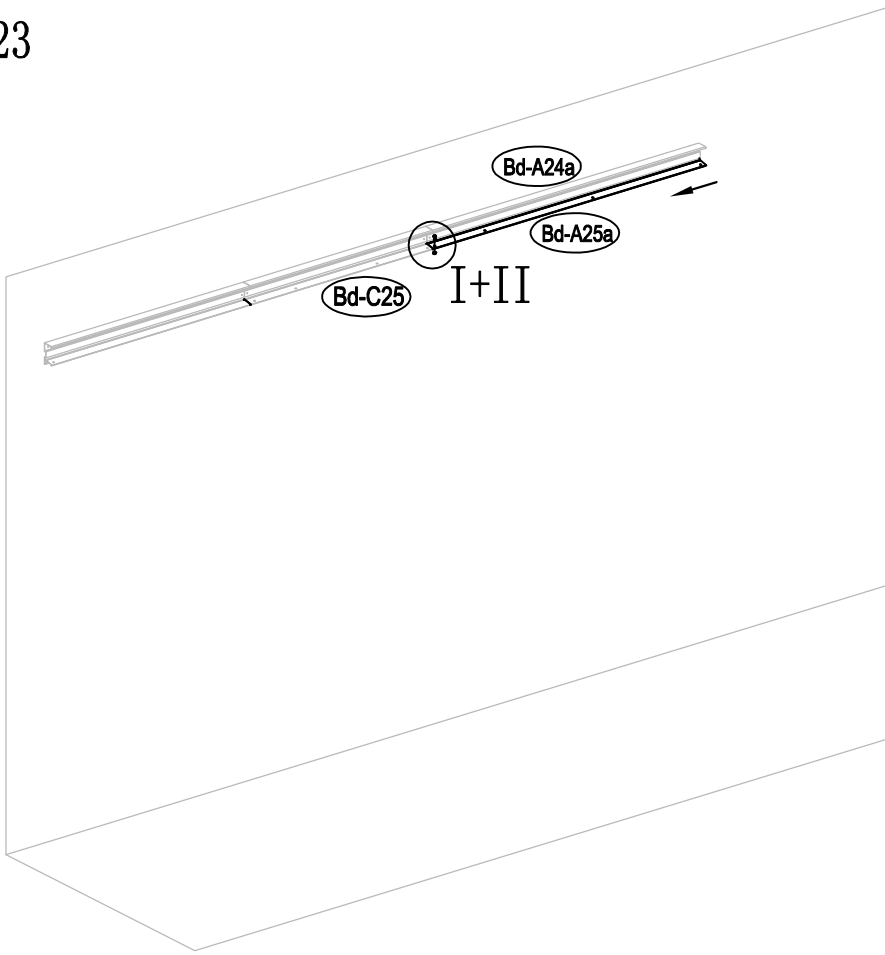
22







Bd-C25		x1
Bd-F27		x1
Bd-F28		x1

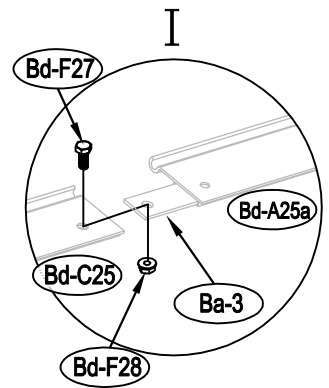
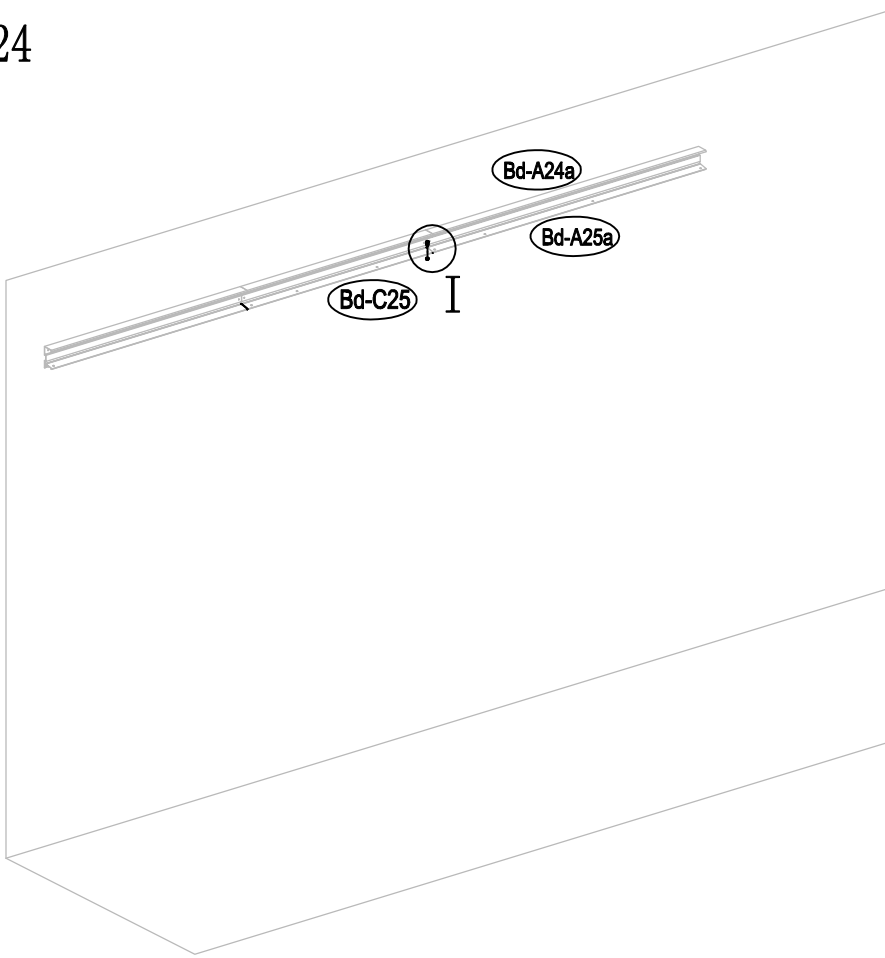




23



Ba-3		x1
Bd-A25a		x1
Bd-F27		x1
Bd-F28		x1

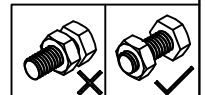
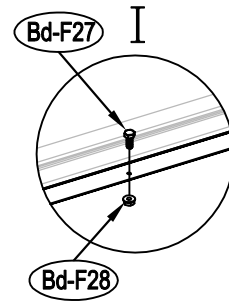
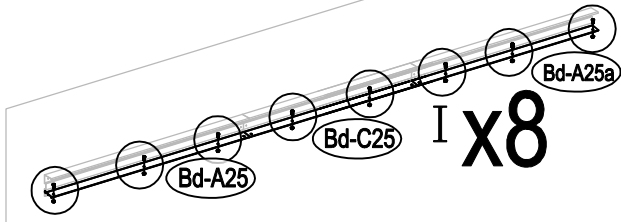
24



Bd-F27		x1
Bd-F28		x1

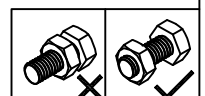
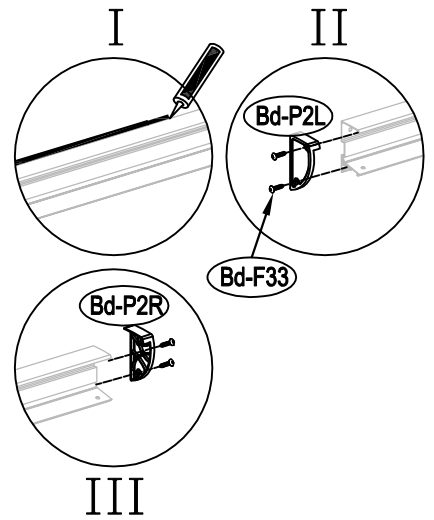
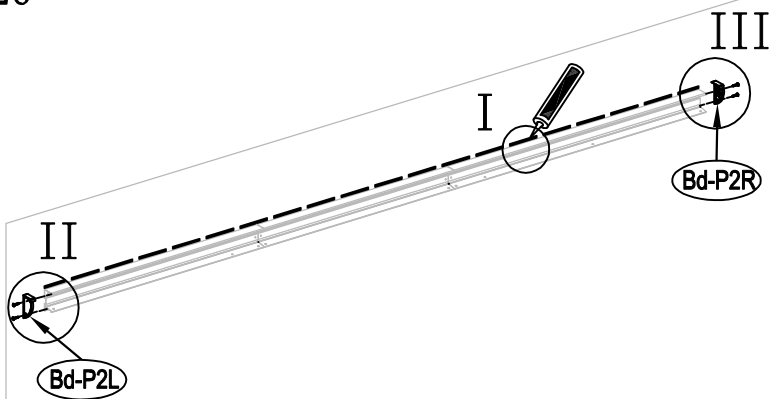


25



Bd-F27		x8
Bd-F28		x8

26

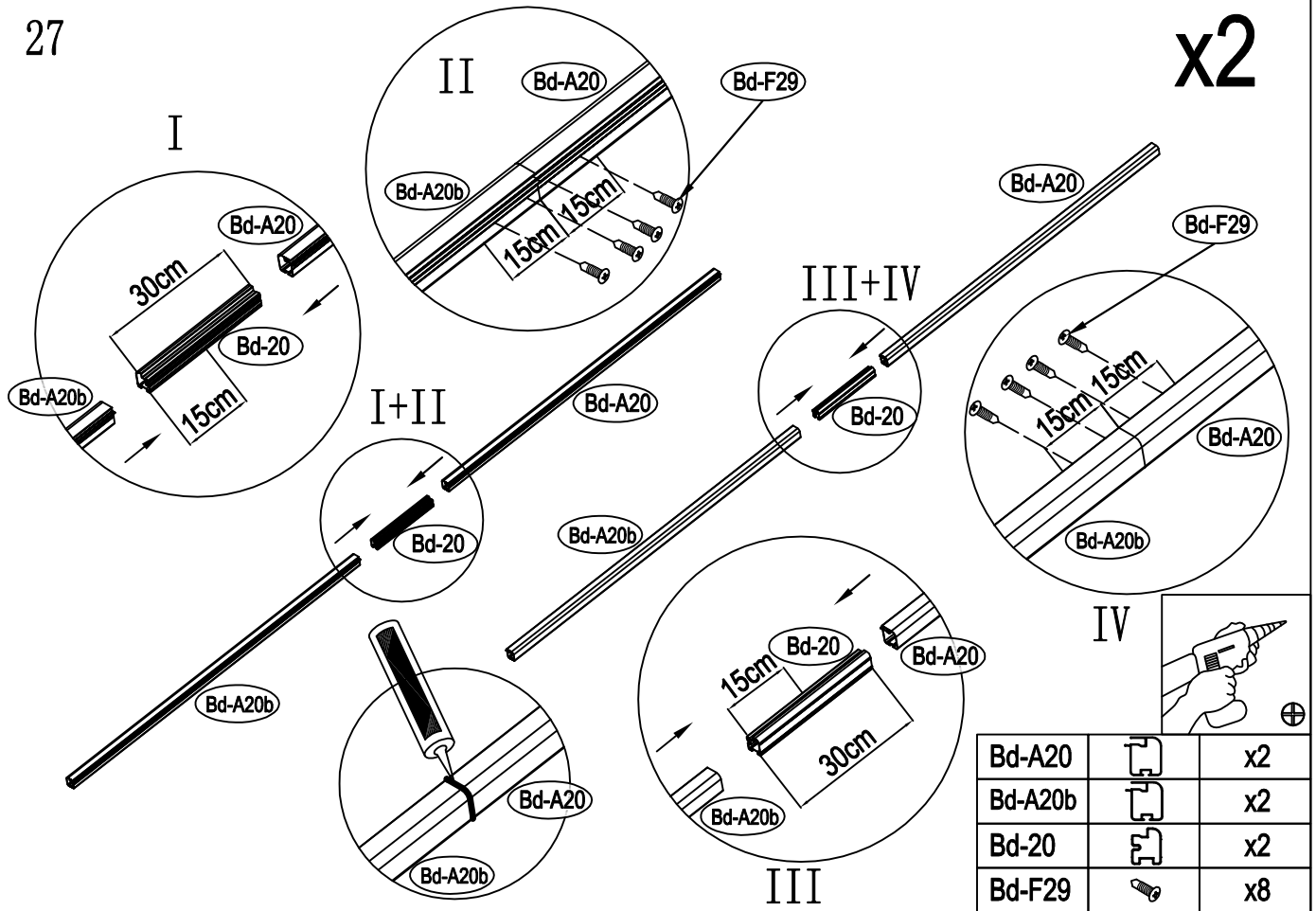


Bd-P2L		x1
Bd-P2R		x1
Bd-F33		x4



27

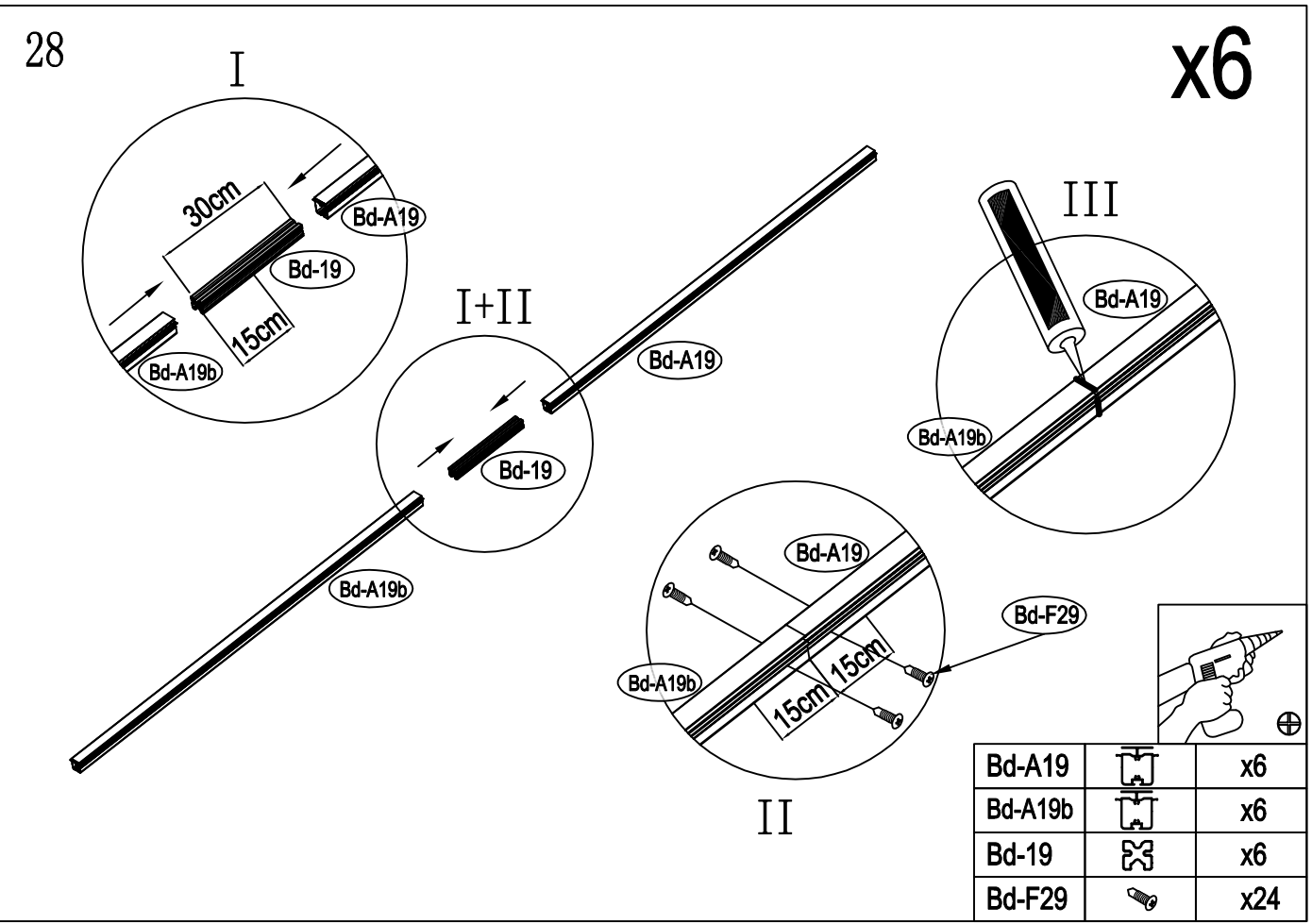
x2



Bd-A20		x2
Bd-A20b		x2
Bd-20		x2
Bd-F29		x8

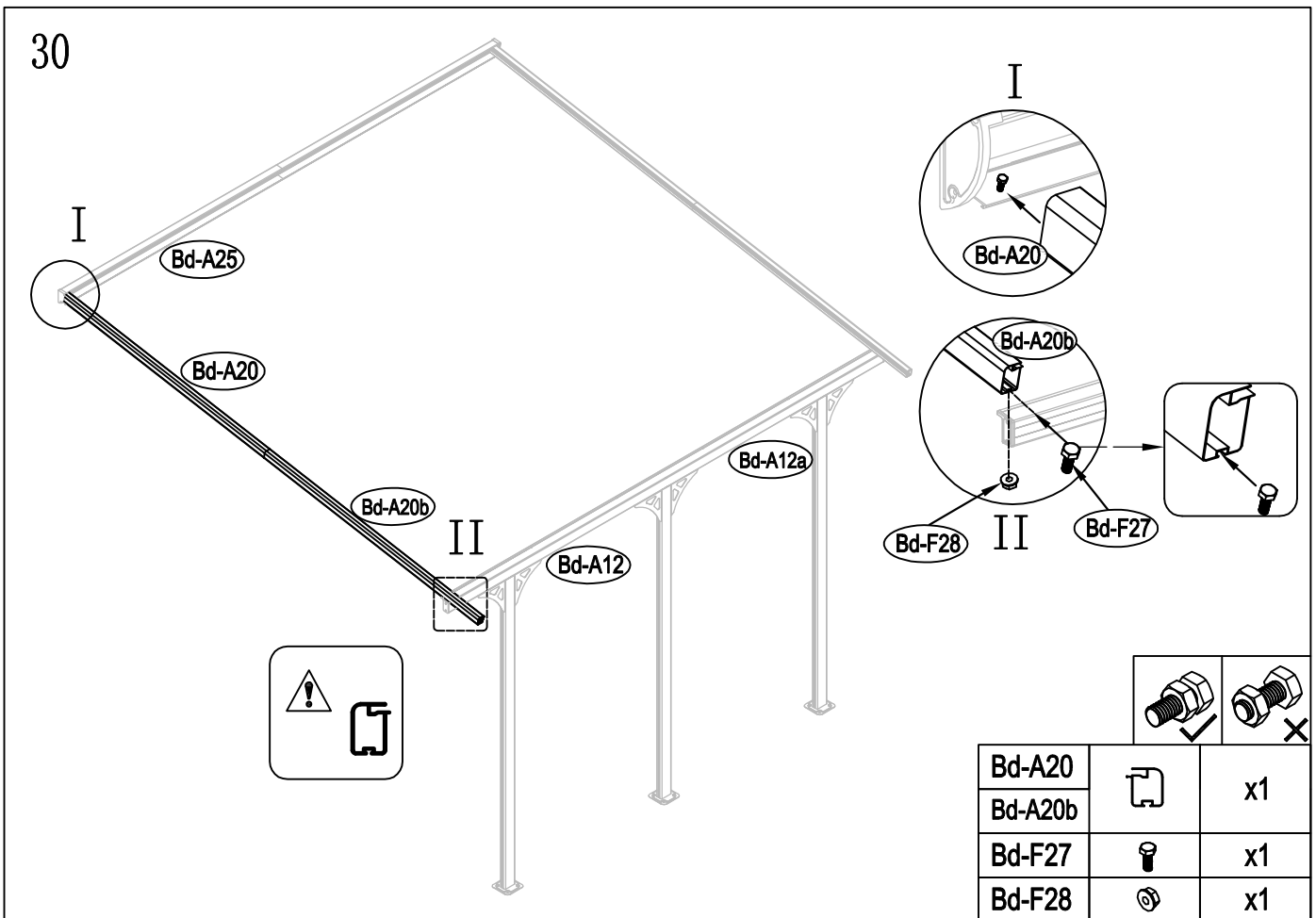
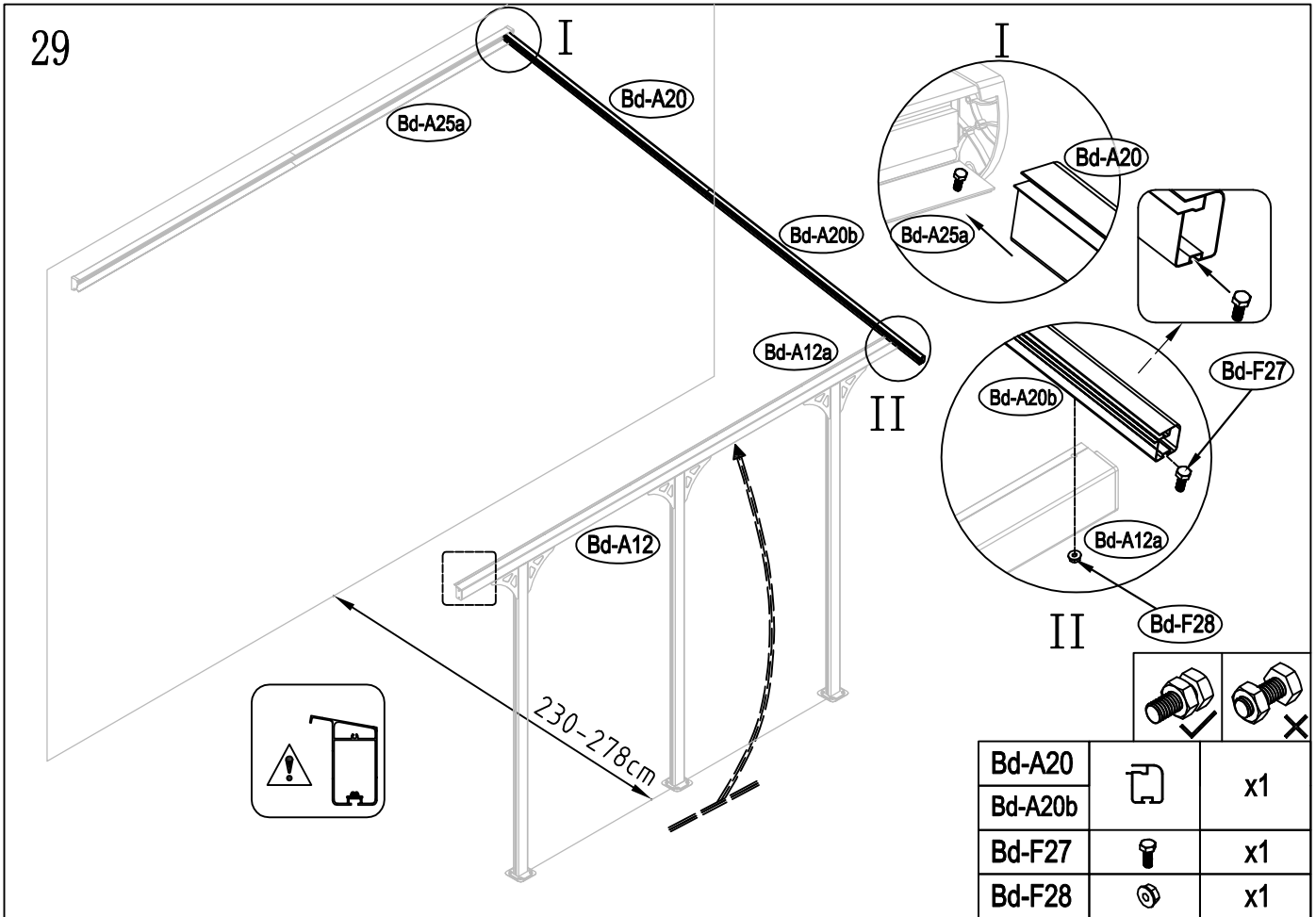
28

x6

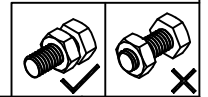
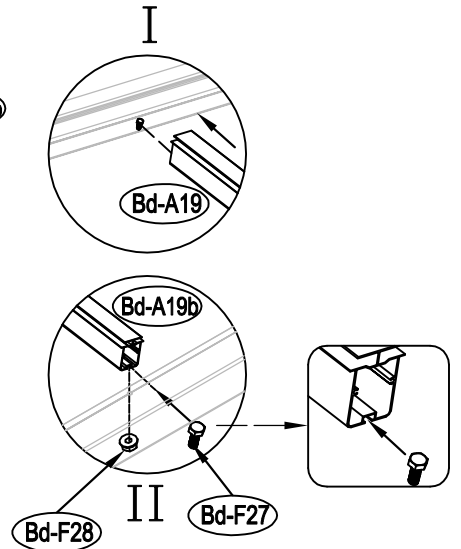
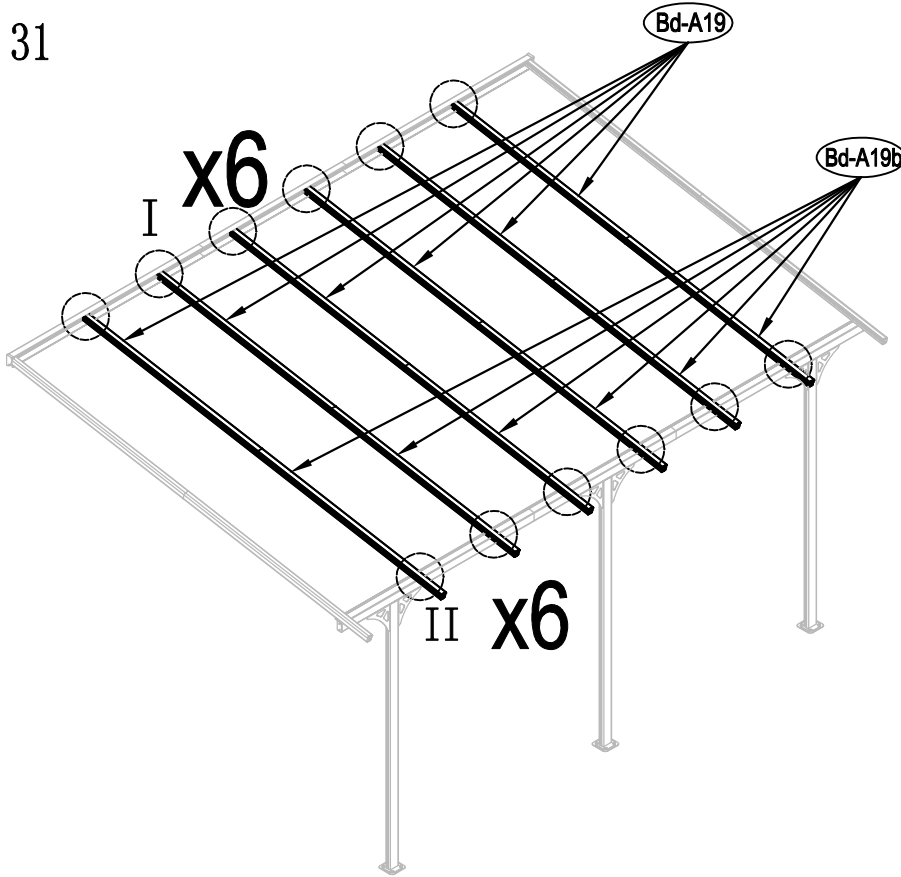


Bd-A19		x6
Bd-A19b		x6
Bd-19		x6
Bd-F29		x24



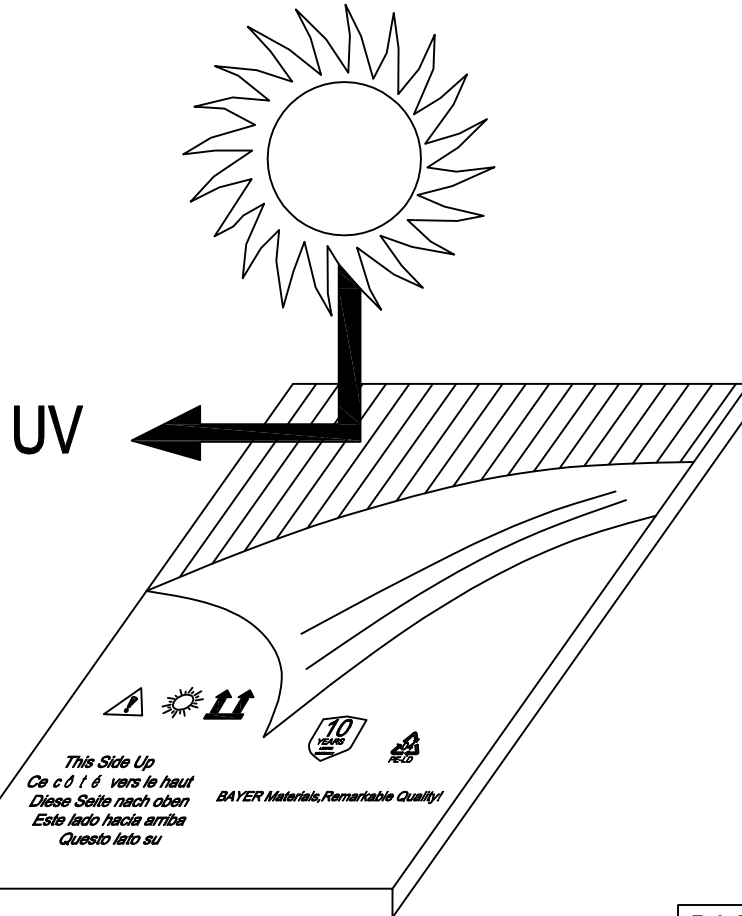


31



Bd-A19		x6
Bd-A19b		x6
Bd-F27		x6
Bd-F28		x6

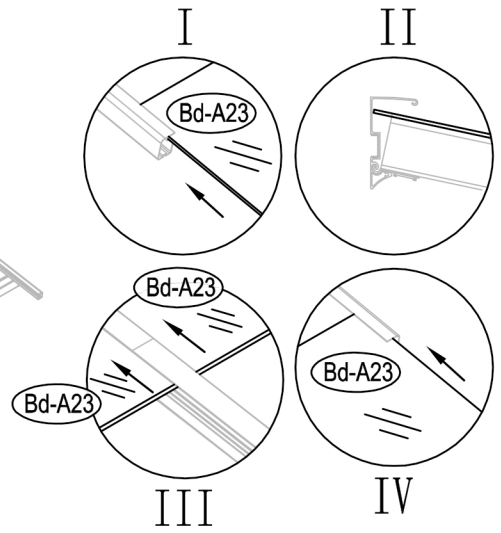
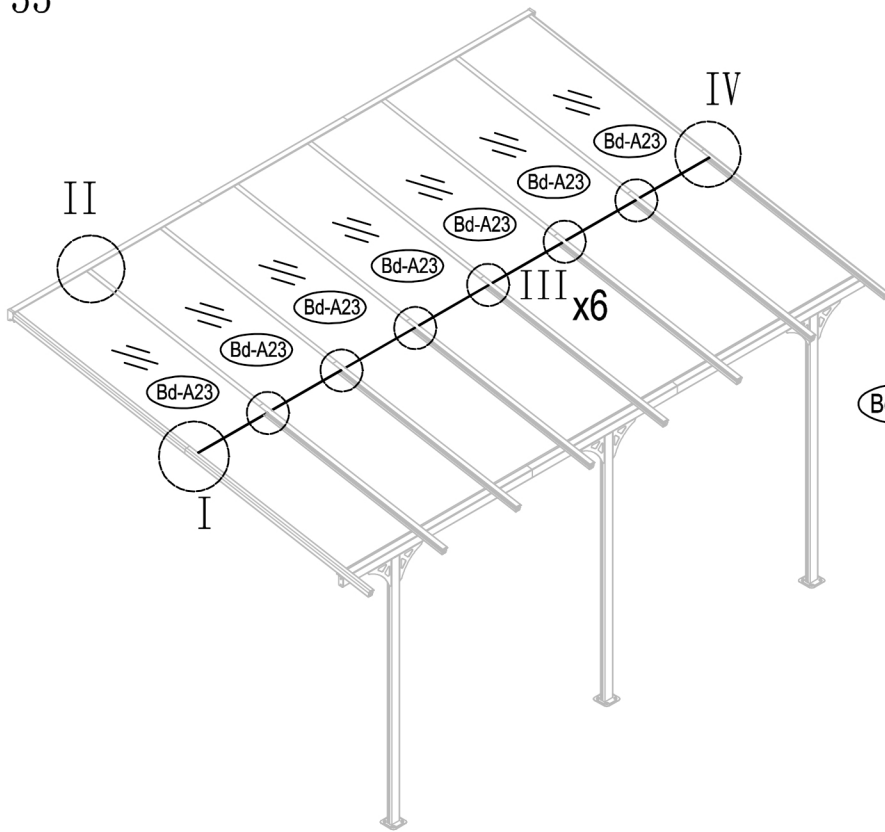
32



Bd-A23		x14
--------	--	-----

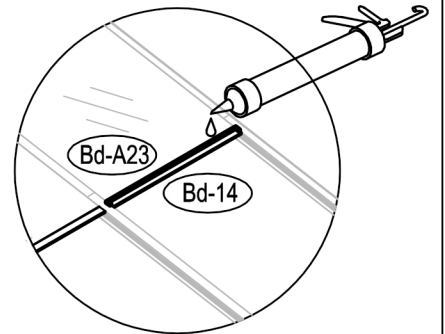
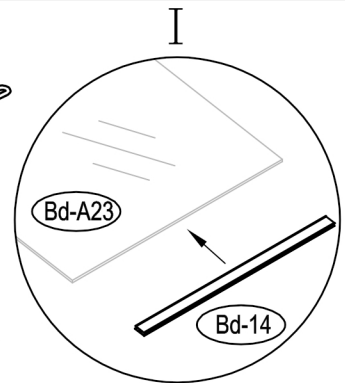
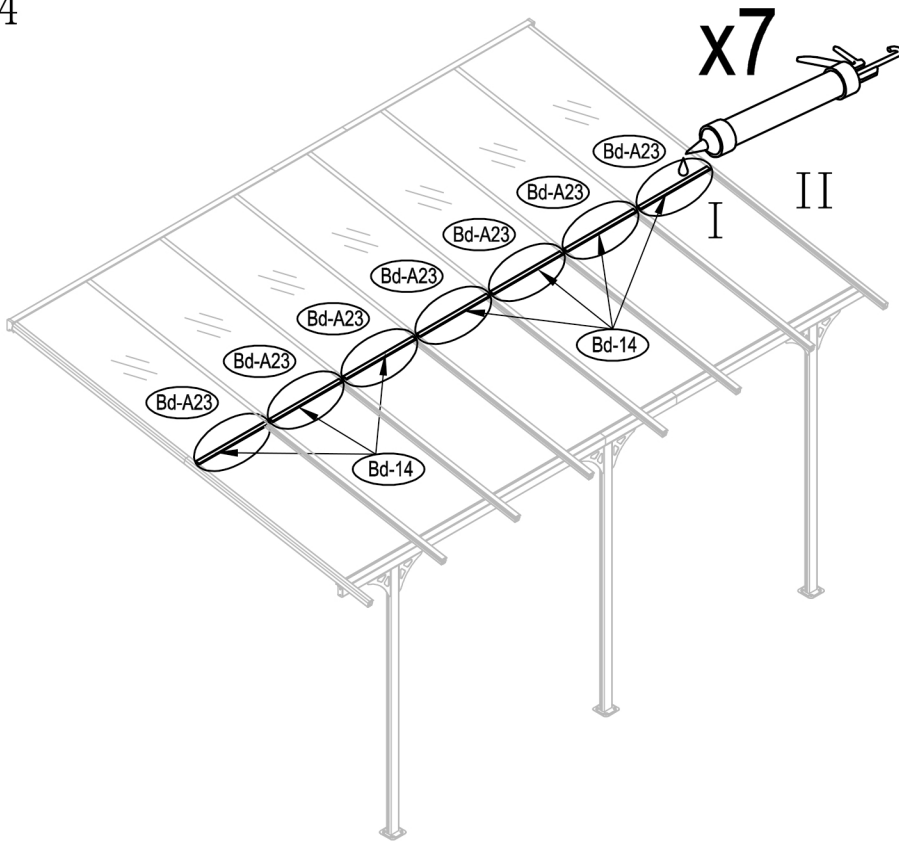


33



Bd-A23		x7
--------	--	----

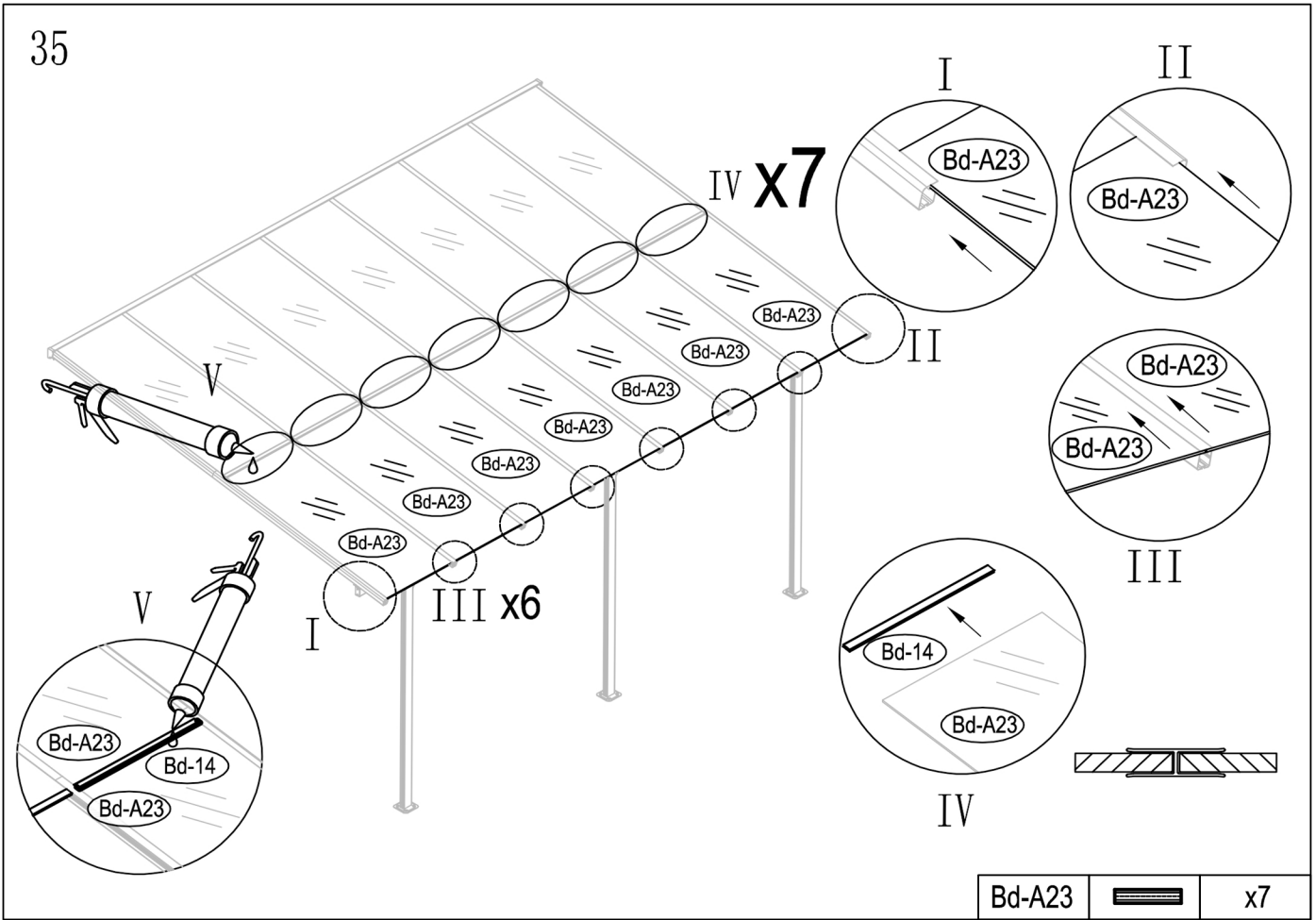
34



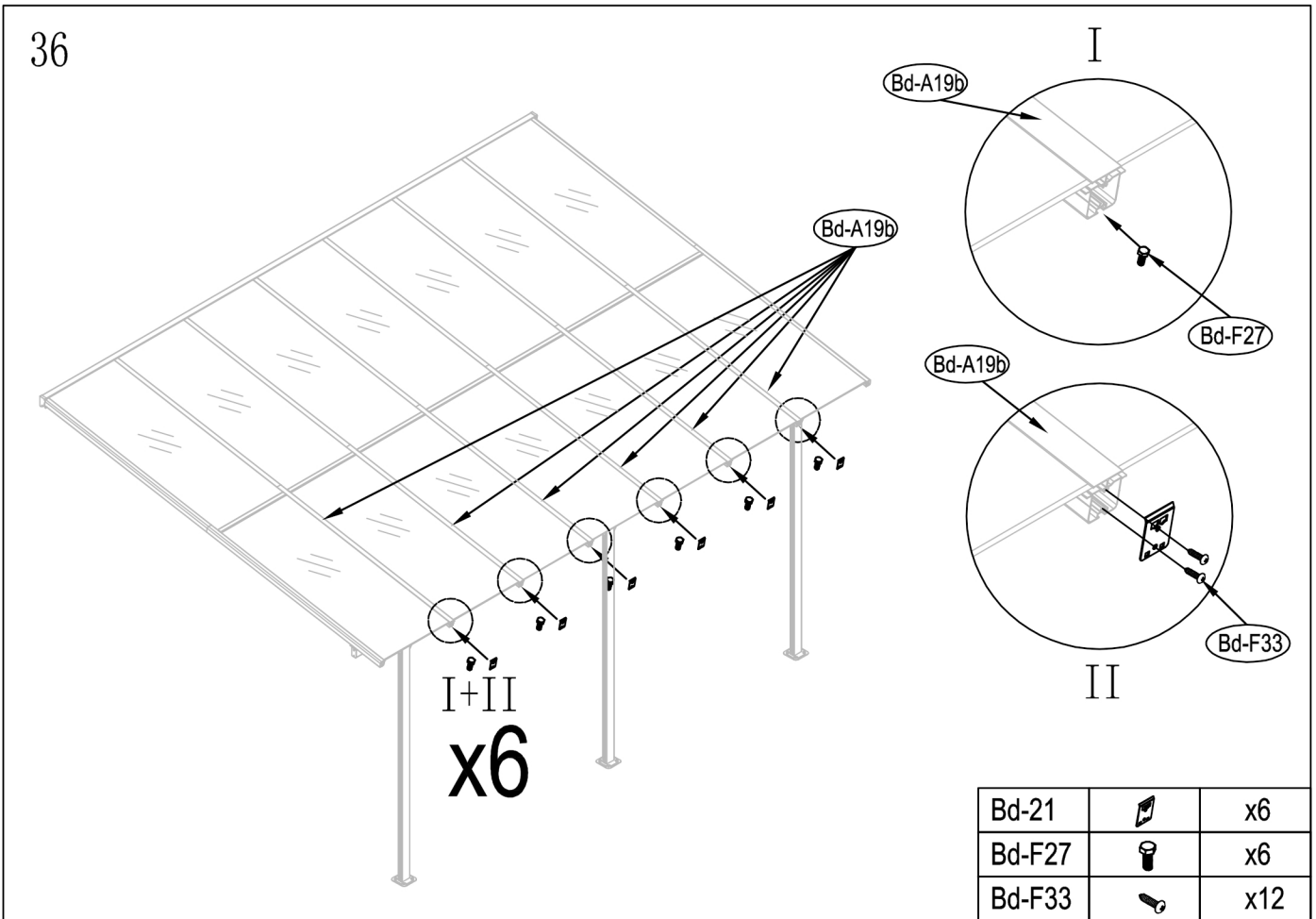
Bd-14		x7
-------	--	----



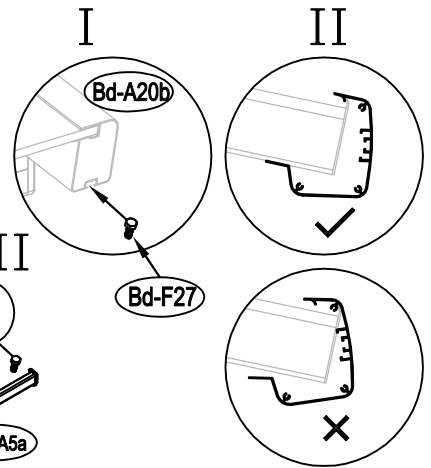
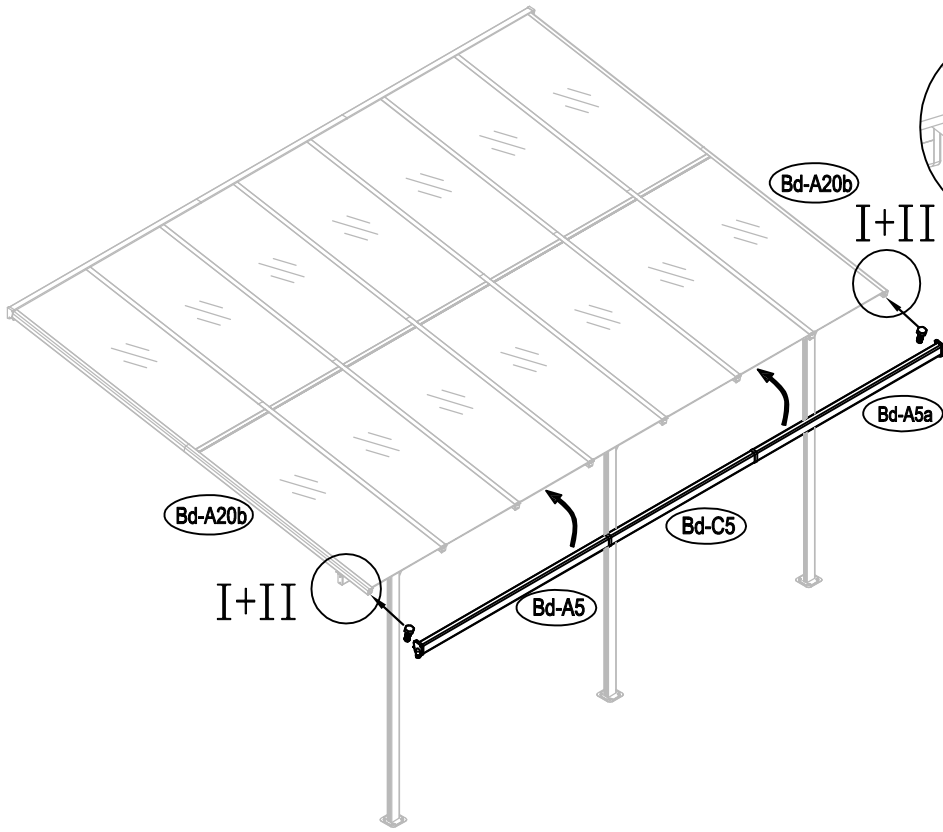
35



36

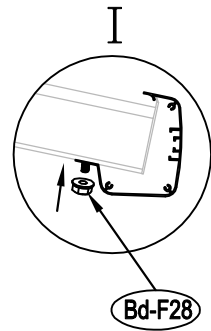
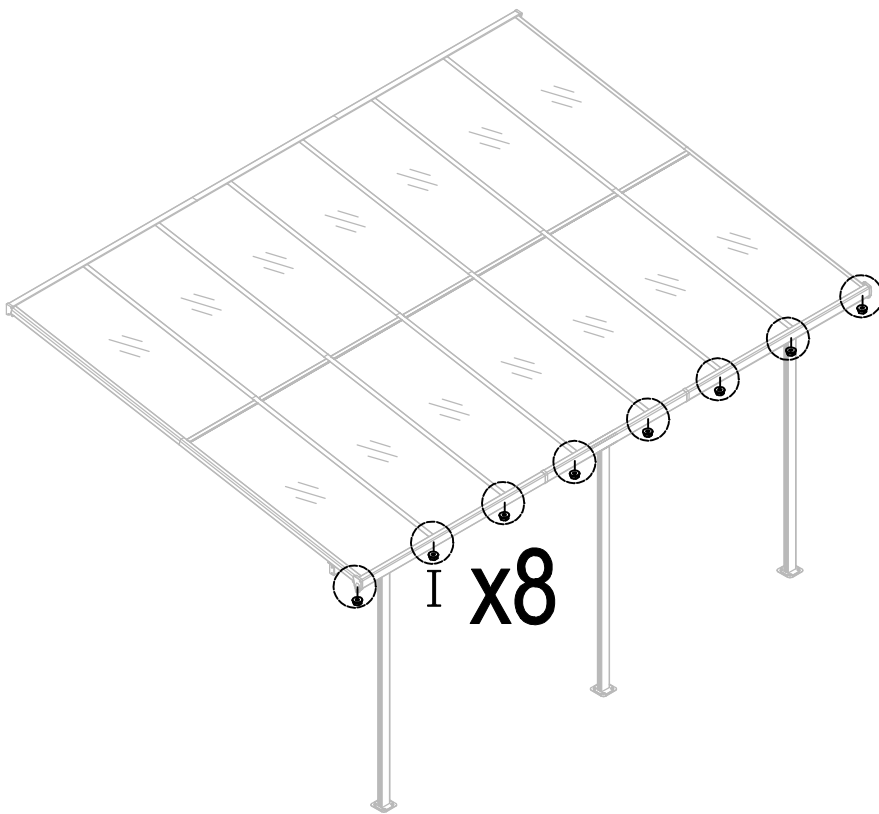


37



Bd-F27		x2
--------	--	----

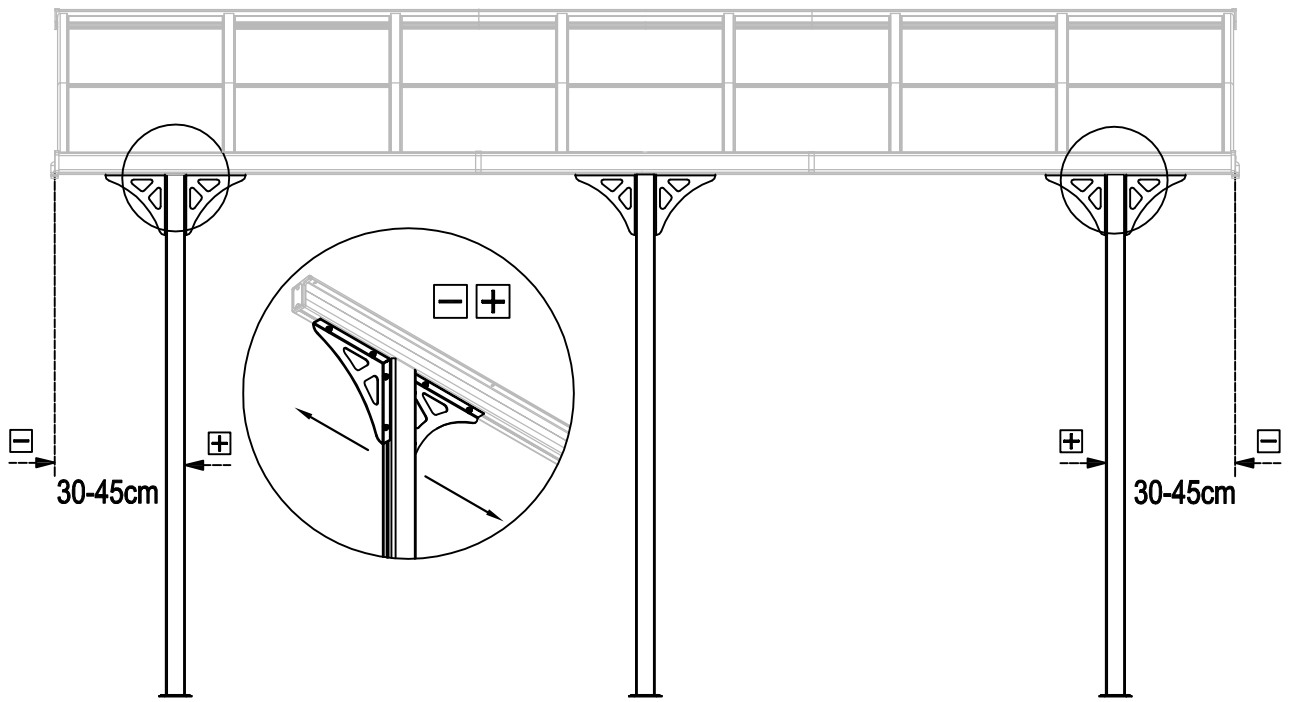
38



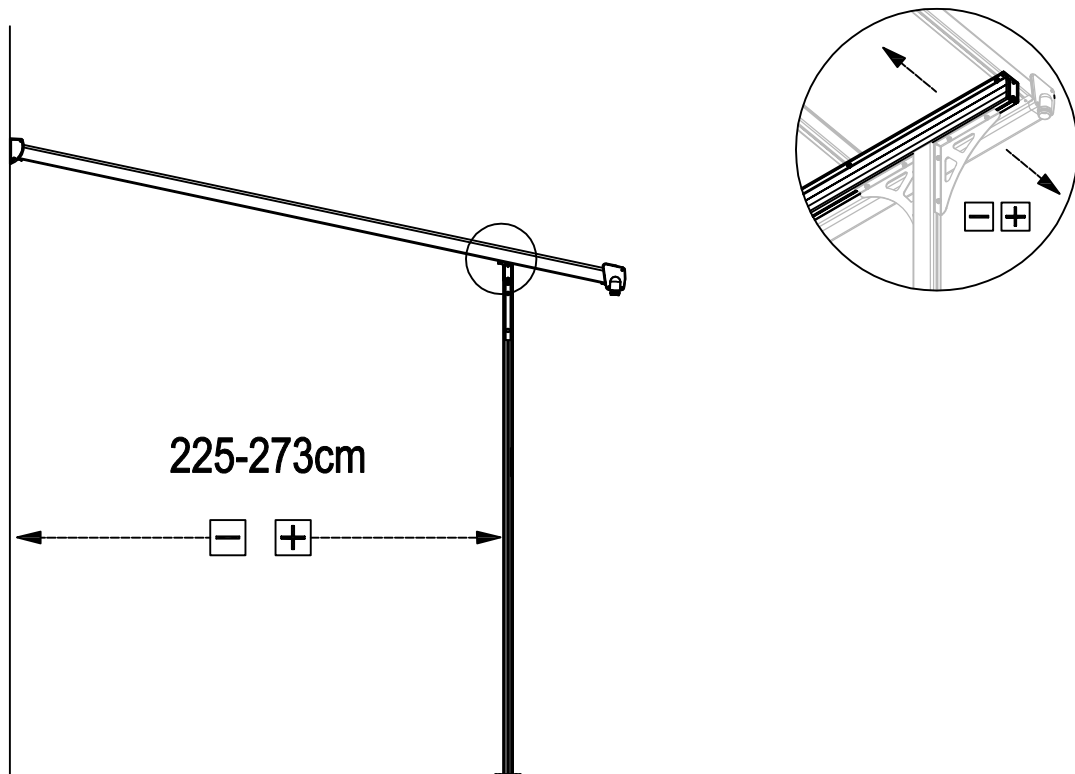
Bd-F28		x8
--------	--	----



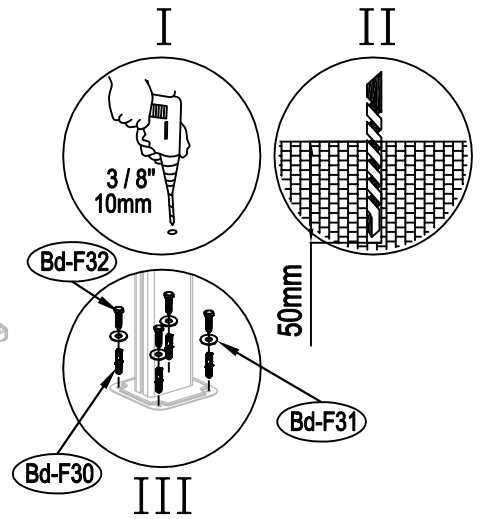
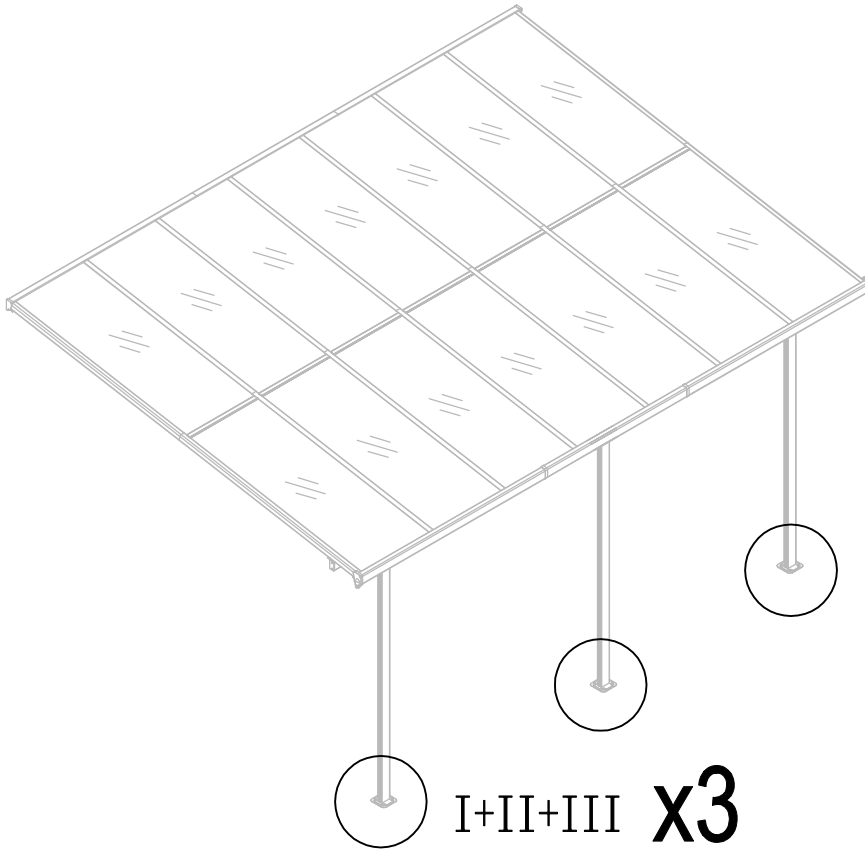
39






40

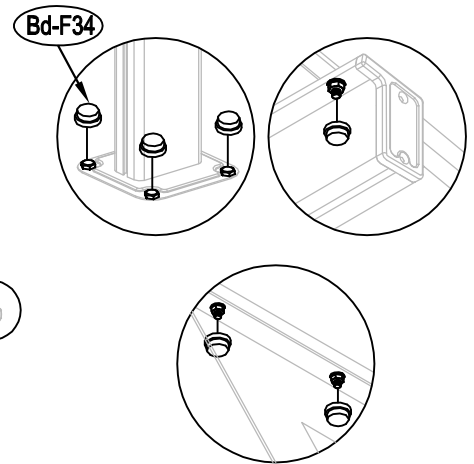
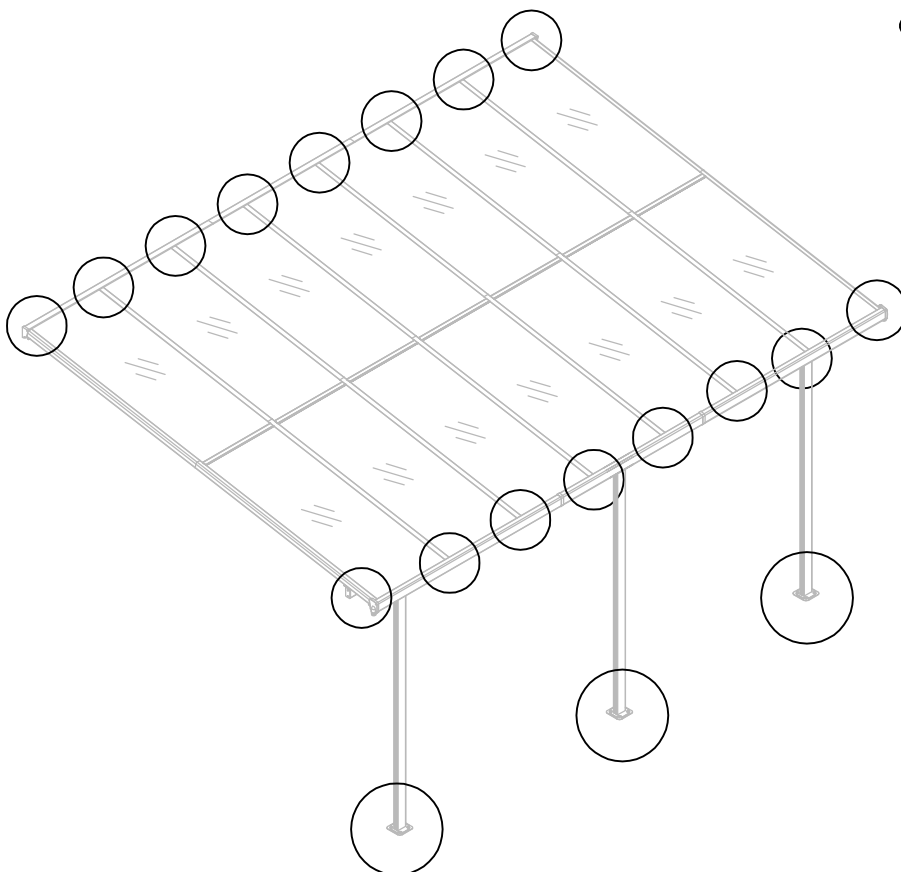


41



Bd-F30		x12
Bd-F31		x12
Bd-F32		x12

42



Bd-F34		x60
--------	---------------------------------------------------------------------------------------	-----



43

