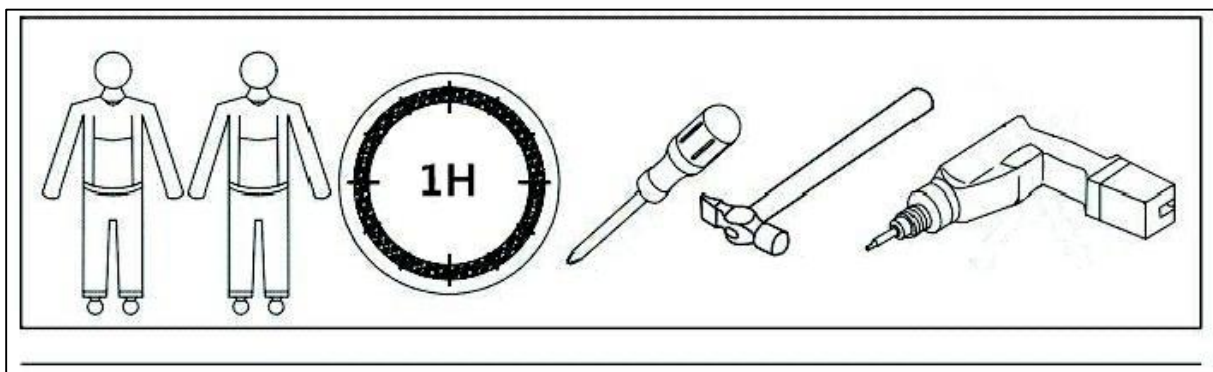
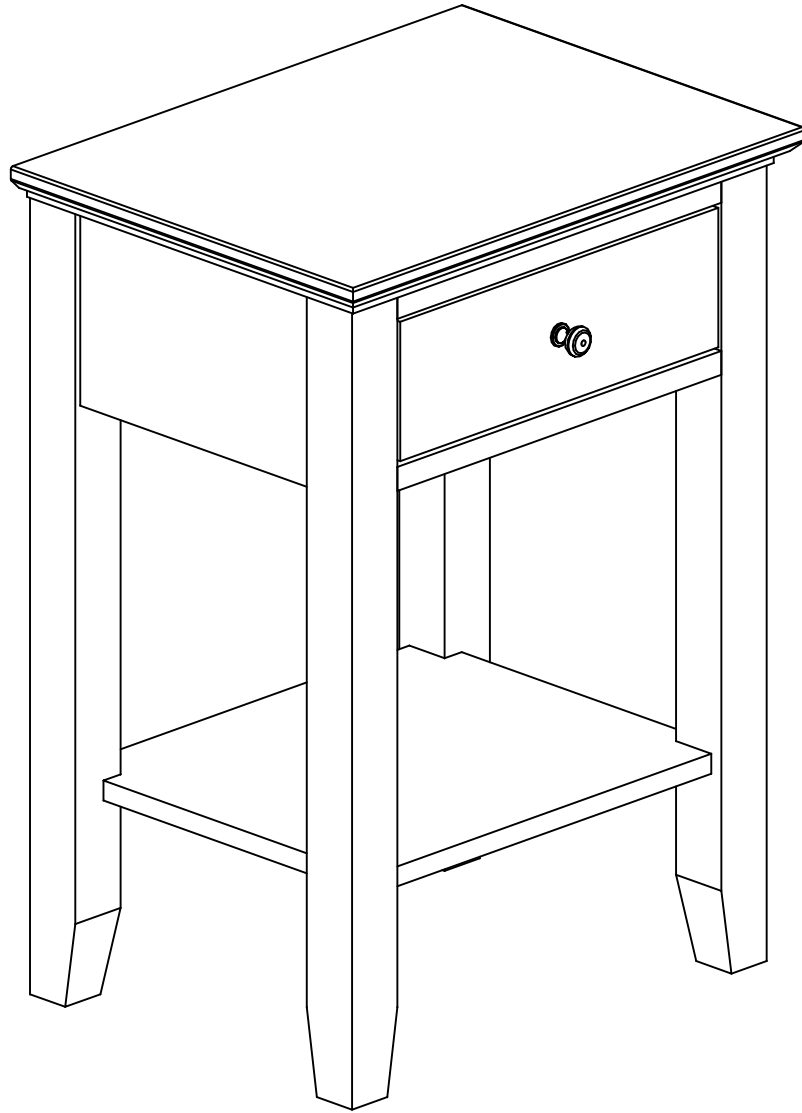
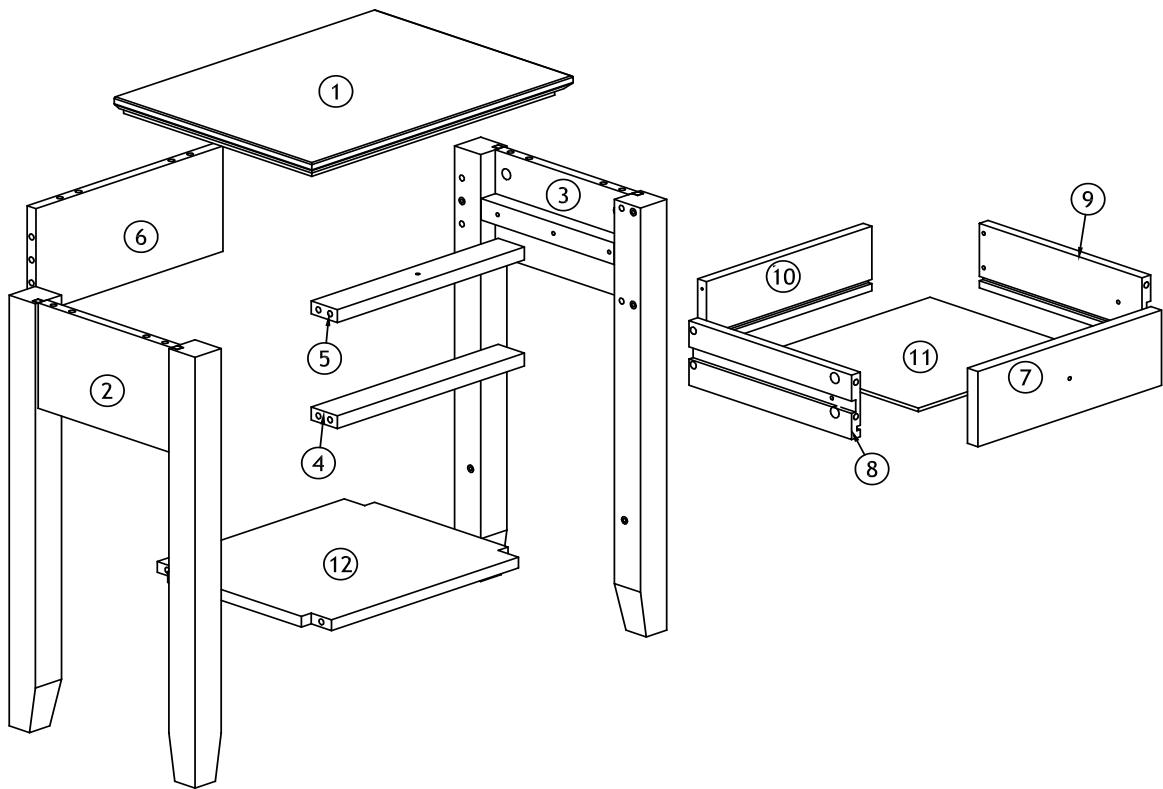
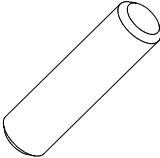
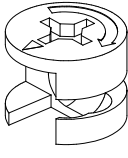
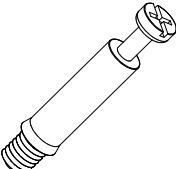
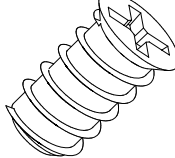
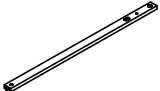

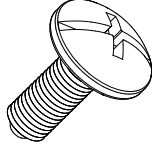
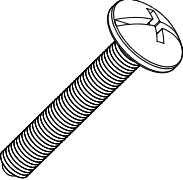

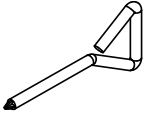
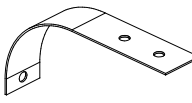

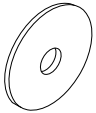


# LINNEA BED SIDE TABLE

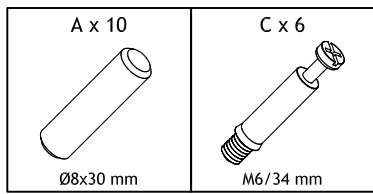


# LINNEA BED SIDE TABLE

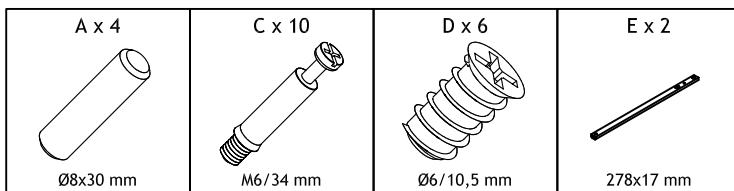
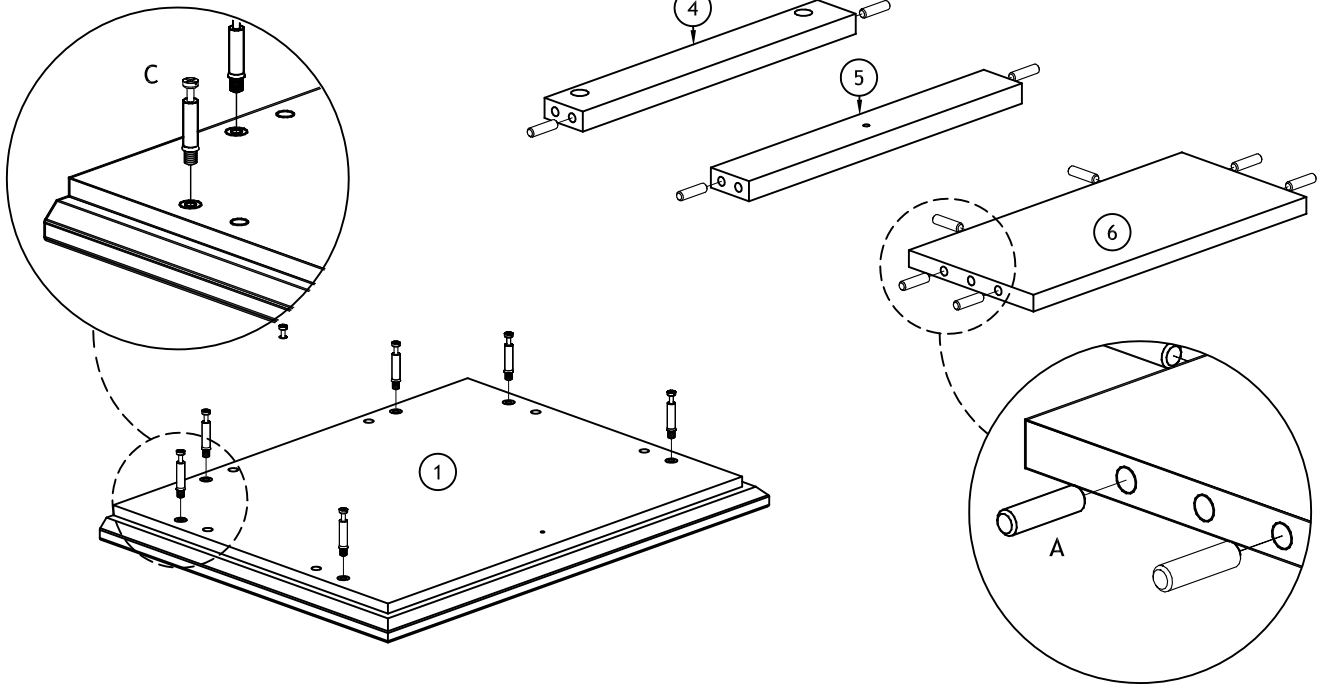


<p>A x 14</p>  <p>Ø8x30 mm</p>	<p>B x 20</p>  <p>Ø15x12 mm</p>	<p>C x 20</p>  <p>M6/34 mm</p>	<p>Dx 6</p>  <p>Ø6/10,5 mm</p>
<p>E x 2</p>  <p>278x17 mm</p>	<p>F x 5</p>  <p>Ø4x35 mm</p>	<p>G x 2</p>  <p>M4x11 mm</p>	<p>H x 1</p>  <p>M4x23 mm</p>
<p>I x 1</p>  <p>Ø22x24mm</p>	<p>J x 1</p>  <p>PZ 2</p>	<p>K x 1</p>  <p>150x26 mm</p>	<p>L x 2</p>  <p>Ø4x15 mm</p>
<p>M x 3</p>  <p>M4/Ø12x1mm</p>			

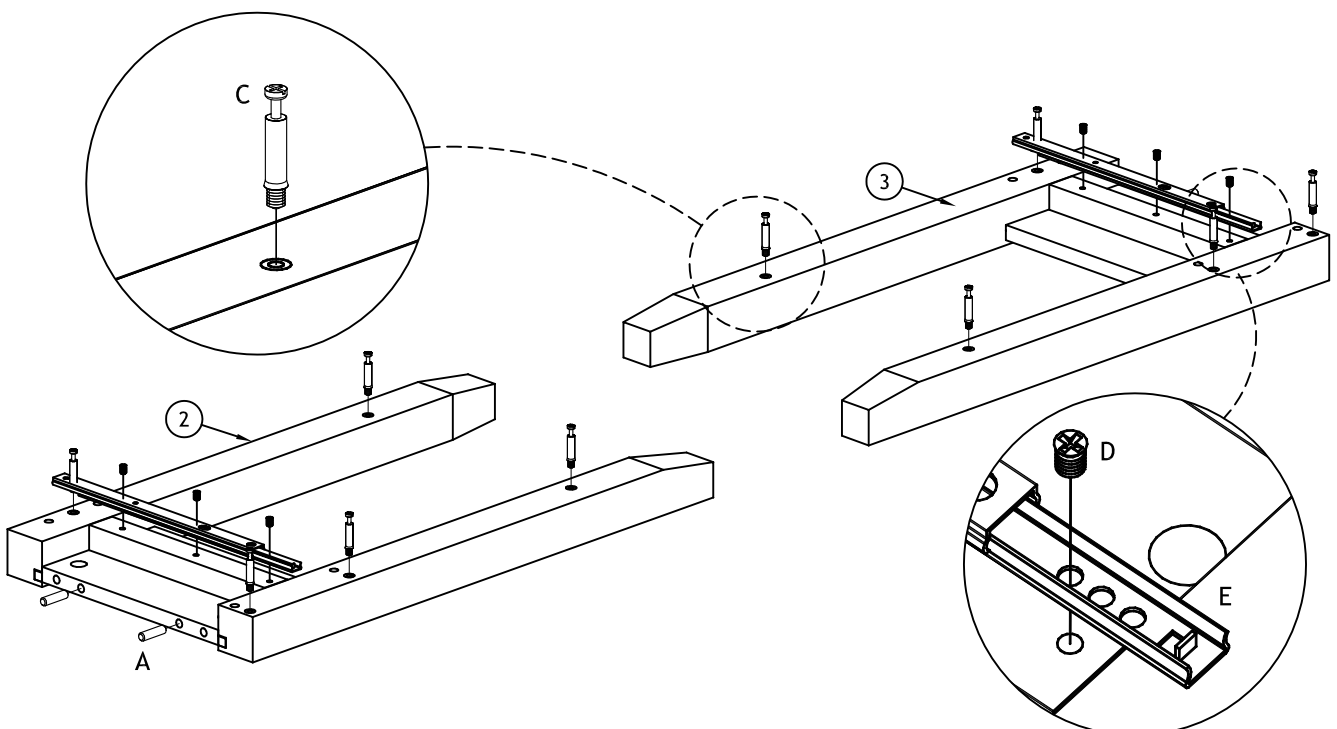
# LINNEA BED SIDE TABLE



1

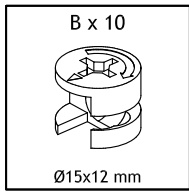


2

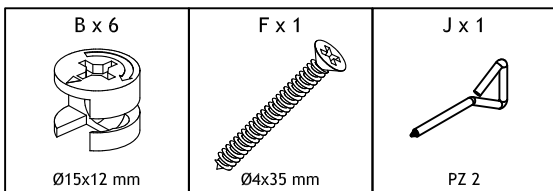
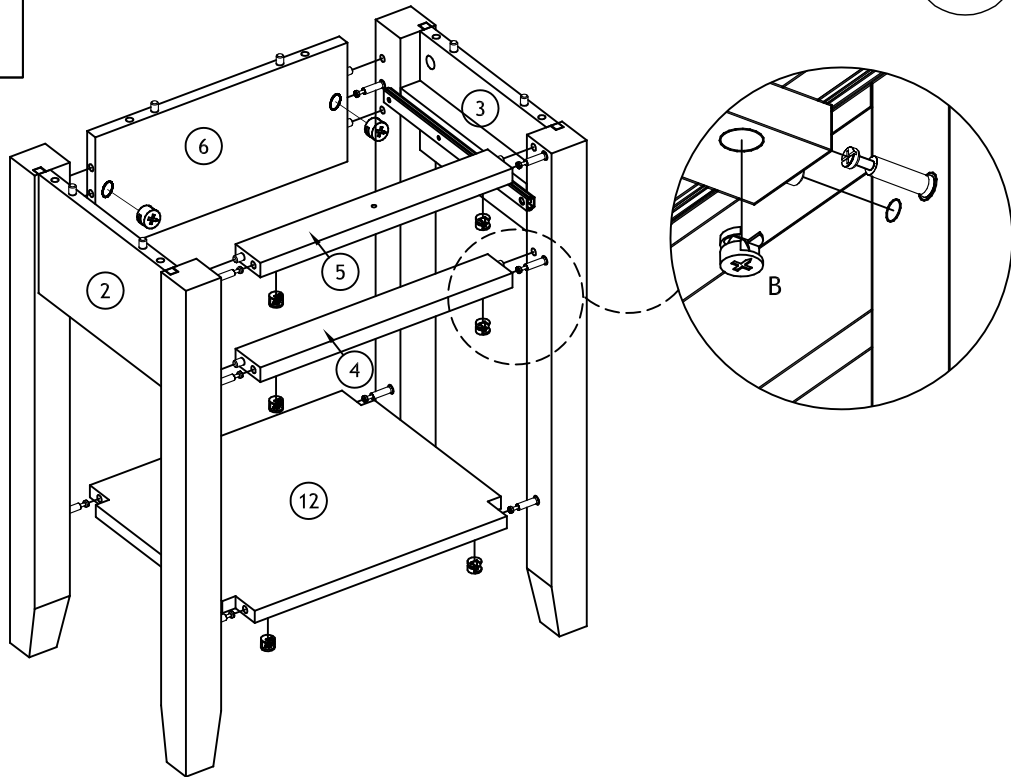


3

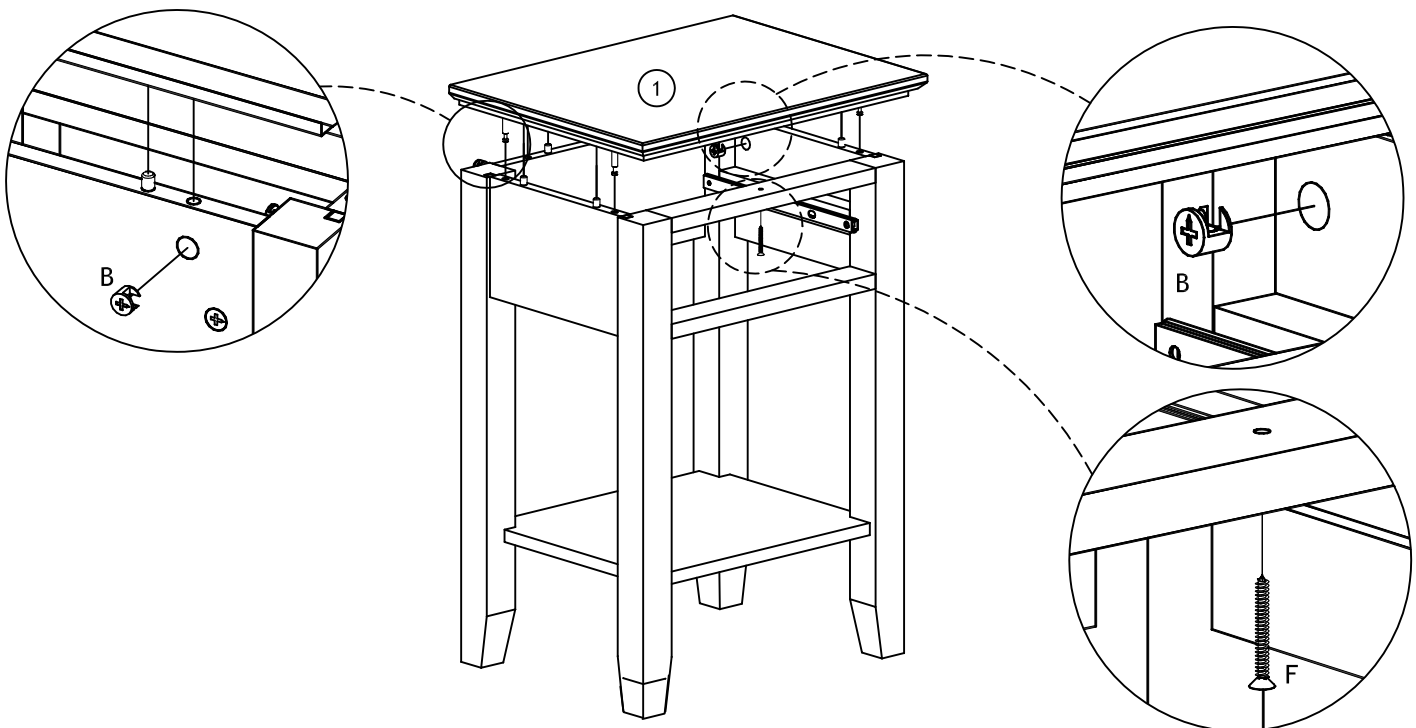
# LINNEA BED SIDE TABLE



3

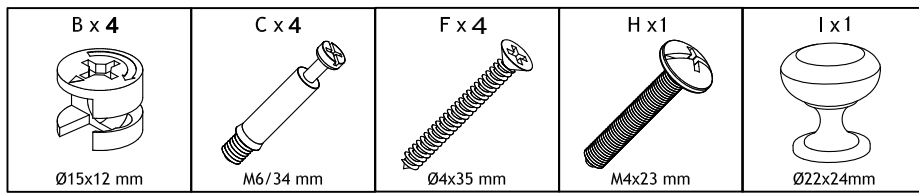


4

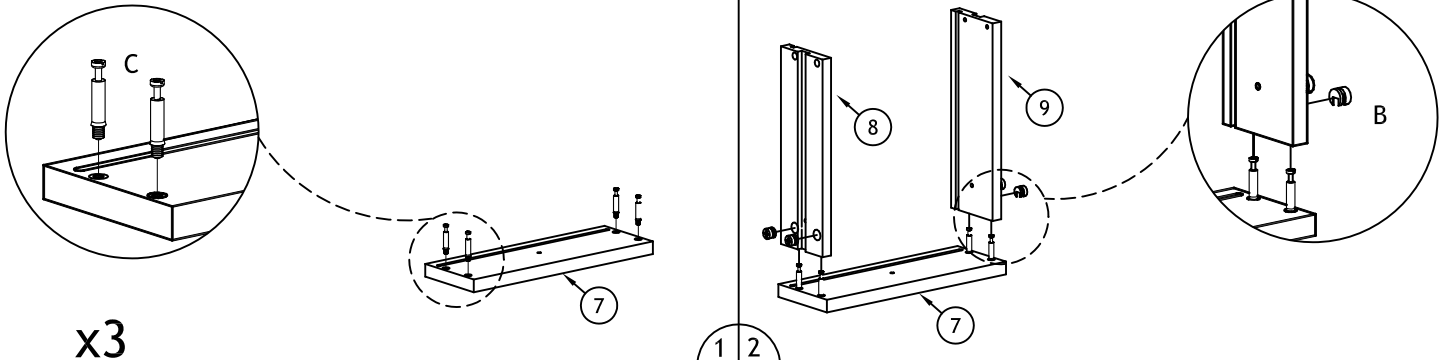


4

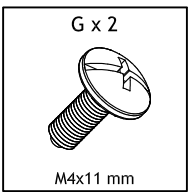
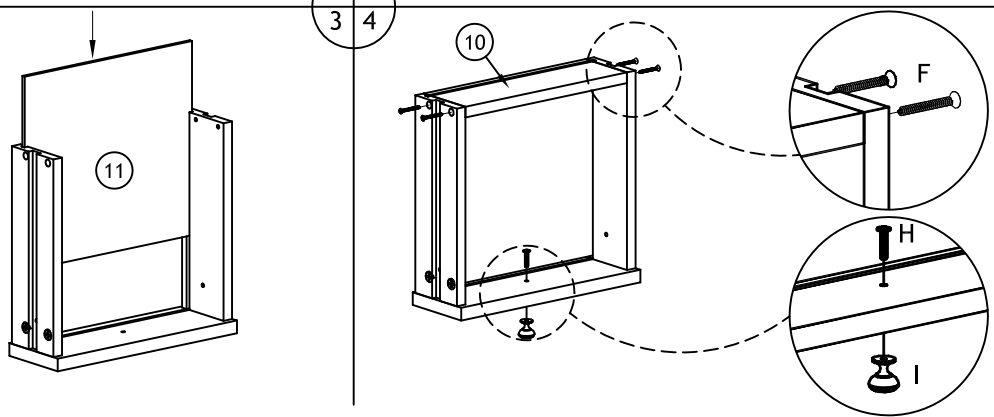
# LINNEA BED SIDE TABLE



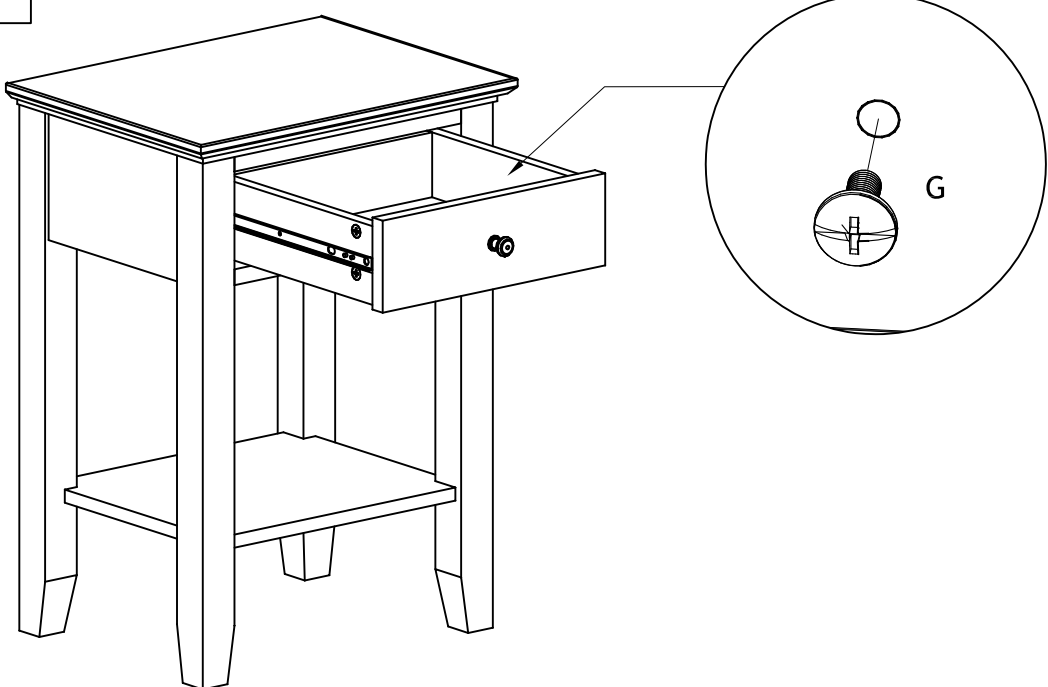
**5**






1 2  
3 4



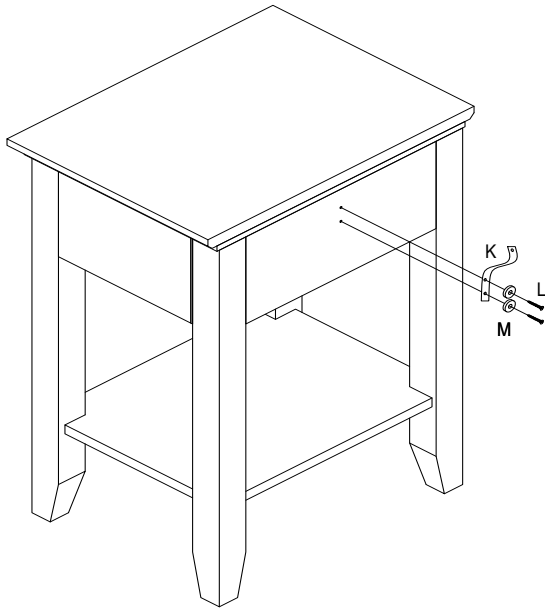
**6**



# LINNEA RANGE

K x1  150x26 mm	L x2  Ø4x15 mm	M x 3  M4/Ø12x1mm
--	---	--

I



7

II

