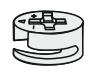
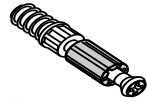
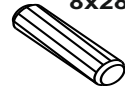
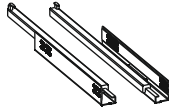
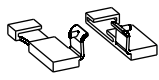




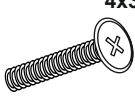

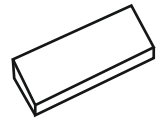
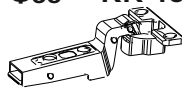
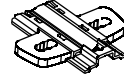

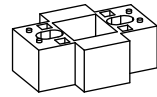
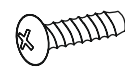
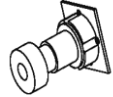



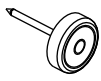
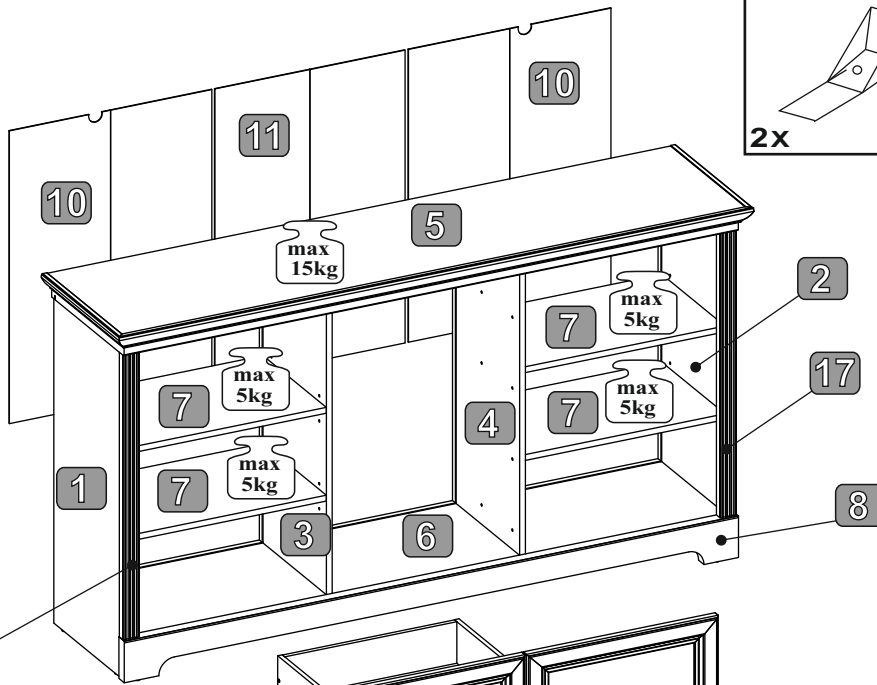
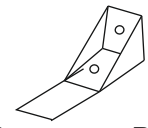

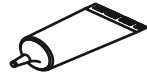







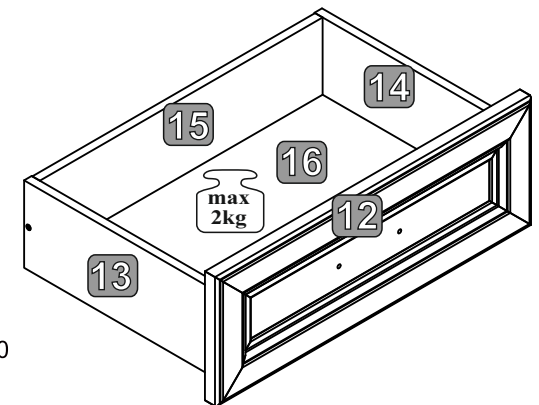
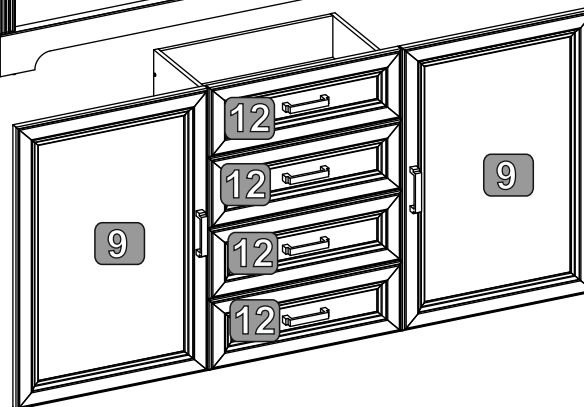
 15x12 12x T02	 12x9,5 8x T12	 20x T01	 8x28 48x D01	 4x L+R 4x L+R P05	 4x L+R 4x L+R B12	 6x11 16x W12	 5x40 8x W16	 Z3 1x K02	 6x U39
 4x30 4x Y02	 4x16 8x Y04	 8x LAM	 Φ35 KR-15 4x Z25	 4x Z21	 3,5x16 20x W30	 4x DY2	 6,3x32 8x W19	 2x S03	 16x E01
 34x R01	 8x C01	 6x S01					 2x B01	 2x P01	 4x L01
 Z4 1x K01	 7x50 4x W50						 2x F01	 4x13 4x W07	
							 3x T04	 2x F11	
							 3x T05		

NR	DIM	QTE	COLLI
1	833x350x15	1	1/3
2	833x350x15	1	1/3
3	728x349,5x15	1	1/3
4	728x349,5x15	1	1/3
5	1654x406x65	1	2/3
6	1558x350x15	1	2/3
7	520x330x15	4	1/3
8	1599x106x28	1	2/3
9	720x499x22	2	3/3
10	747x527x2	2	1/3
11	747x495x2	1	1/3
12	499x177x22	4	3/3
13	300x120x12	4	3/3
14	300x120x12	4	3/3
15	448x120x12	4	3/3
16	459x300x2	4	3/3
17	727x42,5x22	2	1/3



0 10 20 30 40 50 60 70 80 90 100 110 120 130 140 150 160 170 180 190 200



1

[4x]

D01 13
D01 15
D01 14
T01 12

12x9,5 8x T12	8x T01	8x28 32x D01
---------------------	-----------	--------------------

T01

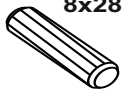
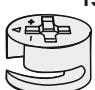



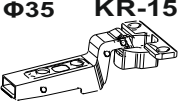
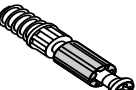
2

[4x]

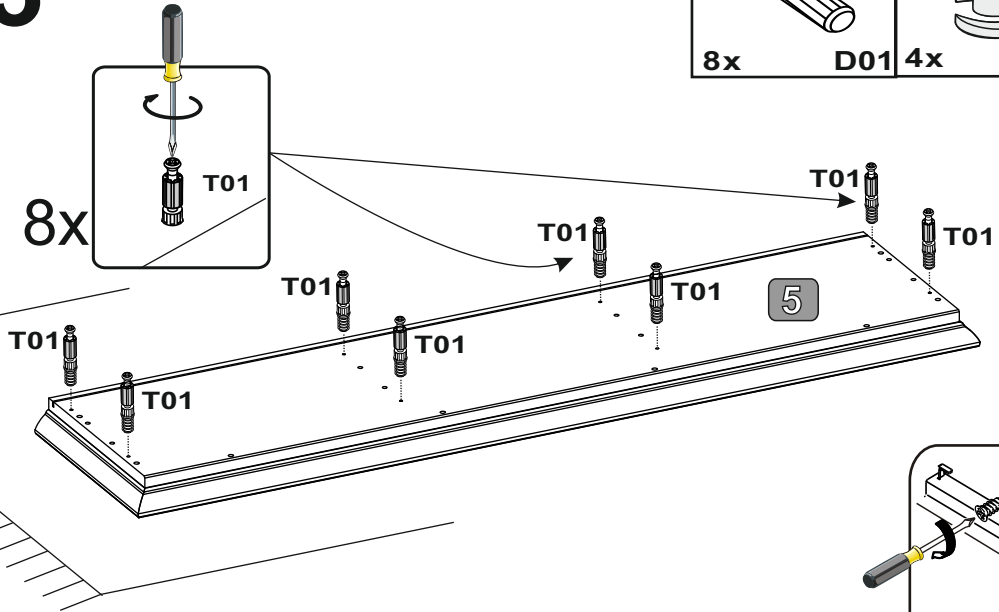
R01 13
R01 14
R01 15
R01 16
W16
K02

16x R01	5x40 8x W16	Z3 1x K02
------------	-------------------	-----------------

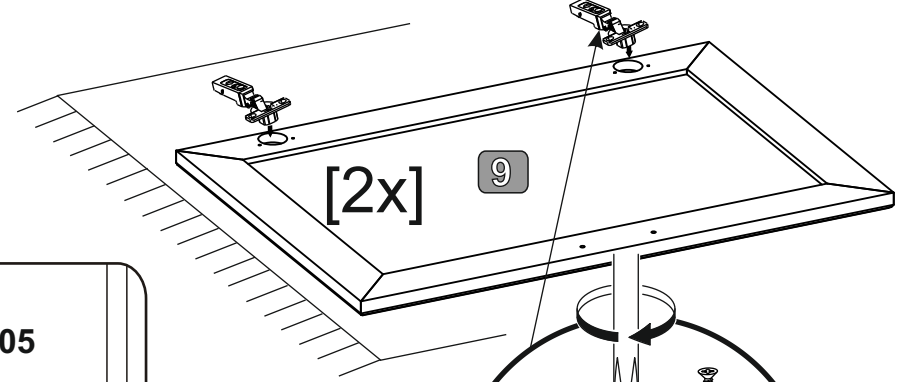
3

 8x D01	 4x T02	 16x W12	 4x L+R P05	 8x W30	 4x Z25	 8x T01
---	---	--	---	---	---	---

8x



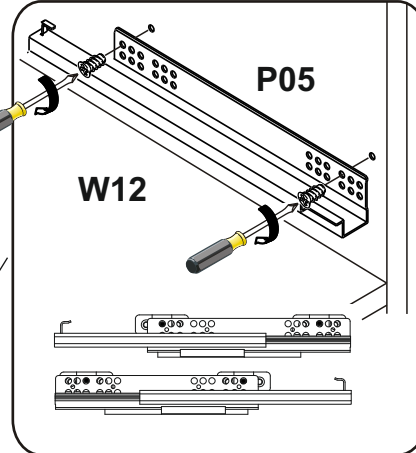
5



[2x]

9

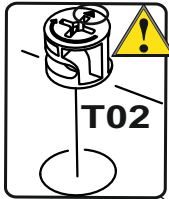
2x



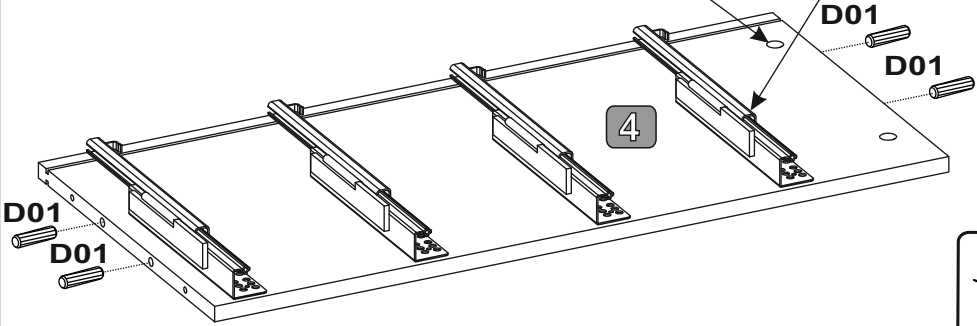
P05

W12

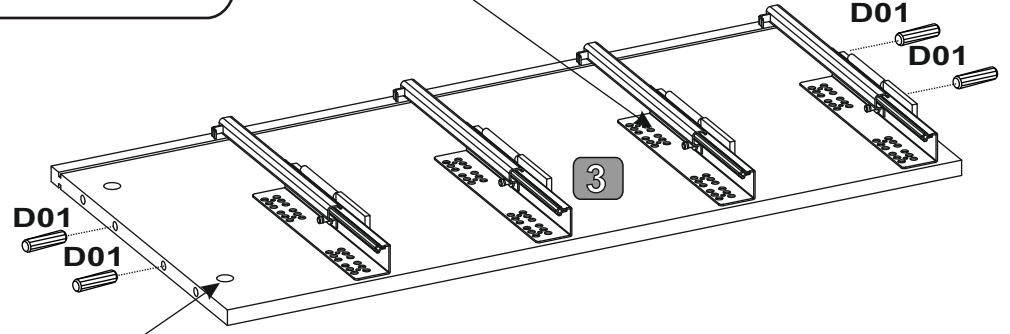
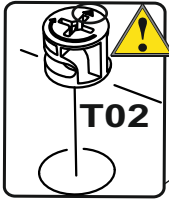
2x



4



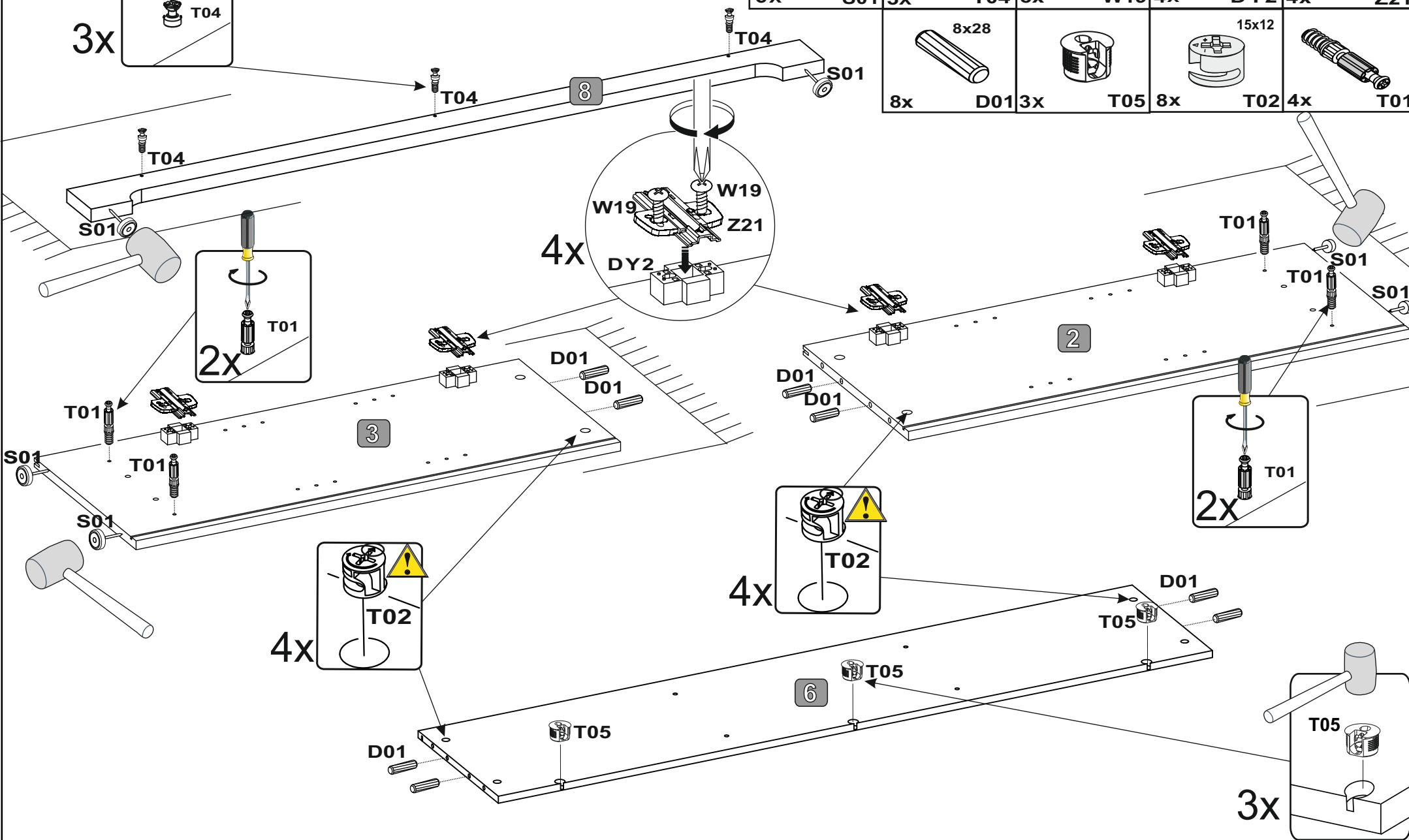
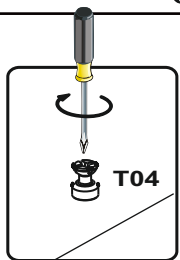
2x



3

4

3x



6x S01

3x T04

8x W19

6,3x32

4x DY2

4x Z21

8x D01

8x28

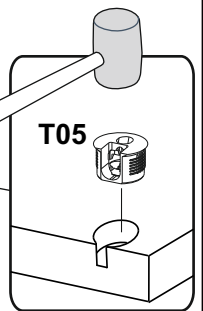
3x T05

8x T02

15x12

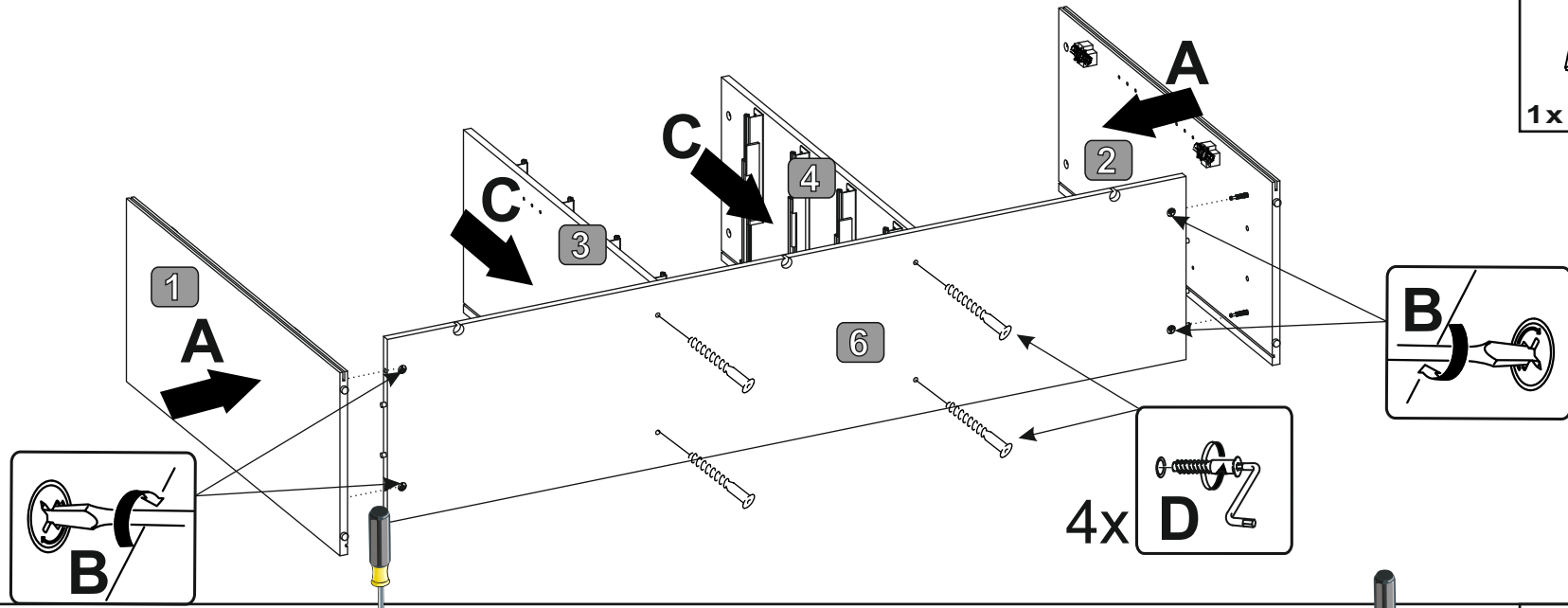
4x T01

3x



5

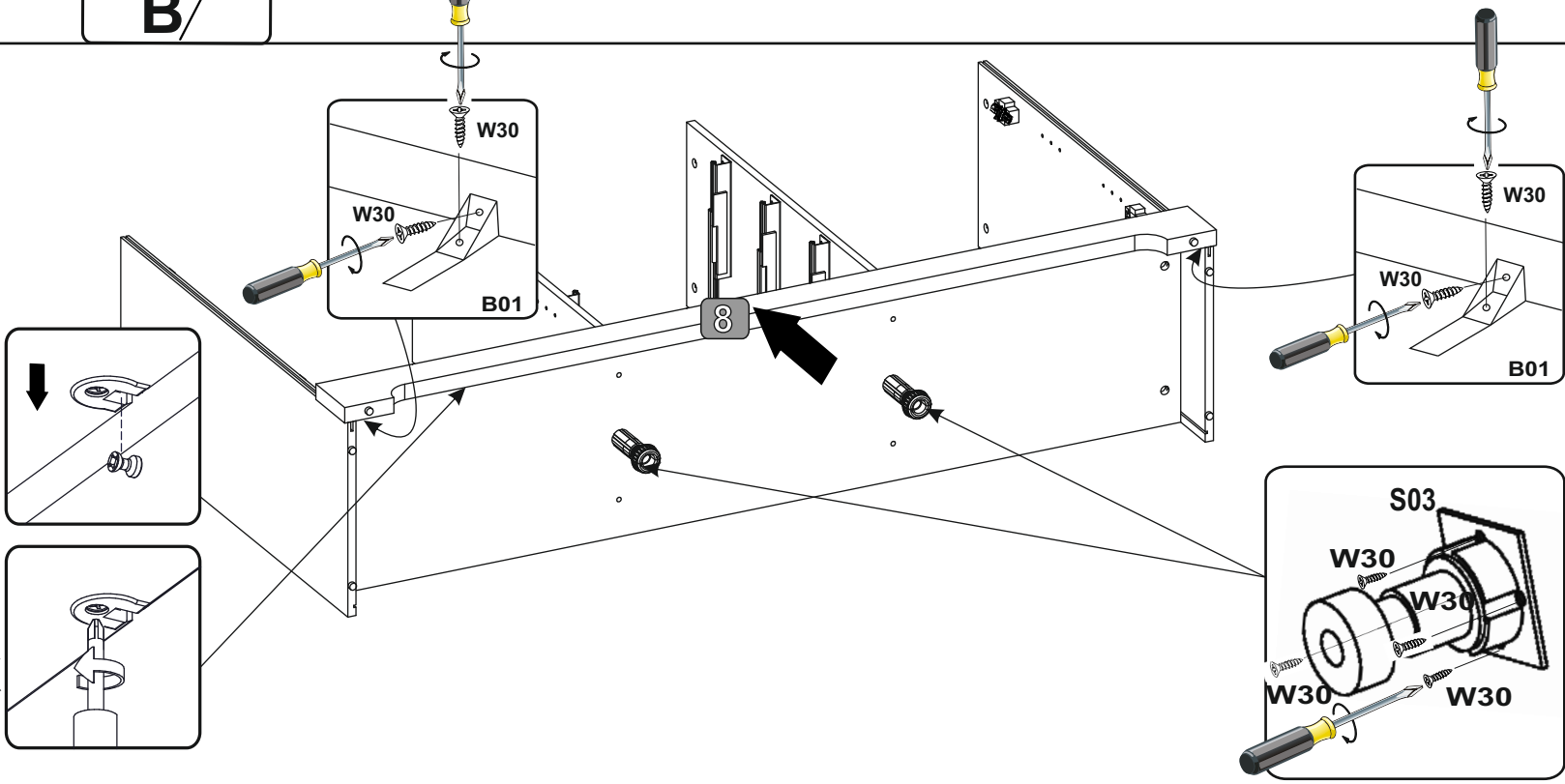
	Z4	7x50
1x	K01	4x W50



6

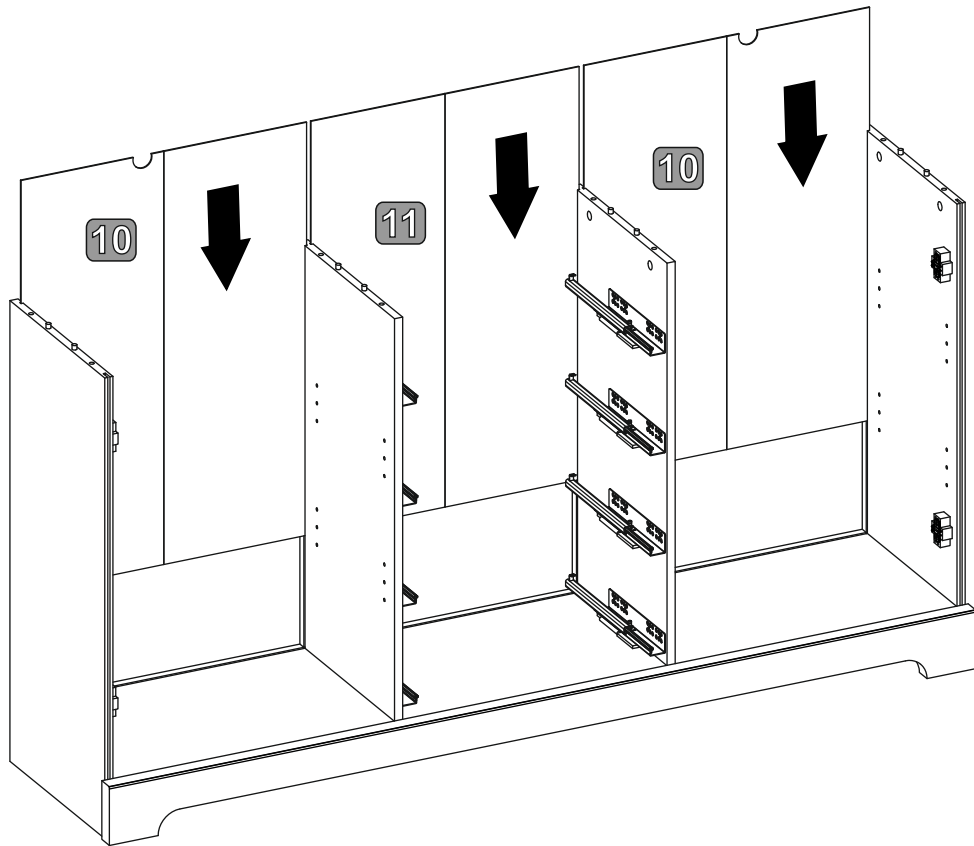
3,5x16	
12x W30	2x S03

2x B01

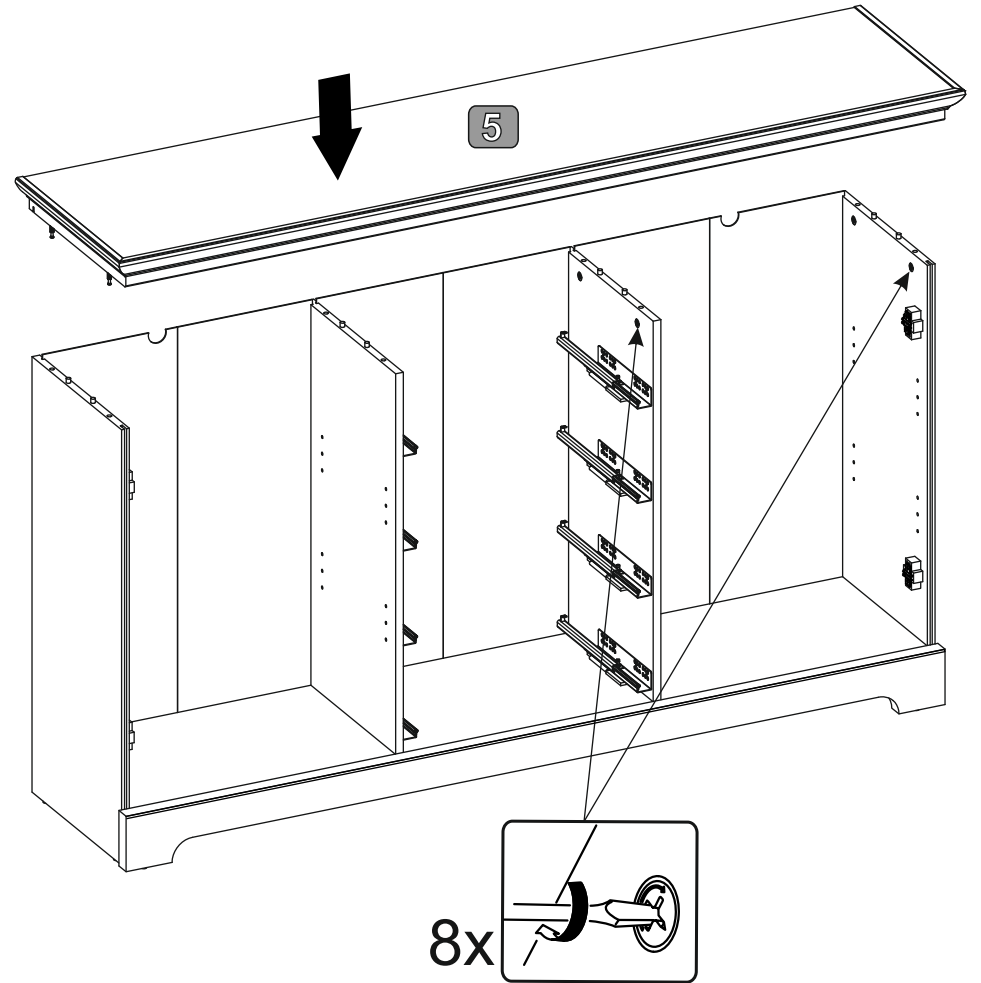


3x

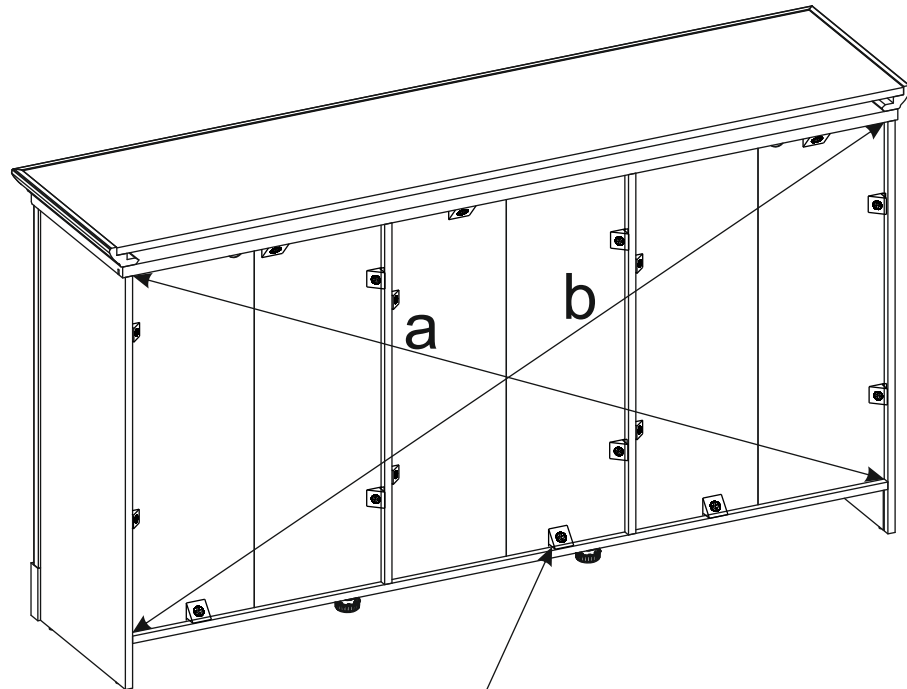
7



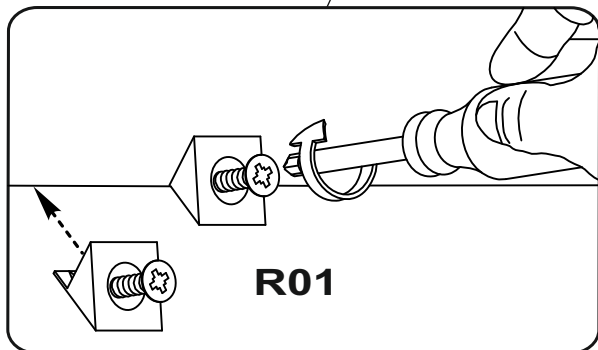
8



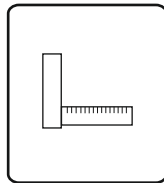
9



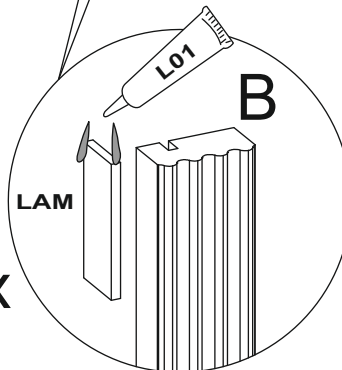
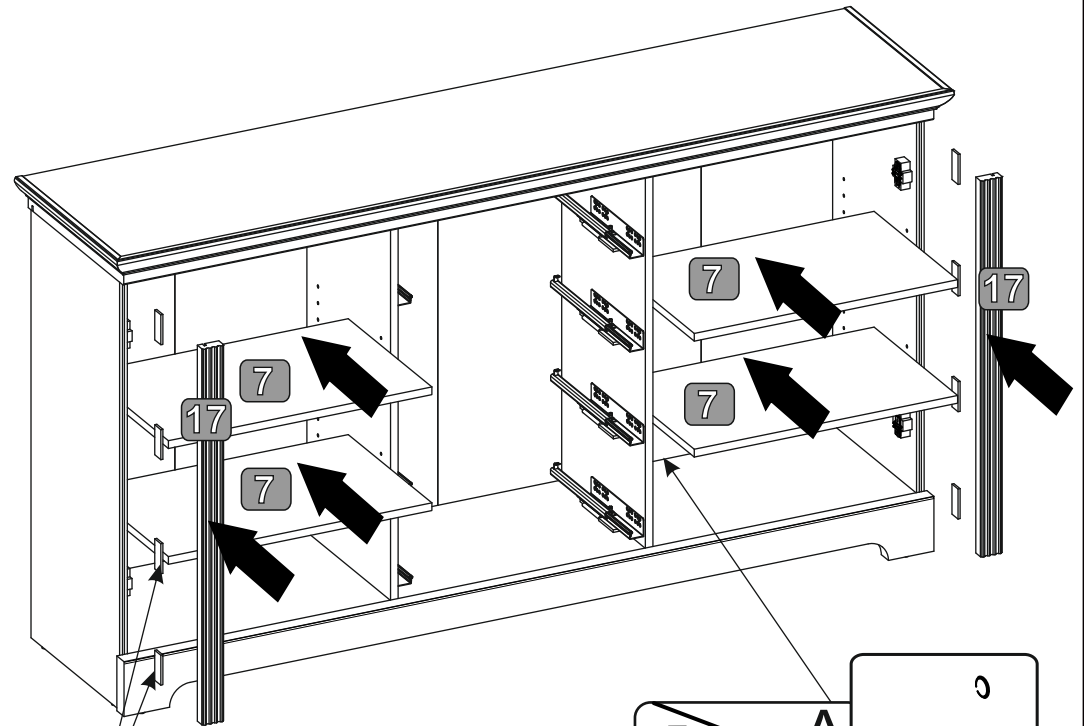
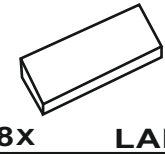
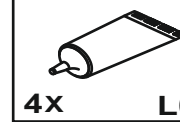
18x



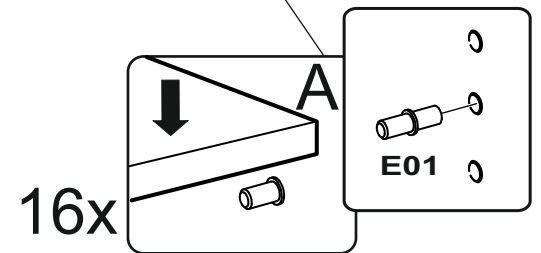
a=b








10

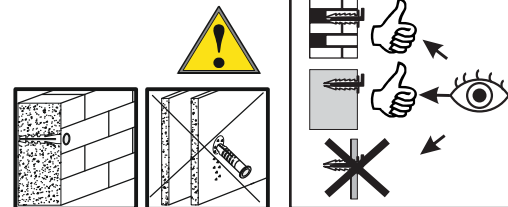
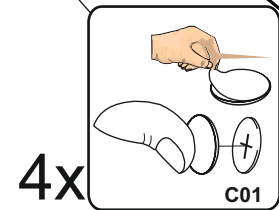
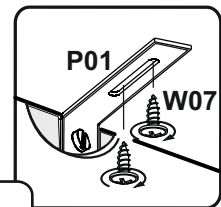
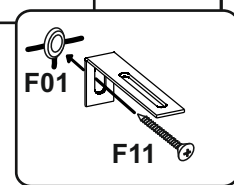
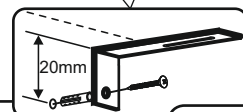
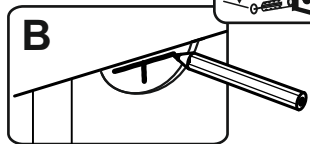
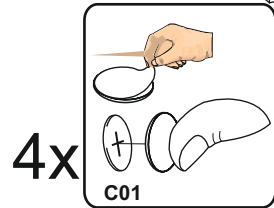
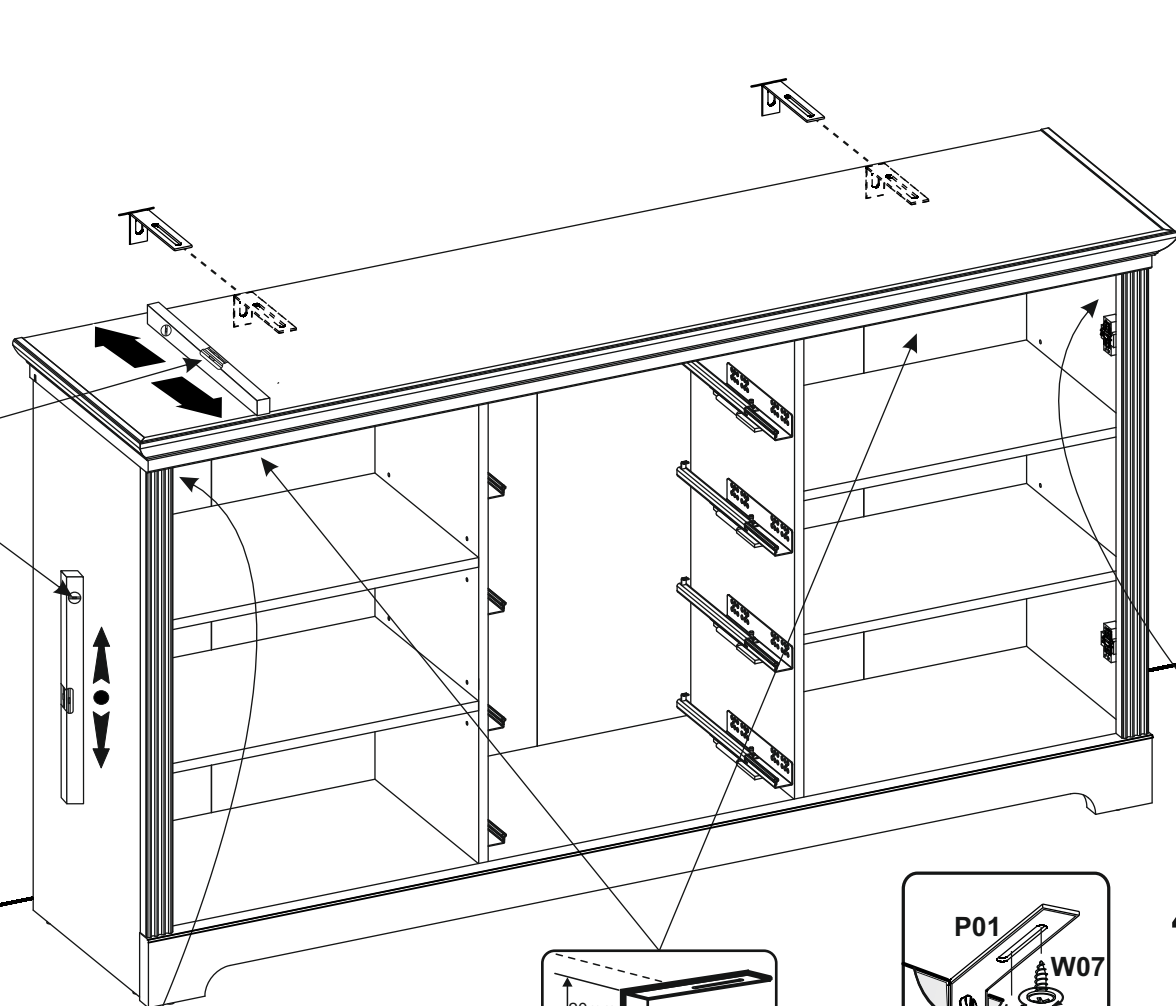
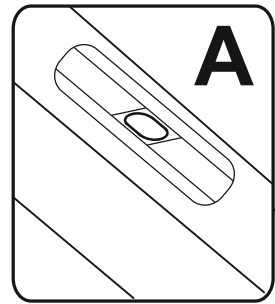


8x



11

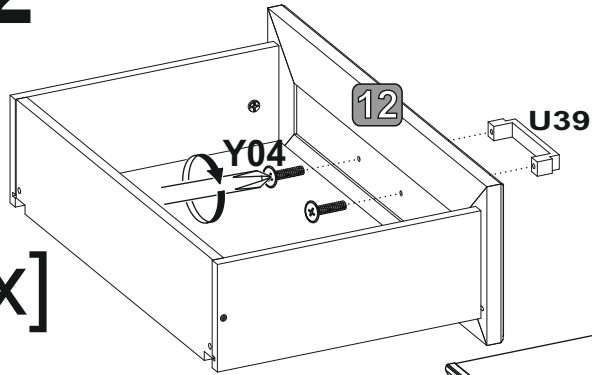
 8x C01	 4x13 W07	 2x F01	 2x P01	 2x F11
---	---	---	---	---



Warning symbols and handling instructions.

12

[4x]



4x L+R B12	6x U39
4x Y02	8x Y04

