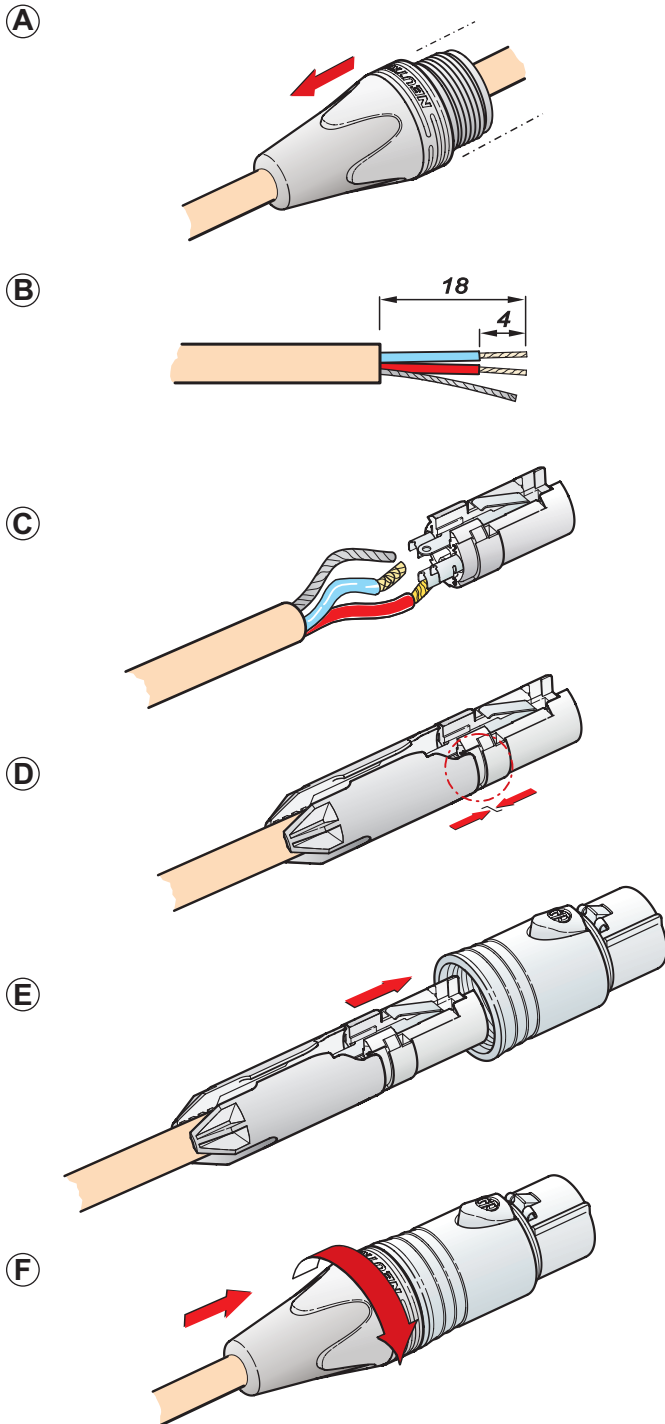




ASSEMBLY INSTRUCTION


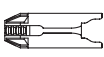
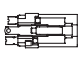
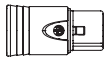
NC*FXX & NC*MXX | XLR Cable Connector




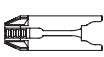
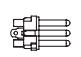

- A** Slide the boot onto the cable.
- B** Prepare cable as shown.
- C** Insert wires into the terminals and solder them.
- D** Put chuck onto the cable.
Attention: Pay attention to the guiding key.
- E** Slide insert and chuck together into the housing.
- F** Finish the installation by turning the bushing onto the connector.

ORDER OF ASSEMBLY

NC*FXX

			
bushing	chuck	insert	housing

NC*MXX

			
--	---	---	---

NEUTRIK AG	LI	T: +423 / 237 24 24	F: +423 / 232 53 93	NEUTRIK Vertriebs GmbH	DE/NL/AT	T: +49 8131 / 280 890	F: +49 8131 / 280 830
NEUTRIK Zürich AG	CH	T: +41 44 / 736 5010	F: +41 44 / 736 5011	NEUTRIK France	FR	T: +33 1 / 4131 6750	F: +33 1 / 4131 0511
NEUTRIK USA Inc.	USA	T: +1 732 / 901 9488	F: +1 732 / 901 9608	NEUTRIK Tokyo Ltd.	JP	T: +81 3 / 3663 4733	F: +81 3 / 3663 4796
NEUTRIK (UK) Ltd.	UK	T: +44 1983 / 811 441	F: +44 1983 / 811 439	NEUTRIK Hong Kong Ltd.	HK	T: +852 / 2687 6055	F: +852 / 2687 6052

Draft. Nr.: BDA 158 / 3102M1381 | Update: 12..03.2008 | Data subject to change without prior notice. ©2008NEUTRIK®. ALL RIGHTS RESERVED.