

Instructions of Safety and Warnings:

- Any failure to comply with the safety and installation instructions in this manual may cause serious bodily injury.
- Any incomplete observation of the instructions, warnings and additional information marked with the "Note" and "⚠" may result in serious damage to the system or its components.
- This product can be used by children aged from 8 years and above if they have been given supervision or instruction concerning use of the appliance in a safe way and understand the hazards involved. Children shall not play with the appliance. Cleaning and user maintenance shall not be made by children without supervision. Unplug the desk when the system isn't in use, and place the power plug out of children reach.
- Persons with reduced physical, mental abilities and or lack of experience and knowledge must not use the product, unless they're under supervision, understand the hazards involved or they have been thoroughly instructed in the use of the apparatus by a person who is responsible for the safety of these persons.
- Users should make sure that they never sit on the desktop in order to prevent serious bodily injury.



Electrical Safety Instructions:

The product is powered by electricity. In order to avoid burns, fire and electric shock, please read the instructions carefully.



Don't clean the product with water while the power is still connected.



Never operate the system if it's in moist environment or its electrical components have contact with liquids.



Don't disassemble or replace components while the power is still connected.



Don't operate the system if the control box makes noise or odor. Alterations of the given power unit and control box aren't allowed.



Never operate the system with a damaged cord or plug. Please contact your point of purchase to replace the damaged parts.



Other Safety Instructions:

- Clear up all obstacles within the height adjustment range.
- Don't leave the cords or plug unorganized in order to prevent tripping hazards.
- Any attempts to reconstruct the desk frame aren't allowed.
- Don't add anything to the adjustable junctions of the desk frame.
- Outdoor use is prohibited.



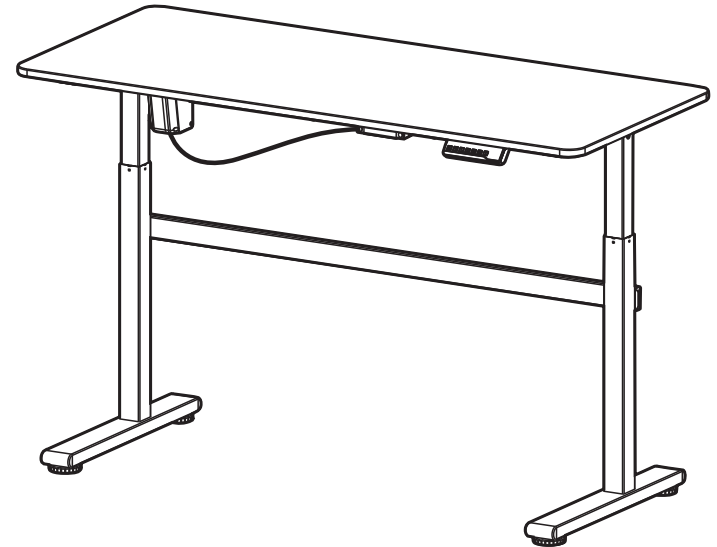
Disposal: The product with this mark indicates that this product shouldn't be disposed with other household wastes throughout the EU. To prevent possible harm to the environment or human health from uncontrolled waste disposal, recycle it responsibly to promote the sustainable reuse of material resources. To return your used device, please use the local recycle service or contact your point of purchase to withdraw the product.

EN

ELECTRIC SIT-STAND DESK

Instruction Manual

ER-434



ergo office



EN / PL / DE / FR / ES / IT / NL / CZ / RO

<http://centrumelektroniki.pl/images/43161-M.pdf>

Digital Control Panel

User Guide

1. Operating Control Panel

Note: If the control panel is used for the first time, please reset the system before any normal operation.

Reset the System:

- Press and hold the "▽" button until the display shows "r-5c". The desk start moving downward to the lowest position.
- Never release the button, the desk will move upward a little and the display shows the current desk height. The reset process is finished.

Note: Unplug and Re-Plug the power to your desk whenever you want to reset the system.

Height Adjustment:

- Press and hold the "△" / "▽" button to lift/lower the desk to your desired height.

Timer:

- Press "T" to be reminded to change position. Each press of the "T" button leads to an 0.5 hour increment. The maximal setting of time is 2 hours.
- After setting the timer successfully, the indicator light on the top right will be **on**.
- The unit emits 3 beeps to remind the users when the set time is up.
- To erase reminder, press the "T" button until the indicator light on the top right is **off**.

Memory Setting:

- To store a memory position, press "M" button and the display will flash "5-". Press the button 1 / 2 / 3 while flashing.
- To recall a previously stored position, directly press 1 / 2 / 3 button and the desk starts moving to the desired memory position. Press any button to stop the movement.

Switching Controller Display Height Between CM and INCHES

- Press and hold the "T" button approximately 3 seconds.
- When changing to Metric (CM) you will hear a single audible beep and when changing to Imperial (IN) you will hear two beeps.

Note: Unplug and Re-Plug the power to your desk whenever you want to make a change to this setting.

Power-Saving Mode:

- The system will be in Power-Saving Mode with display being dark when there are no activations made within 1 minutes. Press any button to activate the control panel.

Collision Avoidance Settings:

- Press and hold the "M" and "T" buttons together for 5 seconds until you hear the controller beeps twice indicating you are in the Collision Avoidance Settings Mode. The screen of the controller will display the current sensitivity level (level 3 by default). Press the "△" or "▽" button to adjust the desired sensitivity level. When you are finished selecting the new level, press the "M" button to save the sensitivity level. The Collision Avoidance Settings Mode will automatically exit if there is no further activity within 8 seconds.

Note: You must press the "M" button within 8 seconds of selecting the new sensitivity level to save the new setting or the unit will revert to the previous setting level.

Collision Avoidance Sensitivity Levels: 0-5

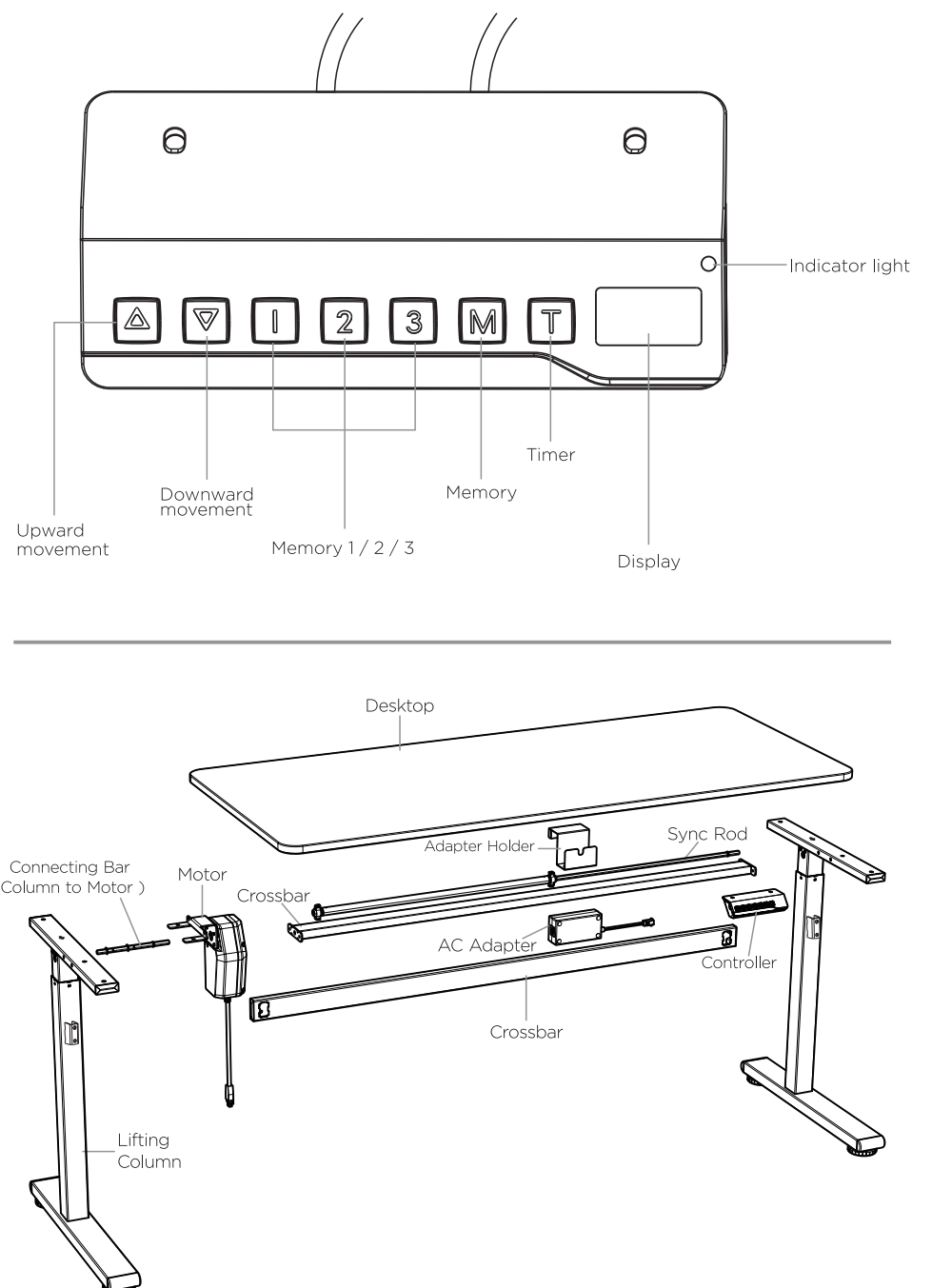
0: Turn Off Collision Avoidance.

1-5: Sensitivity Setting - Level 1 is the lowest sensitivity and the level 5 is the highest sensitivity.

2. Error Code Trouble-Shooting

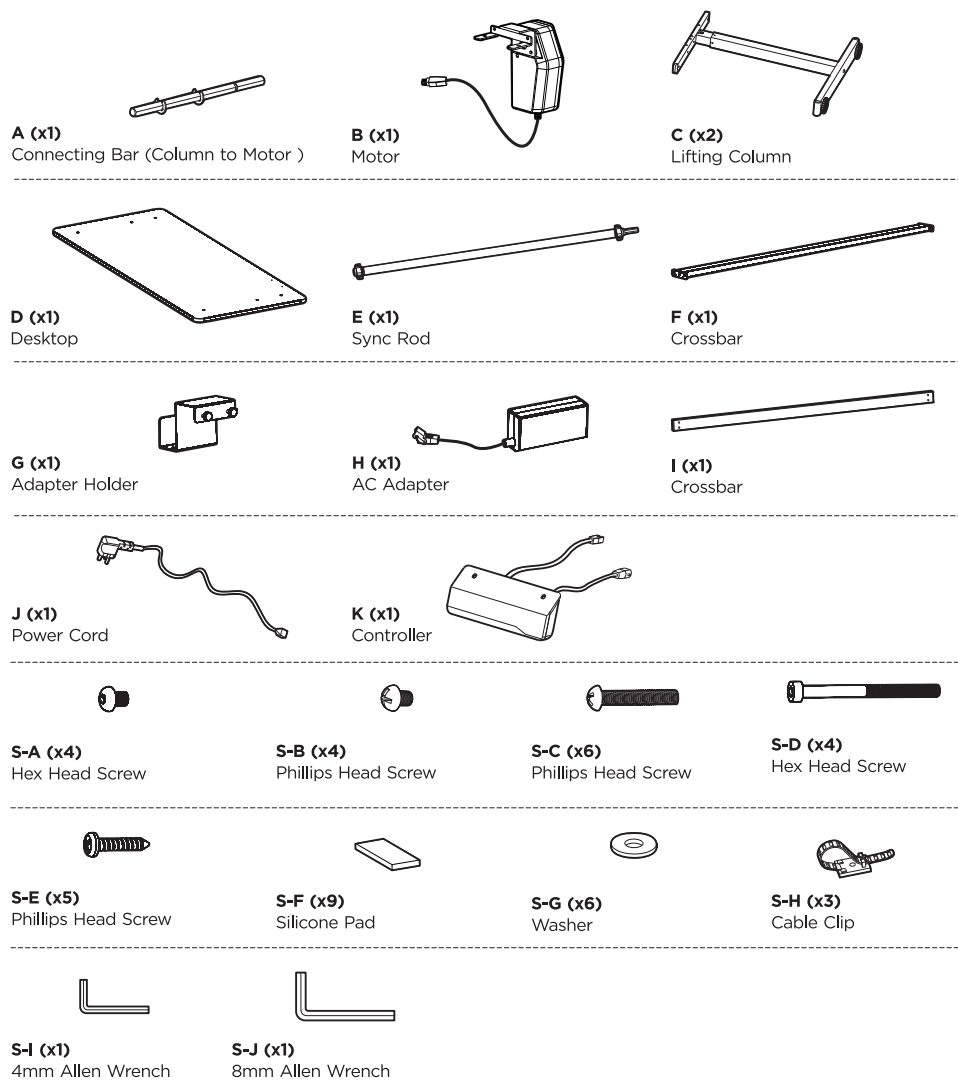
Error Code	Solutions
ER1	Please check whether the desk is overload. Remove the items. If not, please unplug and re-plug the power. If problem still exists, please contact your purchase for further support.
ER2	Allow your desk to cool down and remain idle for approximately 20 minutes. If problem still exists, please contact your purchase for further support.
HOT	Allow your desk to cool down and remain idle for approximately 20 minutes. If problem still exists, please contact your purchase for further support.
ER3	The cables were disconnected. unplug and re-insert the cables between the columns and the AC Adapter. Unplug and re-plug the power, then reset the system. If problem still exists, please contact your purchase for further support.
ER5	There are two possibilities: 1. Make sure you are using a Genuine AC Adapters. 2. Overload has occurred. remove the items from the desktop. Unplug and re-plug the power. If problem still exists, please contact your purchase for further support.

NEVER unplug the power or reset the system when the system is in overload or thermal protection mode.



Checklist and Installation

Please check all of the components shown in the component checklist. If any of the components are missing or damaged, contact your point of purchase for a replacement.



What tools are needed to assemble the desk frame?

Weight Capacity
50kg (110lbs)

Power Input
(100-240V)

Operation Temperature
(-5°C-+40°C)

What important specifications should know before installation?

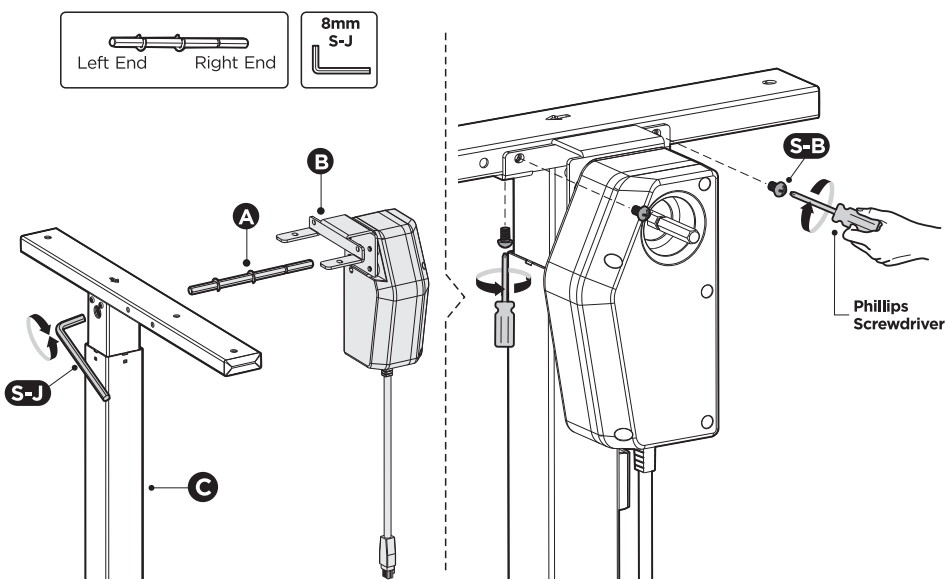
Bubble Level

Allen Wrench
(Included)

Drill

Phillips Screwdriver

1. Attaching Motor to the Lifting Column

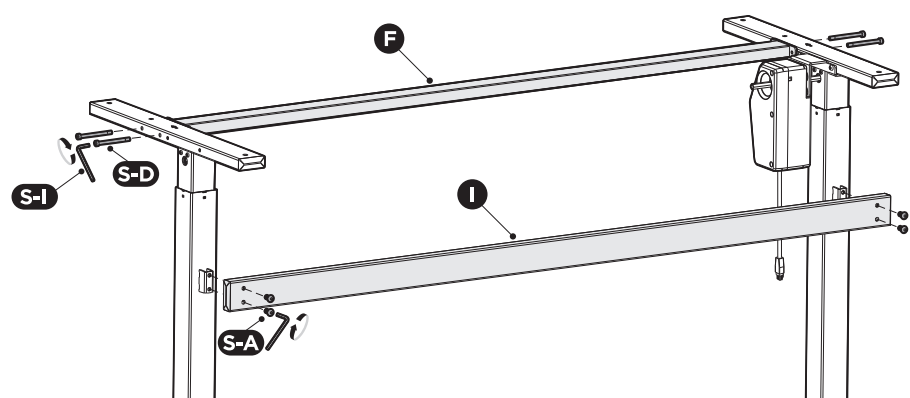


- Insert the right end of the **Connecting Bar A** into the hex socket shaped mounting hole on the **Motor B**.
- Insert the left end of the Connecting Bar to the hex socket shaped mounting hole on the **Lifting Column C**. There is no corresponding relation between the motor and lifting columns.
- Note:** If the mounting hole on the lifting column does not correspond to the connecting bar, precisely adjust the mounting hole using **8mm Allen Wrench S-J** to match each other.
- Once inserted, attach the Motor to the Lifting Column with **2 Screws S-B** from the side of the column and **2 Screw S-B** from below using **Phillips Screwdriver**.

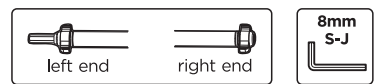
2. Attaching the Crossbars

Attach the **crossbar I** to the middle of the column using **4 screws S-A** prior to attaching the **crossbar F** to the top of the columns using **4 screws S-D**.

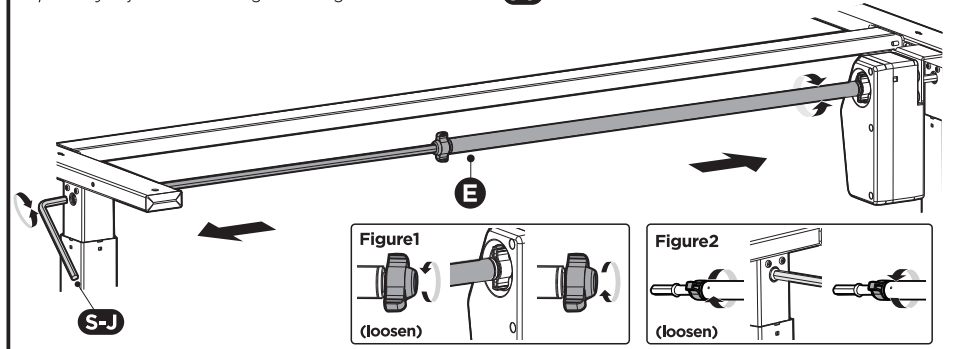
4mm
S-I



3. Assembling the Sync Rod



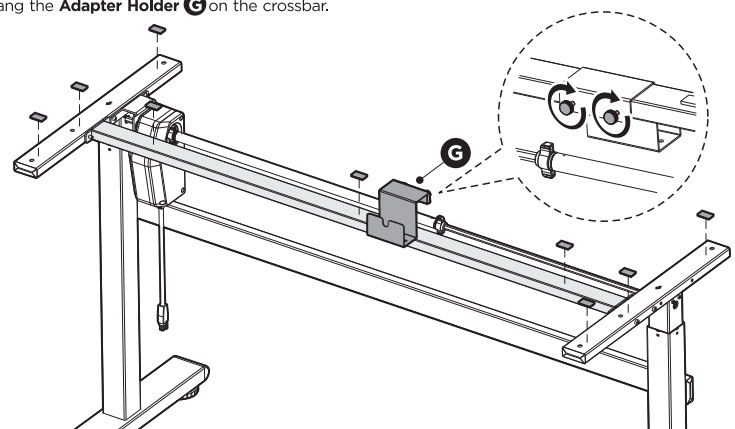
- Loosen the knob at the right end of the **Sync Rod E** and attach to the motor spindle as shown in **Figure1**. Then tighten the knob.
- Loosen the knob at the left end of the Sync Rod and pull out the inner bar to match the length of the desk.
- Insert the inner bar of the Sync Rod into the hex socket shaped mounting hole on the Lifting Column as shown in **Figure2**. Then tighten the knob.
- Note:** If the mounting hole on the lifting column does not correspond to the sync rod, precisely adjust the mounting hole using **8mm Allen Wrench S-J** to match each other.



4. Attaching the Desktop

- Stick **9 Silicone Pads S-F** to the positions as close to the frame holes as shown in the illustration below.
- Hang the **Adapter Holder G** on the crossbar.

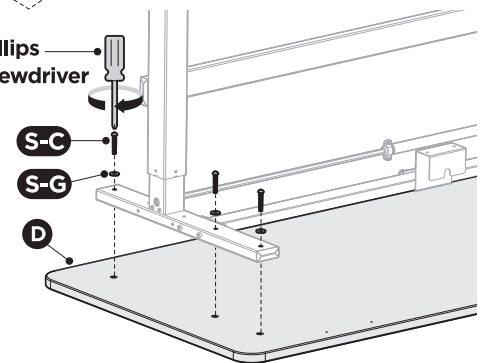
S-F



CAUTION: At least two people are required when turning over the desk, or serious bodily injuries might occur.

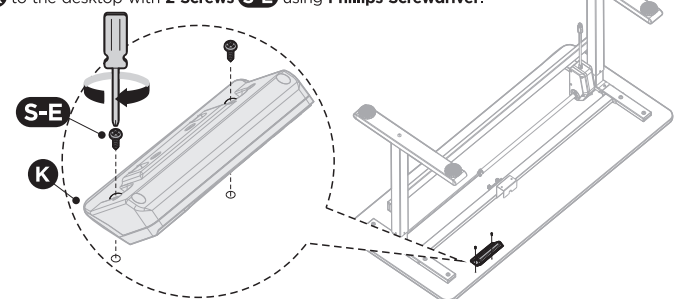
- Carefully place the **Desktop D** upside down on the floor as shown.
- Turn over the assembled desk frame with the help of another person.
- Align the mounting holes found on the desktop with the holes found on the desk frame.
- Insert and tighten the **6 Screws S-C** and **Washers S-G** with **Phillips Screwdriver**.

Phillips
Screwdriver



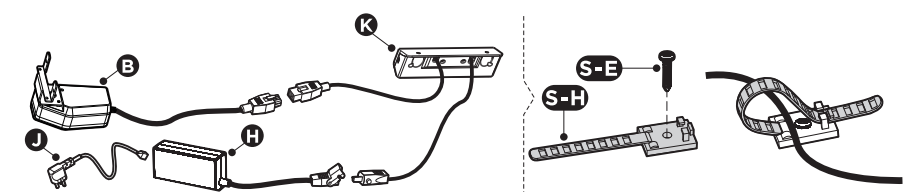
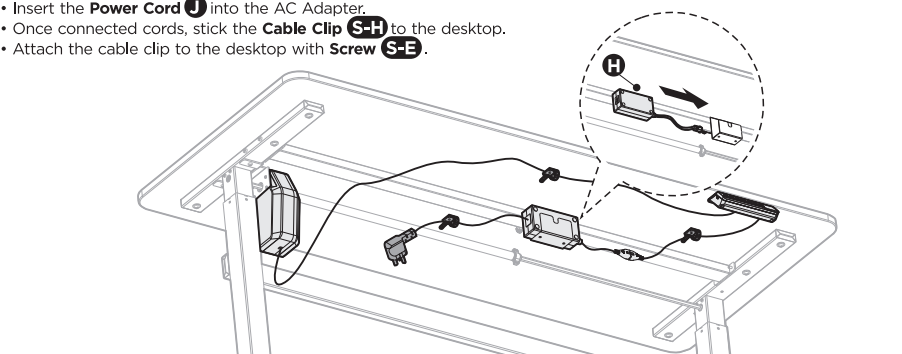
5. Attaching the Controller

- Attach the **Controller K** to the desktop with **2 Screws S-E** using **Phillips Screwdriver**.



6. Attaching the AC Adapter

- Turn over the desk with the help of another person.
- Slide the **AC Adapter H** to the Adapter Holder.
- Connect the **Controller K** with the **AC Adapter H** and **Motor B** as shown.
- Insert the **Power Cord J** into the AC Adapter.
- Once connected cords, stick the **Cable Clip S-H** to the desktop.
- Attach the cable clip to the desktop with **Screw S-E**.



7. Level Adjustment

There are two adjustable foot pads under each foot. If the floor isn't even, simply turn the pads to make the desk stable.

Tip: Use a **bubble level** to check if the desktop is even. Using the desk for the first time, you will need to **reset the system**. Please refer to **Digital Control Panel User Guide**.

