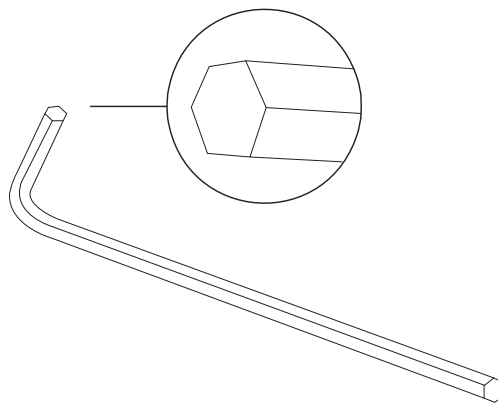


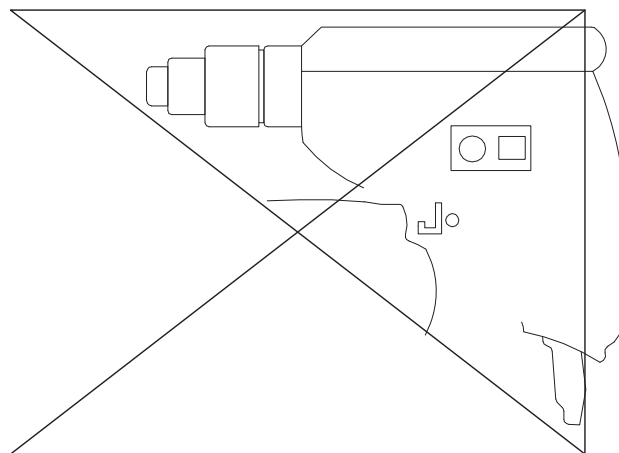
Attention: Don't tighten the screw before all screws are in place

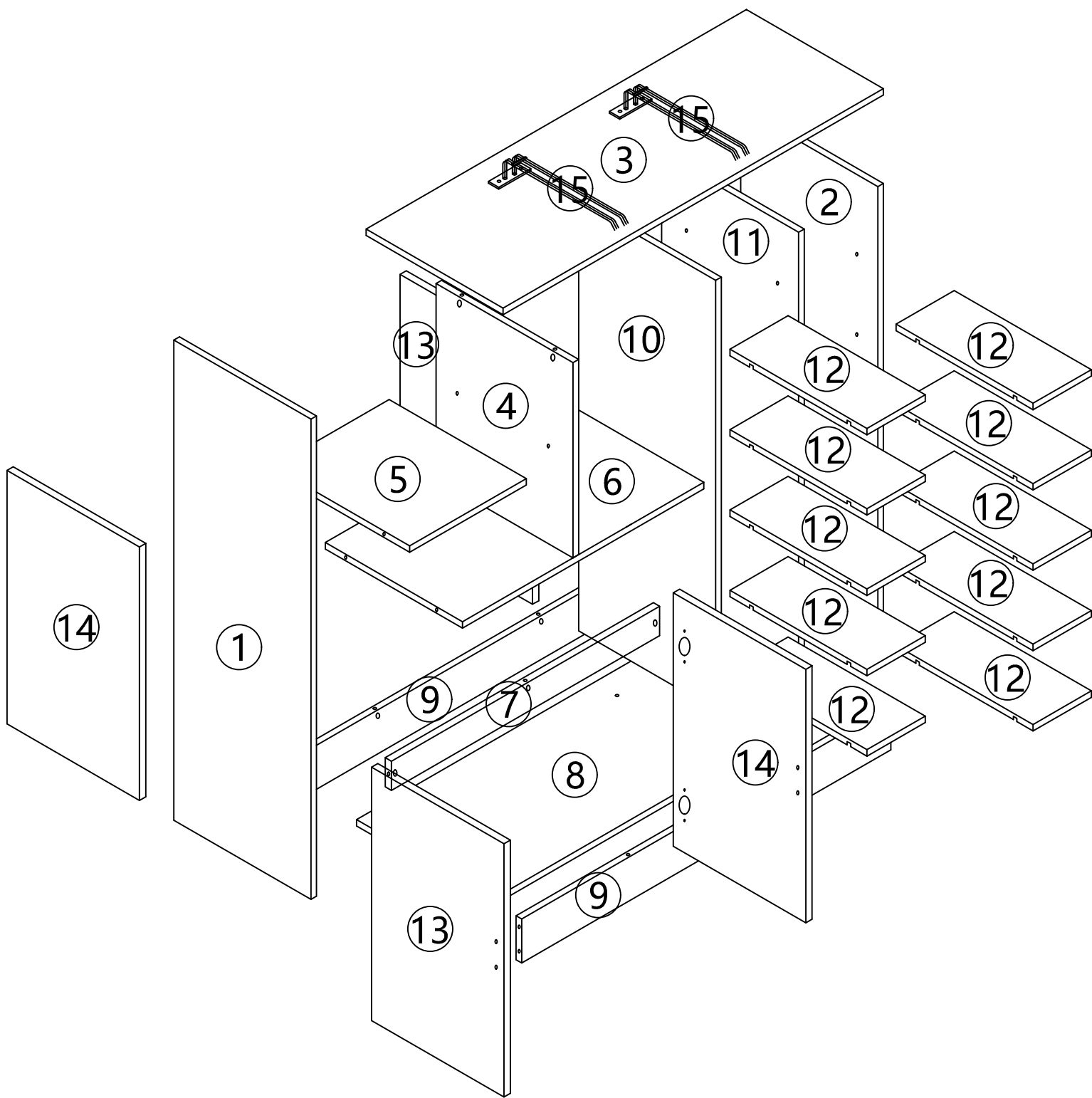
# General Assembly Guidelines

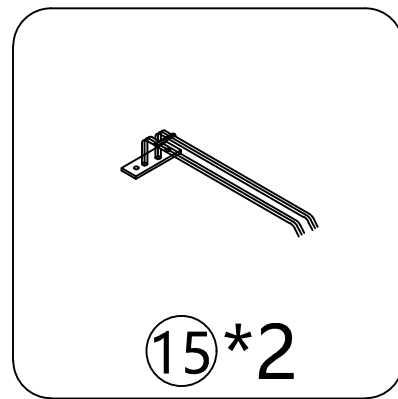
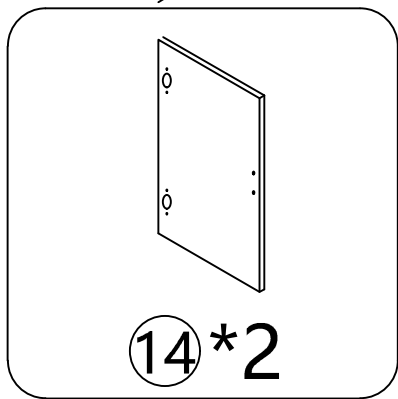
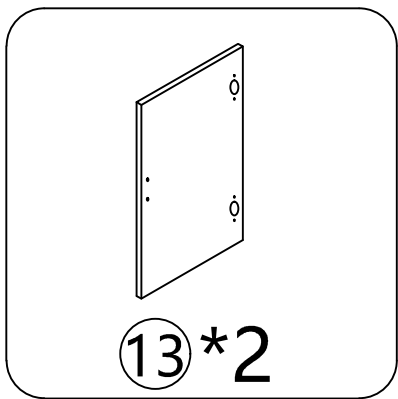
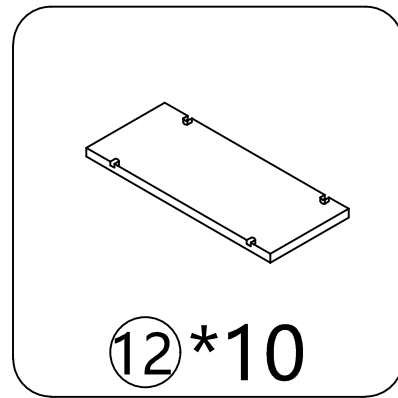
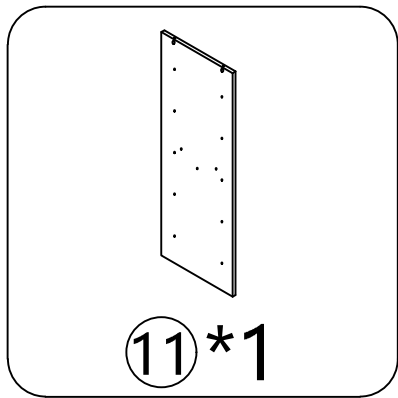
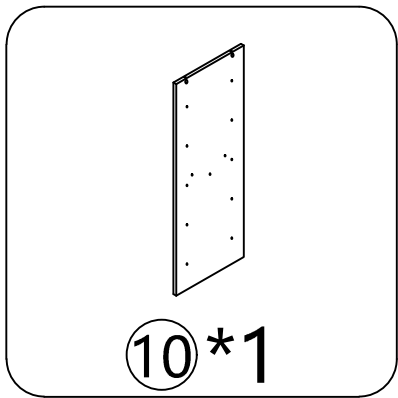
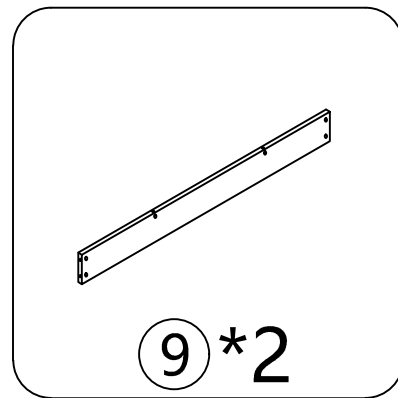
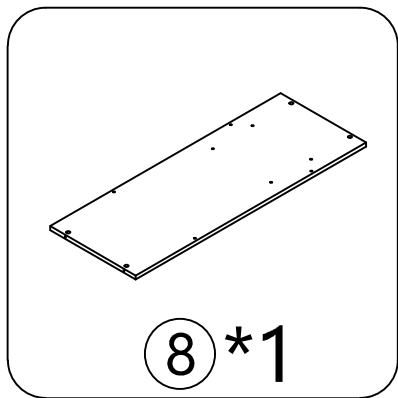
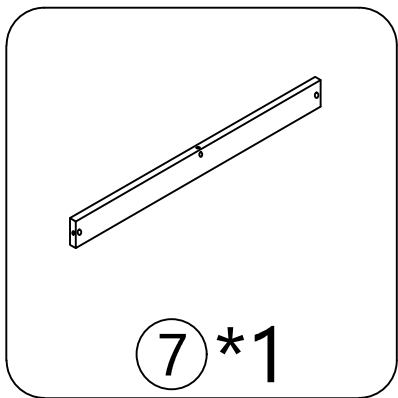
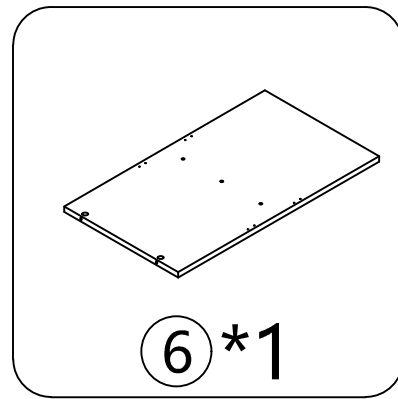
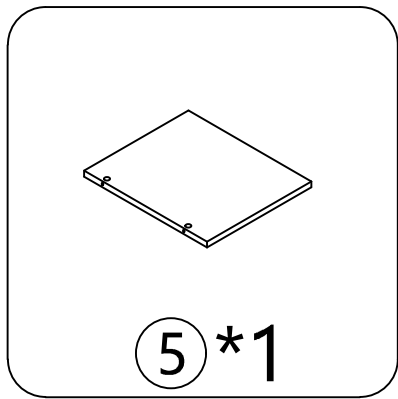
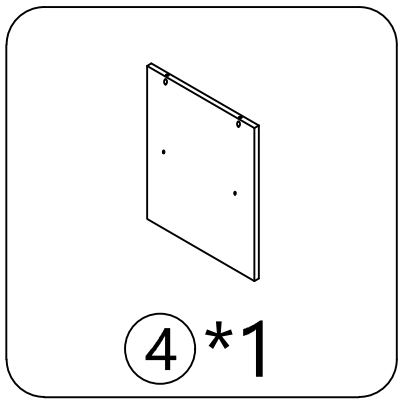
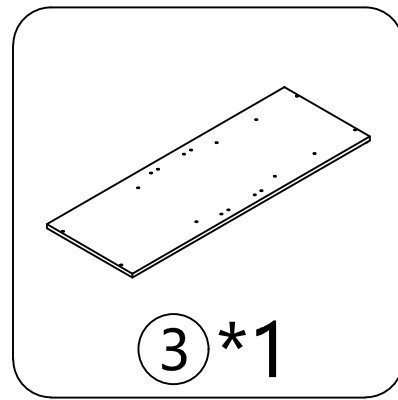
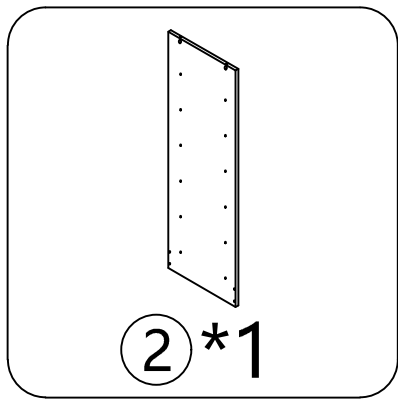
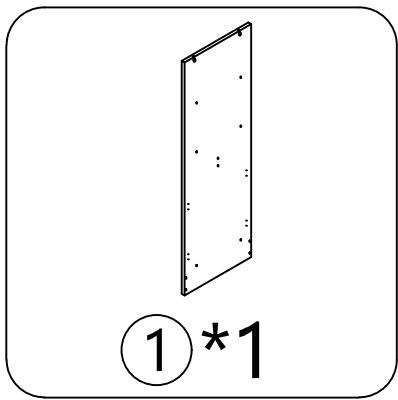
- I. Ensure that all parts and hardware are available before beginning assembly.
- II. Follow each step carefully to ensure the proper assembly of this product.
- III. Two people are recommended for ease in the assembly of this product.
- IV. The three main types of hardware used to assemble this product are : wood dowels , screws and bolts.
- VI. A Phillips head screwdriver is required for the assembly of this product .

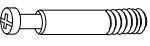













- VII. Power tools should not be used to assemble this product .

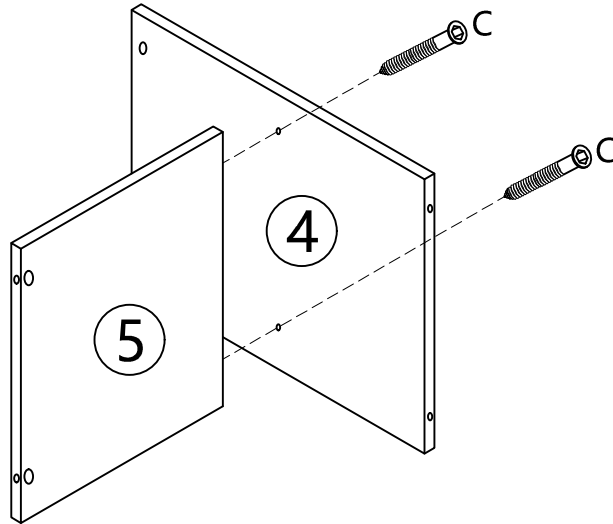
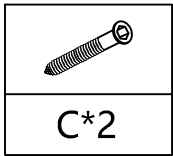




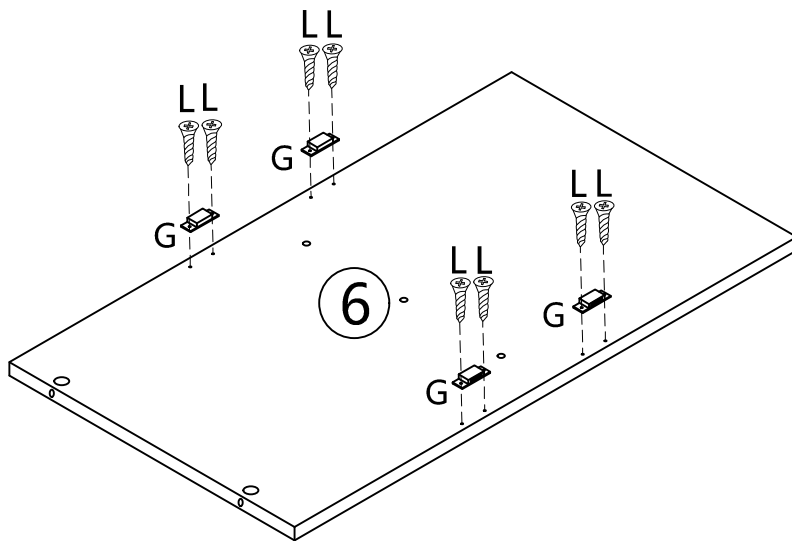
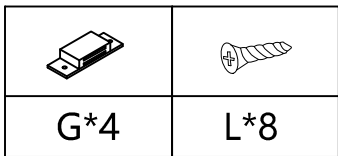


		 M5*40		 M4*8			
A*33	B*33	C*10	D*8	E*56	F*40	G*4	H*4
		 M4*18	 M6*8	 M3*12			
I*4		J*8	K*4	L*8			


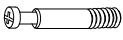
1

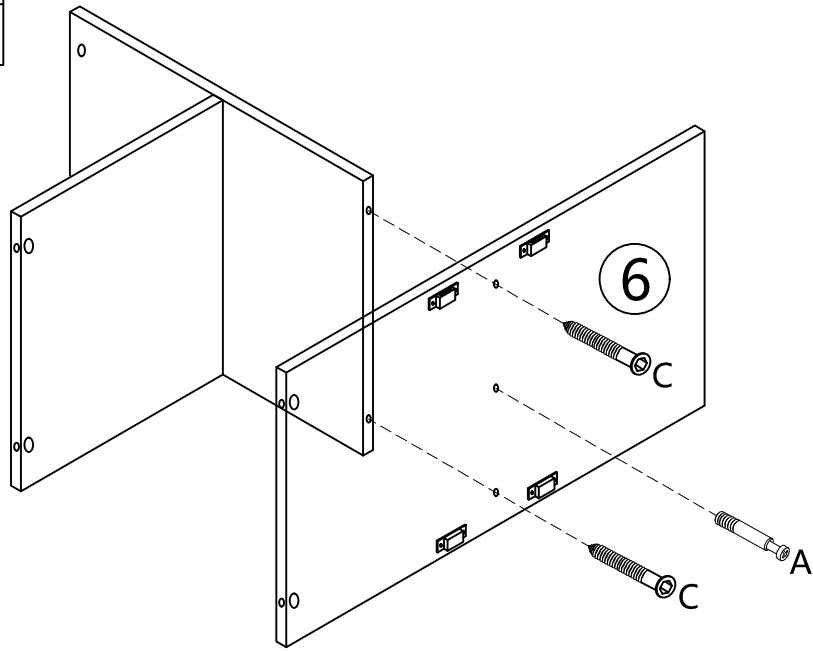


2




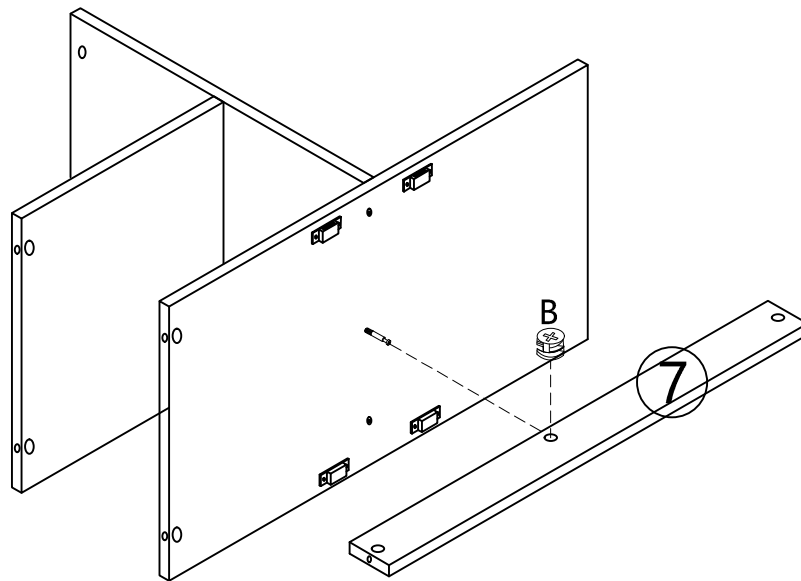
3

	
C*2	A*1


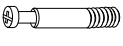



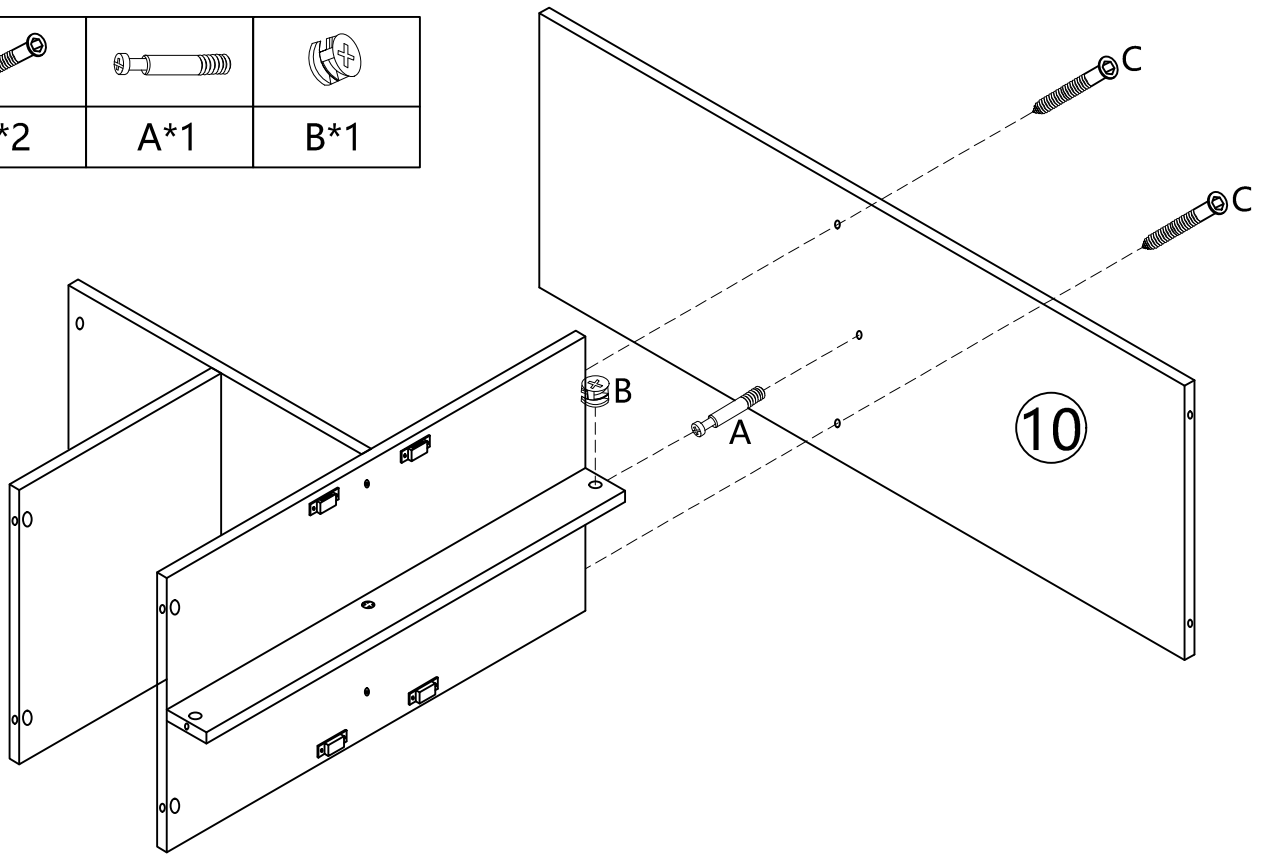
4


B*1




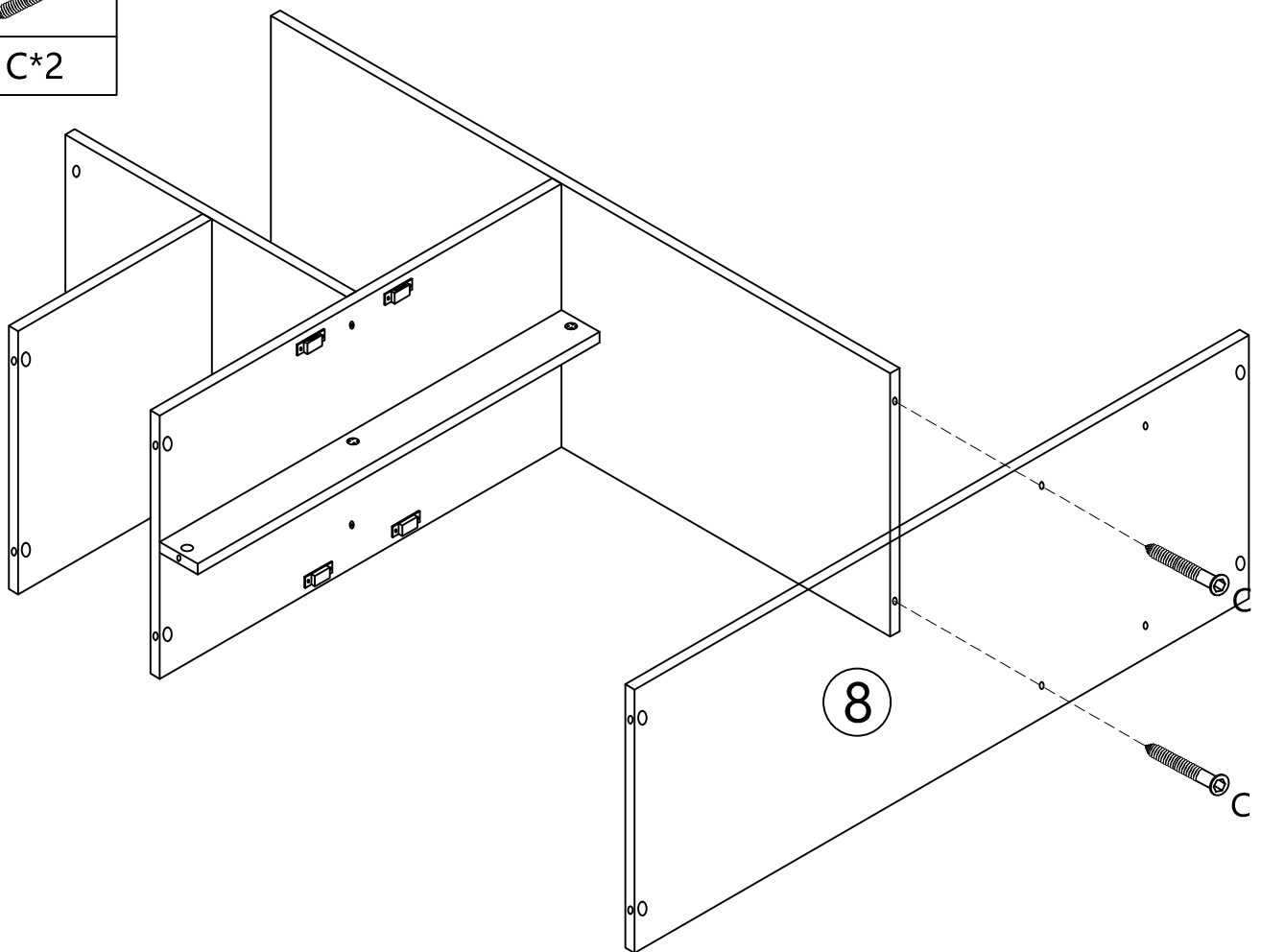
5

		
C*2	A*1	B*1

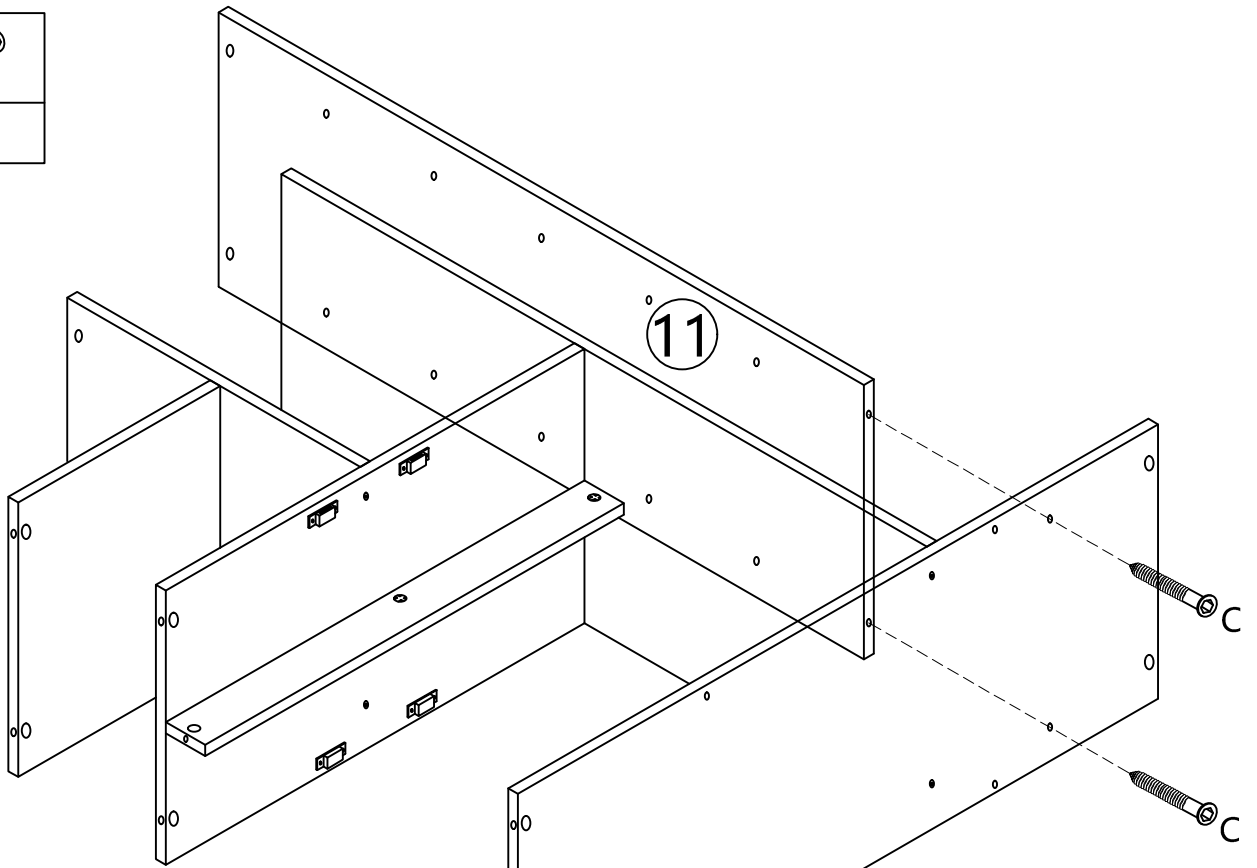
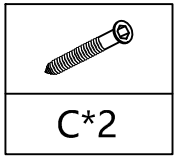


6

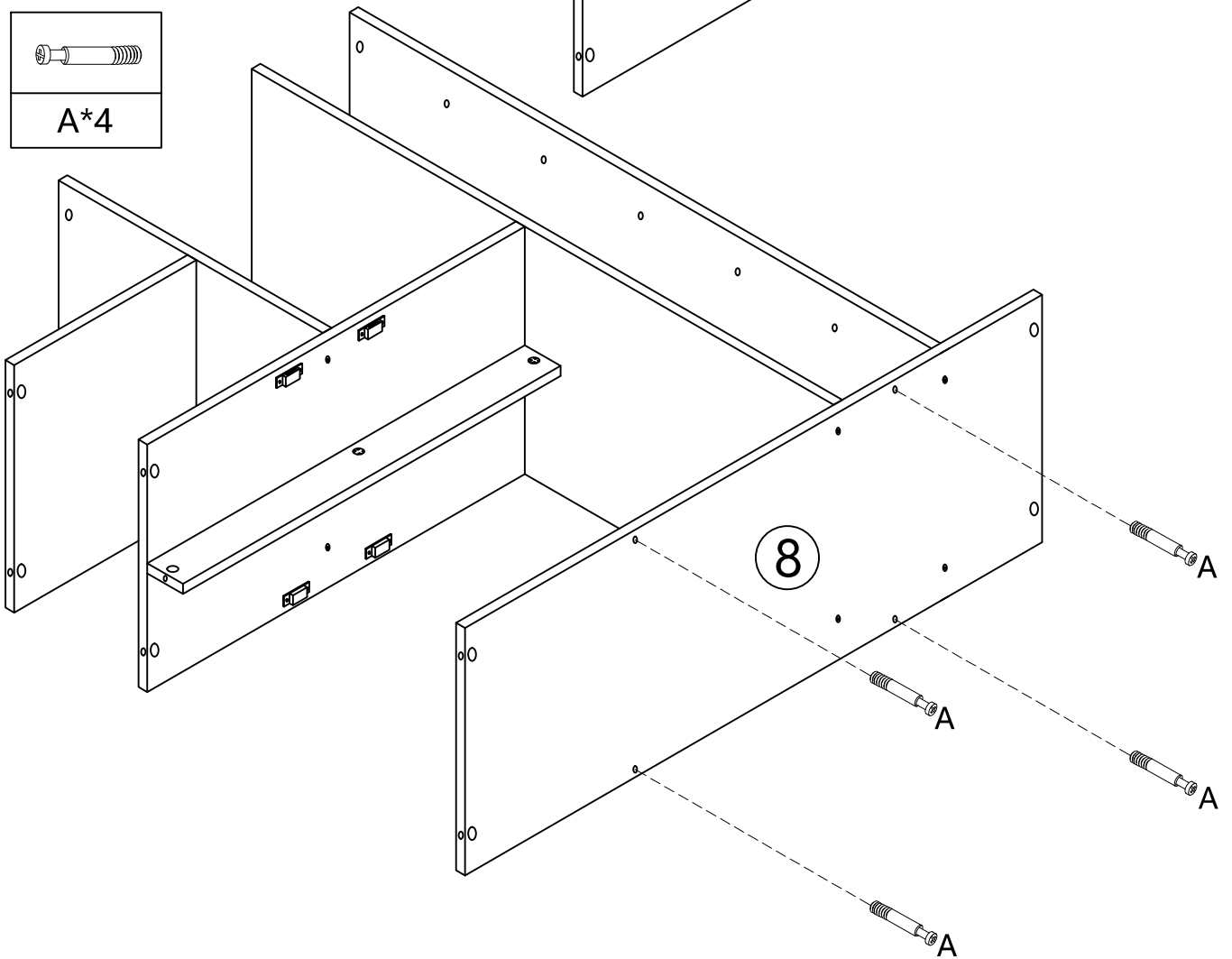
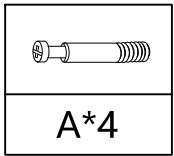

C*2



7

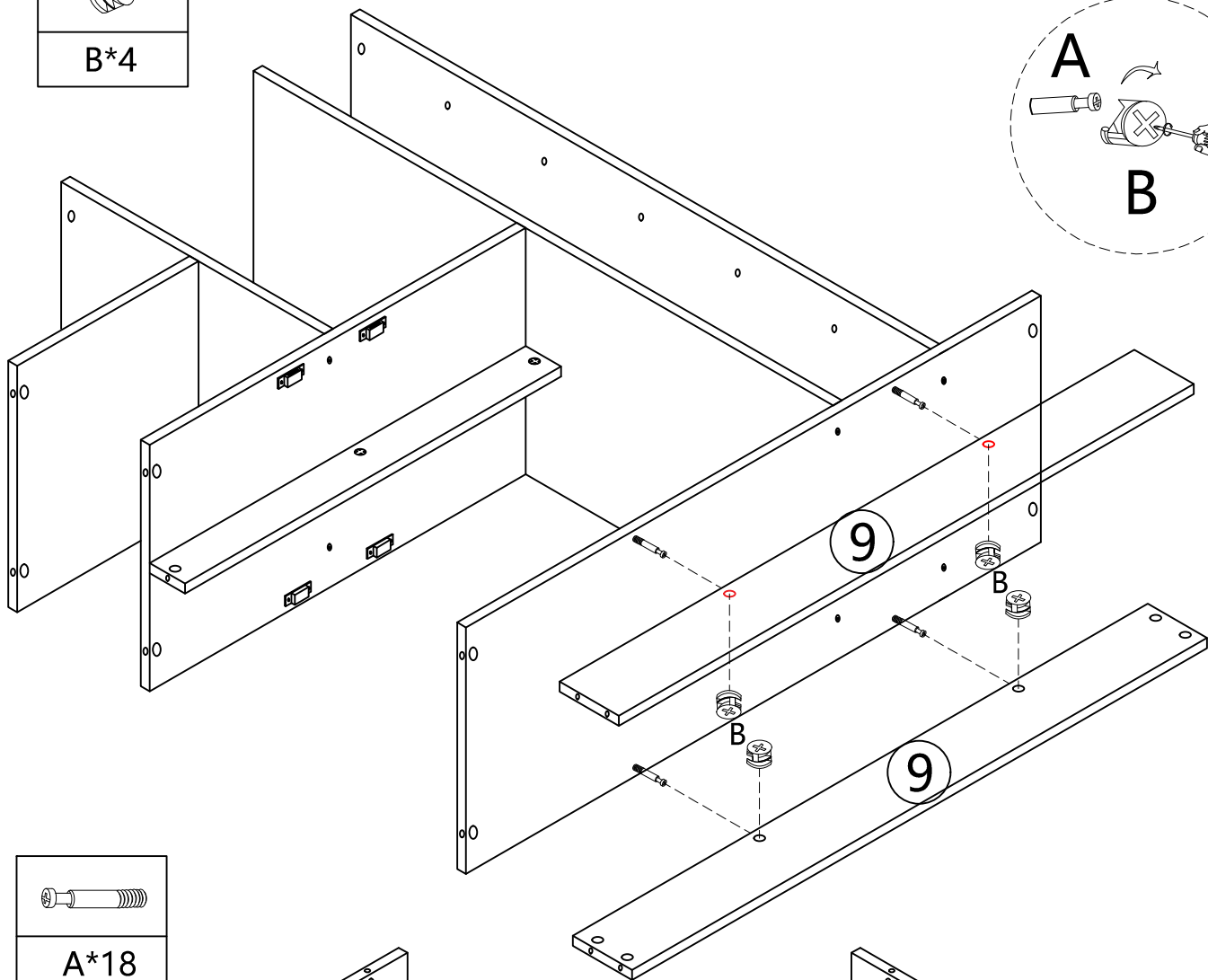
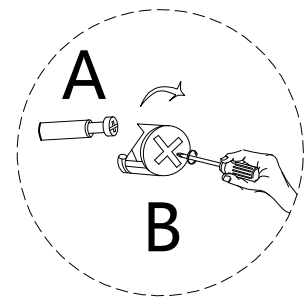
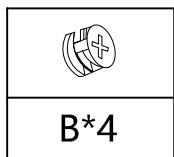


8

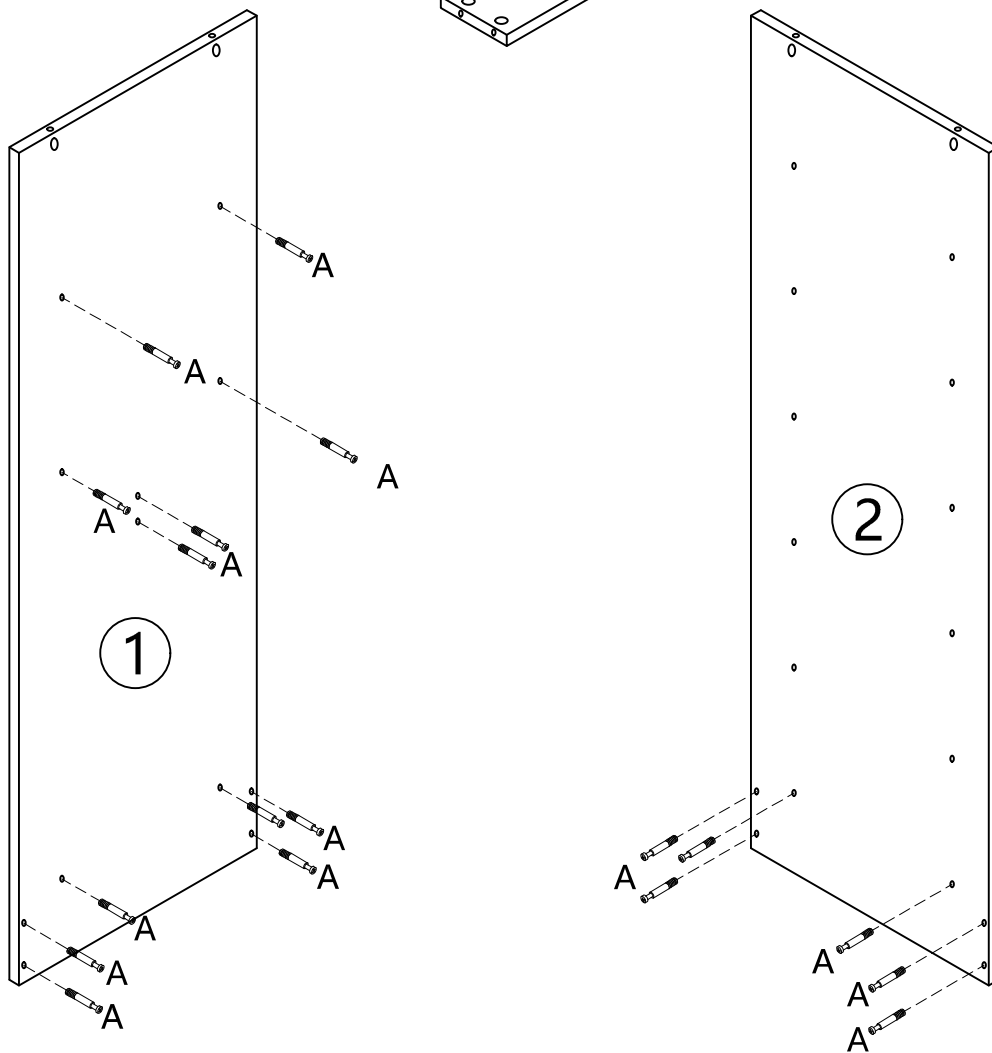
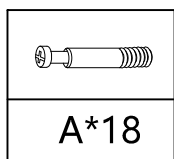




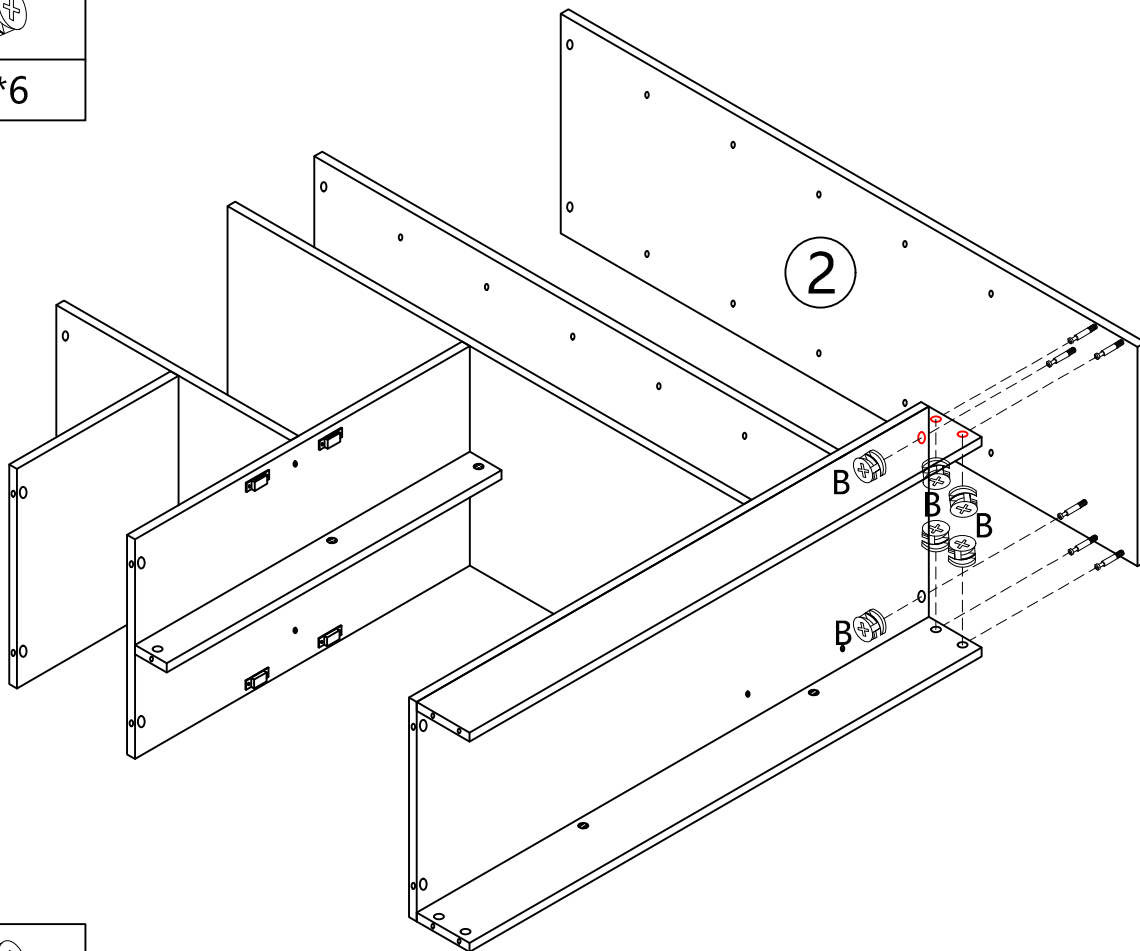
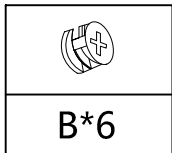
9



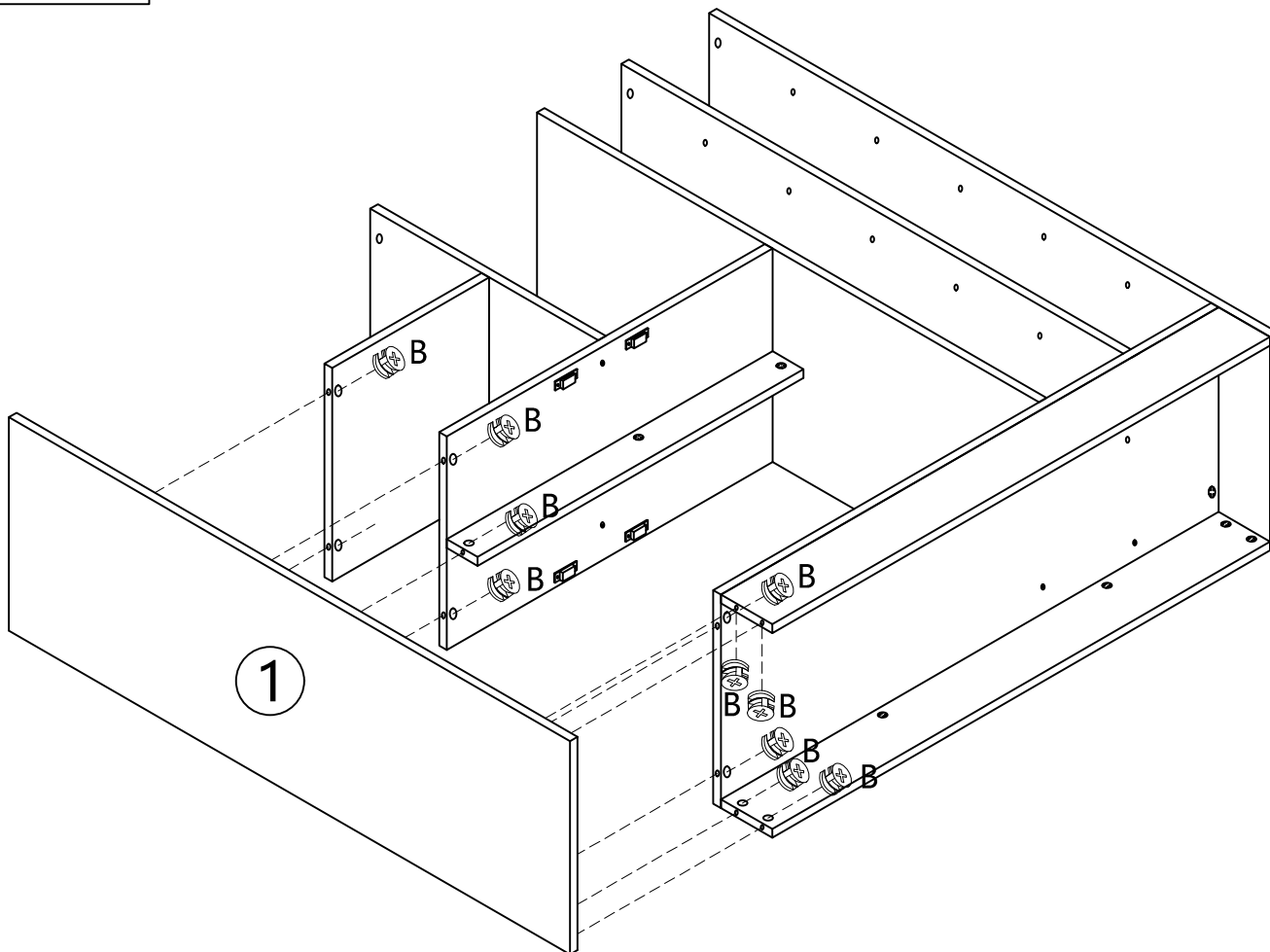
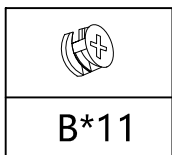
10



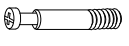

11

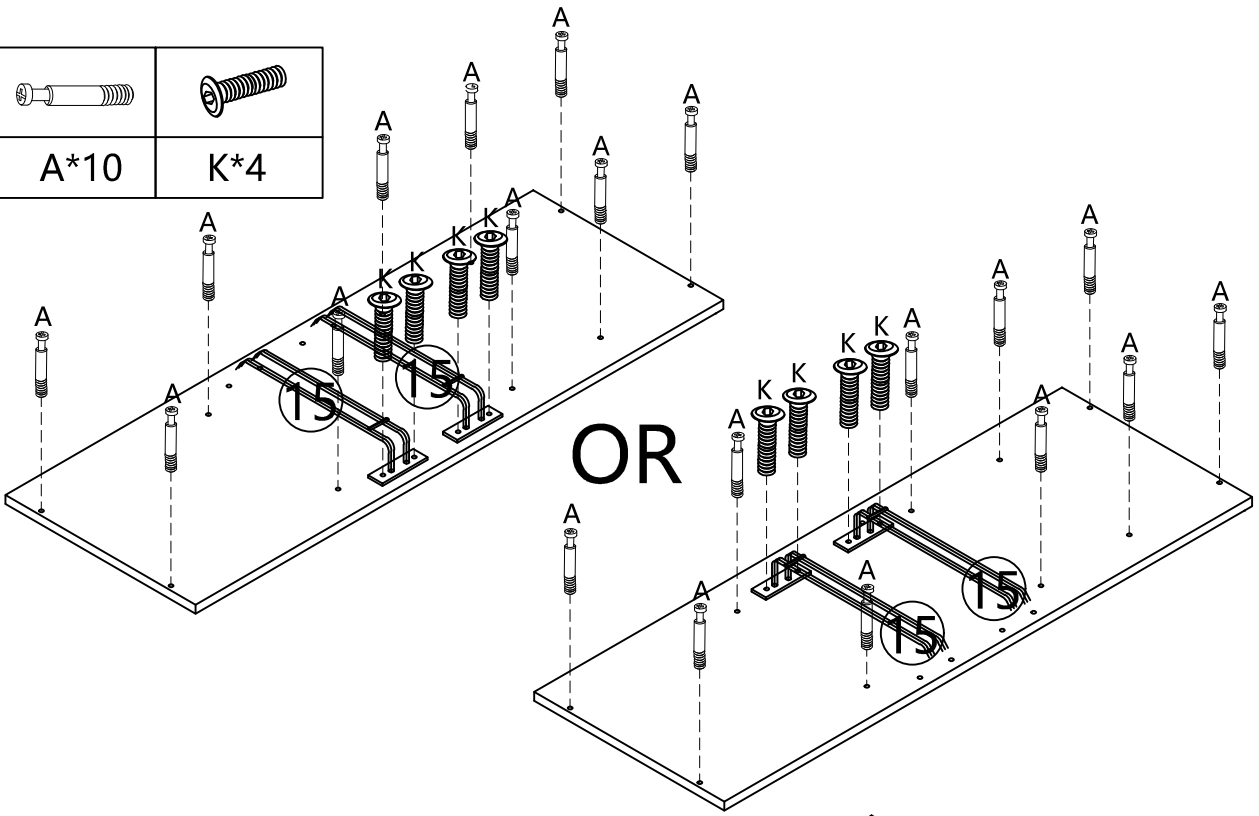


12




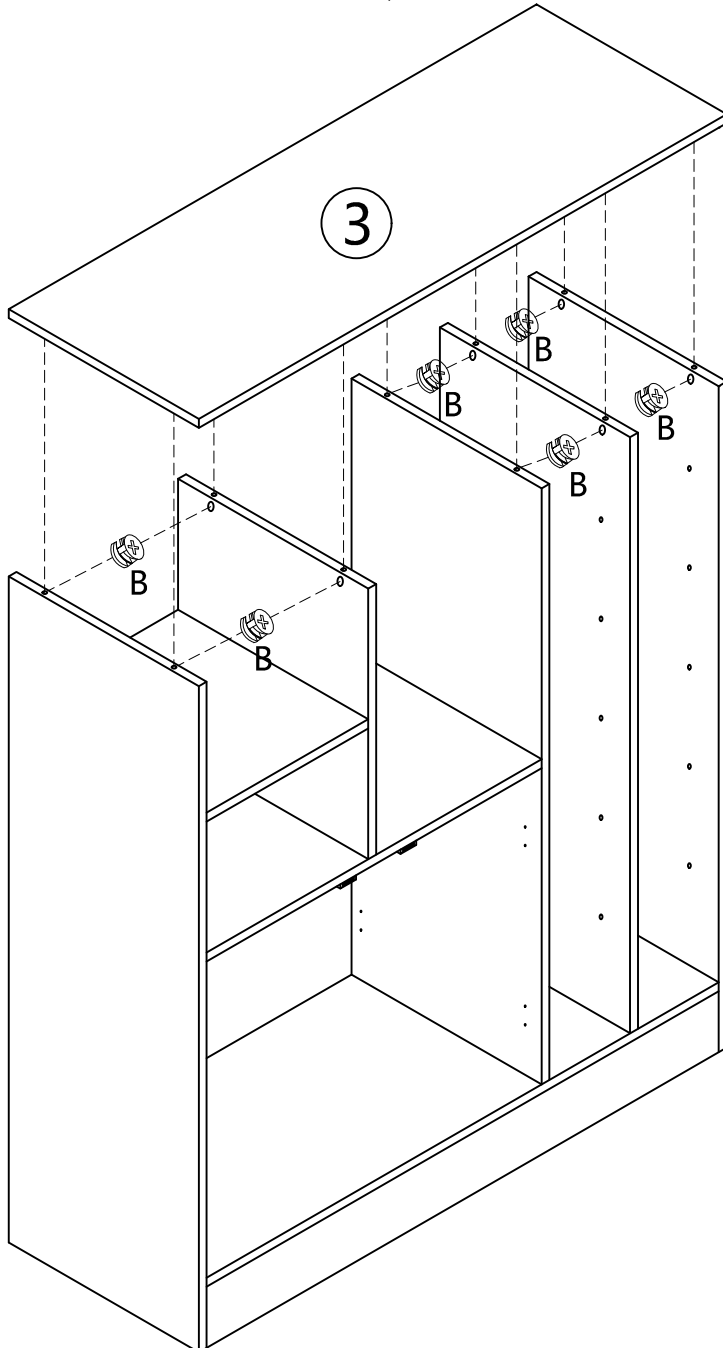
13

	
A*10	K*4

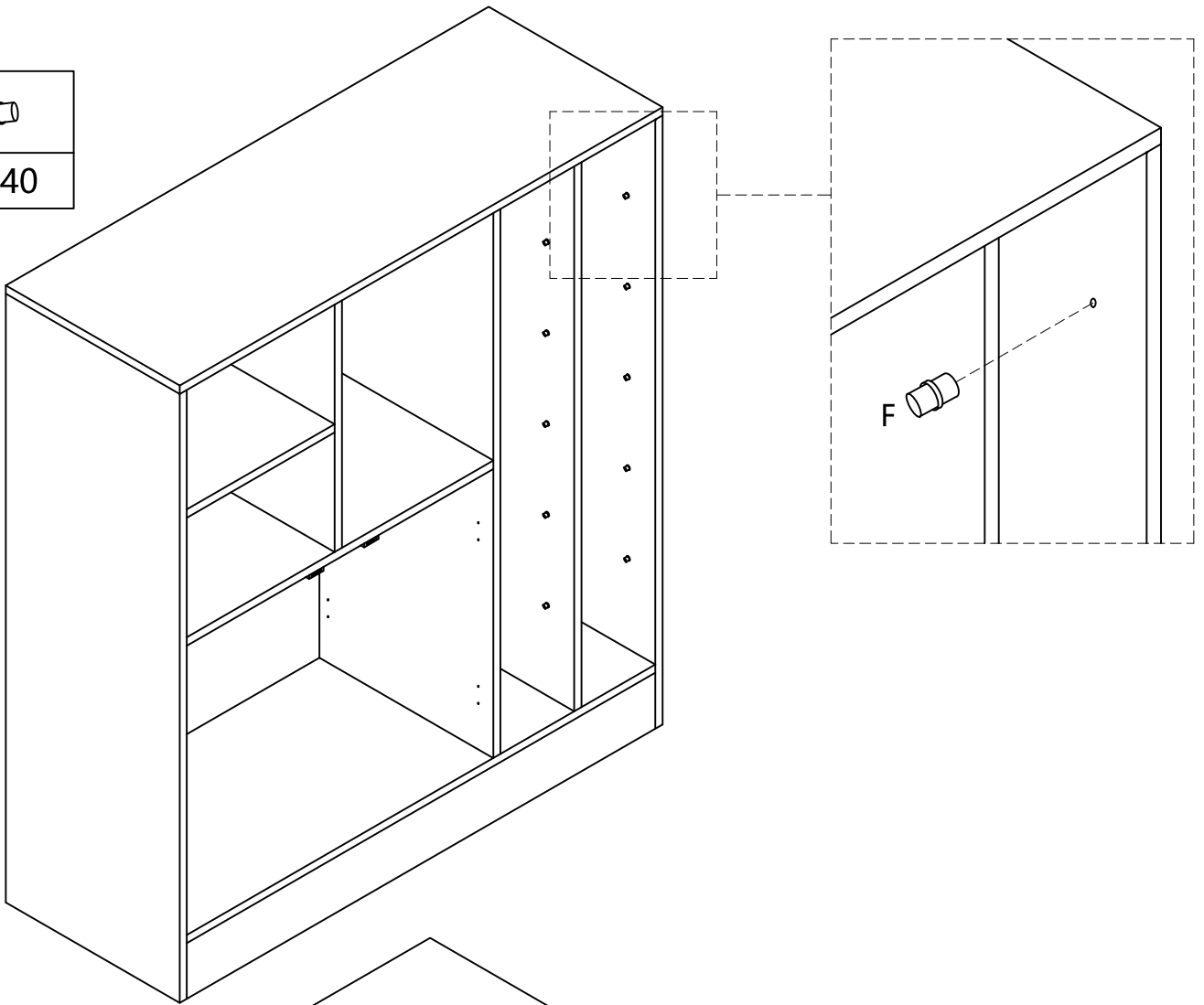
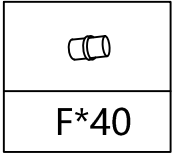


14

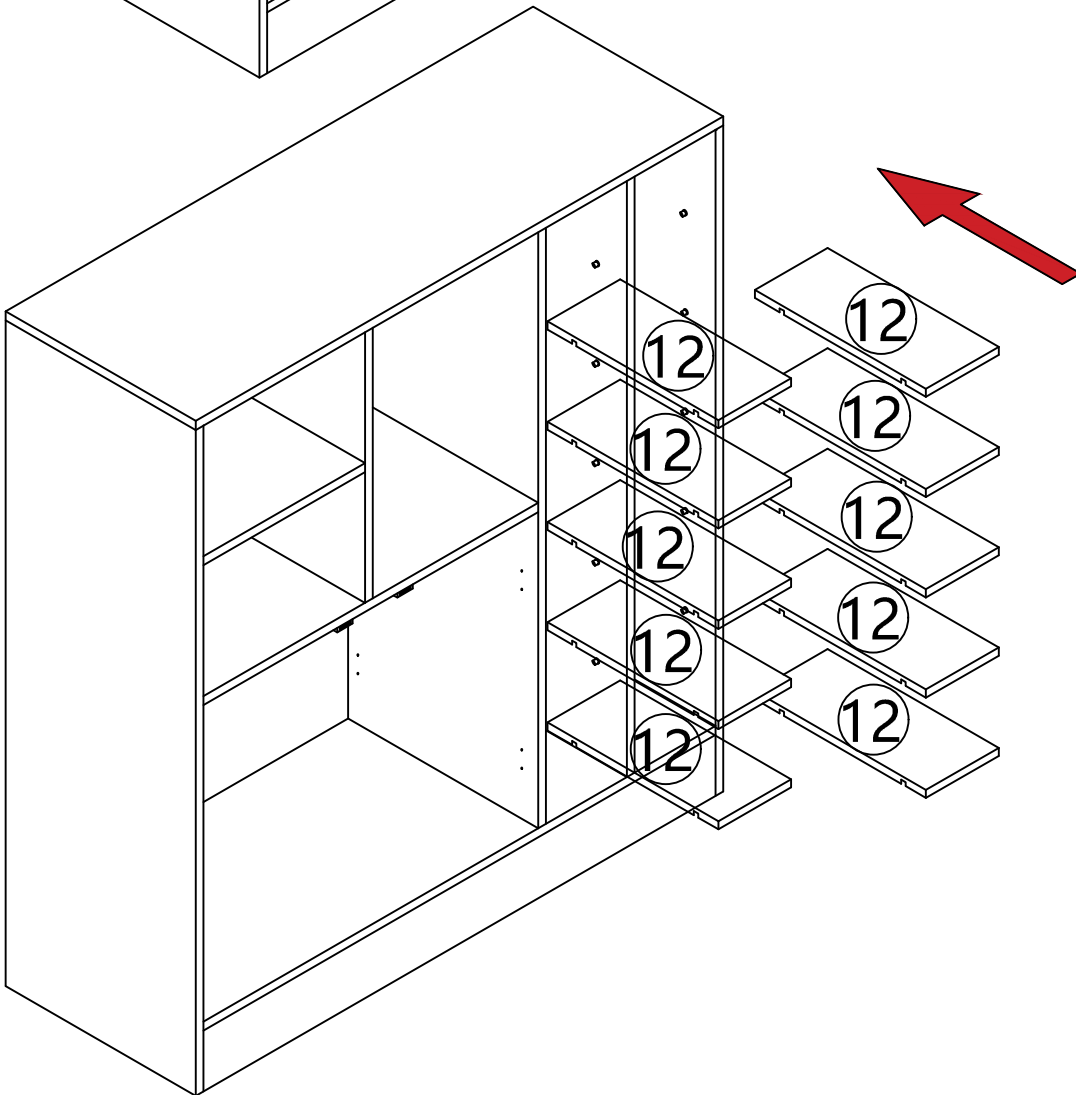

B*10




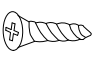
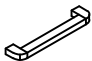

15

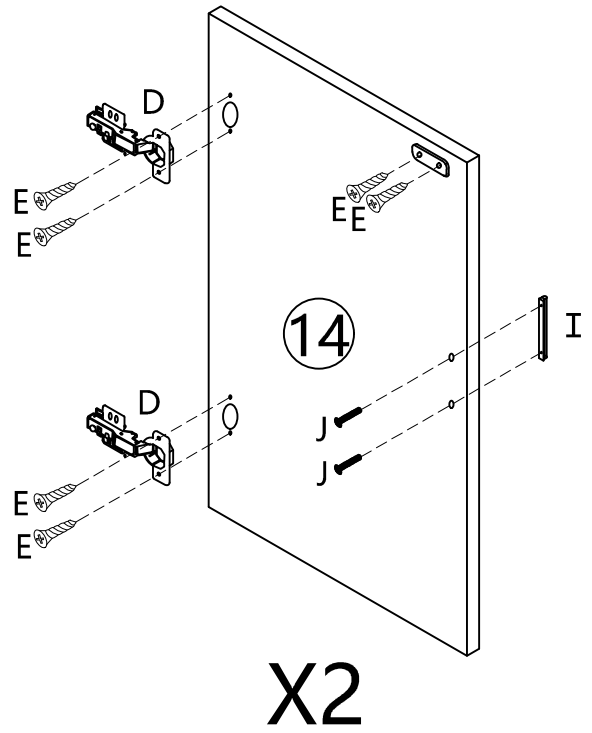
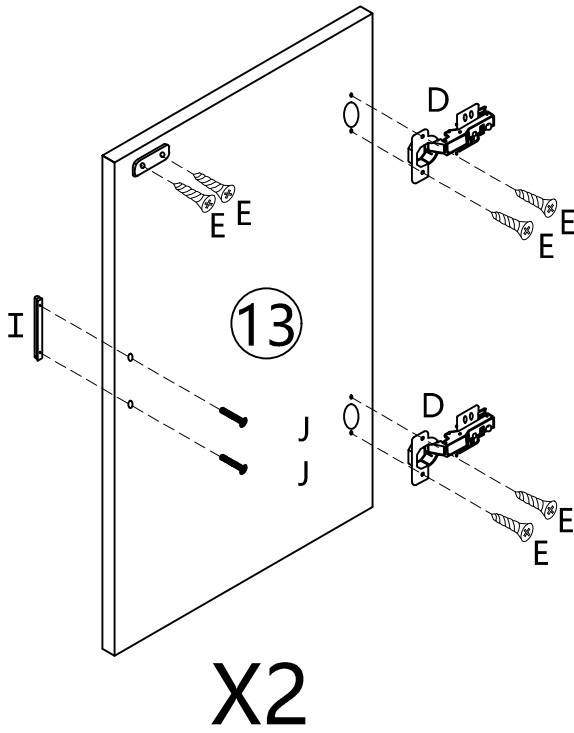


16

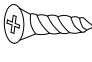


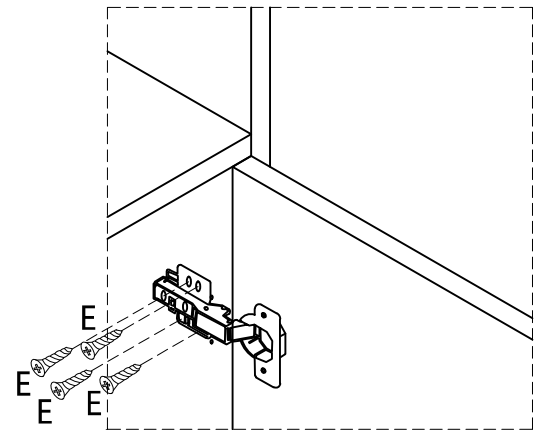
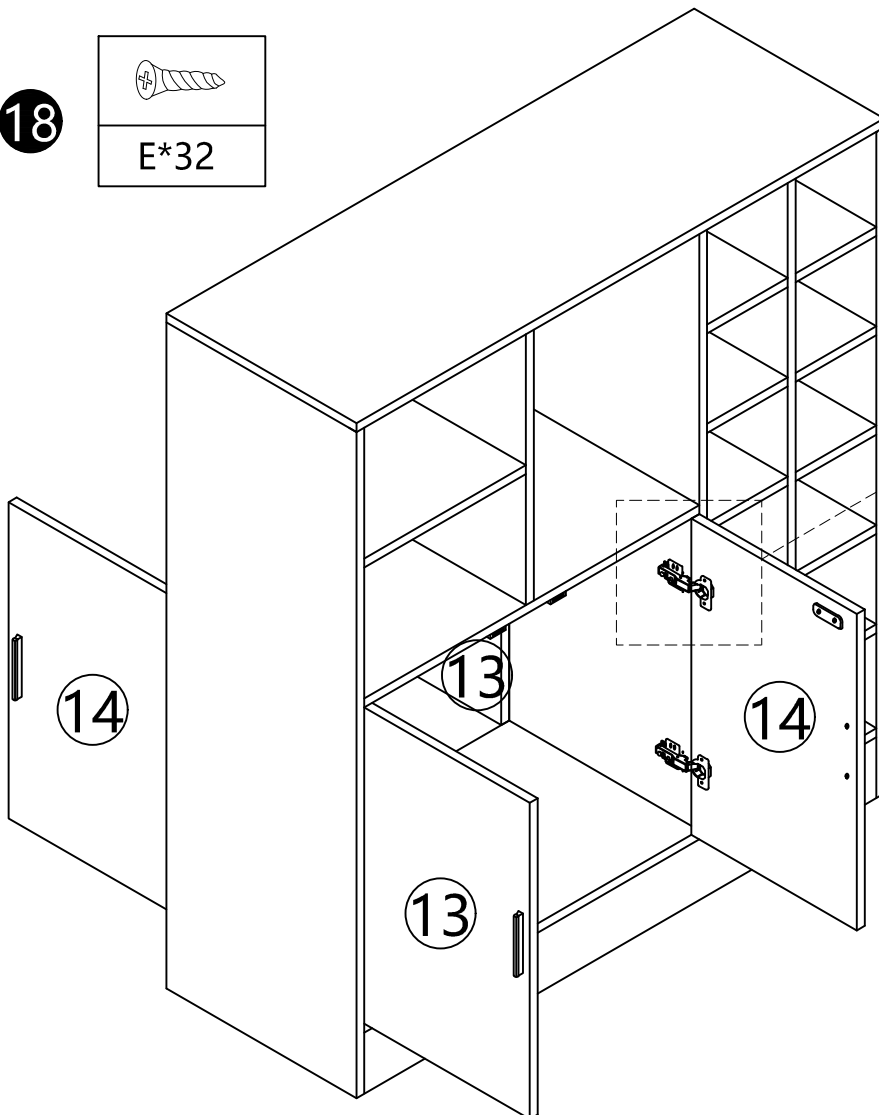
17

			
D*8	E*24	I*4	J*8

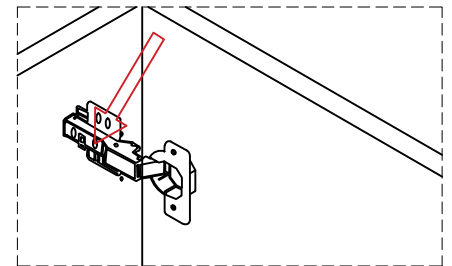


18


E*32



This screw is used to adjust the side clearance of the door panel



This screw is used to adjust the gap at the bottom of the door panel

