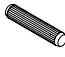
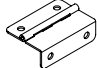
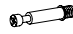









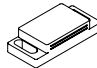
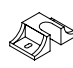
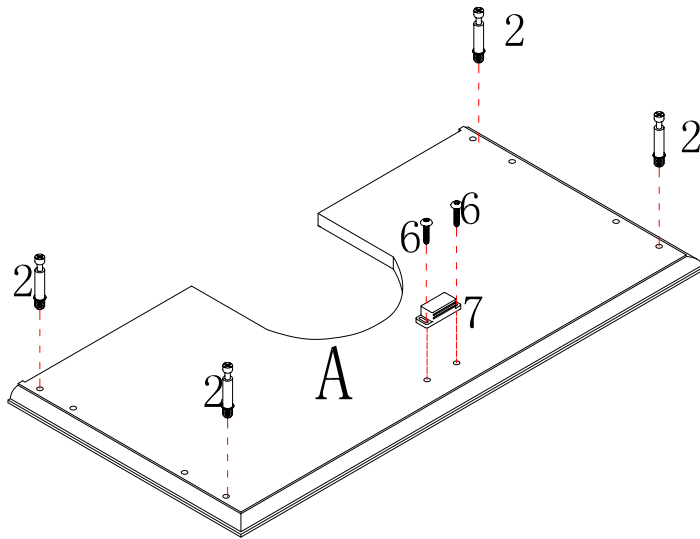





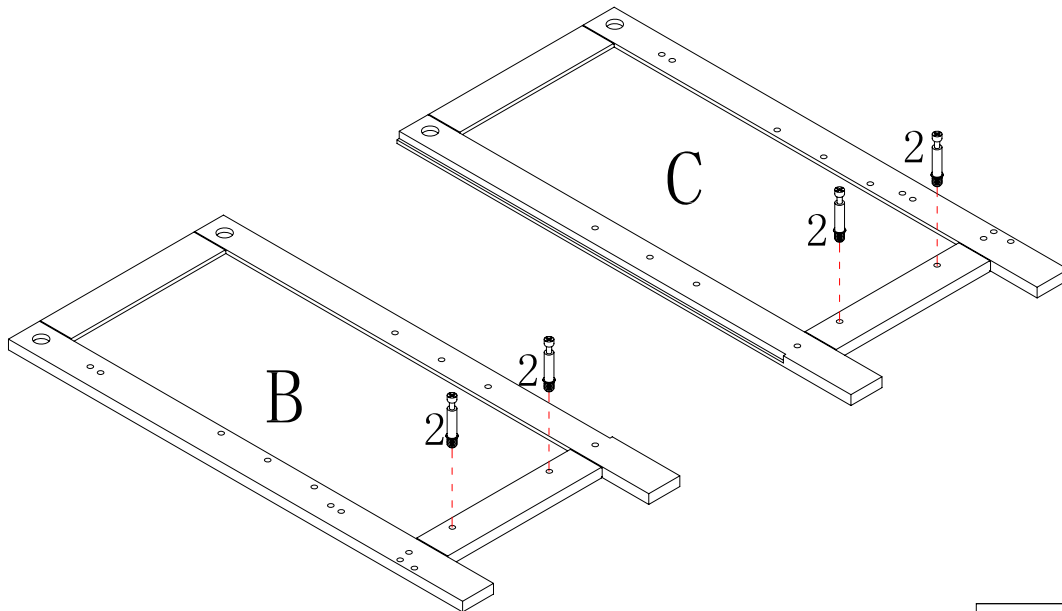
1	 6x30mm	12pcs	8		4pcs
2		9pcs	9	 15x9.5mm	5pcs
3	 15x12mm	4pcs	10	 4x18mm	2pcs
4		2pcs	11		2pcs
5	 3x10mm	20pcs	12		4pcs
6	 2.5x12mm	2pcs	13	 2.2x10mm	10pcs
7		1pc	14		1pc


1



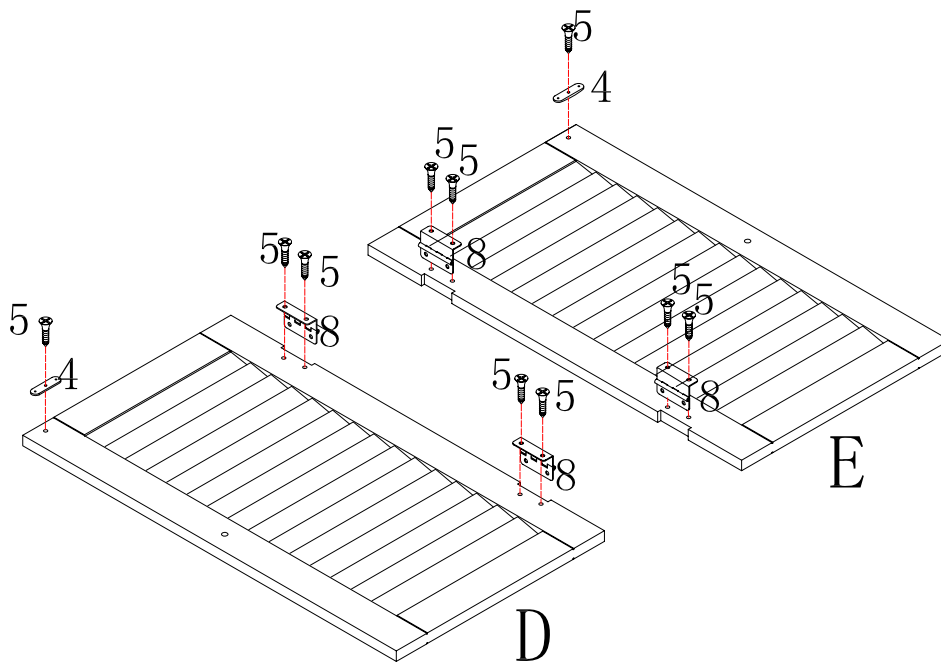
	(2)x4pcs
	(6)x2pcs
	(7)x1pc




2



	(2)x4pcs
---	----------

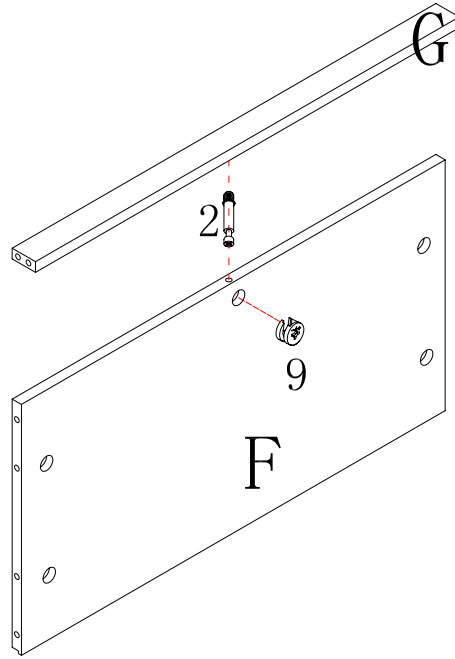
3



	(4)x2pcs
	(5)x10pcs
	(8)x4pcs

3 - 7

4

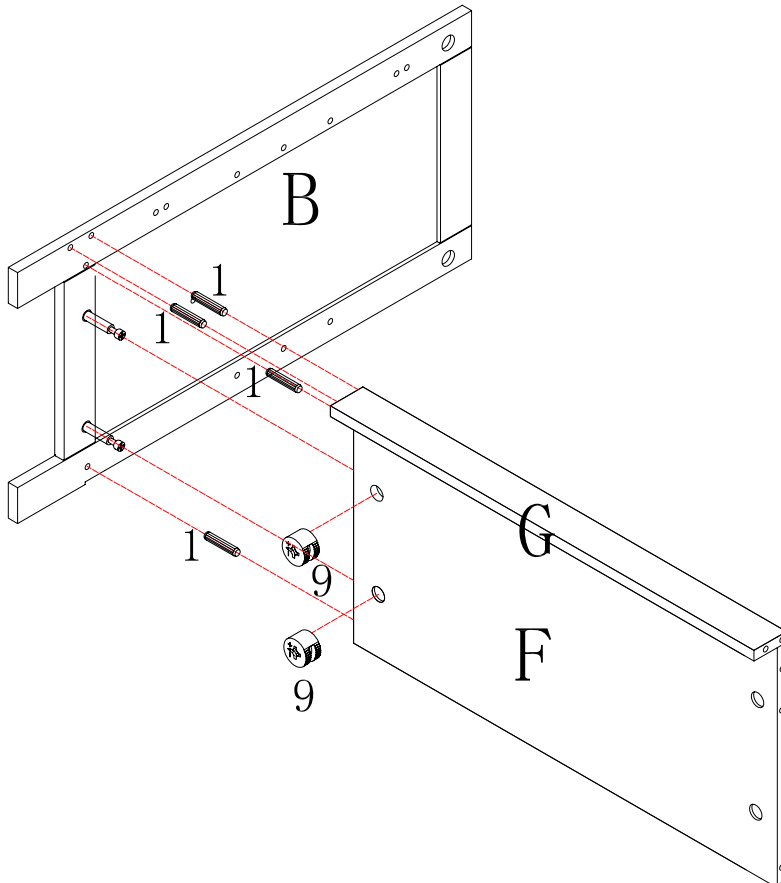


(2)x1pc



(9)x1pc

5



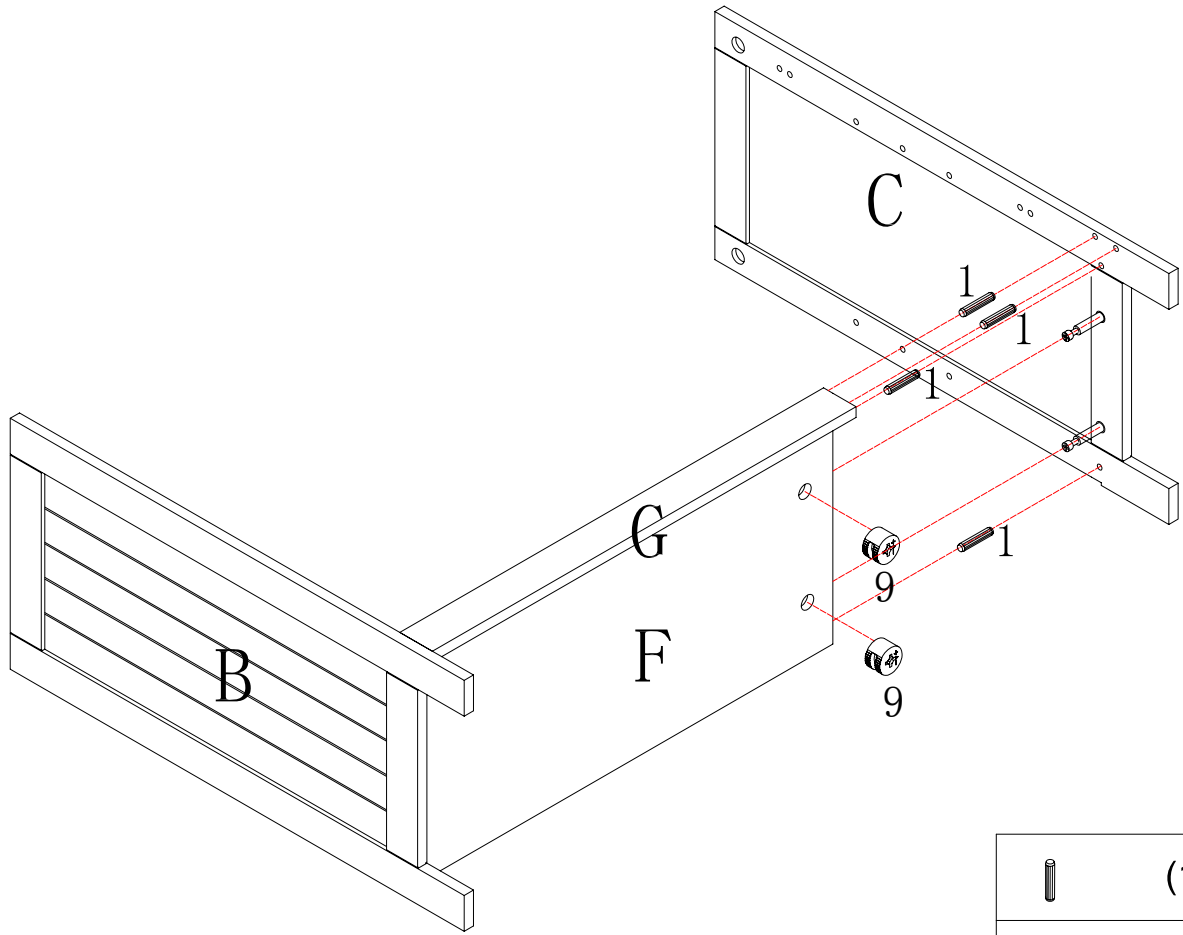
(1)x4pcs





(9)x2pcs

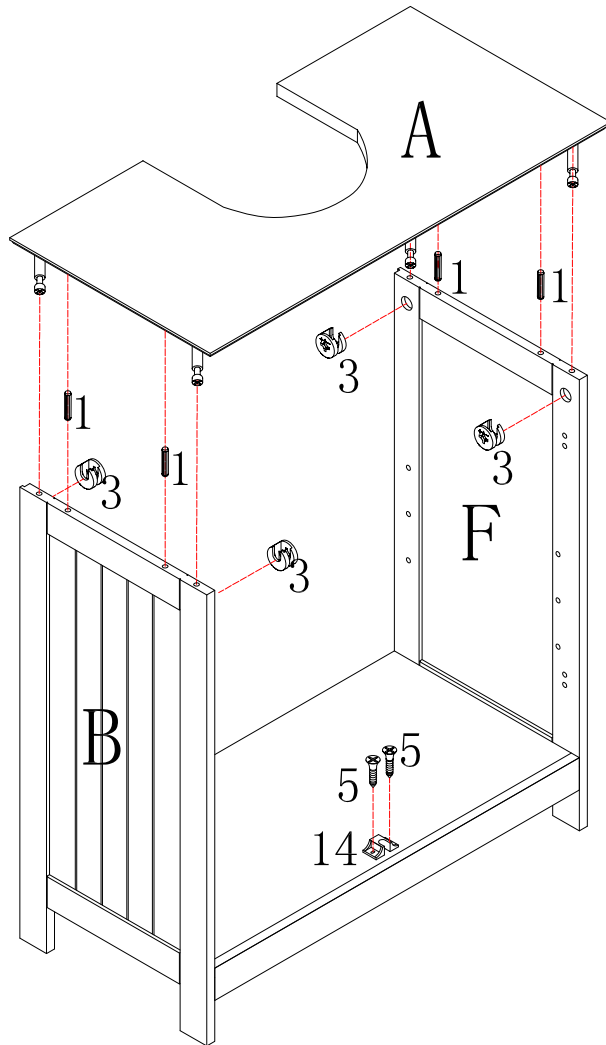
4 - 7





6



	(1)x4pcs
	(9)x2pcs

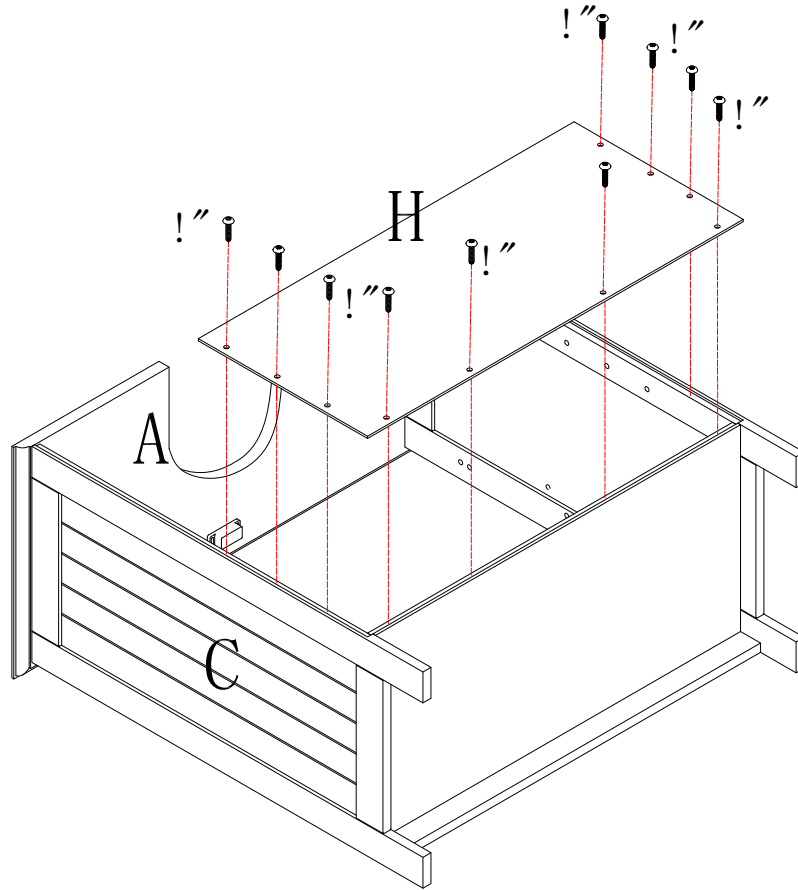
7




	(1)x4pcs
	(3)x4pcs
	(5)x2pcs
	(14)x1pc

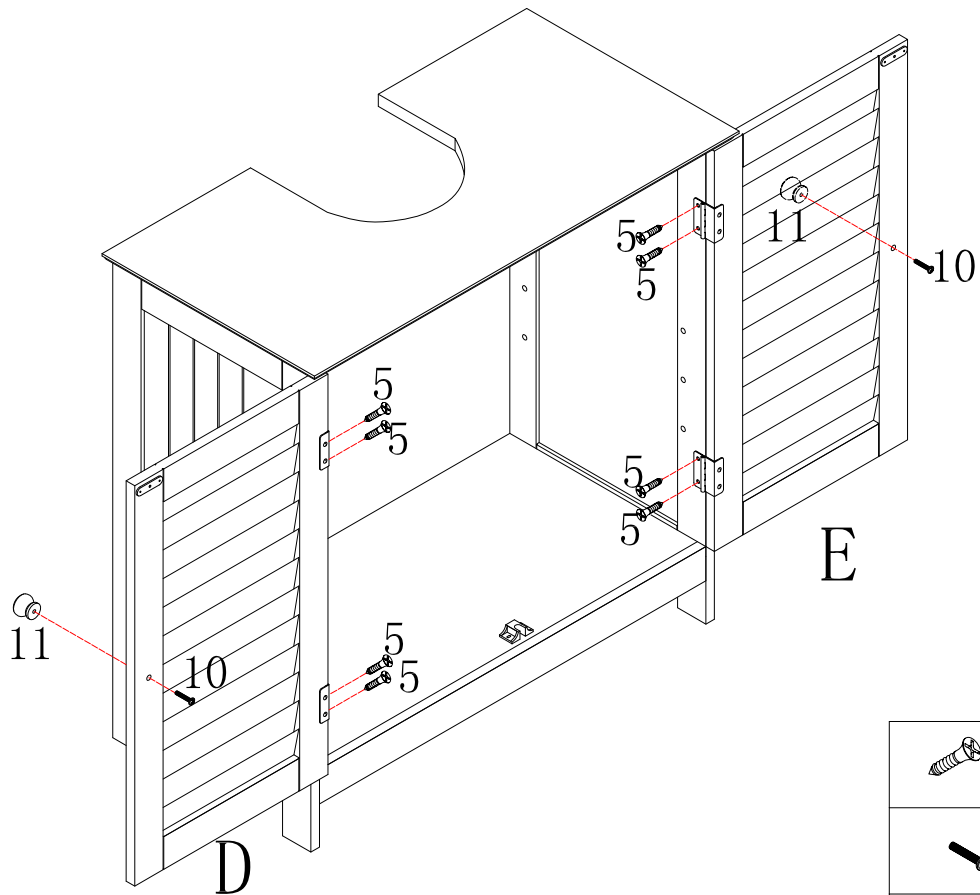
5 - 7




8



 (13)x10pcs

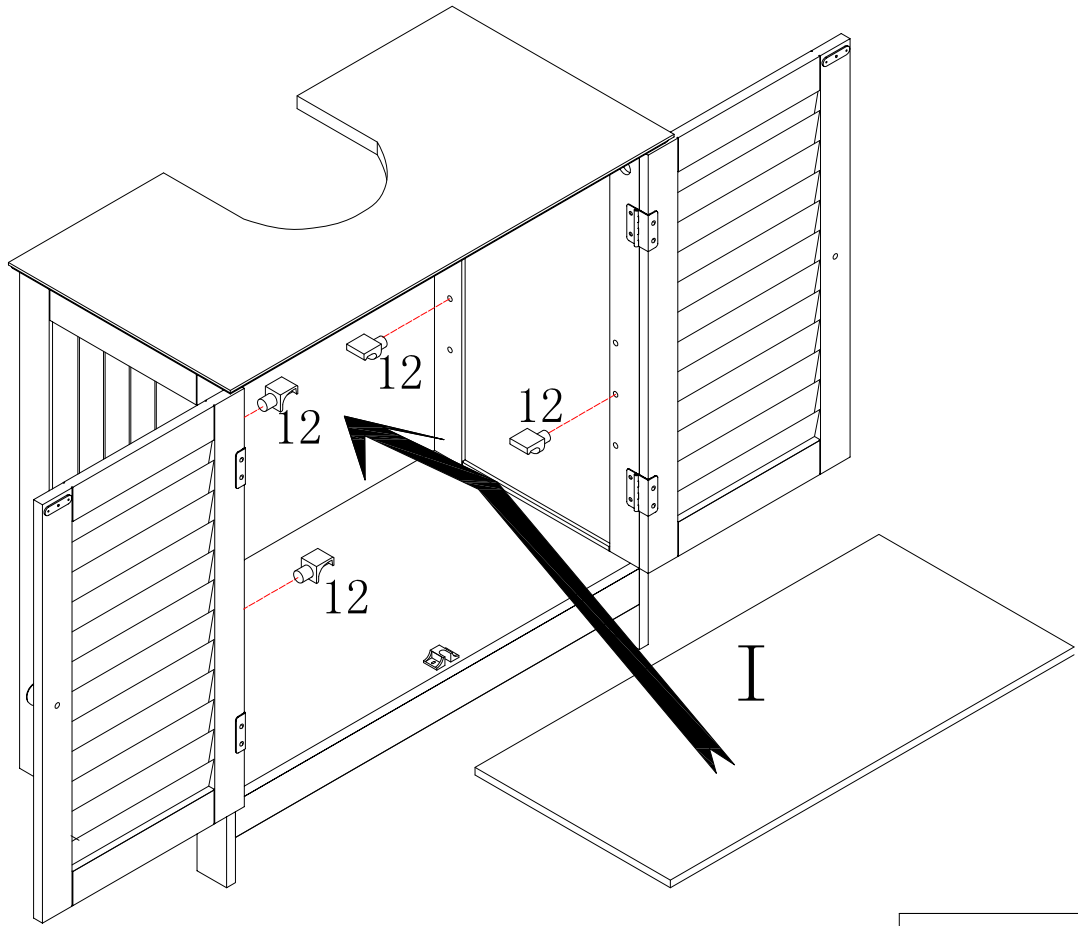
9



	(5)x8pcs
	(10)x2pcs
	(11)x2pcs

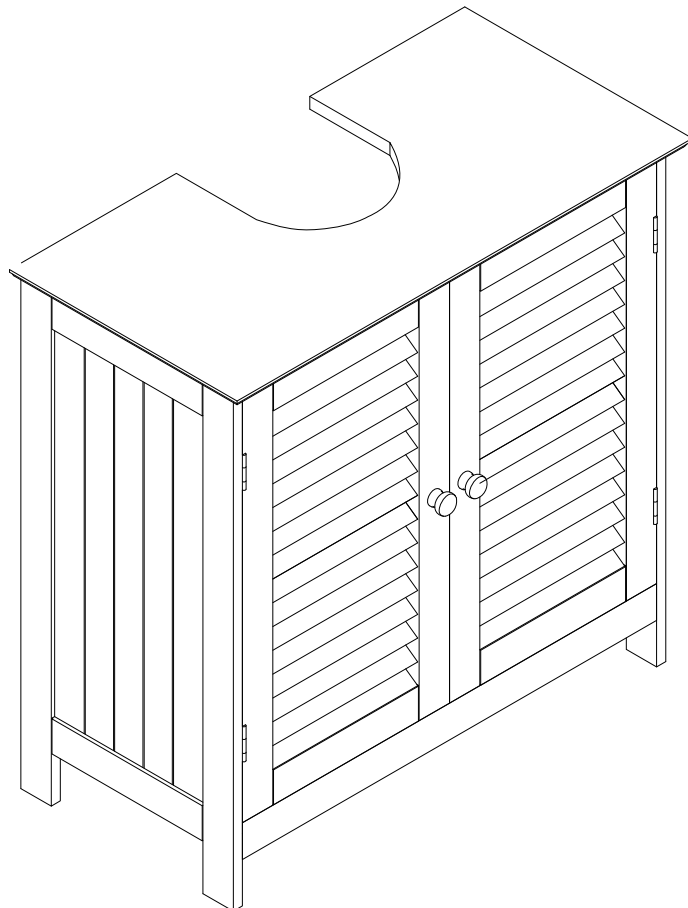
6 - 7

10

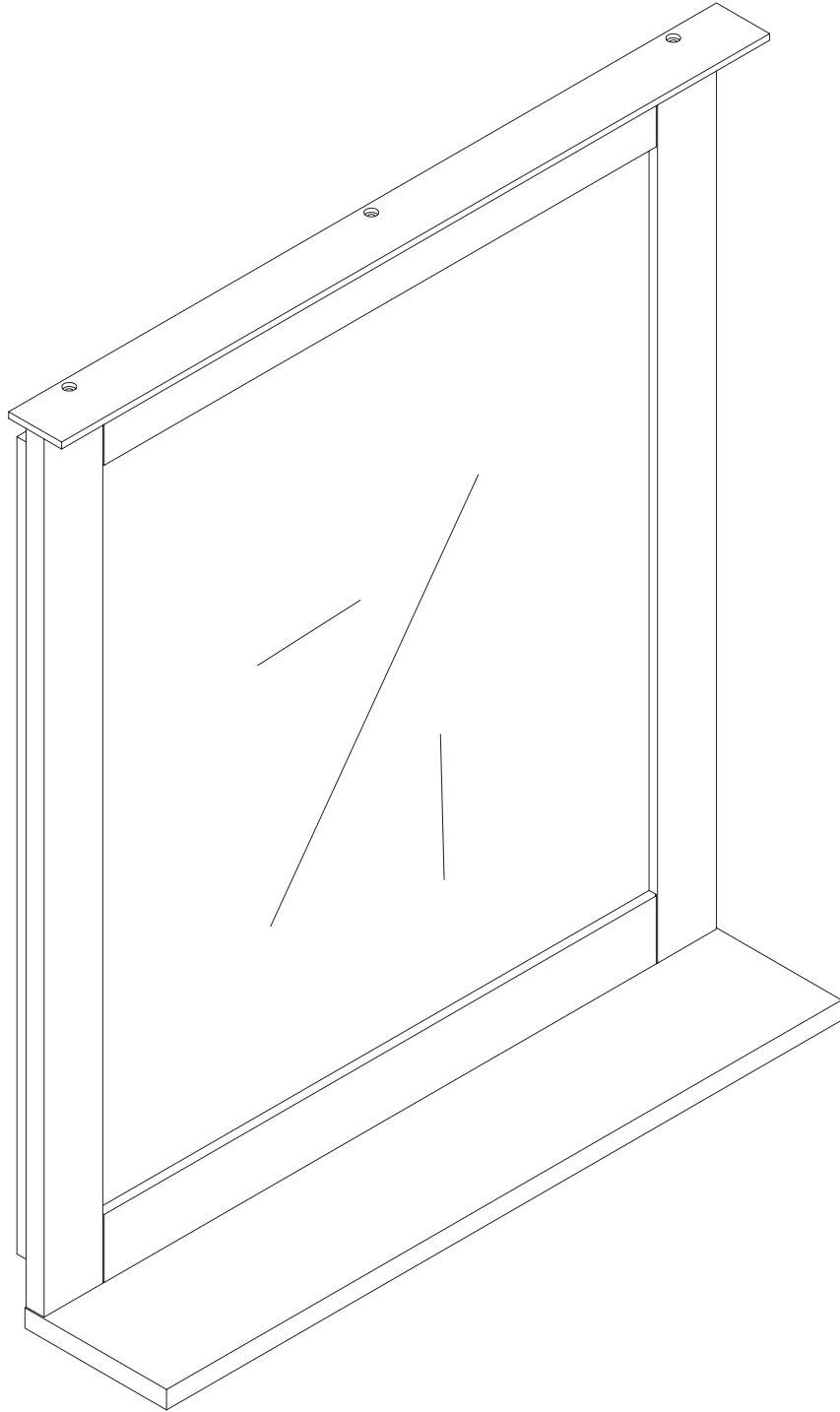


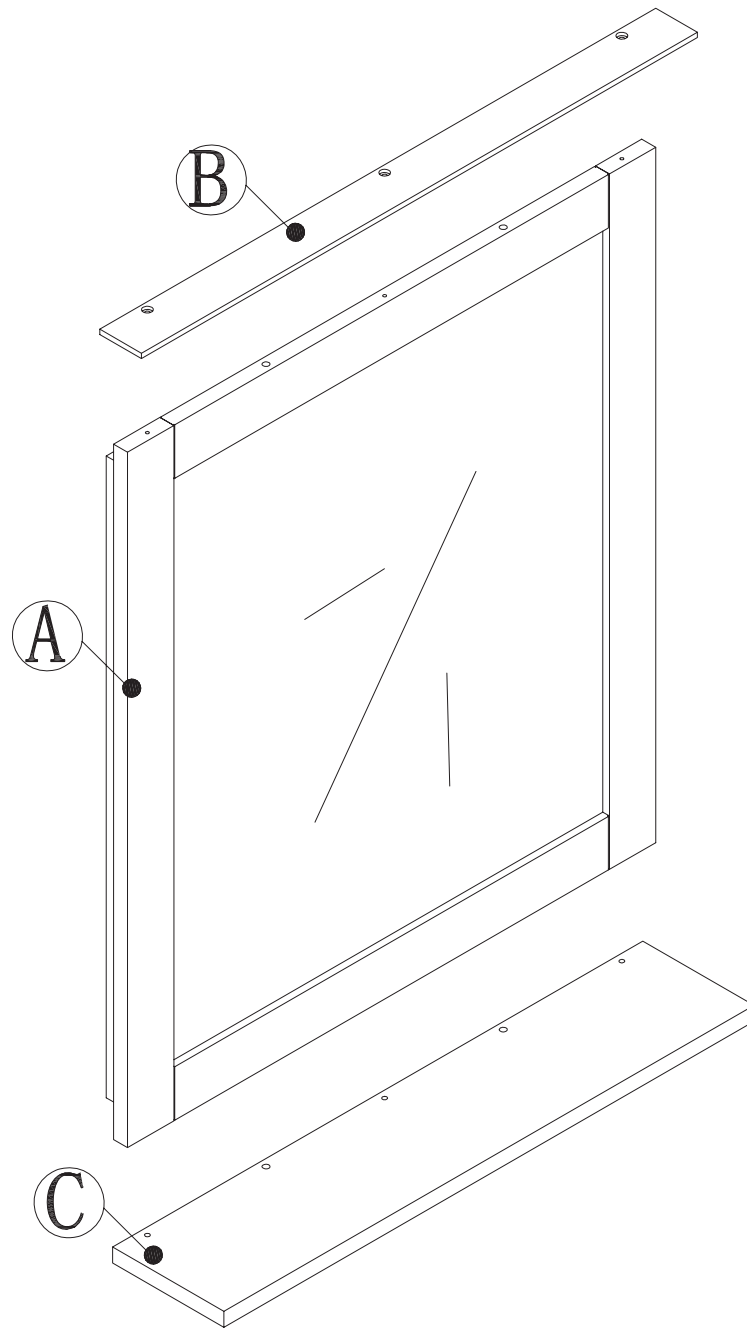
(12)x4pcs





11



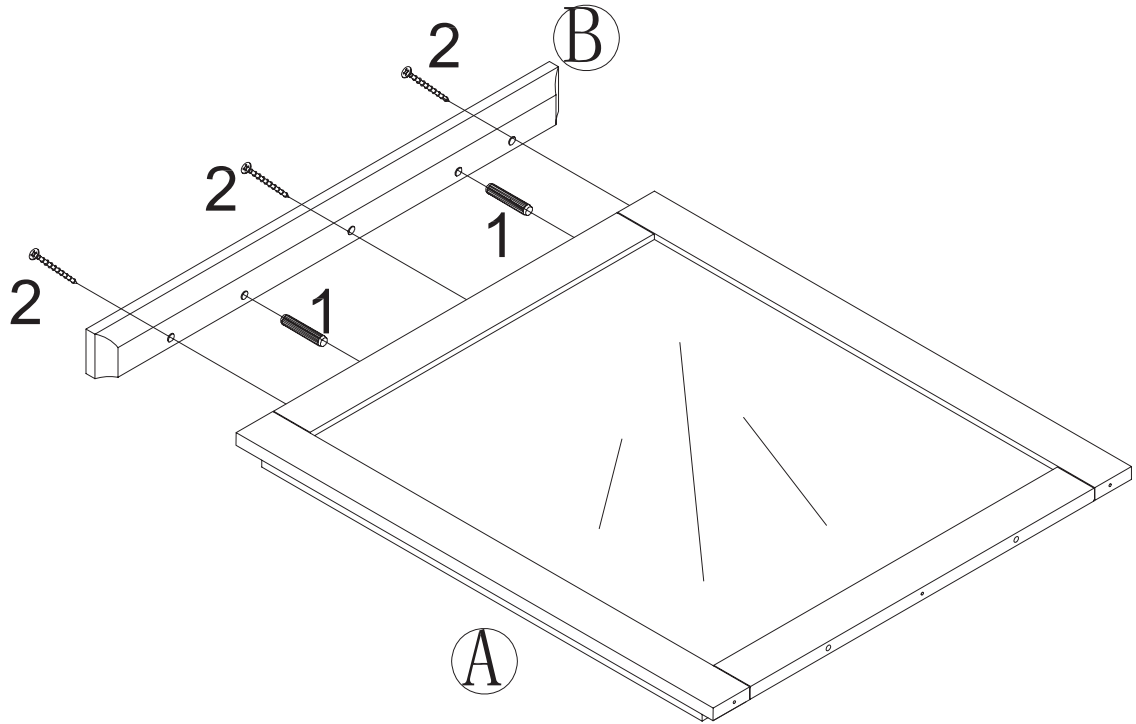
7 - 7







1		4pcs
2	 Φ4x30mm	6pcs
3	 Φ6x35mm	2pcs
4	 Φ3.5x35mm	2pcs

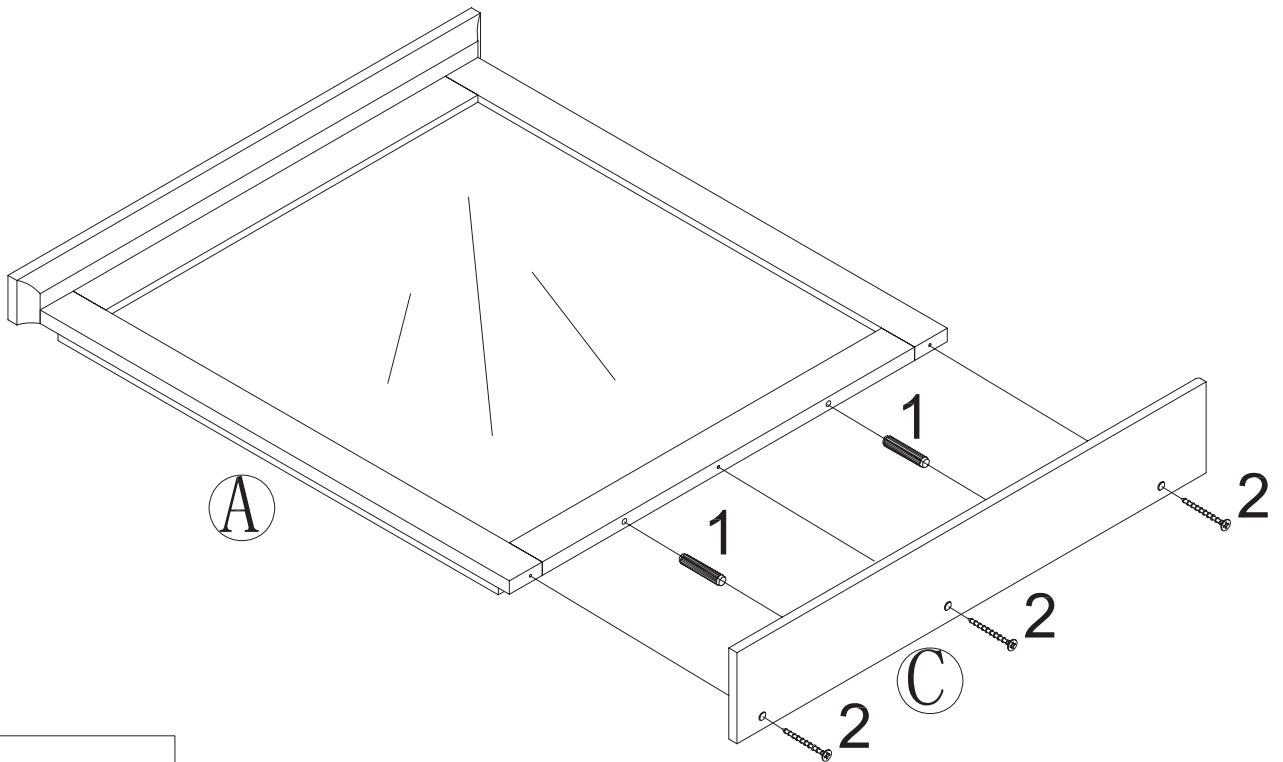
1





 (1)x2pcs

 (2)x3pcs

2

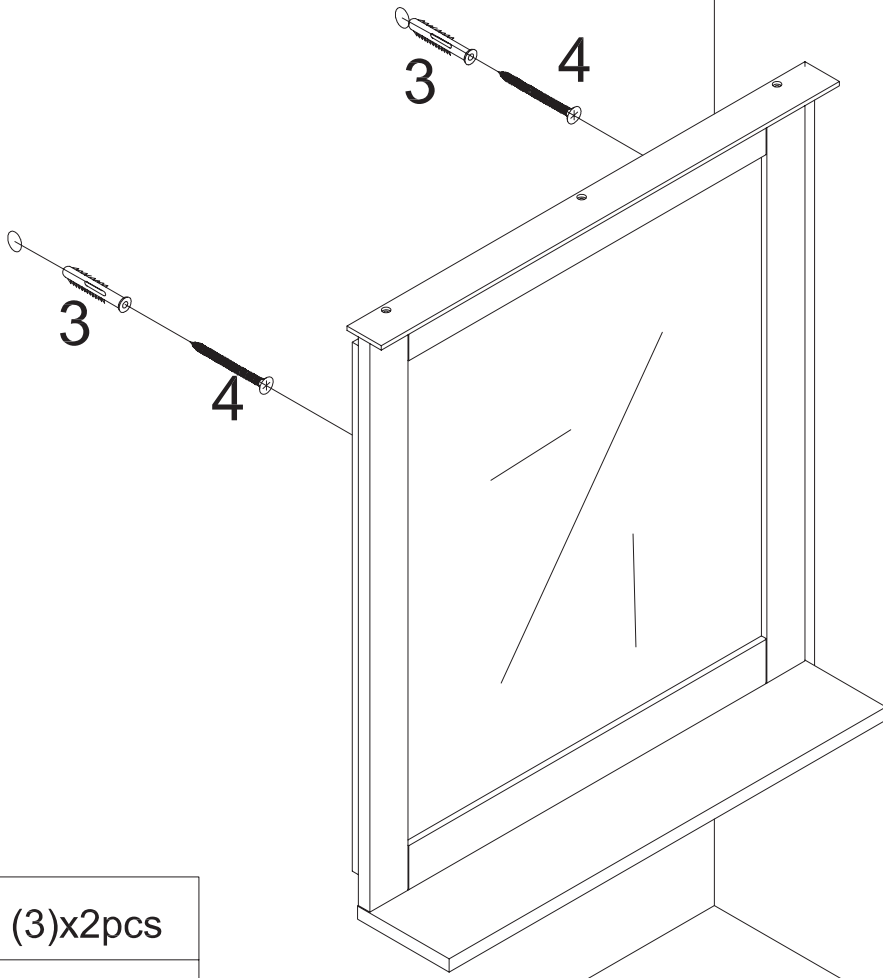


 (1)x2pcs

 (2)x3pcs

3 - 4

3

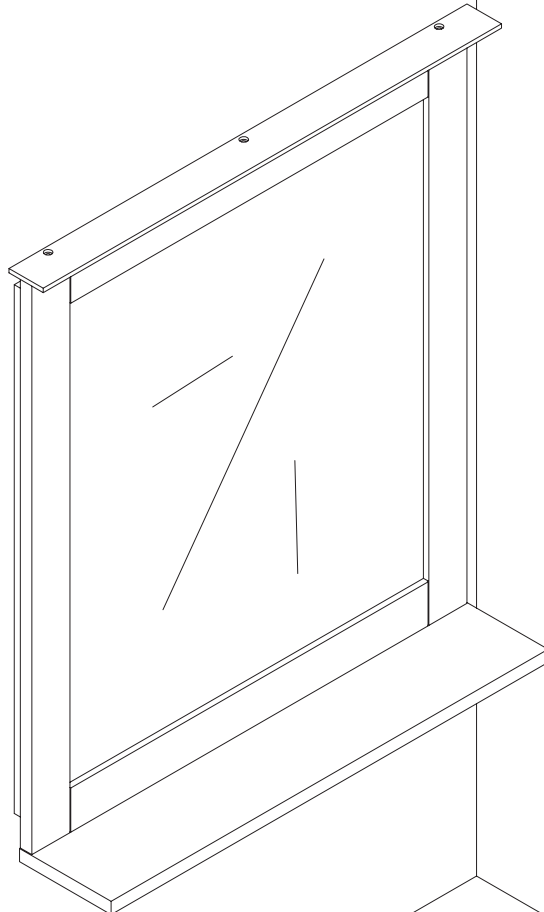


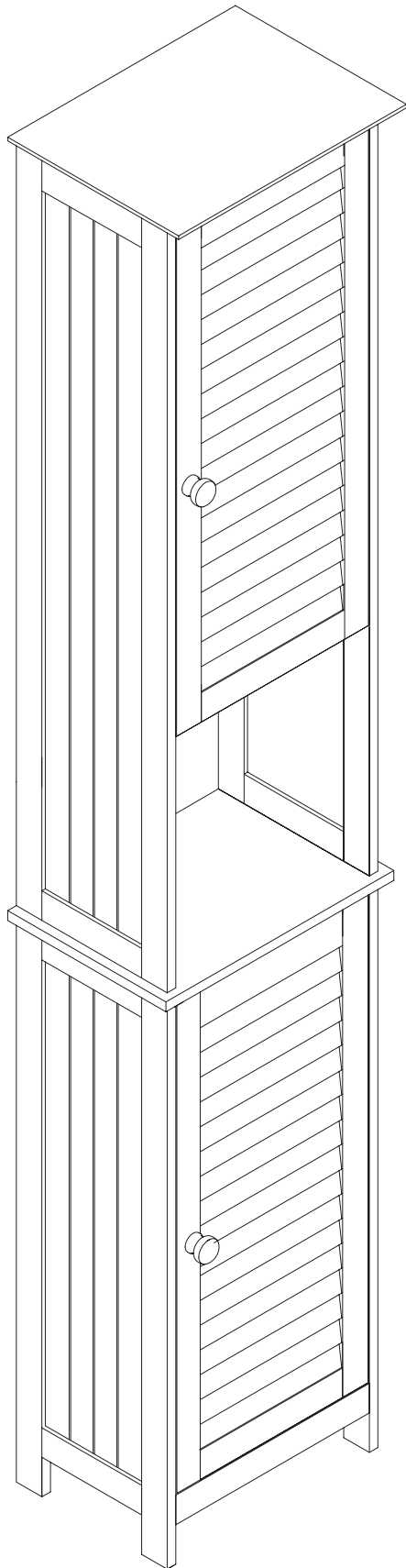
(3)x2pcs

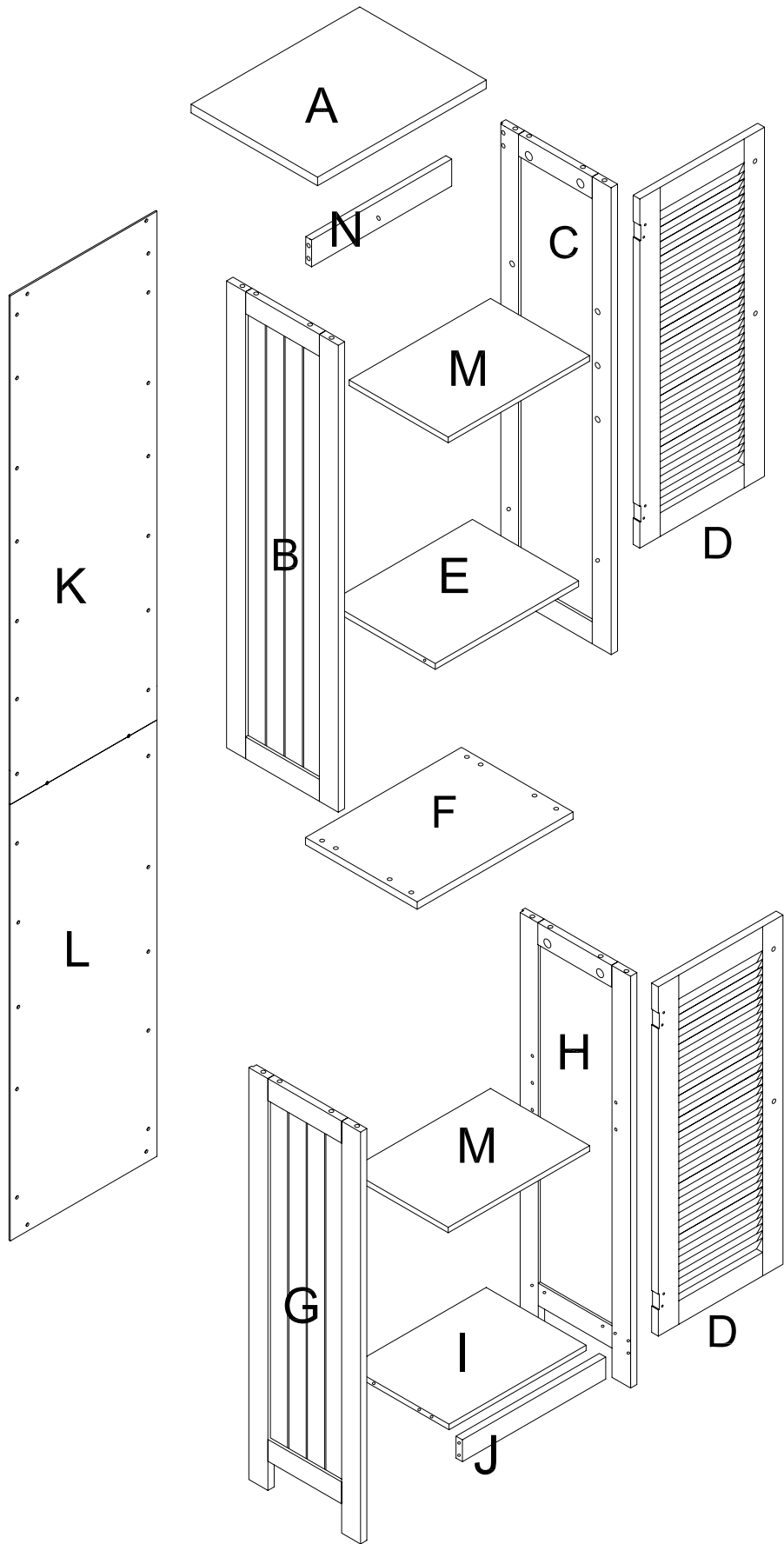


















(4)x2pcs

4

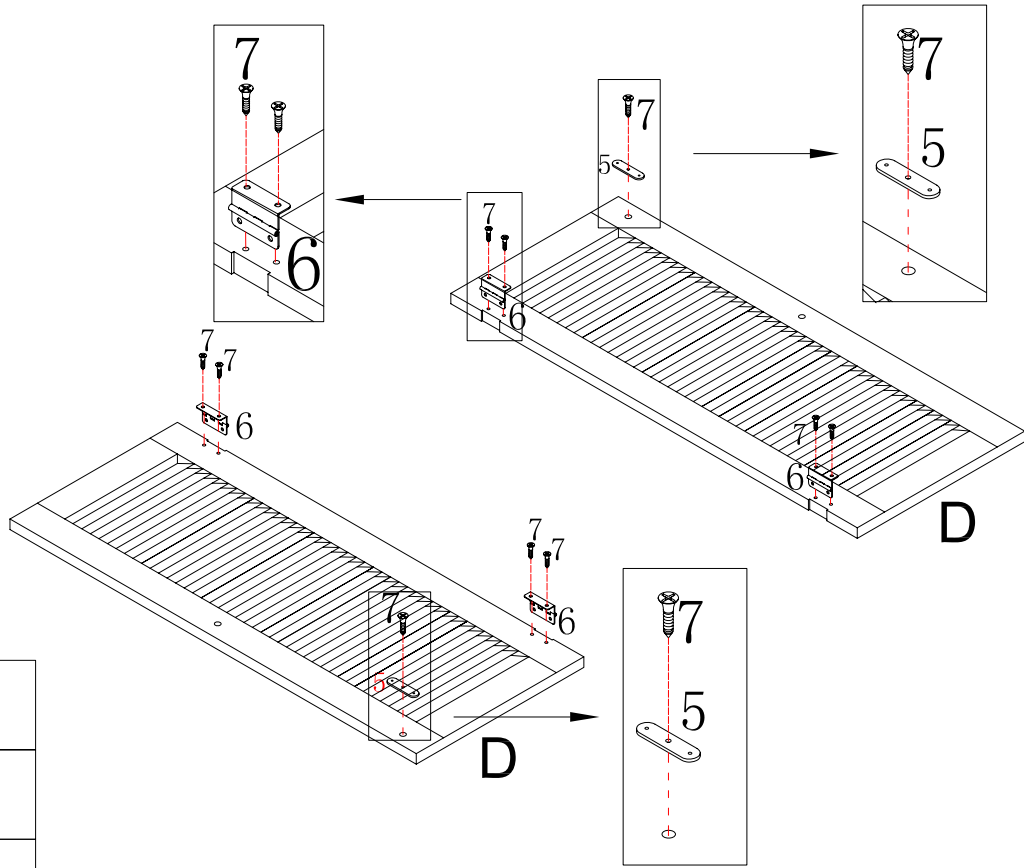


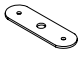
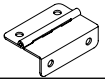





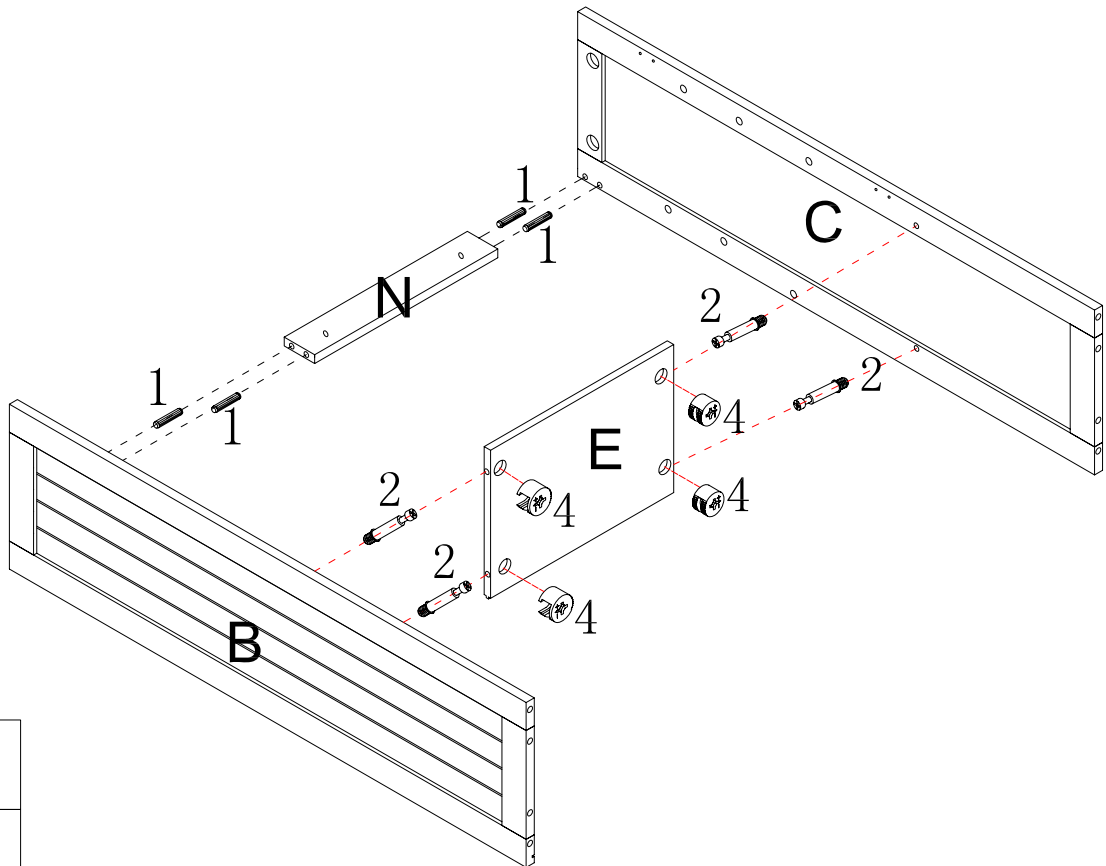
1	 $\phi 6 \times 30 \text{mm}$	24pcs
2		16pcs
3	 $\phi 15 \times 12 \text{mm}$	8pcs
4	 $\phi 15 \times 9.5 \text{mm}$	8pcs
5		2pcs
6		4pcs
7	 $\phi 3 \times 12 \text{mm}$	18pcs
8	 $\phi 4 \times 30 \text{mm}$	4pcs
9	 $\phi 2.2 \times 10 \text{mm}$	30pcs
10	 $\phi 4 \times 18 \text{mm}$	2pcs
11		2pcs
12		2pcs
13		8pcs
14	 $\phi 2.5 \times 12 \text{mm}$	4pcs
15	 $\phi 3.5 \times 40 \text{mm}$	1pc
16		1pc

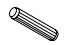
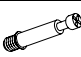

1



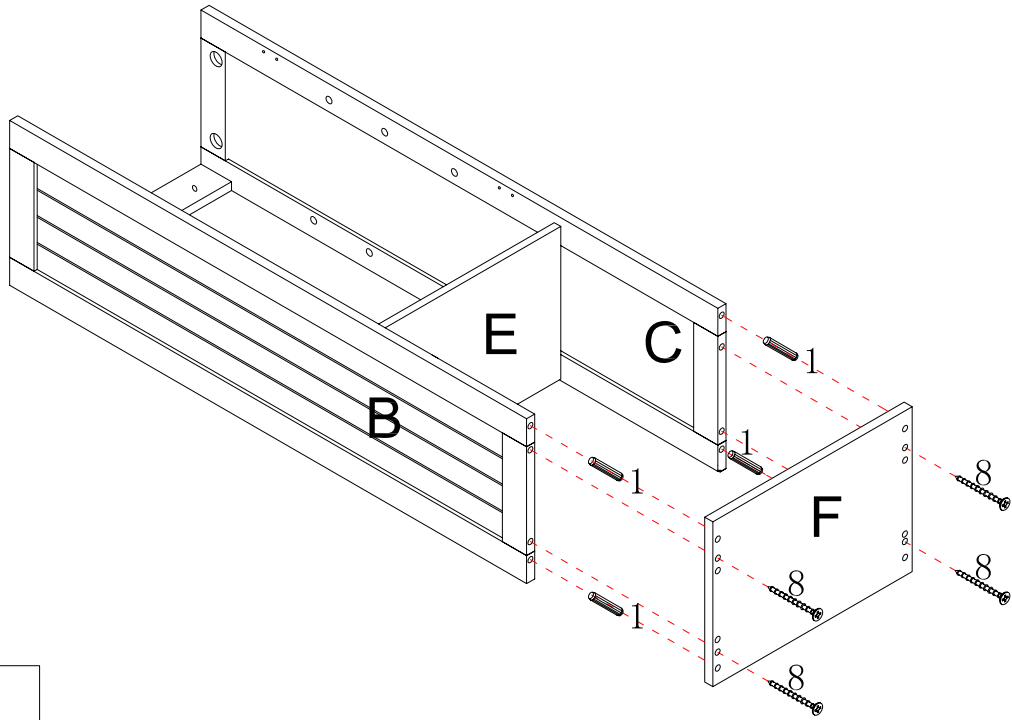
	5x2pcs
	6x4pcs
	7x10pcs



2



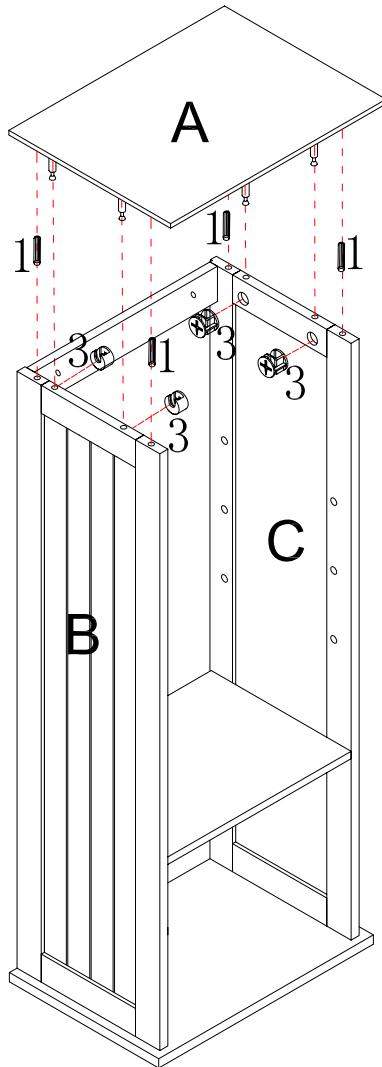
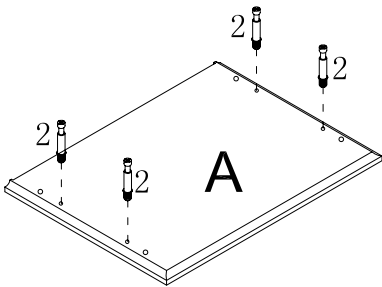
	1x4pcs
	2x4pcs
	4x4pcs




3



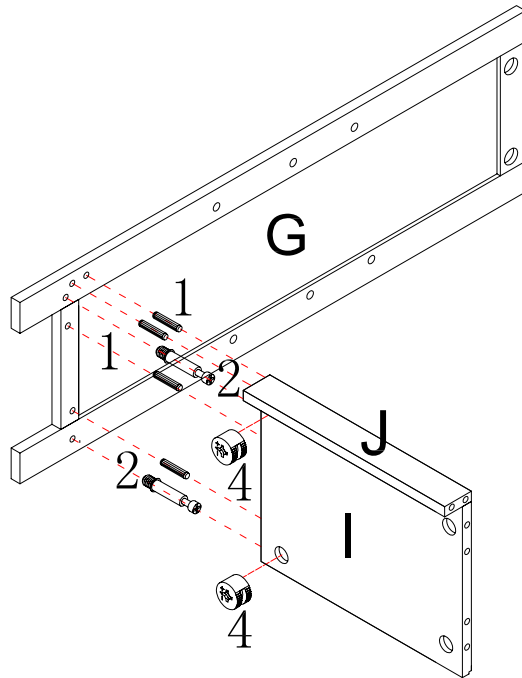
	1x4pcs
	8x4pcs


4





	1x4pcs
	2x4pcs
	3x4pcs

5

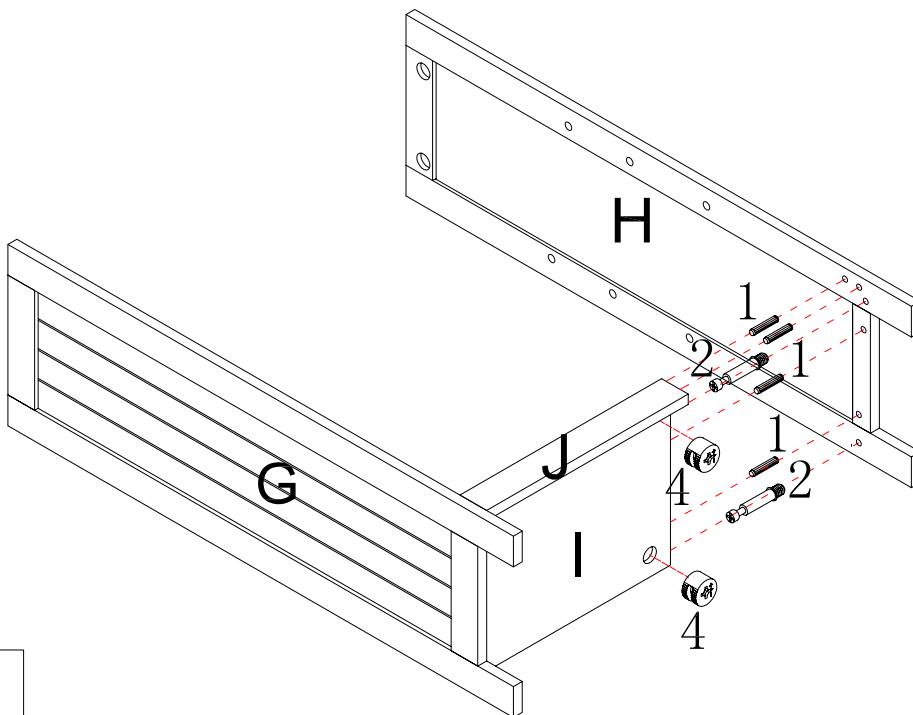



 1x4pcs


 2x2pcs


 4x2pcs

6

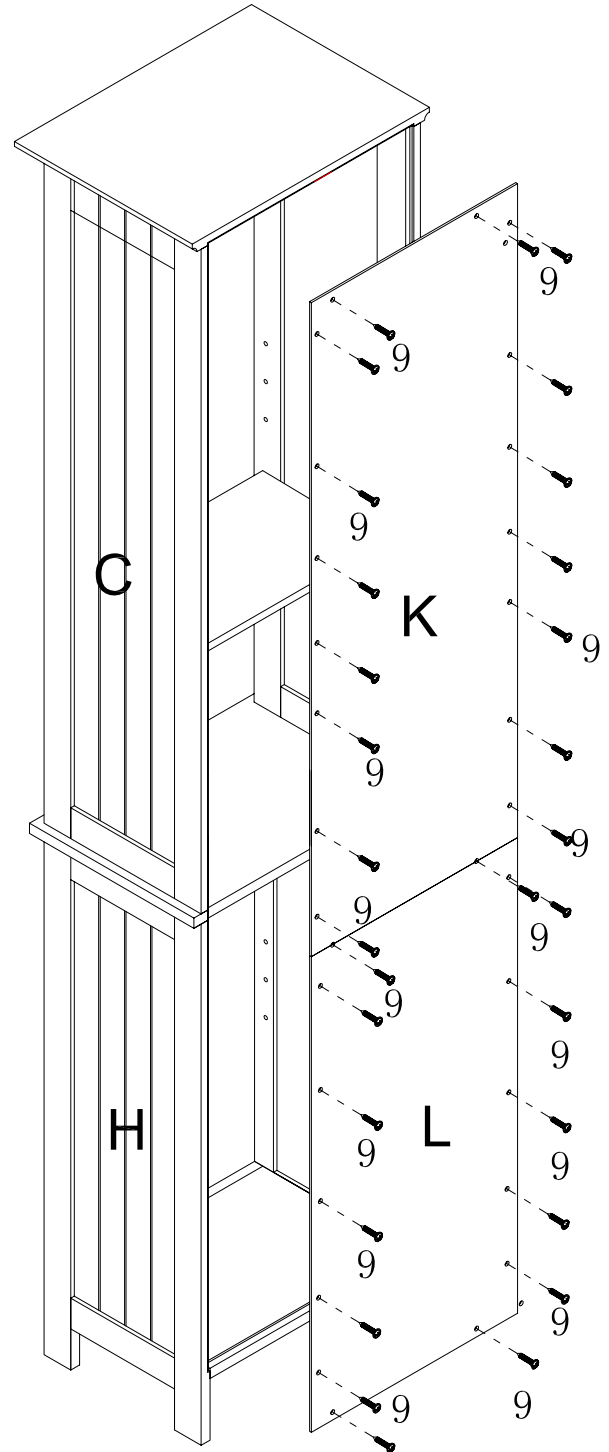
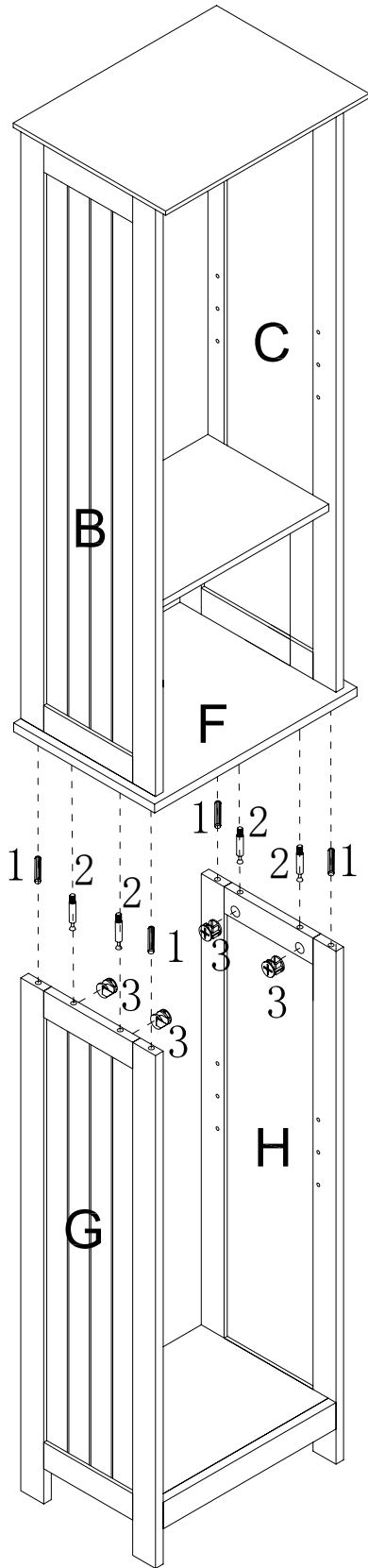
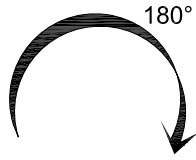






 1x4pcs

 2x2pcs

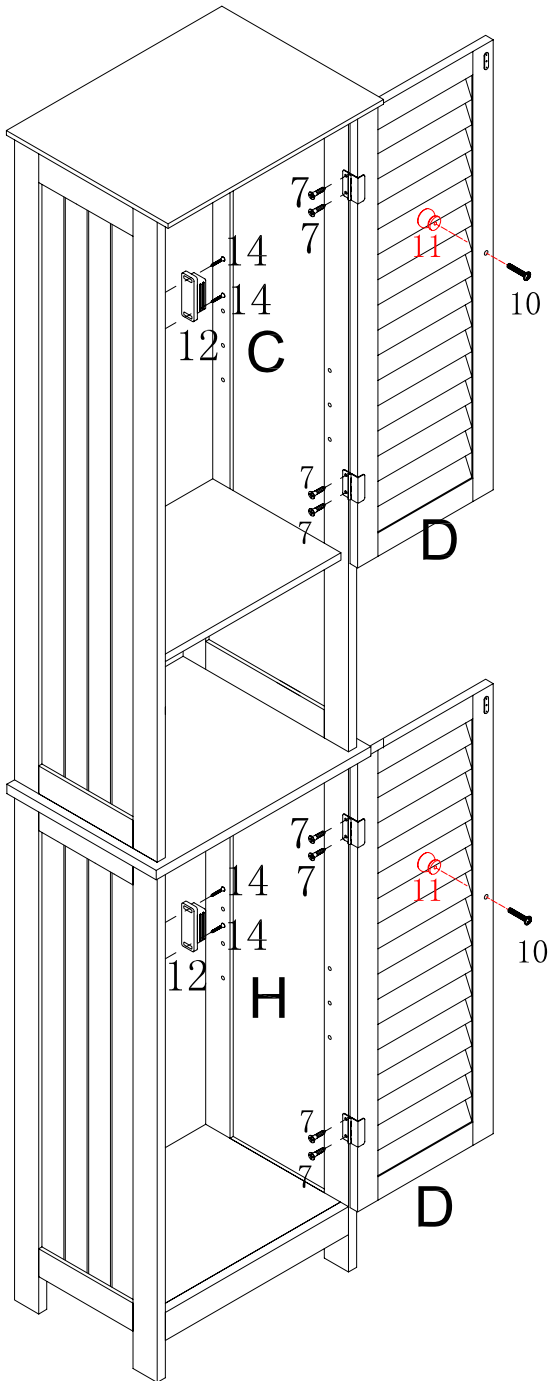
 4x2pcs

7

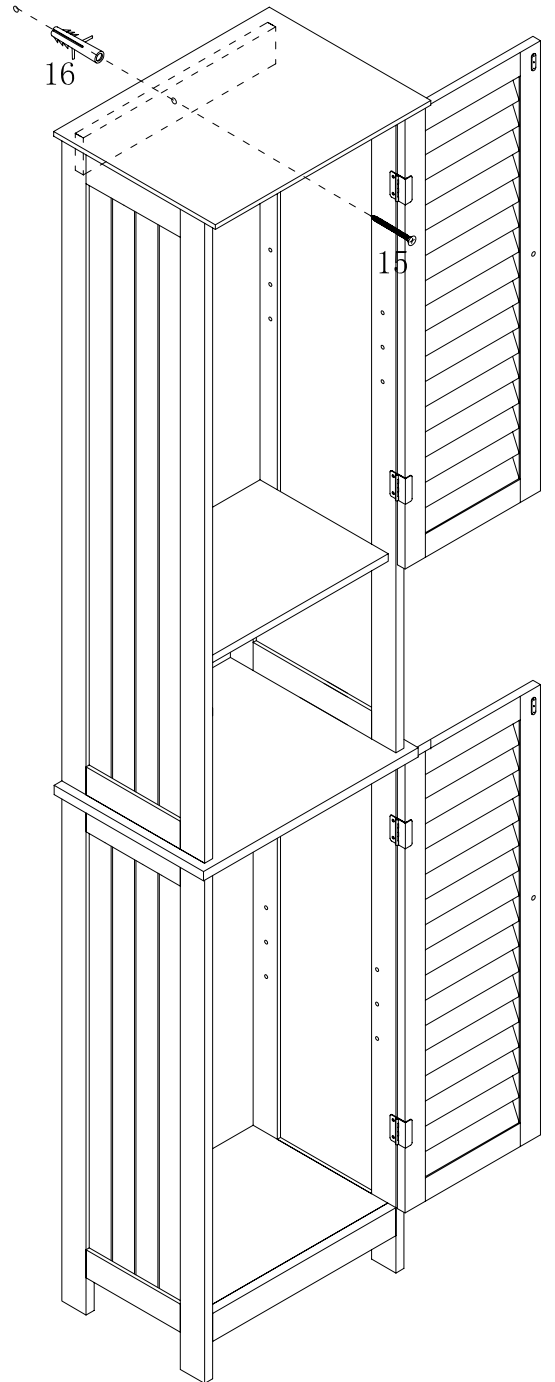


 1x4pcs	 3x4pcs
 2x4pcs	 9x30pcs

8



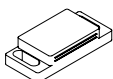
9



7x8pcs



10x2pcs



12x2pcs



11x2pcs



14x4pcs



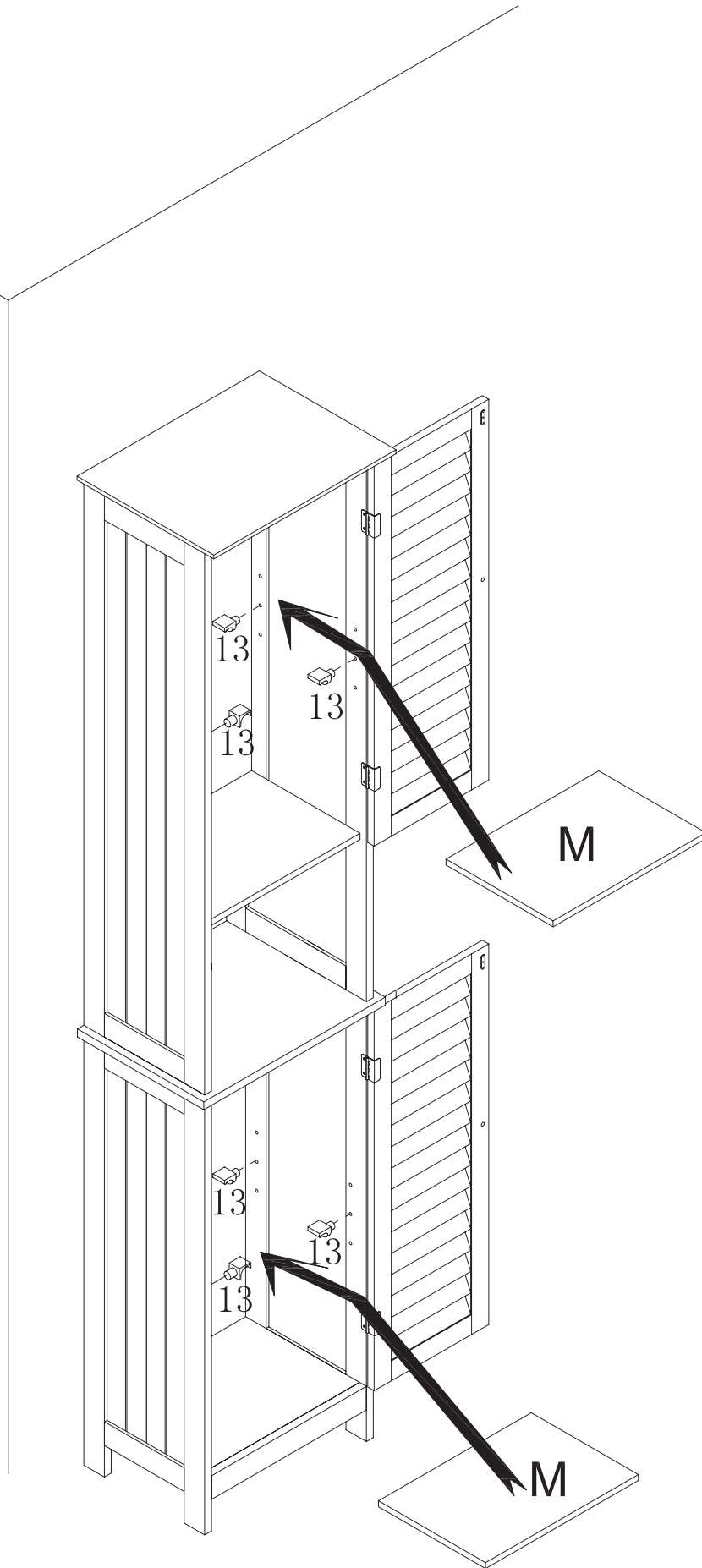
15x1pc



16x1pc

7 - 8

10



13x8pcs