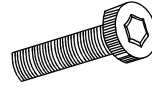
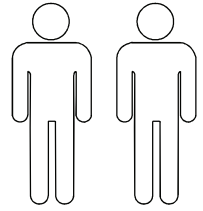
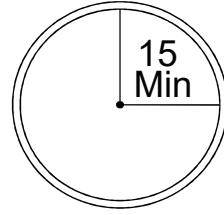
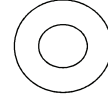


Art. No.67546-110



(8x20mm)

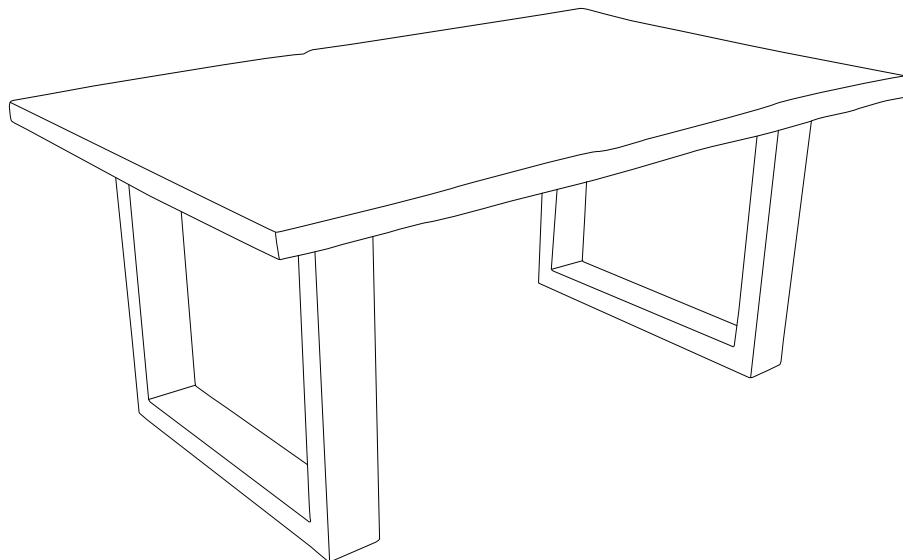
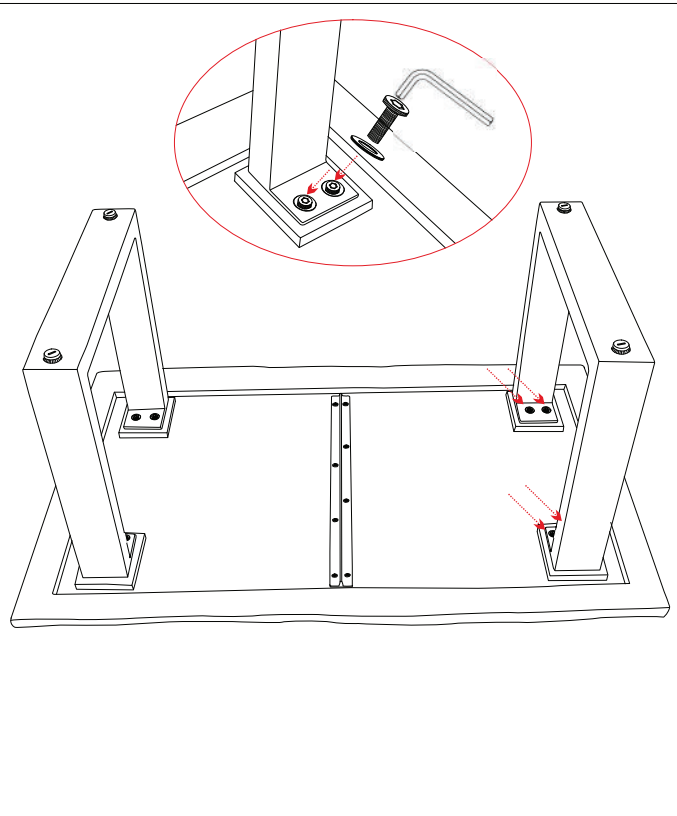
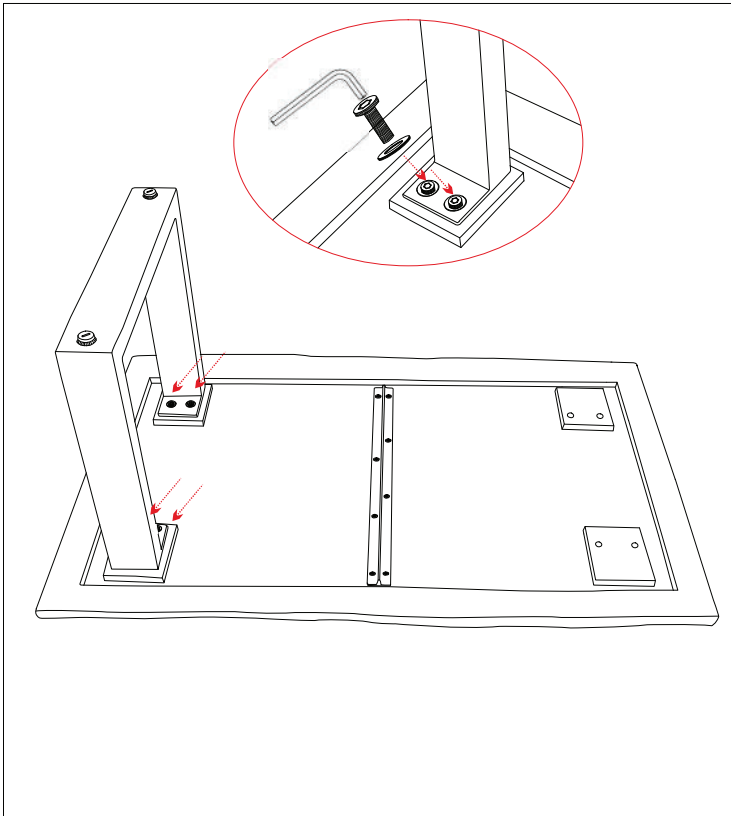


(8 Pcs.)



(8 Pcs.)

(1 Pcs.)



Assembled Product