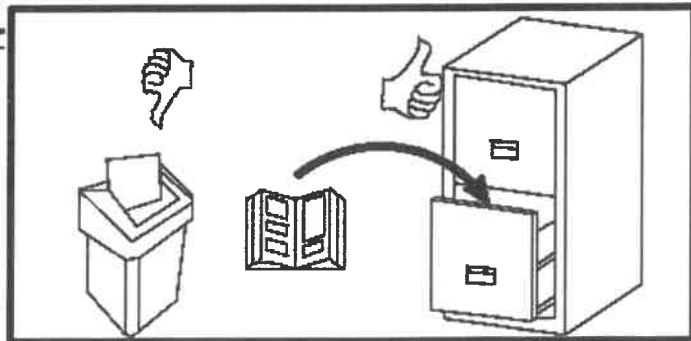
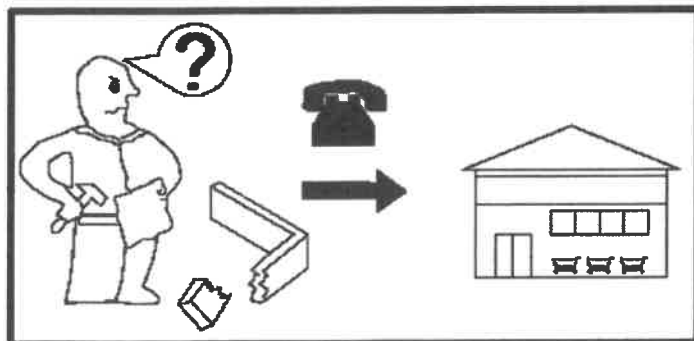
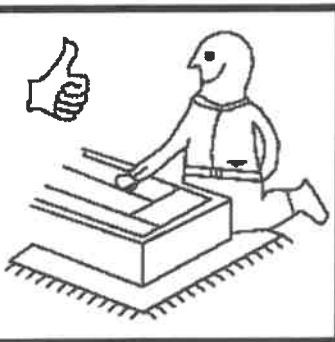
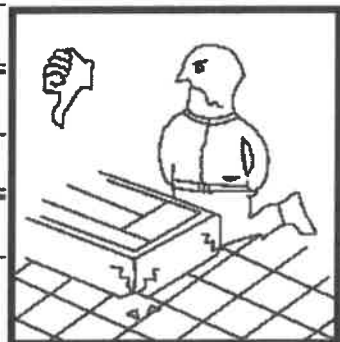
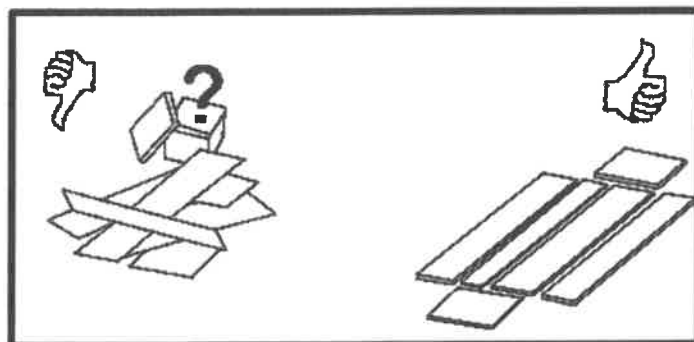
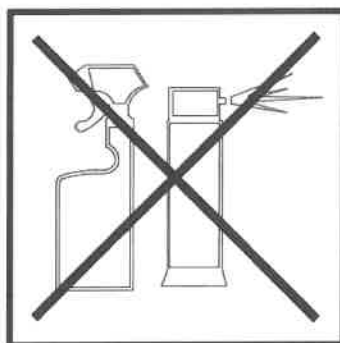
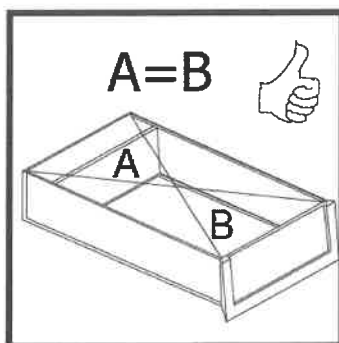
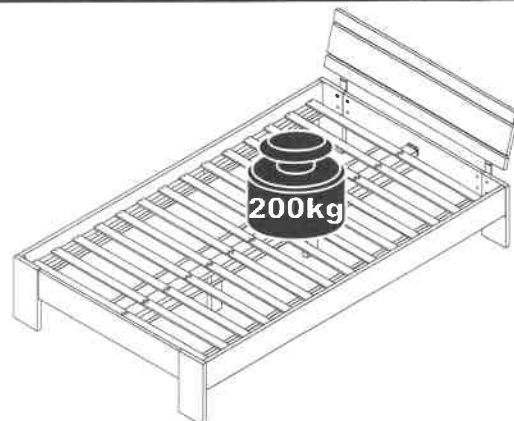
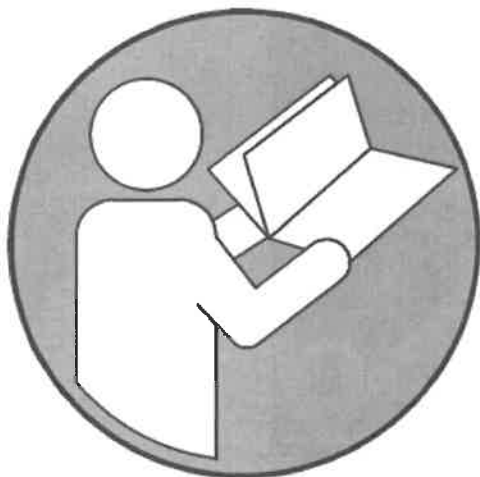
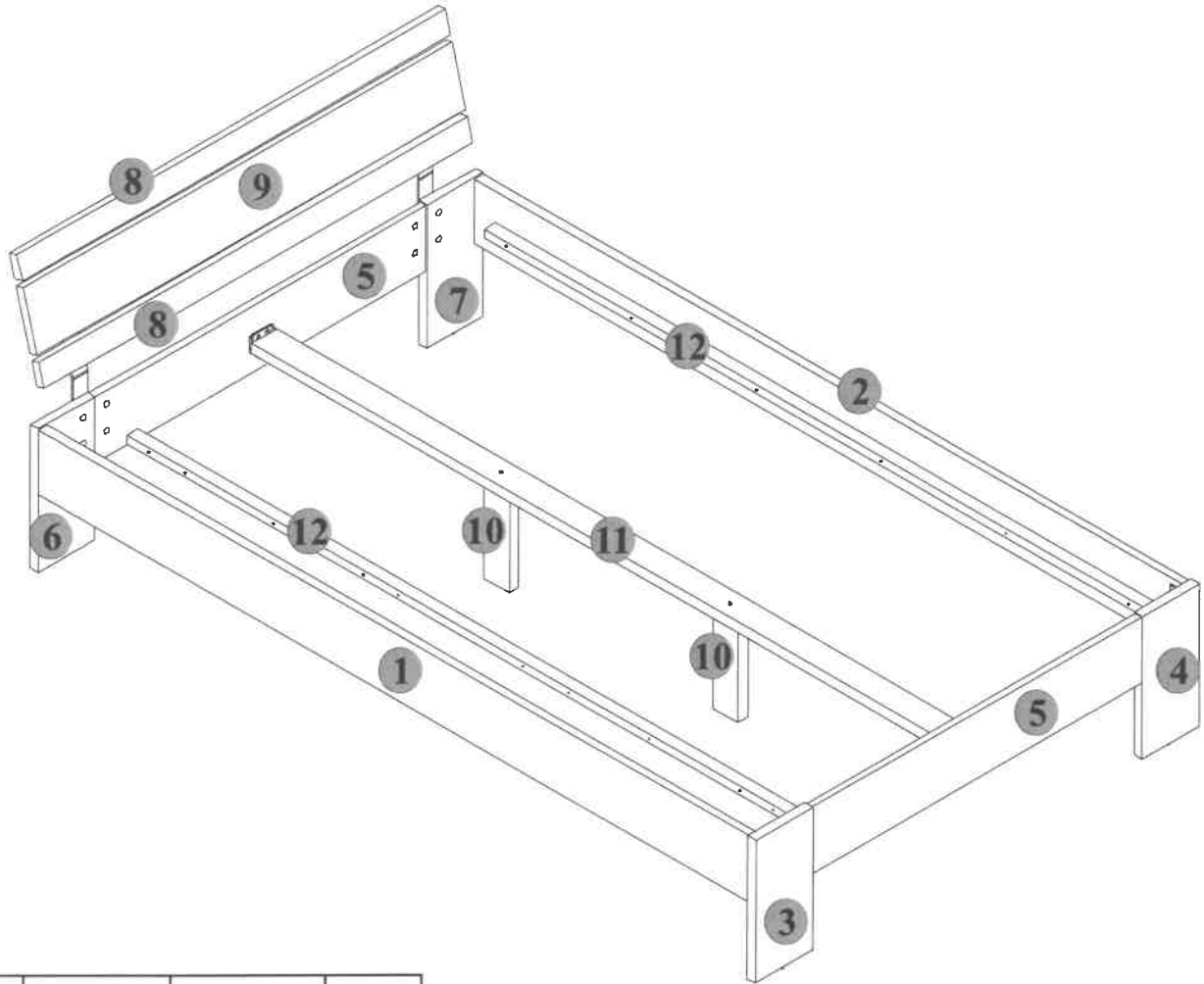


code: 50-024
50-524

JOKER/140

D13-JOKER/140

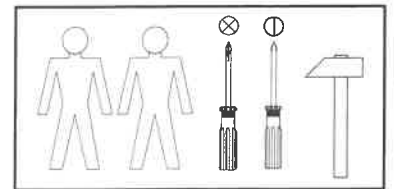




A	B	C	D
1	D13-186	1996x160x22	1/2
2	D13-185	1996x160x22	1/2
3	D13-127	350x160x22	1/2
4	D13-128	350x160x22	1/2
5	D13-1184	1130x160x18	1/2
6	D13-134	350x160x22	1/2
7	D13-135	350x160x22	1/2
8	D13-5562	1400x60x22	2/2
9	D13-5563	1400x150x22	2/2
10	MZ1-705	242x70x27	1/2
11	ZZ1-719	1983x70x27	1/2
12	ZZ1-757	1880x25x30	1/2



60min



16x $\phi 4 \times 25$ mm **p36**

4x $\phi 4 \times 40$ mm **p10**

4x $\phi 4 \times 40$ mm **p10**

2x 545x40x5 **n96**

2x **n34'**

2x **n34'**

2x 130x34x34/2mm **n63**

12x $\phi 4 \times 45$ mm **p11**

6x $\phi 3.5 \times 25$ mm **p16**

12x $\phi 5 \times 20$ mm **p45**

8x $\Phi 8 \times 30$ mm **f1**

8x $\phi 8 \times 50$ mm **f6**

4x $\Phi 10 \times 40$ mm **f27**

16x $\phi 6.3 \times 13$ mm **e2**

8x $\phi 6 \times 13$ mm **e3**

6x $\phi 7 \times 70$ mm **e27**

8x $\phi 15 \times 12$ mm #16 **r1**

8x $\phi 15 \times 15$ mm #22 **r3**

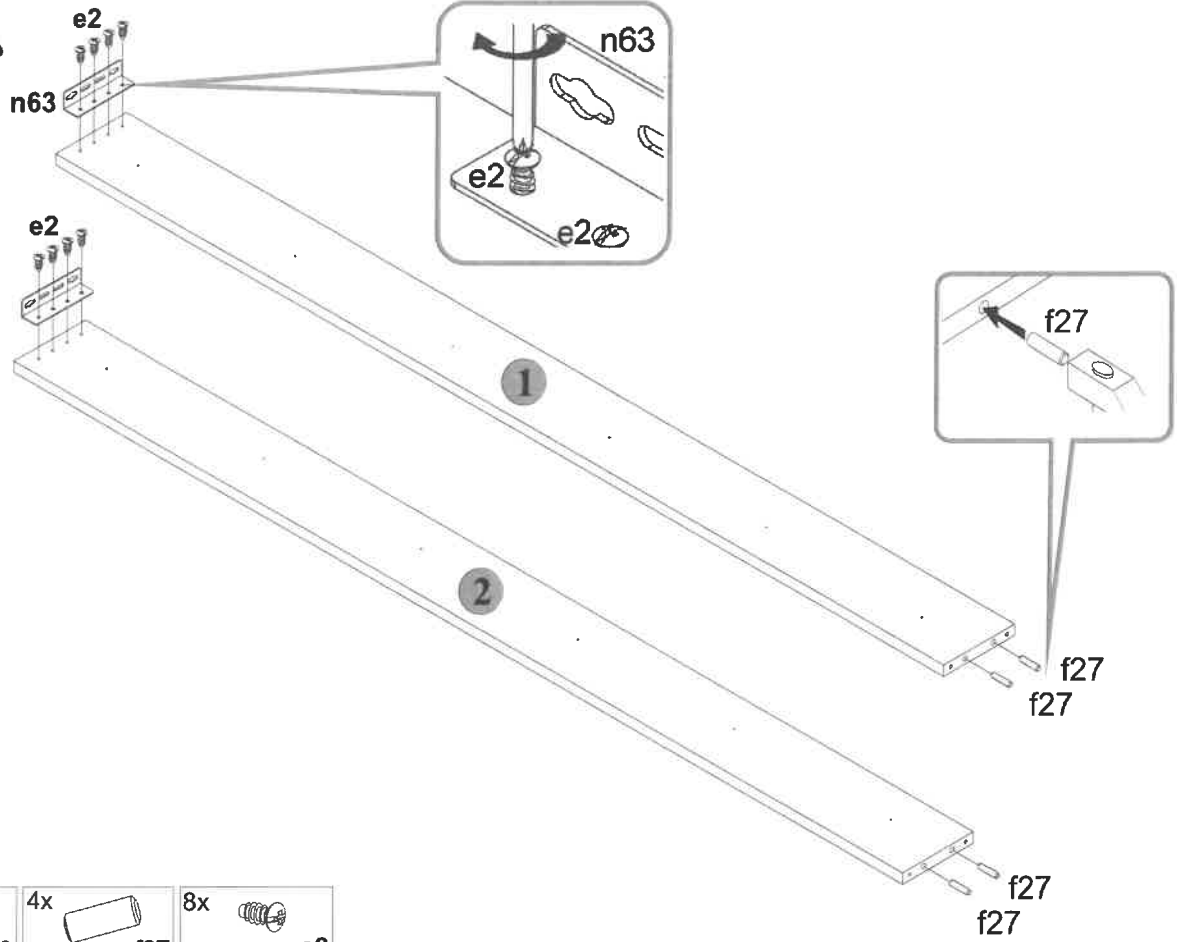
8x **r10**

4x **s1**

1x 15g **y1**

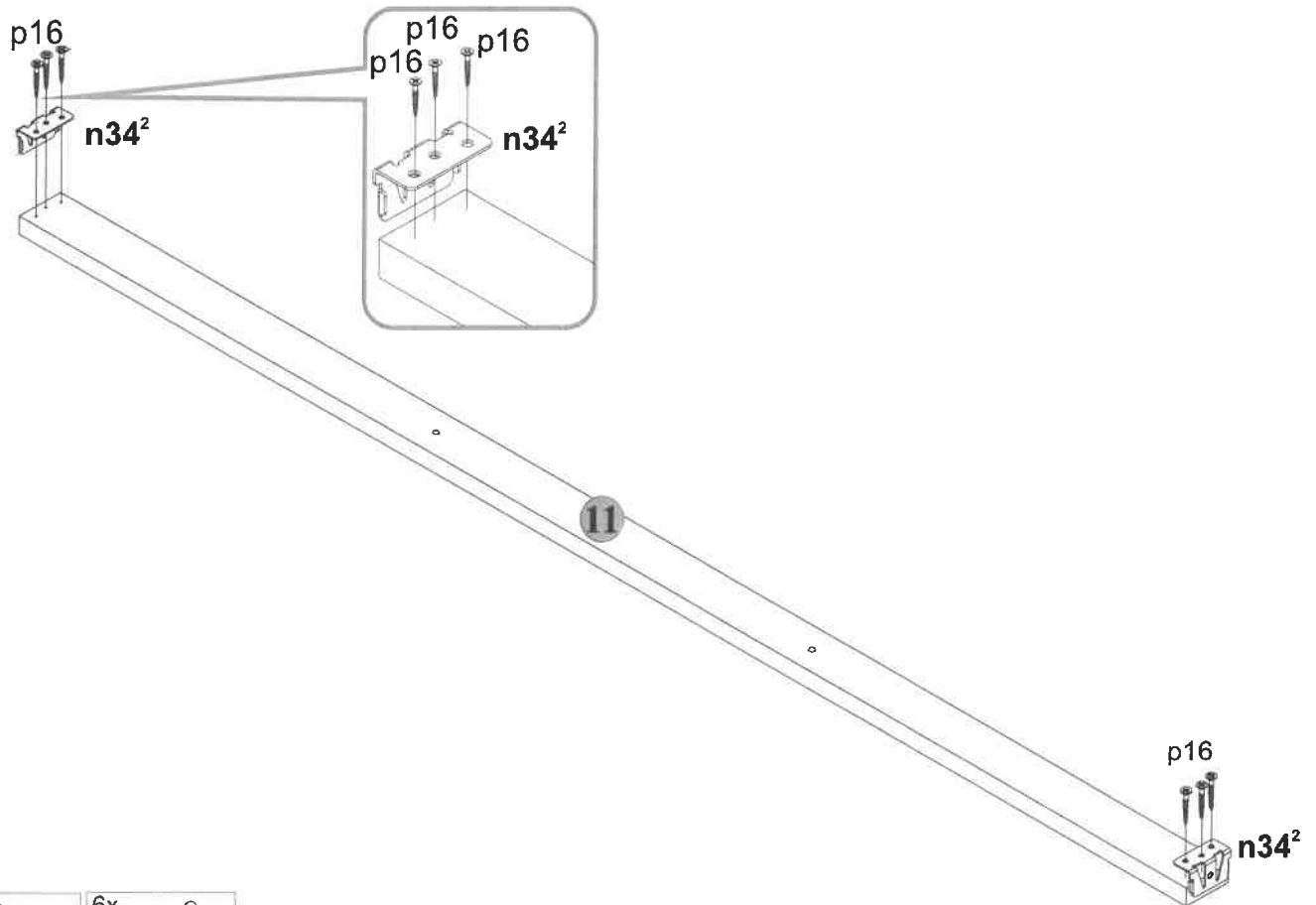
1x **z1**

1



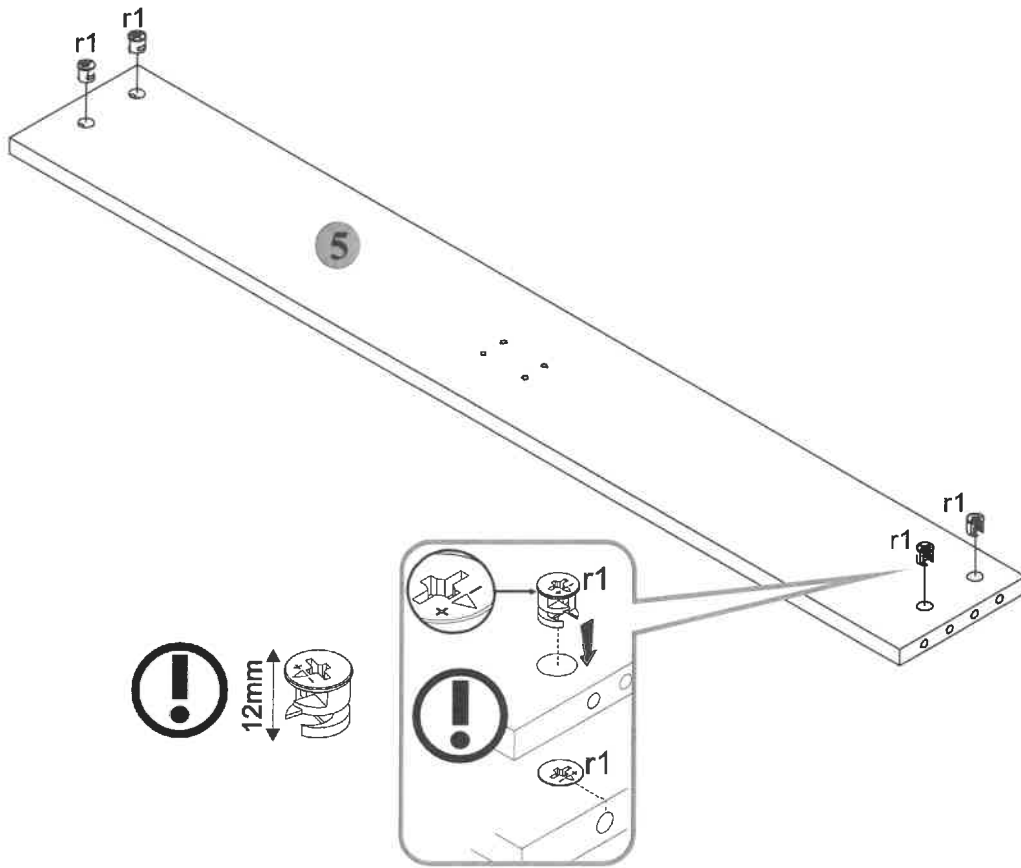
- 2x 130x34x34/2mm n63
- 4x Ø10x40 mm f27
- 8x Ø6.3x13 mm e2

2



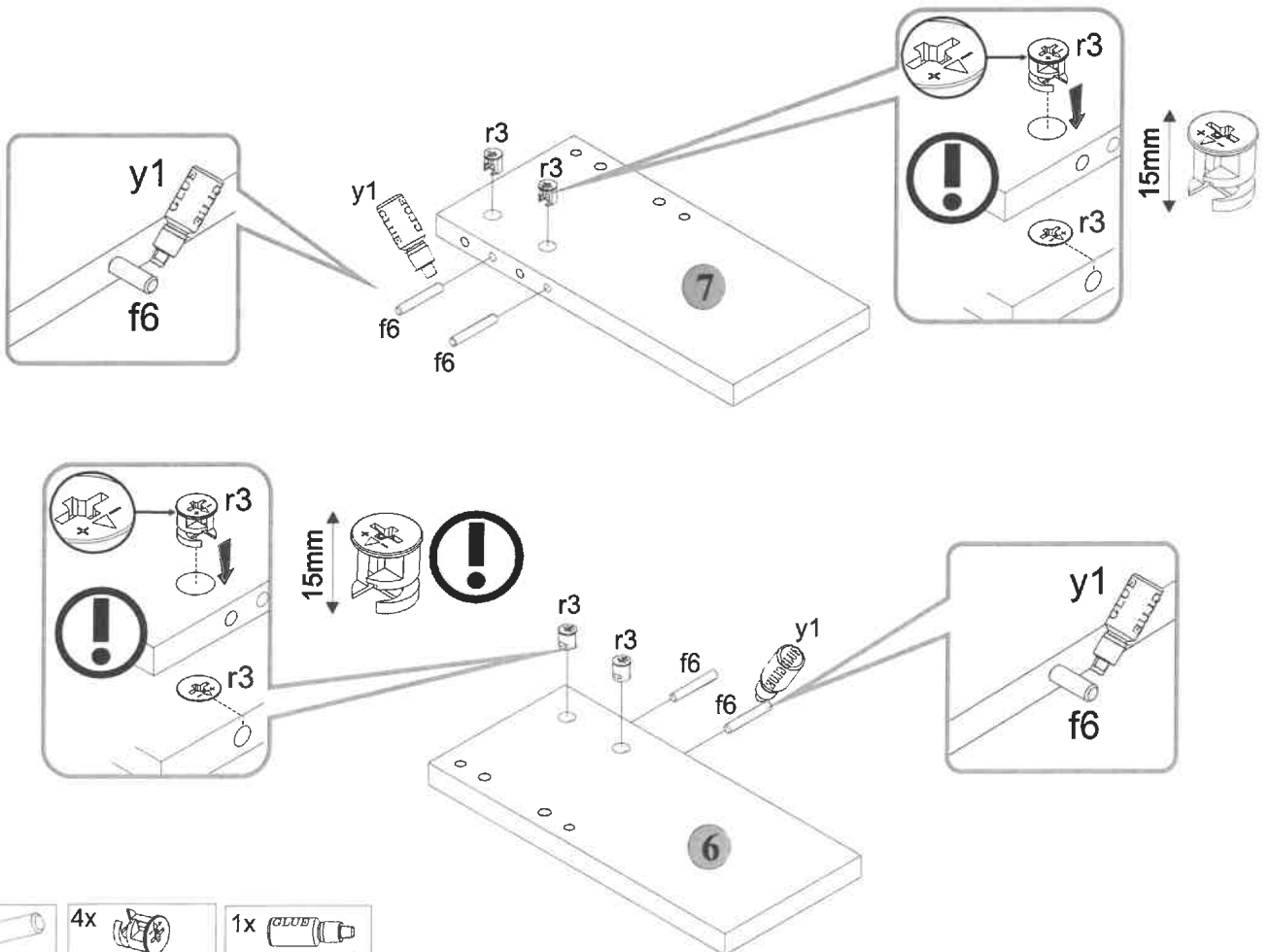
- 2x n34²
- 6x Ø3.5x25 mm p16

3



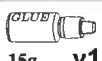
4x  $\phi 15 \times 12 \text{ mm}$ #16 r1

4

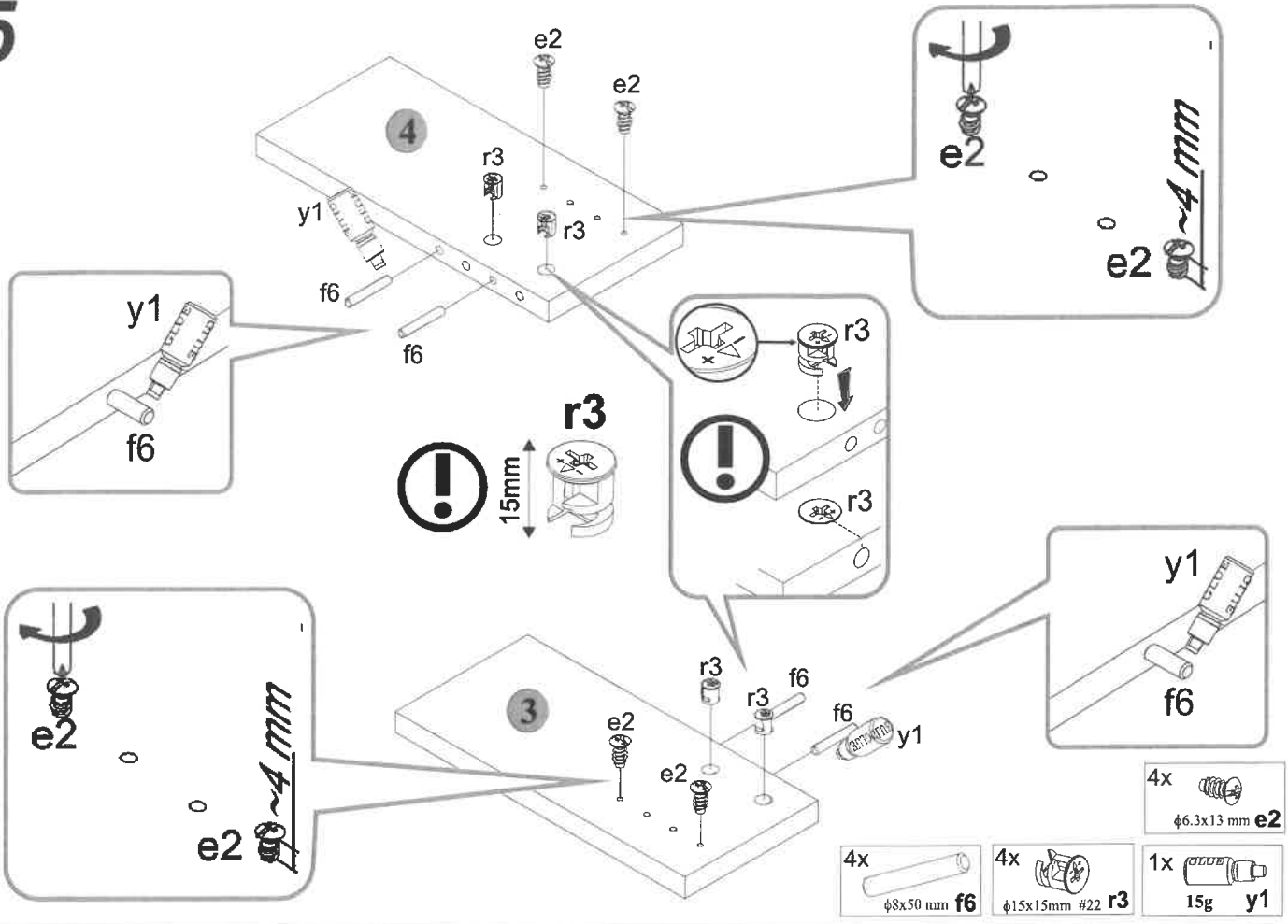


4x  $\phi 8 \times 50 \text{ mm}$ f6

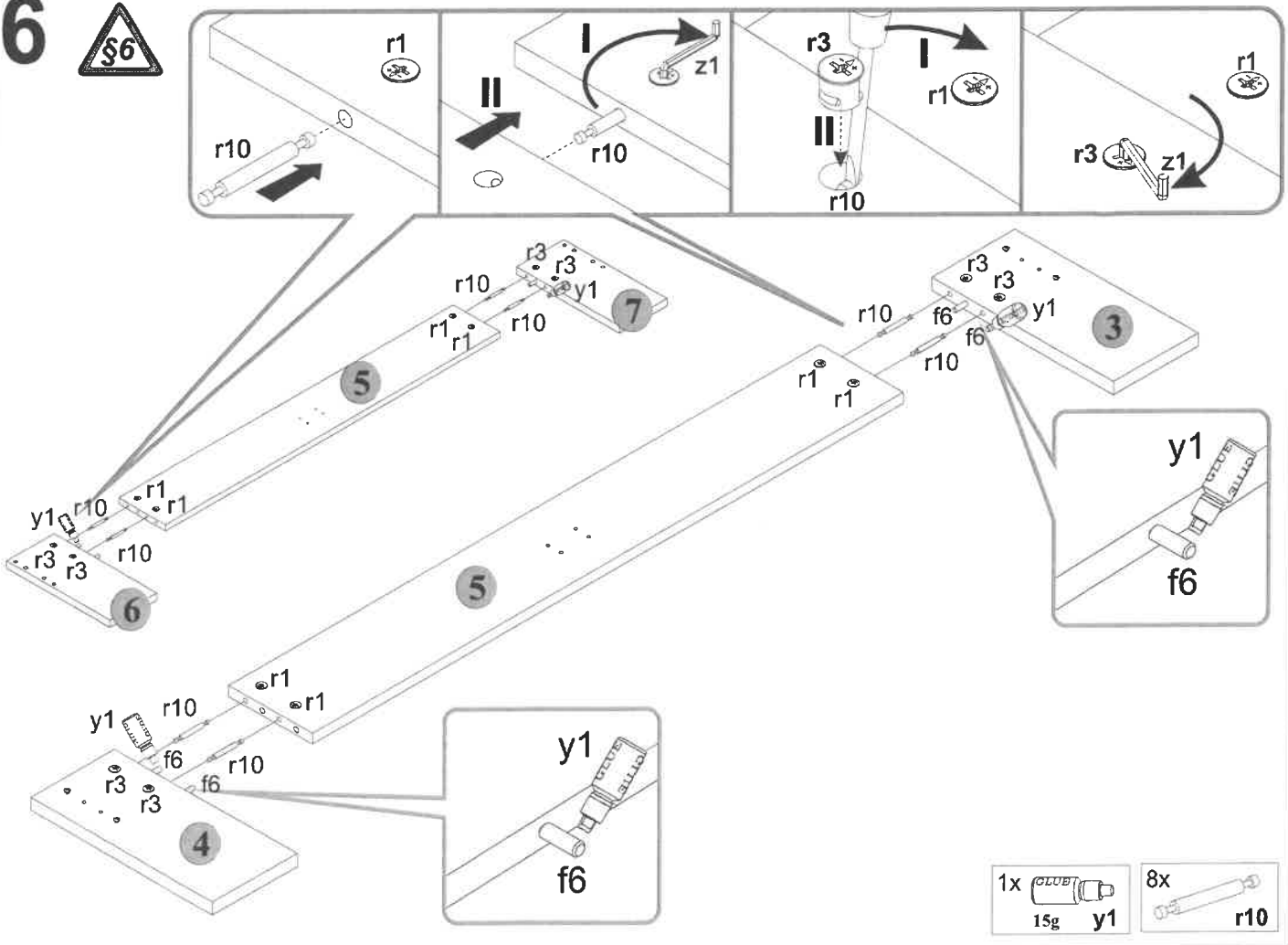
4x  $\phi 15 \times 15 \text{ mm}$ #22 r3

1x  15g y1

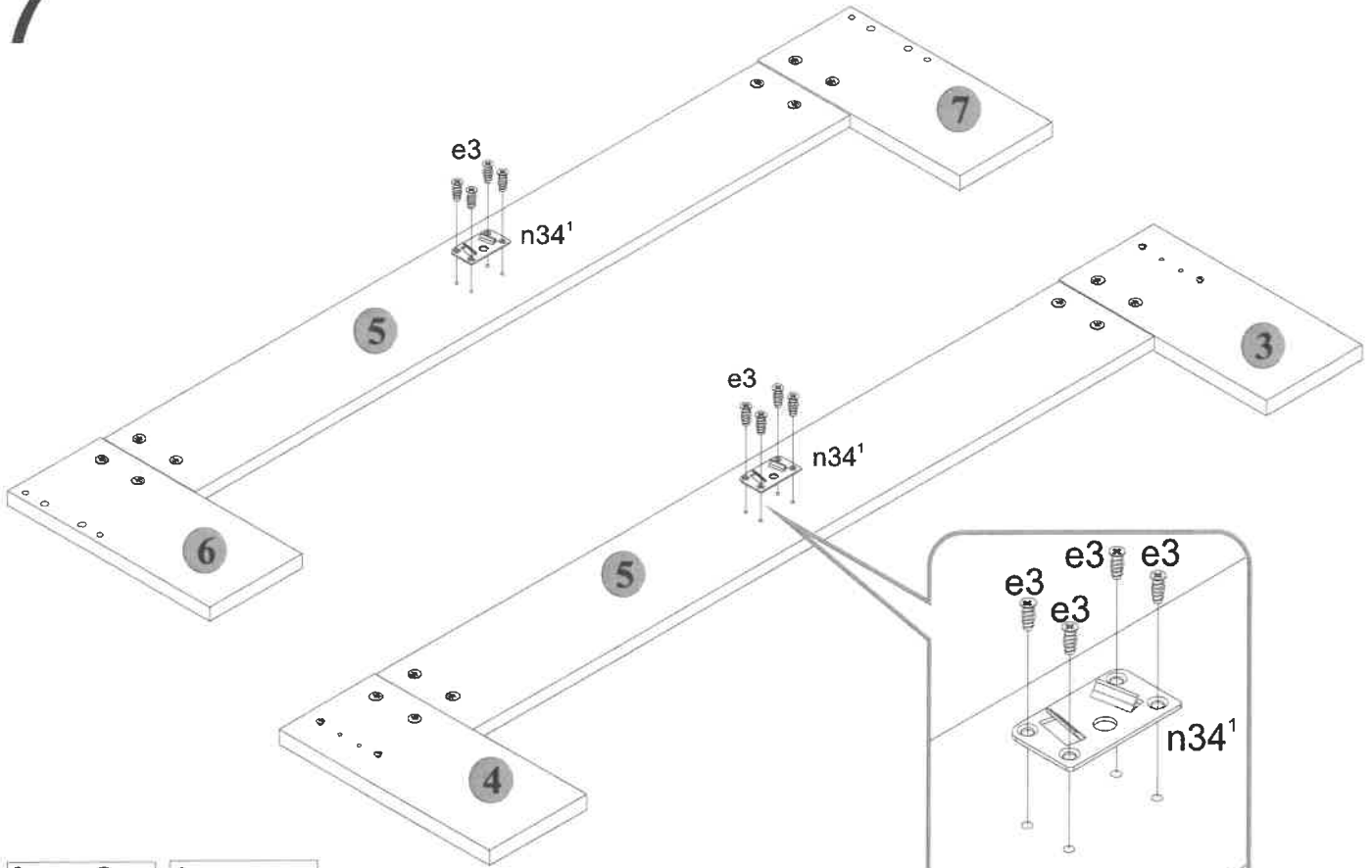
5



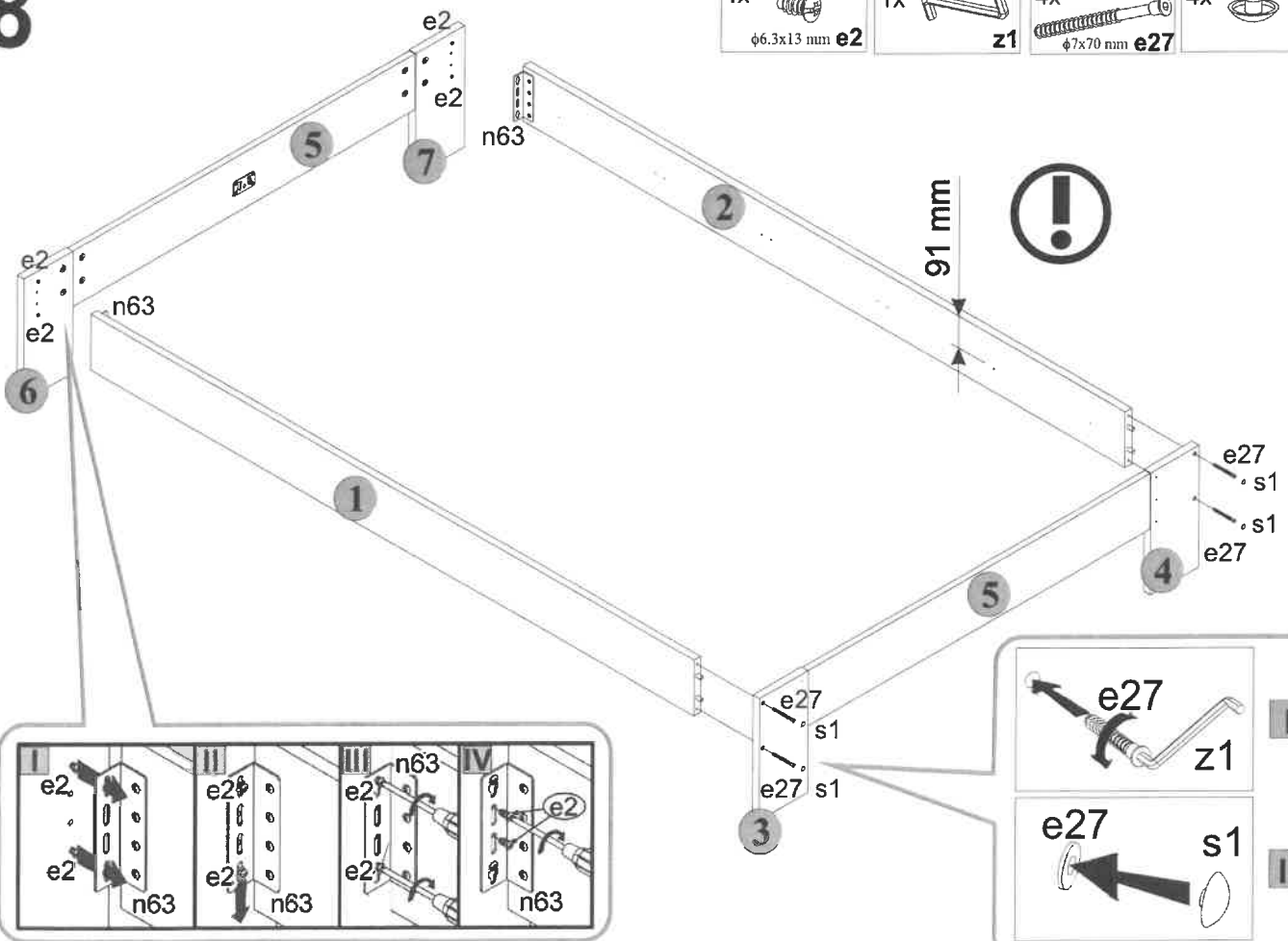
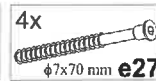
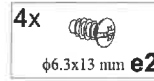
6



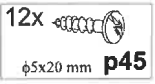
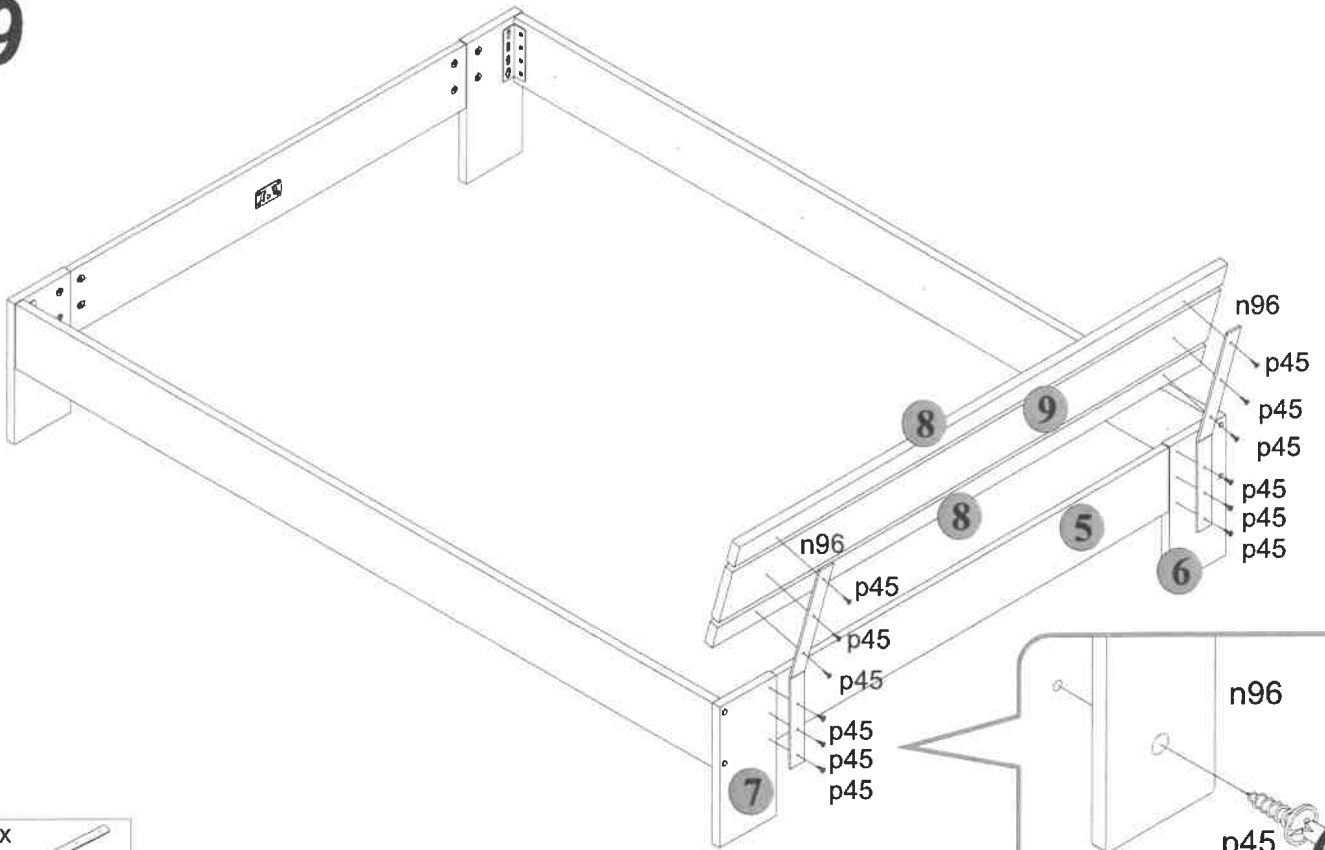
7



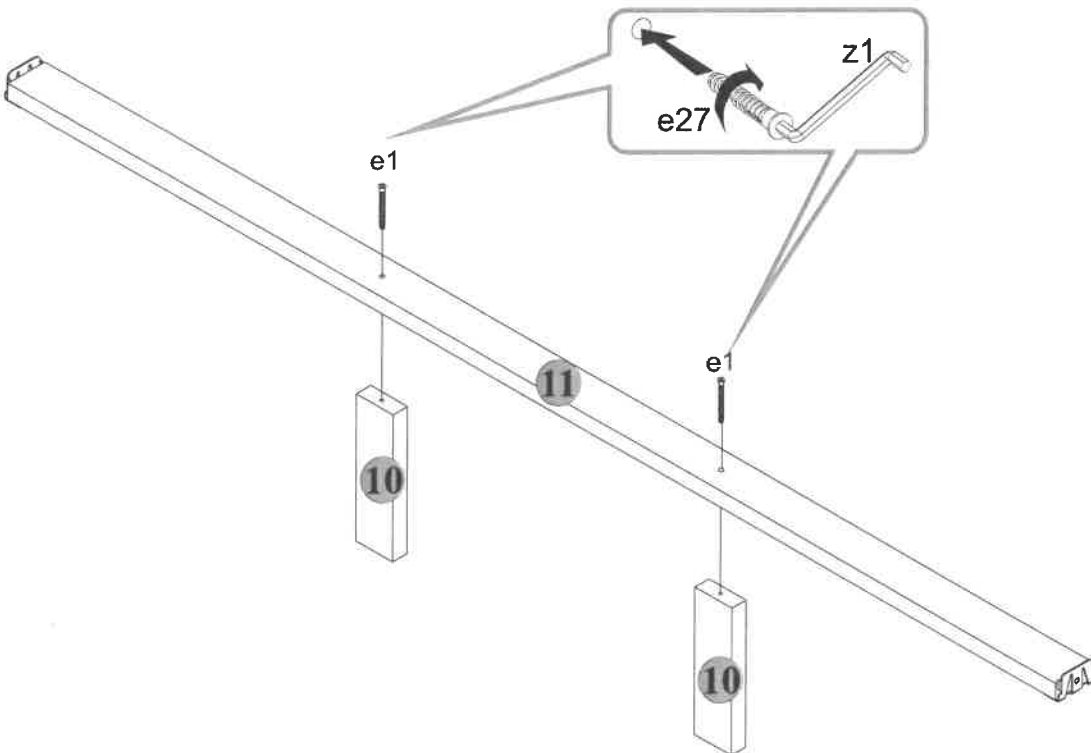
8



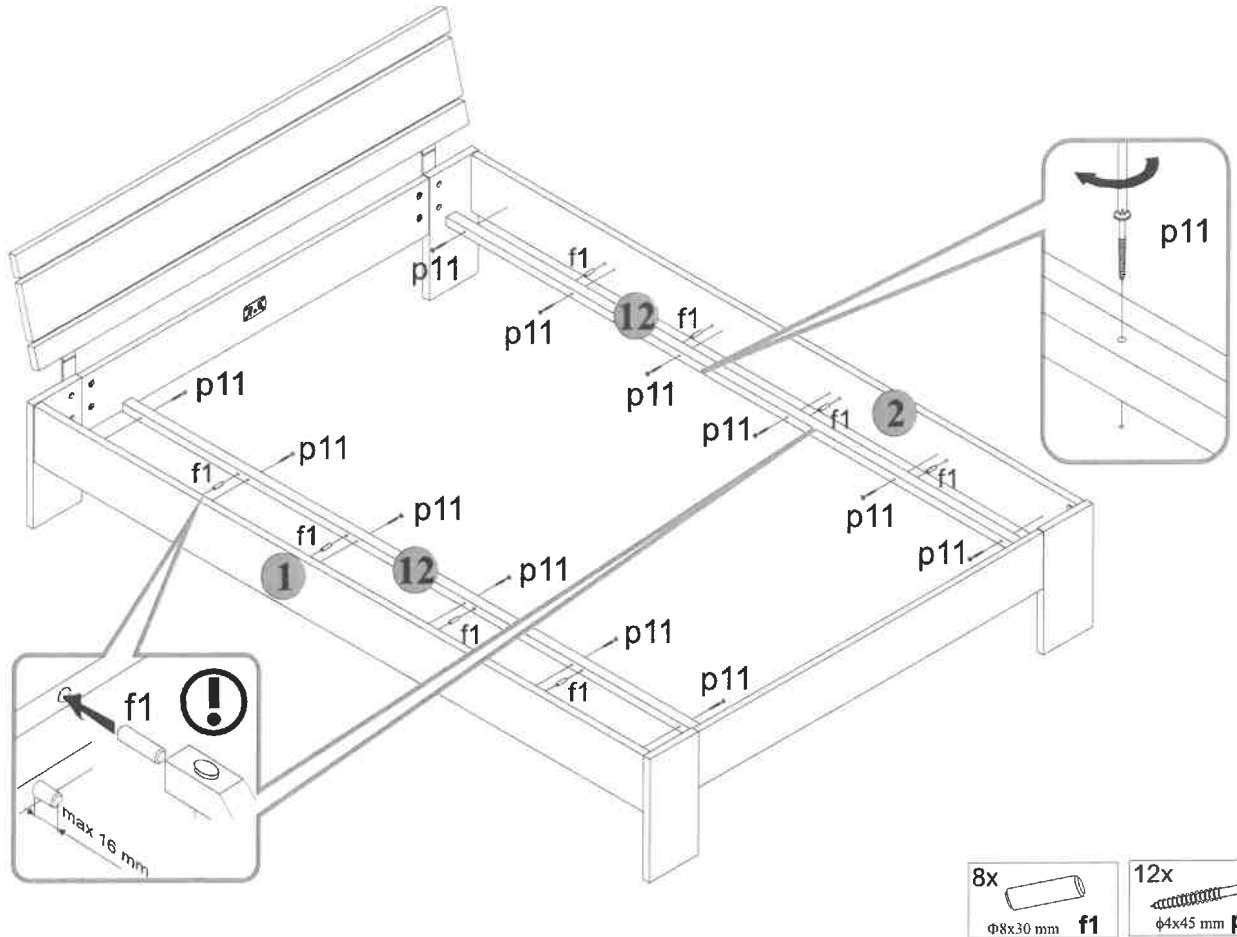
9



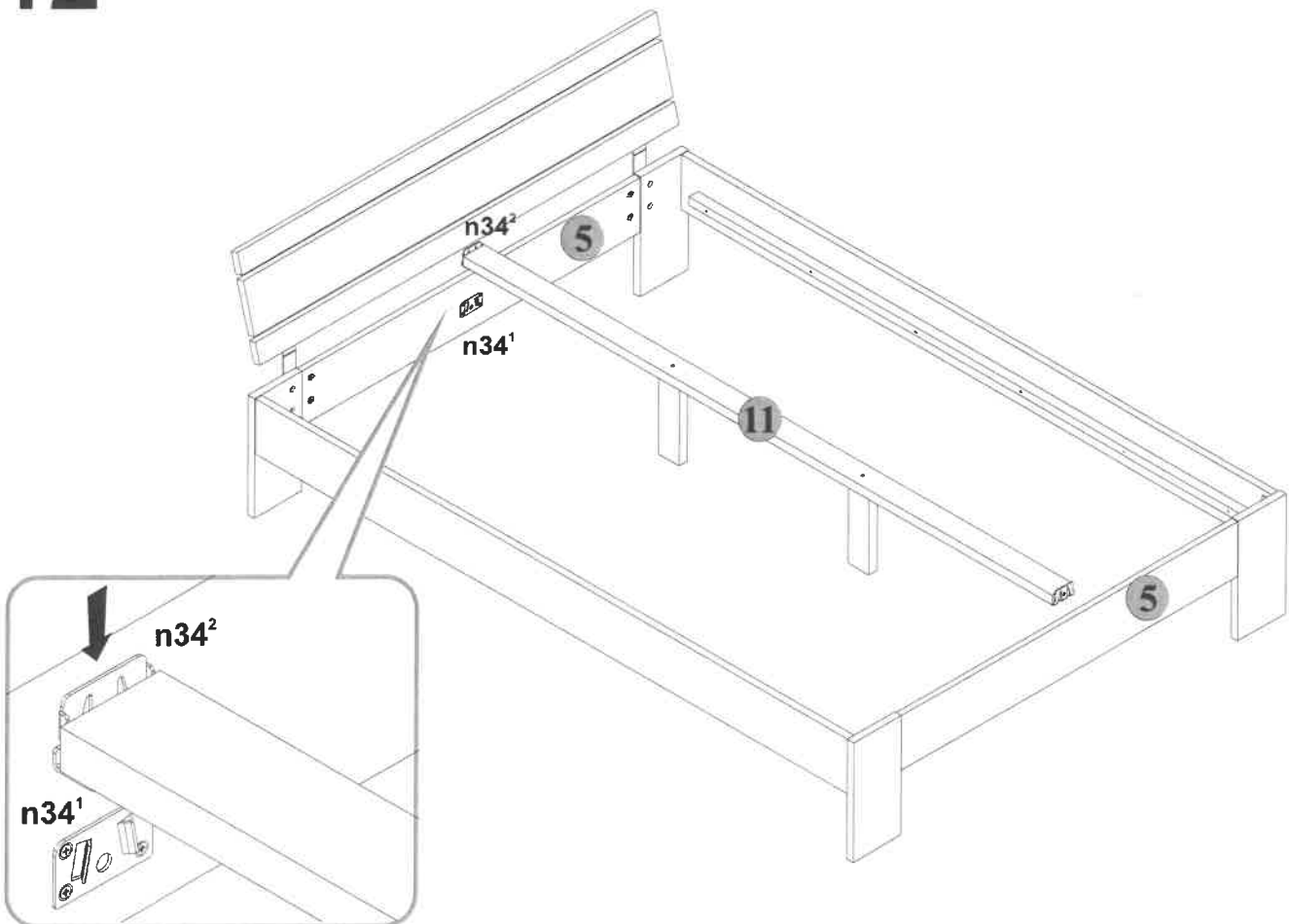
10



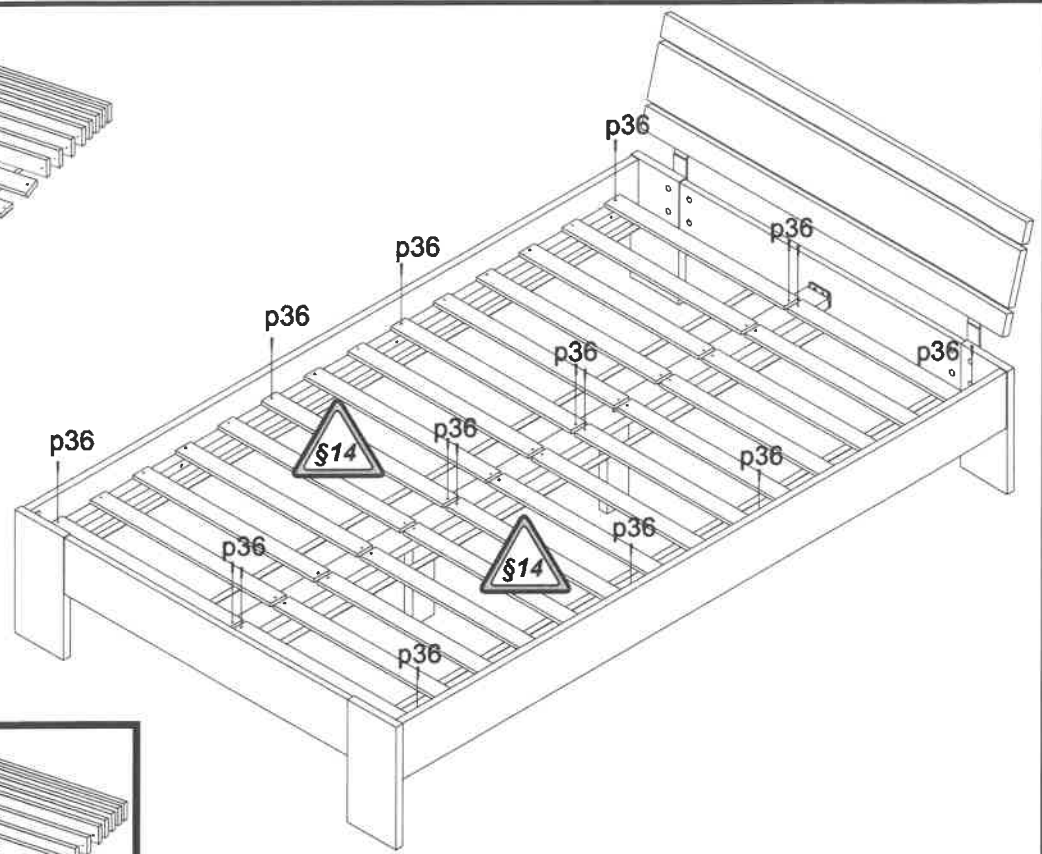
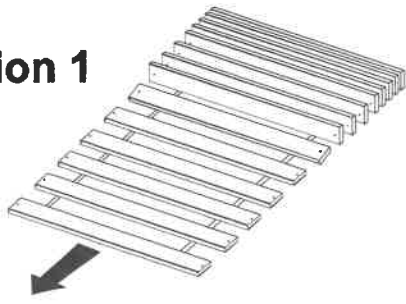
11



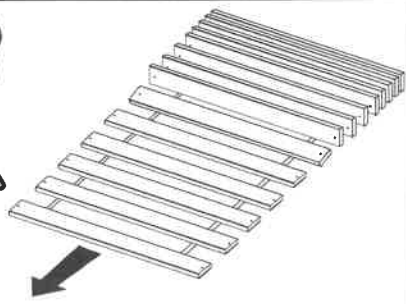
12



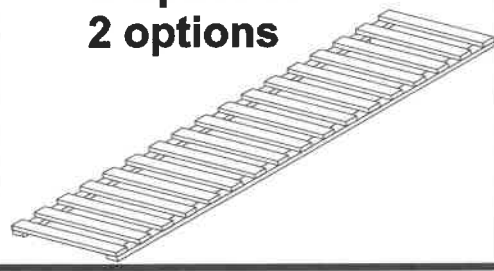
Option 1



13



2 Optionen
2 options



Option 2

