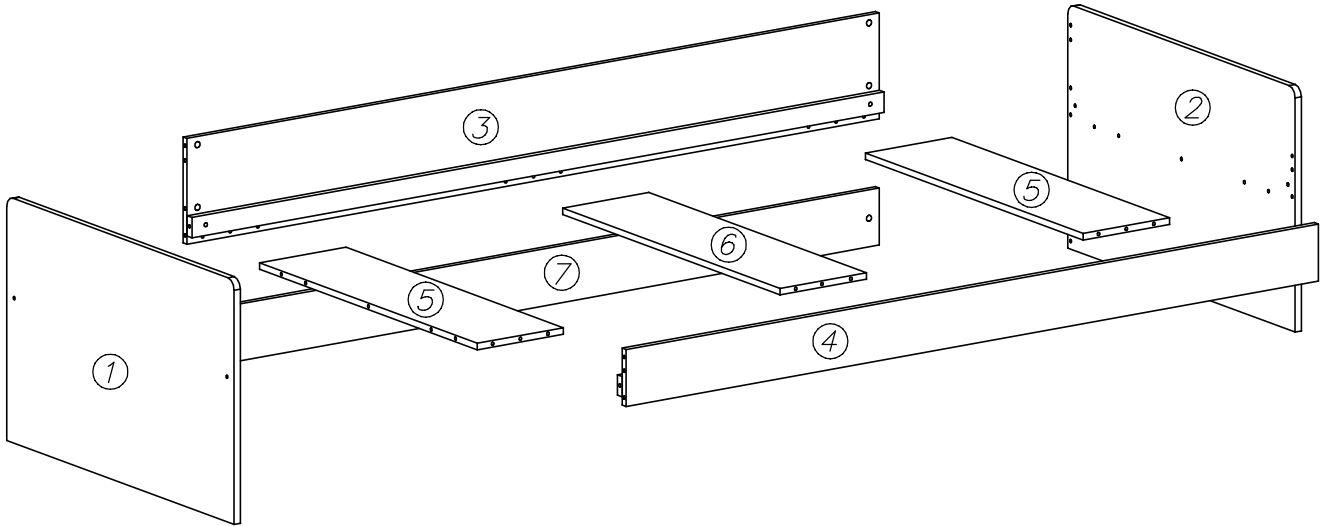
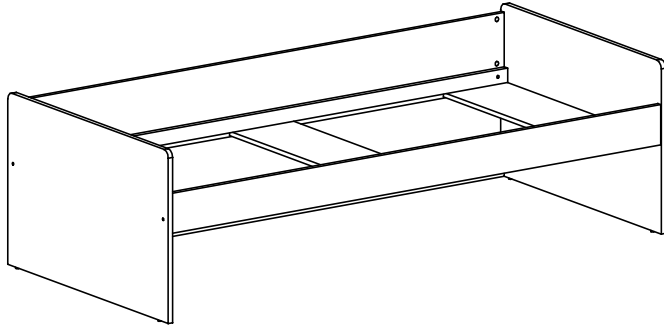
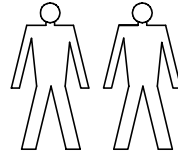
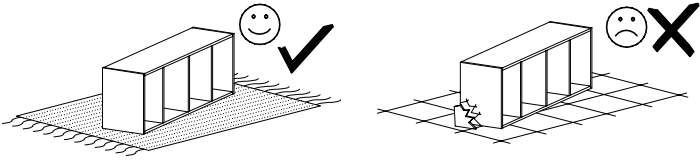
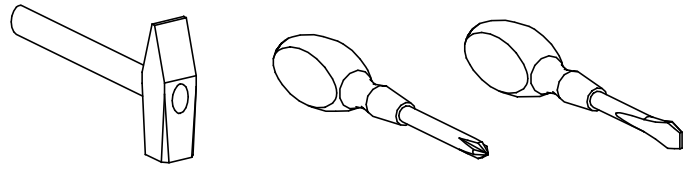

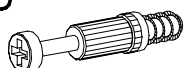



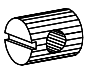
GRANT 09




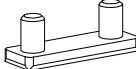
K1  $\varnothing 15 \times 12$ x20


K5  x20


G4  4x16 x4

N9  x4

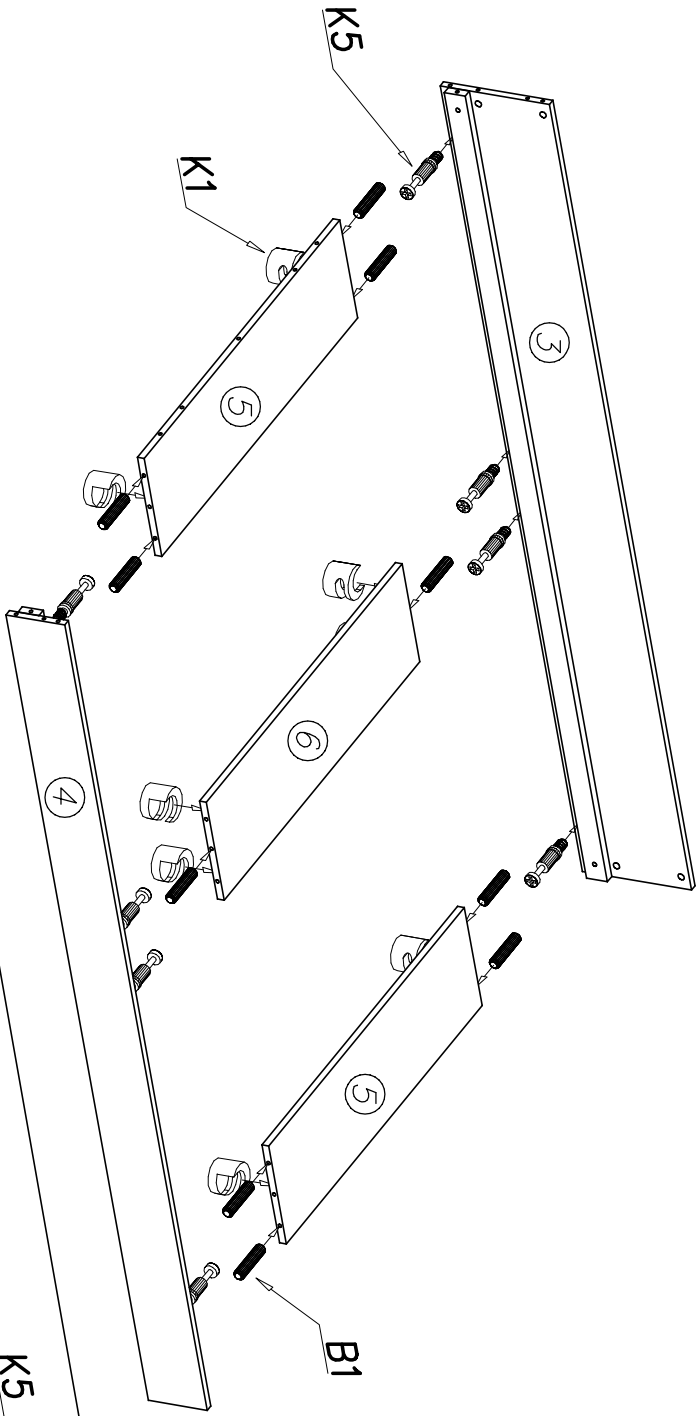
N18  x4

P3  x4

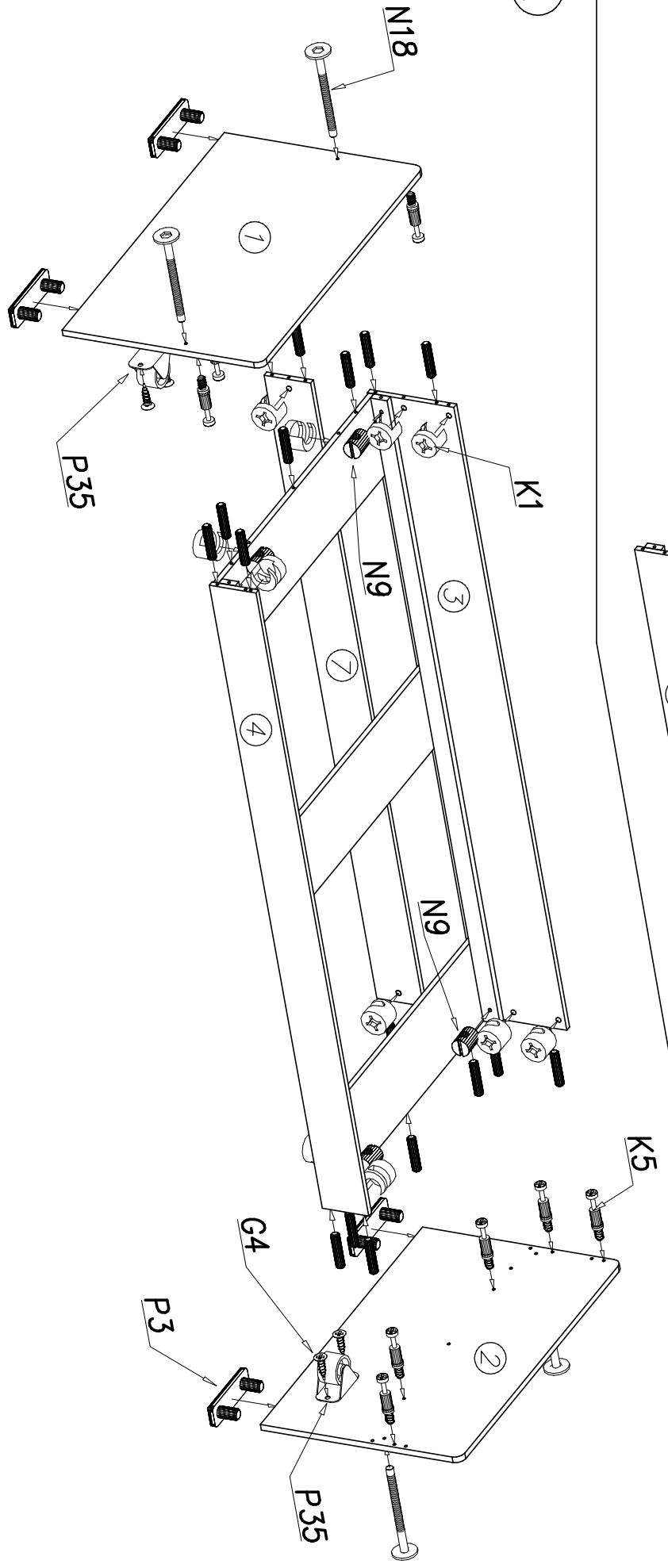
B1  $\varnothing 8 \times 35$ x28

P36  x2

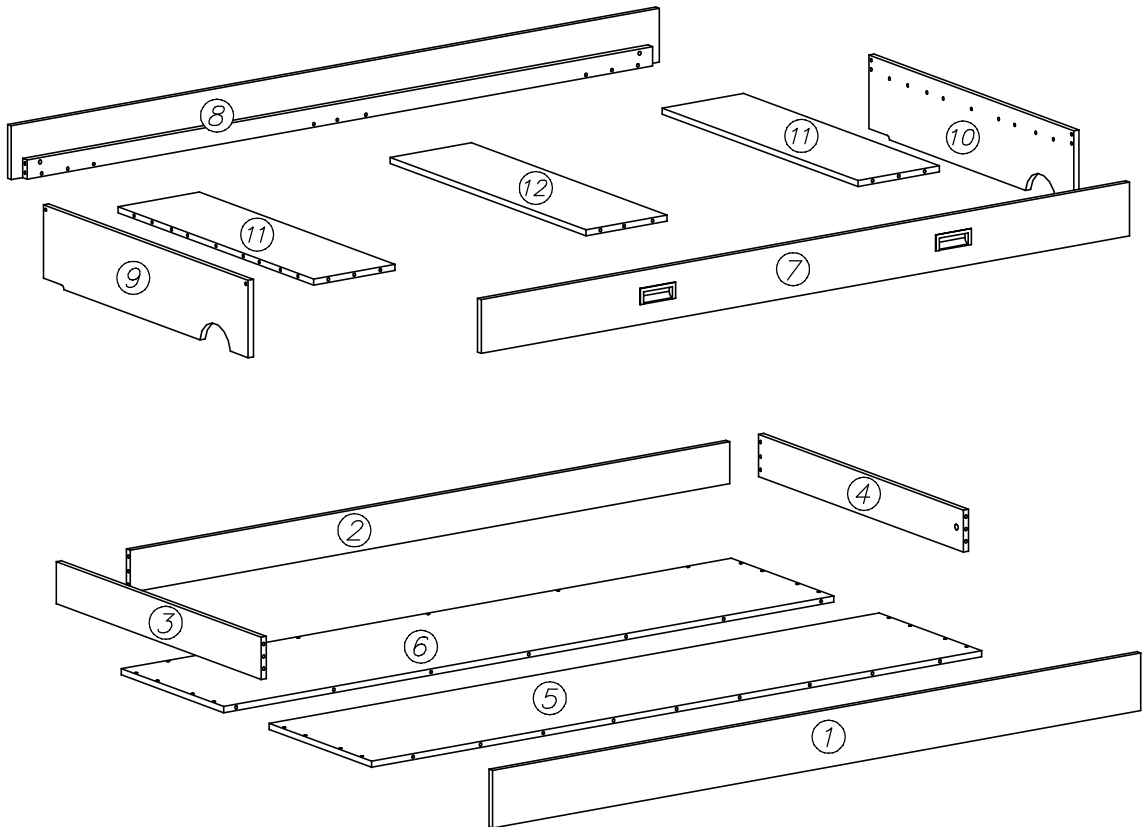
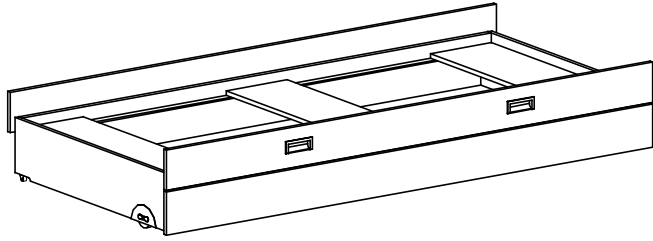
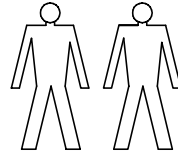
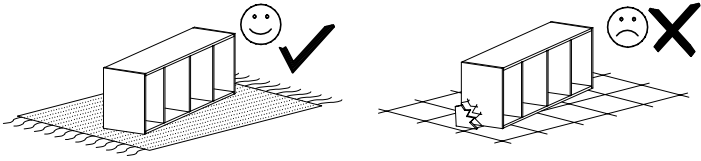
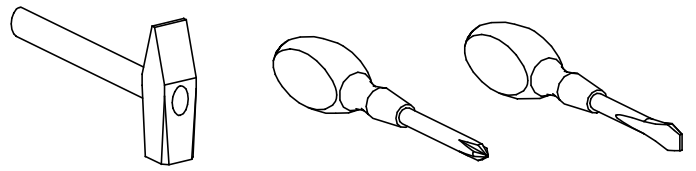
1



2

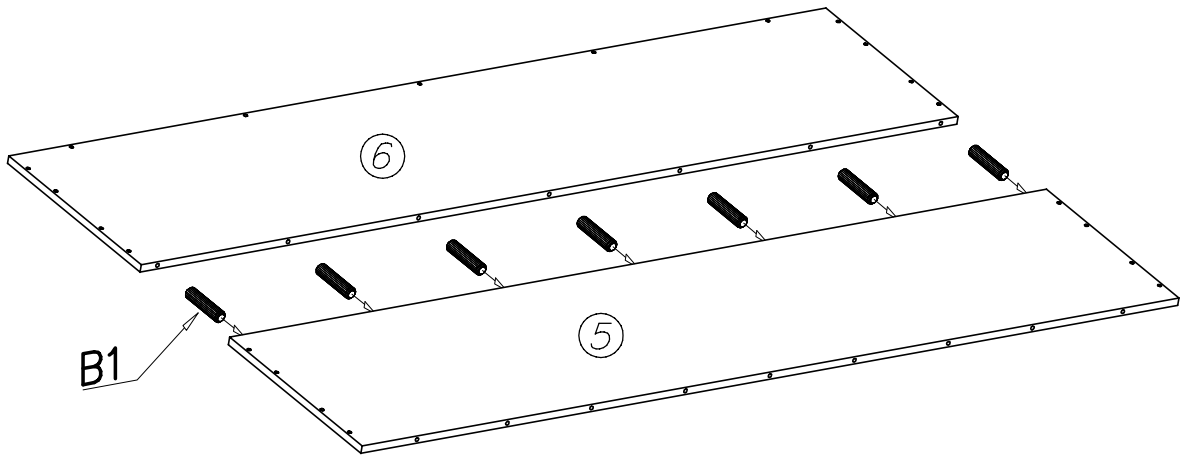


GRANT 10

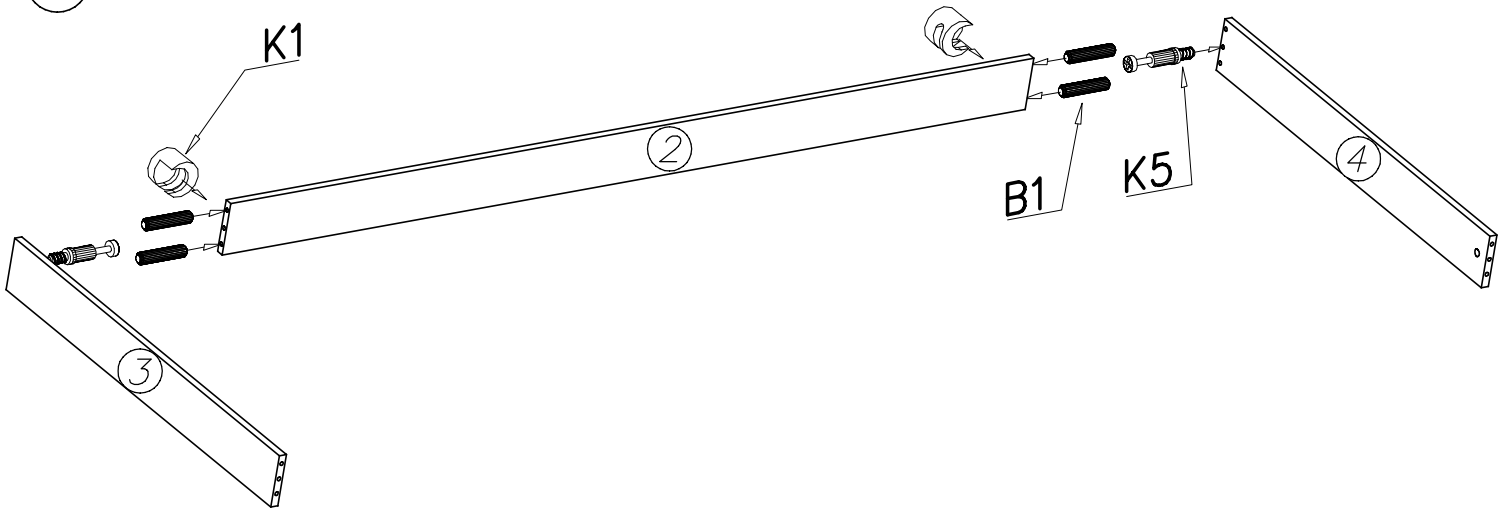


N9 x4	N18 x4	P44 x2	K5 x24	G4 4x16 x32
W2 4mm x1	A1 ø7x50 x13	K1 ø15x12 x24	B1 ø8x35 x52	P36 x14

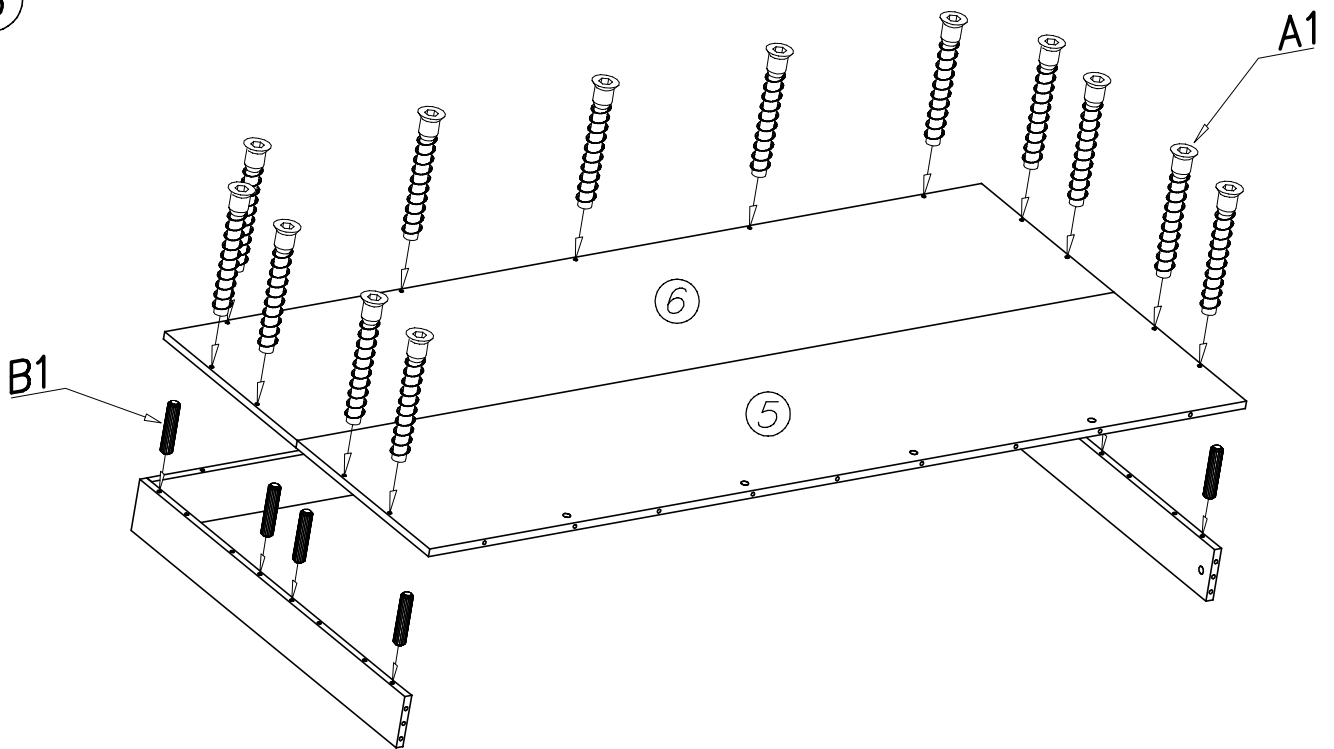
1



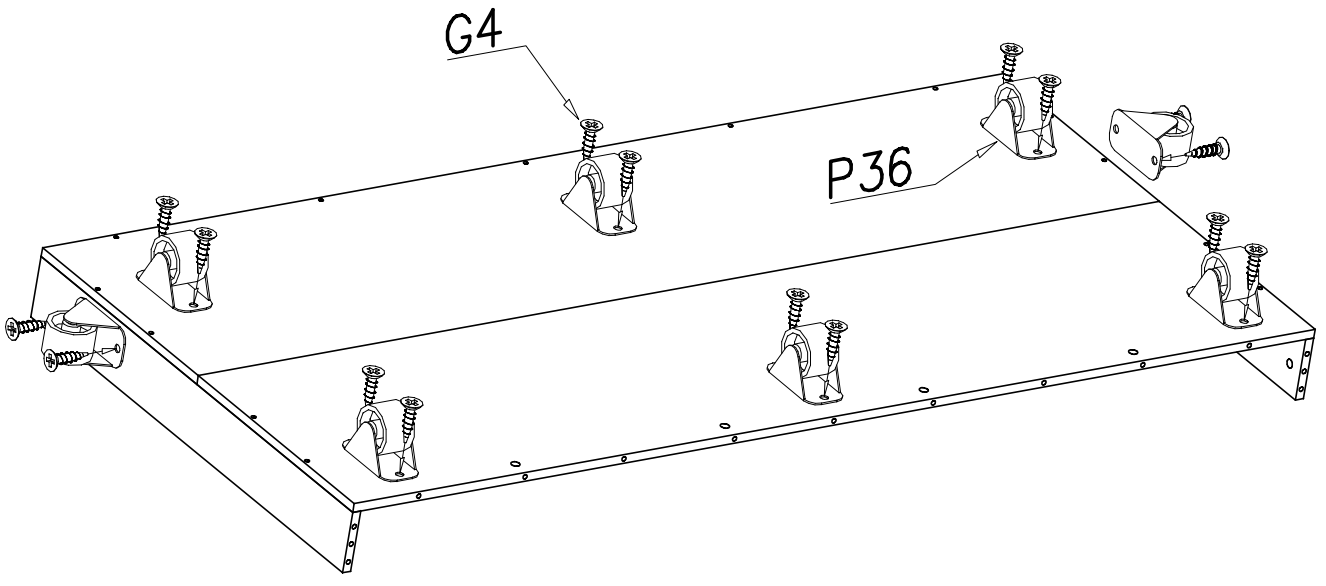
2



3



4



5

