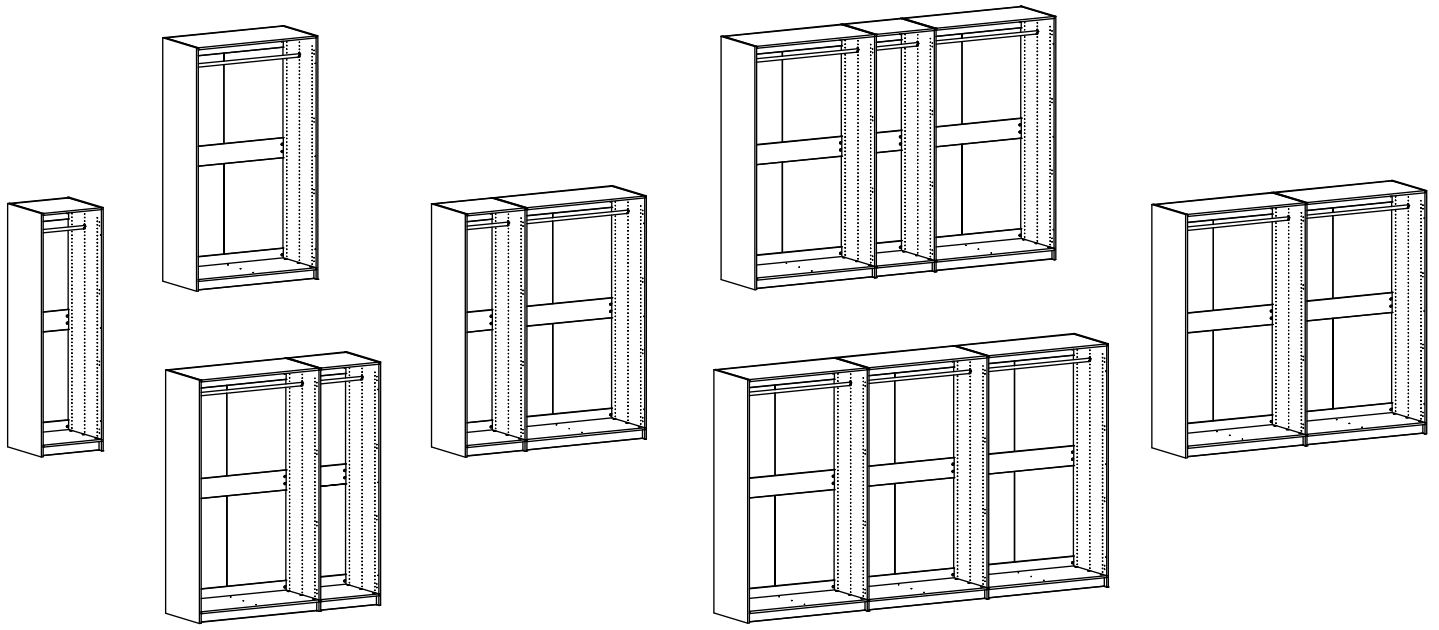
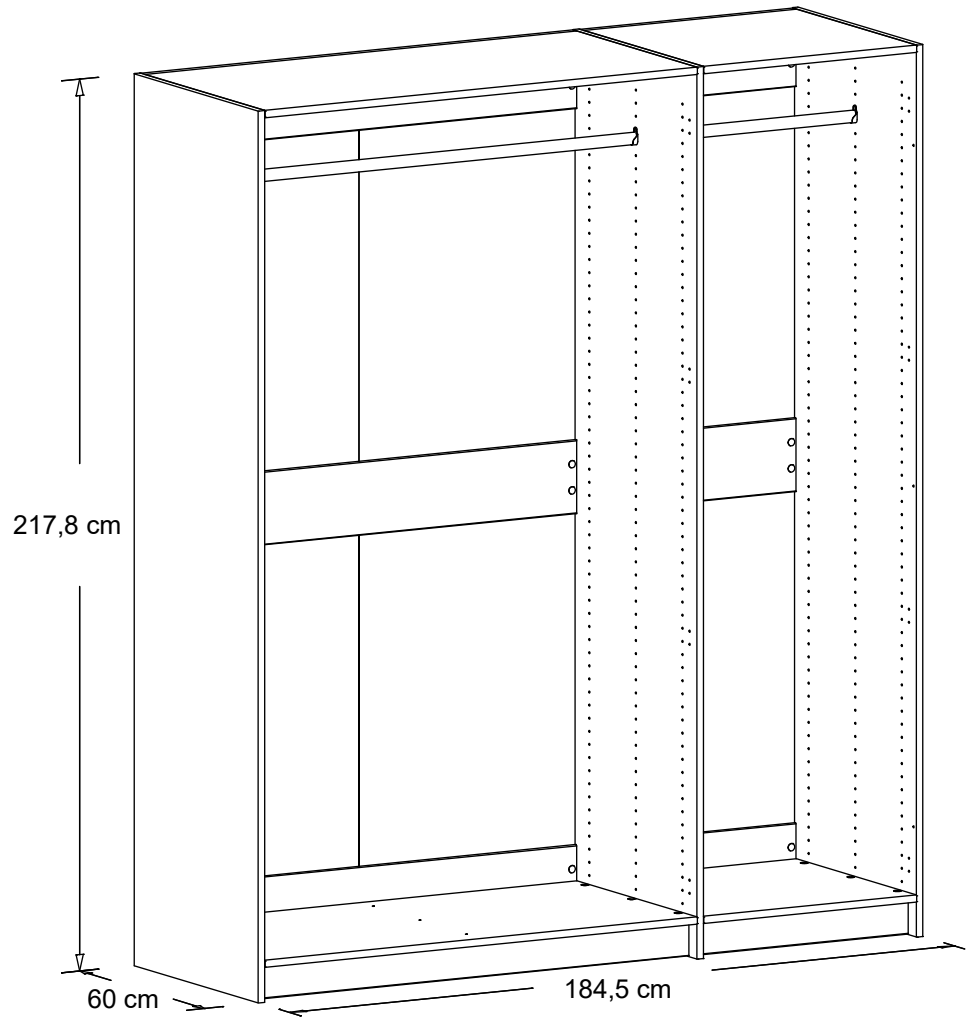
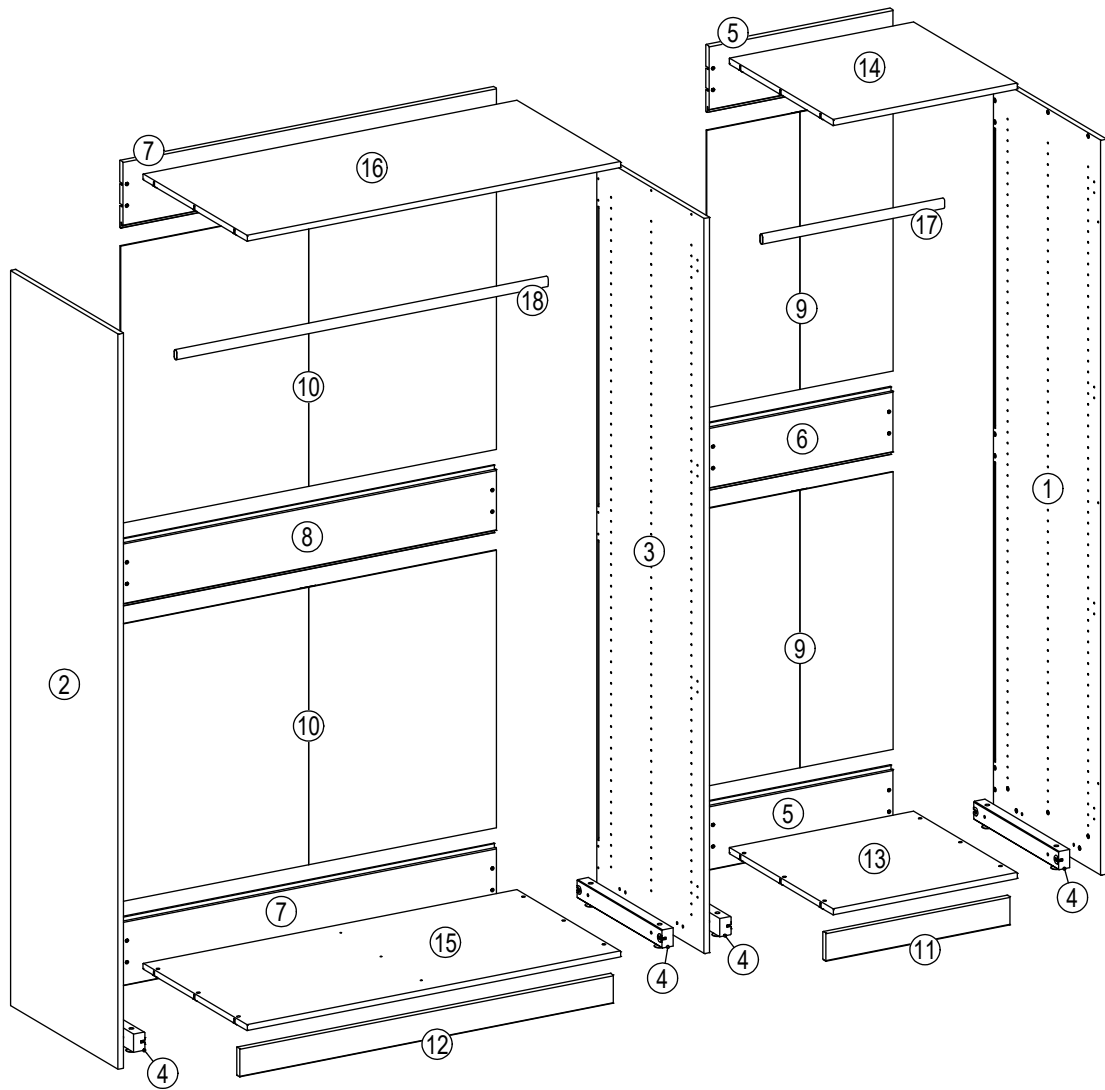

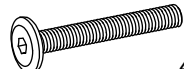



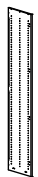
Rødvig Wardrobe






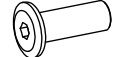


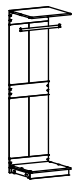
335 02 1:1

<p>B32</p>  <p>24 x M6 x 7,5mm</p>	<p>L07</p>  <p>4 x M6 x 45mm</p>	<p>Z04</p>  <p>1 x 4mm</p>
--	--	---







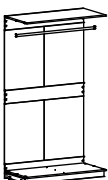
335 01 1:1

<p>B35</p>  <p>12 x M4 x 12mm</p>	<p>B36</p>  <p>12 x M4, ø5 x 14,5mm</p>	<p>L13</p>  <p>2 x M6 x 80mm</p>	<p>M01</p>  <p>2 x M6, ø8 x 22mm</p>
---	---	---	--







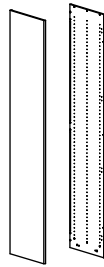
335 05 1:1

<p>A26</p>  <p>4 x ø8 x 40mm</p>	<p>B32</p>  <p>2 x M6 x 7,5mm</p>	<p>N13</p>  <p>2 x</p>	<p>U01</p>  <p>18 x ø18mm</p>
--	---	--	---



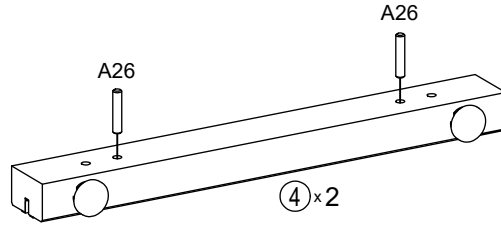
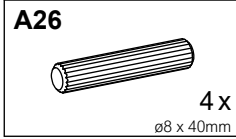
335 10 1:2 + 2:2

<p>A26</p>  <p>4 x ø8 x 40mm</p>	<p>B32</p>  <p>2 x M6 x 7,5mm</p>	<p>N13</p>  <p>2 x</p>	<p>U01</p>  <p>18 x ø18mm</p>
--	---	--	---

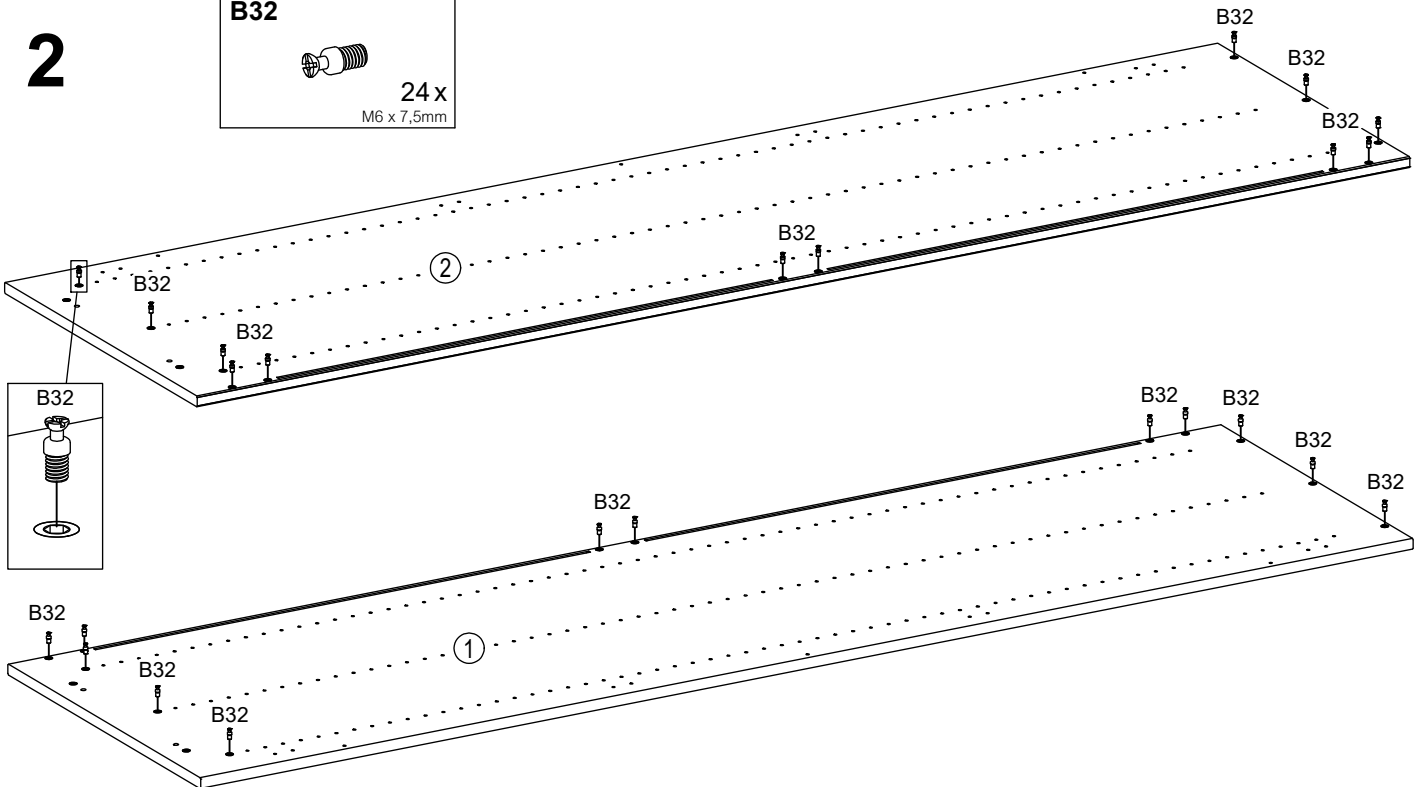
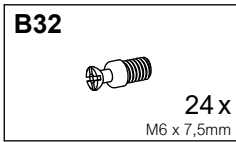


335 02 1:1

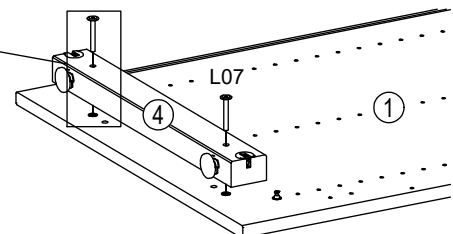
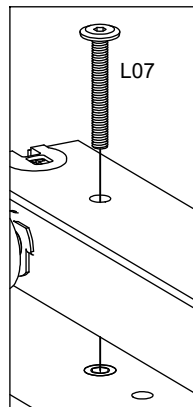
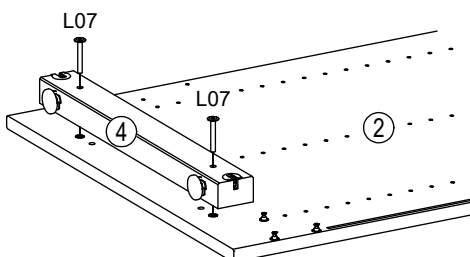
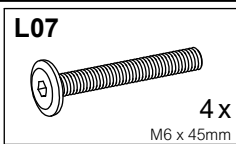
1

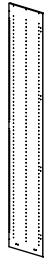


2



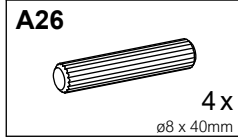
3





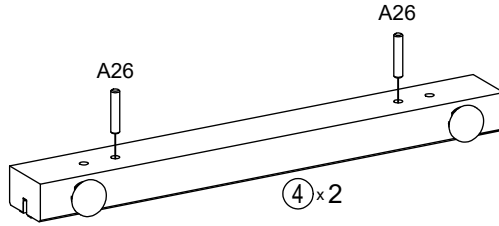
335 01 1:1

4

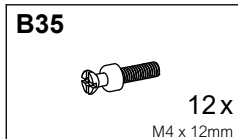


4 x

ø8 x 40mm

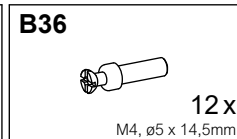


5



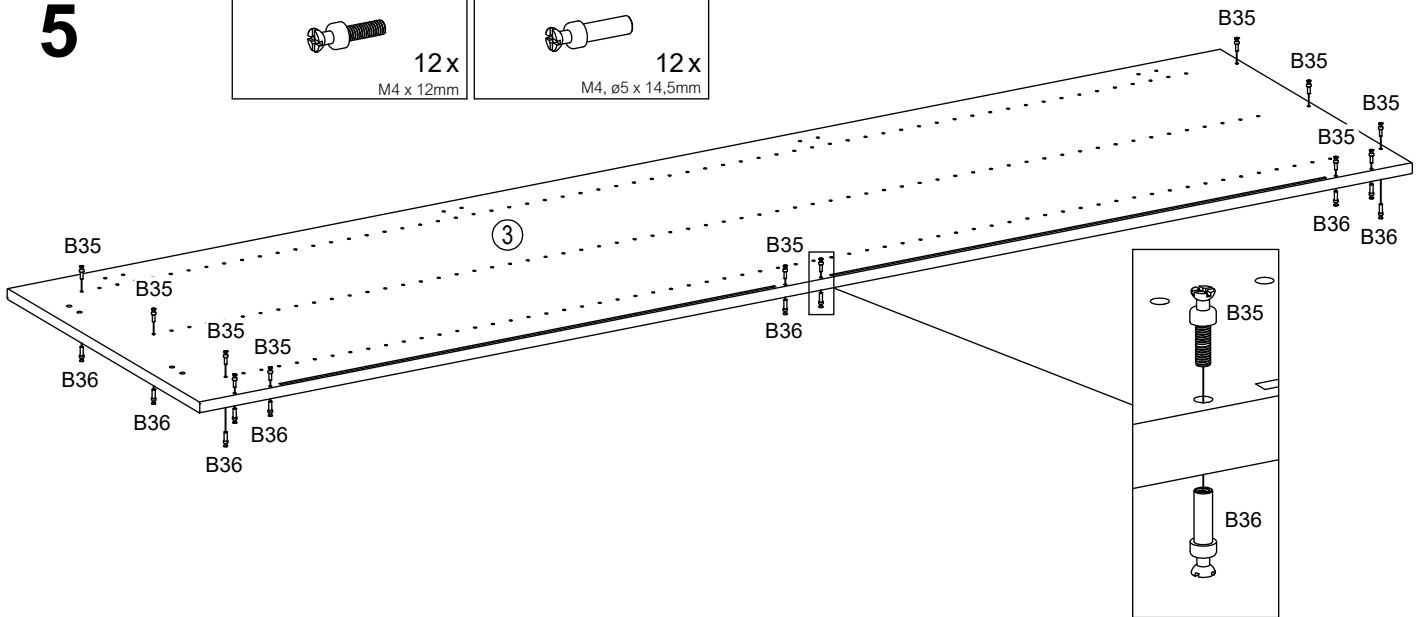
12 x

M4 x 12mm

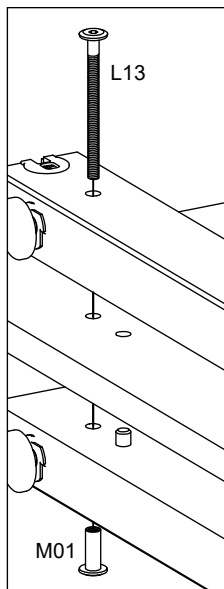


12 x

M4, ø5 x 14,5mm

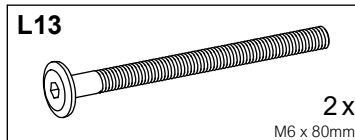


6



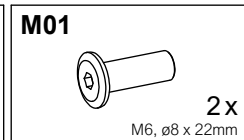
L13

M01



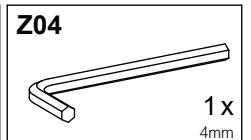
2 x

M6 x 80mm



2 x

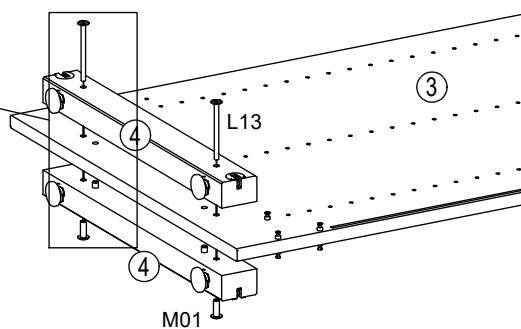
M6, ø8 x 22mm

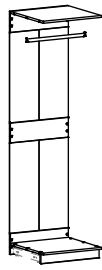


Z04

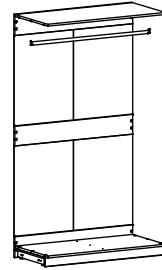
1 x

4mm



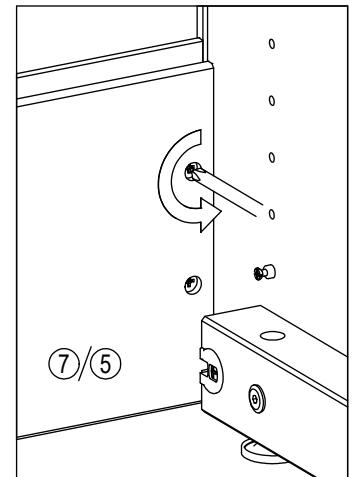
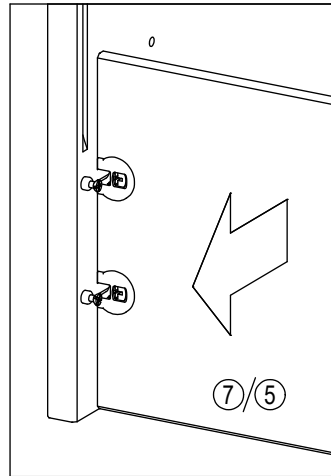
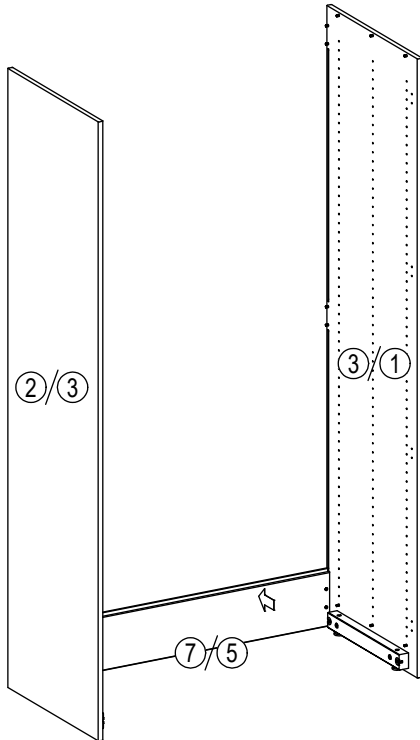


335 01 1:1

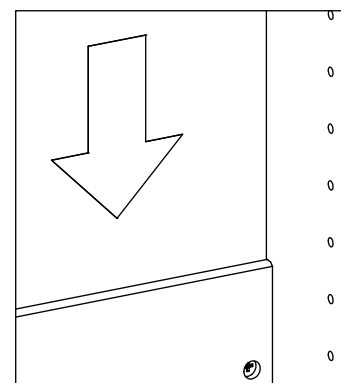
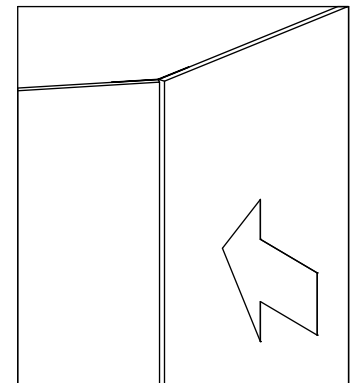
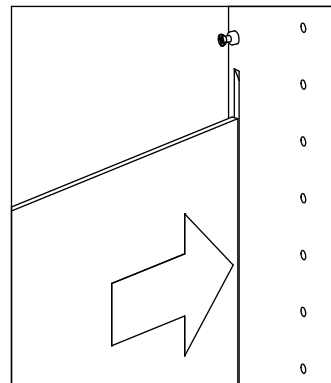
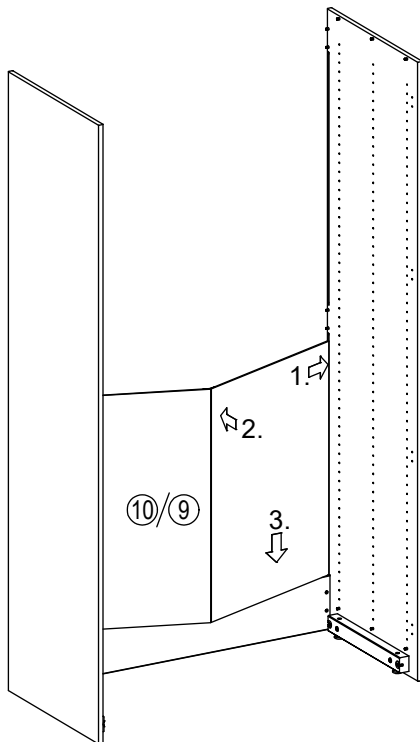


335 02 1:2 + 2:2

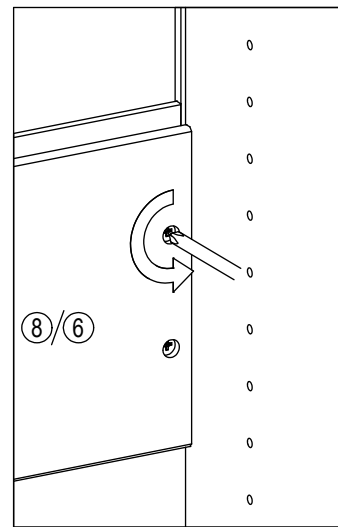
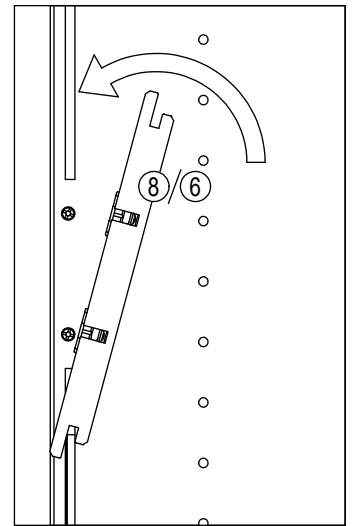
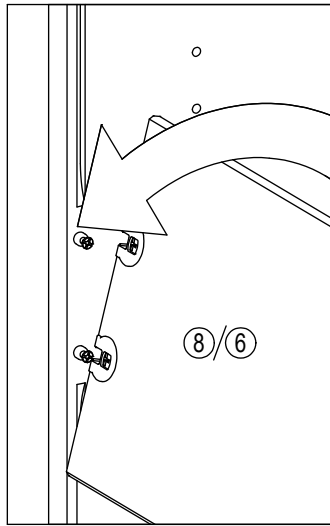
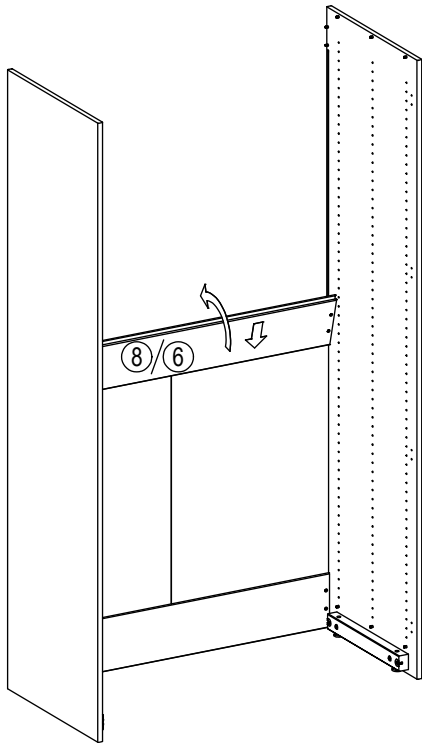
7



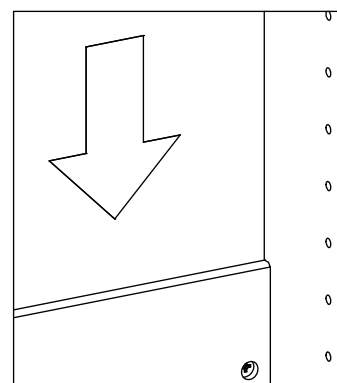
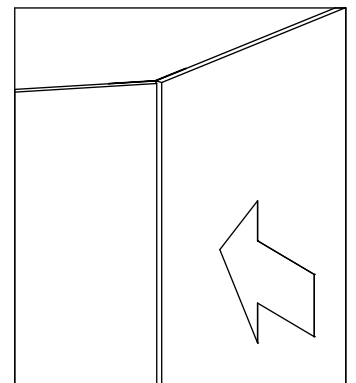
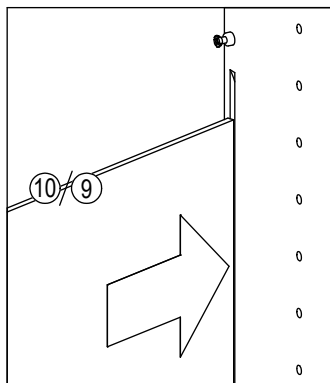
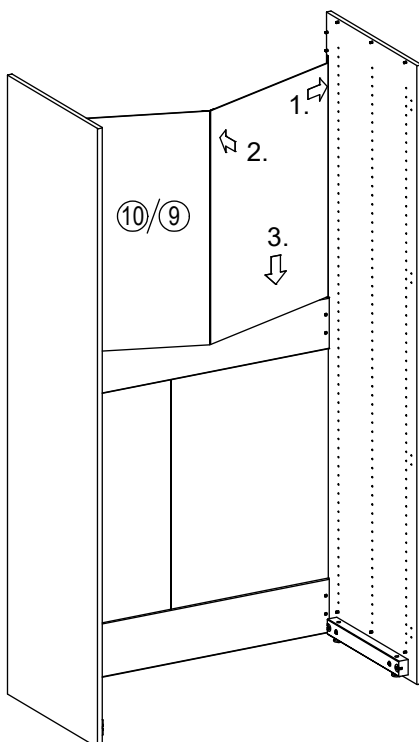
8



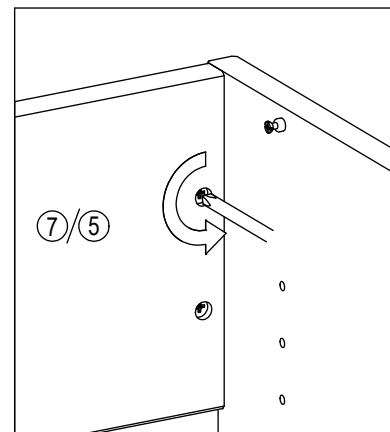
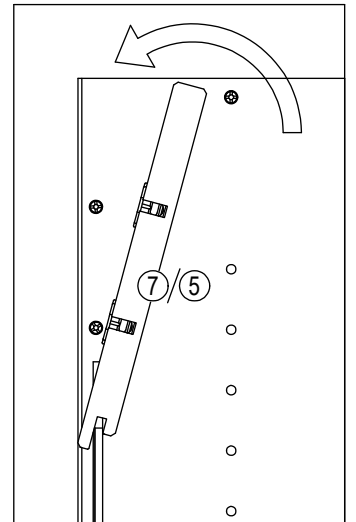
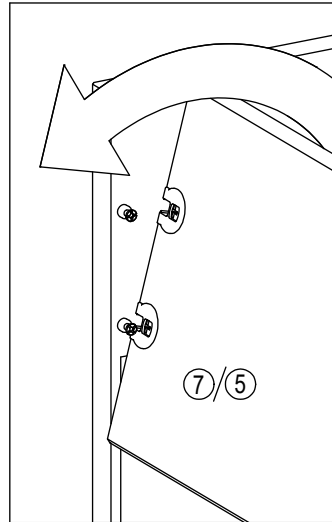
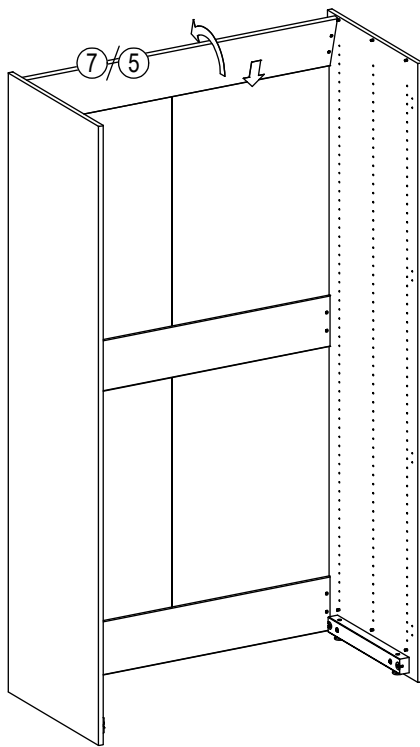
9



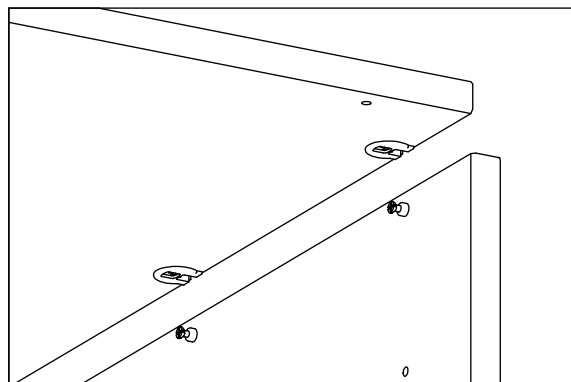
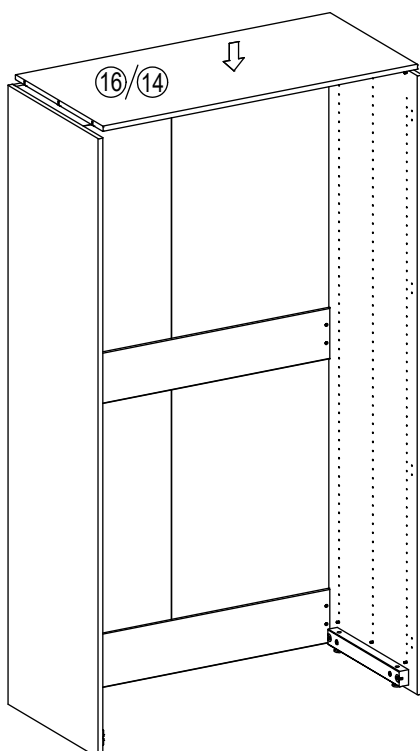
10



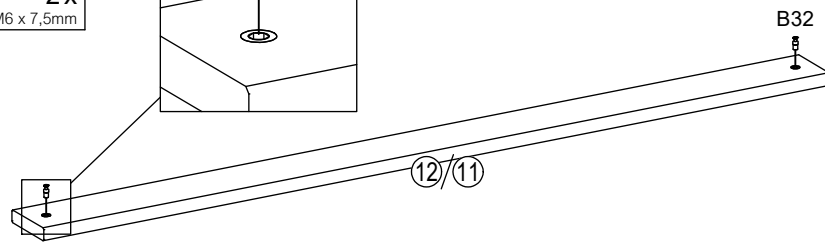
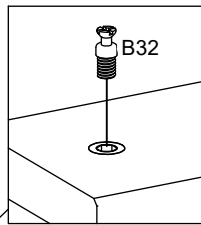
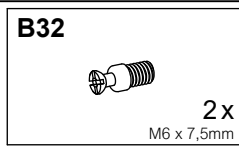
11



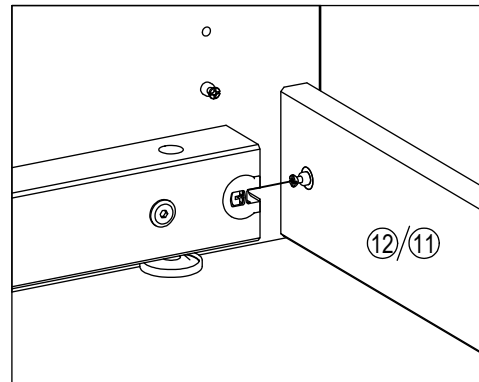
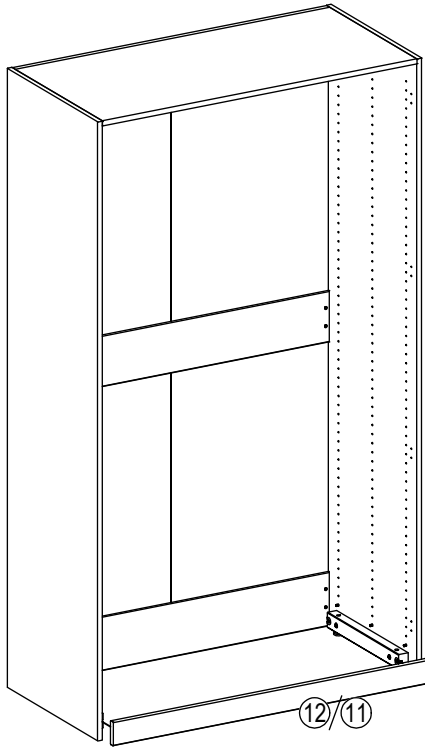
12



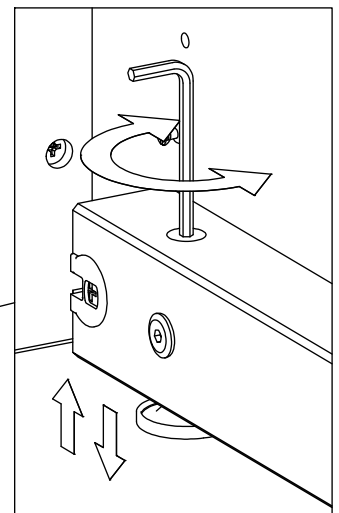
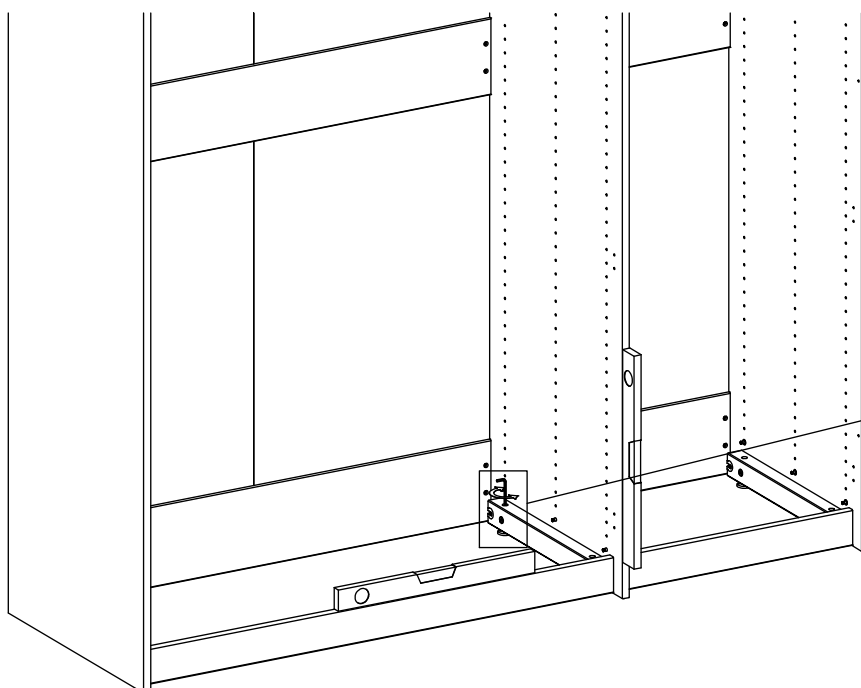
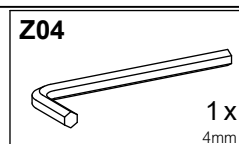
13





14




15

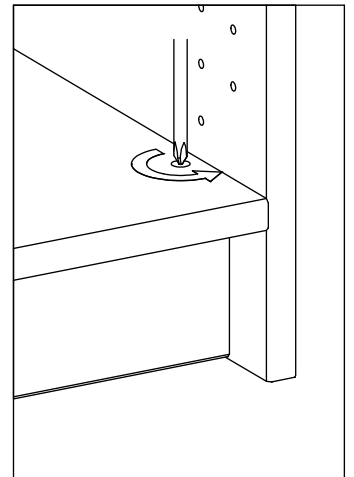
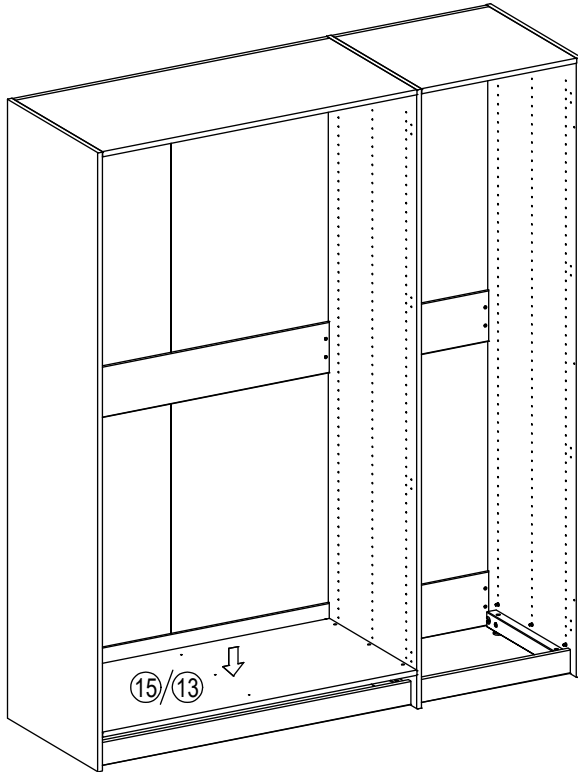


16

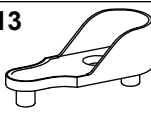
335 30
335 31
335 32
335 33






17

N13

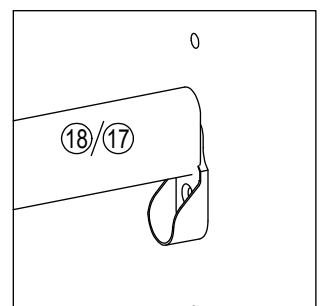
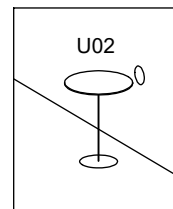
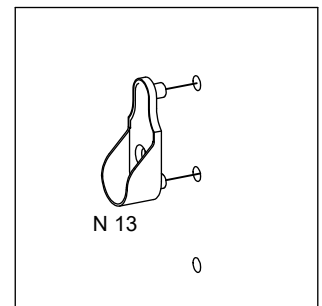
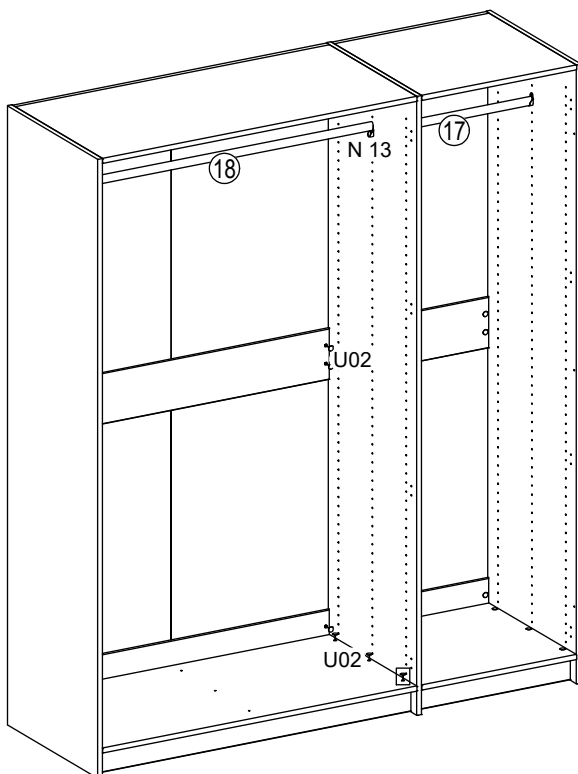


2x

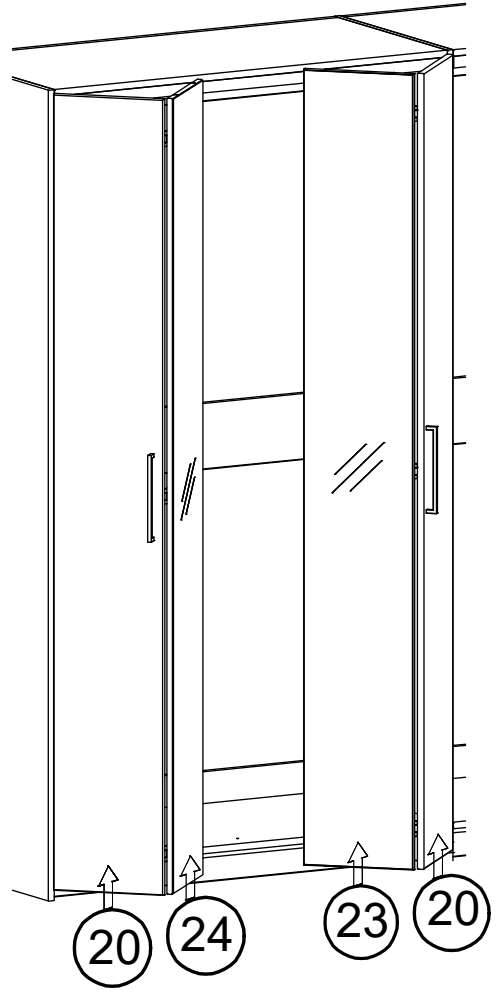
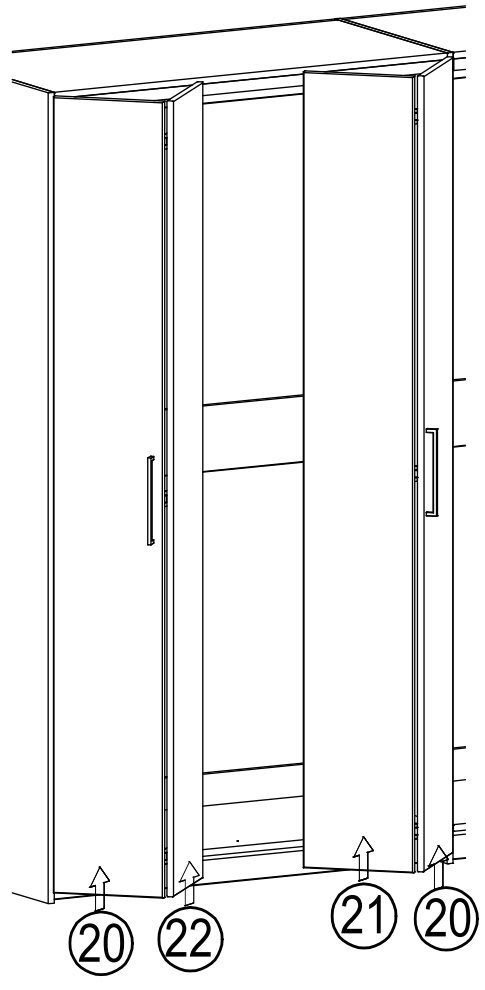
U01

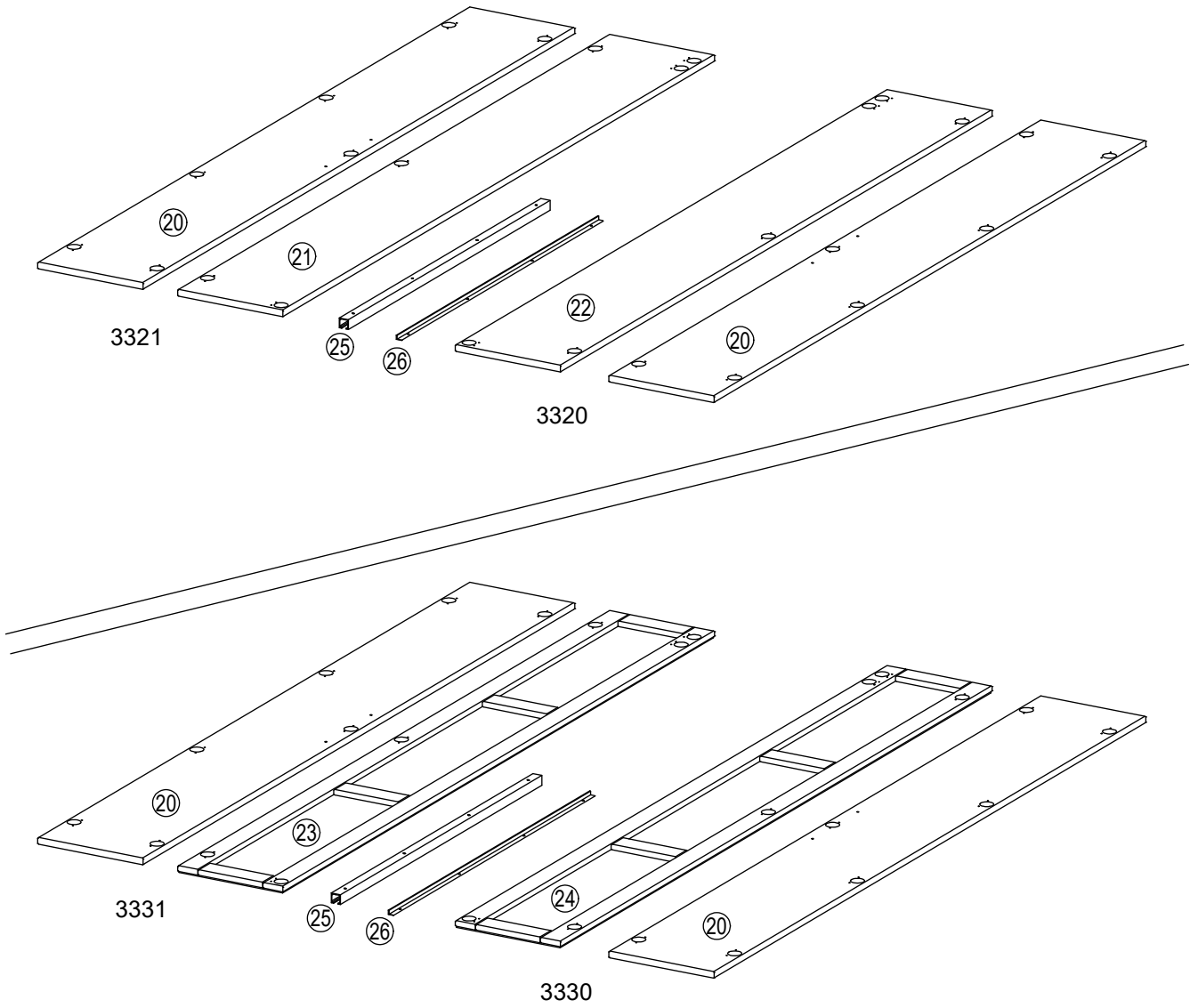


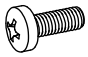




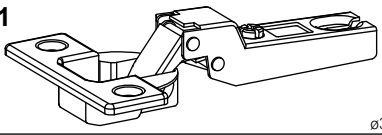
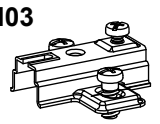
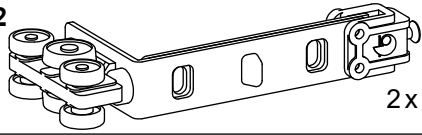
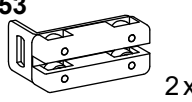

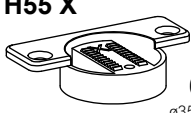
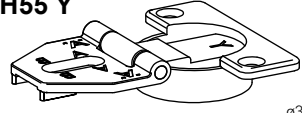
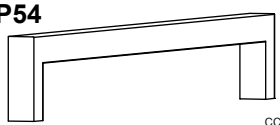


18x
ø18mm



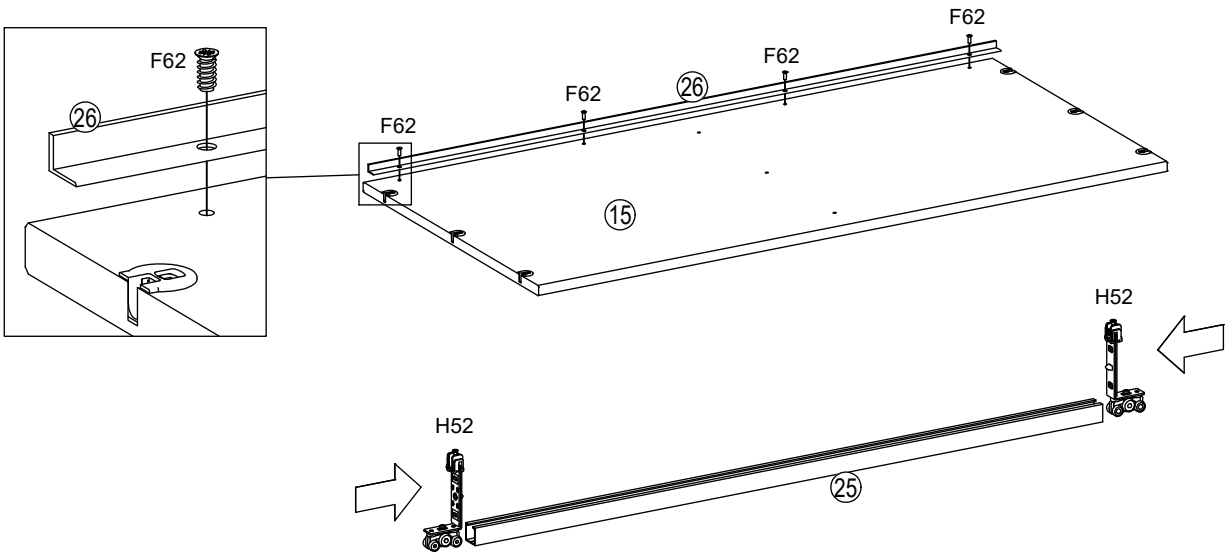
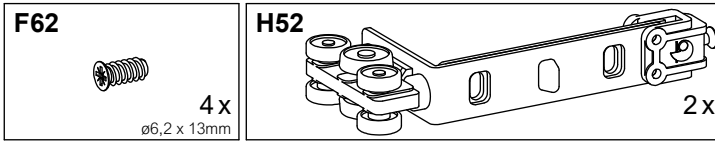
Rødvig Folding Doors



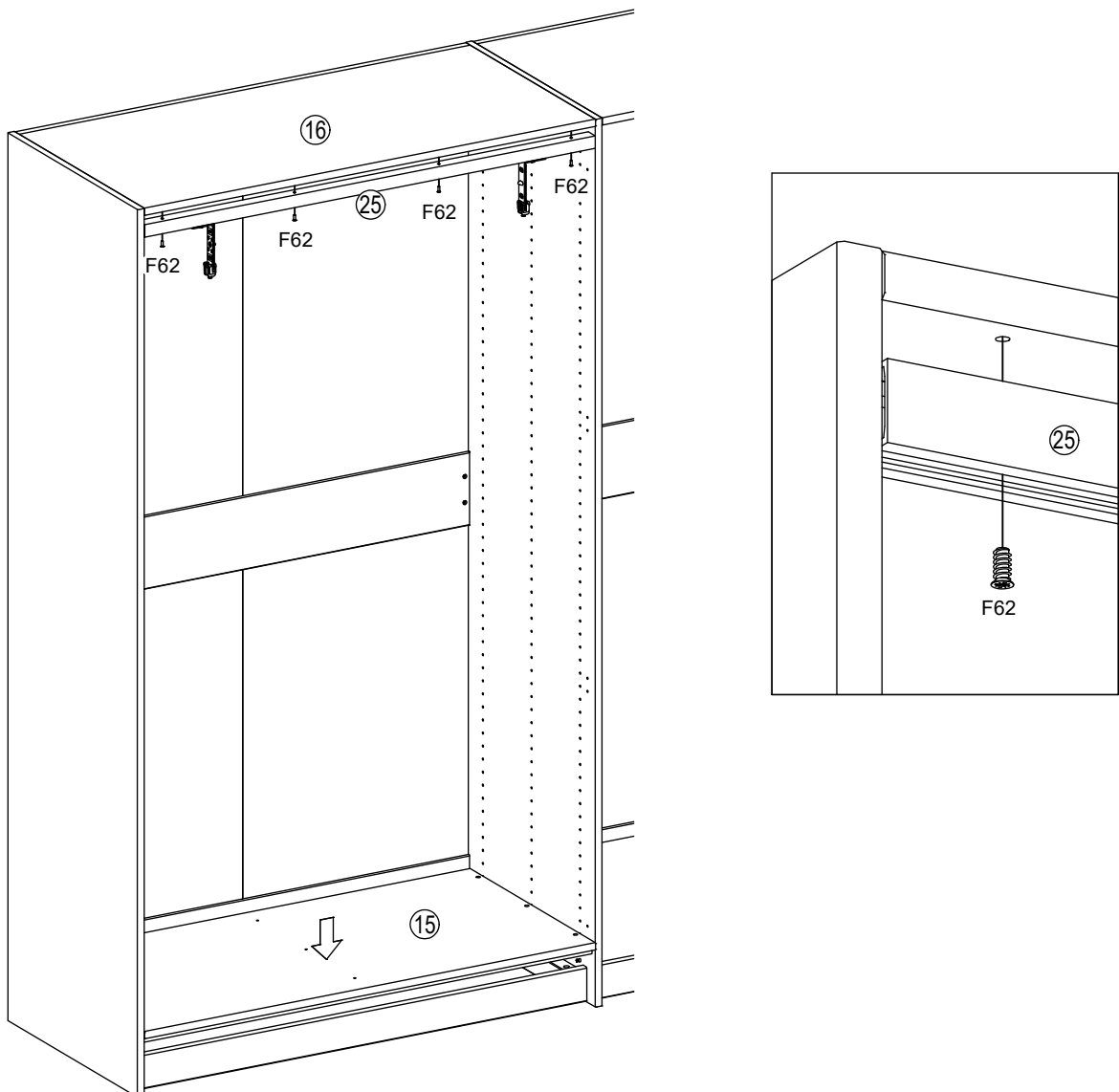
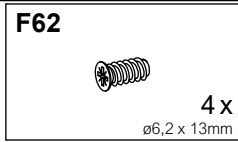


C01  6 x M6 x 15mm	C21  6 x M4 x 12mm	D11  52 x ø3,5 x 15mm	F35  4 x M4 x 25mm	F62  8 x ø6,2 x 13mm	
H01  8 x ø35mm	H03  8 x	H52  2 x			
H53  2 x	H54  6 x ø35mm	H55 X  6 x ø35mm	H55 Y  6 x ø35mm		
P54  2 x cc224mm	U60  4 x ø10 x 3mm	W51  4 x ø17,5/ø6,8 x 1,5mm			

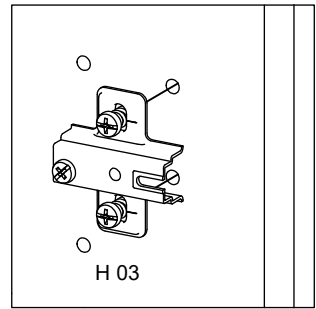
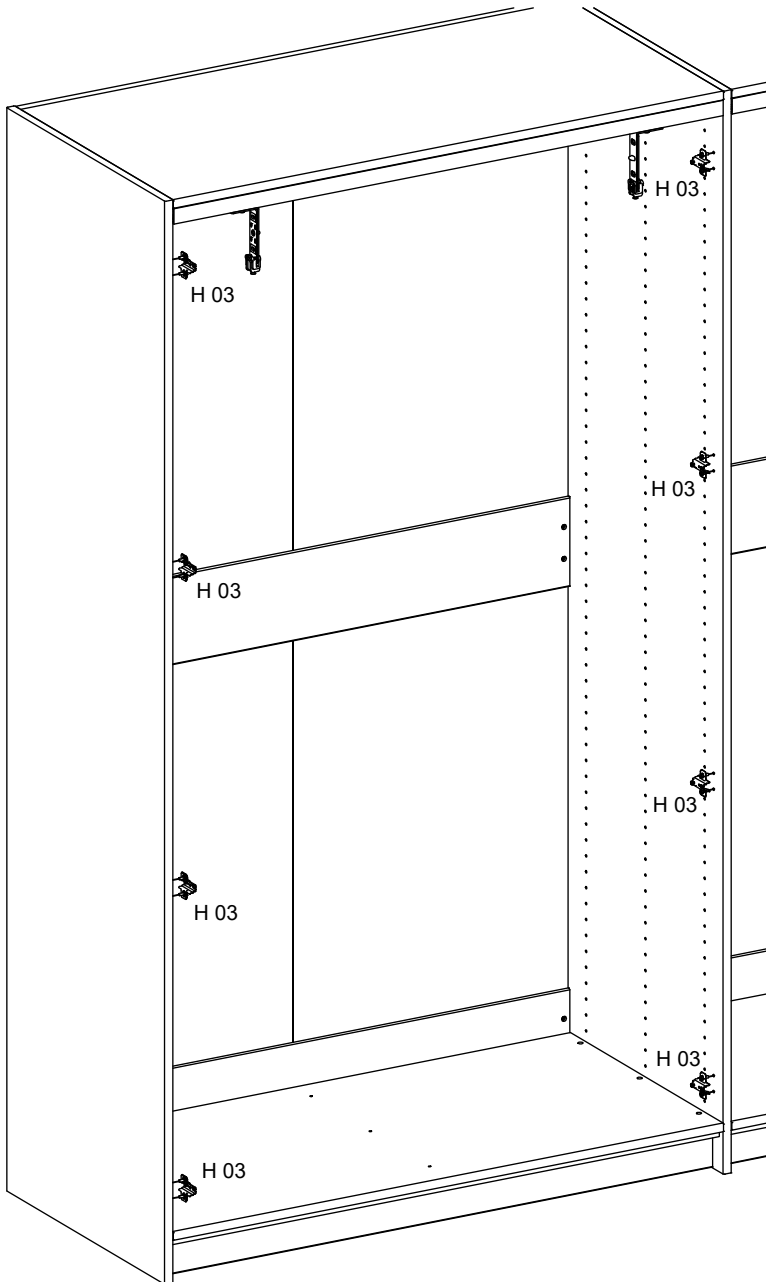
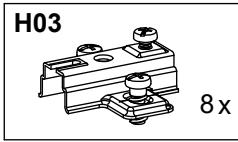
1



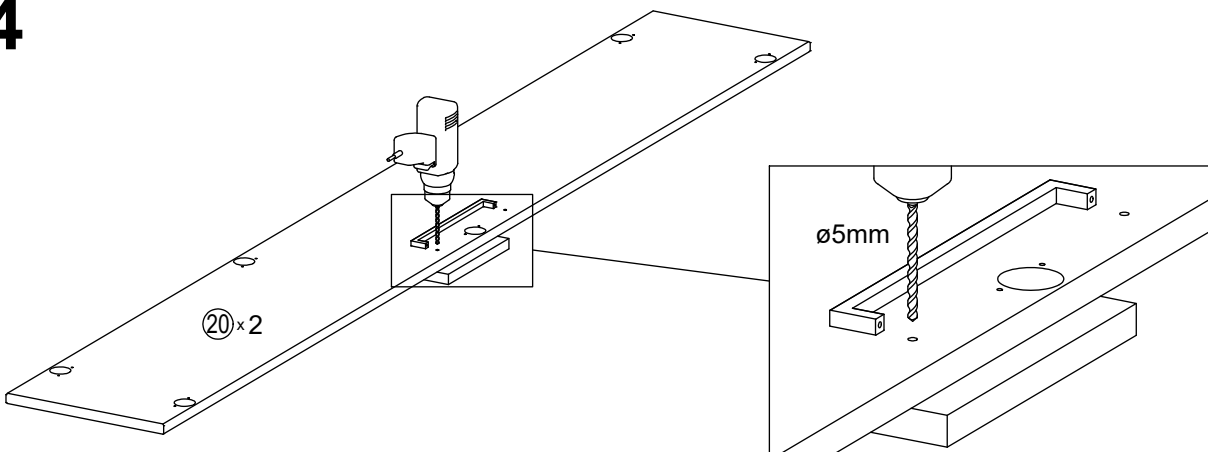
2




3

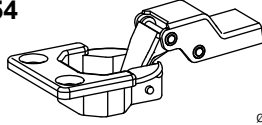


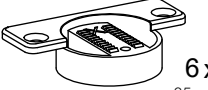
4

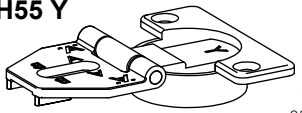


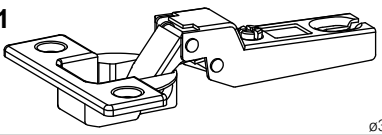
5

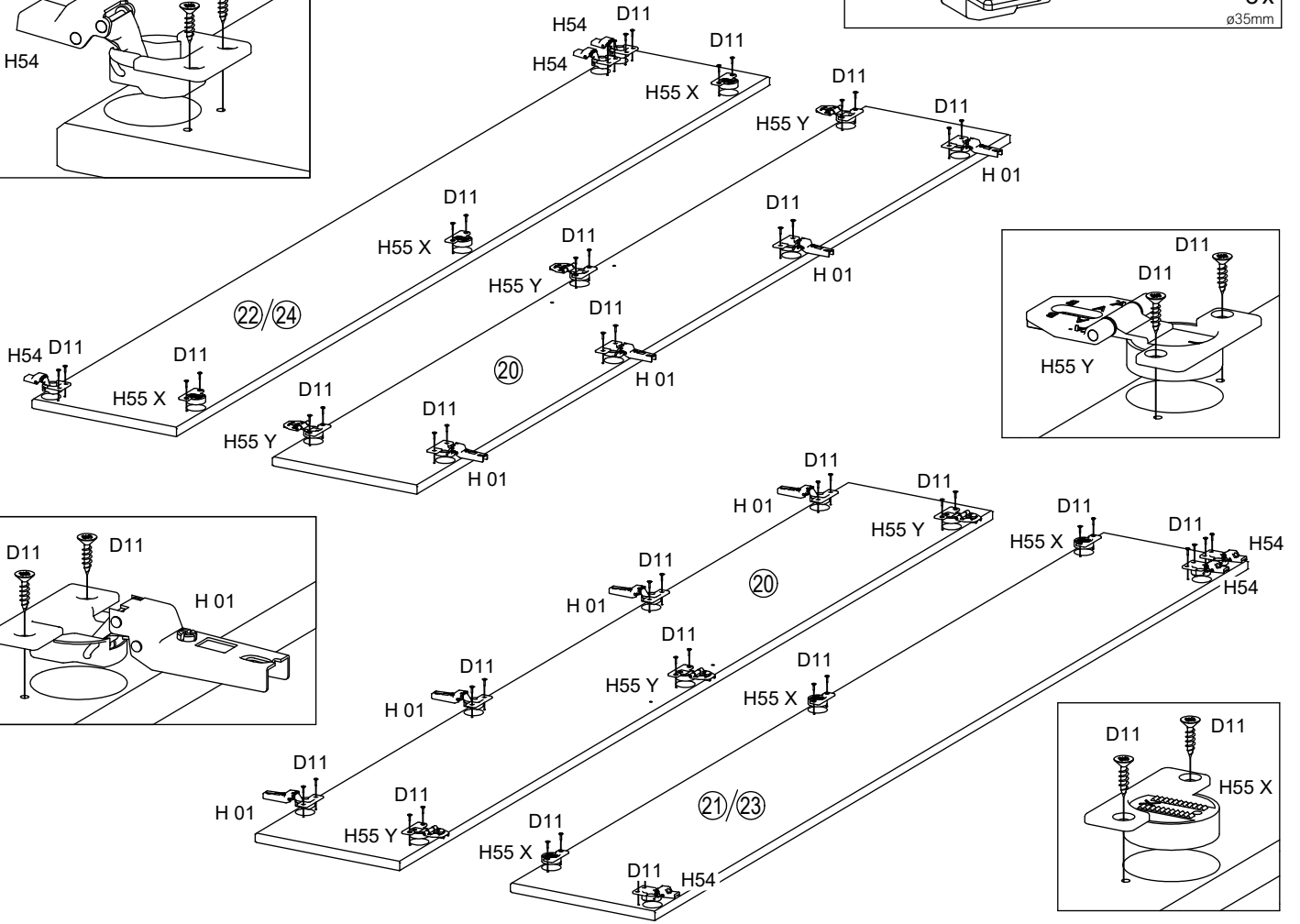
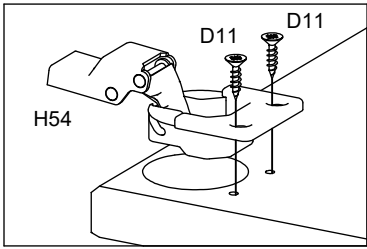
D11

 52 x
 ø3,5 x 15mm

H54

 6 x
 ø35mm


H55 X

 6 x
 ø35mm


H55 Y

 6 x
 ø35mm

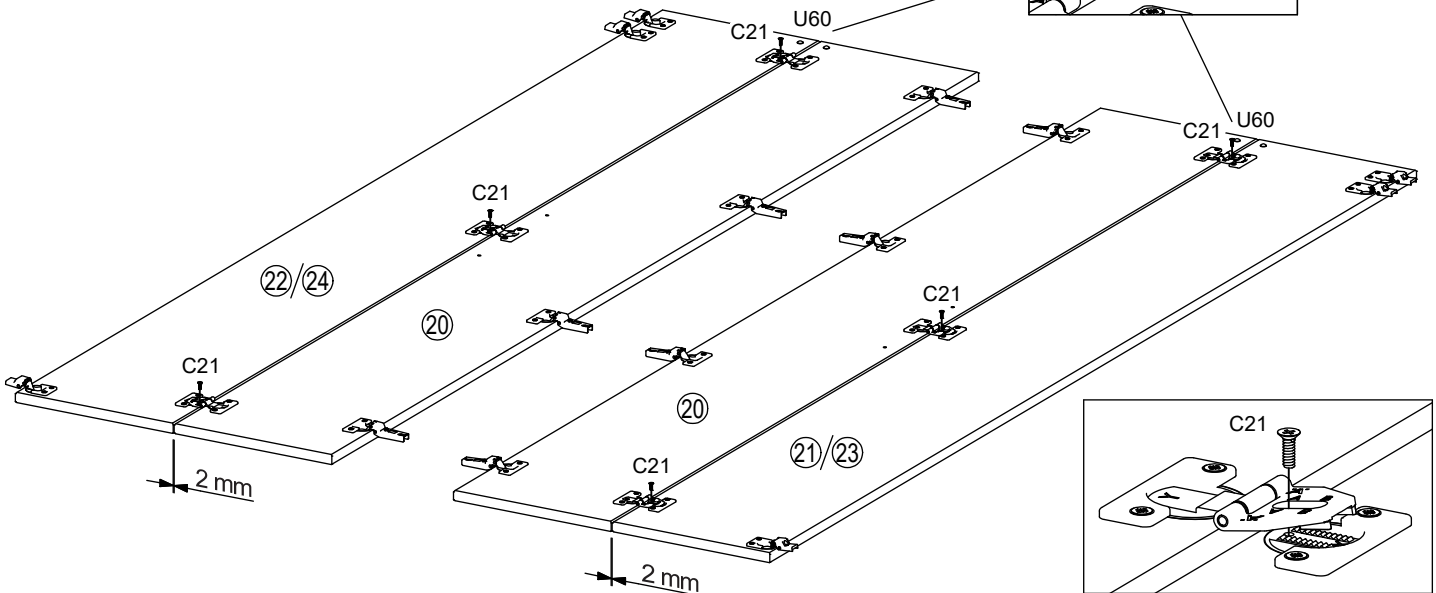
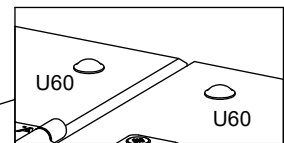
H01

 8 x
 ø35mm



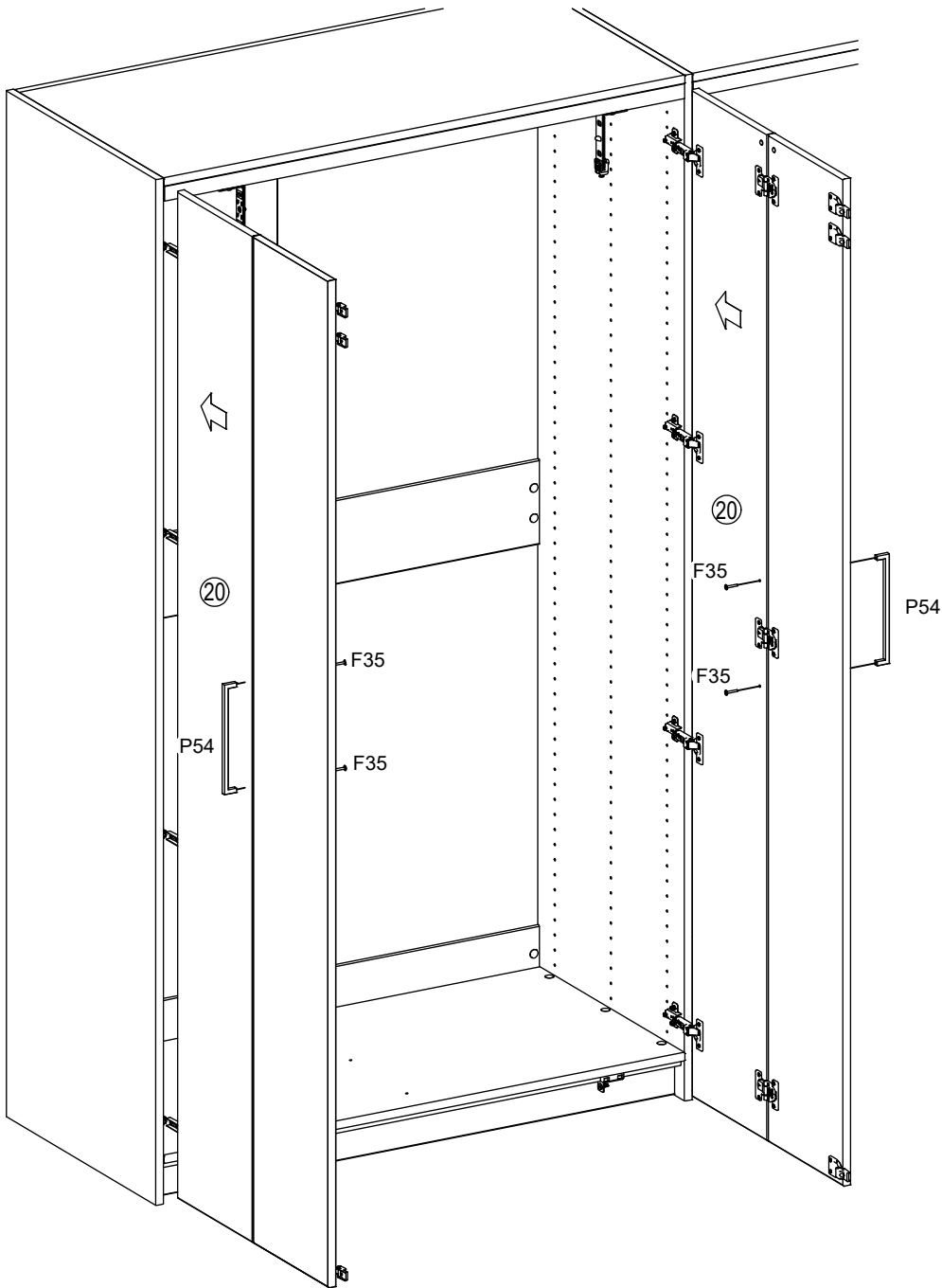
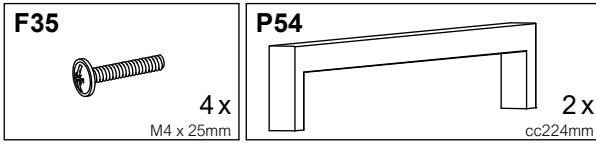
6

C21

 6 x
 M4 x 12mm

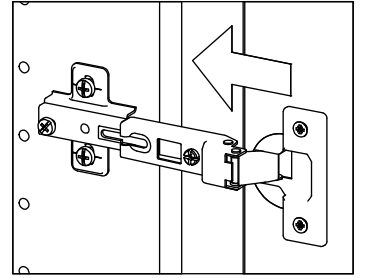
U60

 4 x
 ø10 x 3mm



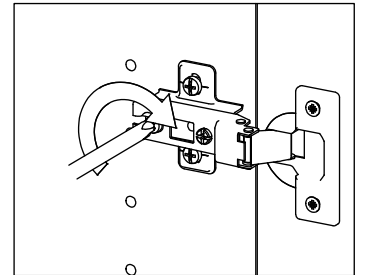
7



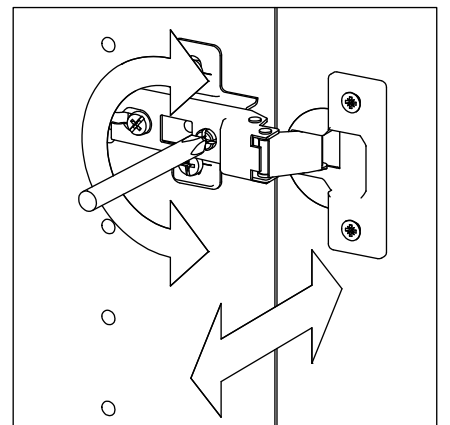
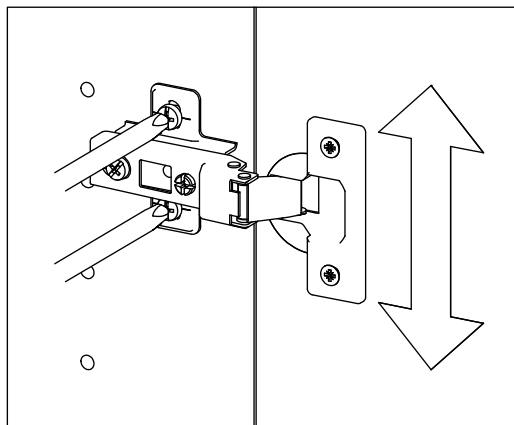
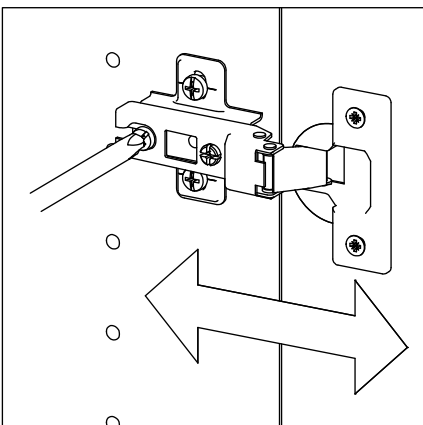
7.1



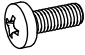
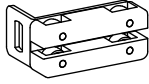

7.2

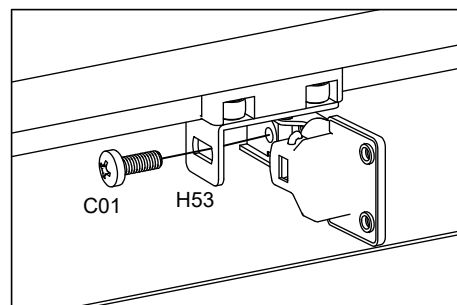
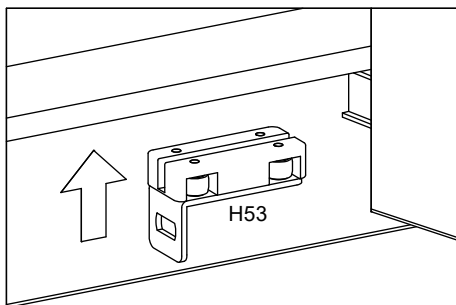
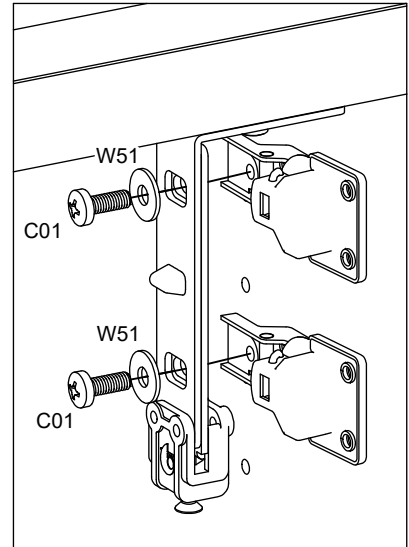
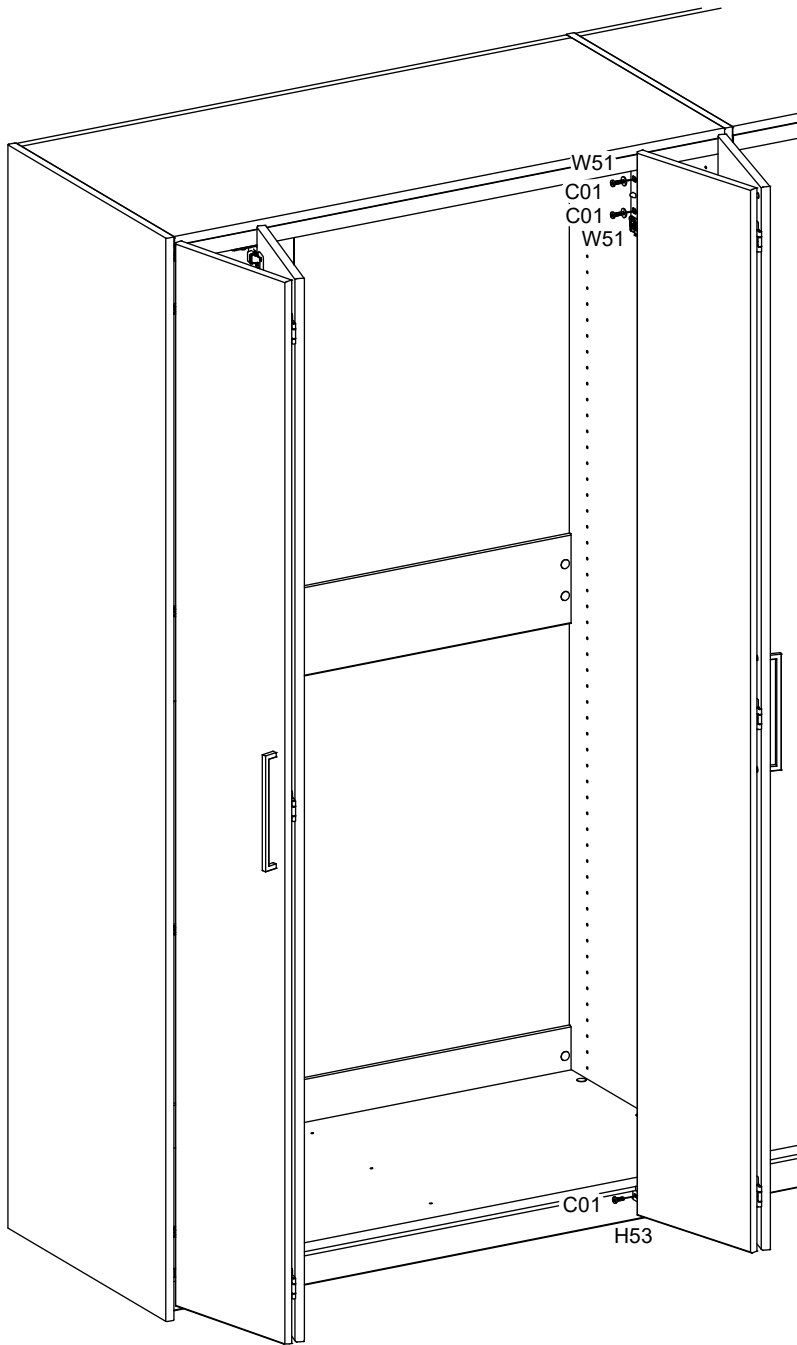


P54

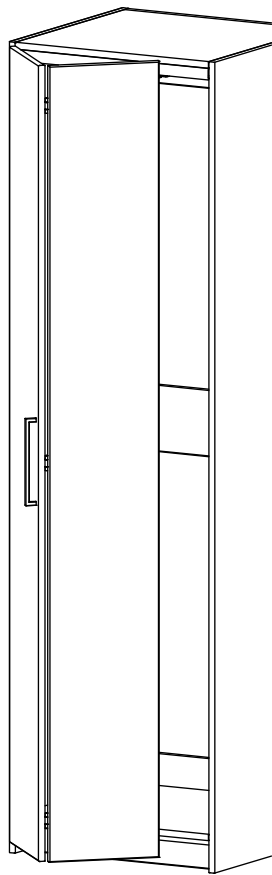


8

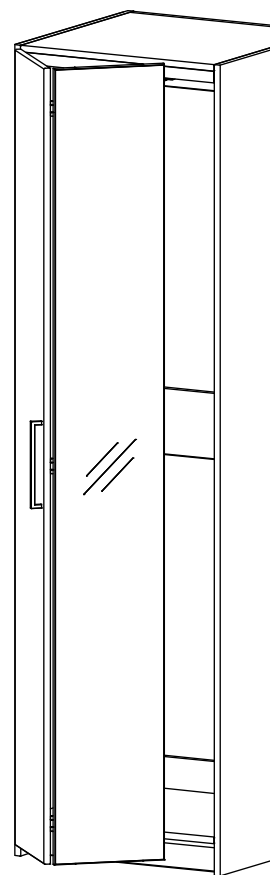
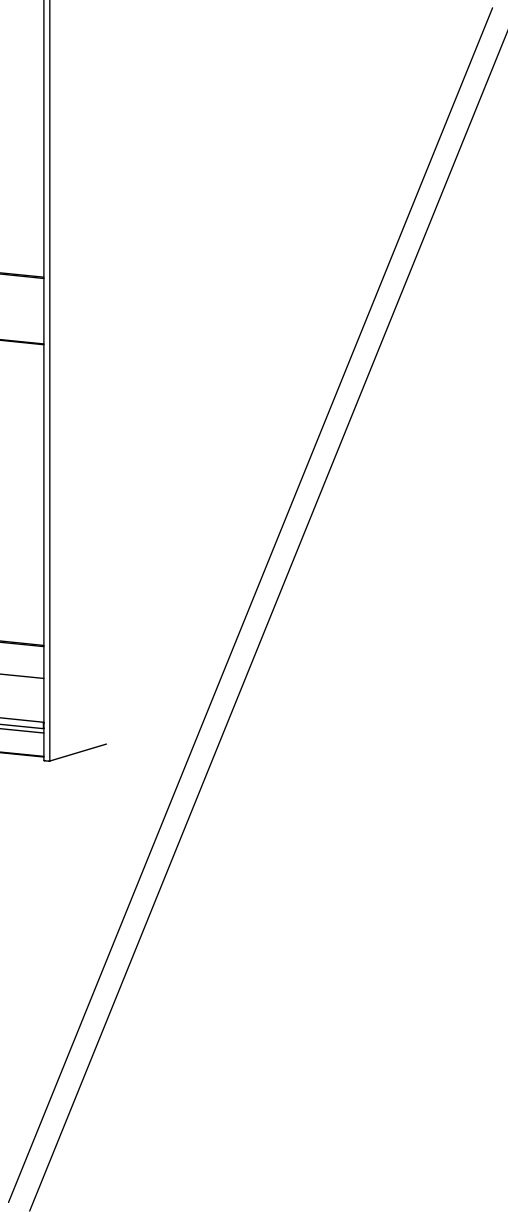
C01  6 x M6 x 15mm	H53  2 x	W51  4 x ø17,5/ø6,8 x 1,5mm
---	--	--



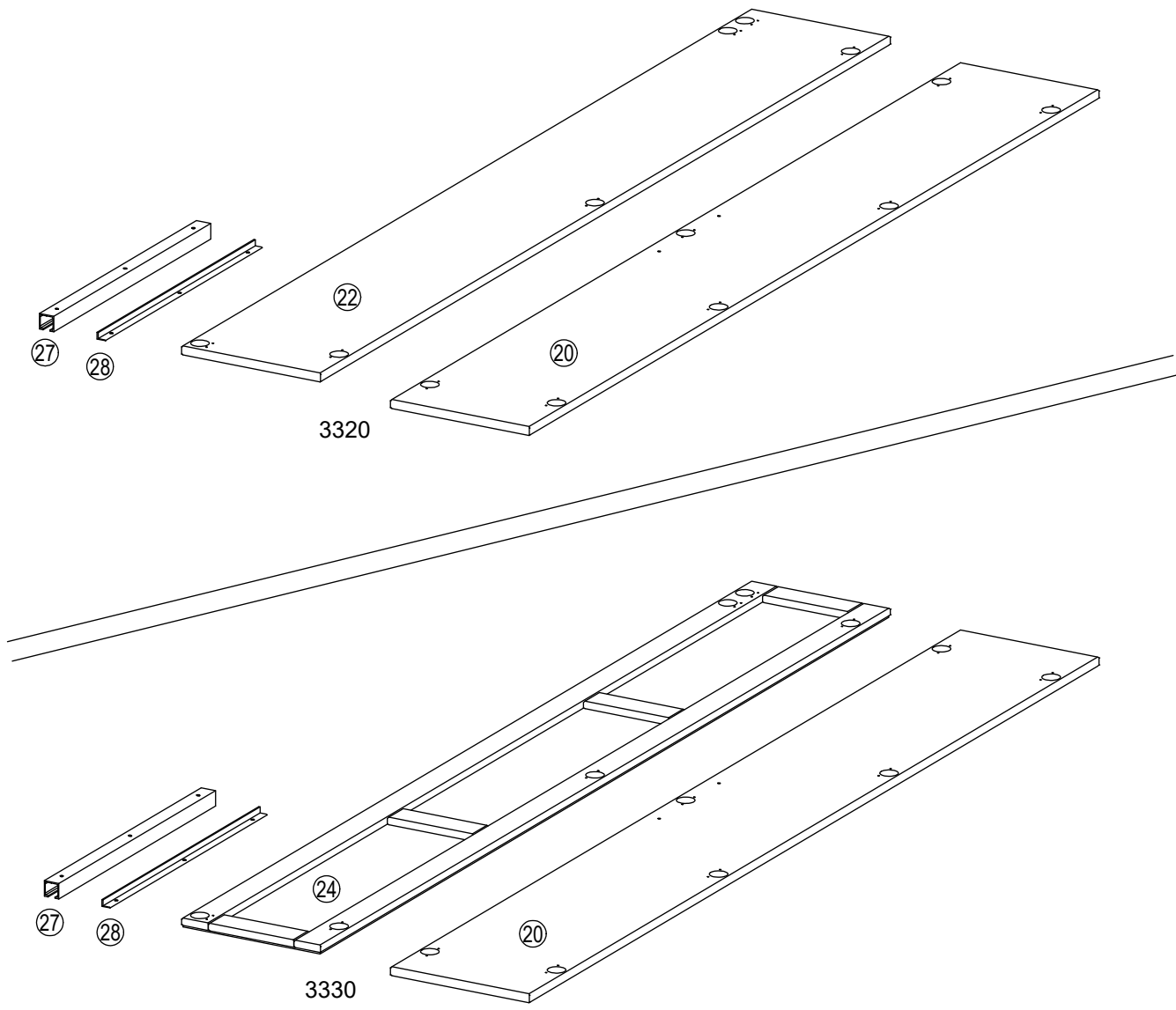
Rødvig Folding Door

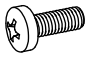




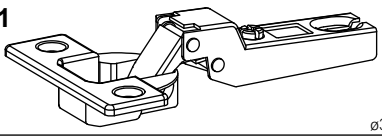
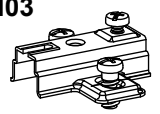
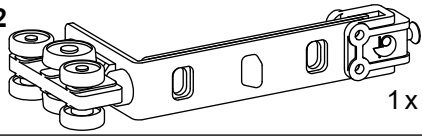
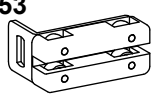

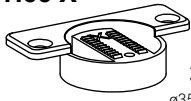
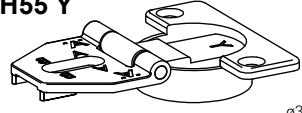
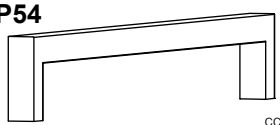




3320

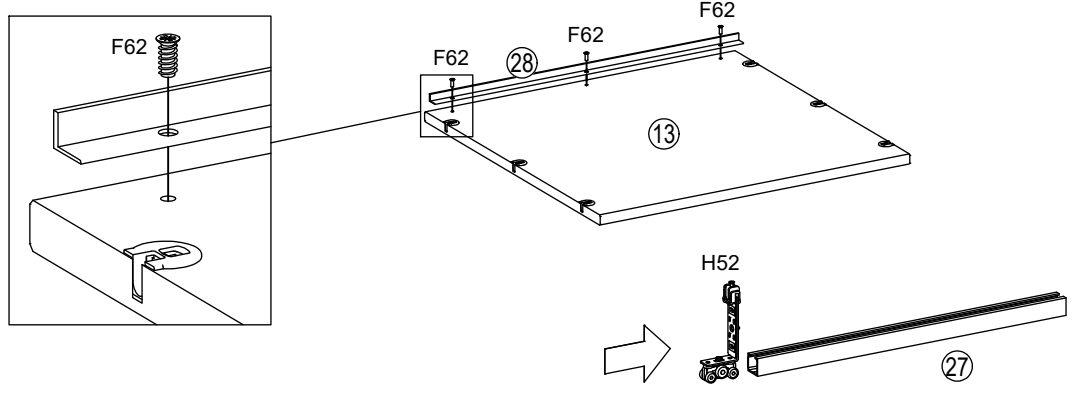
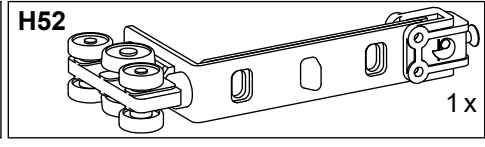
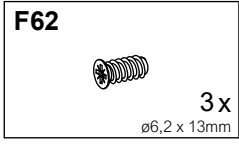


3330

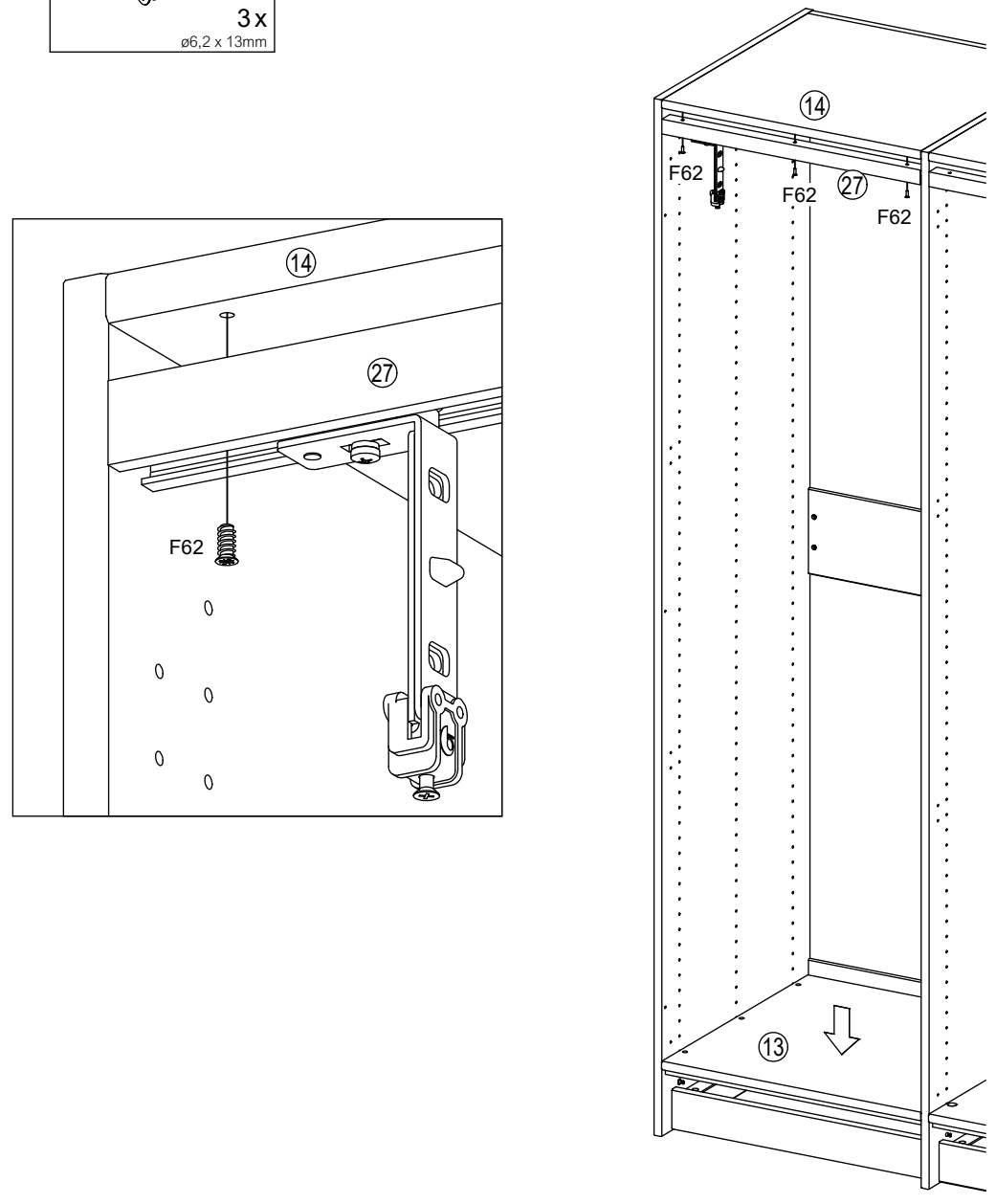
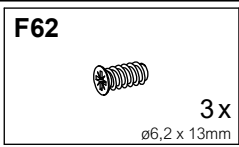


C01  3x M6 x 15mm	C21  3x M4 x 12mm	D11  26x ø3,5 x 15mm	F35  2x M4 x 25mm	F62  6x ø6,2 x 13mm	
H01  4x ø35mm	H03  4x	H52  1x			
H53  1x	H54  3x ø35mm	H55 X  3x ø35mm	H55 Y  3x ø35mm		
P54  1x cc224mm	U60  2x ø10 x 3mm	W51  2x ø17,5/ø6,8 x 1,5mm			

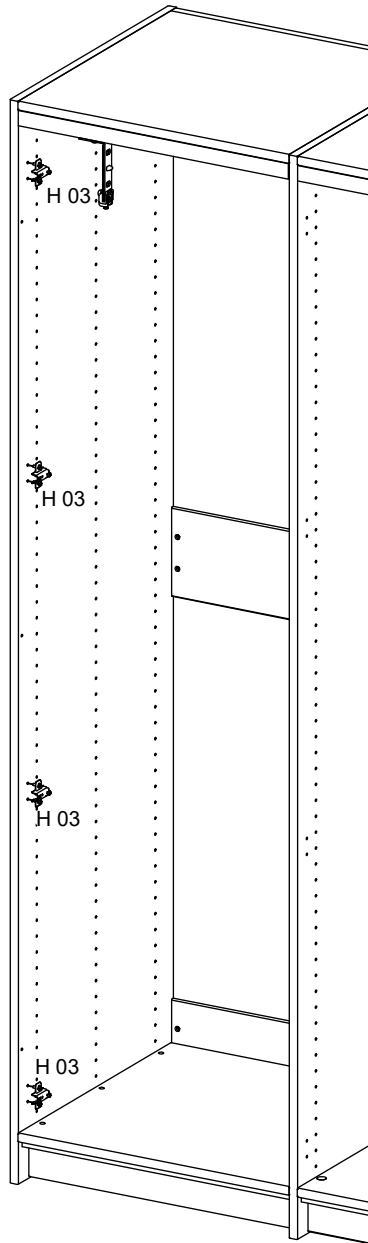
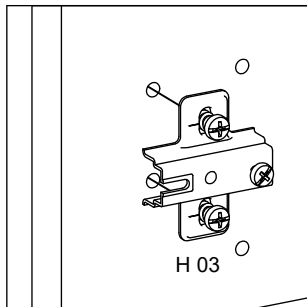
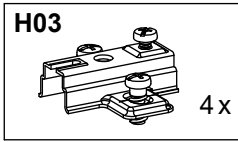
1



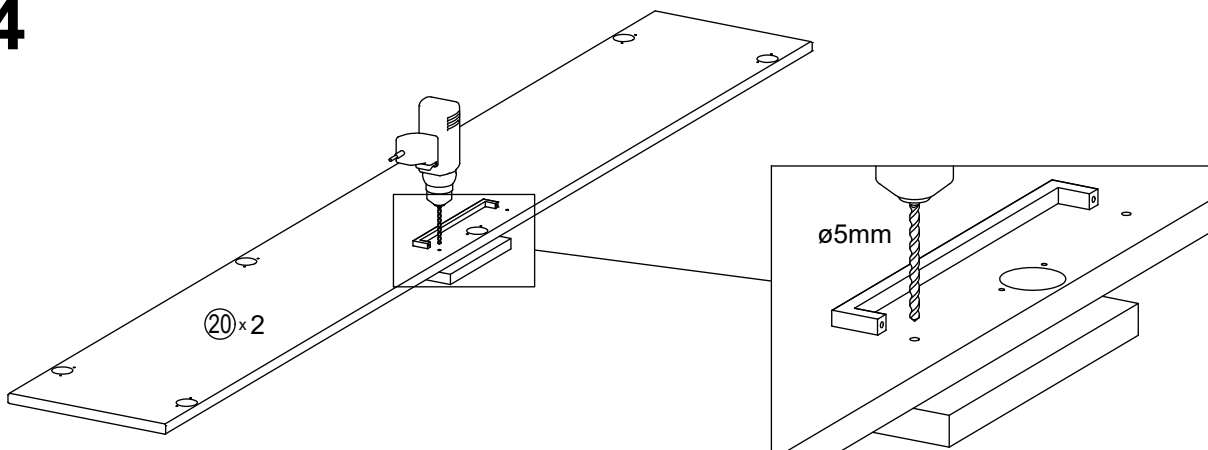
2





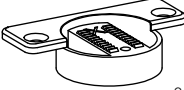
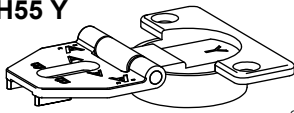
3

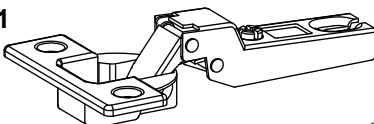


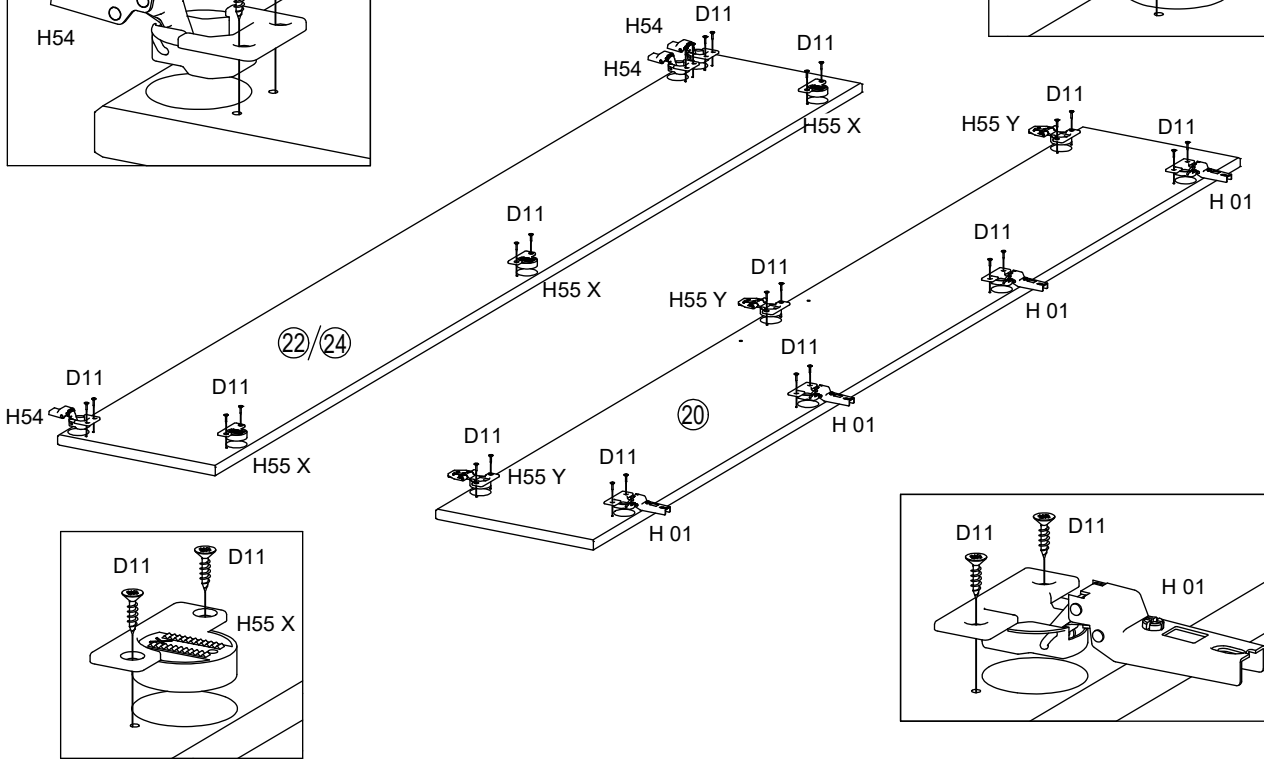
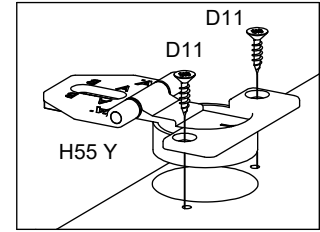
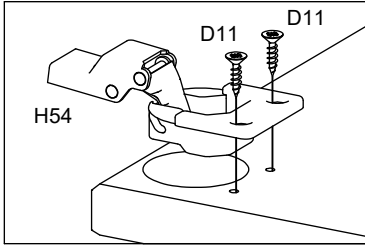
4





5

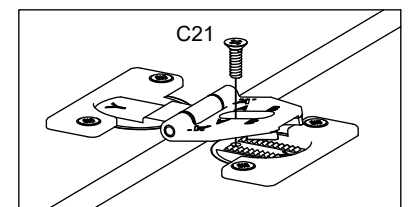
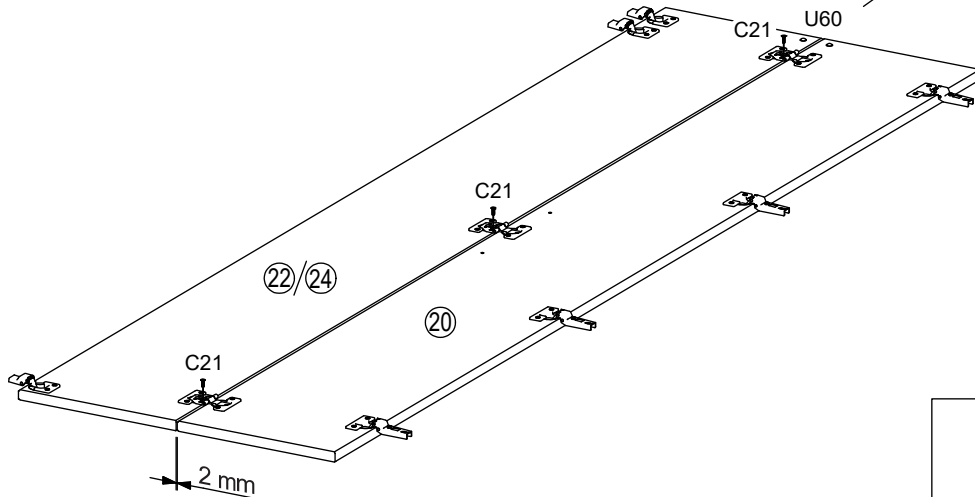
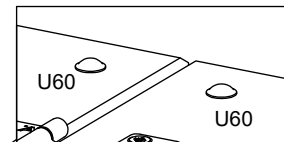
D11  26 x ø3,5 x 15mm	H54  3 x ø35mm	H55 X  3 x ø35mm	H55 Y  3 x ø35mm
--	---	--	---

H01  4 x ø35mm

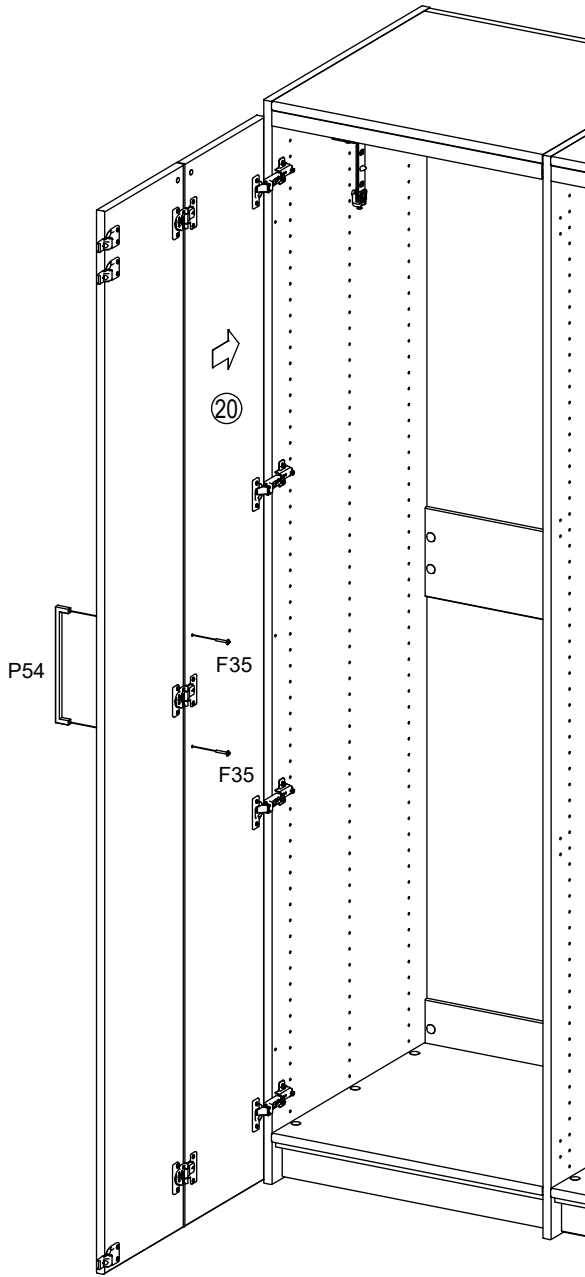
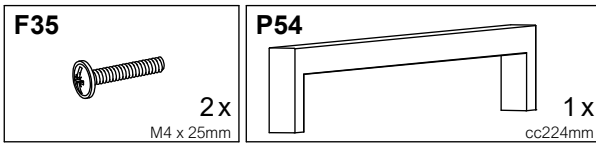


6

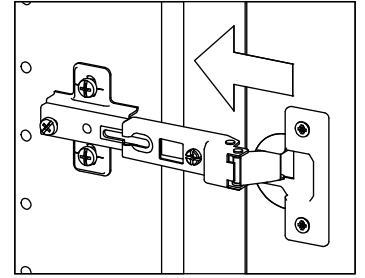
C21  3 x M4 x 12mm	U60  2 x ø10 x 3mm
---	---



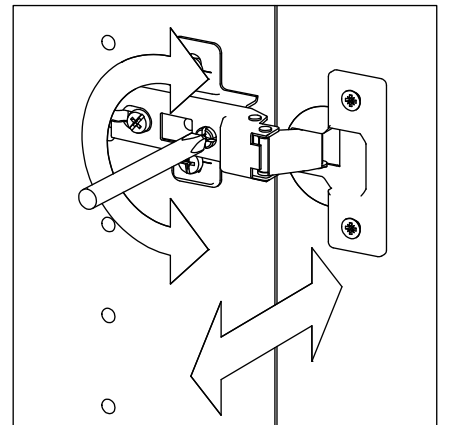
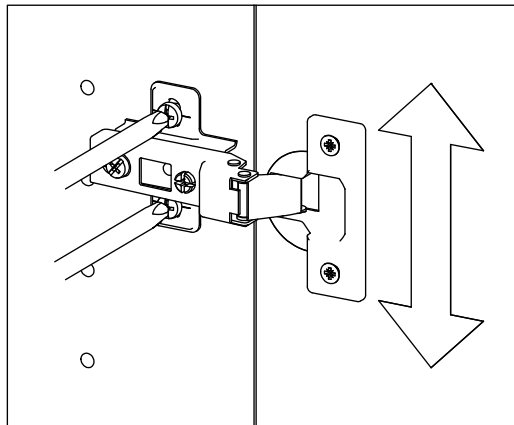
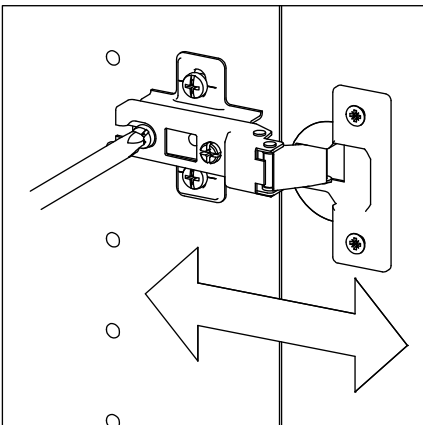
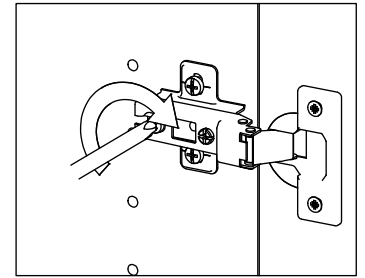
7



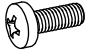
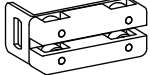

7.1



7.2



8

C01  3 x M6 x 15mm	H53  1 x	W51  2 x ø17,5/ø6,8 x 1,5mm
---	--	--

