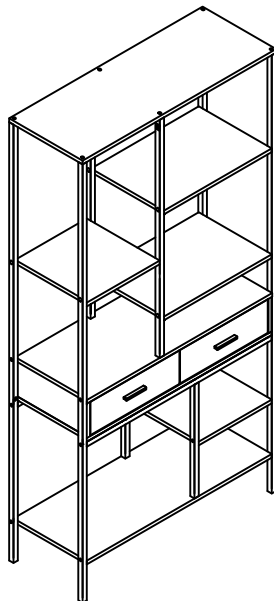


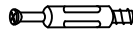

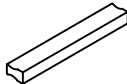


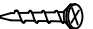





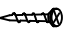
ASSEMBLY INSTRUCTION

- It would be best if you set aside and organize all pieces & corresponding "nuts/bolts" first.
- Please follow the instructions to assemble the items correctly.
- Could be assembled by one person ,but would recommend two.
- Please ensure the safety of the glass when assembling.
- Do not make the screws too loose or too tight.
- As shown in the figure, Insert the screw into the hole.
The arrow in the picture, Then rotate 90° or 180° clockwise.
- The remaining parts are spare parts.

SAFETY INFORMATION

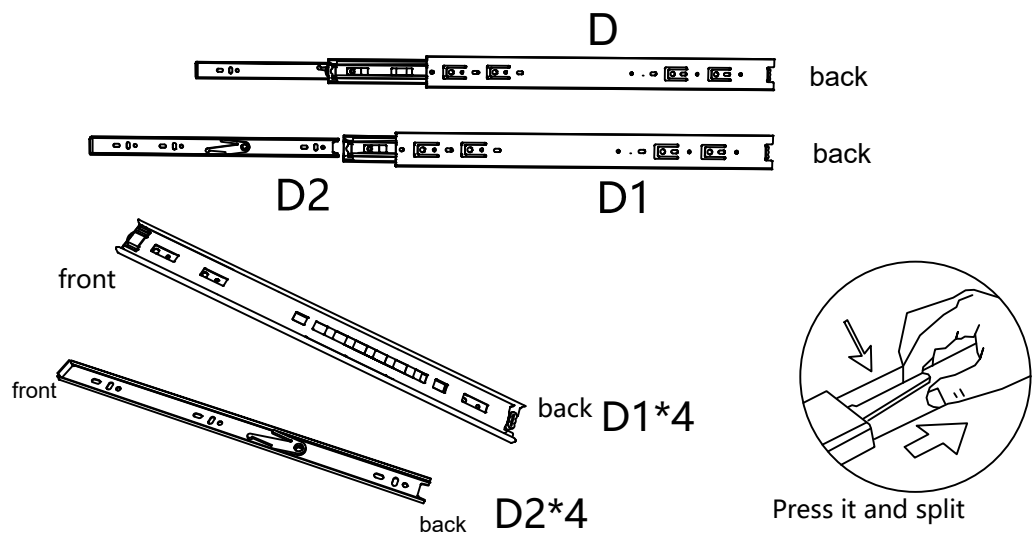
- The accessory bag contains some small accessories , which should be kept away from children.
- Kids are not allowed to climb or play with the product for safety reasons



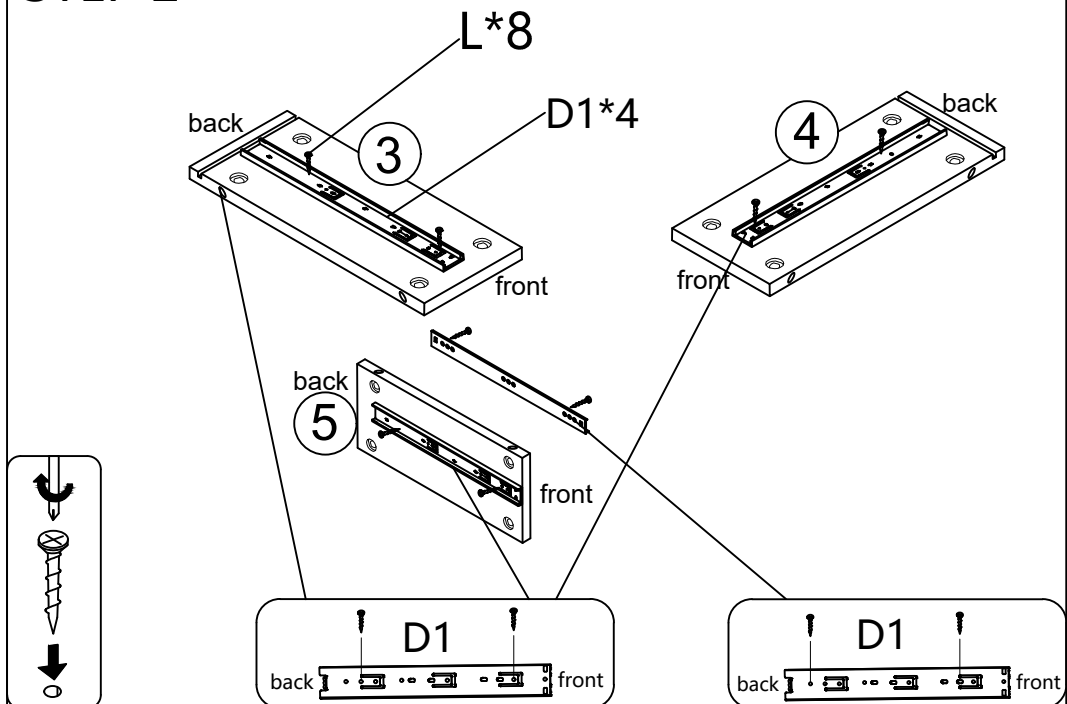
 A1*28	 A2*28	 B*2	 C*6	 D*4	 E*24
 F*4	 G*6	 H*4	 J*14	 K*2	 L*22

STEP 1

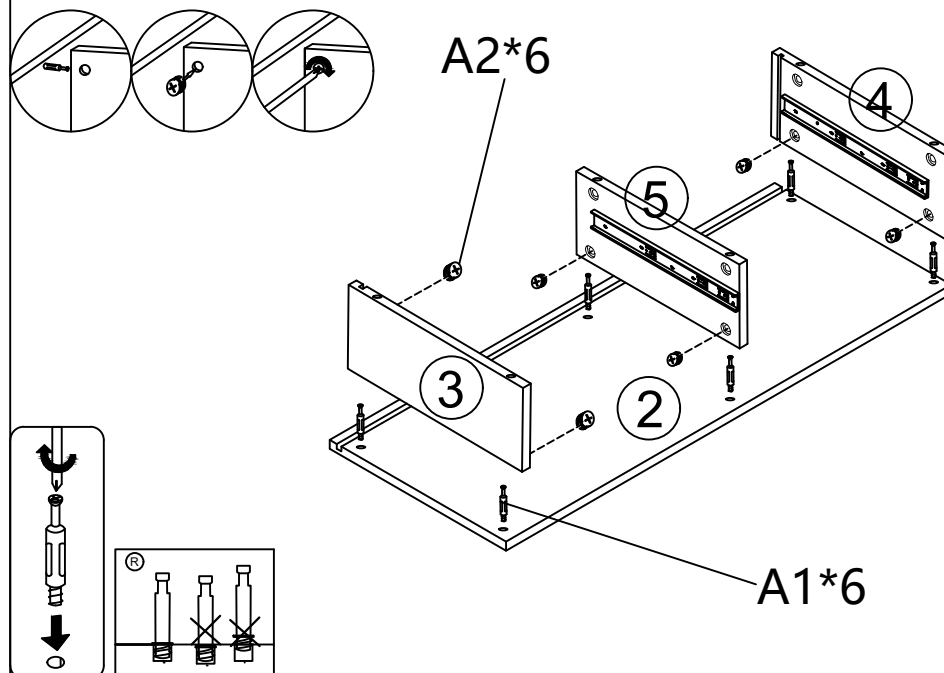
Warm Reminder:
Before installing the drawer rail,
you need to seerate the D1 and D2 fist.



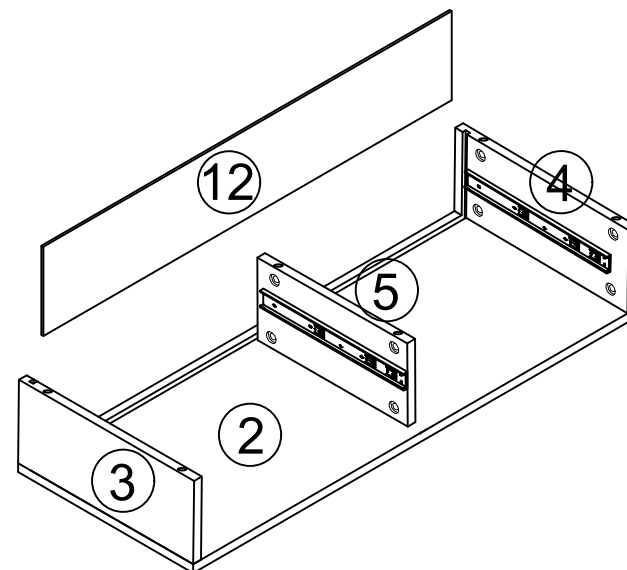
STEP 2



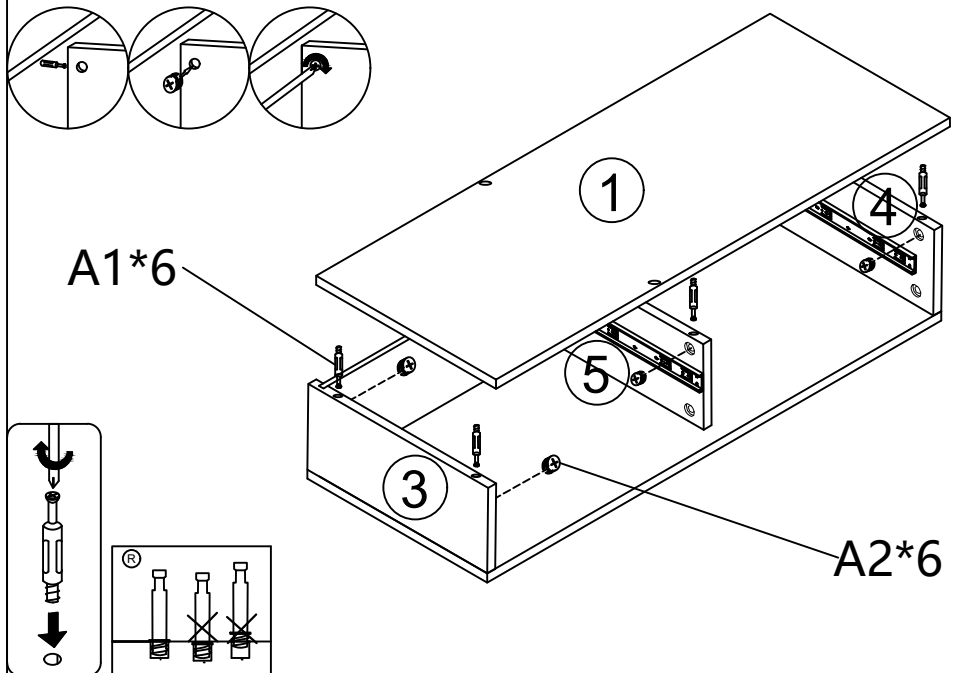
STEP 3



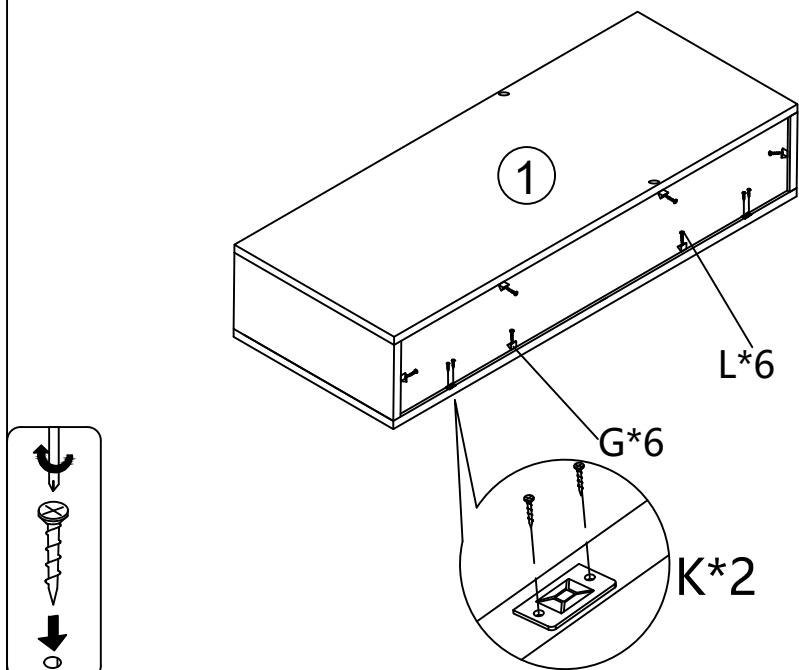
STEP 4



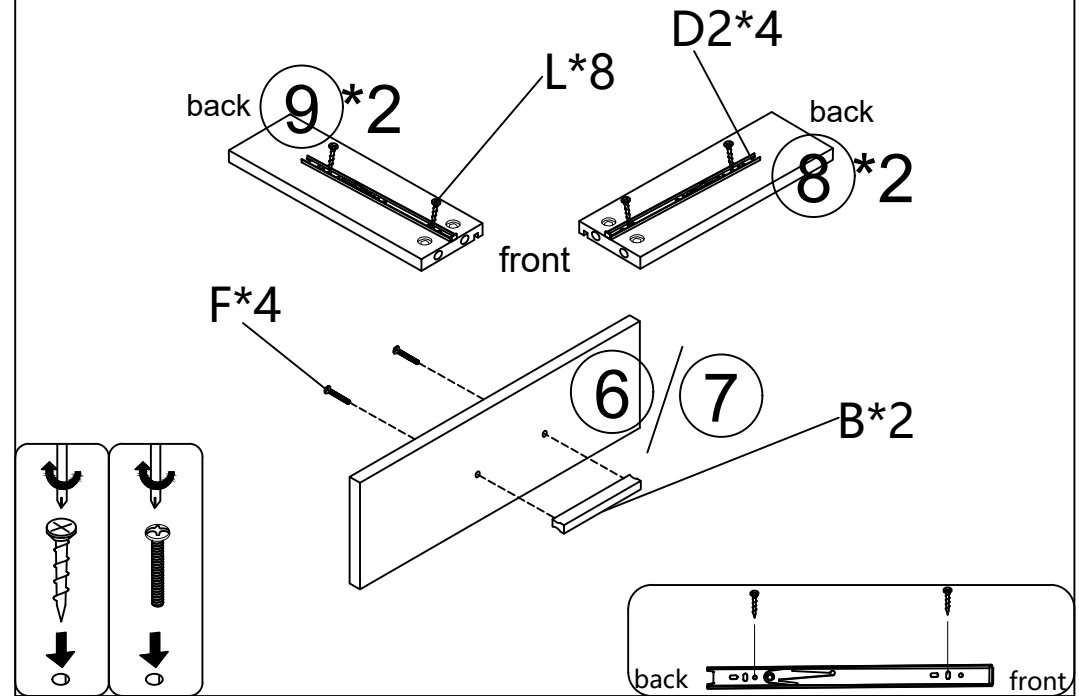
STEP 5



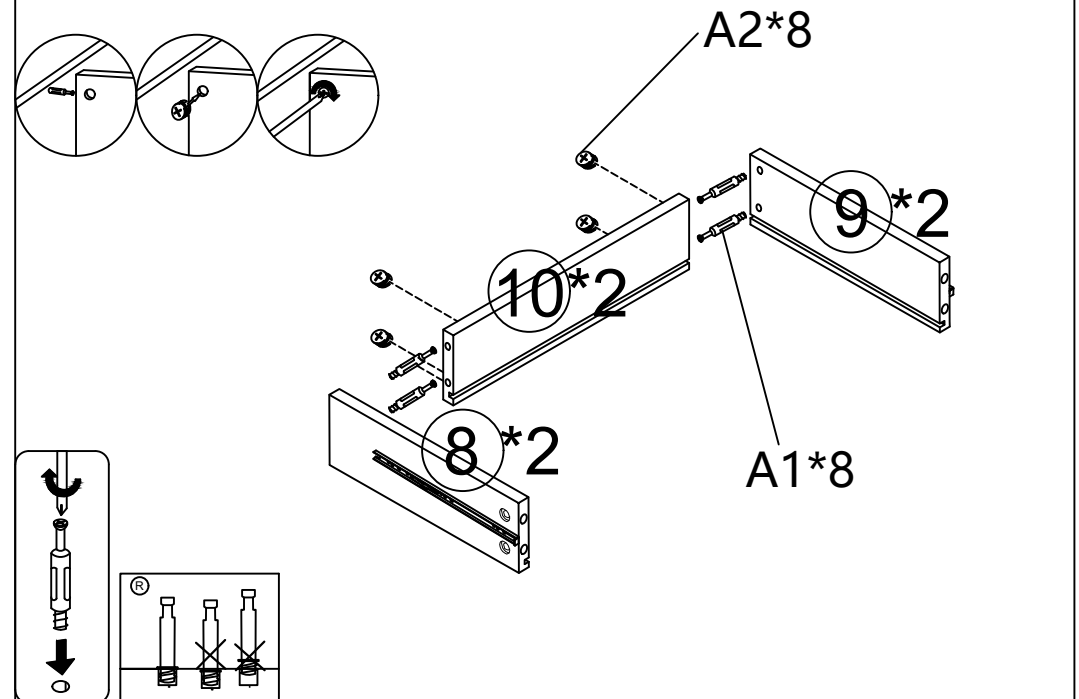
STEP 6



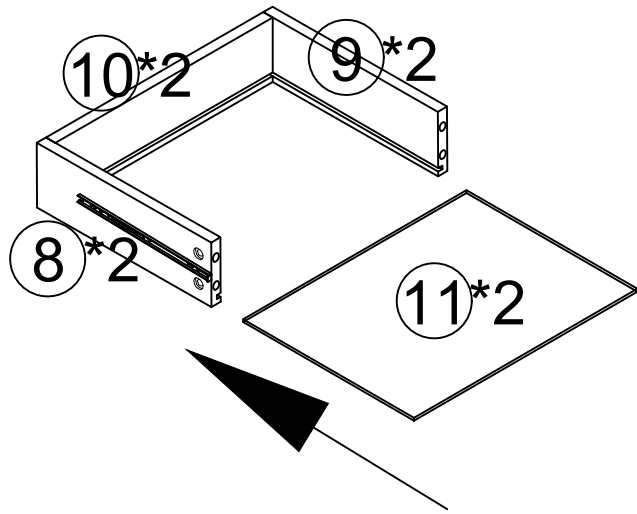
STEP 7



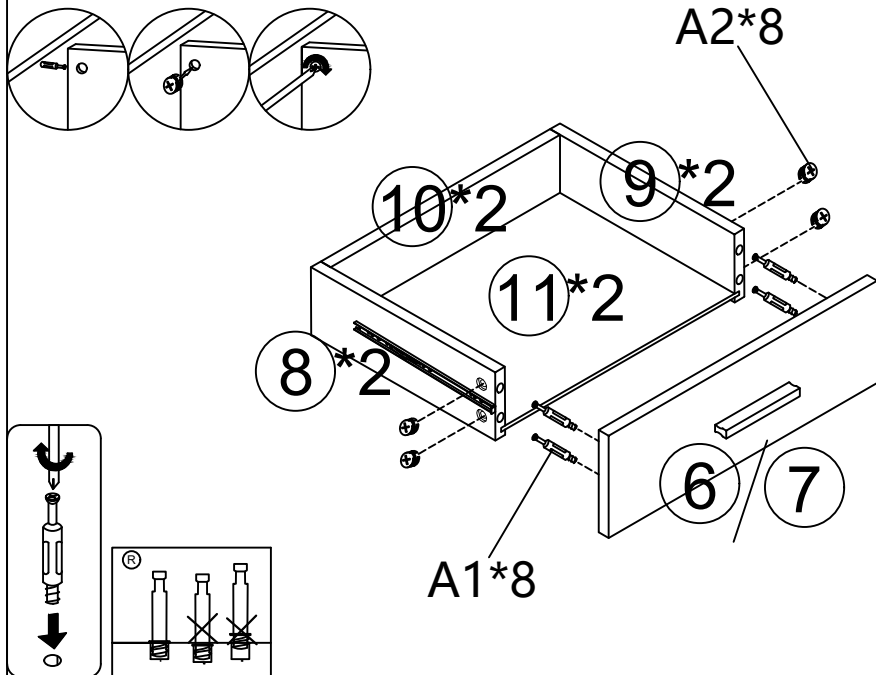
STEP 8



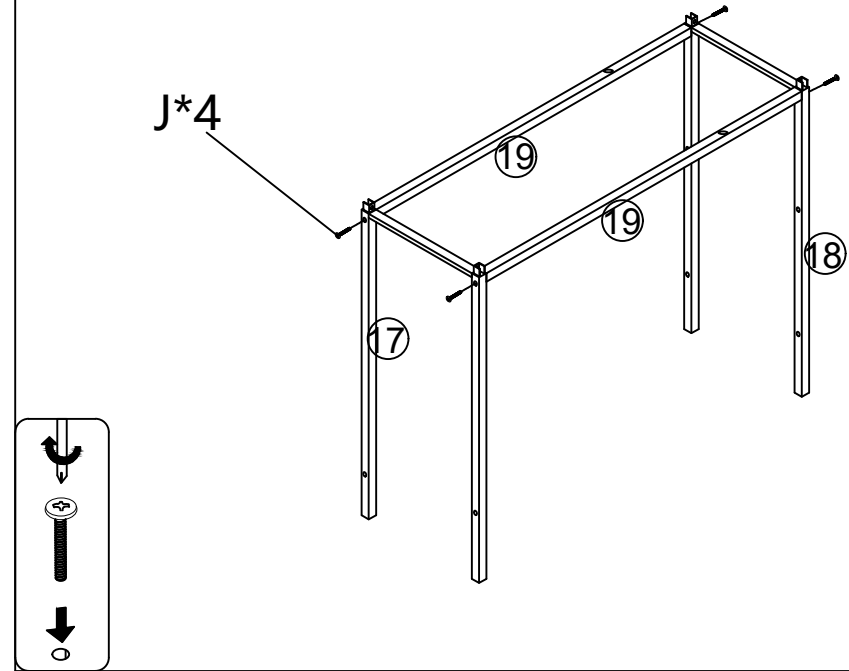
STEP 9



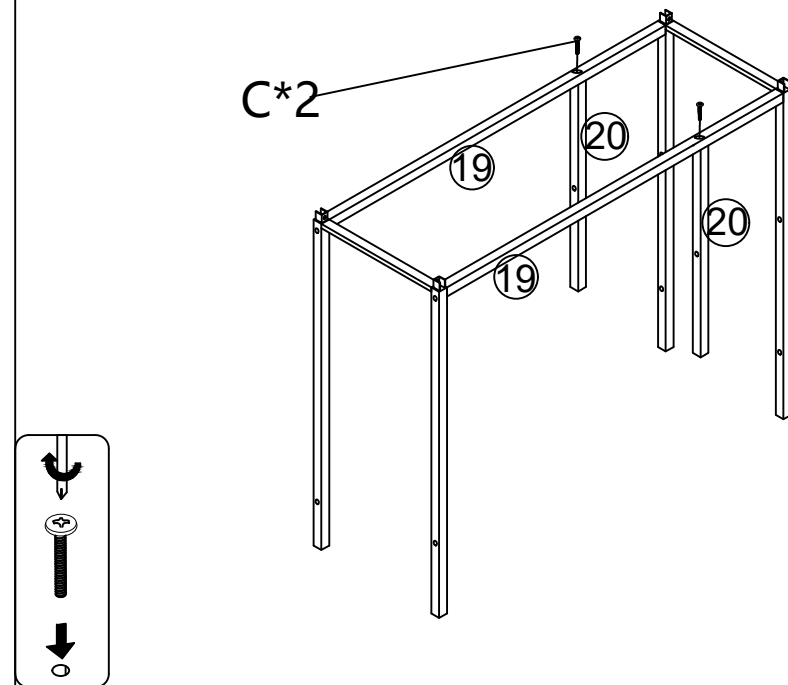
STEP 10



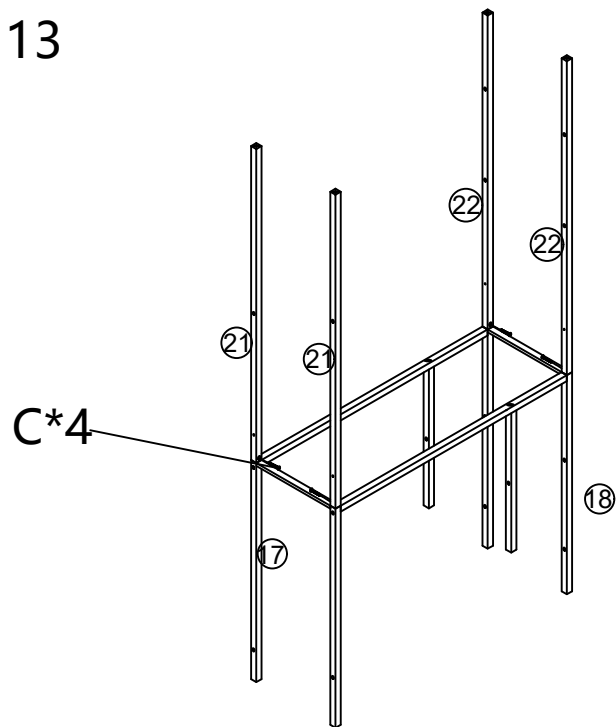
STEP 11



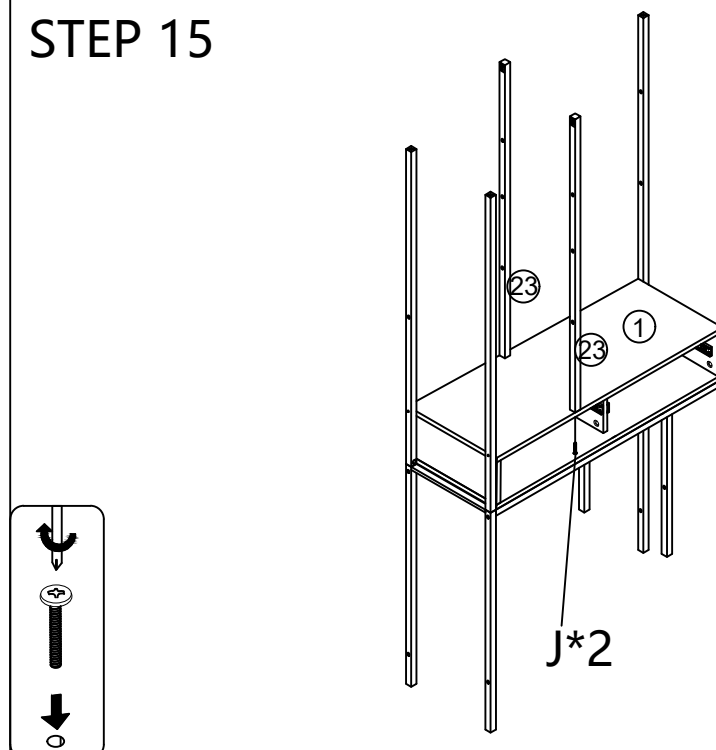
STEP 12



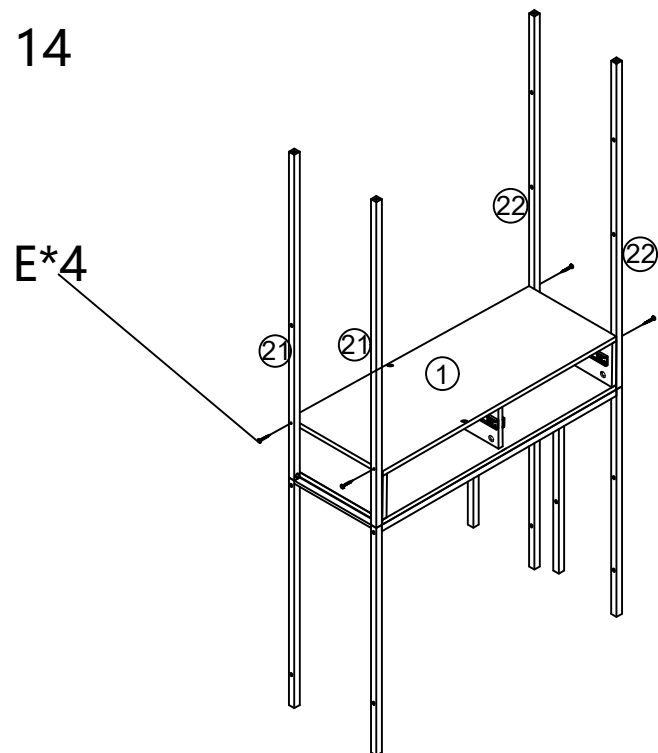
STEP 13



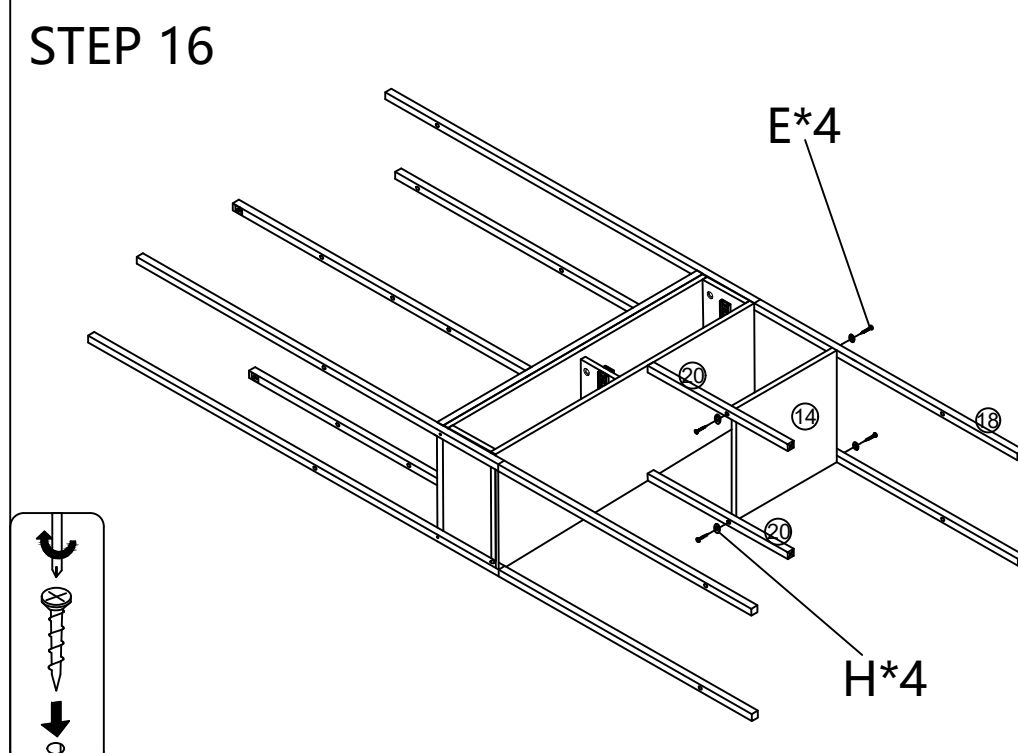
STEP 15



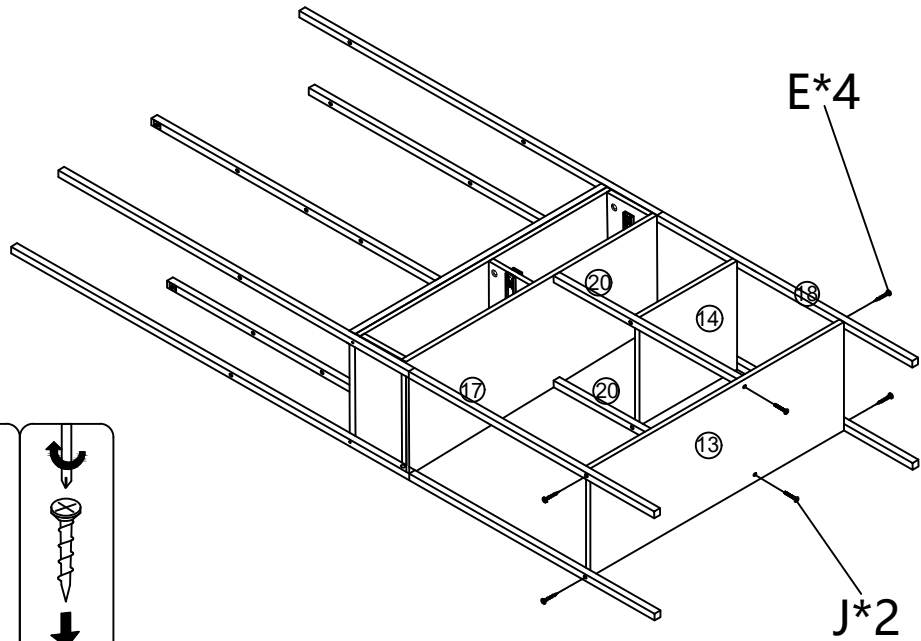
STEP 14



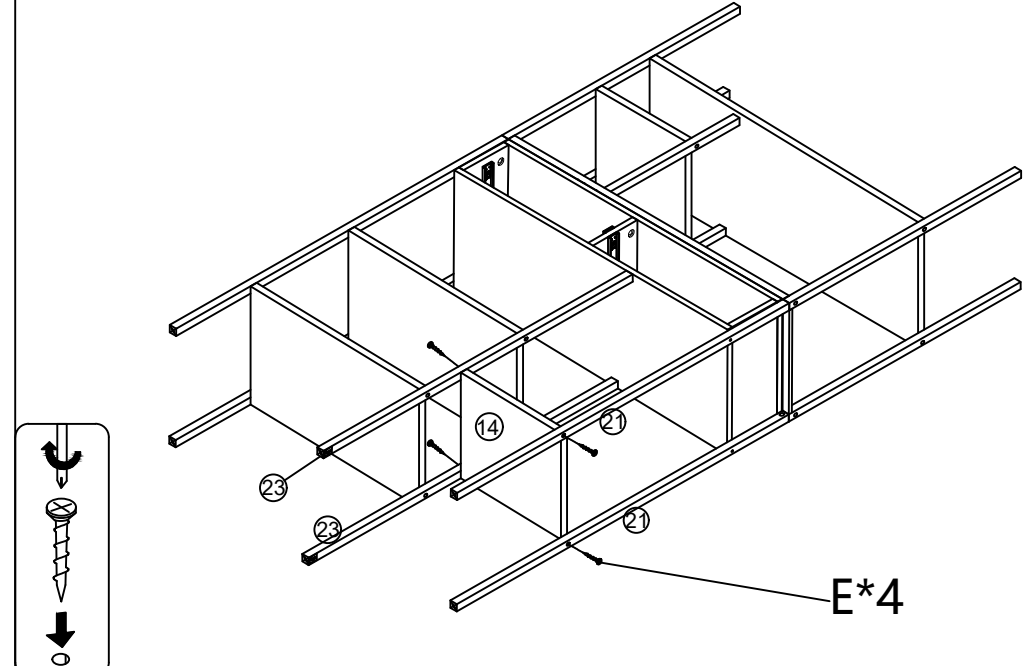
STEP 16



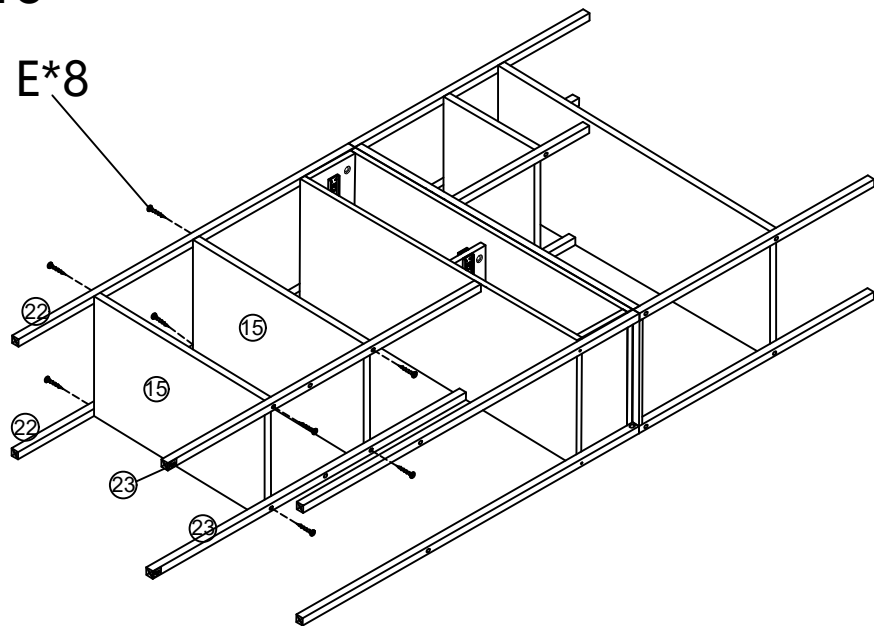
STEP 17



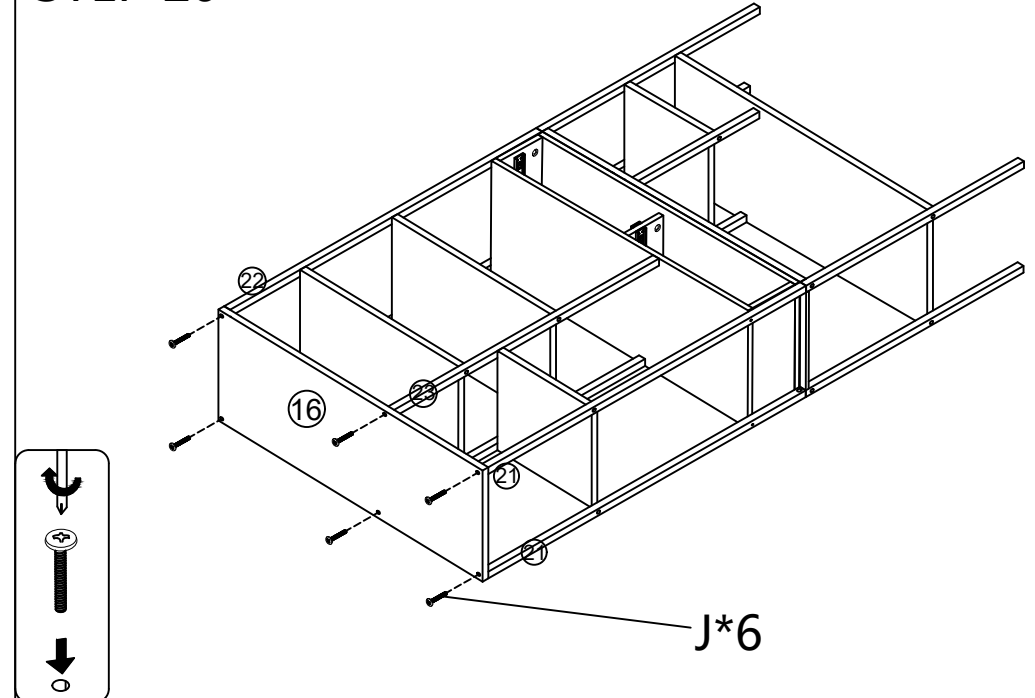
STEP 19



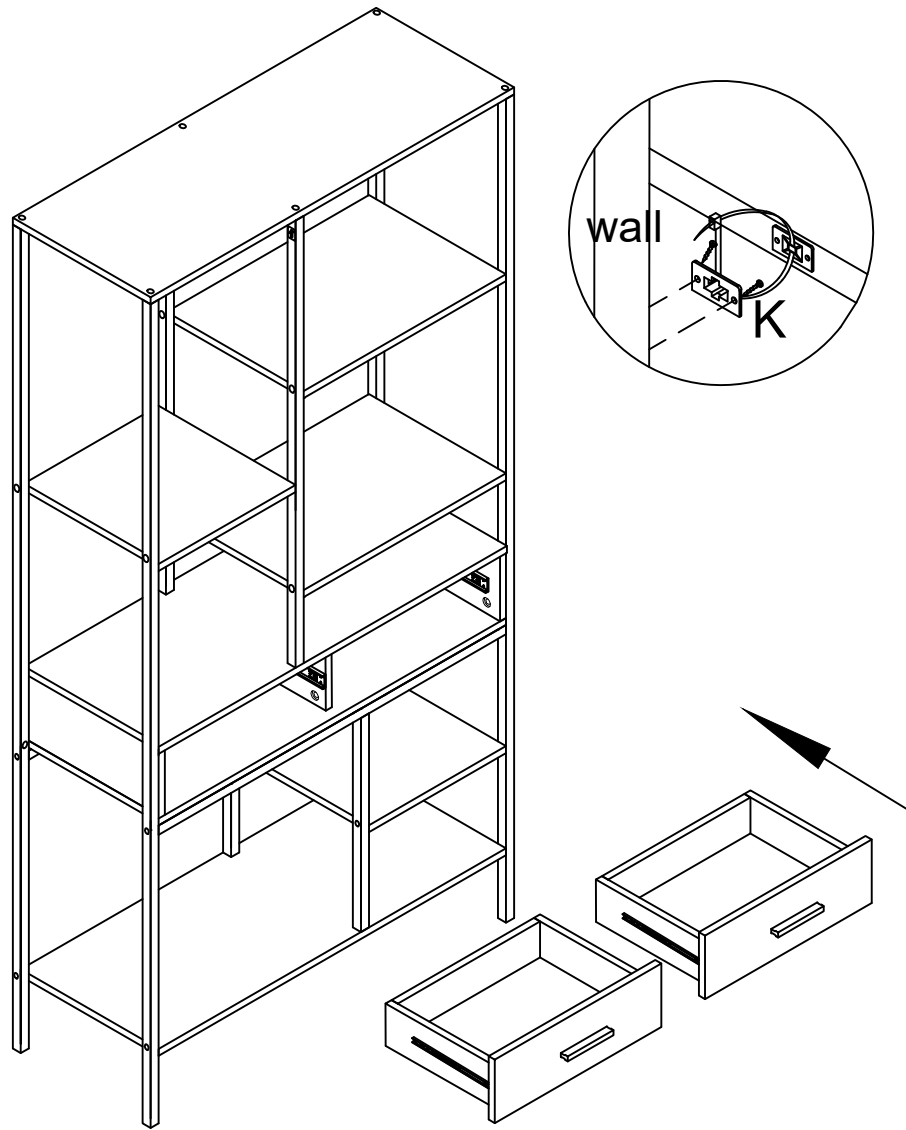
STEP 18



STEP 20



STEP 21



STEP 22

