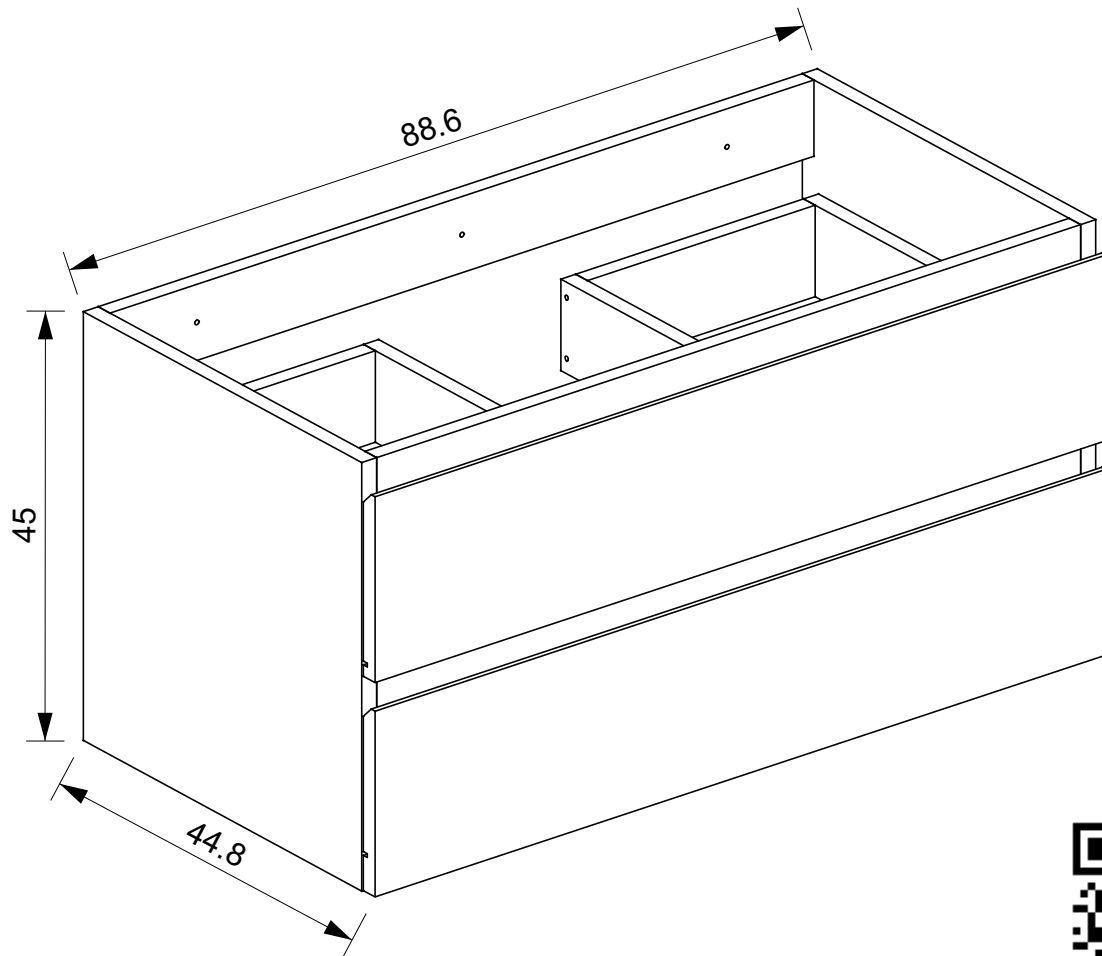


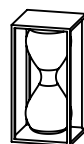
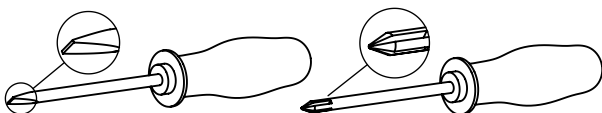


Homeline GmbH & Co.KG Siegfriedstr. 96,32756 Detmold

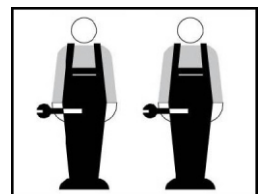
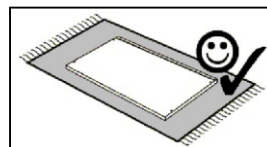
# COBRA



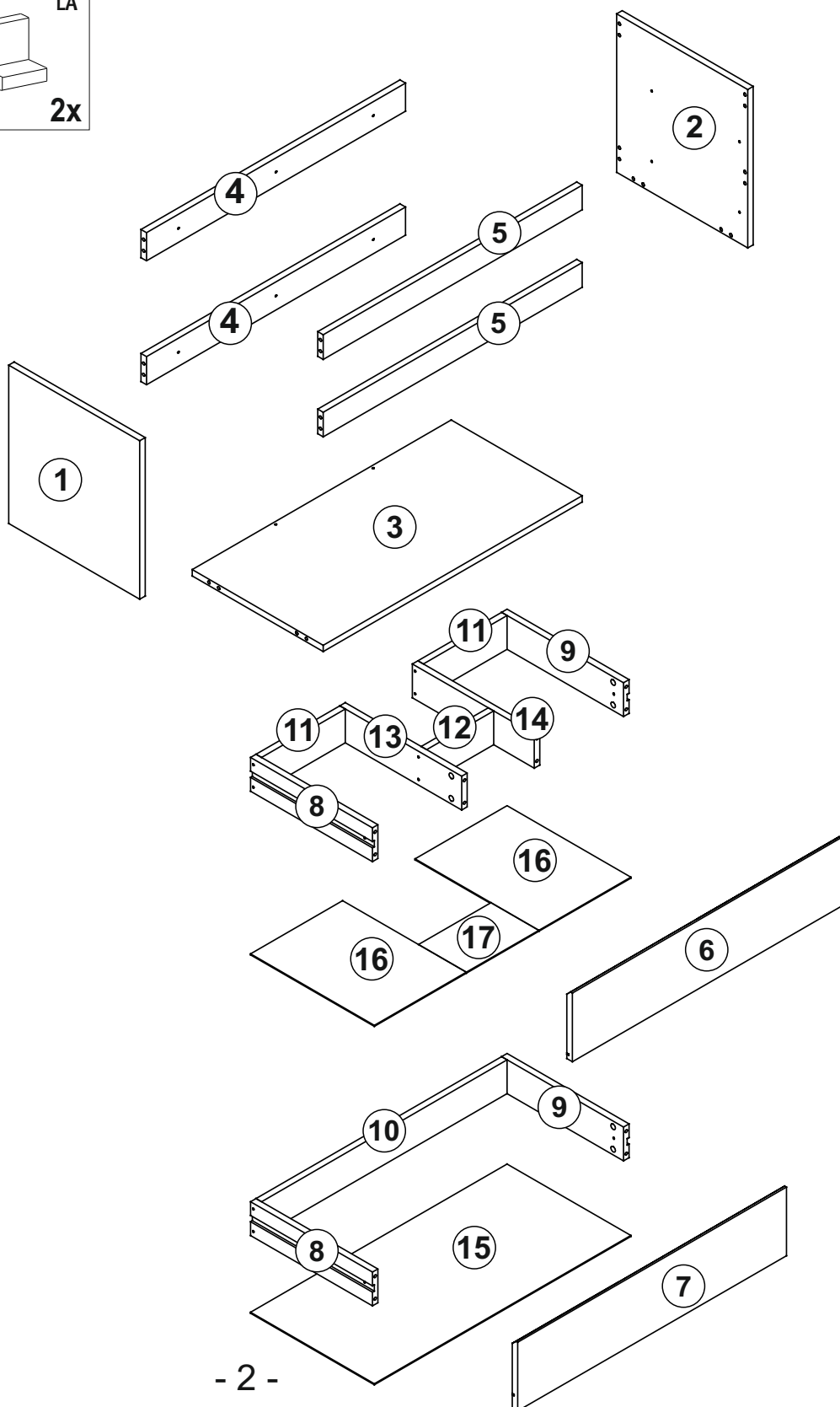
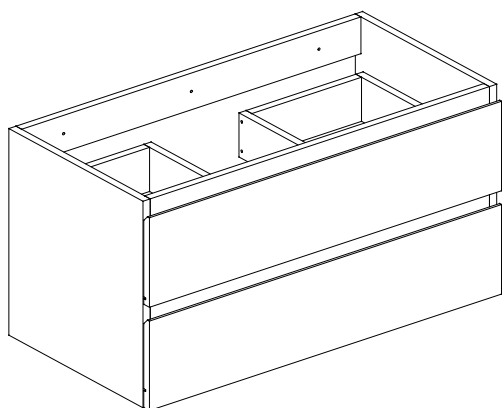
[www.homeline1.de](http://www.homeline1.de)



30min



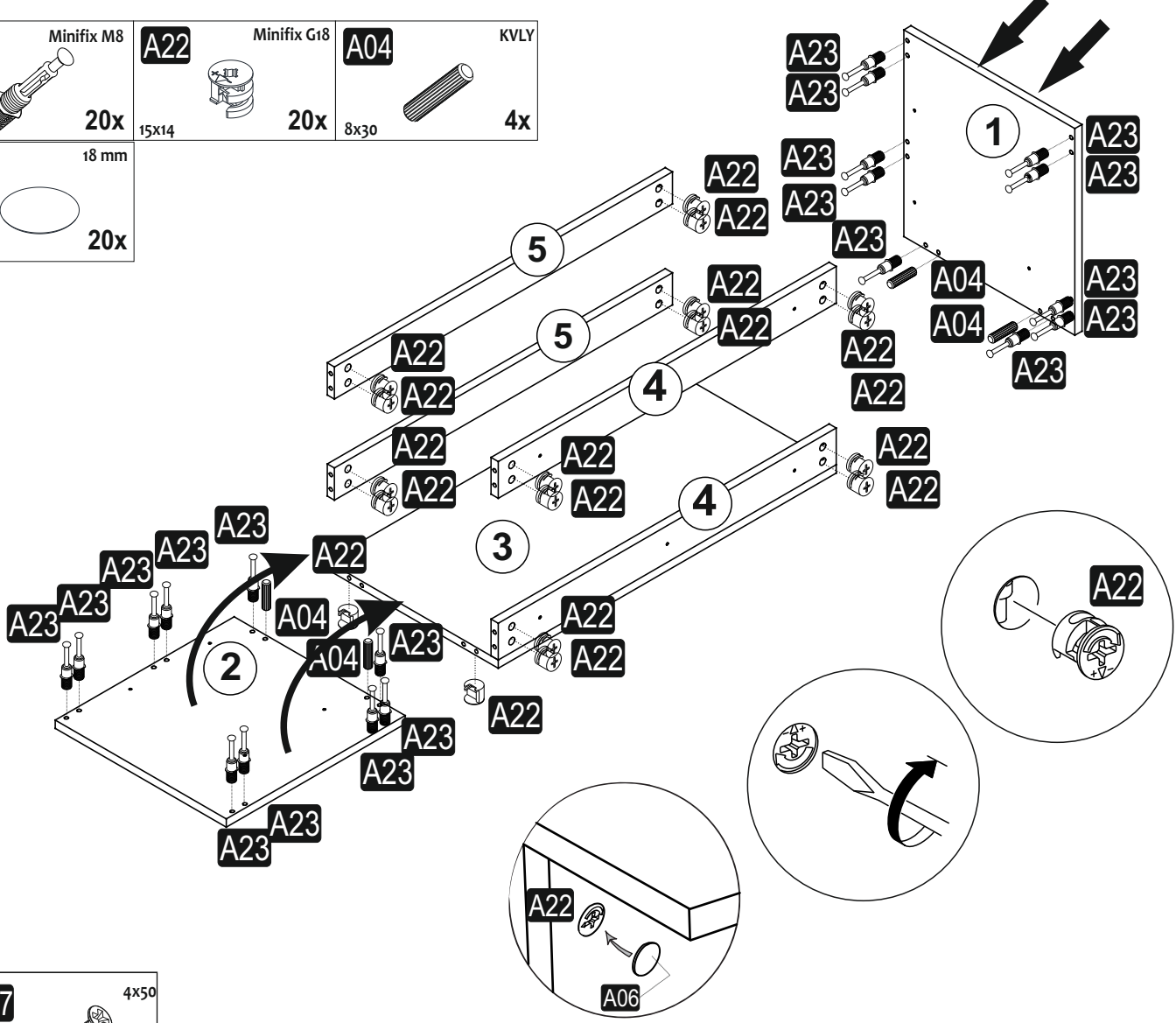
<b>A23</b> Minifix M8 8x34 32x	<b>A22</b> Minifix G18 15x14 32x	<b>A04</b> KVLV 8x30 4x	<b>A42</b> 5x70 8x	<b>A18</b> 3,5x18 16x
<b>R05</b> BLY RAY 17x374 2x	<b>V30</b> MTRK VD 4x15 4x	<b>A48</b> AC 52x	<b>A17</b> 4x50 20x	<b>A16</b> DB 8mm 8x
<b>A06</b> P BYZ 18 mm 32x	<b>A29</b> LA 2x			



.01	1	450	430	18
.02	1	450	430	18
.03	1	850	430	18
.04	2	850	80	18
.05	2	850	70	18
.06	1	882	195	18
.07	1	882	195	18
.08	2	400	96	18
.09	2	400	96	18
.10	1	806	96	18
.11	2	275	96	18
.12	1	220	96	18
.13	1	400	96	18
.14	1	400	96	18
.15	1	842	406	3
.16	2	302	406	3
.17	1	238	157	3

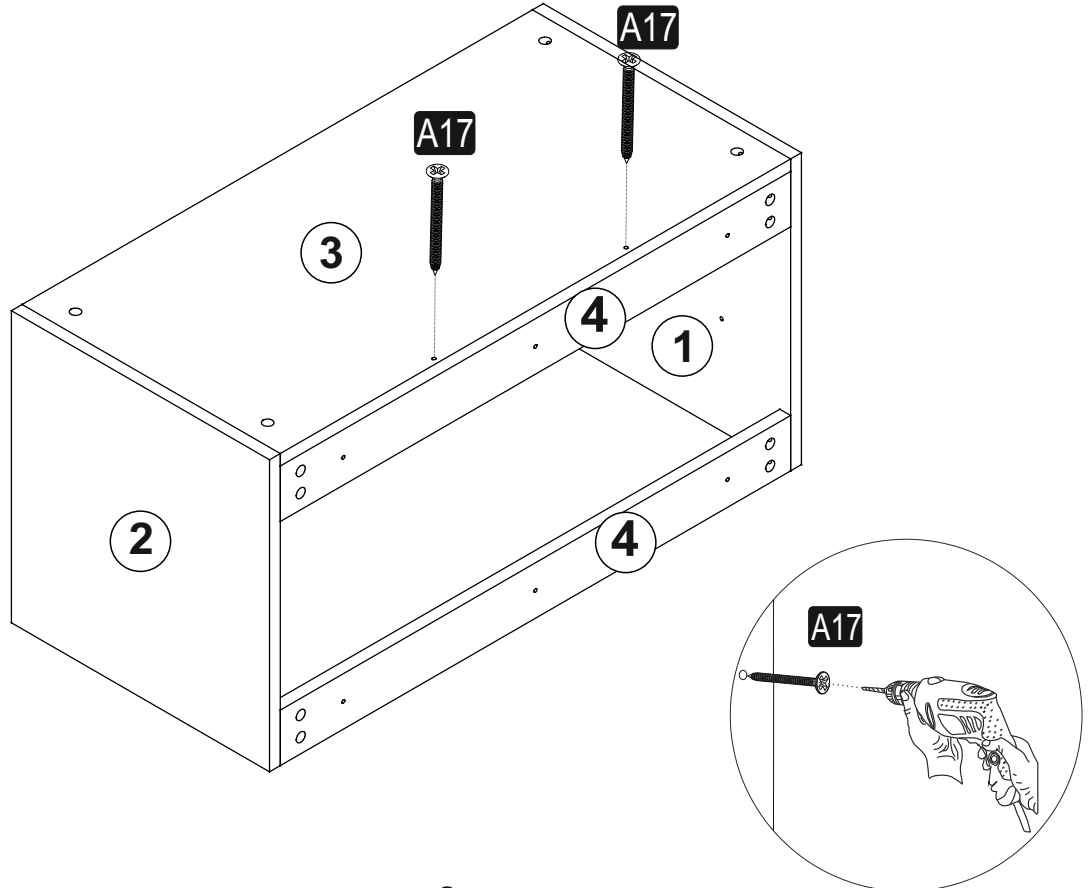
# 1

<b>A23</b> Minifix M8 8x34 20x	<b>A22</b> Minifix G18 15x14 20x	<b>A04</b> KVLV 8x30 4x
<b>A06</b> 18 mm P BYZ 20x		

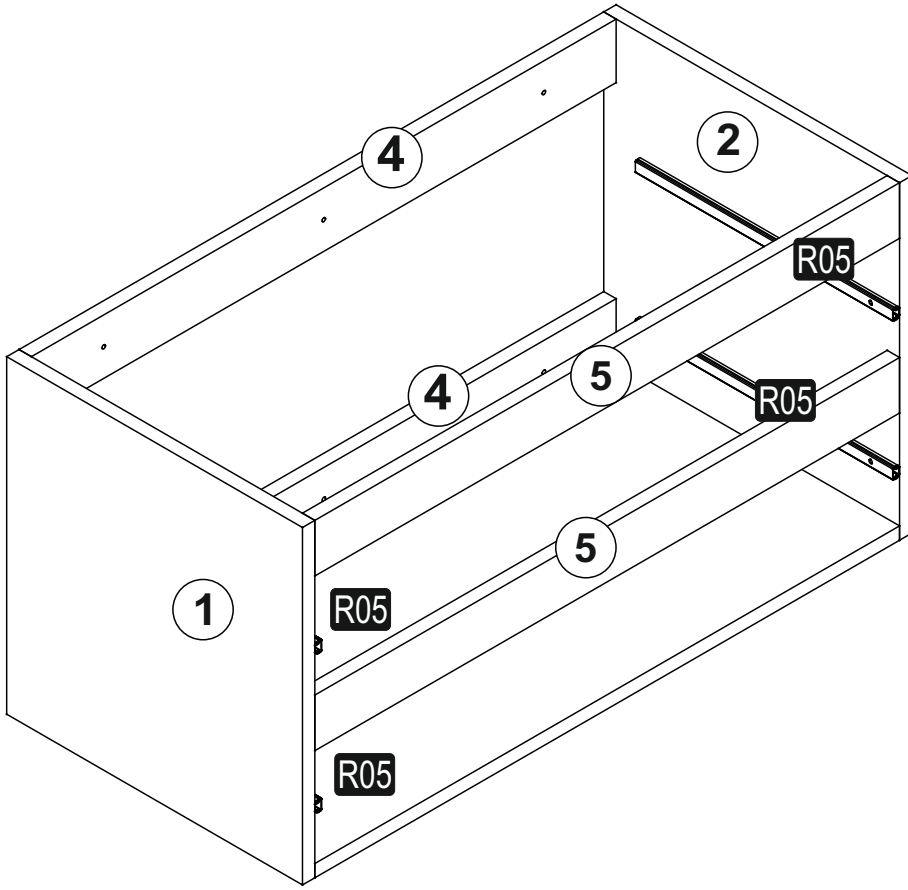




# 2

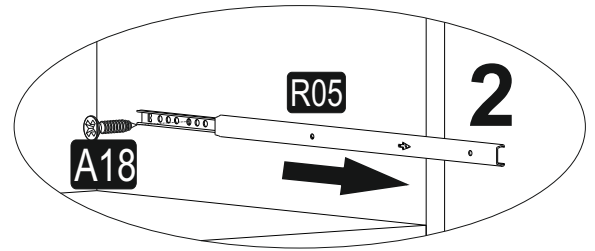
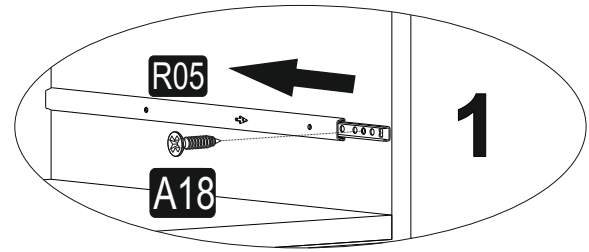
<b>A17</b> 4x50 2x
--------------------------



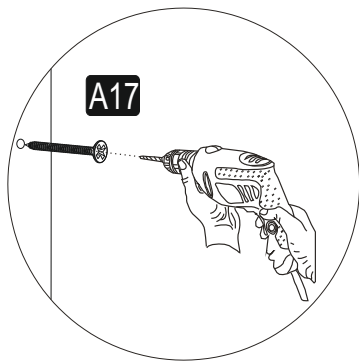
# 3




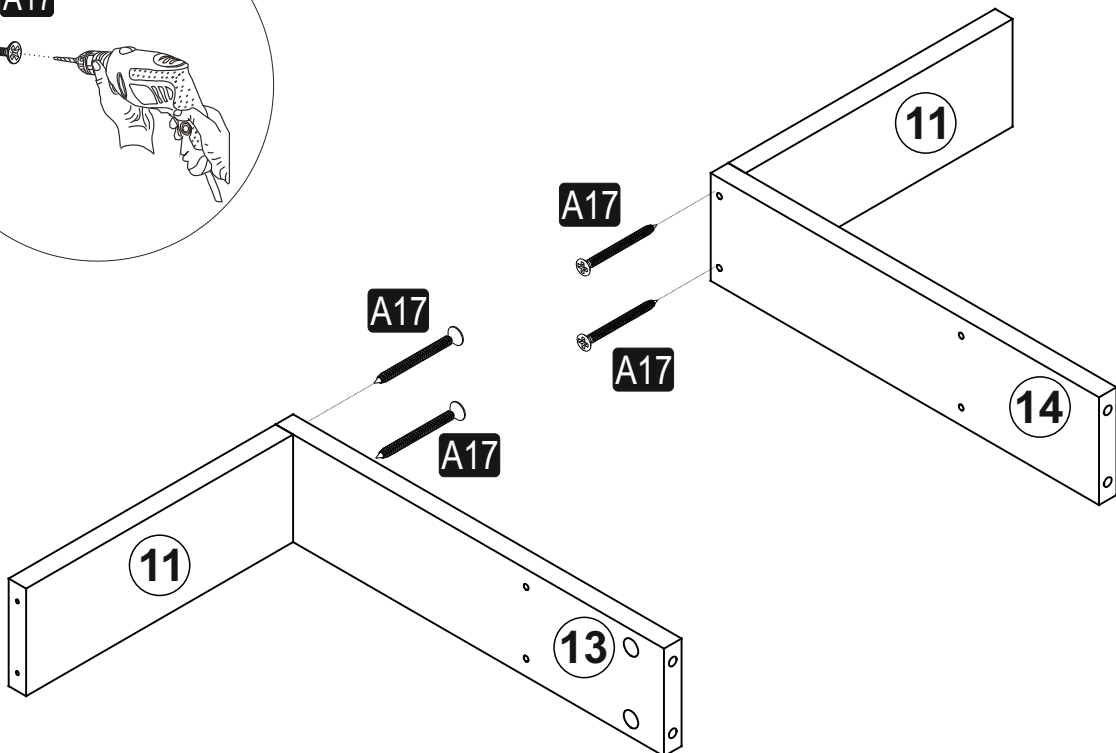
<b>R05</b>	BLY RAY
	
17x374	2x
<b>A18</b>	3,5x18
	8x



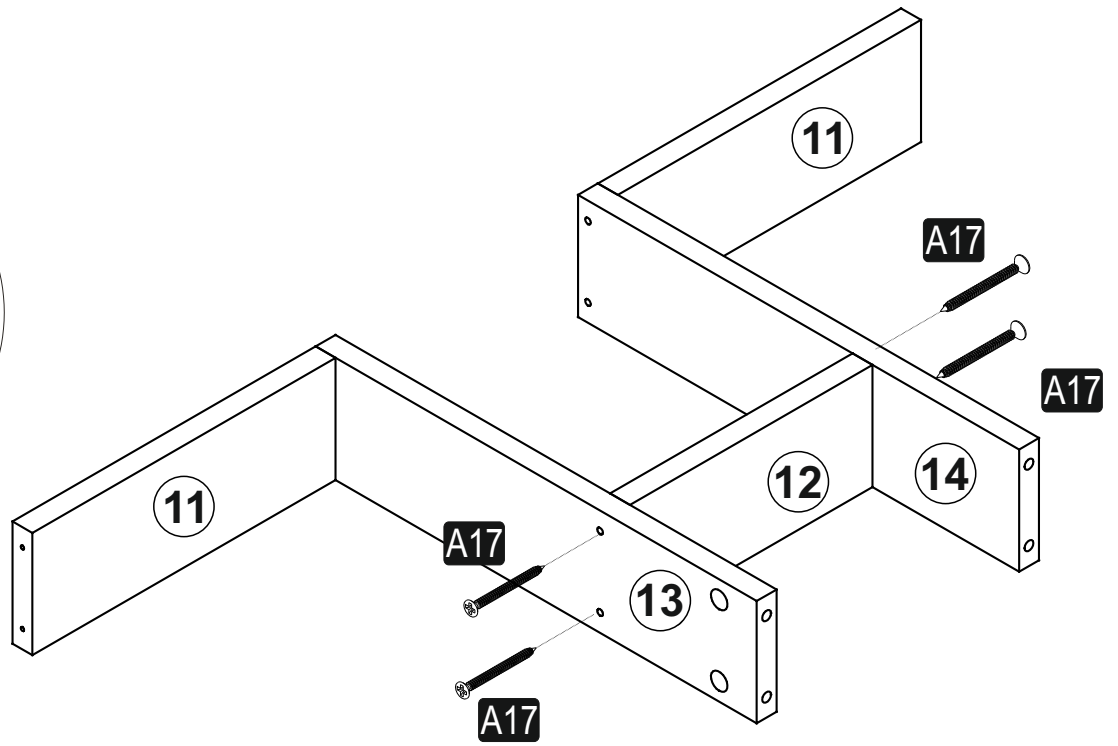
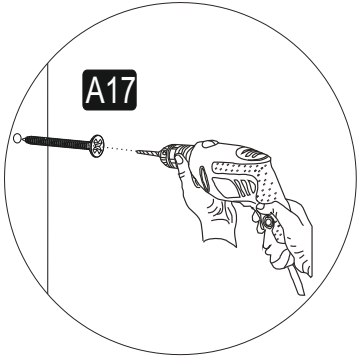
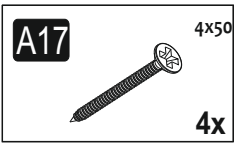
# 4



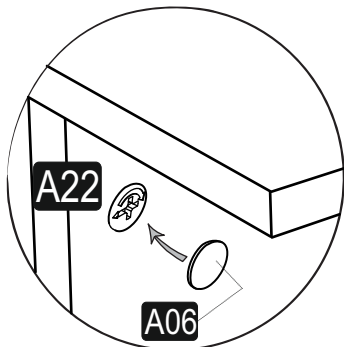
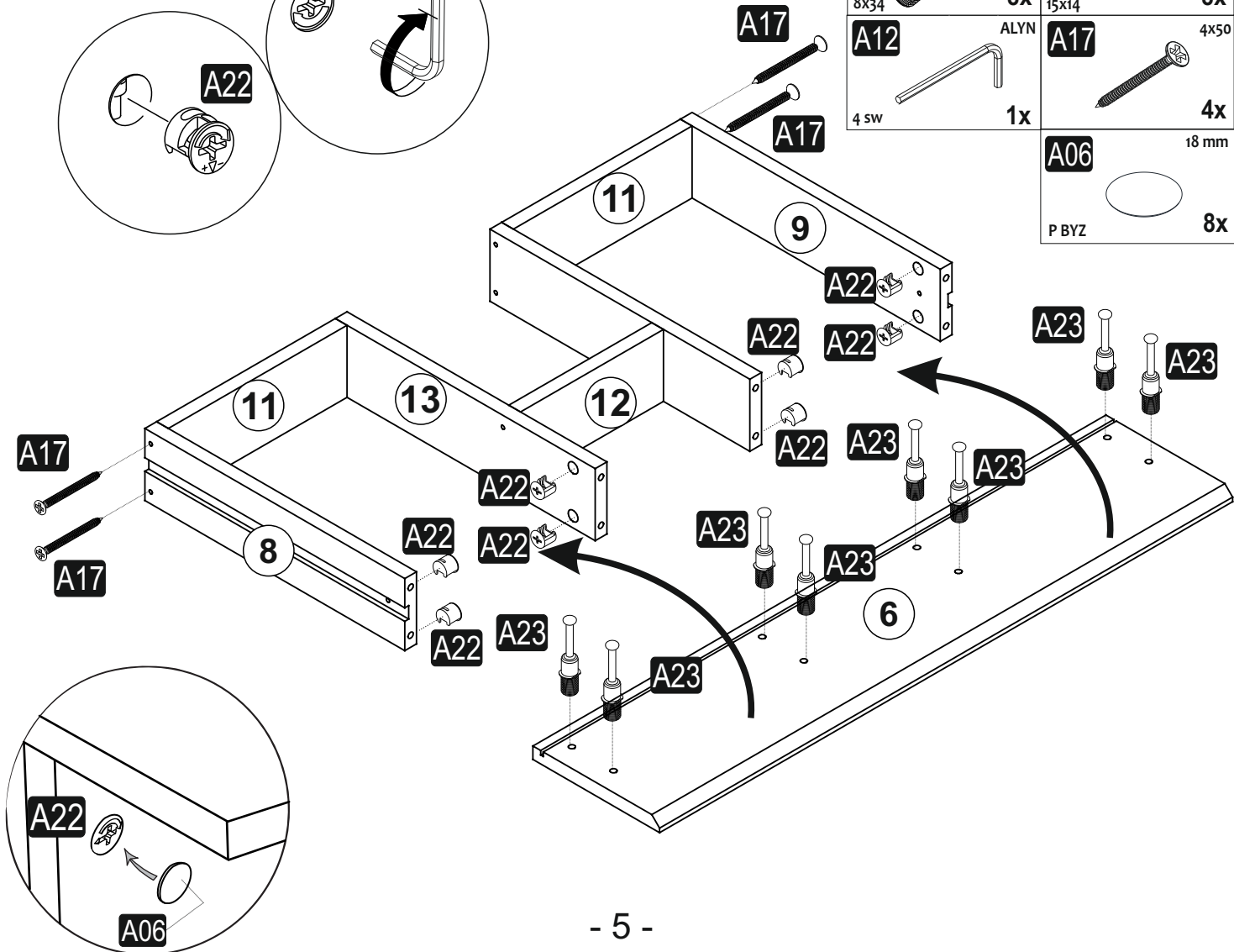
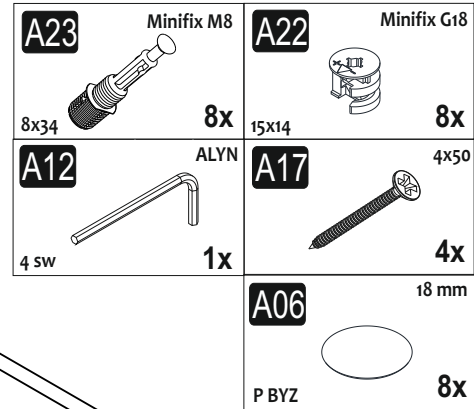
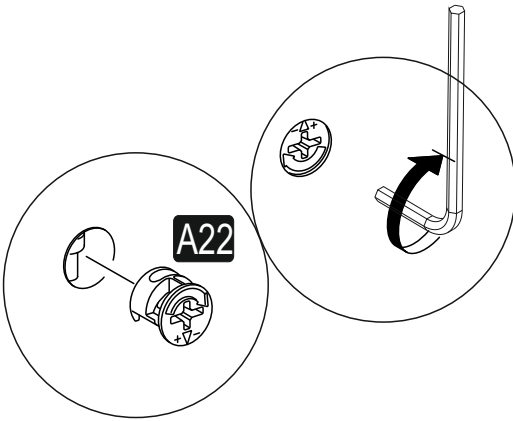
<b>A17</b>	4x50
	
	4x



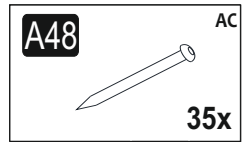
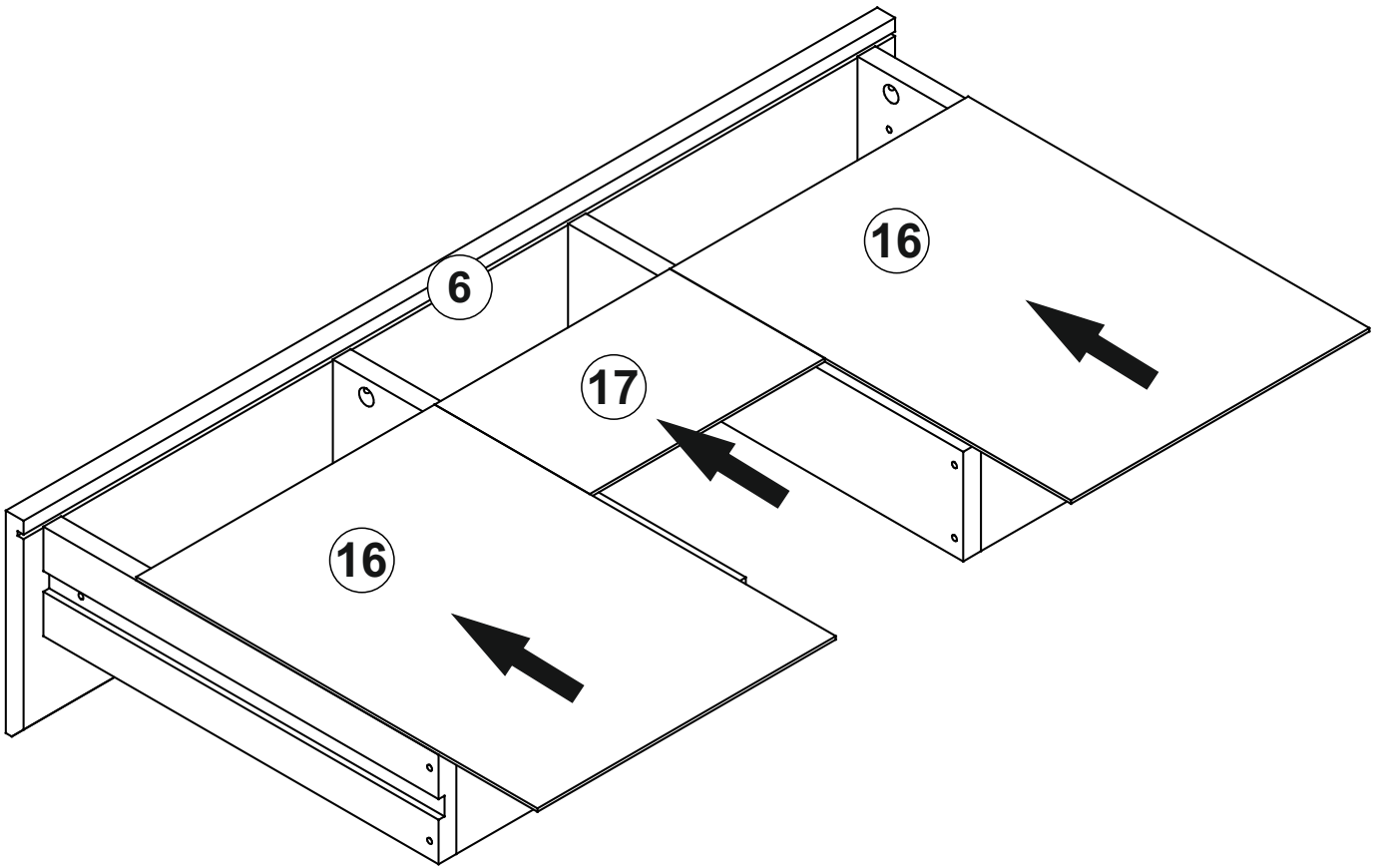
5



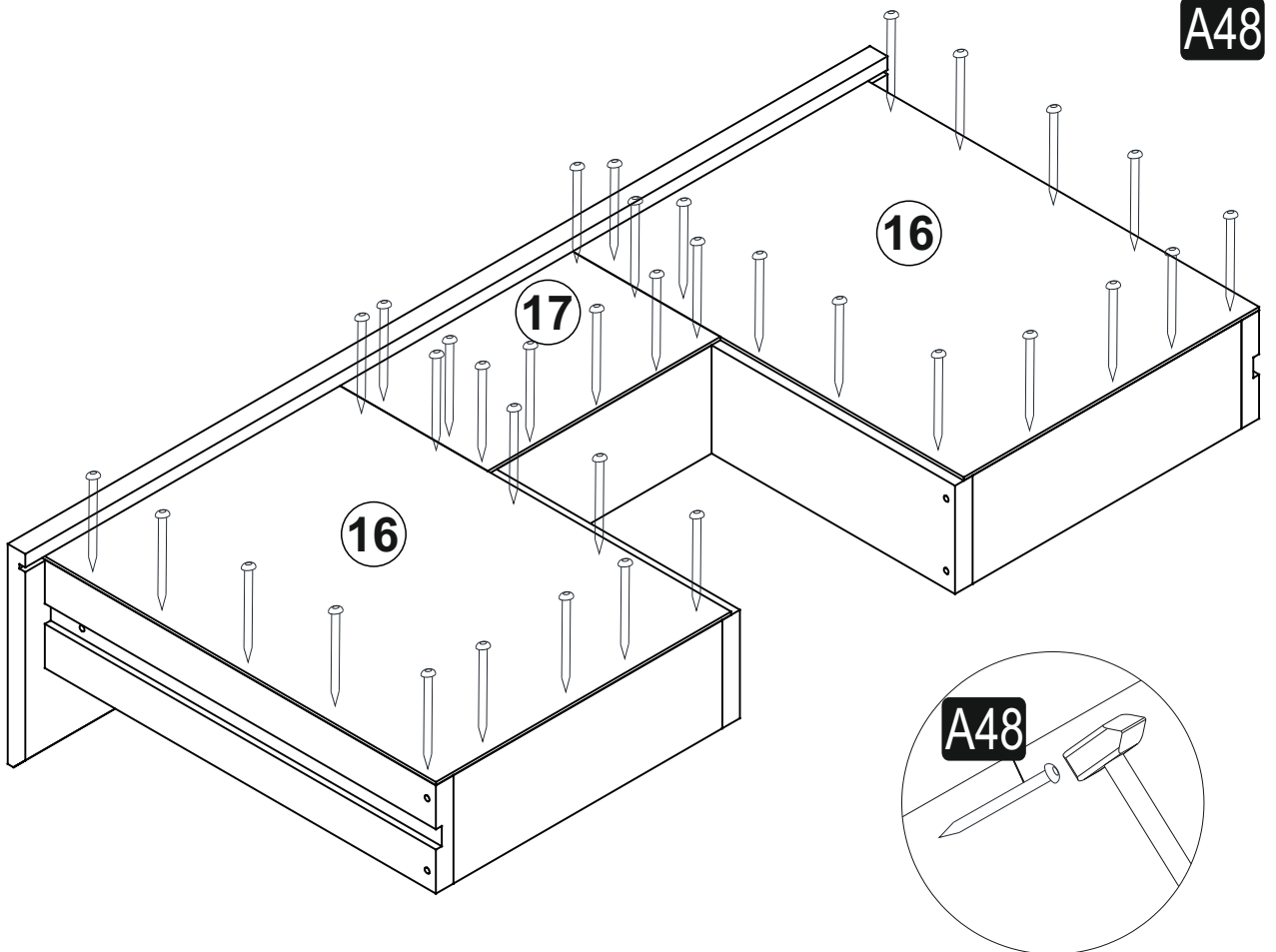
6



7



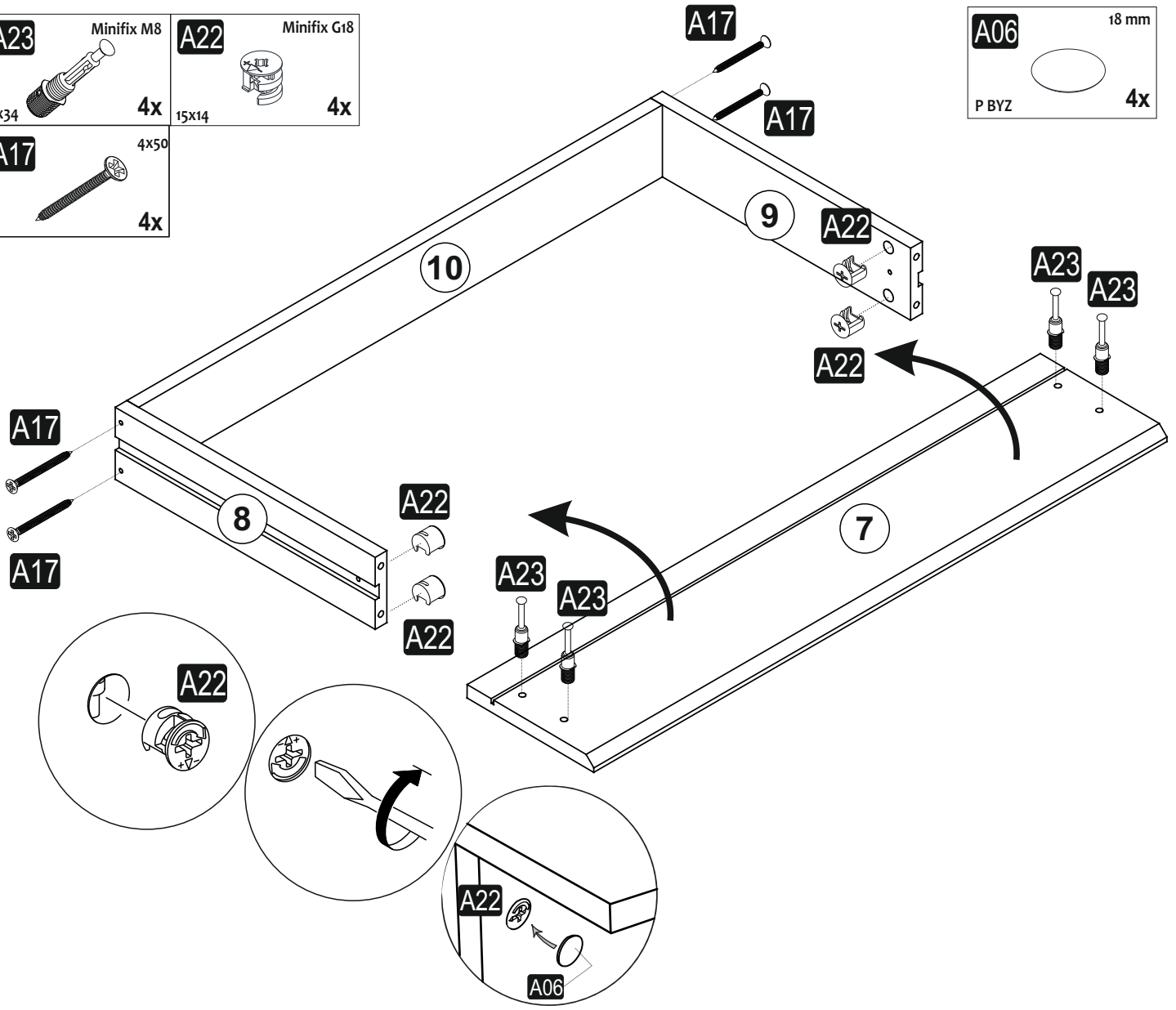
8



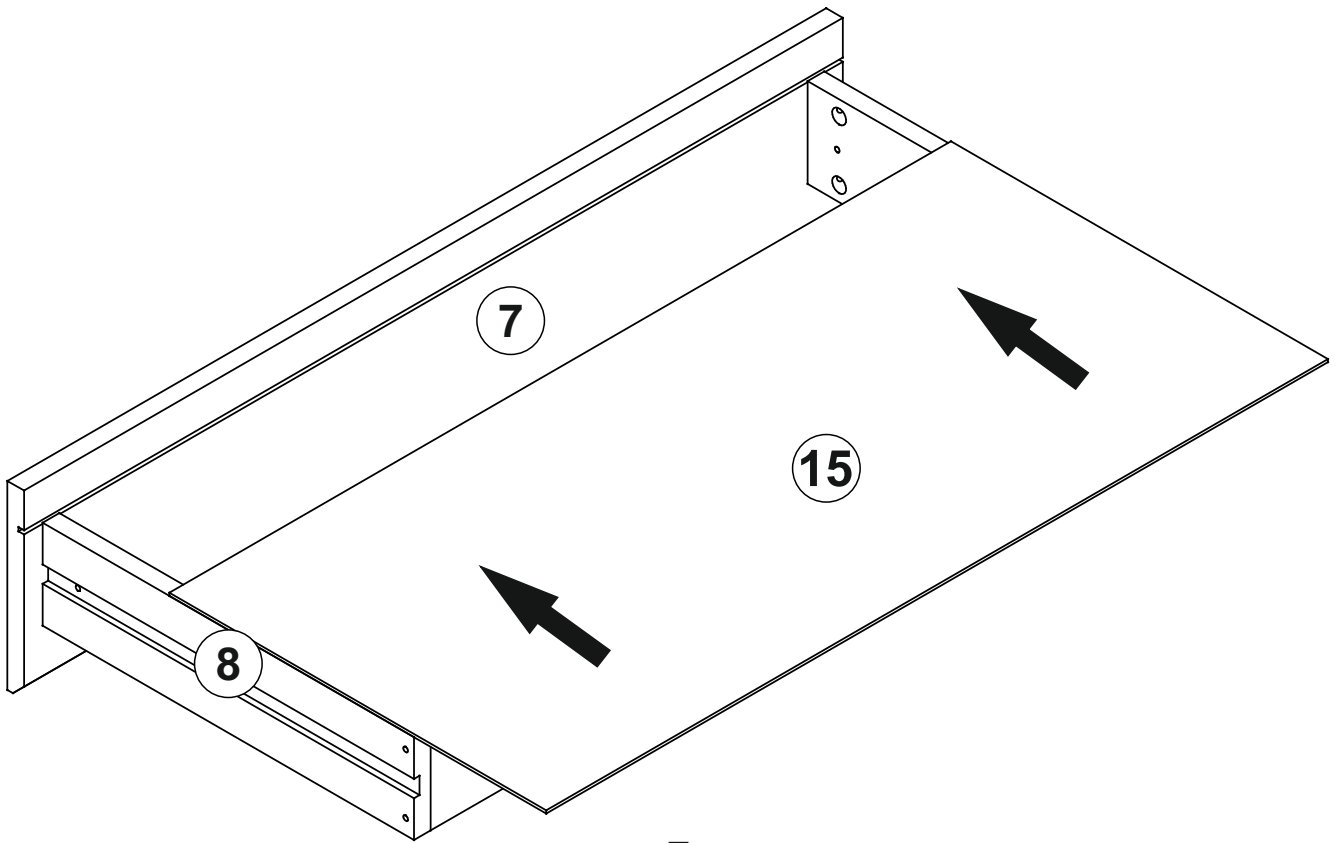
9

<b>A23</b> Minifix M8 8x34 4x	<b>A22</b> Minifix G18 15x14 4x
<b>A17</b> 4x50 4x	

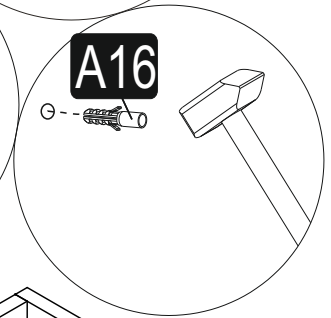
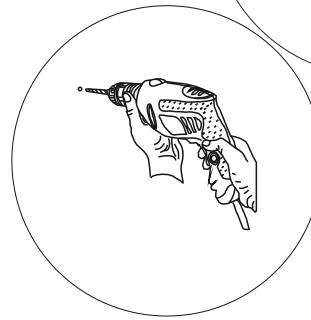
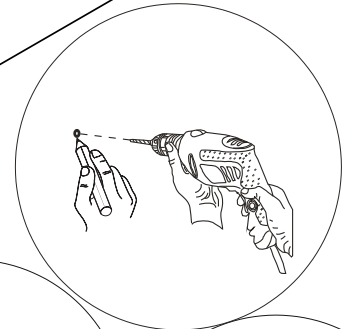
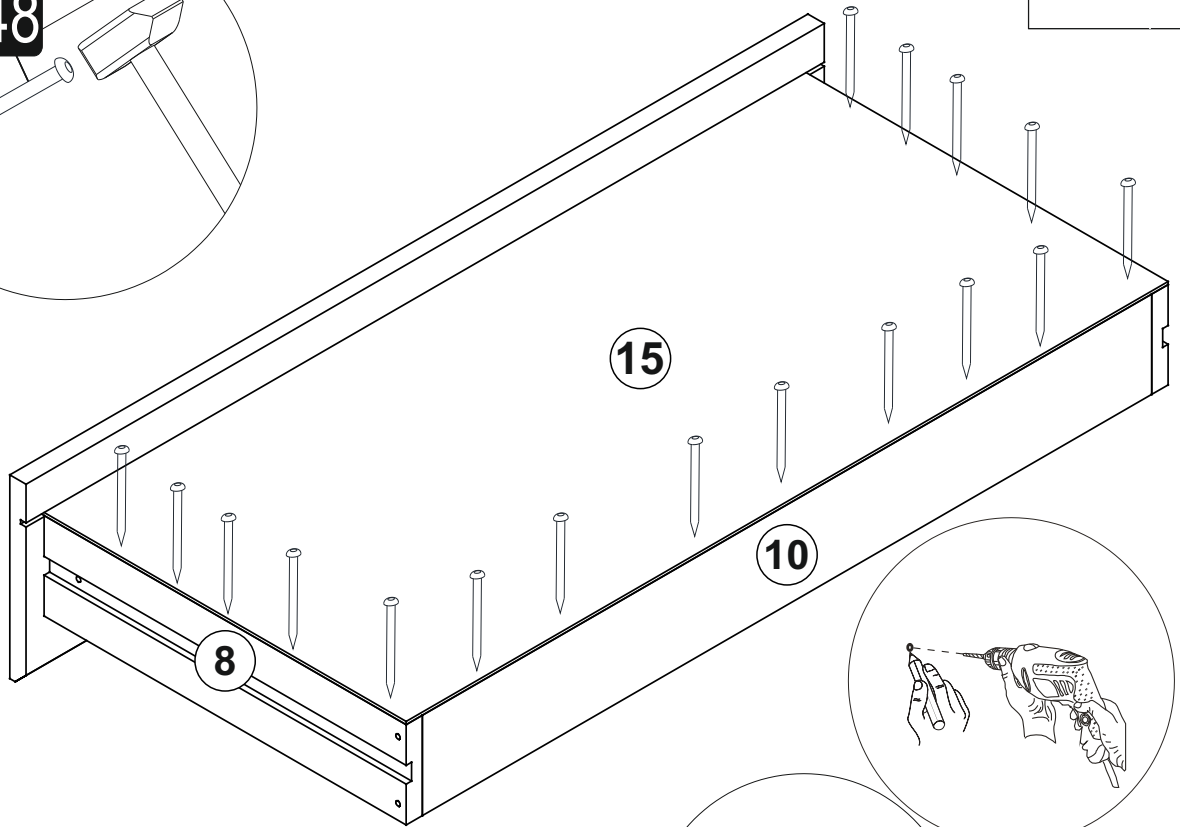
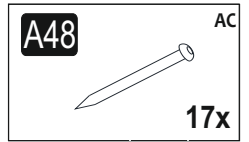
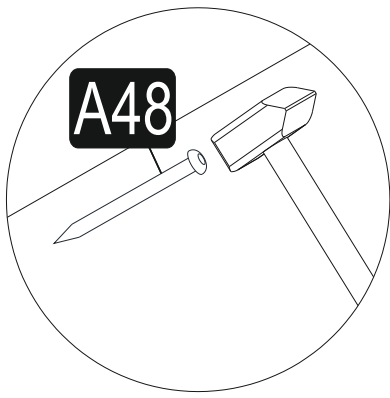
<b>A06</b> 18 mm P BYZ 4x
------------------------------------



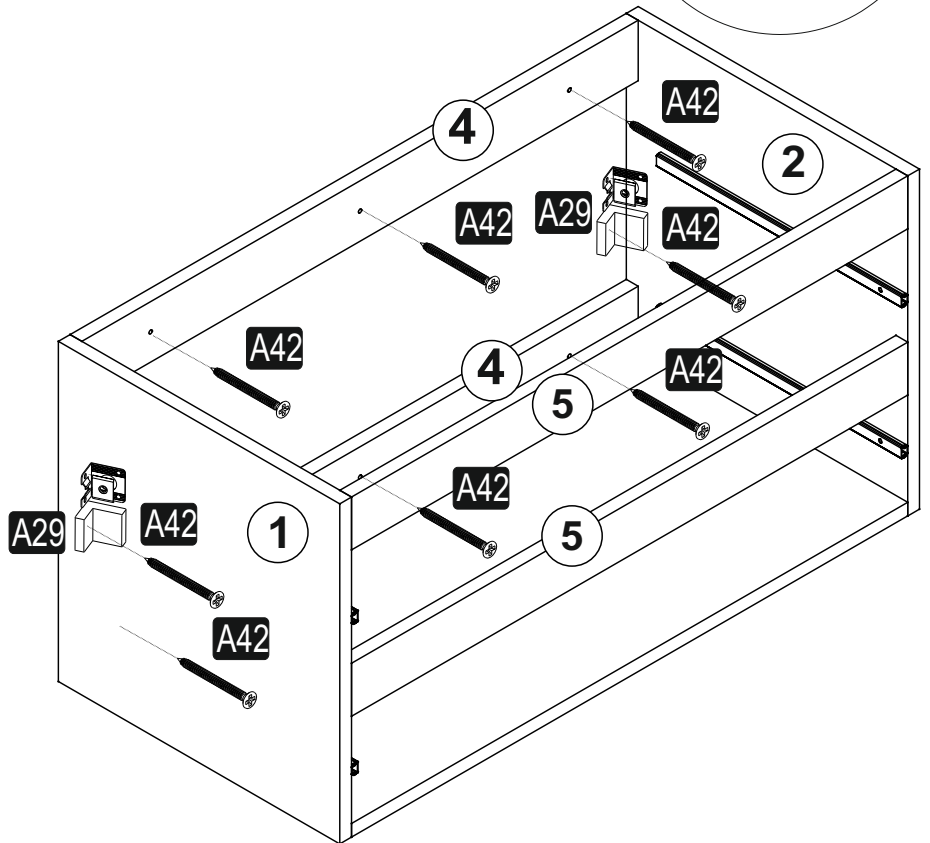
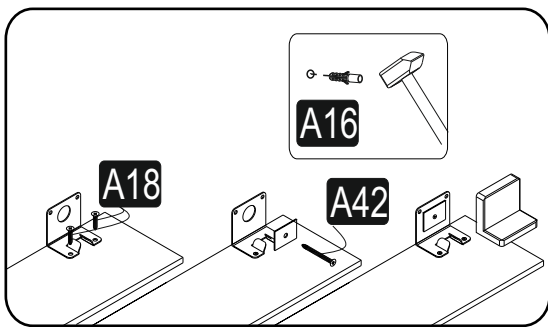
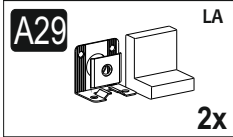
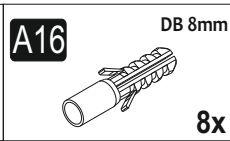
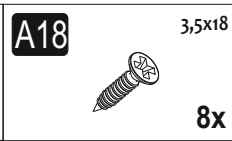
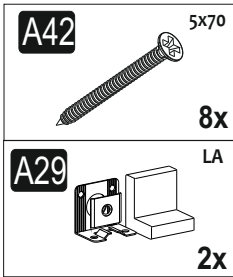
10



# 11

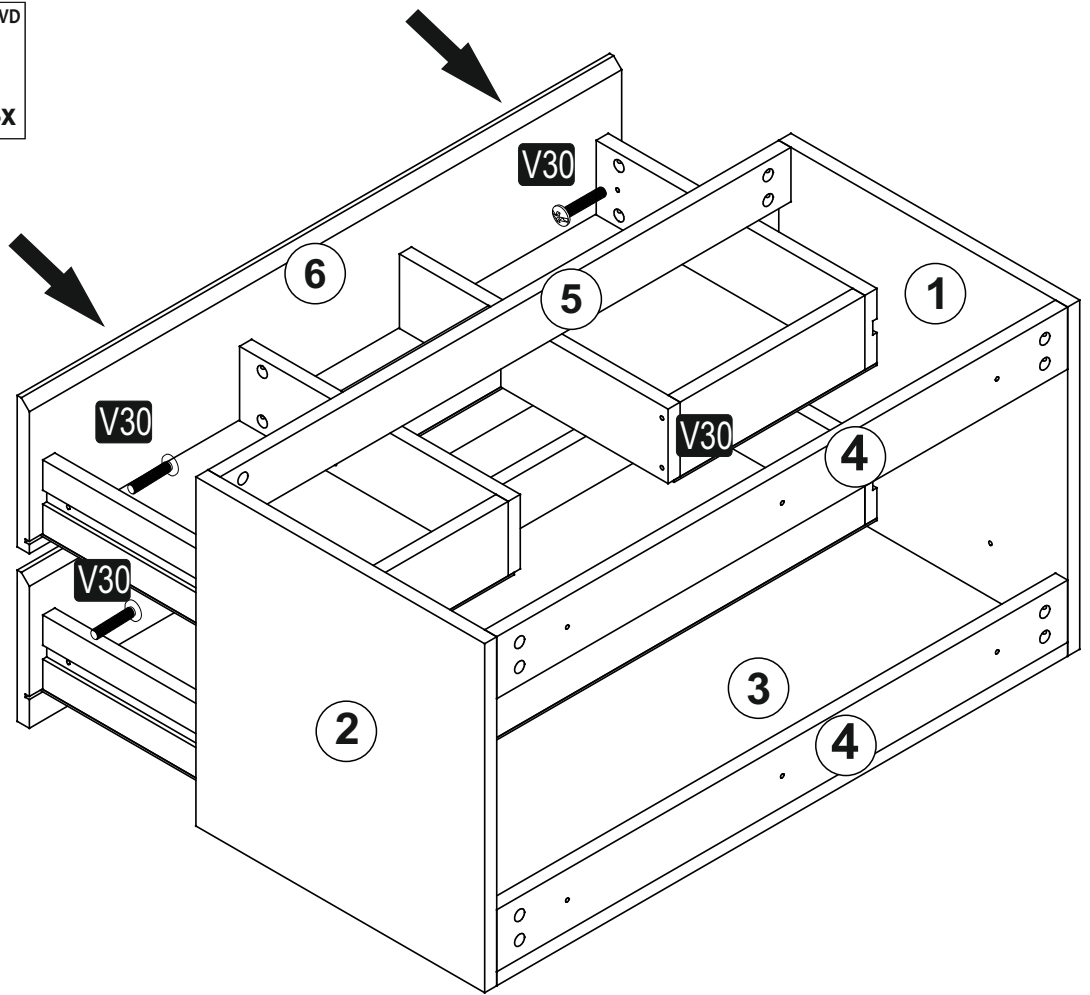
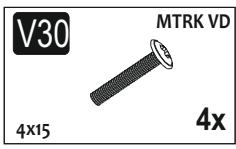


# 12





# 13



# 14

