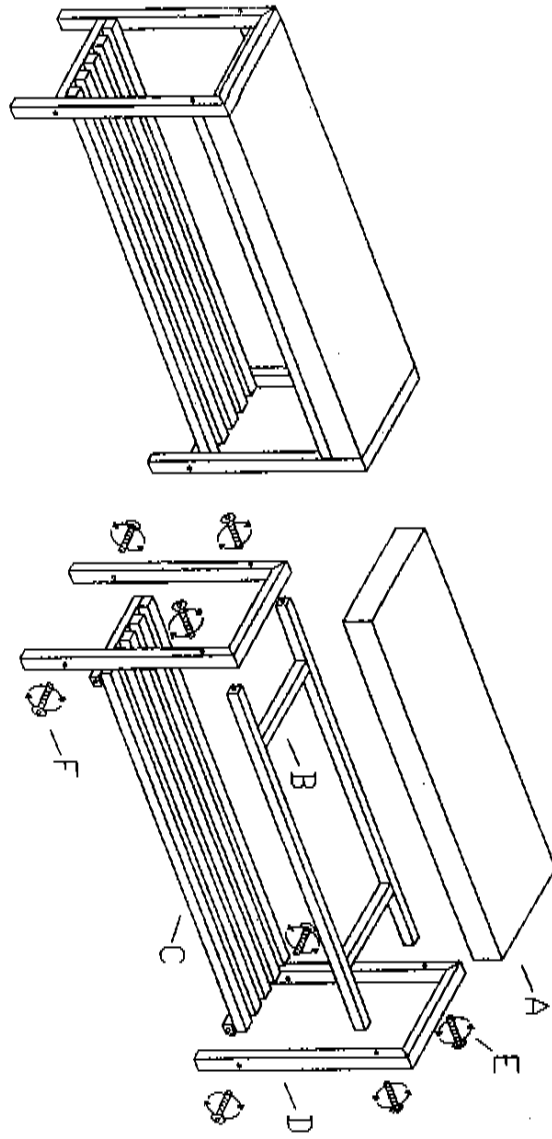


MOD. PNO



 CX1	 AX1	 DX2	 BX1
GX1	FX4	EX4	