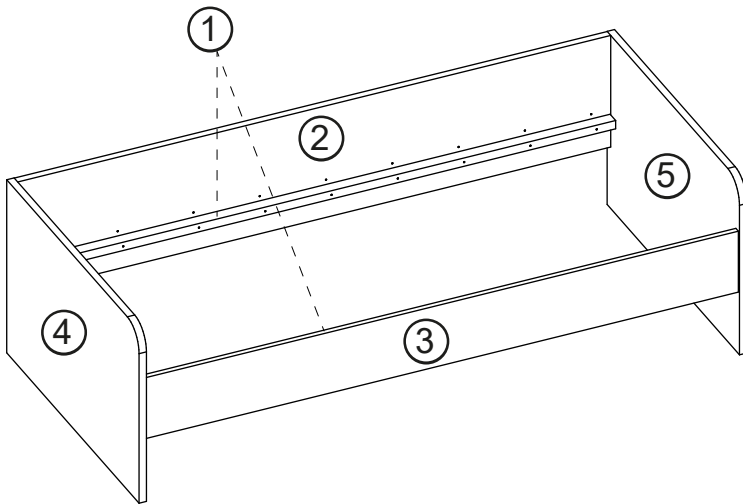
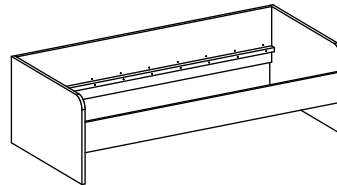
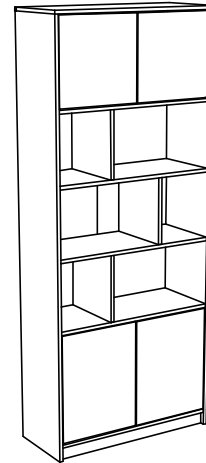
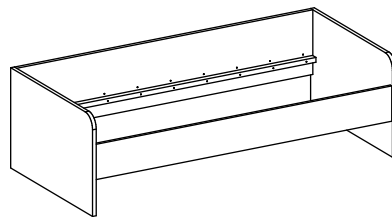
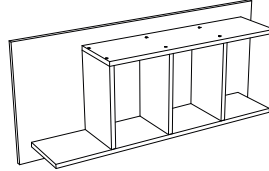
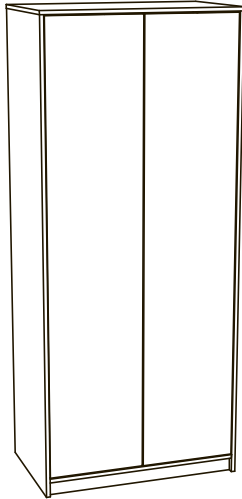
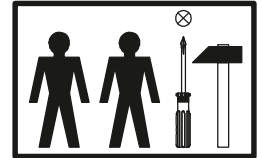
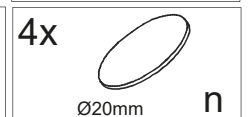
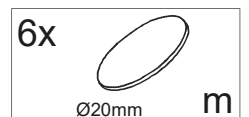
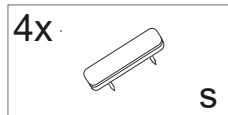
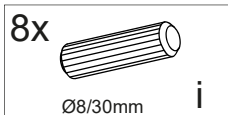


# KARLA 22-922-U2

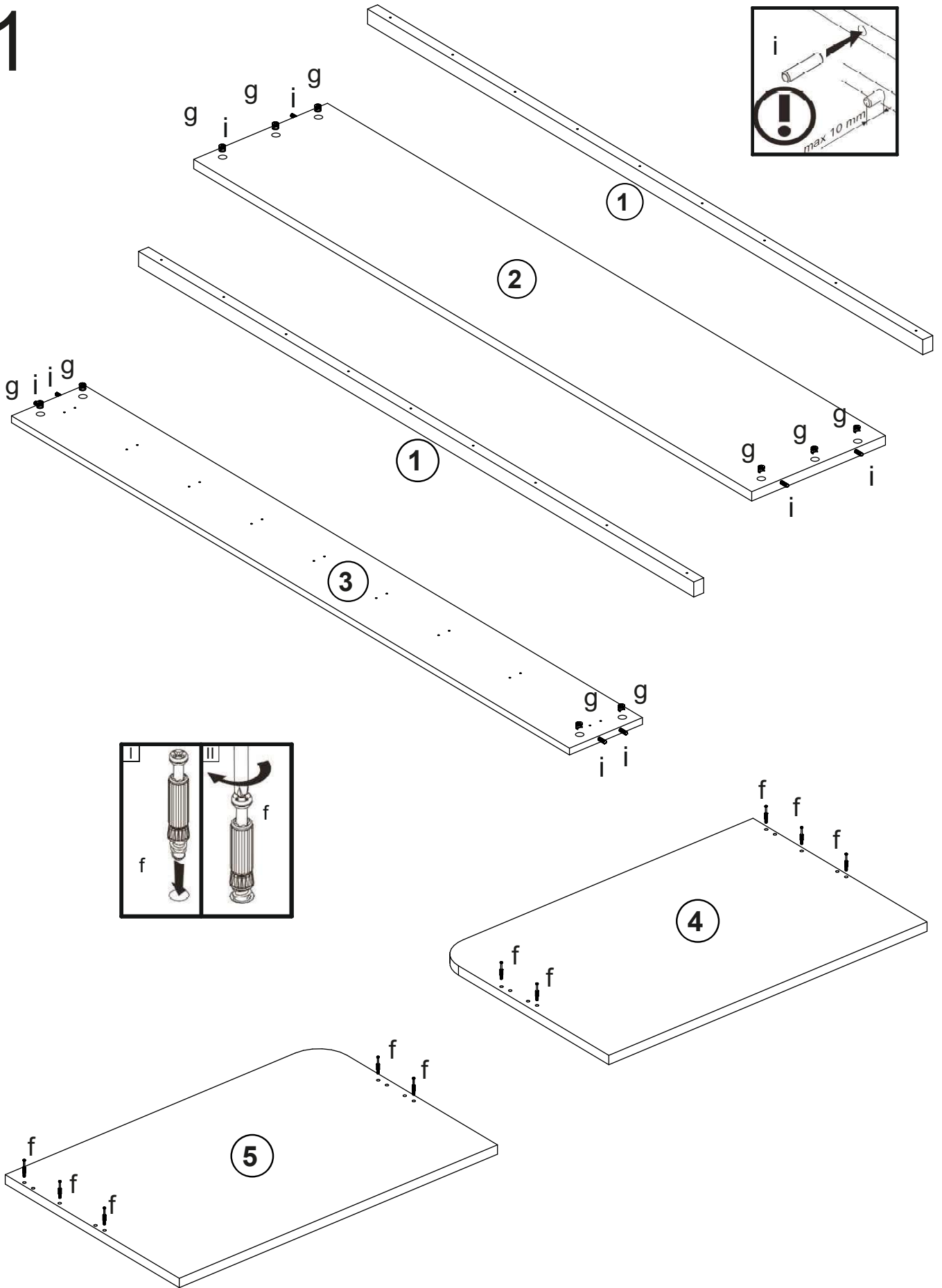
- (D)** Montageanleitung  
**(GB)** Assembly instructions  
**(ES)** Instrucciones de instalación  
**(FR)** Instructions de montage  
**(CZ)** Montážní návod  
**(PL)** Instrukcja montażu  
**(HU)** Összeszerelési útmutató  
**(SK)** Montážny návod  
**(RU)** Инструкции по монтажу  
**(IT)** Istruzioni di montaggio  
**(RO)** Instrucțiuni de asamblare  
**(TR)** Montaj talimatı  
**(NL)** Handleiding voor de montage  
**(UA)** Інструкція монтажу



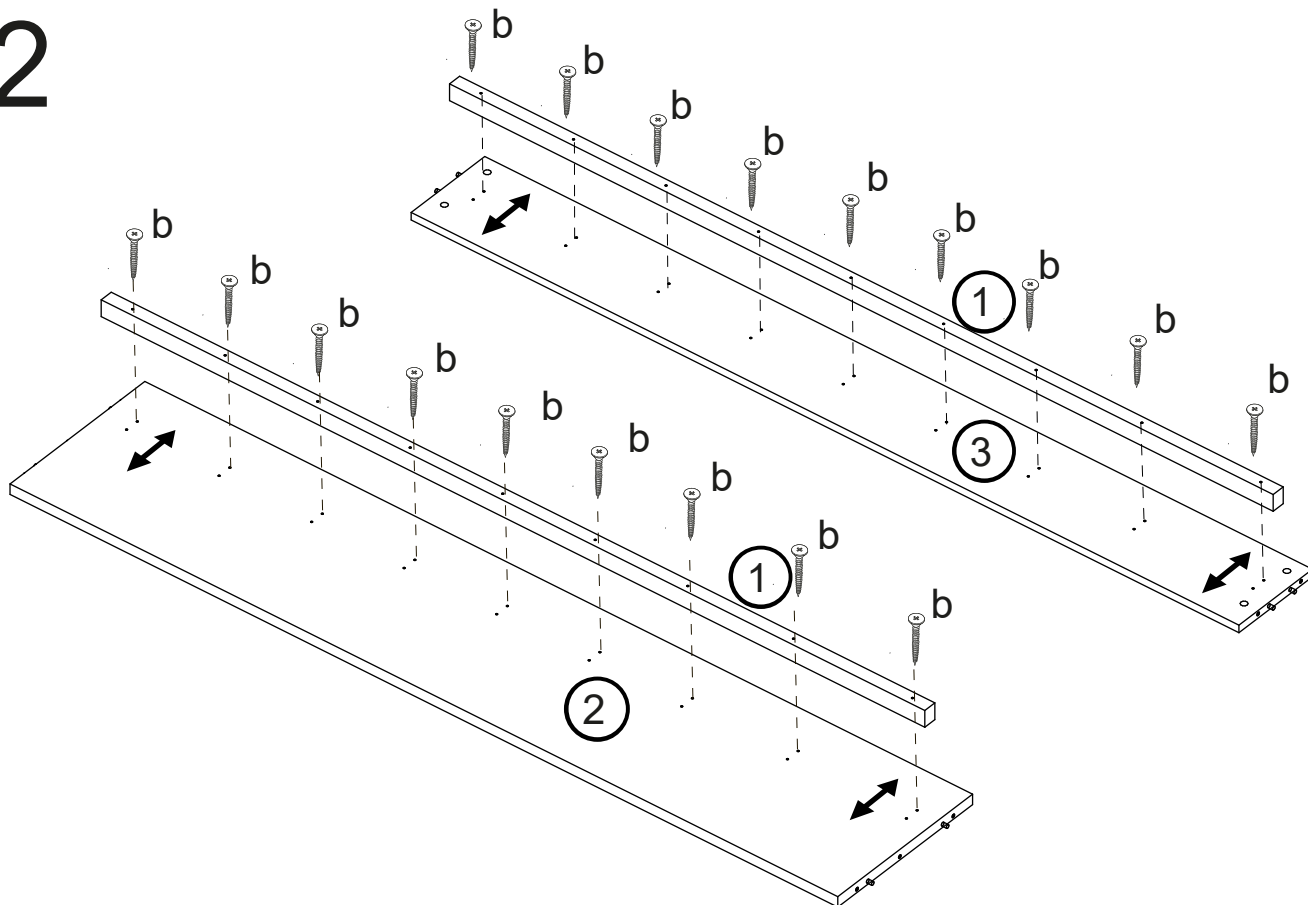
A	(mm)	Colli
1	1994x40x30	2/2
2	2004x403x25	2/2
3	2004x220x18	2/2
4	959x625x25	1/2
5	959x625x25	1/2



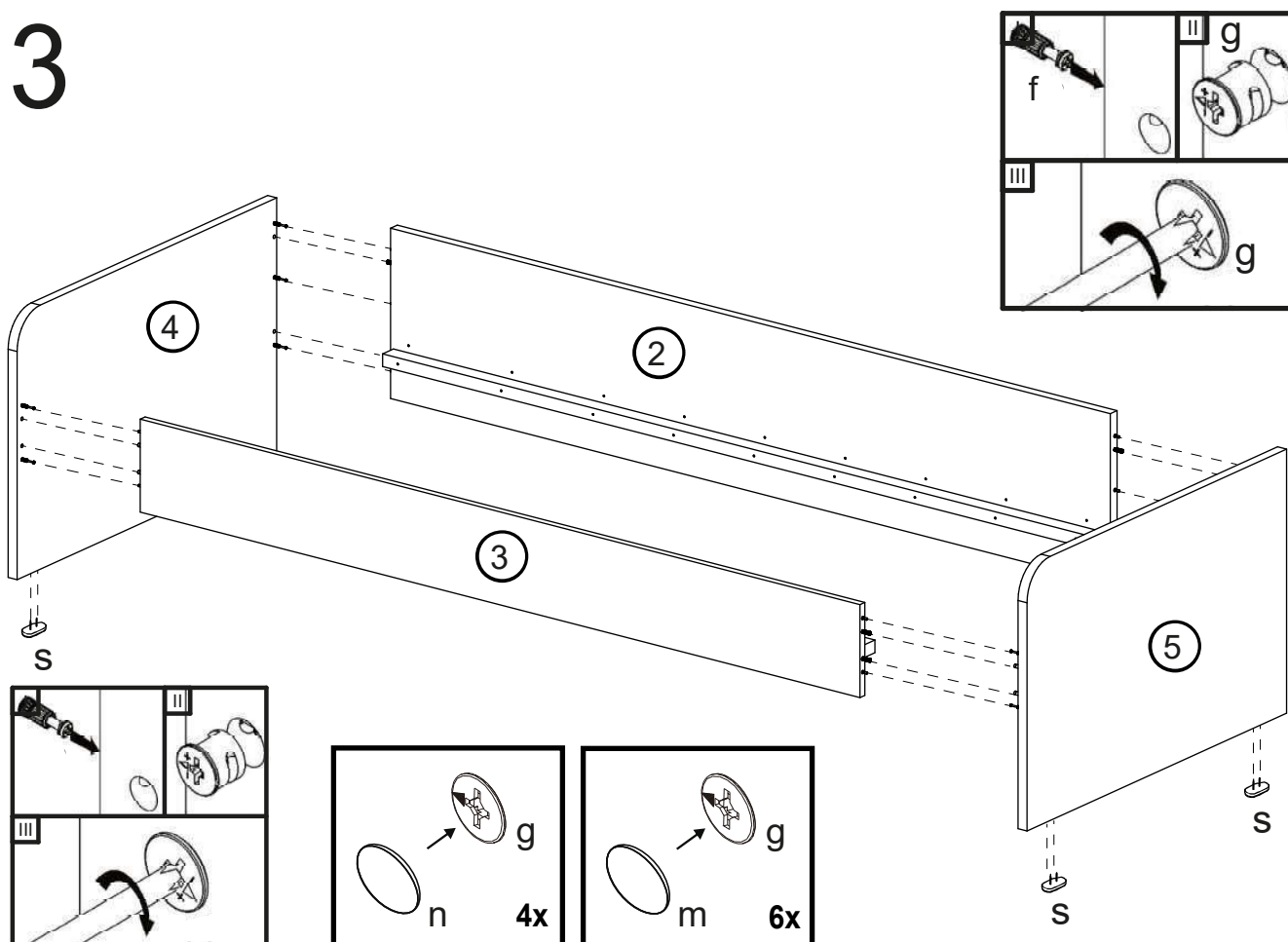
# 1

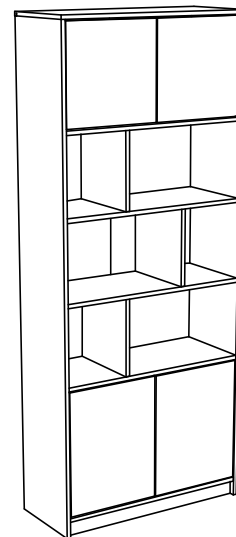
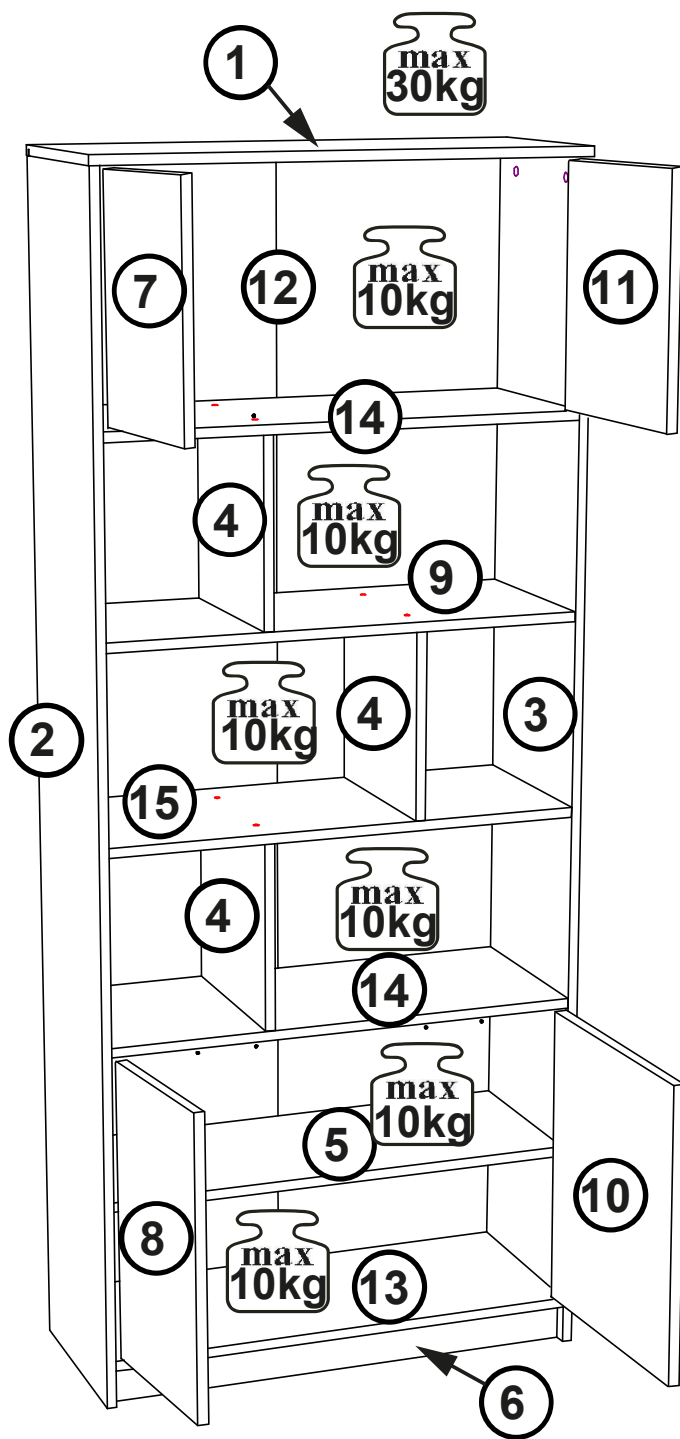


# 2

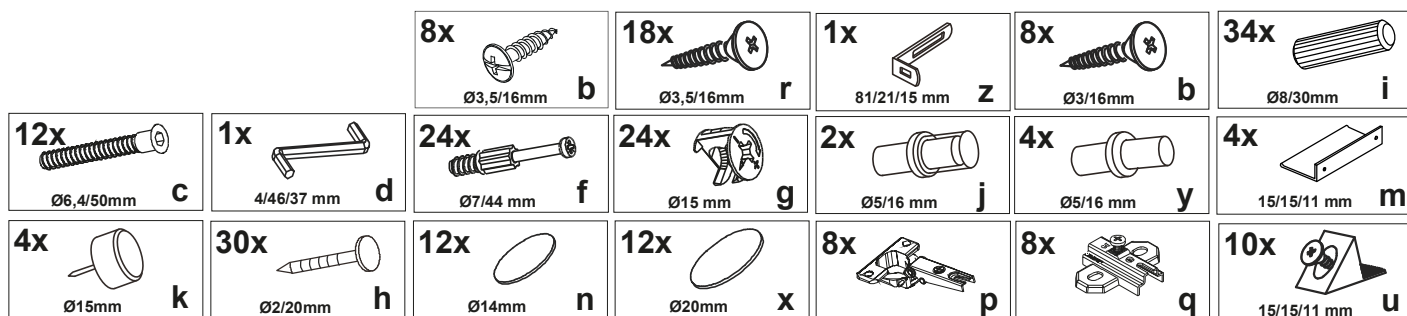


# 3

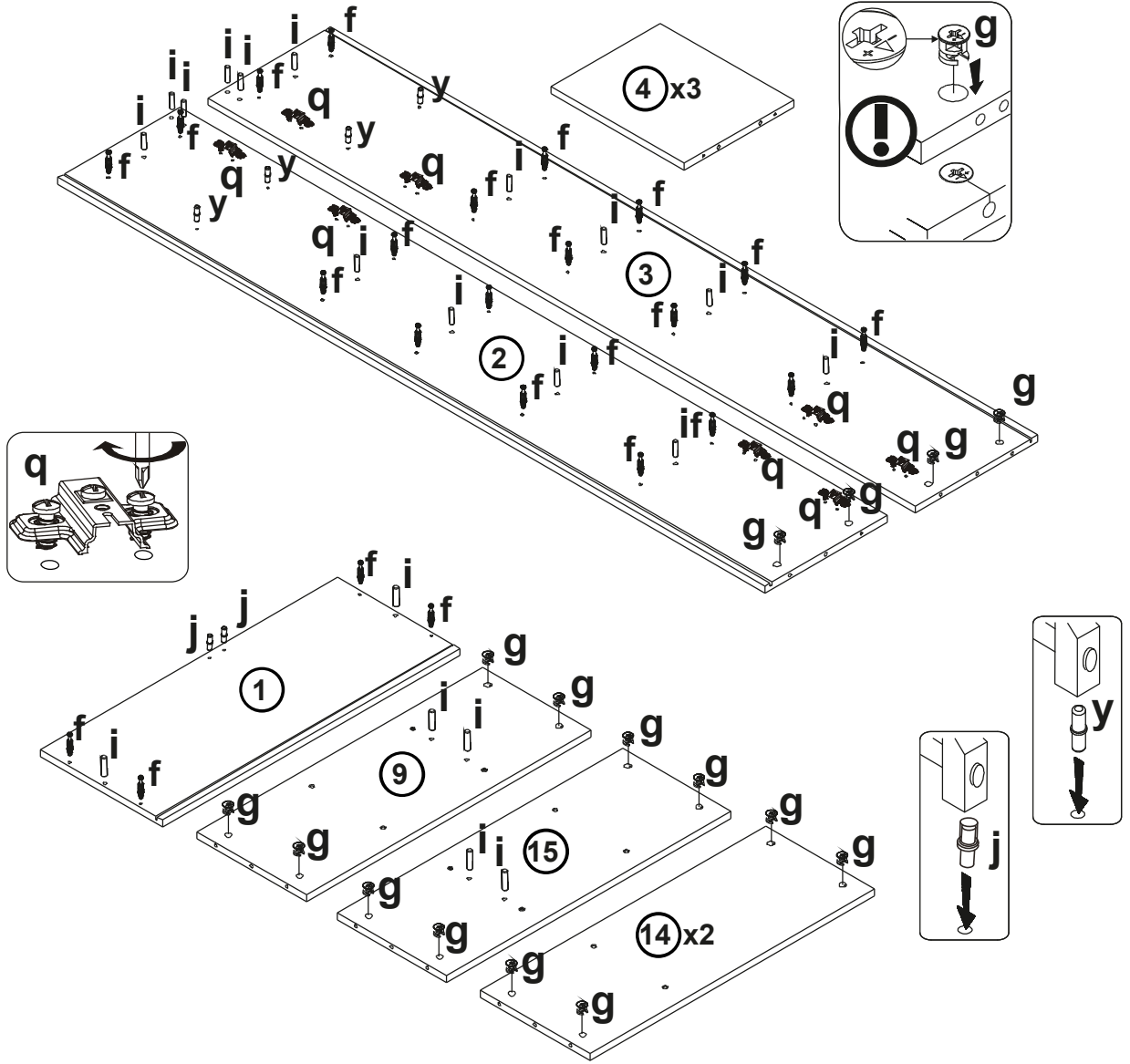




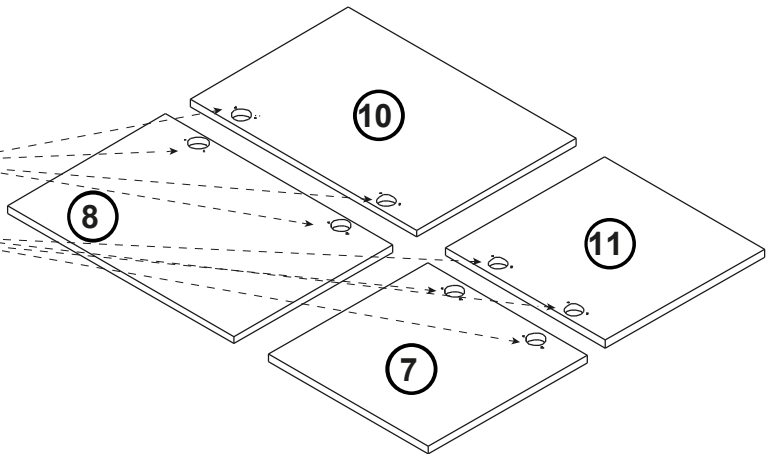
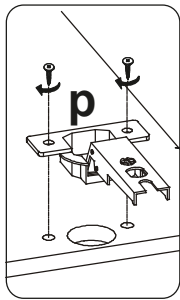
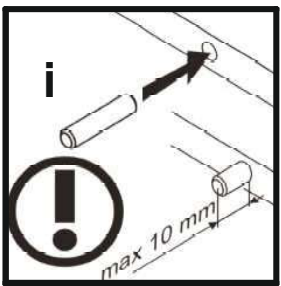
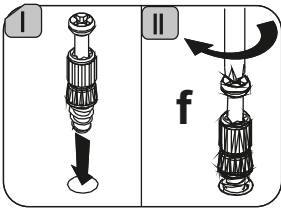
1	800x336x16	2/6
2	1924x335x16	2/6
3	1924x335x16	2/6
4	300x319x16	2/6;3/6
5	765x303x16	2/6
6	766x60x16	2/6
7	378x378x16	2/6
8	490x378x16	2/6
9	766x320x16	3/6
10	490x378x16	2/6
11	378x378x16	2/6
12	1870x390x2,5	2/6
13	766x320x16	3/6
14	766x320x16	3/6
15	766x320x16	3/6



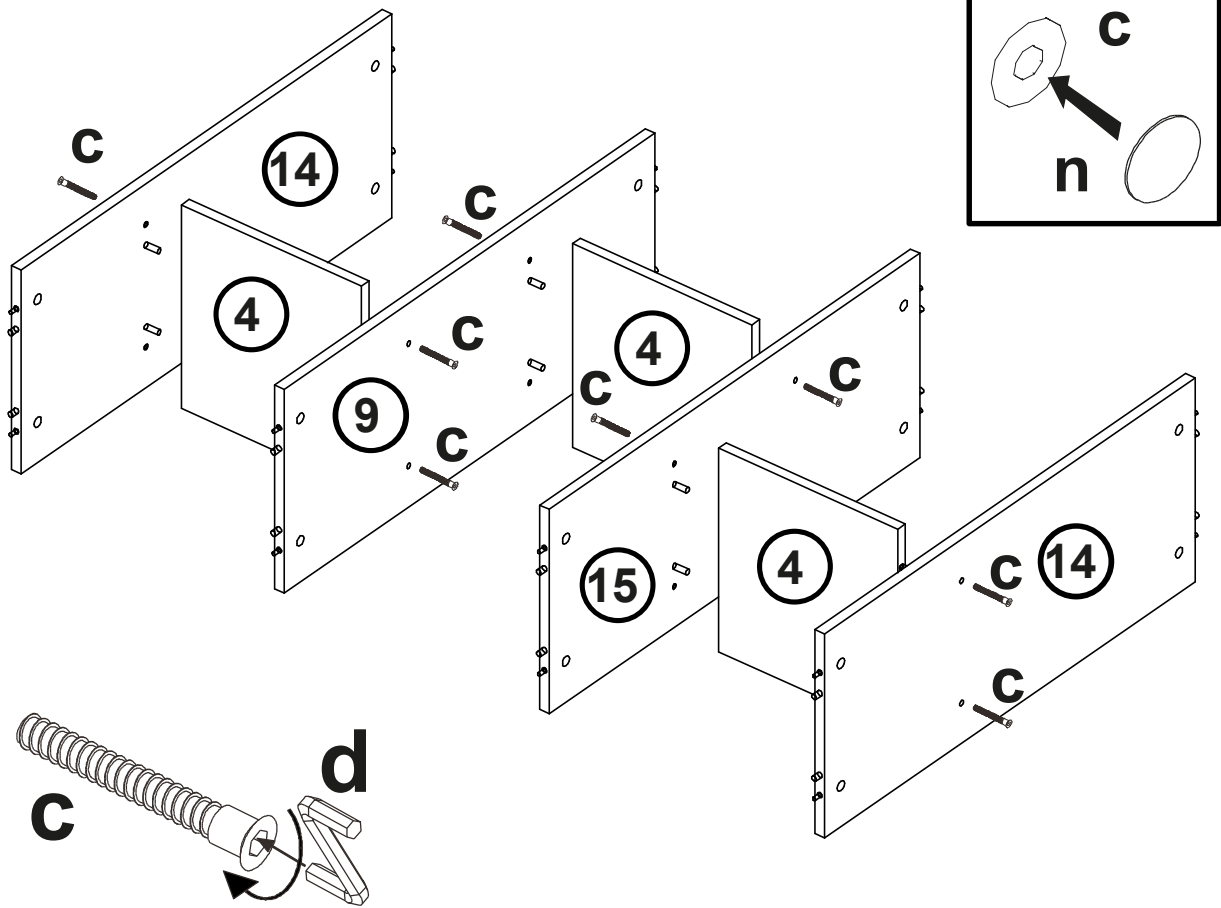
# 1



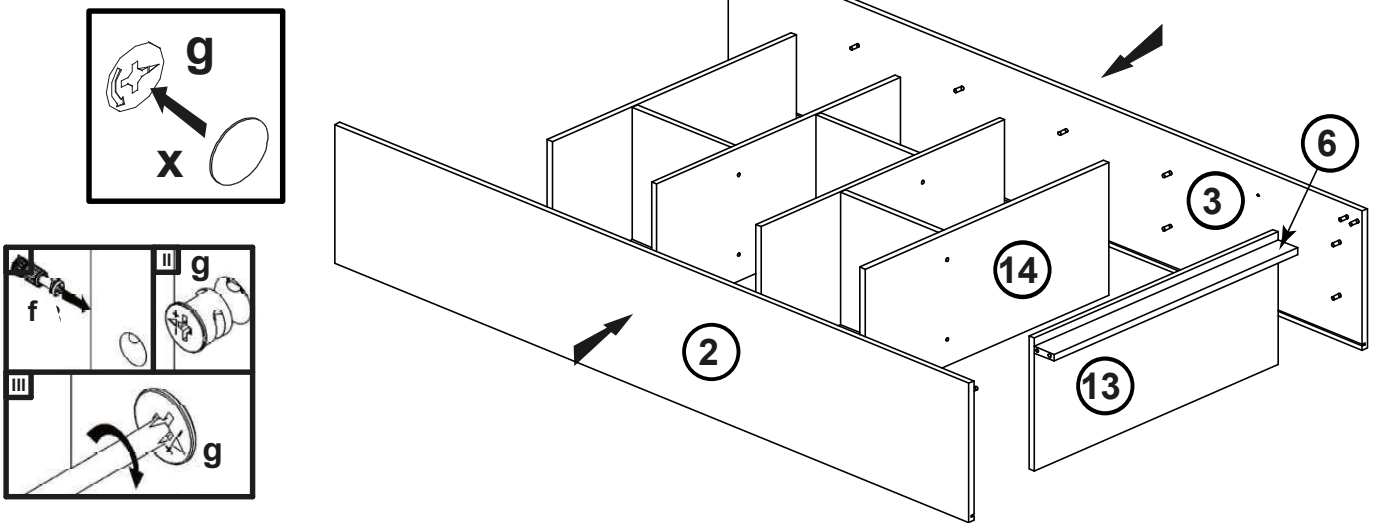
# 2



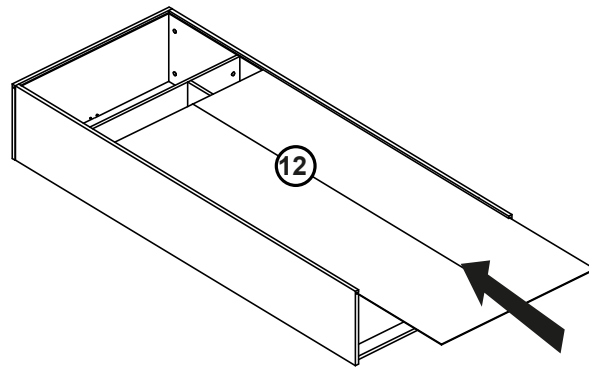
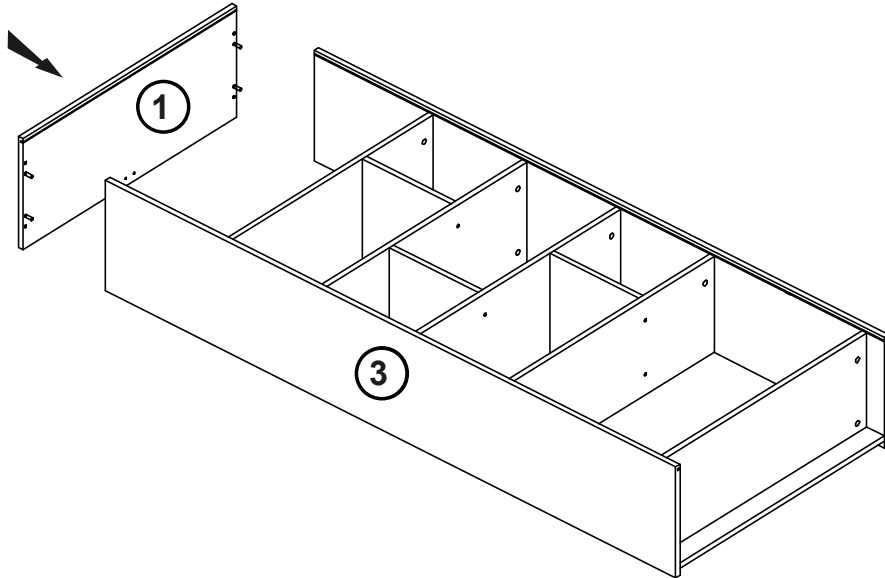
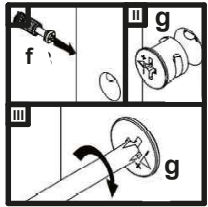
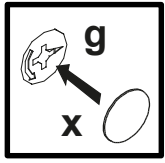
# 3



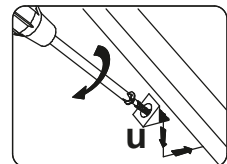
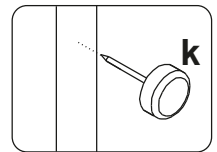
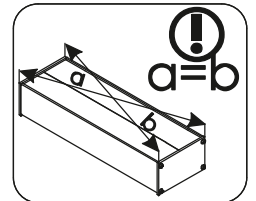
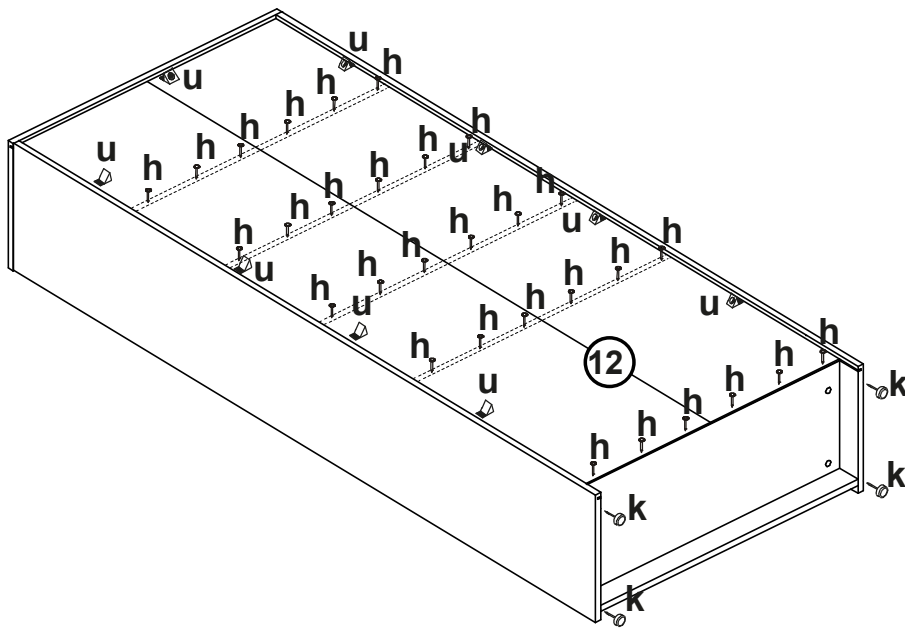
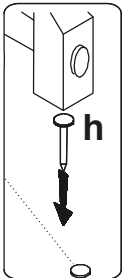
# 4



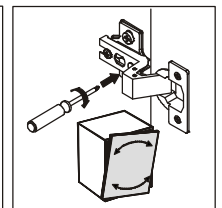
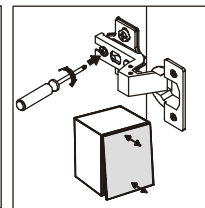
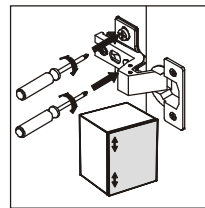
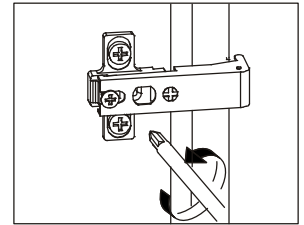
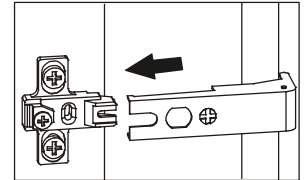
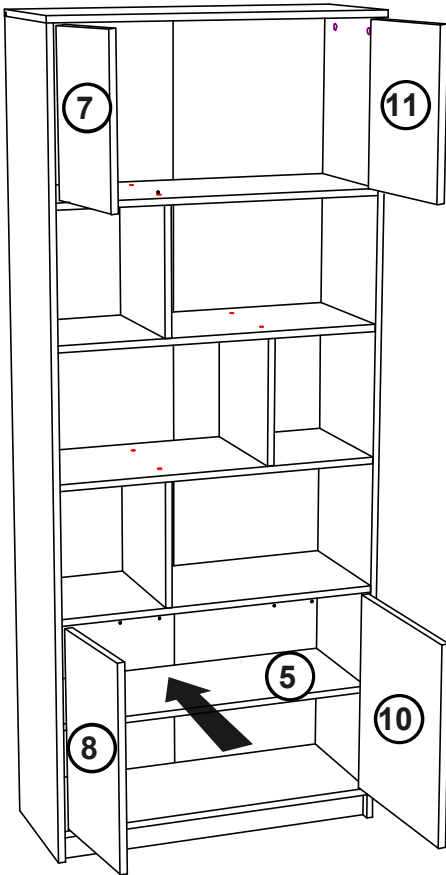
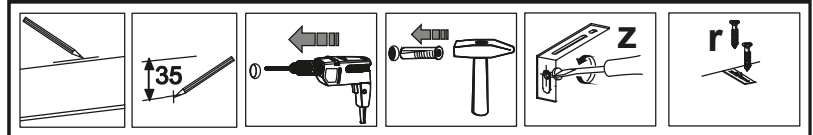
# 5/6



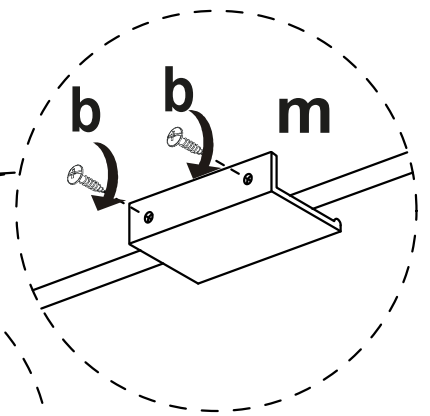
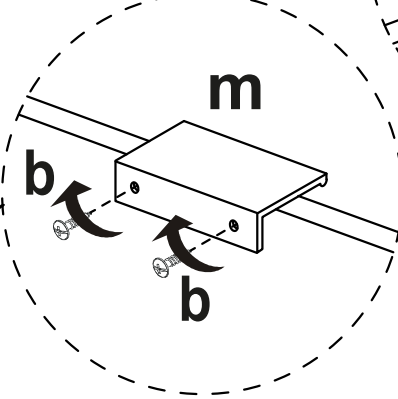
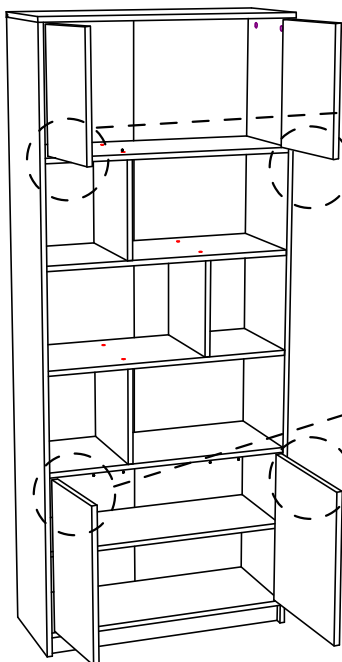
# 7



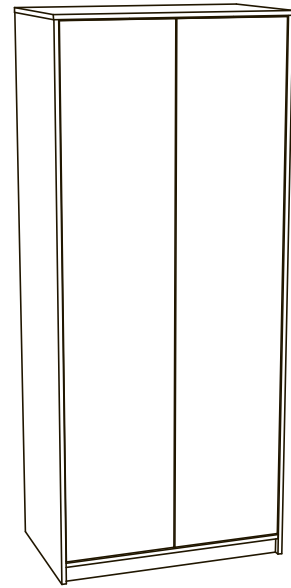
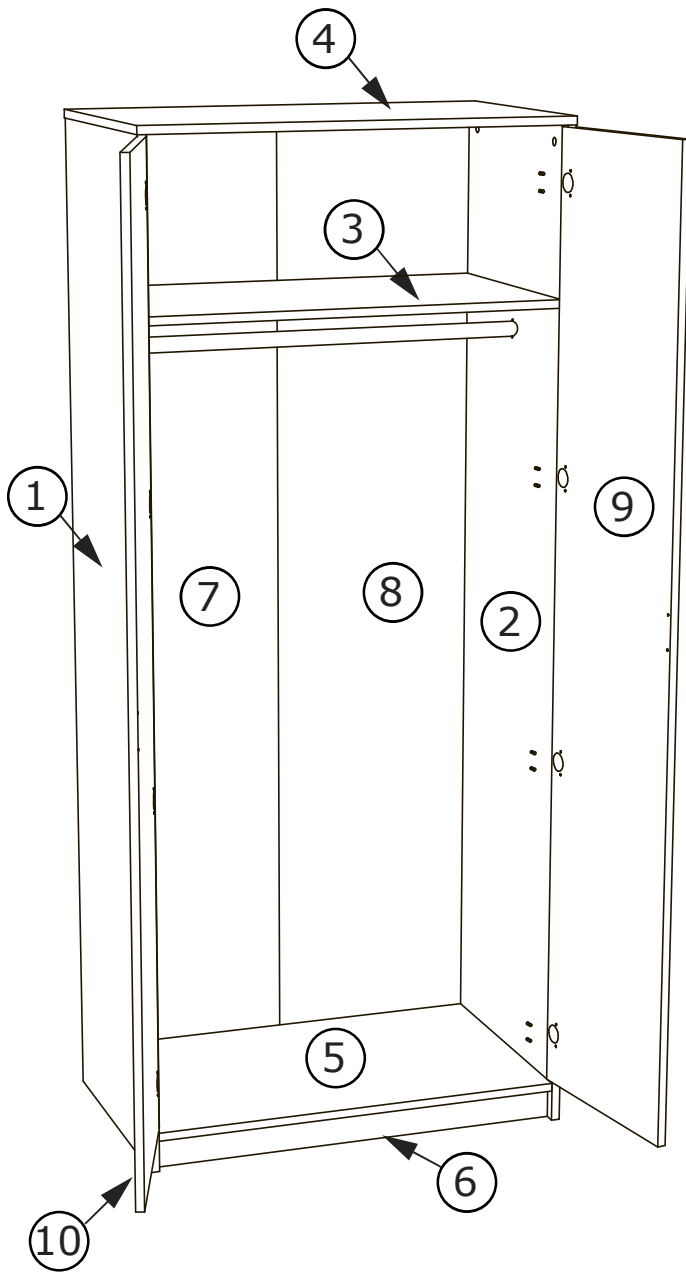
# 8



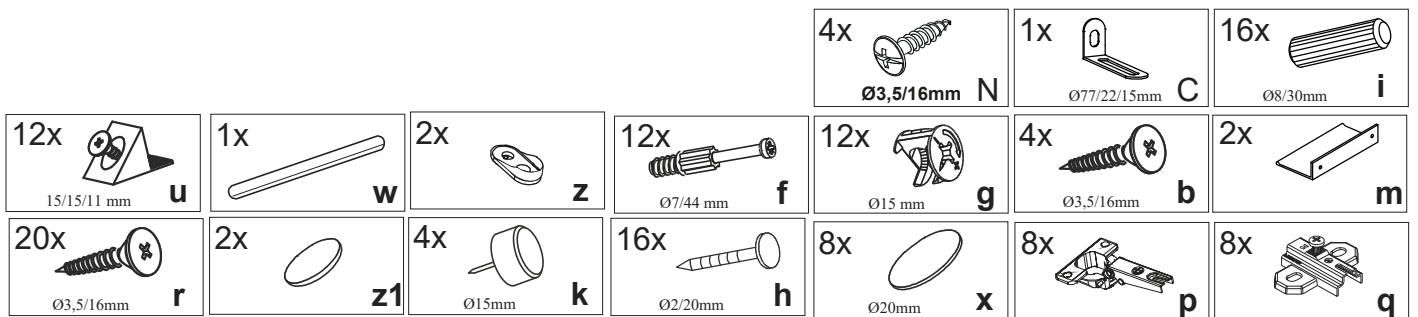
# 9



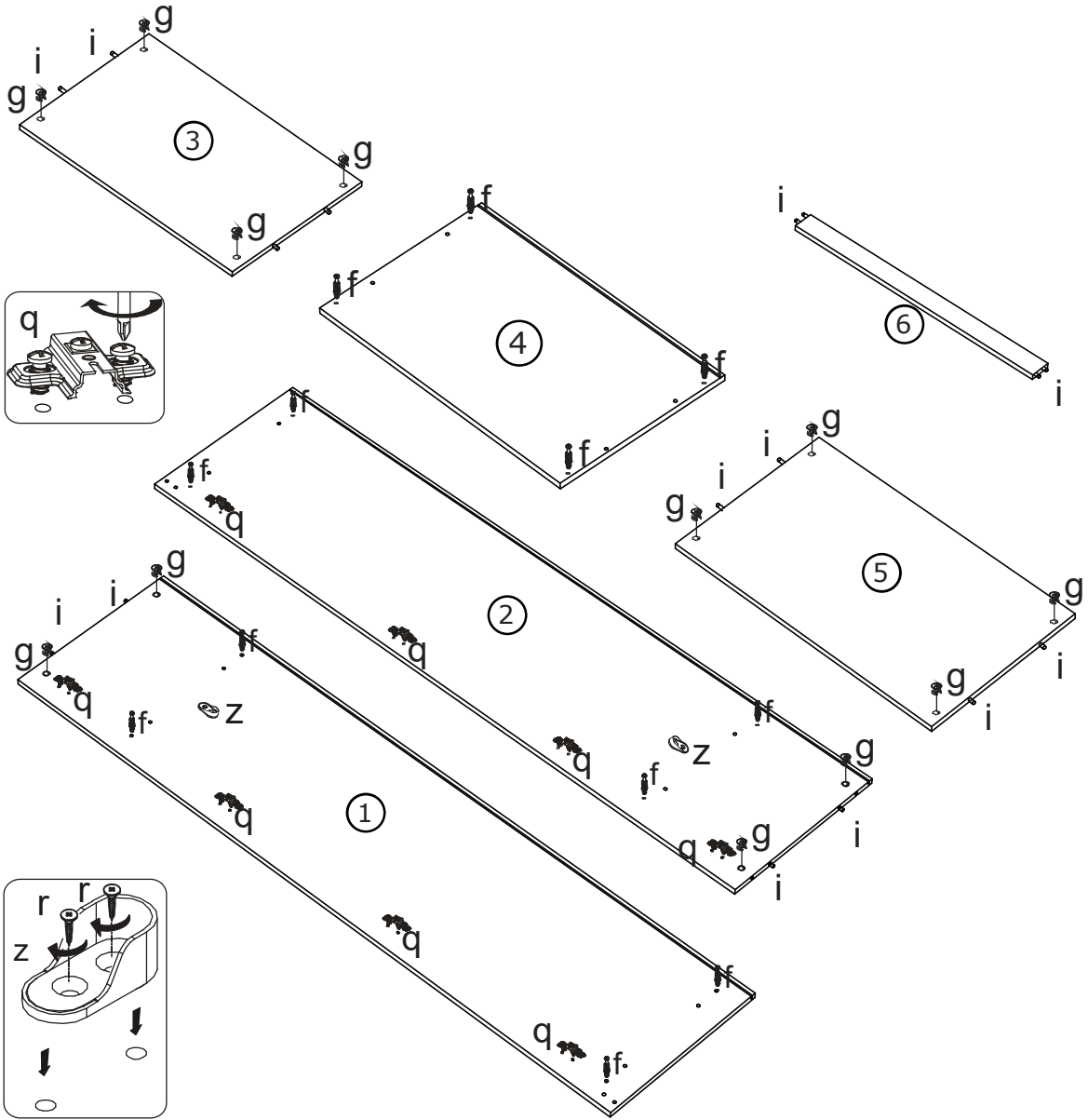




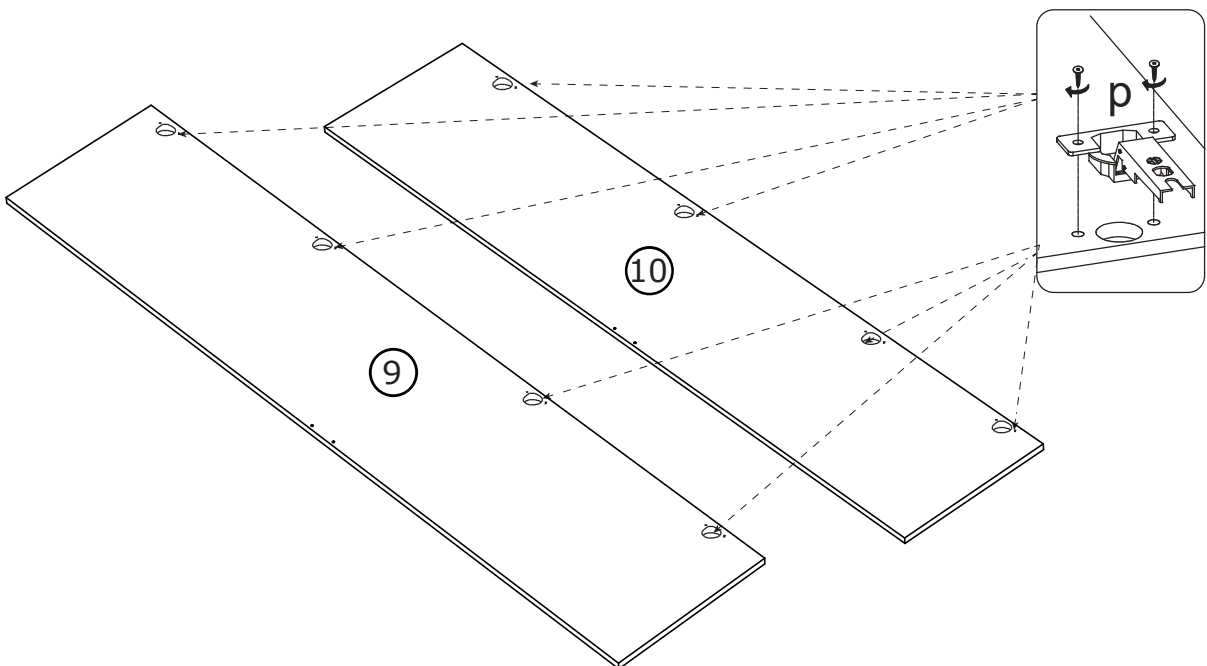
1	1924x505x16	4/6
2	1924x505x16	4/6
3	796x473x16	4/6
4	830x506x16	4/6
5	796x490x16	4/6
6	796x60x16	4/6
7	1870x405x2,5	4/6
8	1870x405x2,5	4/6
9	1840x393x16	5/6
10	1840x393x16	5/6



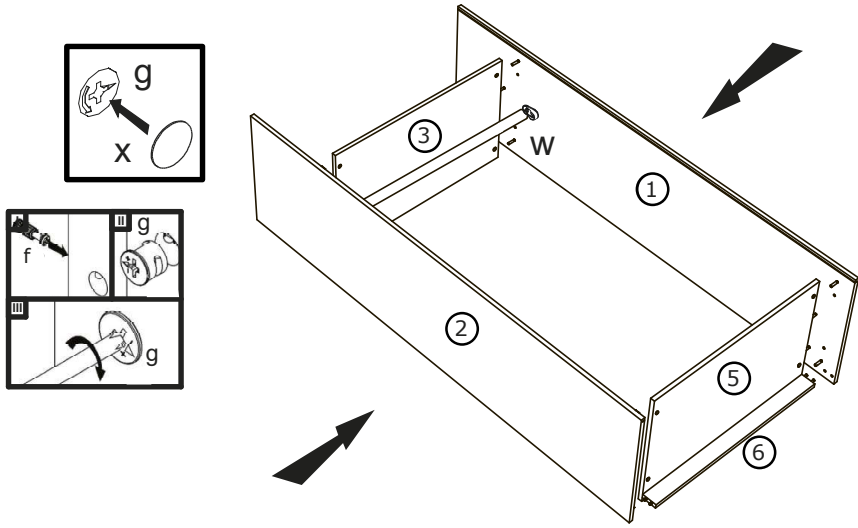
# 1



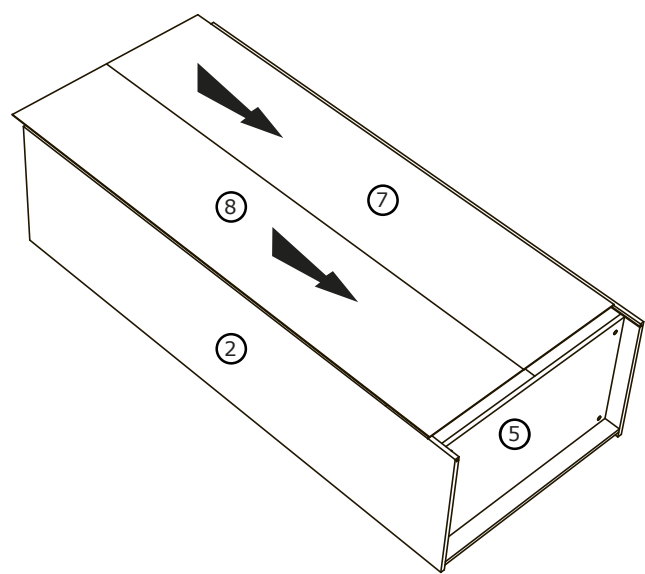
# 2



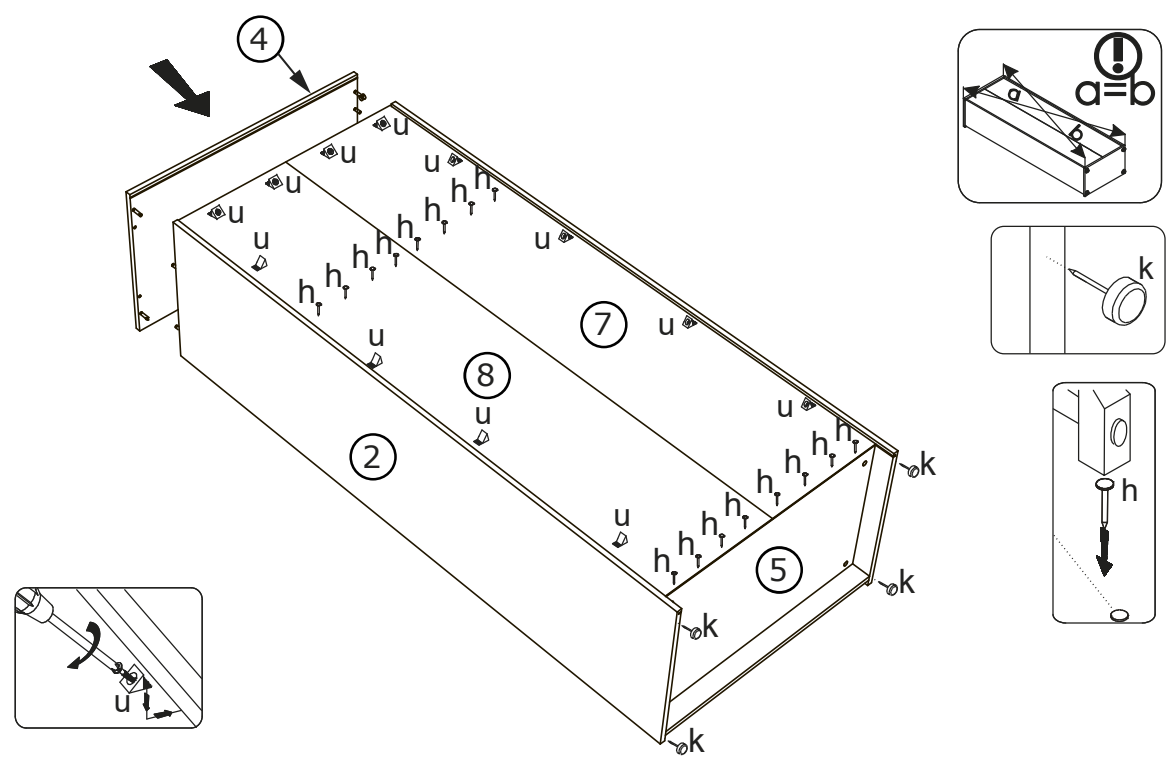
3



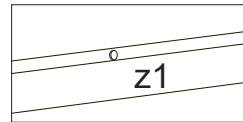
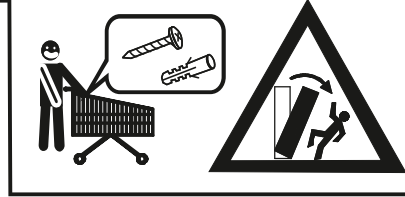
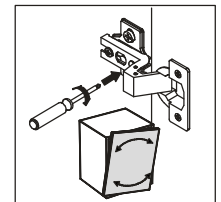
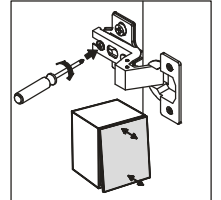
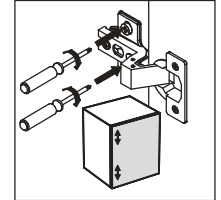
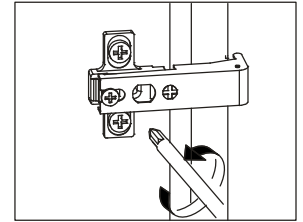
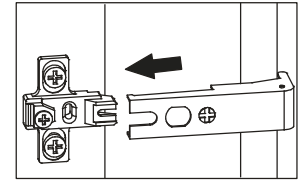
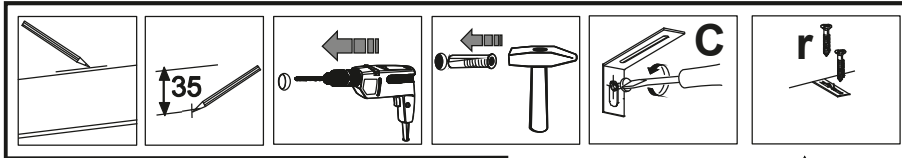
4



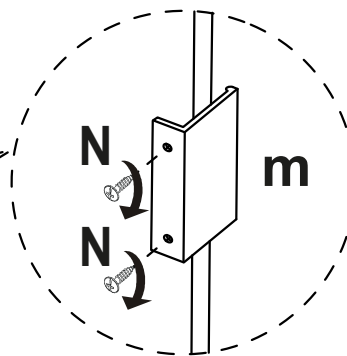
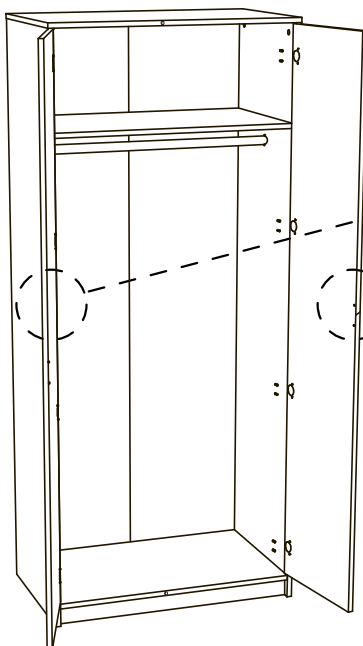
5



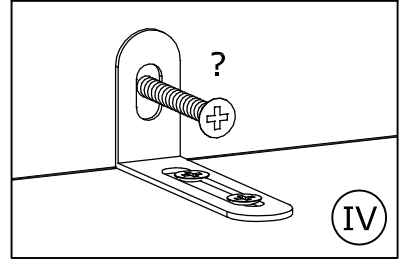
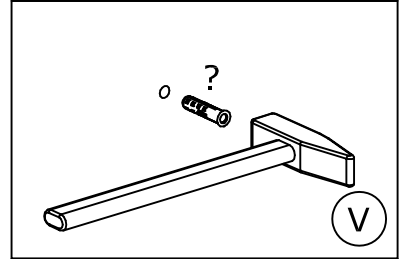
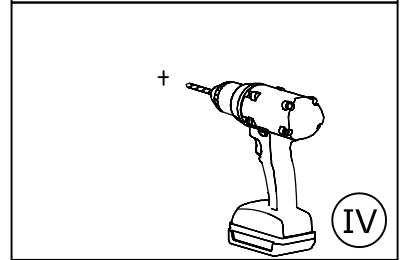
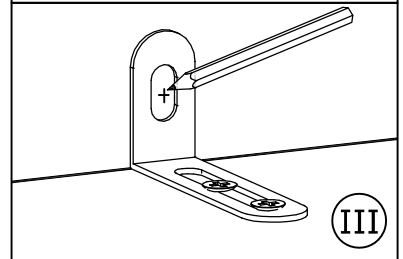
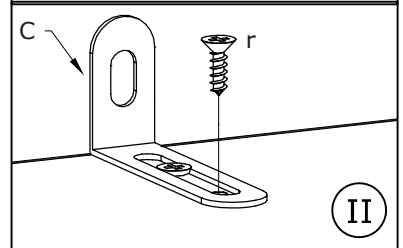
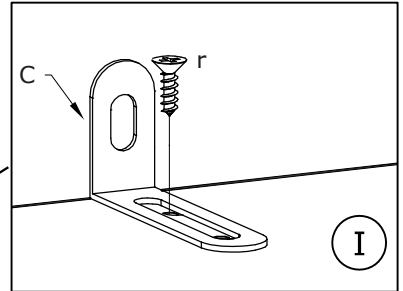
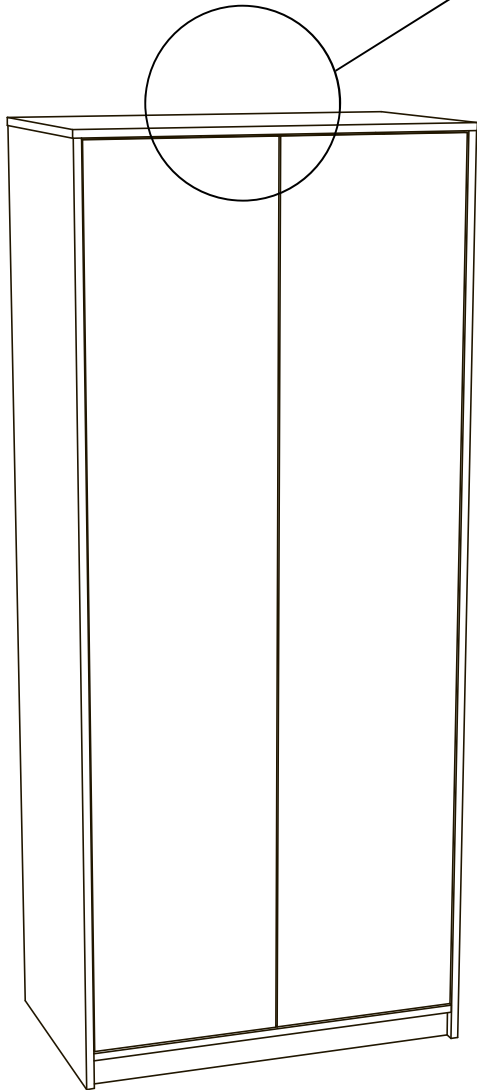
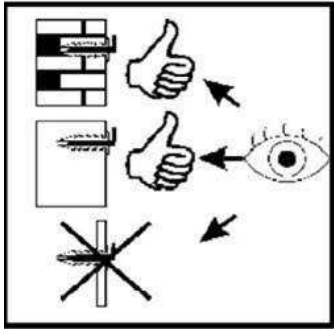
# 6

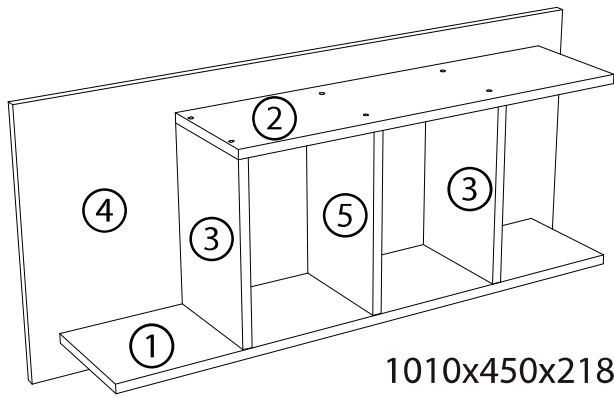


# 7



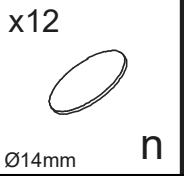
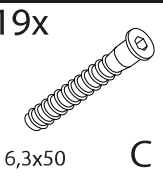
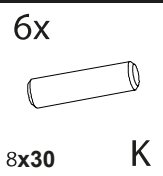
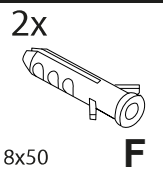
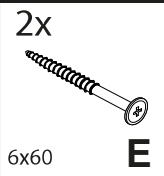
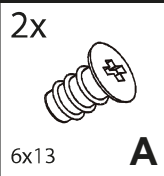
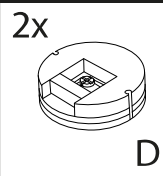
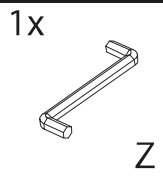
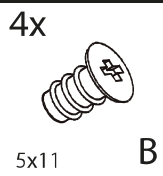
8



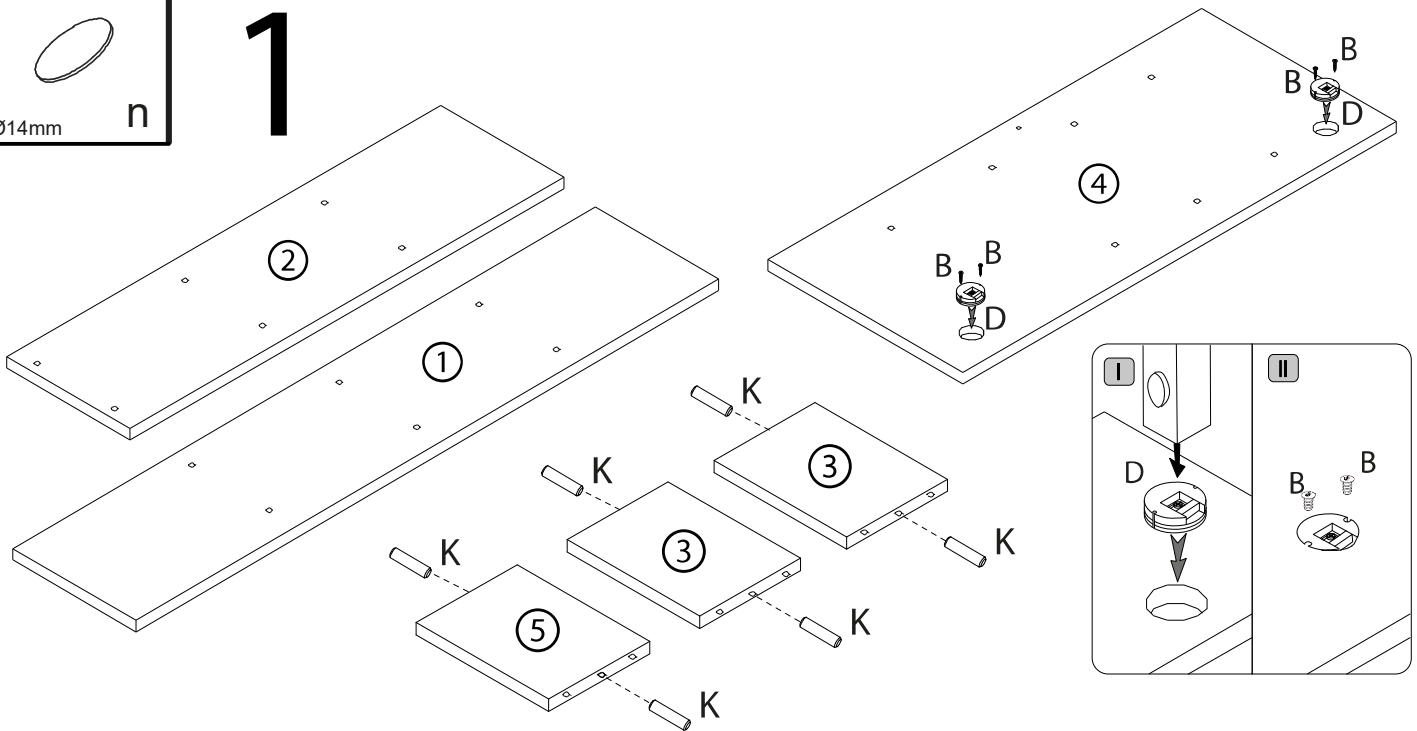


1010x450x218

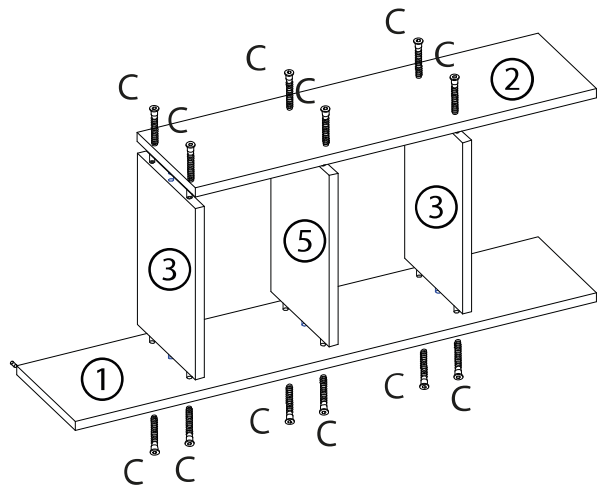
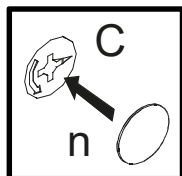
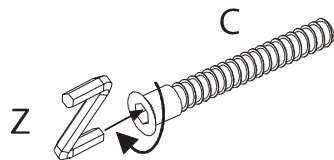
<b>1</b>	<b>910x200x16</b>	<b>6x6</b>
<b>2</b>	<b>700x200x16</b>	<b>6x6</b>
<b>3</b>	<b>304x199x16</b>	<b>6x6</b>
<b>4</b>	<b>1010x450x16</b>	<b>6x6</b>
<b>5</b>	<b>304x199x16</b>	<b>6x6</b>



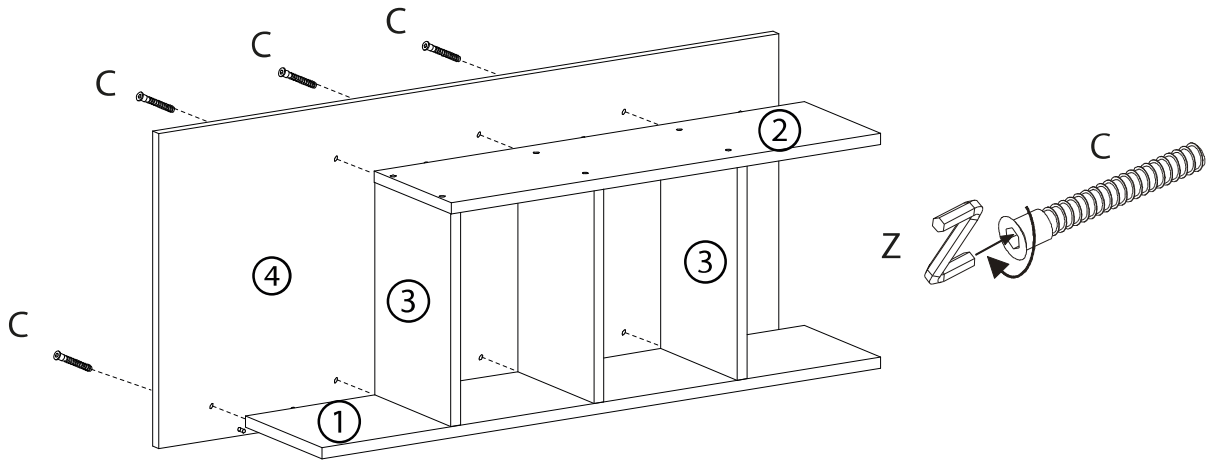
**1**



**2**



# 3



# 4

