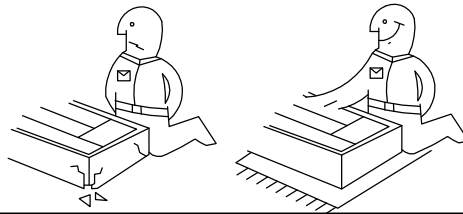
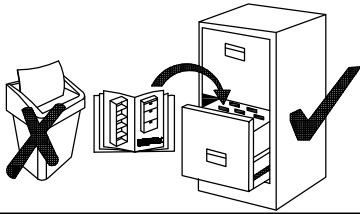
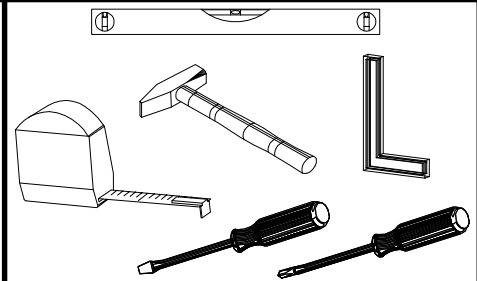
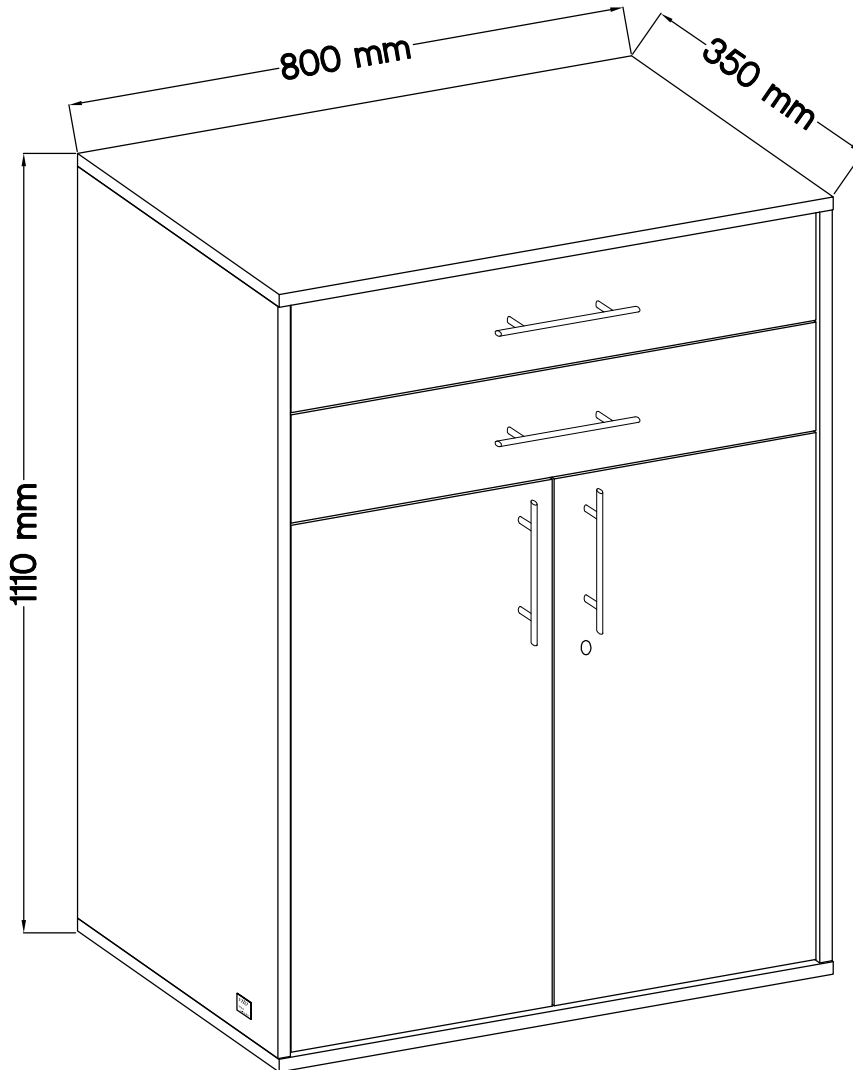


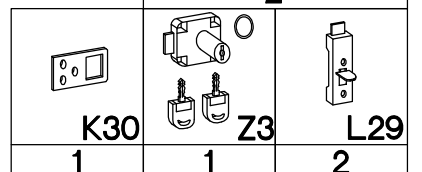
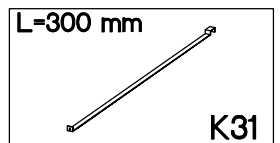
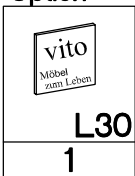
Finito Vito Pronto 70-248




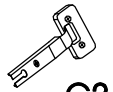


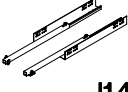








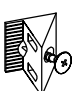







- 70-248-T2
- 70-248-T3
- 70-248-G0



Option

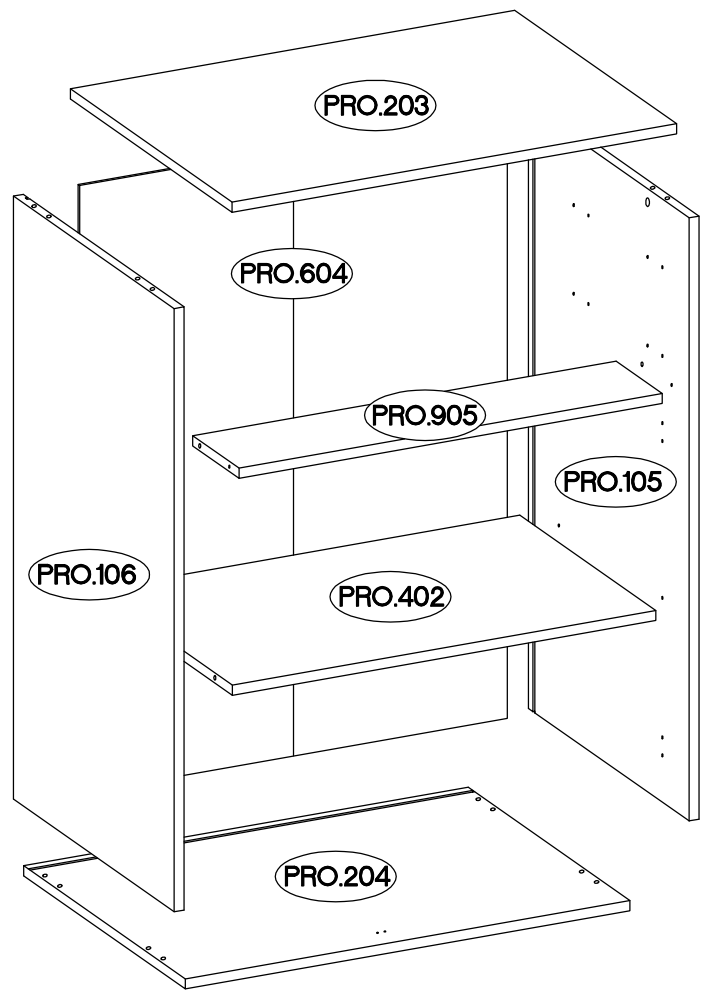
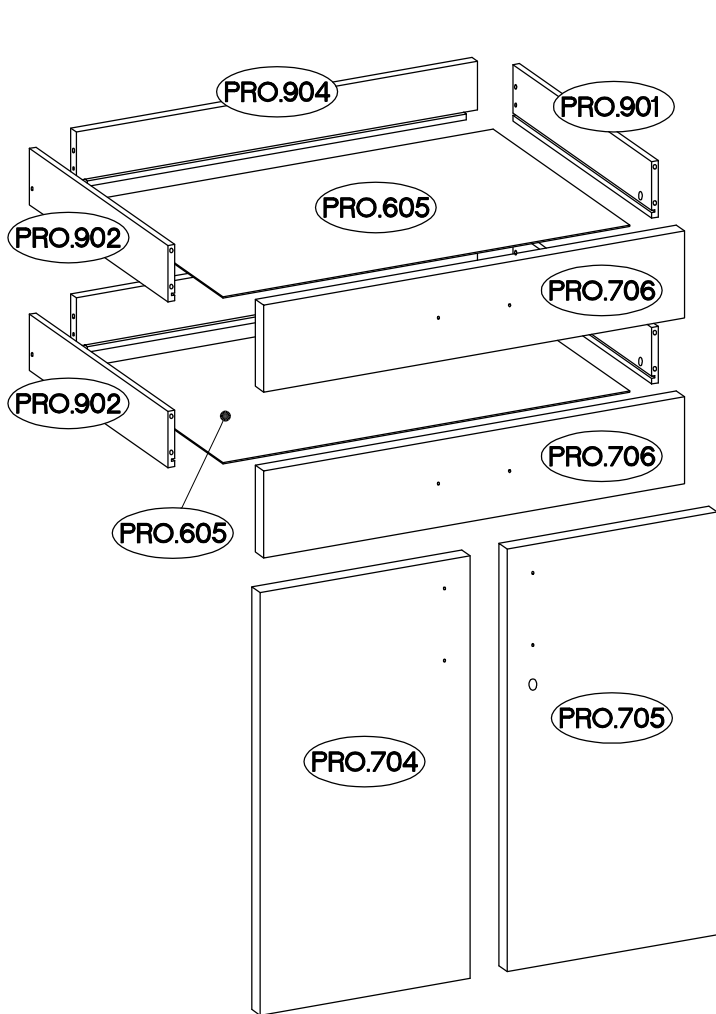


										
6	4	8	4	4	4	2	16	4	2	
										
10	14	18	4	21	8	1	13	1	4	1

PRO.203 = max. 10kg



PRO.402 = max. 5kg

PRO.605 = max. 5kg

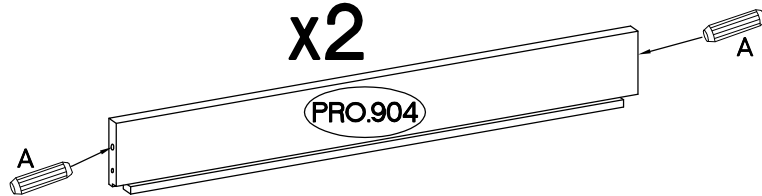


Coli	Ersatzteil Nummer	Dimension	Coli	Ersatzteil Nummer	Dimension
1/2	PRO.105	1069x348x18	2/2	PRO.106	1069x348x18
	PRO.203	800x350x18		PRO.604	1078x770x2,5
	PRO.204	800x350x18		PRO.605 x2	732x296x2,5
	PRO.402	762x314x18		PRO.704	749x378x18
	PRO.706 x2	154x758x18		PRO.705	749x378x18
	PRO.905	762x100x18			
	PRO.901 x2	300x100x12			
	PRO.902 x2	300x100x12			
	PRO.904 x2	722x100x12			

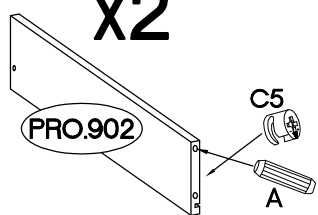
1

 A 8	 C5 4
---	--

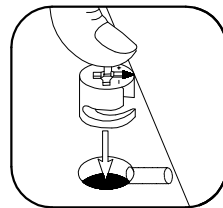
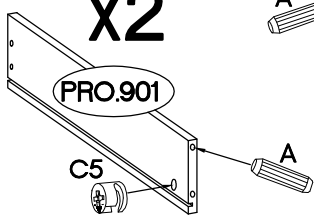
x2



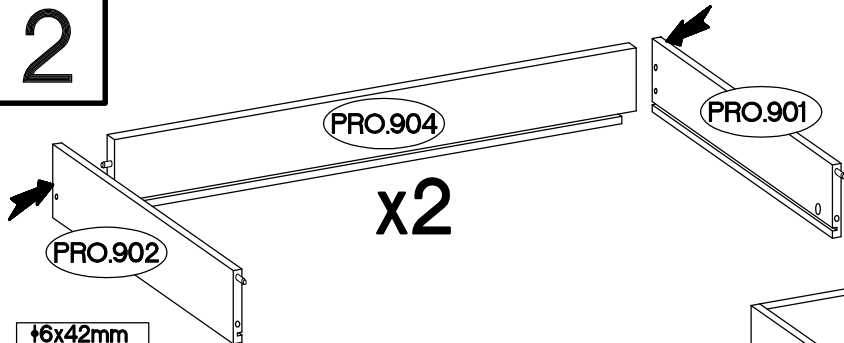
x2



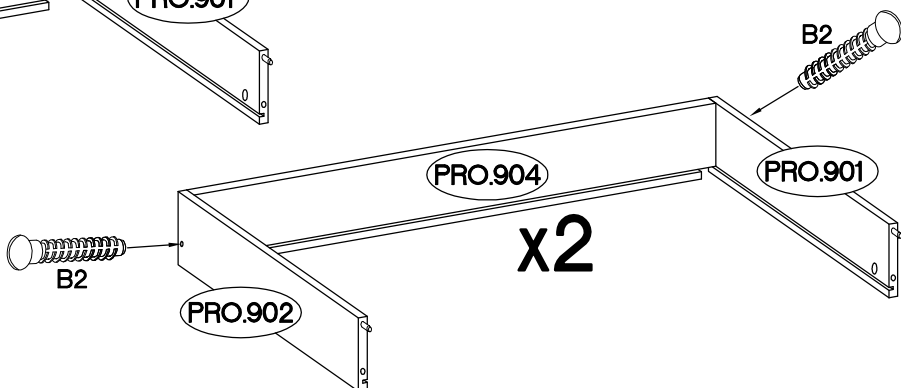
x2




2




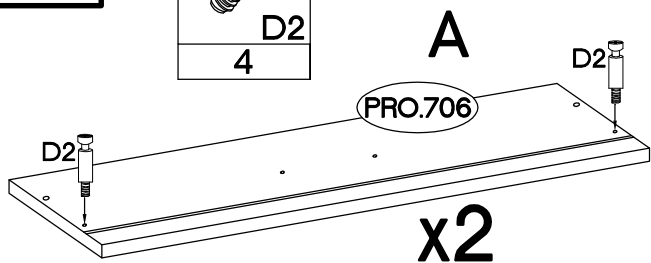
x2



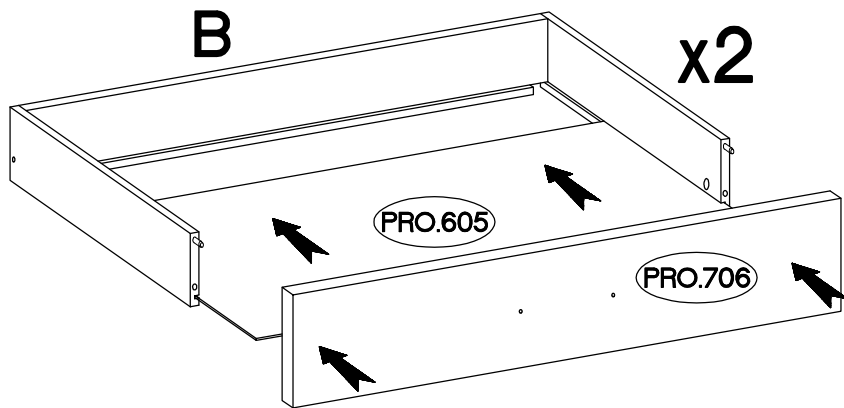
 B2 4

3

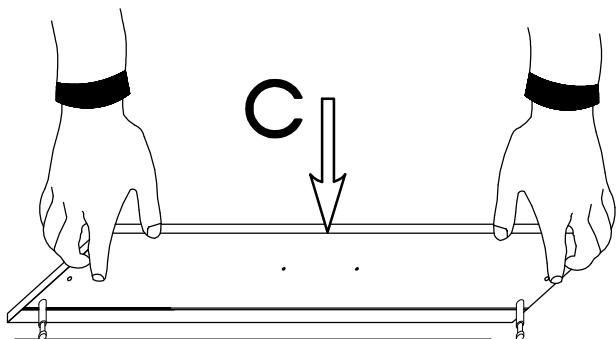
 D2 4



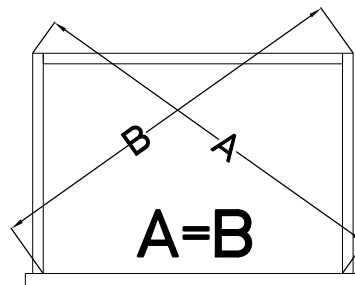
x2



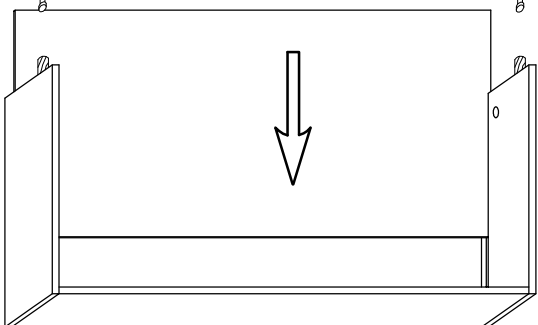
x2



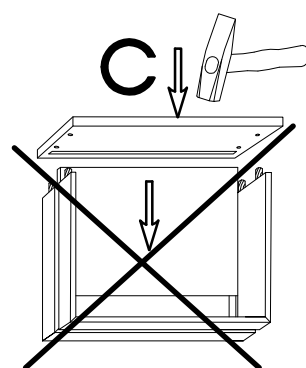
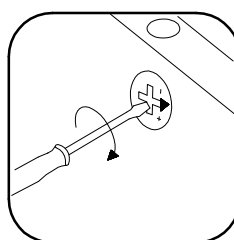
C



A=B

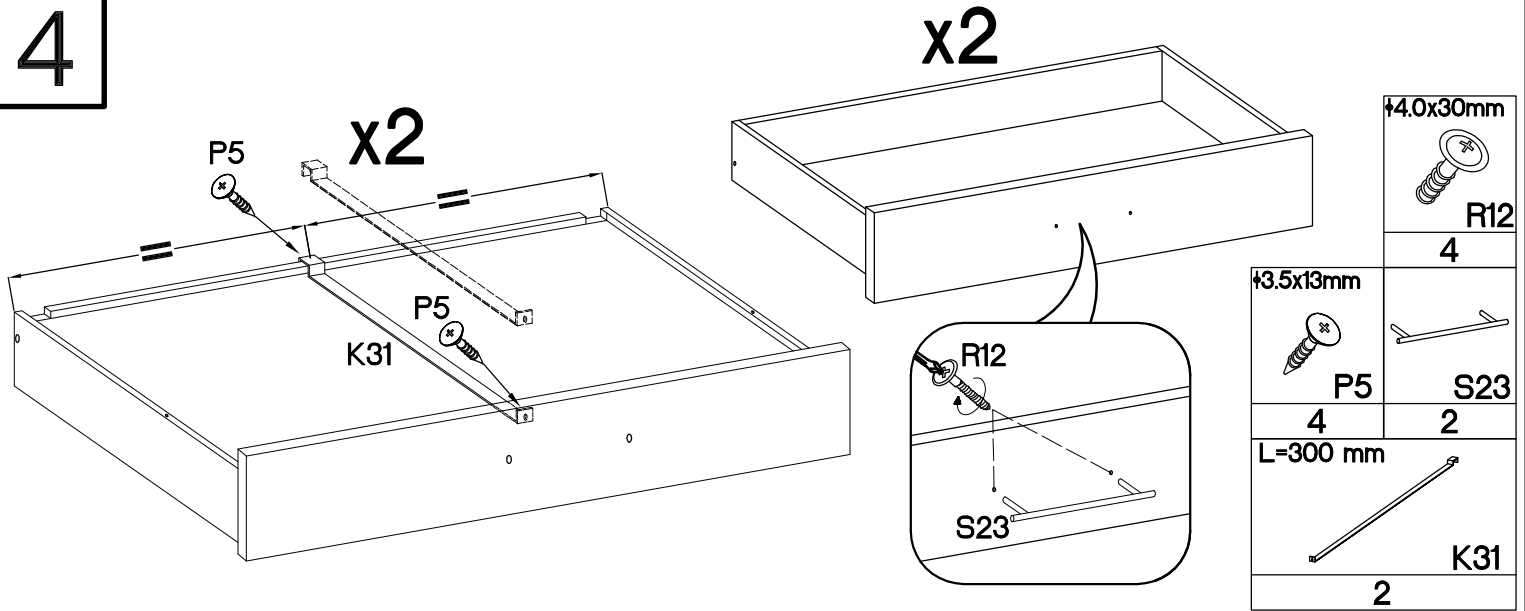


x2



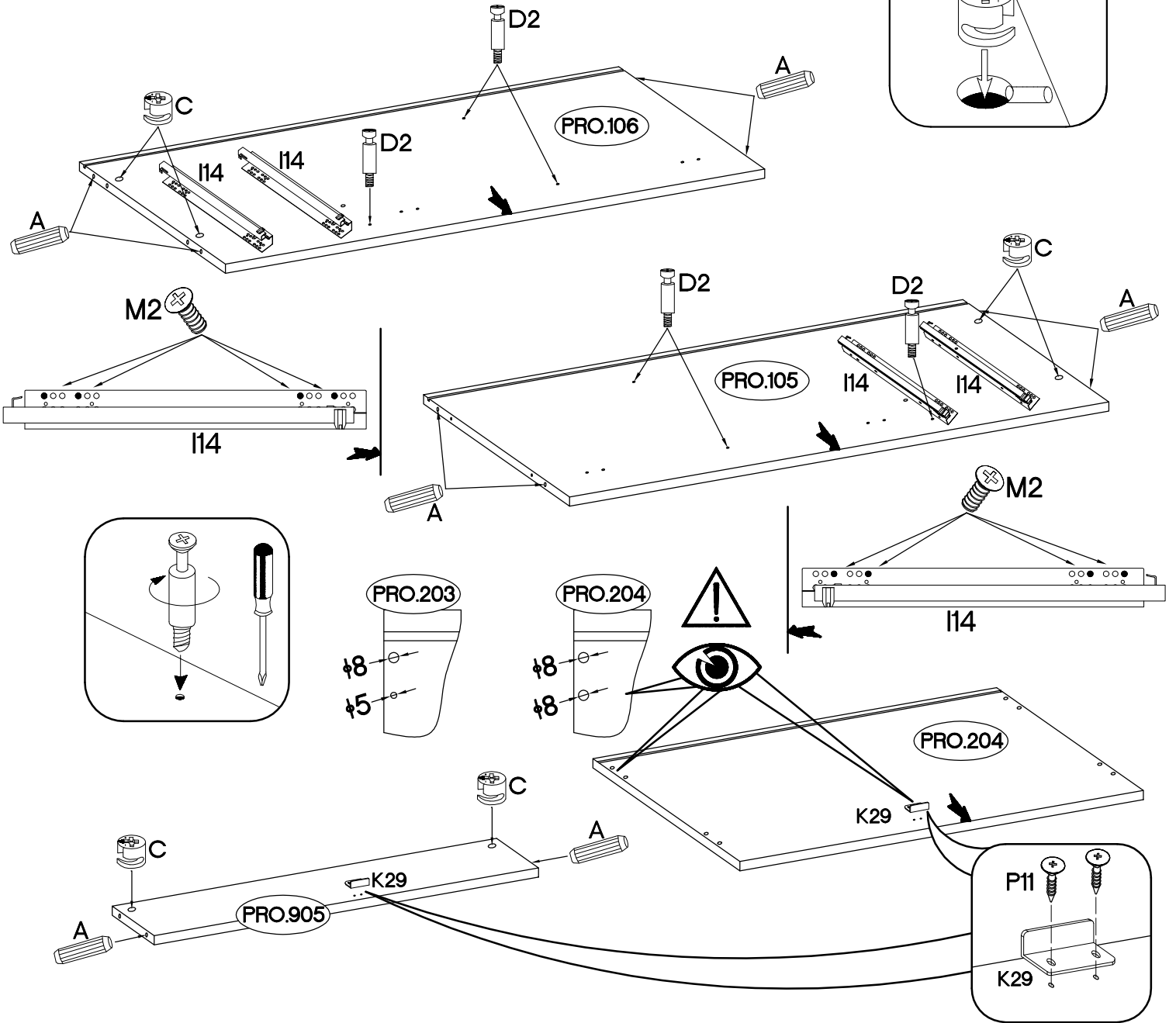
C

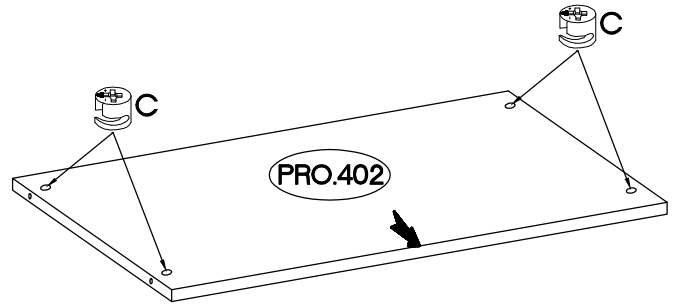
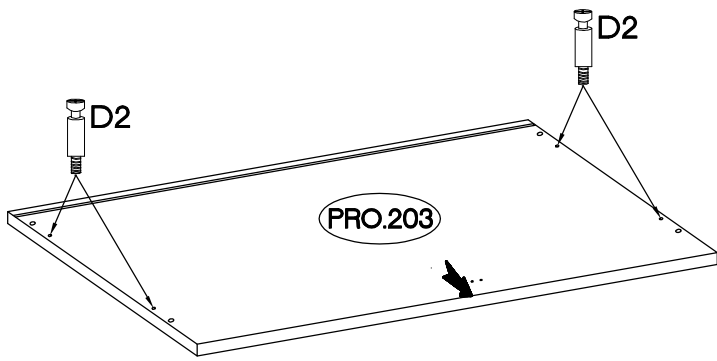
4



5

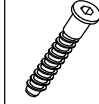
<p>15/12mm C</p>	<p>L=20mm D2</p>	<p>8x30mm A</p>	<p>L=300mm I14</p>	<p>6.3x13mm M2</p>	<p>K29</p>	<p>3.0x16mm P11</p>
10	10	10	2	16	2	4





6

6,4 x 50mm



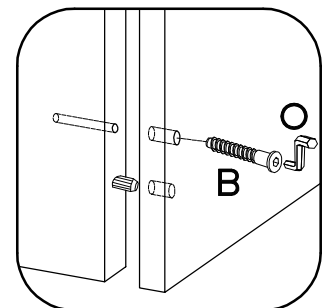
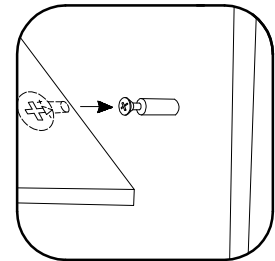
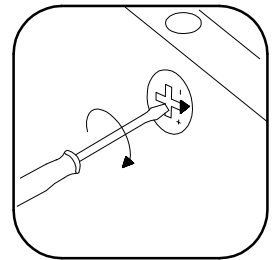
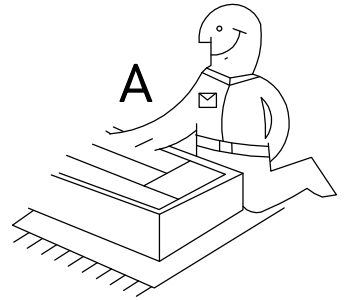
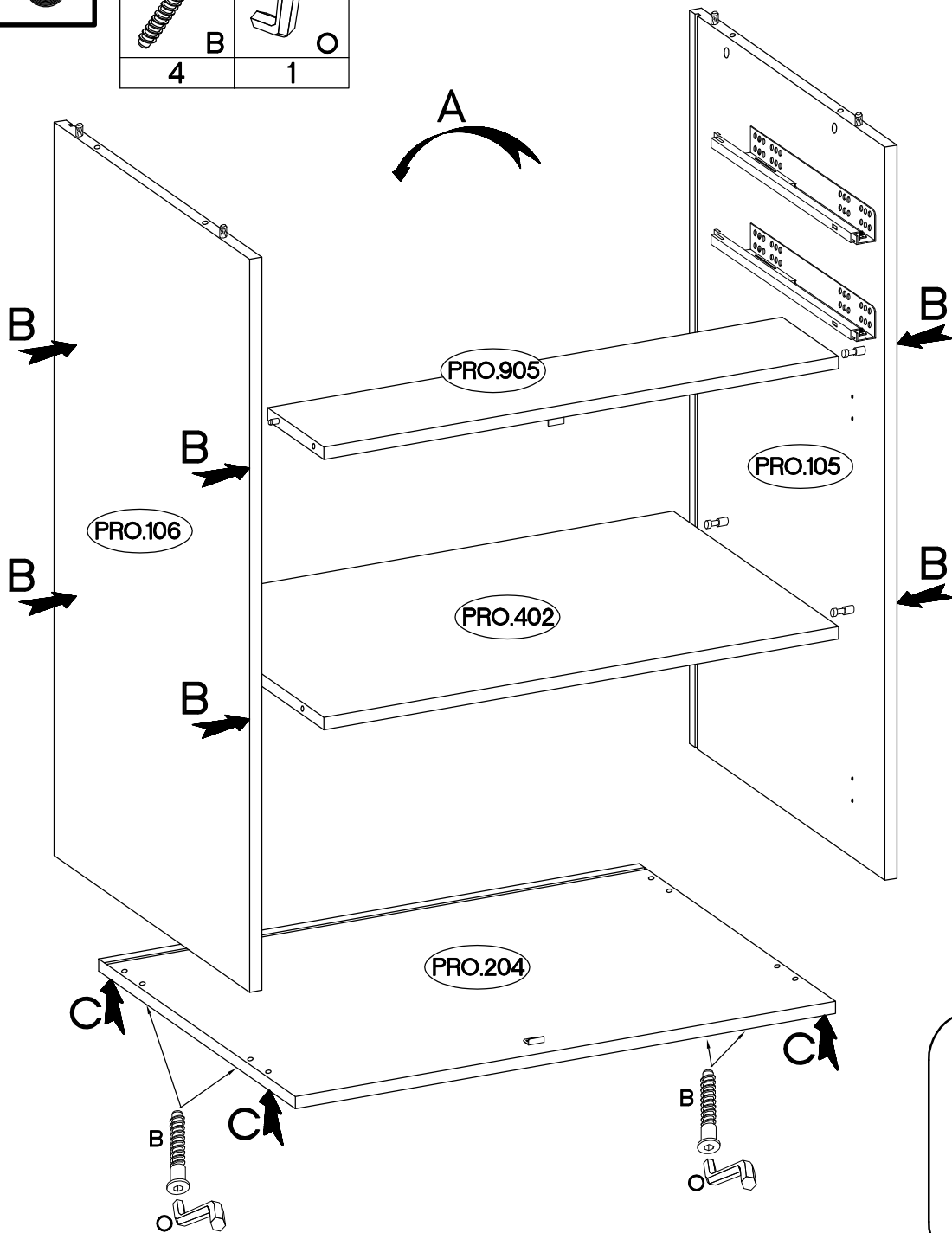
B

4

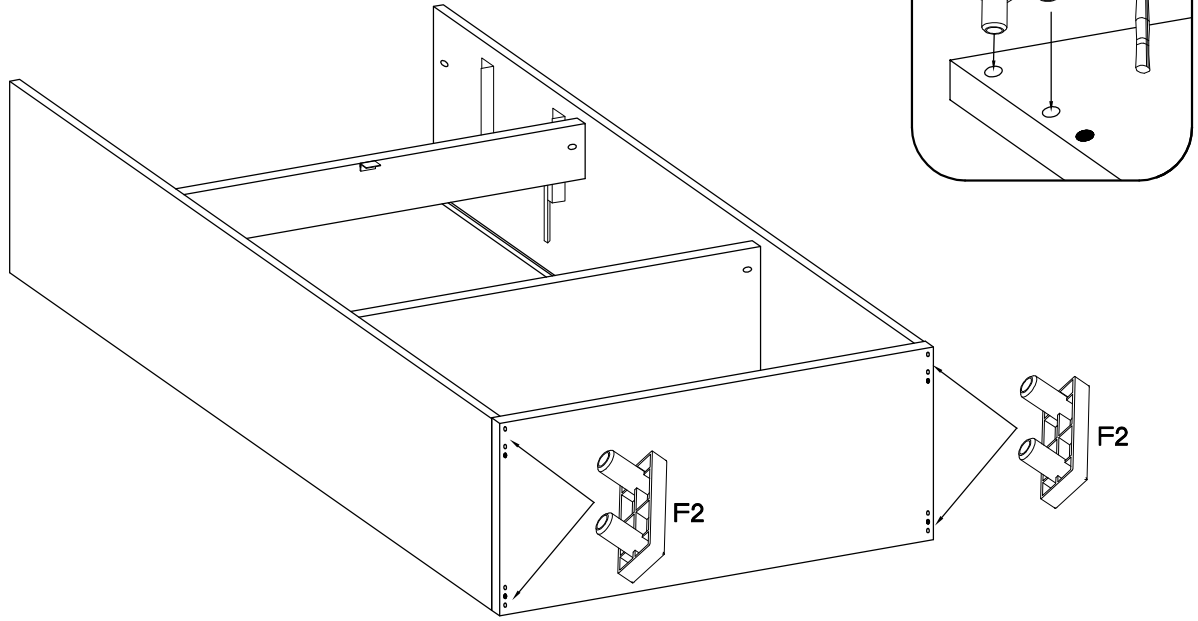


O

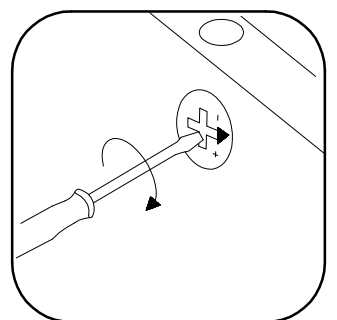
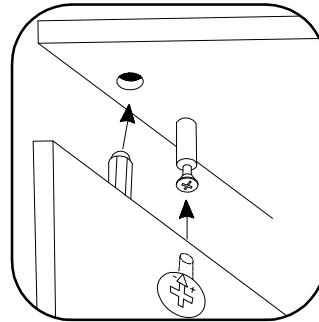
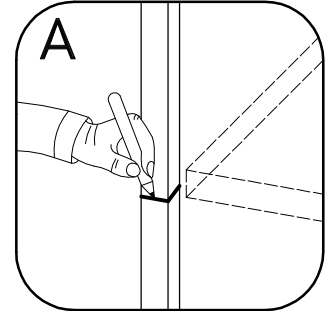
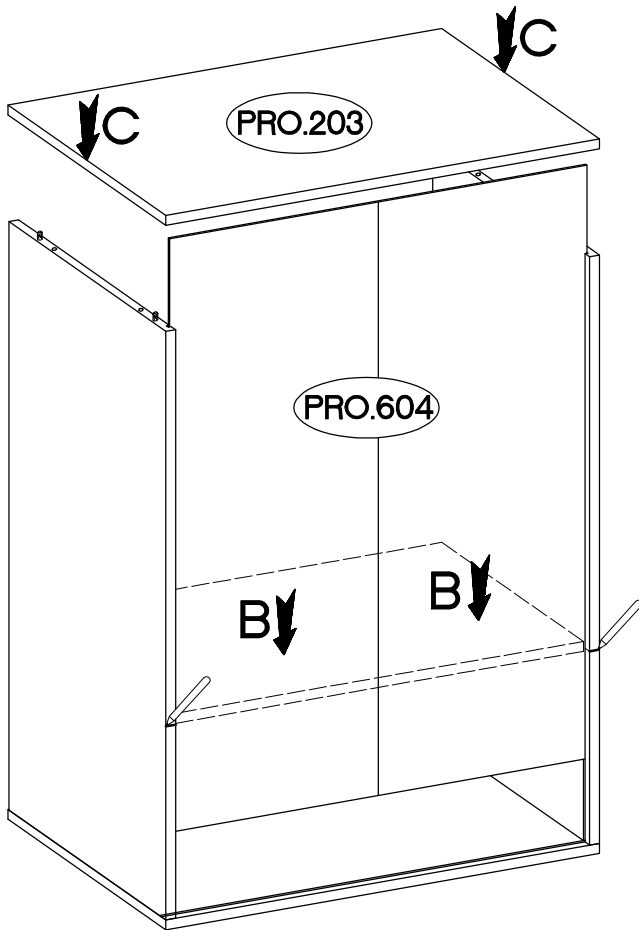
1


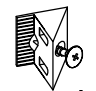


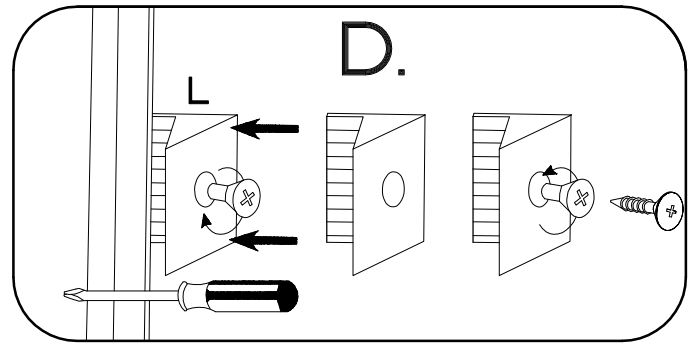
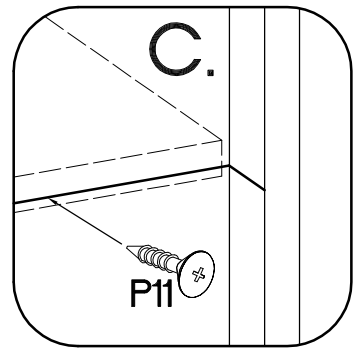
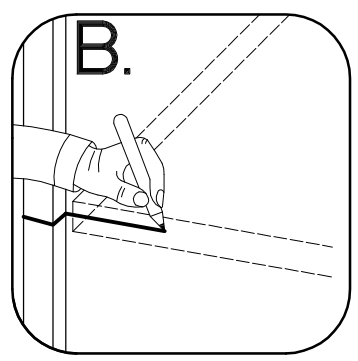
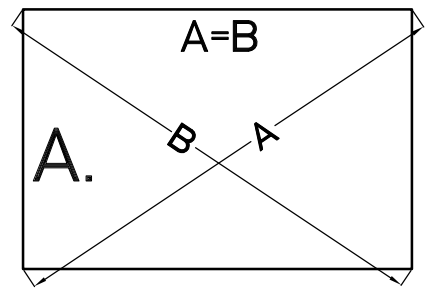
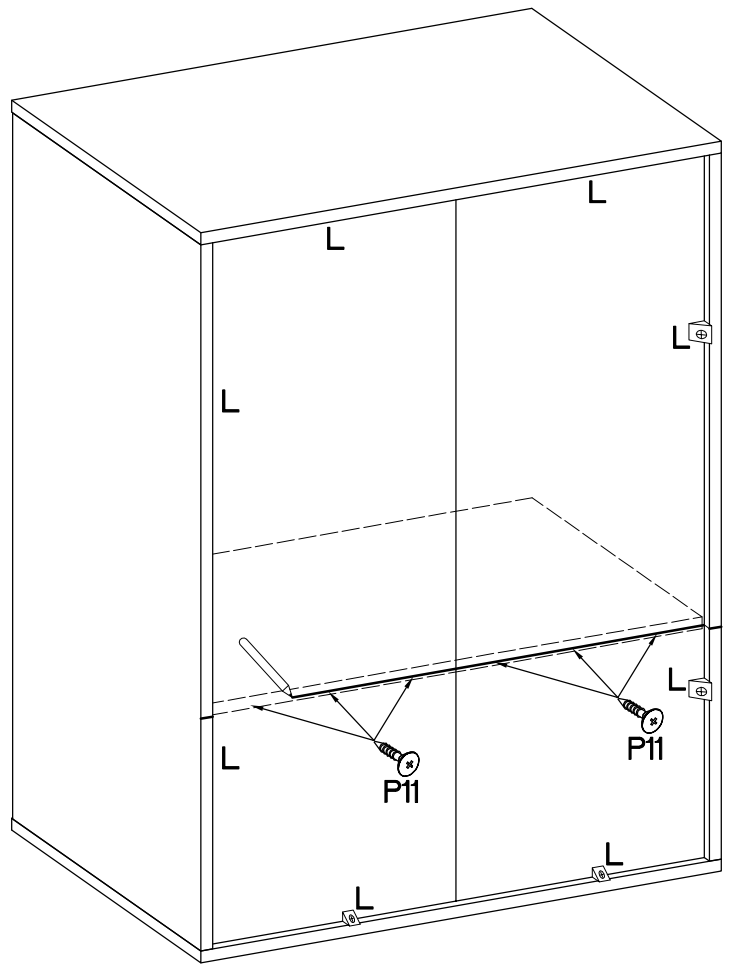
7



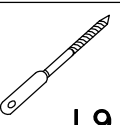


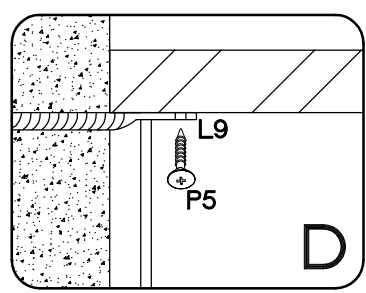
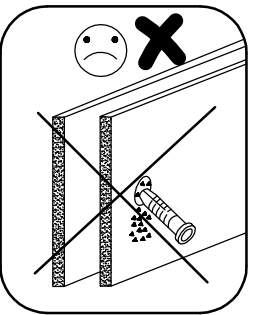
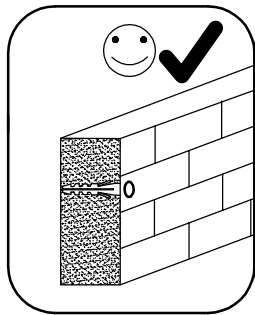
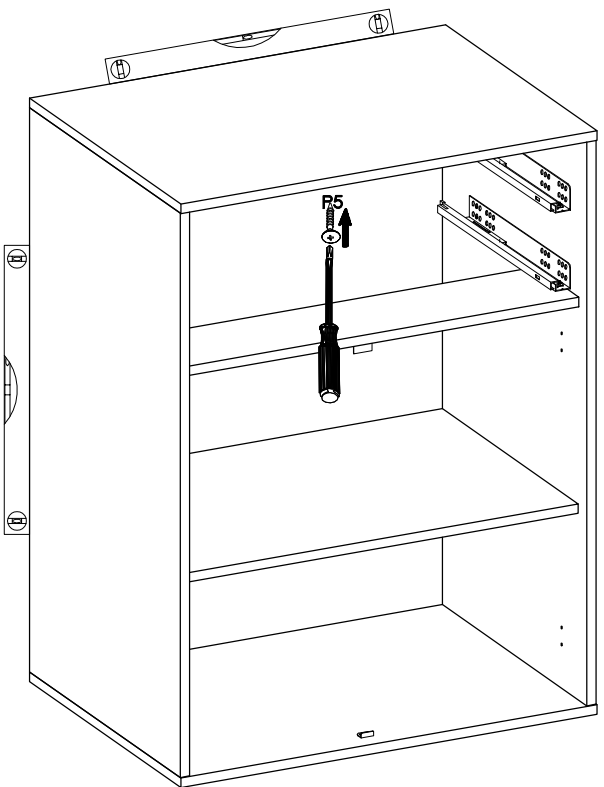
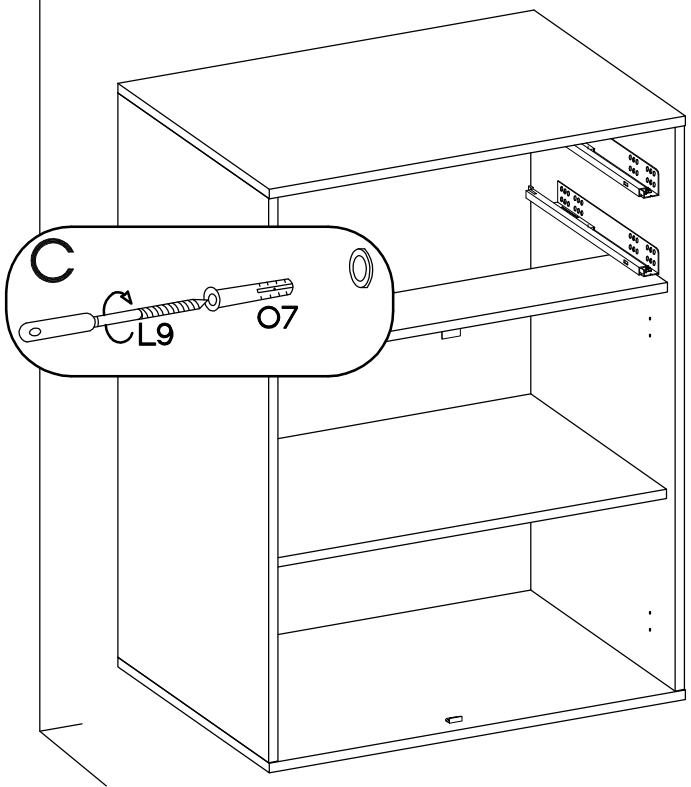
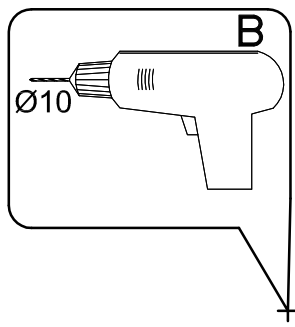
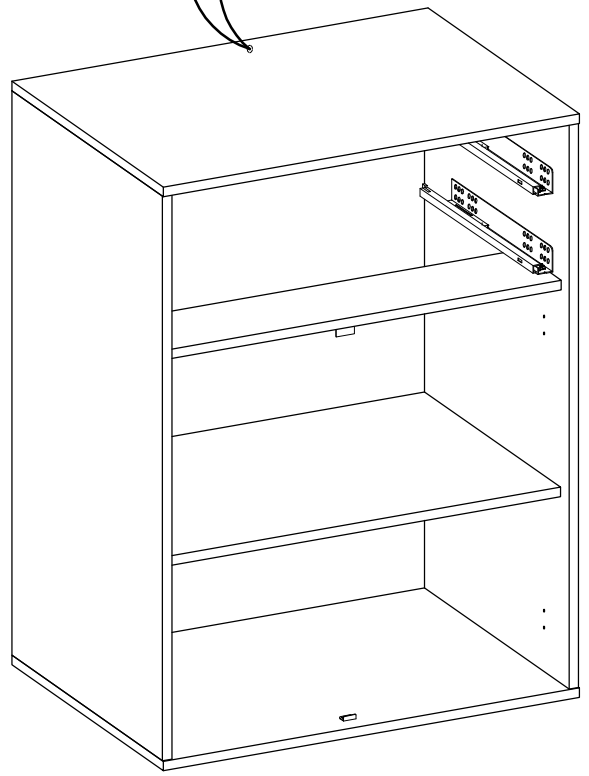
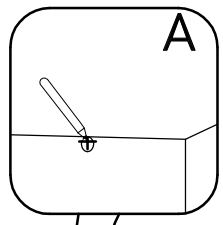
8

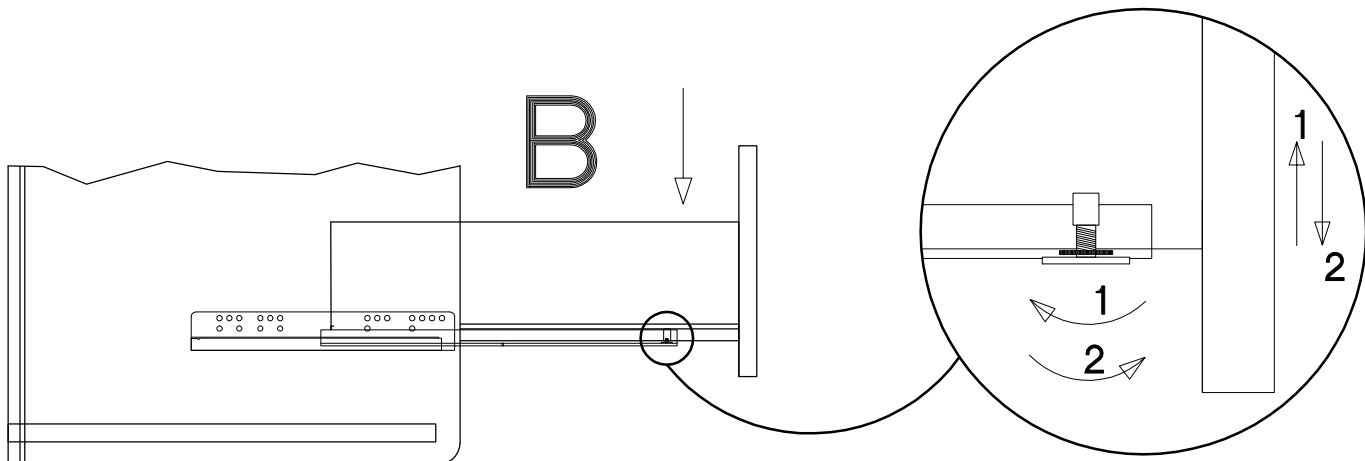
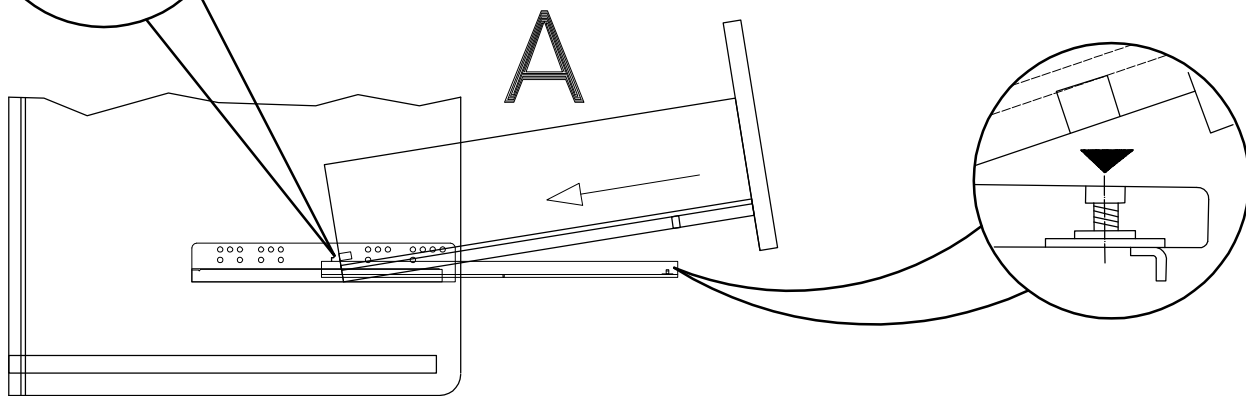
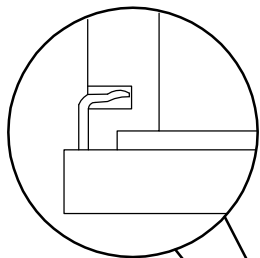
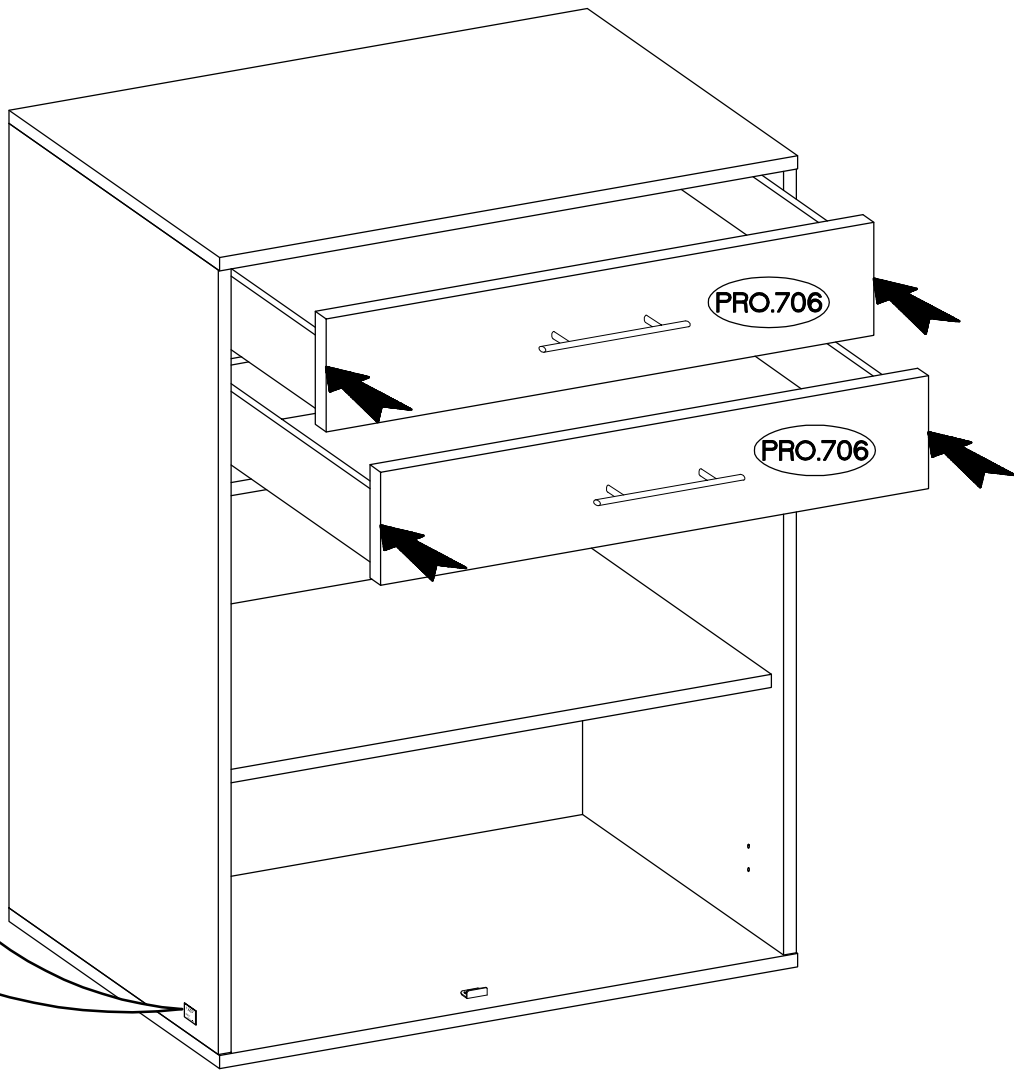
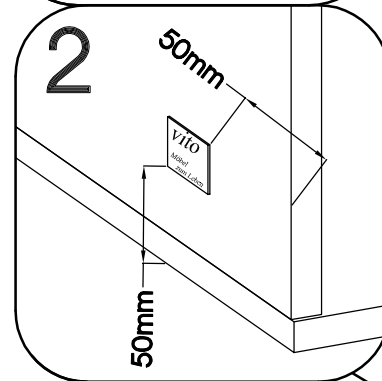


$\pm 3.0 \times 16 \text{mm}$  P11 6	 L 8
--	--

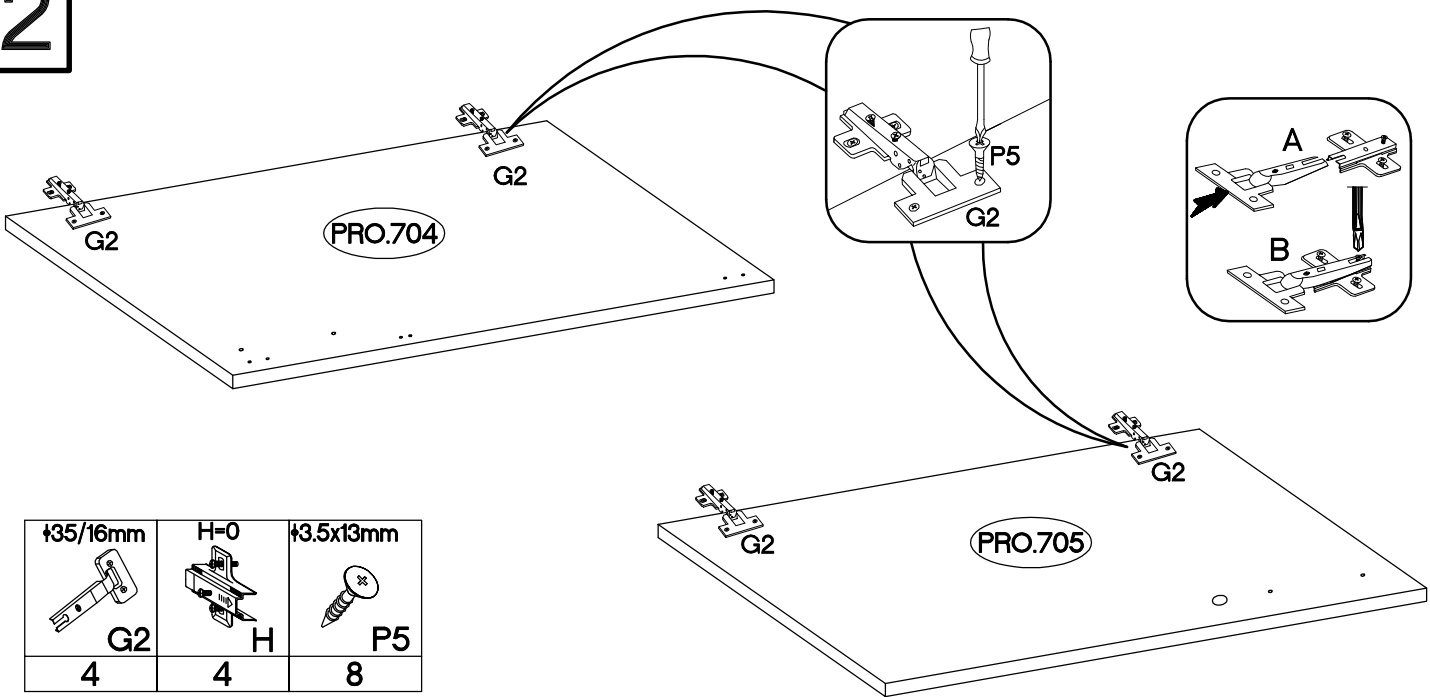


 +10x50mm	 +3.5x13mm	 L9
O7	P5	L9
1	1	1

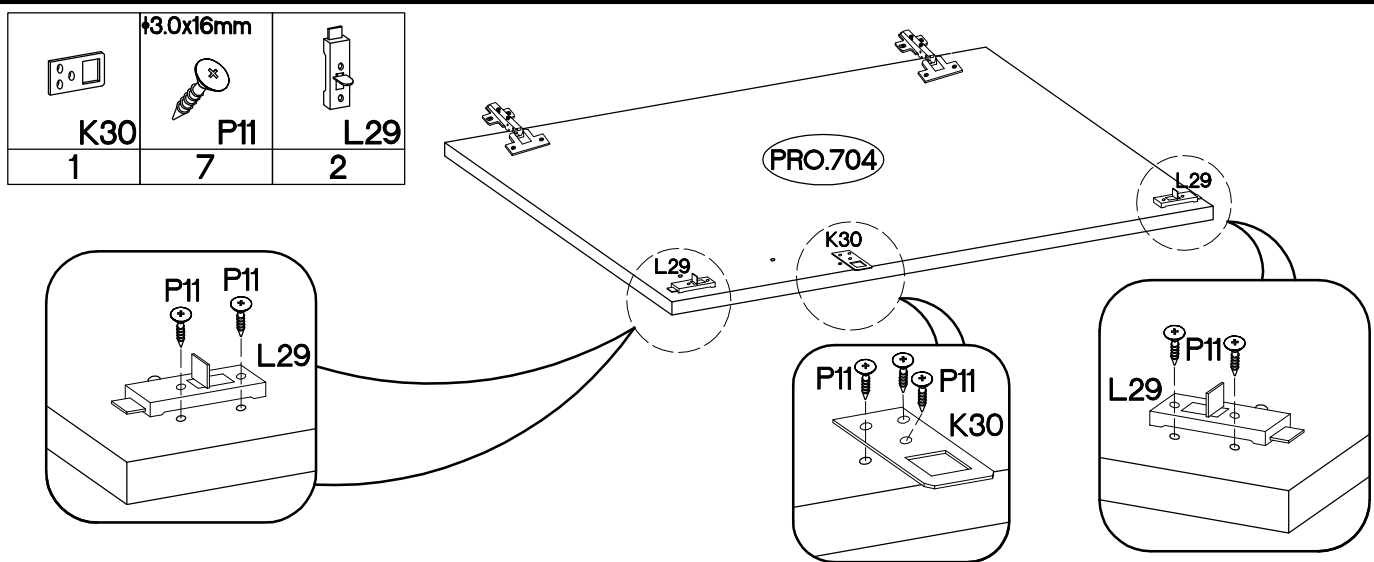




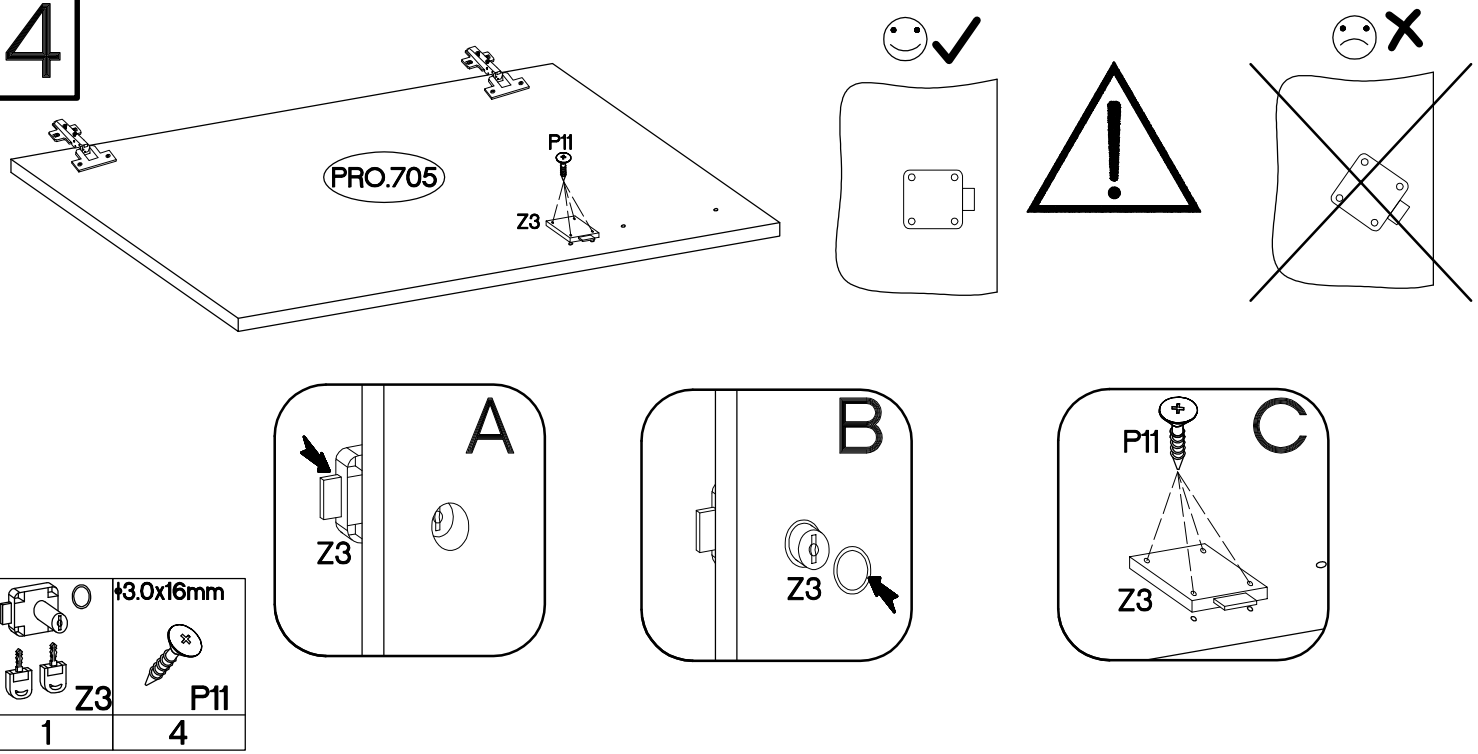
12






13



14



 E 6	 S23 2	$\phi 4.0 \times 30 \text{mm}$  R12 4
--	--	--

