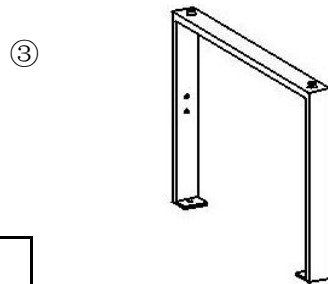
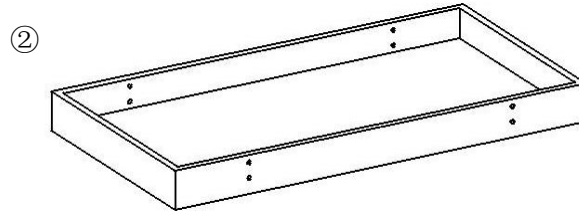
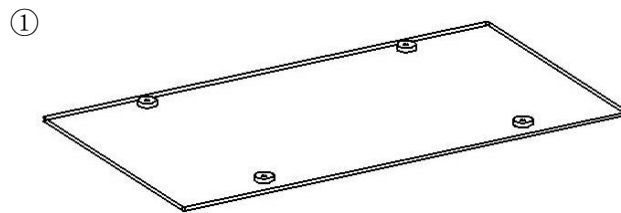
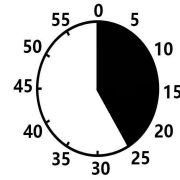
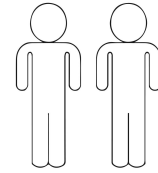
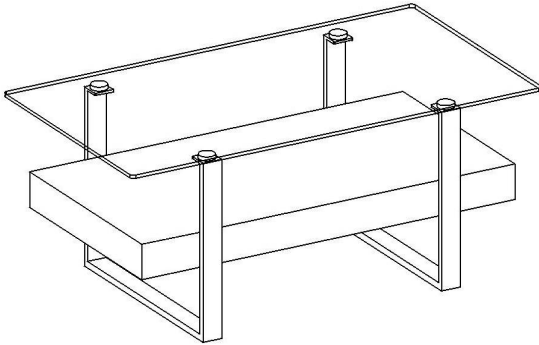


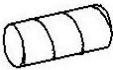
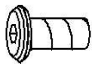

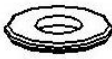
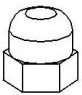
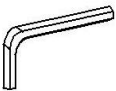
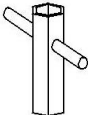
## Konrad CT



1	1x
2	1x
3	2x

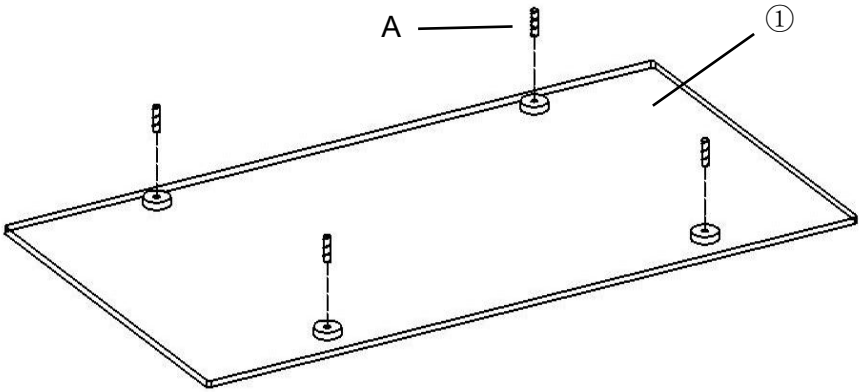


1/1

A	M8x20mm	B	M6x30mm	C	Φ16xΦ6x1mm	D	Φ18xΦ8x1.5mm
	4x		8x		8x		4x
E	M8	F	M4	G	M8		
	4x		1x		1x		

I.

1



A

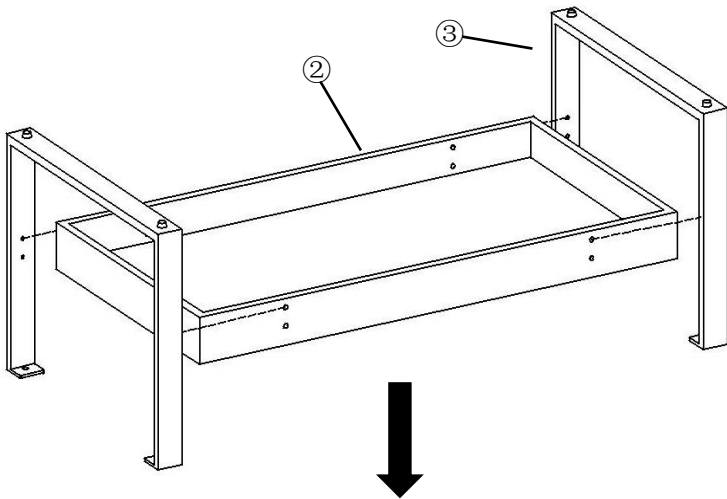
M8x20mm



4x



2



B

M6x30mm



8x

C

Φ16xΦ6x1mm



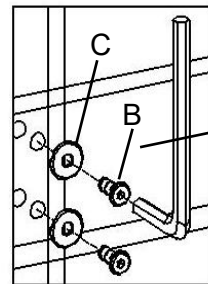
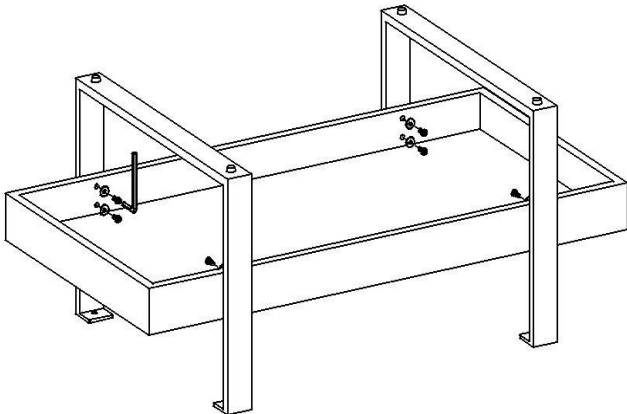
8x

F



M4

1x



II.

3

D	$\Phi 18 \times \Phi 8 \times 1.5 \text{mm}$	4x
E	M8	4x
G	M8	1x

75%

4

F	M4	1x
---	----	----

100%

**LE TRI + FACILE** **BAC DE TRI**

*Séparez les éléments avant de trier*