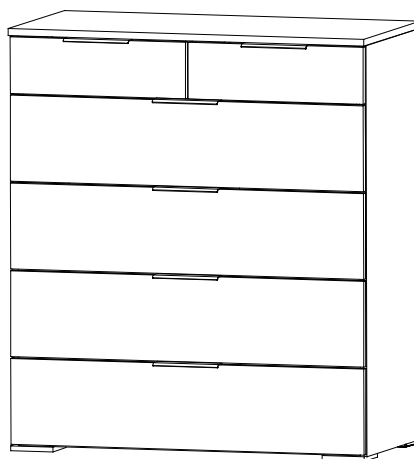
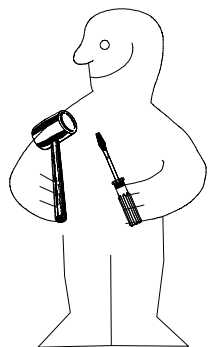
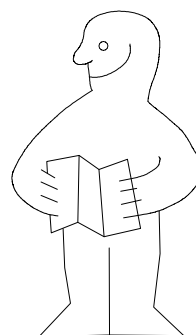
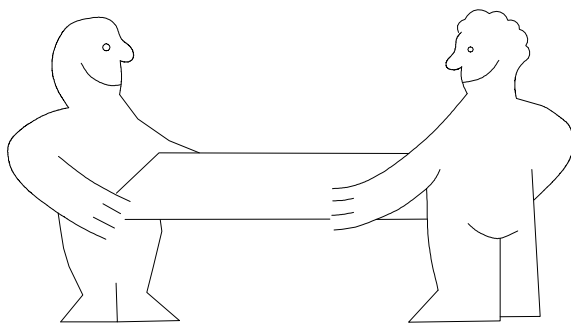
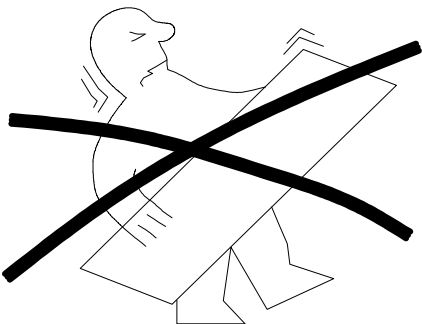


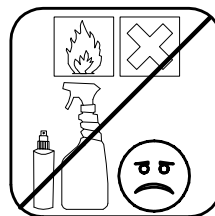
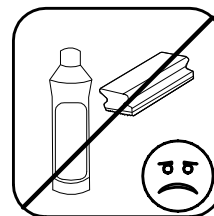
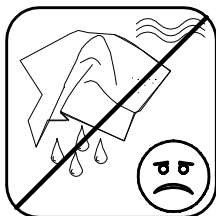
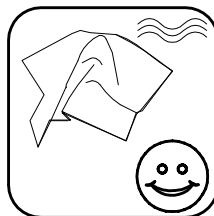
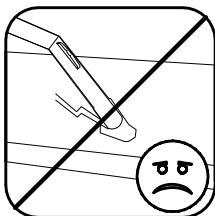
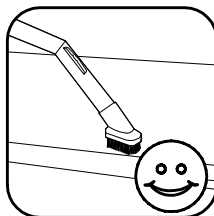
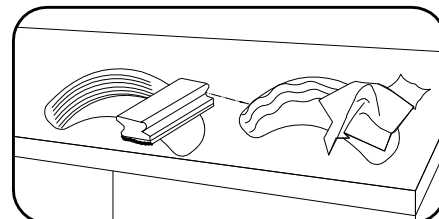
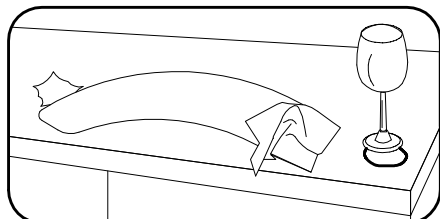
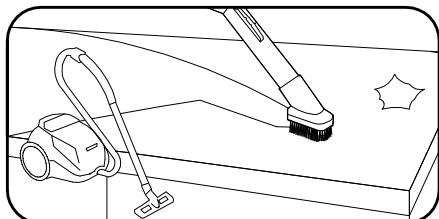
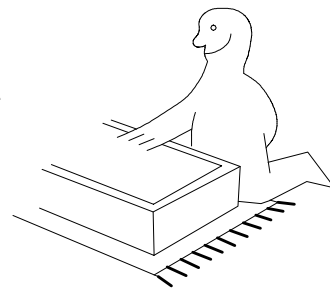
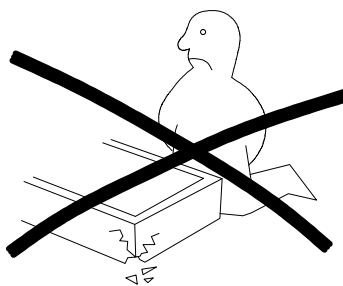
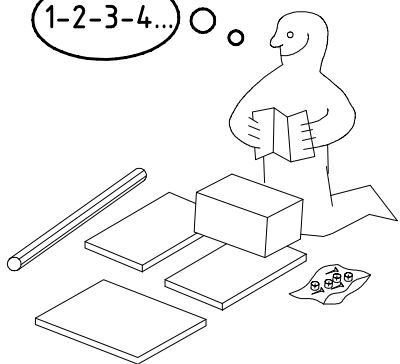
980183



803



1-2-3-4...


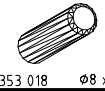
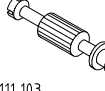



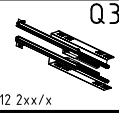

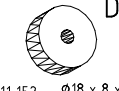

980183




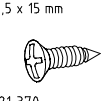
10.06.15 / 31.07.17


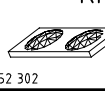

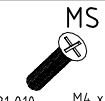
07 17

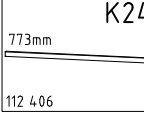
1/10

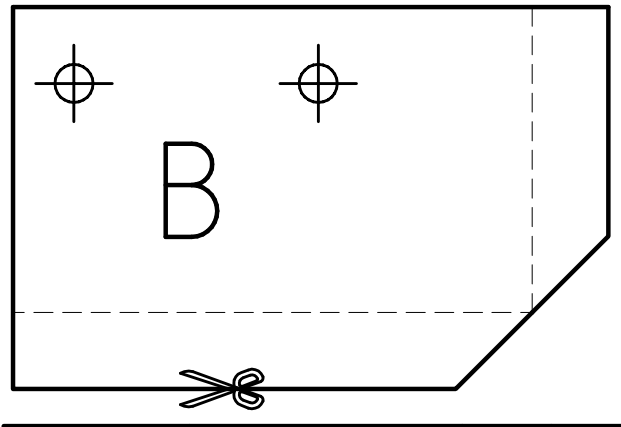
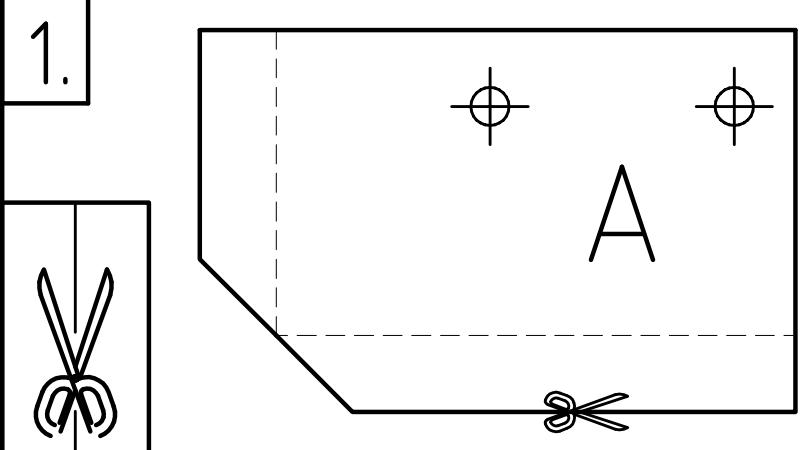
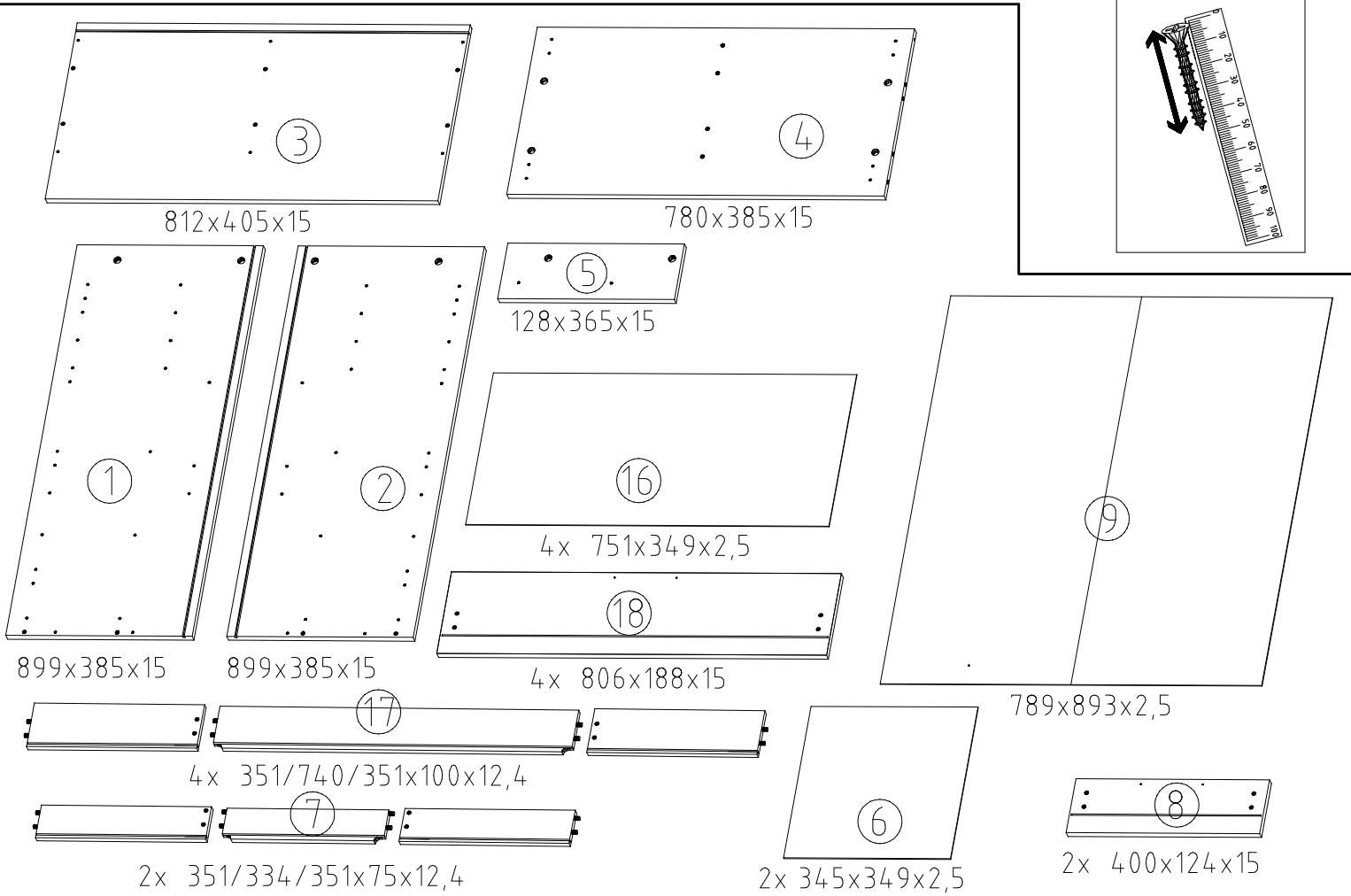
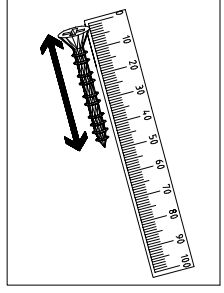
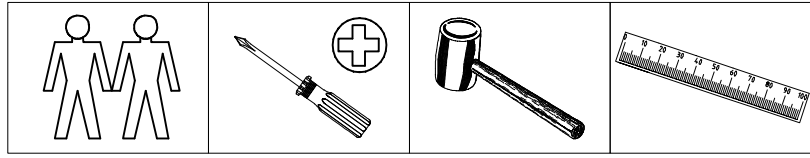
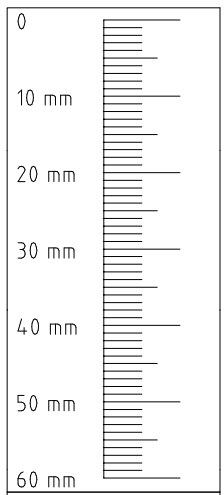
 111 102	<b>A</b>	10x
 353 018 $\varnothing 8 \times 30$	<b>D</b>	10x
 111 103	<b>C</b>	10x
 111 xxx	<b>SBV</b>	12x

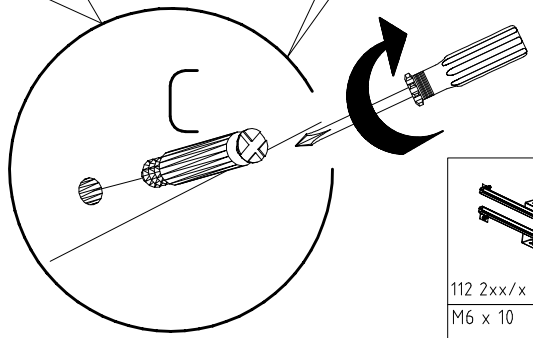
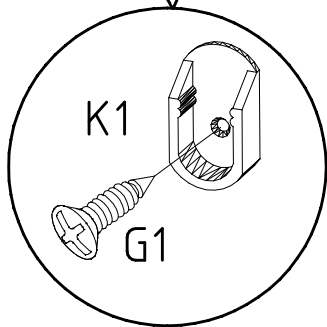
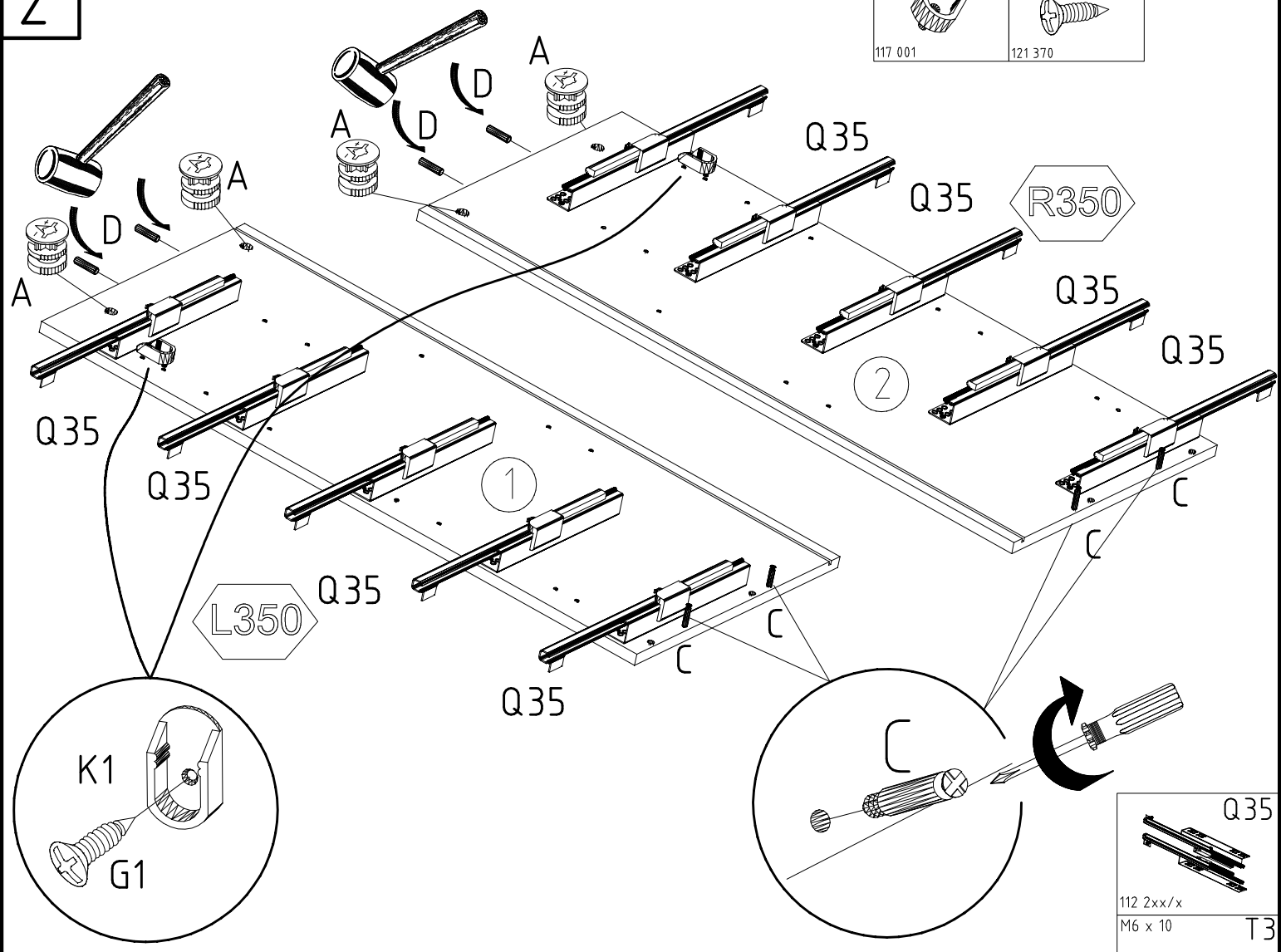
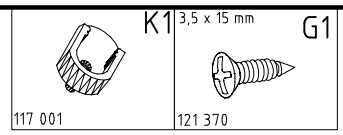
 112 2xx/x	<b>Q35</b>	6x
 112 616	<b>T3</b>	20x
 111 152 $\varnothing 18 \times 8 \times 4$	<b>D8</b>	4x
 111 xxx $\varnothing 5 \times 15 \times M4$	<b>F4</b>	2x

 121 120	<b>RG100</b>	2x
 121 120	<b>SP15</b> 4 X 15mm	12x
 117 001	<b>K1</b>	2x
 121 370	<b>G1</b> 3,5 x 15 mm	2x

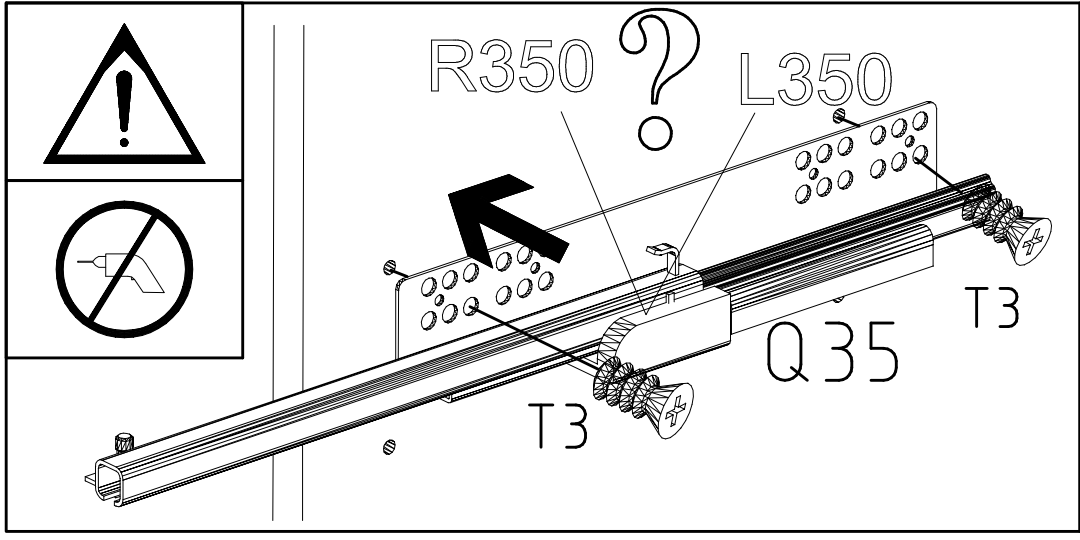
 163 007	<b>Z</b>	6x
 352 302	<b>KP8</b>	12x
 121 010	<b>RG10</b>	2x
 121 010	<b>MS 14</b> M4 x 14	4x

 773mm	<b>K24</b>	1x
112 406		

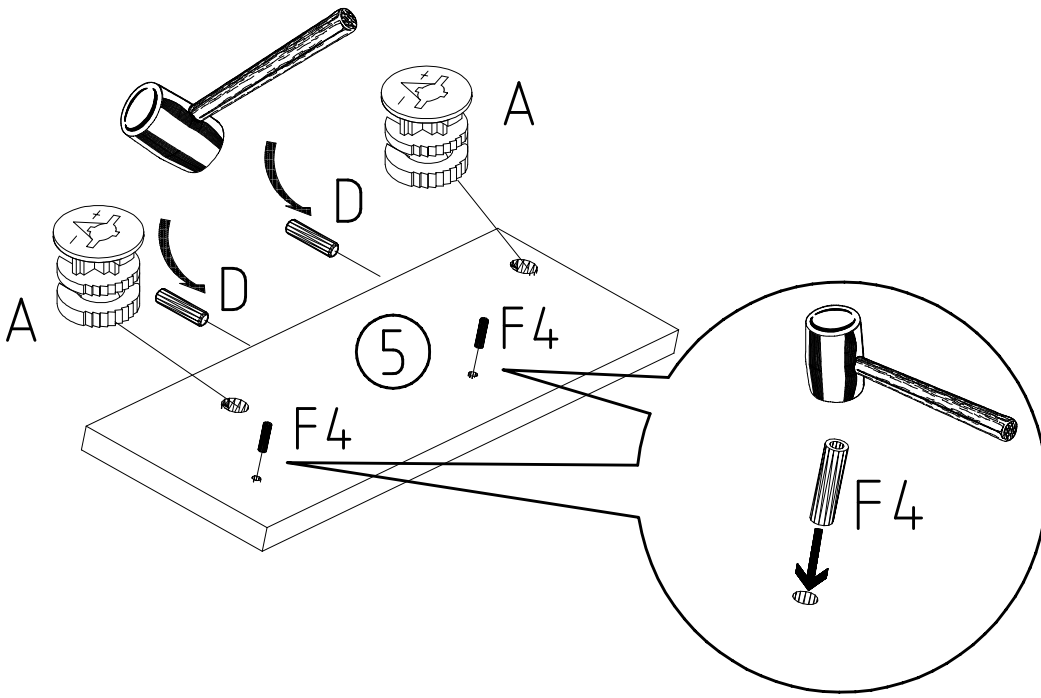



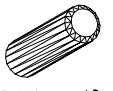



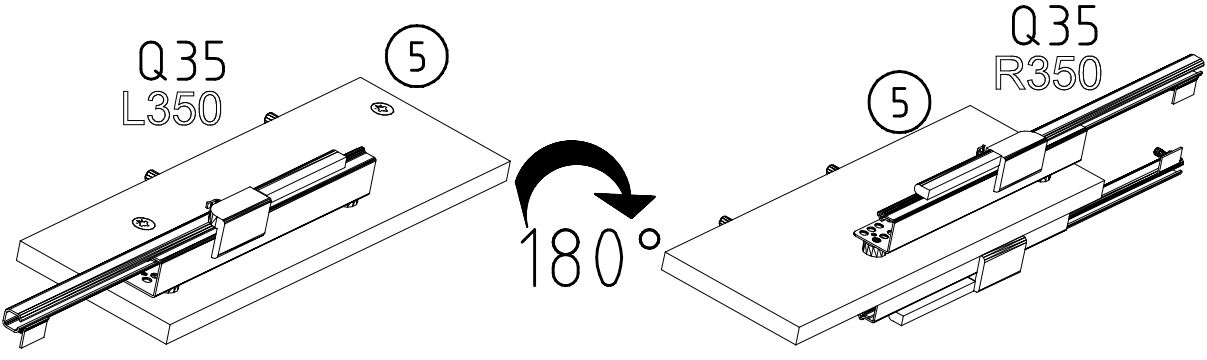
- Q35  
112 2xx/x  
M6 x 10  
T3
- 112 616
- C  
111 103
- A  
111 102
- D  
353 018  $\phi 8 \times 30$
- +

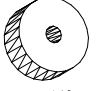



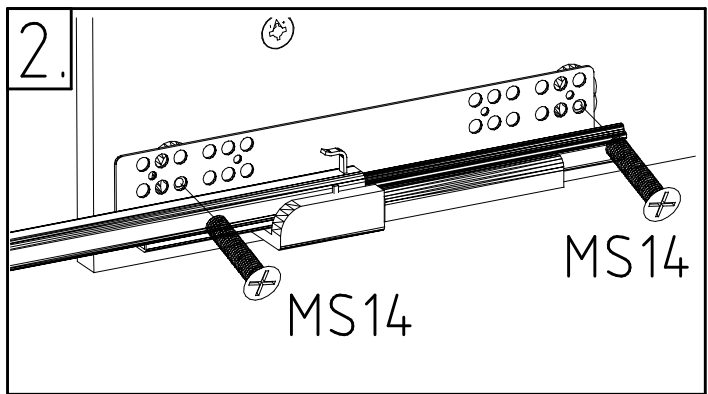
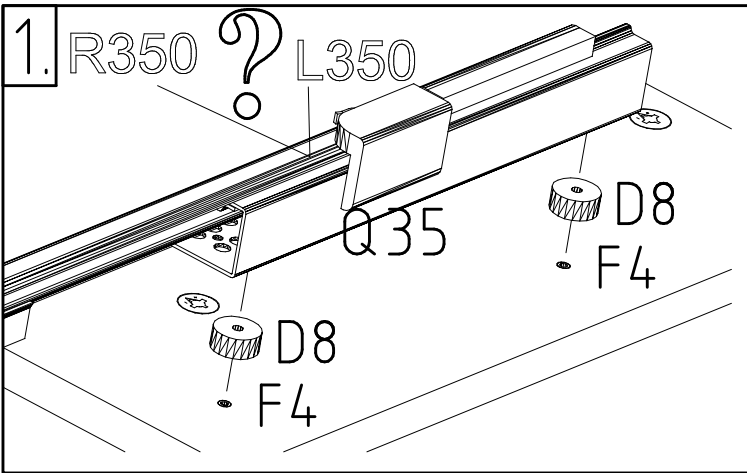
3

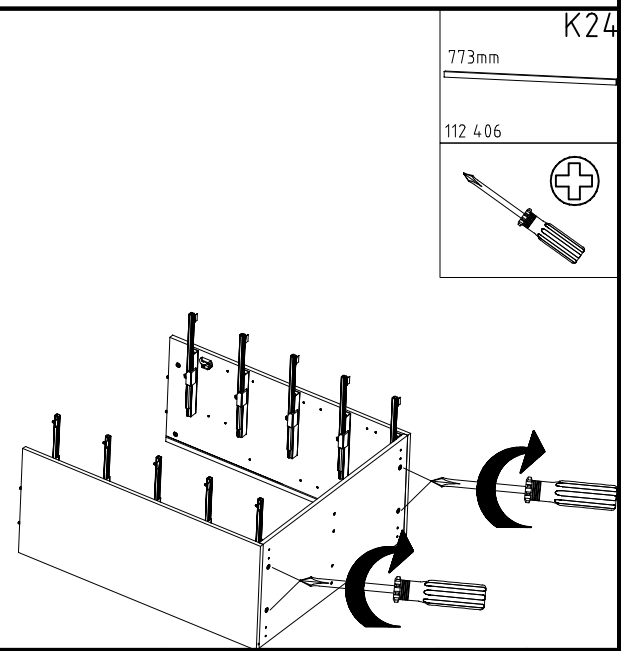
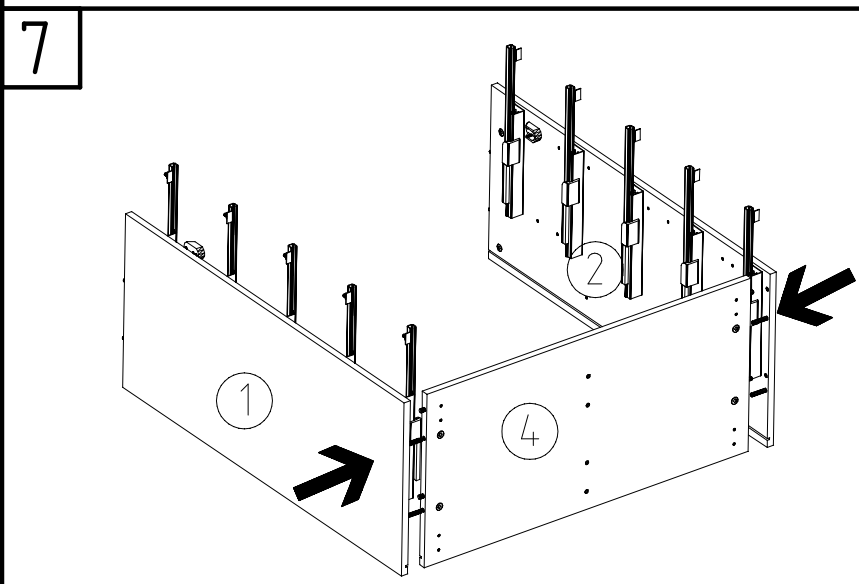
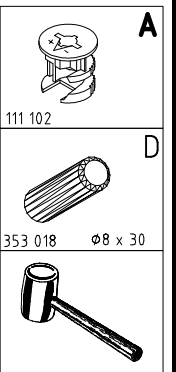
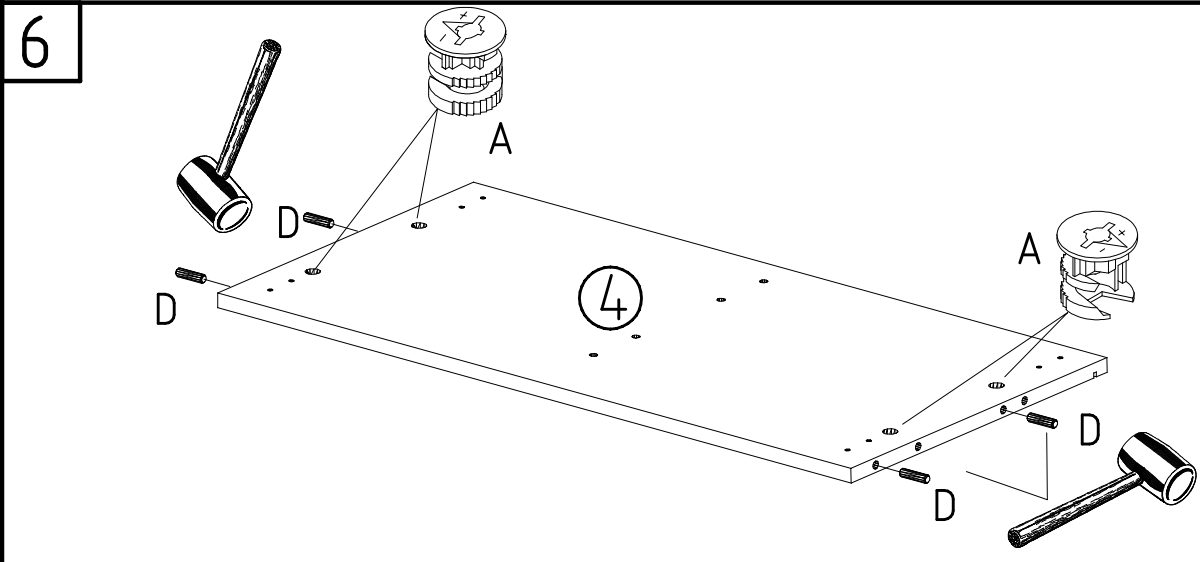
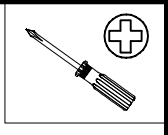
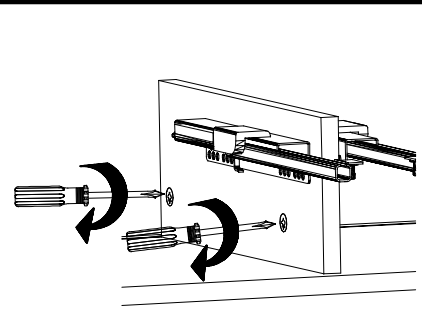
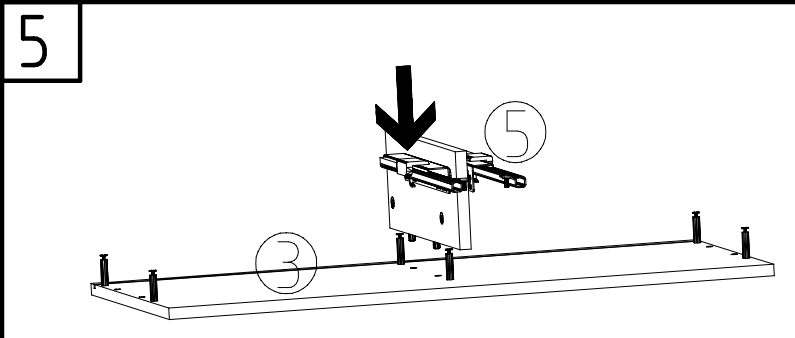
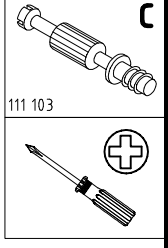
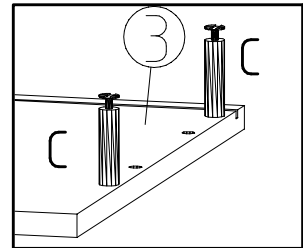
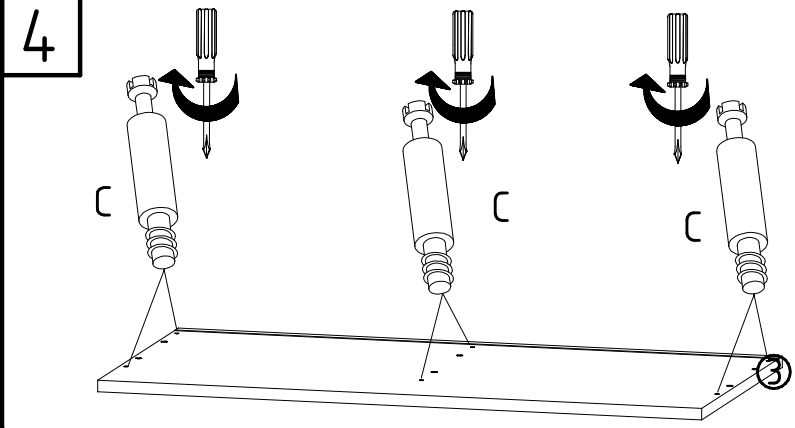


	<b>A</b>
111 102	
	<b>D</b>
353 018	∅8 x 30
	<b>F4</b>
111 xxx	∅5 x 15 x M4

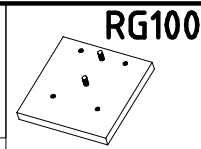
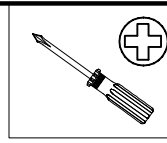


	<b>D8</b>
111 152	∅18 x 8 x 4
	<b>MS 14</b>
121 010	M4 x 14

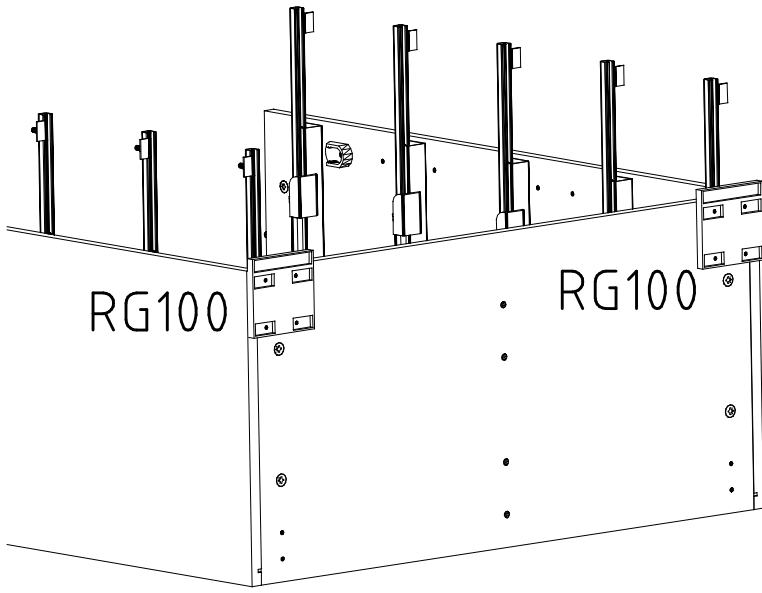




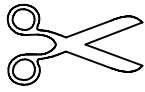
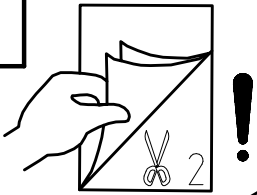
8



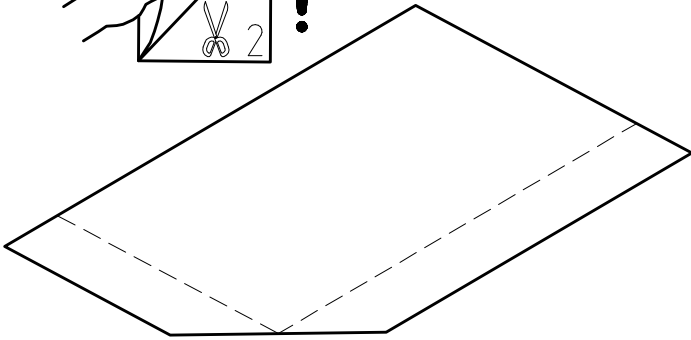
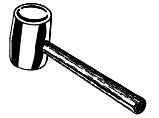
SP15  
4 X 15mm  
121 120



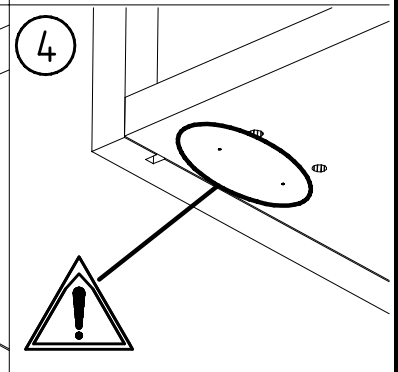
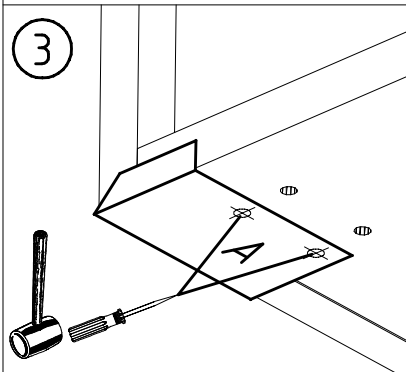
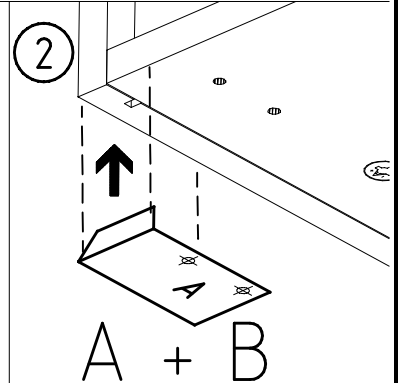
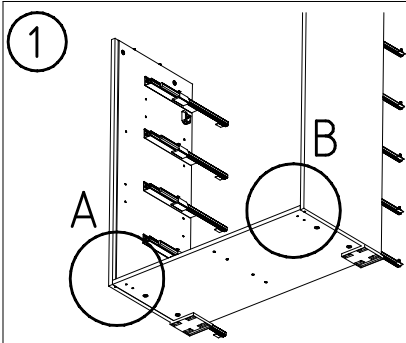
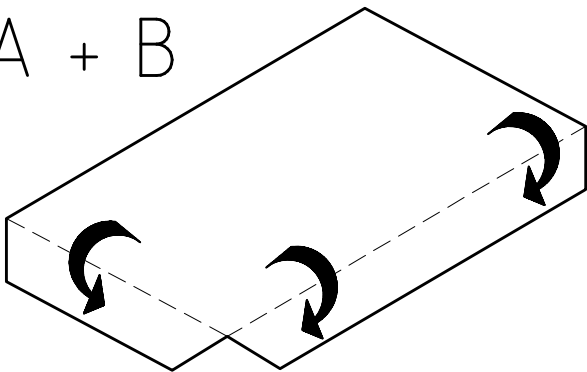
9



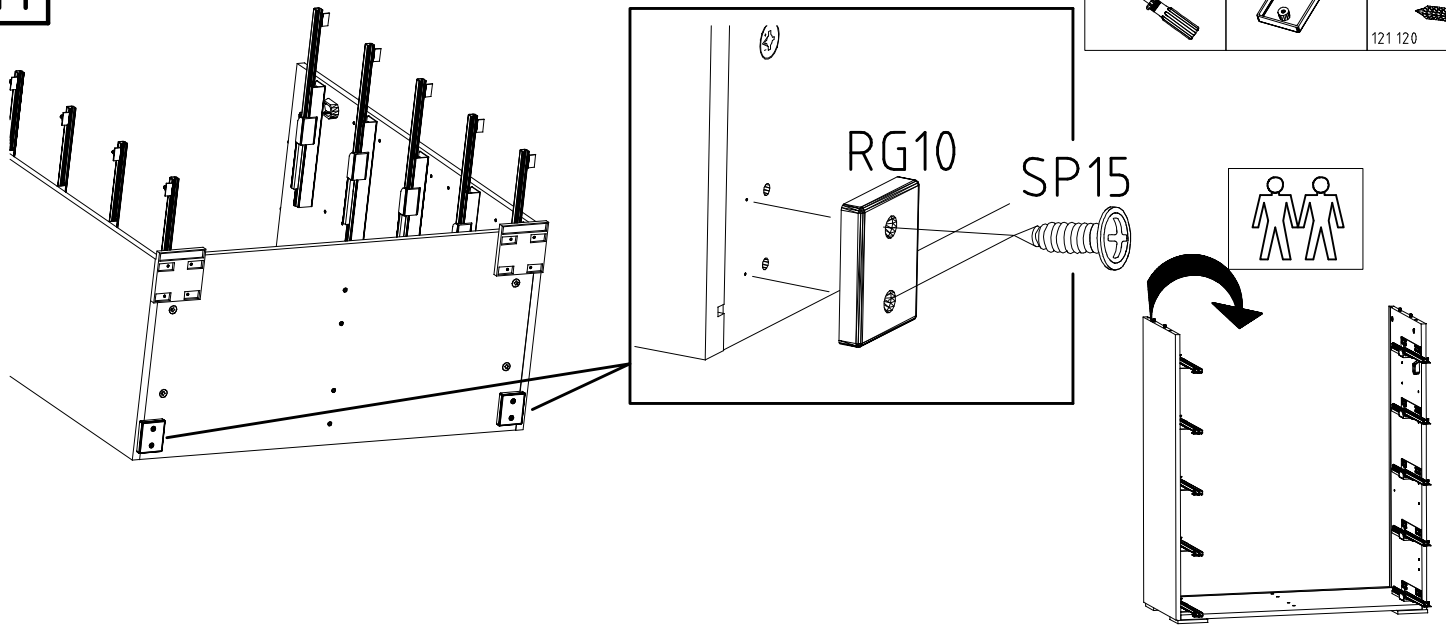
10



A + B

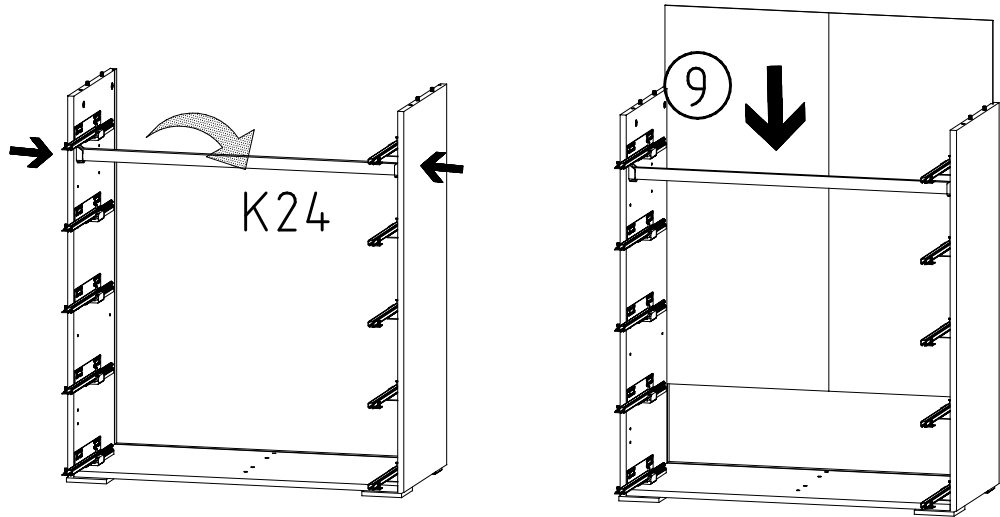


11

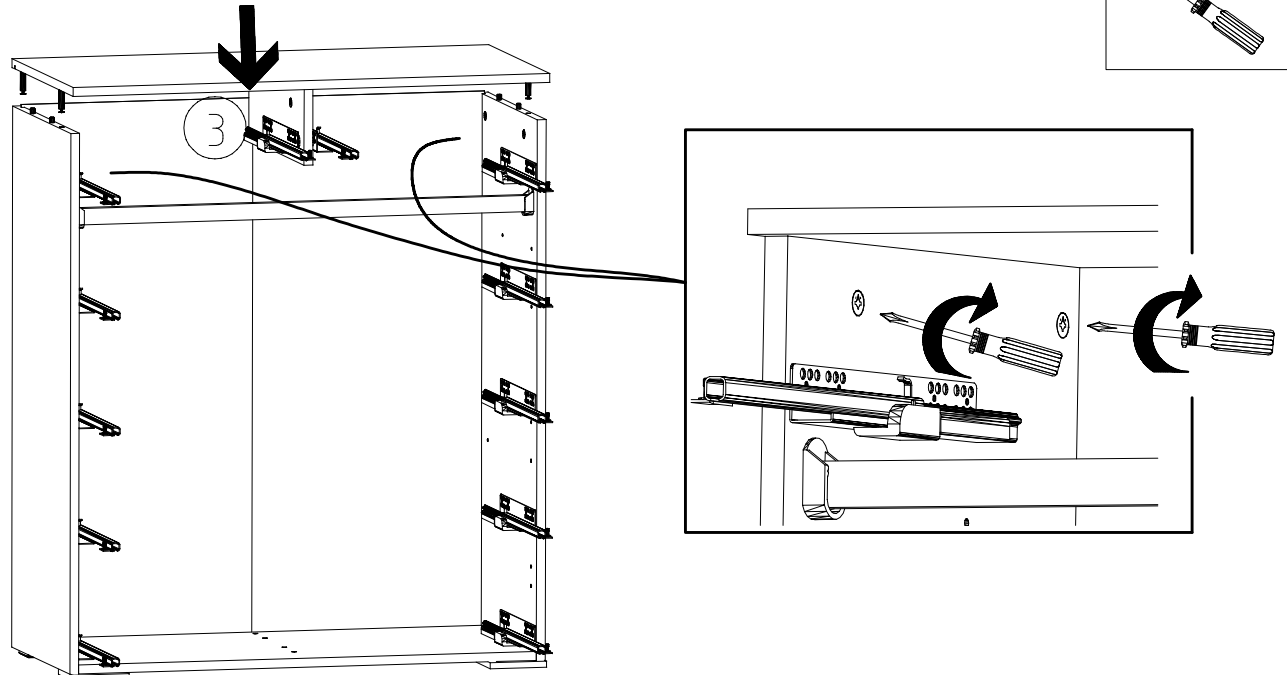
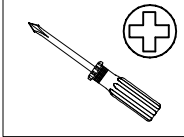


12

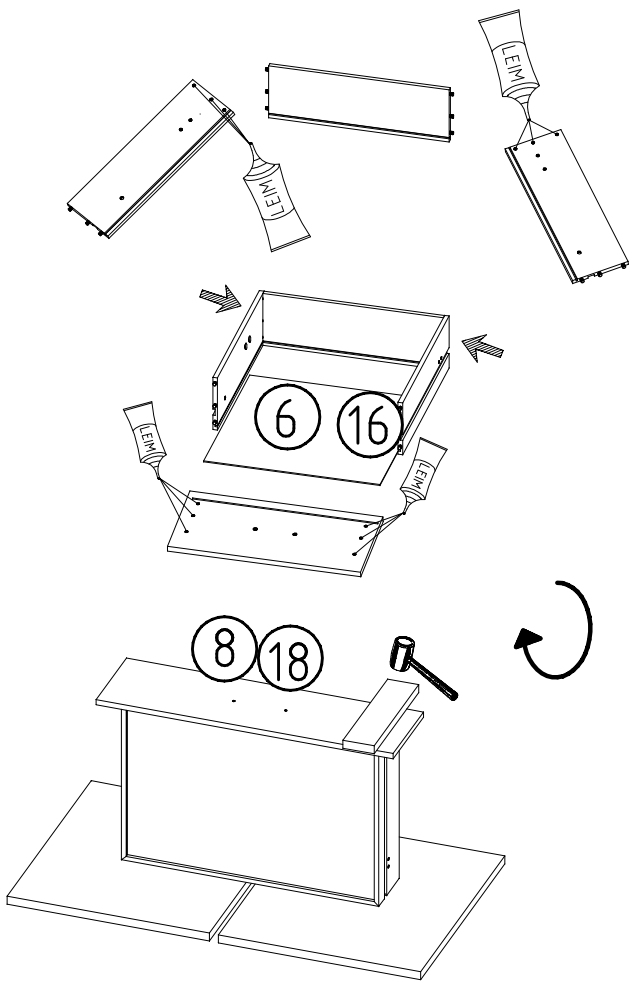
K24  
773mm  
112 406



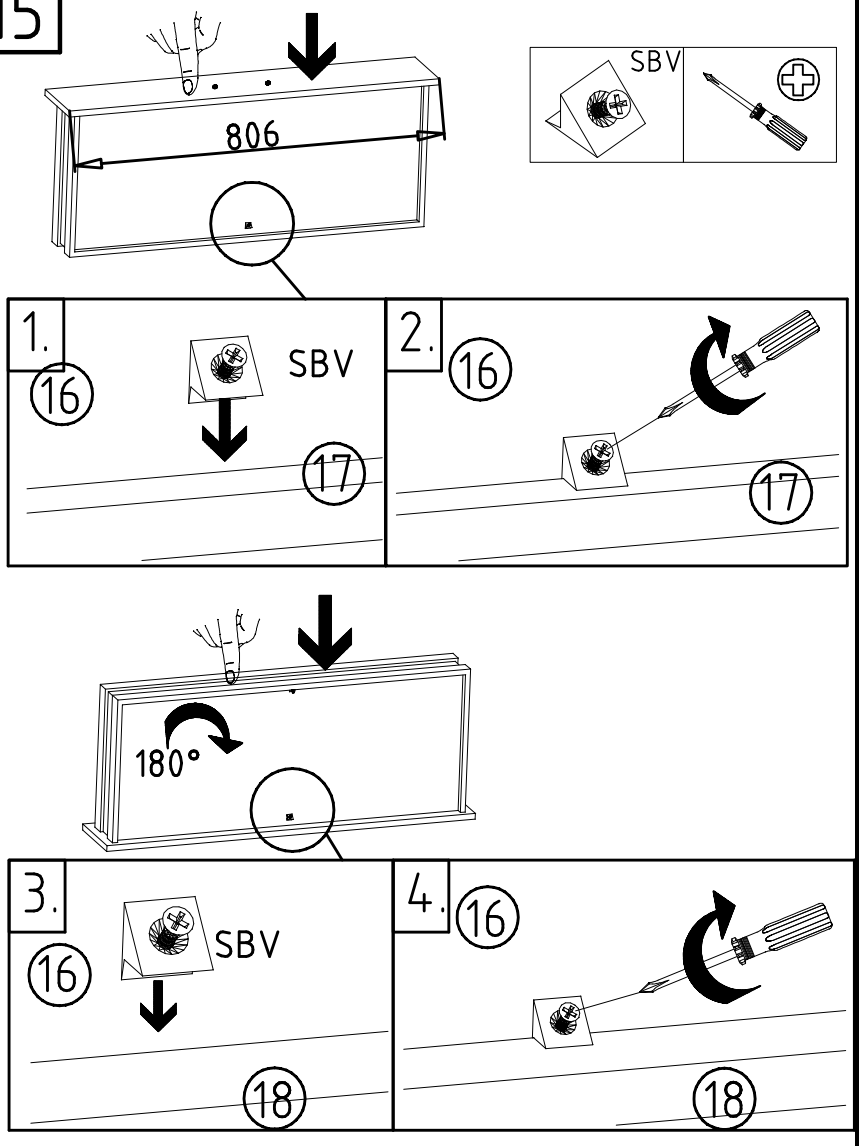
13



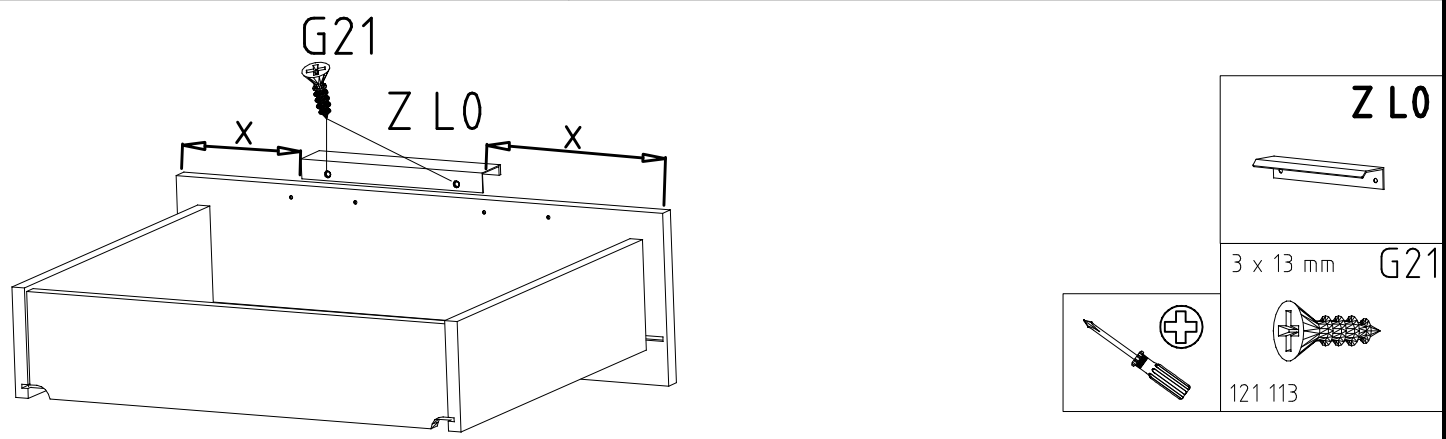
14



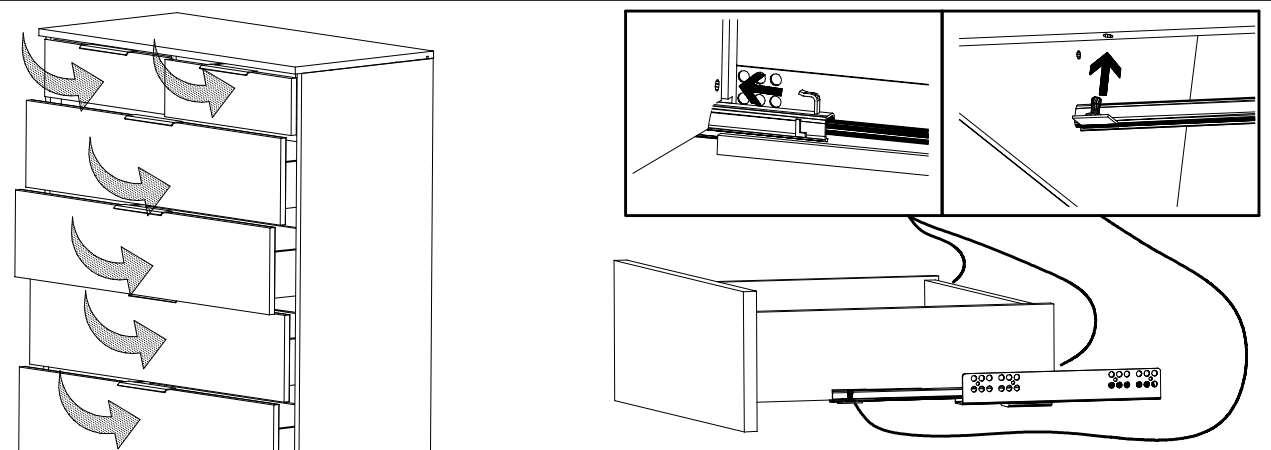
15



16



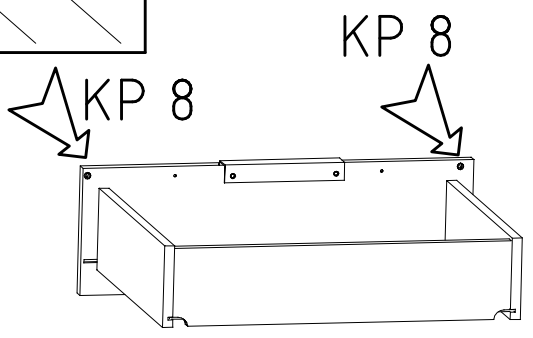
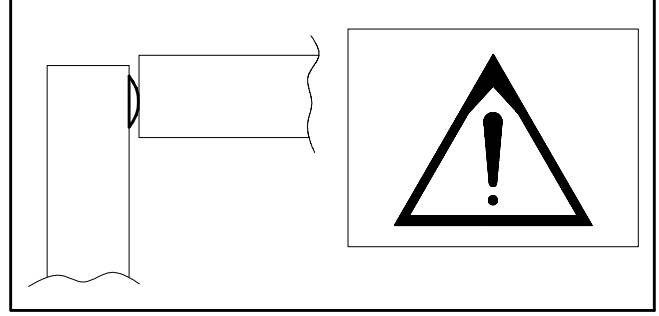
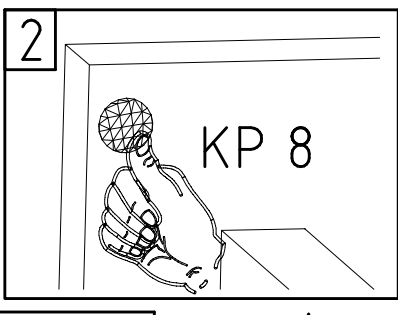
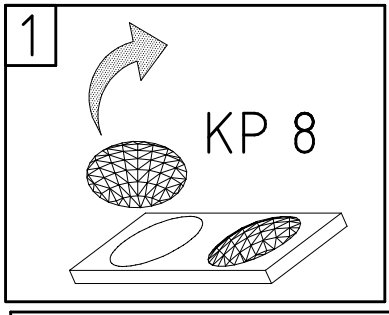
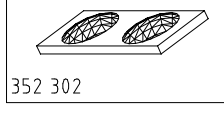
17





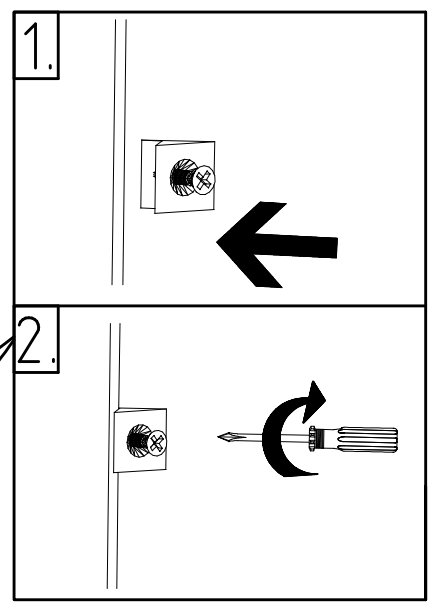
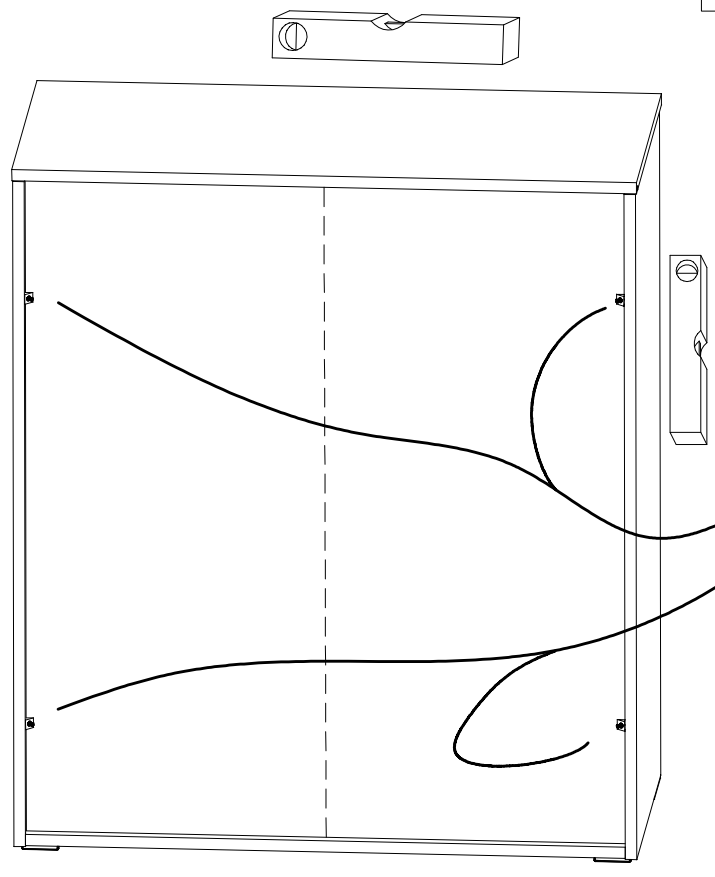
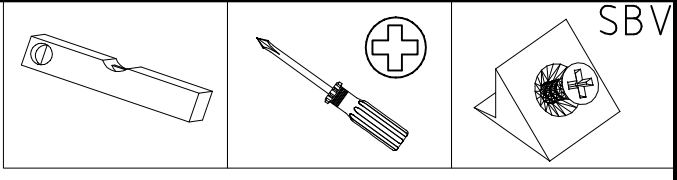
18

KP8



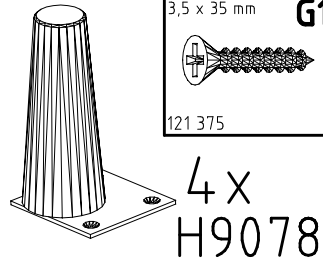
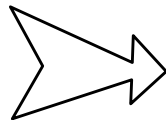
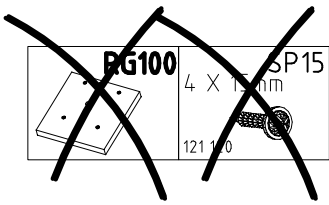
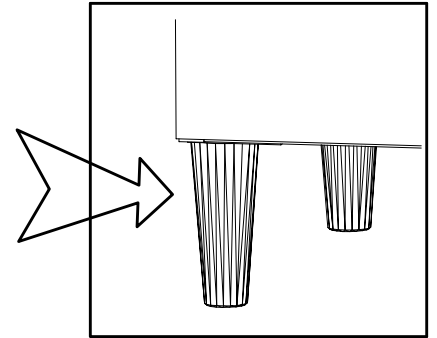
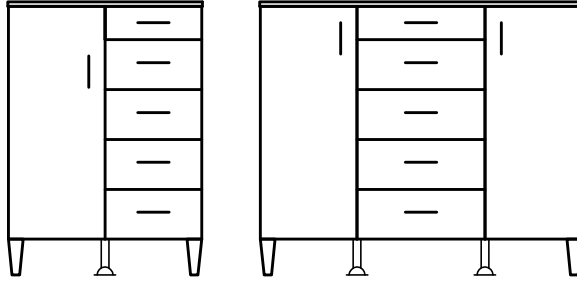
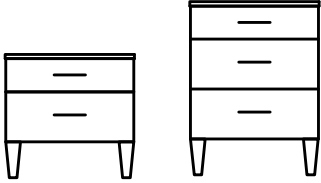
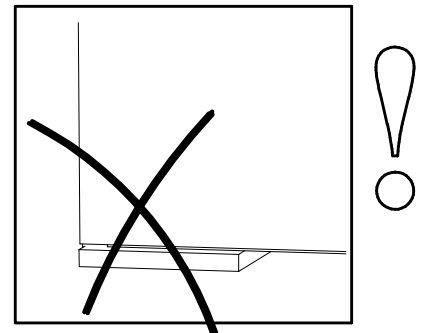
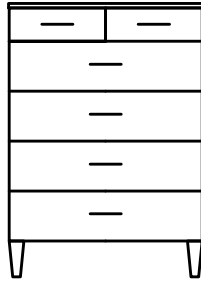
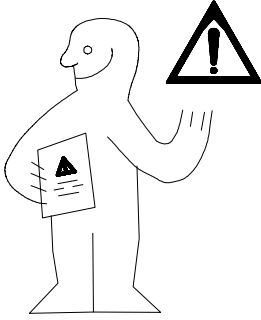
19

SBV



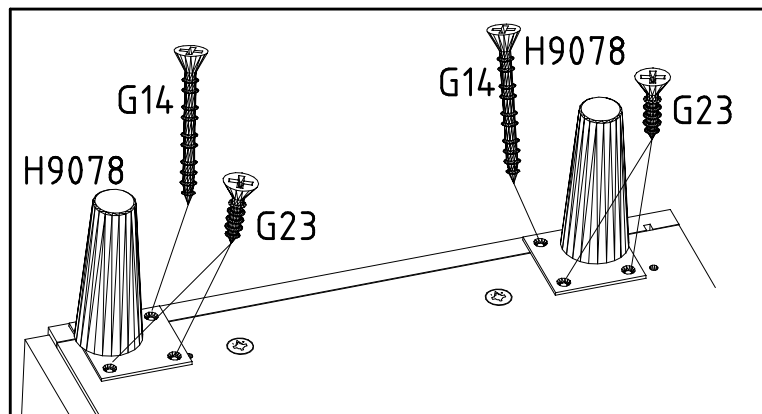
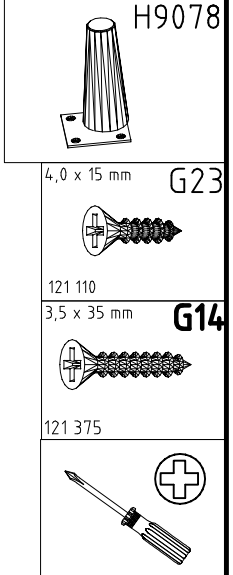
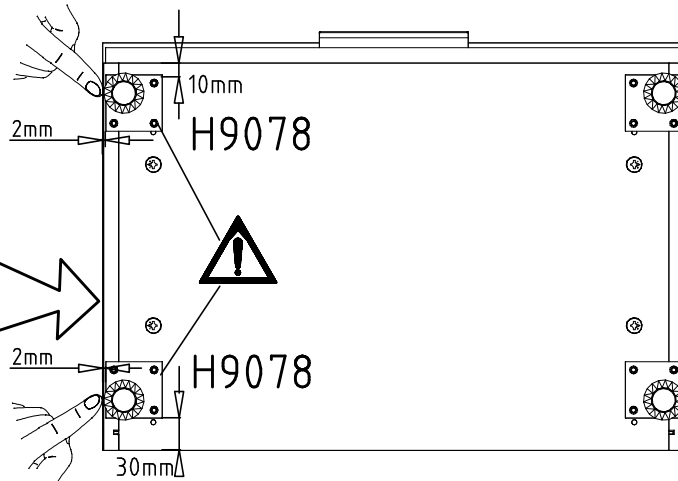
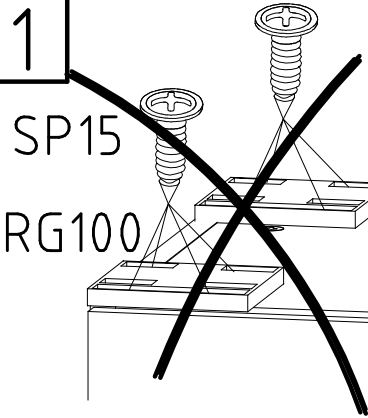
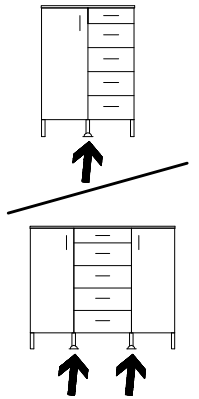


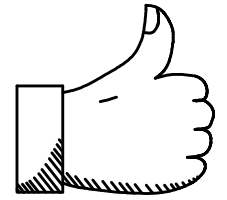
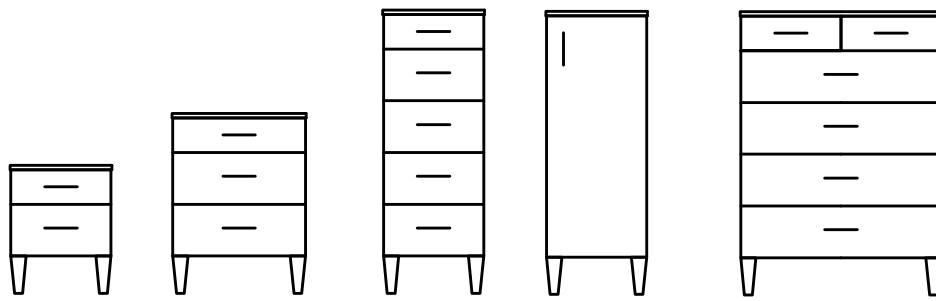
980517



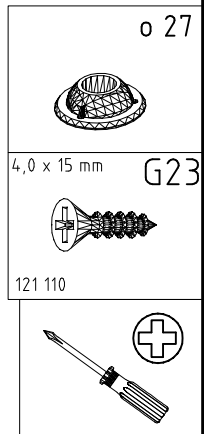
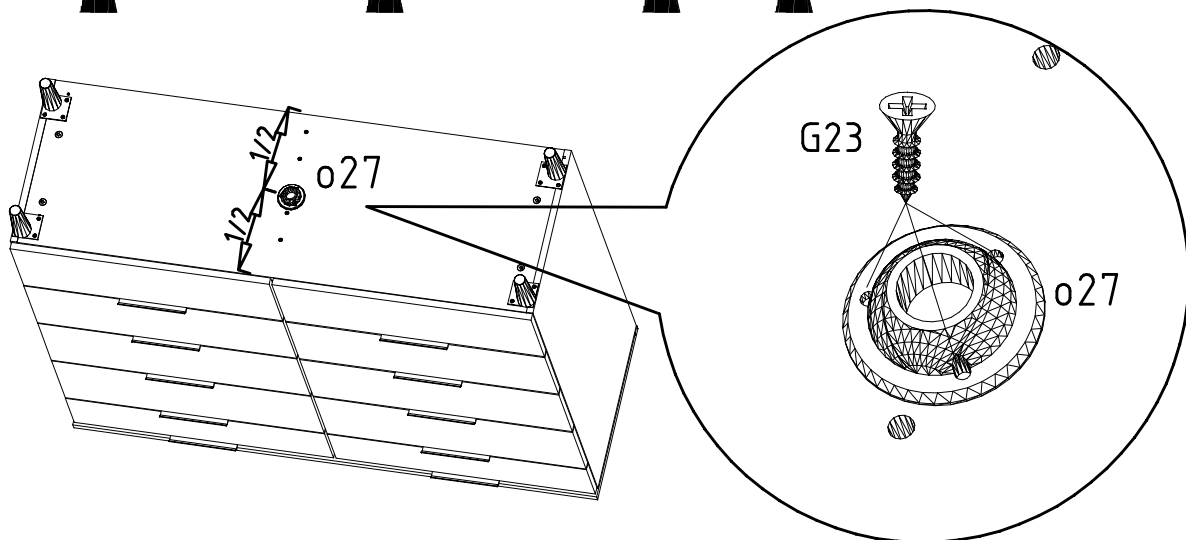
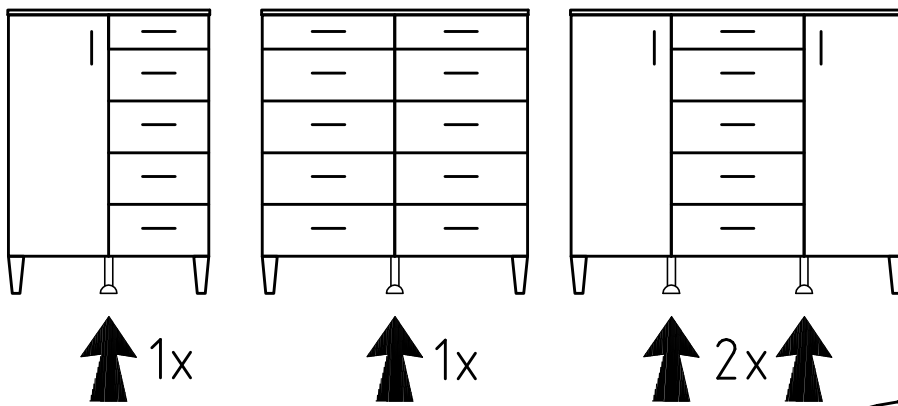
4,0 x 15 mm	G23	8x
121 110		
3,5 x 35 mm	G14	4x
121 375		

o 29	1x
100mm	2x
o 27	1x
	2x
4,0 x 15 mm	3x
G23	6x
121 110	





2



3

