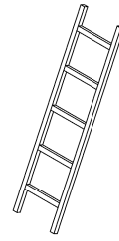
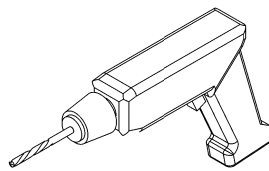
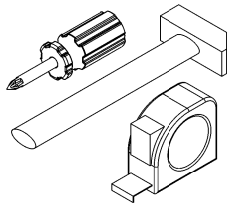
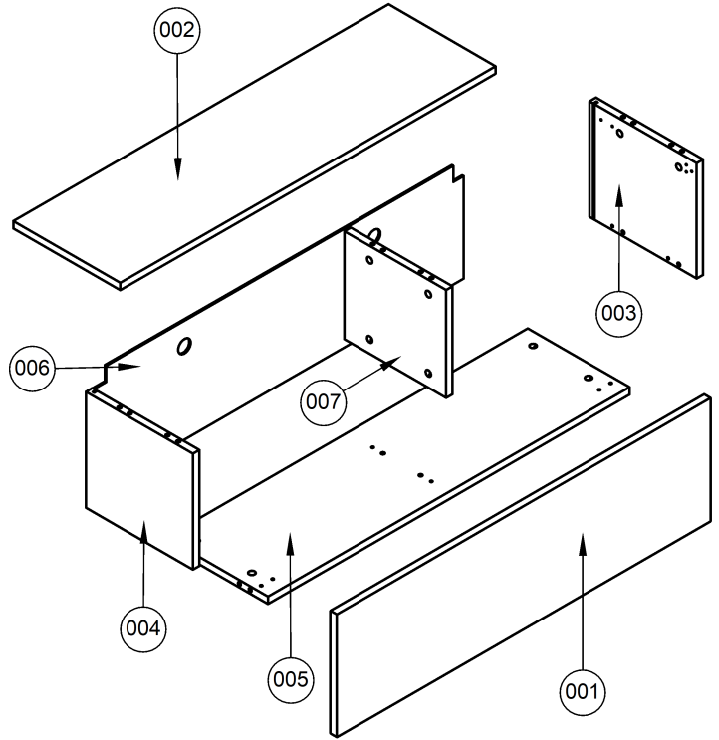
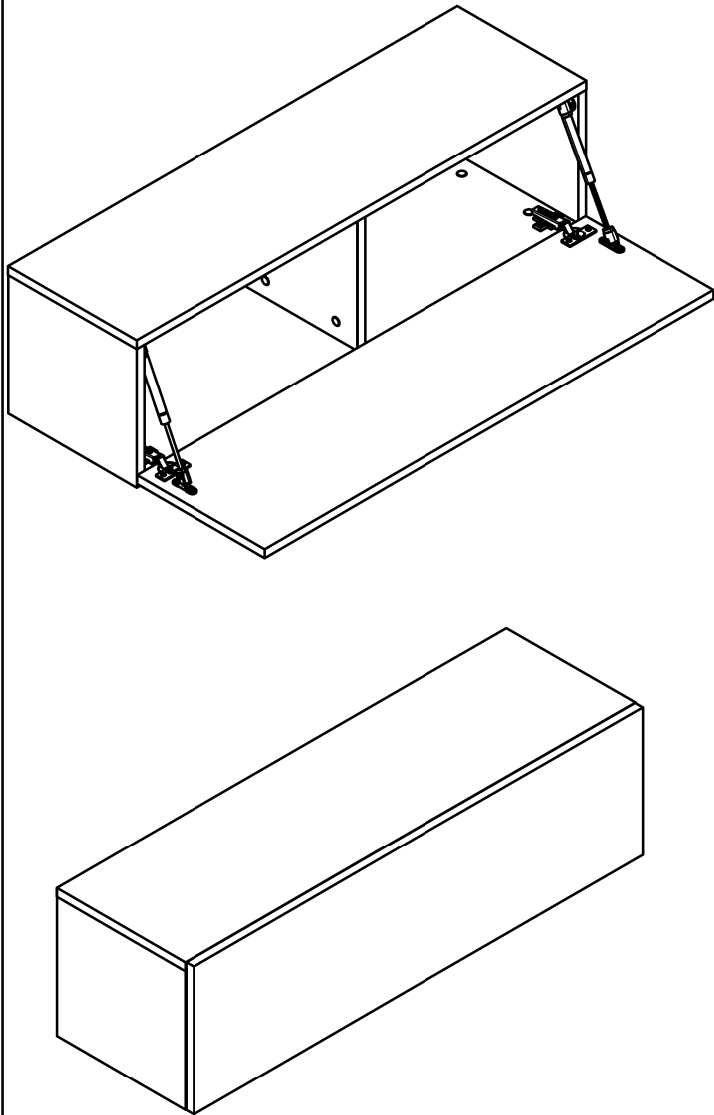


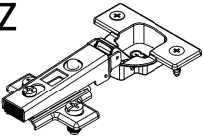

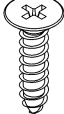
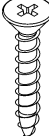
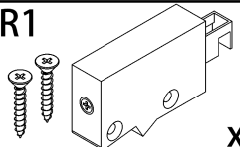
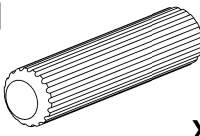
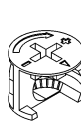
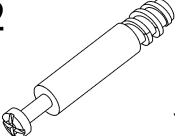
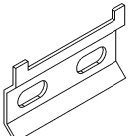
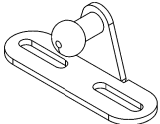
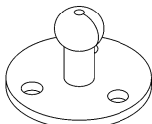
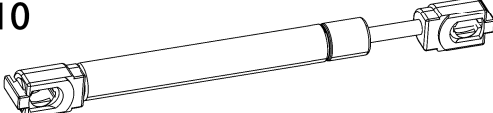
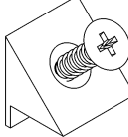
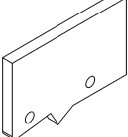
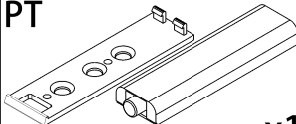

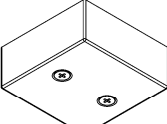
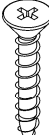
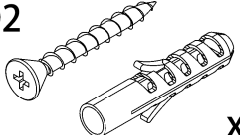
- 30 min.

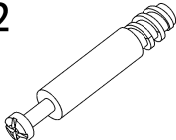
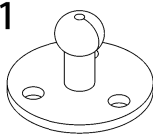
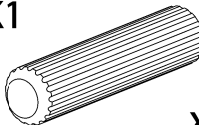




# RTV105

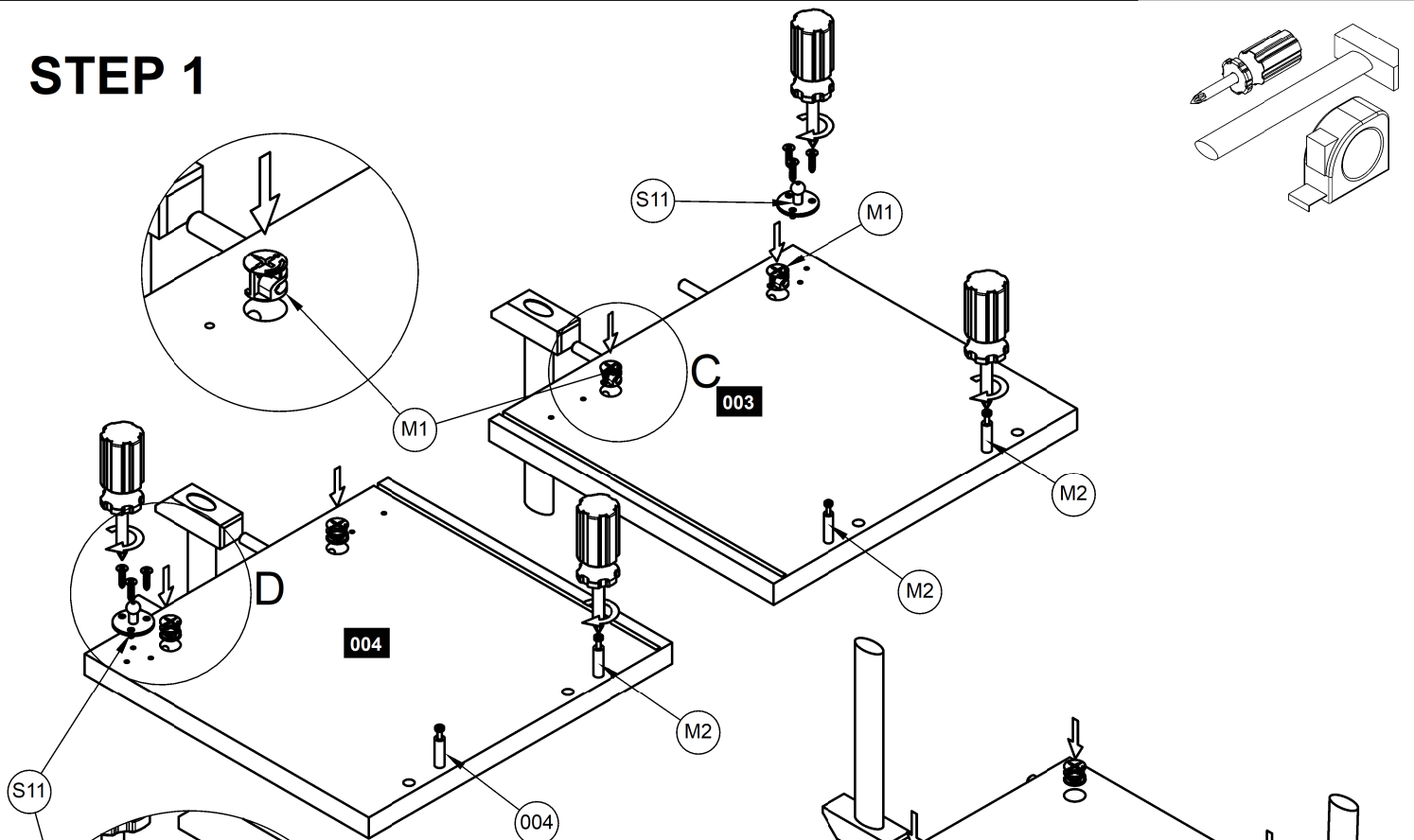


Number	Qty	Size A	Size B
002	1	1052	300,500
003	1	281	300
004	1	281	300
005	1	1015	286
006	1	289	1033
007	1	262,500	286
001	1	299	1049

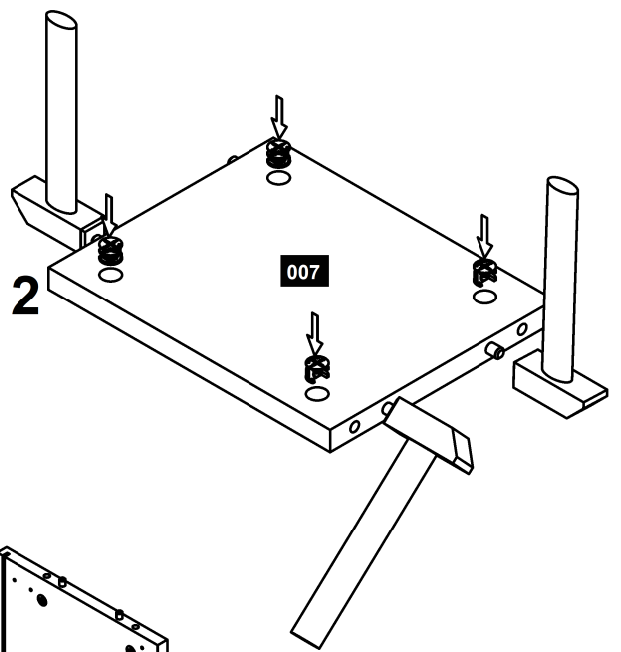
<b>ZZ</b>  x2	<b>M3</b>  x12	<b>WS1</b>  3,5x16 x20	<b>WS3</b>  4x30 x10	<b>ZR1</b>  x2
<b>K1</b>  x12	<b>M1</b>  x12	<b>M2</b>  x12	<b>SZ</b>  x2	<b>S12</b>  x2
<b>S11</b>  x2	<b>S10</b>  x2		<b>ST1</b>  x6	<b>D1</b>  x2
<b>PT</b>  x1	<b>RZ</b>  x2	<b>S6</b>  x5	<b>WS4</b>  4x35 x4	<b>D2</b>  x8

<b>M2</b>  <b>X12</b>	<b>S11</b>  <b>x2</b>	<b>K1</b>  <b>x12</b>	<b>WS1</b>  <b>3,5x16</b> <b>x20</b>	<b>M1</b>  <b>x12</b>
--	---	---	---	---

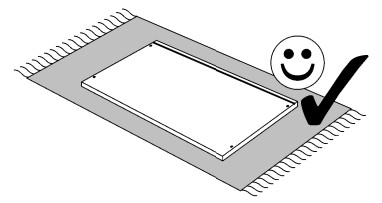
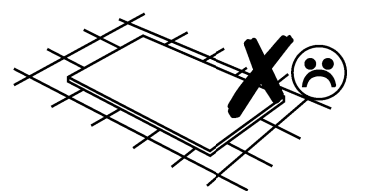
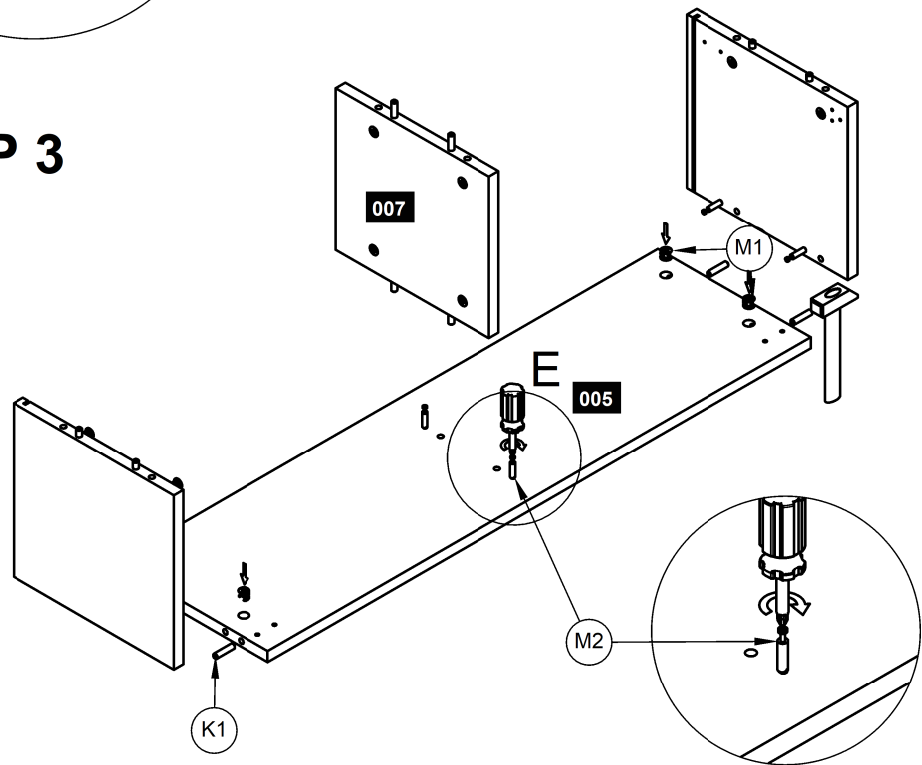
# STEP 1



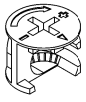
# STEP 2



# STEP 3

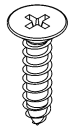


M1



x12

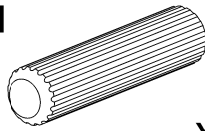
WS1



3,5x16

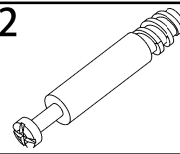
x16

K1



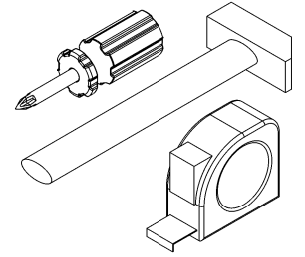
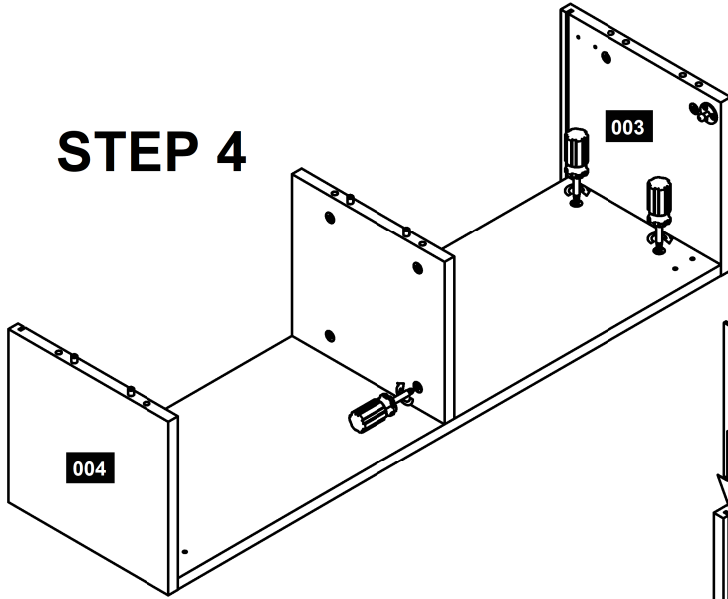
x12

M2

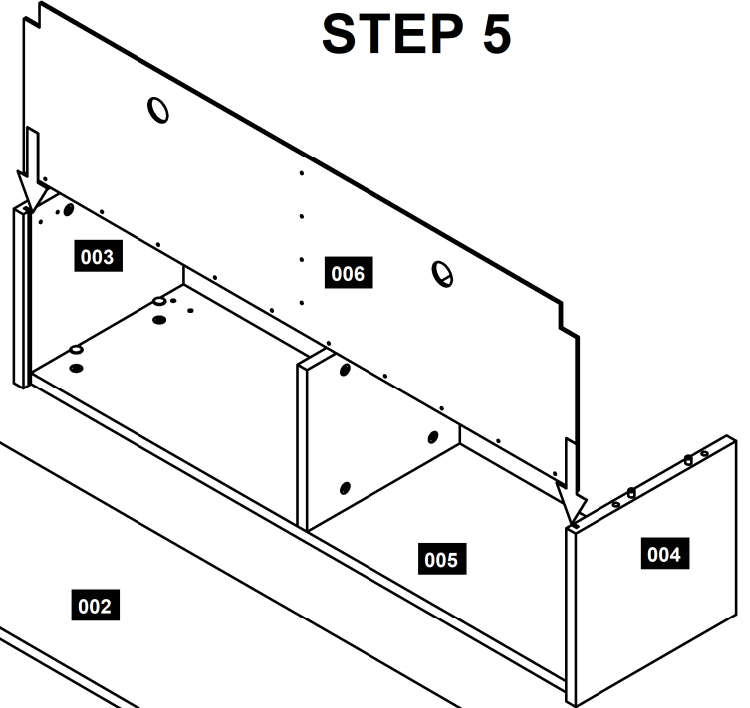


x12

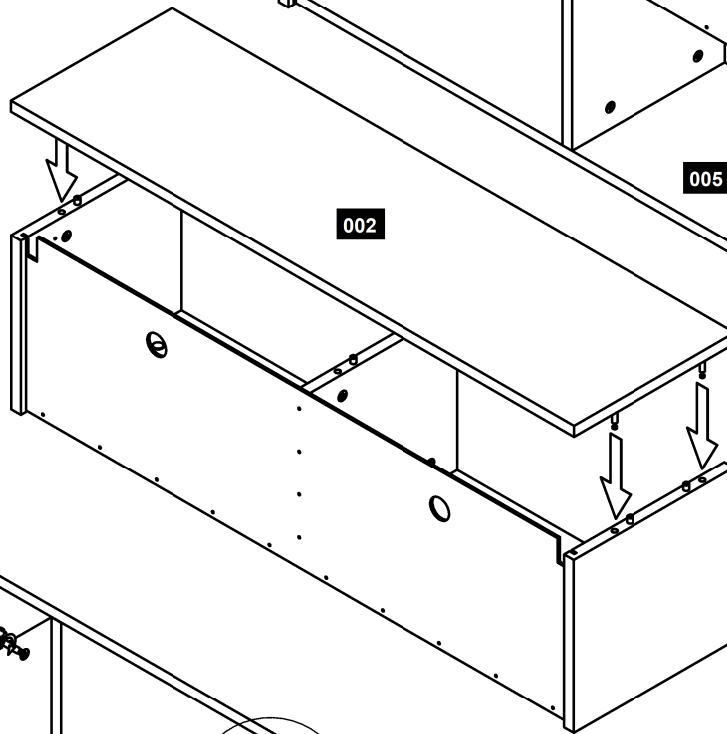
### STEP 4



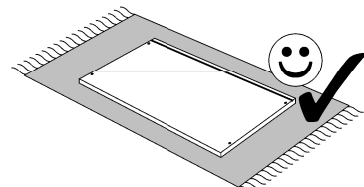
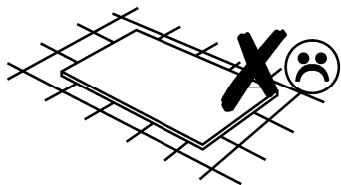
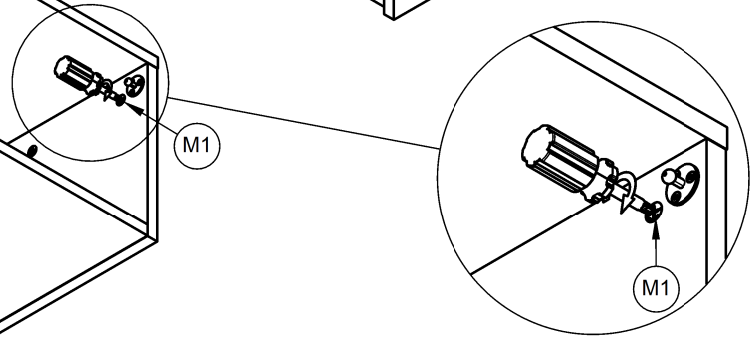
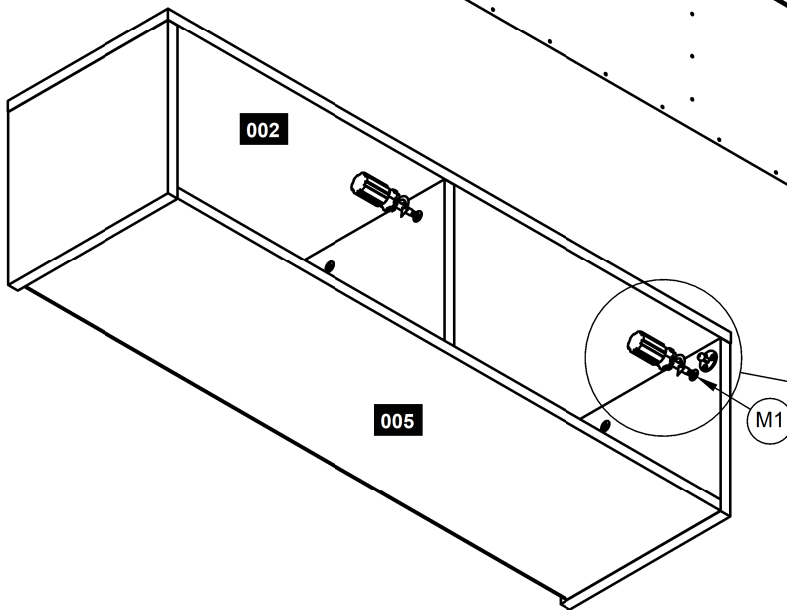
### STEP 5



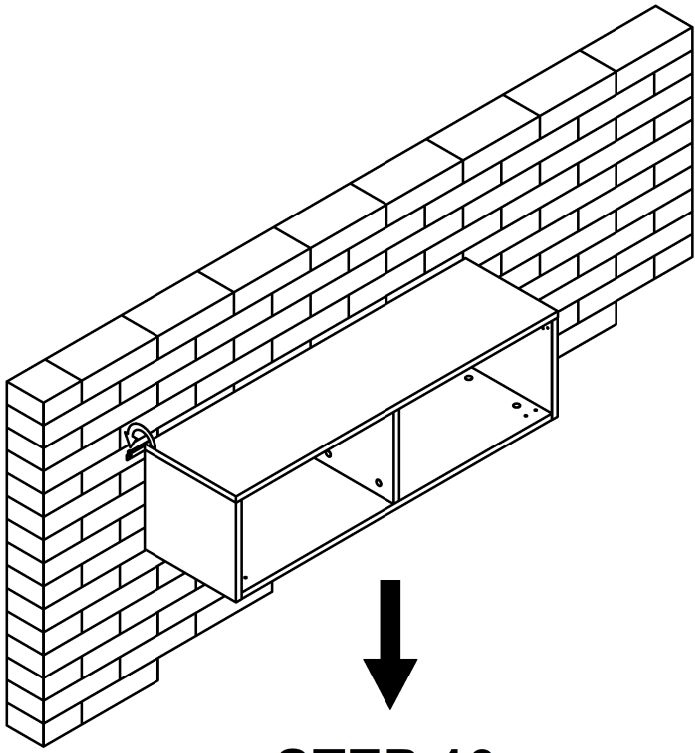
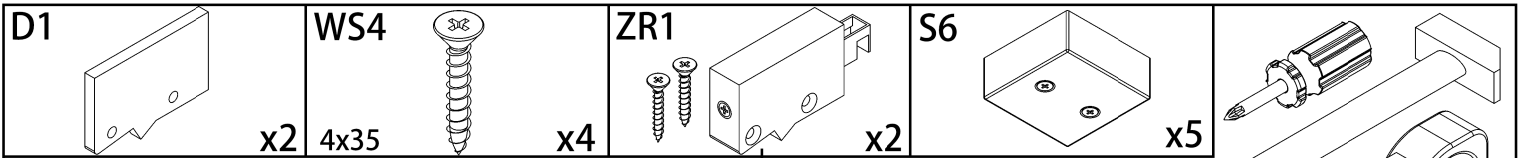
### STEP 6



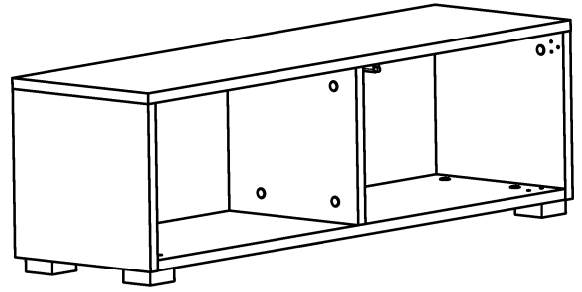
### STEP 7





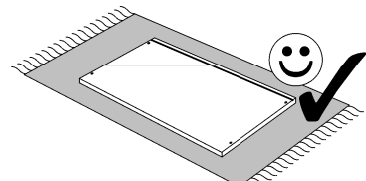
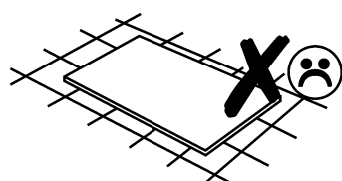
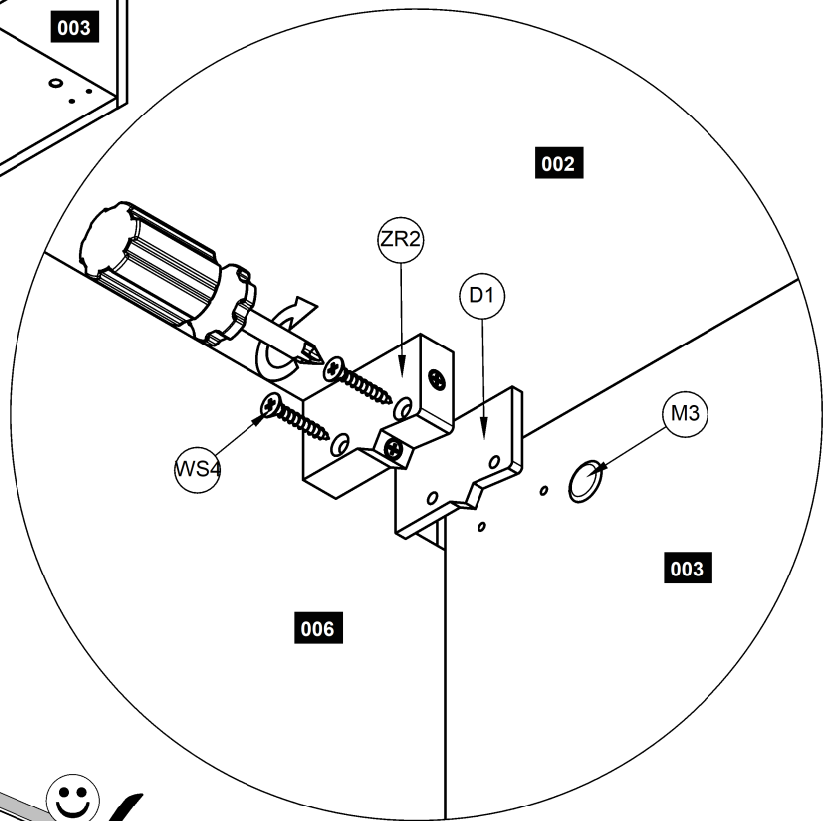
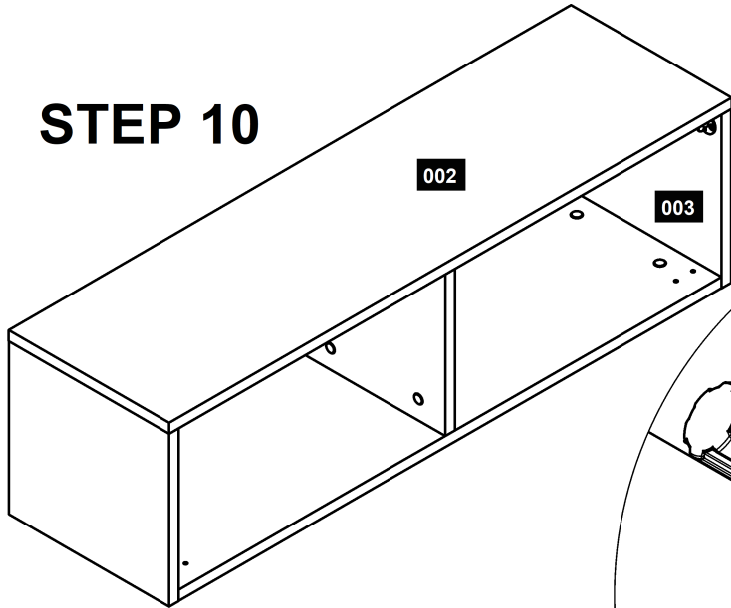


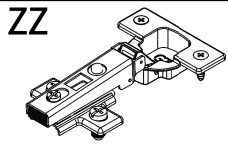
**STEP 10**



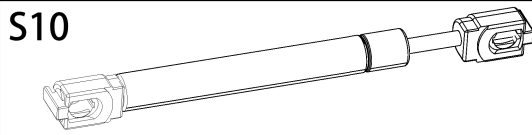
**STEP 17**

**STEP 10**

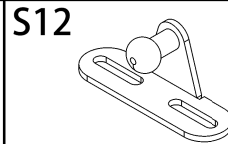




x2



x2

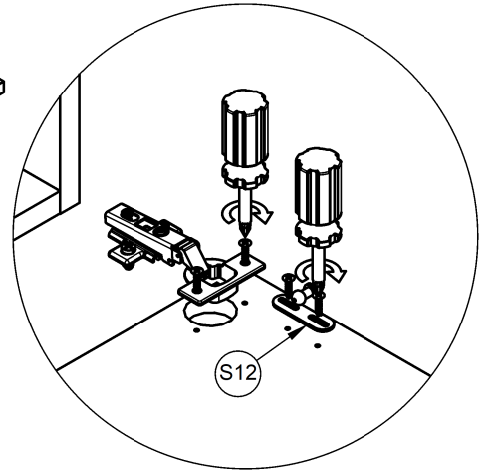
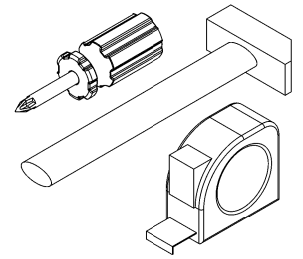
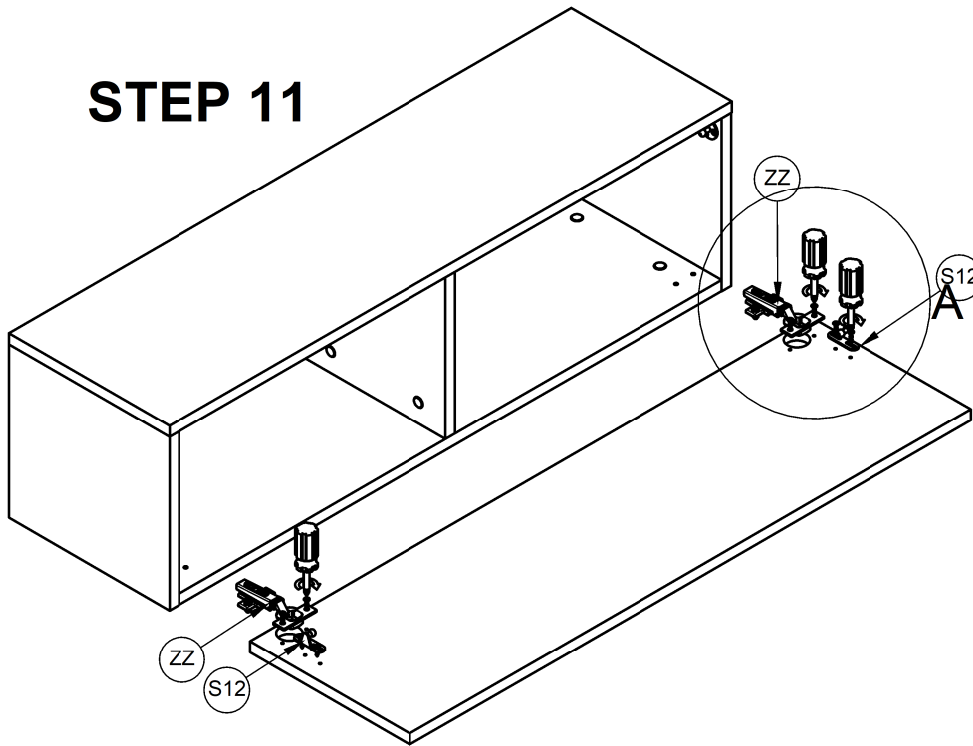


x2

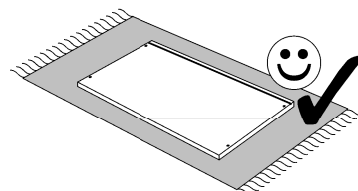
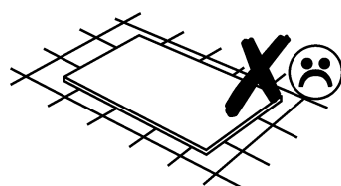
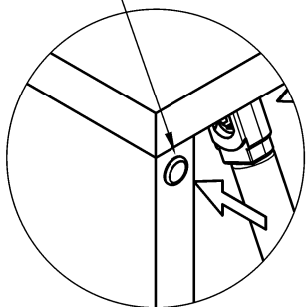
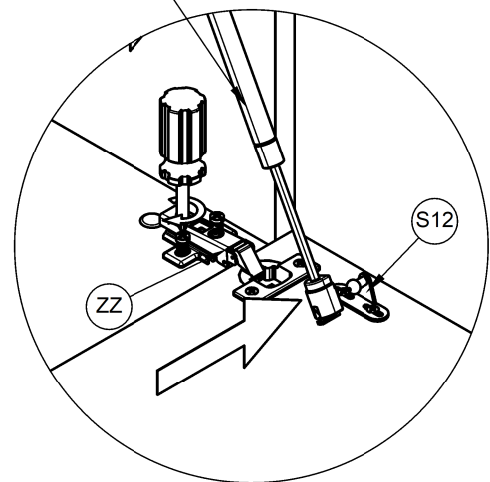
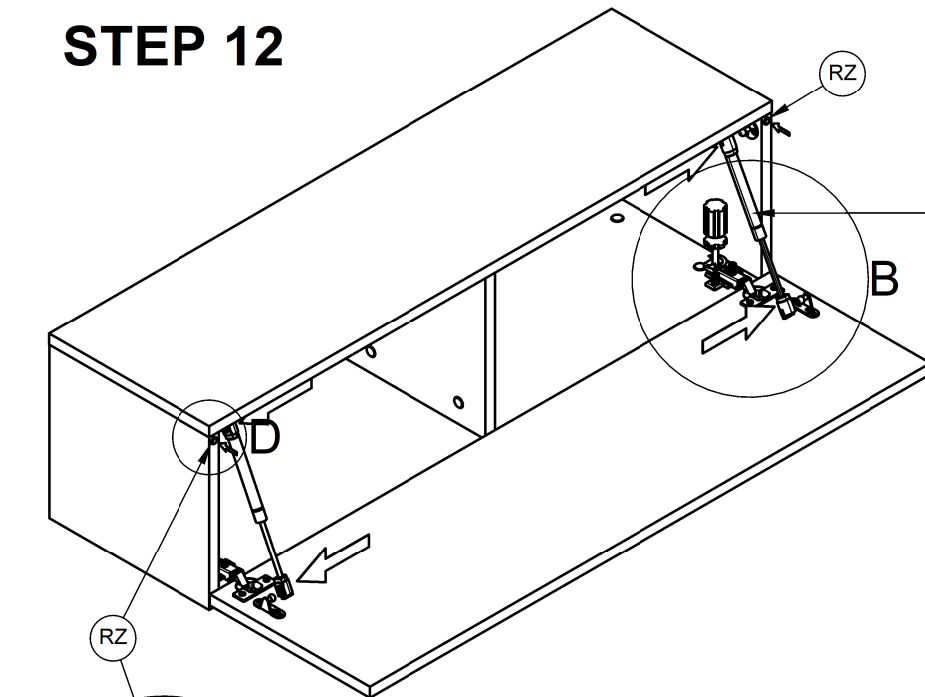


x2

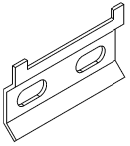
# STEP 11



# STEP 12

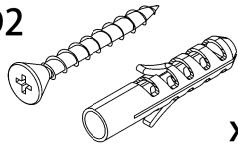


SZ

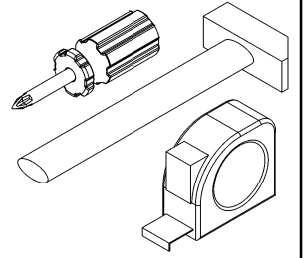
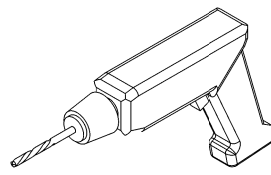


x2

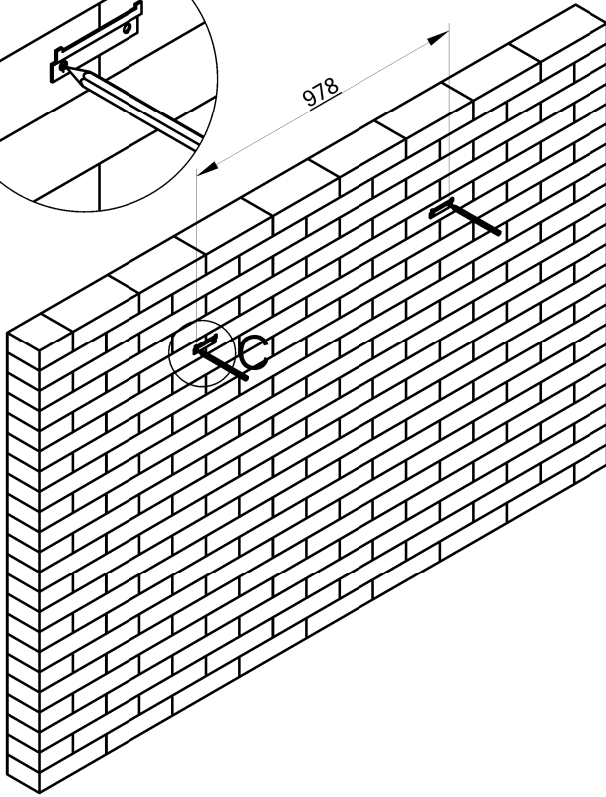
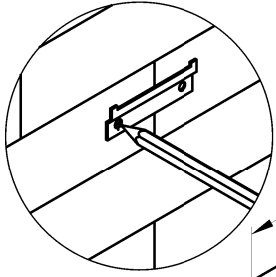
D2



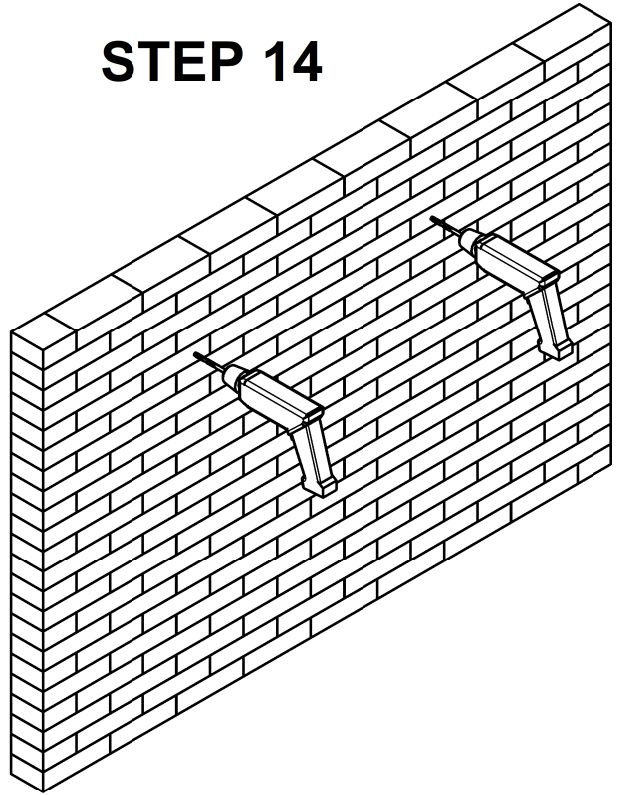
x6



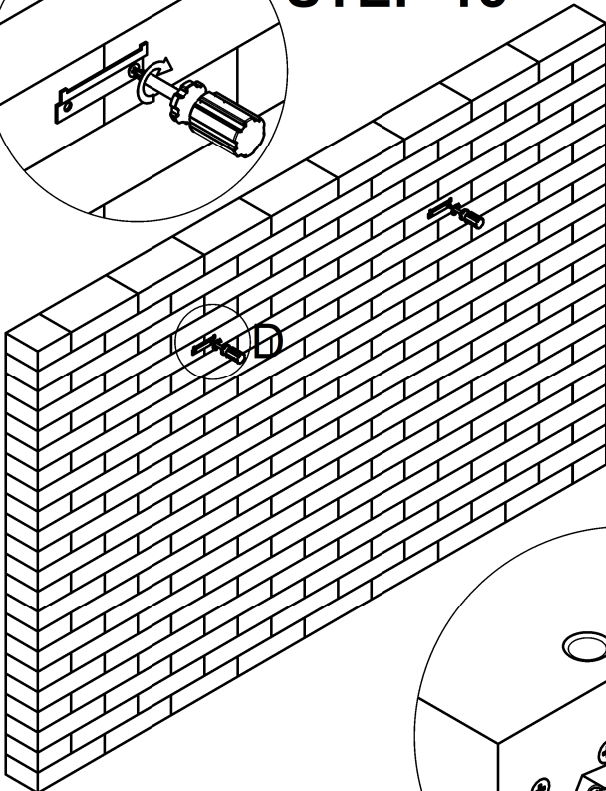
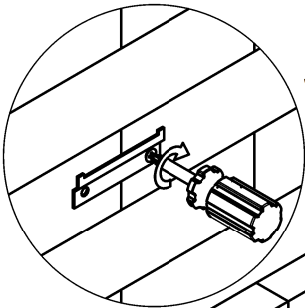
### STEP 13



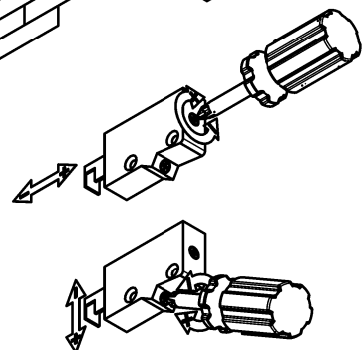
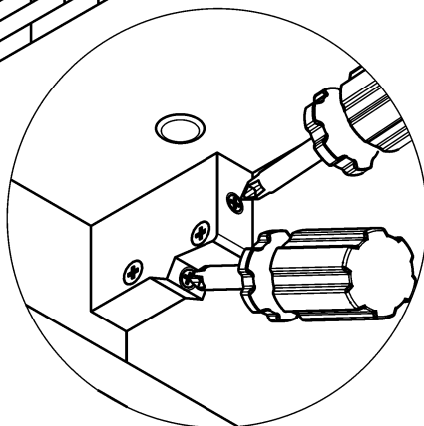
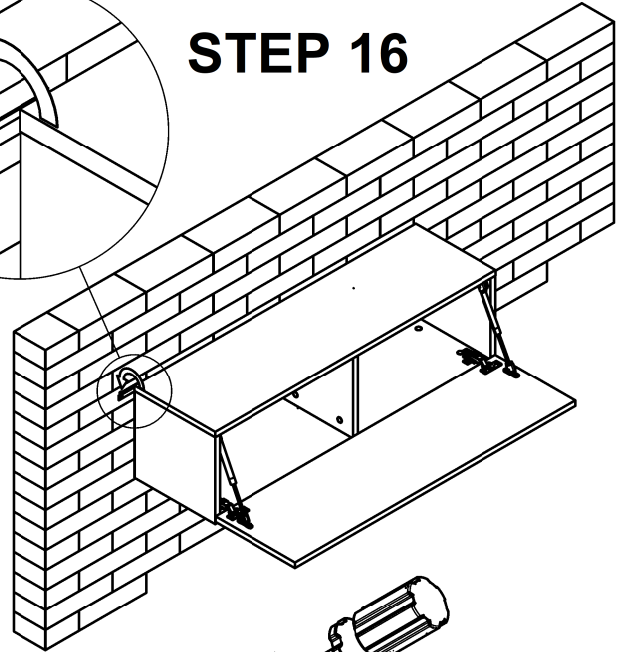
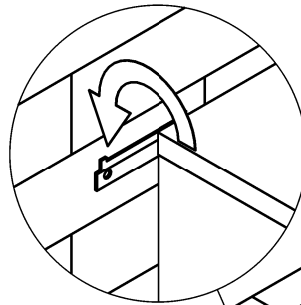
### STEP 14

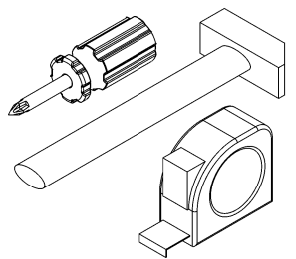
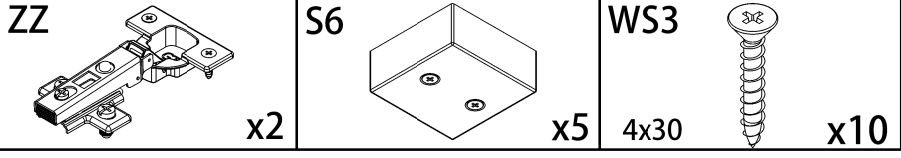


### STEP 15

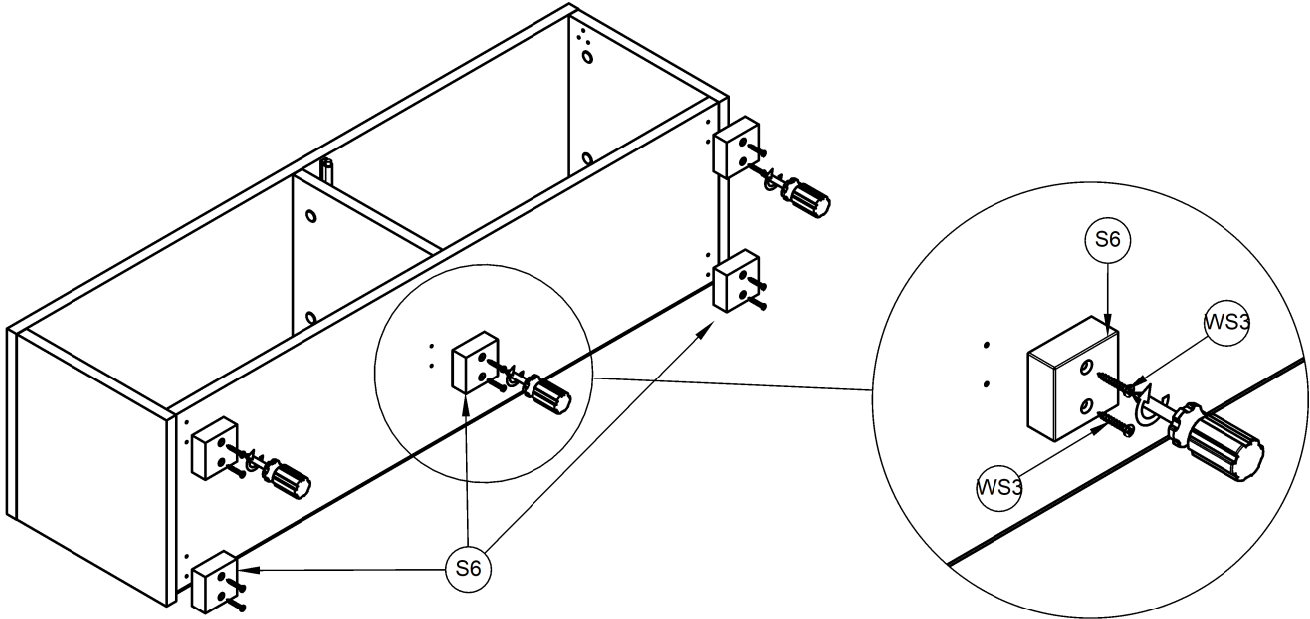


### STEP 16





# STEP 17



# ← STEP 11

