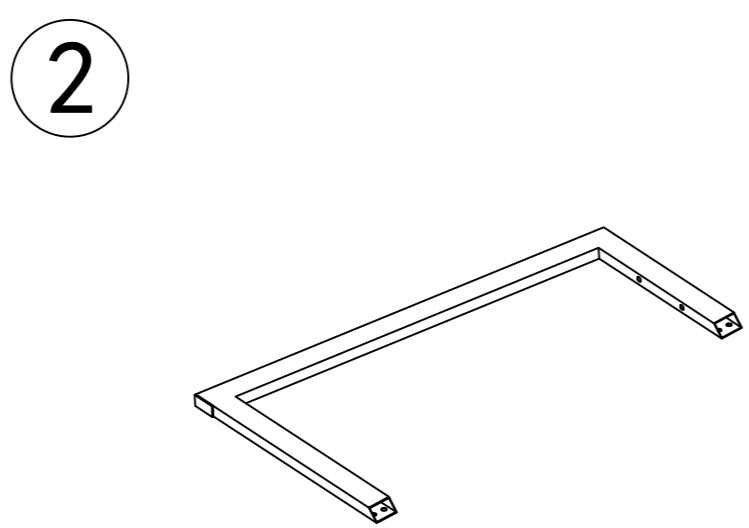
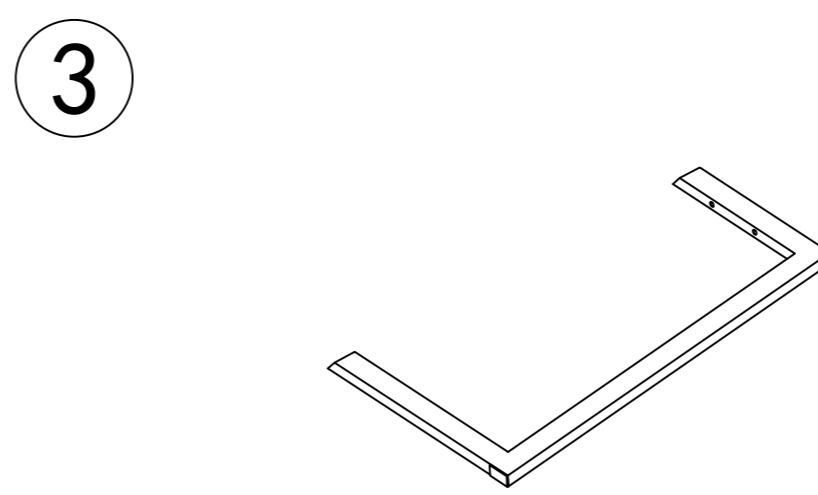


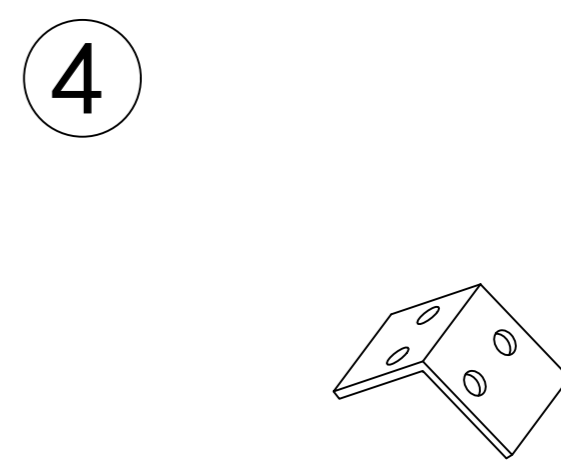
x1



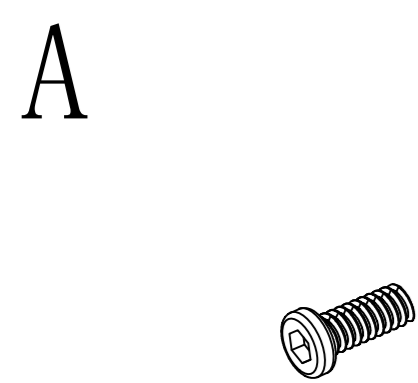
x2



x2

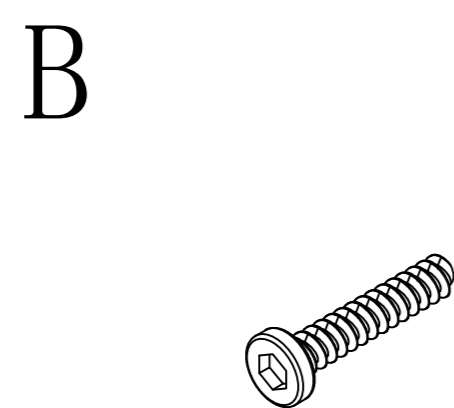


x4

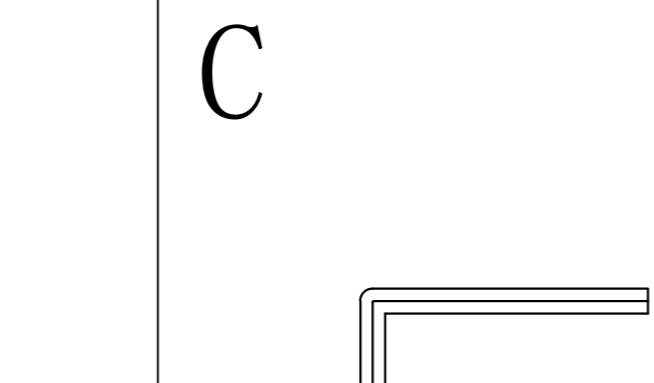


M6x13

x16



M8\*55



X8 M5

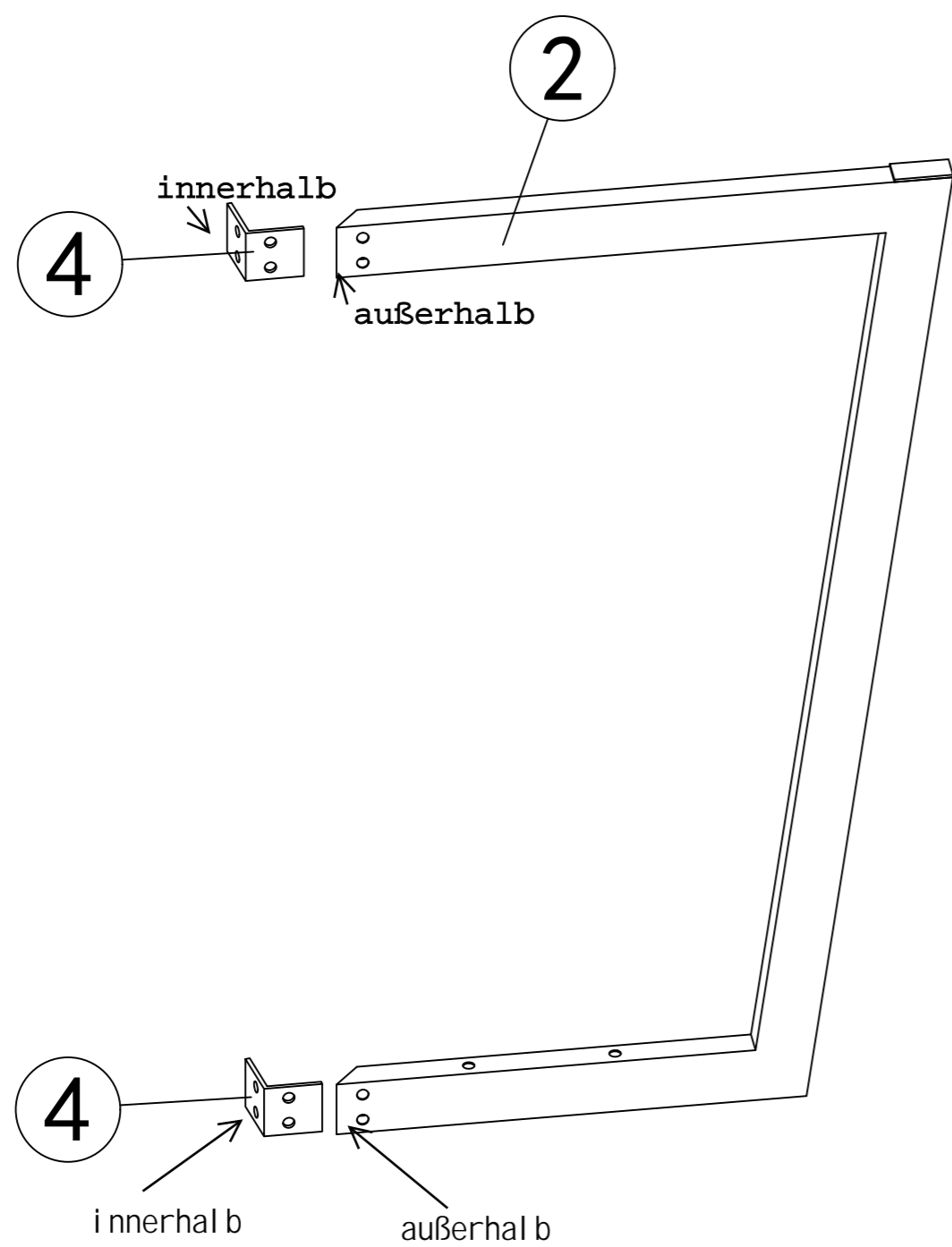
x1

D

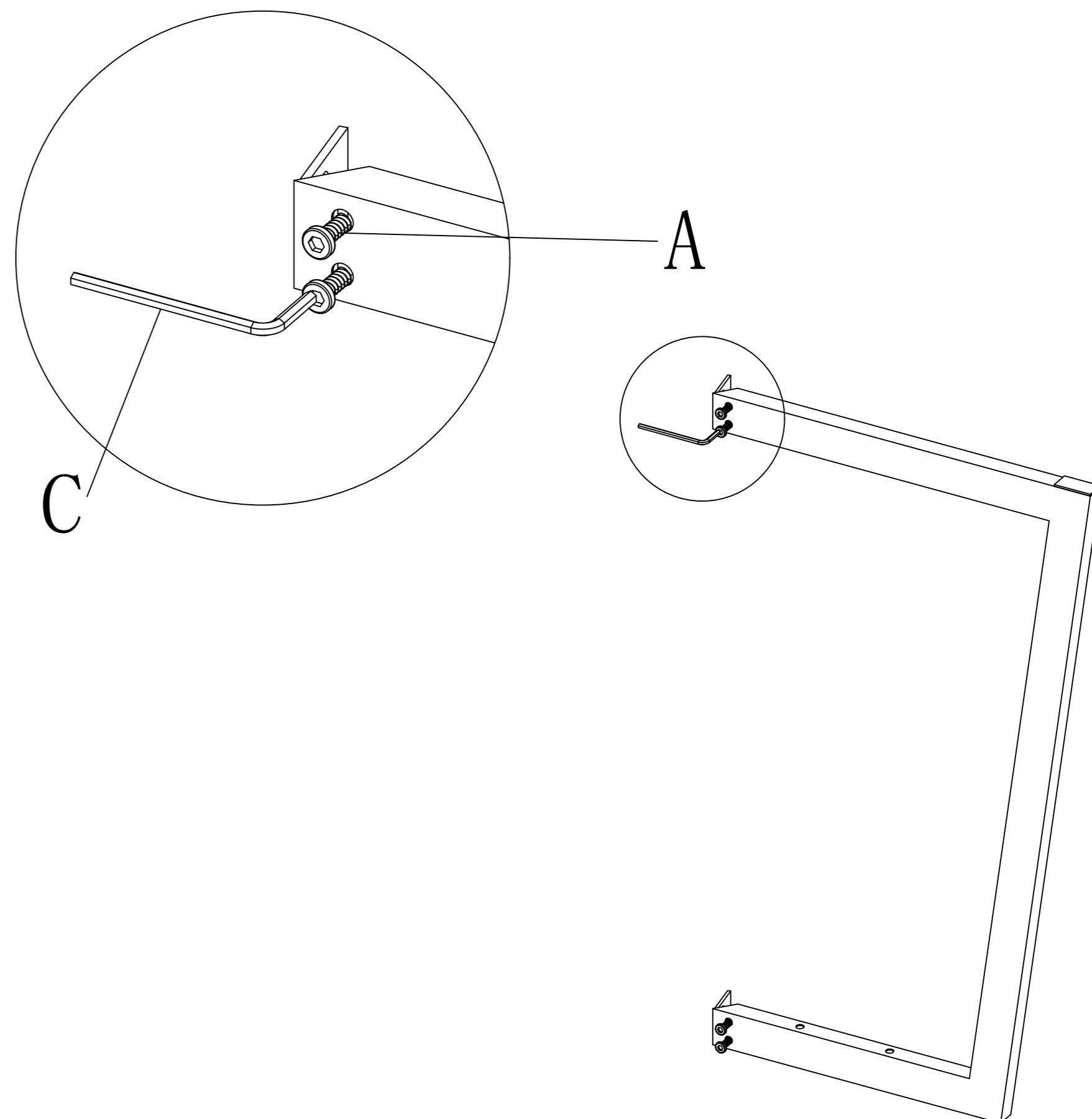
E

F

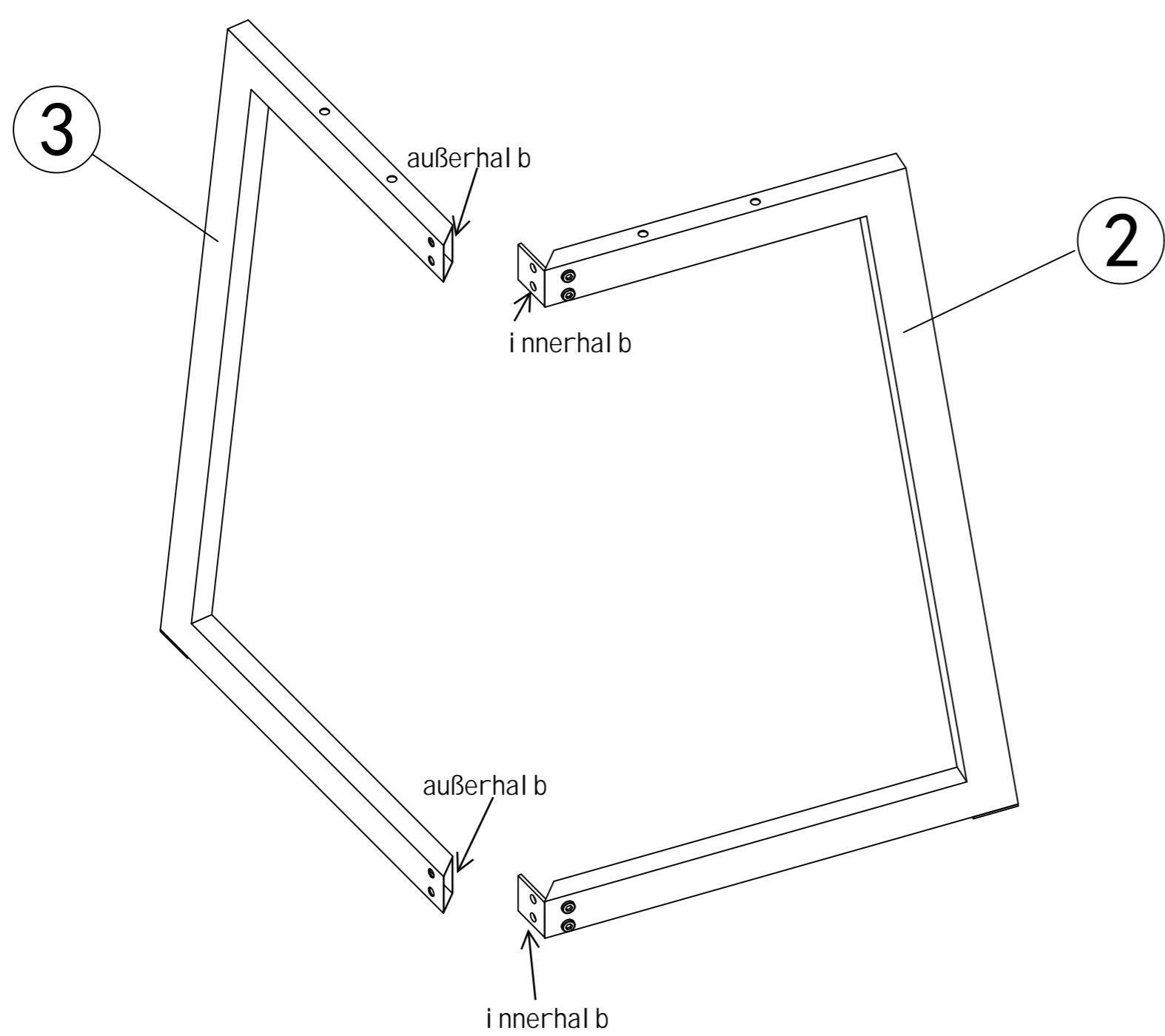
### STEP 1



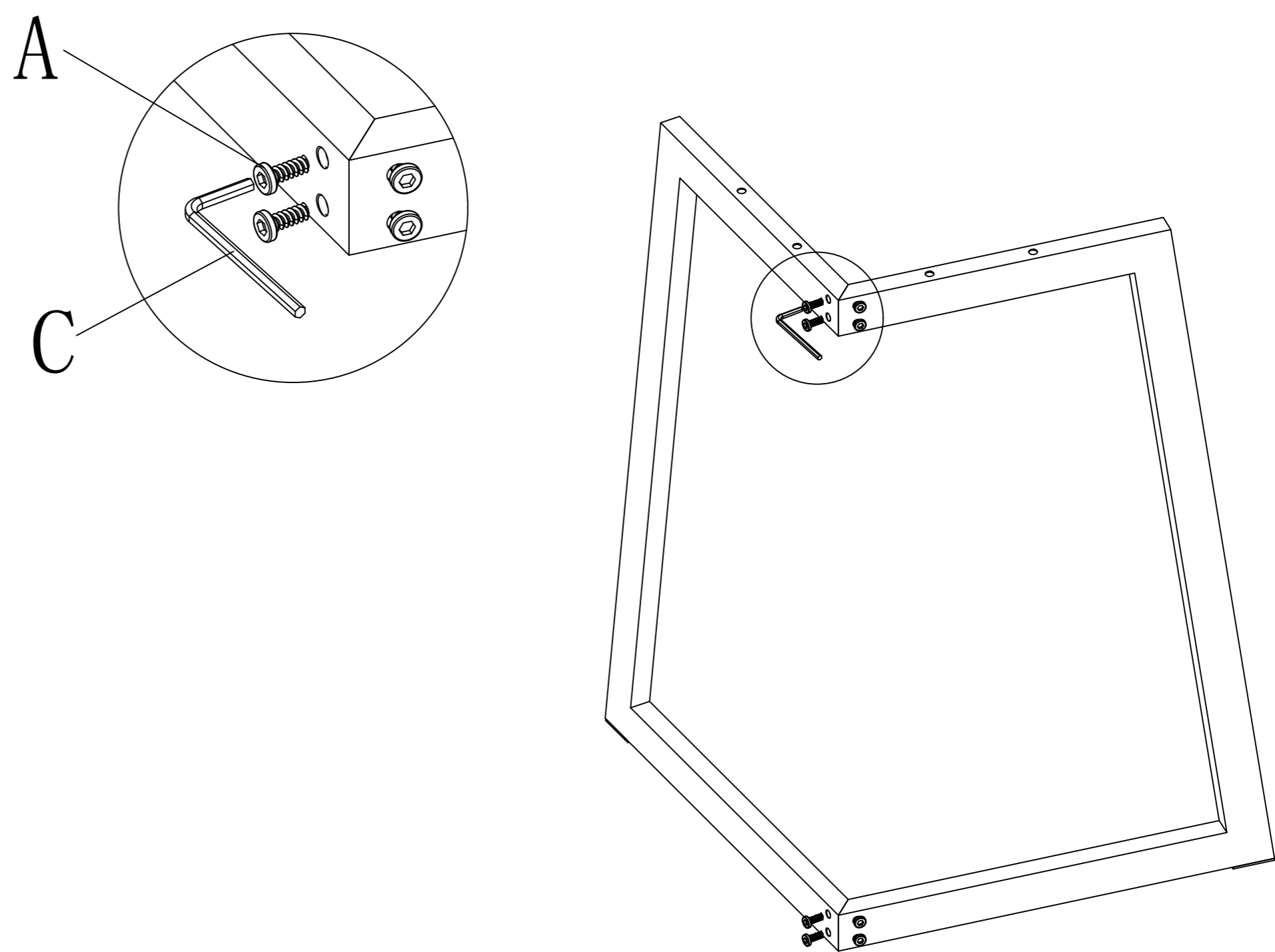
### STEP 2



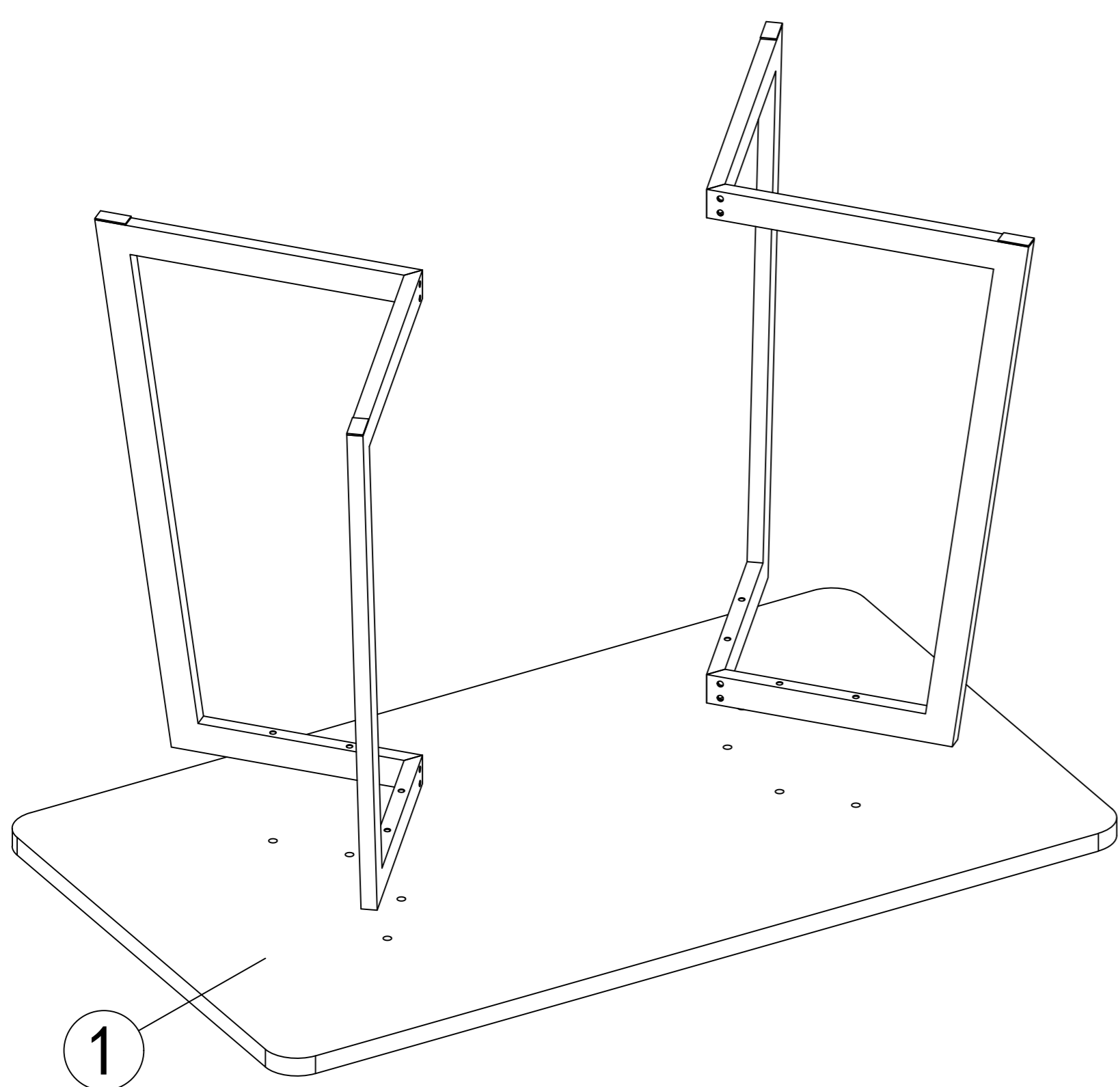
### STEP 3



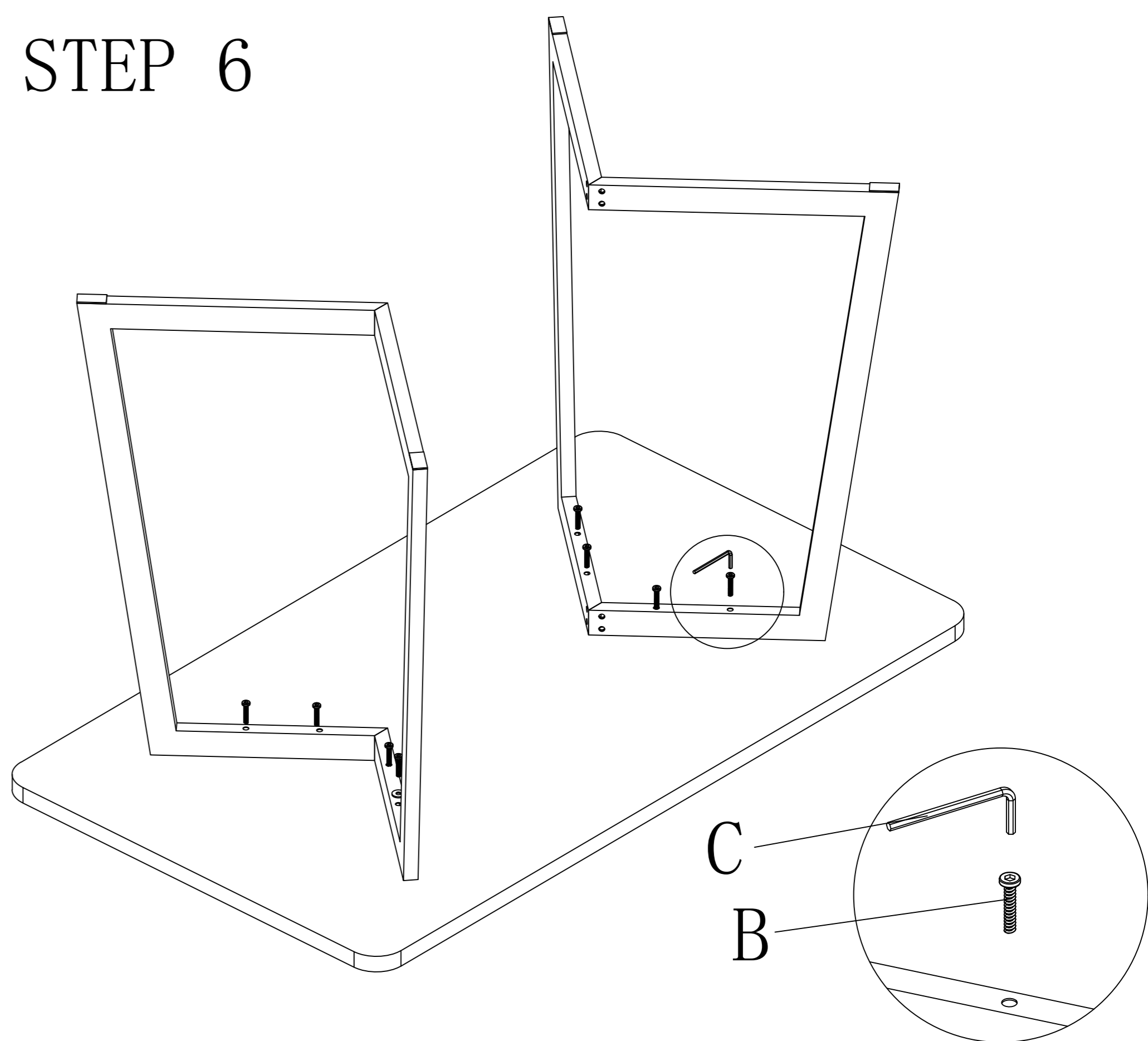
### STEP 4



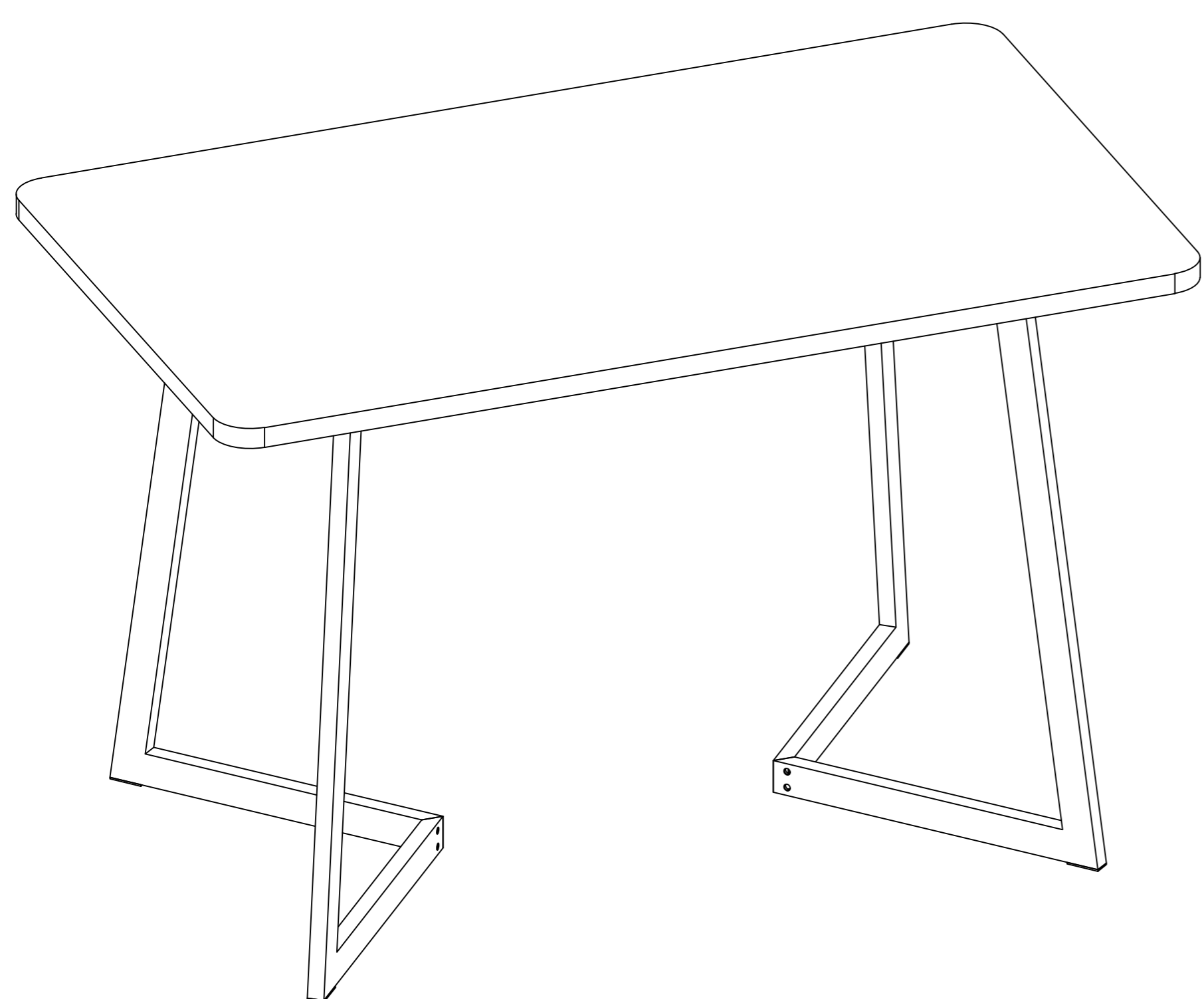
### STEP 5






### STEP 6



### STEP 7



A	 M6 5 PCS (Spare1)	C	 1pc		
B	 φ6 5 PCS (Spare1)				

1

