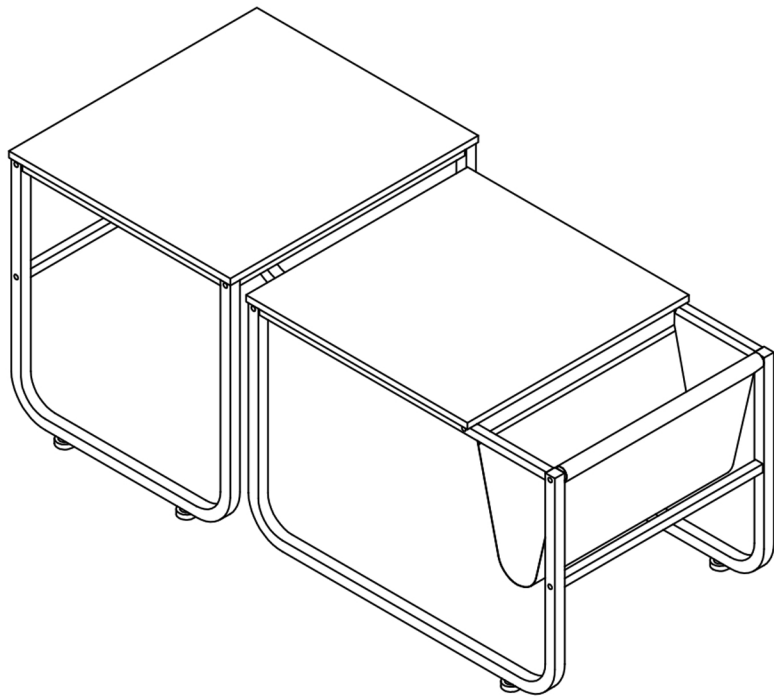


ASSEMBLY INSTRUCTION

MODEL NUMBER : ZZ-935



WARRANTY:

We stand behind our products & service with confidence! If parts damaged or missing please feel free to contact us for a FREE REPLACEMENT.

We warranty this product to be free from defects in materials. This warranty covers one year from the date of original purchase.

NOTES:

- The item is only intended to be used indoors. The product must be assembled and used in accordance with the provisions of the manual.
- It is recommended that assembly is undertaken by about 2 adults. Please read assembly instructions before assembly and strictly adhere to each step outlined. Estimated assembly time is 30 minutes.

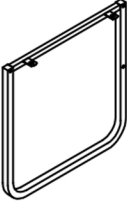
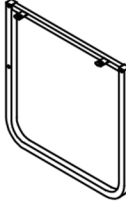
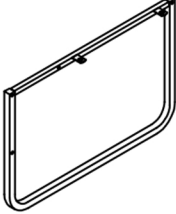
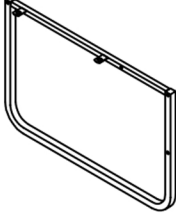



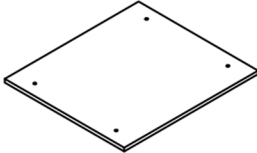
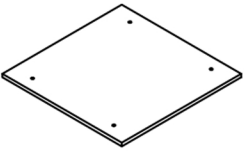
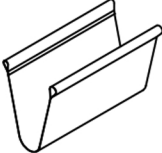




WARNING:

- **WARNING FOR YOUNG CHILDREN** - This product contains small components, please ensure that they are kept away from small children while assembling.

After-sales support email: after-saleservice@outlook.com

1

PARTS LIST

A	B	C	D	E	F	G
						
1PC	1PC	1PC	1PC	3PCS	3PCS	1PC
H	I	J	a	b	c	d
						
1PC	1PC	1PC	1/4*30 14PCS	M6*10 8PCS	8PCS	1PC

IMPORTANT:

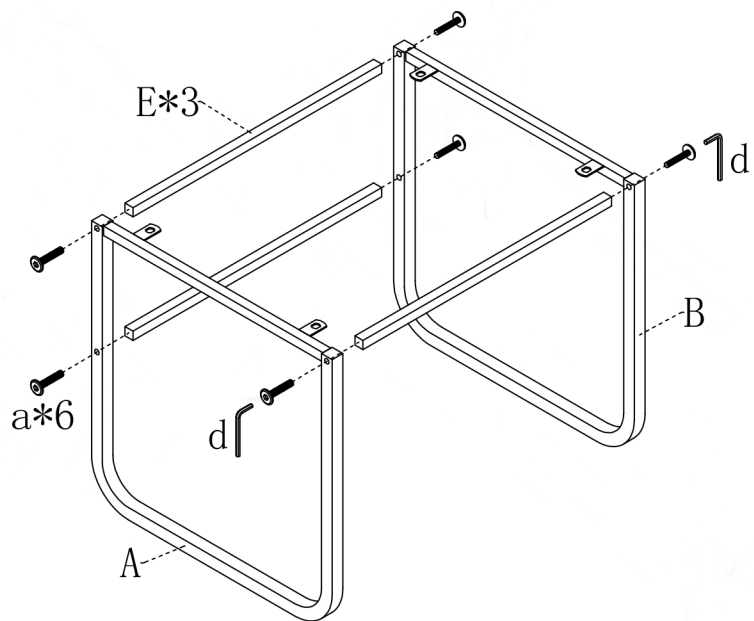
Please check parts list before you start to assembly. If parts damaged or missing. Contact your seller for a FREE REPLACEMENT. Please provide your order number, a brief message about the issue, and your shipping address. Thank you!

After-sales support email: after-saleservice@outlook.com

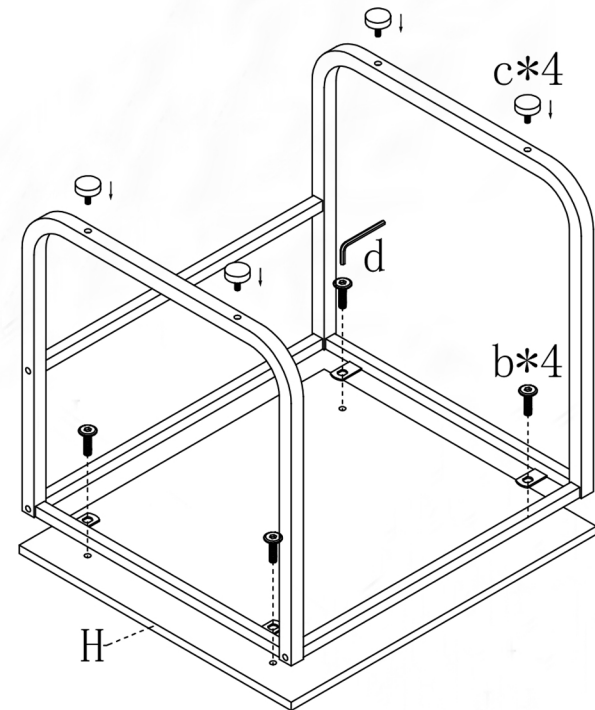
2

NOTE: PLEASE DO NOT TIGHTEN THE BOLTS UNTIL ALL FIXED

①



②

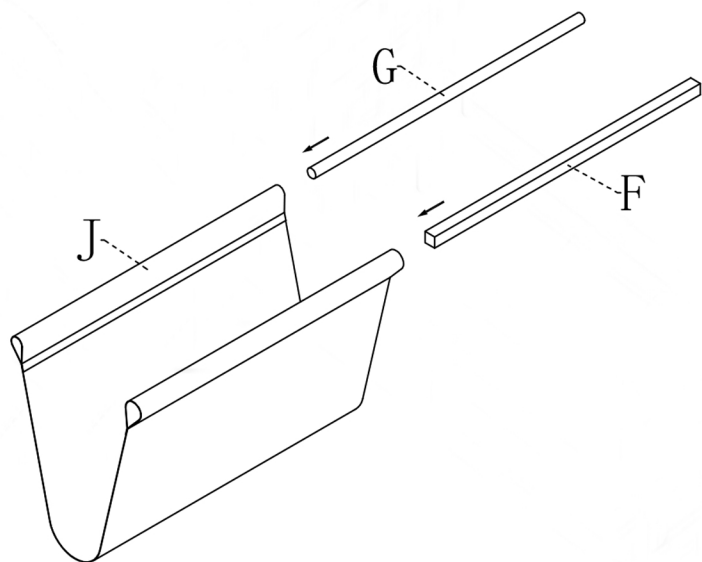


After-sales support email: after-saleservice@outlook.com

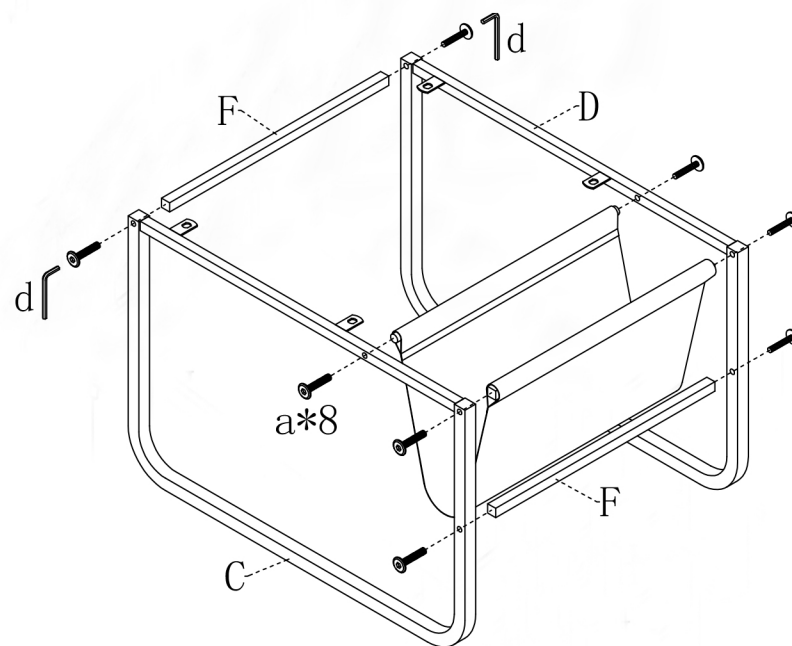
3

NOTE: PLEASE DO NOT TIGHTEN THE BOLTS UNTIL ALL FIXED

3



4



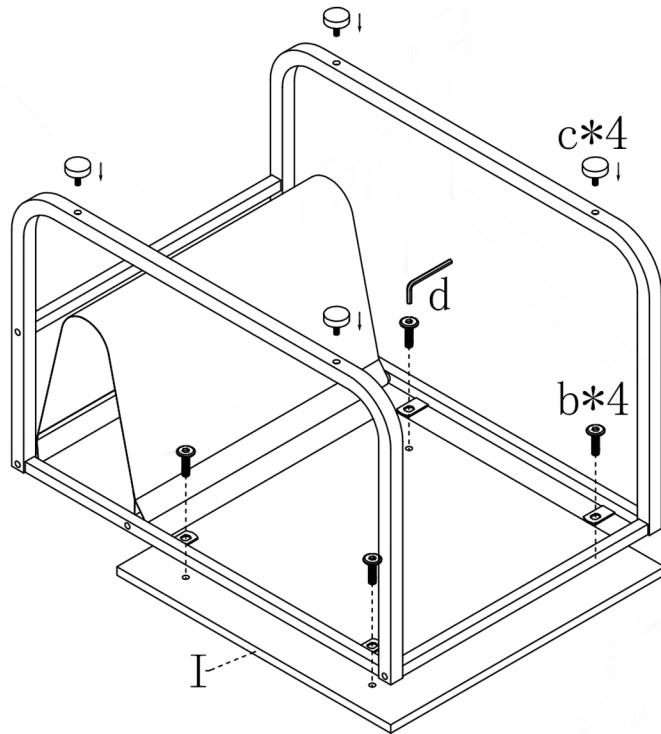
80%

After-sales support email: after-saleservice@outlook.com

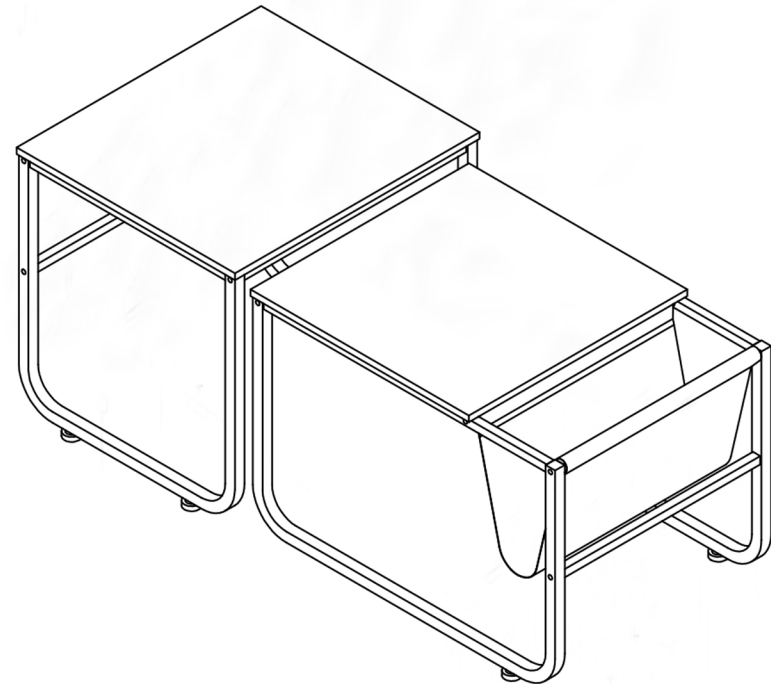
4

NOTE: PLEASE DO NOT TIGHTEN THE BOLTS UNTIL ALL FIXED

5



6



IMPORTANT: Please completely tighten all the bolts and nuts.

After-sales support email: after-saleservice@outlook.com