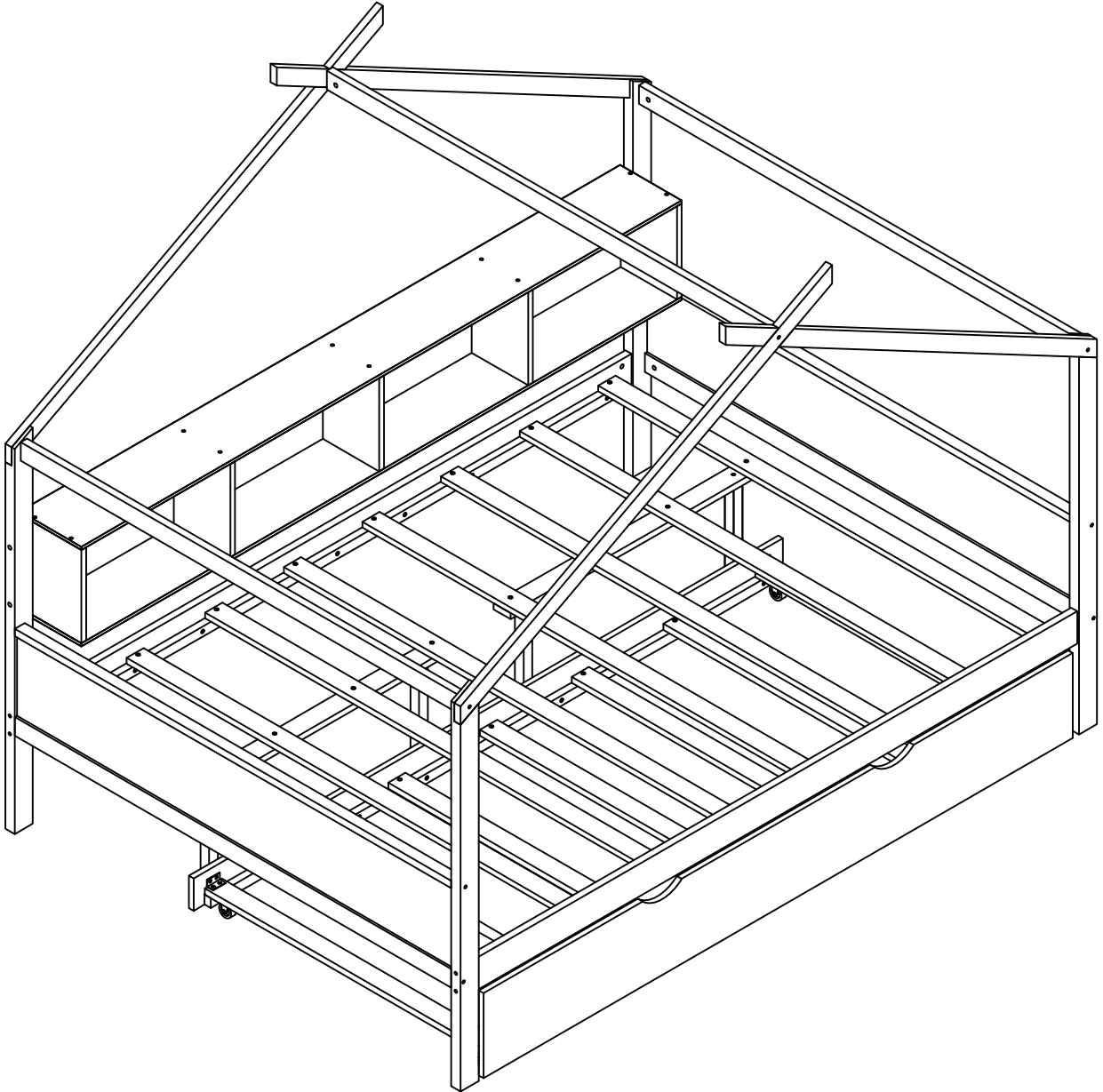


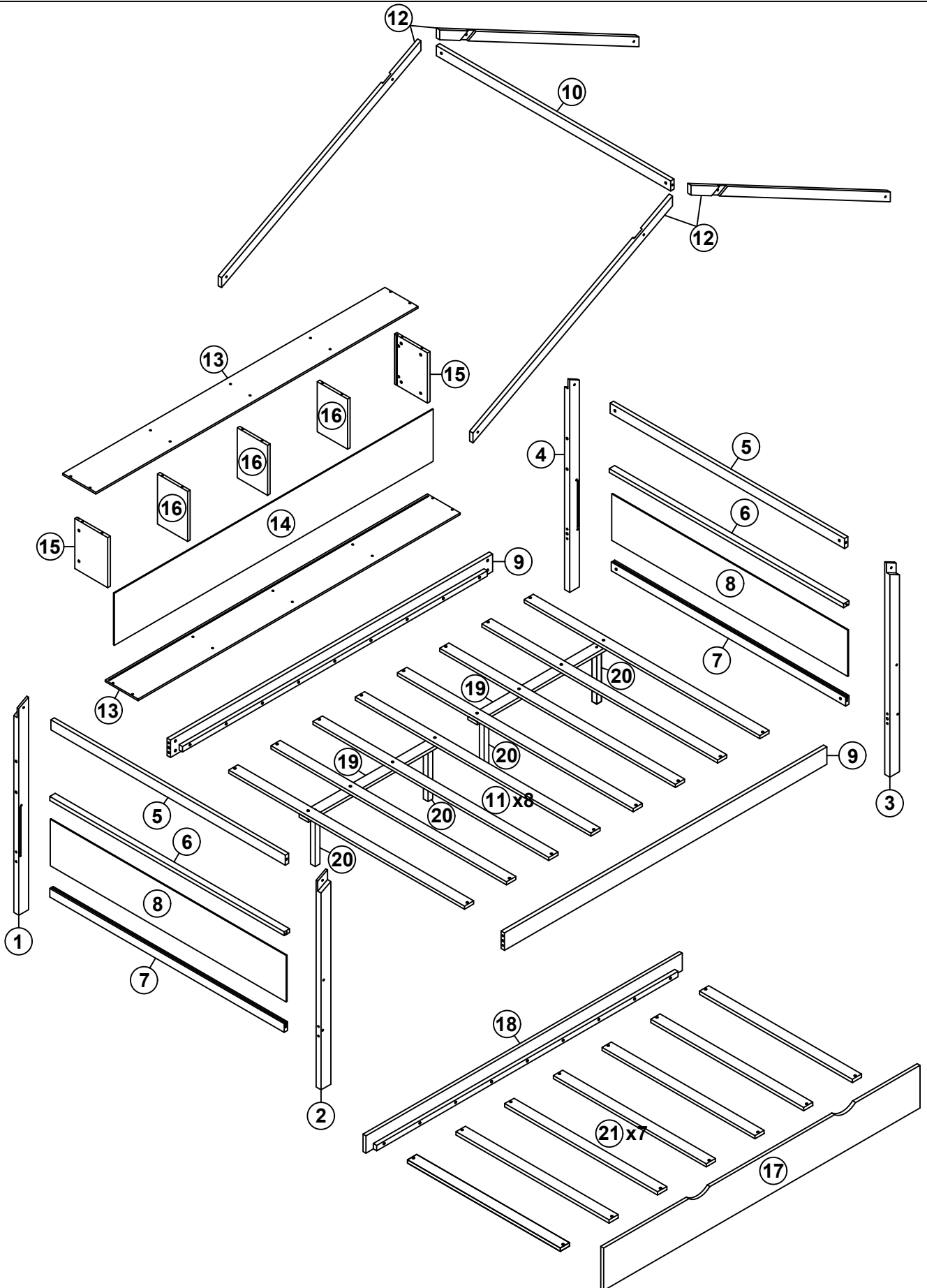
ASSEMBLY INSTRUCTIONS

FULL SIZE HOUSE BED WITH BOOKCASE & TRUNDLE



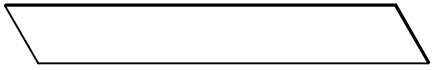
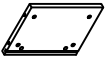

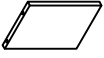
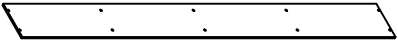
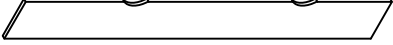
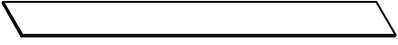

WF320917/WF320918

ASSEMBLY INSTRUCTIONS

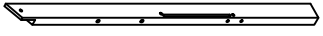
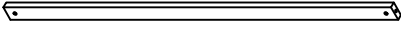
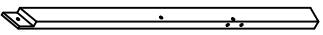
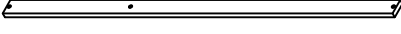
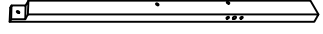
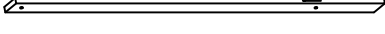
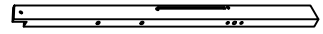
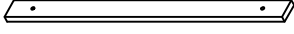
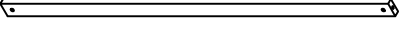
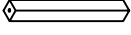
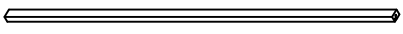
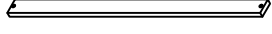



ASSEMBLY INSTRUCTIONS

WF320917






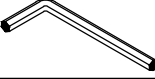









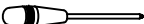
8	 Headboard frames	2pcs	15	 Side bookcase panels	2pcs
9	 Side rail	2pcs	16	 Center bookcase panels	3pcs
13	 Top & bottom bookcase panels	2pcs	17	 Front trundle panels	1pc
14	 Back bookcase panels	1pc	18	 Back trundle panels	1pc

WF320918 (hardware in this SKU)

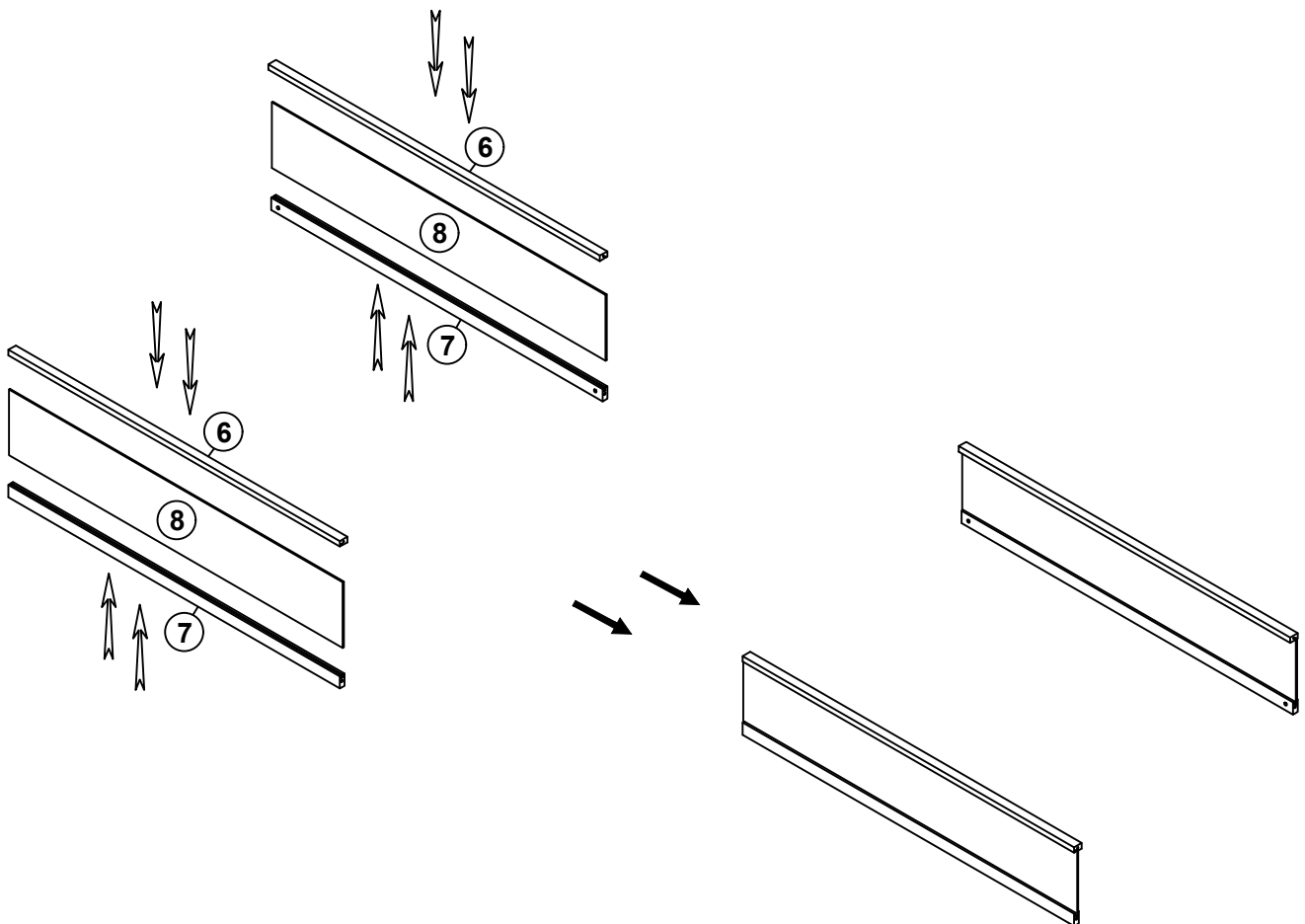
1	 Leg	1pc	10	 Roof top support	1pc
2	 Leg	1pc	11	 Slats	8pcs
3	 Leg	1pc	12	 Roof top	4pcs
4	 Leg	1pc	19	 Center rails	2pcs
5	 Headboard panel	2pcs	20	 Center rails support legs	4pcs
6	 Headboard frames	2pcs	21	 Slats	7pcs
7	 Headboard frames	2pcs			

ASSEMBLY INSTRUCTIONS

HARDWARE LIST (WF320918)

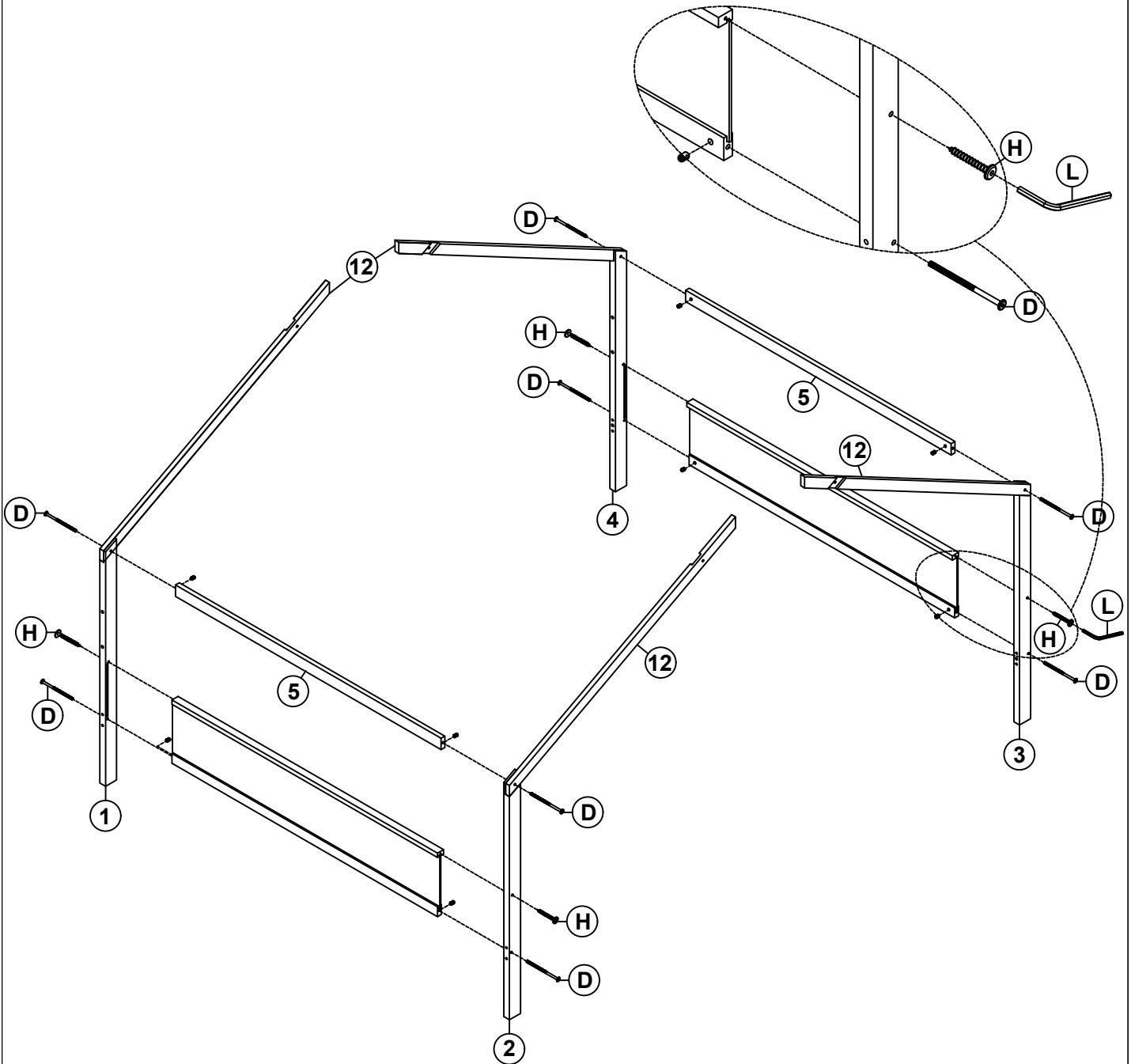
A	Ø4x30		38PCS	I	6.5x50		4PCS
B	Ø4x15		32PCS	K	Ø10x40		4PCS
C	1/4x110		8PCS	L	4x58		1PC
D	1/4x75		8PCS	M	1/4x25		4PCS
E	1/4x65		2PCS	N	Ø38x46x38		4PCS
F	1/4x50		20PCS	O	95x95x20		2PCS
G	1/4x65		4PCS	P	40x20x20		2PCS
H	6.5x60		4PCS		Phillip head screw Not include		




Step 1



ASSEMBLY INSTRUCTIONS

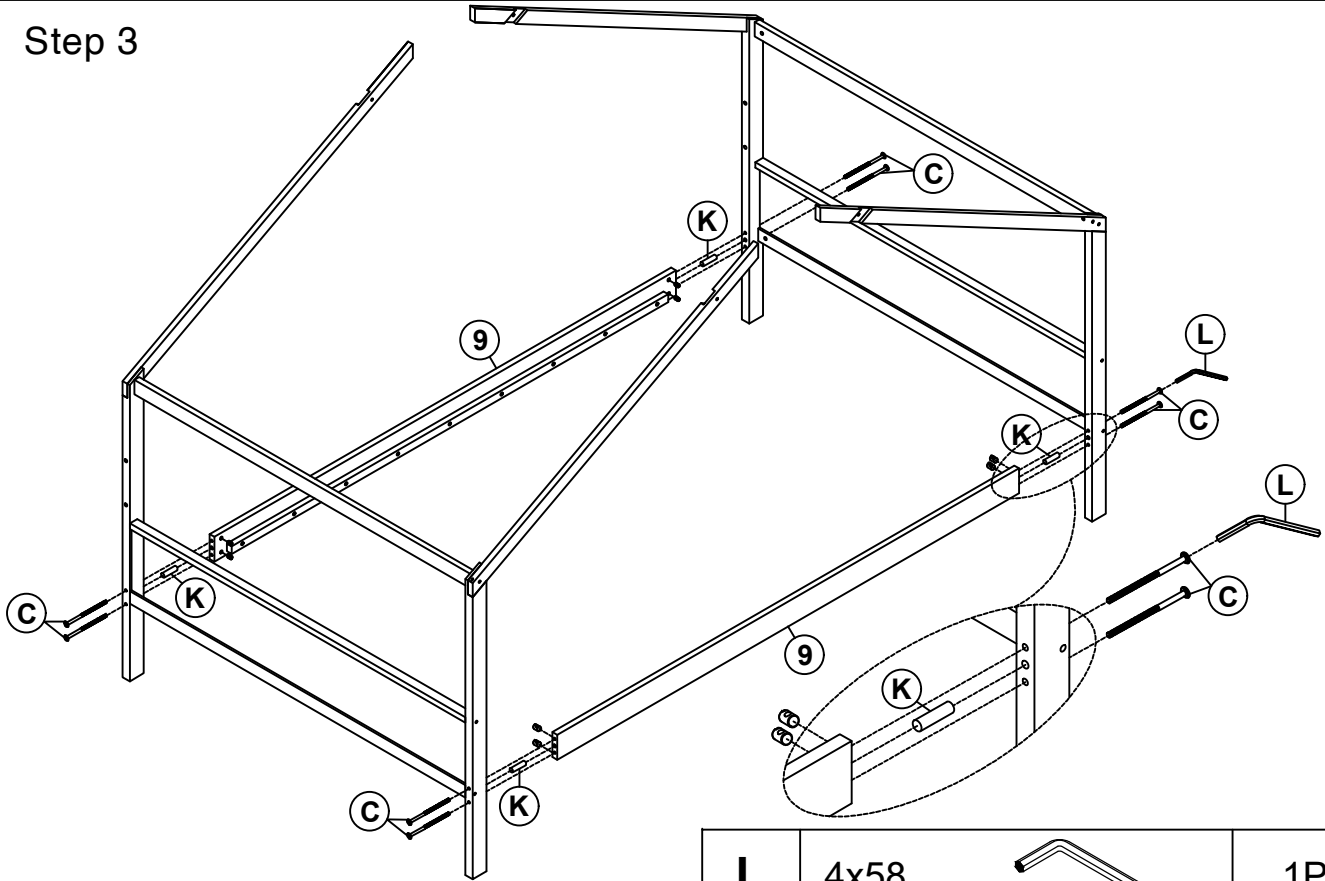
Step 2






L	4x58		1PC				
D	1/4x75		8PCS	H	6.5x60		4PCS

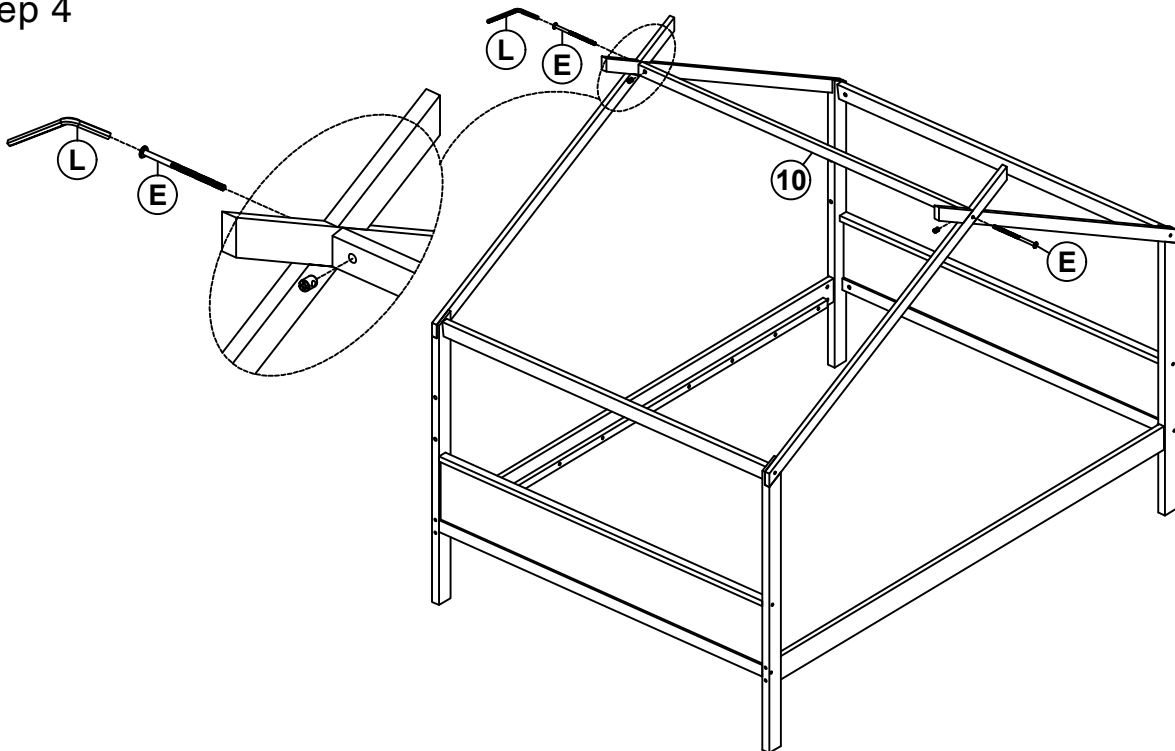
ASSEMBLY INSTRUCTIONS



Step 3



L	4x58		1PC
C	1/4x110		8PCS
K	Ø10x40		4PCS

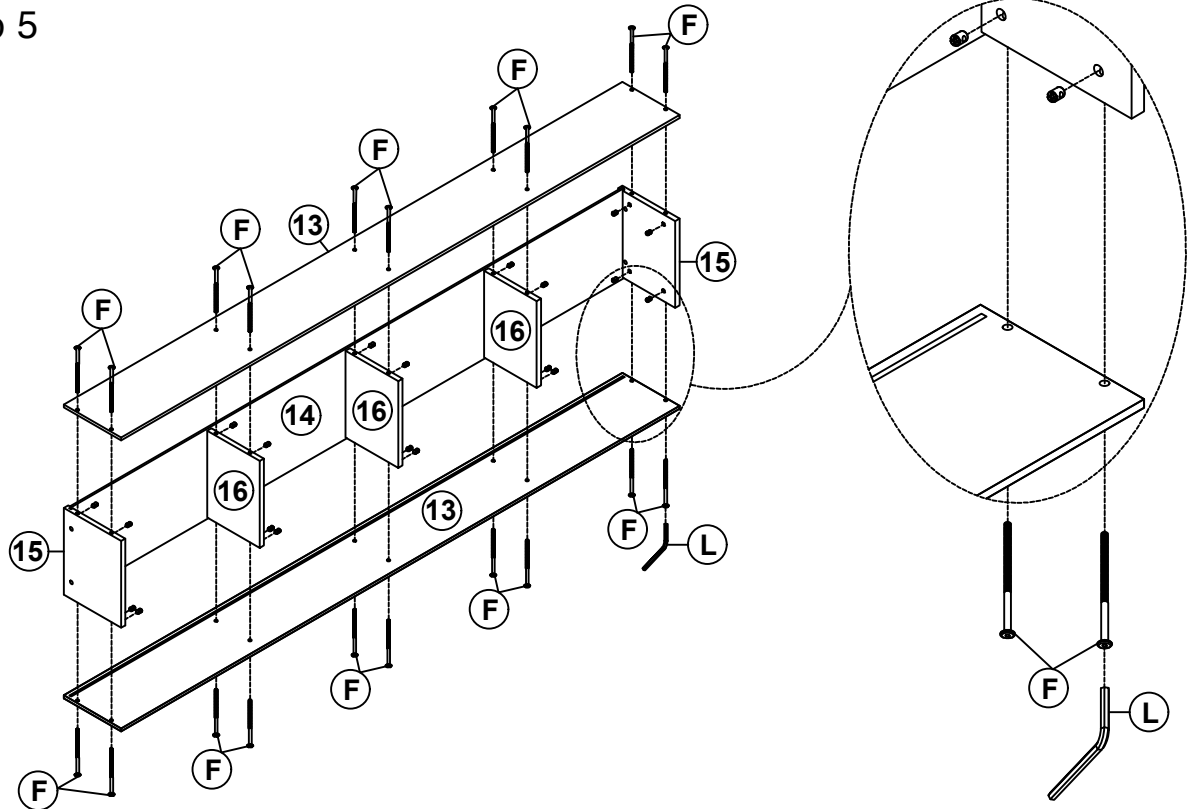
Step 4


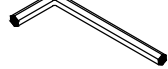


E	1/4x65		2PCS	L	4x58		1PC
----------	--------	---	------	----------	------	---	-----

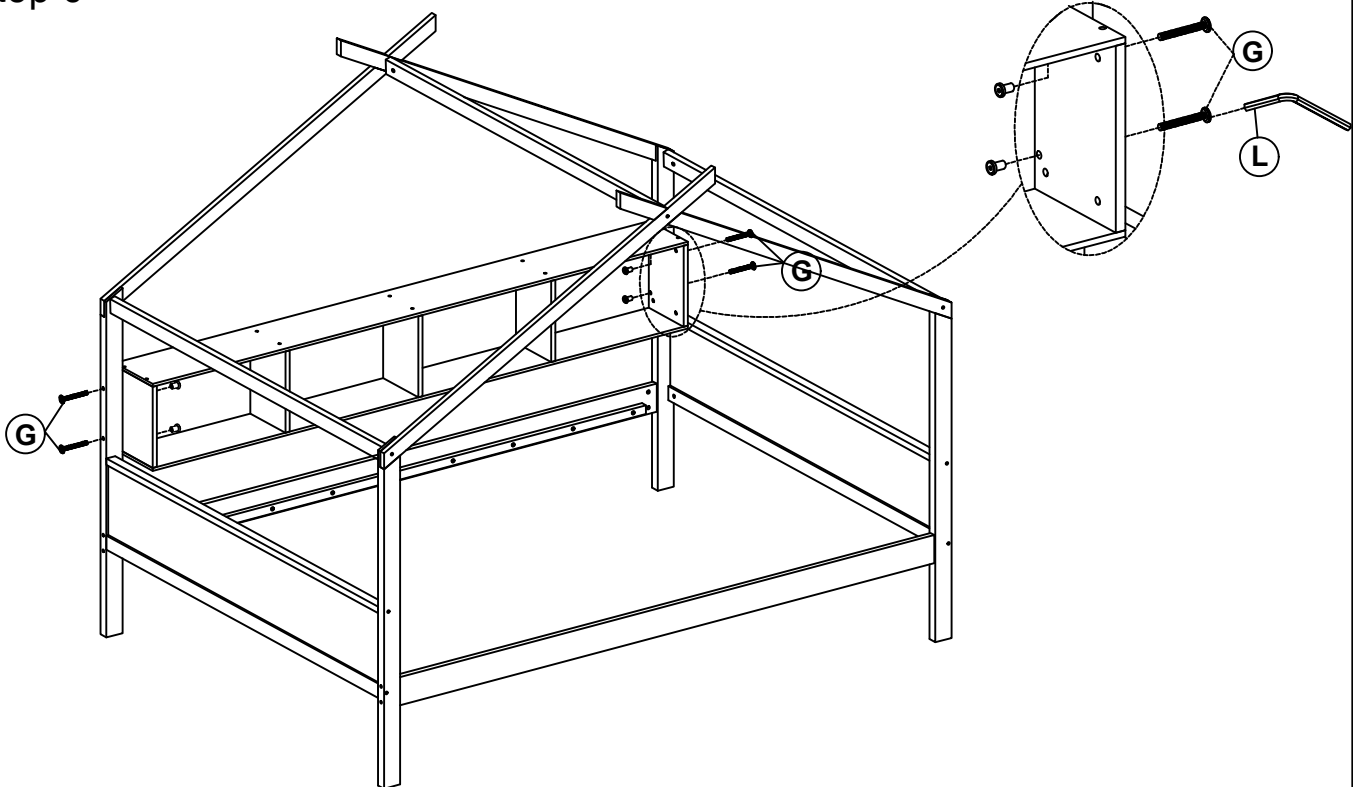
ASSEMBLY INSTRUCTIONS



Step 5



F	1/4x50		20PCS	L	4x58		1PC
----------	--------	---	-------	----------	------	---	-----

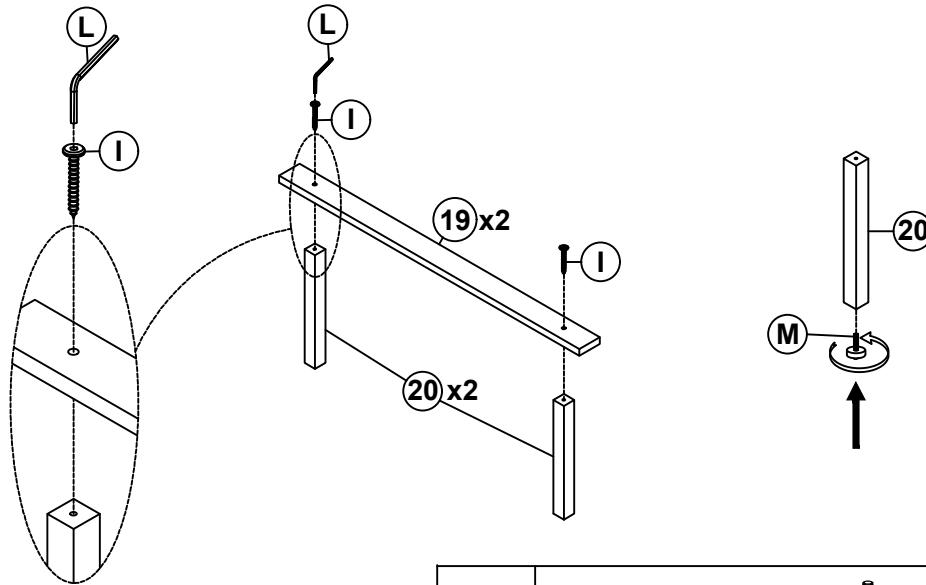
Step 6



G	1/4x65		4PCS	L	4x58		1PC
----------	--------	---	------	----------	------	---	-----

ASSEMBLY INSTRUCTIONS

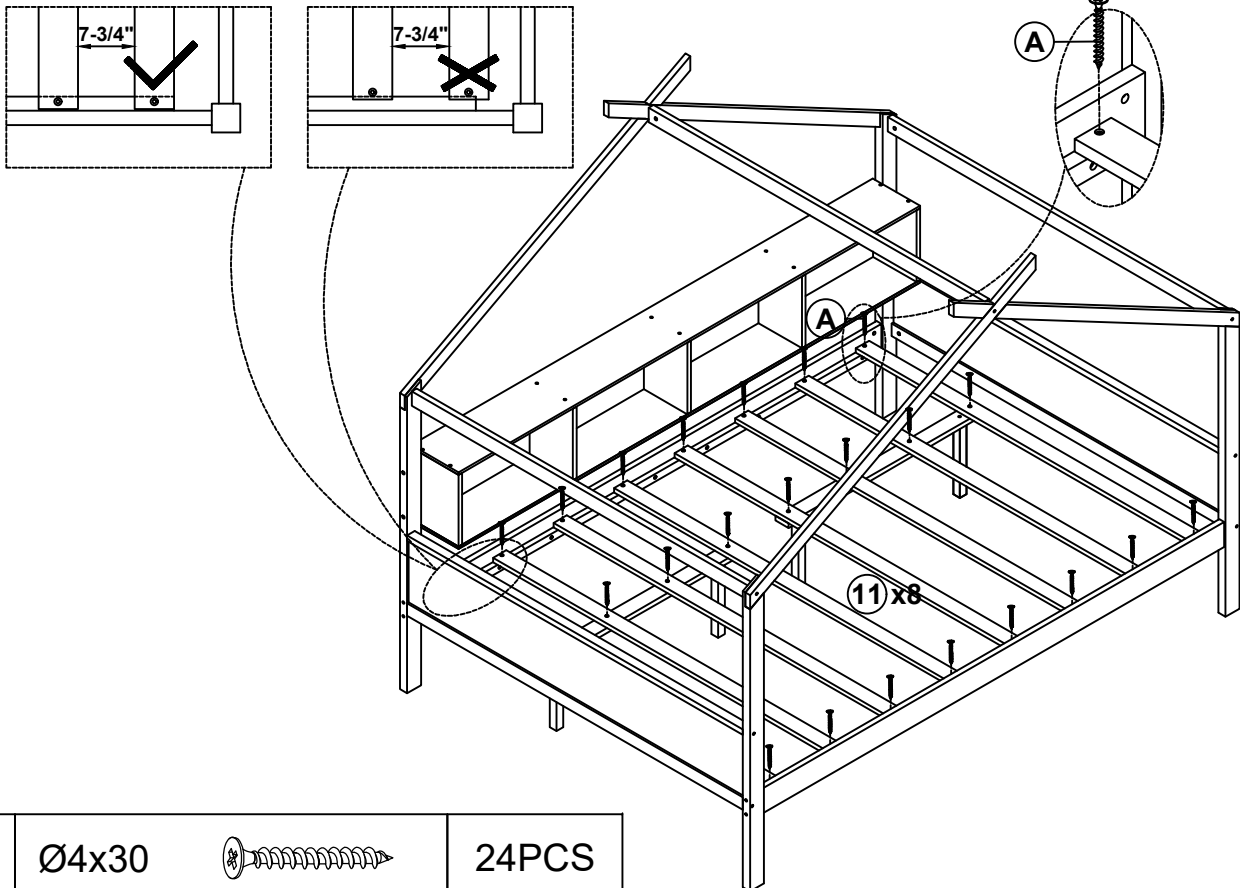
Step 7



M	1/4x25		4PCS
I	6.5x50		4PCS
L	4x58		1PC

Step 8

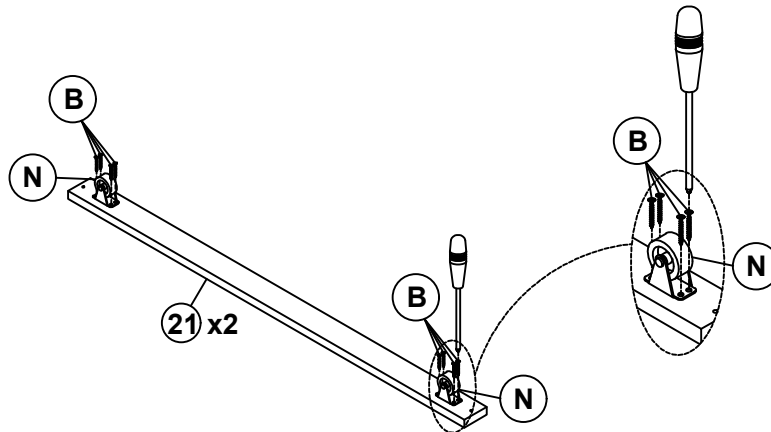
First attach 2pcs part 11 to the front and end of the frame between headboard. Then attach the remaining part 11 equidistantly between headboard





A	Ø4x30		24PCS
----------	-------	--	-------

ASSEMBLY INSTRUCTIONS

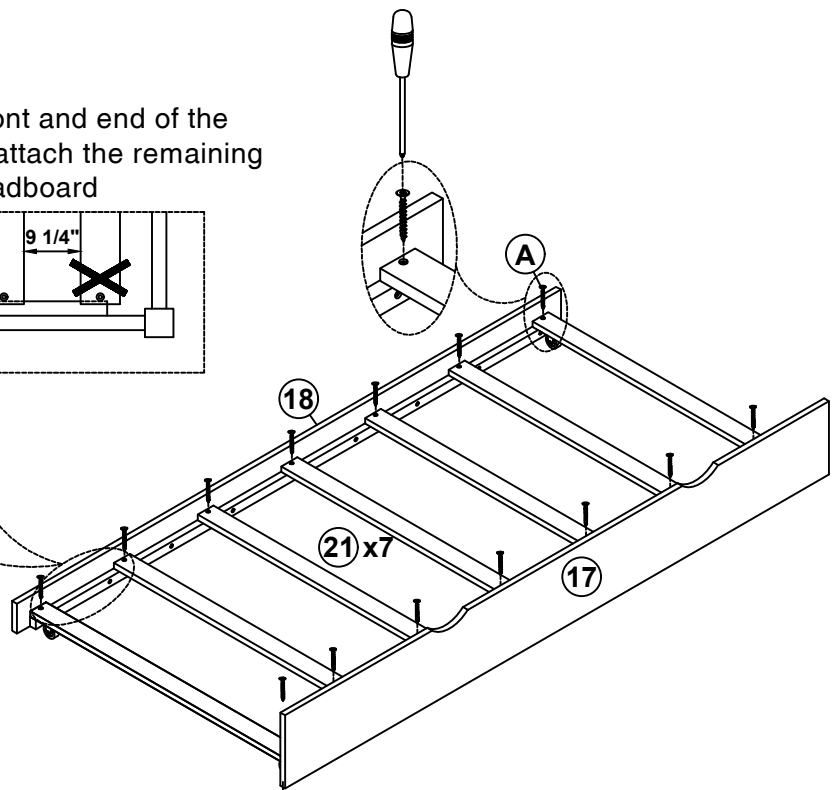
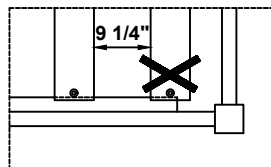
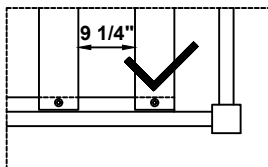
Step 9



N	Ø38x46x38		4PCS	B	Ø4x15		16PCS
----------	-----------	---	------	----------	-------	---	-------

Step 10

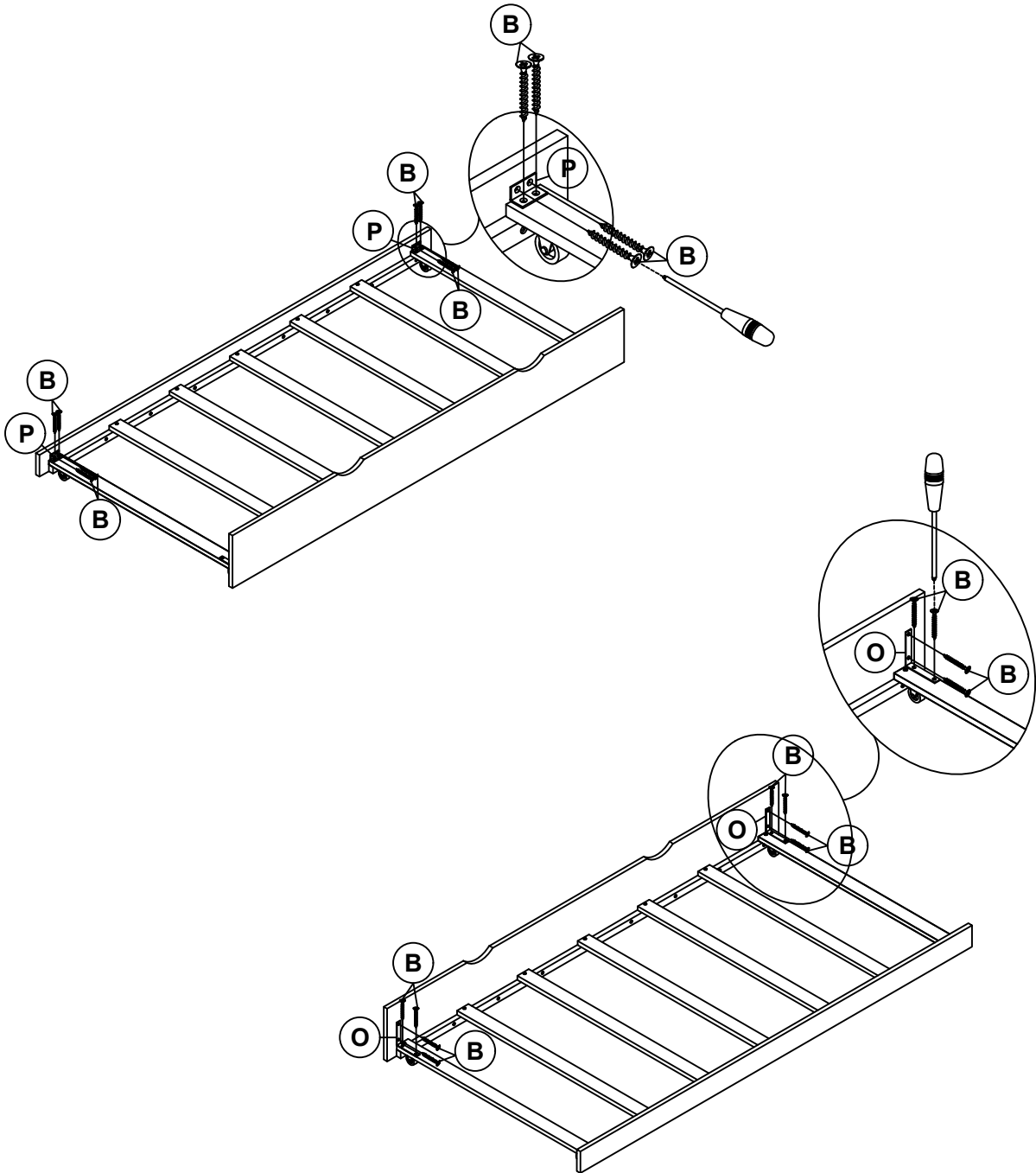
First attach 2pcs part 21 to the front and end of the frame between headboard. Then attach the remaining part 21 equidistantly between headboard

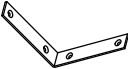
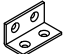



A	Ø4x30		14PCS
----------	-------	---	-------

ASSEMBLY INSTRUCTIONS

Step 11



O	95x95x20		2PCS			
P	40x20x20		2PCS	B	Ø4x15	 16PCS

ASSEMBLY INSTRUCTIONS

Step 12

