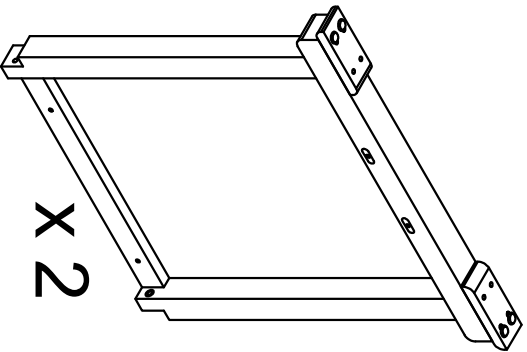
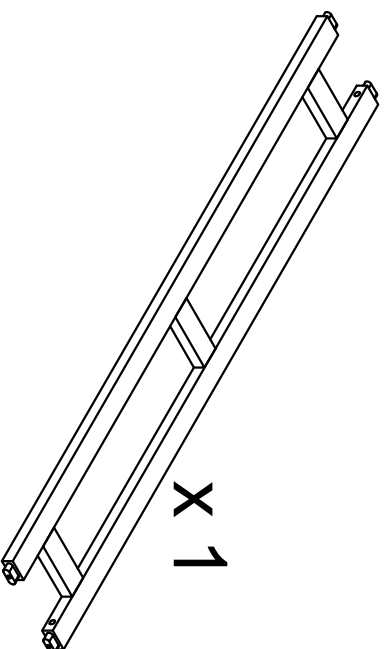


X 1



X 2



X 1

A	(M7 x 90)mm	04
B	(M6 x 35)mm	04
C	(M6 x 40)mm	04
D	(M6 x 18)mm	04
E	08	08
F	(M4 x 20)mm	32
G	02	02

