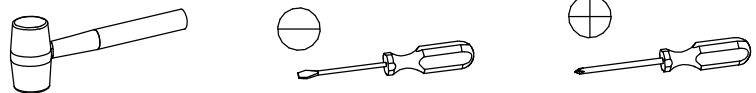
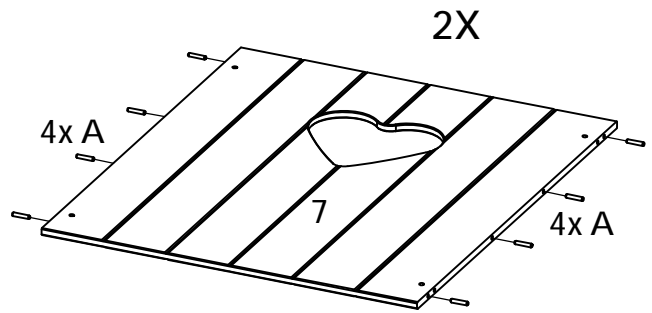
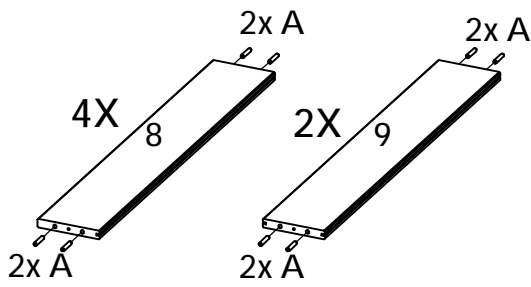
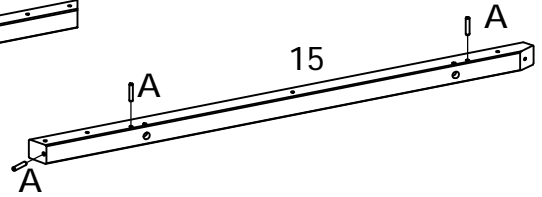
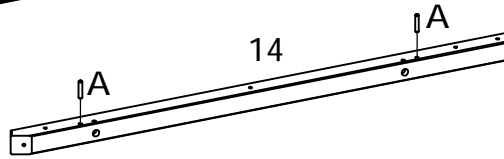
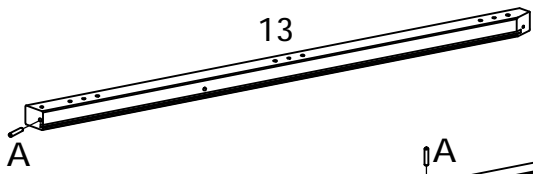
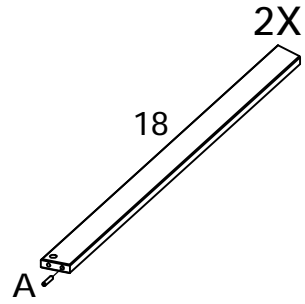
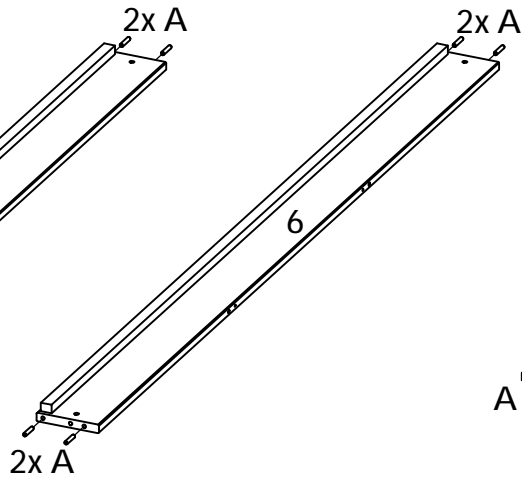
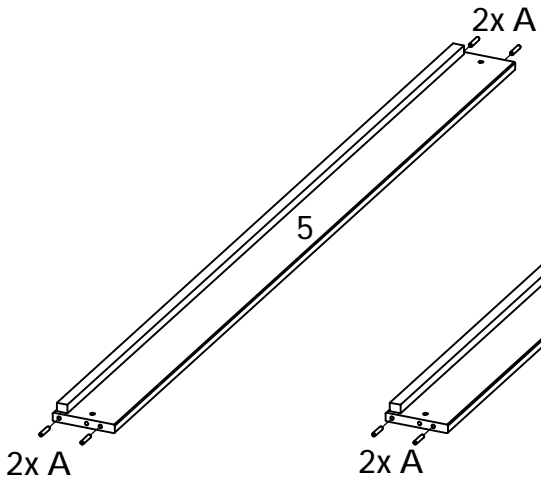
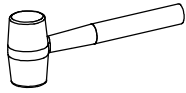


Tools needed (not supplied)



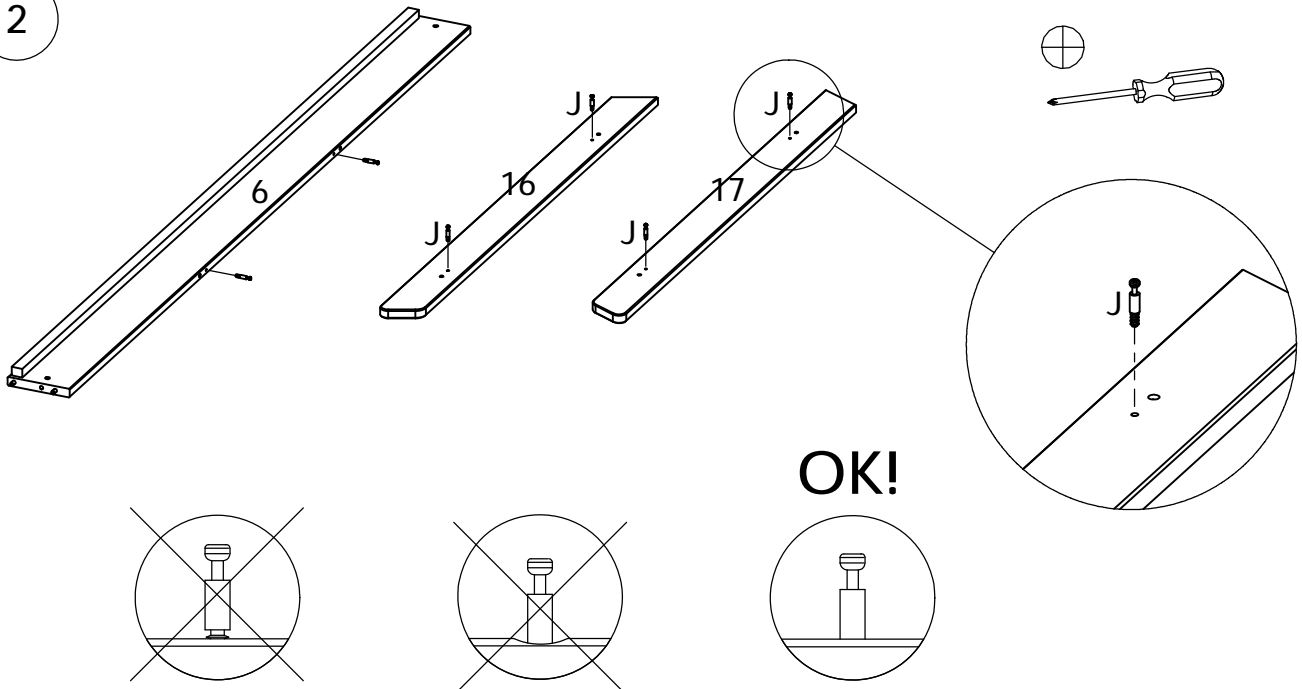
A		8x40	57	L		4x20	28
B		M6x80	12	M		D38x3	4
C		M6x10x13	12	N		D4x13	10
D		M10x12	4	P		D15x18	12
E		D15x19	4	R		D20	15
F		D9,8x37x60	4	Q		7x60	1
G		7x70	18	S		D14x13,5	2
H		15x12	6	T		M8x8	2
J		6,1x24x35	6	U		4mm	1
K		3,5x40	6				

1




A		8x40	56
---	--	------	----

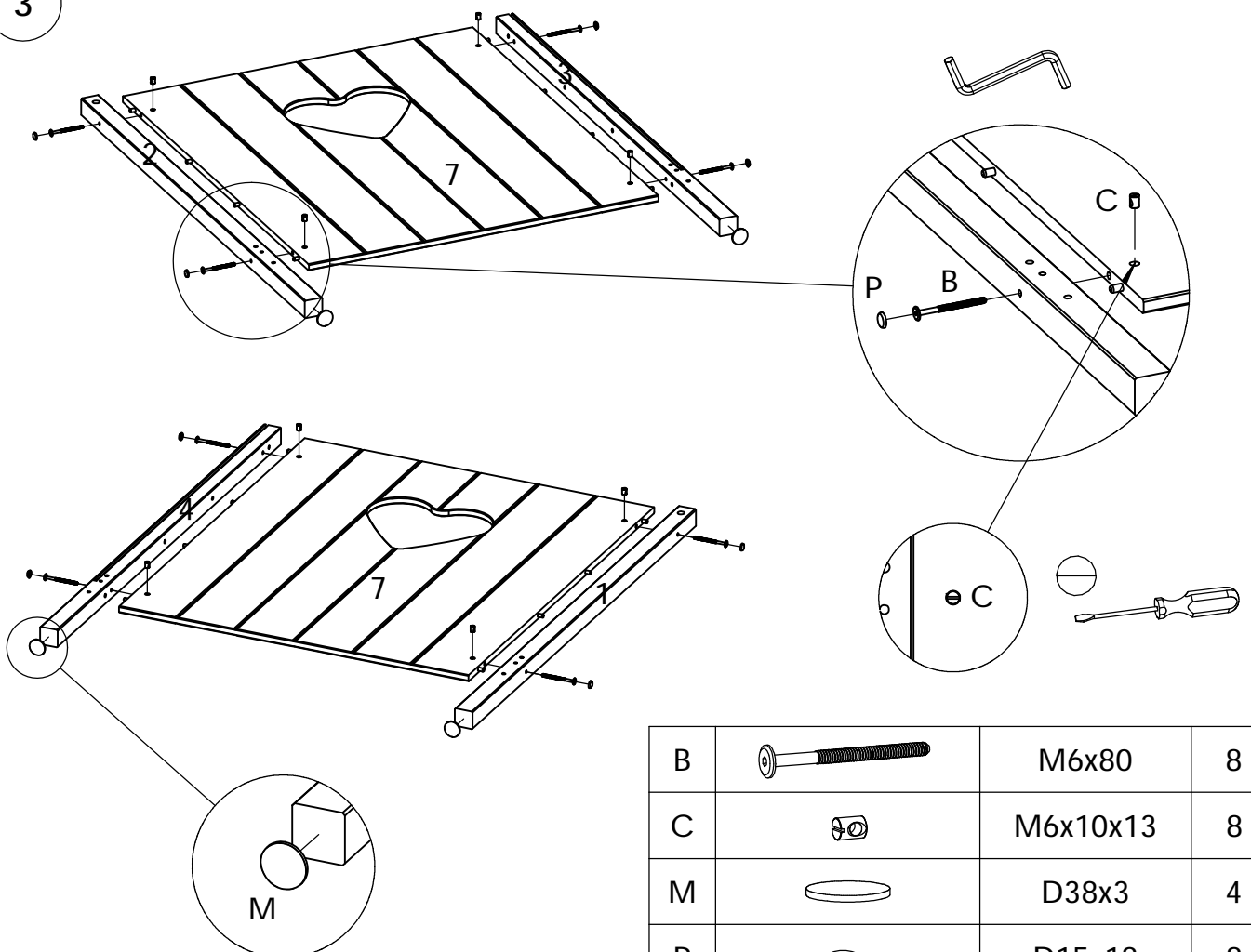
2







OK!

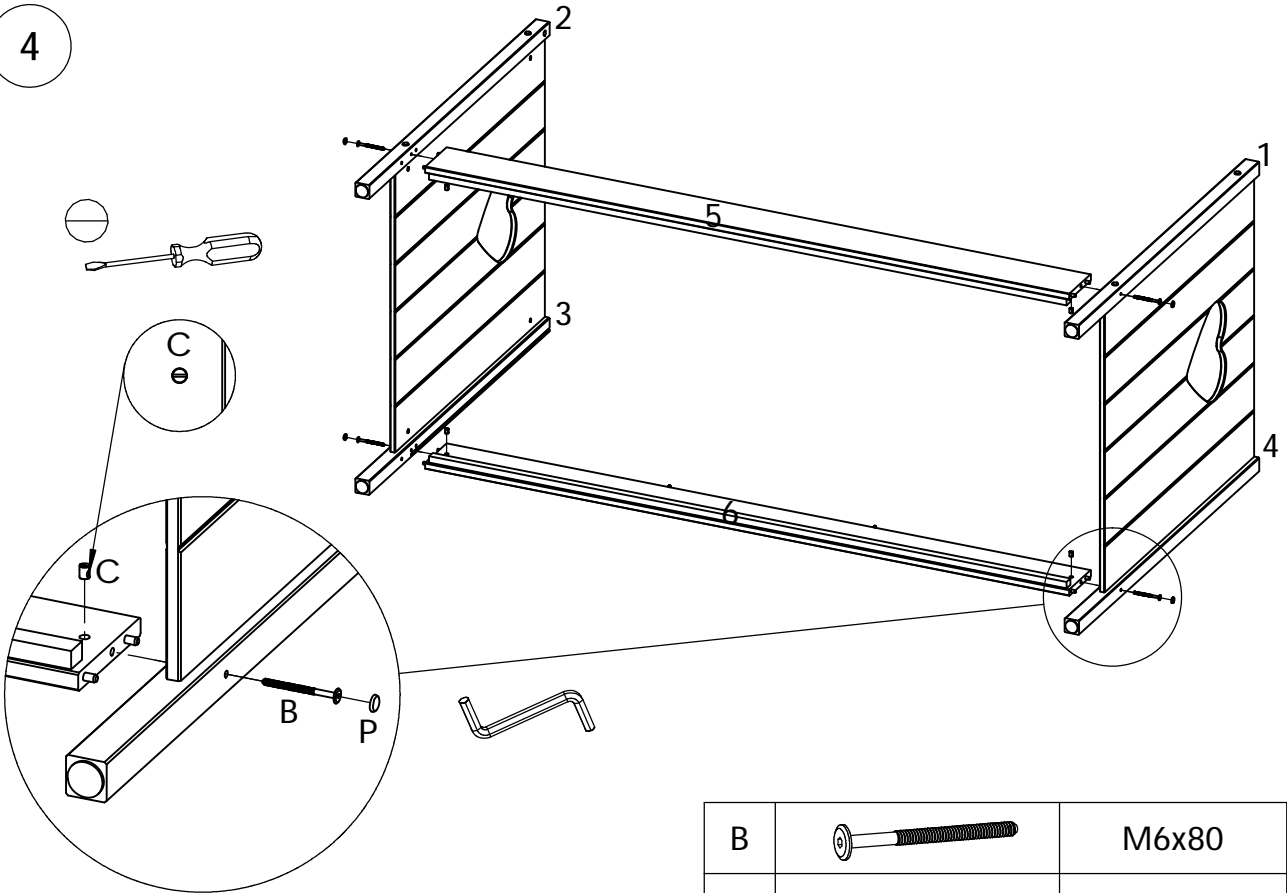
J		6,1x24x35	6
---	--	-----------	---




3



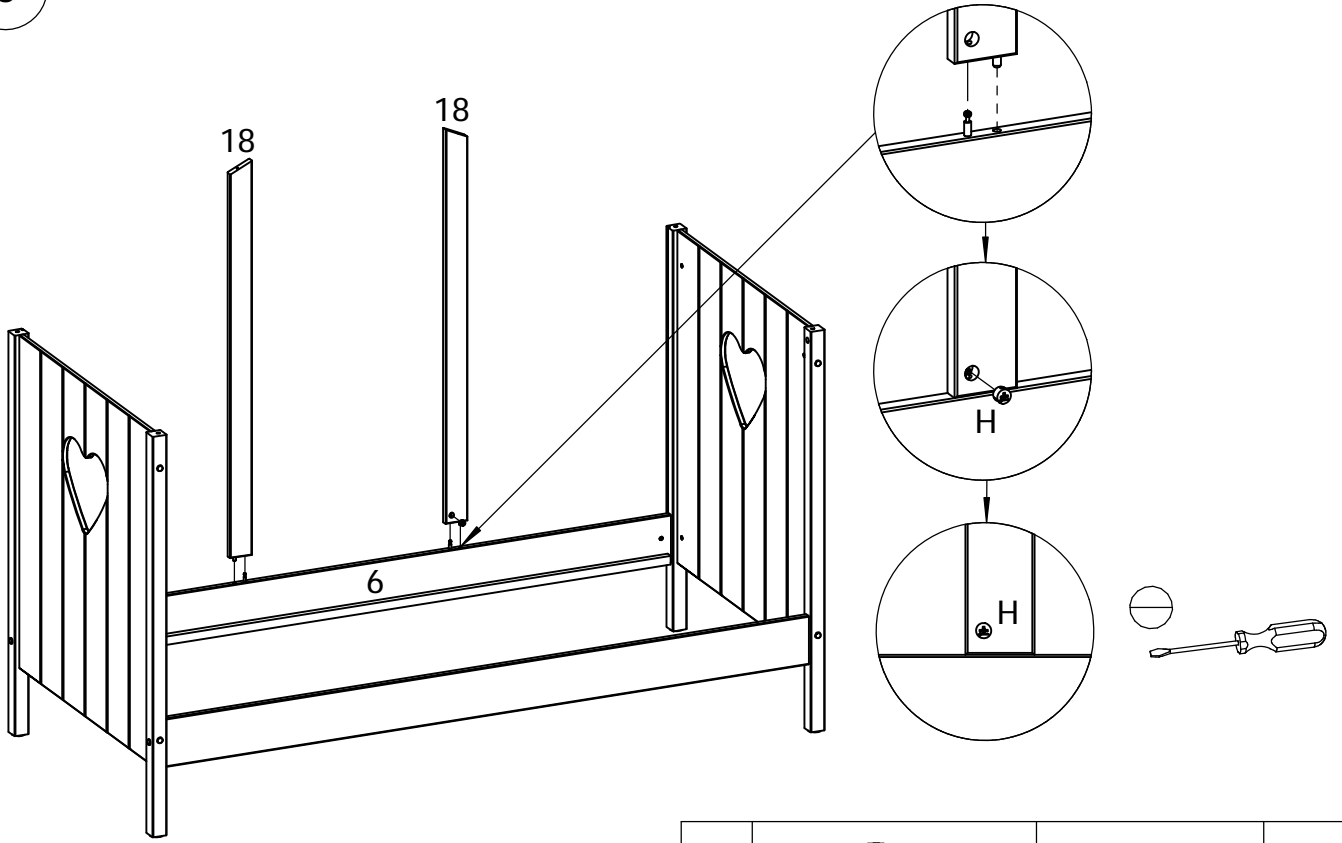
B		M6x80	8
C		M6x10x13	8
M		D38x3	4
P		D15x18	8


4



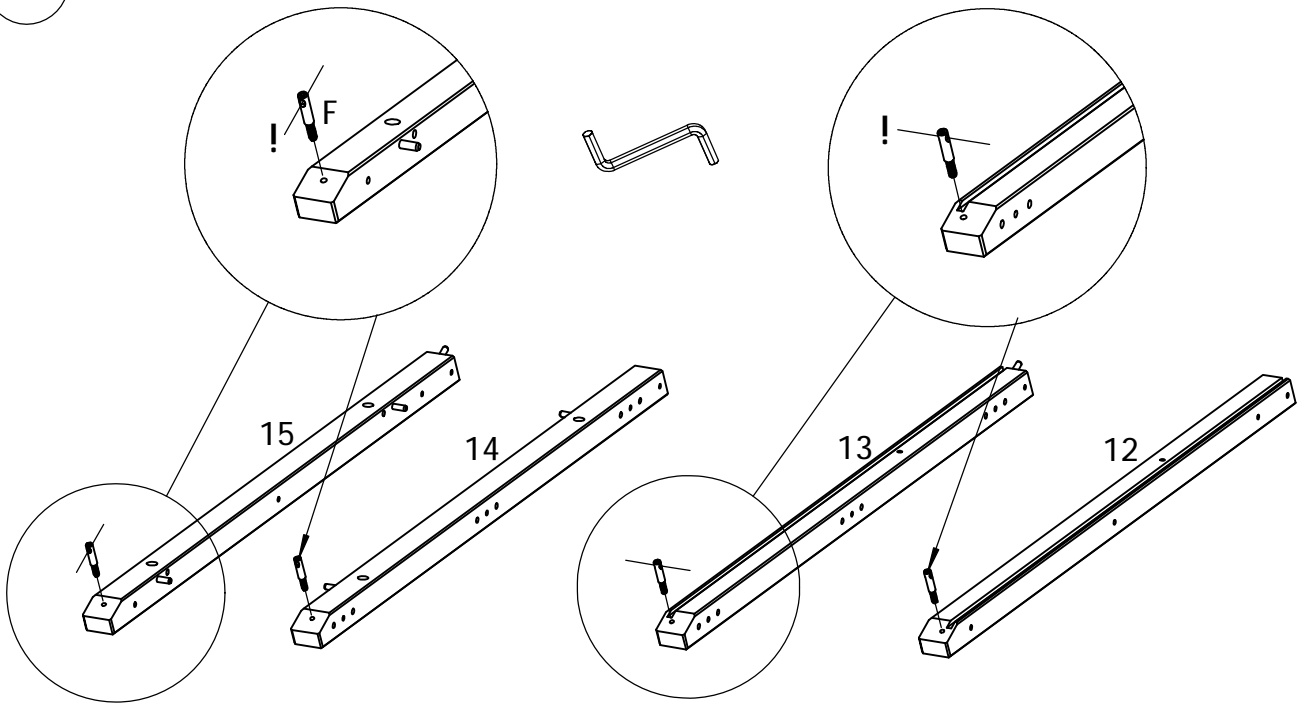
B		M6x80	4
C		M6x10x13	4
P		D15x18	4


5



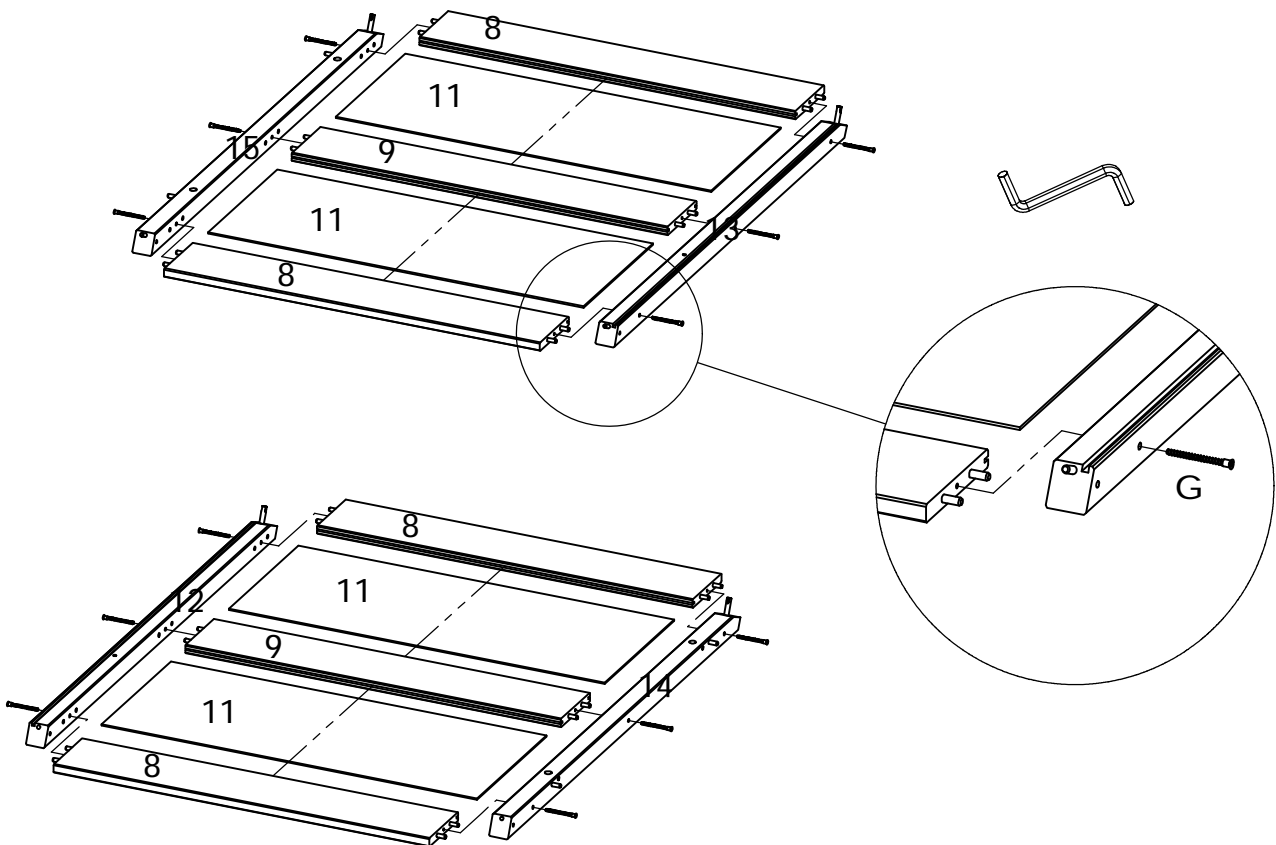
H		15x12	2
---	---	-------	---


6



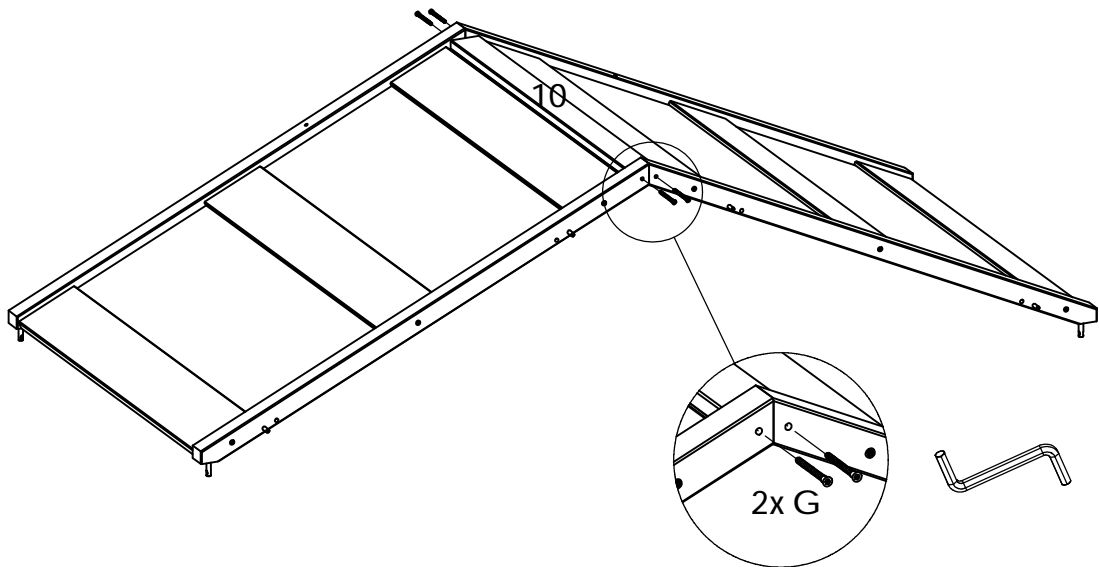
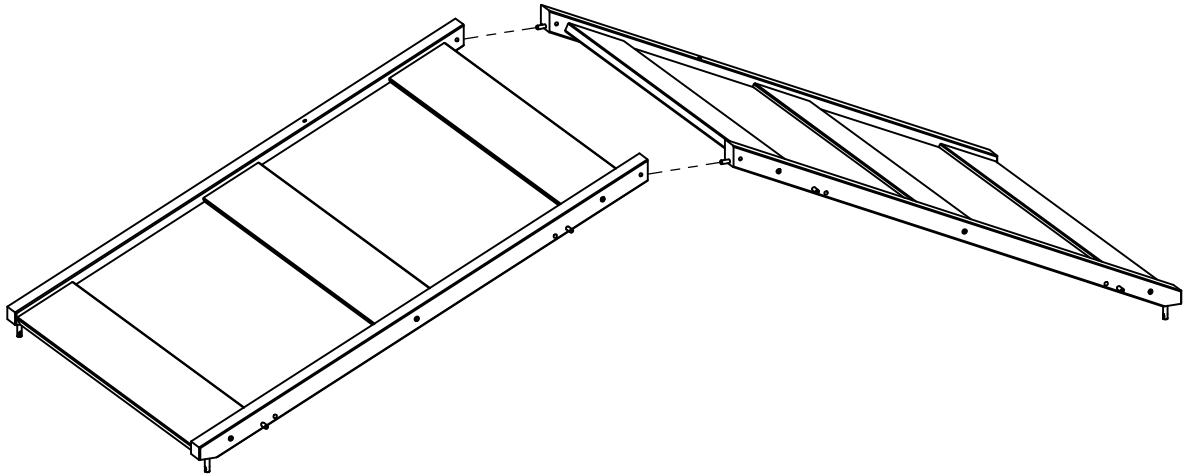
F		D9,8x37x60	4
---	---	------------	---

7



G		7x70	12
---	--	------	----

8



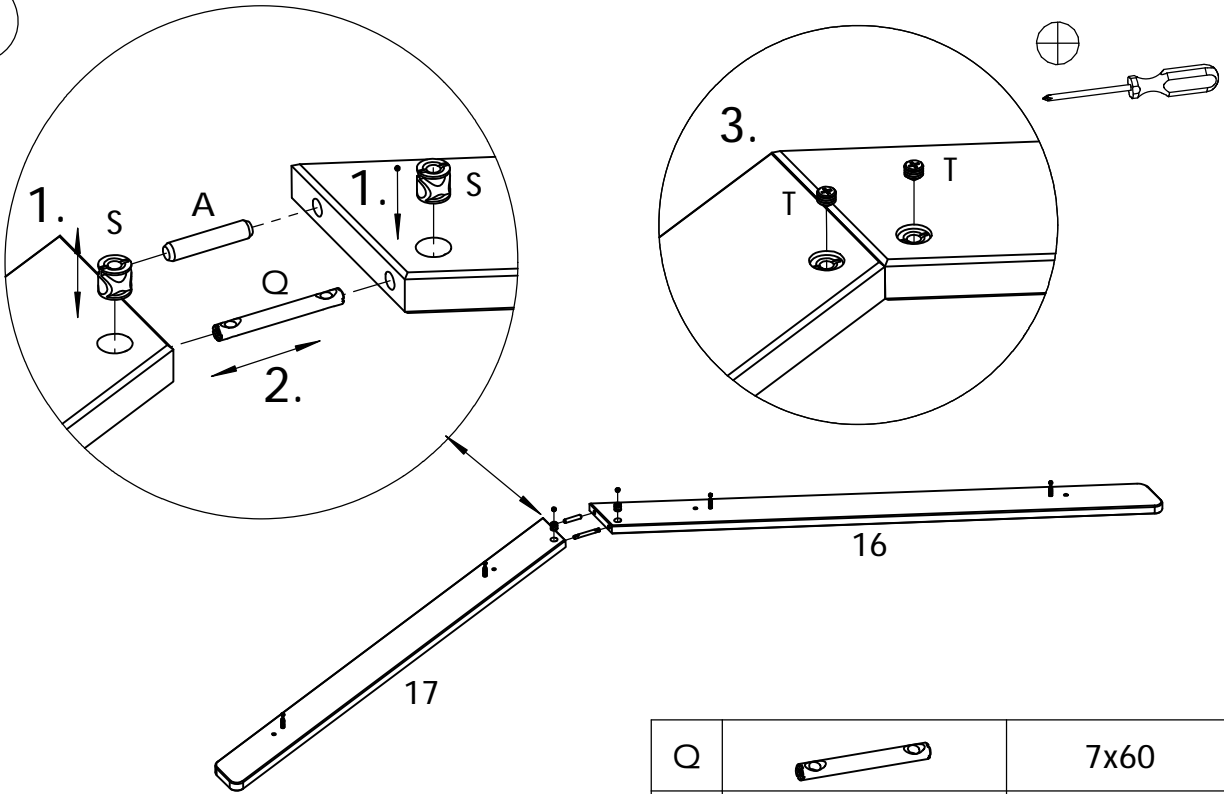
G







7x70

4

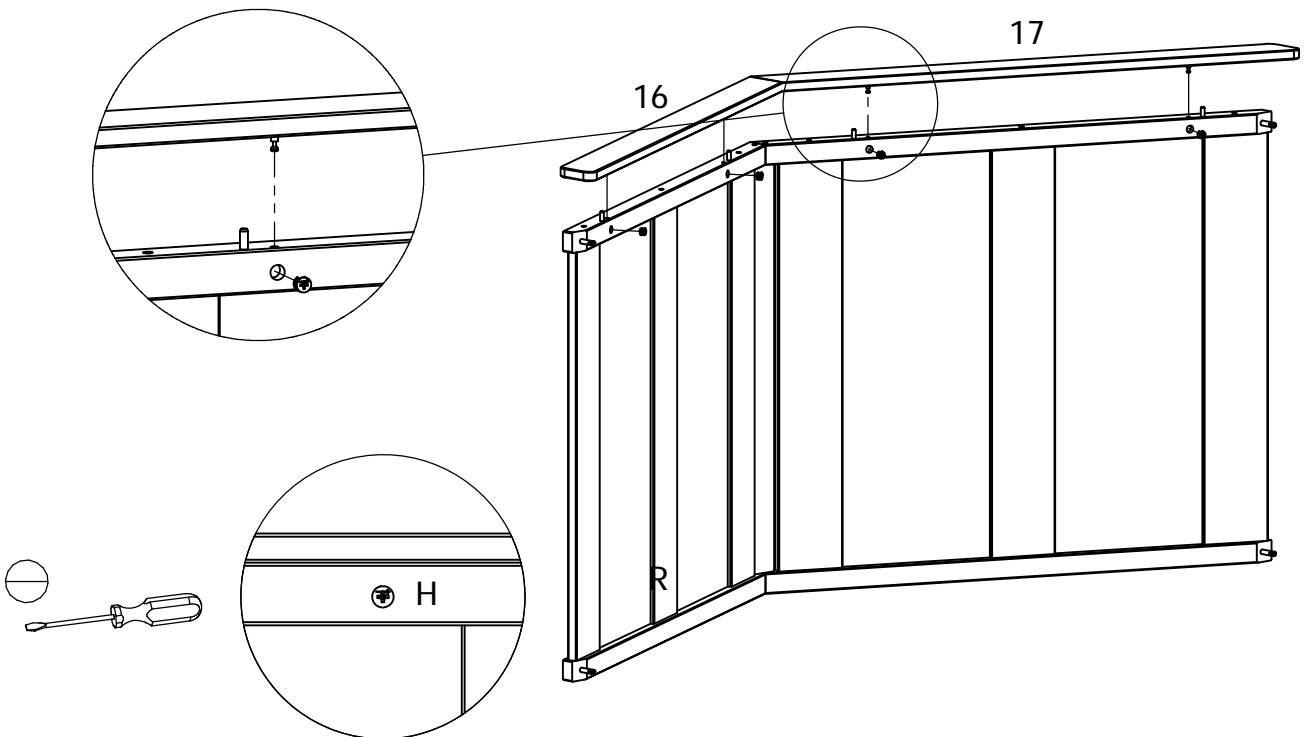
8




Q		7x60	1
S		D14x13,5	2
T		M8x8	2

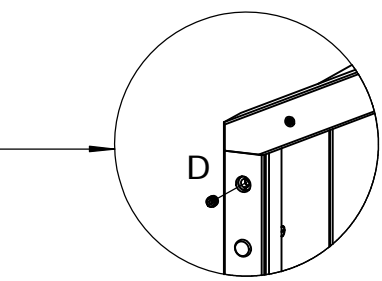
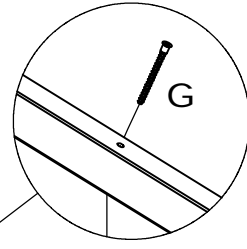
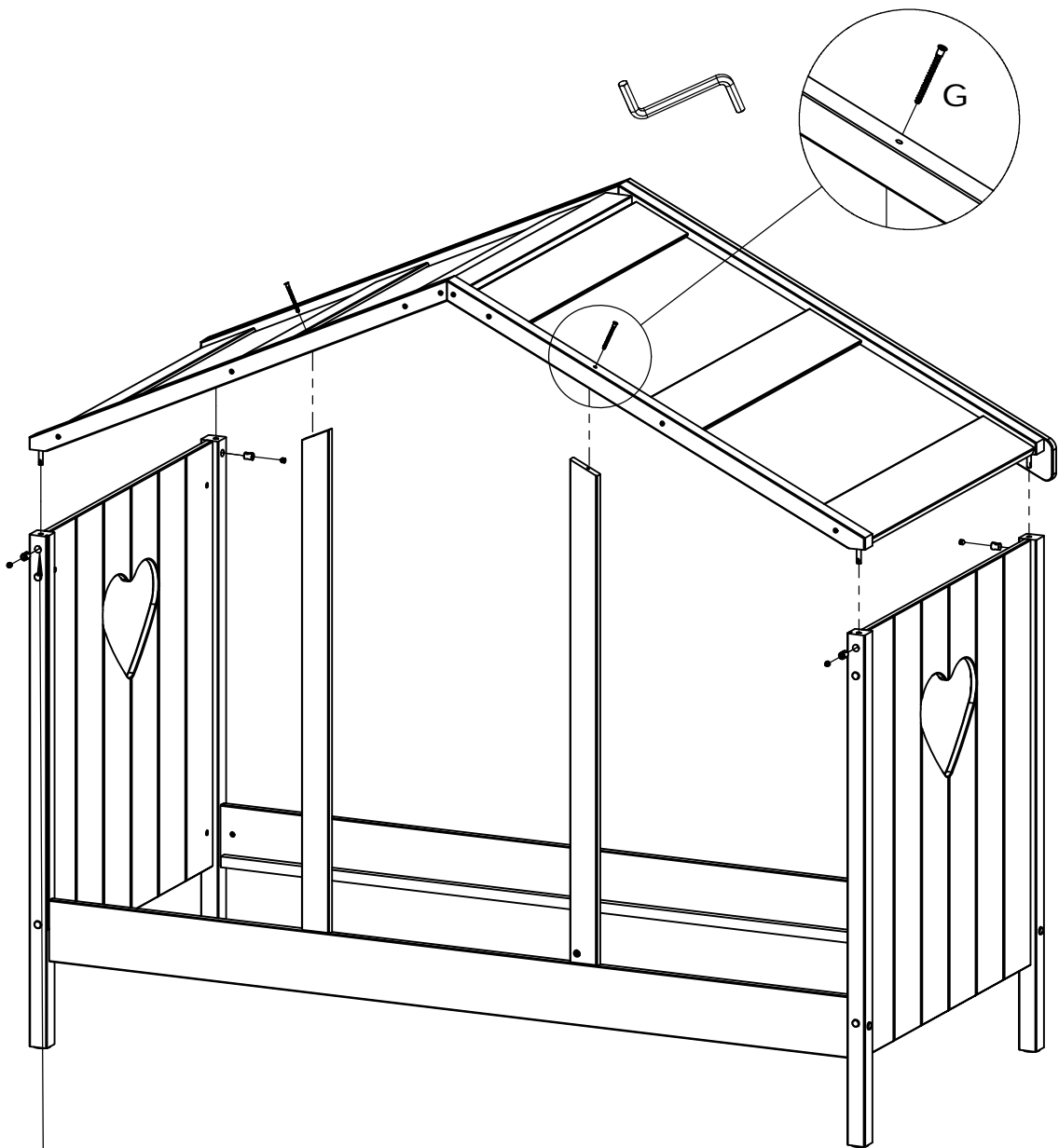
A		8x40	1
---	---	------	---




9



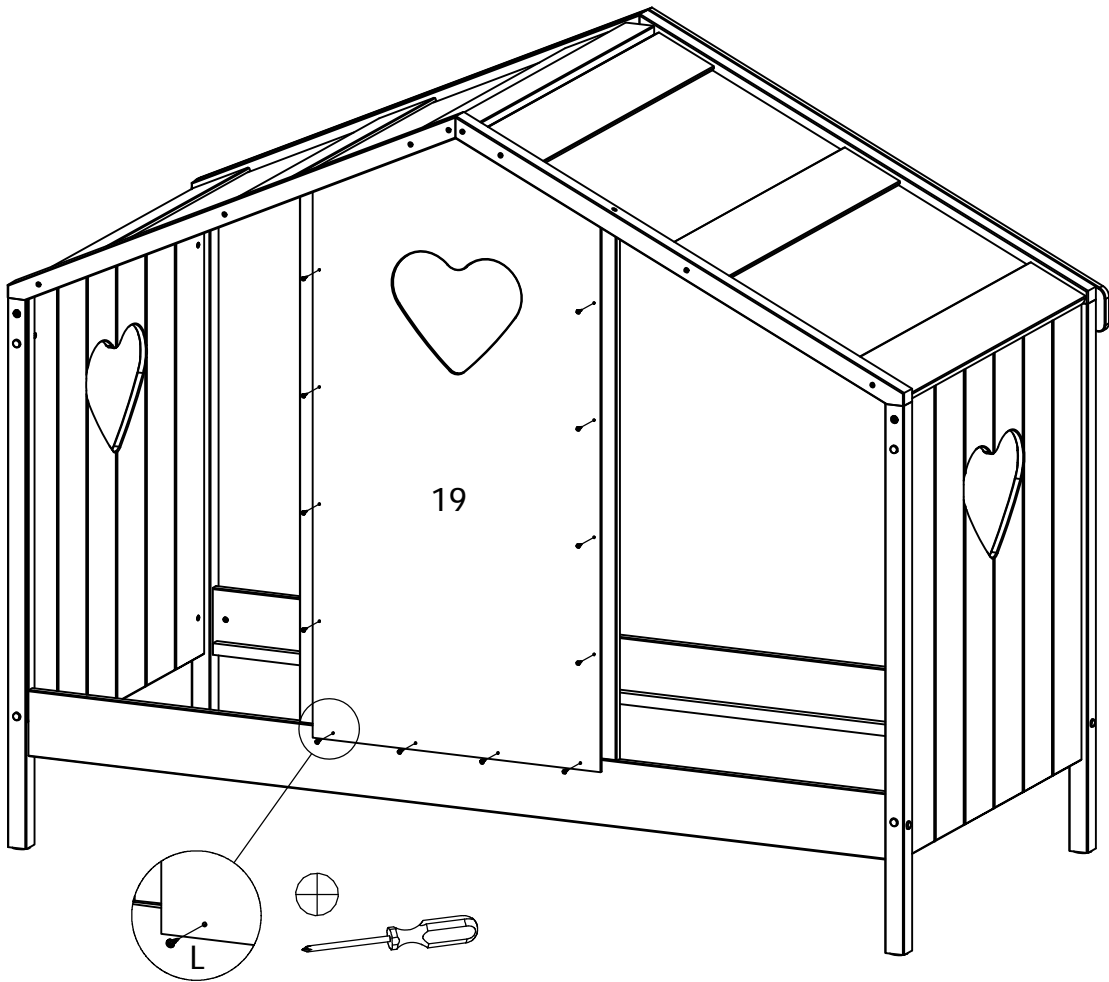
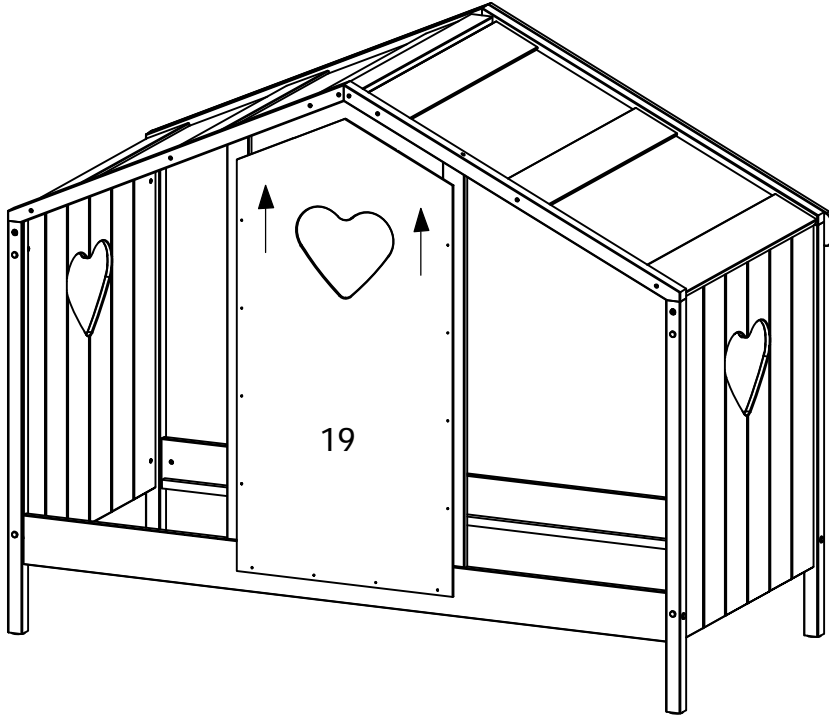
H		15x12	4
---	---	-------	---


10



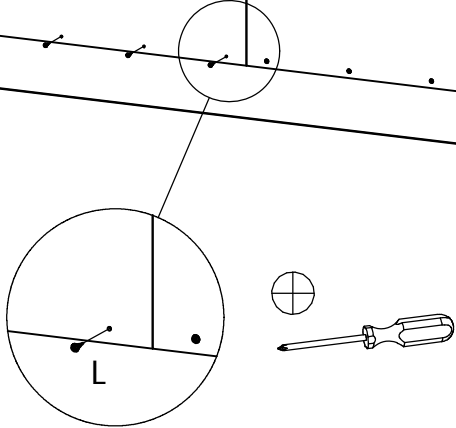
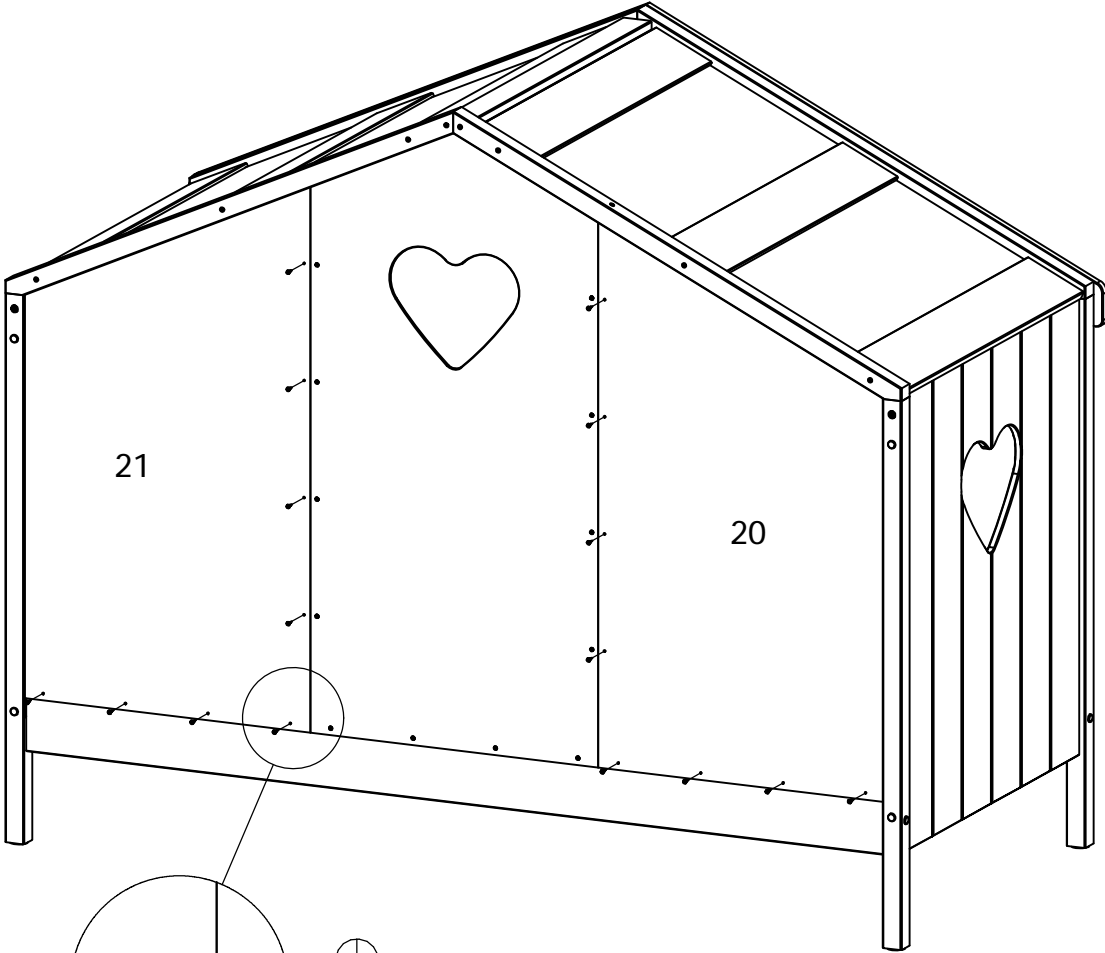
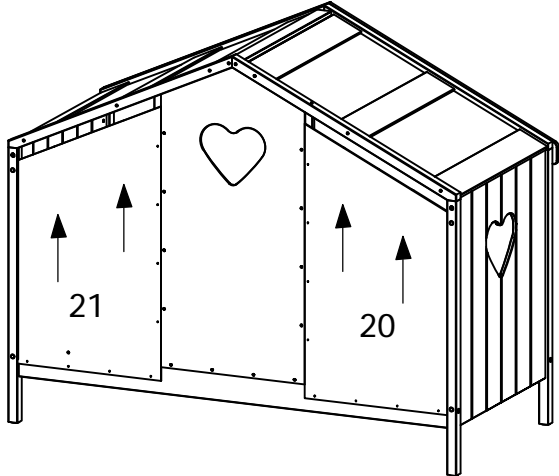
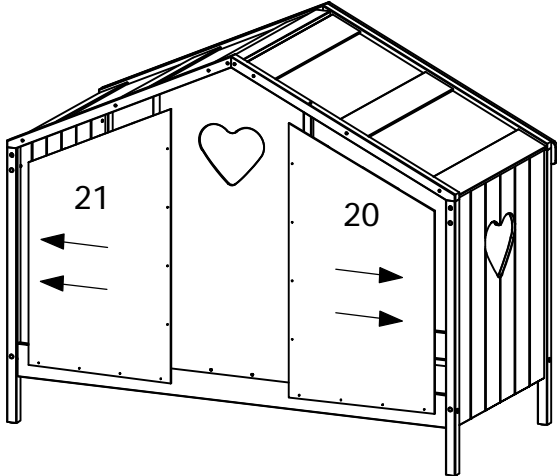
D		D10x12	4
E		D15x19	4
G		7x70	2


11



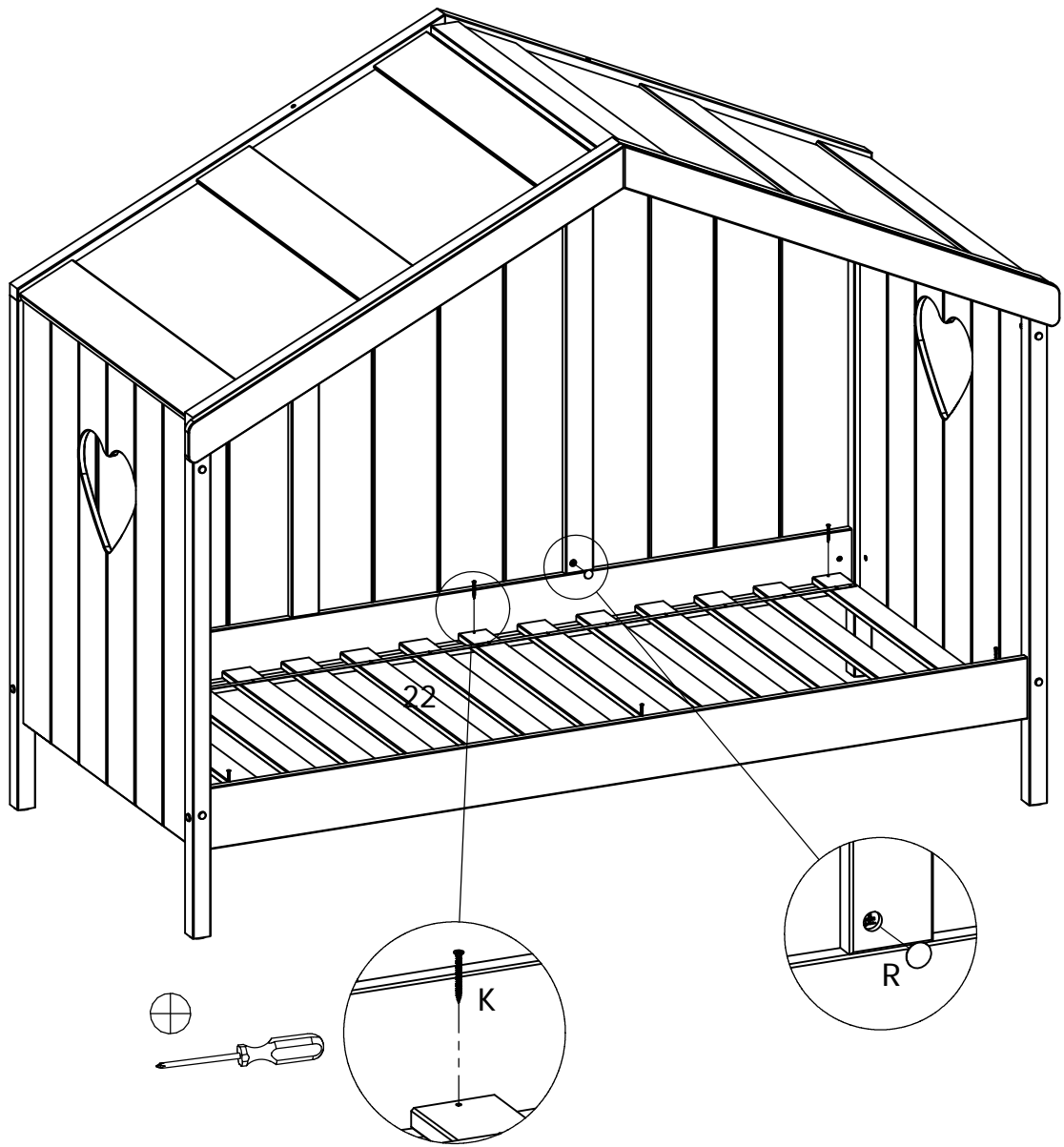
L		4x20	12
---	---	------	----



12



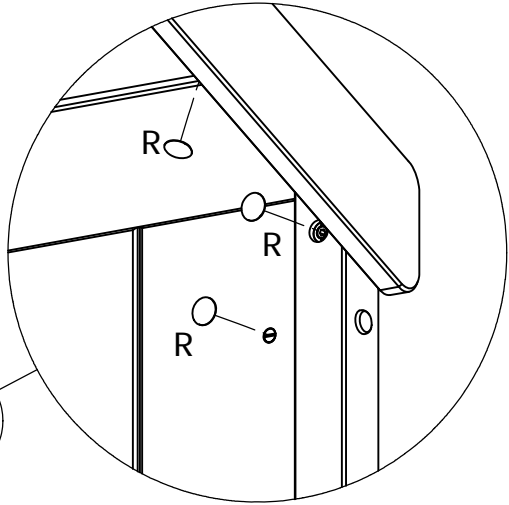
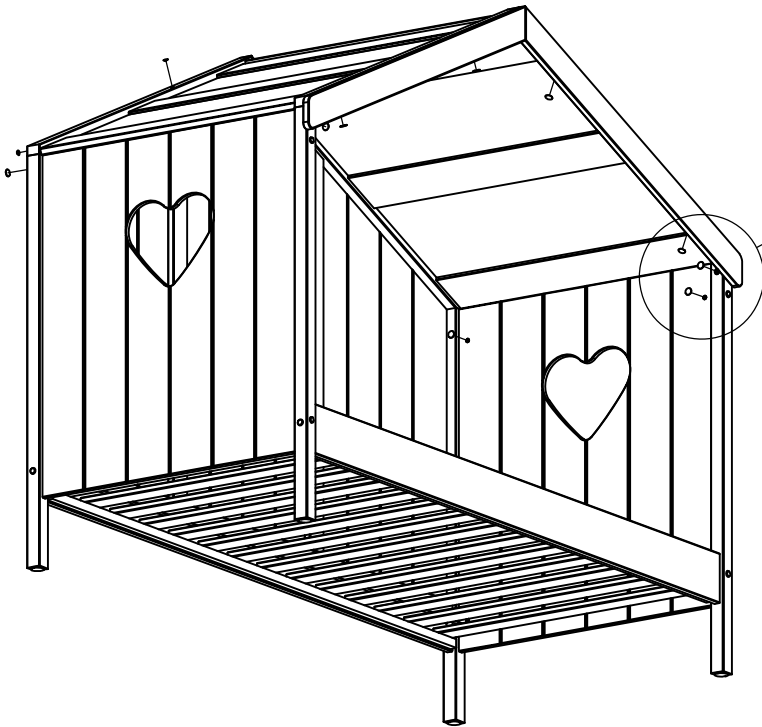
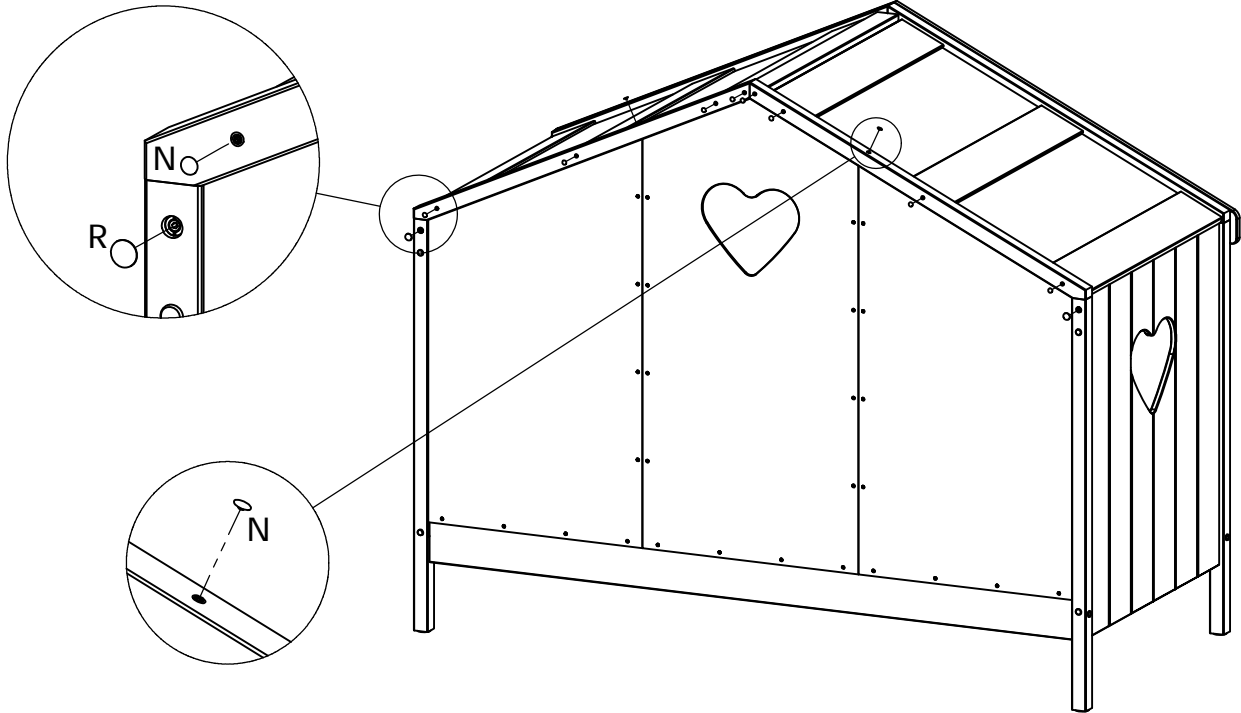
L		4x20	16
---	---	------	----

13



K		3,5x40	6
R		D20	1

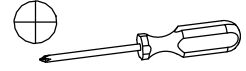
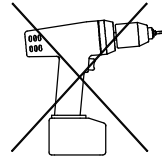
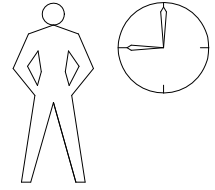
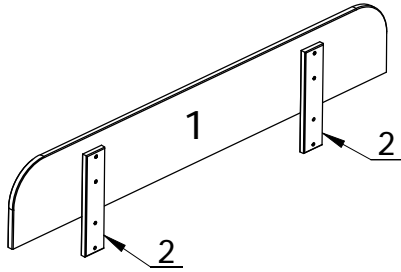
14



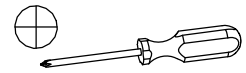
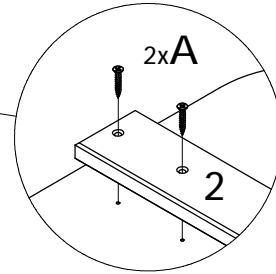
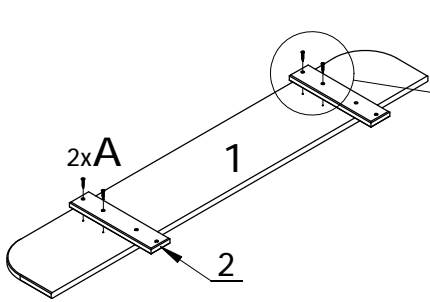
N		D4x13	10
R		D20	14



A		4x25	x8
---	--	------	----

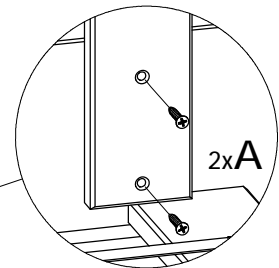
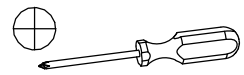
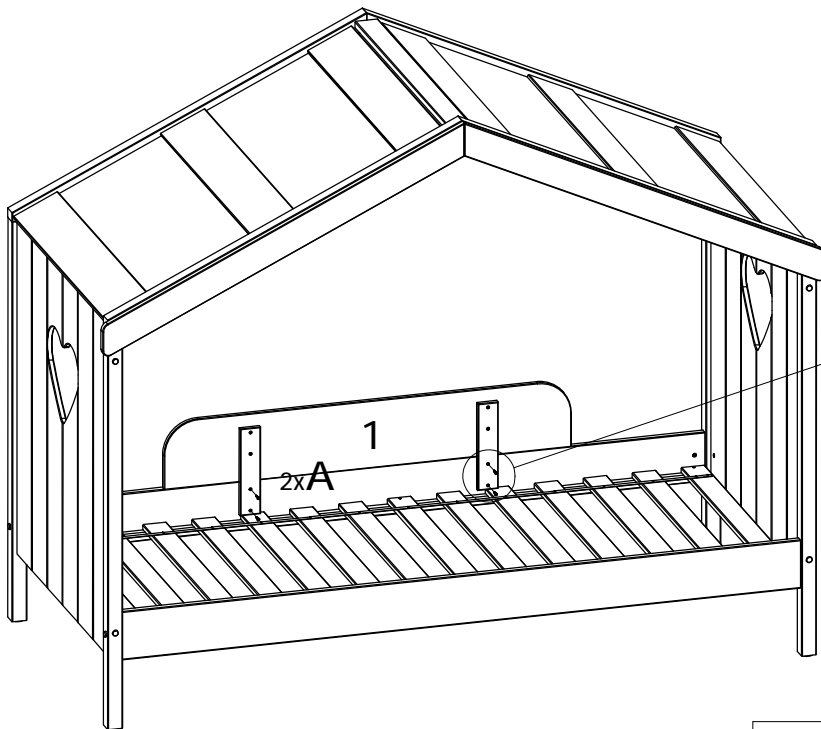


①



A		4x25	x4
---	--	------	----

②



A		4x25	x4
---	--	------	----