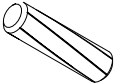
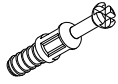

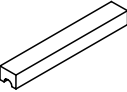


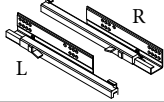
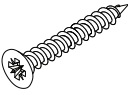
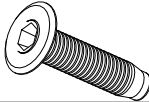
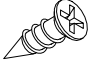
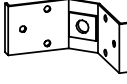
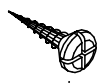
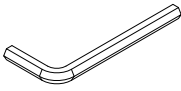

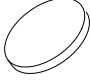


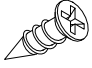
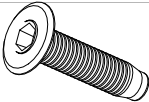
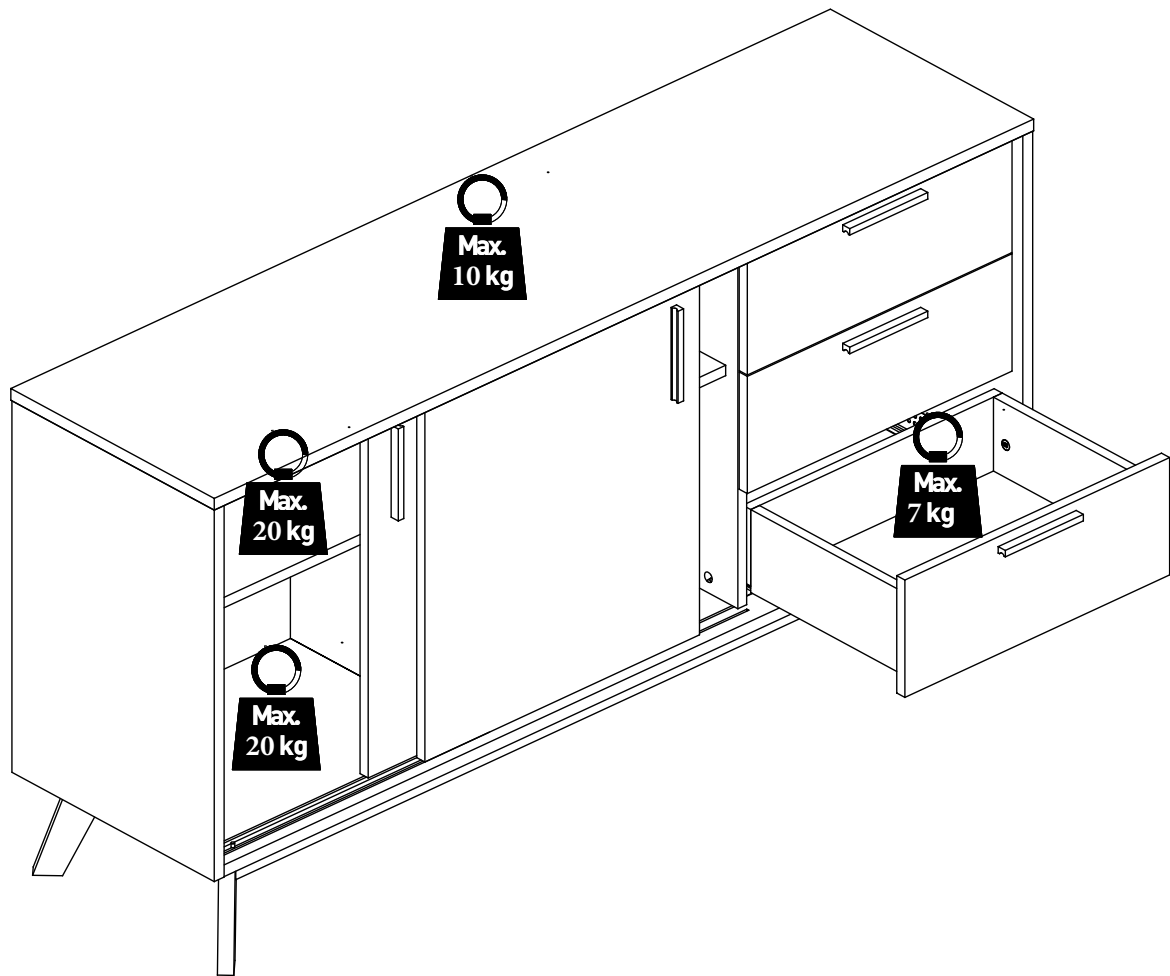
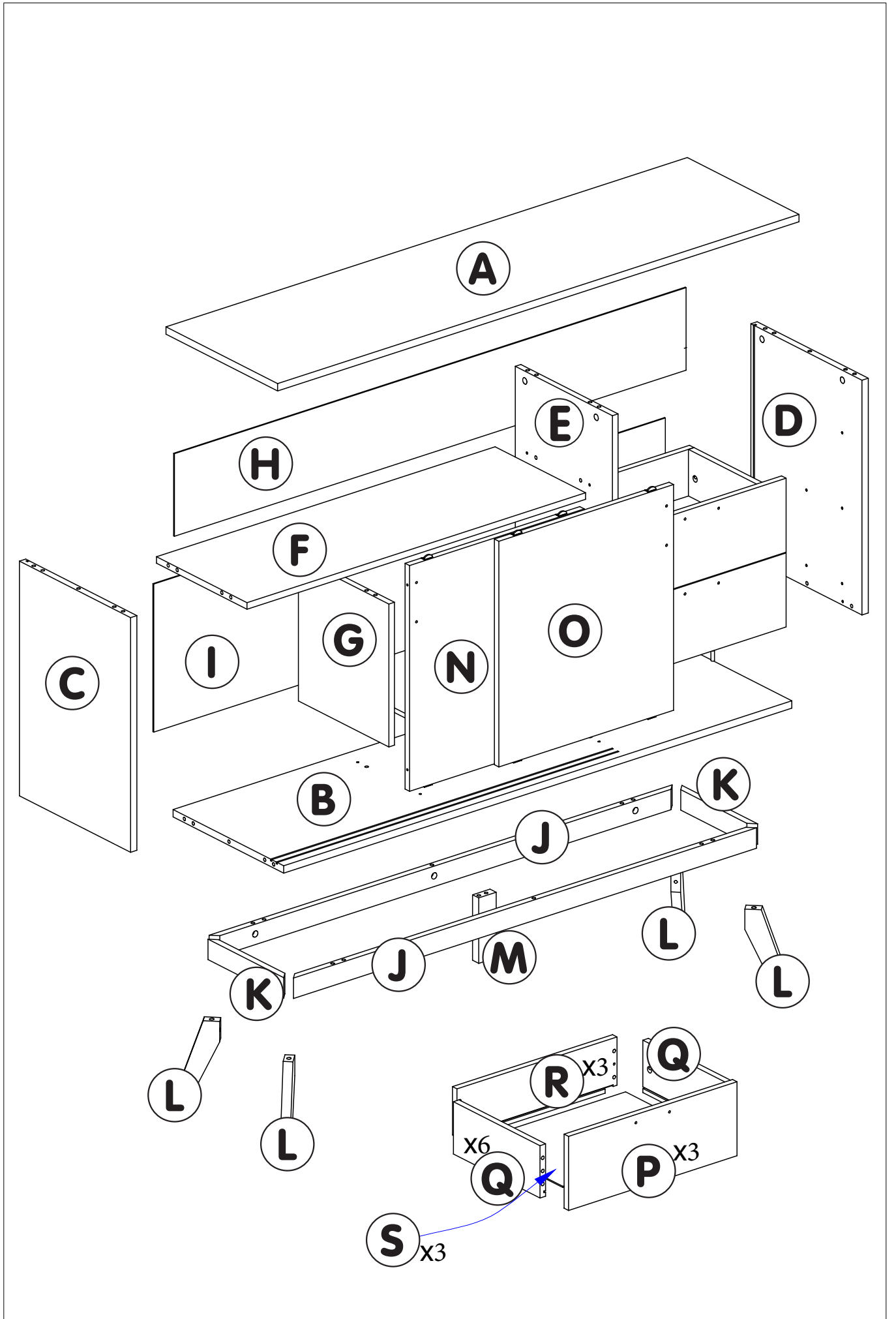


- (D) Montageanleitung
- (FR) Notice de montage Handleiding
- (NL) voor de montage Montážní
- (CZ) návod
- (HU) Szerelési útmutató
- (TR) Montaj talimatı

- (GB) Assembly instructions
- (IT) Istruzioni di montaggio
- (PL) Instrukcja montażu
- (SK) Návod na montáž
- (RO) Instrucțiuni de montaj
- (RU) Инструкция по монтажу
- (EE) Montaažjuhend

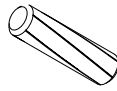
A1		x53 8x 35 mm	A2		x38	A3		x38
A4		x5	A5		x12 6,3 x 11	A6		x22
A7		x3	A8		x10 Ø3,5 x 30 mm	A9		x& M6 x 30 mm
A10		x3 Ø3 x 20 mm	A11		x4 90x40x1,5	A12		x24 3,5 x 16 mm
A13		x1 4 mm	A14		x8	A15		x5
A16		x6	A17		x3	A18		x6 3,5 x 15 mm
A19		x1 M6 x 40 mm						





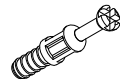
1

A1

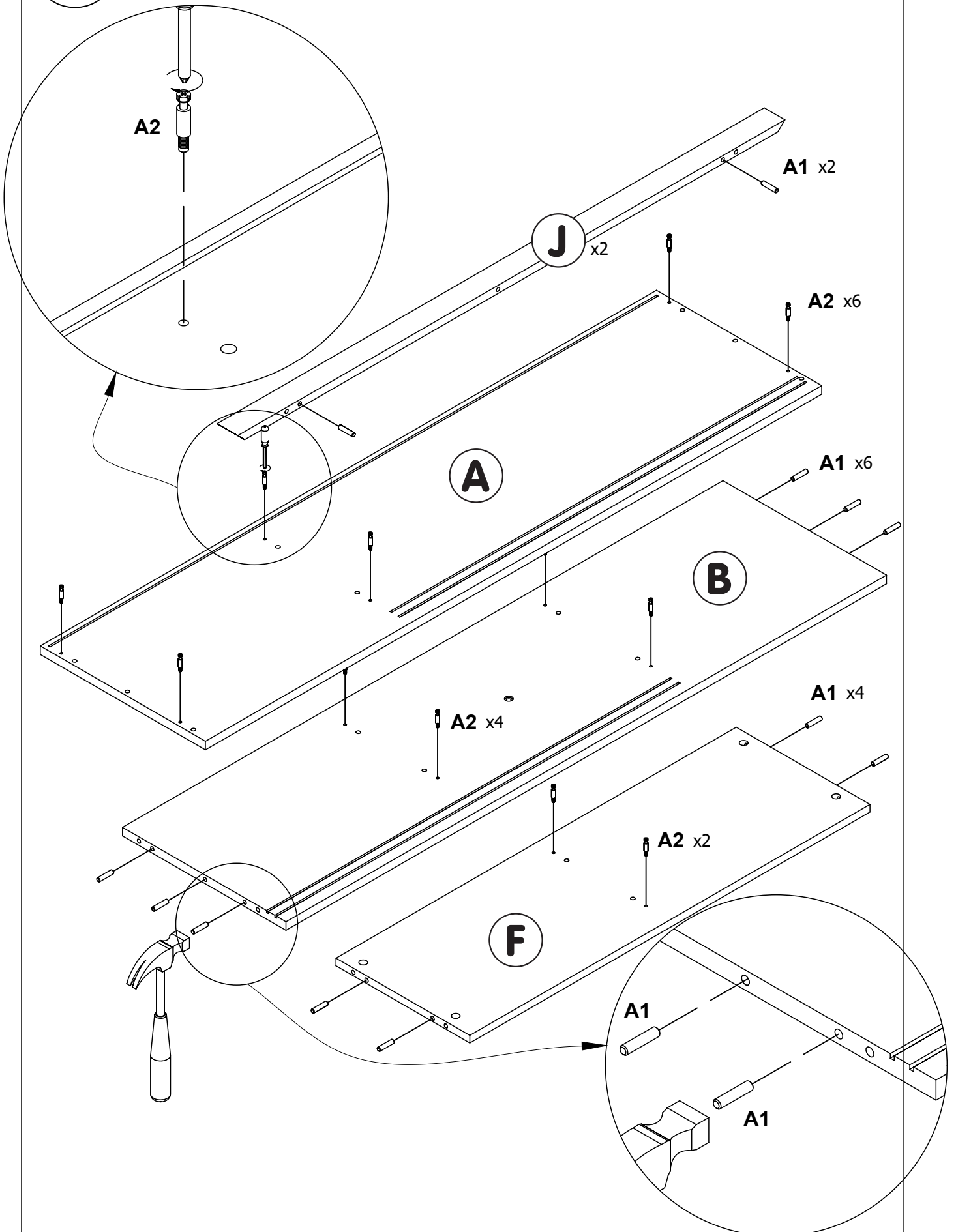


x14
8x 35 mm

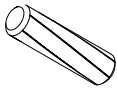
A2



x12

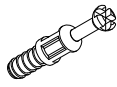


A1



x7
8x 35 mm

A2



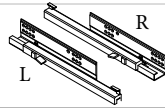
x4

A5



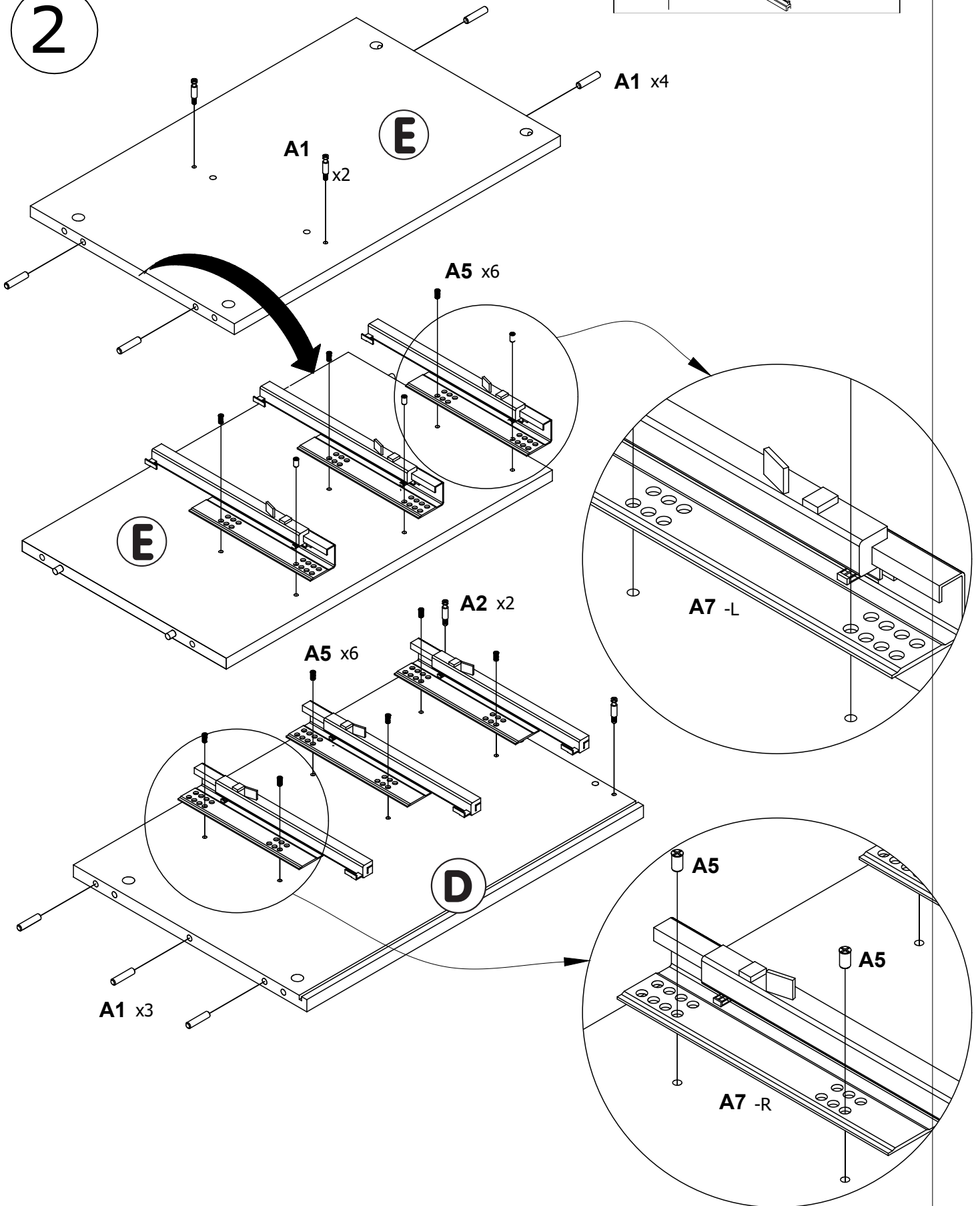
x12
6,3 x 11

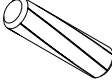
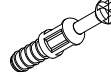
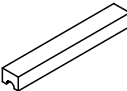
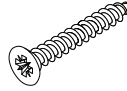

A7

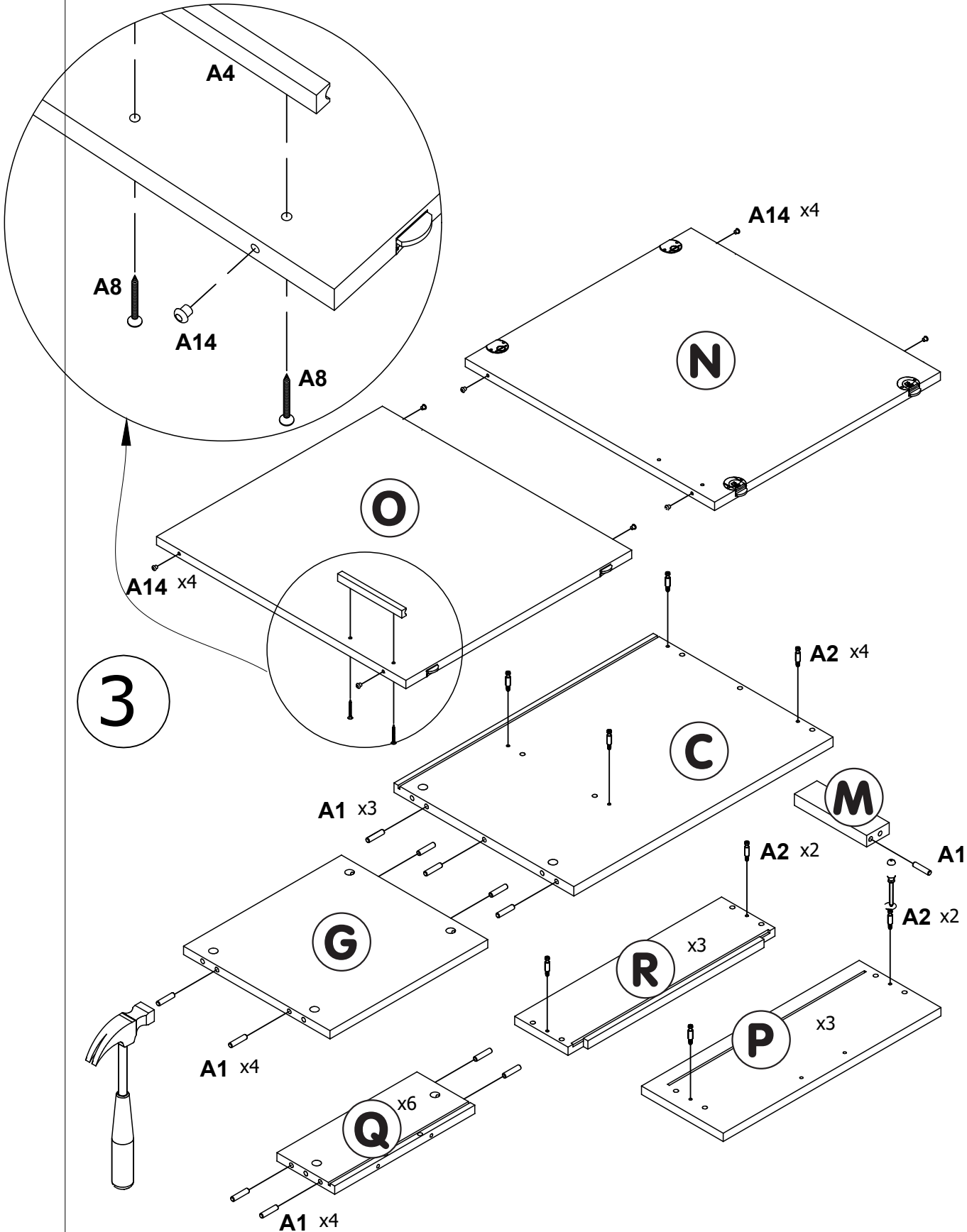


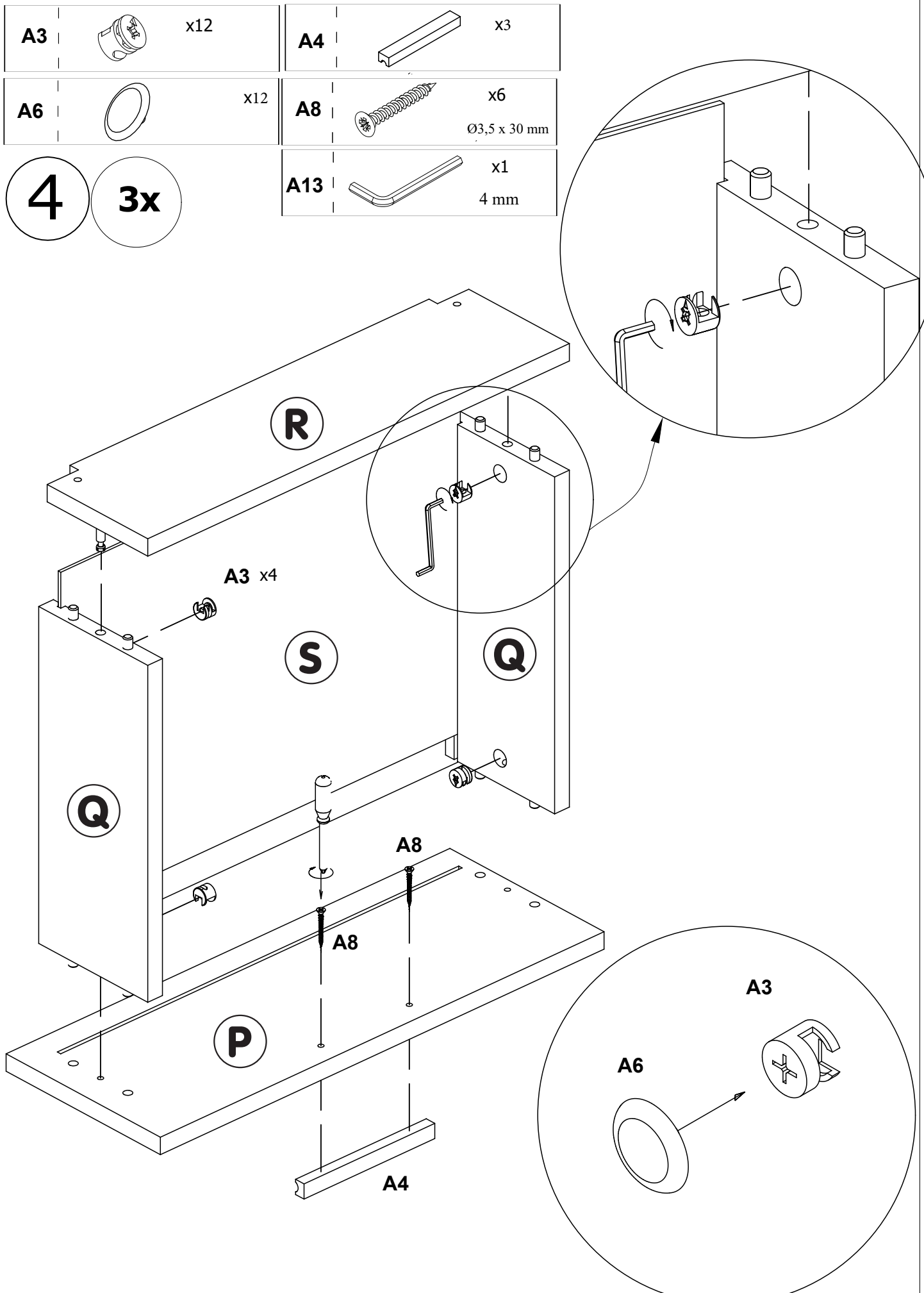
x3

2


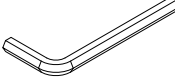


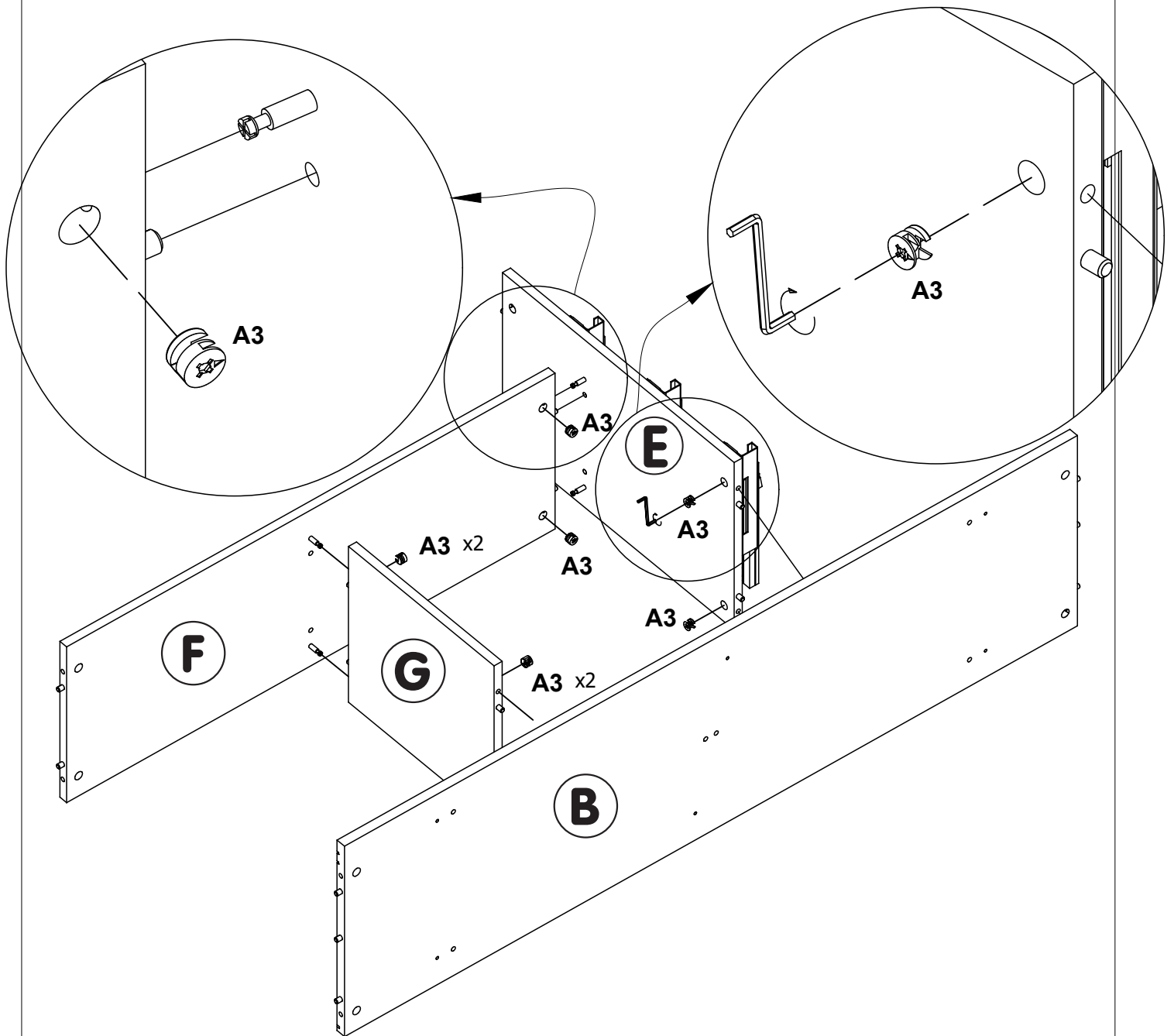
A1		x32 8x 35 mm	A2		x16
A4		x1	A8		x2 Ø3,5 x 30 mm
			A14		x8




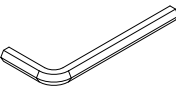


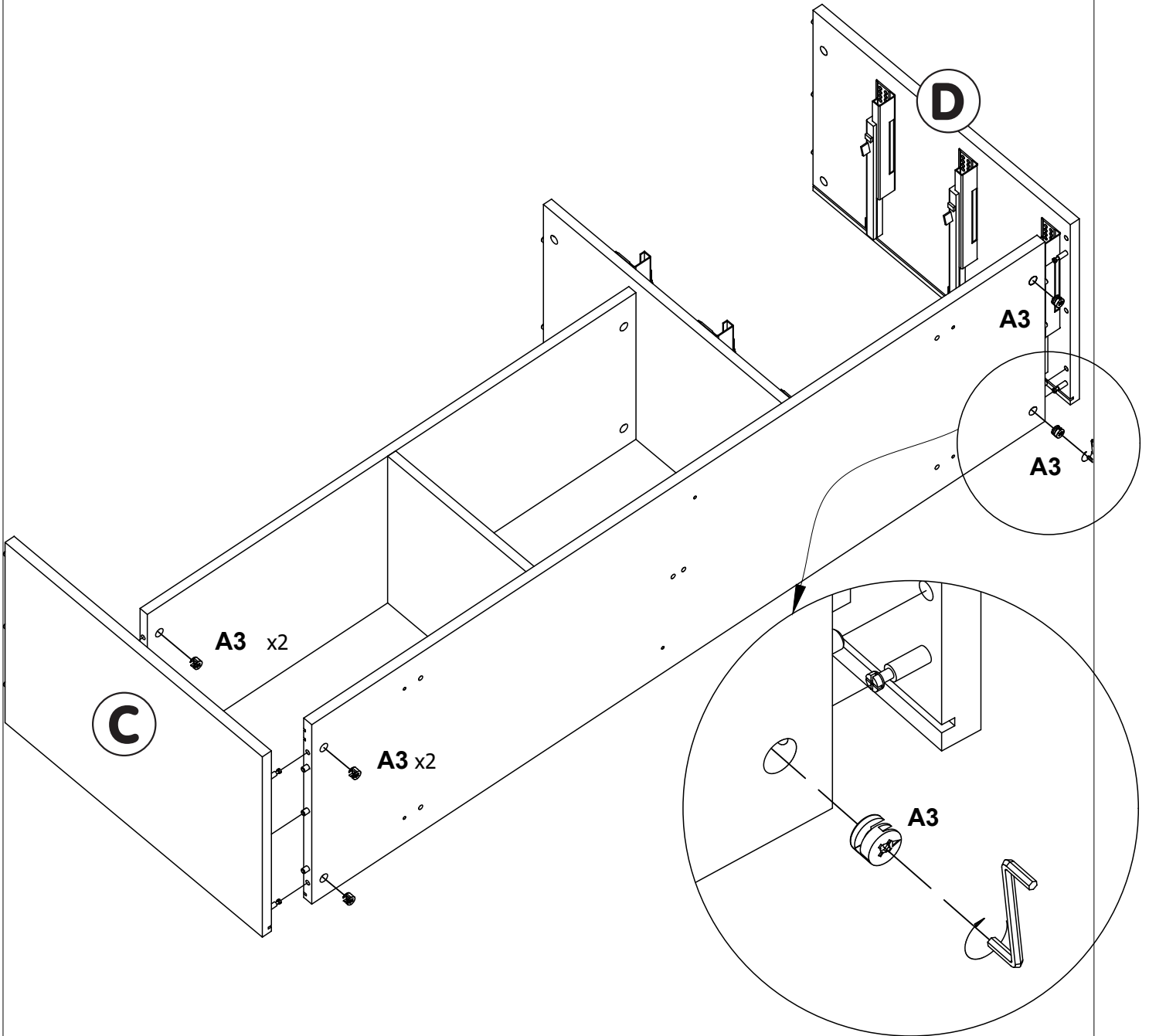
5

A3		x8	A13		x1 4 mm
----	-----------------------------------------------------------------------------------	----	-----	-----------------------------------------------------------------------------------	------------


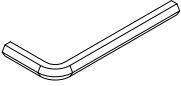


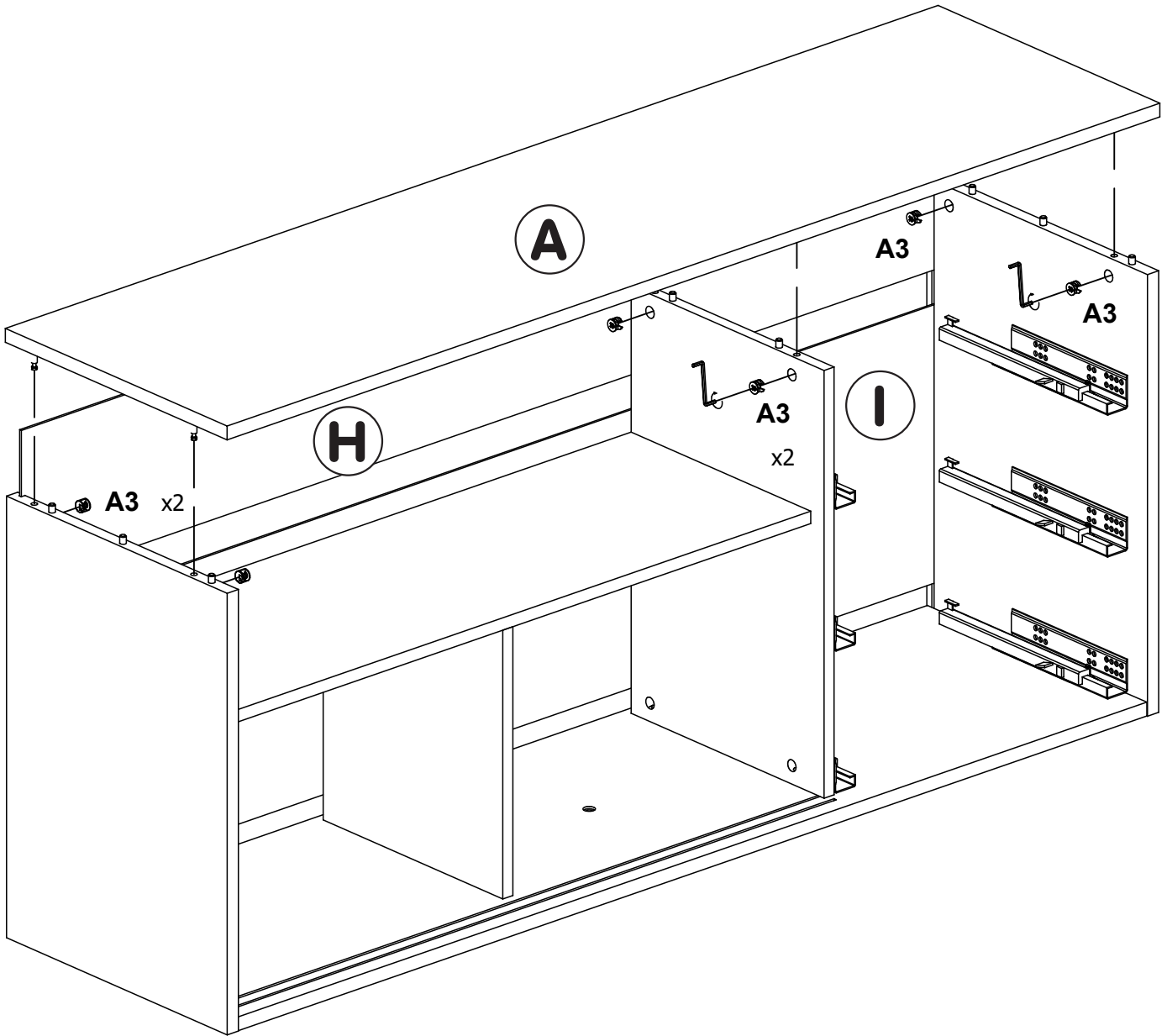
6

A3		x6	A13		x1 4 mm
-----------	-----------------------------------------------------------------------------------	----	------------	-----------------------------------------------------------------------------------	------------



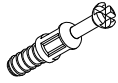
7

A3	 x6	A13	 x1 4 mm
----	--------------------------------------------------------------------------------------	-----	----------------------------------------------------------------------------------------------

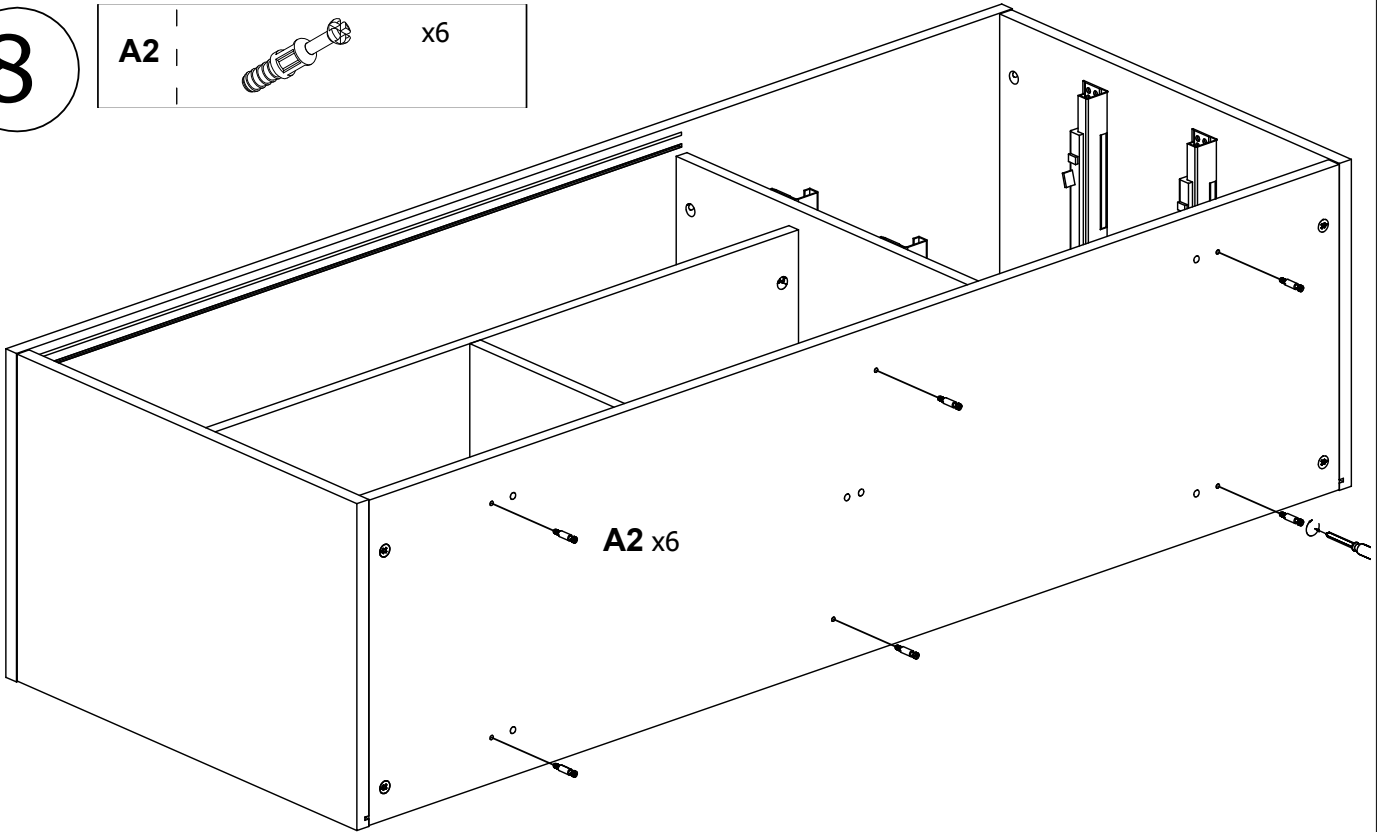


8

A2

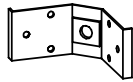


x6



9

A11



x4

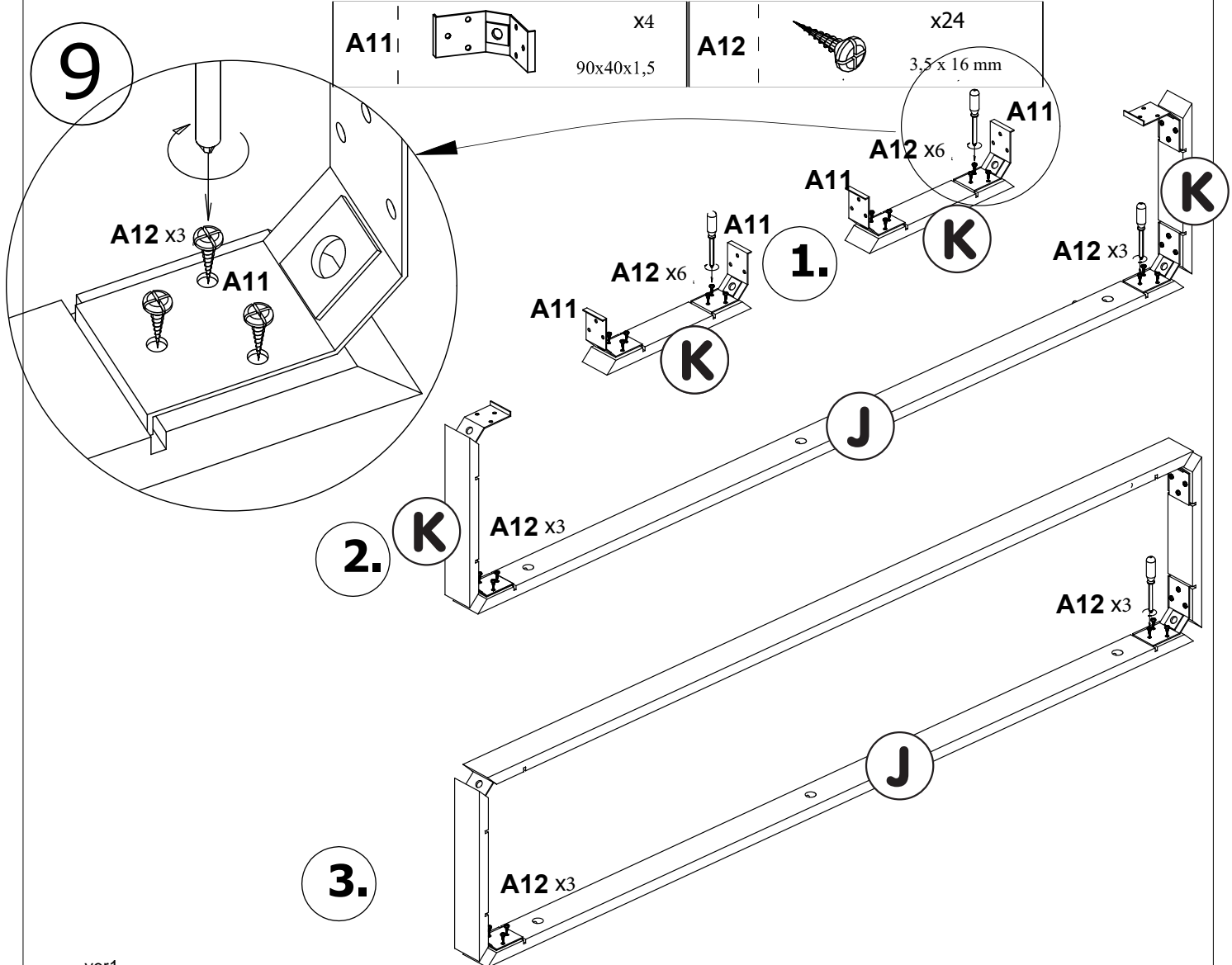
90x40x1,5

A12


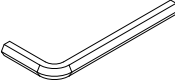


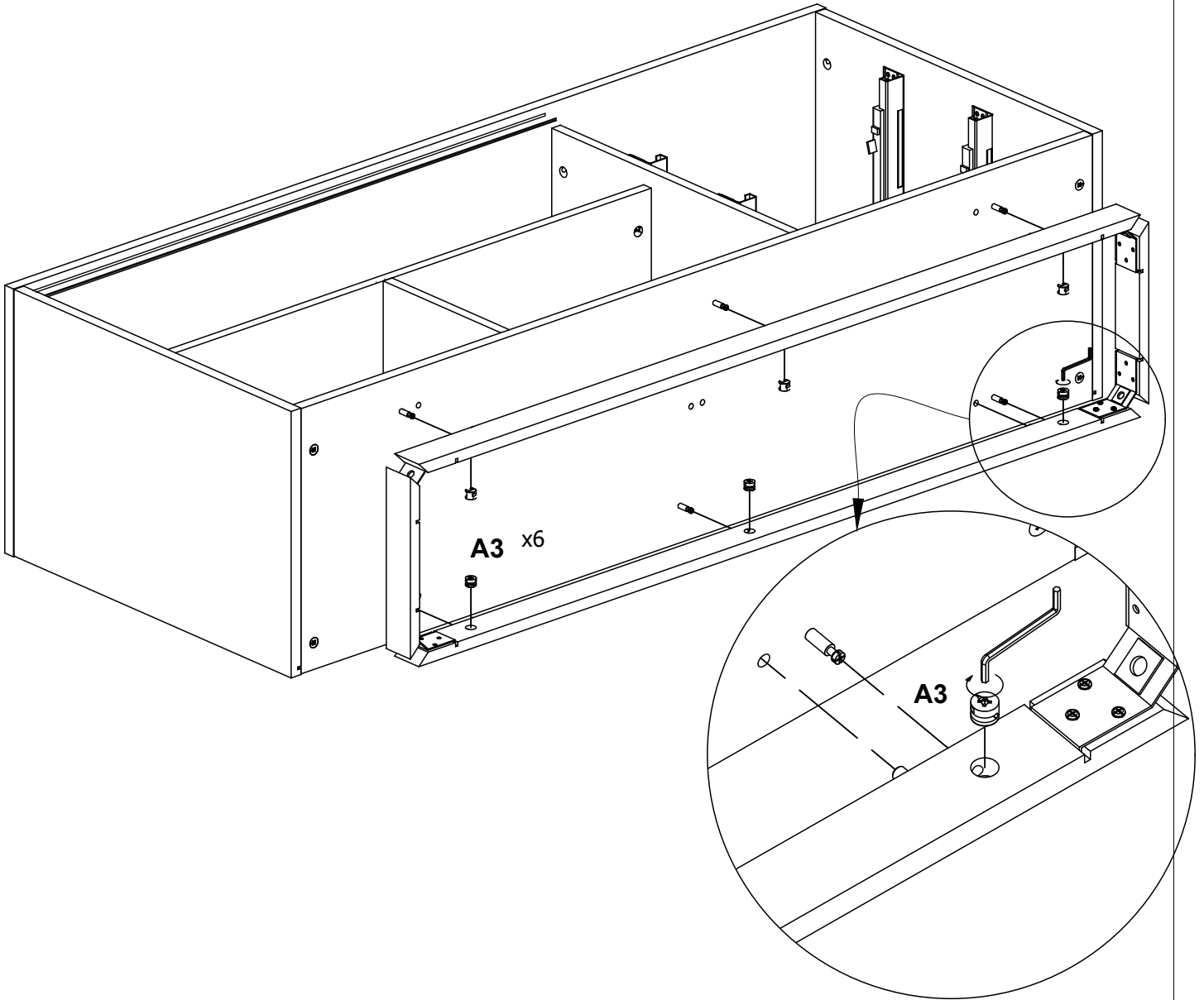
x24

3,5 x 16 mm

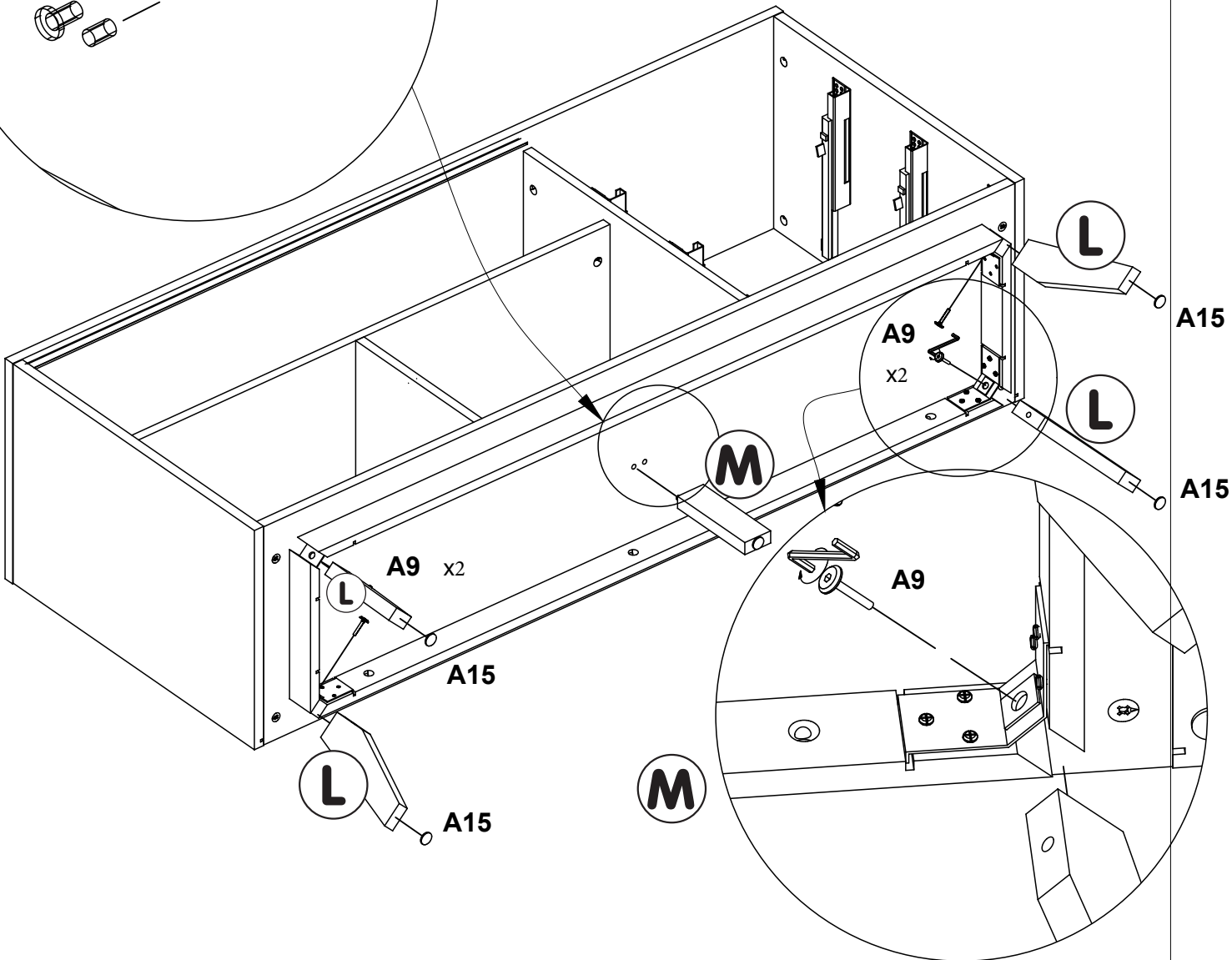
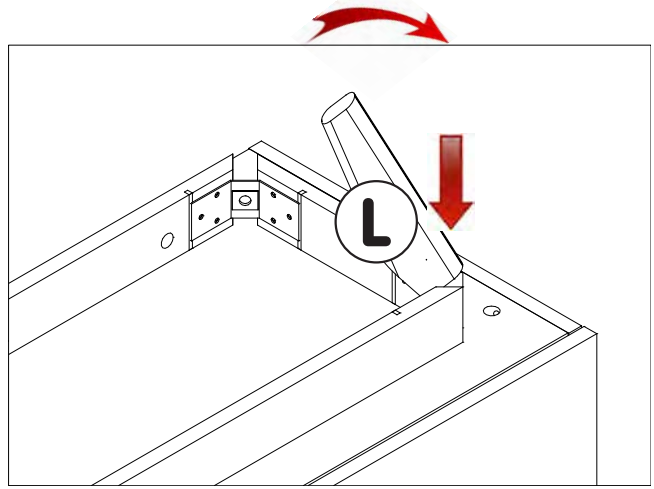
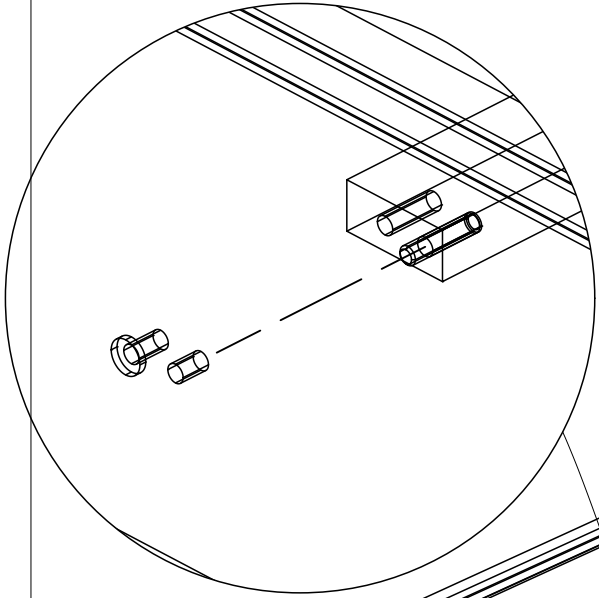
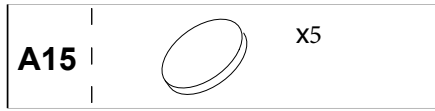
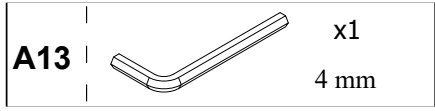
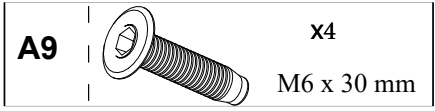


10

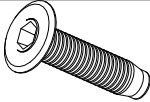
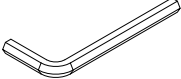
A3		x6	A13		x1 4 mm
----	-----------------------------------------------------------------------------------	----	-----	-----------------------------------------------------------------------------------	------------

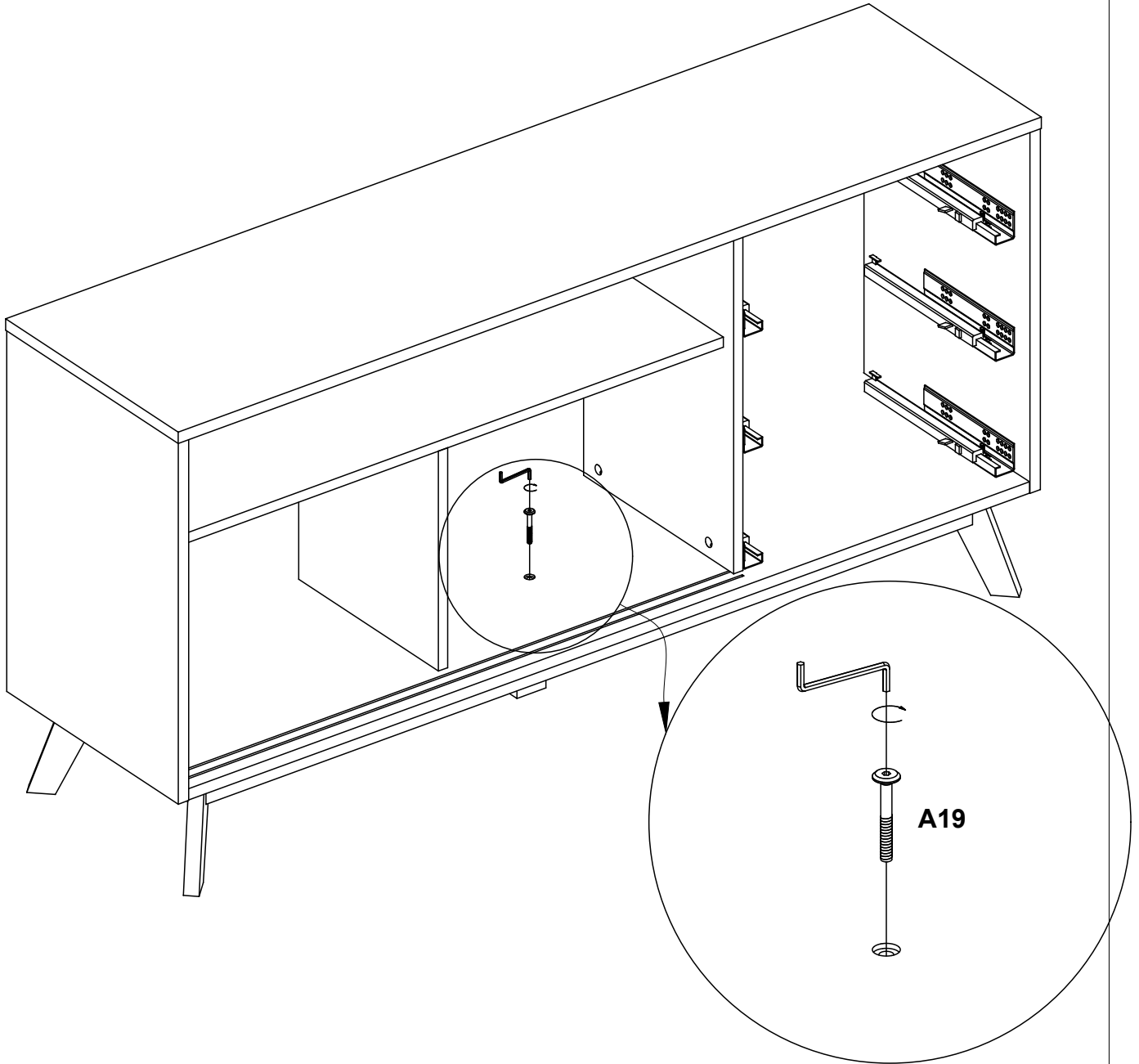


11

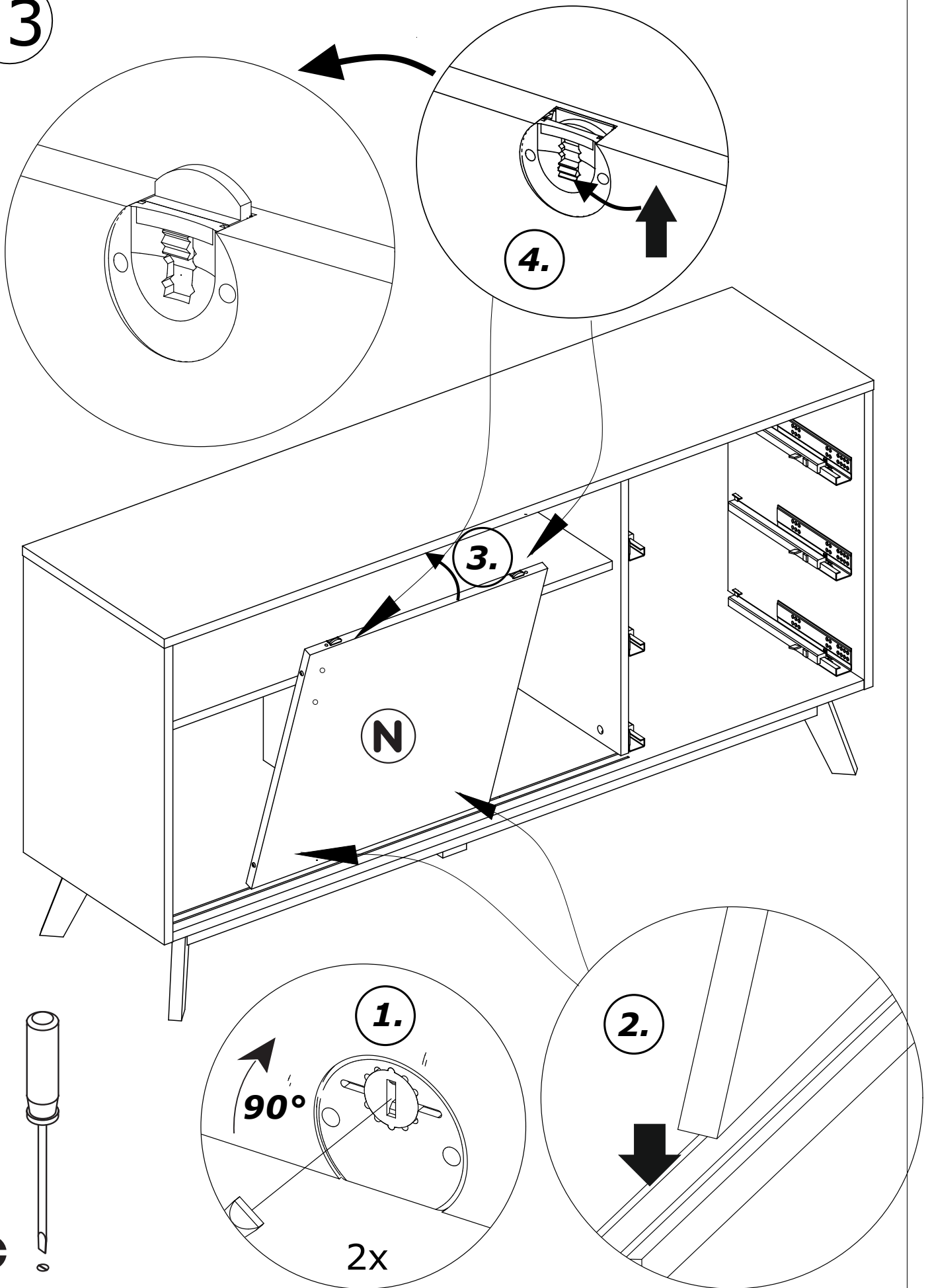


12

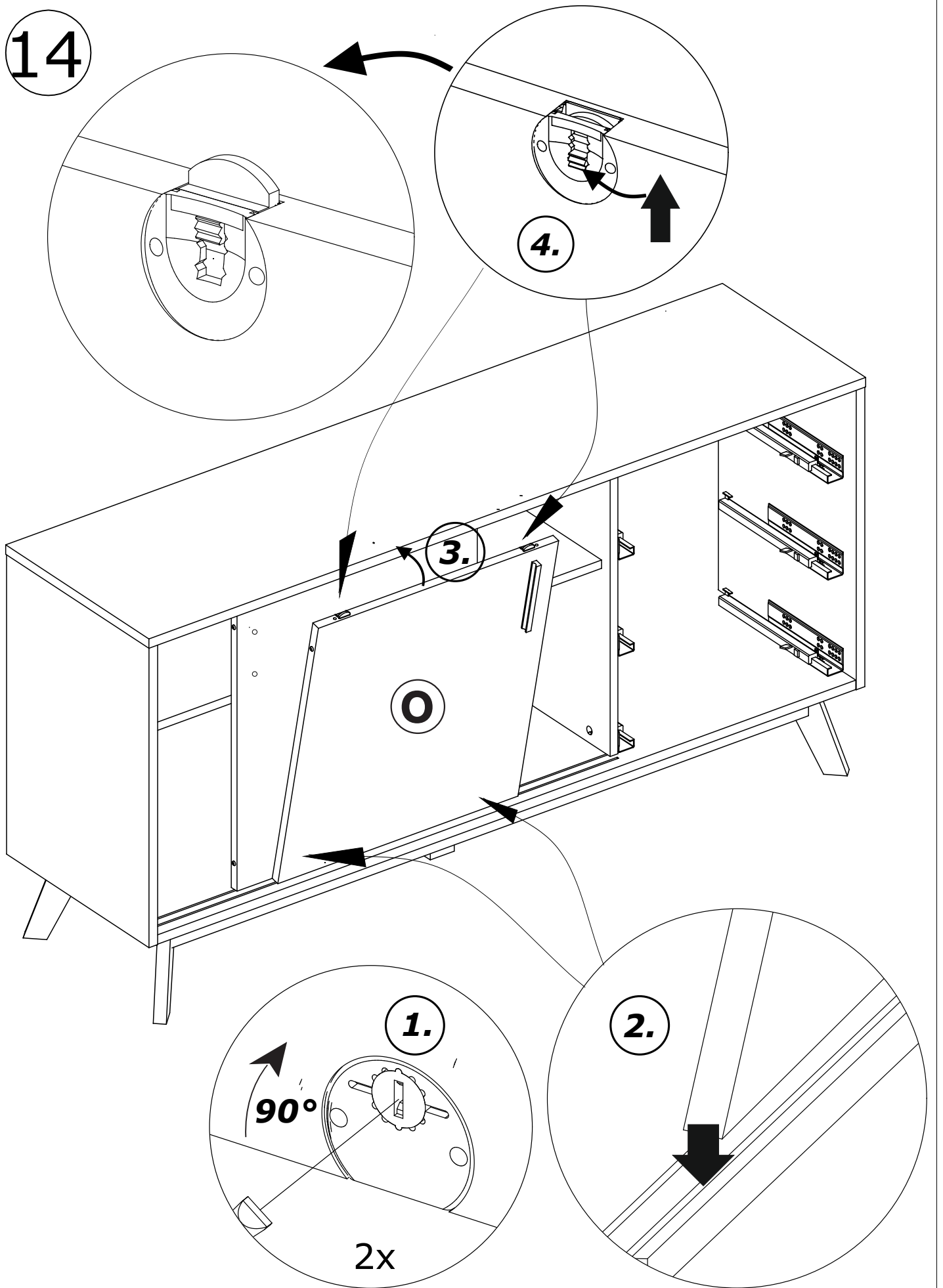
A19		x1 M6 x 40 mm	A13		x1 4 mm
------------	-----------------------------------------------------------------------------------	------------------	------------	------------------------------------------------------------------------------------	------------



13

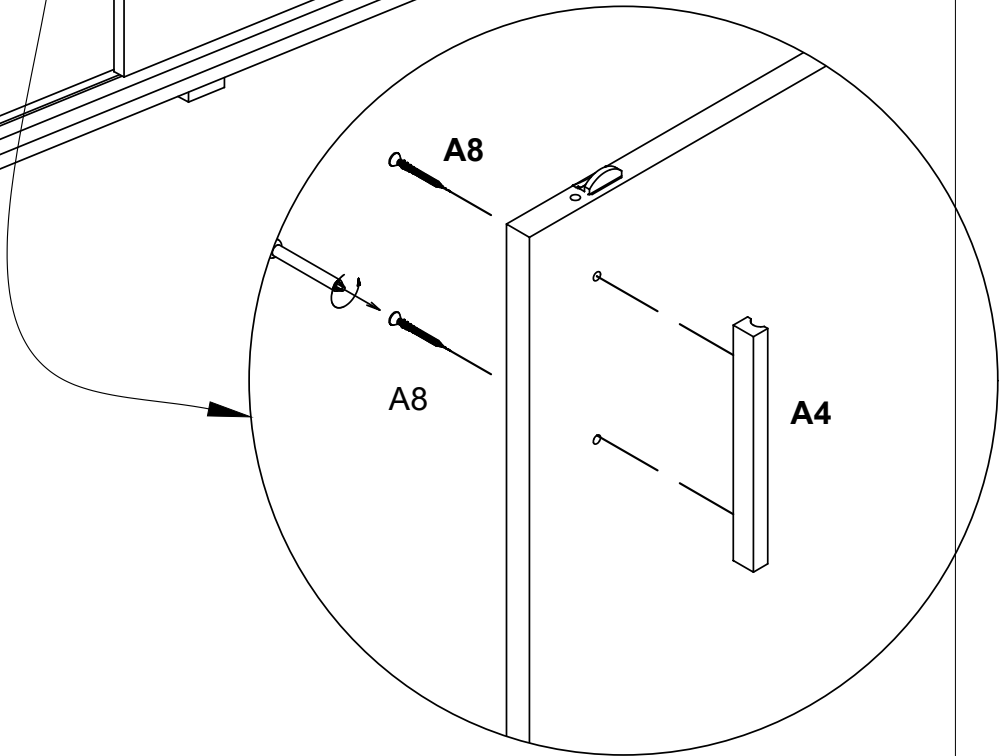
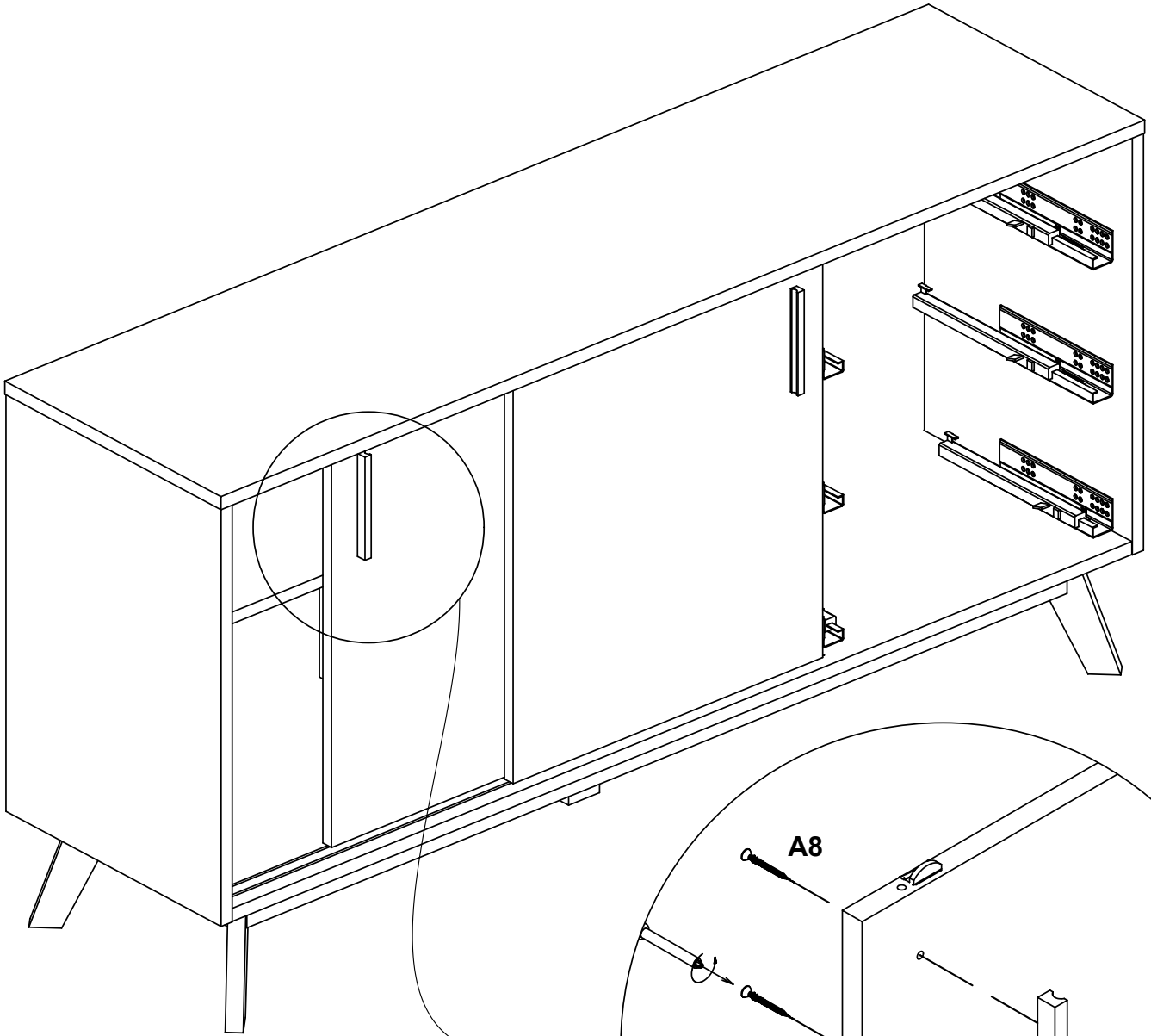


14

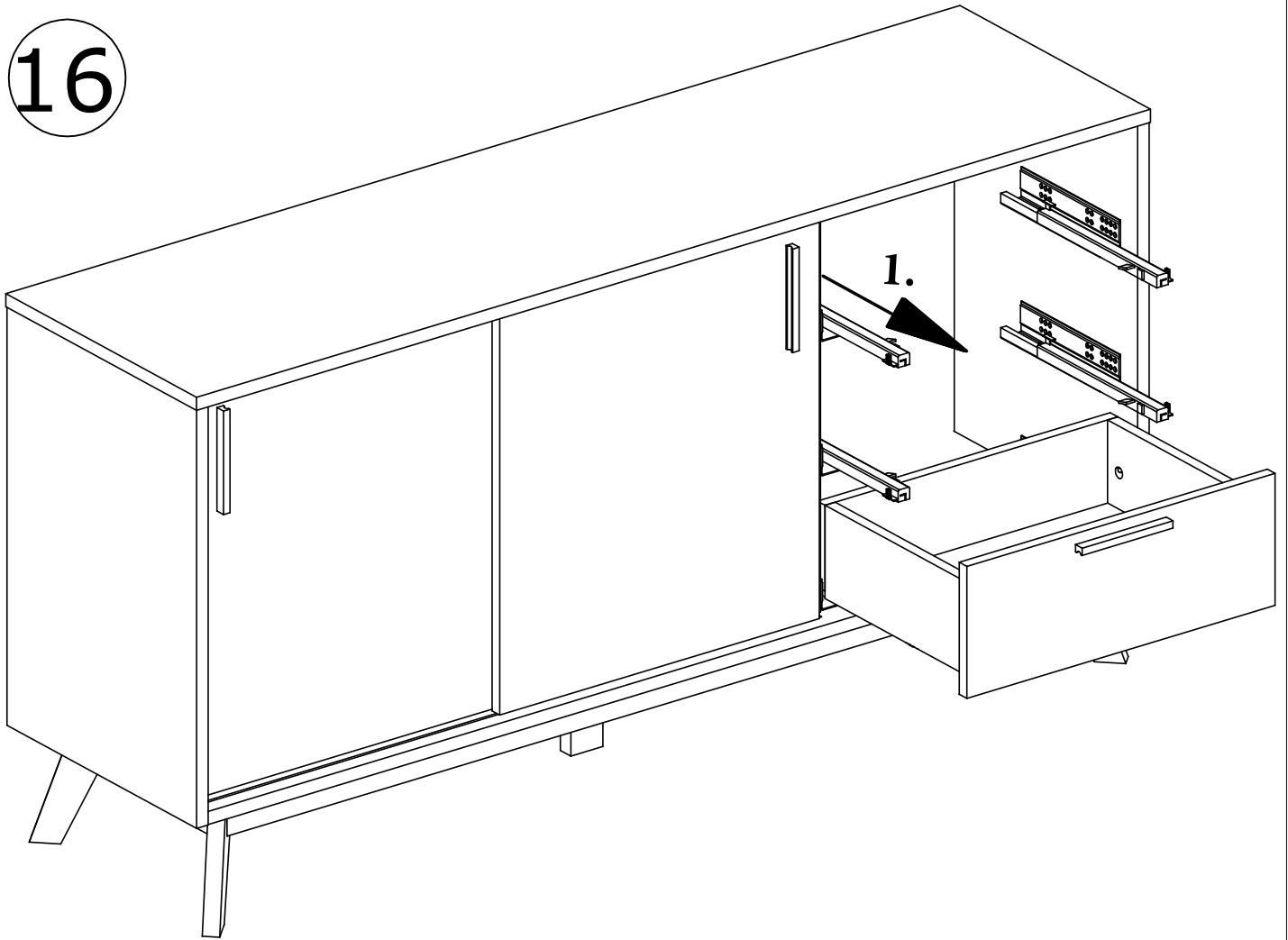


15

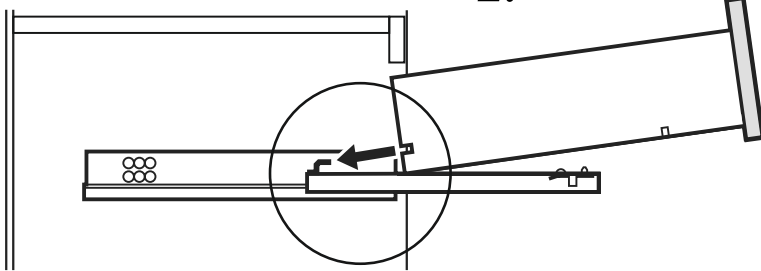
A4		x1	A8		x2
					Ø3,5 x 30 mm



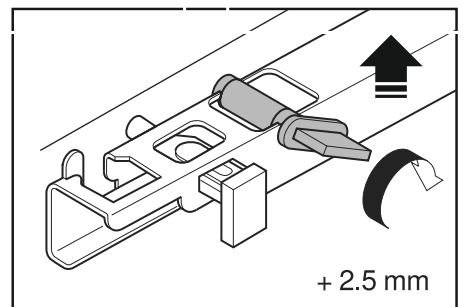
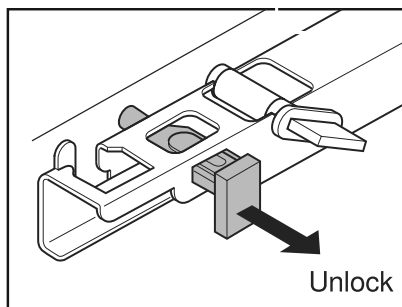
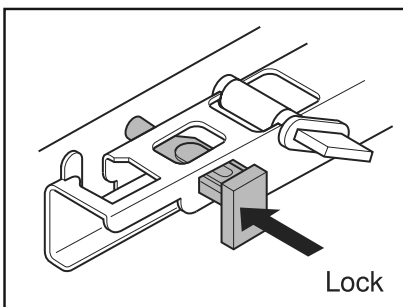
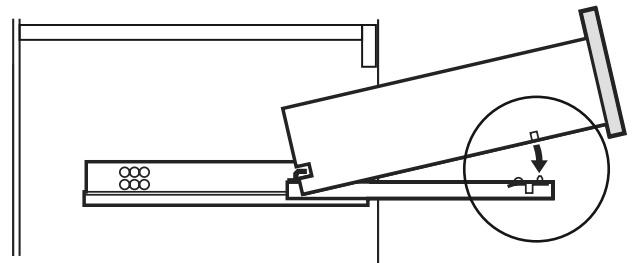
16




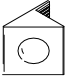
2.

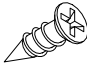


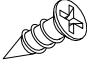
3.



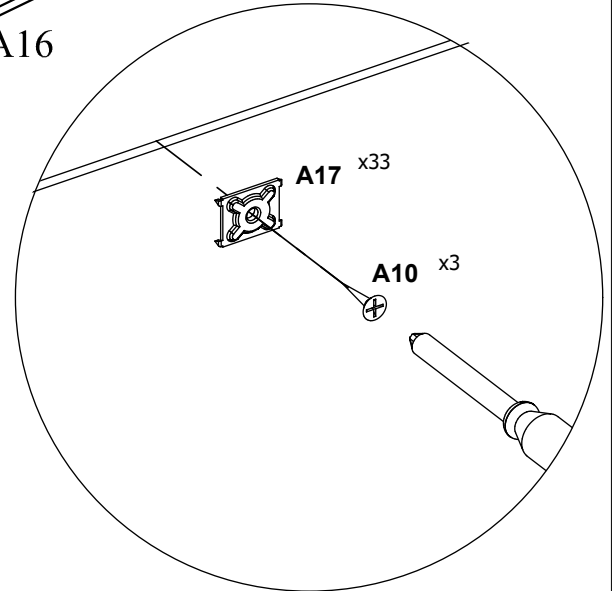
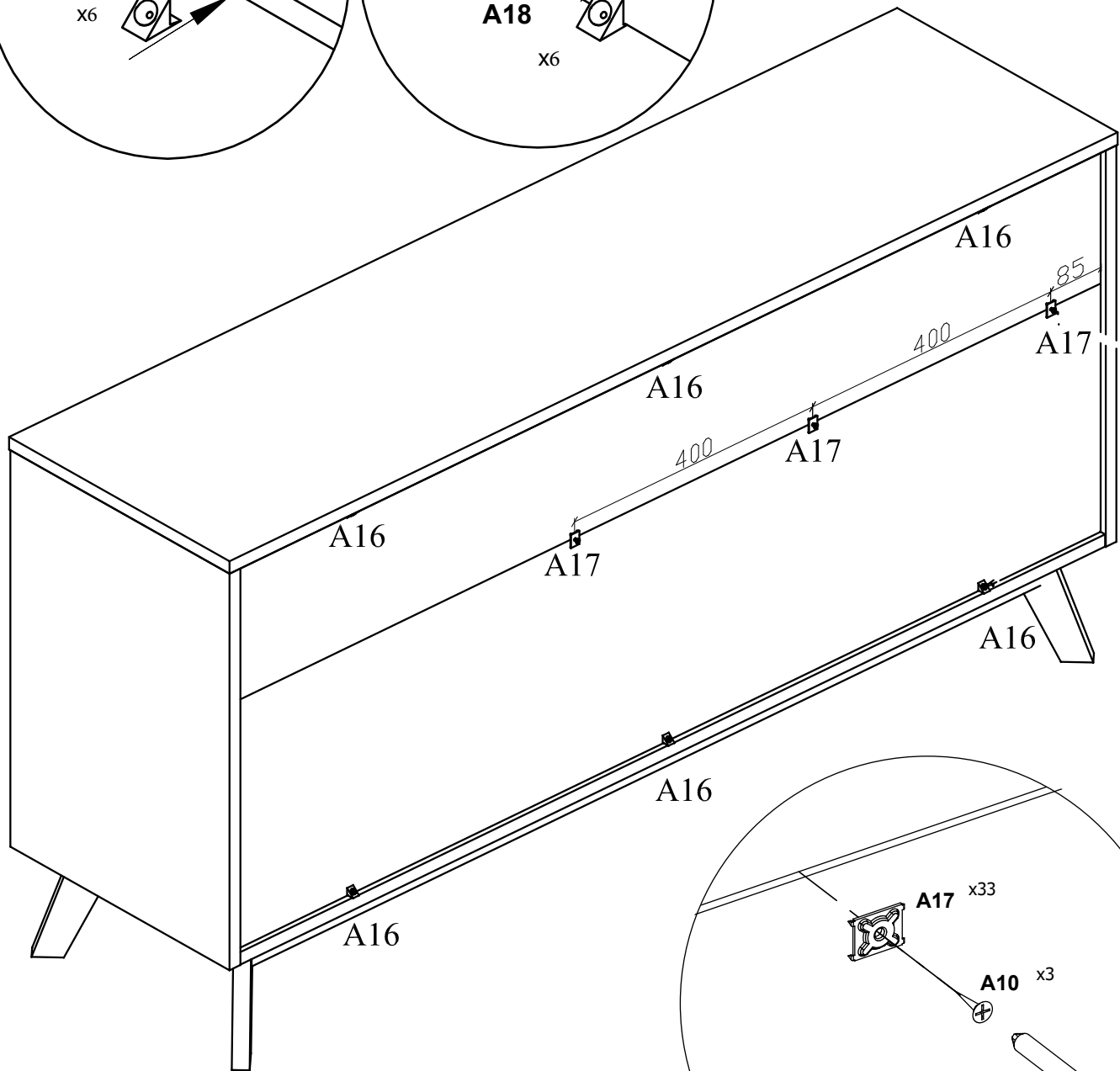
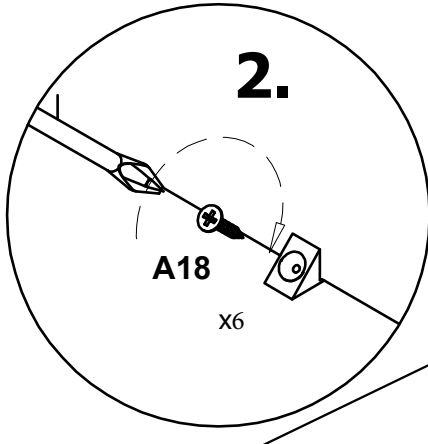
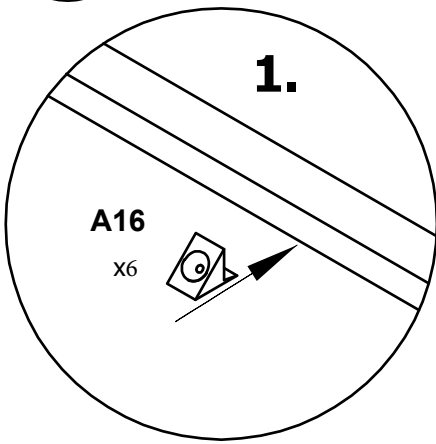
A17		x3
------------	-----------------------------------------------------------------------------------	----

A16		x6
------------	-----------------------------------------------------------------------------------	----

A18		x6 3,5 x 15 mm
------------	-------------------------------------------------------------------------------------	-------------------

A10		x3 Ø3 x 20 mm
------------	-------------------------------------------------------------------------------------	------------------

17





Safety and Care Advice

Important - Please read these instructions fully before starting assembly

Check you have all the components and tools.

Remove all fittings from the plastic bags and separate them into their groups.

Keep children and animals away from the work area, small parts could choke if swallowed.

Make sure you have enough space to layout the parts before starting.

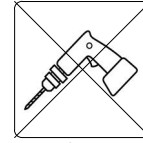
Do not stand or put weight on the product, this could cause damage.

Assemble the item as close to its final position (in the same room) as possible. Do not place furniture directly in front of radiators, fires or any other source of heat.



Parts of the assembly will be easier with 2 people.

Assemble on a soft level surface to avoid damaging the unit or your floor.



We do not recommend the use of power drill/drivers for inserting screws, as this could

damage the unit. Only use hand screwdrivers.

Dispose of all packaging carefully and responsibly.

General care and maintenance

Only clean using a damp cloth and mild detergent, do not use bleach or abrasive cleaners.

From time to time check that there are no loose screws and connectors on this unit.

This product should not be discarded with household waste. Take to your local authority waste disposal centre.

Cleaning and care of high gloss surfaces

Regular dusting with a dry cloth will keep your units clean.

Clean marks with a damp cloth.

Do not allow spillages to stay on the surface for long.

Do not clean with products containing the following: Acetone, (e.g. nail varnish remover). Ammonia (e.g. bleach). or Sodium hydroxide (e.g. Caustic soda, drain and oven cleaners).

Do not use abrasive cleaners.

To remove stubborn stains, wipe over with a damp cloth and washing up liquid.

In the event of accidental contact with aggressive cleaners, rinse thoroughly with water.

Use place mats to protect the surface from moisture and heat.

Maximum weight limit

