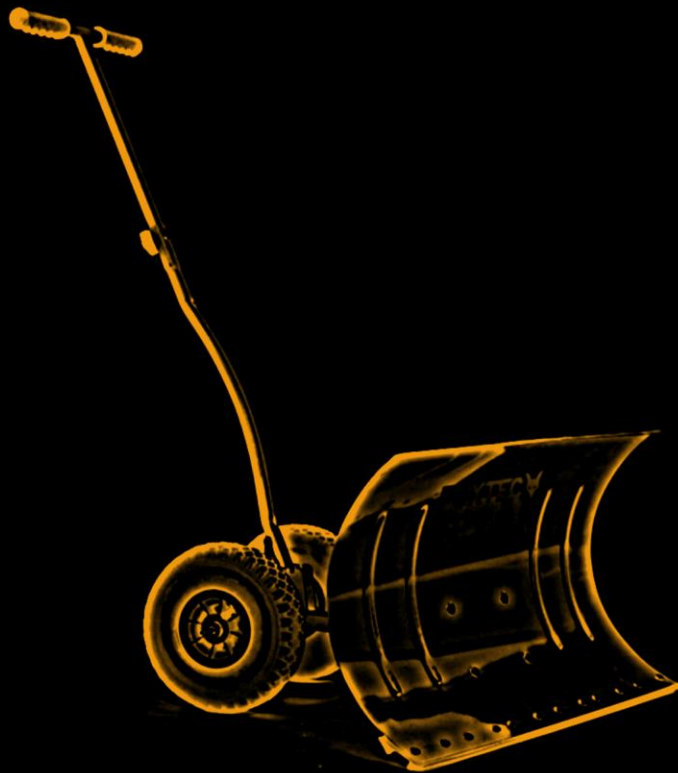


FUXTEC

de en fr it es pt nl se pl

FX-SS740



FUXTEC GmbH
Kappstraße 69 | 71083 Herrenberg | Germany
www.fuxtec.com | info@fuxtec.com

Inhalt

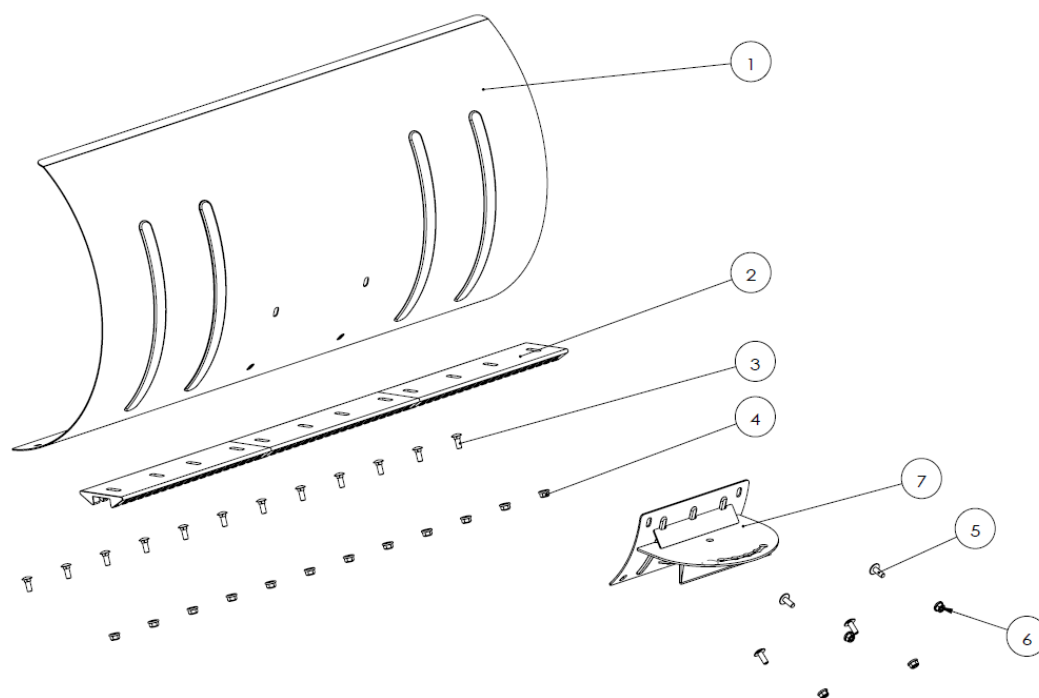
| | |
|-----------------------------|----|
| DEUTSCHE VERSION | 3 |
| ENGLISH VERSION..... | 9 |
| VERSION FRANCAISE..... | 15 |
| VERSIONE ITALIANA..... | 21 |
| VERSION ESPANOLA | 27 |
| VERSAO PORTUGUESA | 33 |
| NEDERLANDSE VERSIE | 39 |
| SVENSK VERSION | 45 |
| POLSKA WERSJA JEZYKOWA..... | 51 |

DEUTSCHE VERSION

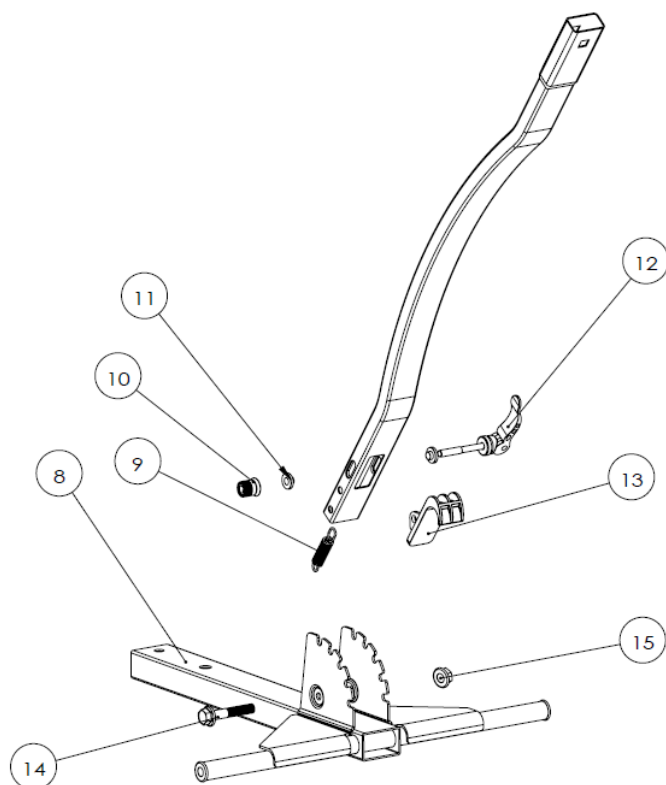
Schneeschieber

FX-SS740

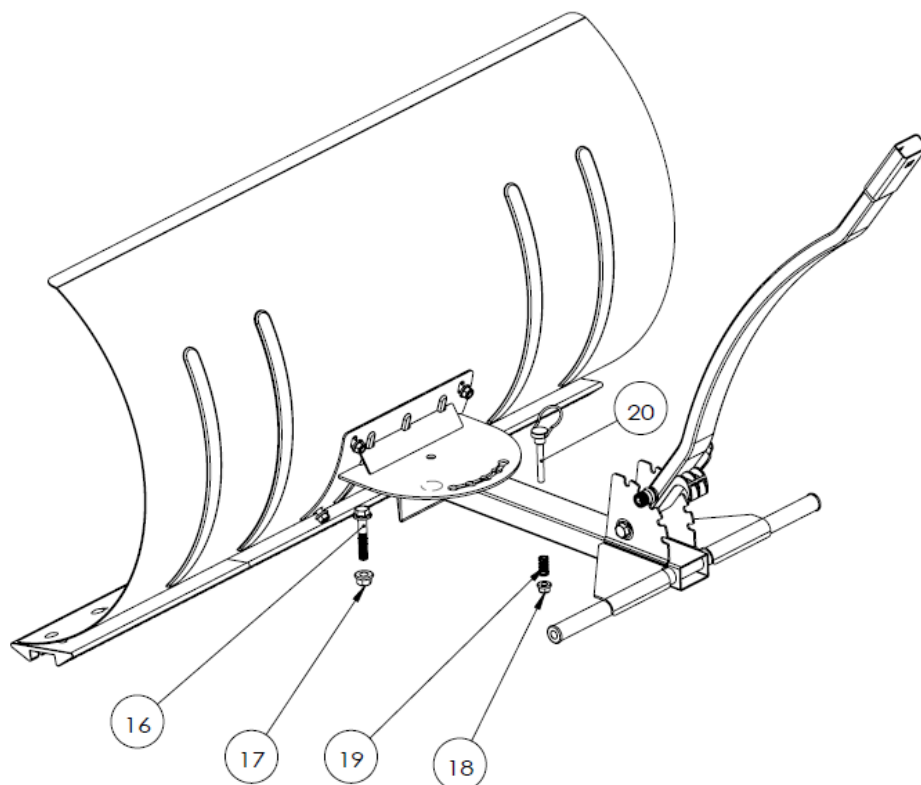
Montage Anleitung



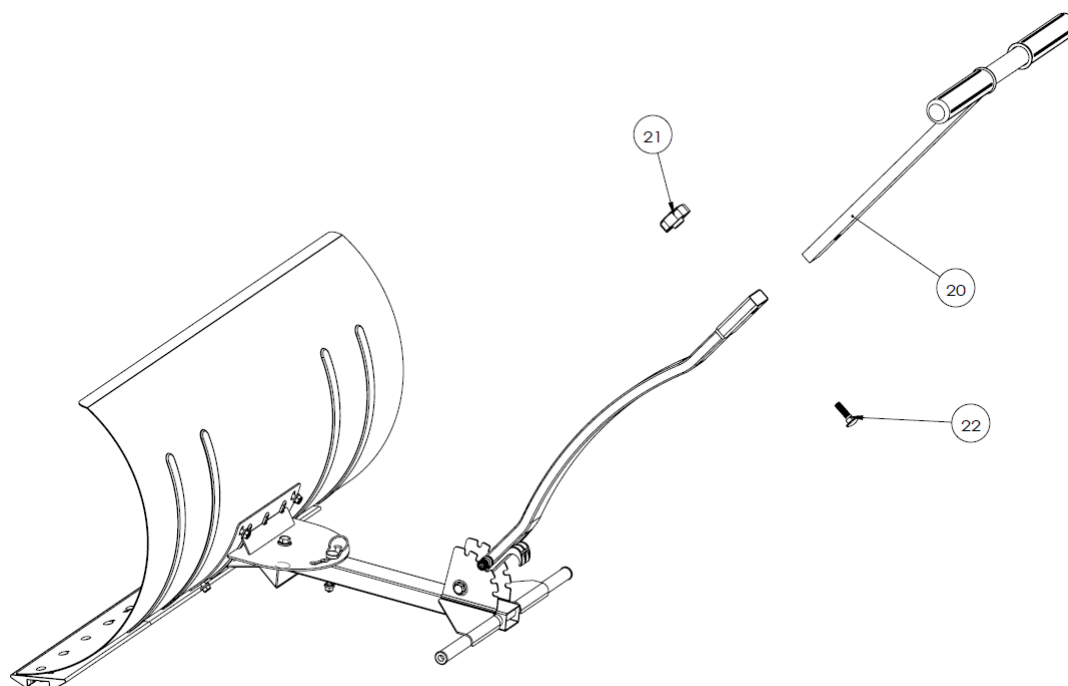
| NO. | NAME | QTY |
|-----|--------------------------------------|-----|
| 1 | Schneeschild | 1 |
| 2 | Reinigungslippe | 3 |
| 3 | M6 * 15 Vierkantansatzschrauben | 12 |
| 4 | M6 Vierkantansatzmutter | 12 |
| 5 | M6 * 15 Innensechskant Kopfschrauben | 4 |
| 6 | M6 Innensechskant Kopfmutter | 4 |
| 7 | Wendeplatte | 1 |



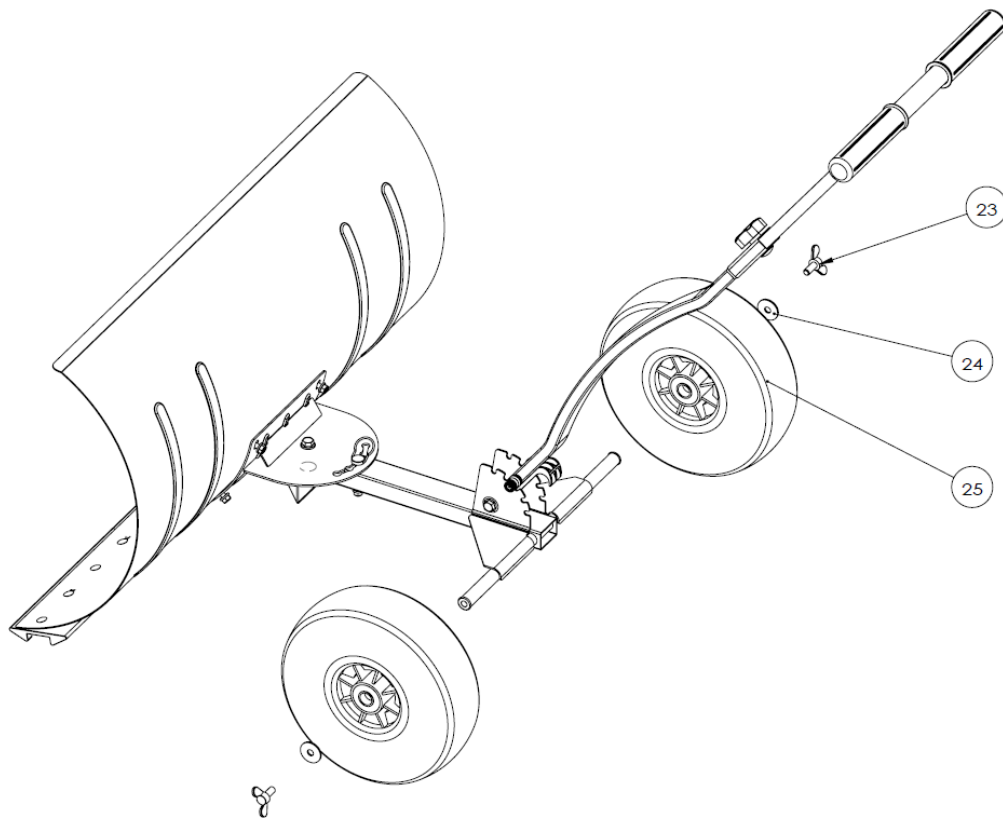
| NO. | NAME | QTY |
|-----|----------------------|-----|
| 8 | Haupthalter | 1 |
| 9 | Spannfeder | 1 |
| 10 | Aluminium Nuss | 1 |
| 11 | Plastik-Dichtung | 1 |
| 12 | Aluminium-Klinke | 1 |
| 13 | Plastik-Gelenkkopf | 1 |
| 14 | M6 * 40 Flachschaube | 1 |
| 15 | Schrauben-Mutter | 1 |



| NO. | NAME | QTY |
|-----|----------------------|-----|
| 16 | M6 * 45 Flachschaube | 1 |
| 17 | M8 Flachschaube | 1 |
| 18 | M6 Flachschaube | 1 |
| 19 | Spannstift | 1 |
| 20 | Fixierstift | 1 |



| NO. | NAME | QTY |
|-----|--|-----|
| 20 | Oberes Gestänge mit Griff | 1 |
| 21 | Kunststoffmutter | 1 |
| 22 | M8*30 Rundkopfschraube mit Quadrathals | 1 |



| NO. | NAME | QTY |
|-----|-------------------|-----|
| 23 | Flügelschraube | 2 |
| 24 | 20*8,2*2 Scheiben | 4 |
| 25 | Reifen | 2 |

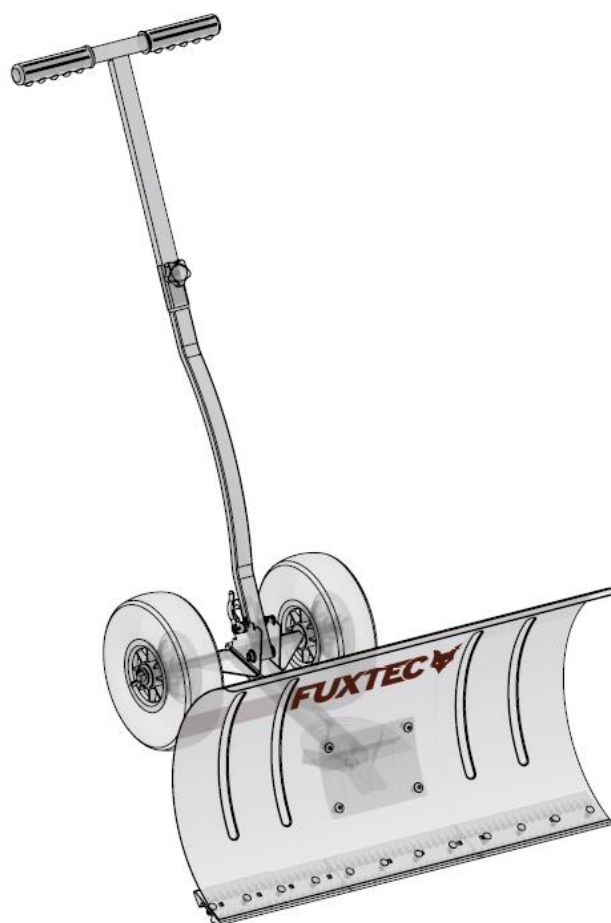
ENGLISH VERSION

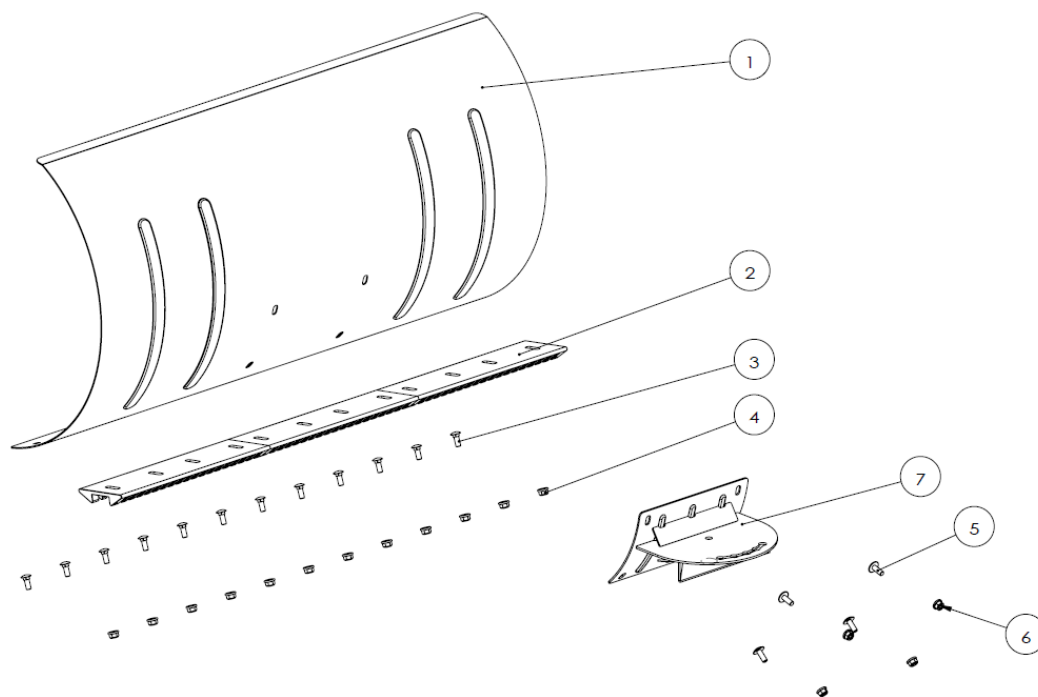


wheeled snow shovel

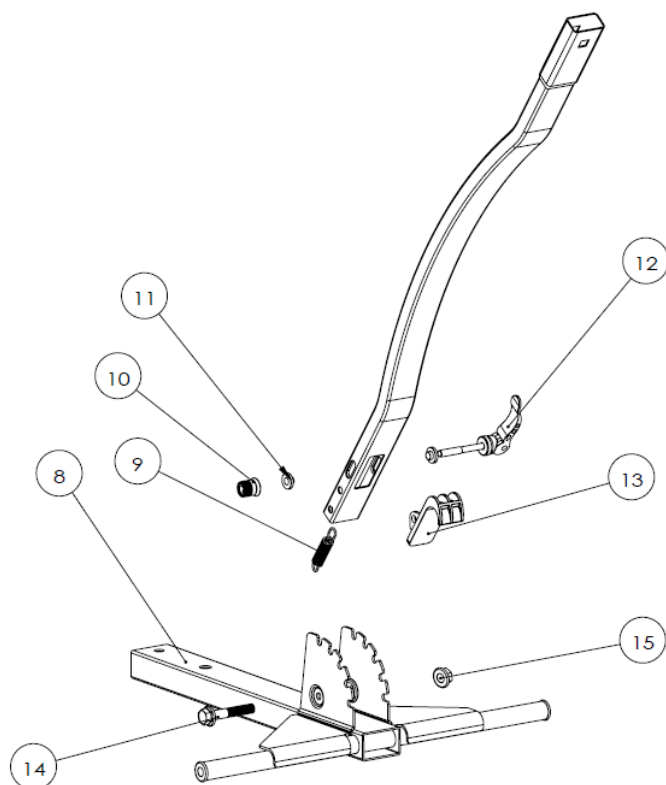
FX-SS740

Assembly instruction

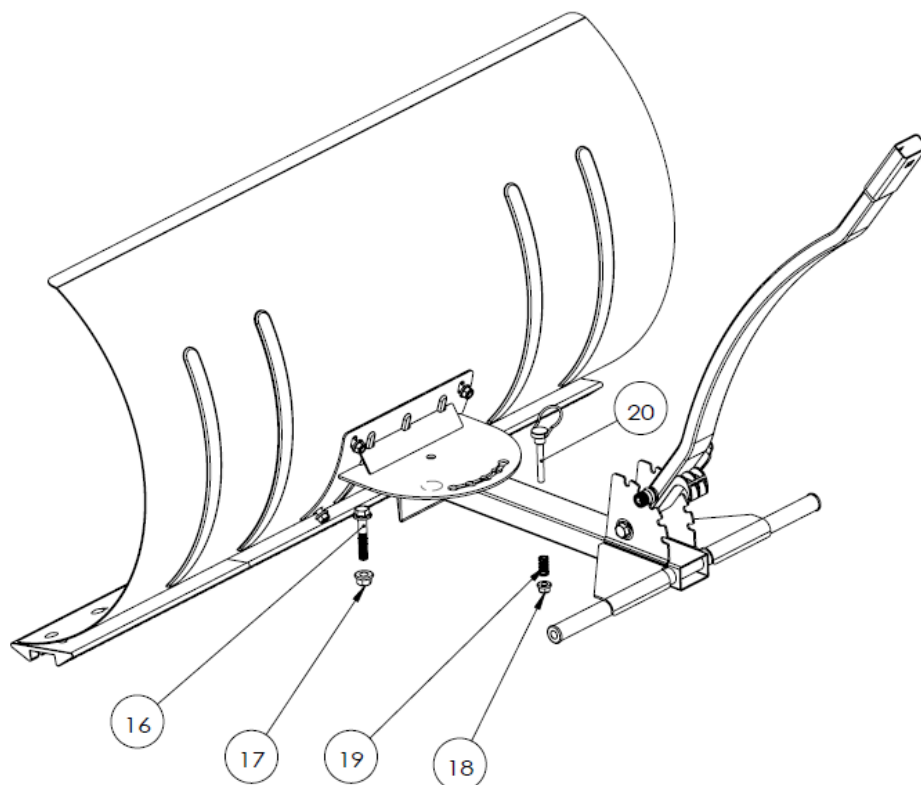




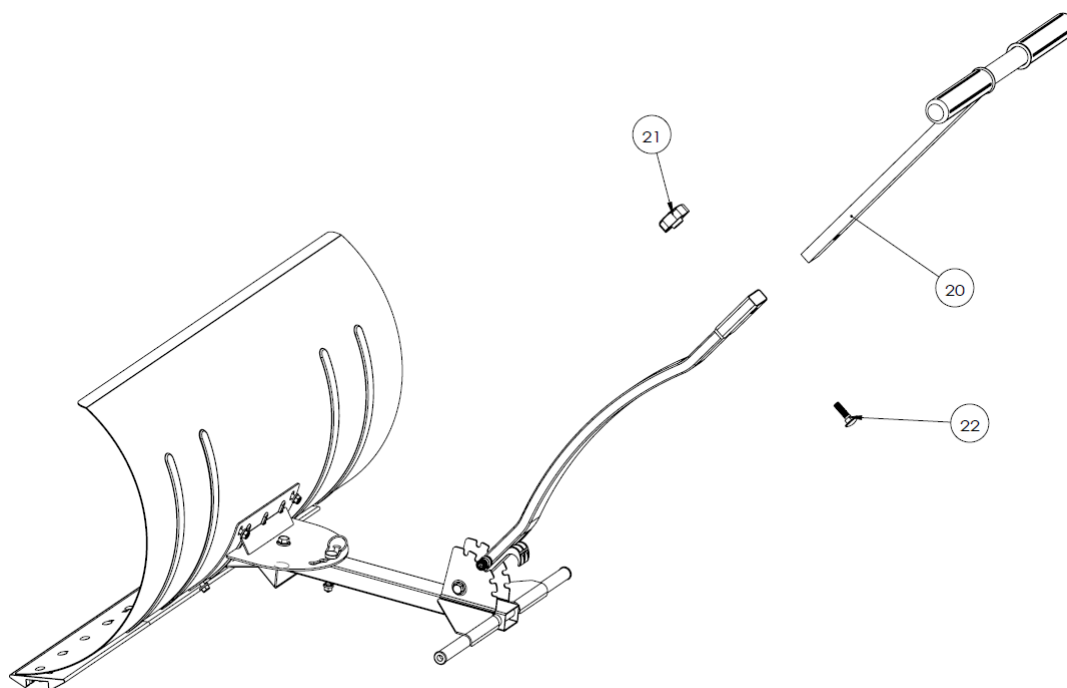
| NO. | NAME | QTY |
|-----|------------------------------------|-----|
| 1 | Snow blade | 1 |
| 2 | Cleaning strip | 3 |
| 3 | M6 * 20 square socket head screws | 12 |
| 4 | M6 * 20 square socket nut | 12 |
| 5 | M6 * 20 hexagon socket head screws | 4 |
| 6 | M6 * 20 hexagon socket head nut | 4 |
| 7 | Angle plate | 1 |



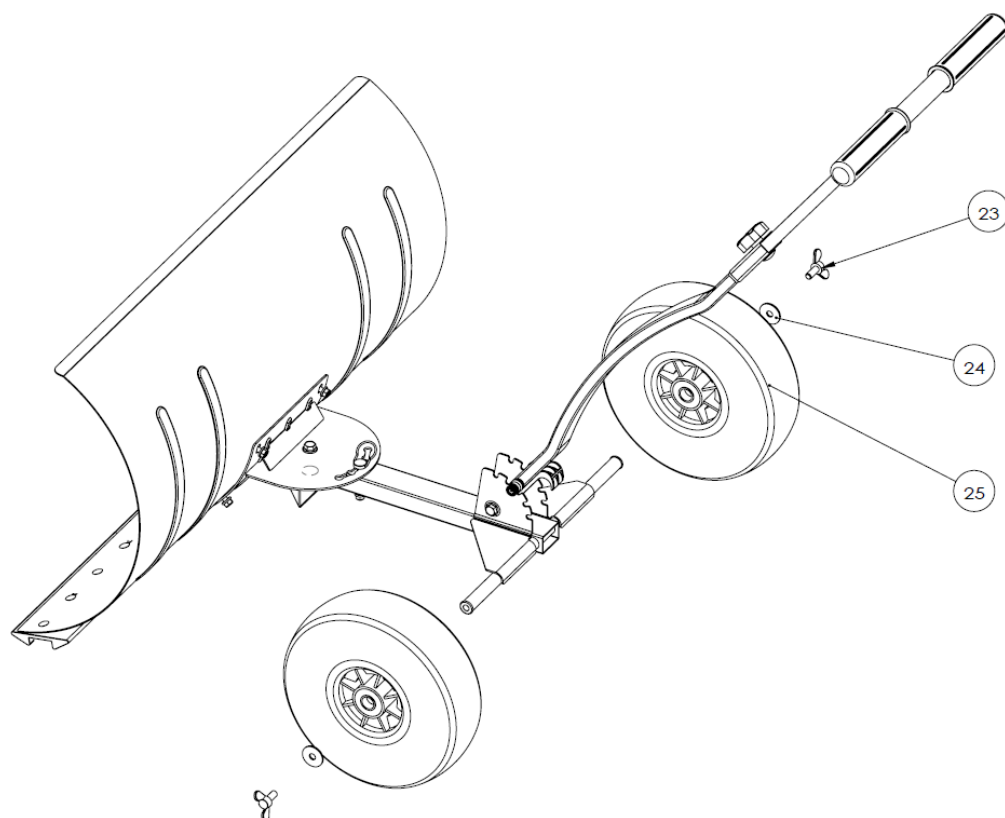
| NO. | NAME | QTY |
|-----|--------------------|-----|
| 8 | Main bracket | 1 |
| 9 | Tension spring | 1 |
| 10 | Aluminium nut | 1 |
| 11 | Plastic seal | 1 |
| 12 | Aluminium jack | 1 |
| 13 | Plastic rod end | 1 |
| 14 | M6 * 40 flat screw | 1 |
| 15 | Screw nut | 1 |



| NO. | NAME | QTY |
|-----|--------------------|-----|
| 16 | M6 * 45 flat screw | 1 |
| 17 | M8 flat screw | 1 |
| 18 | M6 flat screw | 1 |
| 19 | Coiled spring pin | 1 |
| 20 | Fixing pin | 1 |



| NO. | NAME | QTY |
|-----|---|-----|
| 20 | Upper rod with the handle | 1 |
| 21 | Plastic nut | 1 |
| 22 | M8*30 round head screw with a square nose | 1 |



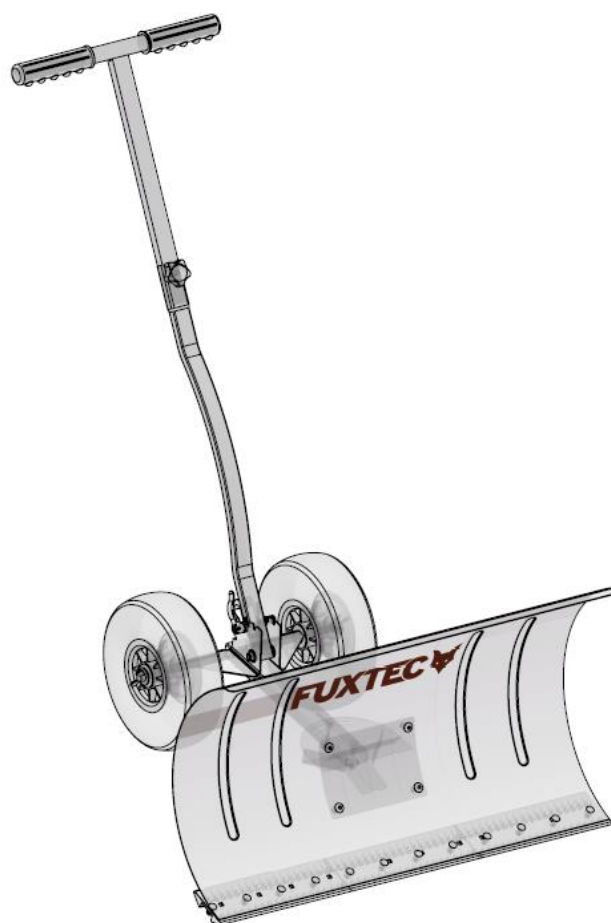
| NO. | NAME | QTY |
|-----|-----------------|-----|
| 23 | Butterfly screw | 2 |
| 24 | 20*8,2*2 discs | 4 |
| 25 | Wheels | 2 |

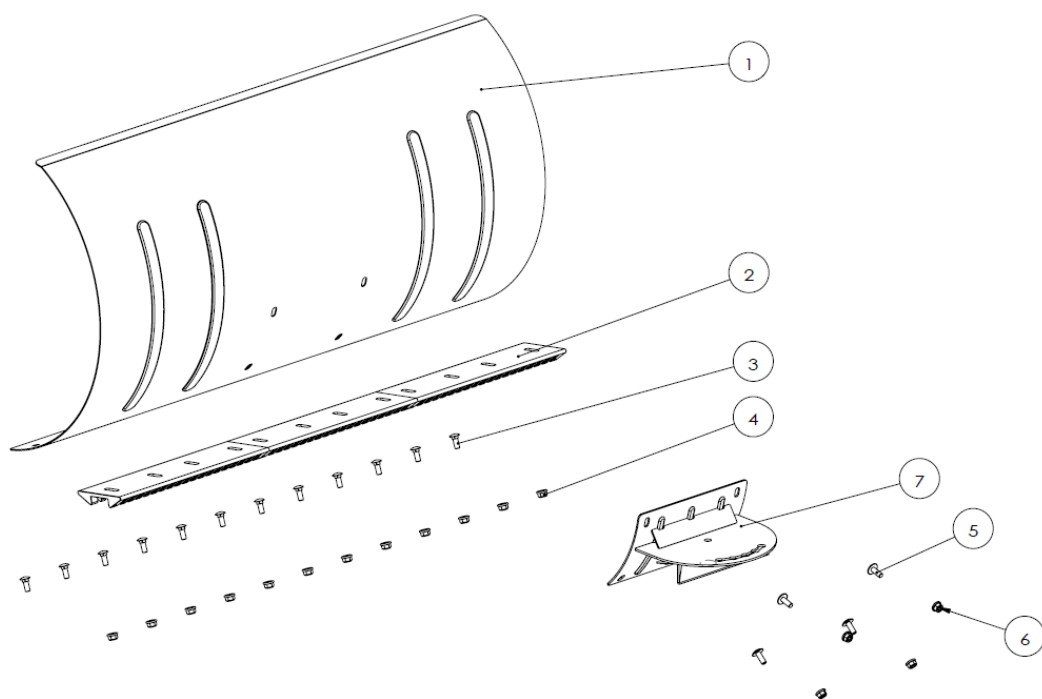
VERSION FRANCAISE

FUXTEC

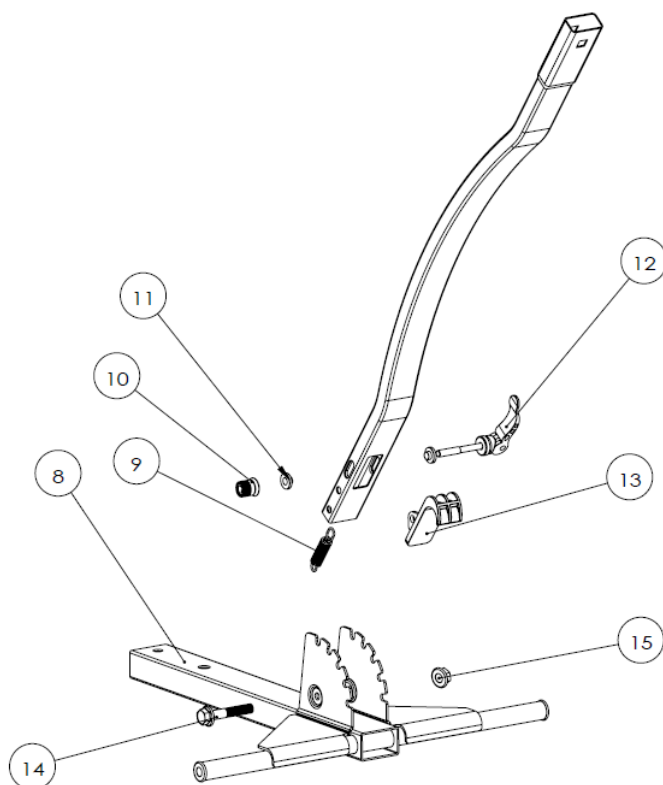
Pelle à neige sur roues

FX-SS740

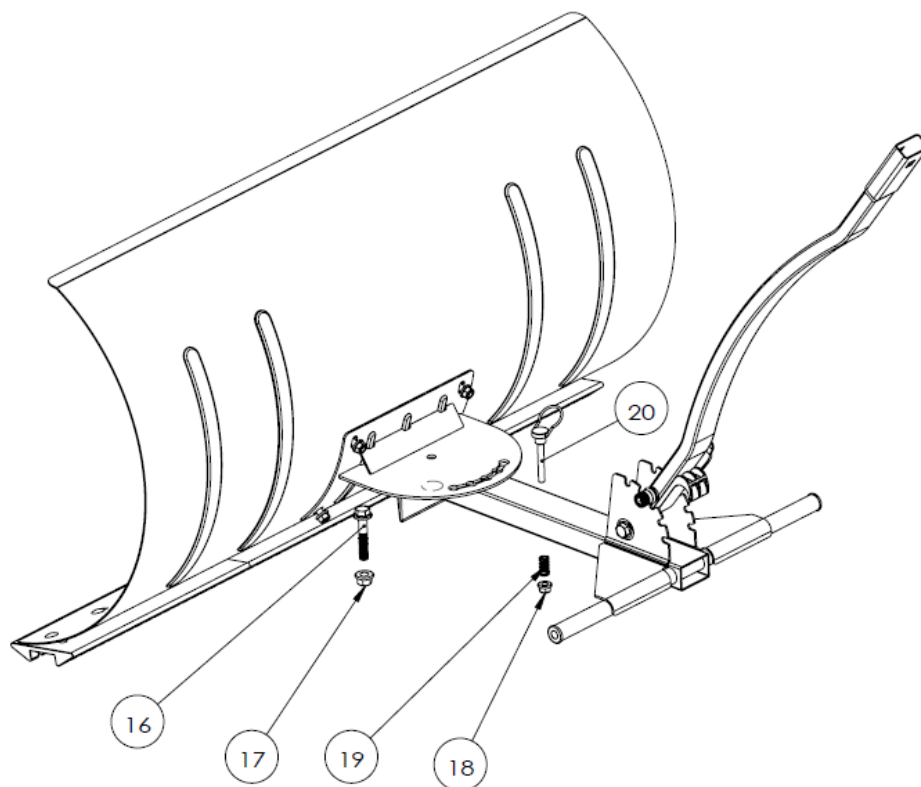




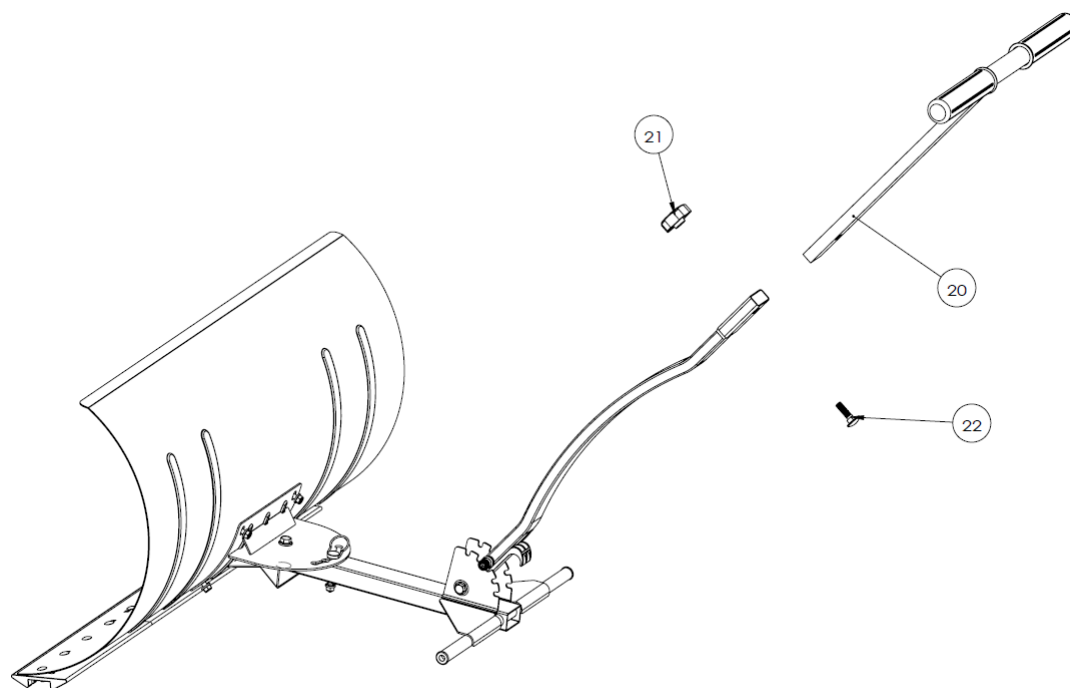
| NO. | NOM | QTE |
|-----|--------------------------------------|-----|
| 1 | Lame de déneigement | 1 |
| 2 | Lèvre en caoutchouc pour nettoyage | 3 |
| 3 | M6 * 15 Vis à tête carrée | 12 |
| 4 | M6 écrou à tête carrée | 12 |
| 5 | M6 * 15 Vis à tête creuse hexagonale | 4 |
| 6 | M6 Écrou à tête hexagonale | 4 |
| 7 | Plaquette de fixation | 1 |



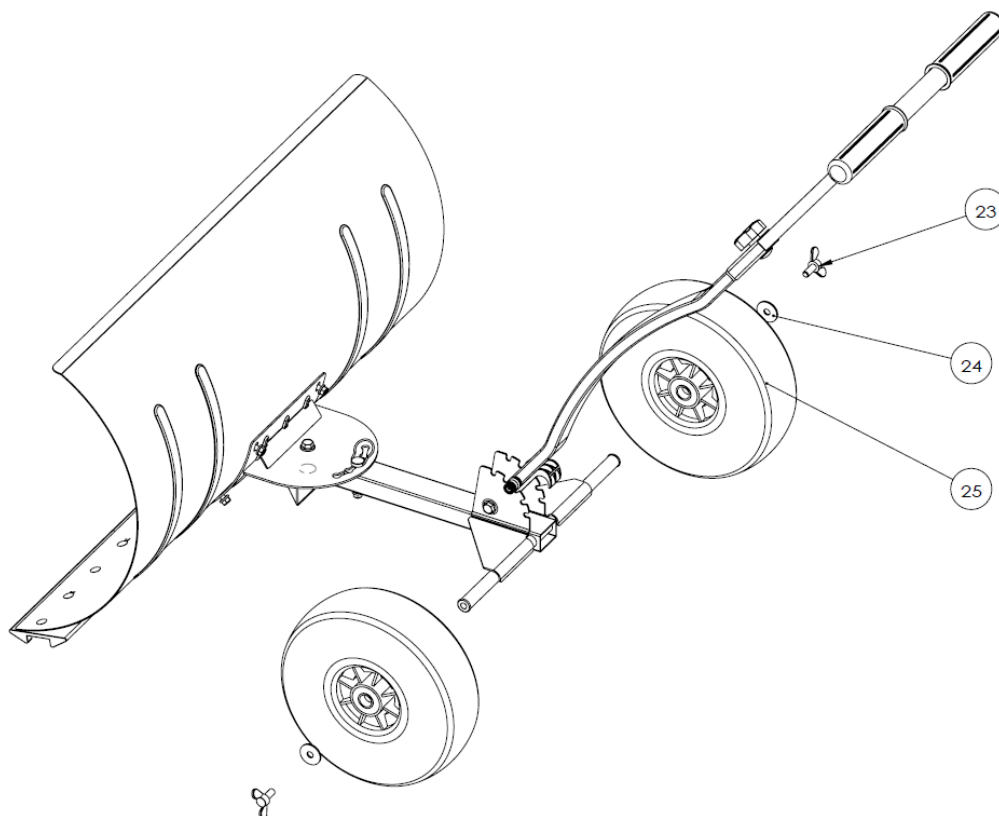
| NO. | NOM | QTE |
|-----|-----------------------------|-----|
| 8 | Support principal | 1 |
| 9 | Ressort de tension | 1 |
| 10 | Écrou en aluminium | 1 |
| 11 | Joint en plastique | 1 |
| 12 | Poignée en aluminium | 1 |
| 13 | Embout de tige en plastique | 1 |
| 14 | M6 * 40 vis plate | 1 |
| 15 | Écrou | 1 |



| NO. | NOM | QTE |
|-----|----------------------|-----|
| 16 | M6 * 45 Vis plate | 1 |
| 17 | M8 Vis plate | 1 |
| 18 | M6 Vis plate | 1 |
| 19 | Goupille cylindrique | 1 |
| 20 | Goupille de fixation | 1 |



| NO. | NOM | QTE |
|-----|------------------------------------|-----|
| 20 | Barre supérieure avec poignée | 1 |
| 21 | Ecrou en plastique | 1 |
| 22 | M8*30 Vis à tête ronde à col carré | 1 |



| NO. | NOM | QTE |
|-----|--------------------|-----|
| 23 | Vis papillon | 2 |
| 24 | Rondelles 20*8,2*2 | 4 |
| 25 | Pneus | 2 |

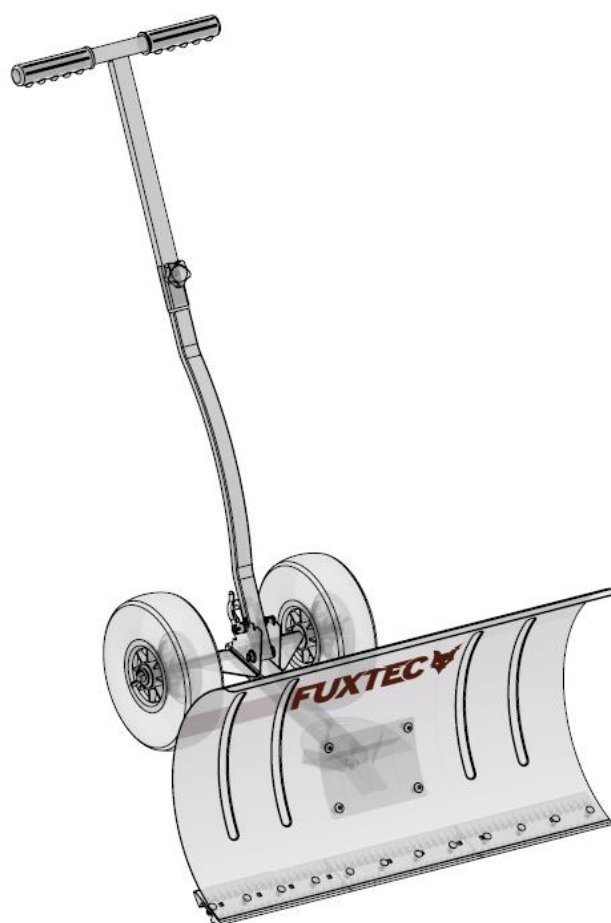
VERSIONE ITALIANA

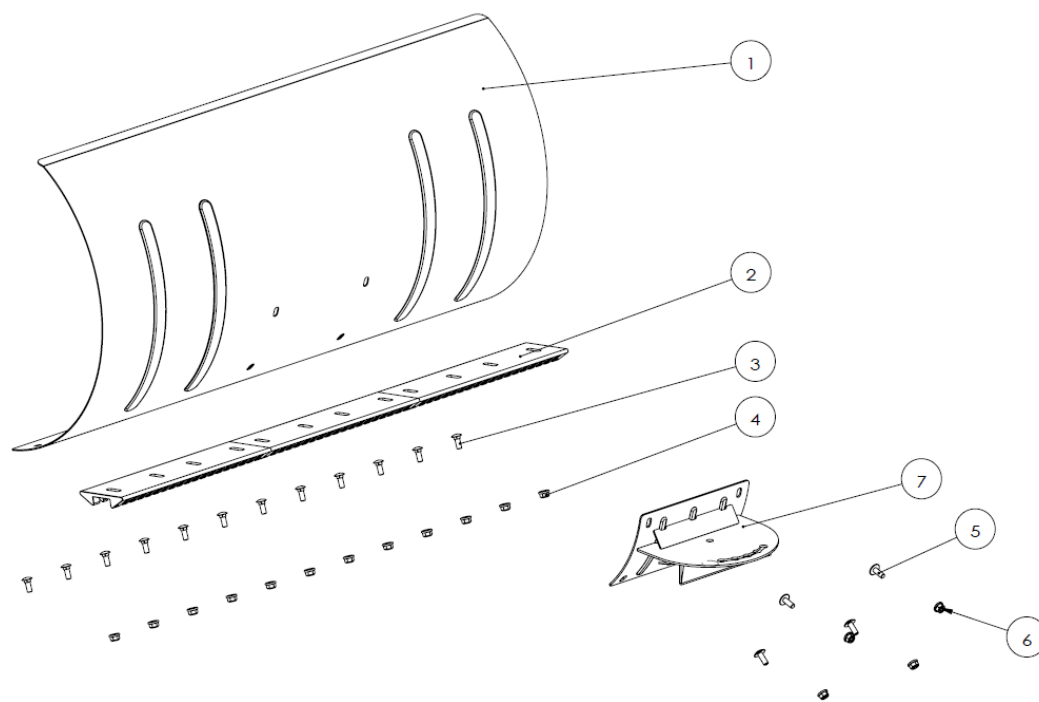
FUXTEC

Pala da neve

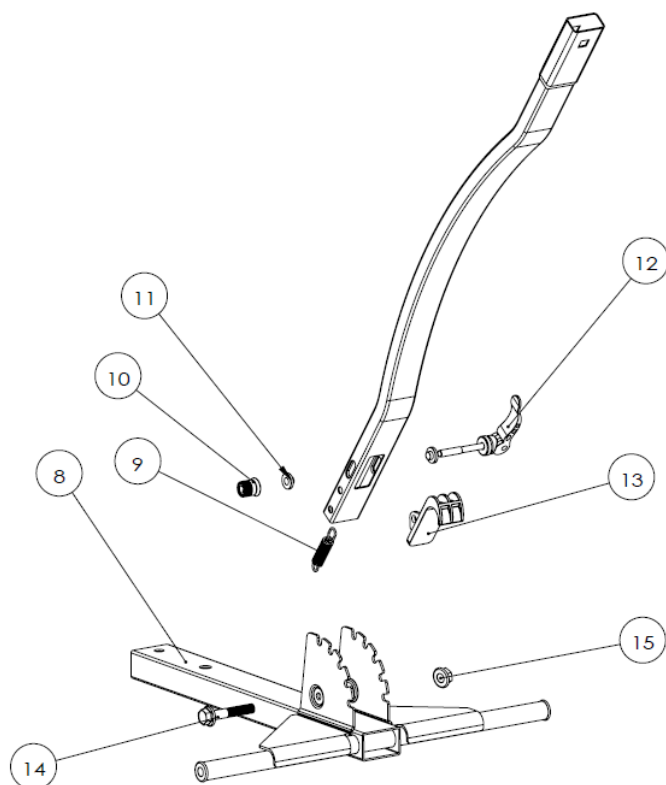
Modell FX-SS740

Istruzioni di montaggio

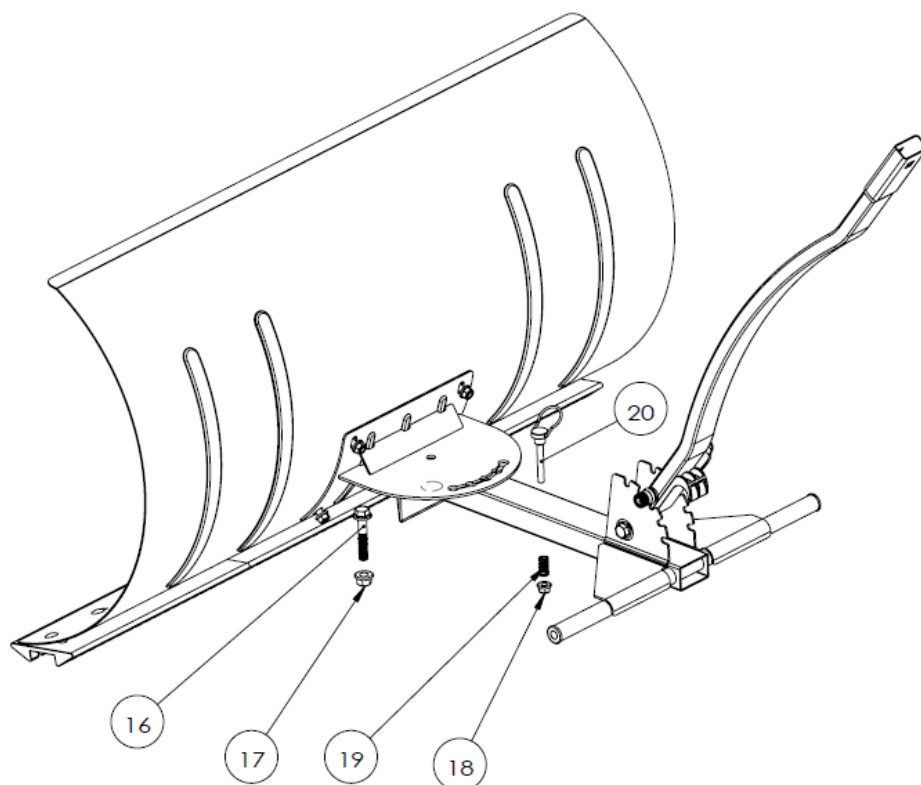




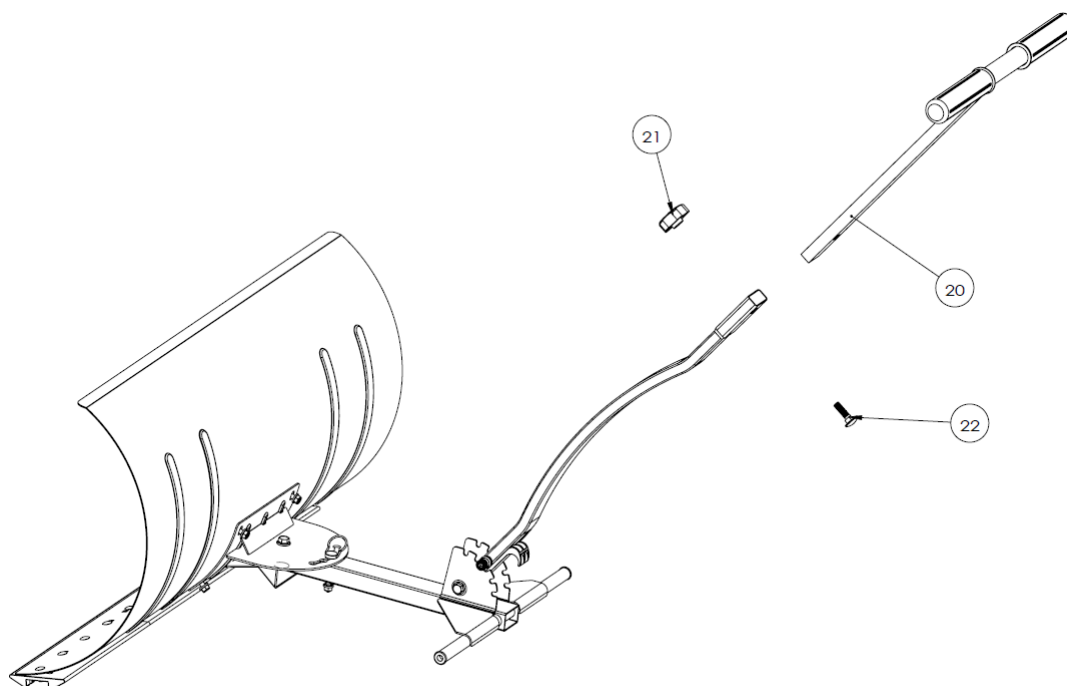
| NO. | NOME | QTY |
|-----|--------------------------------|-----|
| 1 | Lama da neve | 1 |
| 2 | Guarnizione di pulizia | 3 |
| 3 | M6 * 15 Viti a spalla quadrata | 12 |
| 4 | M6 Dado a spalla quadrata | 12 |
| 5 | M6 * 15 Viti a testa esagonale | 4 |
| 6 | M6 Dado a testa esagonale | 4 |
| 7 | Piastra reversibile | 1 |



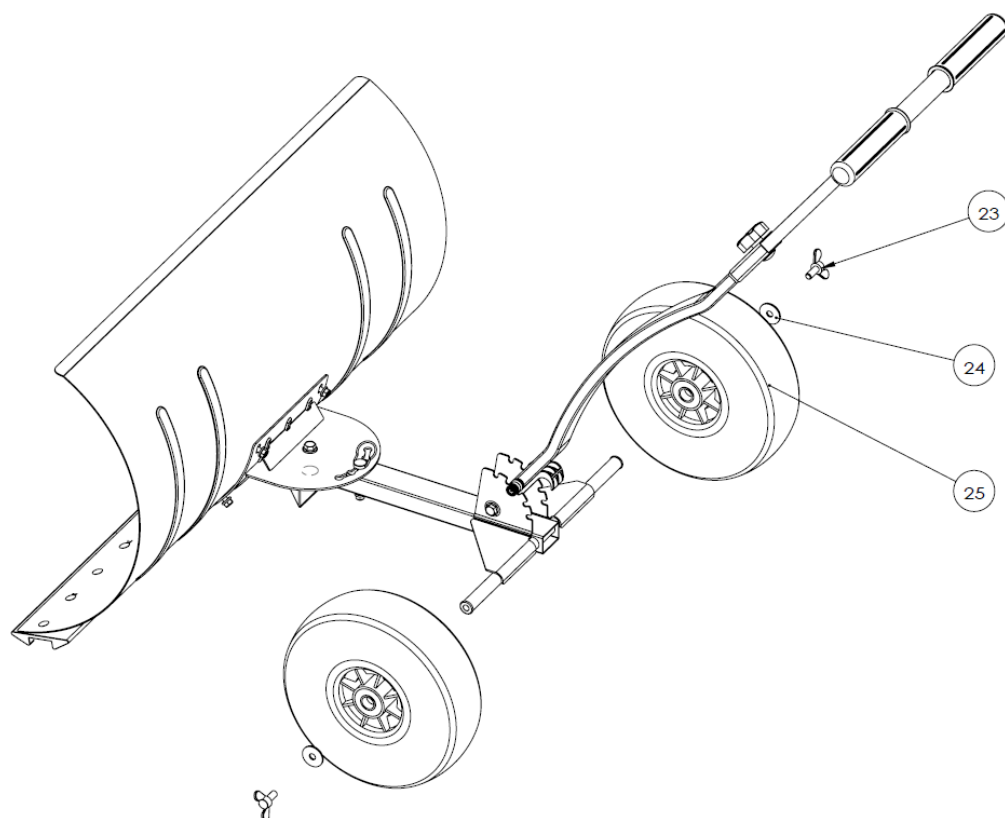
| NO. | NAME | QTY |
|-----|----------------------------|-----|
| 8 | Supporto principale | 1 |
| 9 | Molla di tensione | 1 |
| 10 | Dado in alluminio | 1 |
| 11 | Guarnizione di plastica | 1 |
| 12 | Leva in alluminio | 1 |
| 13 | Estremità asta in plastica | 1 |
| 14 | M6 * 40 Vite piatta | 1 |
| 15 | Dado a vite | 1 |



| NO. | NAME | QTY |
|-----|-------------------------|-----|
| 16 | M6 * 45 Vite piatta | 1 |
| 17 | M8 Dado per vite piatta | 1 |
| 18 | M6 Dado per vite piatta | 1 |
| 19 | Perno di bloccaggio | 1 |
| 20 | Perno di fissaggio | 1 |



| NO. | NAME | QTY |
|-----|---|-----|
| 20 | Attacco superiore con maniglia | 1 |
| 21 | Dado di plastica | 1 |
| 22 | Vite a testa tonda M8*30 con collo quadrato | 1 |



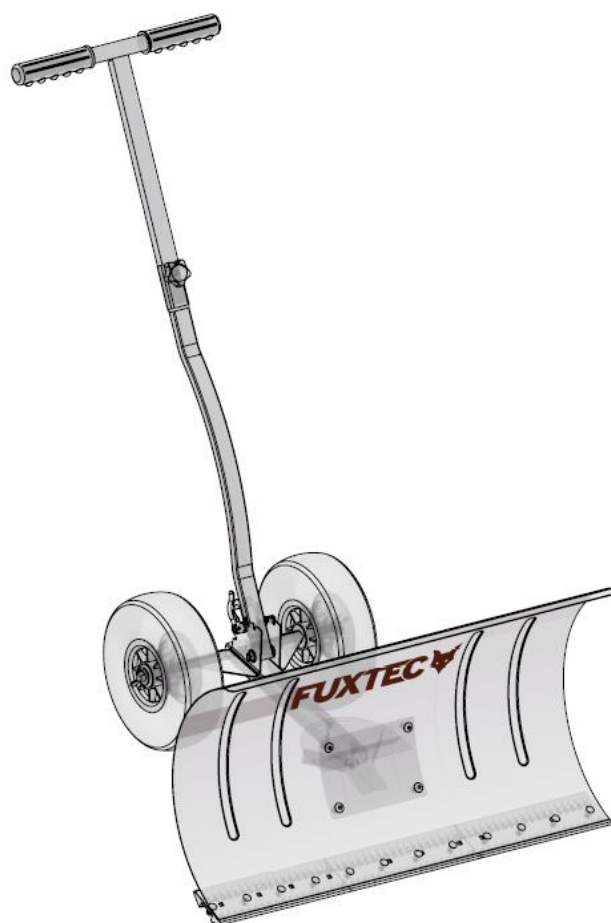
| NO. | NAME | QTY |
|-----|-------------------|-----|
| 23 | Vite ad ala | 2 |
| 24 | 20*8,2*2 Rondella | 4 |
| 25 | Ruote | 2 |

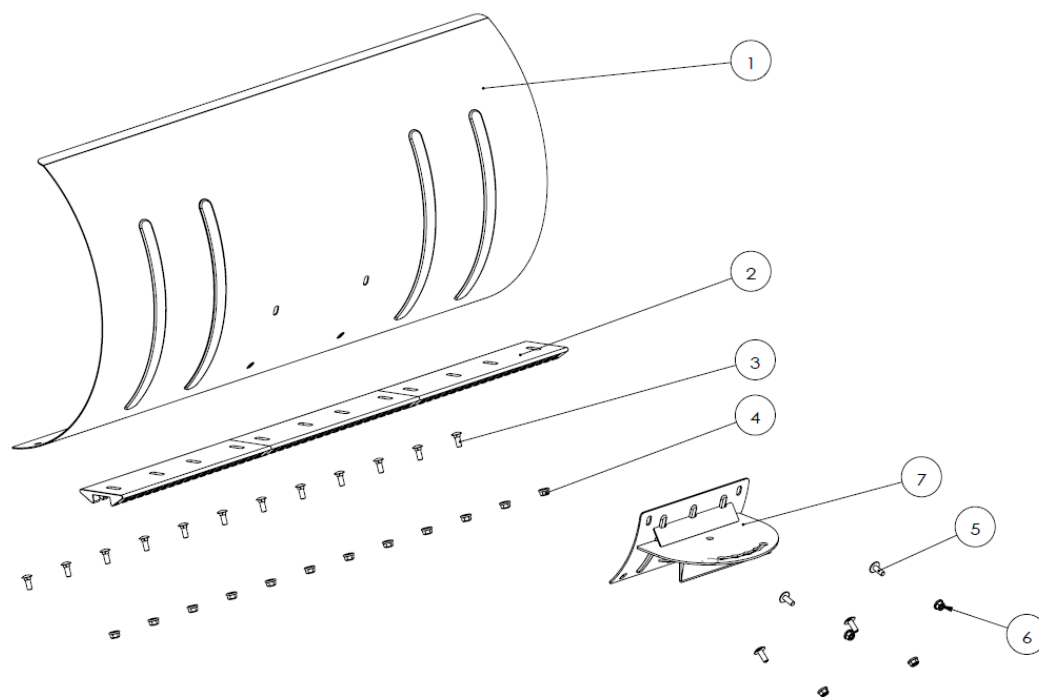
VERSION ESPANOLA

FUXTEC

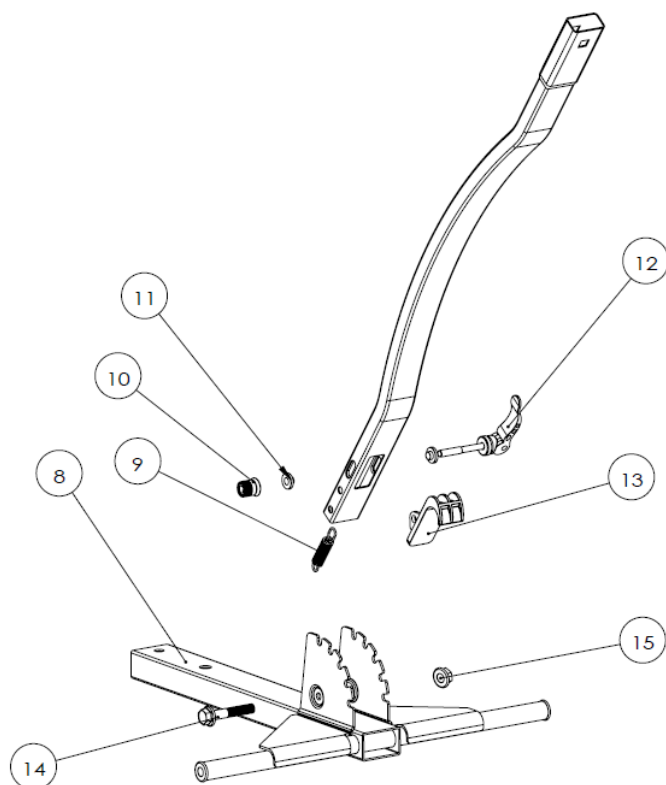
pala de nieve

FX-SS740

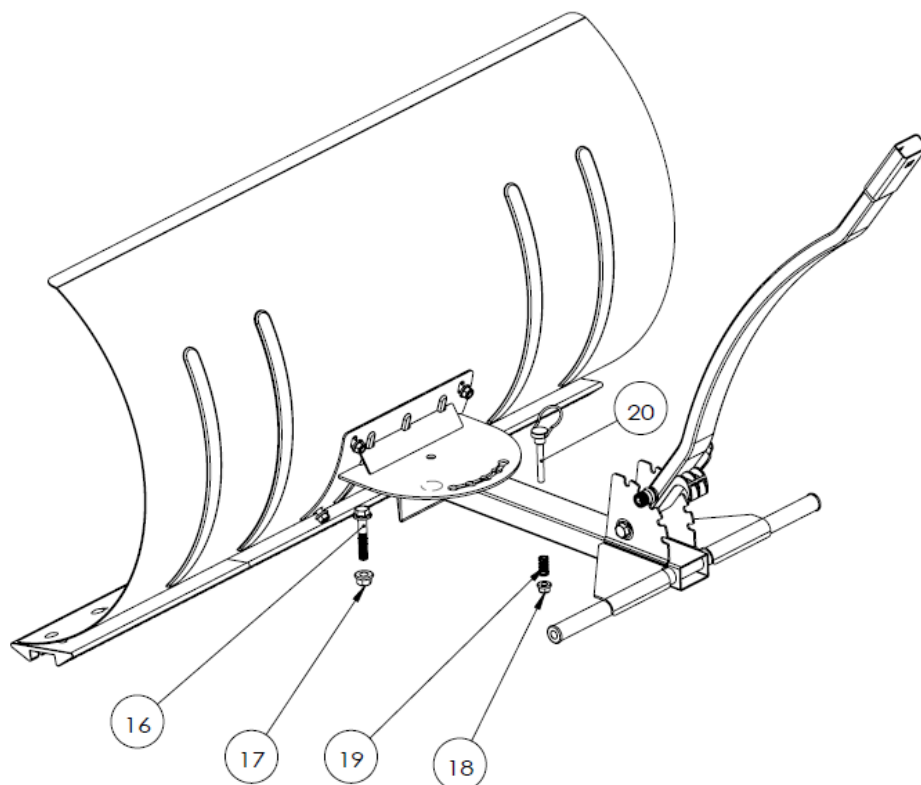




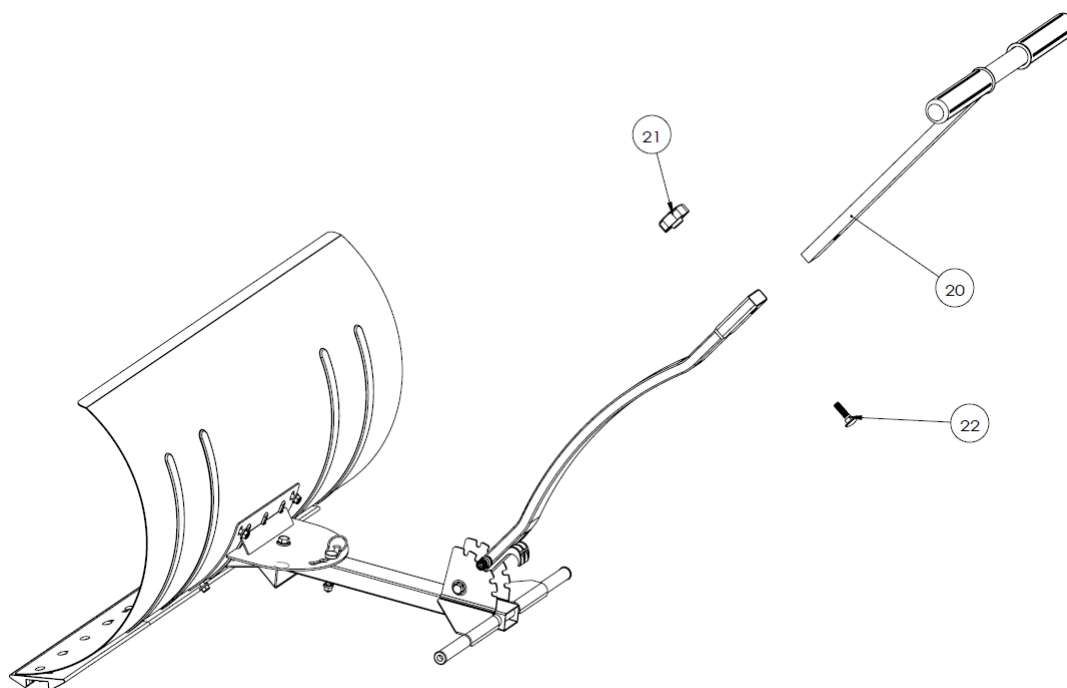
| NO. | NOMBRE | CANTIDAD |
|-----|---|----------|
| 1 | Hoja de nieve | 1 |
| 2 | Labio de limpieza | 3 |
| 3 | Tornillos de hombro cuadrados M6*15 | 12 |
| 4 | Tuerca de hombro cuadrado M6 | 12 |
| 5 | Tornillos de cabeza hueca hexagonal M6*15 | 4 |
| 6 | Tuerca de cabeza hueca hexagonal M6 | 4 |
| 7 | Placa reversible | 1 |



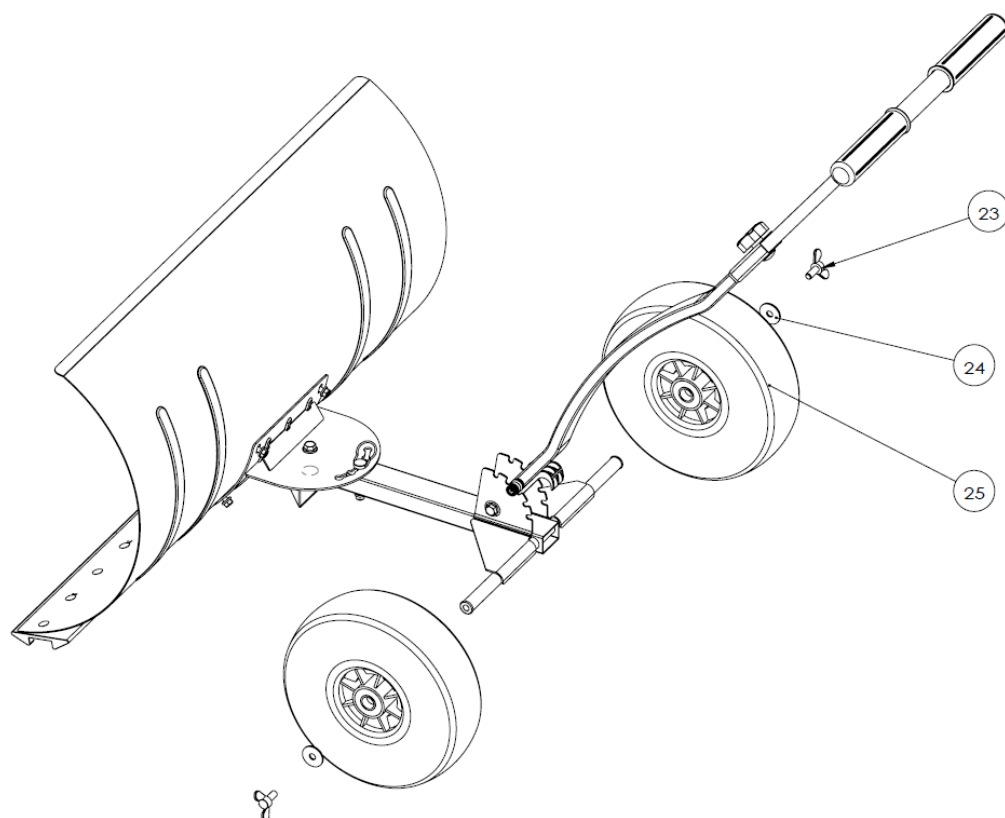
| NO. | NOMBRE | CANTIDAD |
|-----|-----------------------------|----------|
| 8 | Titular principal | 1 |
| 9 | resorte de tensión | 1 |
| 10 | Tuerca de aluminio | 1 |
| 11 | Sello de plástico | 1 |
| 12 | Mango de aluminio | 1 |
| 13 | Cabeza de junta de plástico | 1 |
| 14 | Tornillo plano M6*40 | 1 |
| 15 | tuerca de tornillo | 1 |



| NO. | NOMBRE | CANTIDAD |
|-----|----------------------|----------|
| 16 | Tornillo plano M6*45 | 1 |
| 17 | tornillo plano M8 | 1 |
| 18 | tornillo plano M6 | 1 |
| 19 | pasador de rodillo | 1 |
| 20 | pasador de fijación | 1 |



| NO. | NOMBRE | CANTIDAD |
|-----|--|----------|
| 20 | Poste superior con asa | 1 |
| 21 | Tuerca de plastico | 1 |
| 22 | Tornillo de cabeza redonda M8*30 con cuello cuadrado | 1 |



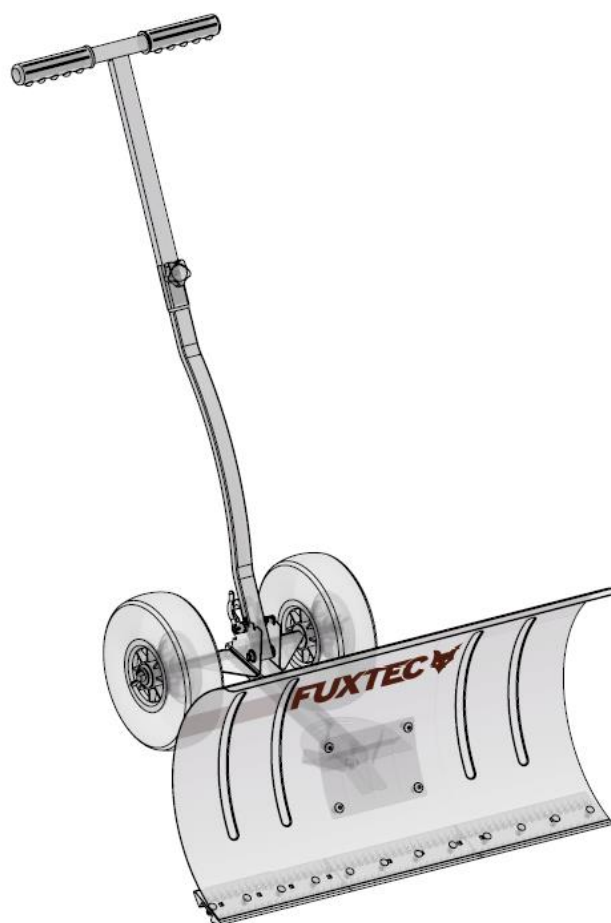
| NO. | NOMBRE | CANTIDAD |
|-----|----------------------|----------|
| 23 | tornillo de mariposa | 2 |
| 24 | 20*8,2*2 rebanadas | 4 |
| 25 | Llantas | 2 |

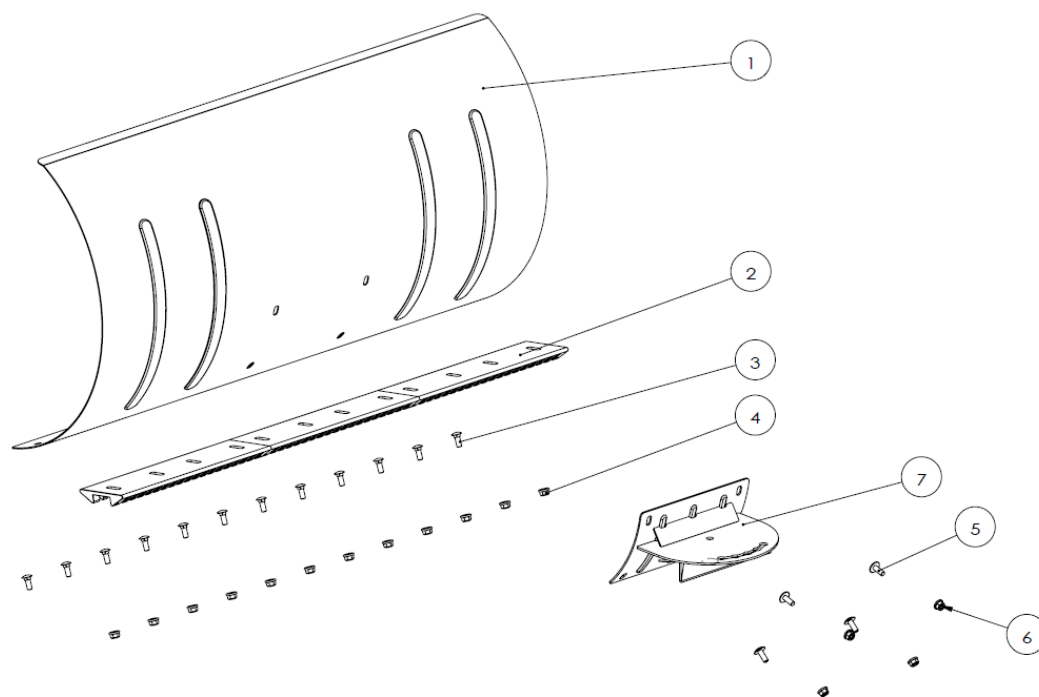
VERSAO PORTUGUESA



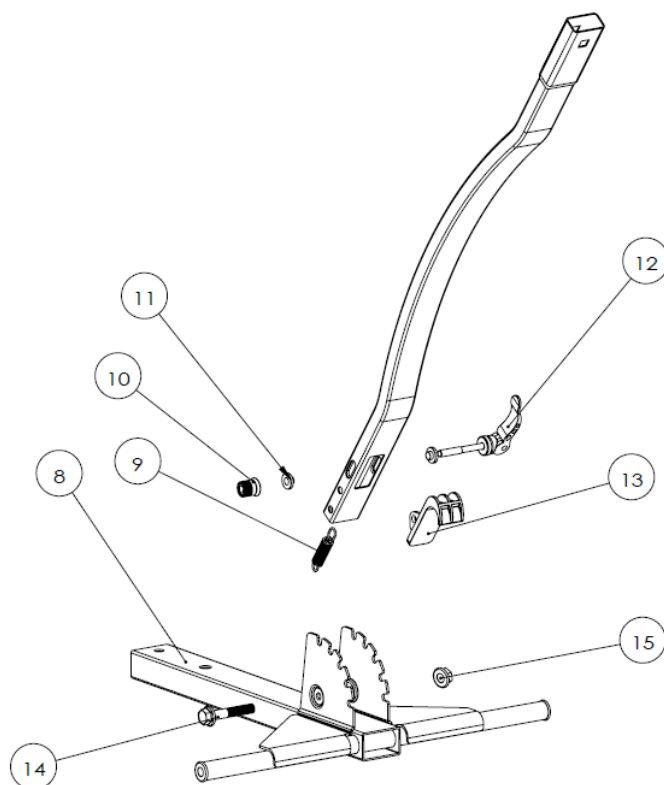
Pá de neve

FX-SS740

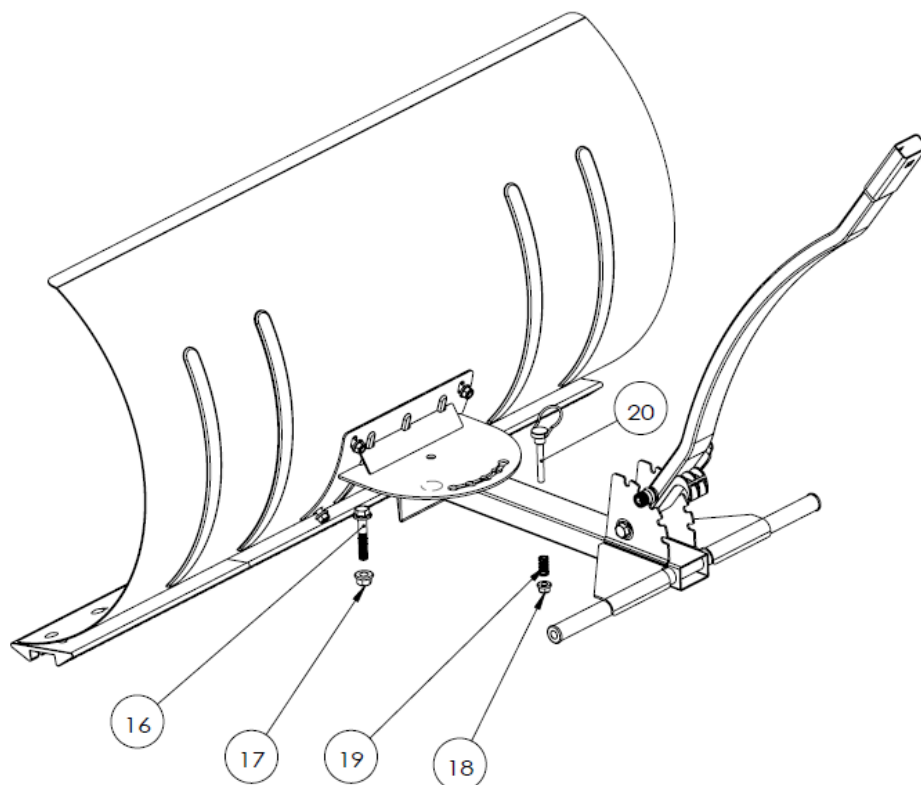




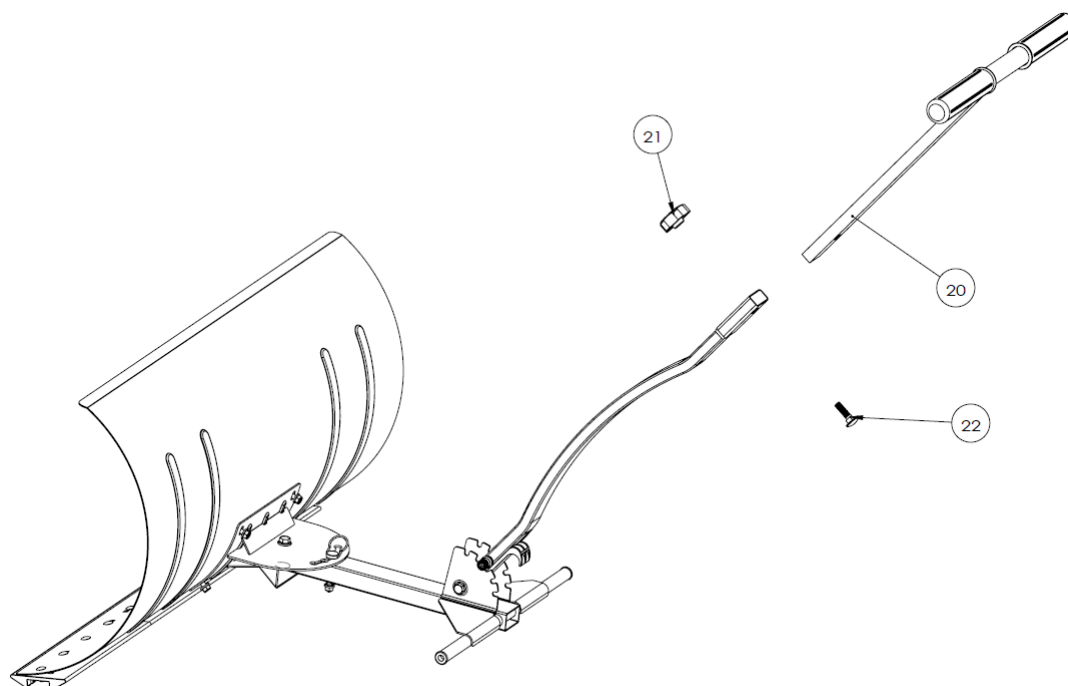
| NÃO. | NOME | Quantidade |
|------|--|------------|
| 1 | Lâmina de neve | 1 |
| 2 | Limpeza labial | 3 |
| 3 | Parafusos de ombro quadrados M6 * 15 | 12 |
| 4 | Porca de ombro quadrada M6 | 12 |
| 5 | M6 * 15 parafusos sextavados de cabeça sextavada | 4 |
| 6 | Porca sextavada M6 | 4 |
| 7 | Placa reversível | 1 |



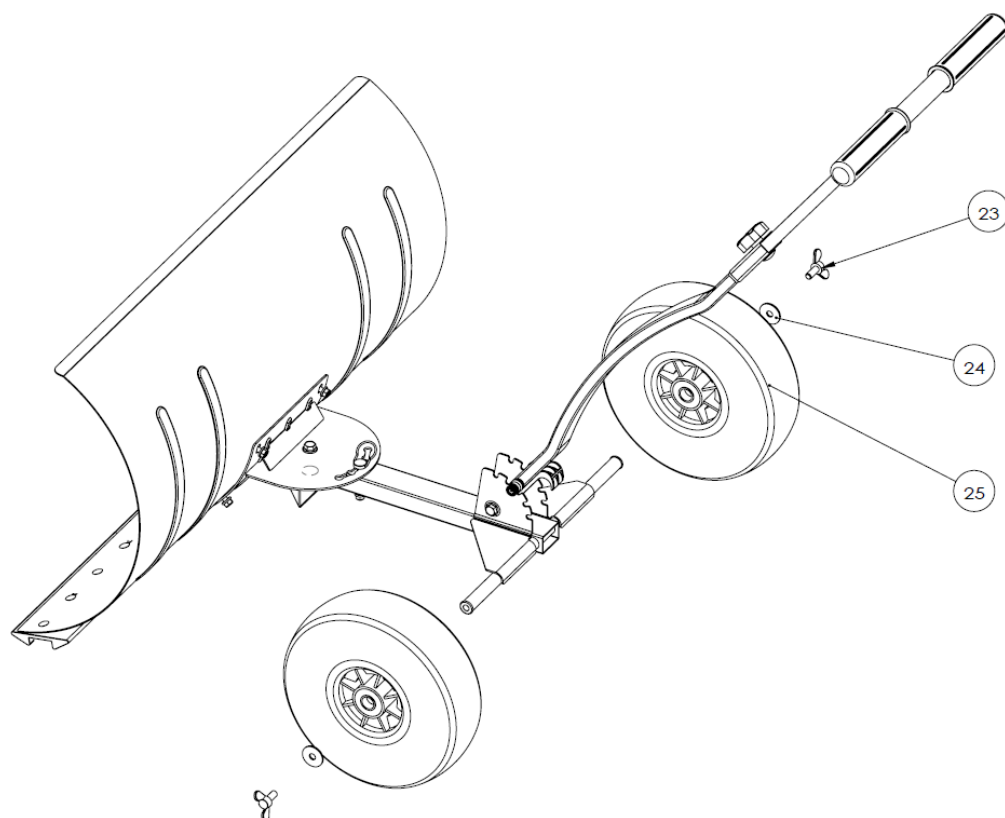
| NÃO. | NOME | Quantidade |
|-------------|-------------------------------|-------------------|
| 8 | Suporte principal | 1 |
| 9 | mola de tensão | 1 |
| 10 | Porca de alumínio | 1 |
| 11 | Selo de plástico | 1 |
| 12 | Alça de alumínio | 1 |
| 13 | Cabeça articulada de plástico | 1 |
| 14 | Parafuso plano M6*40 | 1 |
| 15 | porca de parafuso | 1 |



| NÃO. | NOME | Quantidade |
|-------------|----------------------|-------------------|
| 16 | Parafuso plano M6*45 | 1 |
| 17 | Parafuso plano M8 | 1 |
| 18 | Parafuso plano M6 | 1 |
| 19 | Rolo | 1 |
| 20 | pino de fixação | 1 |



| NÃO. | NOME | Quantidade |
|-------------|---|-------------------|
| 20 | Poste superior com alça | 1 |
| 21 | Porca de plástico | 1 |
| 22 | Parafuso de cabeça redonda M8 * 30 com pescoço quadrado | 1 |



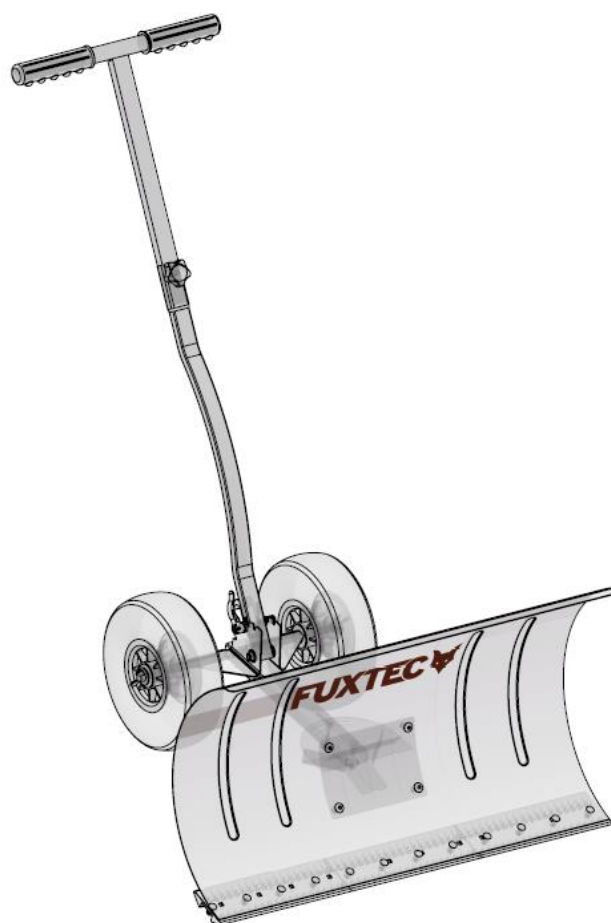
| NÃO. | NOME | Quantidade |
|------|--------------------|------------|
| 23 | Parafuso borboleta | 2 |
| 24 | 20*8,2*2 fatias | 4 |
| 25 | Pneus | 2 |

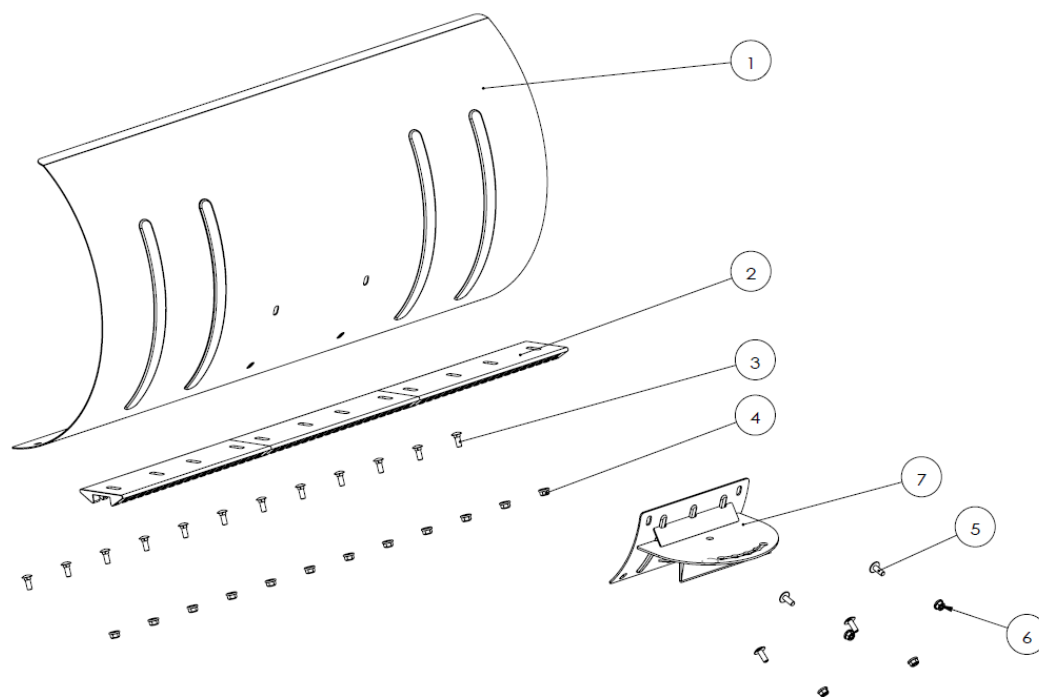
NEDERLANDSE VERSIE

FUXTEC

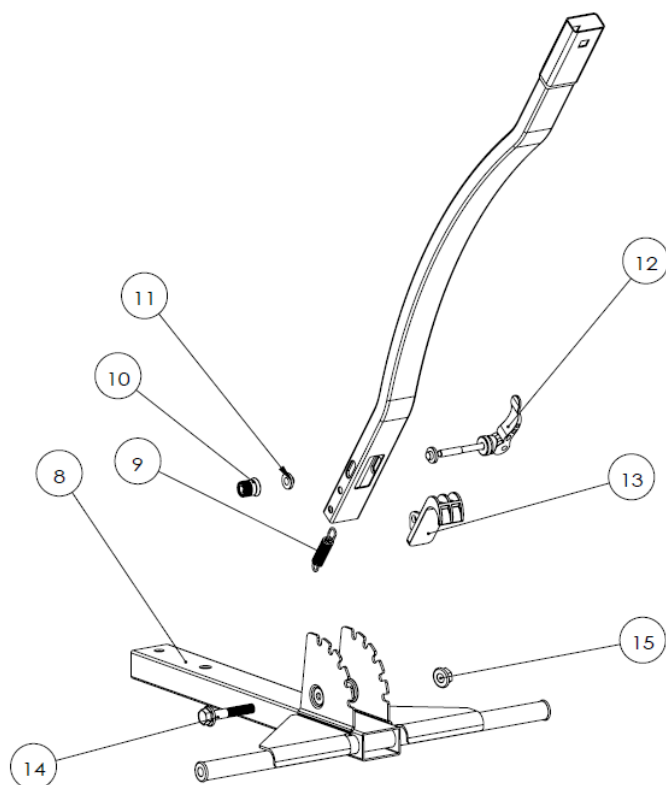
Sneeuwschep

FX-SS740

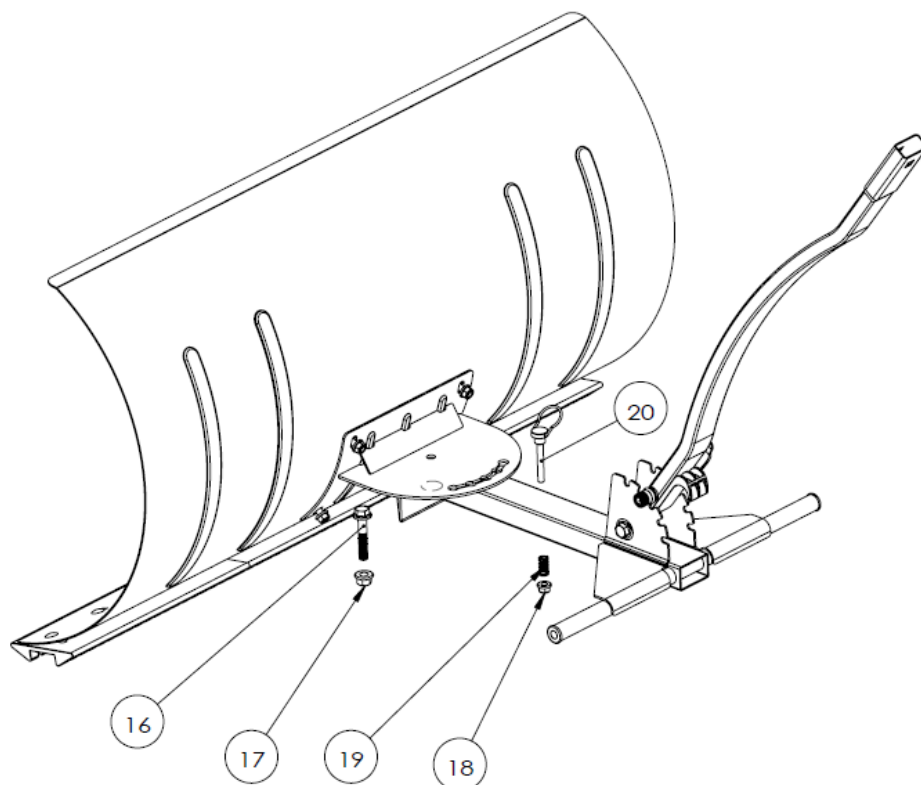




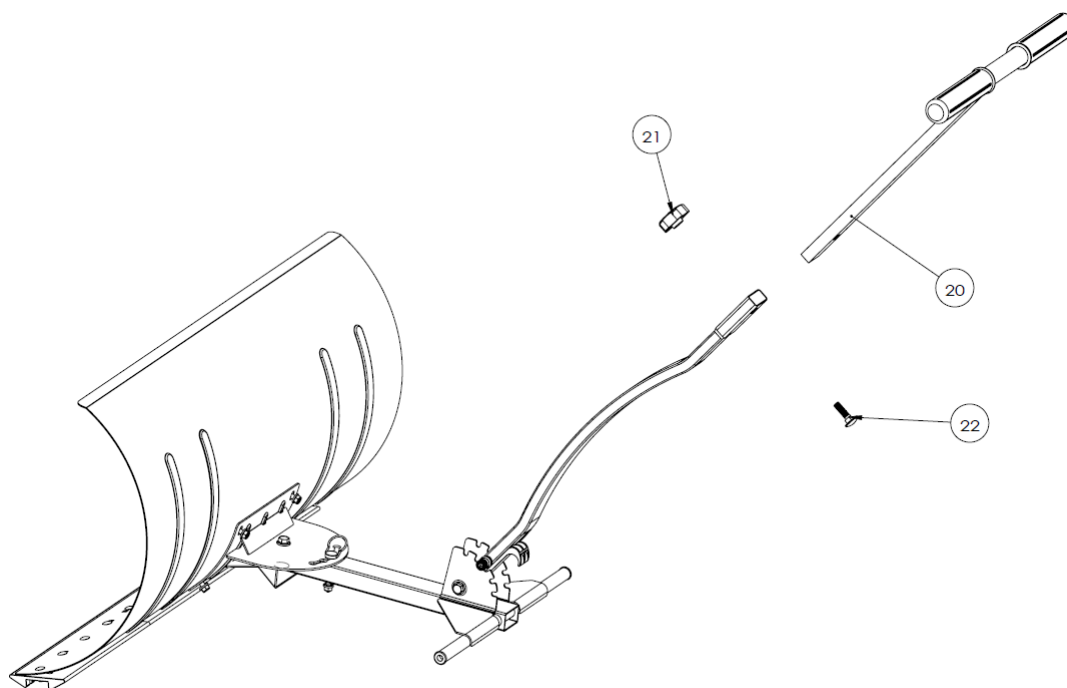
| NEE. | NAAM | AANTAL |
|------|--|--------|
| 1 | Sneeuwblad | 1 |
| 2 | Reinigingslip | 3 |
| 3 | M6*15 vierkante schouderschroeven | 12 |
| 4 | M6 vierkante schoudermoer | 12 |
| 5 | M6*15 zeskantschroeven met binnenzeskant | 4 |
| 6 | M6 binnenzeskantmoer | 4 |
| 7 | Omkeerbare plaat | 1 |



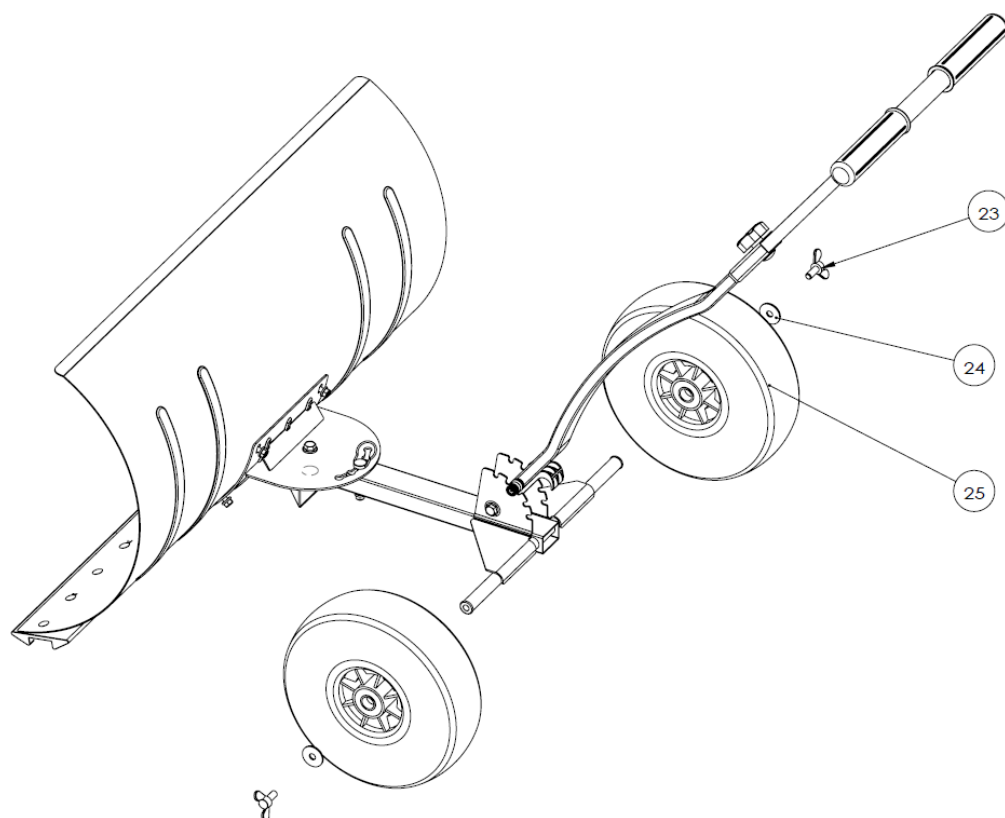
| NEE. | NAAM | AANTAL |
|------|------------------------|--------|
| 8 | Hoofdhouter | 1 |
| 9 | trekveer | 1 |
| 10 | Aluminium moer | 1 |
| 11 | Kunststof afdichting | 1 |
| 12 | Aluminium handvat | 1 |
| 13 | Kunststof scharnierkop | 1 |
| 14 | M6*40 platte schroef | 1 |
| 15 | schroef moer | 1 |



| NEE. | NAAM | AANTAL |
|------|----------------------|--------|
| 16 | M6*45 platte schroef | 1 |
| 17 | M8 platte schroef | 1 |
| 18 | Platte schroef M6 | 1 |
| 19 | Rolspeld | 1 |
| 20 | bevestigingspin | 1 |



| NEE. | NAAM | AANTAL |
|------|---|--------|
| 20 | Bovenpaal met handvat | 1 |
| 21 | Kunststof moer | 1 |
| 22 | M8*30 ronde kopschroef met vierkante hals | 1 |



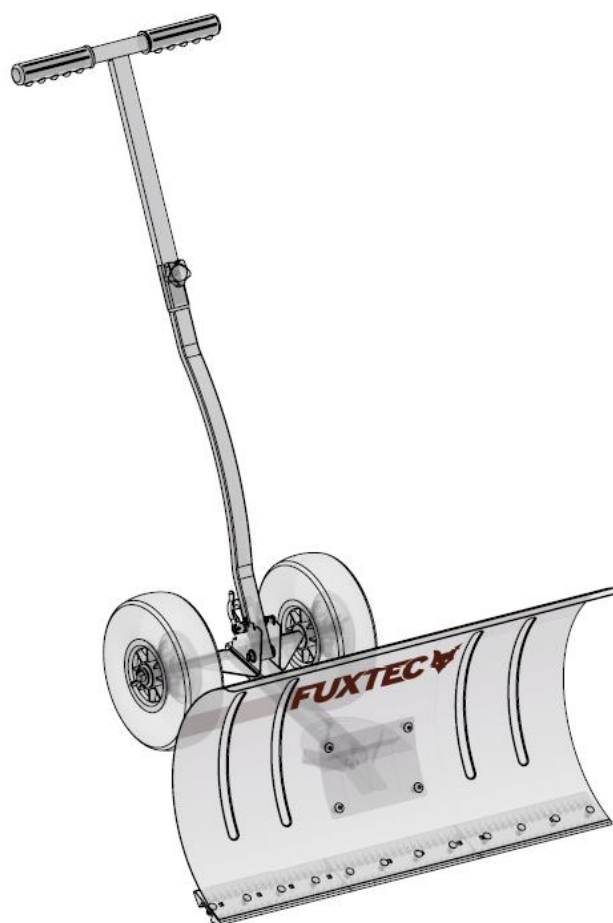
| NEE. | NAAM | AANTAL |
|------|------------------|--------|
| 23 | Vleugel schroef | 2 |
| 24 | 20*8,2*2 plakjes | 4 |
| 25 | Banden | 2 |

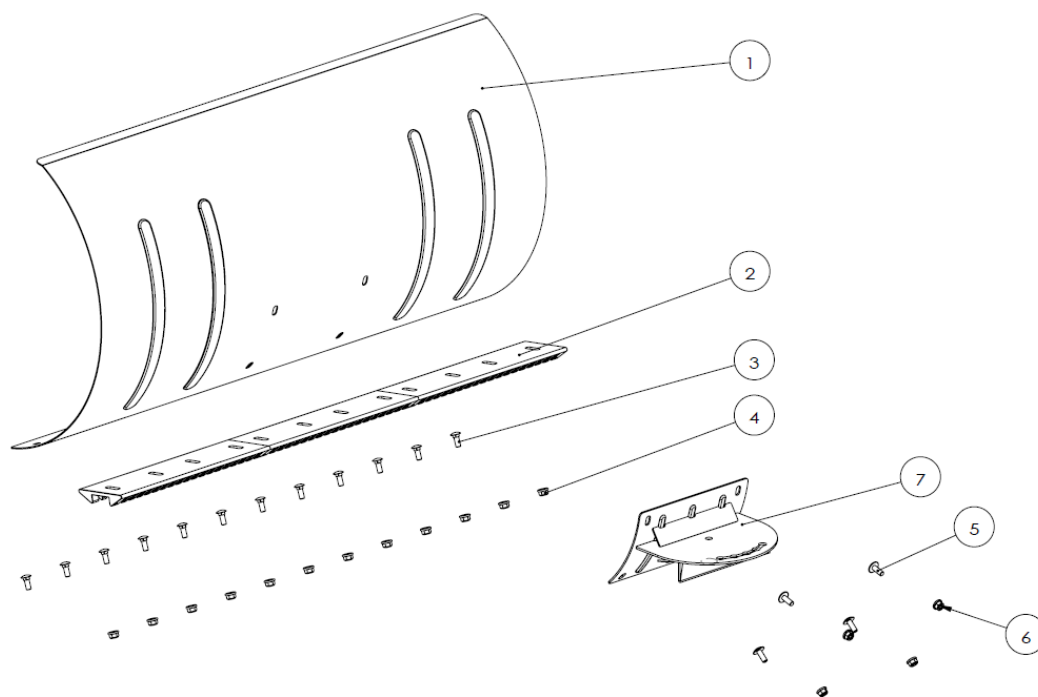
SVENSK VERSION

FUXTEC

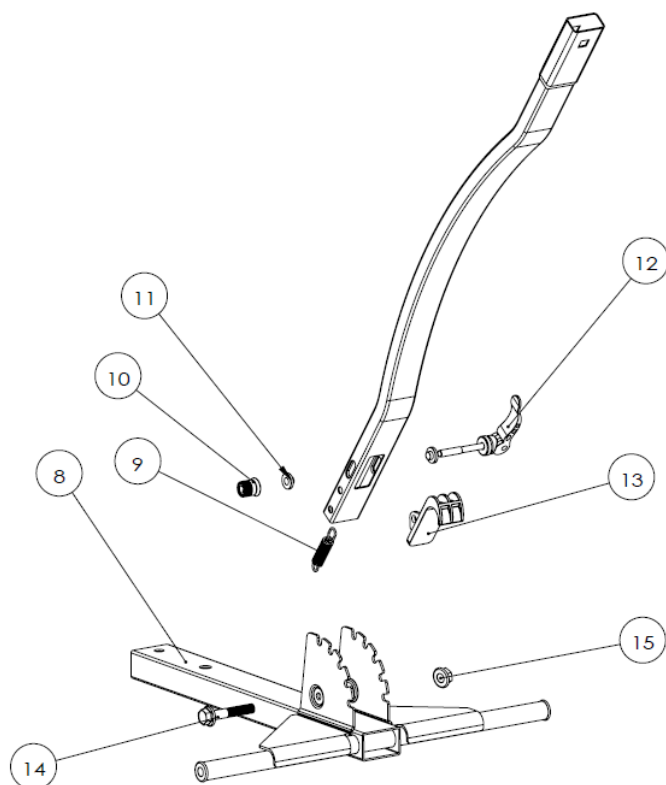
Snöskyffel

FX-SS740

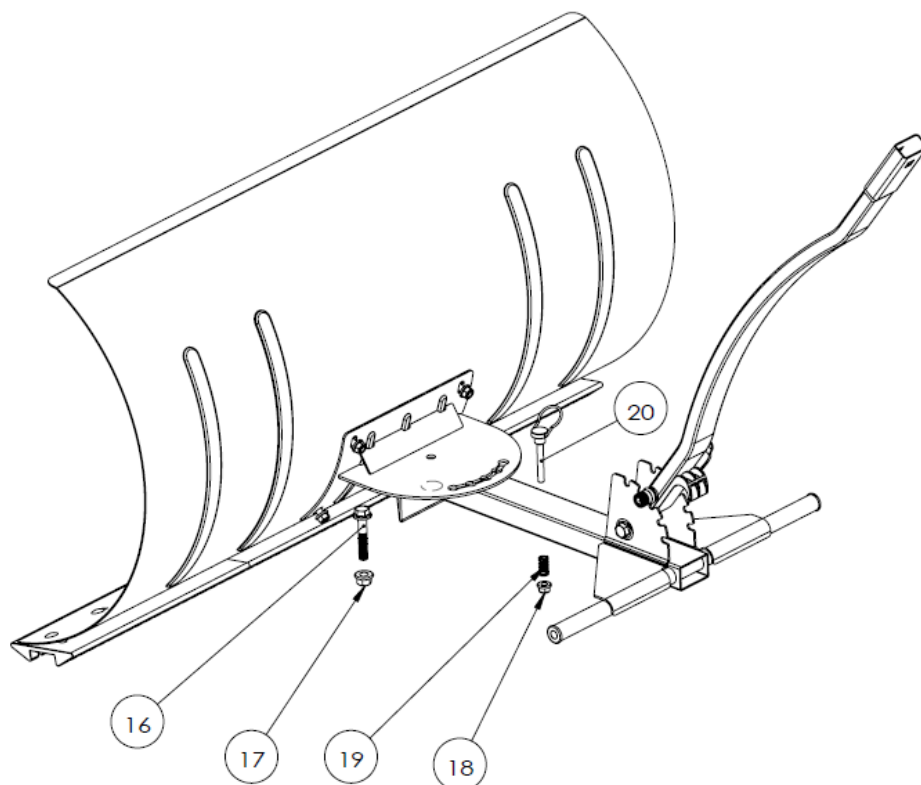




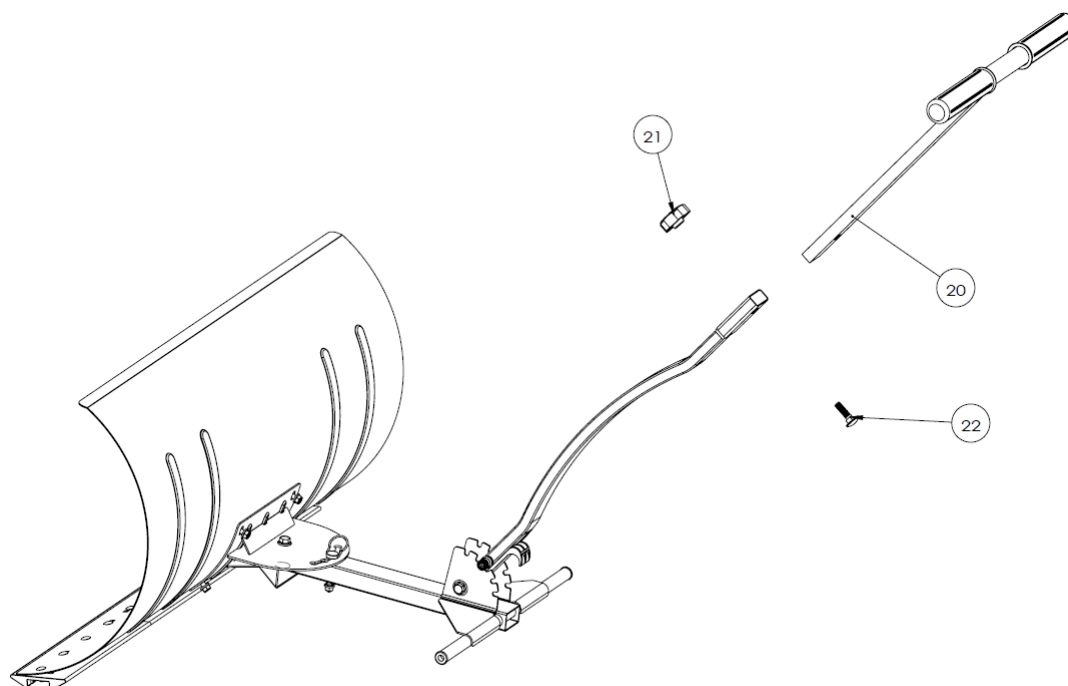
| INGA. | NAMN | ANTAL |
|-------|------------------------------|-------|
| 1 | Snöblad | 1 |
| 2 | Rengöringsläpp | 3 |
| 3 | M6*15 fyrkantiga axelskruvar | 12 |
| 4 | M6 fyrkantig axelmutter | 12 |
| 5 | M6*15 insexskruvar | 4 |
| 6 | M6 sexkantsmutter | 4 |
| 7 | Vändbar platta | 1 |



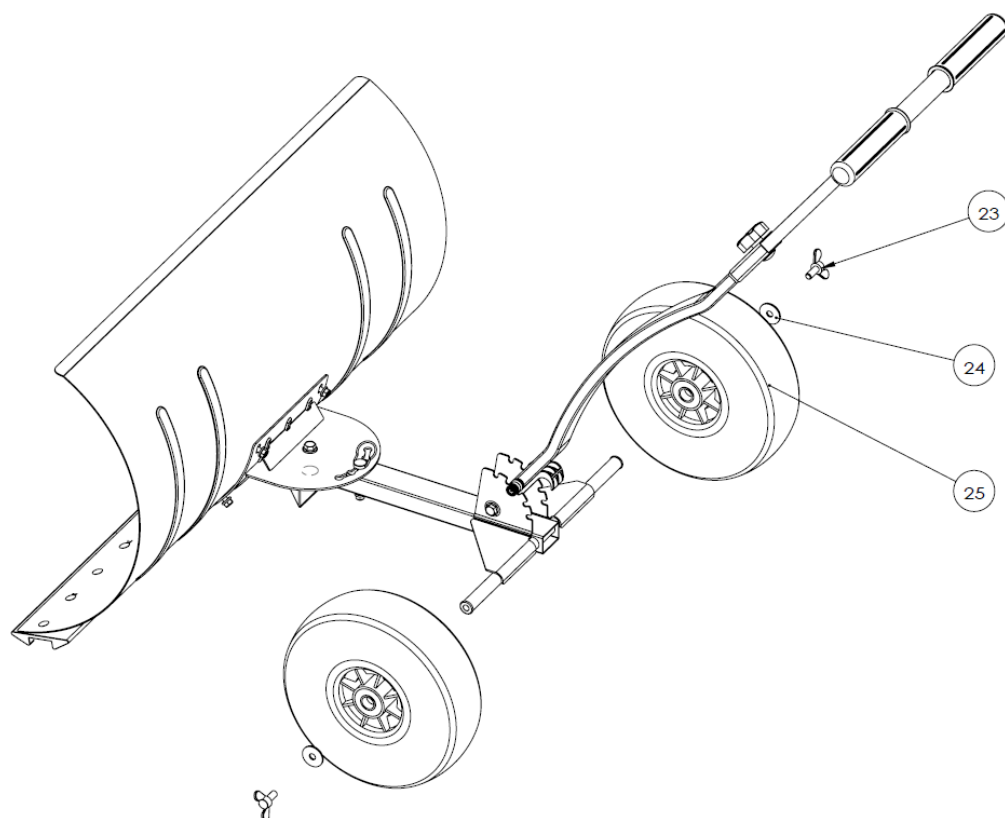
| INGA. | NAMN | ANTAL |
|-------|---------------------|-------|
| 8 | Huvudhållare | 1 |
| 9 | spänningsfjäder | 1 |
| 10 | Aluminiummutter | 1 |
| 11 | Plasttätning | 1 |
| 12 | Handtag i aluminium | 1 |
| 13 | Ledhuvud i plast | 1 |
| 14 | M6*40 plattskruv | 1 |
| 15 | skruvmutter | 1 |



| INGA. | NAMN | ANTAL |
|-------|------------------|-------|
| 16 | M6*45 plattskruv | 1 |
| 17 | M8 platt skruv | 1 |
| 18 | M6 platt skruv | 1 |
| 19 | Kavel | 1 |
| 20 | fixeringsstift | 1 |



| INGA. | NAMN | ANTAL |
|-------|-------------------------------------|-------|
| 20 | Övre stång med handtag | 1 |
| 21 | Plastmutter | 1 |
| 22 | M8*30 rund skruv med fyrkantig hals | 1 |



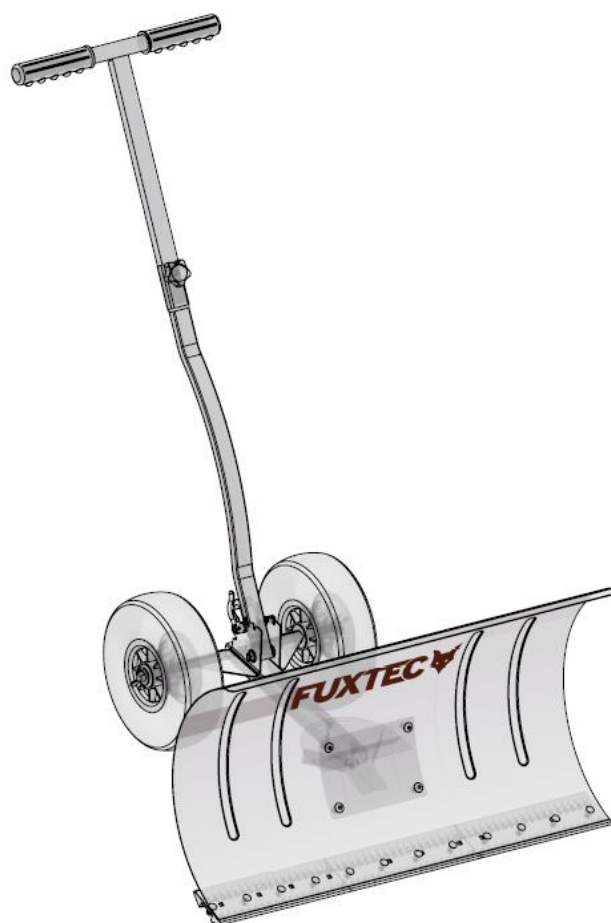
| INGA. | NAMN | ANTAL |
|-------|-----------------|-------|
| 23 | Vingskruv | 2 |
| 24 | 20*8,2*2 skivor | 4 |
| 25 | Däck | 2 |

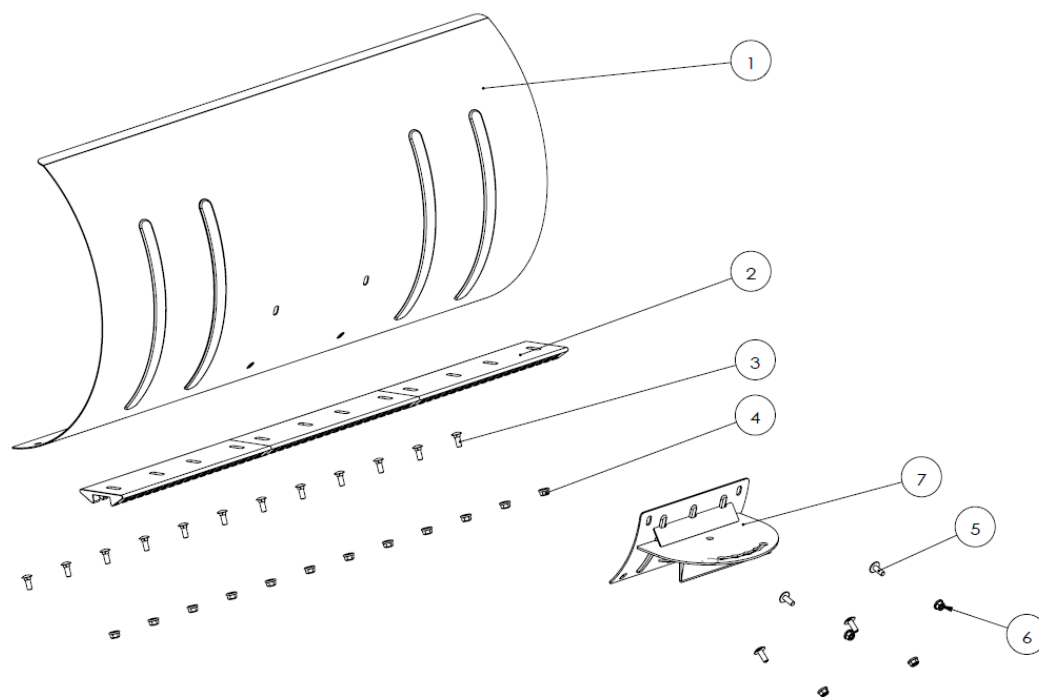
POLSKA WERSJA JEZYKOWA

FUXTEC

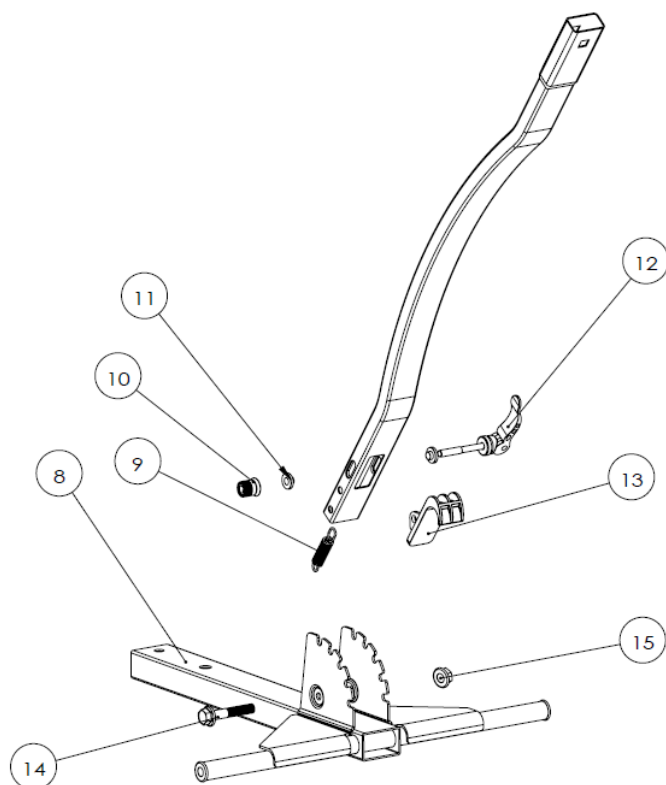
Łopata do śniegu

FX-SS740

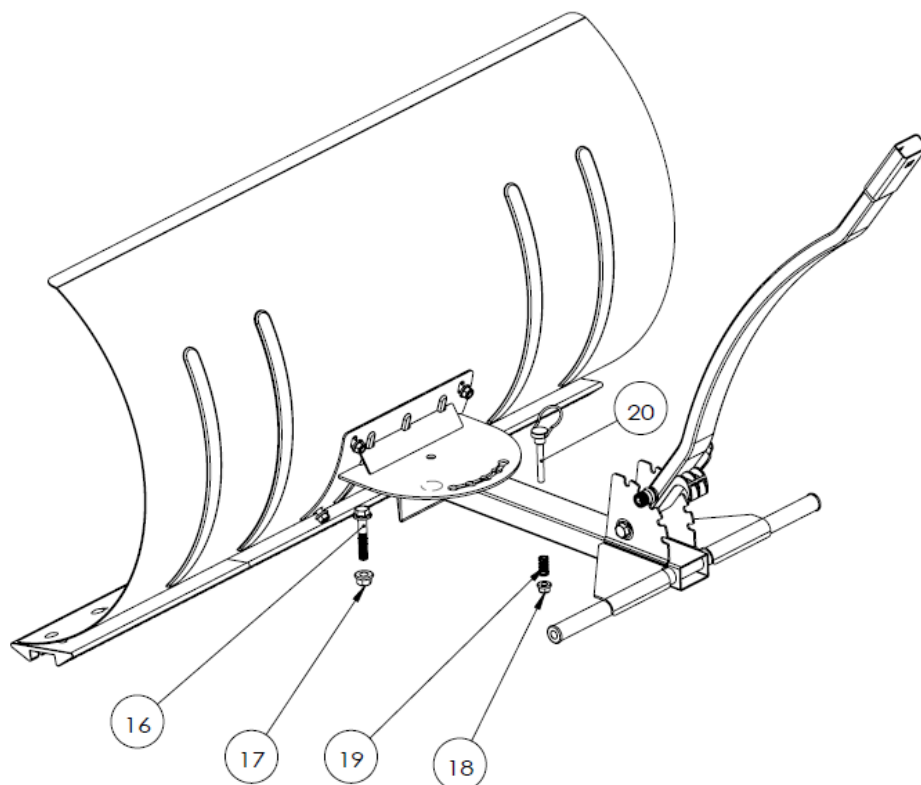




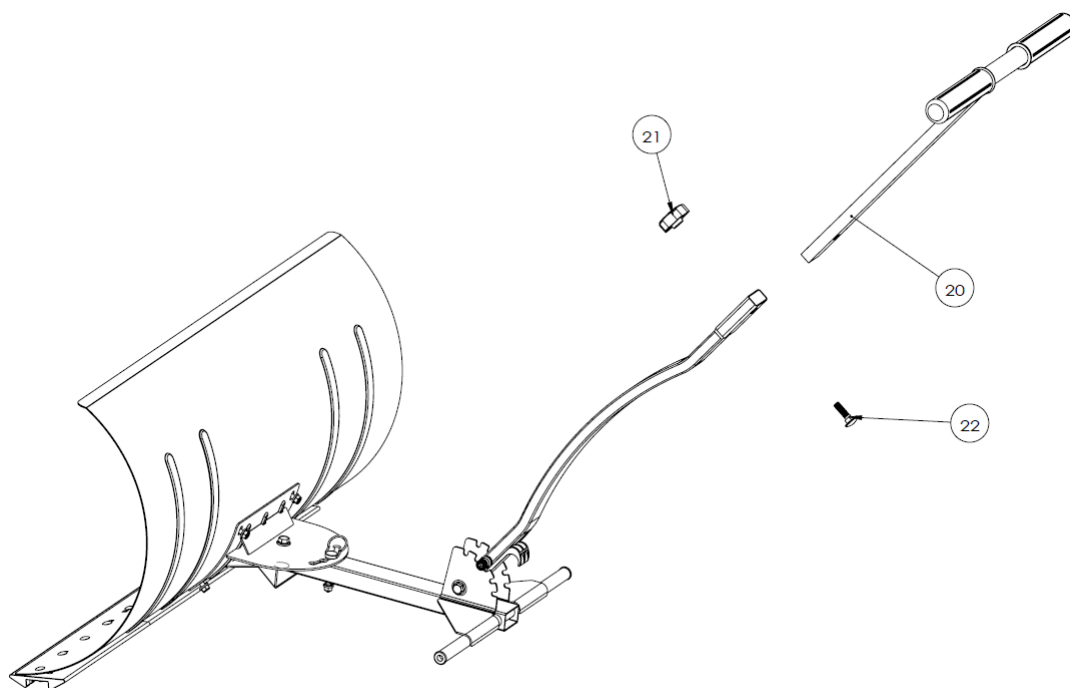
| NIE. | NAZWA | ILOŚĆ |
|------|---|-------|
| 1 | Ostrze śnieżne | 1 |
| 2 | Czyszczenie wargi | 3 |
| 3 | Śruby kwadratowe M6*15 | 12 |
| 4 | Nakrętka kwadratowa M6 | 12 |
| 5 | Śruby z łbem gniazdowym sześciokątnym M6*15 | 4 |
| 6 | Nakrętka z łbem sześciokątnym M6 | 4 |
| 7 | Płyta odwracalna | 1 |



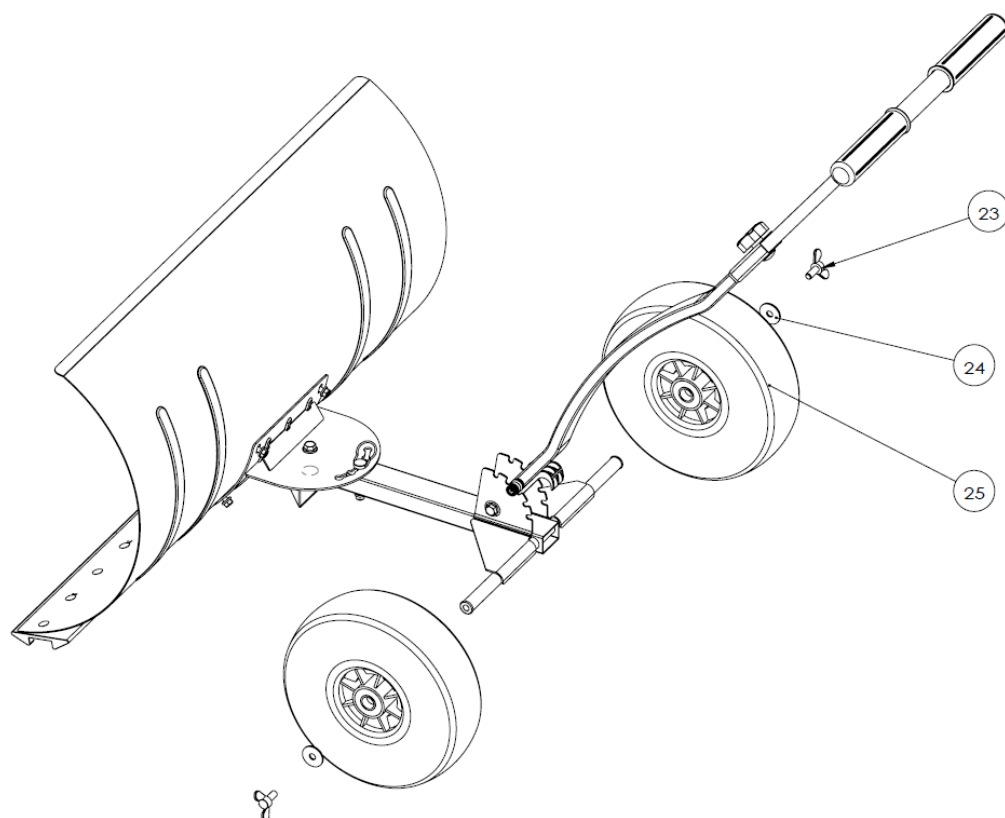
| NIE. | NAZWA | ILOŚĆ |
|------|--|-------|
| 8 | Główny uchwyt | 1 |
| 9 | sprężyna naciągowa | 1 |
| 10 | Nakrętka aluminiowa | 1 |
| 11 | Uszczelka plastikowa | 1 |
| 12 | Uchwyt aluminiowy | 1 |
| 13 | Głowica przegubowa z tworzywa sztucznego | 1 |
| 14 | Śruba płaska M6*40 | 1 |
| 15 | nakrętka | 1 |



| NIE. | NAZWA | ILOŚĆ |
|------|--------------------|-------|
| 16 | Śruba płaska M6*45 | 1 |
| 17 | Płaska śruba M8 | 1 |
| 18 | Śruba płaska M6 | 1 |
| 19 | Wałek do rolki | 1 |
| 20 | kołek mocujący | 1 |



| NIE. | NAZWA | ILOŚĆ |
|------|---|-------|
| 20 | Górny drążek z uchwytem | 1 |
| 21 | Plastikowa nakrętka | 1 |
| 22 | Śruba M8*30 z łbem okrągłym i kwadratową szyjką | 1 |



| NIE. | NAZWA | ILOŚĆ |
|------|--------------------|-------|
| 23 | Śruba skrzydełkowa | 2 |
| 24 | 20*8,2*2 plasterki | 4 |
| 25 | Opony | 2 |