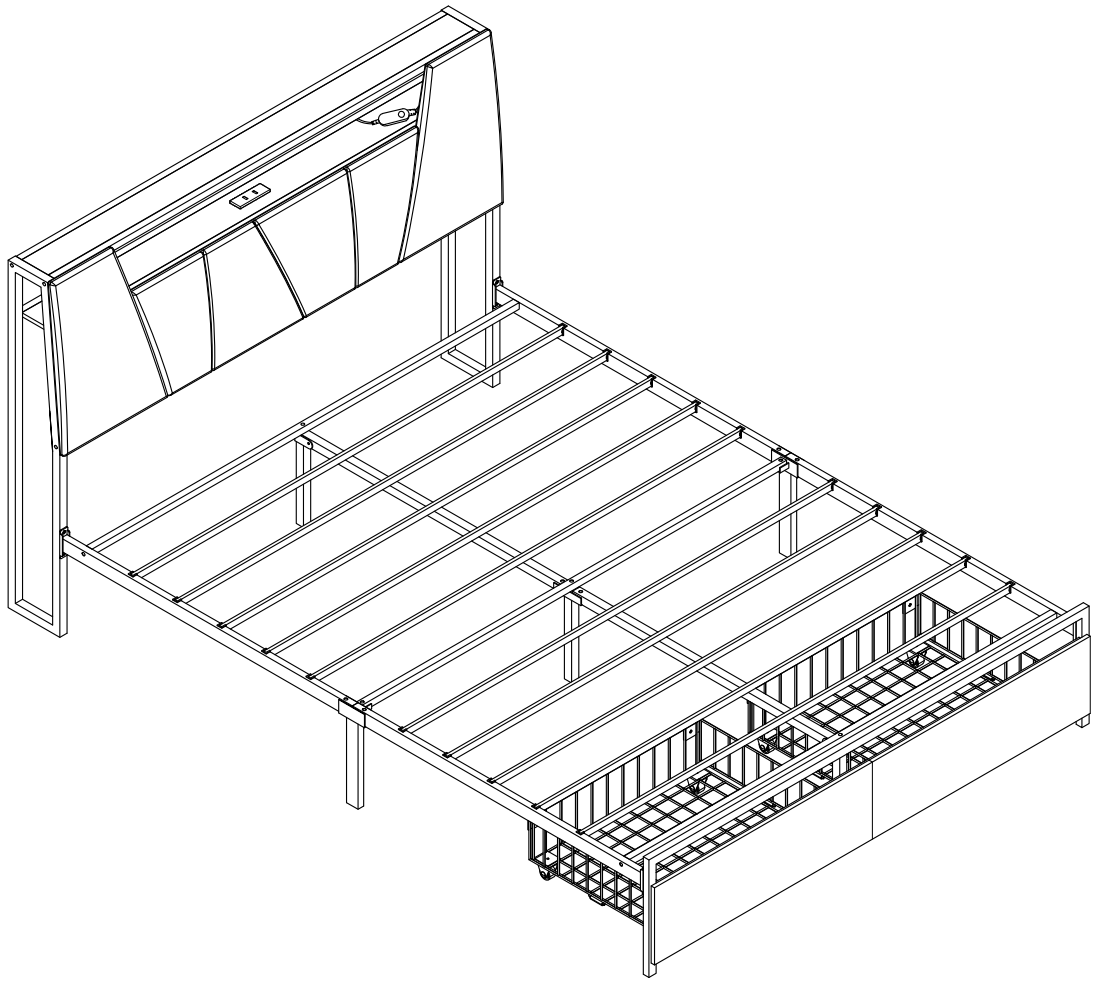
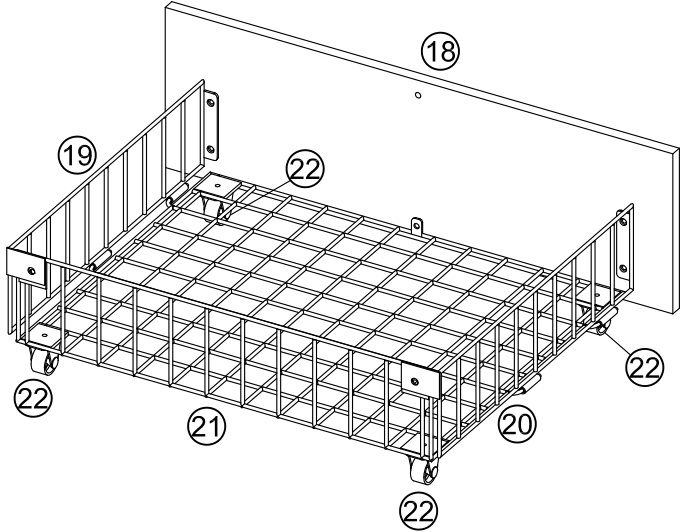
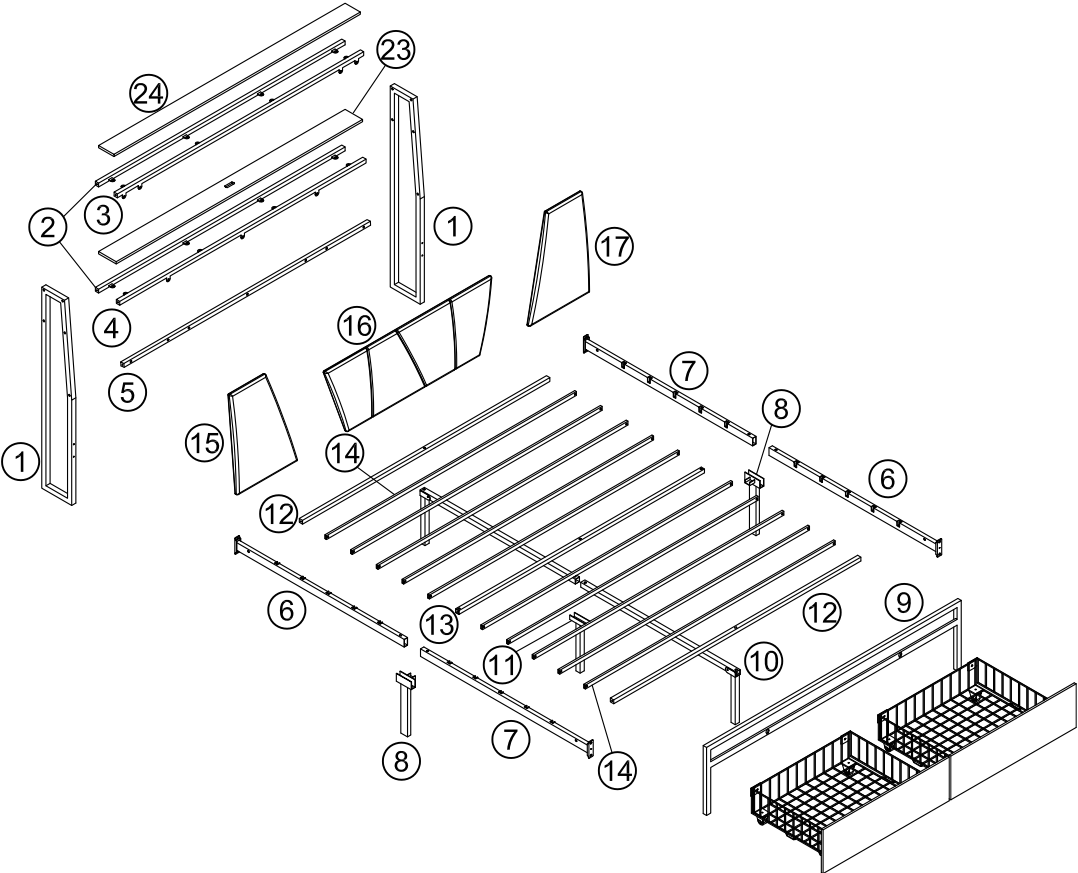


ASSEMBLY INSTRUCTION

SKU:WF321431 / WF321433
SKU:WF321432 / WF321434



ASSEMBLY INSTRUCTION



Parts List For WF321431/WF321433

②



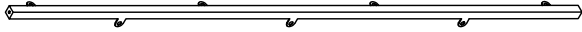
X2

③



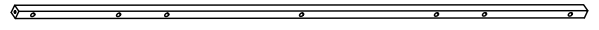
X1

④



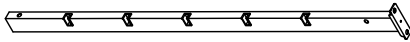
X1

⑤



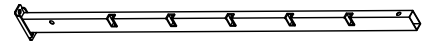
X1

⑥



X2

⑦



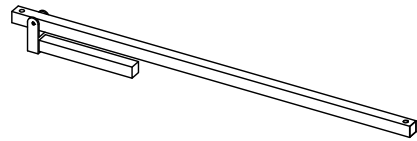
X2

⑨



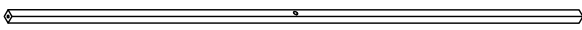
X1

⑩



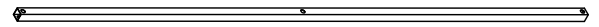
X2

⑫



X2

⑬



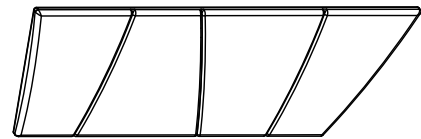
X1

⑭



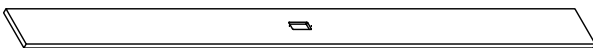
X10

⑯



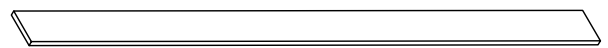
X1

⑳



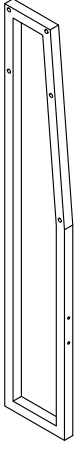

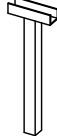
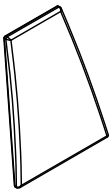

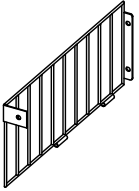
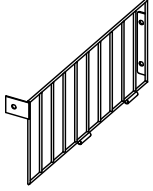
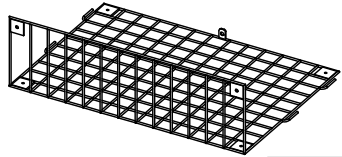

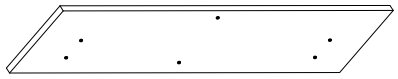
X1

㉔

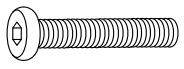
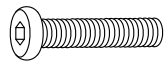
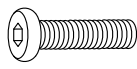
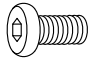
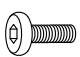

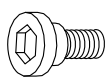

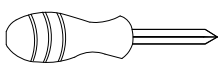
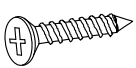




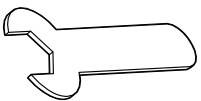
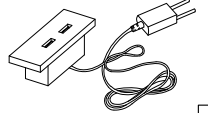
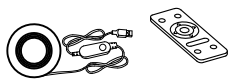


X1

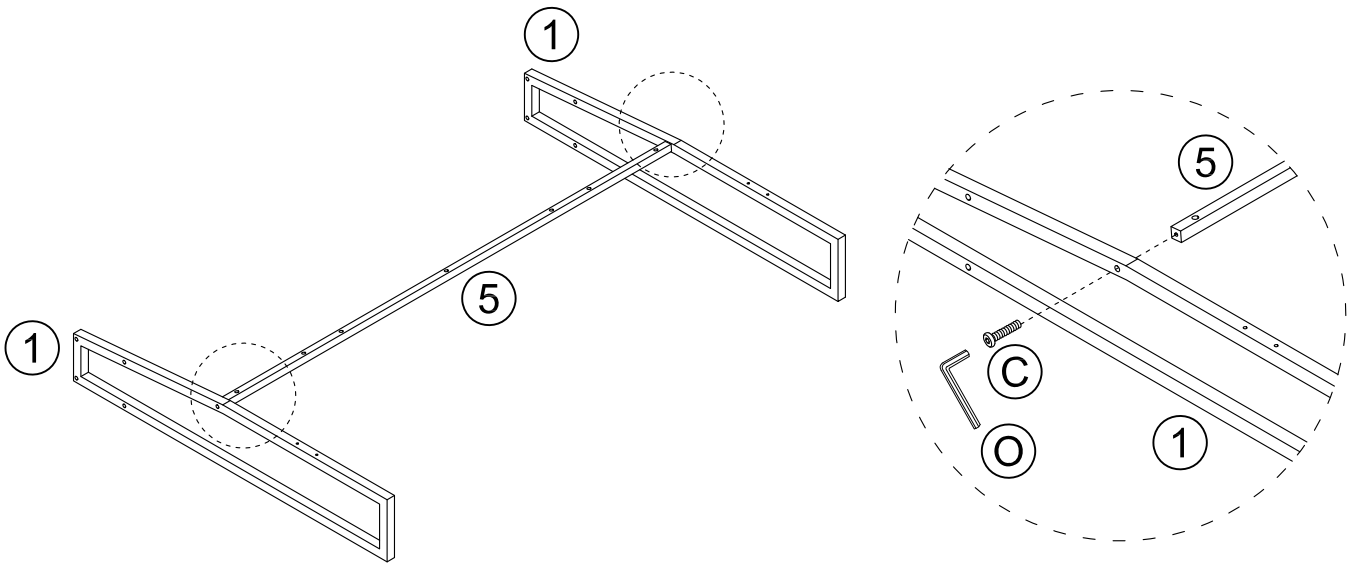
Parts List For WF321432/WF321434



| | | | |
|--|---|---|--|
| <p>①</p>  <p>X2</p> | <p>⑧</p>  <p>X2</p> | <p>⑪</p>  <p>X1</p> | <p>⑮</p>  <p>X1</p> |
| <p>⑰</p>  <p>X1</p> | <p>⑱</p>  <p>X2</p> | <p>⑳</p>  <p>X2</p> | <p>㉑</p>  <p>X2</p> |
| <p>㉒</p>  <p>X8</p> | <p>㉓</p>  <p>X2</p> | | |

Parts List For WF321432/WF321434

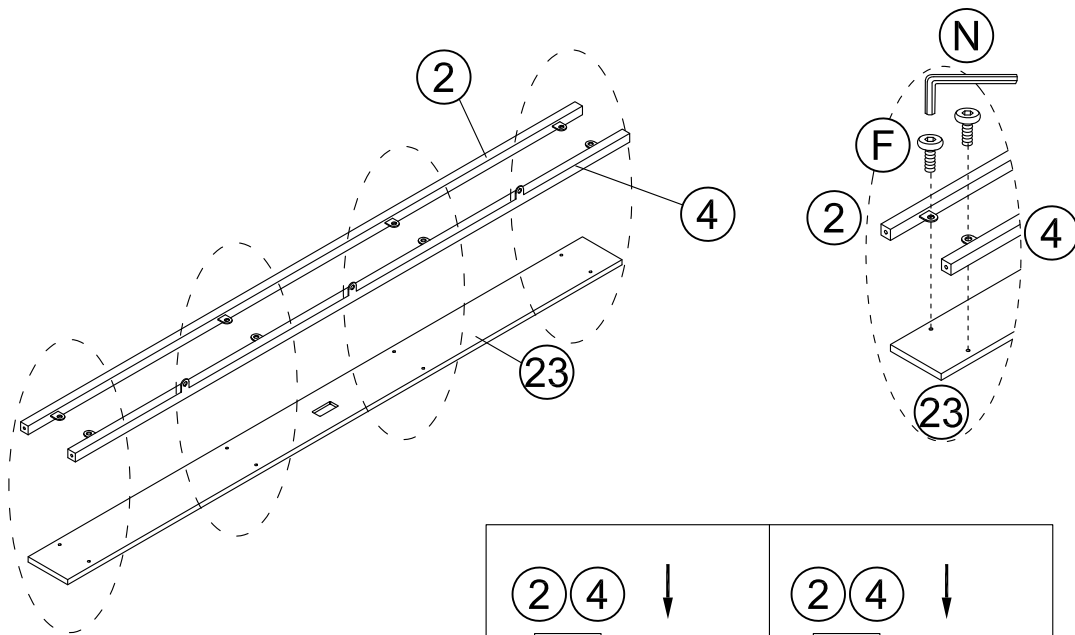
| | | | |
|---|--|---|---|
| <p>Ⓐ</p>  <p>M8x60mm</p> <p>X3</p> | <p>Ⓑ</p>  <p>M8x50mm</p> <p>X4</p> | <p>Ⓒ</p>  <p>M8x40mm</p> <p>X18</p> | <p>Ⓓ</p>  <p>M8x20mm</p> <p>X8</p> |
| <p>Ⓔ</p>  <p>M6x30mm</p> <p>X7</p> | <p>Ⓕ</p>  <p>M6x12mm</p> <p>X37</p> | <p>Ⓖ</p>  <p>M8x16mm</p> <p>X2</p> | <p>Ⓗ</p>  <p>M6</p> <p>X4</p> |
| <p>Ⓙ</p>  <p>X1</p> | <p>Ⓚ</p>  <p>M3x12mm</p> <p>X2</p> | <p>Ⓛ</p>  <p>∅17*∅8.5*2</p> <p>X5</p> | <p>Ⓜ</p>  <p>X8</p> |
| <p>Ⓝ</p>  <p>M4</p> <p>X1</p> | <p>Ⓞ</p>  <p>M5</p> <p>X1</p> | <p>Ⓟ</p>  <p>X1</p> | <p>Ⓠ</p>  <p>X1</p> |
| <p>Ⓡ</p>  <p>X1</p> | | | |

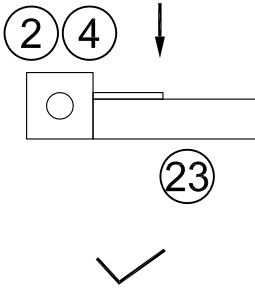
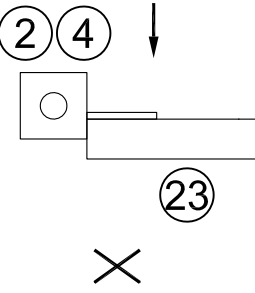


1



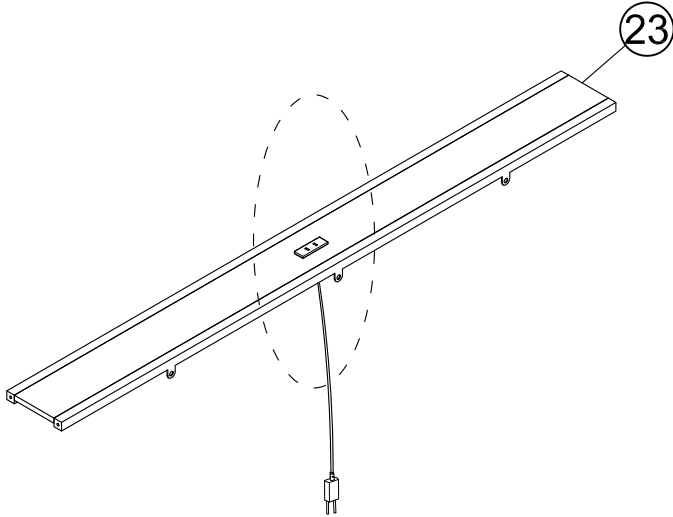
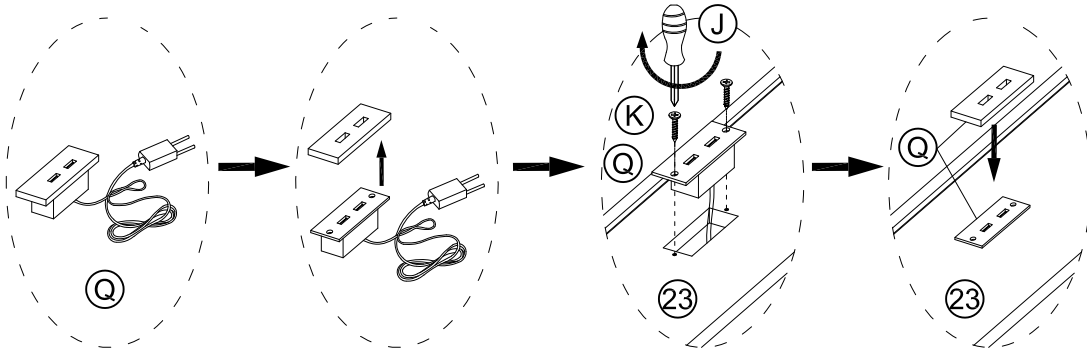
| | |
|---|--------|
|  | (C) X2 |
|  | (O) X1 |

2



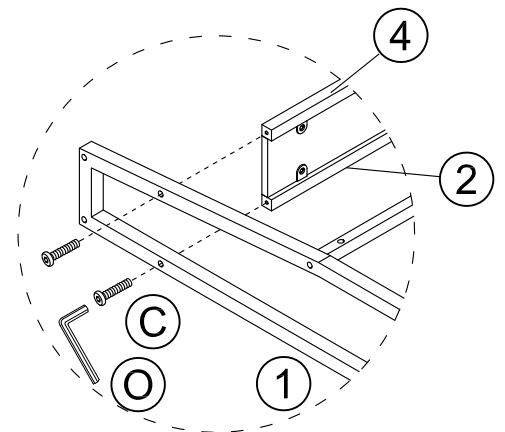
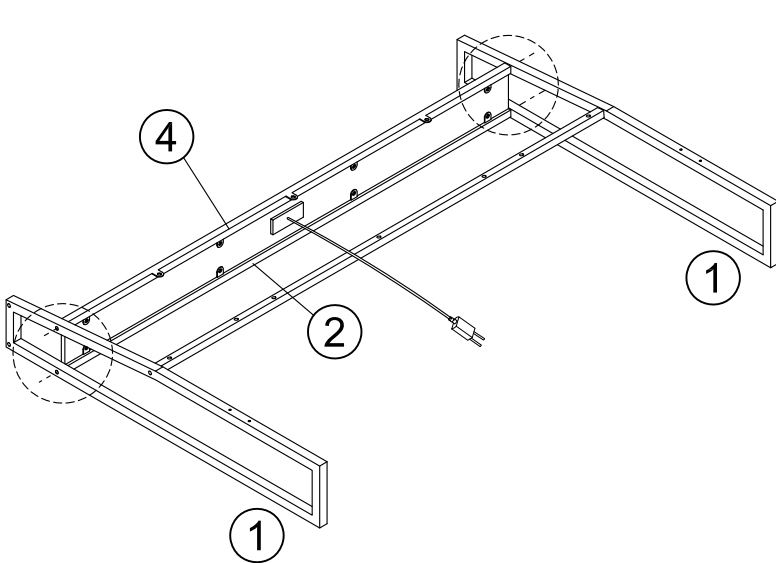
| | | | |
|---|--|---|--------|
|  |  |  | (F) X8 |
| | |  | (N) X1 |

3



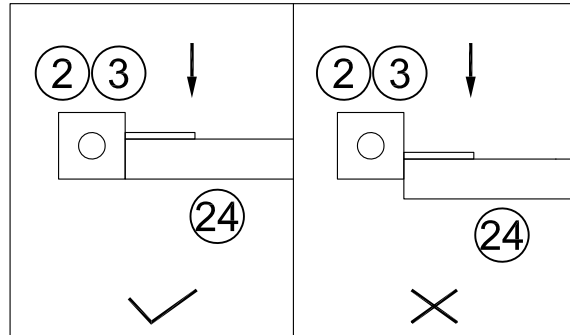
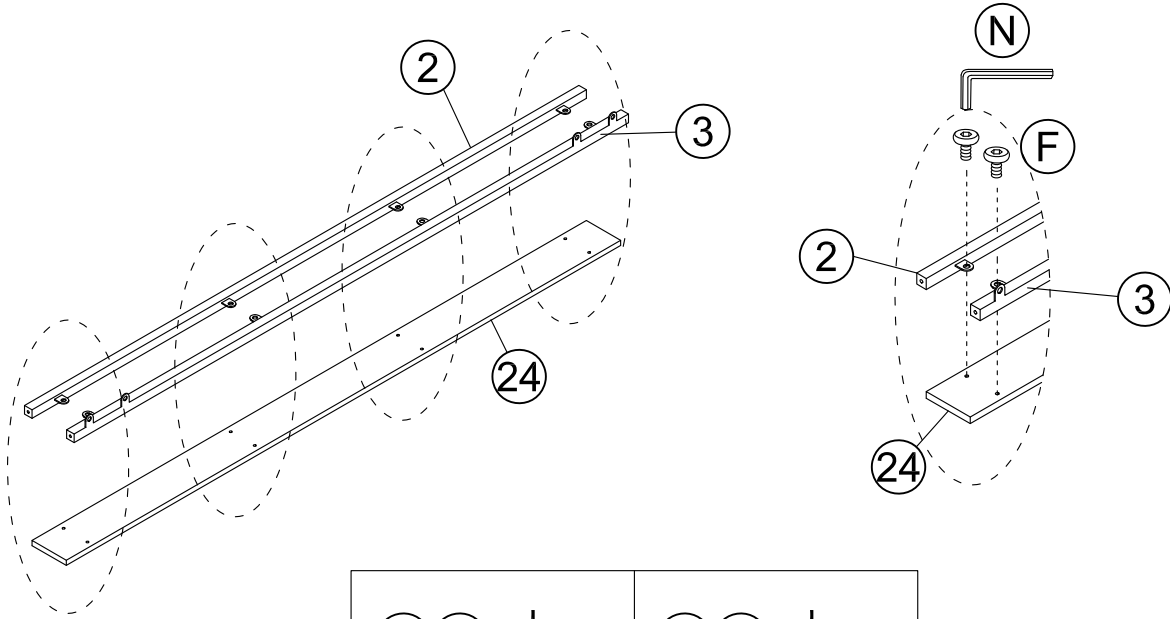
| | | |
|--|---|----|
| | Q | X1 |
| | K | X2 |
| | J | X1 |



4



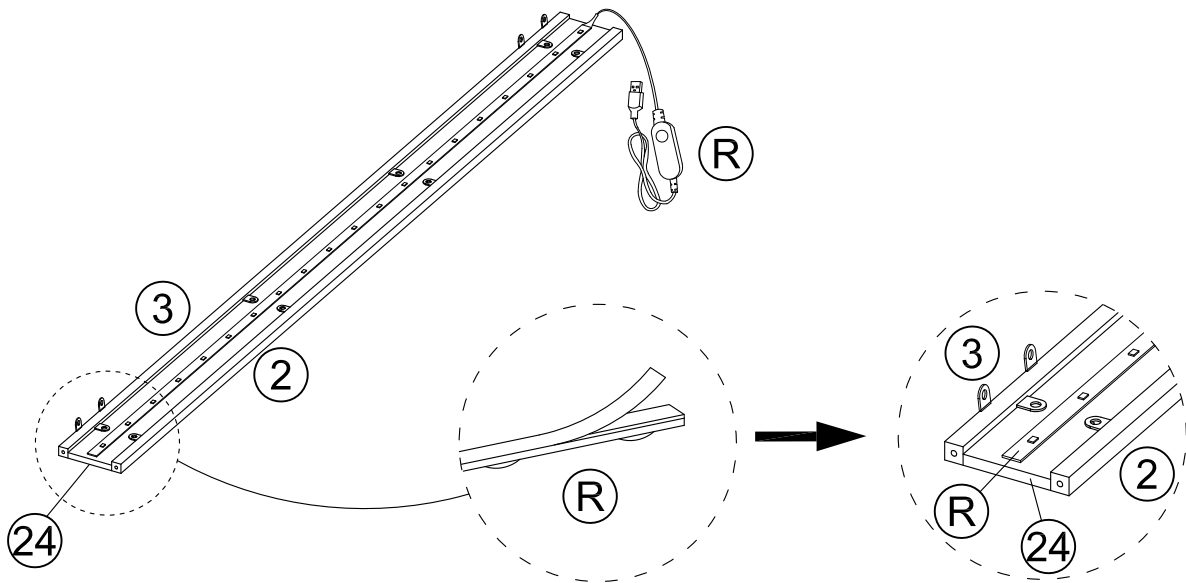
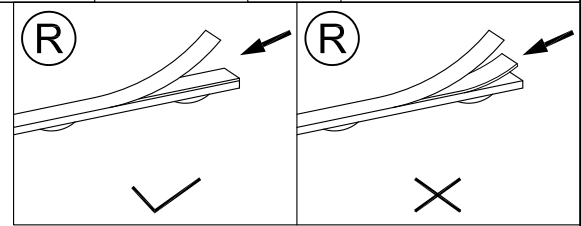
| | | |
|--|---|----|
| | C | X4 |
| | O | X1 |

5



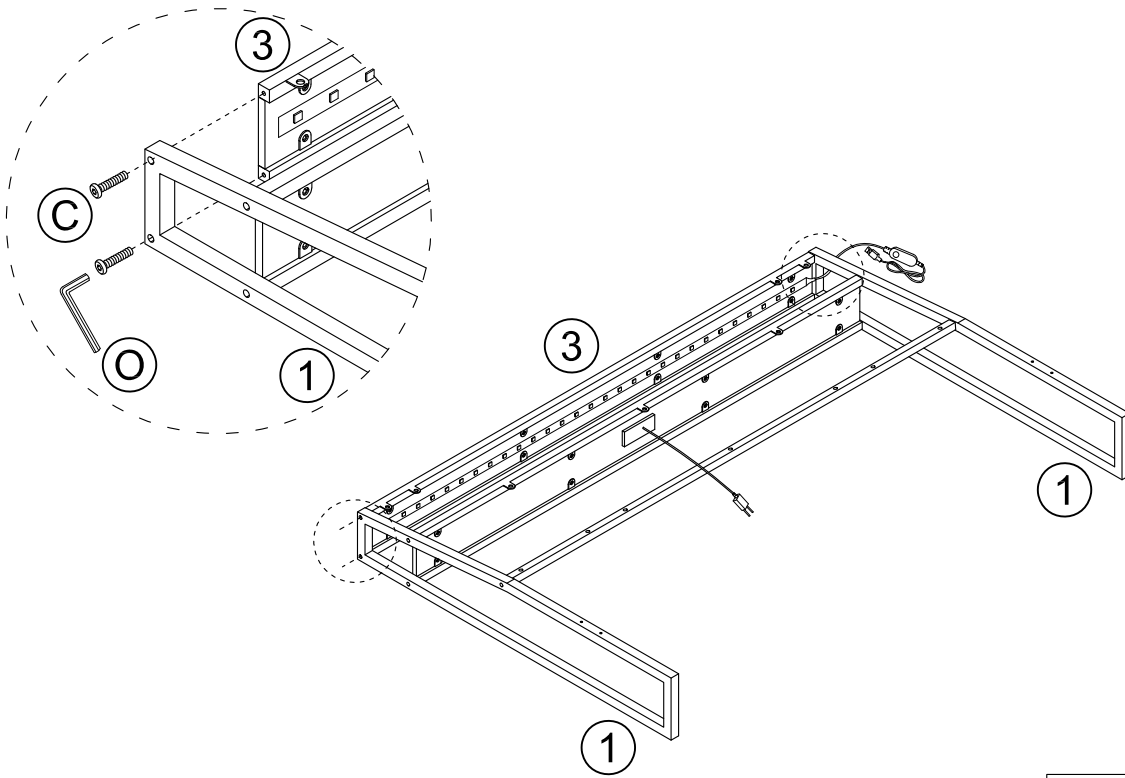
| | |
|---|--------|
|  | (F) X8 |
|  | (N) X1 |



6



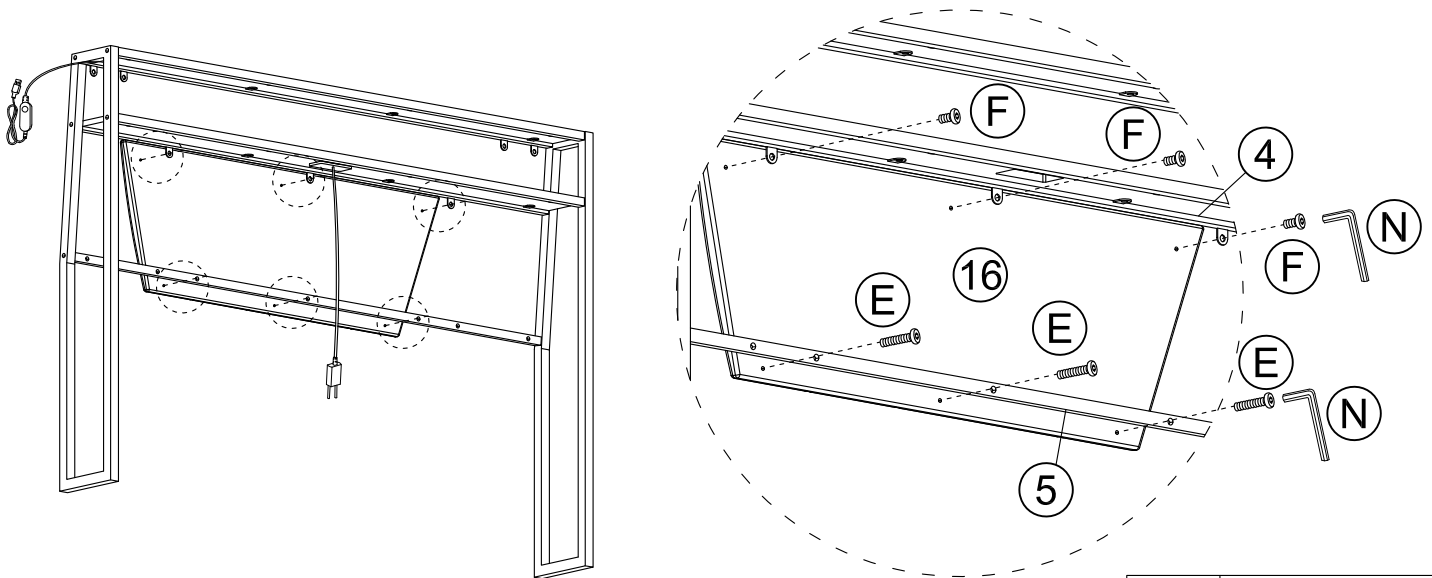
| | |
|---|--------|
|  | (R) X1 |
|---|--------|




7



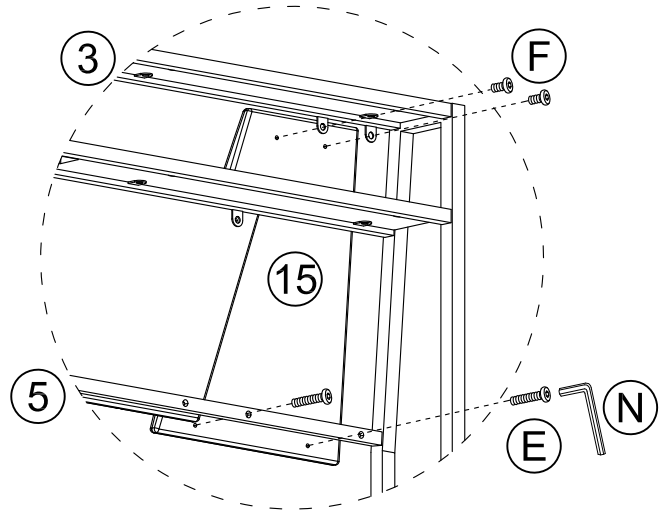
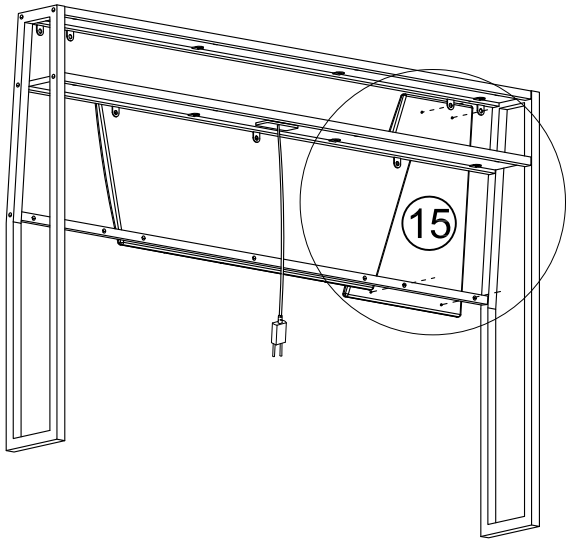
| | |
|---|------|
|  | ⓐ X4 |
|  | ⓐ X1 |




8



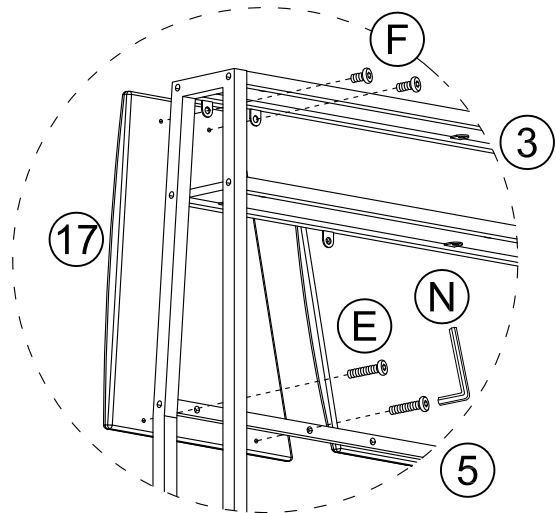
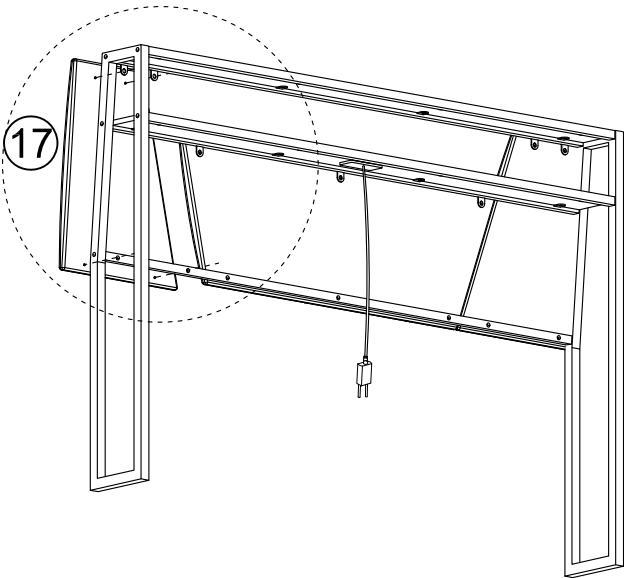
| | |
|---|------|
|  | ⓐ X3 |
|  | ⓐ X3 |
|  | ⓐ X1 |




9



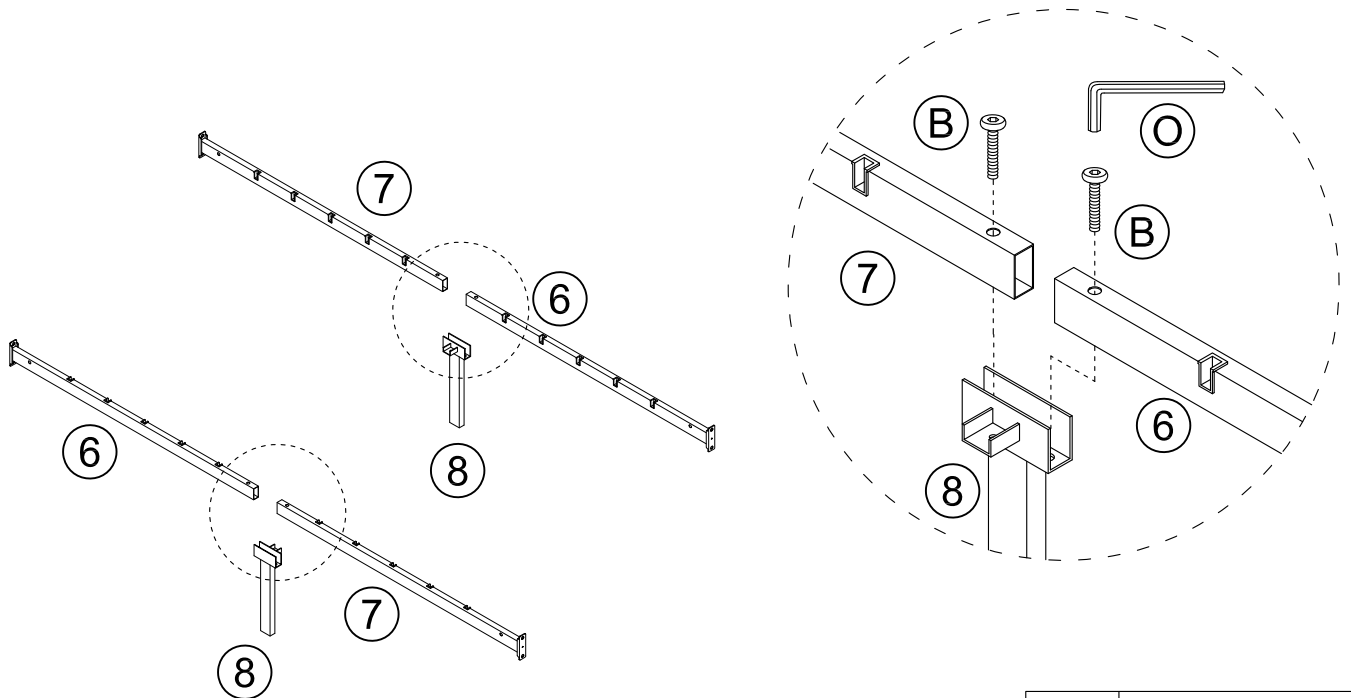
| | |
|---|--------|
|  | (E) X2 |
|  | (F) X2 |
|  | (N) X1 |



10



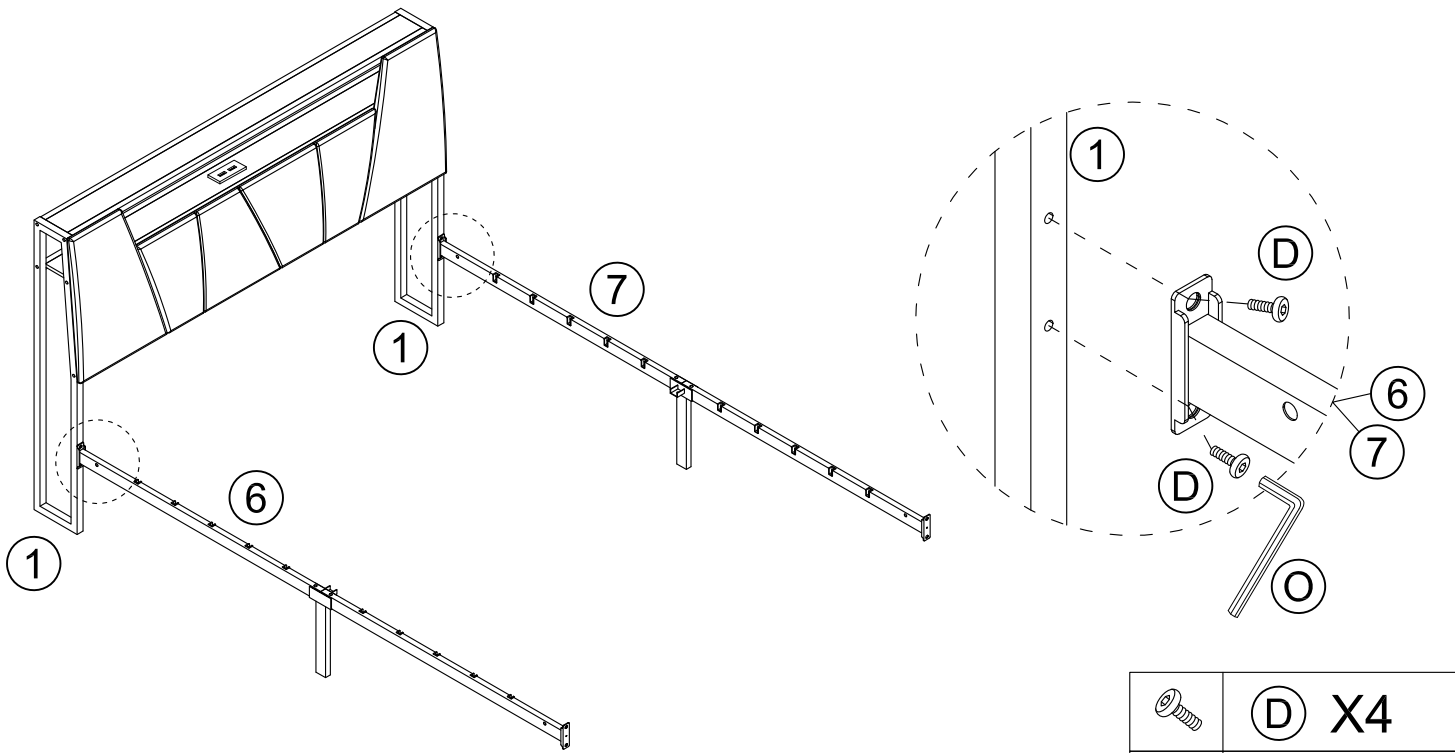
| | |
|---|--------|
|  | (E) X2 |
|  | (F) X2 |
|  | (N) X1 |



11



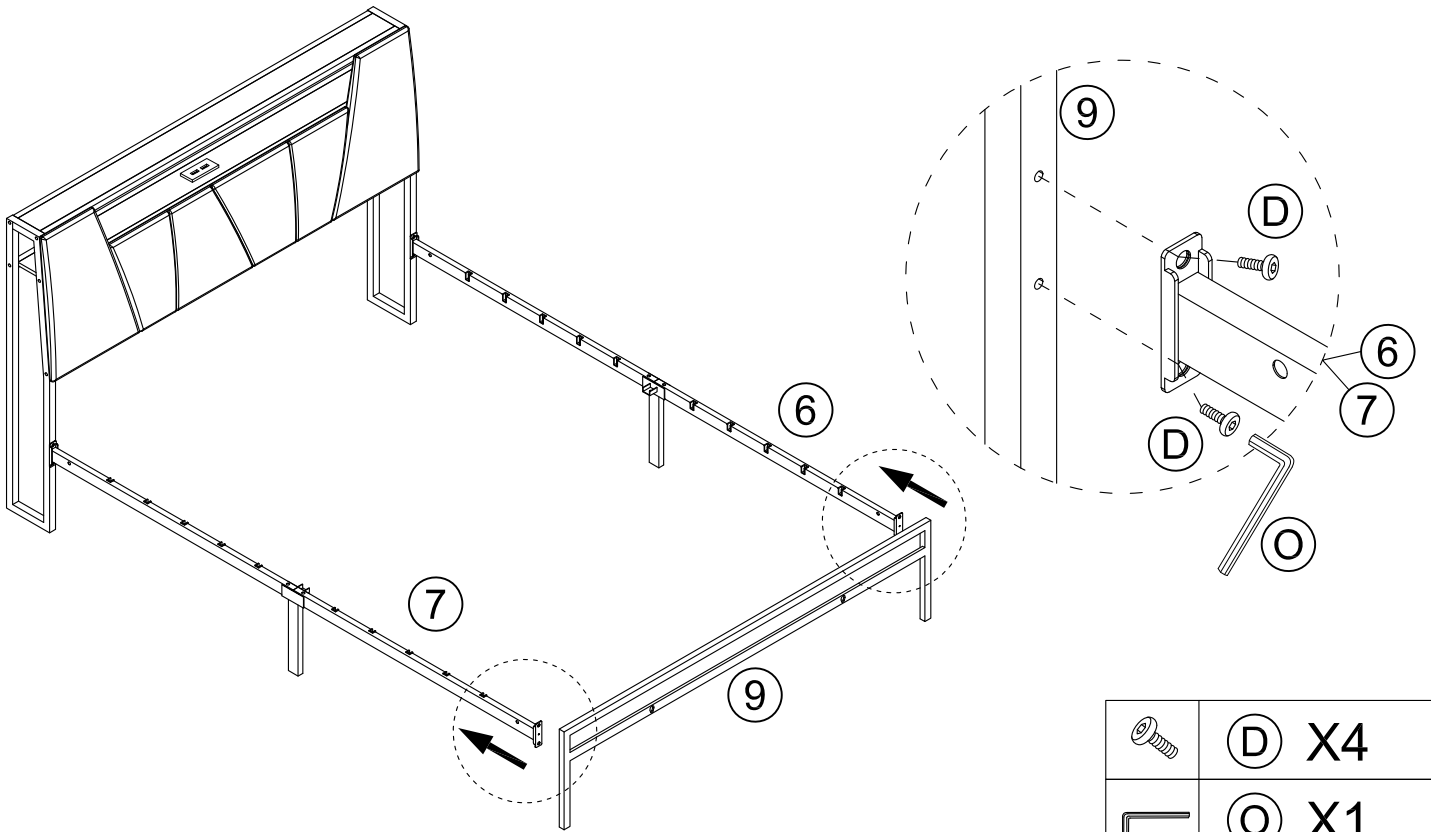
| | |
|---|--------|
|  | (B) X4 |
|  | (O) X1 |



12



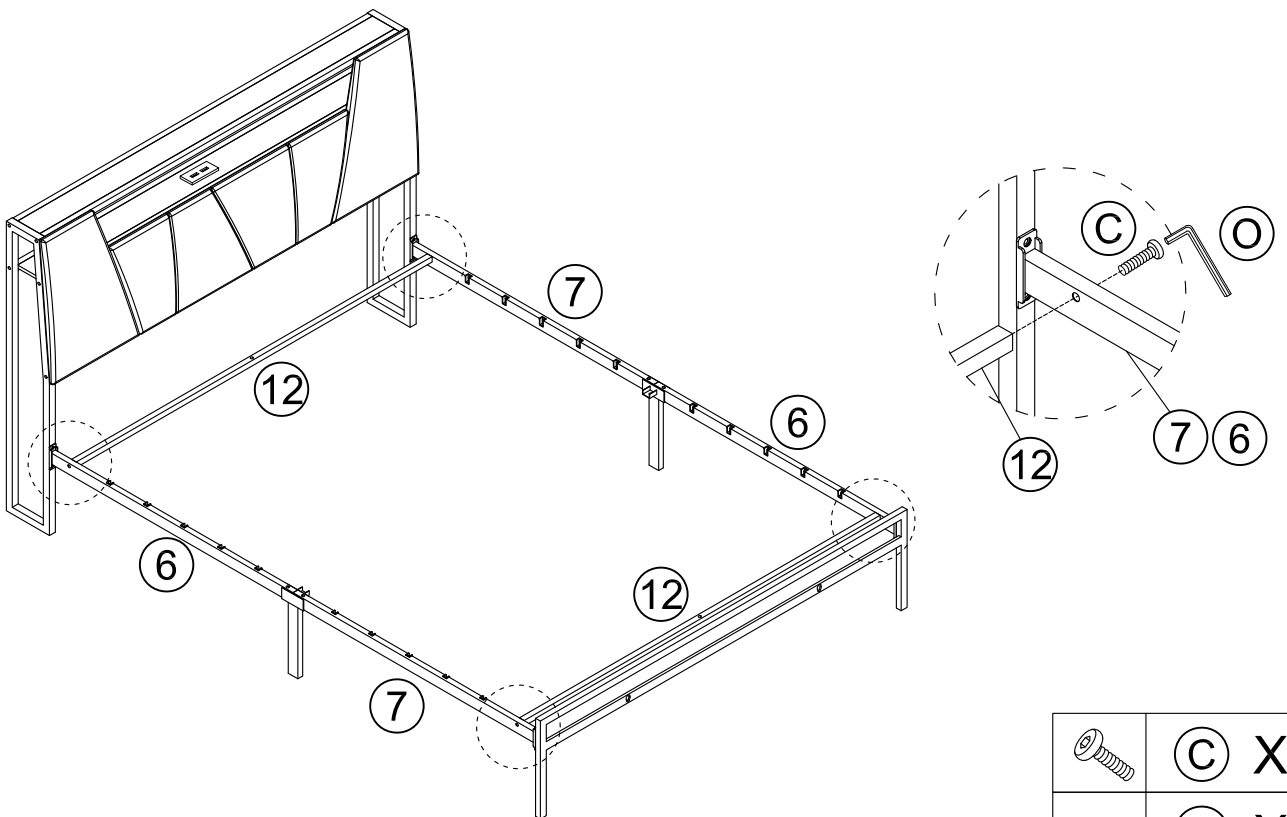
| | |
|---|--------|
|  | (D) X4 |
|  | (O) X1 |



13



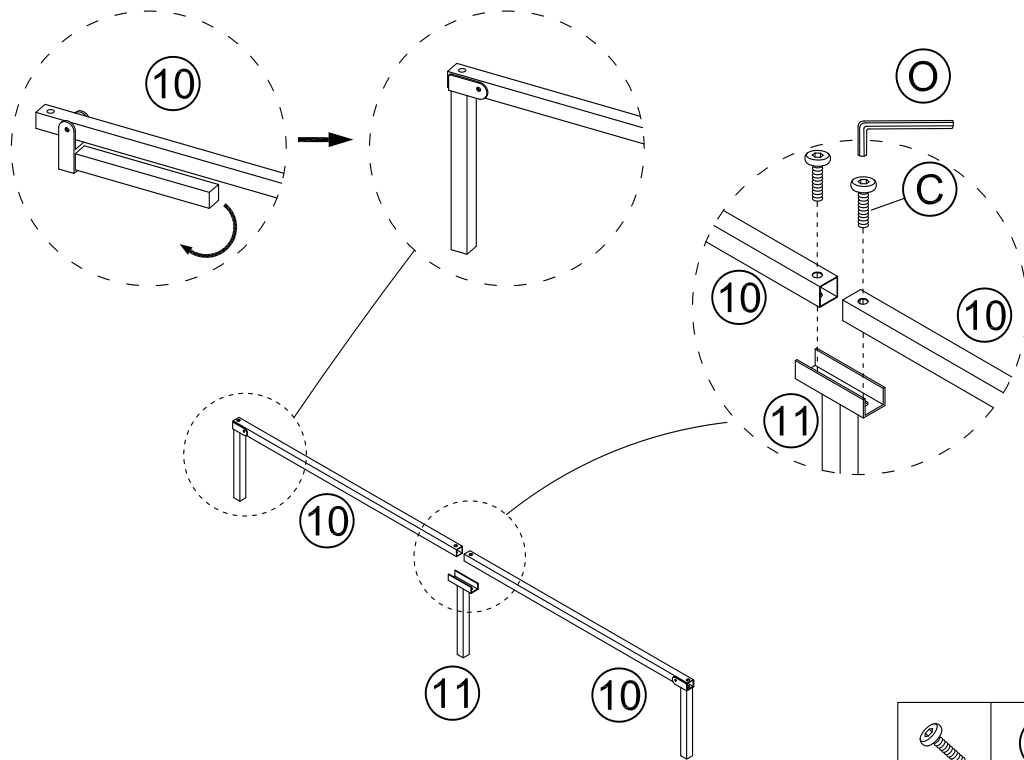
| | |
|---|--------|
|  | (D) X4 |
|  | (O) X1 |



14



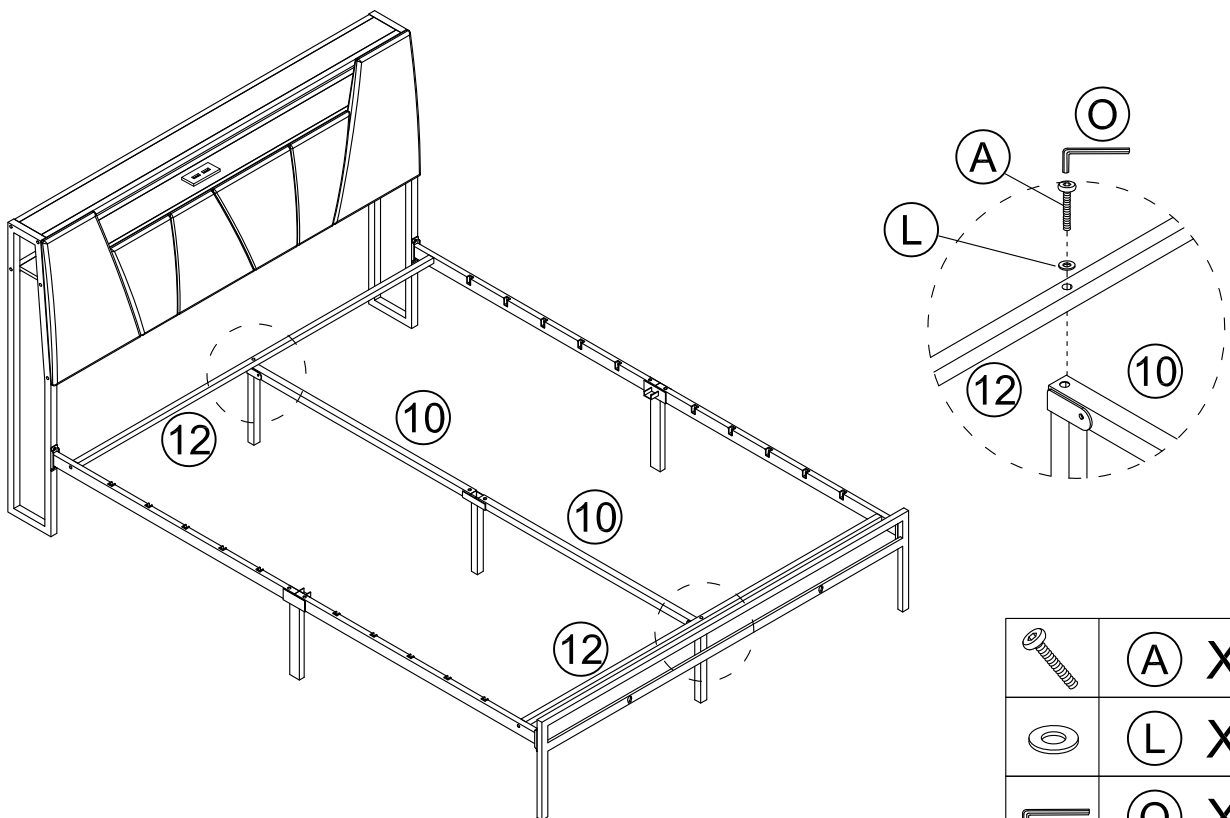
| | |
|---|--------|
|  | (C) X4 |
|  | (O) X1 |




15



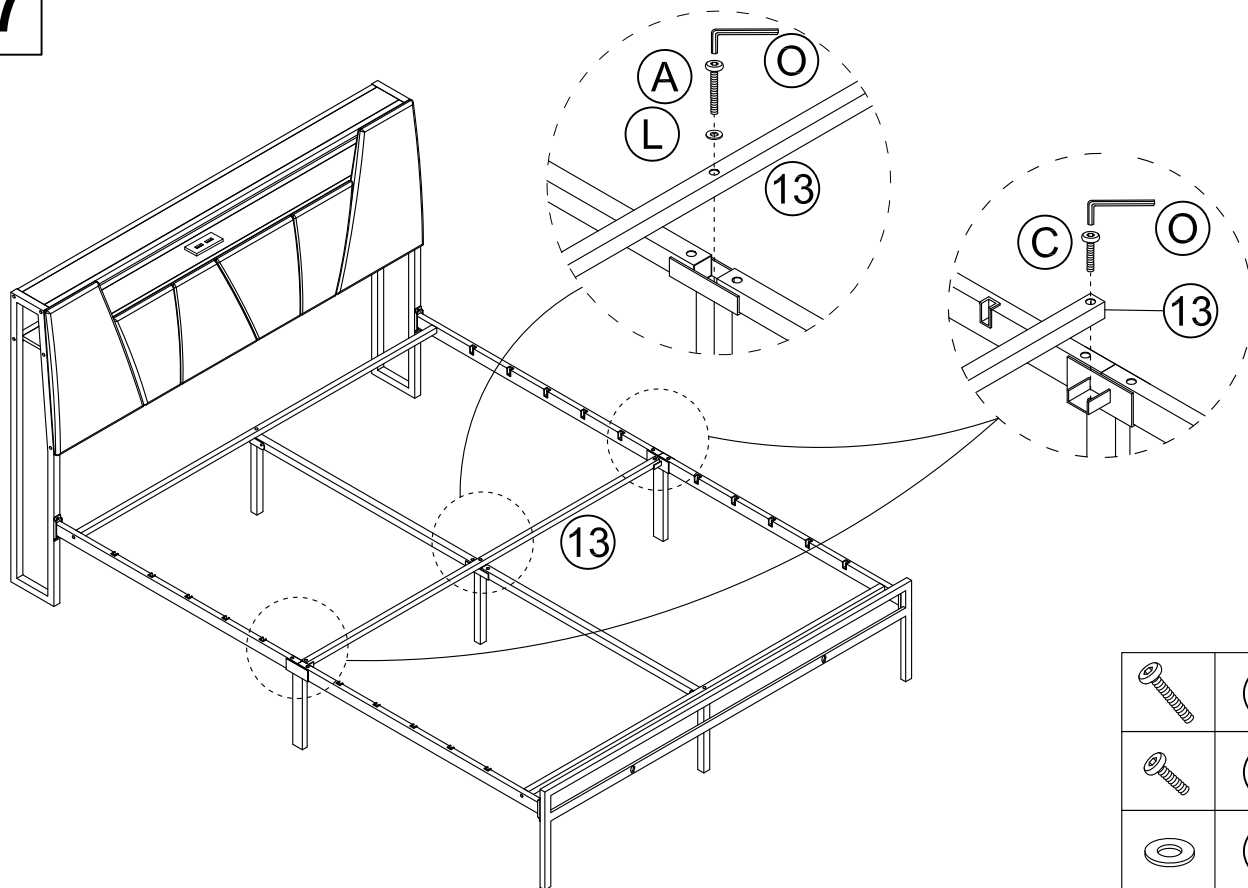
| | |
|---|------|
|  | ⓐ X2 |
|  | ⓐ X1 |





16



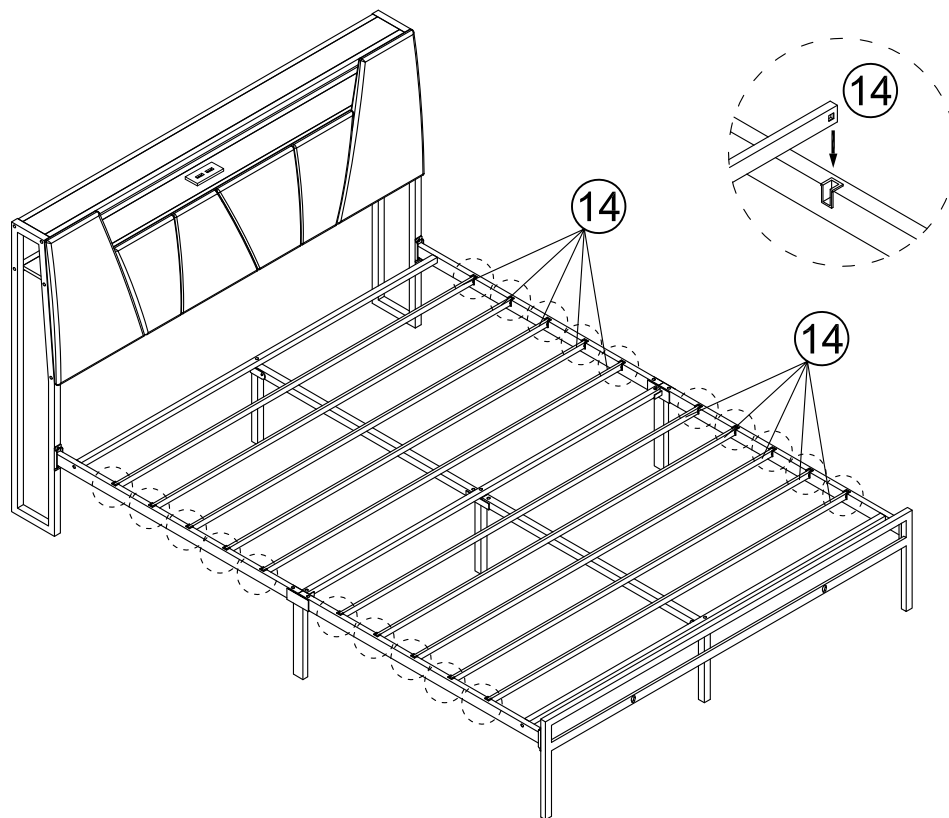
| | |
|---|------|
|  | Ⓐ X2 |
|  | Ⓛ X2 |
|  | ⓐ X1 |

17

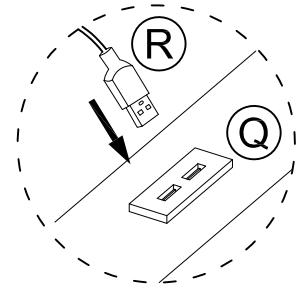
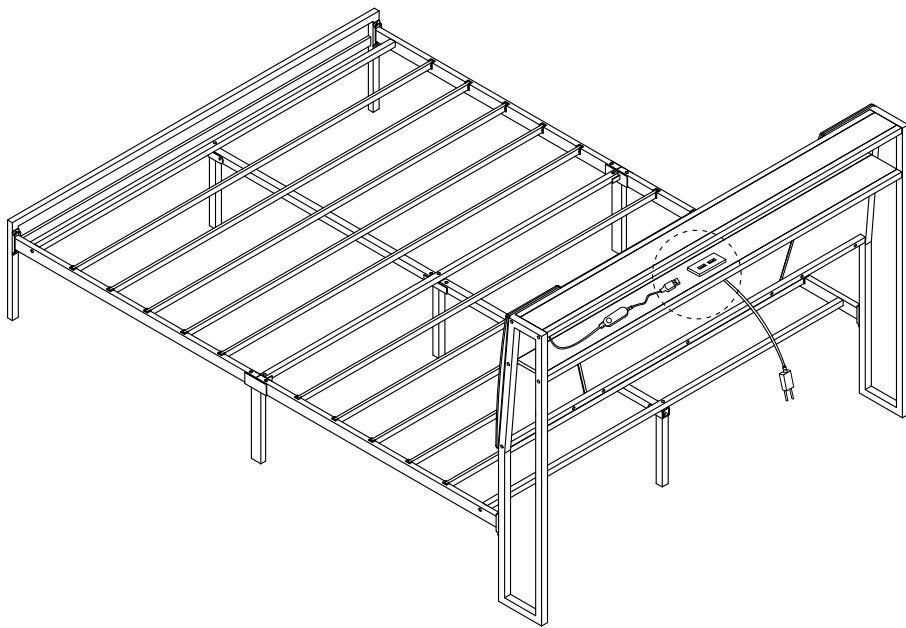


| | |
|---|--------|
|  | (A) X1 |
|  | (C) X2 |
|  | (L) X1 |
|  | (O) X1 |

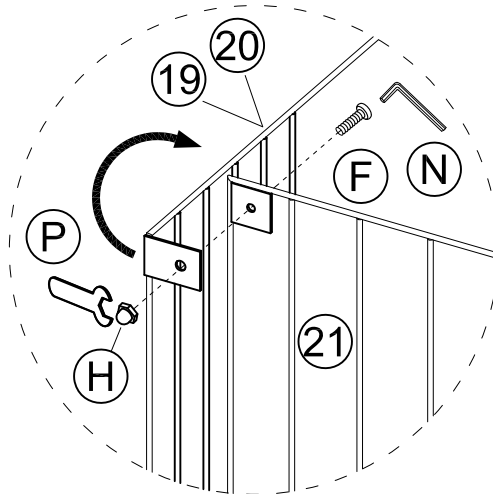
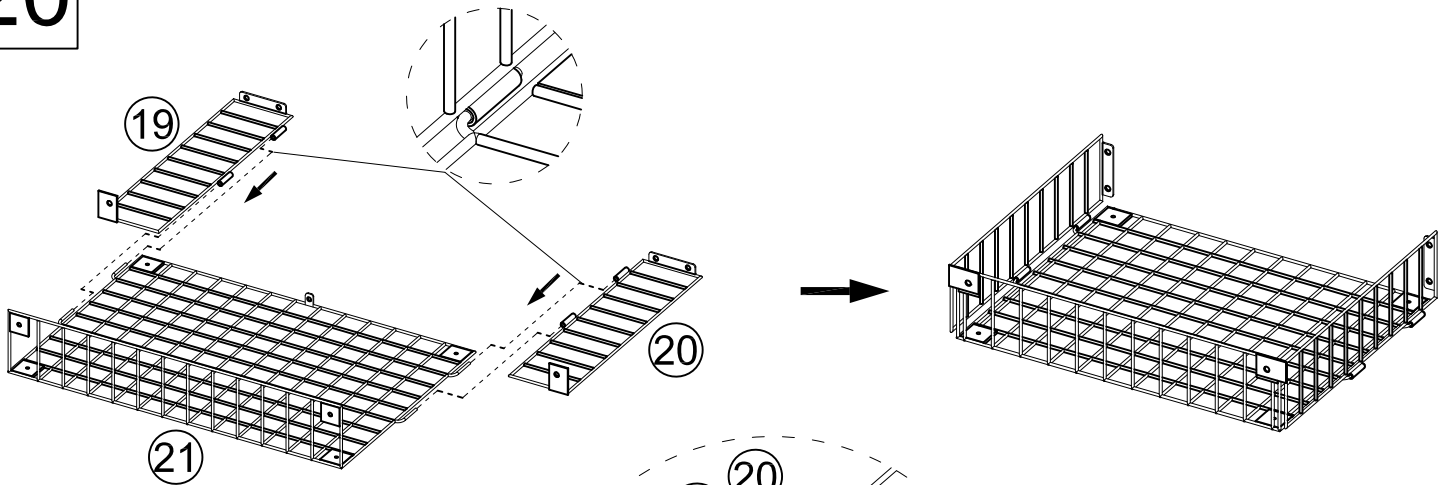
18







19



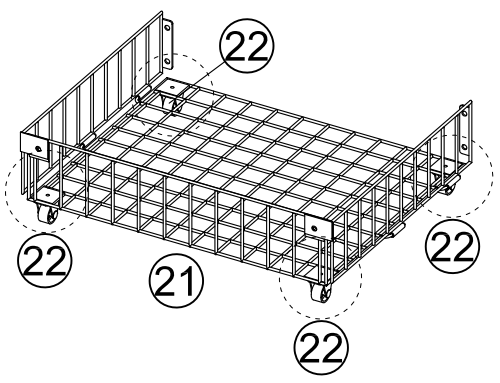
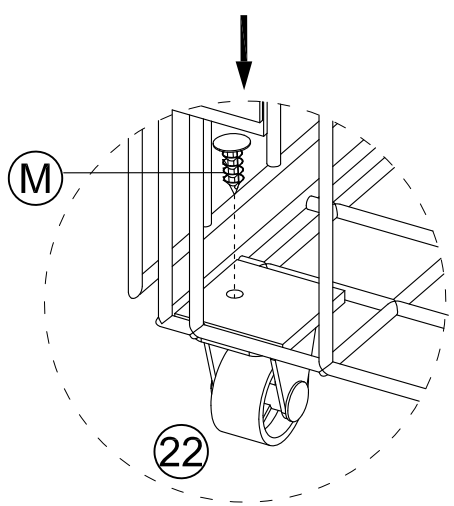
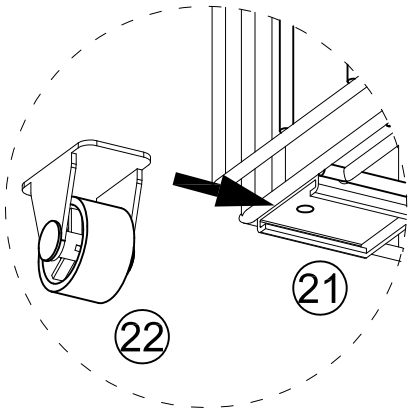
20




X2

| | |
|---|--------|
|  | (F) X4 |
|  | (H) X4 |
|  | (N) X1 |
|  | (P) X1 |

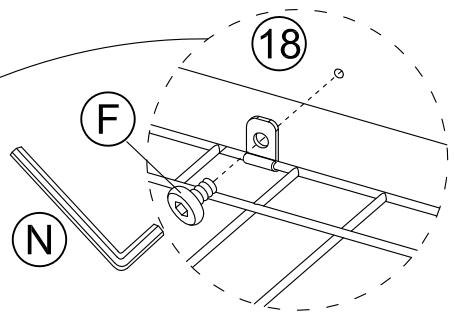
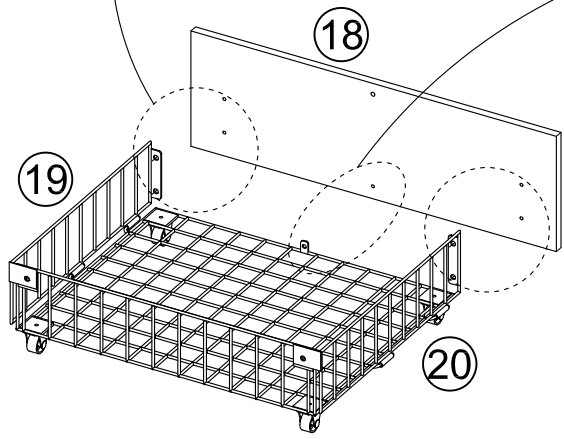
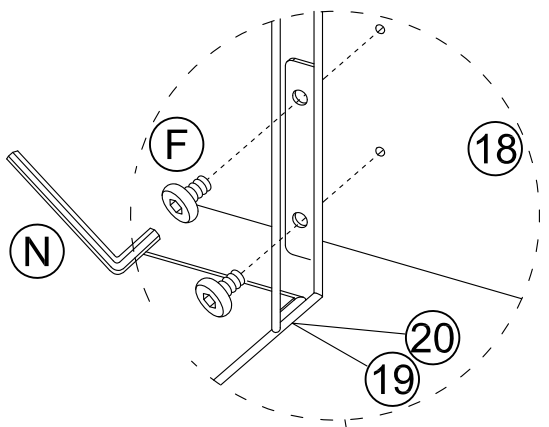
21





X2

| | |
|---|--------|
|  | (M) X8 |
|---|--------|

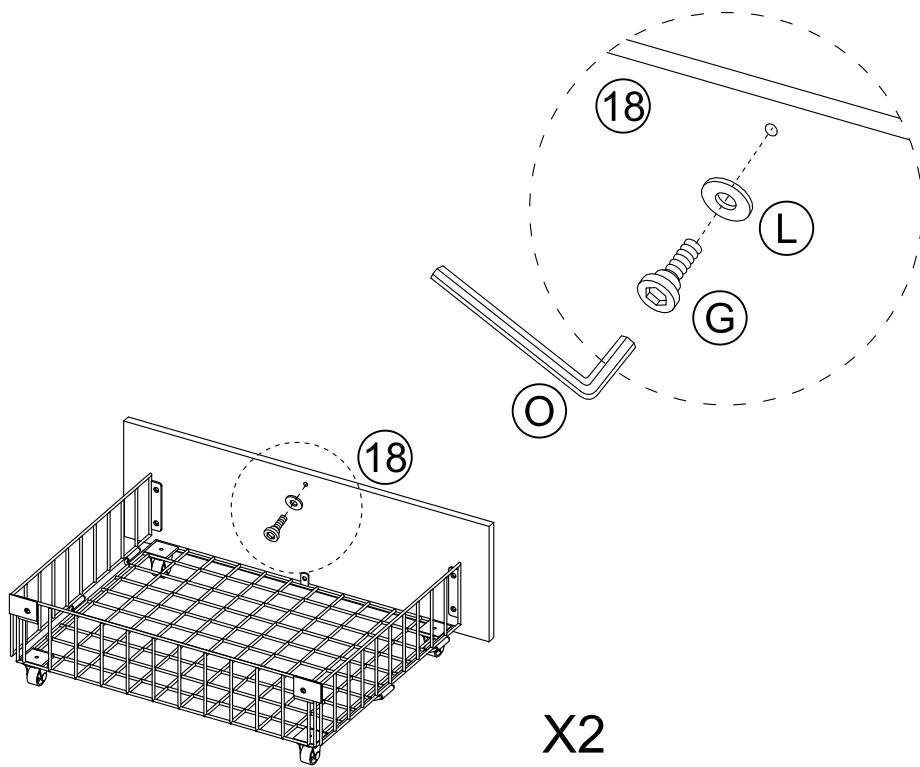
22






X2

| | |
|---|---------|
|  | (F) X10 |
|  | (N) X1 |

23



X2

| | |
|---|------|
|  | ⓐ X2 |
|  | Ⓛ X2 |
|  | ⓐ X1 |

24

