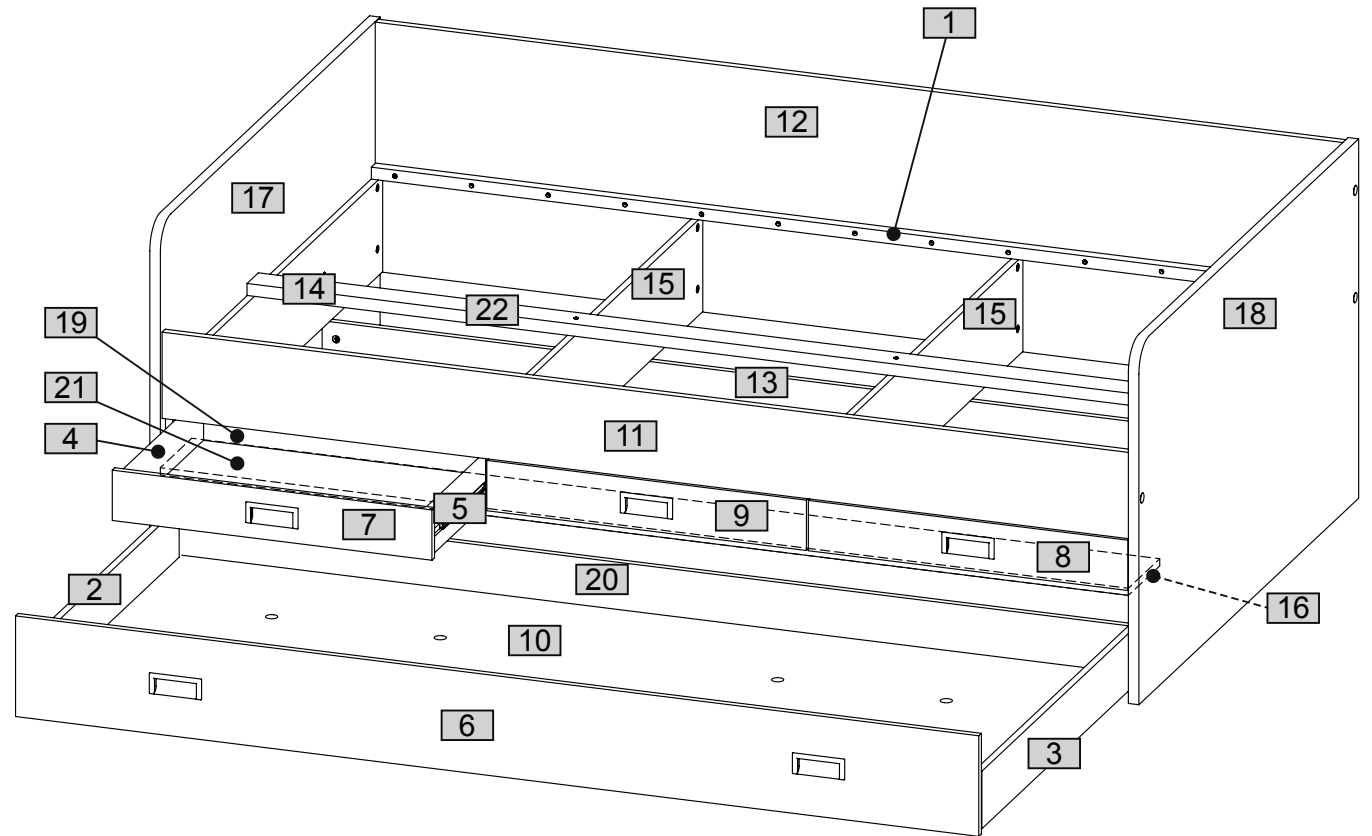
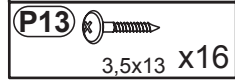
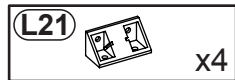
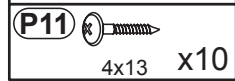
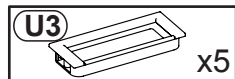
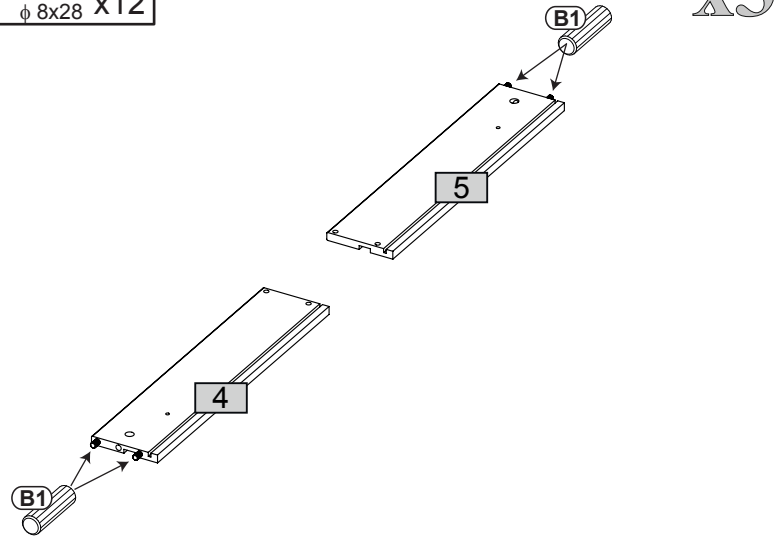
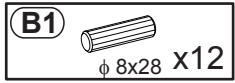


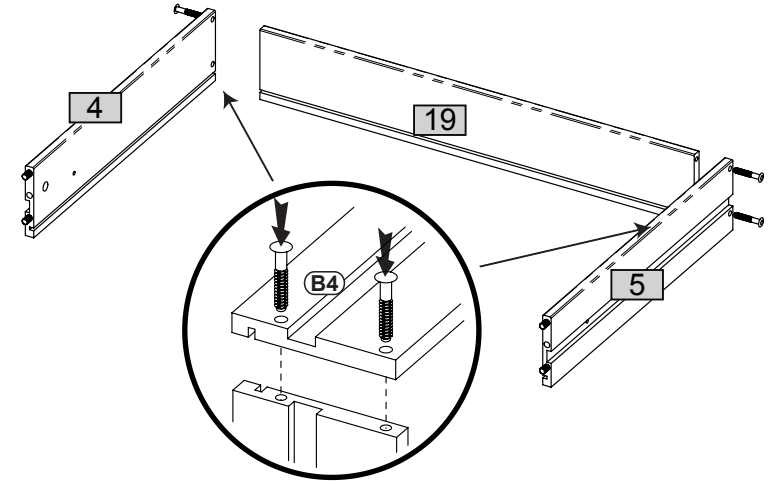
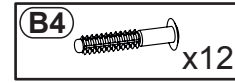
Nr	Ausmaß	St	Colli
1	2018 25 25	2	1
2	900 120 15	1	1
3	900 120 15	1	1
4	450 100 12	3	4
5	450 100 12	3	4
6	2010 210 15	1	2
7	667 105 15	1	2
8	667 105 15	1	2
9	667 105 15	1	2
10	1982 900 15	1	2
11	2020 180 18	1	1
12	2020 520 18	1	1
13	2020 230 15	1	1
14	1204 200 15	2	4
15	1204 200 15	2	4
16	2020 180 15	1	2
17	1260 750 22	1	3
18	1260 750 22	1	3
19	621 100 12	3	4
20	1982 104 15	1	1
21	632 449 2 3	3	3
22	2018 65 25	1	1



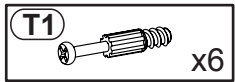
## 1



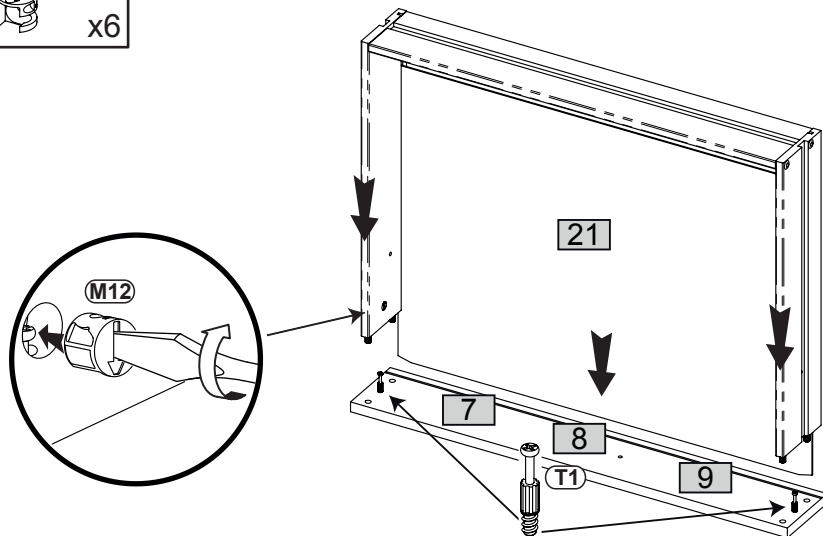
## 2



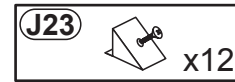
## 3



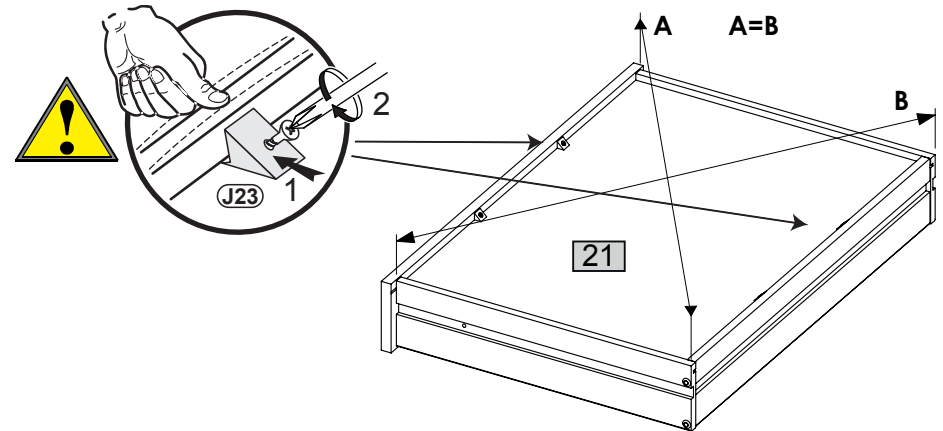
## x3



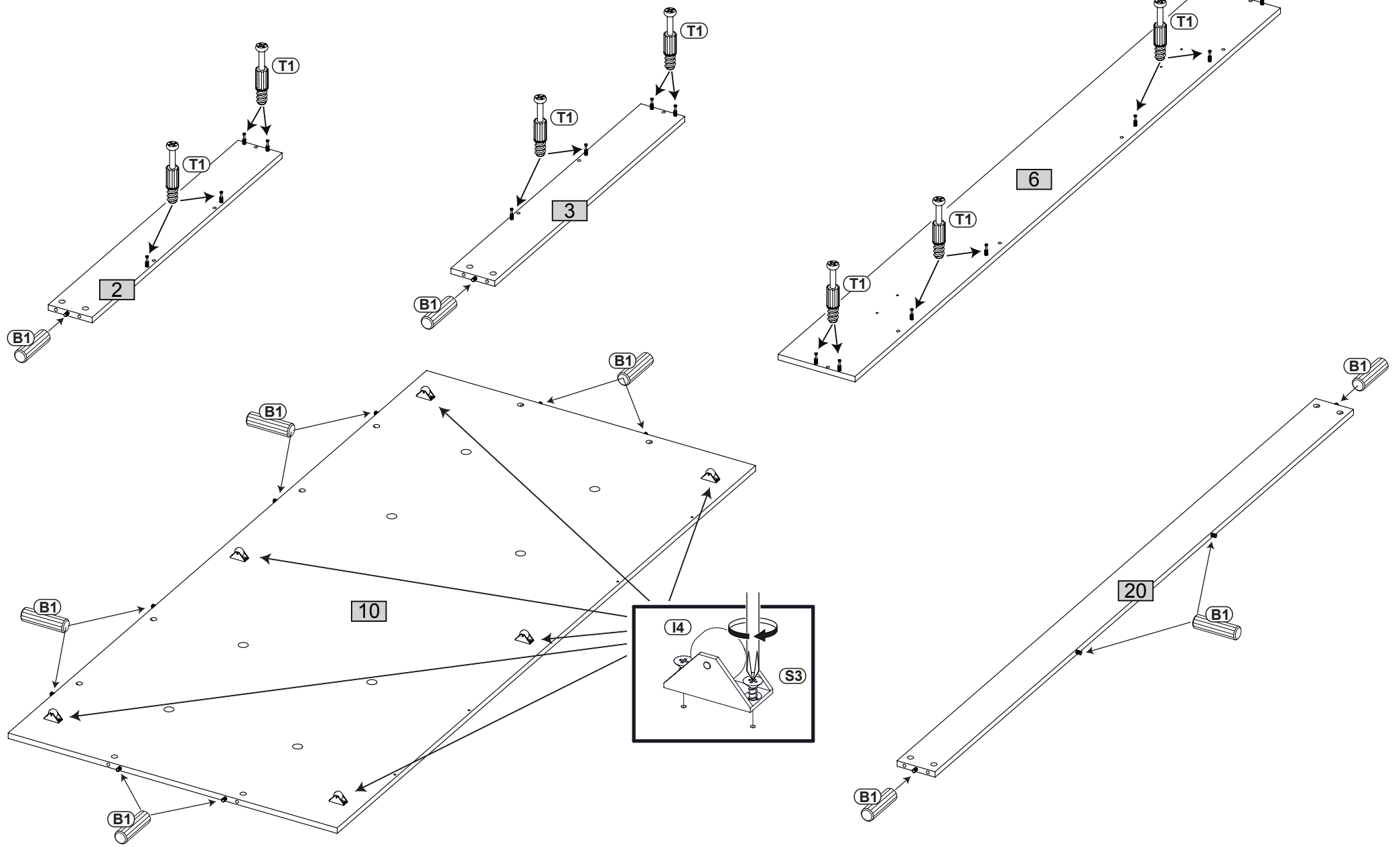
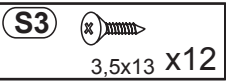
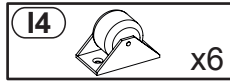
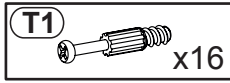
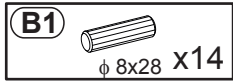
## 4



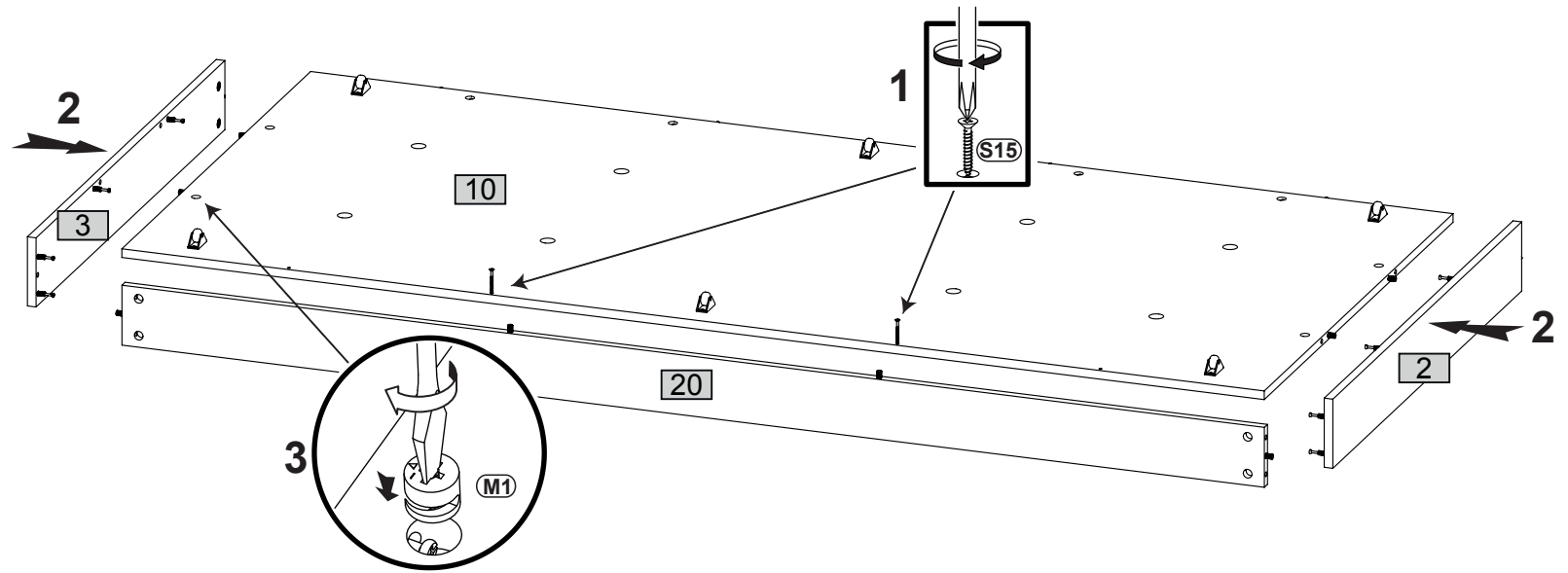
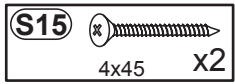
## x3



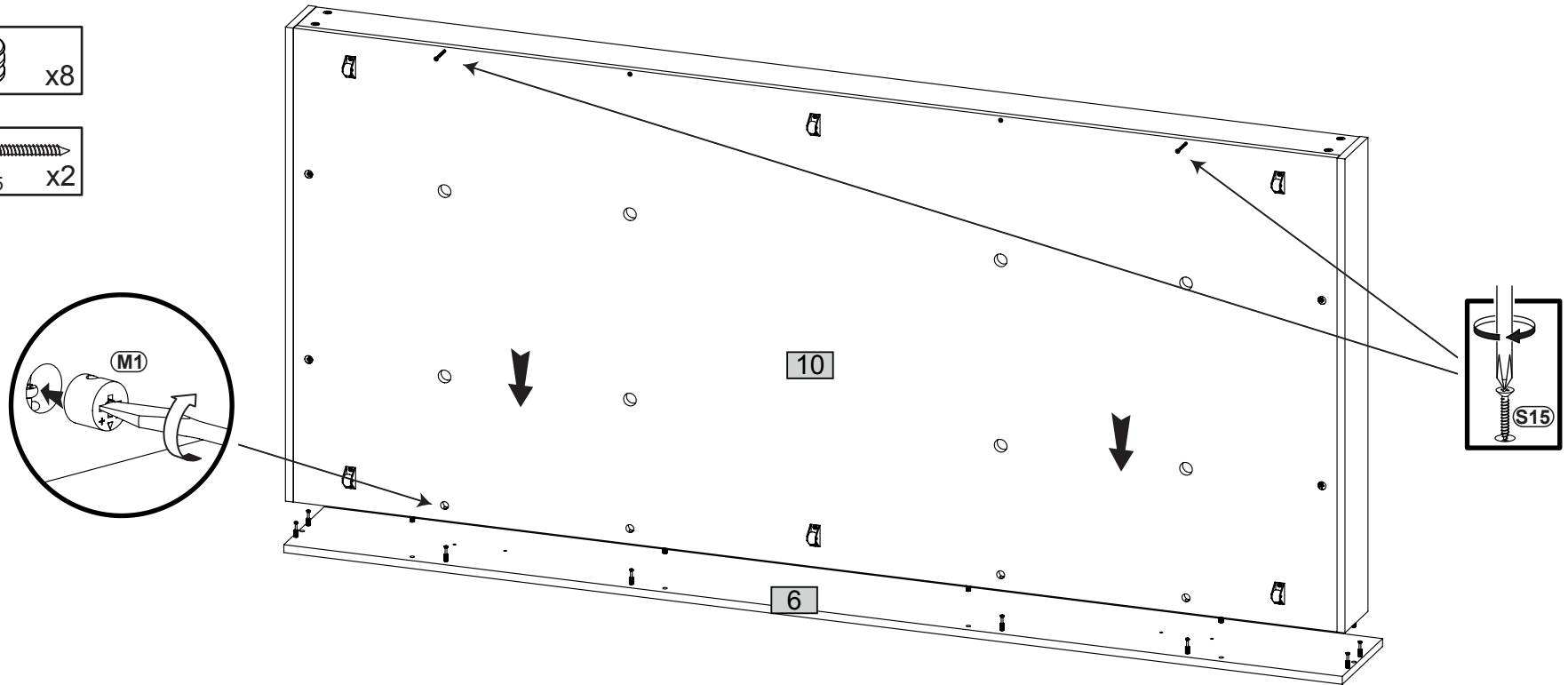
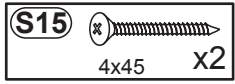
## 5



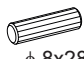
6





7





# 8

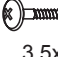
**B1**   $\phi$  8x28 x20

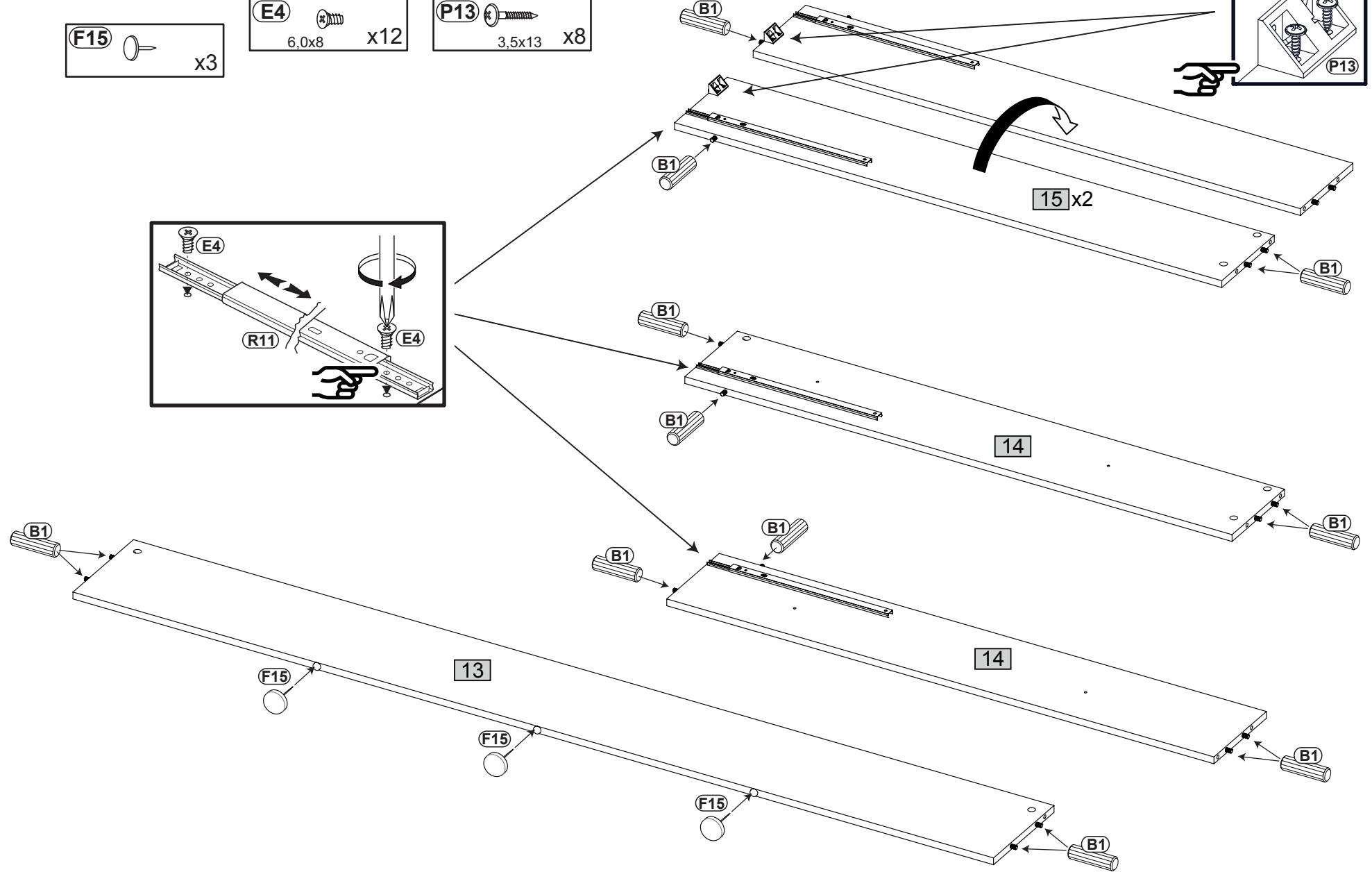
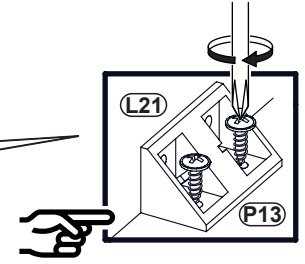
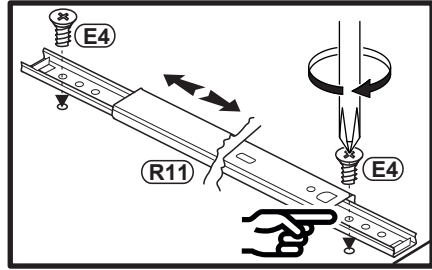
**R11**  350 x6

**L21**  x4

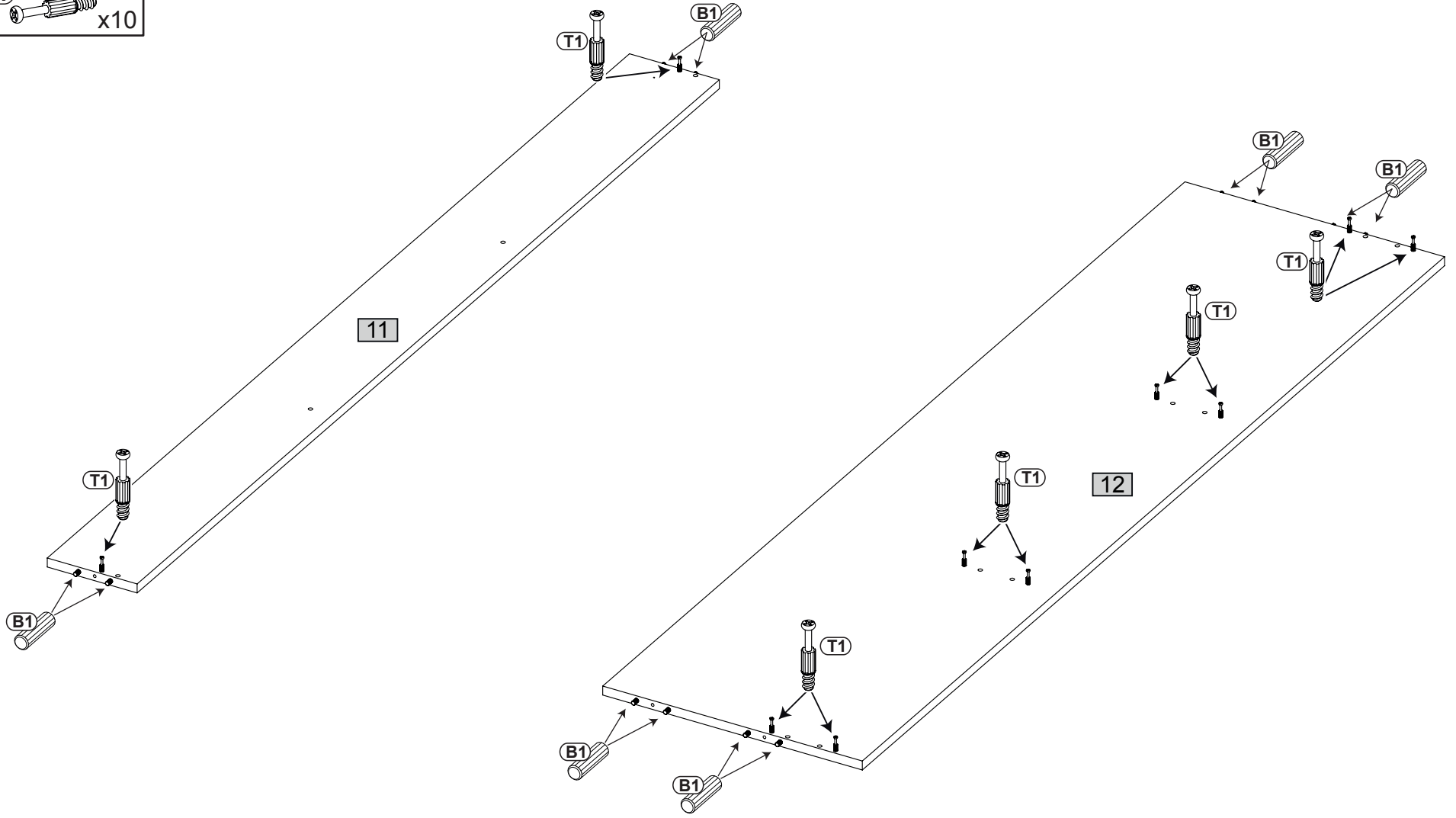
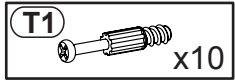
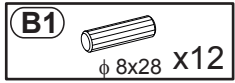
**F15**  x3

**E4**  6,0x8 x12

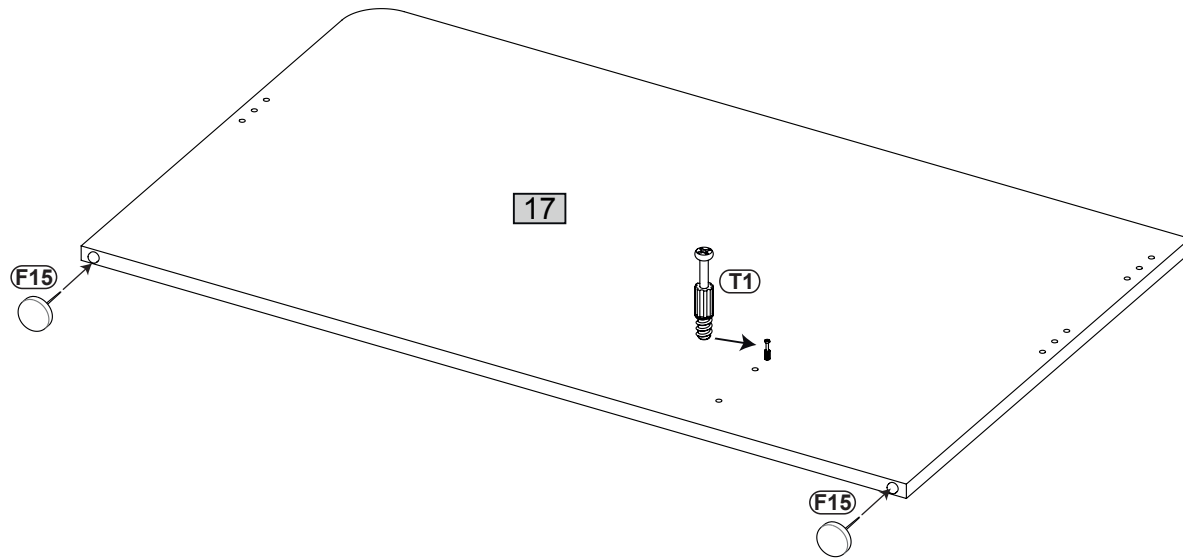
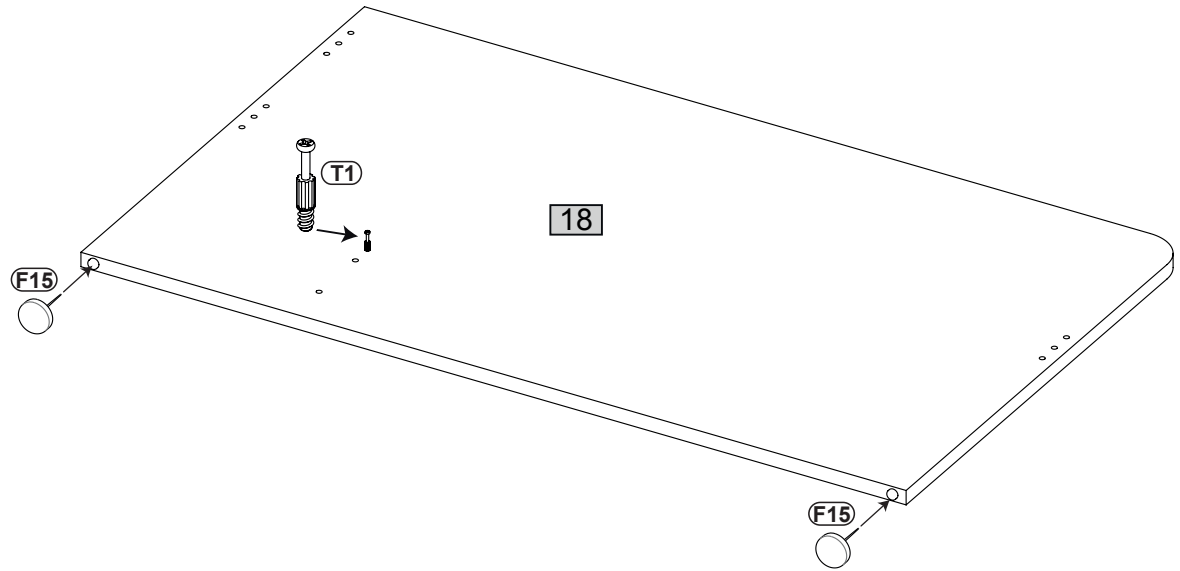
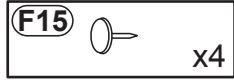
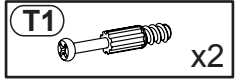
**P13**  3,5x13 x8



9

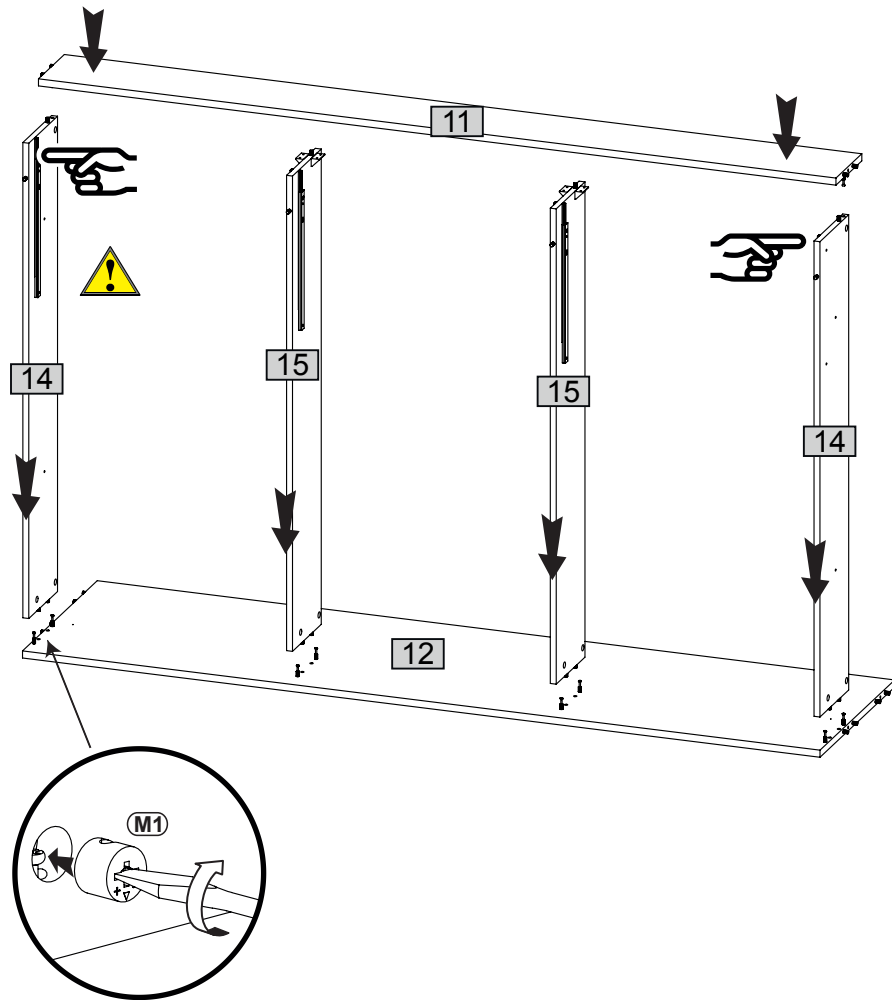




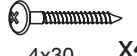
10

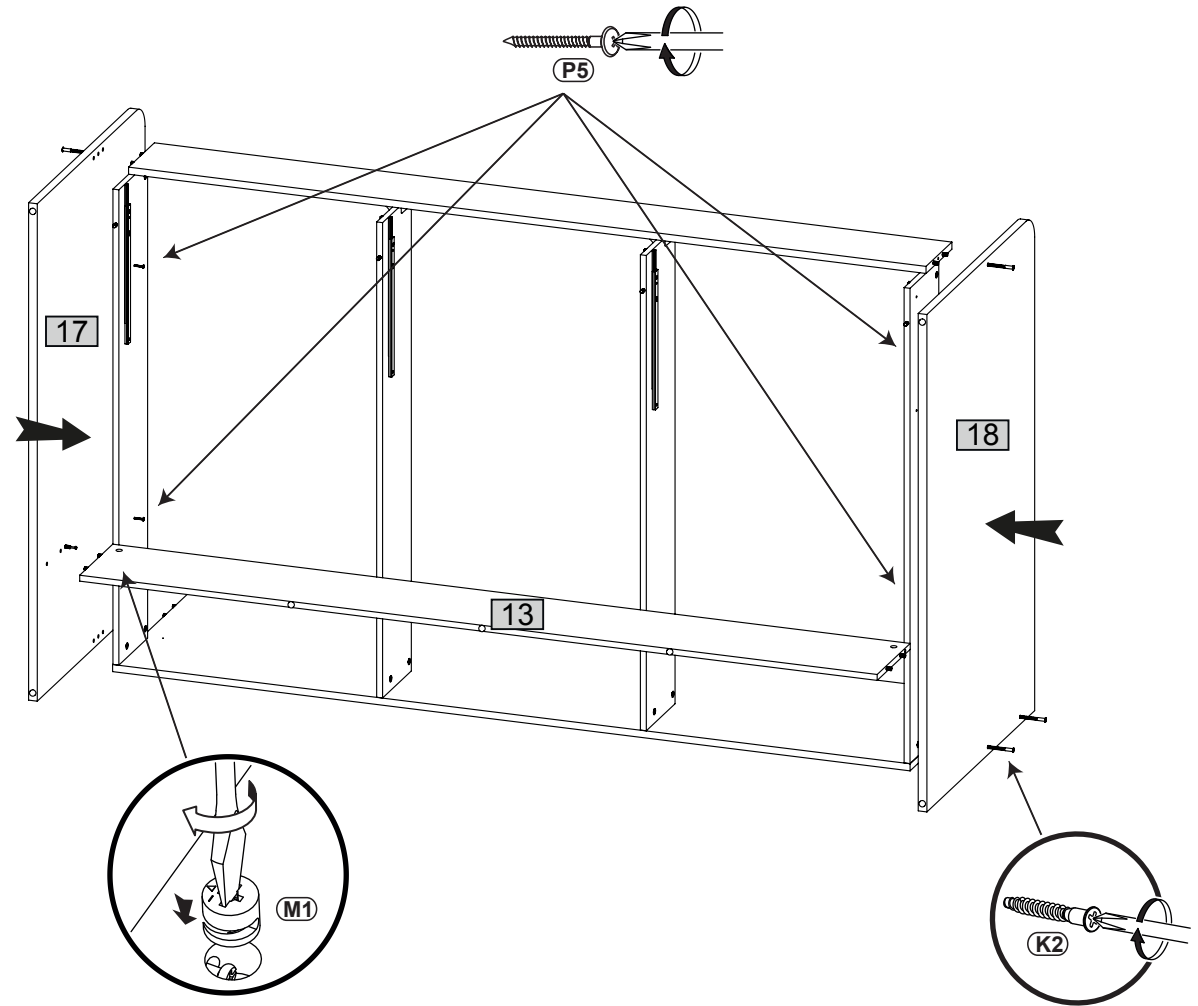




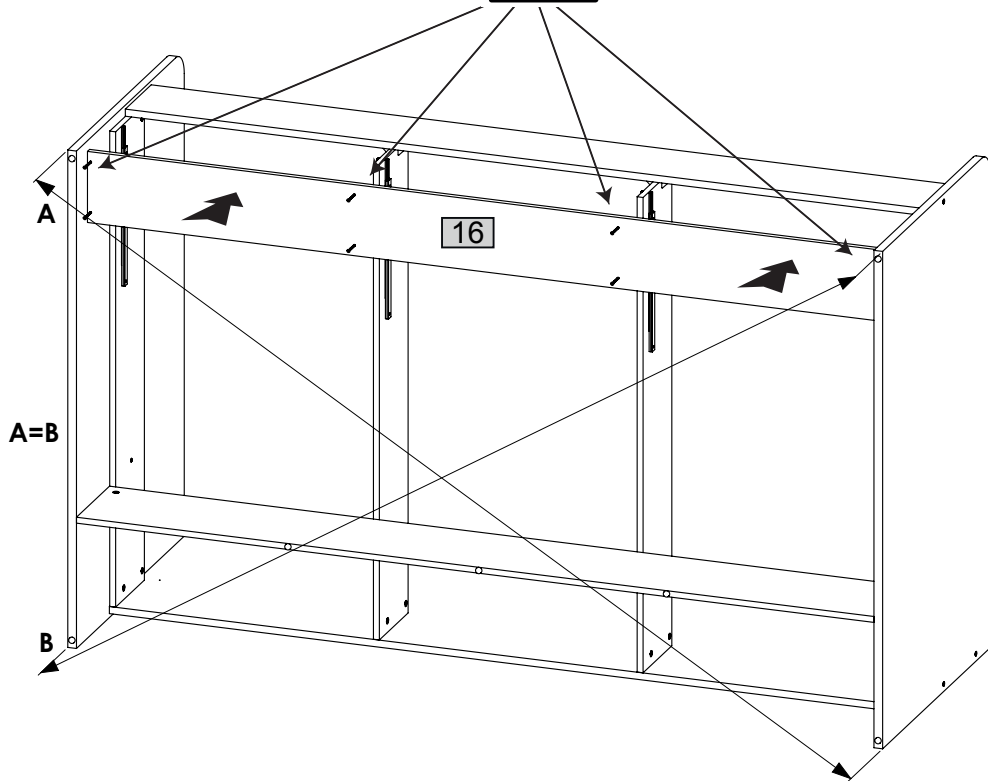
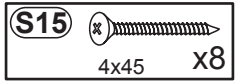
11 **M1**  x10



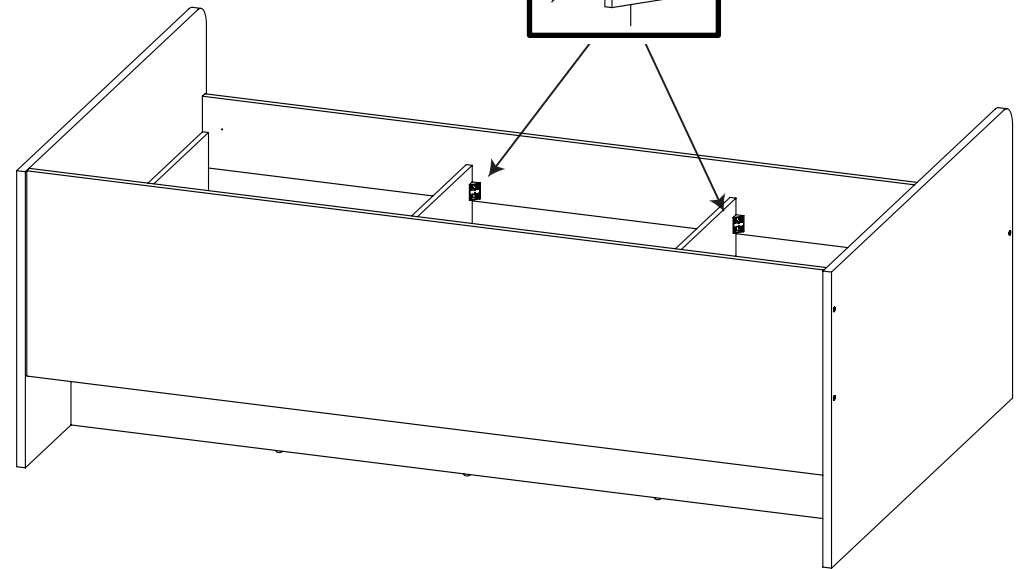
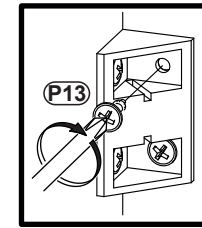
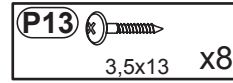
12 **M1**  x2 **K2**  7x70 x6 **P5**  4x30 x4



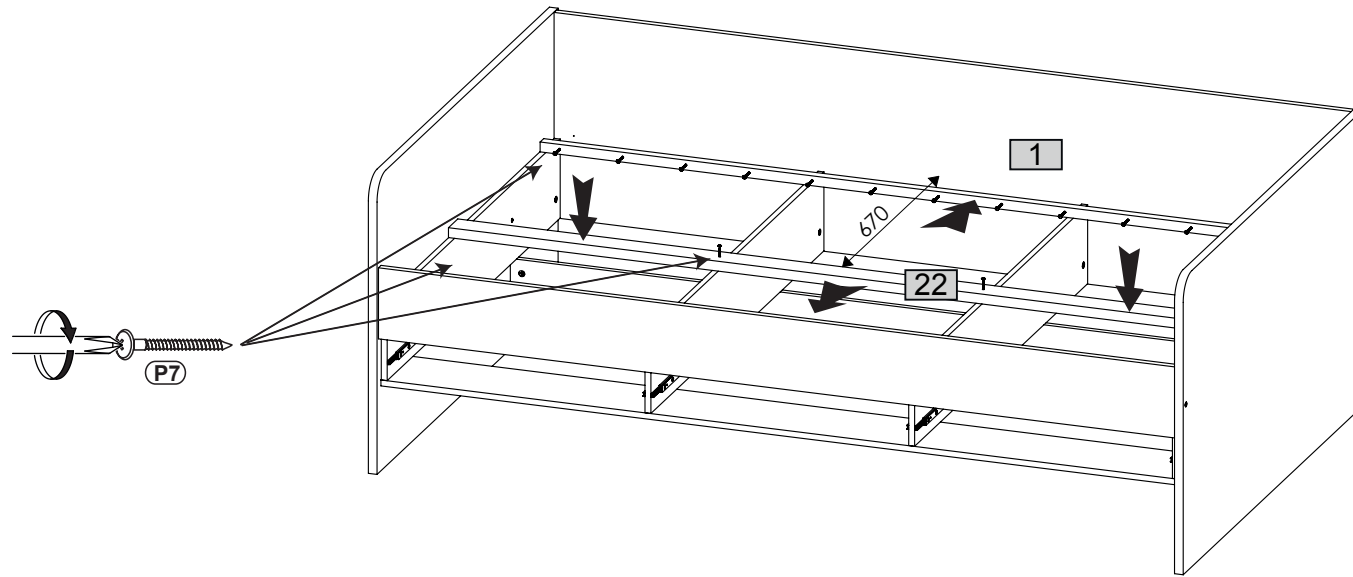
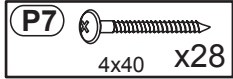
13



14



15



16

