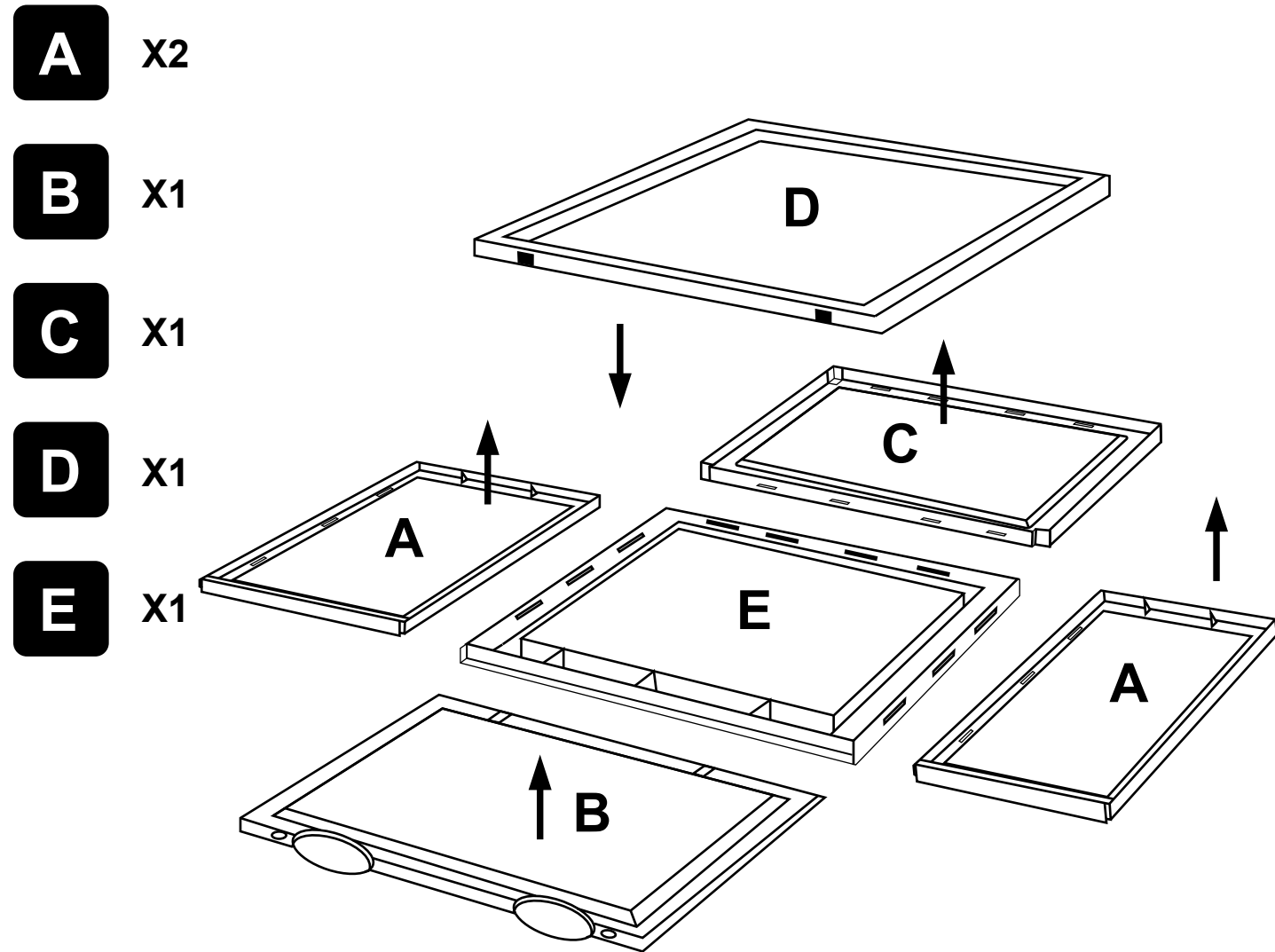


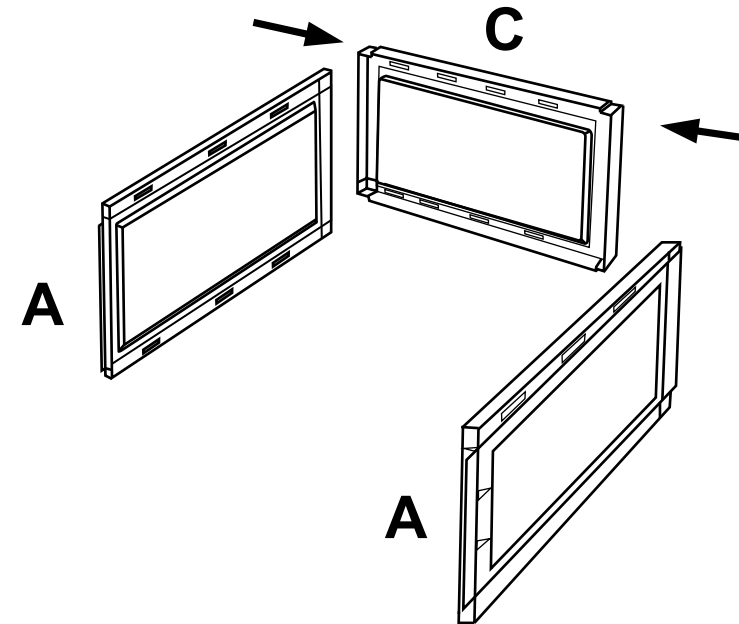
PUCHKA

Instruction manual

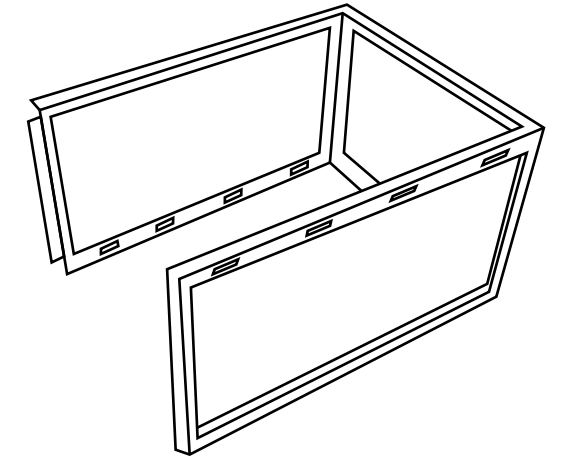
Product parts



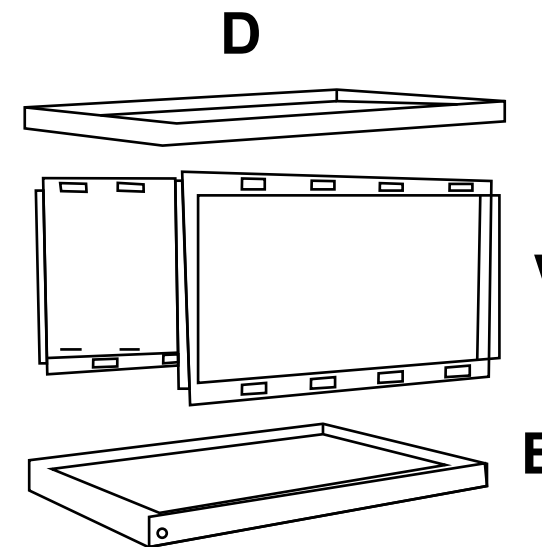
Installation steps



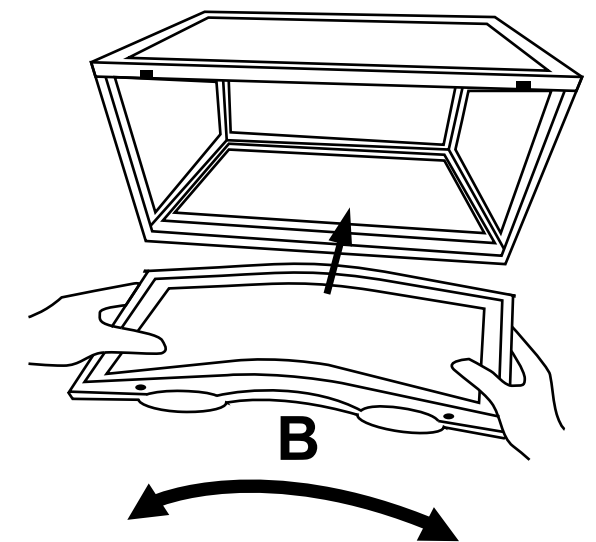
01 Three side combinations



02 Side combination Completion



03 Combine top plate D, side and bottom plate E, align the hole position, press down



04 Bend panel B slightly, combine with the box, and assembly complete