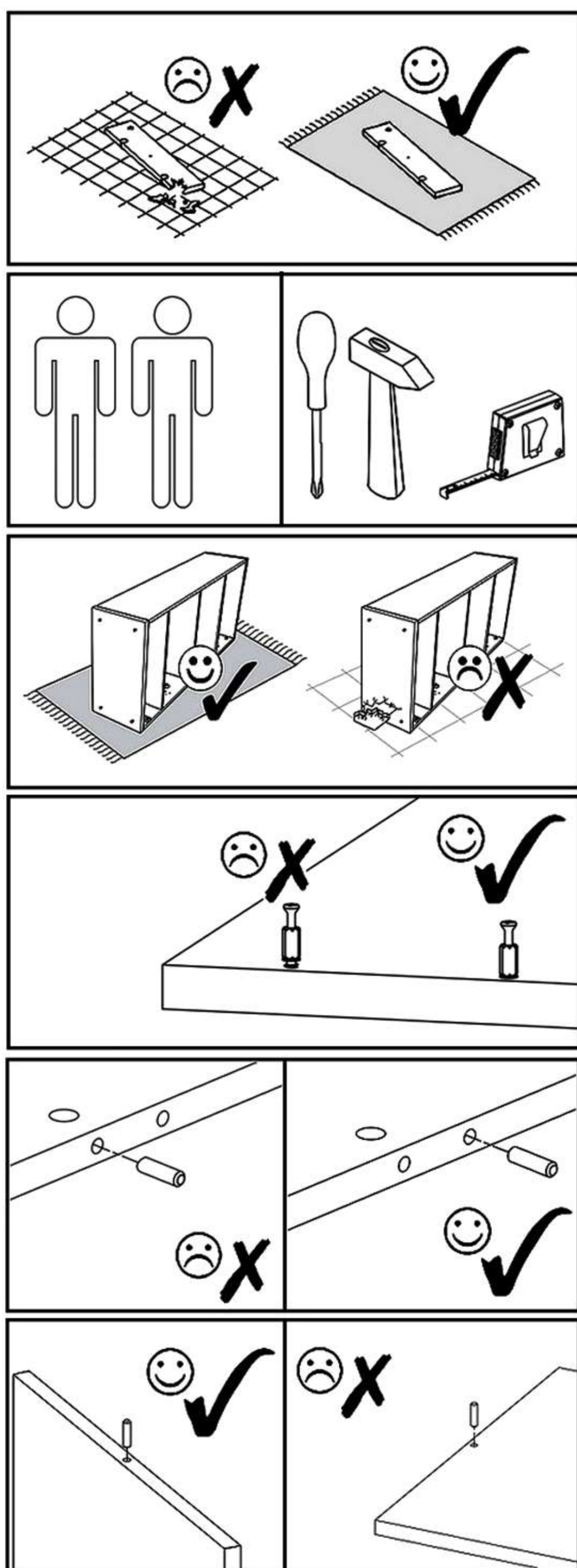
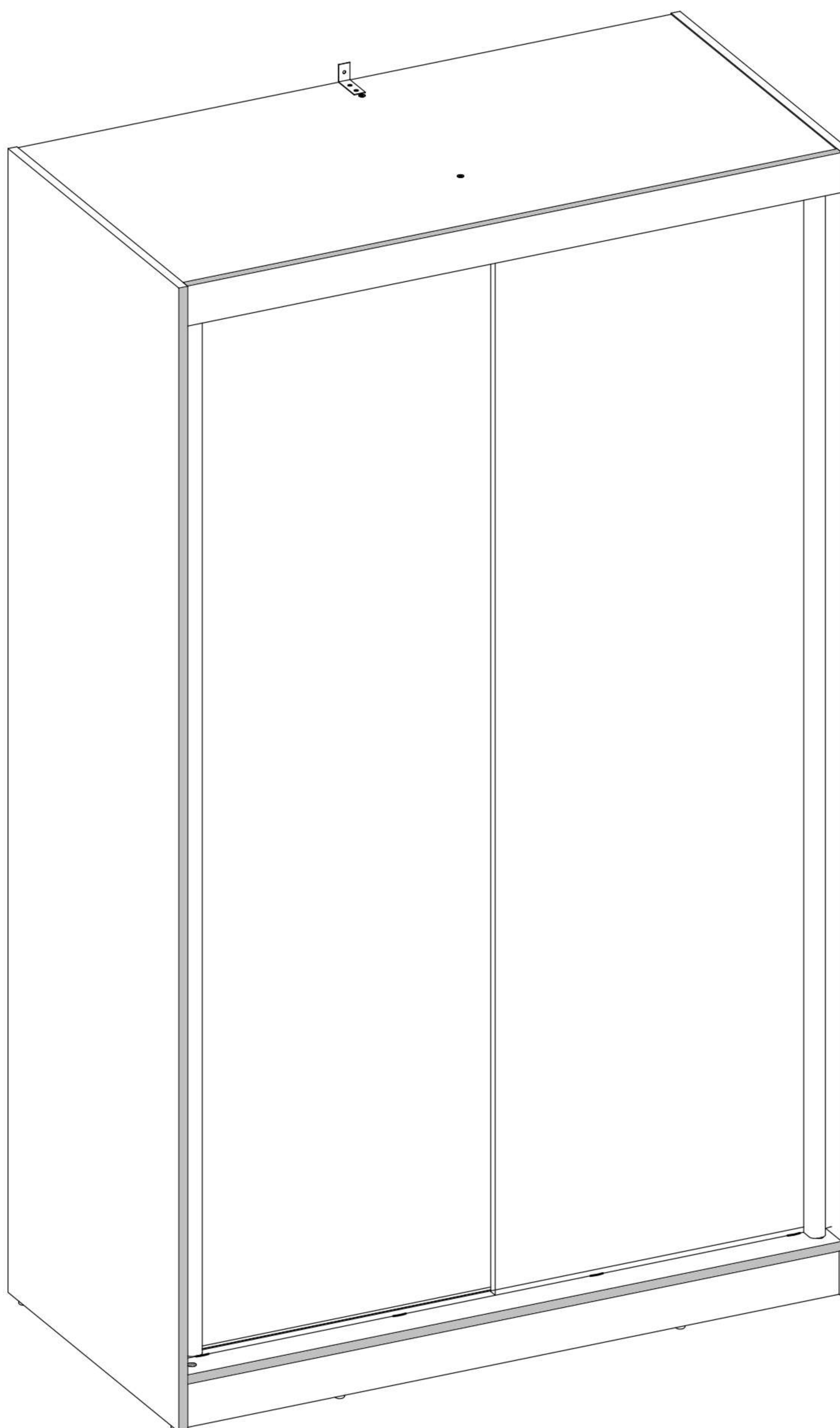
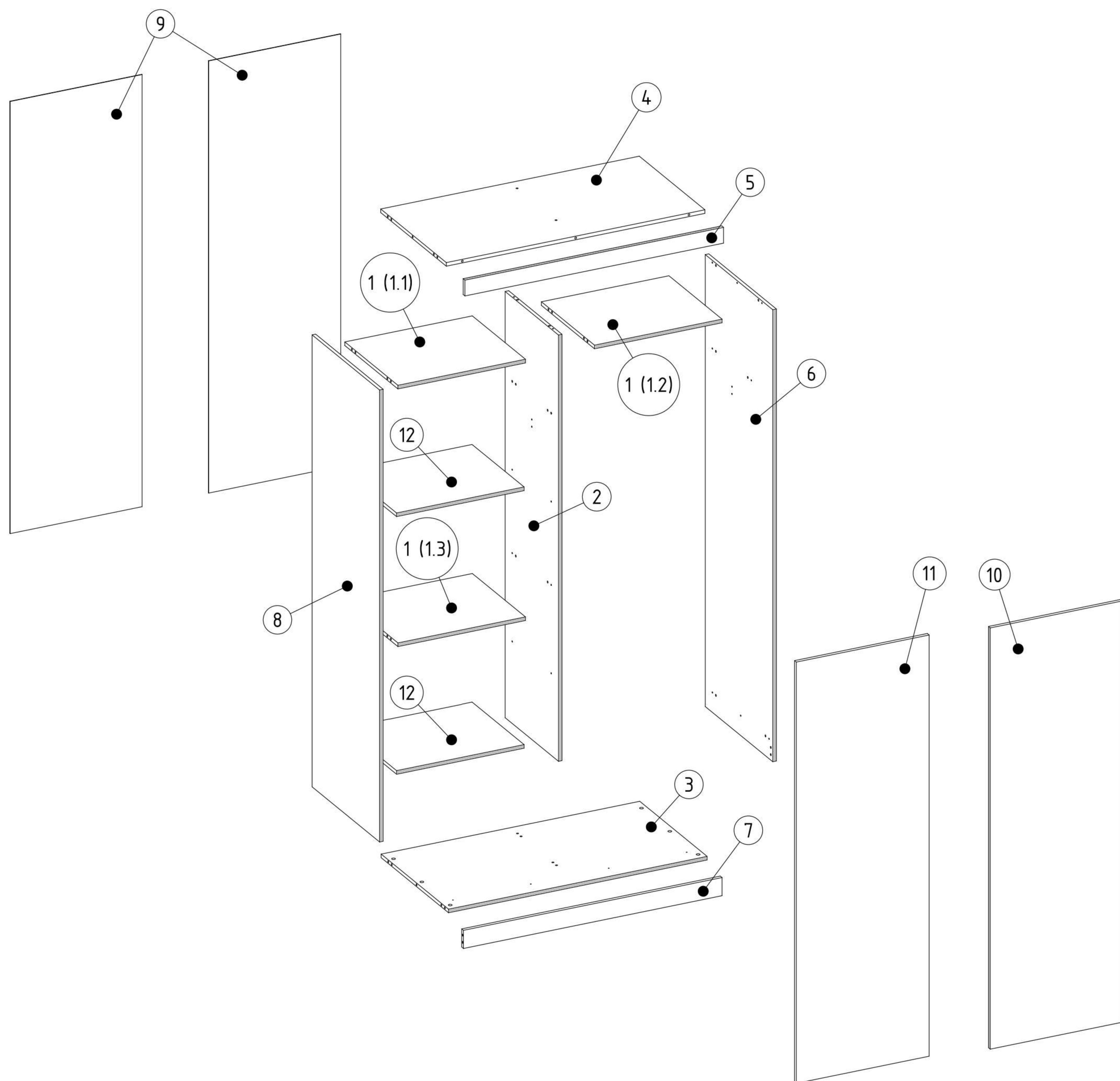


17/06/2022

IGA 120


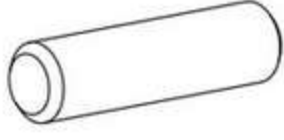
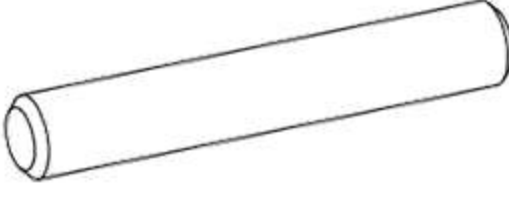


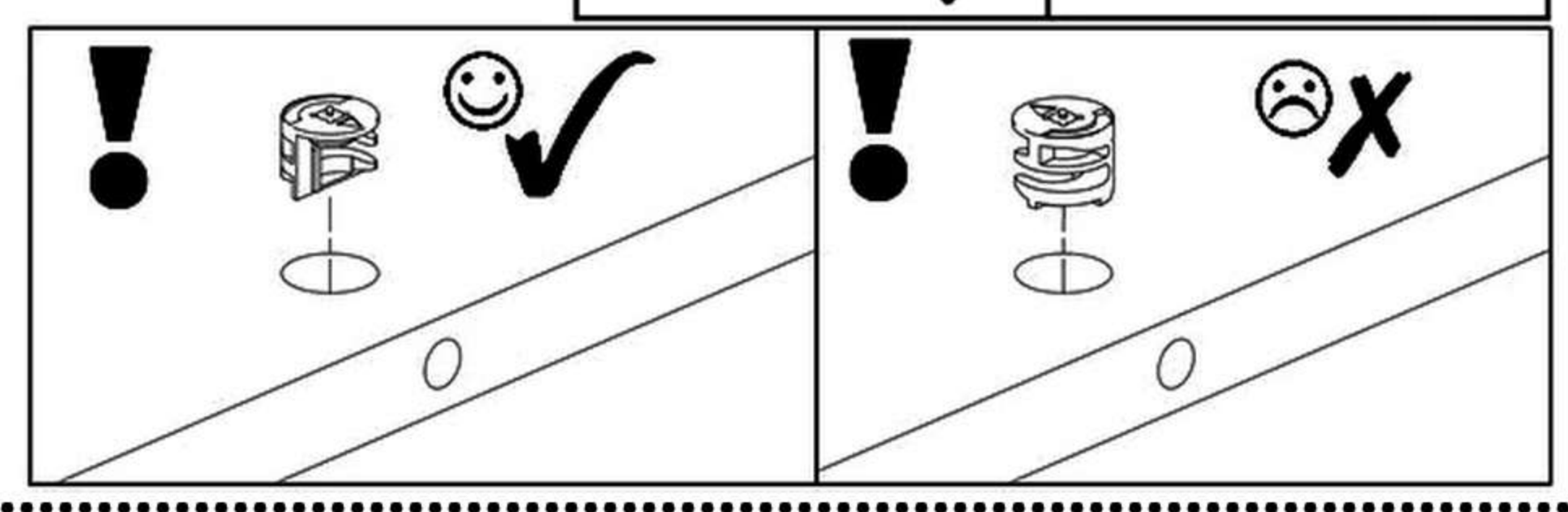
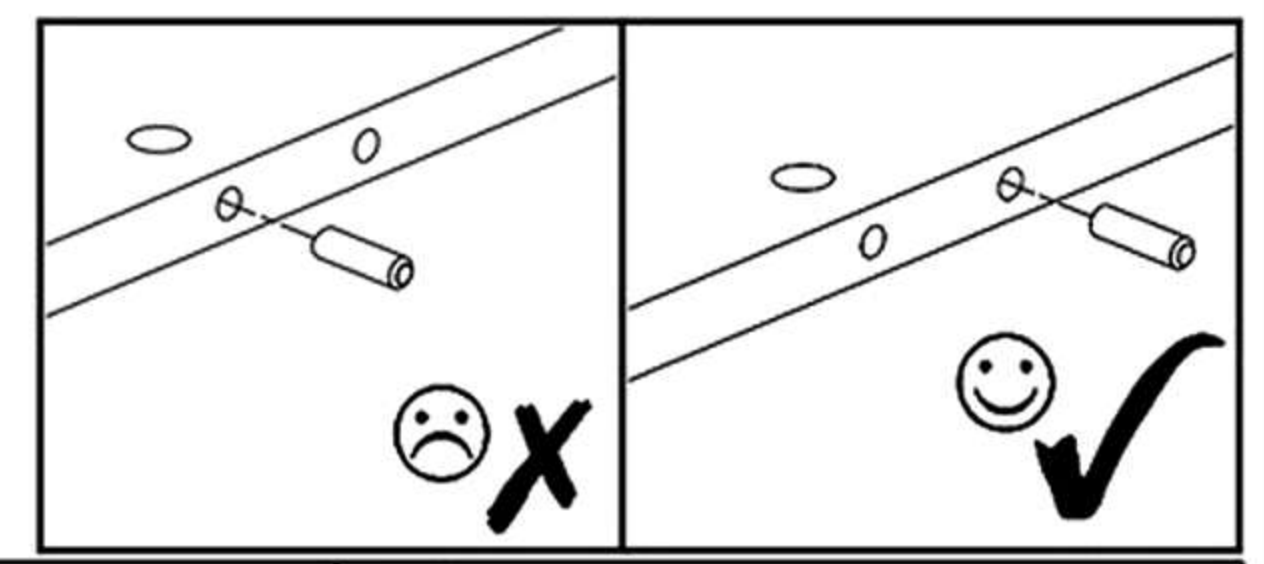
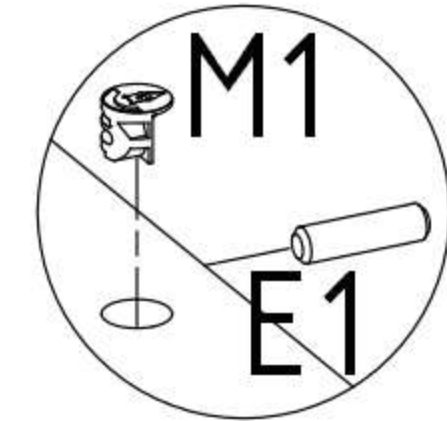
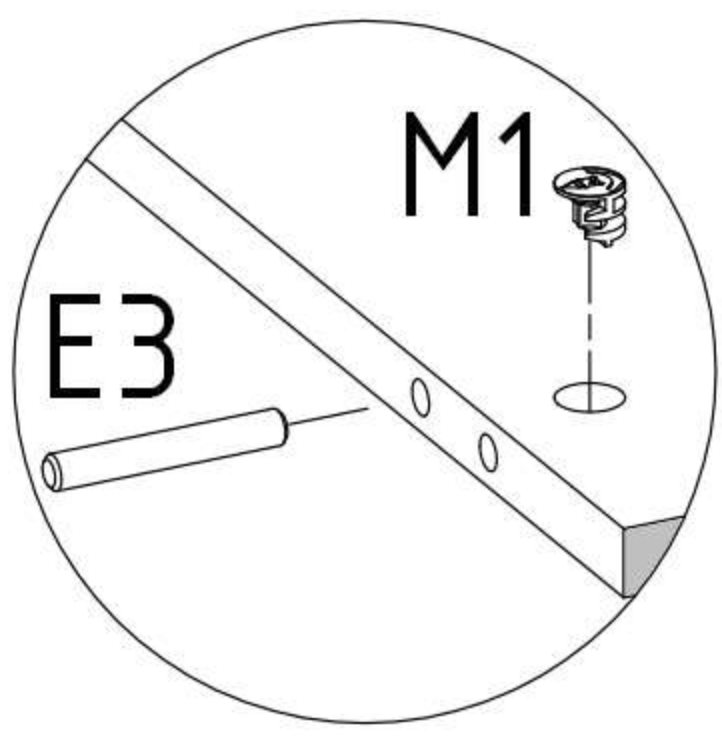
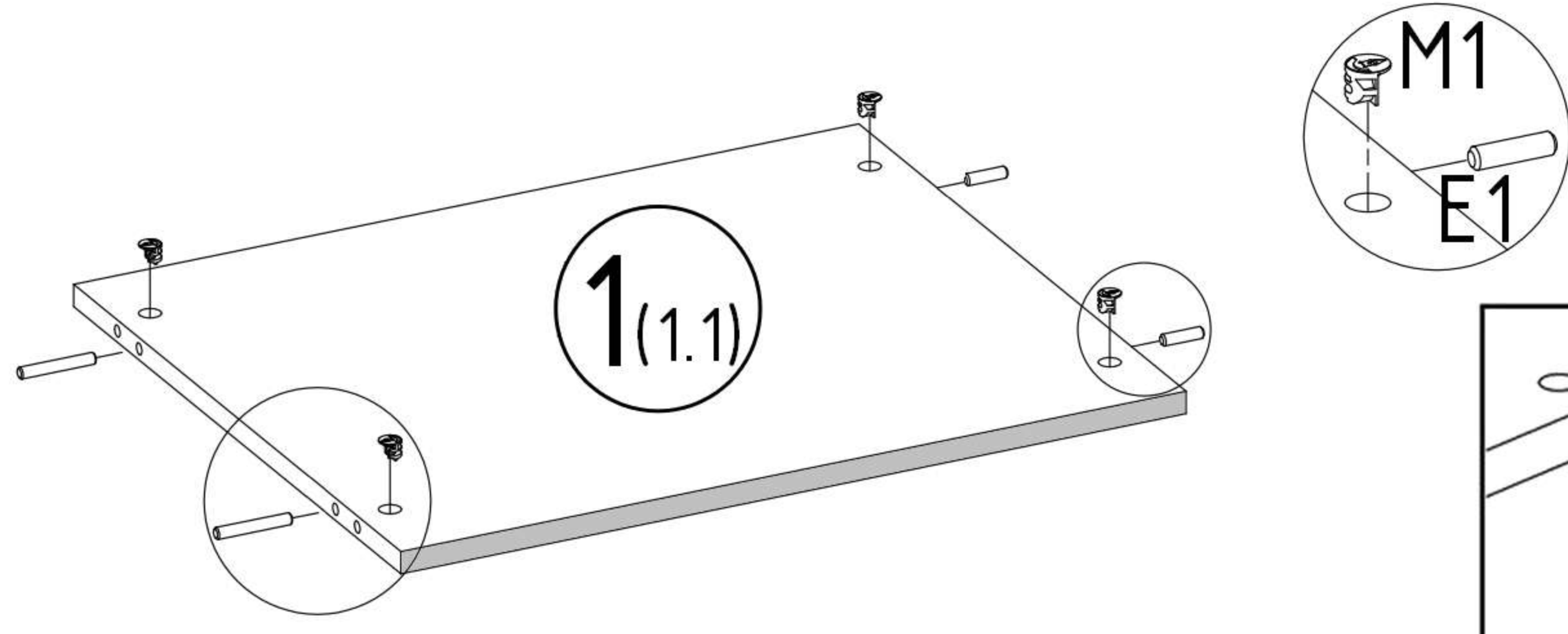
A7 x4	A8 x4	U7 L=1862mm x2	K12 L=1164mm x2	K11 x8	U5 L=565mm x1	
K9 x1	K4 x16	L2 L=568mm x4	S6 2,5x20 x16	K1 x1	V7 x2	T4 x1
N1 L=35mm x23	M1 12x15mm x27	M2 ø16mm B,S-A x10	S1 3,5x16mm x20	E1 8x30mm x24	E3 8x50mm x2	K10 x2
Z1 x150	F1 7x50mm x4	K7 5x16mm x8	F3 x1	S10 4x15 mm x24	N4 L=62mm x2	T1 x6


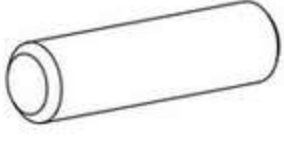


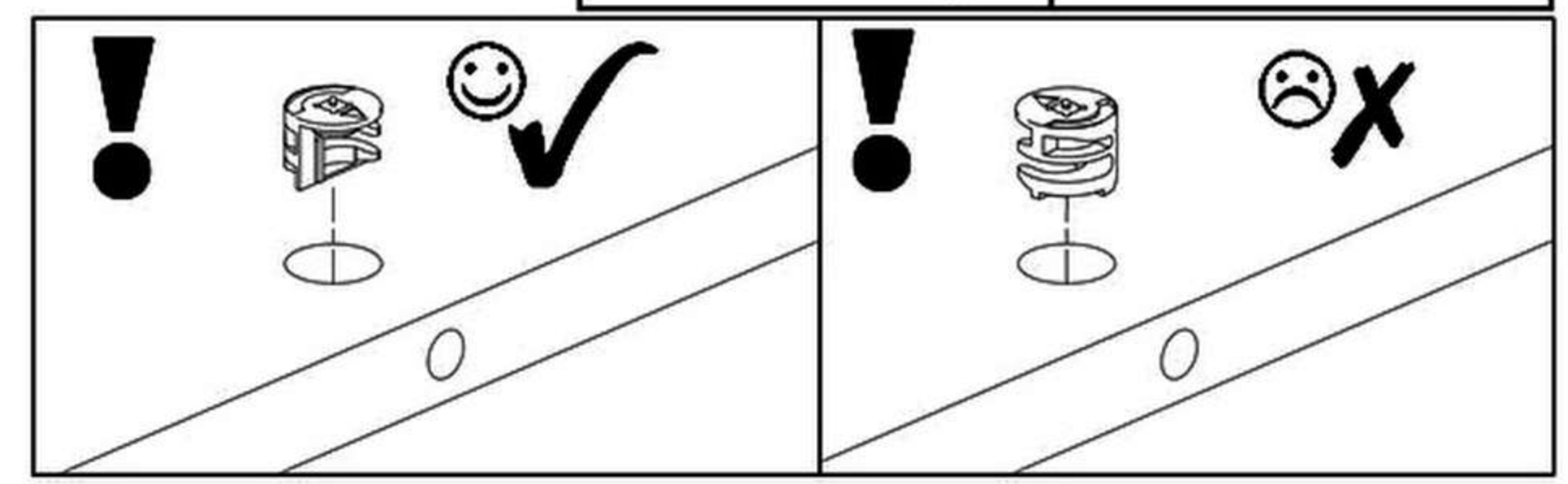
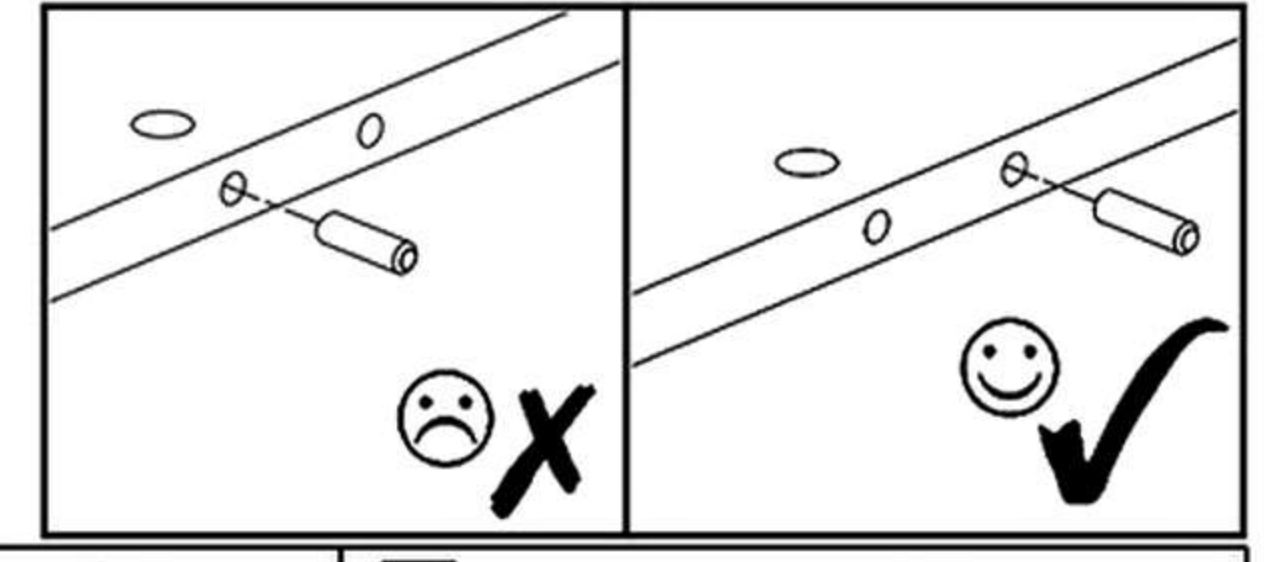
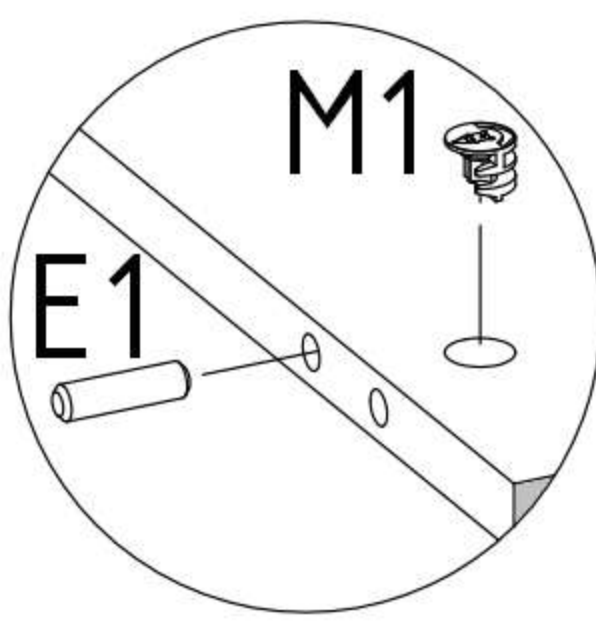
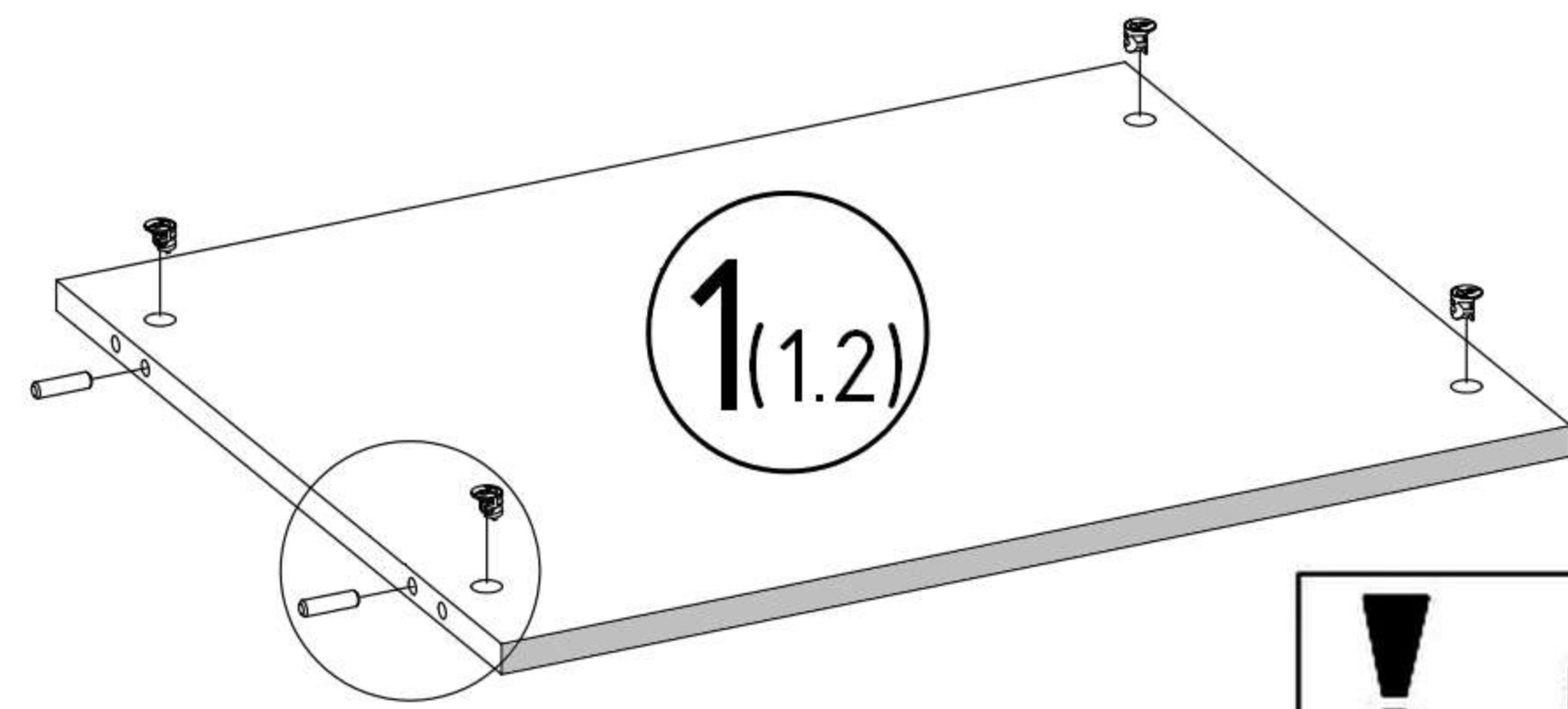
1	x	3
2	x	1
3	x	1
4	x	1
5	x	1
6	x	1

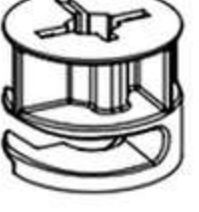

7	x	1
8	x	1
9	x	2
10	x	1
11	x	1
12	x	2

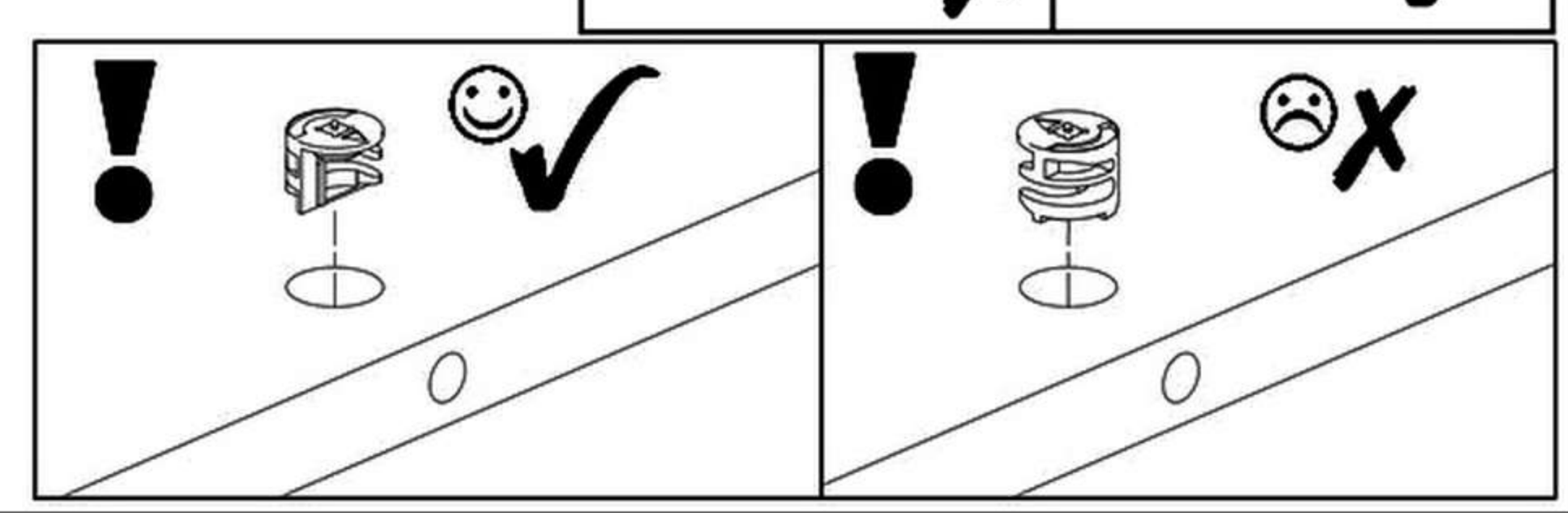
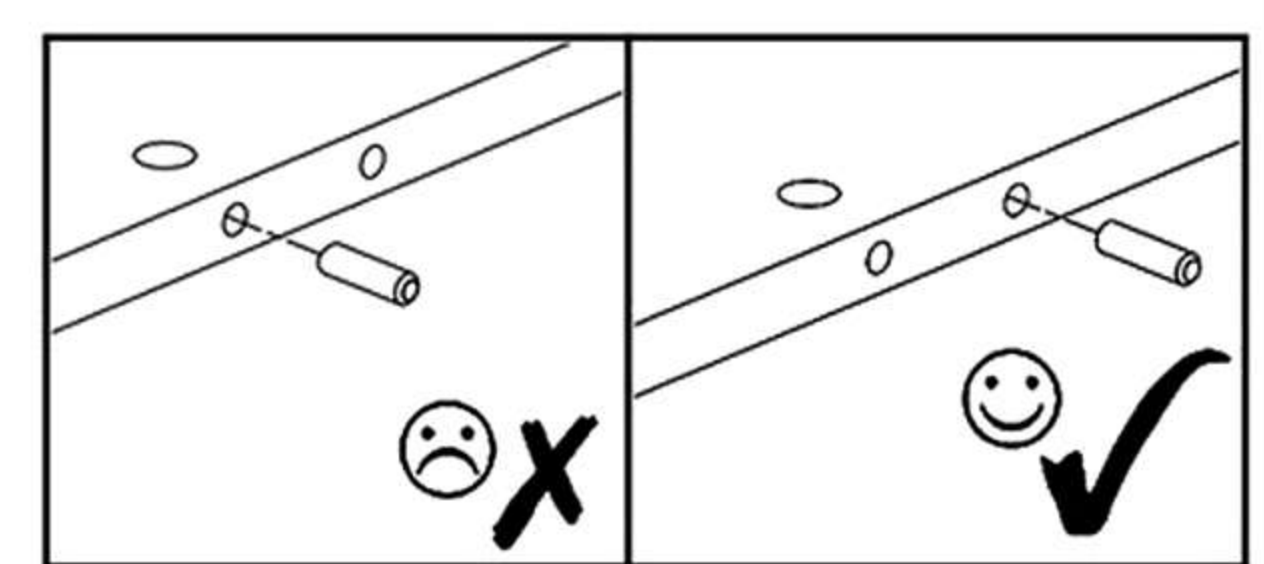
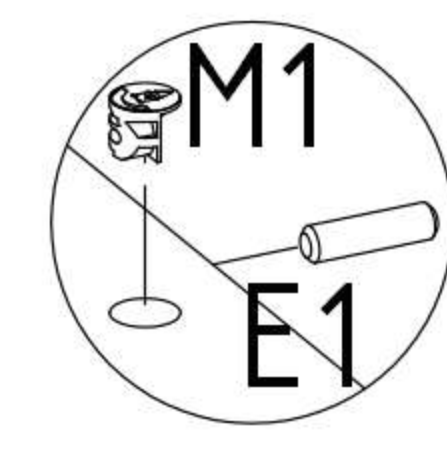
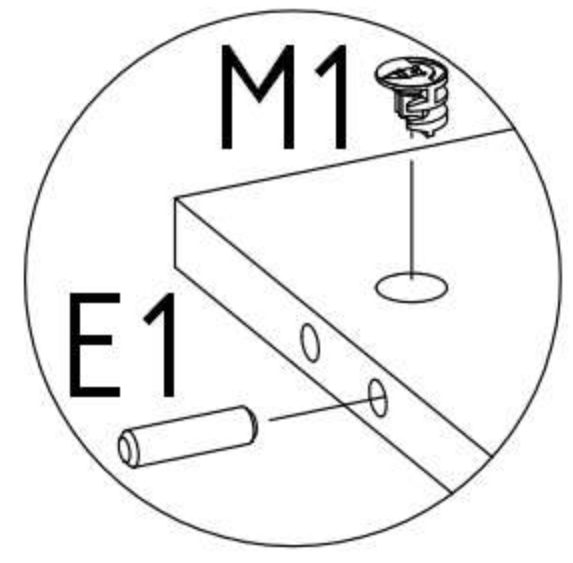
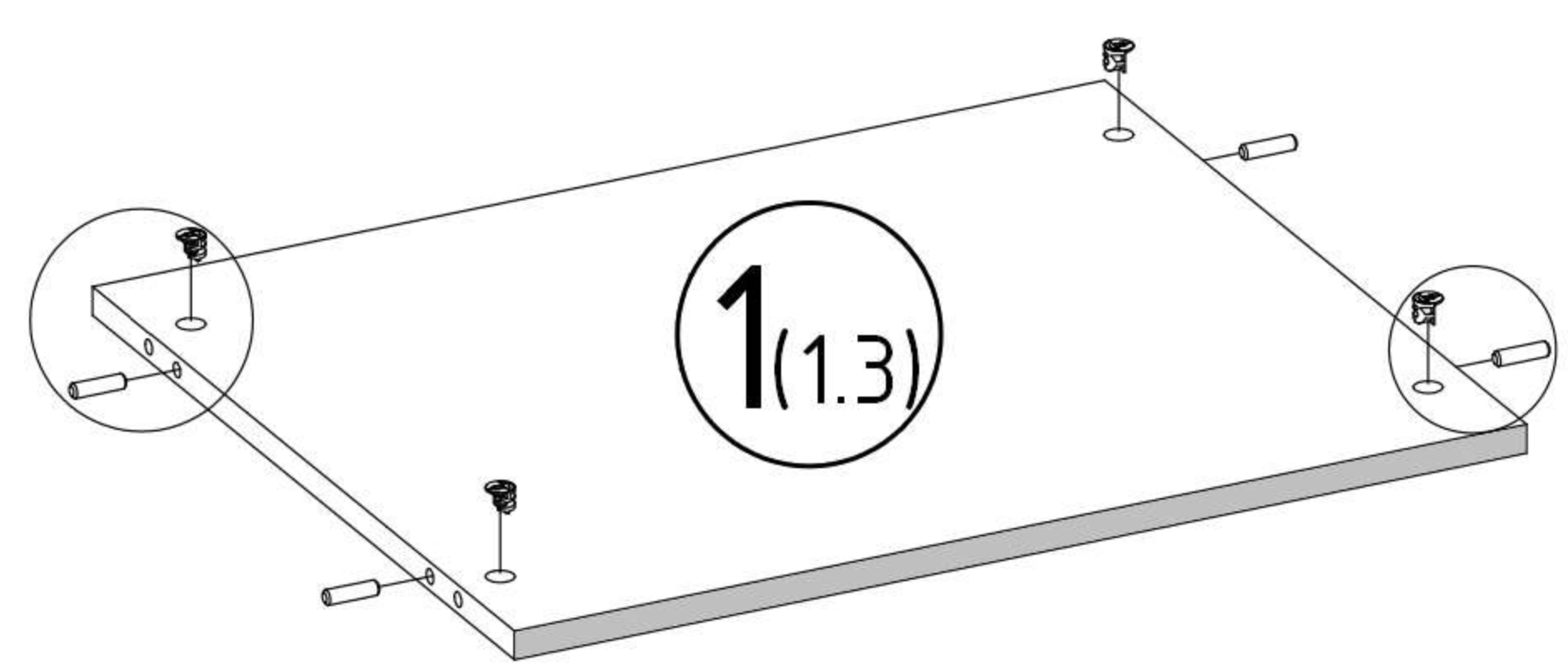
M1 	E1 	E3 
12x15mm x4	8x30mm x2	8x50mm x2


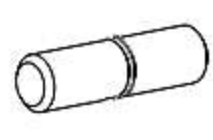
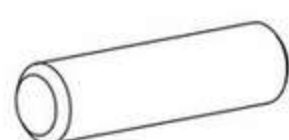


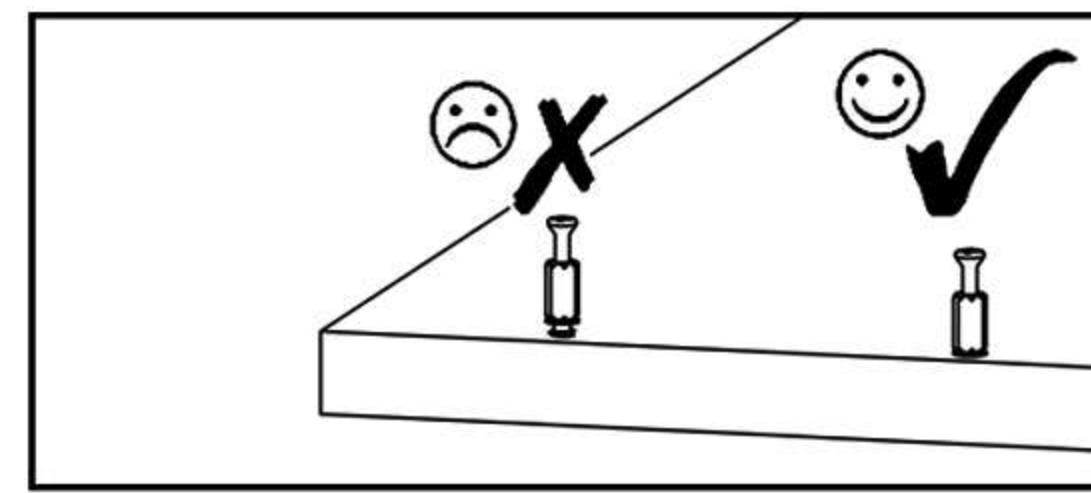
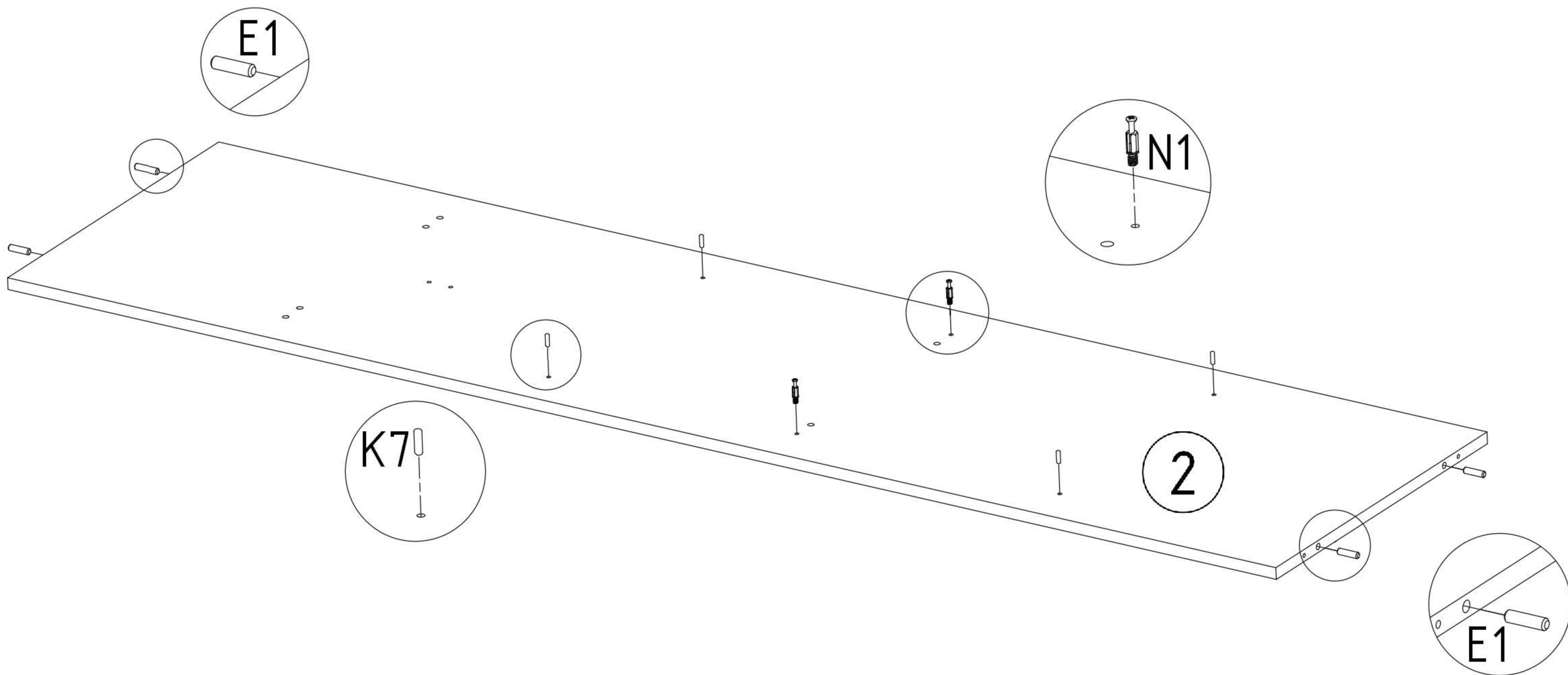
M1 	E1 
12x15mm x4	8x30mm x2





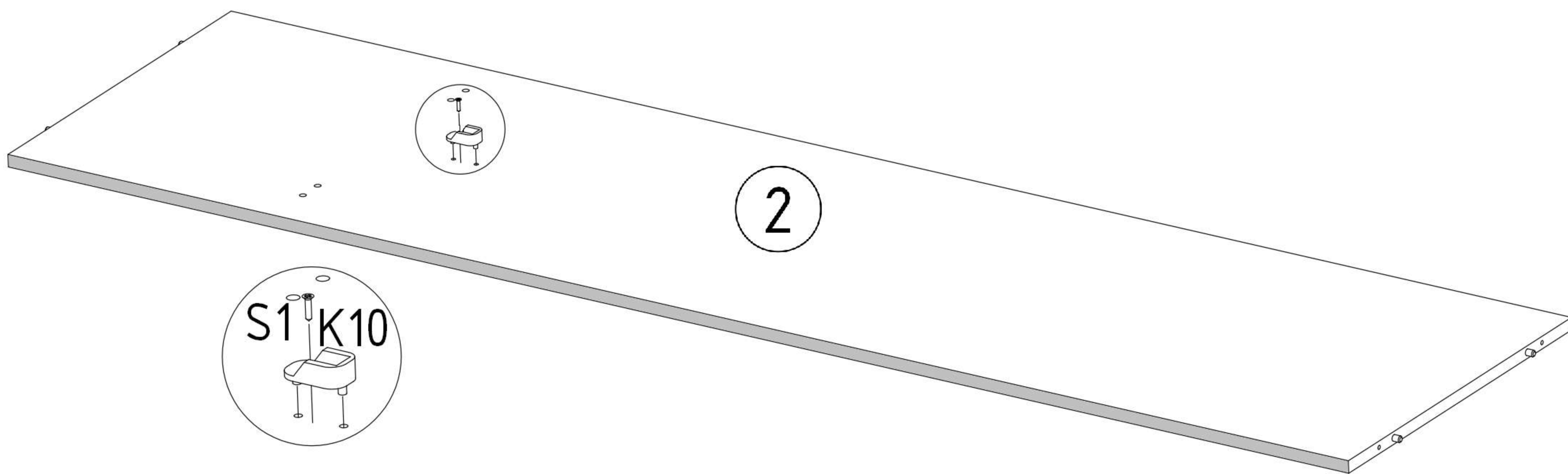
M1 	E1 
12x15mm x4	8x30mm x4

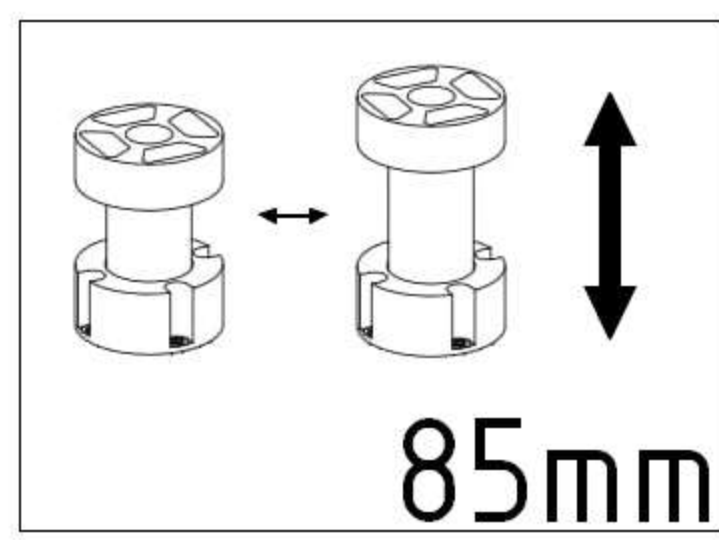
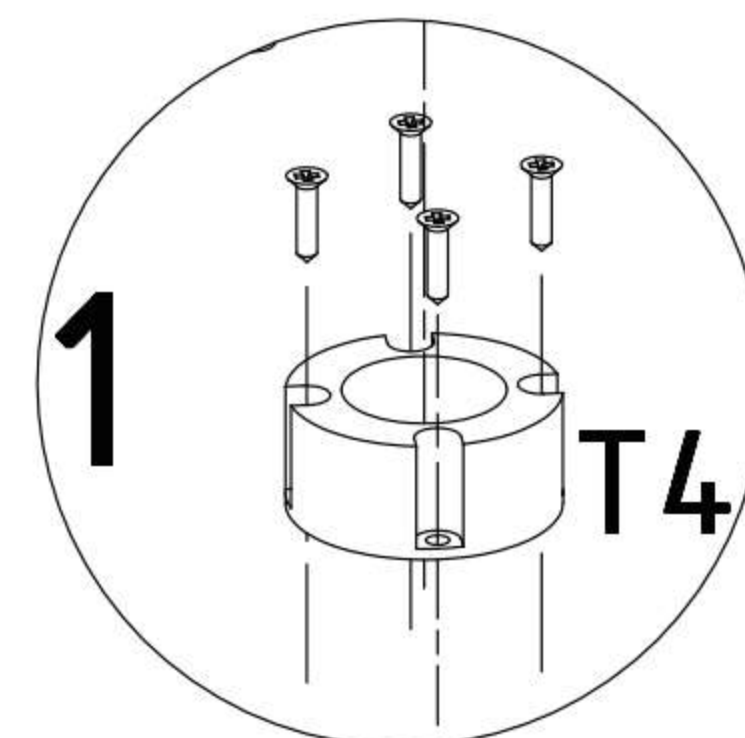
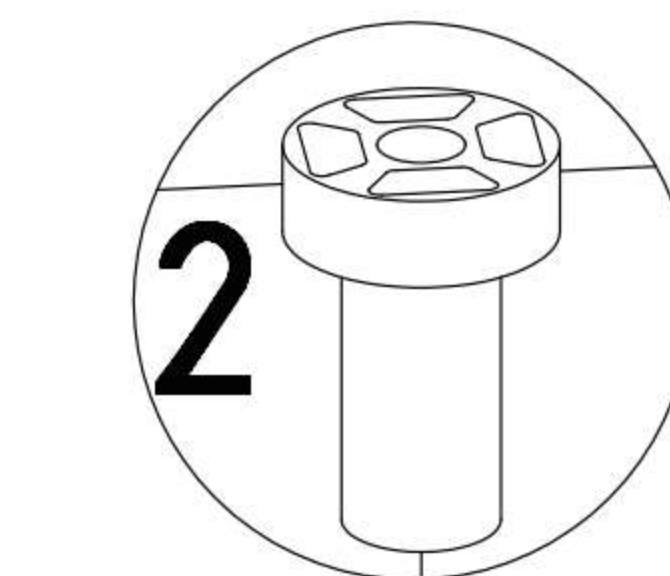
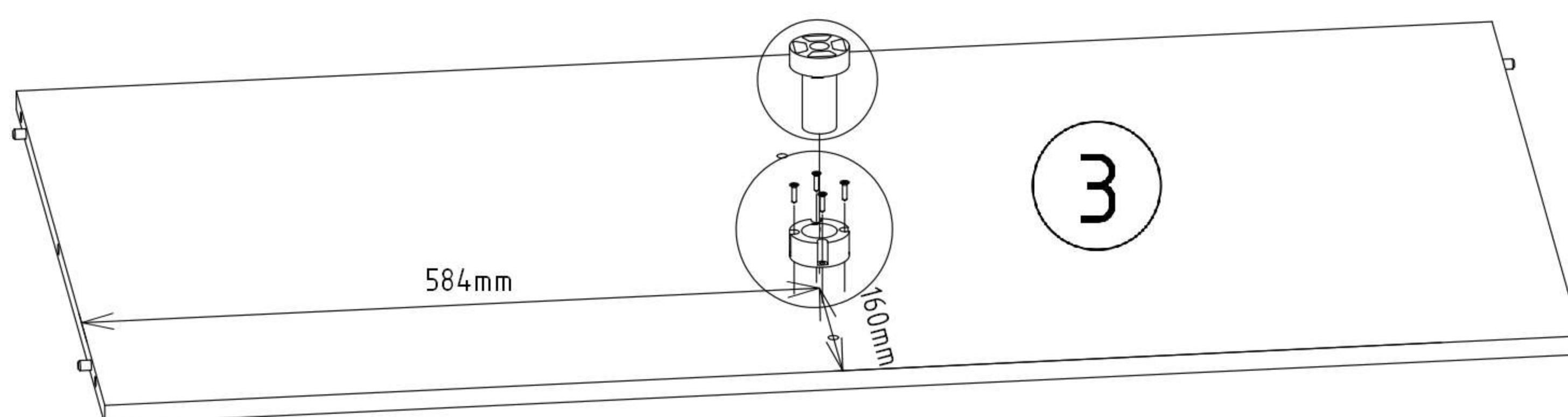
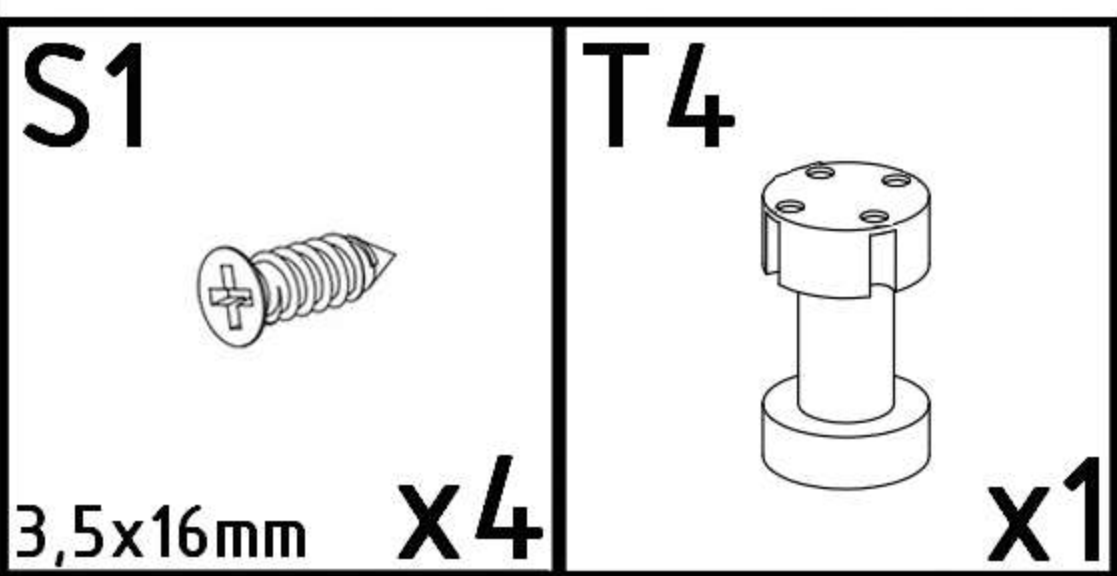
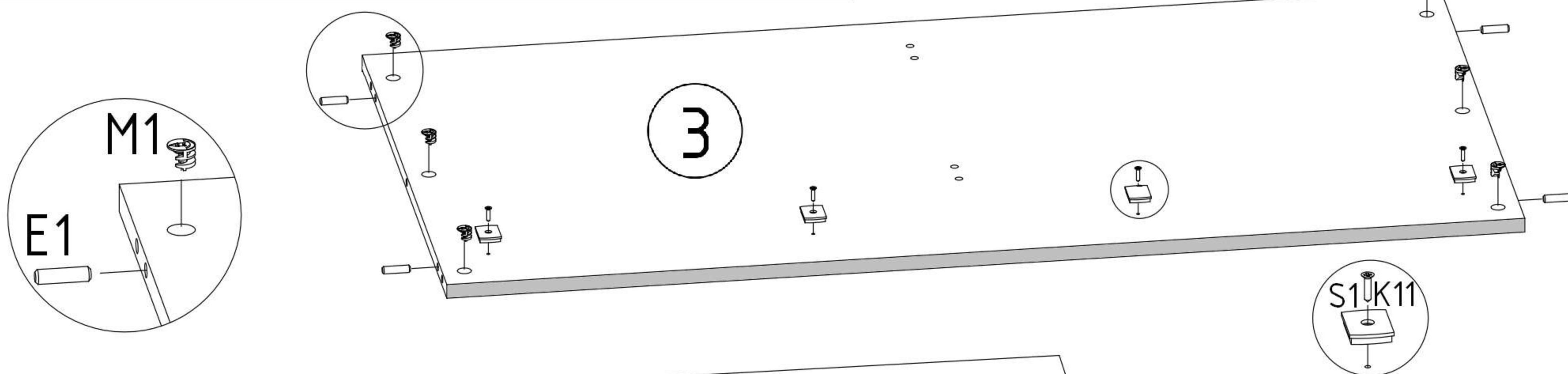
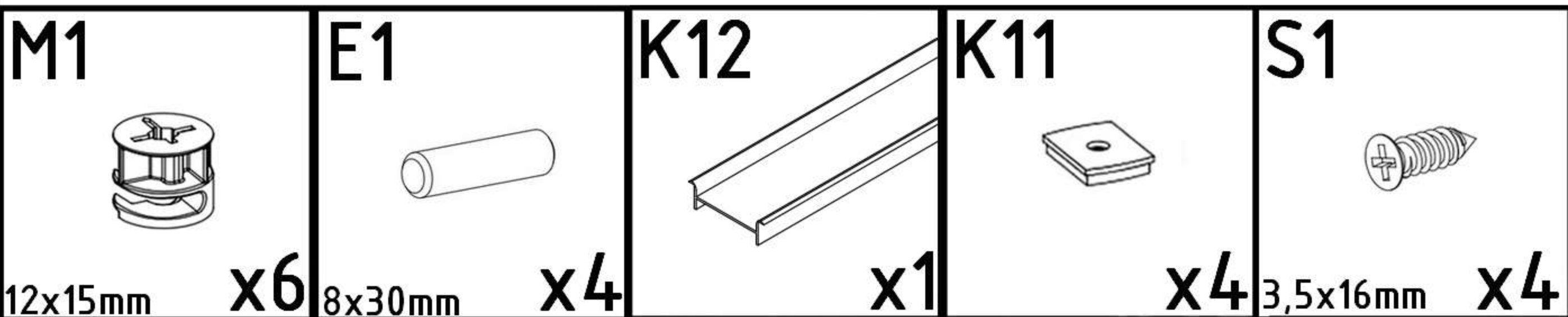
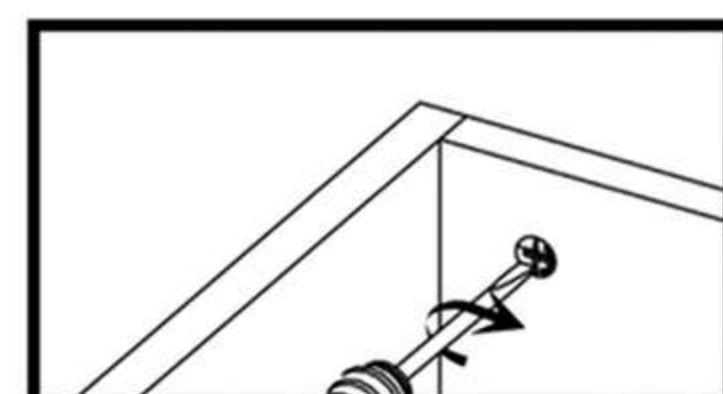
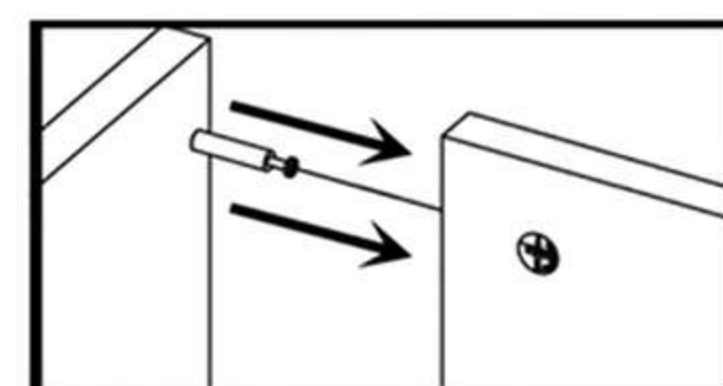
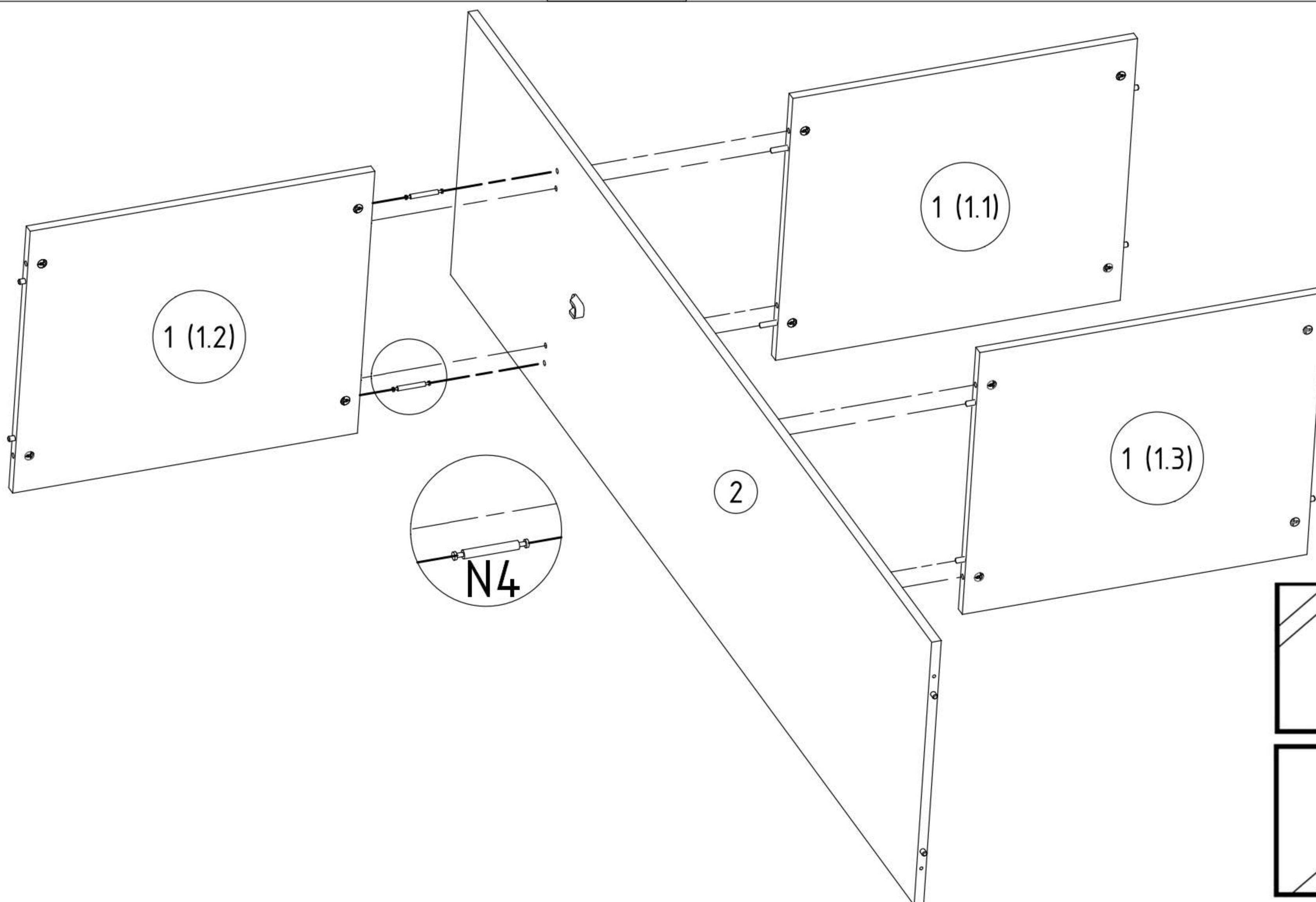
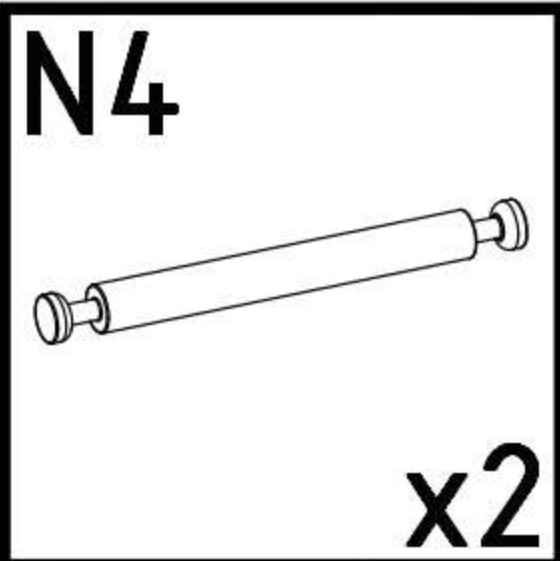


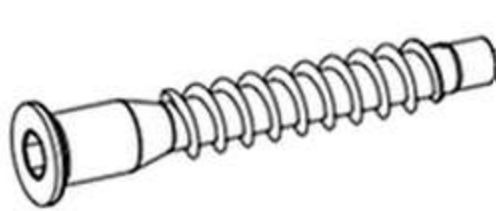
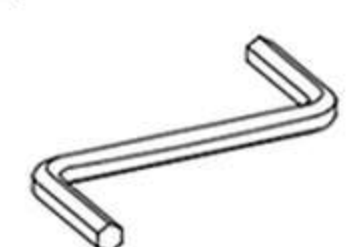
N1  L=35mm x2	K7  5x16mm x4	E1  8x30mm x4
---	--	--

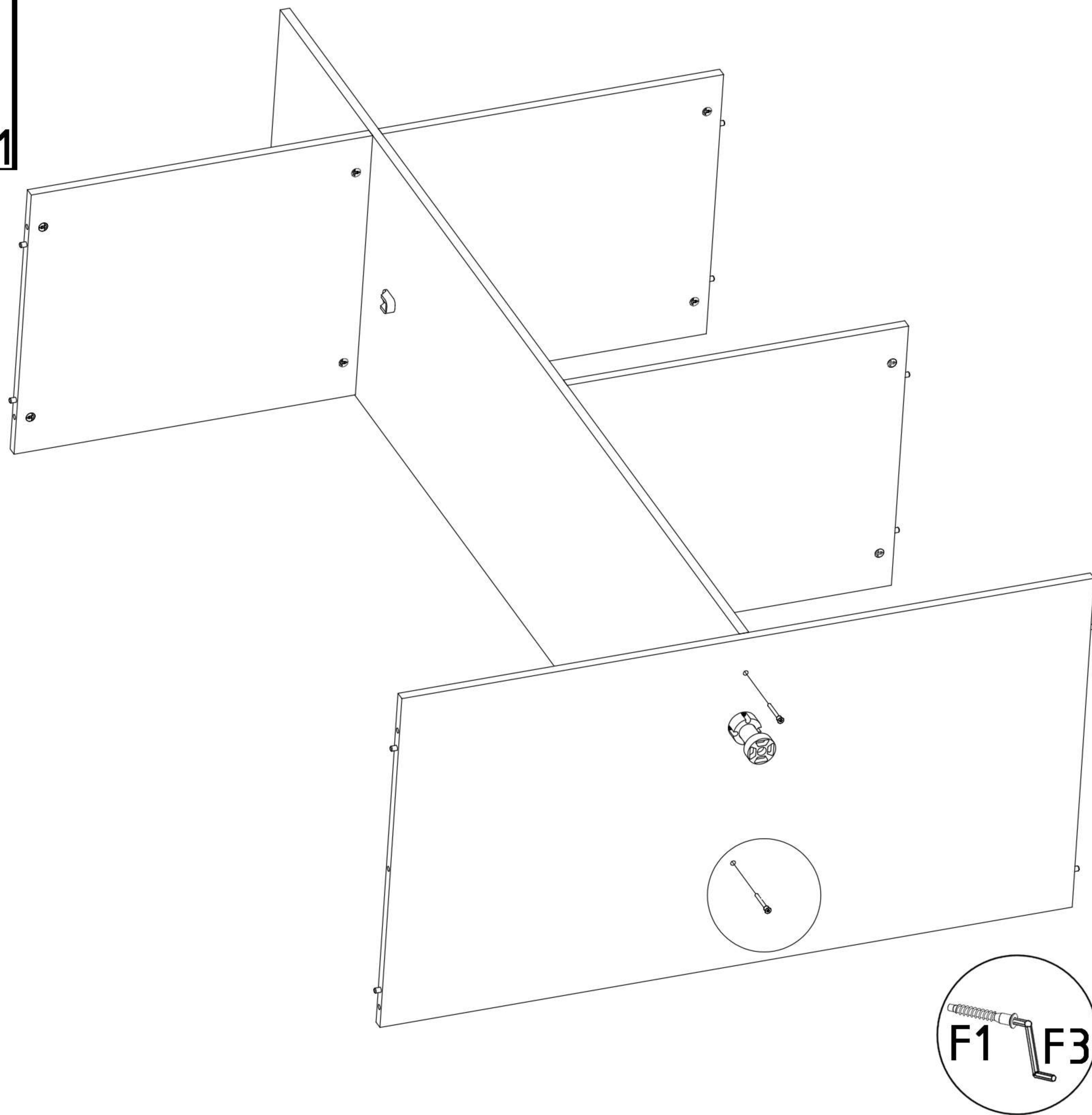



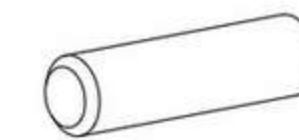
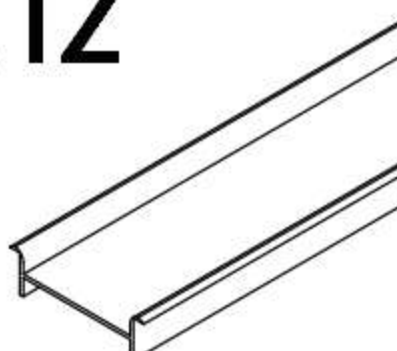


S1  3,5x16mm x1	K10  x1
--	--

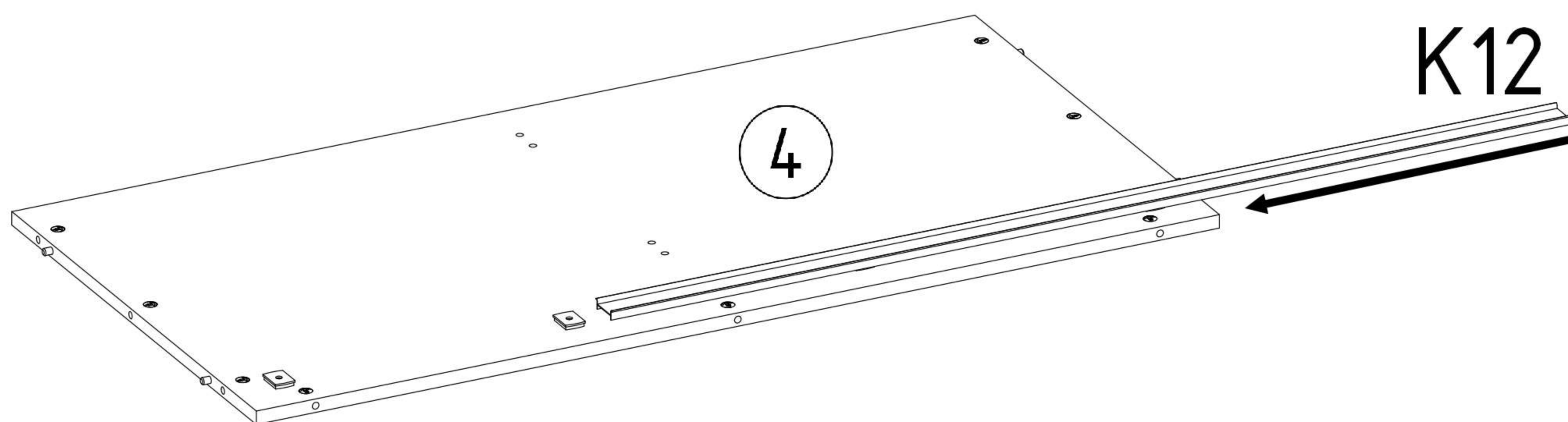
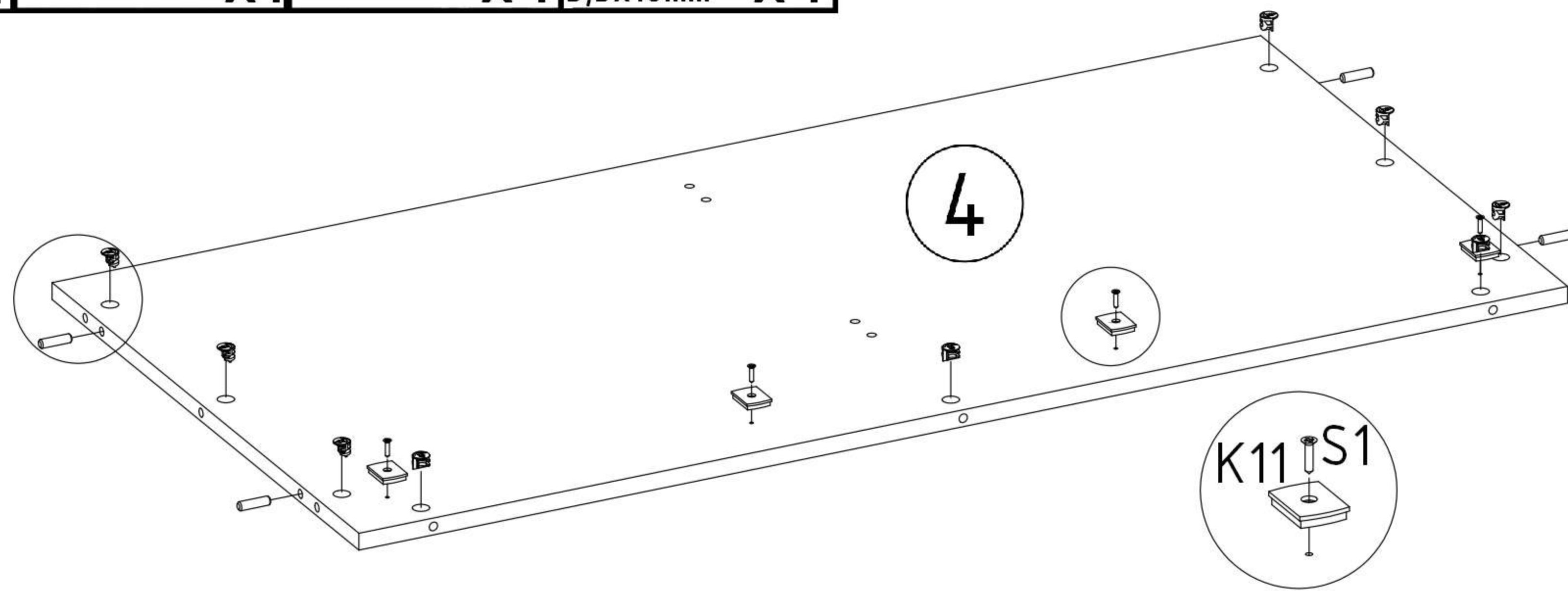
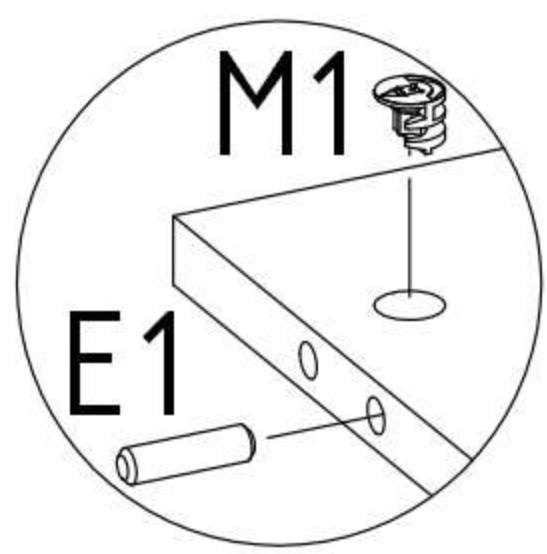





F1  7x50mm x2	F3  x1
--	--



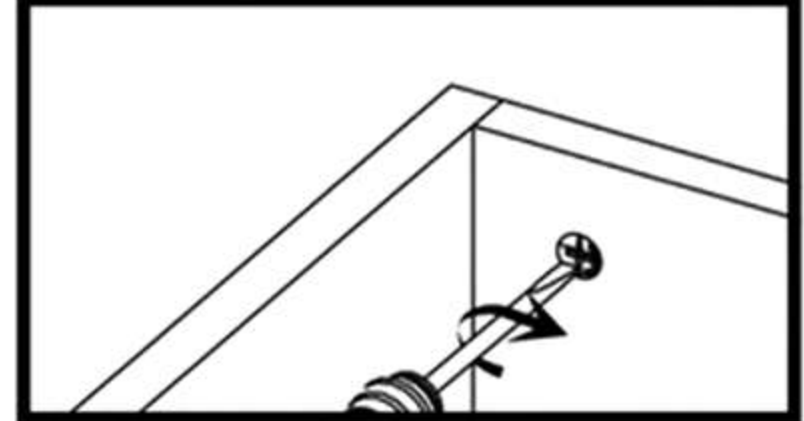
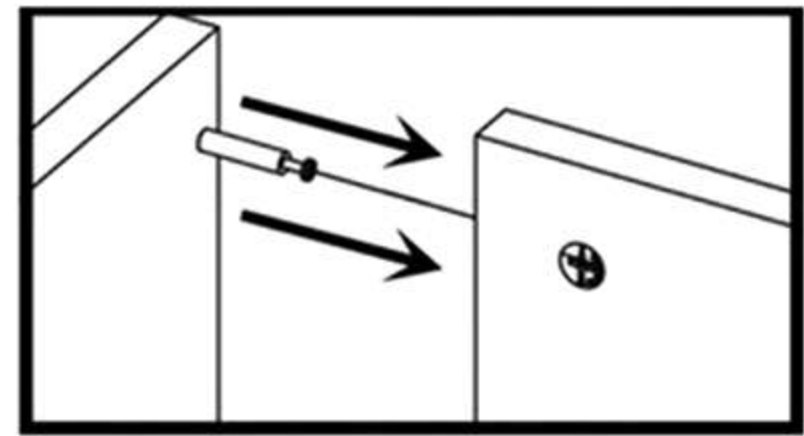
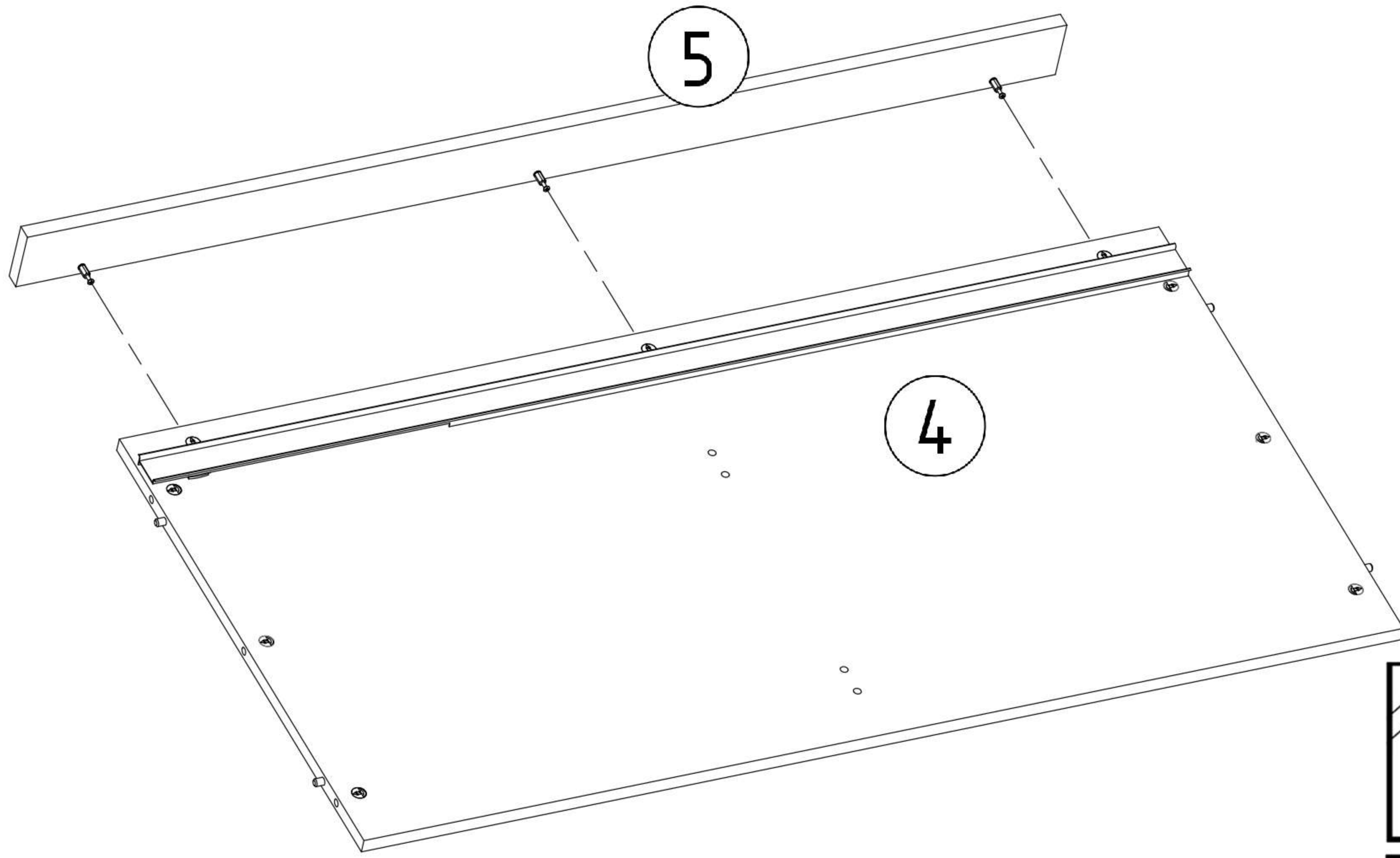
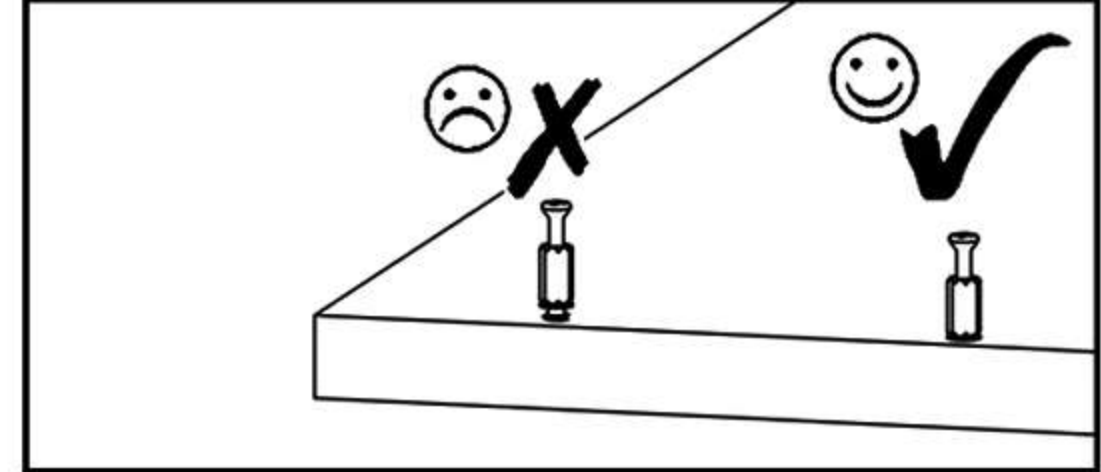
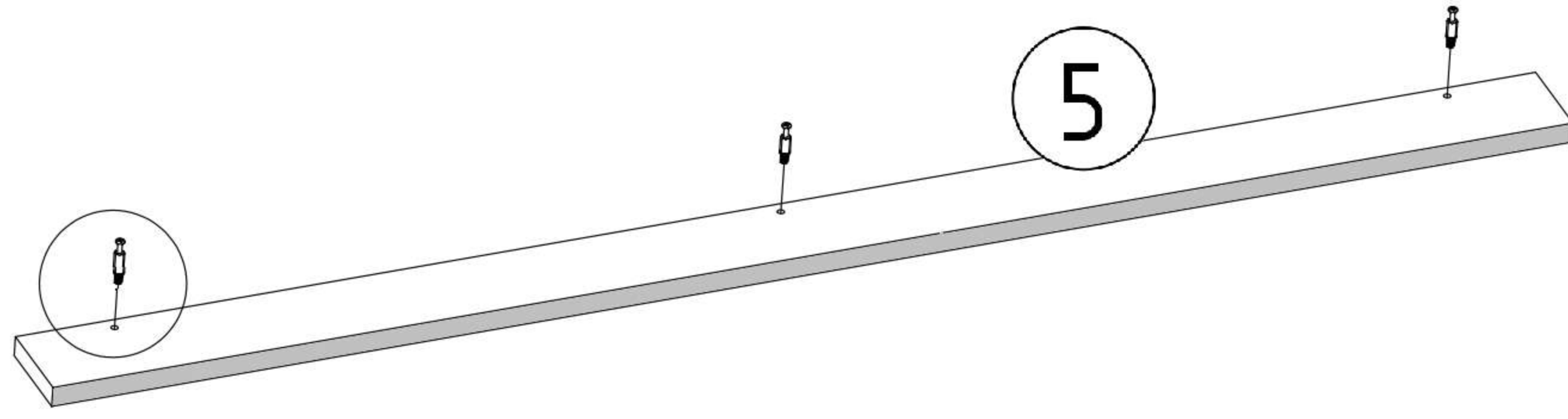
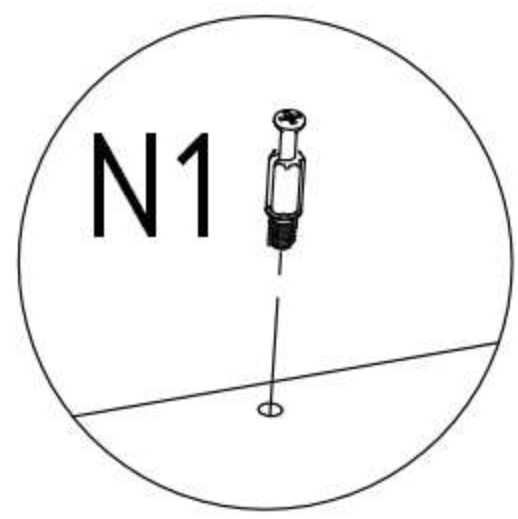
M1  12x15mm x9	E1  8x30mm x4	K12  x1	K11  x4	S1  3,5x16mm x4
--	---	---	---	---

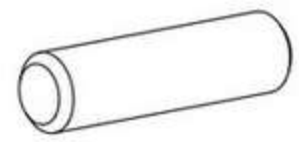




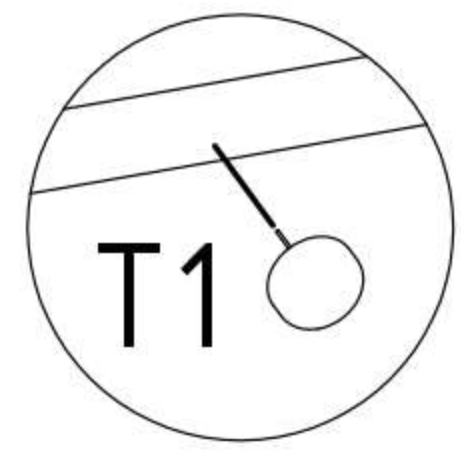
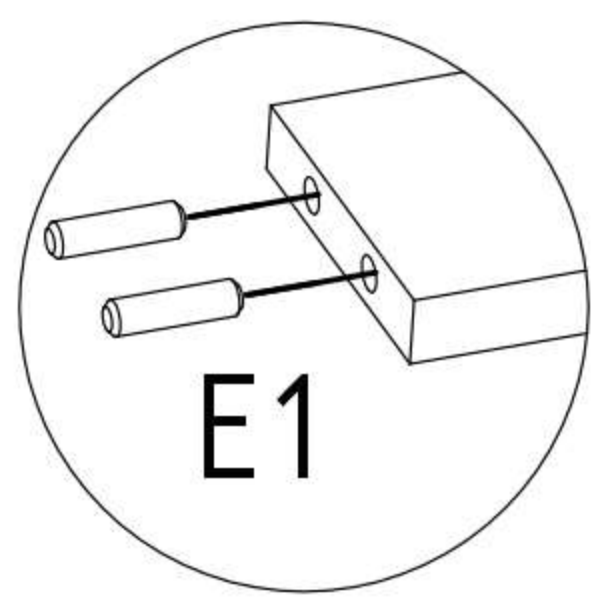
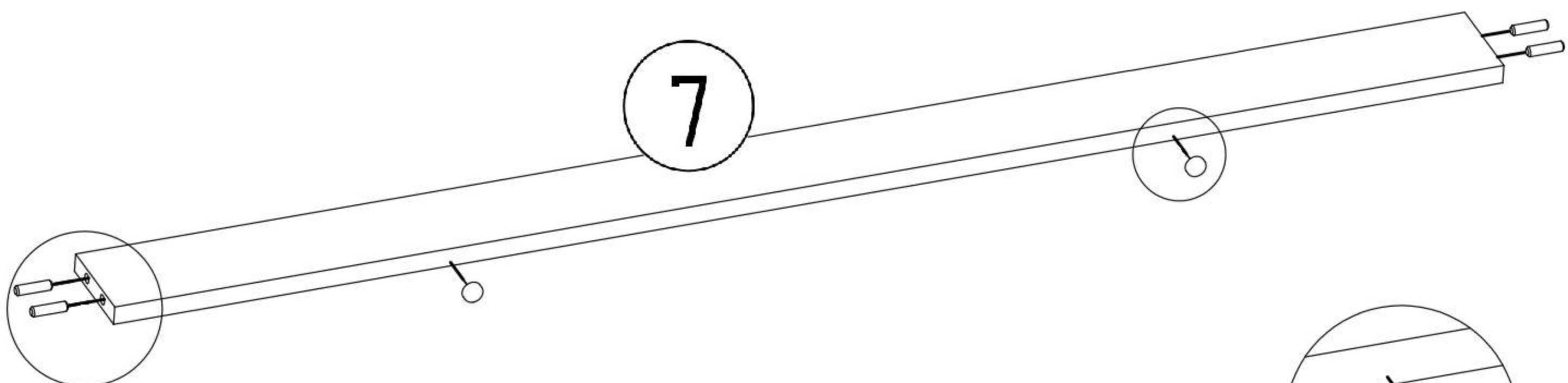
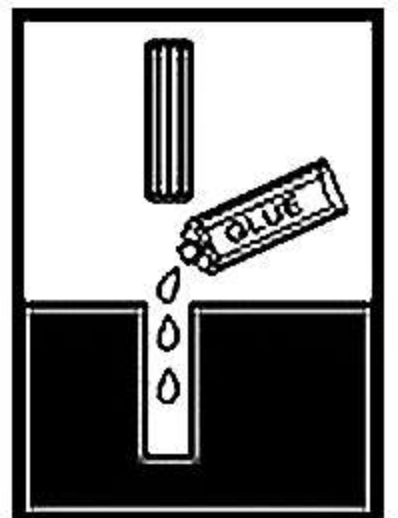
N1

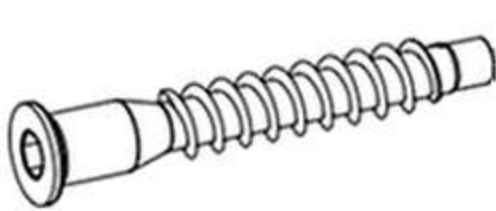
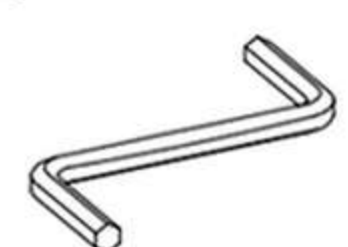


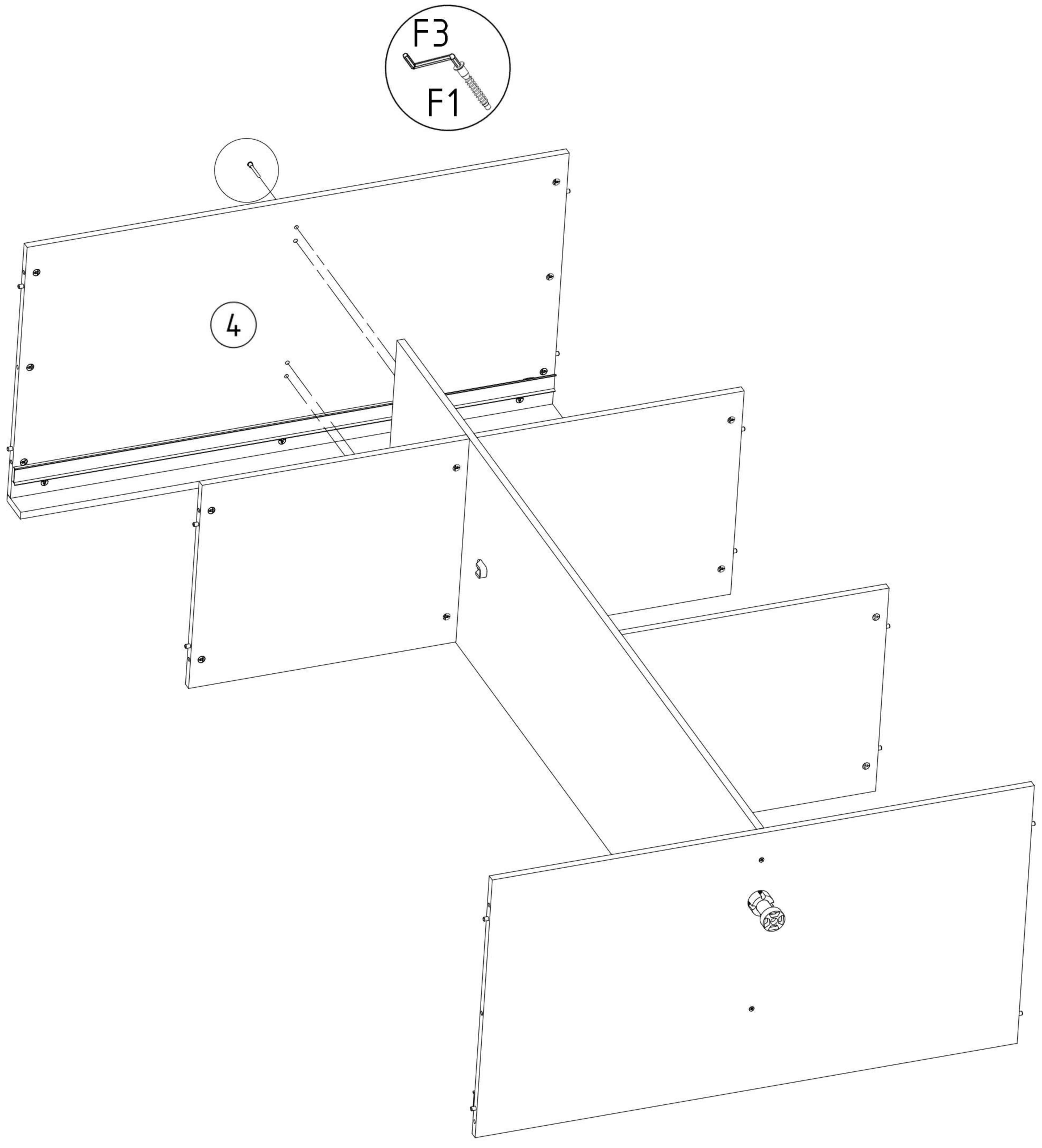
L=35mm **x3**




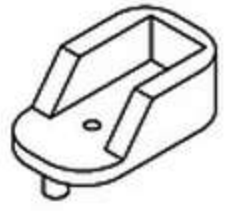


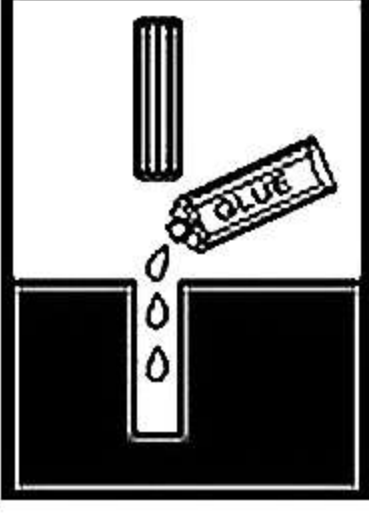
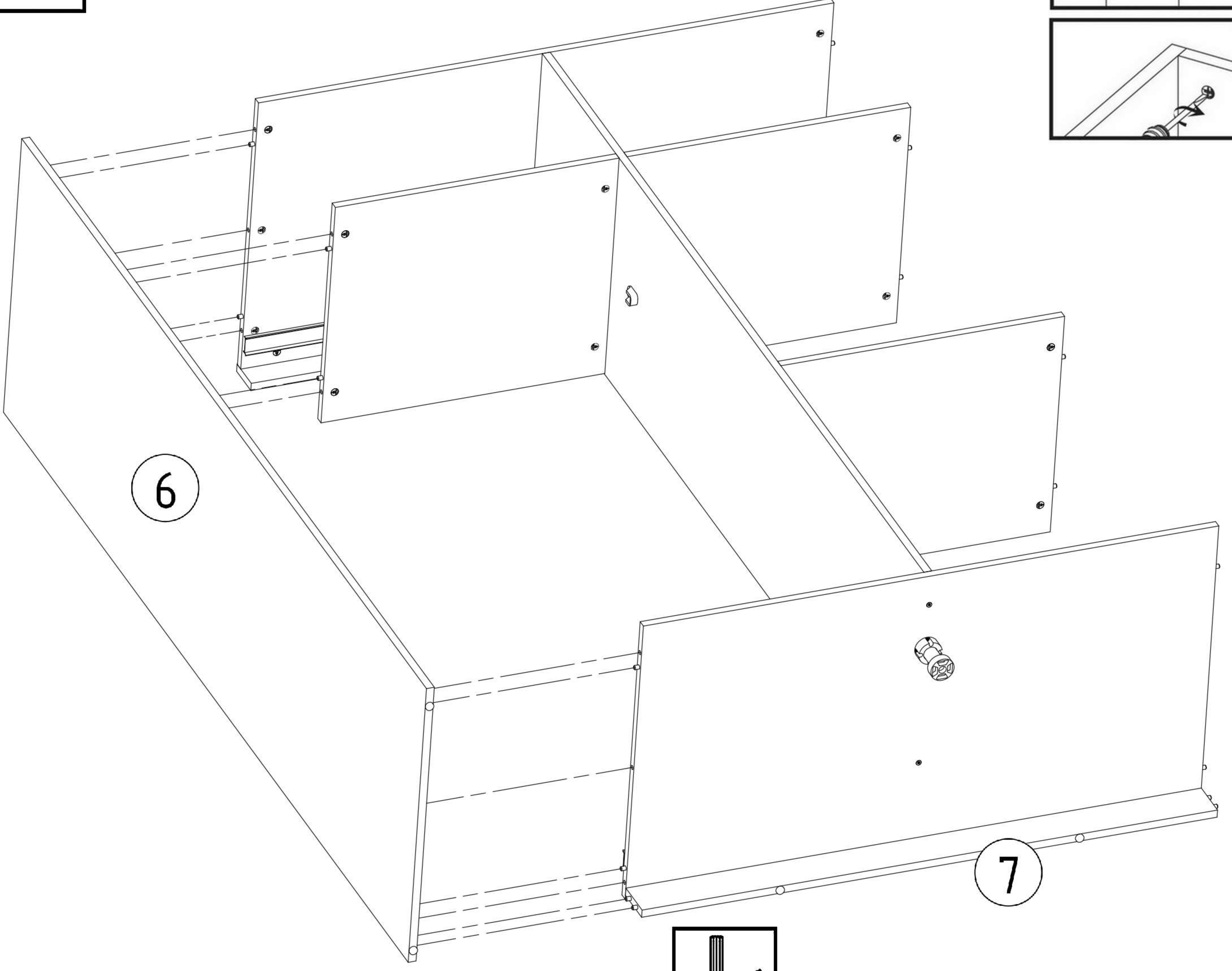
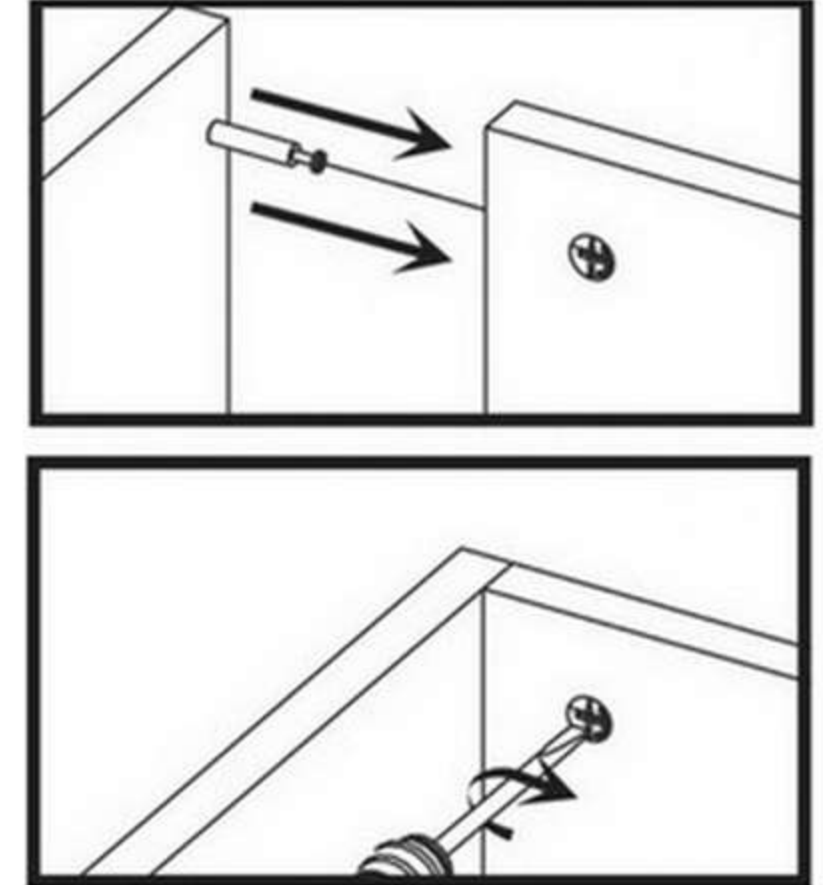
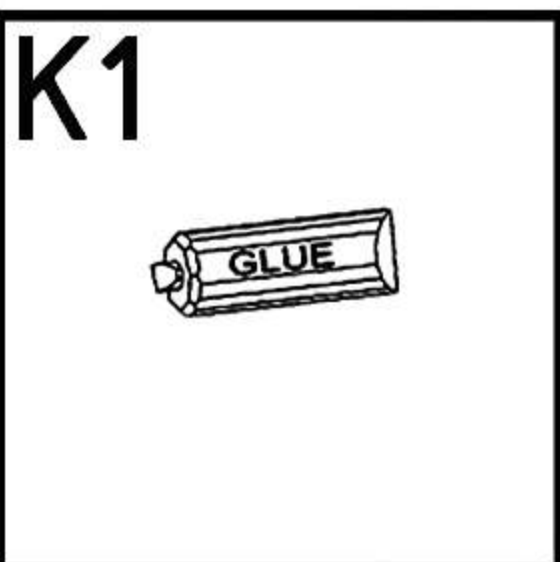
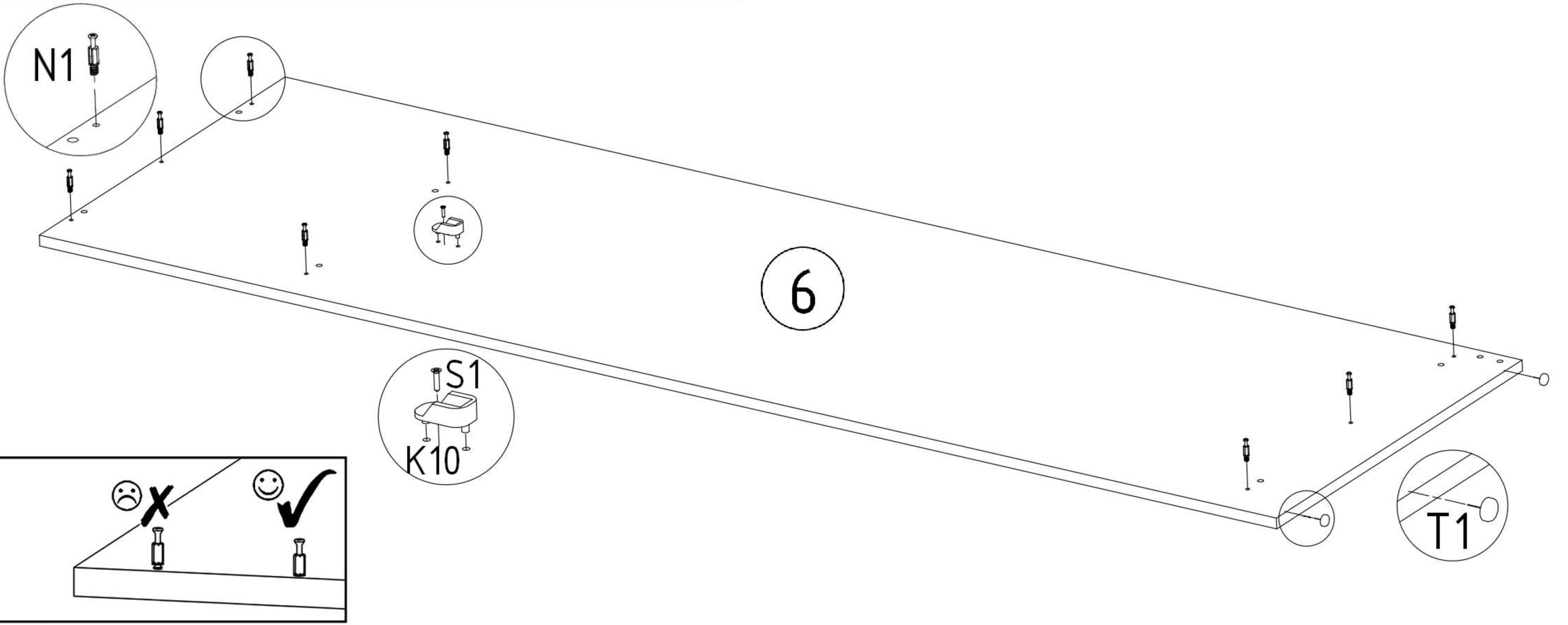
<p>E1</p>  <p>8x30mm x4</p>	<p>T1</p>  <p>x2</p>	<p>K1</p> 
---	---	--


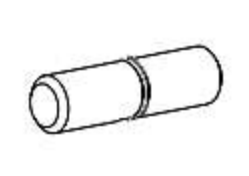



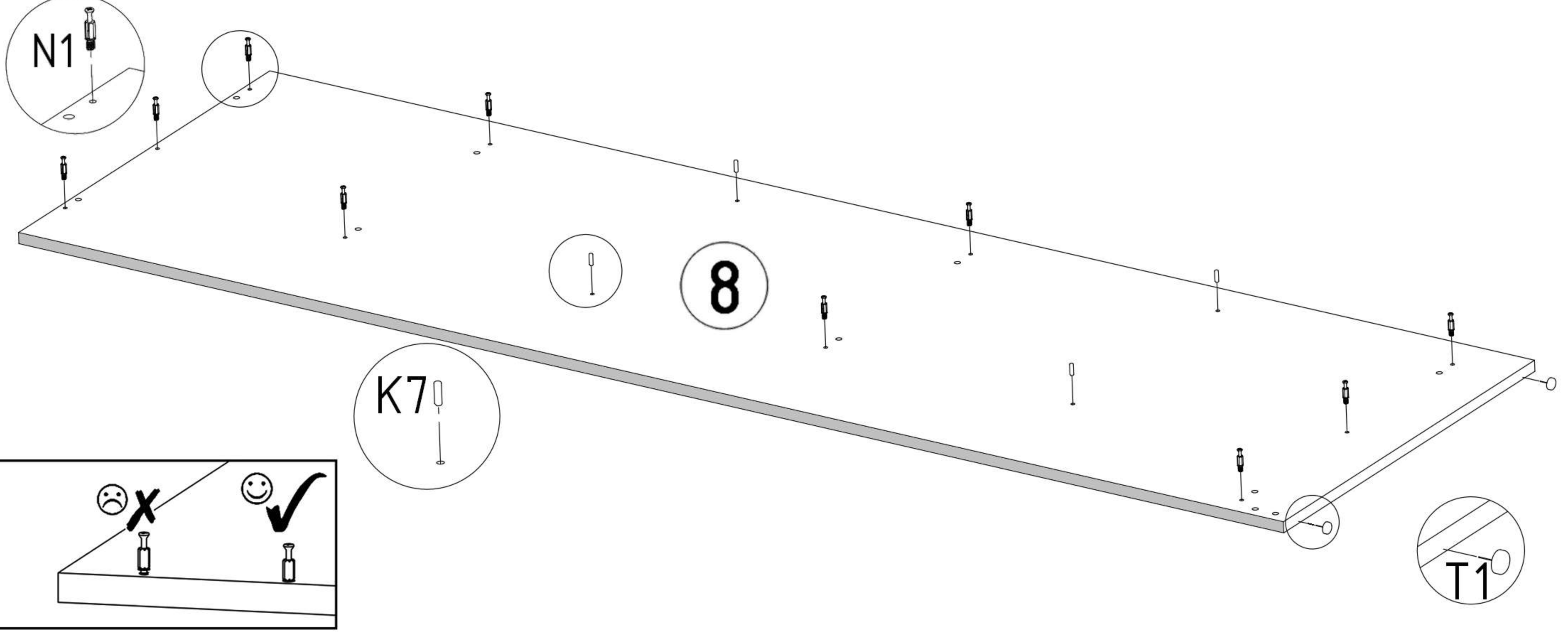
F1  7x50mm	F3  x1
x2	x1




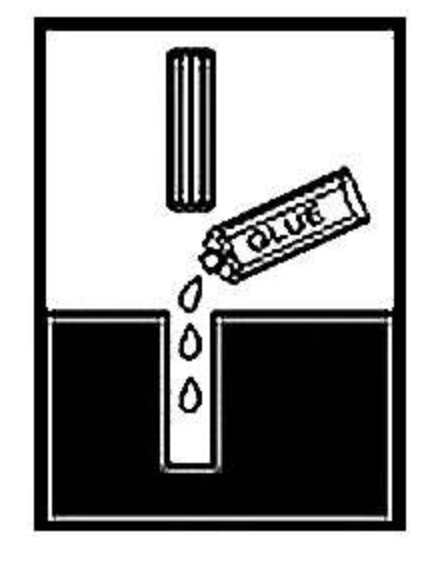
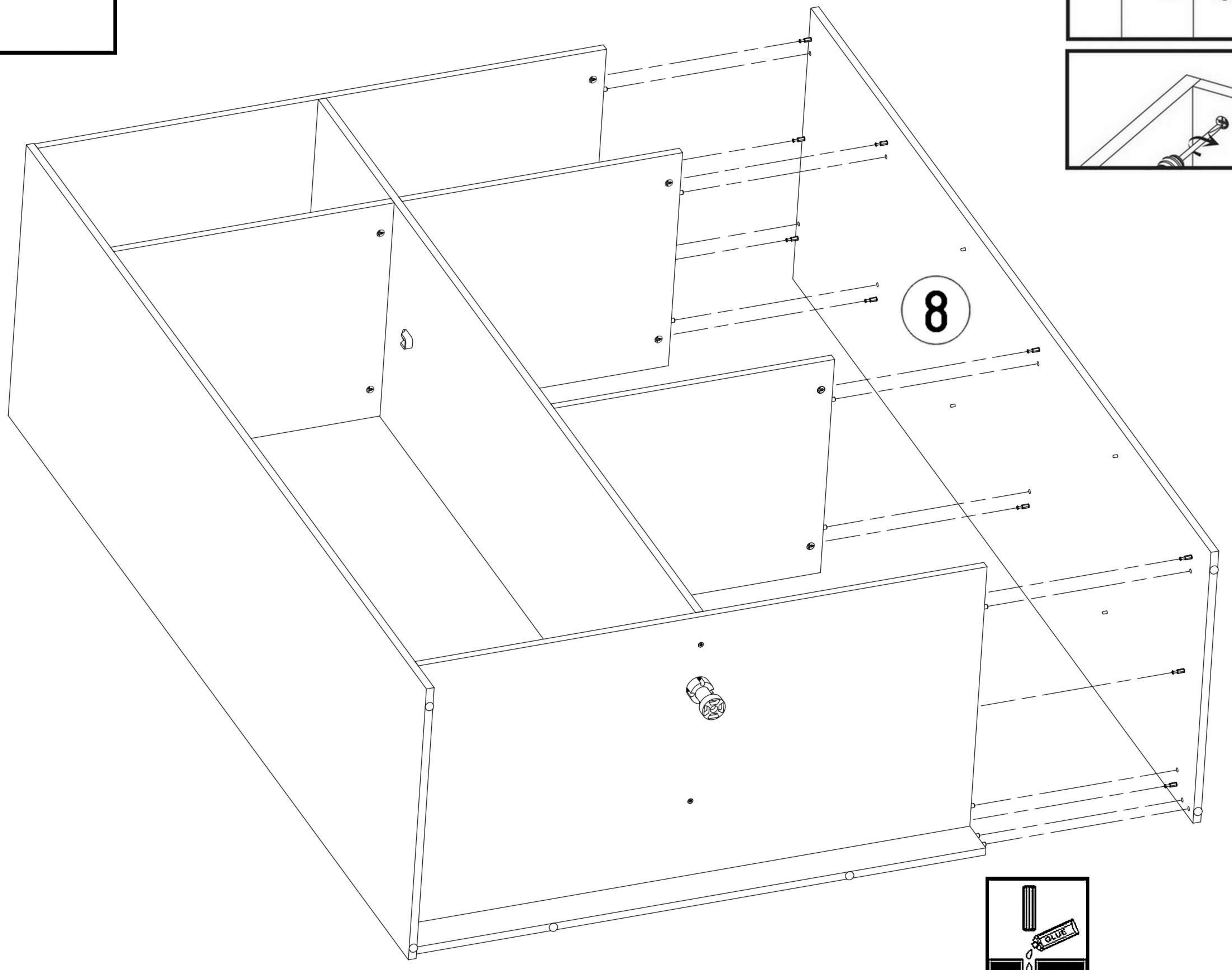
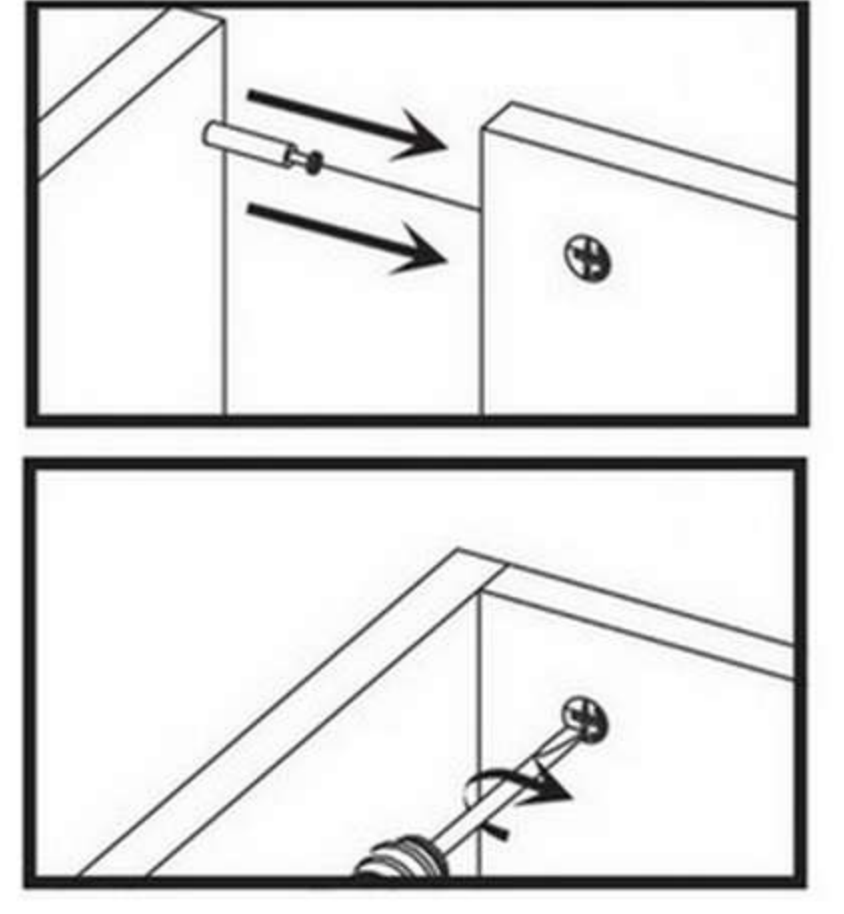
N1  L=35mm x8	T1  x2	S1  3,5x16mm x1	K10  x1
--	--	---	---








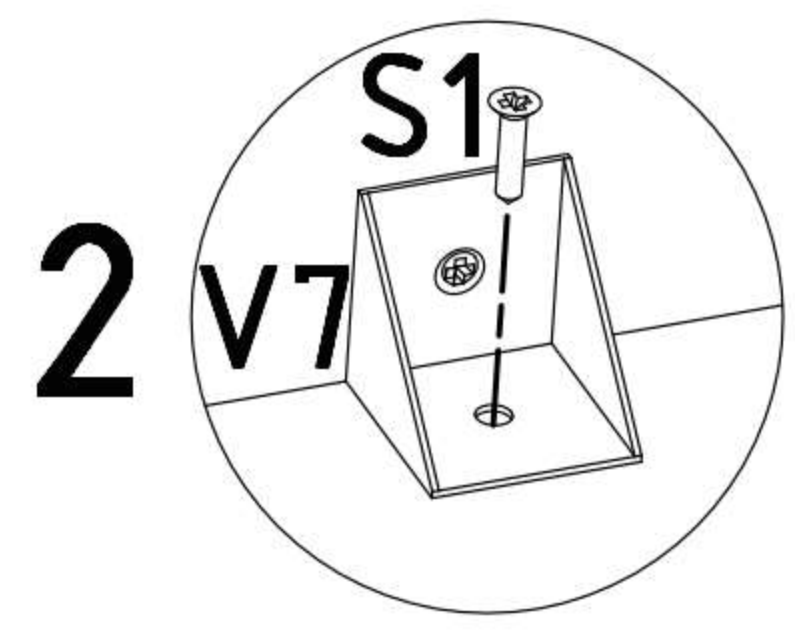
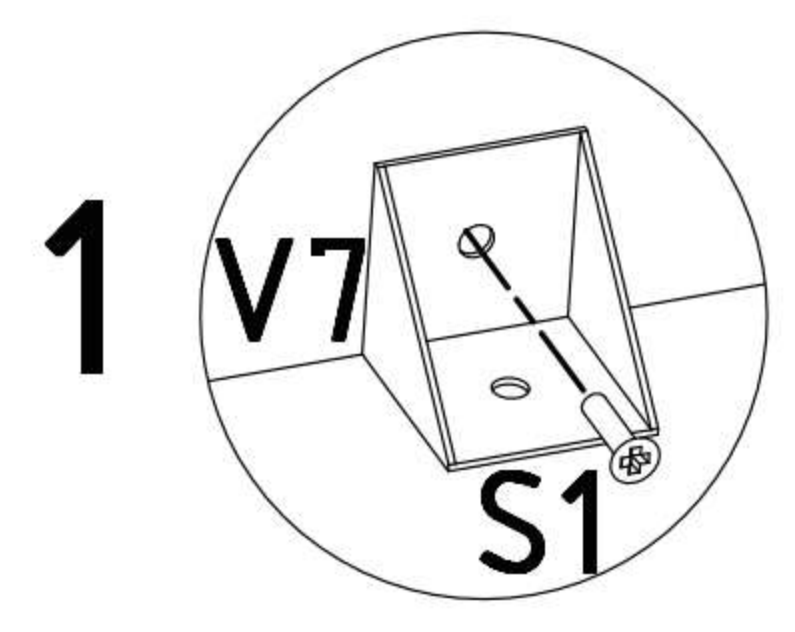
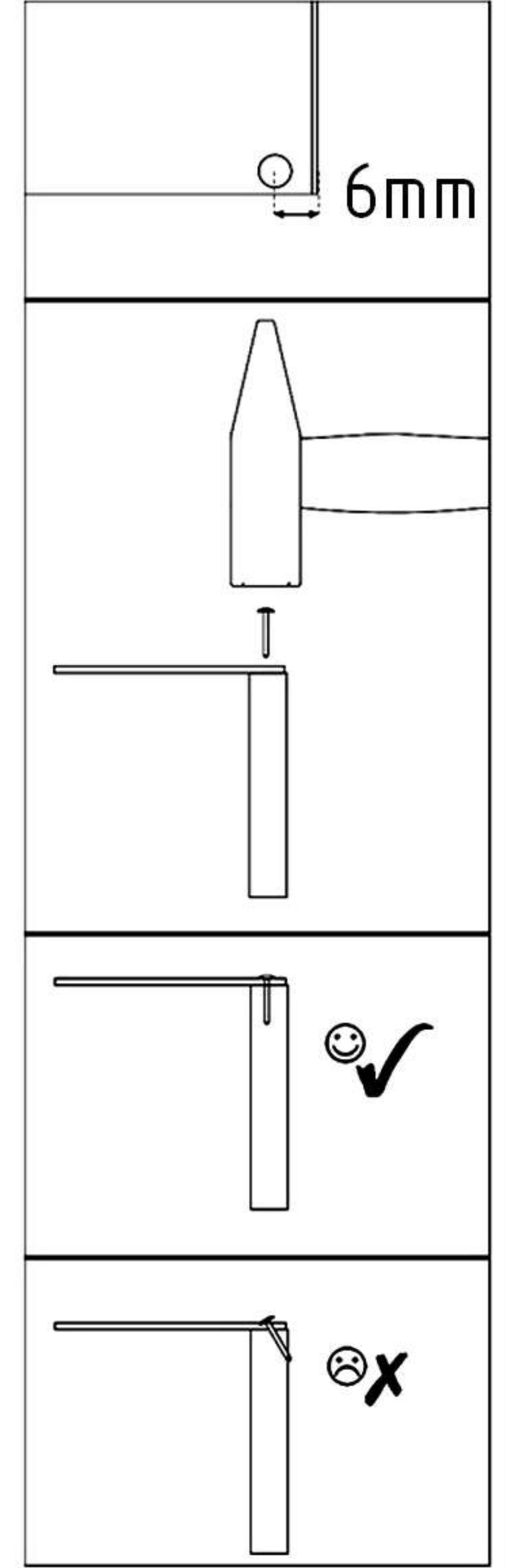
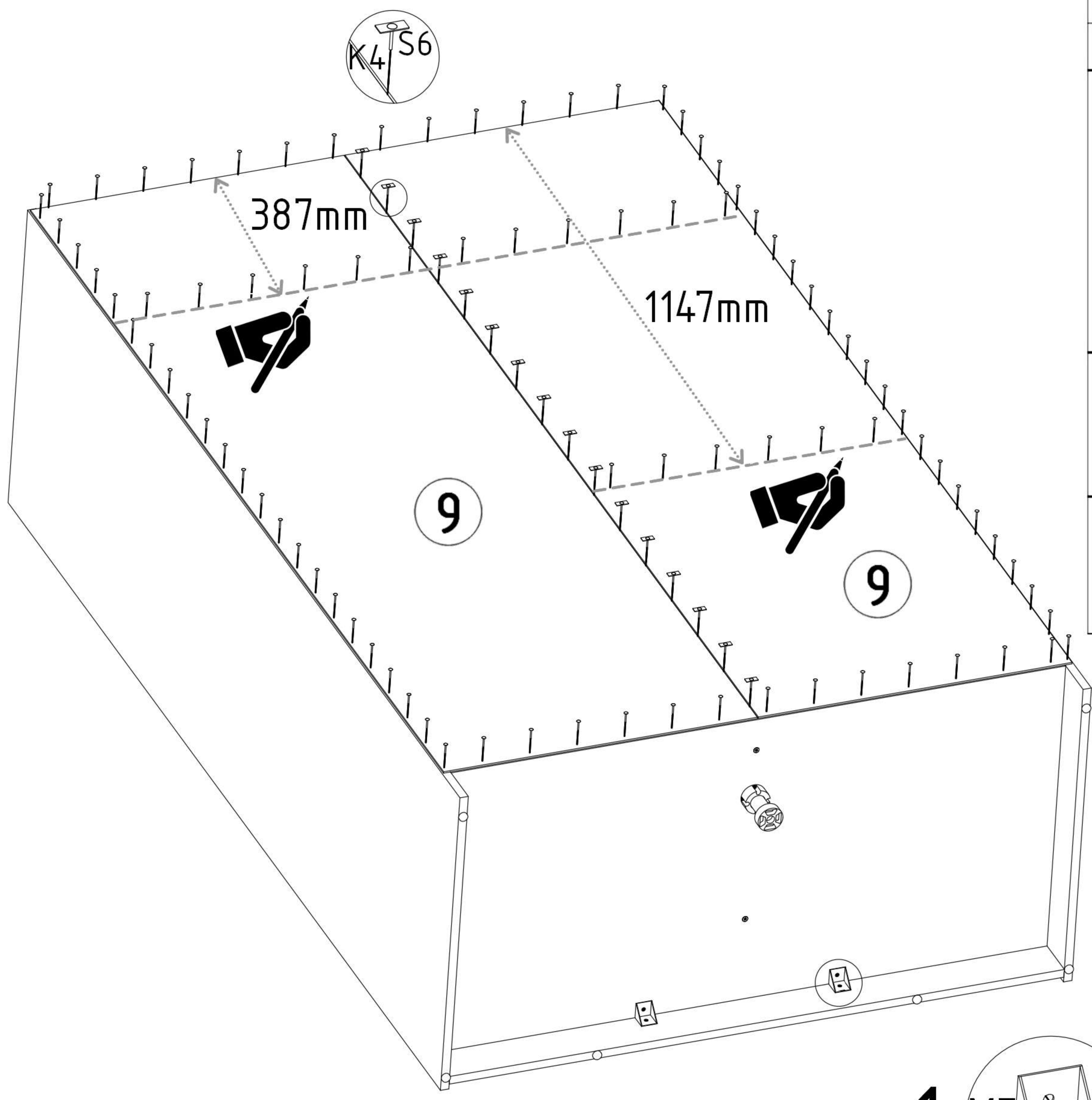
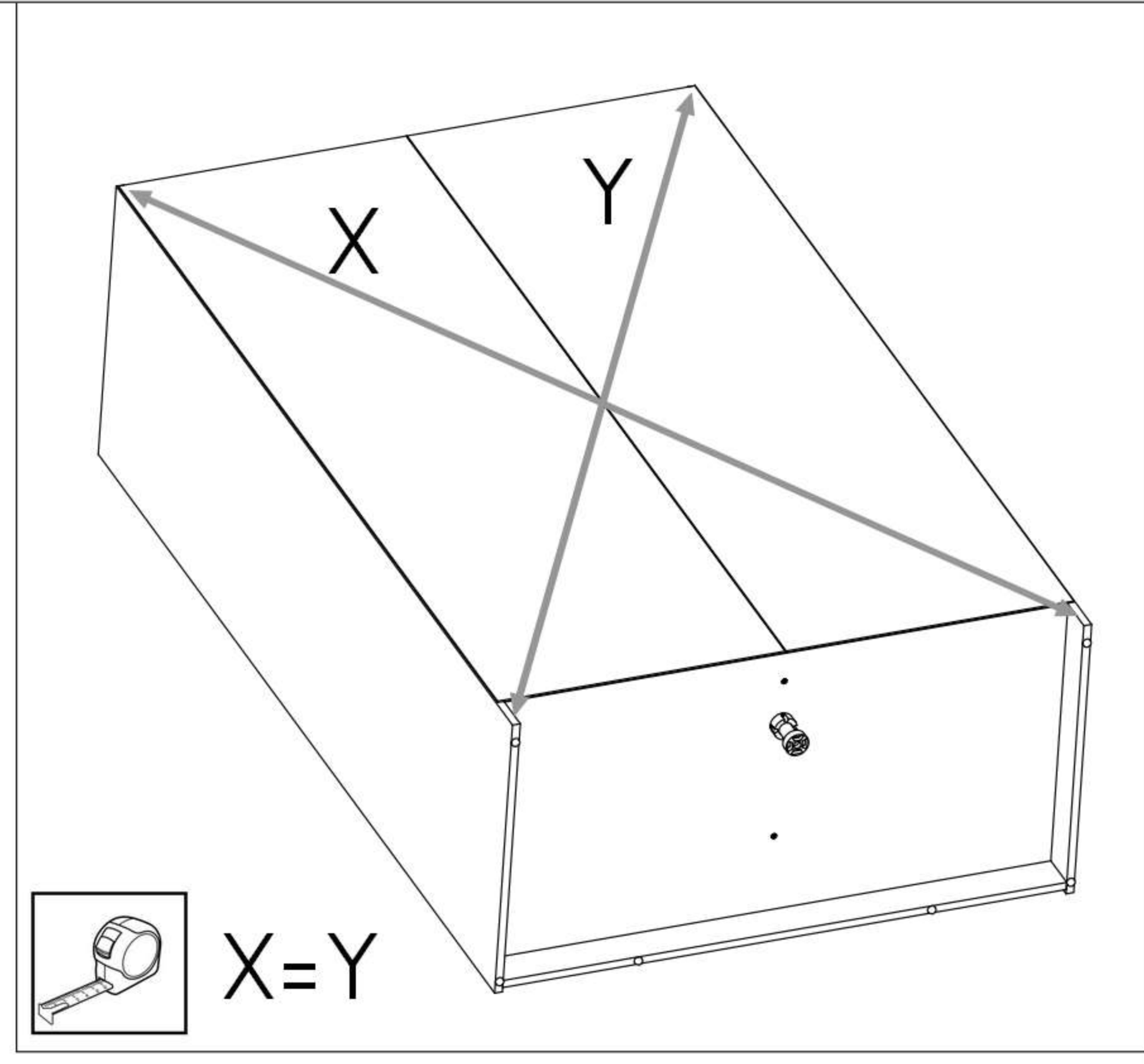
N1  L=35mm x10	K7  5x16mm x4	T1  x2
--	--	---



K1 

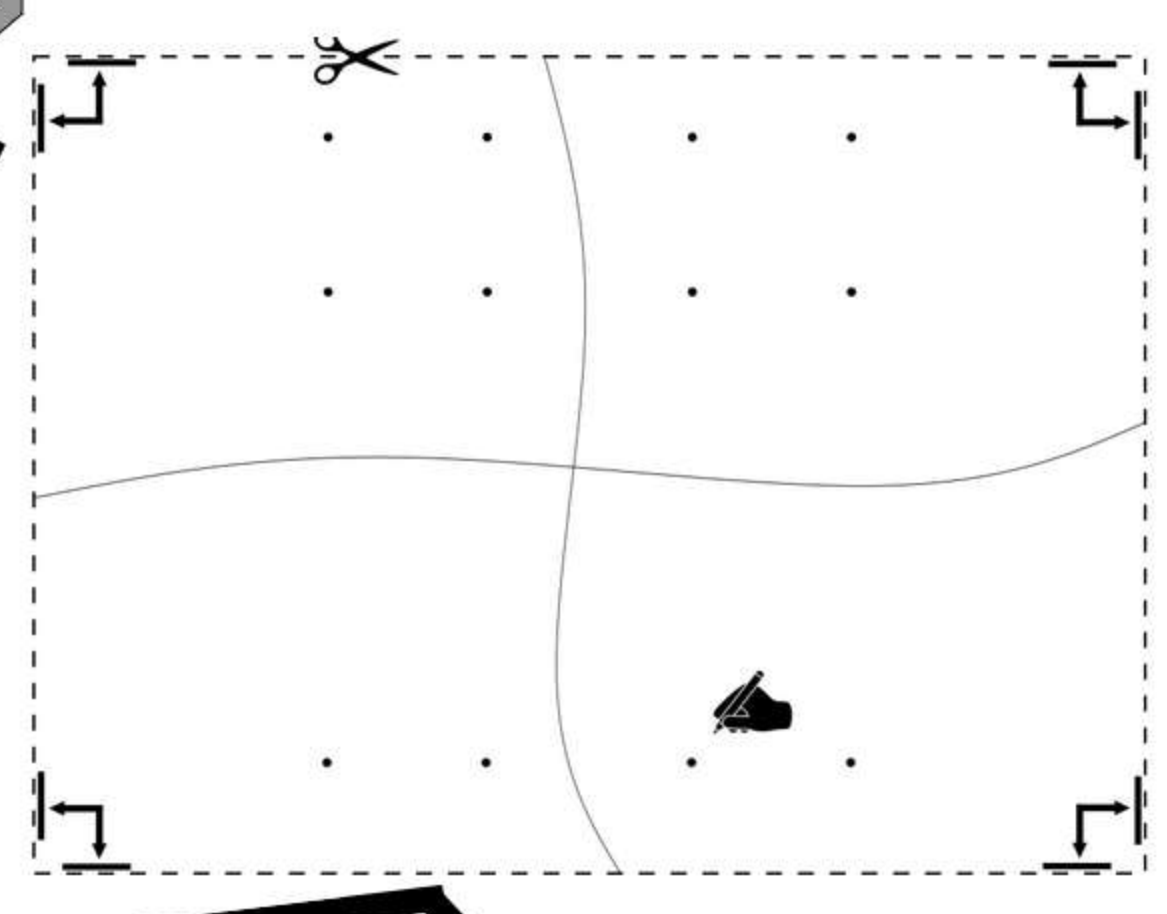


K4  x16	S1  x16 3,5x16mm	S6  x4 2,5x20	Z1  x150	V7  x2
--	---	--	---	---



DÓŁ DRZWI / BOTTOM DOOR

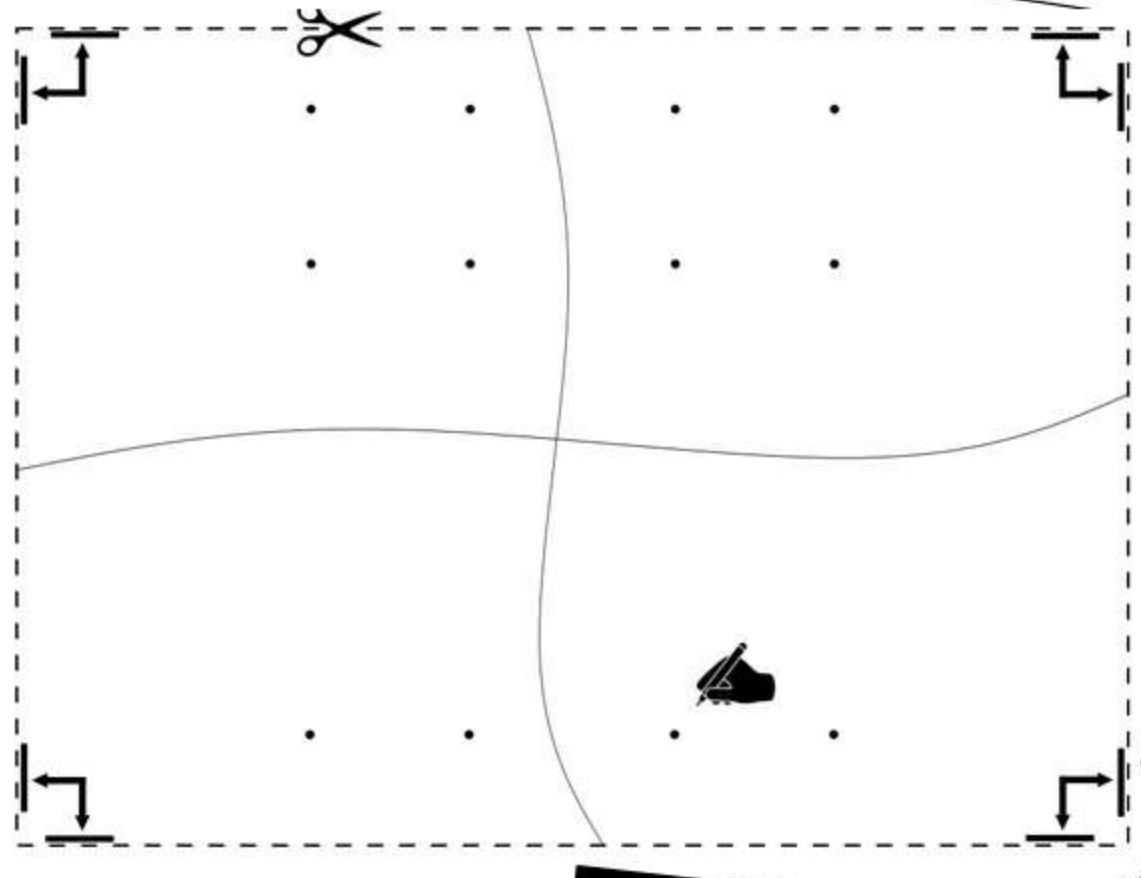
11



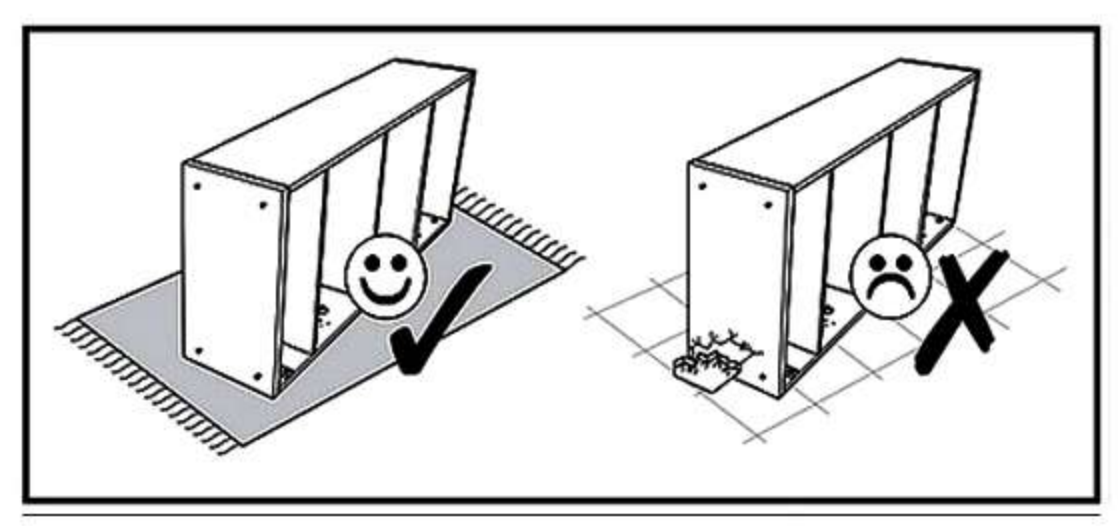
GÓRA DRZWI / TOP DOOR

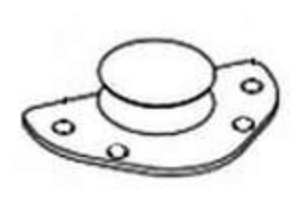

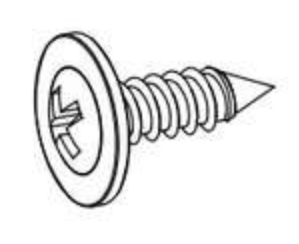
10

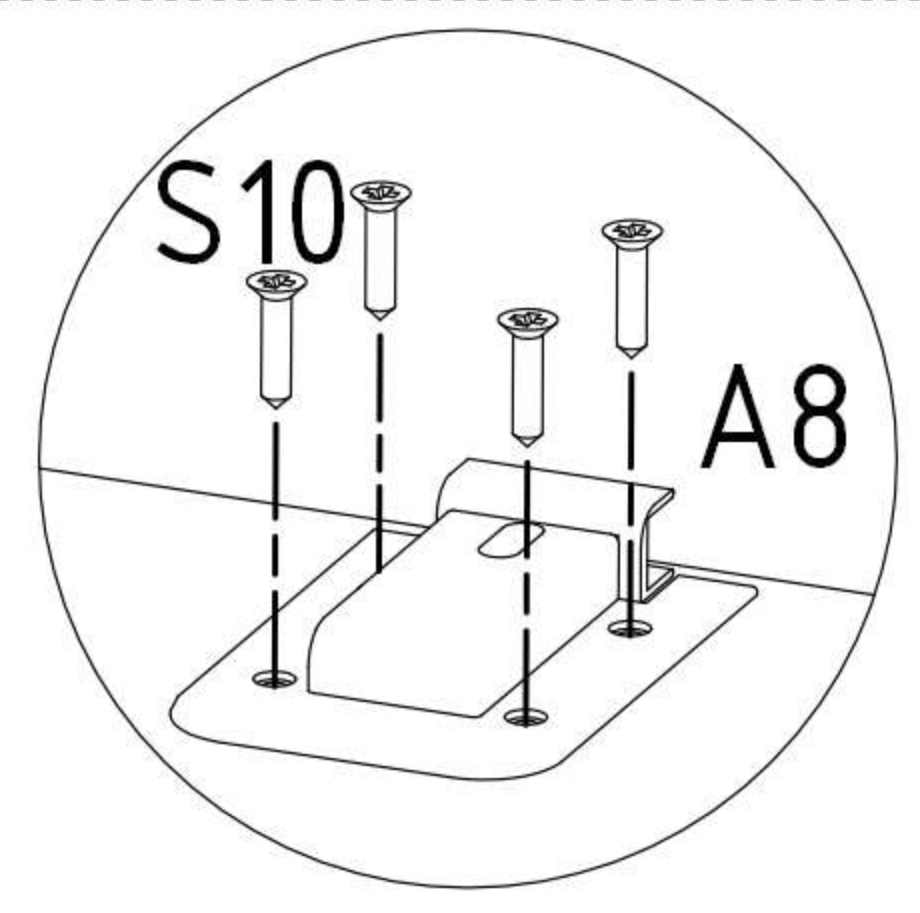
GÓRA DRZWI / TOP DOOR



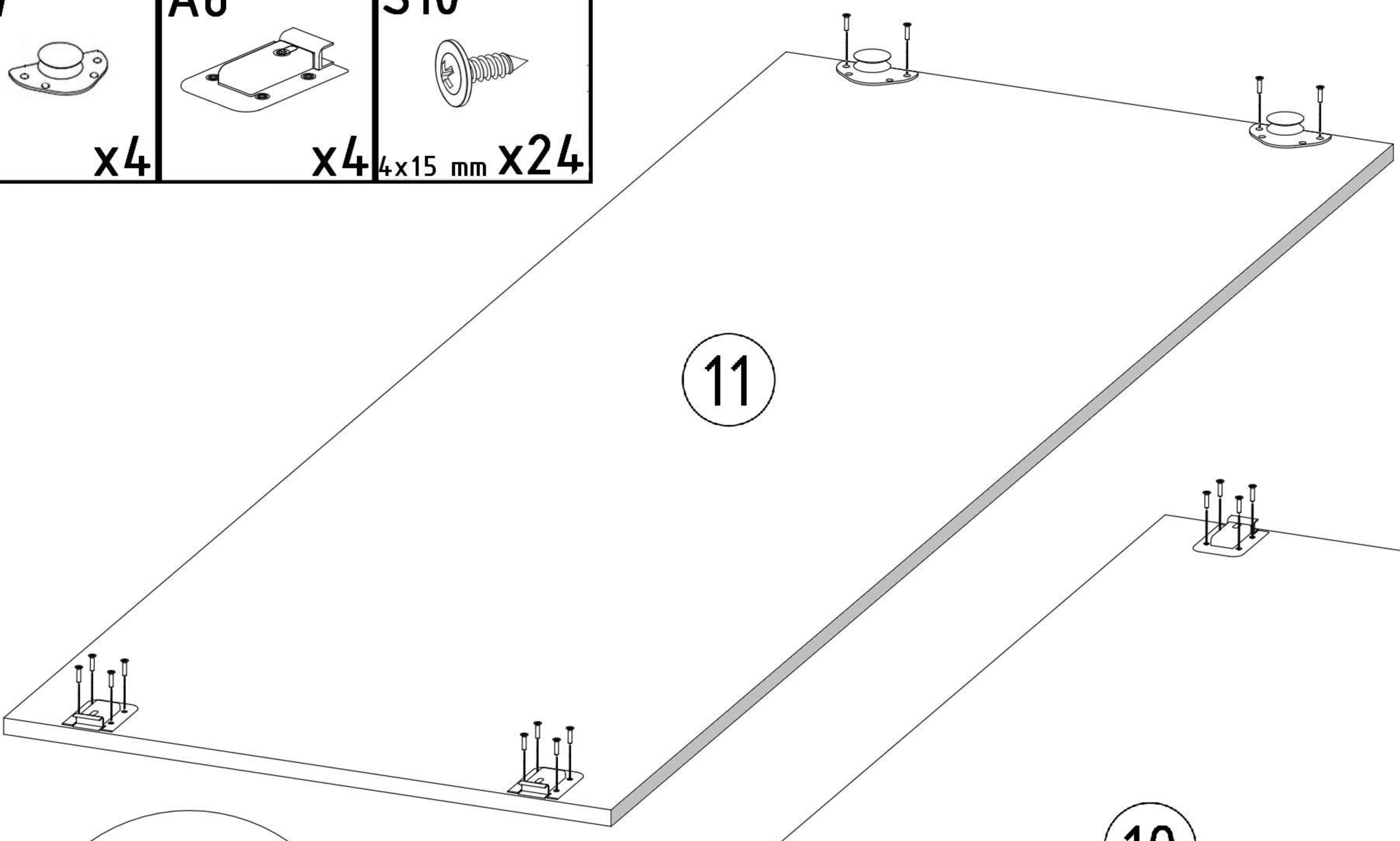
DÓŁ DRZWI / BOTTOM DOOR



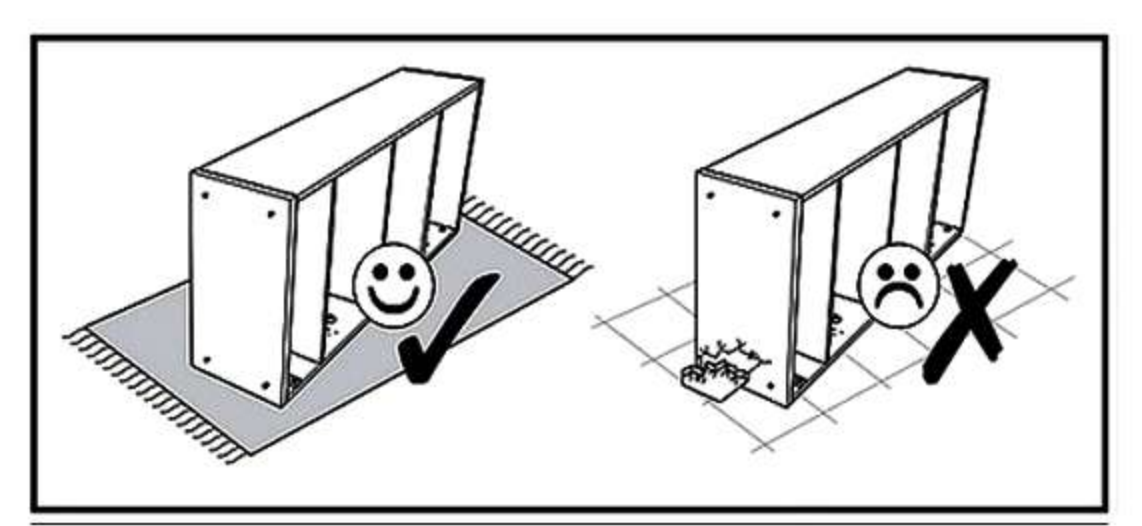
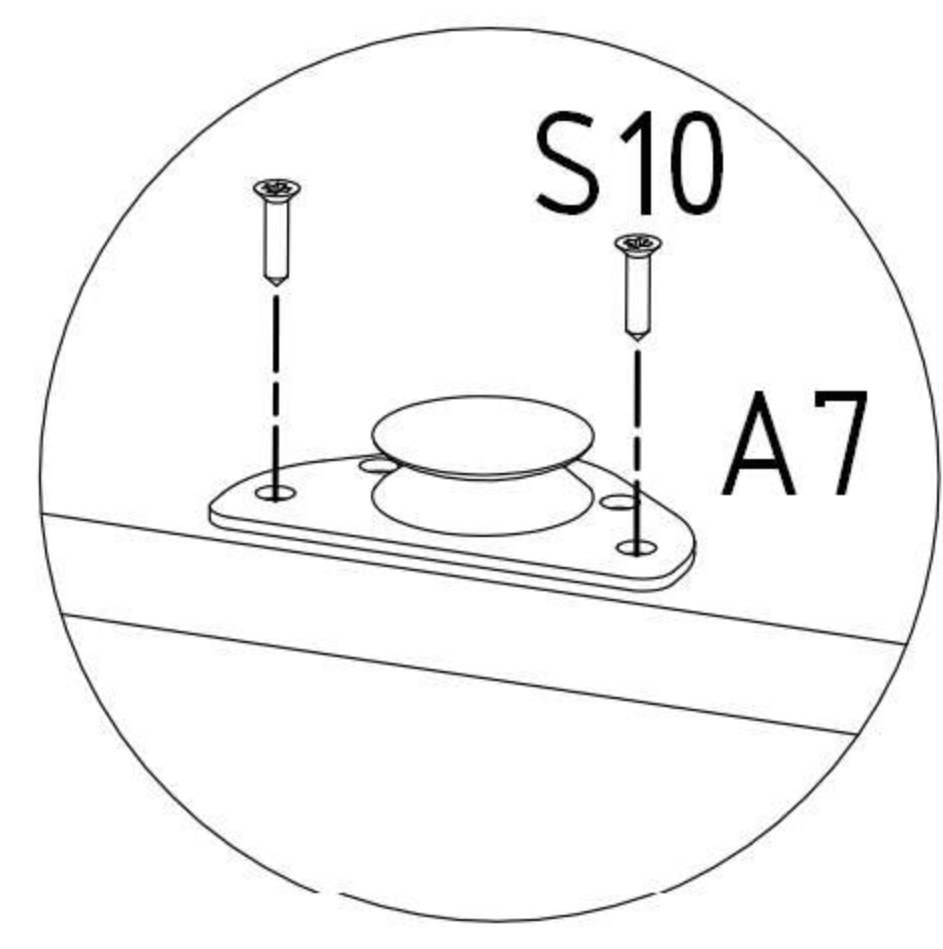
<p>A7</p>  <p>x4</p>	<p>A8</p>  <p>x4</p>	<p>S10</p>  <p>4x15 mm x24</p>
--	---	---

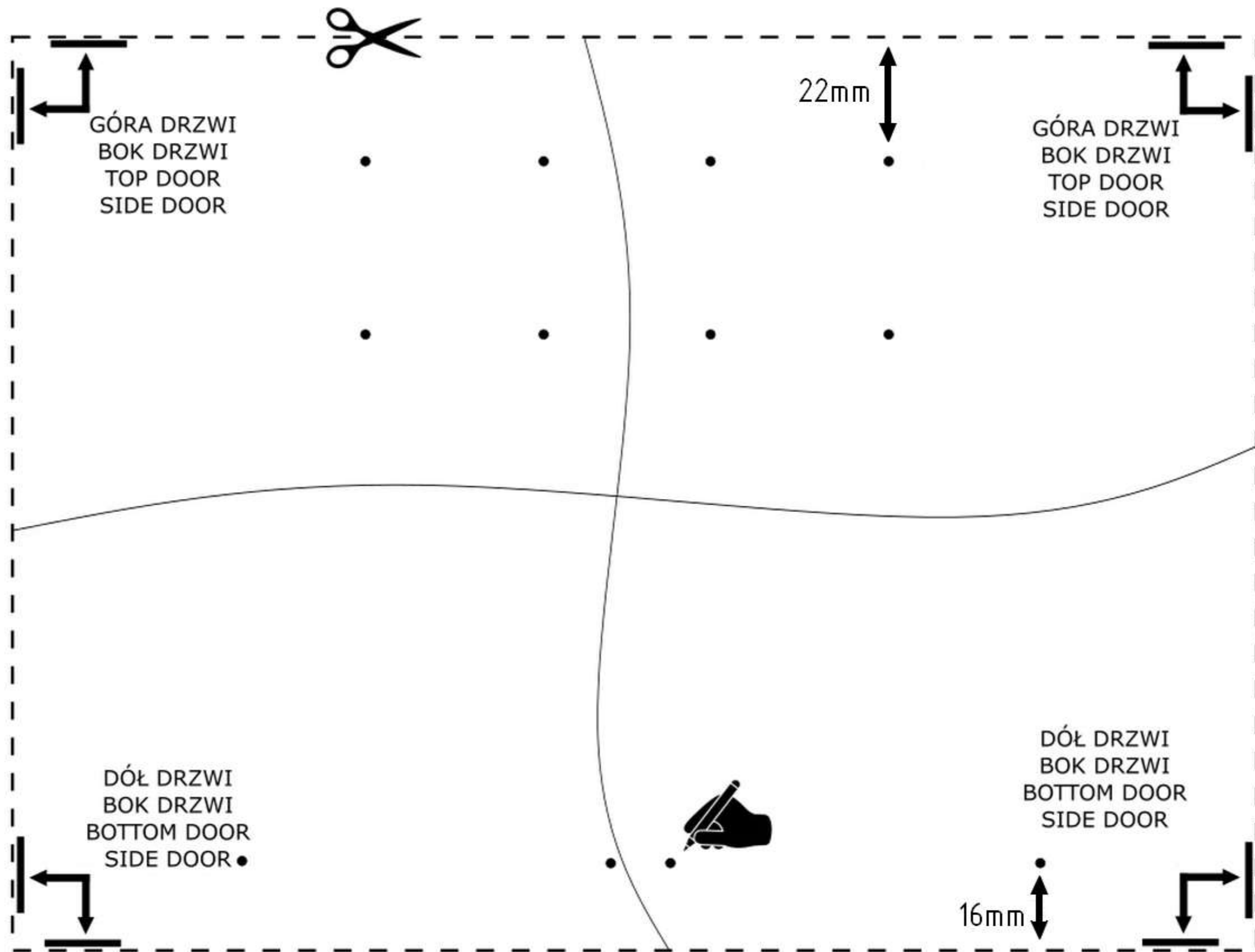


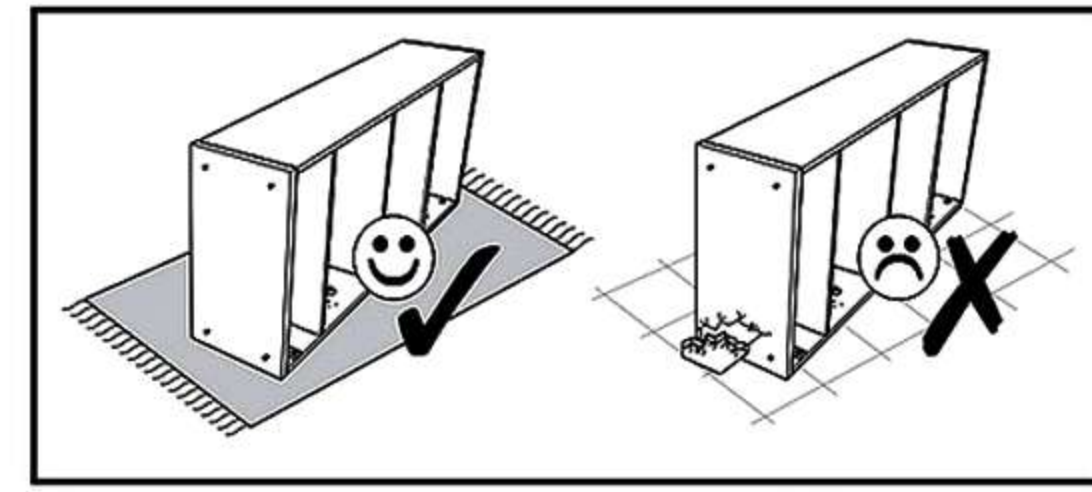
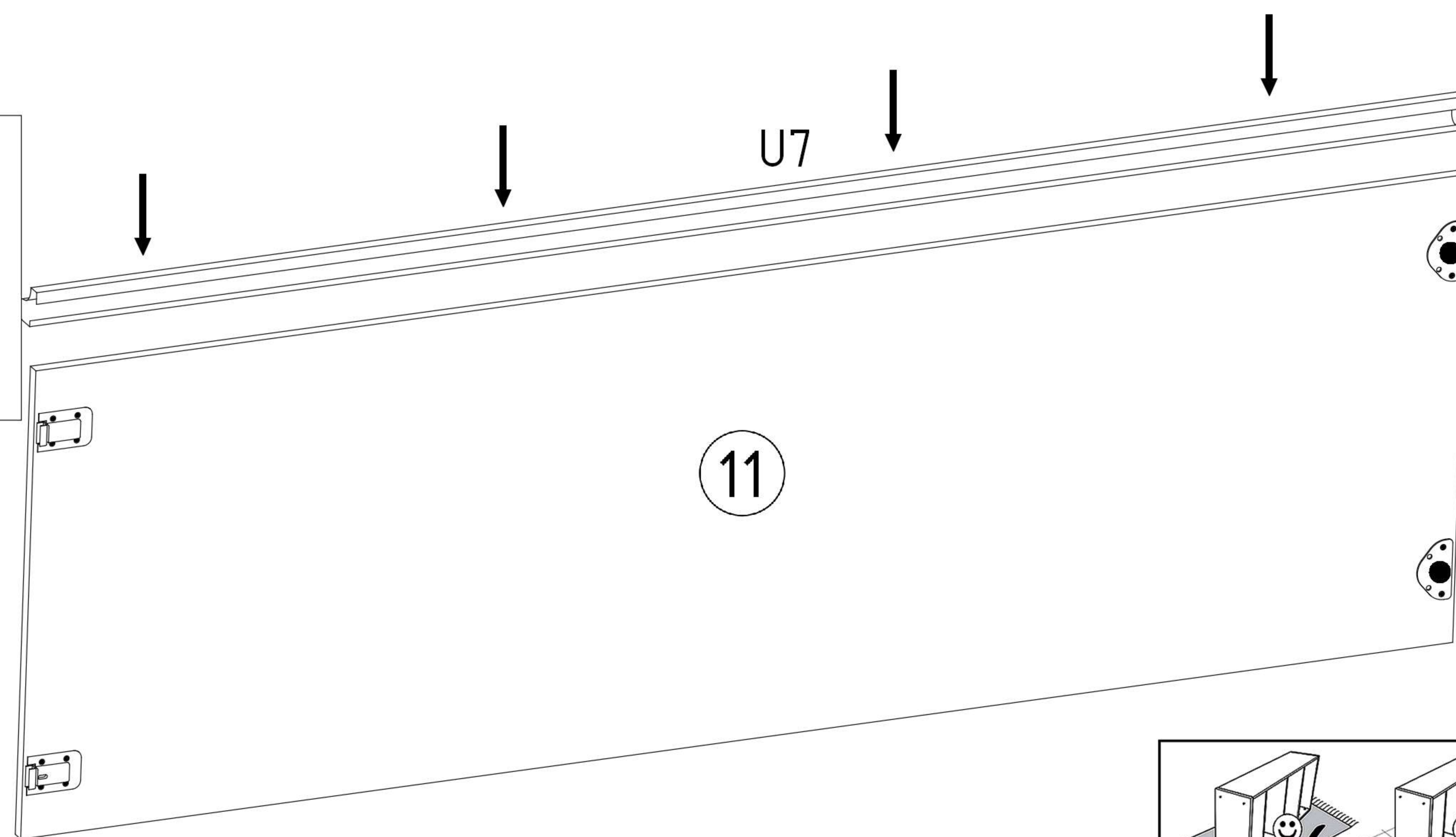
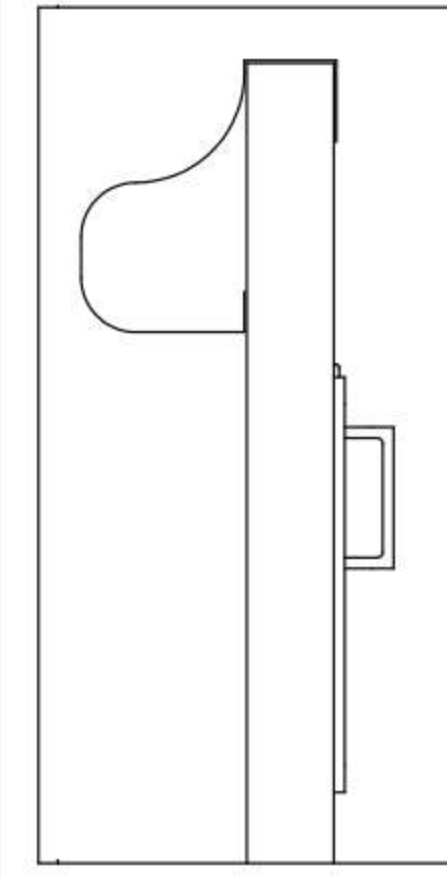
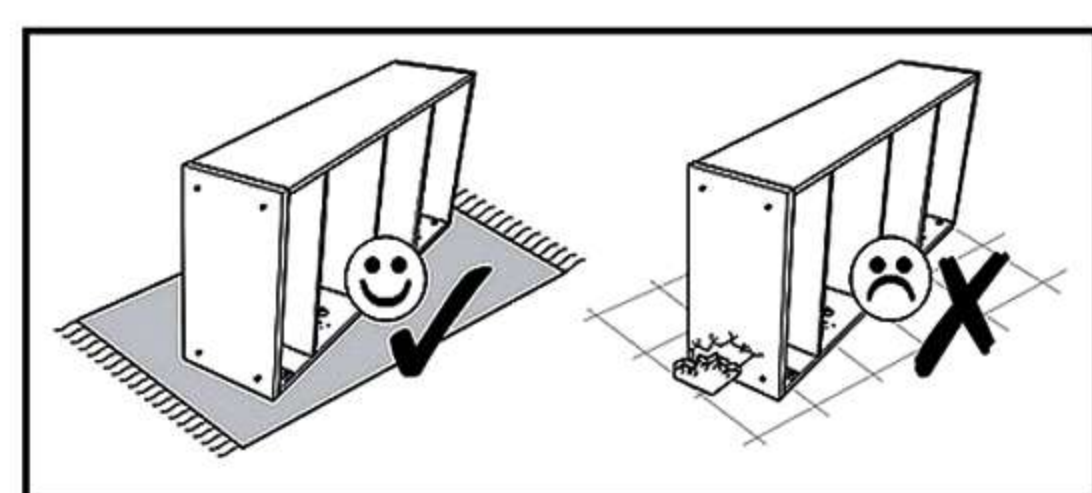
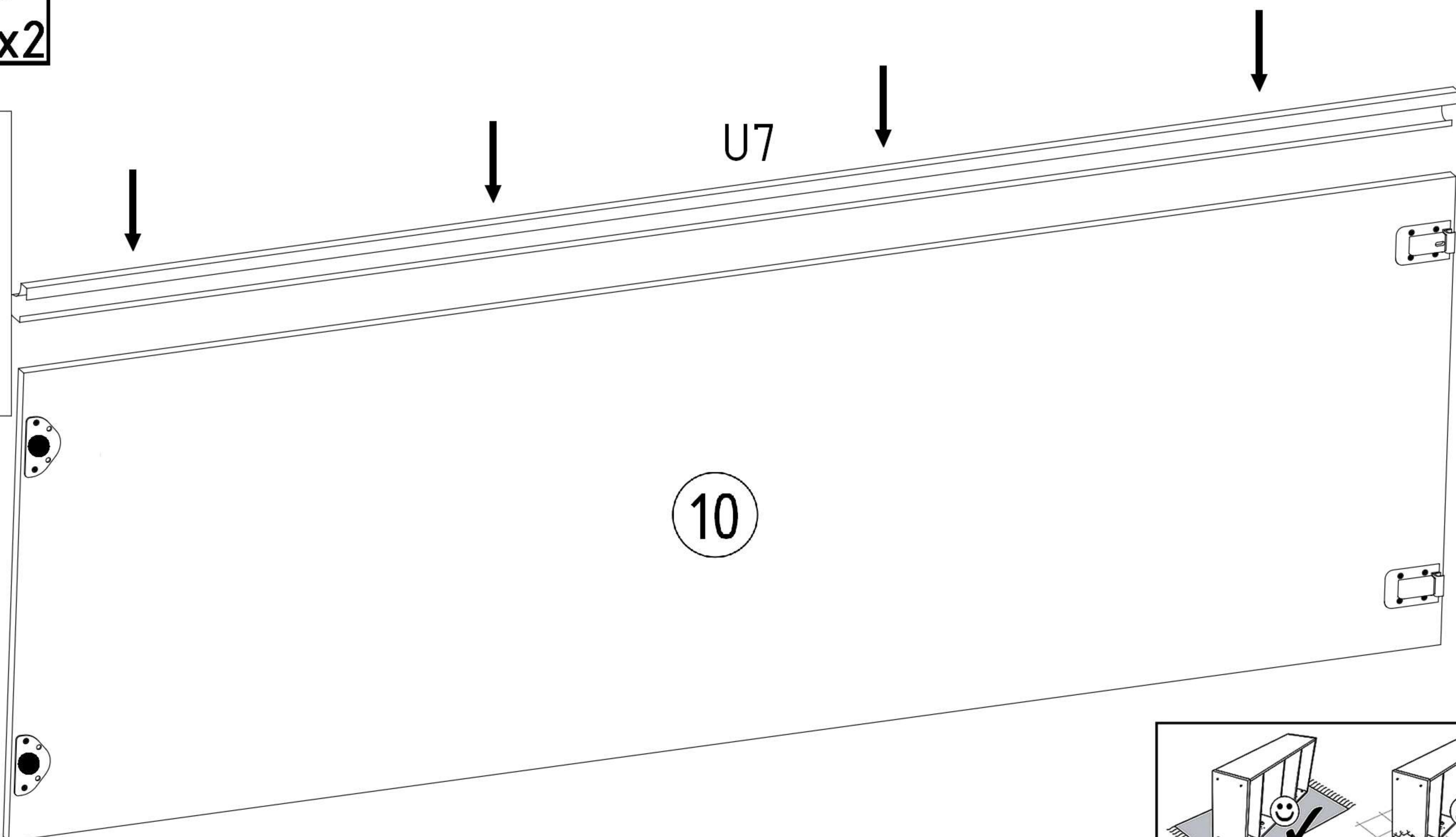
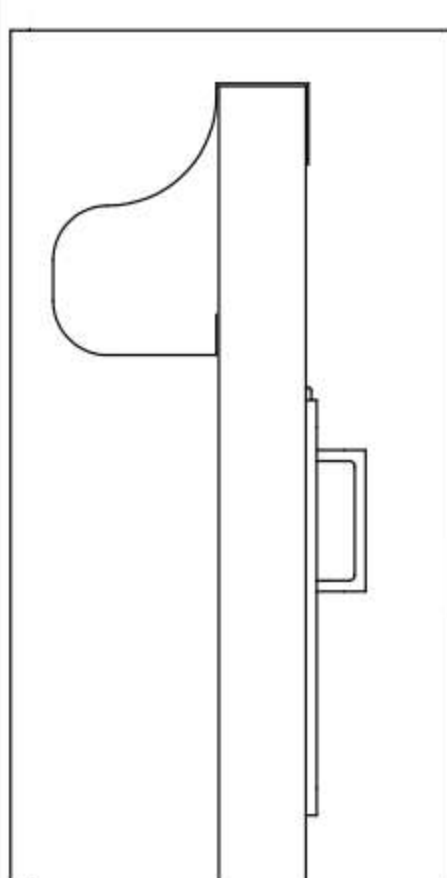
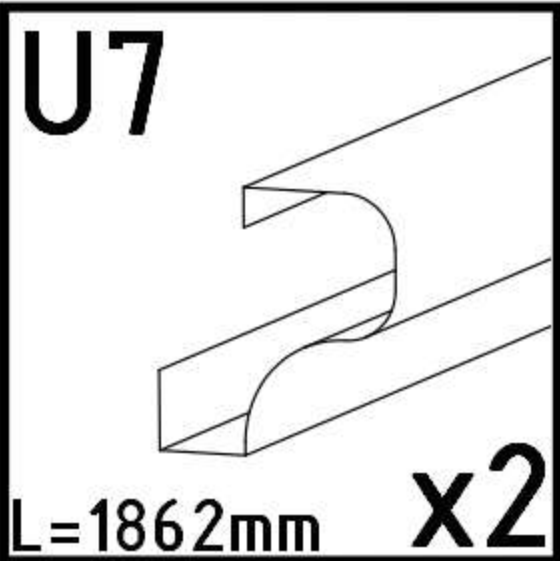
11

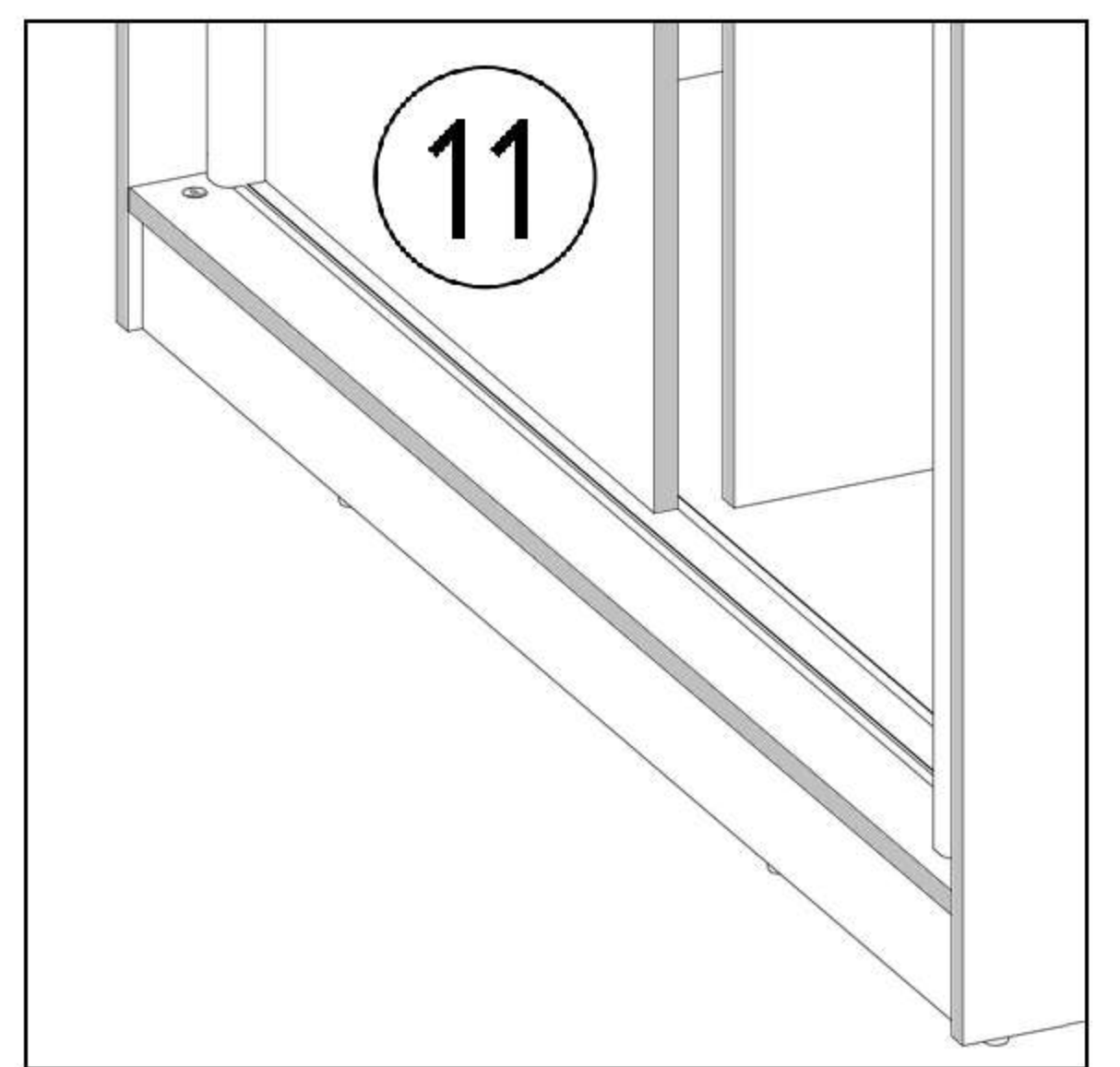
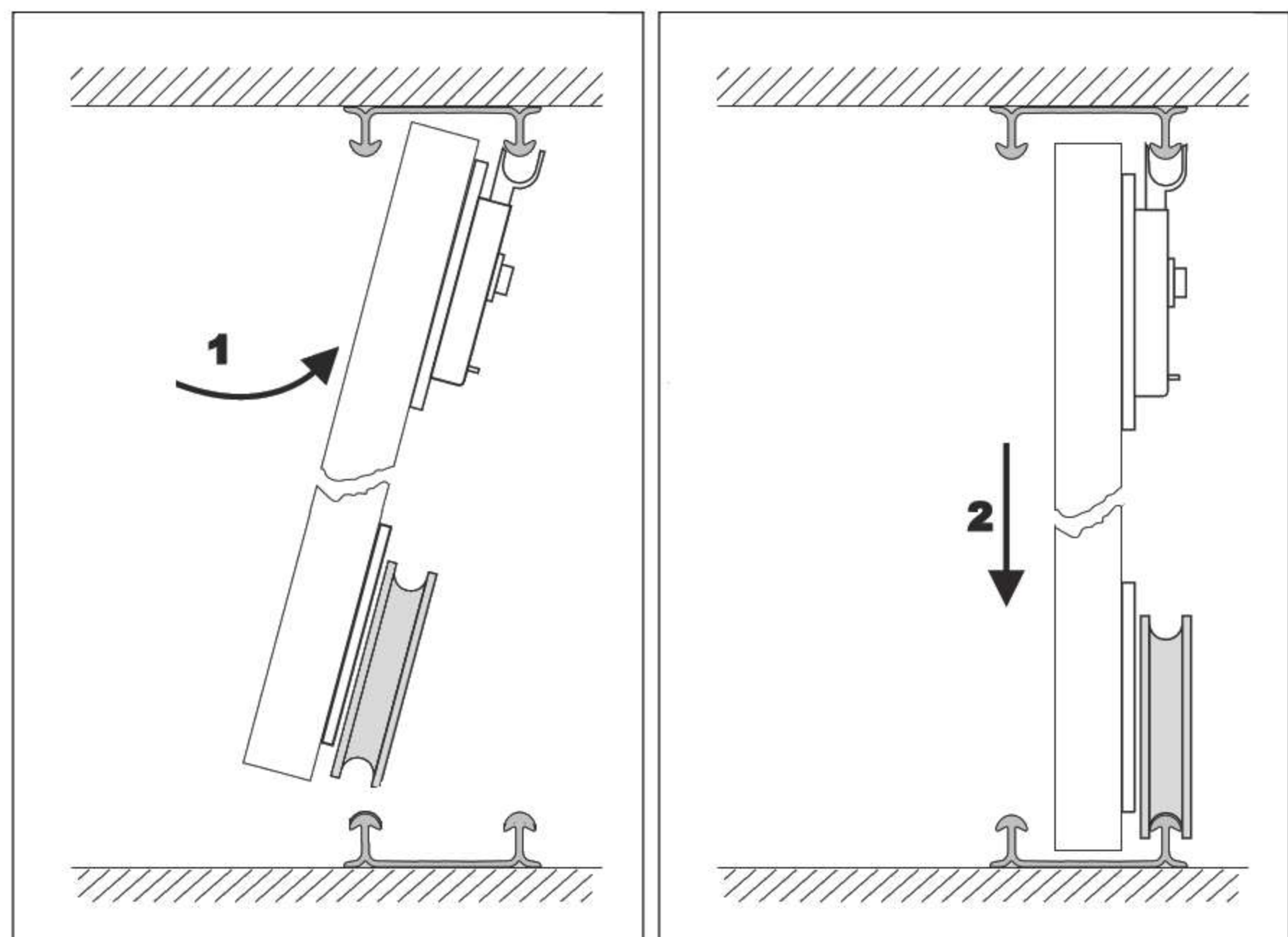
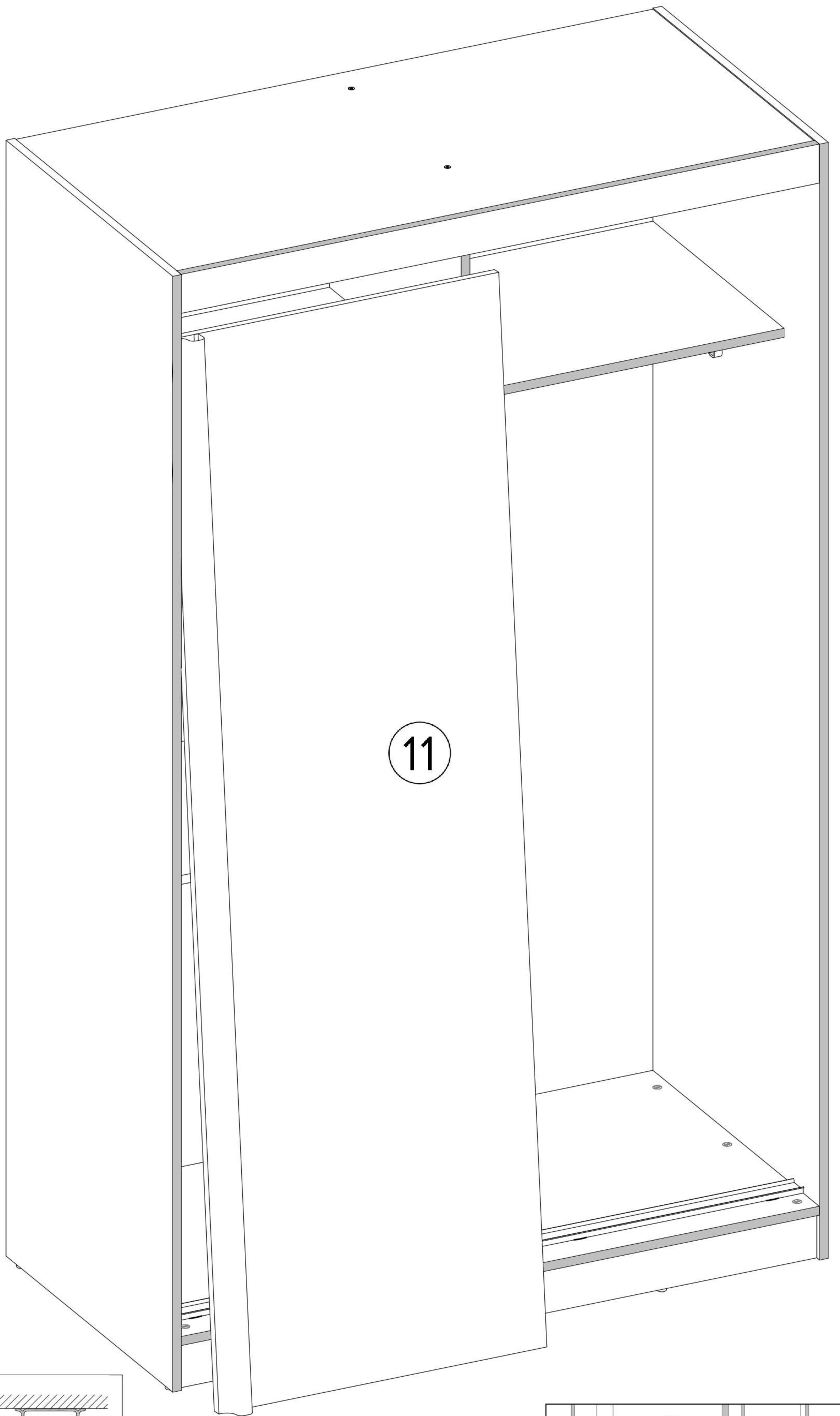
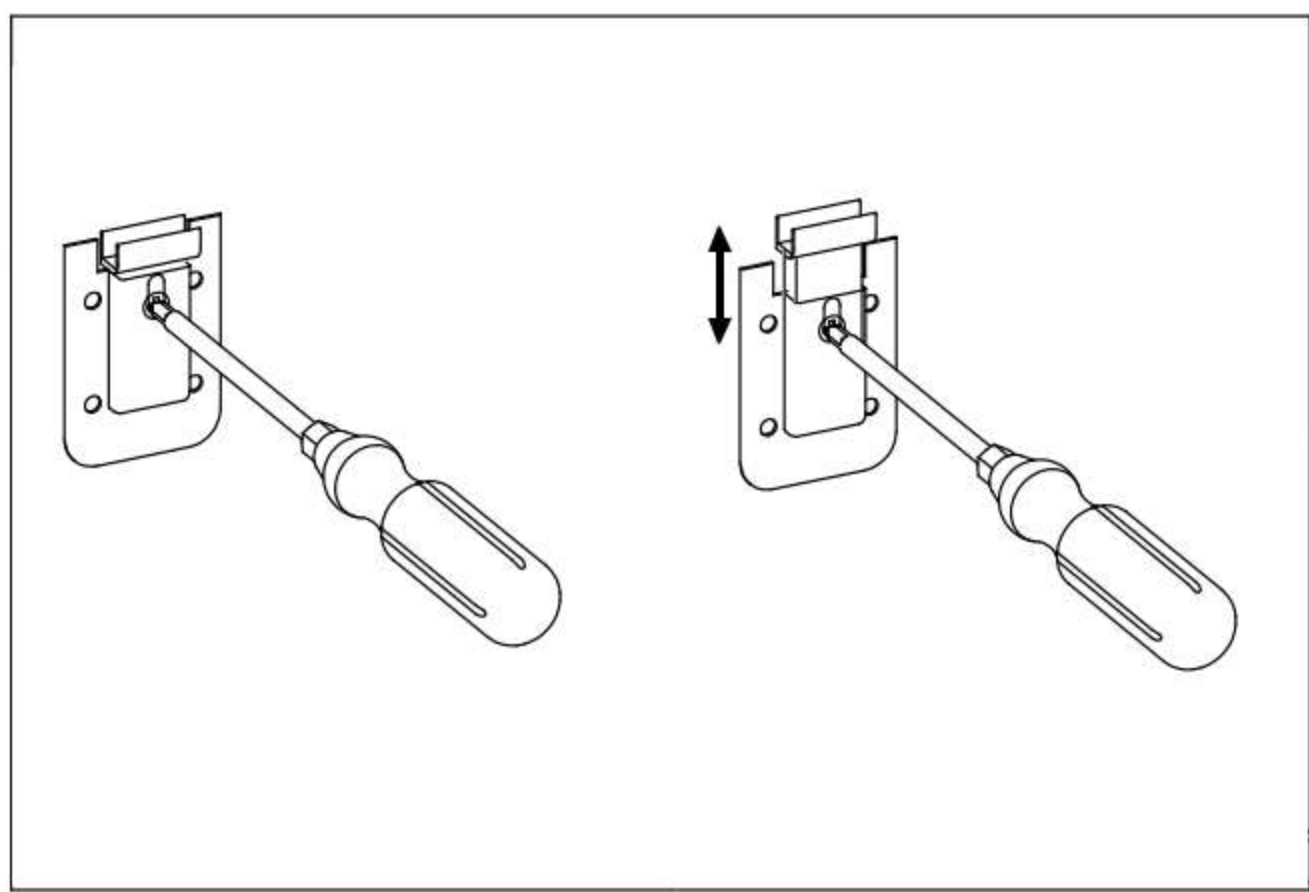


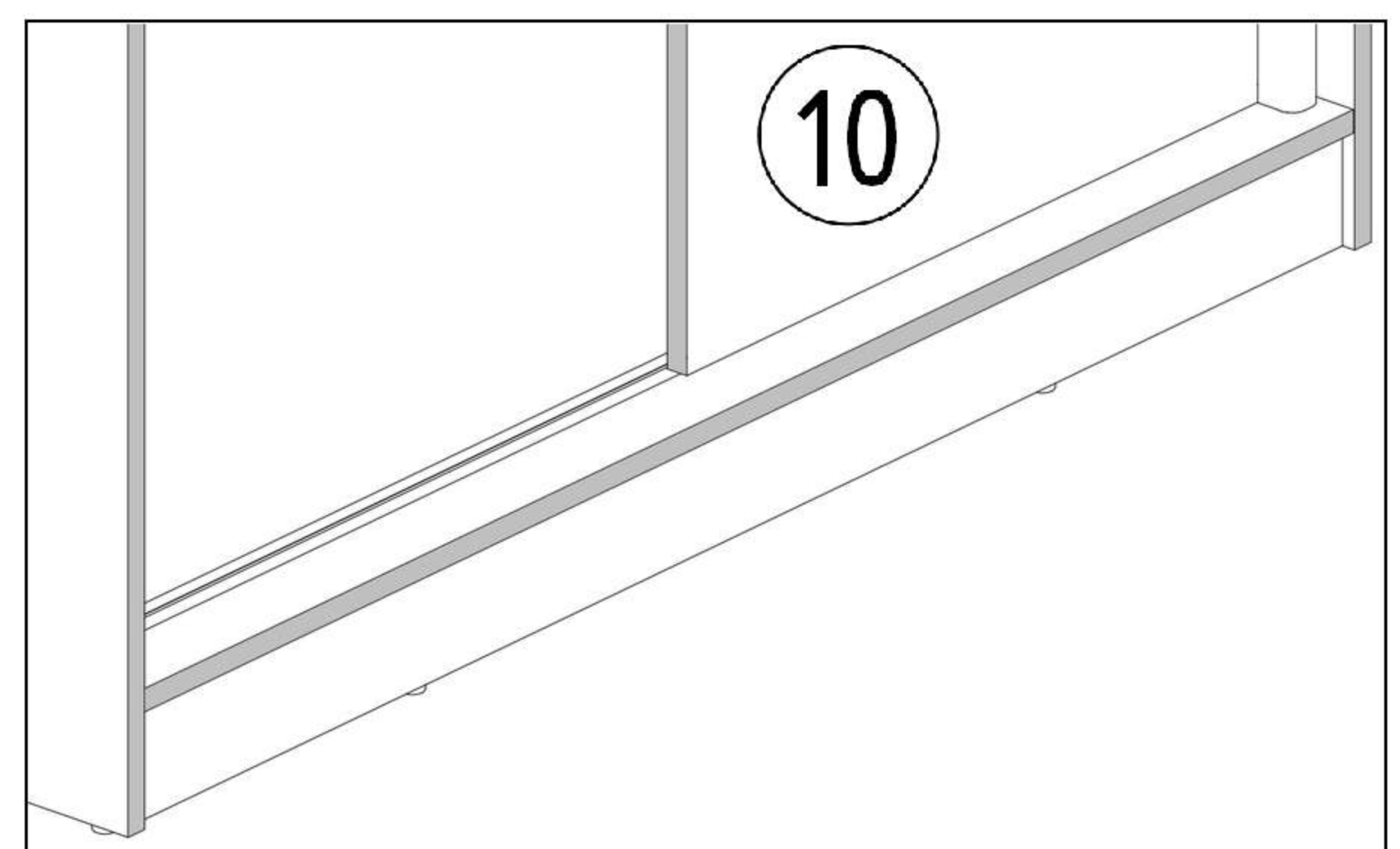
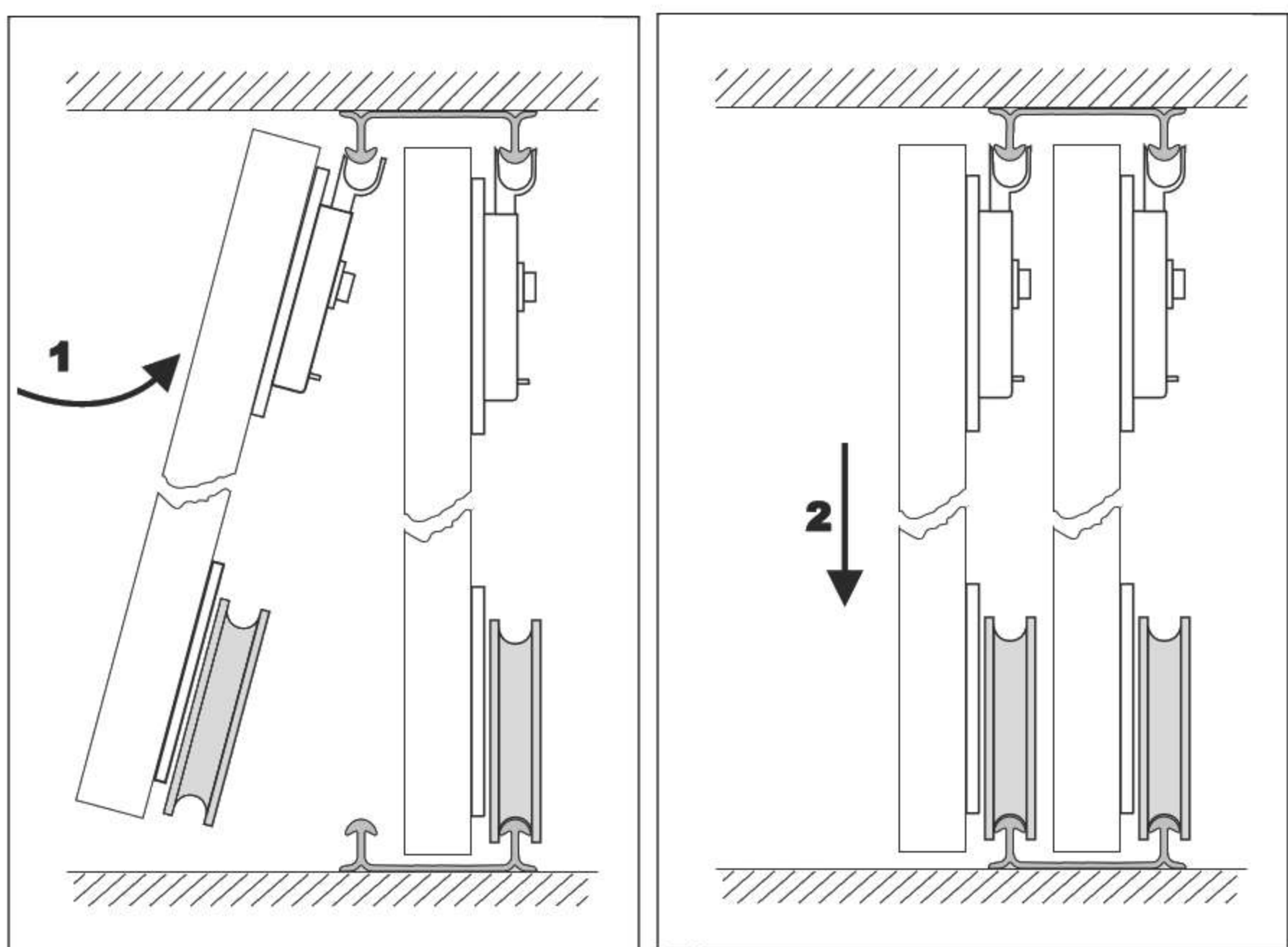
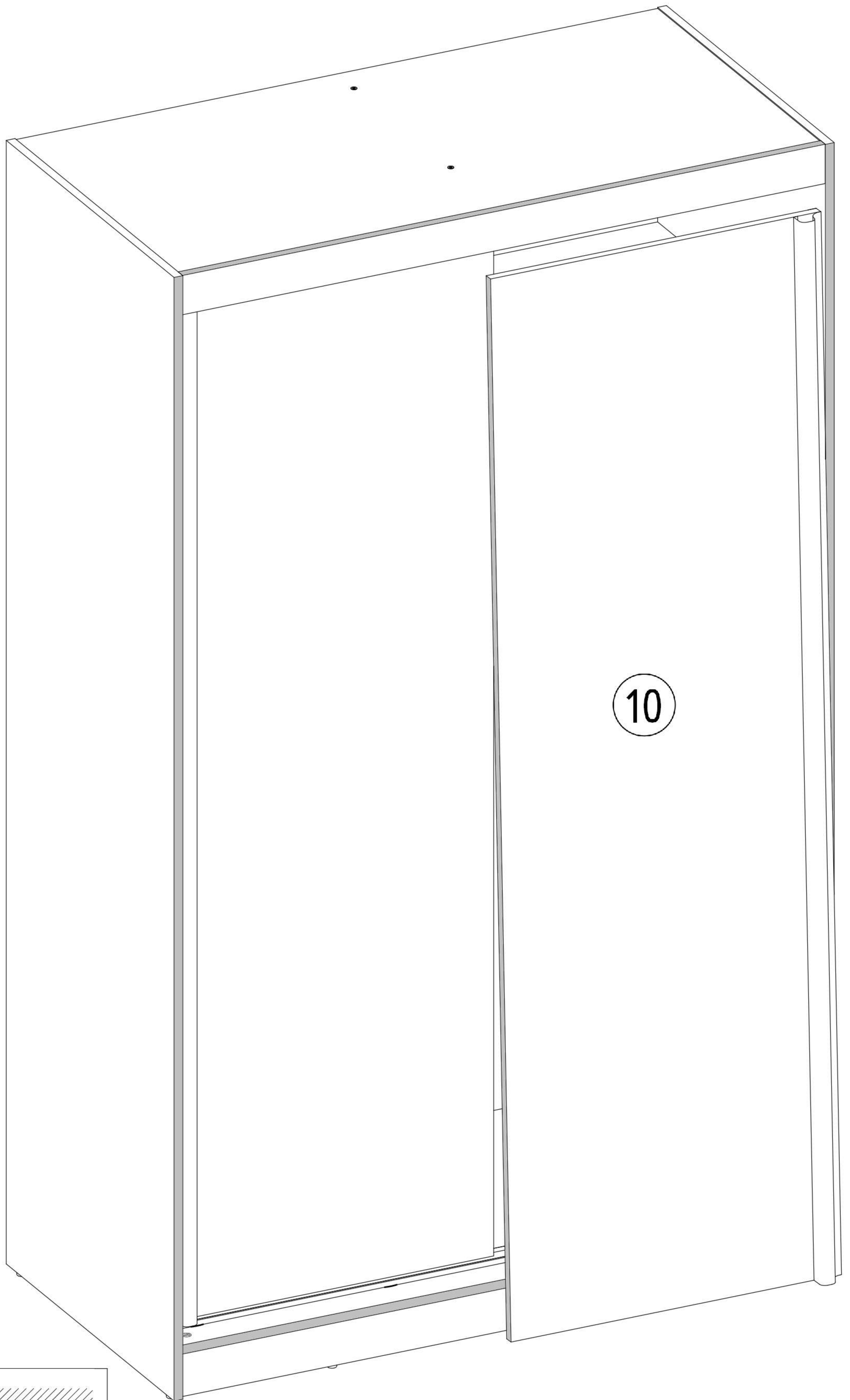
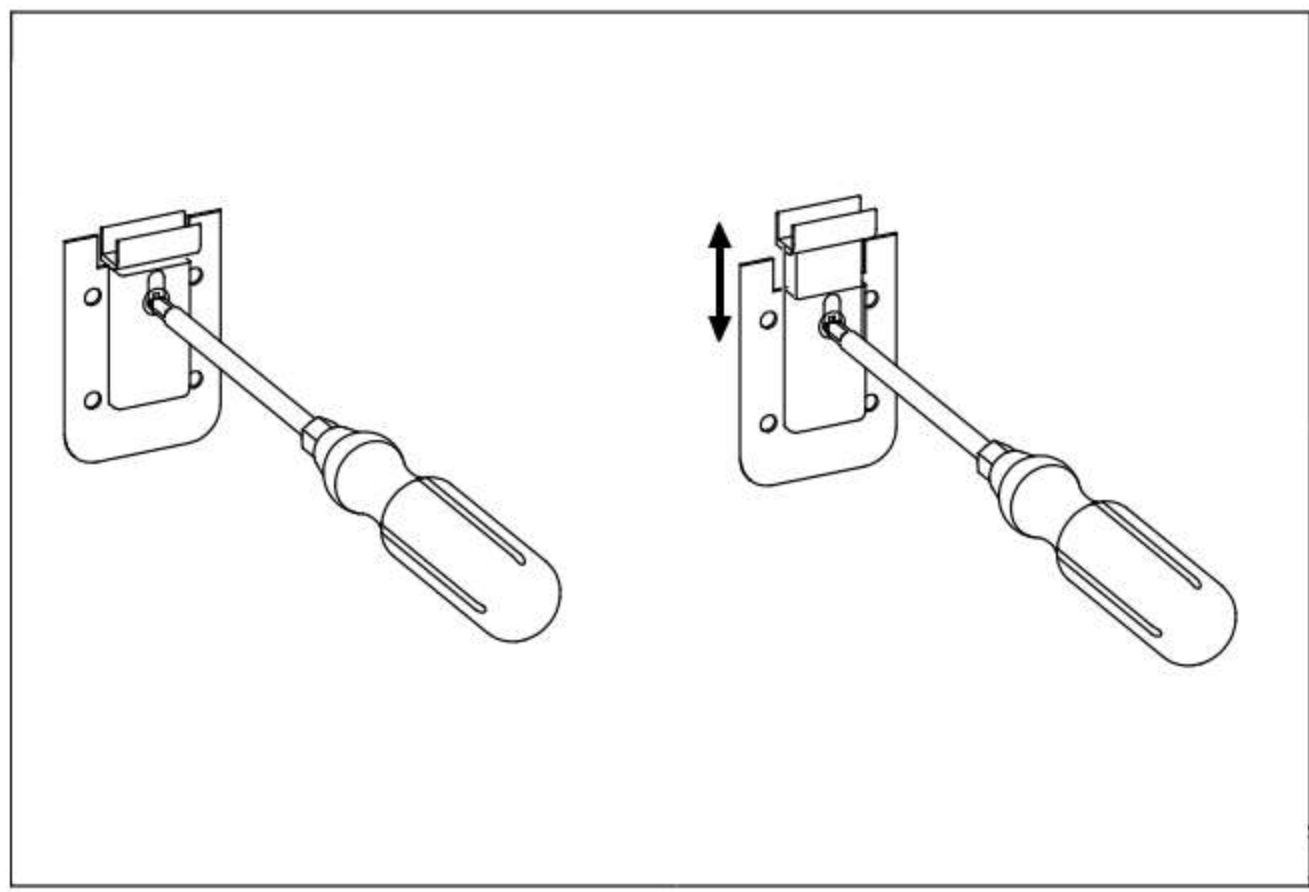
10



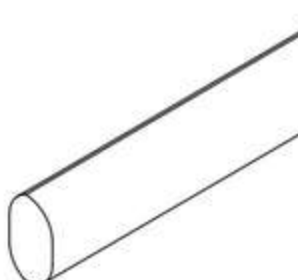
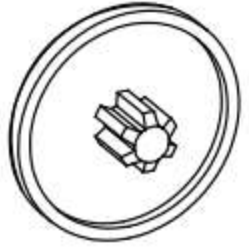


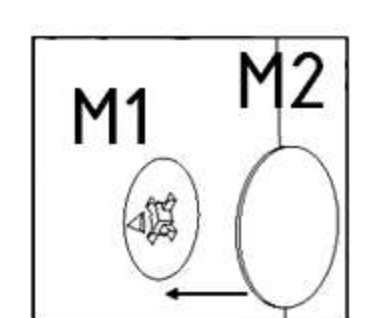
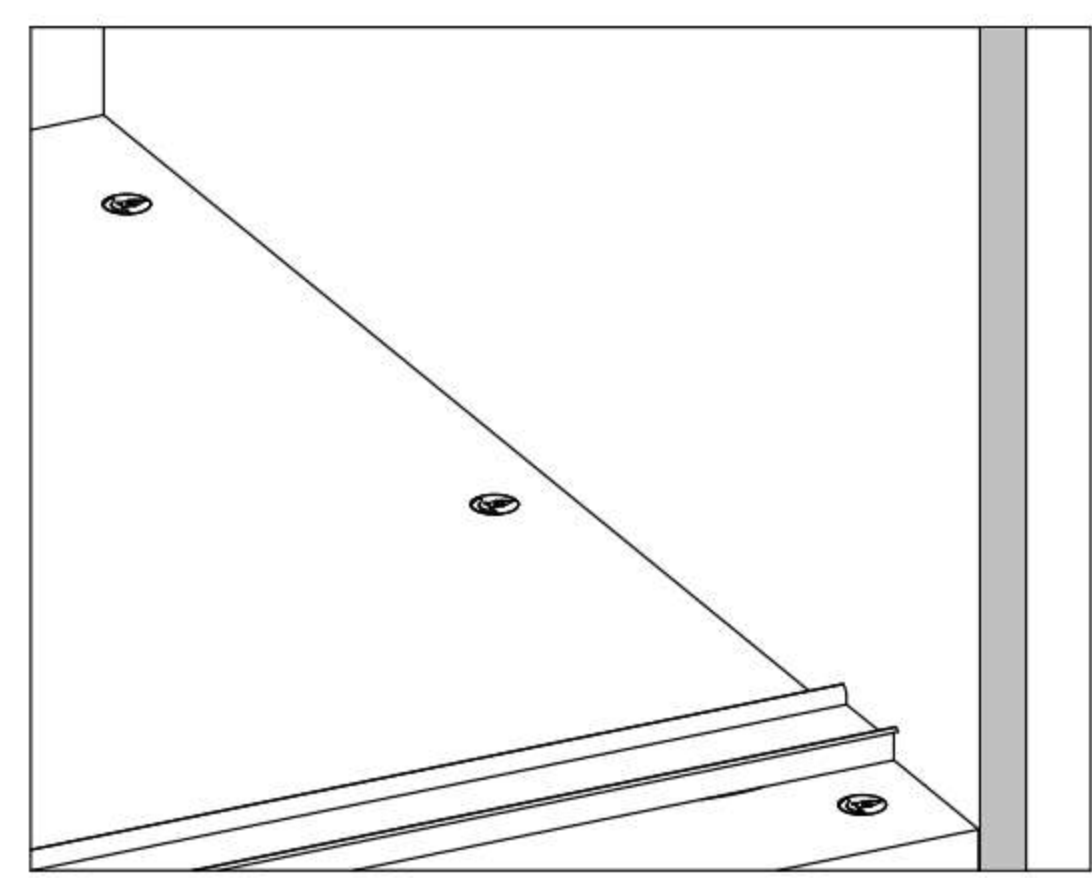
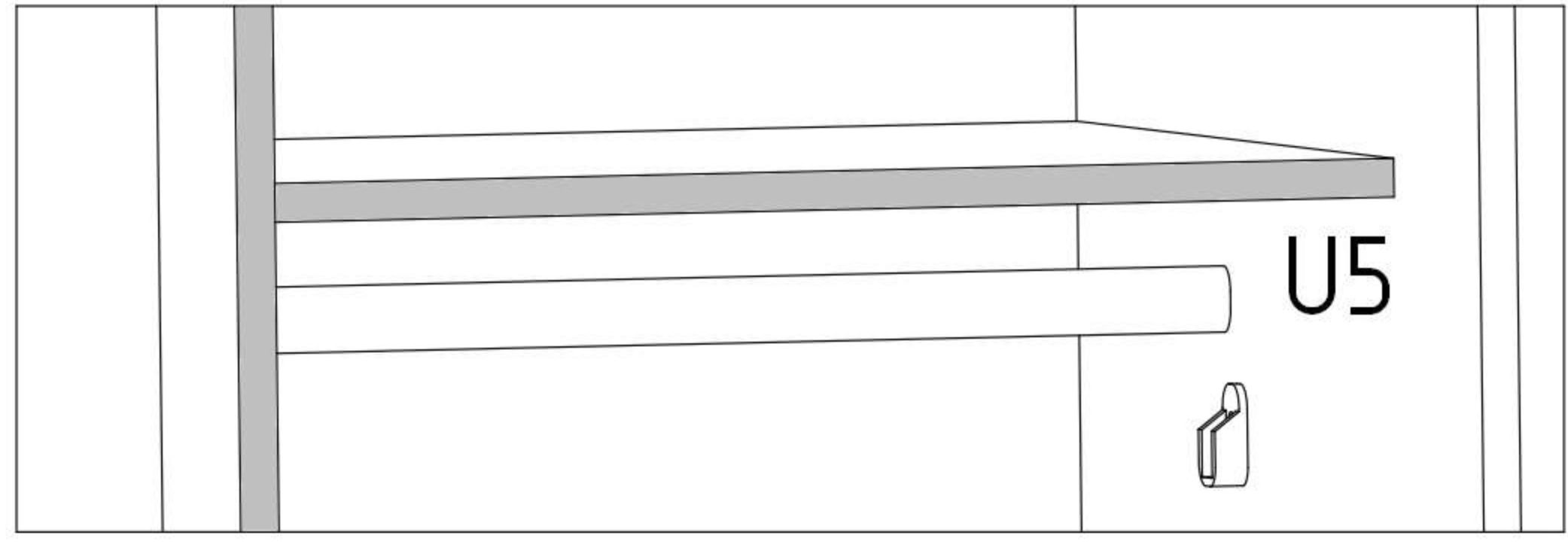
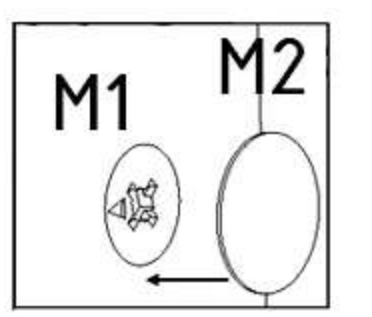
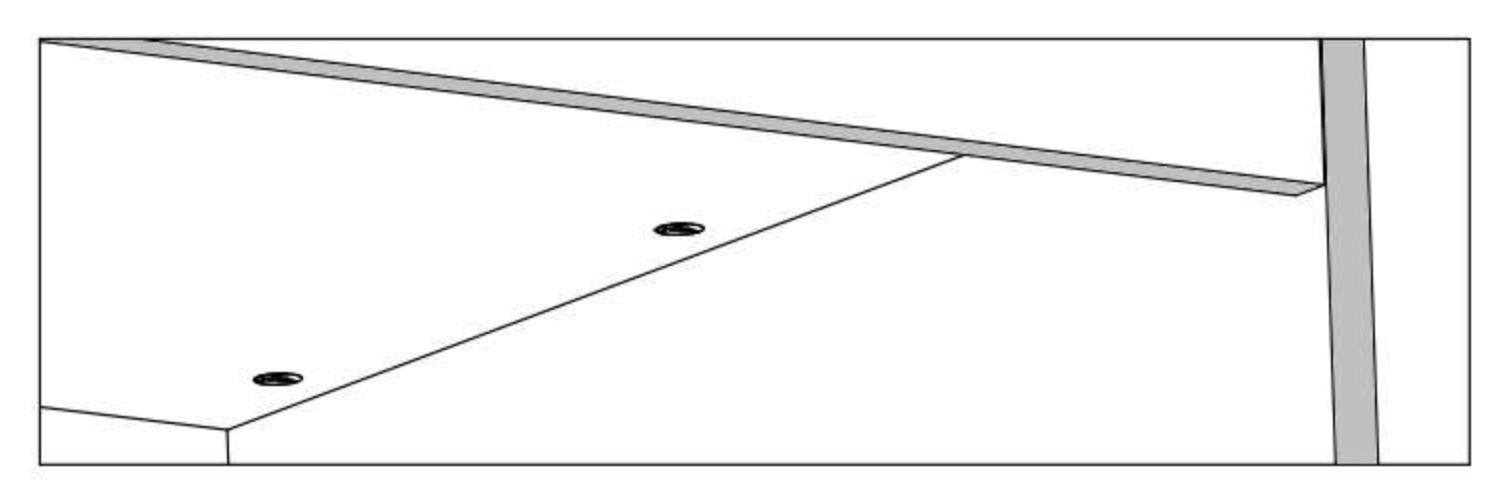
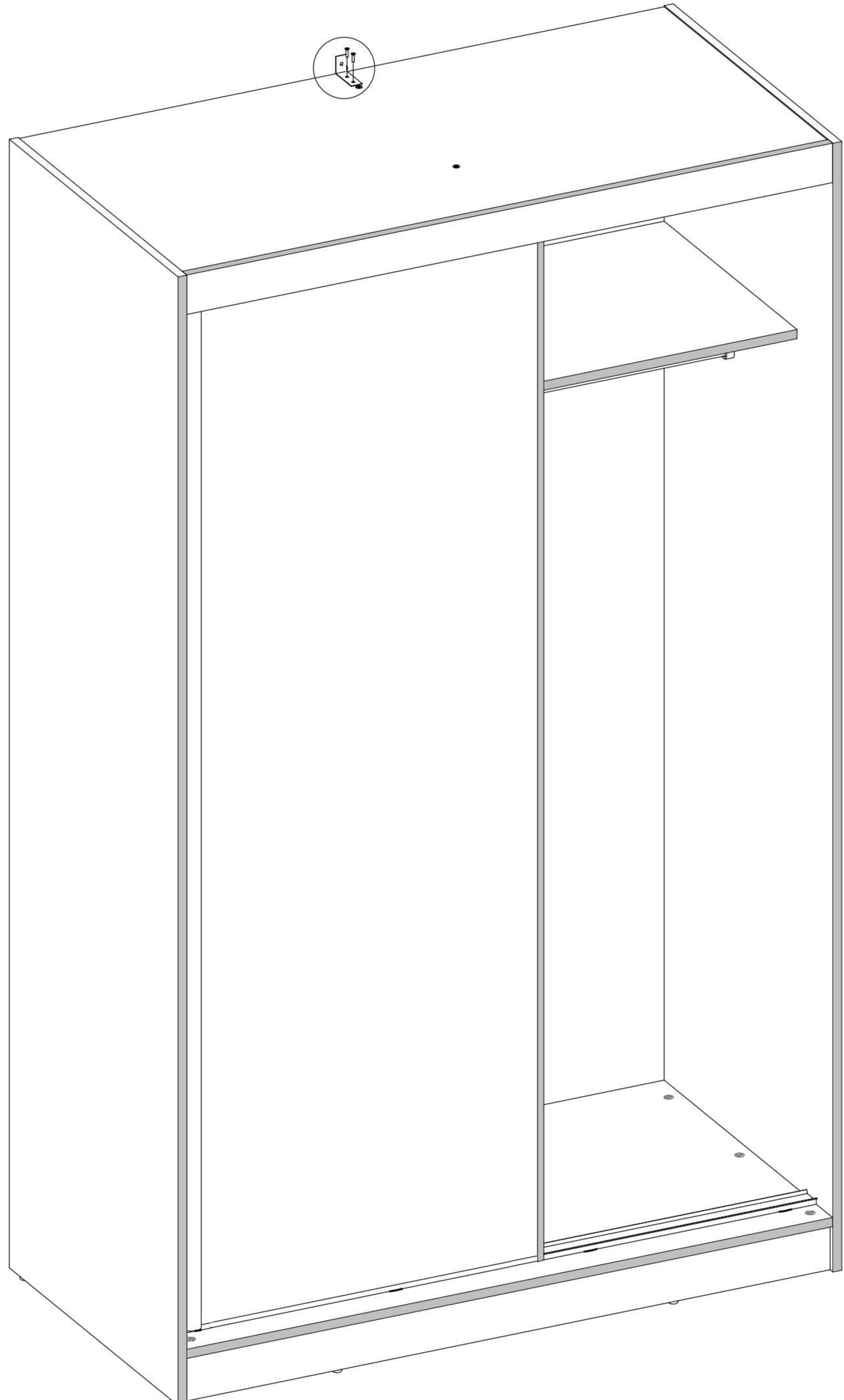
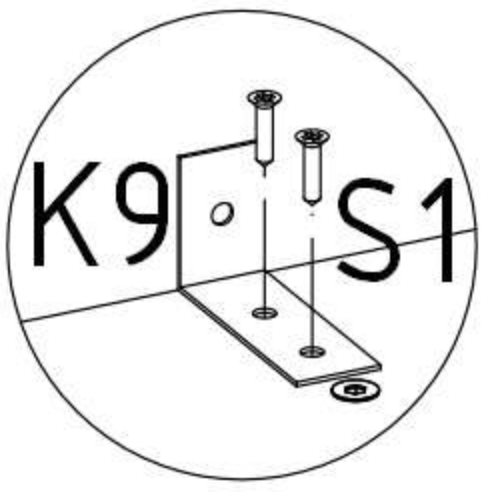
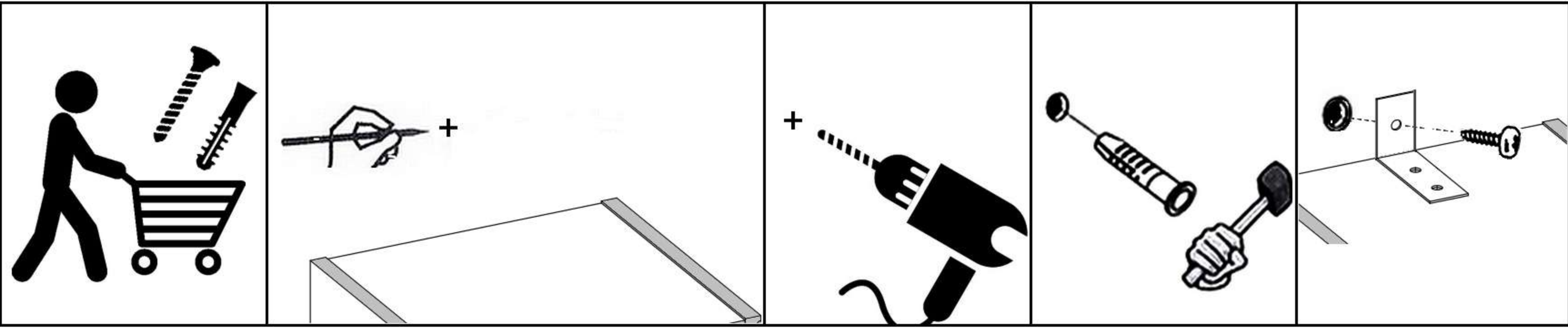




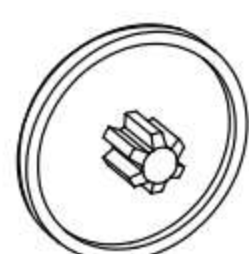




<p>K9</p>  <p>x1</p>	<p>S1</p>  <p>x2</p>	<p>U5</p>  <p>x1</p>	<p>M2</p>  <p>x5</p>
---	---	--	---



M2



x5

