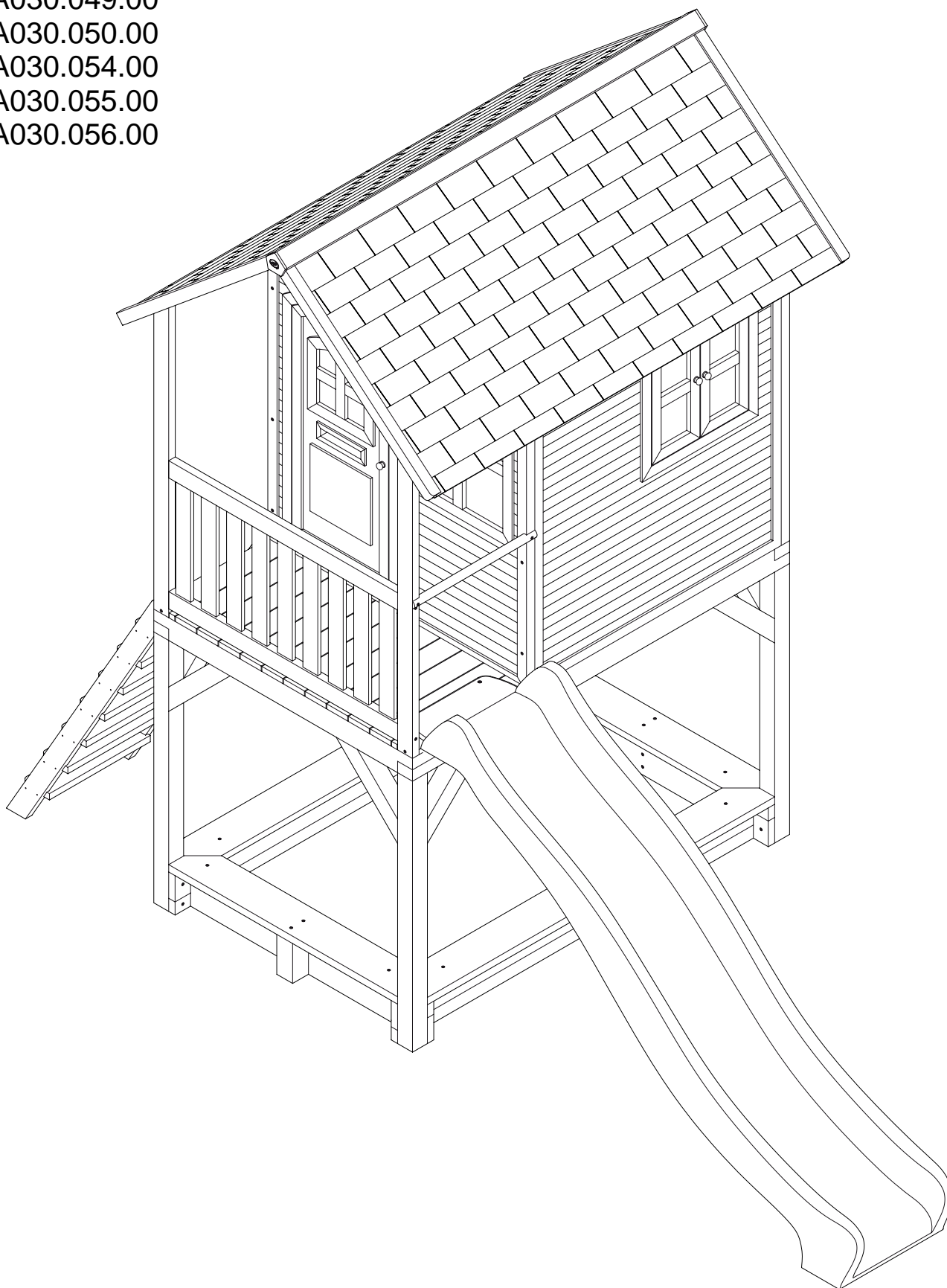
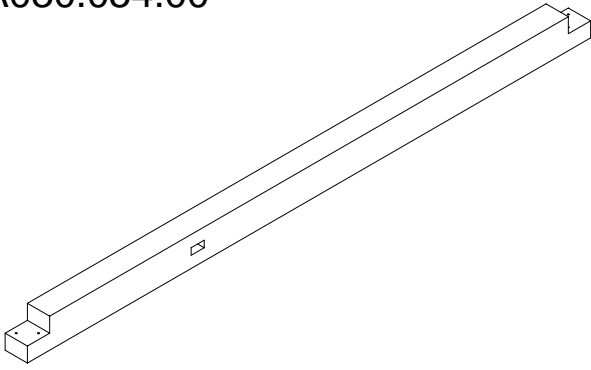


- A030.033.00
- A030.046.00
- A030.047.00
- A030.049.00
- A030.050.00
- A030.054.00
- A030.055.00
- A030.056.00

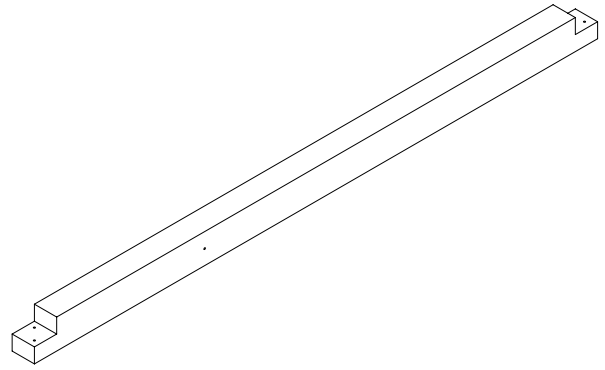




A030.054.00



2



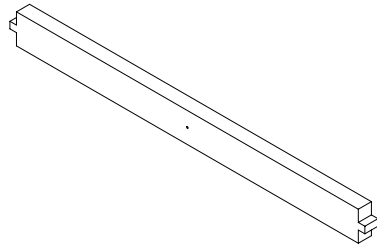
3



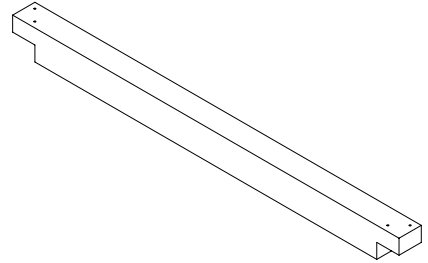
1

4x

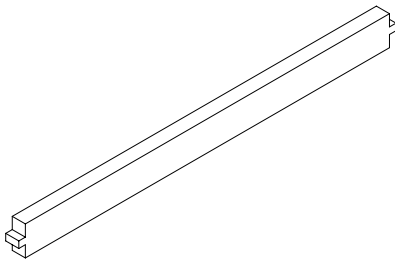
4



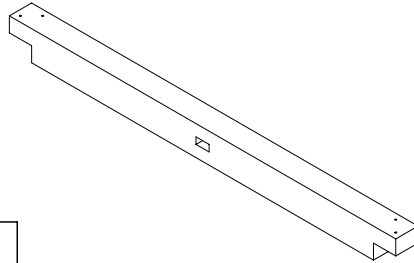
5



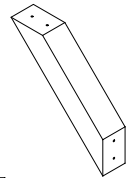
6



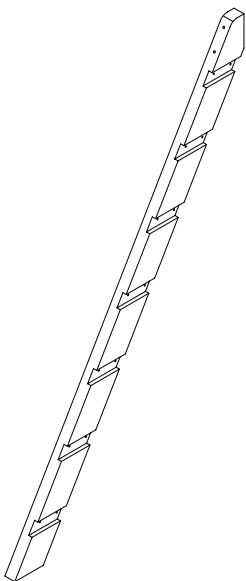
7



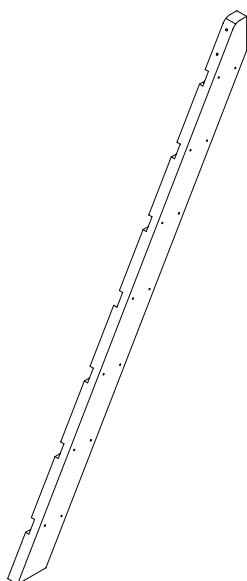
8



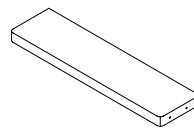
8x



27



28

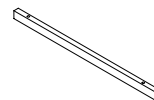
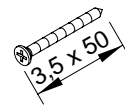


29

7x

s1

36x

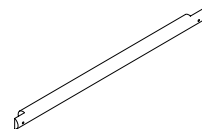
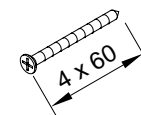


30

sx

s2

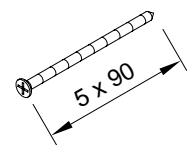
34x



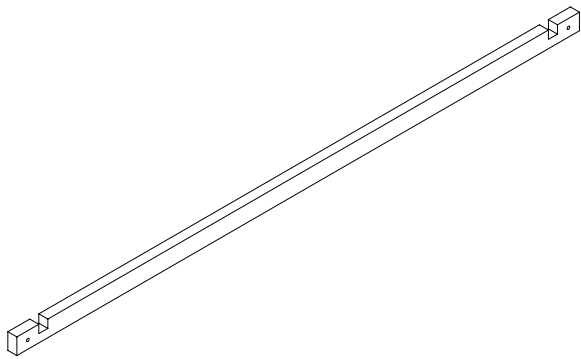
31

s5

24x

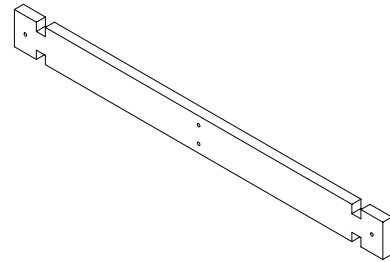


A030.055.00



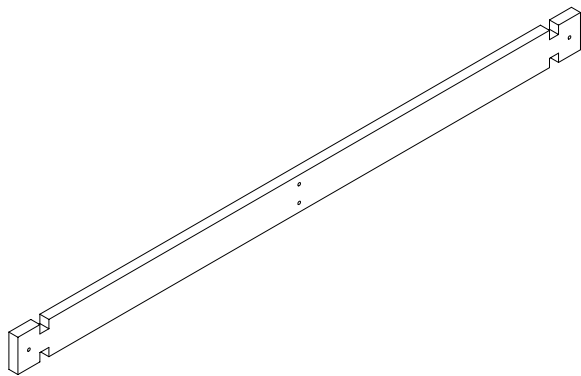
9

2x



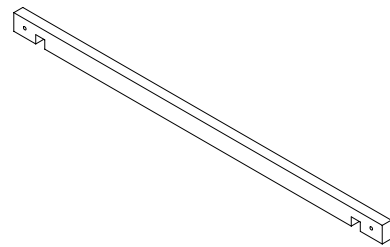
10

2x



11

2x



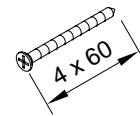
12

2x



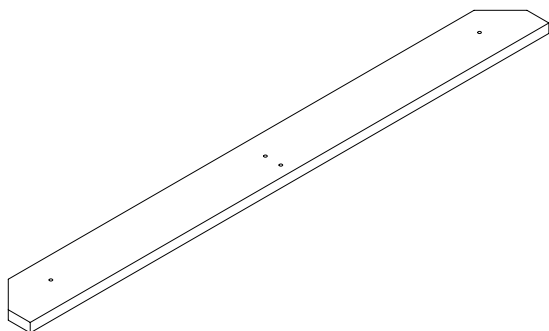
13

4x



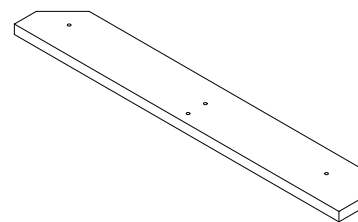
s2

40x



14

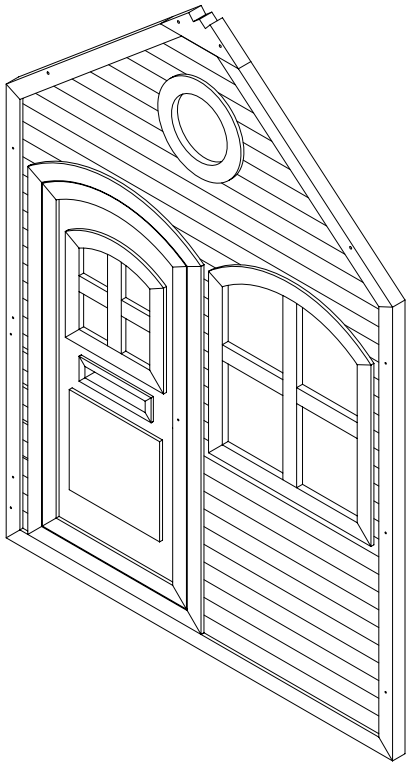
2x



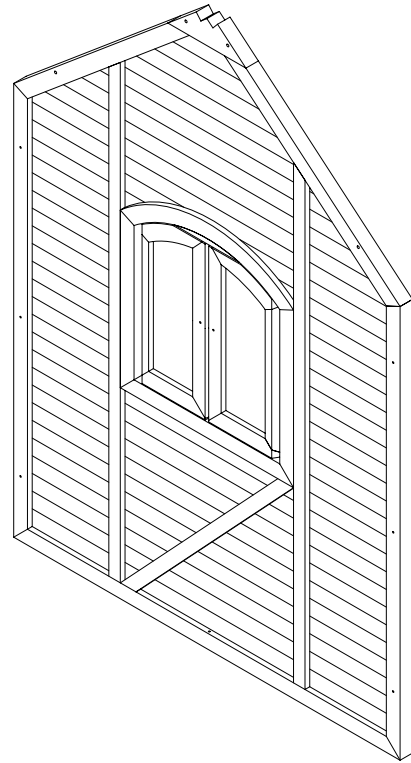
15

2x

A030.046.00



16



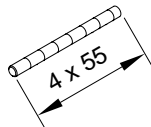
18



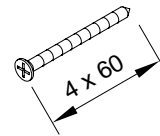
19

14x

t1



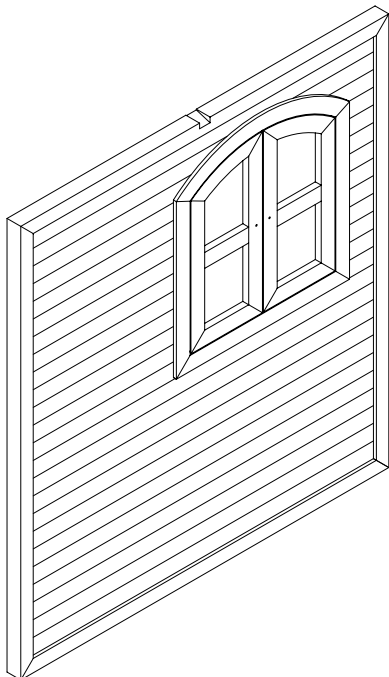
7x



s2

16x

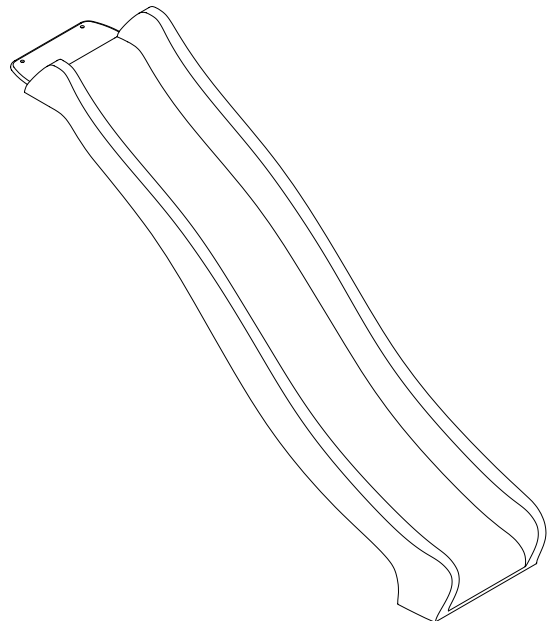
A030.047.00



17

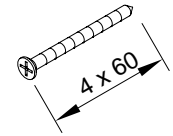
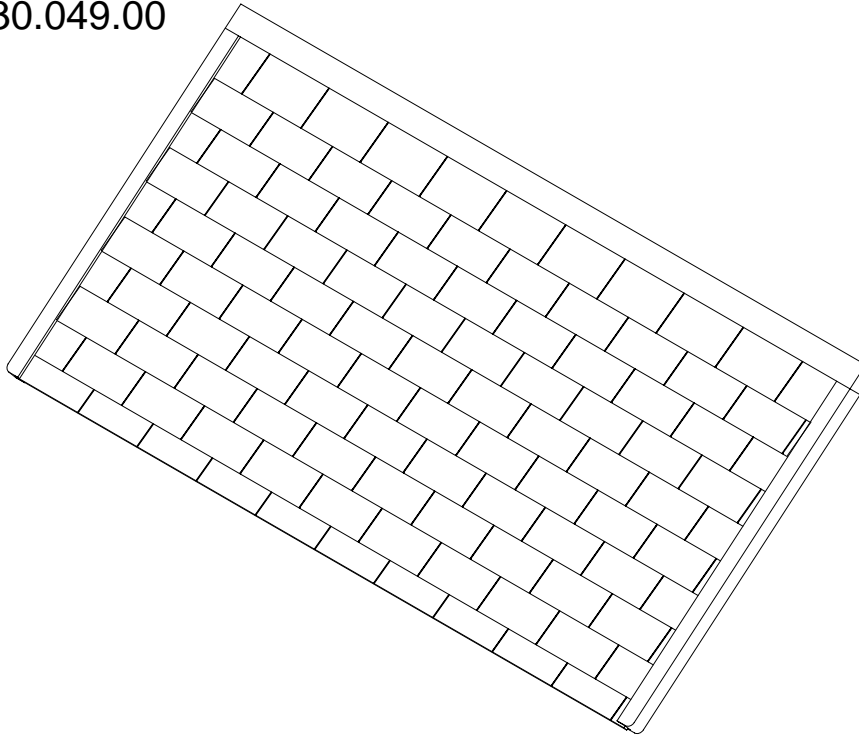
2x

A030.033.00



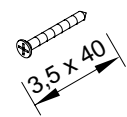
32

A030.049.00



s2

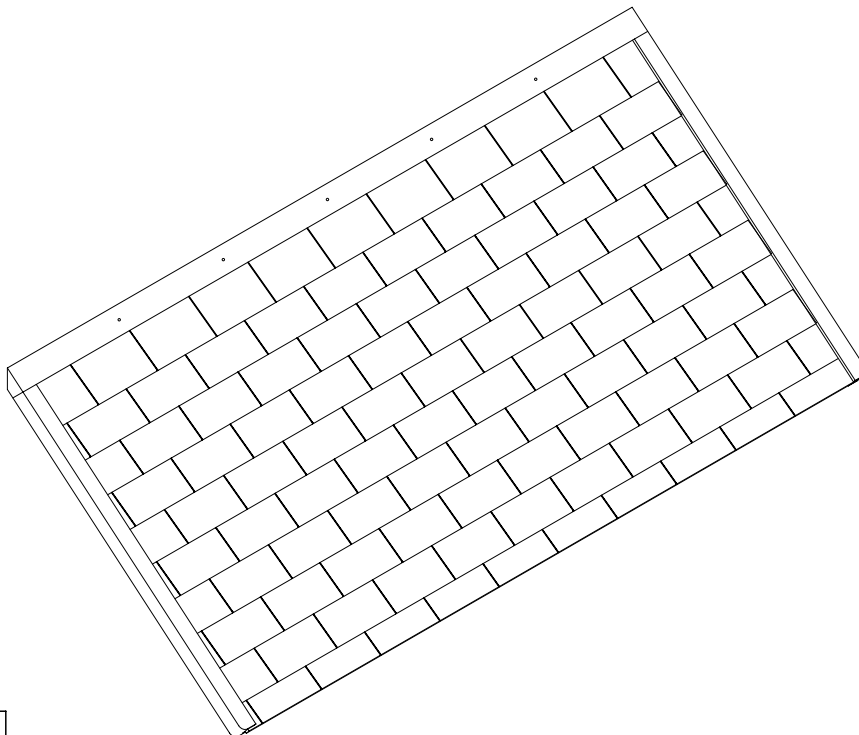
8x



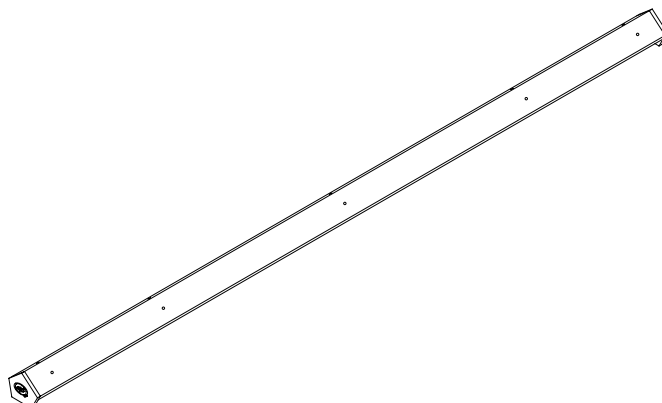
s3

15x


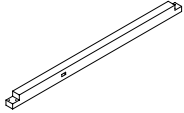
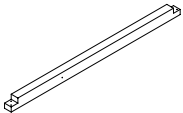
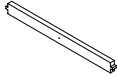
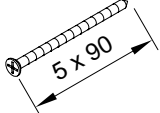
22



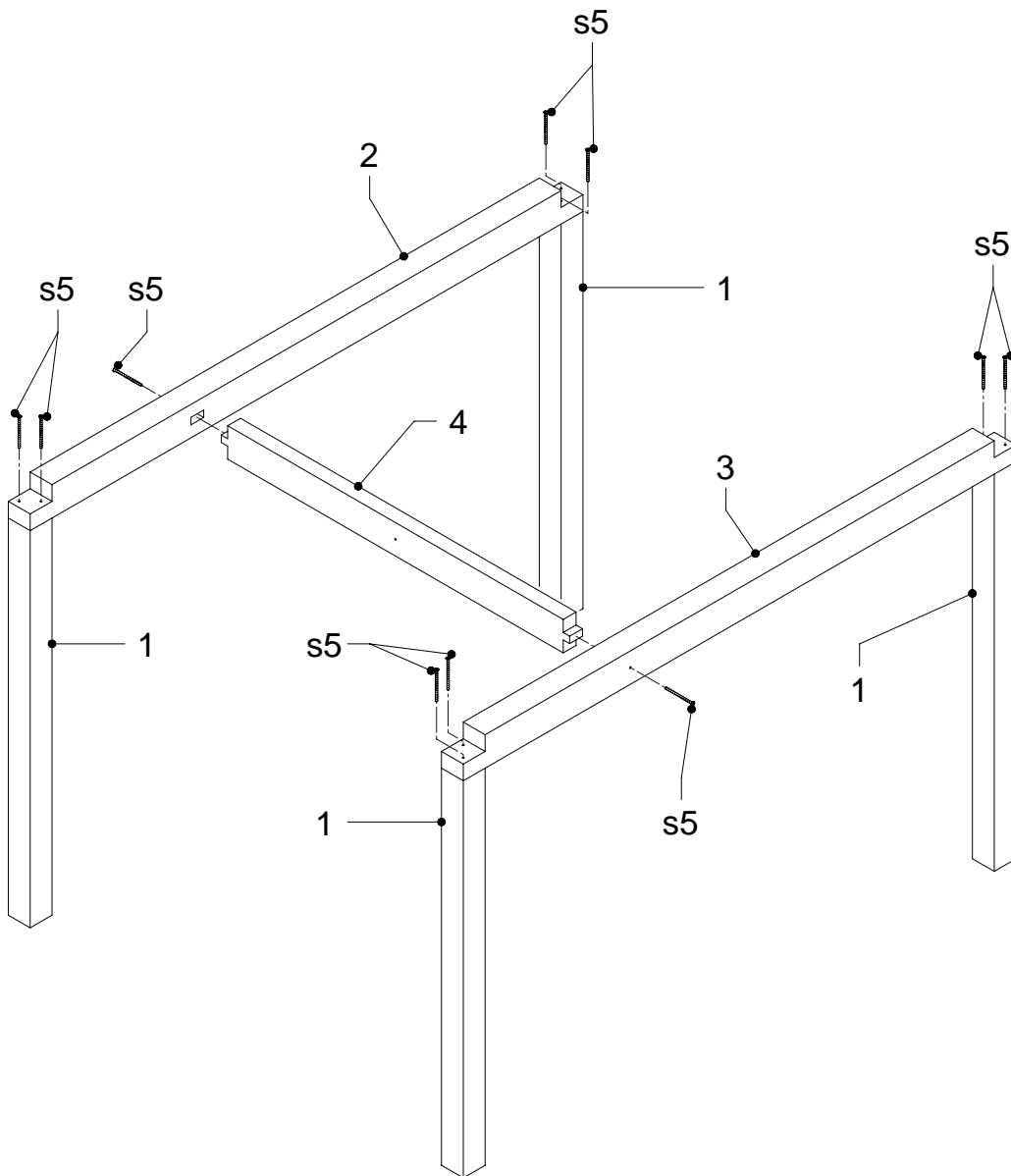
23



24

						
1	4x	2	3	4	s5	10x

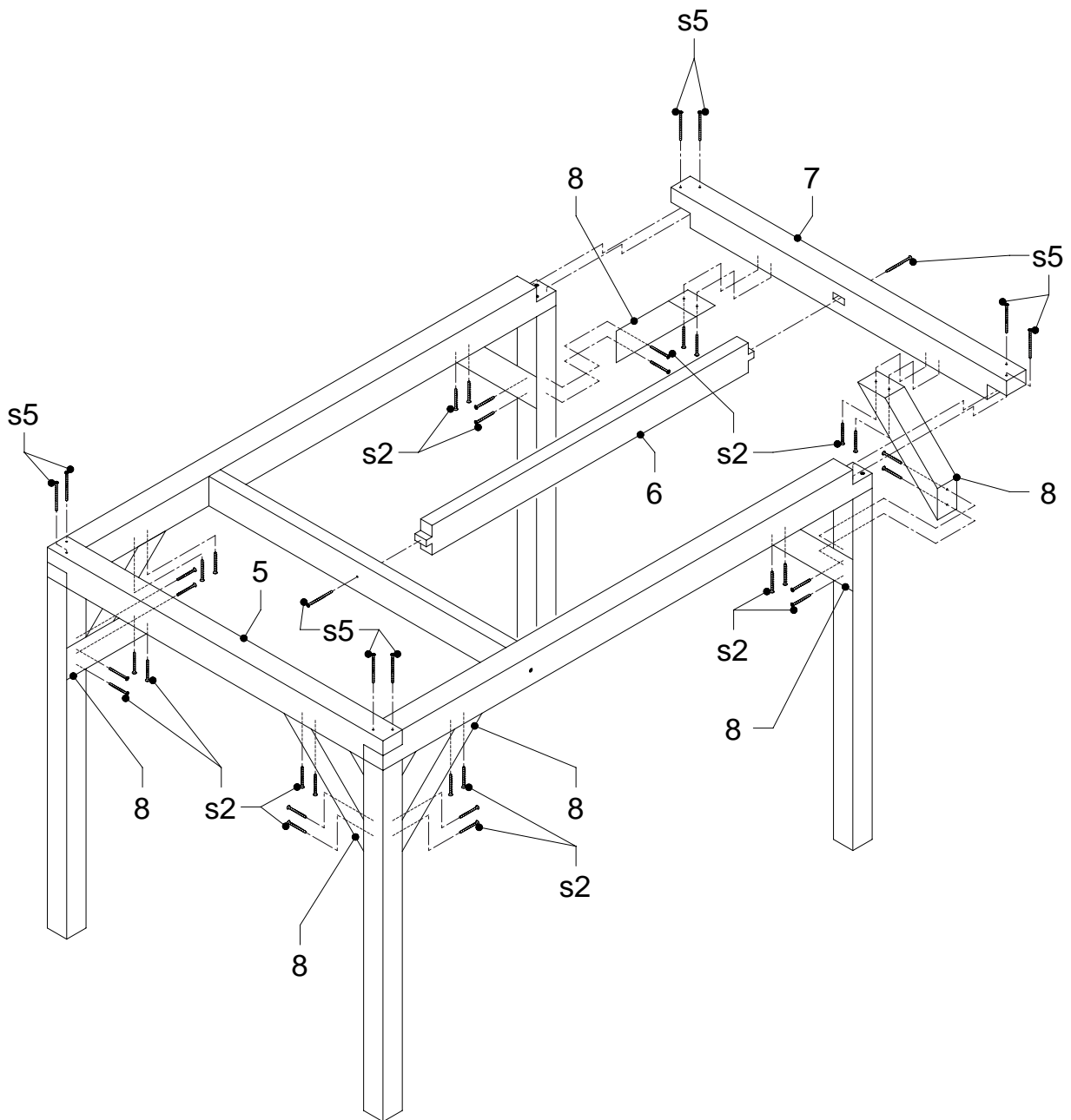
A030.054.00





5	6	7	8	8x s2	32x s5
					10x s5

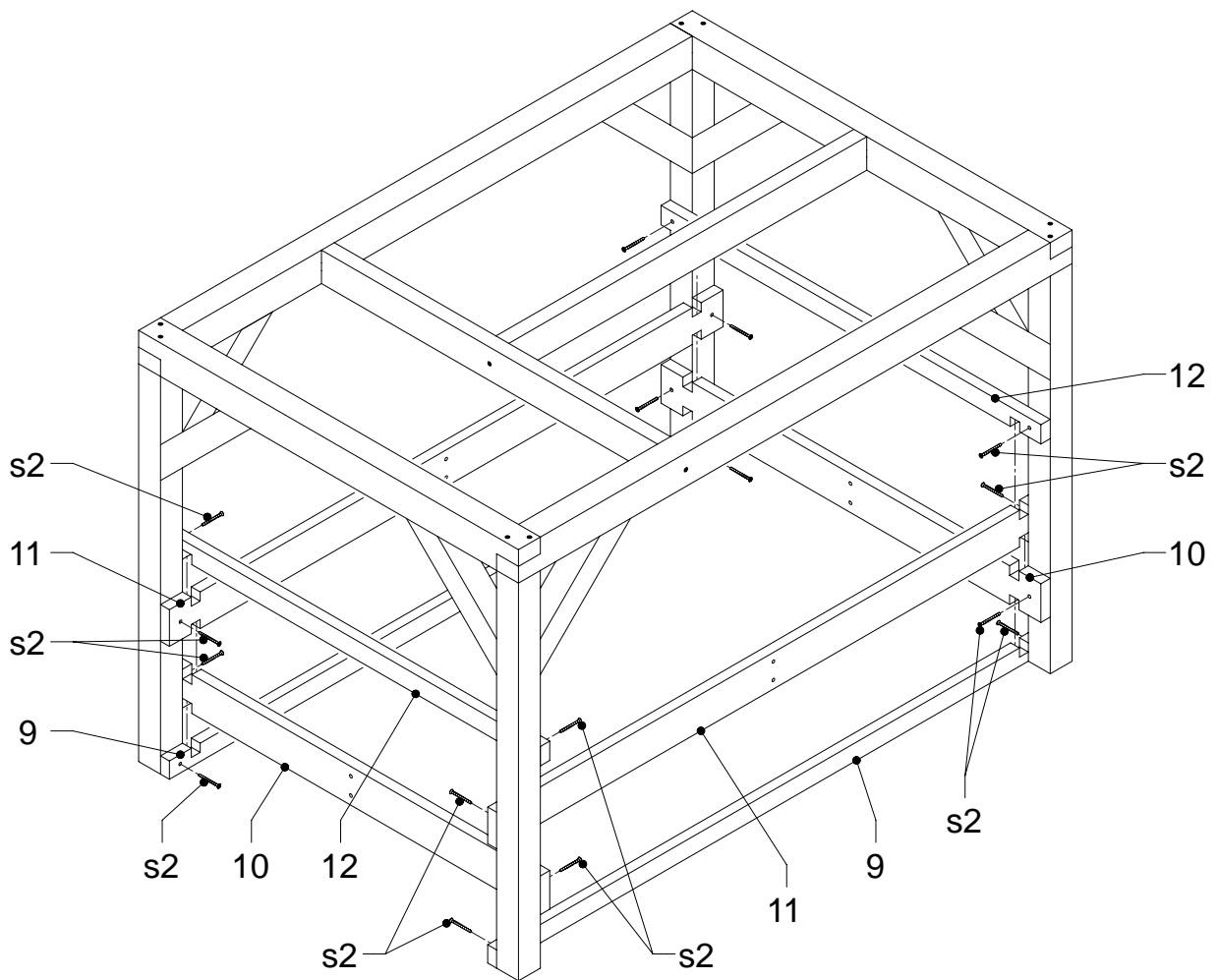
A030.054.00





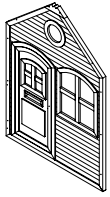
	2x		2x		2x		2x		16x
--	----	--	----	--	----	--	----	--	-----

A030.055.00

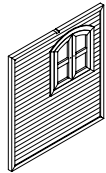




Sarah

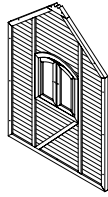


16



17

2x

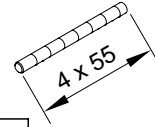


18



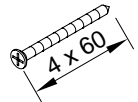
19

14x



t1

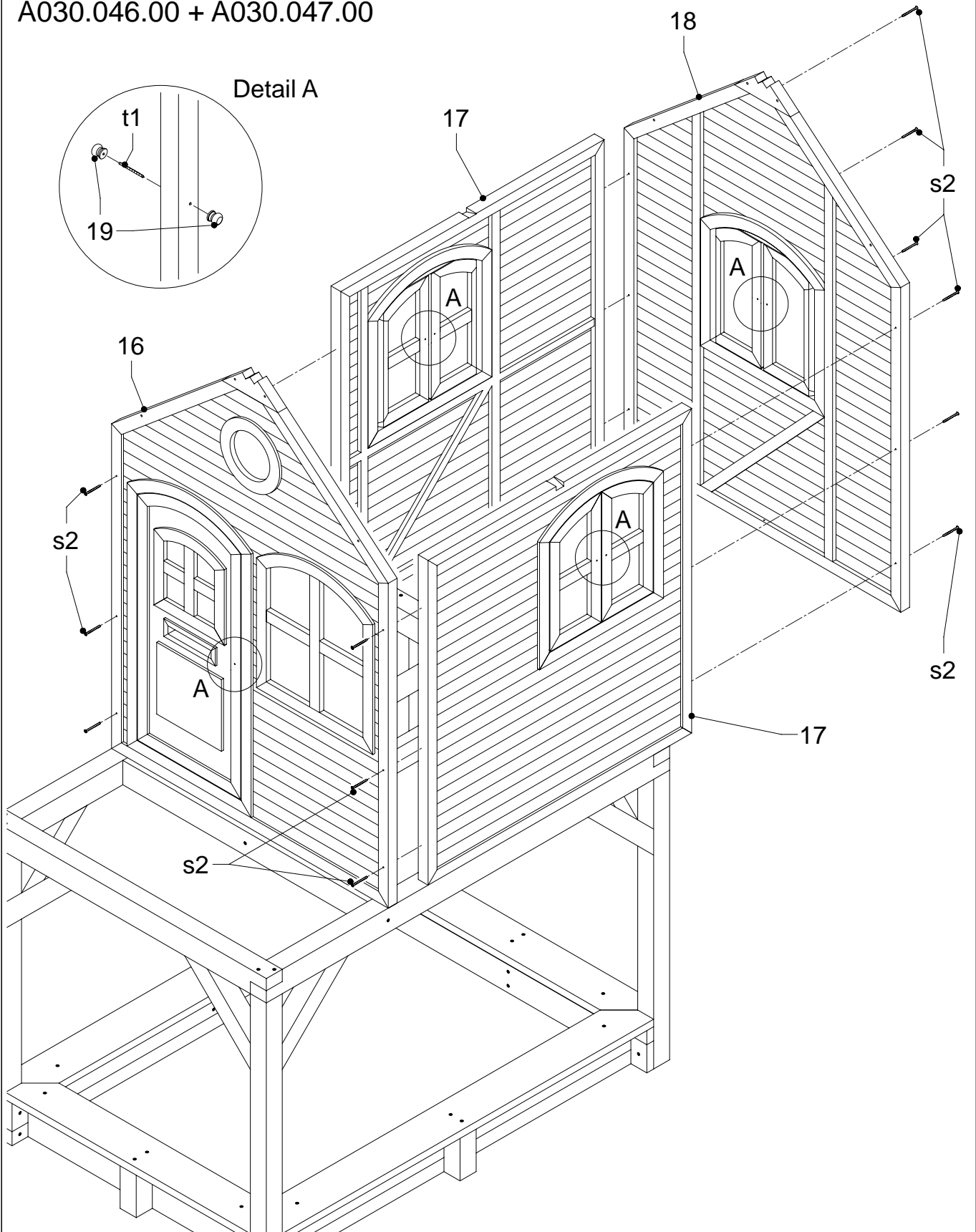
7x

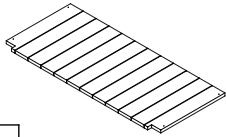


s2

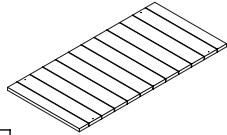
12x

A030.046.00 + A030.047.00





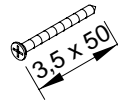
20



21

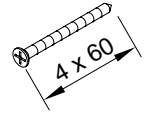
2x

s1



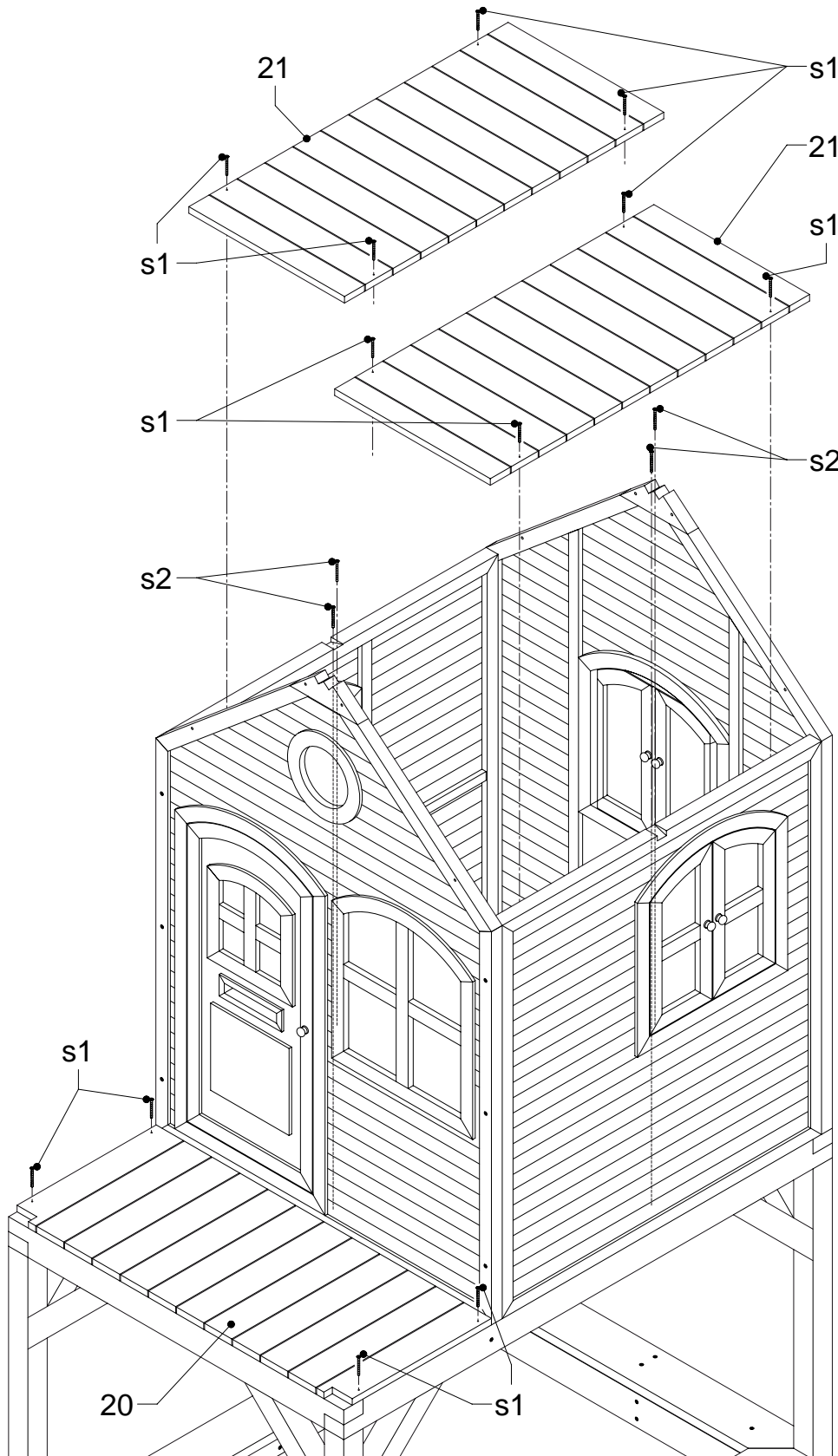
12x

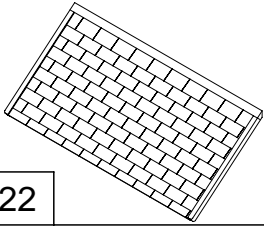
s2



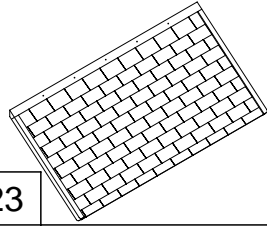
4x

A030.050.00

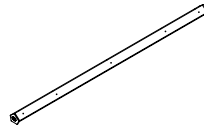




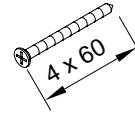
22



23



24



s2

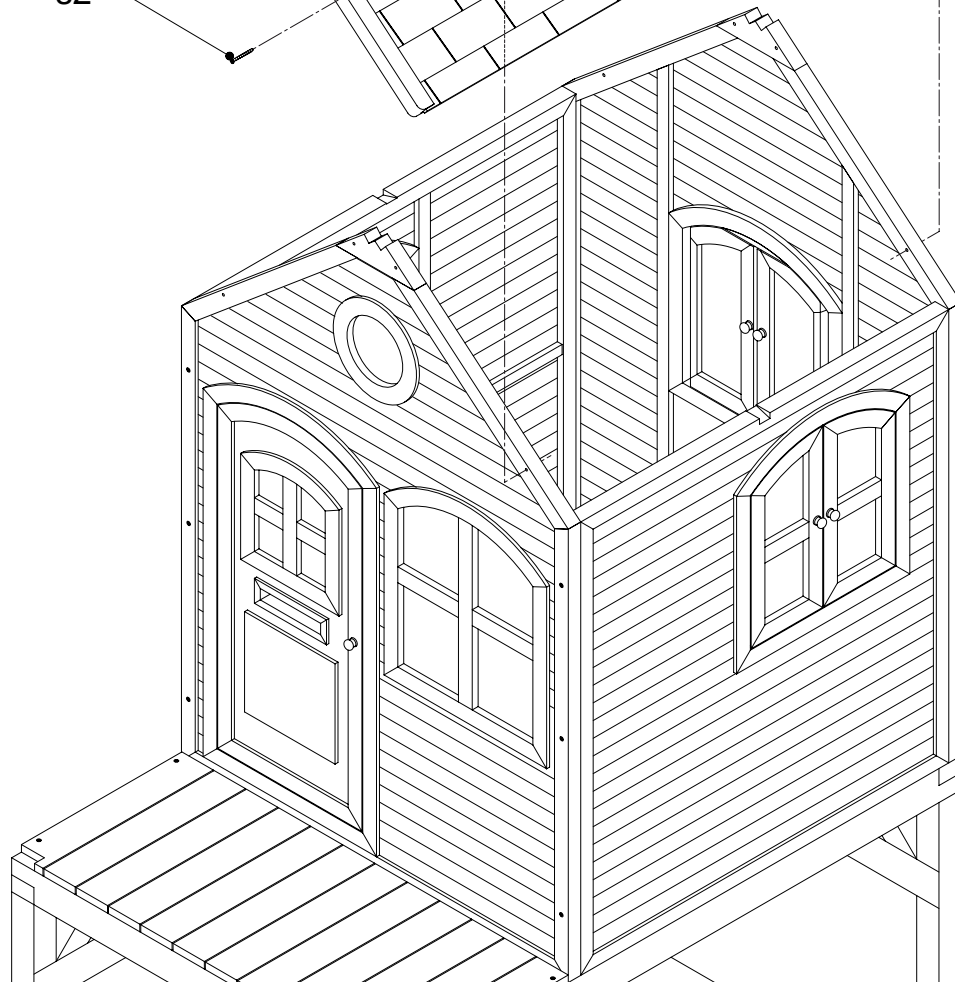
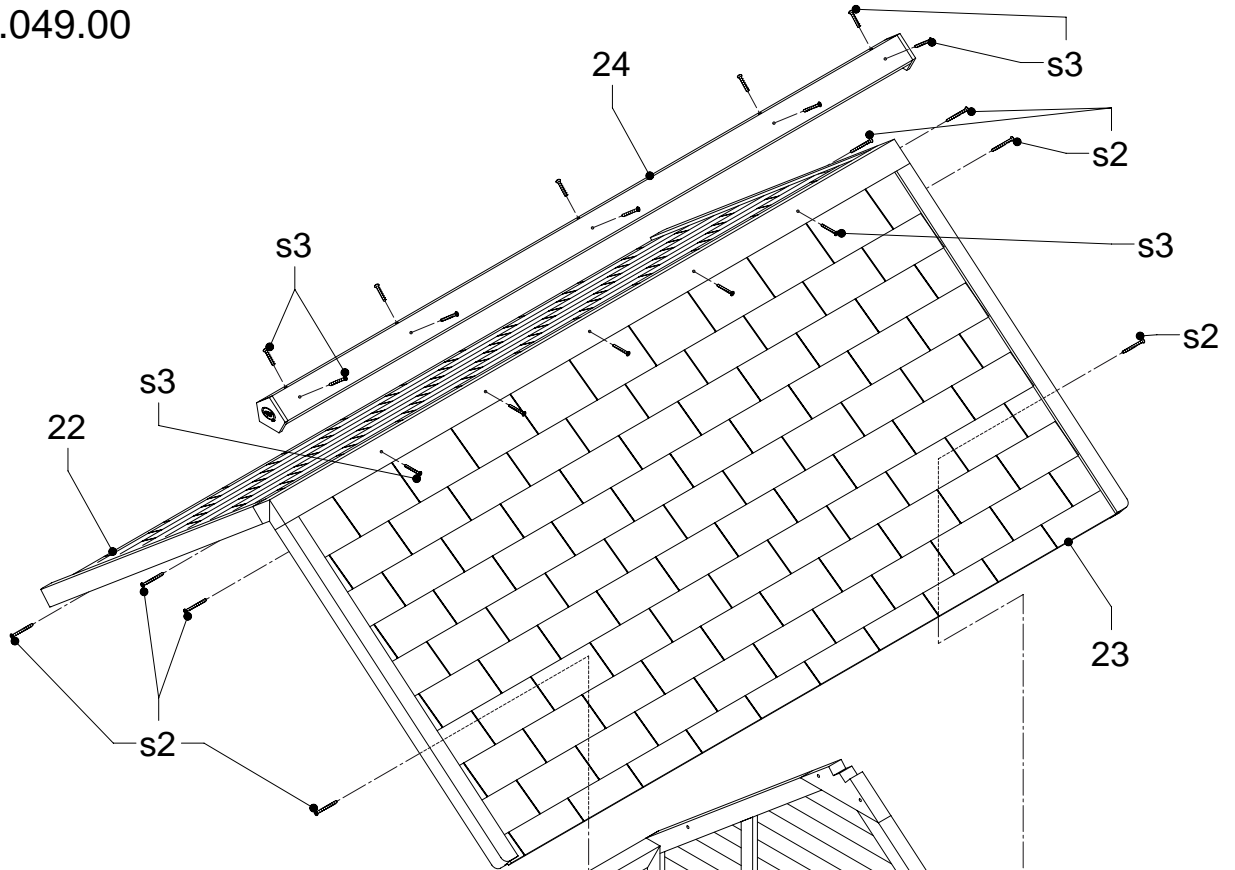
8x




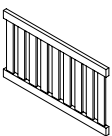
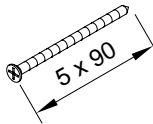
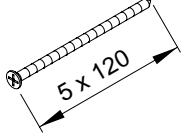
s3

15x

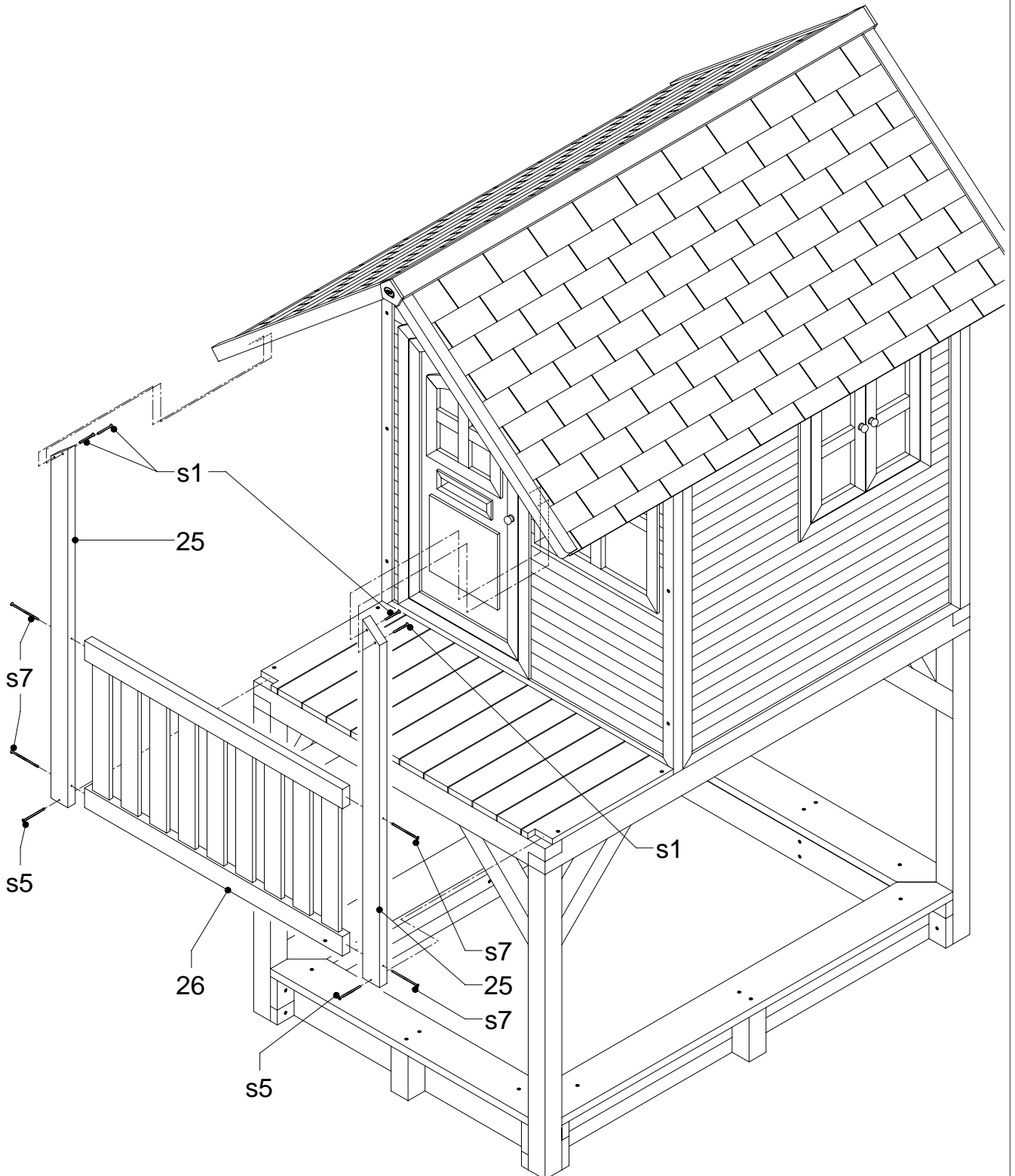
A030.049.00





	2x		s1	4x		2x		4x
---	----	---	----	----	---	----	---	----

A030.050.00





Sarah

27	28	29 7x 30 3x	31	32	s1 36x	s2 2x	s5 4x

A030.033.00 + A030.054.00

