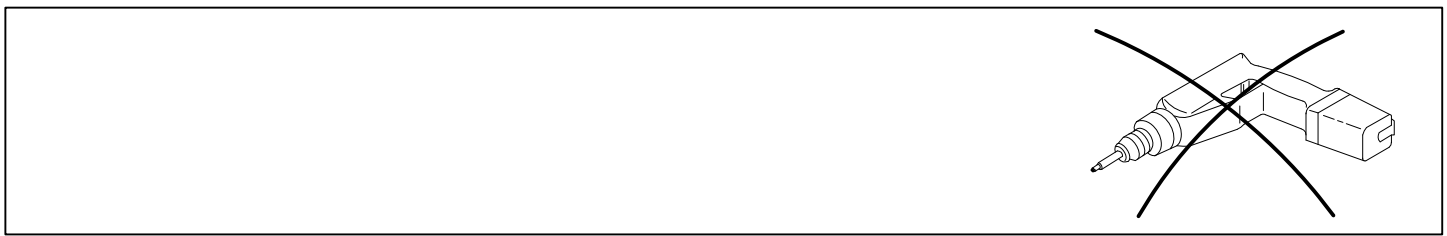
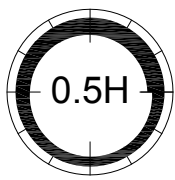
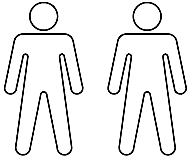
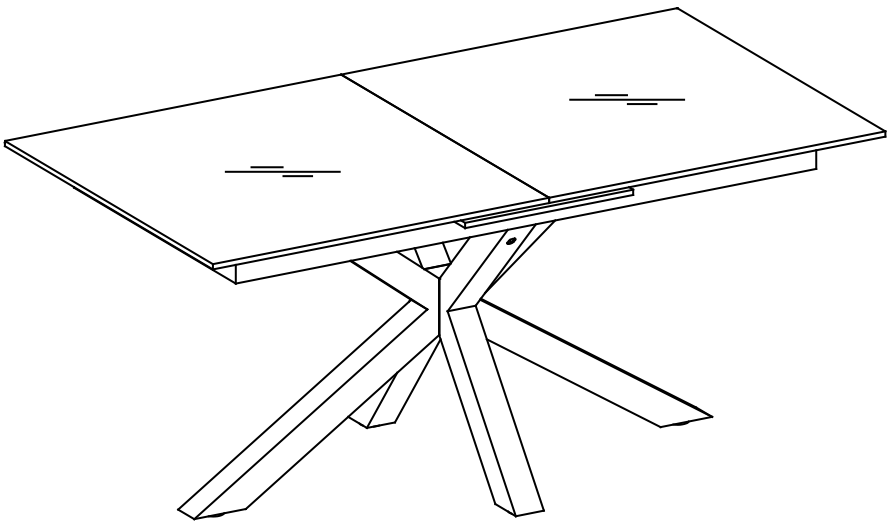
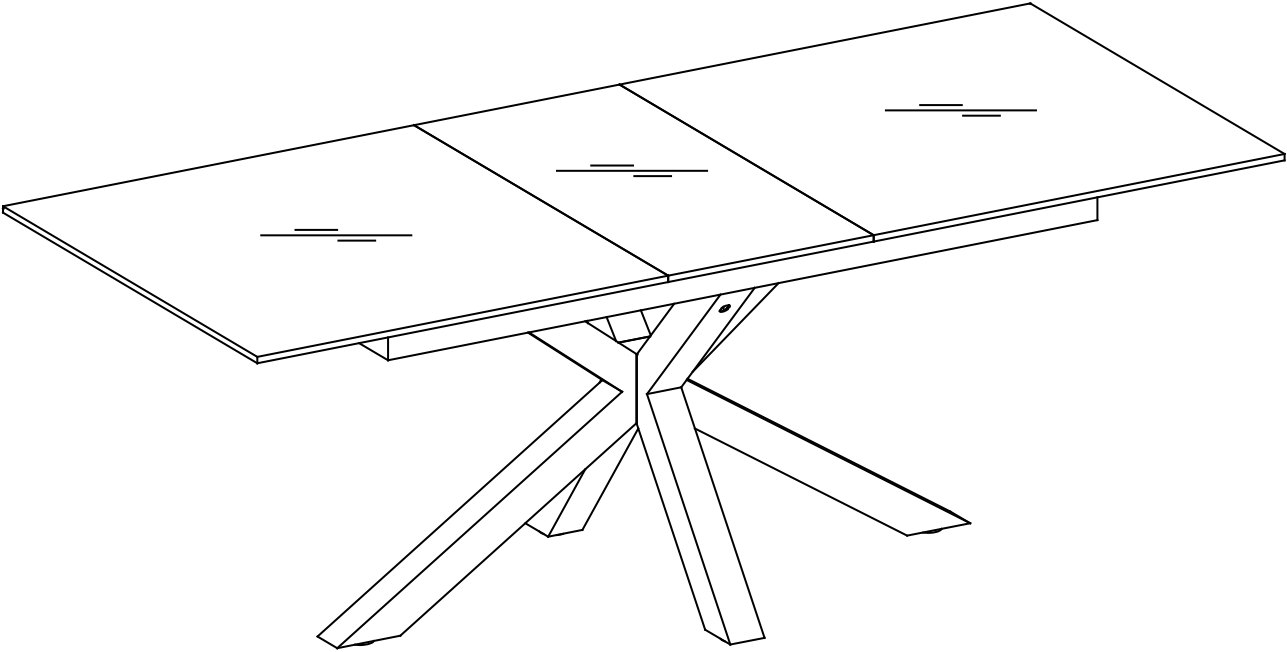
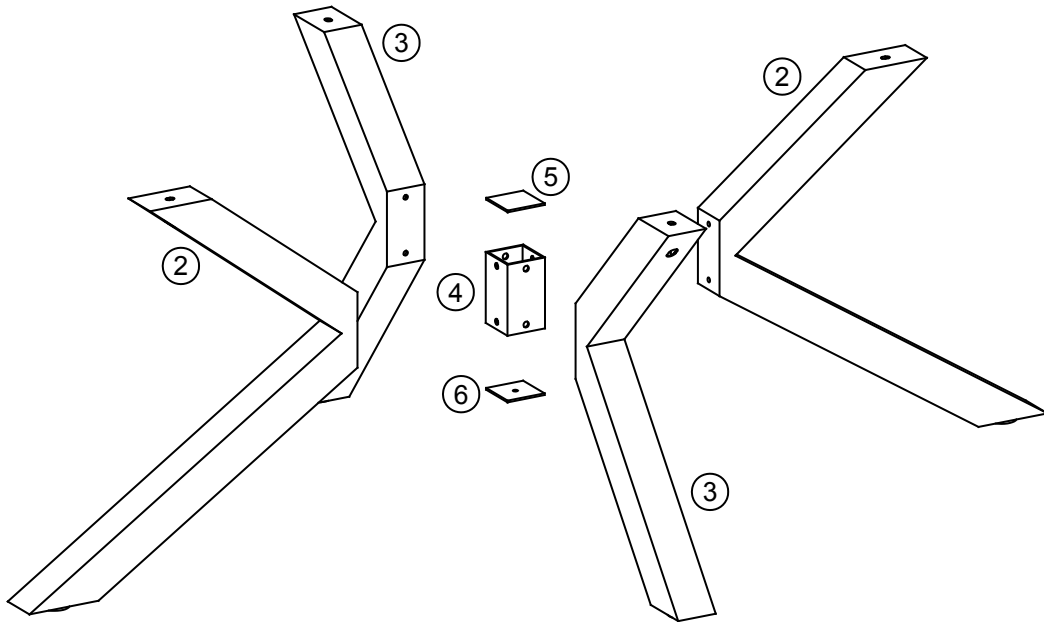
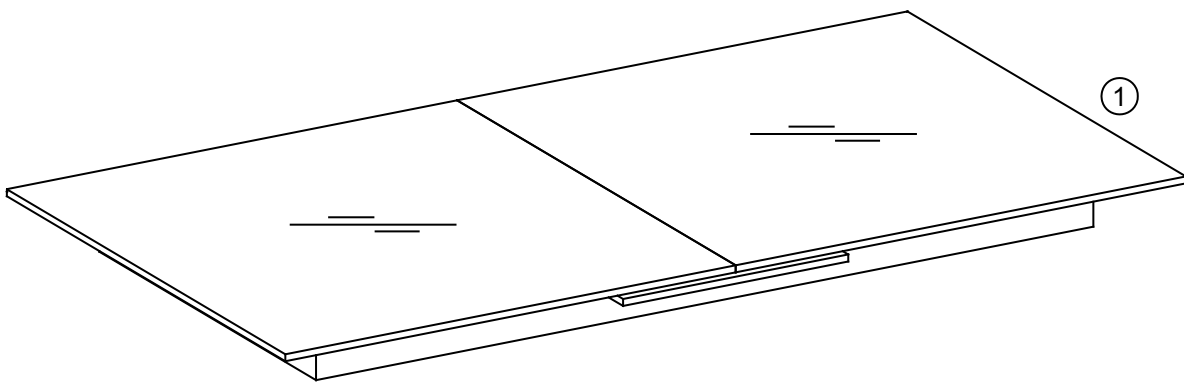
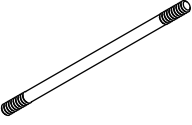
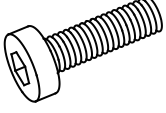
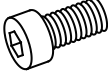

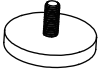







HEAVEN

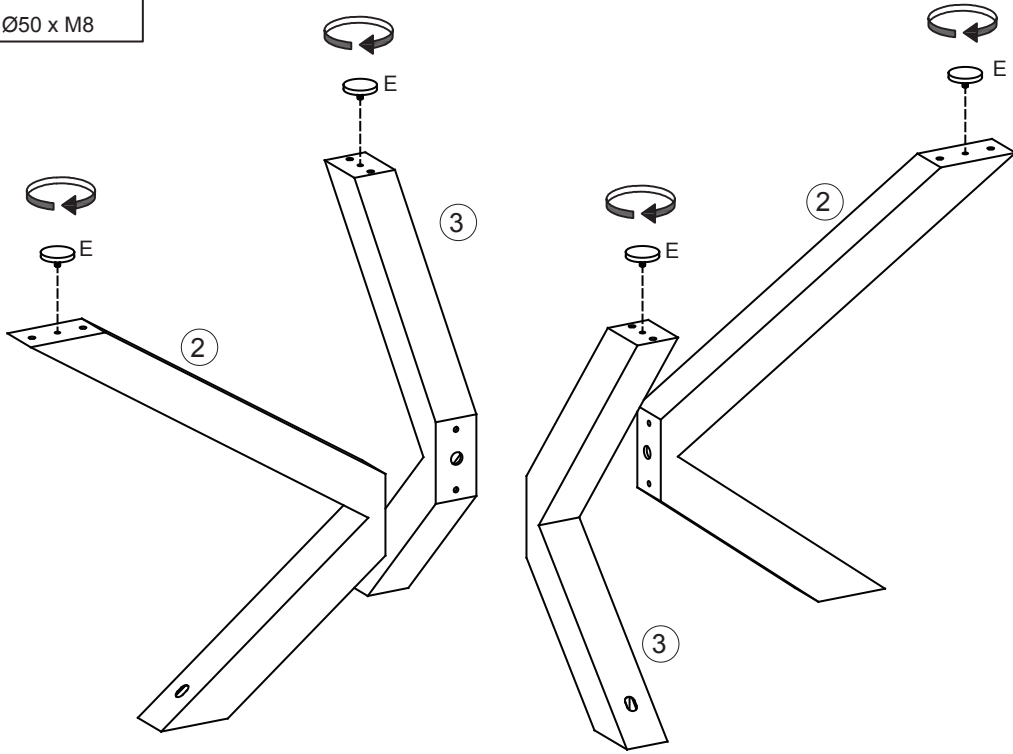
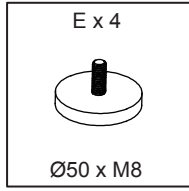


			✓
①	1	1680x900x100	
②	2	612x652x70	
③	2	331x652x70	
④	1	70x70x122	
⑤	1	69x69x3	
⑥	1	69x69x3	

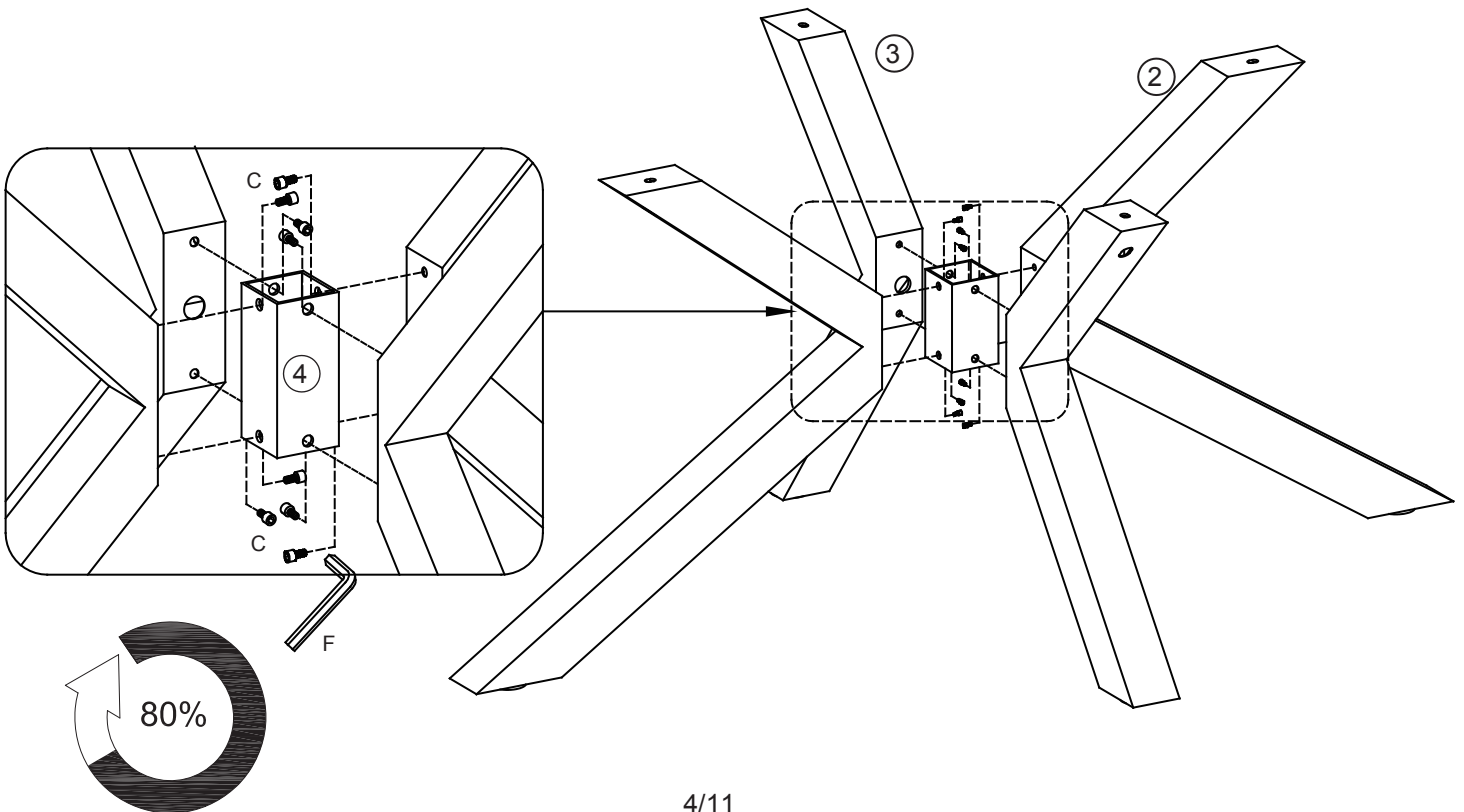
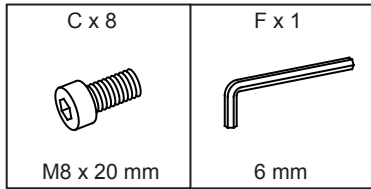


<p>A x 1</p>  <p>M6 x140 mm</p>	<p>B x 4</p>  <p>M8 x 35 mm</p>	<p>C x 8</p>  <p>M8 x 20 mm</p>	<p>D x 1</p>  <p>M6/10 mm</p>	<p>E x 4</p>  <p>Ø50 x M8</p>
<p>F x 1</p>  <p>6 mm</p>	<p>G x 1</p>  <p>10 mm</p>	<p>H x 2</p>  <p>14 mm</p>	<p>J x 1</p>  <p>5 mm</p>	<p>K x 1</p>  <p>4 mm</p>

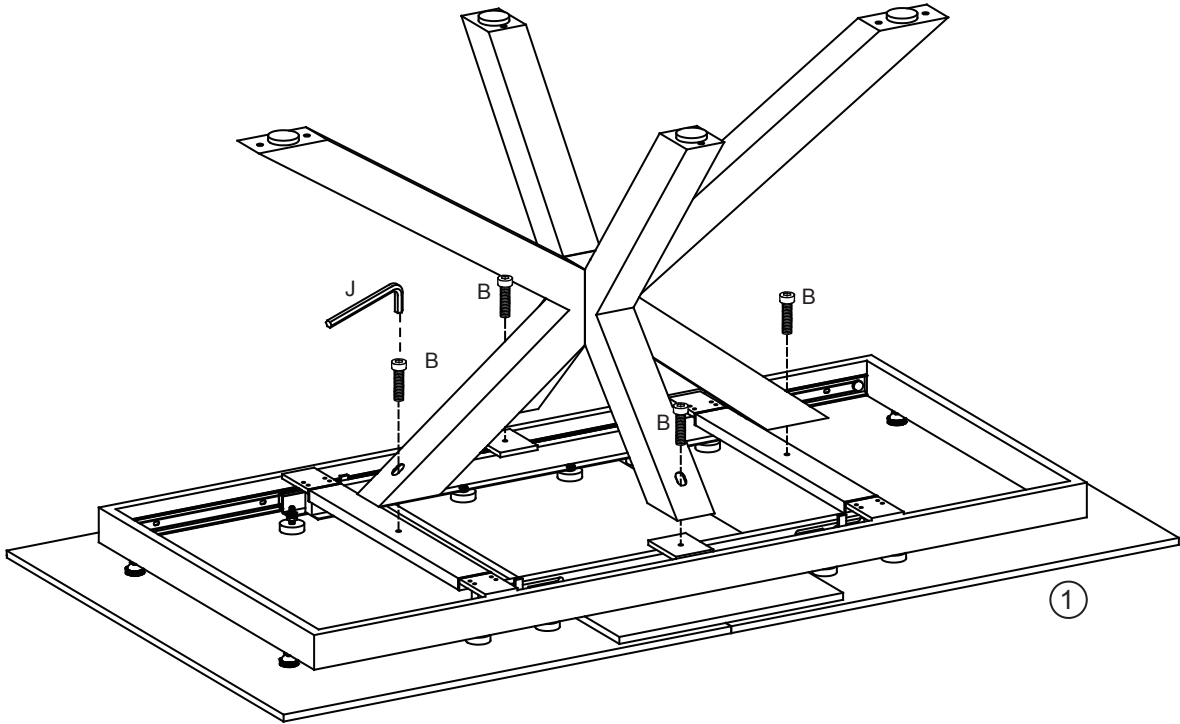
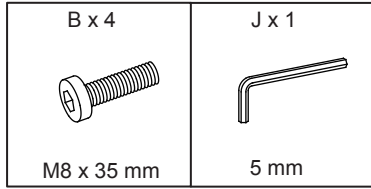
1



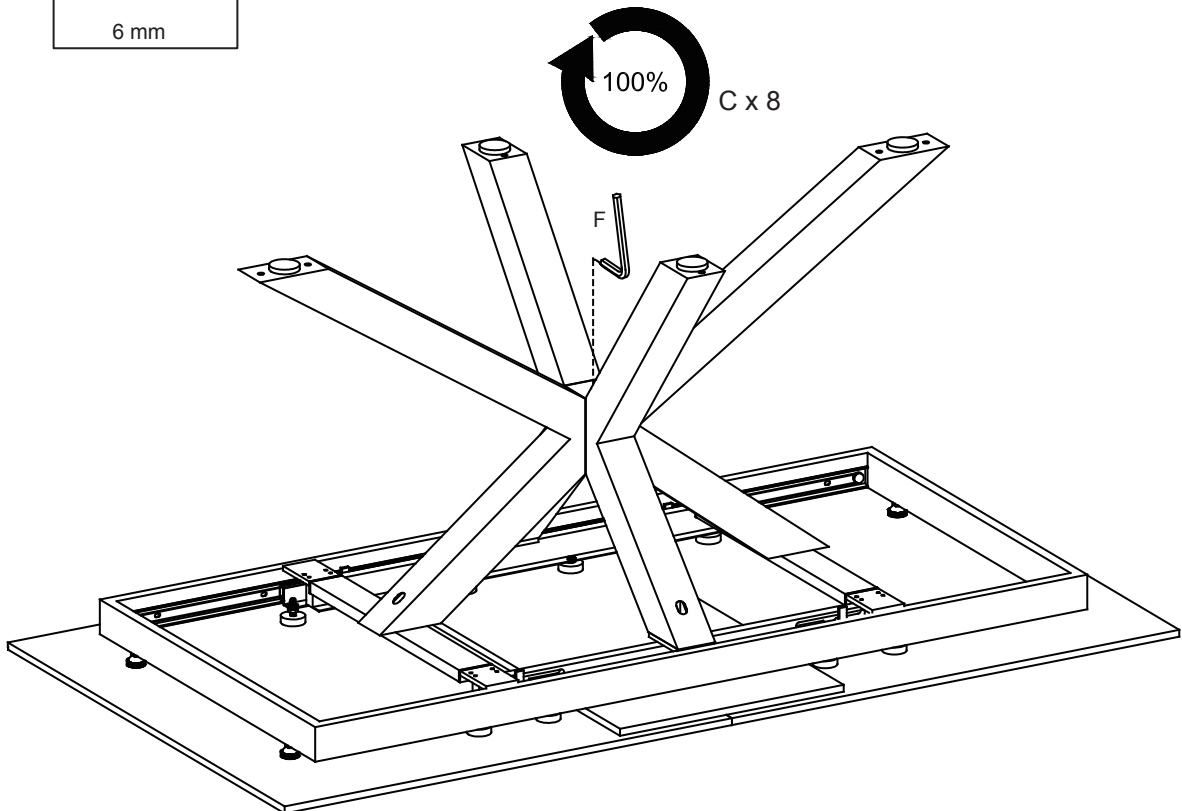
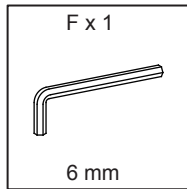
2






3

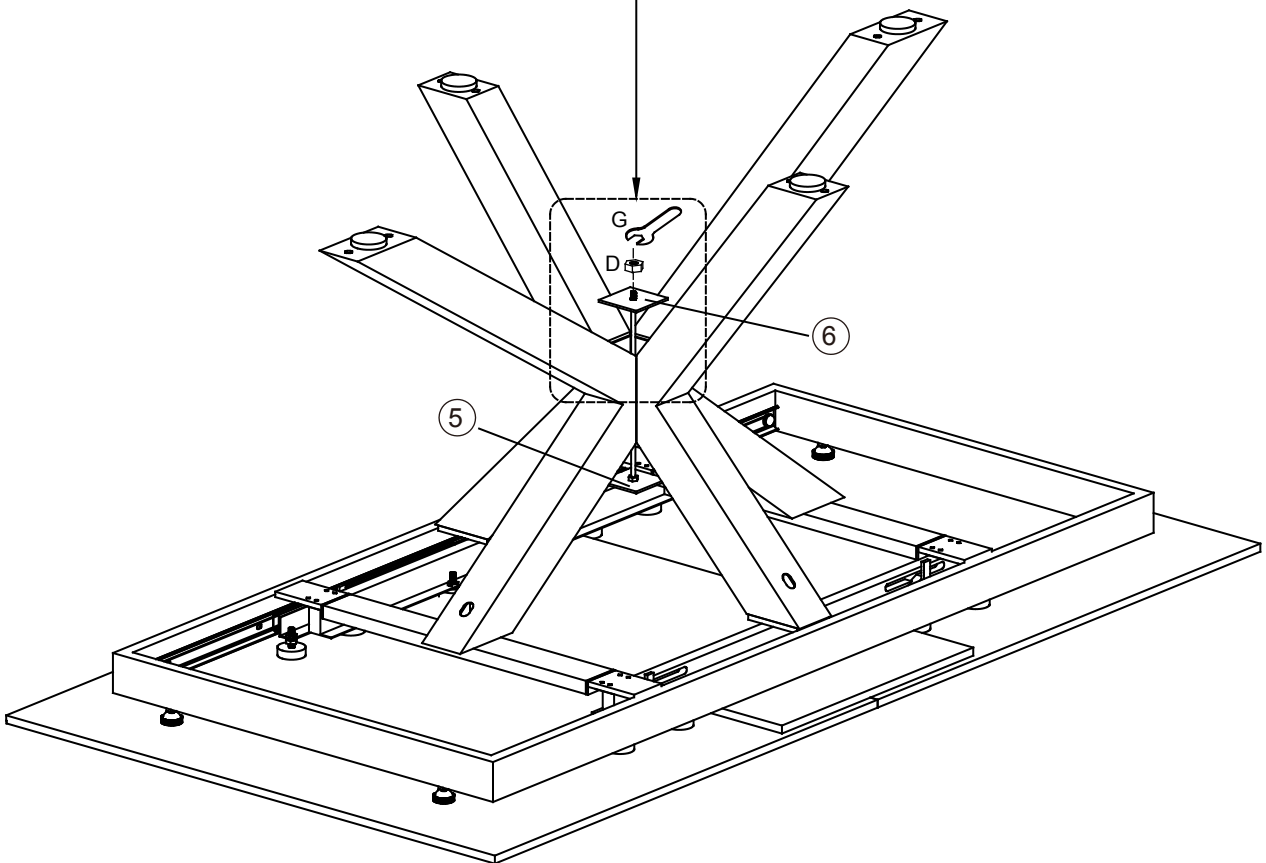
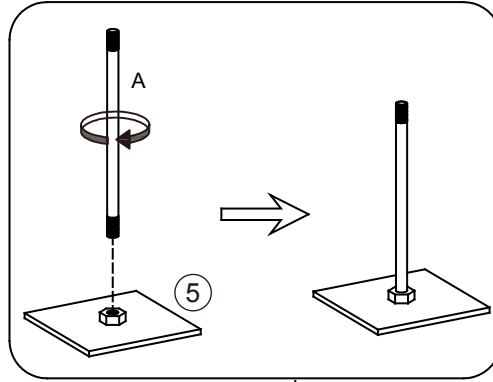


4

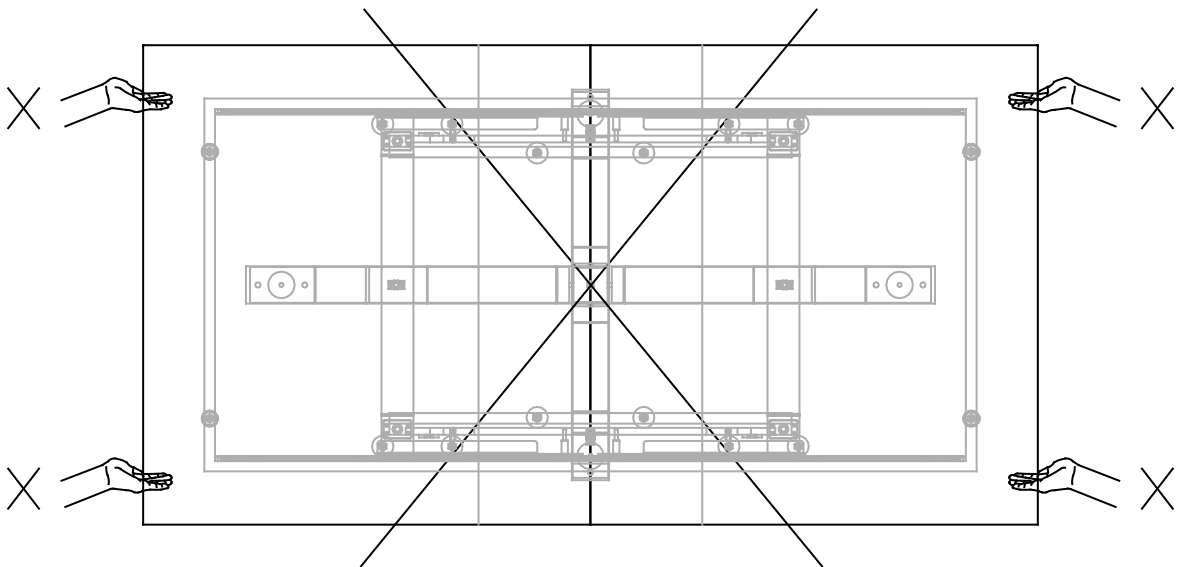
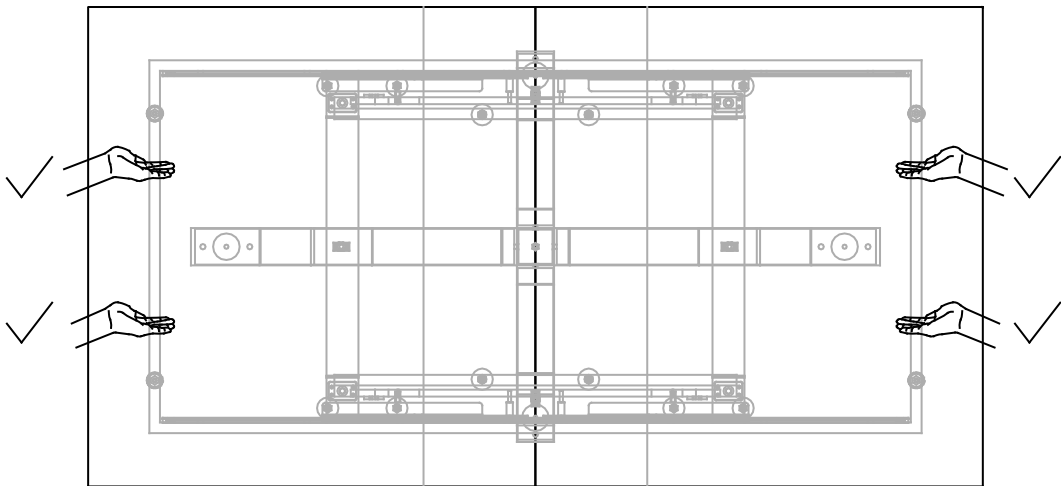
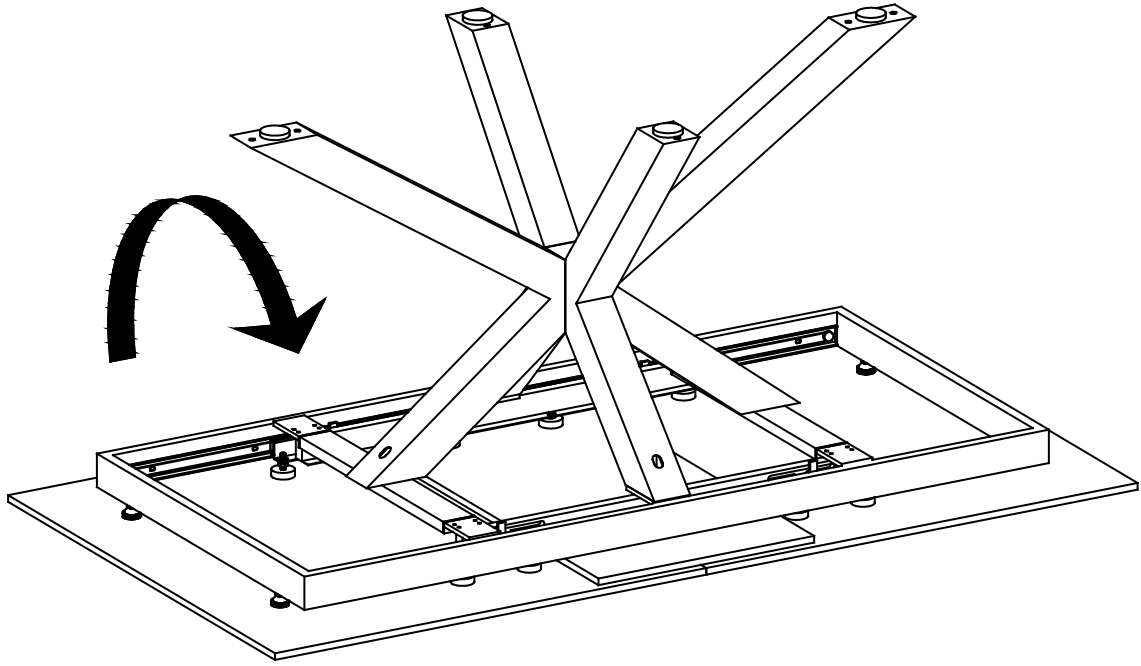


5

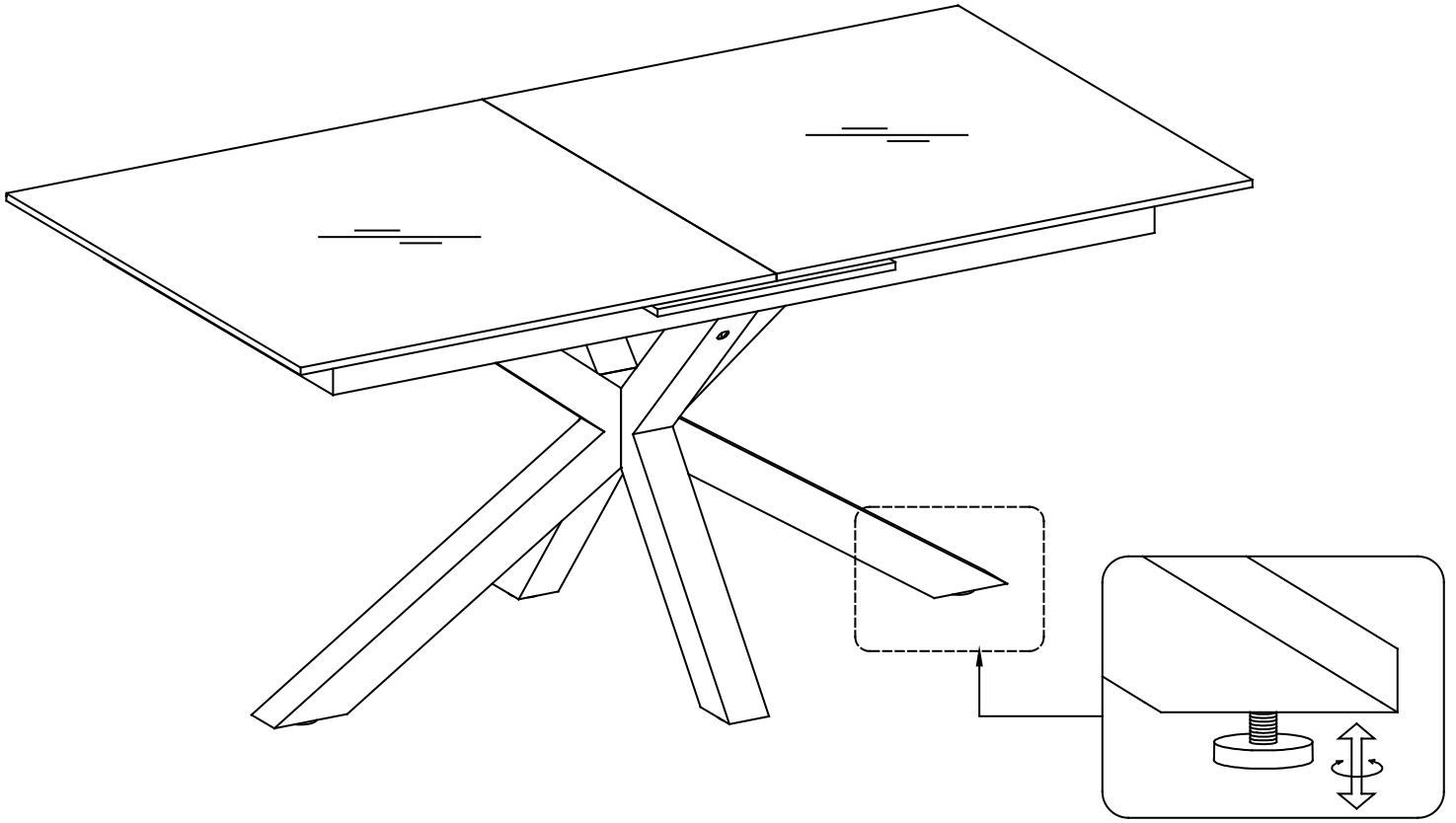
A x 1  M6 x 140 mm	D x 1  M6/10 mm	G x 1  10 mm
---	--	---





6

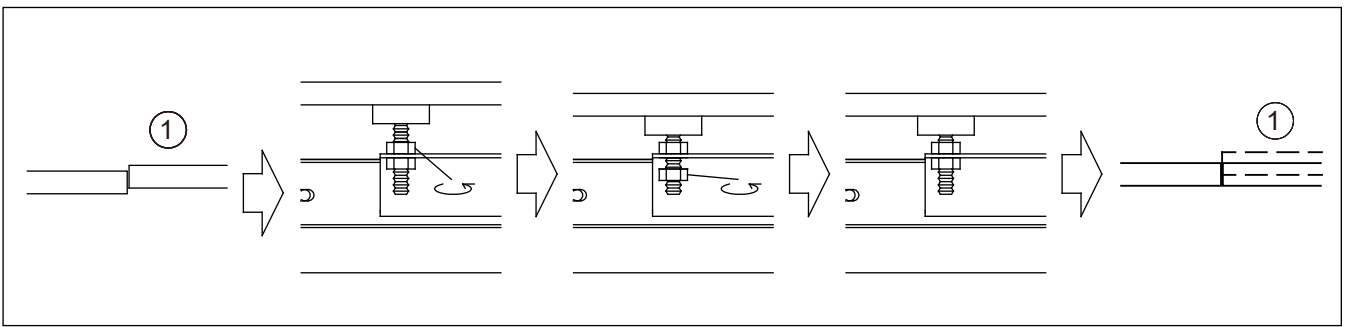
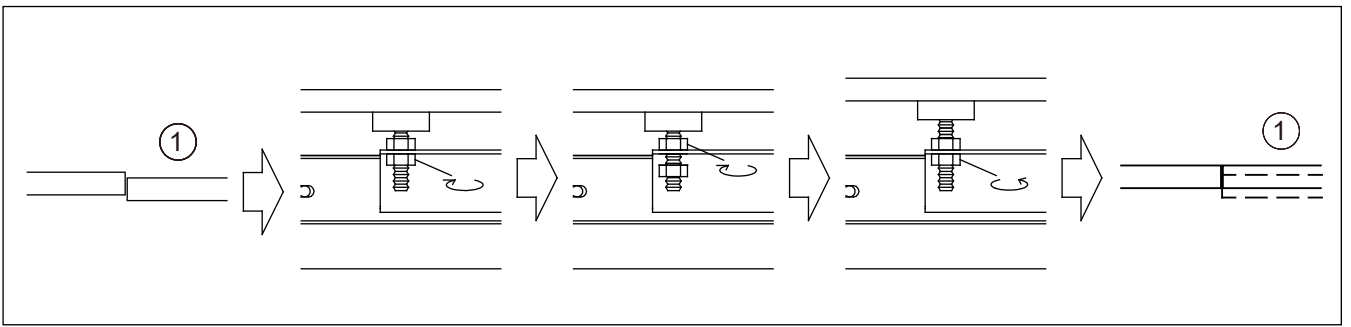
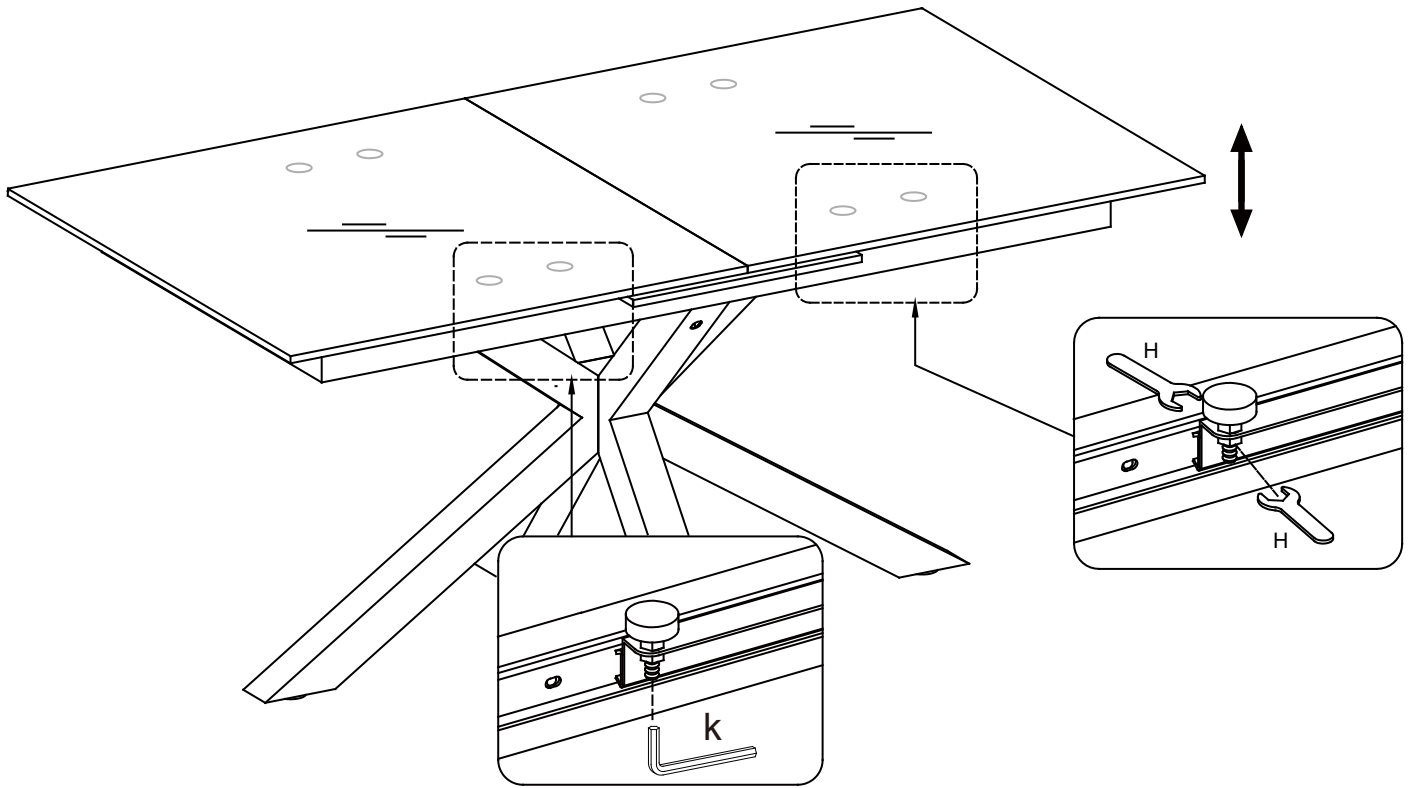


7

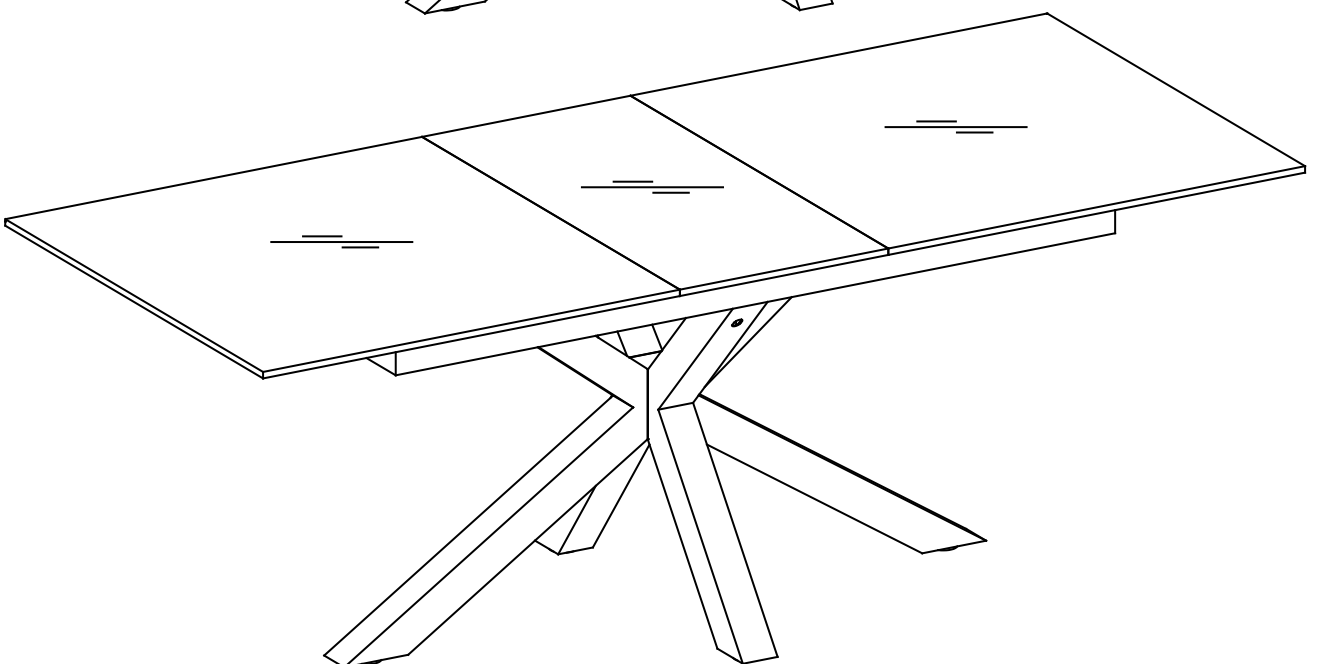
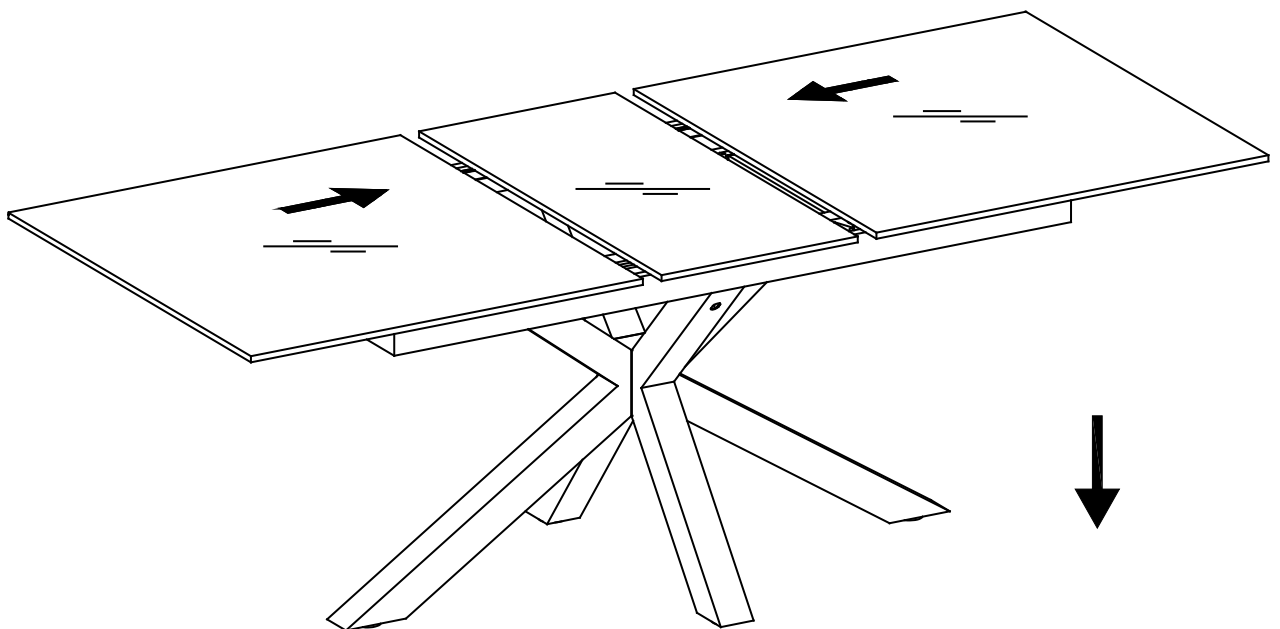
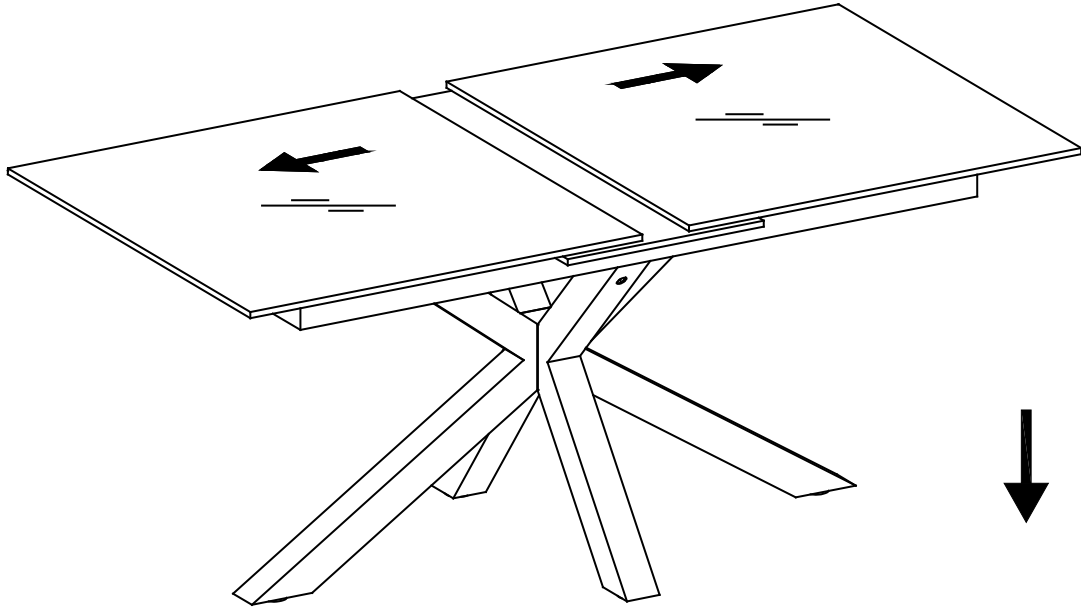


8

H x 2	K x 1
	
14 mm	4 mm



9



10

