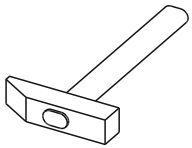
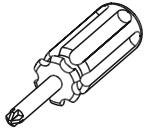
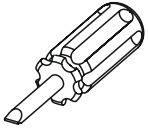
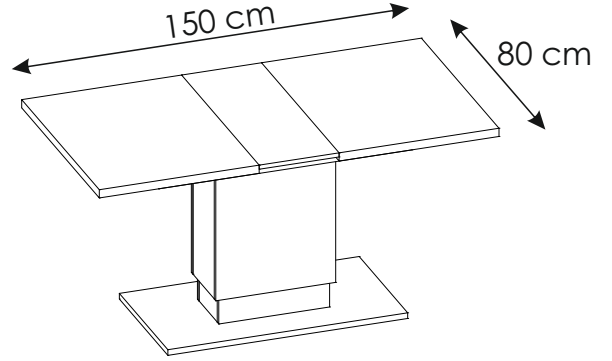
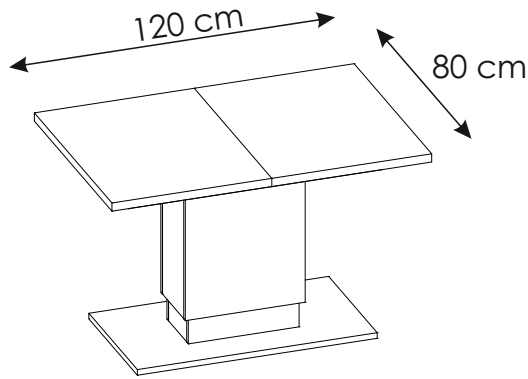
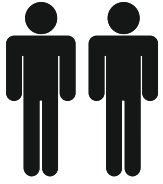
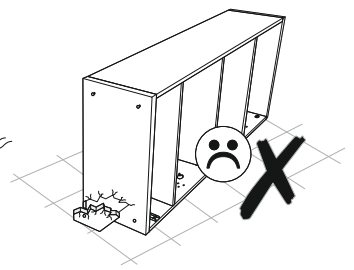
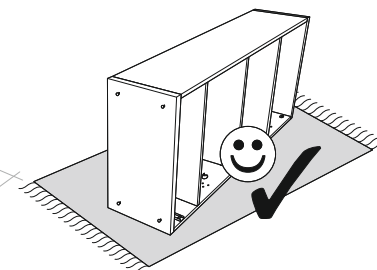
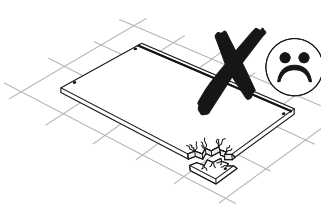
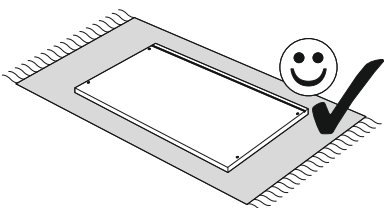
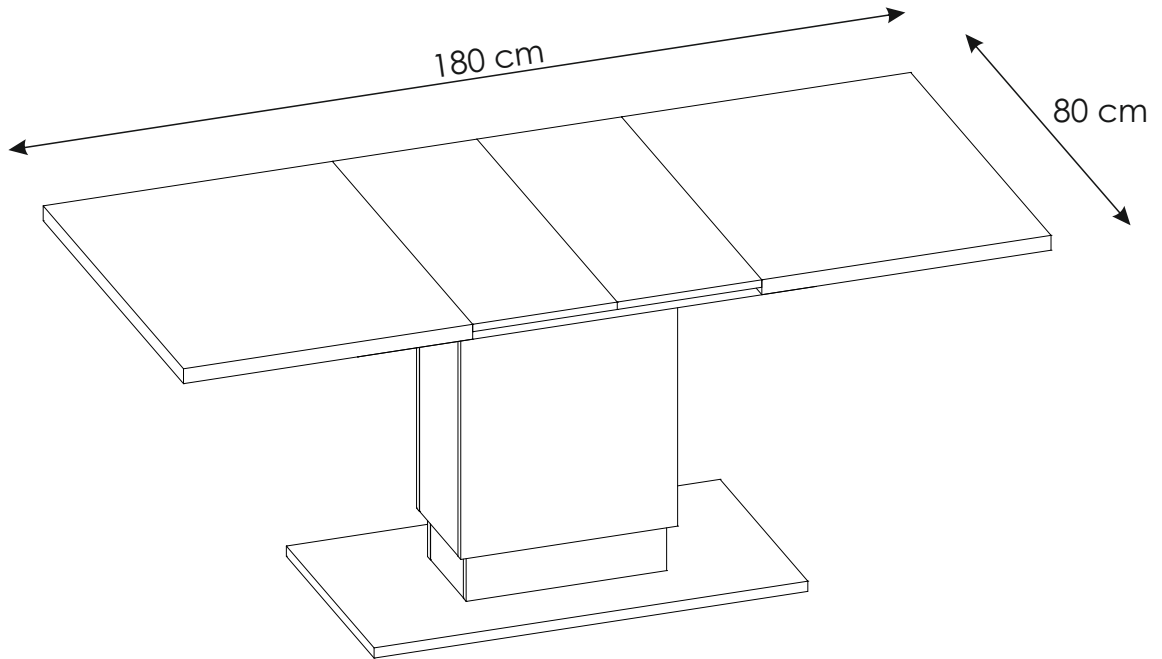
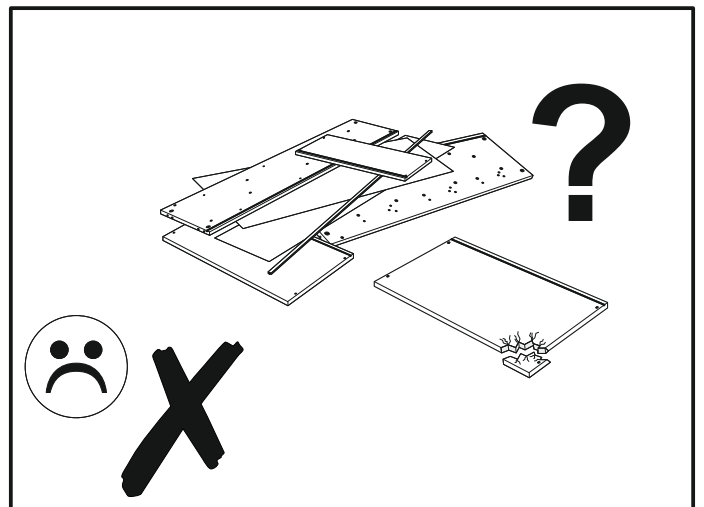
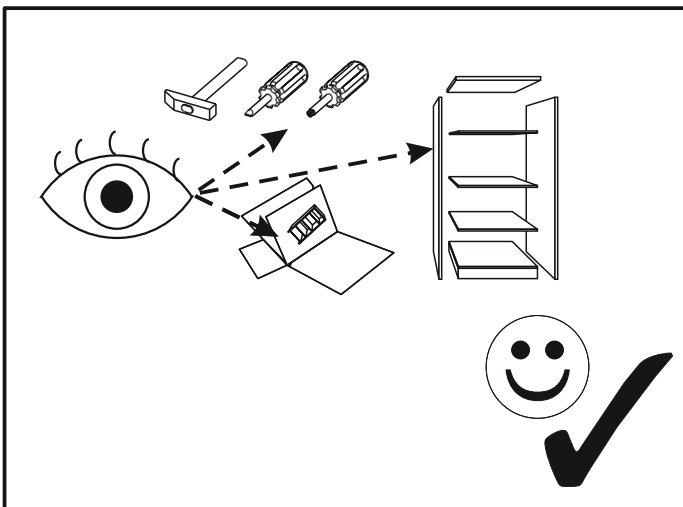
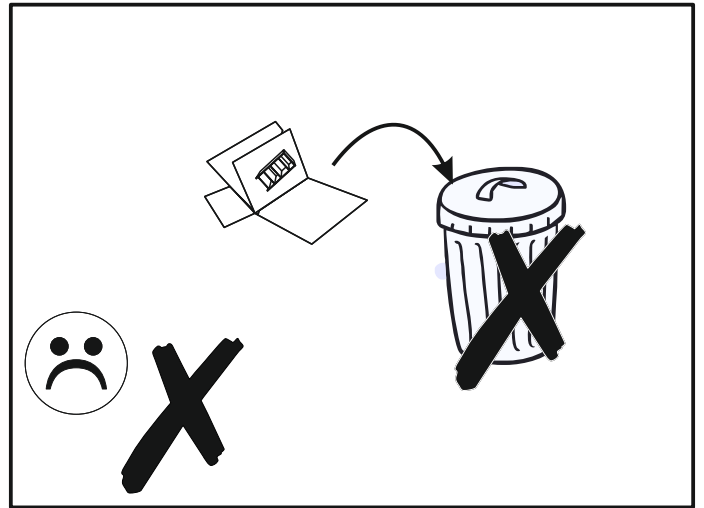
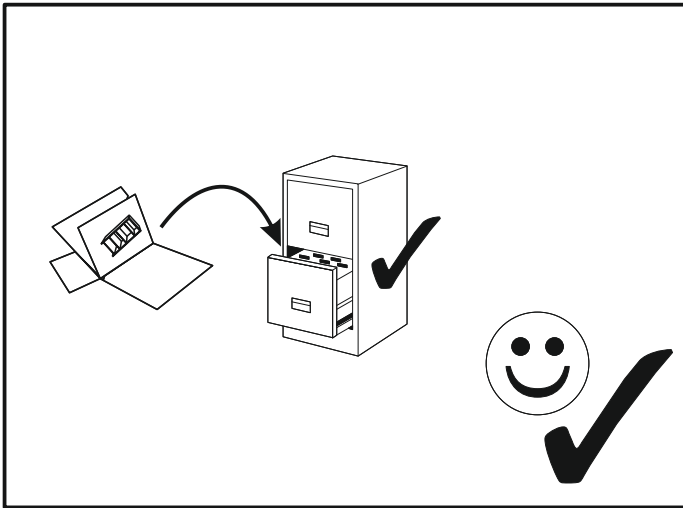
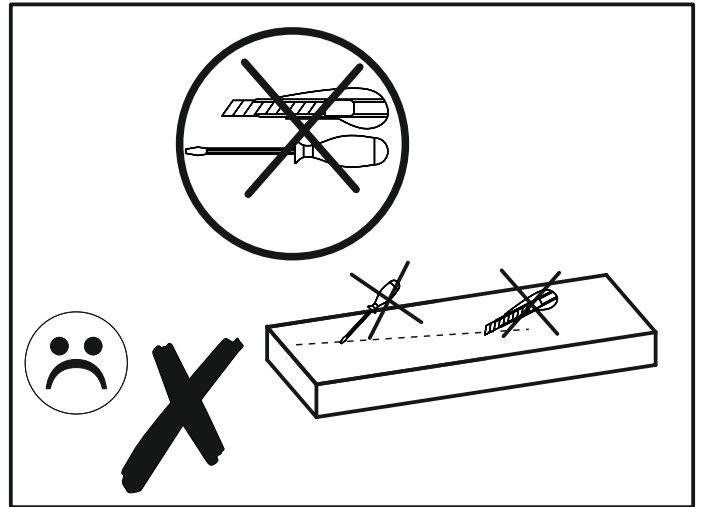
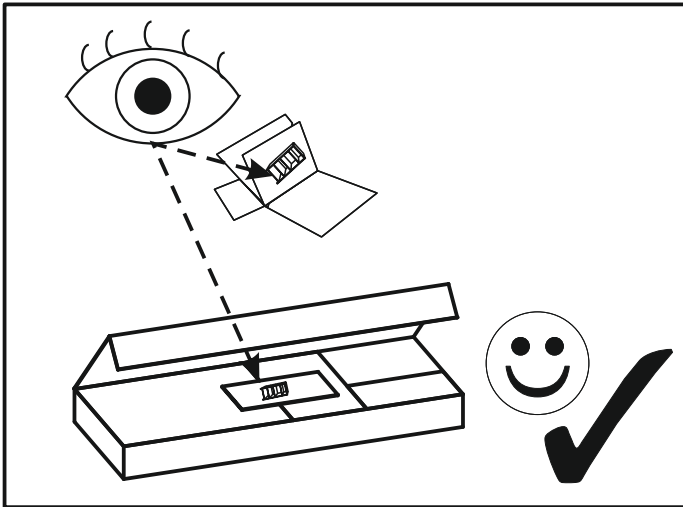


084-8813-23012023

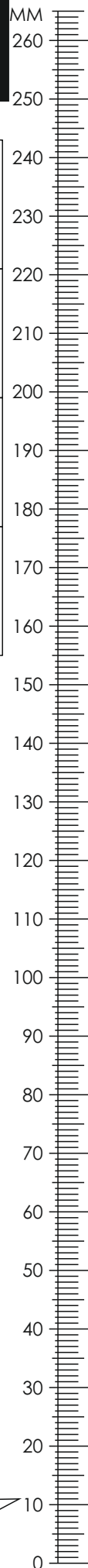





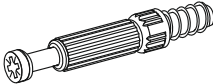
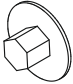
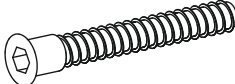


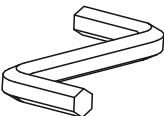

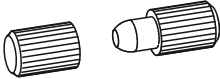
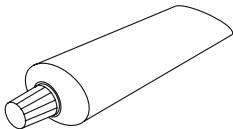
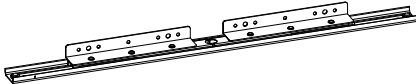
76,2 cm

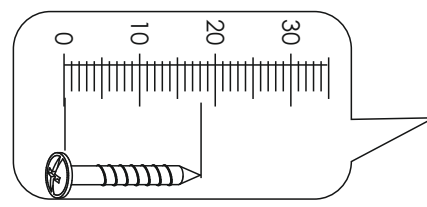


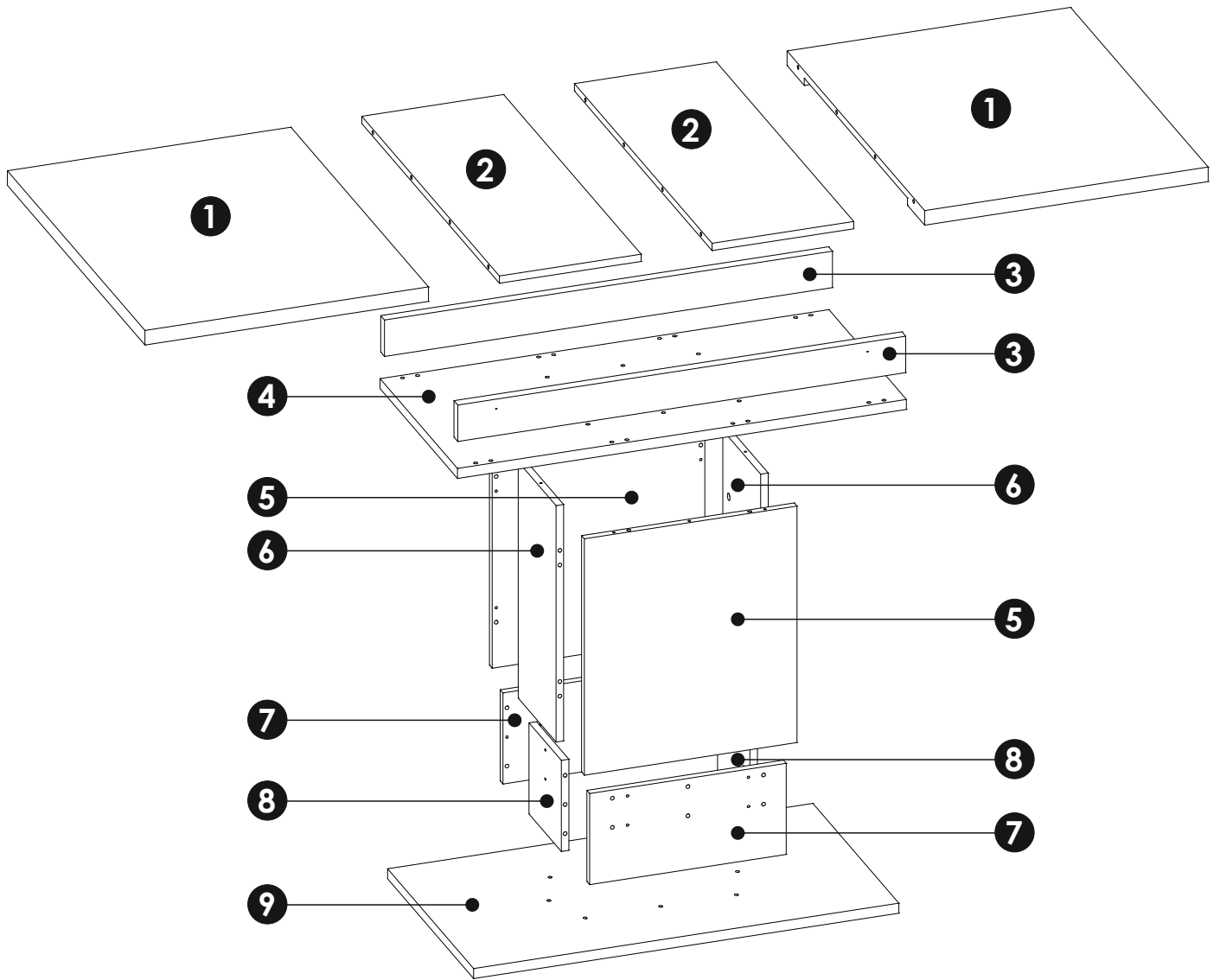
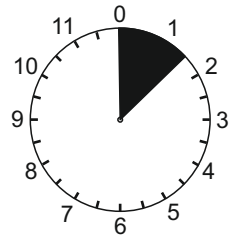
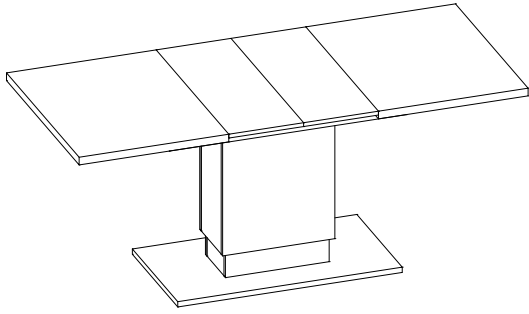


LORENA



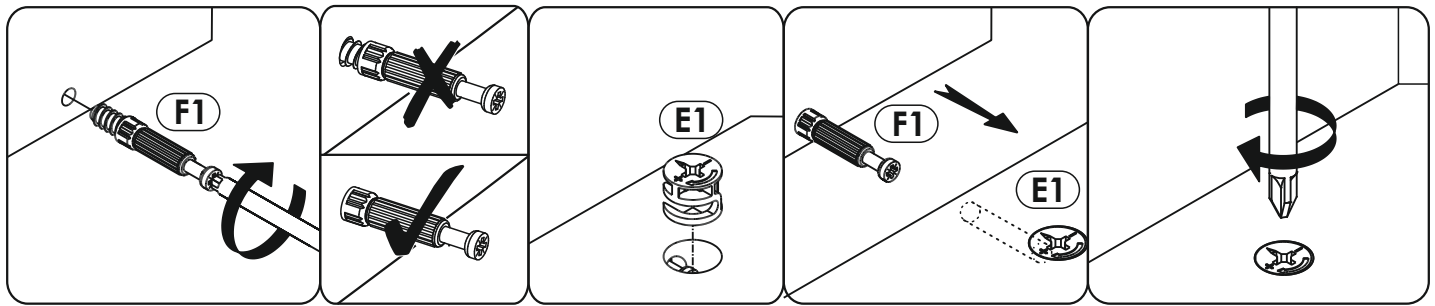
A1 8 x 35 mm x30 	A5 8 x 20 mm x12 	E1 15 x 12 mm x12 
F1 6 x 34 mm x12 	G0 x16 	G2 7 x 60 mm x22 
I2 4 x 16 mm x44 		I11 4 x 27 mm x12 
M x1 	O2A ø20 x18 	R8 x12 
S x1 	T11 x2 	

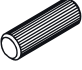


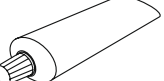


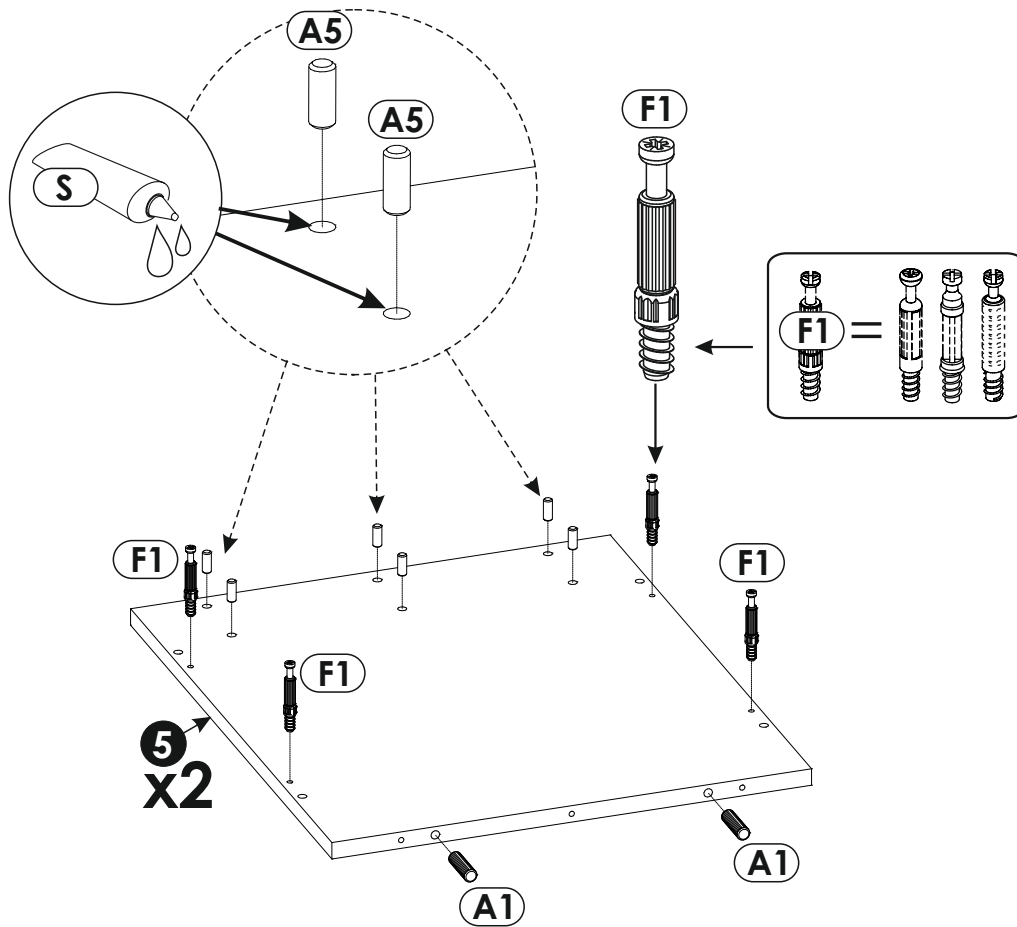


1	600	800	32	x2	2/2
2	300	800	16	x2	2/2
3	948	80	22	x2	1/2
4	950	450	22	x1	1/2

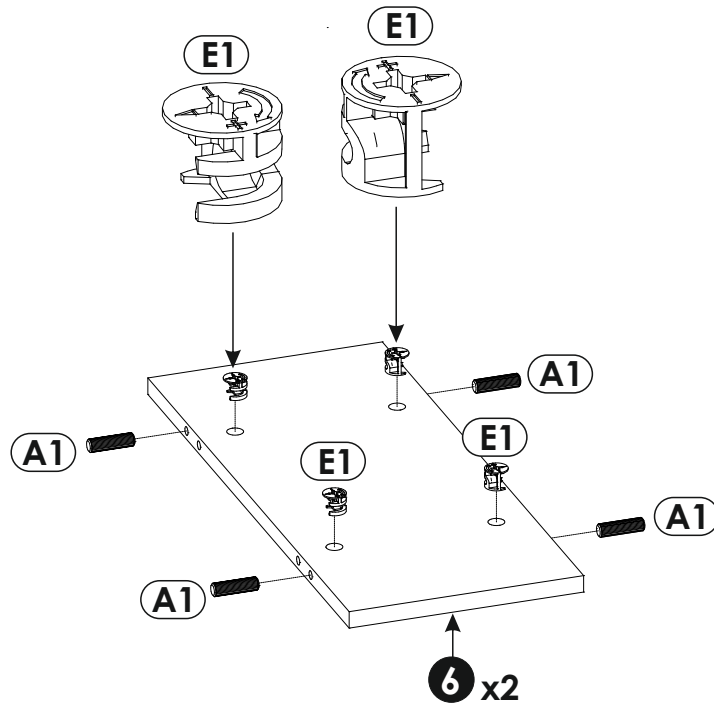
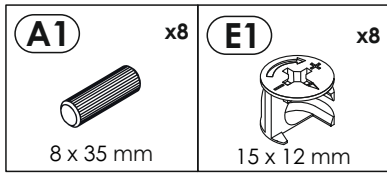
5	519	450	16	x2	2/2
6	519	220	16	x2	1/2
7	416	200	16	x2	1/2
8	200	188	16	x2	1/2
9	900	500	22	x1	1/2



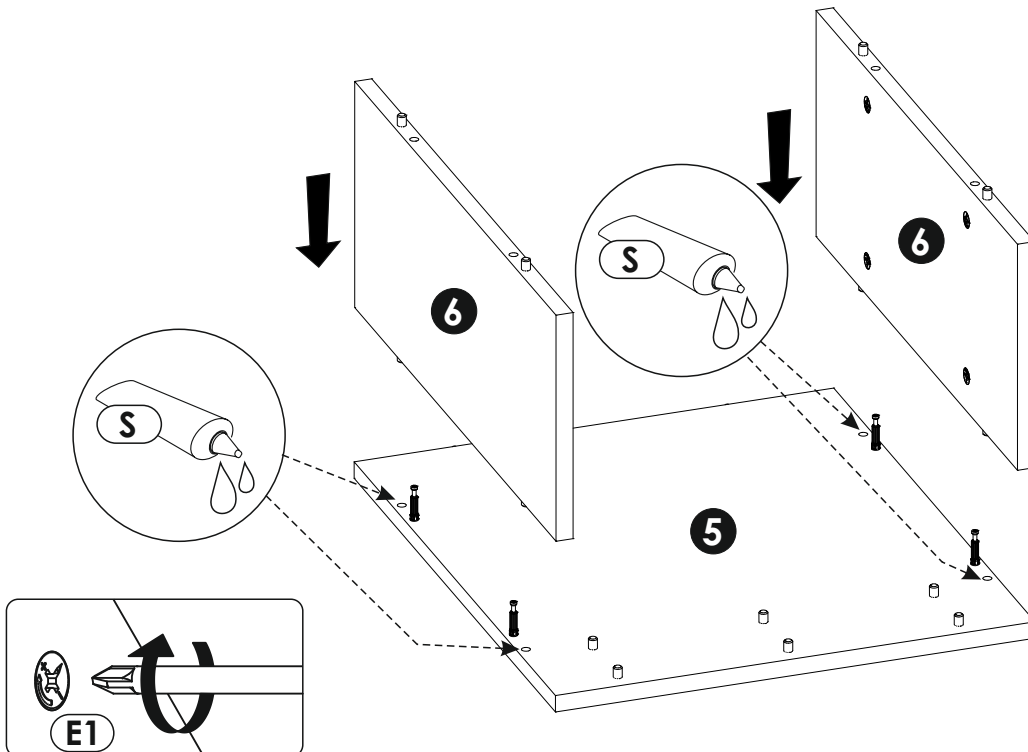
A1 x4	A5 x12	F1 x8	S x1
			
8 x 35 mm	8 x 20 mm	6 x 34 mm	



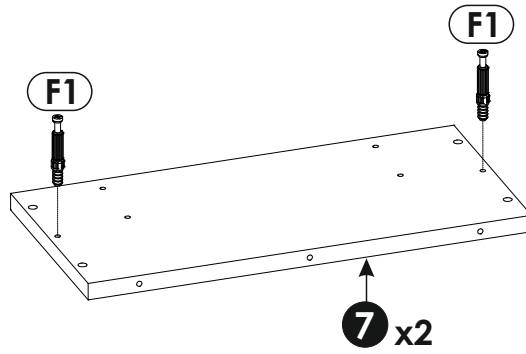
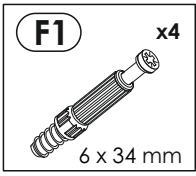
2 ▶



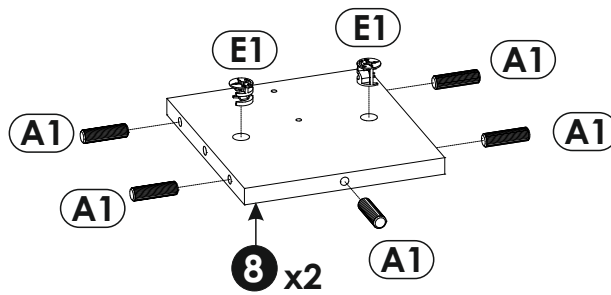
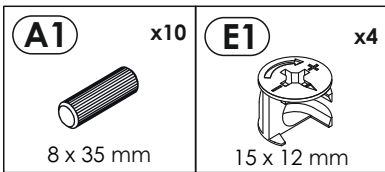
3 ▶



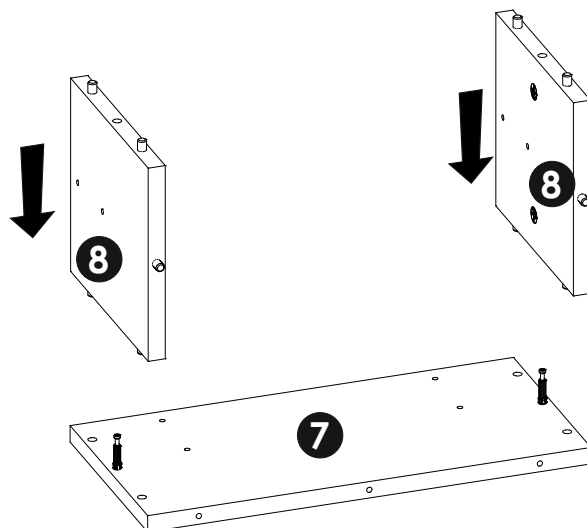
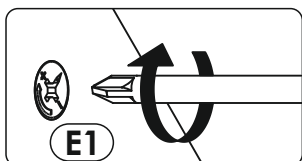
4 ▶



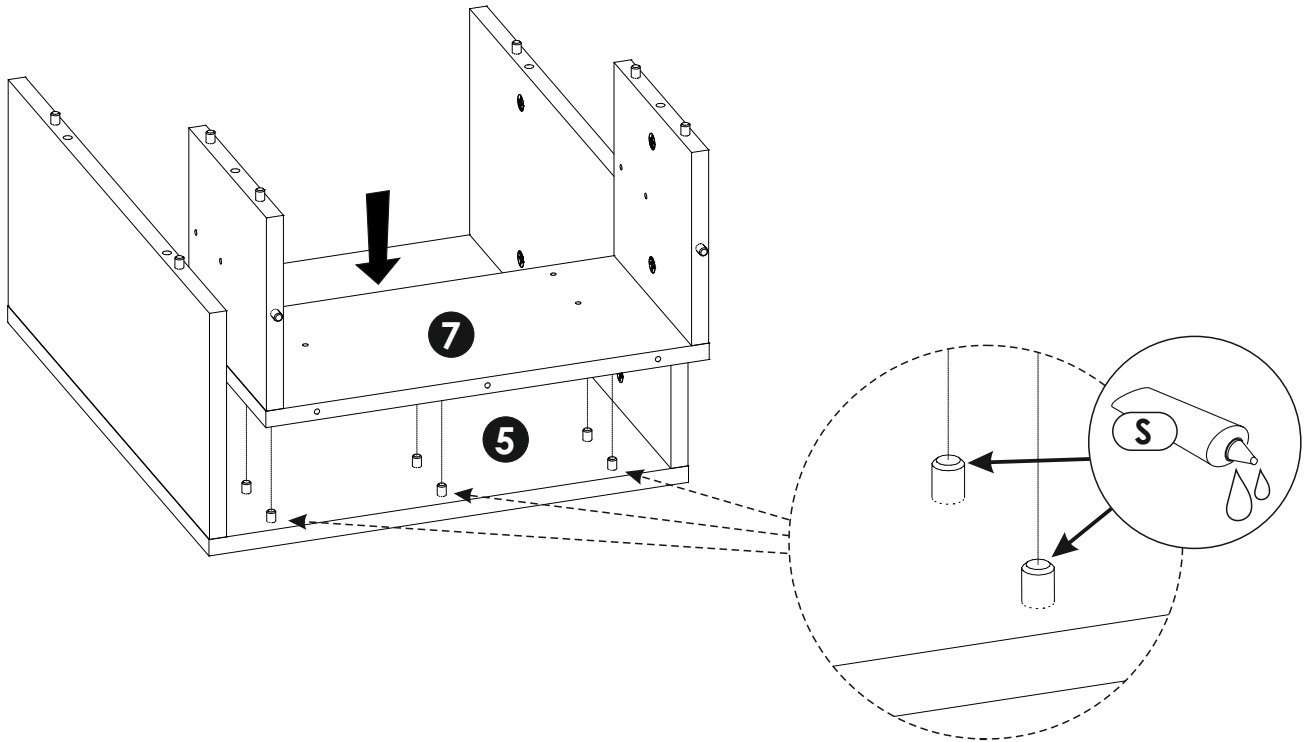
5 ▶



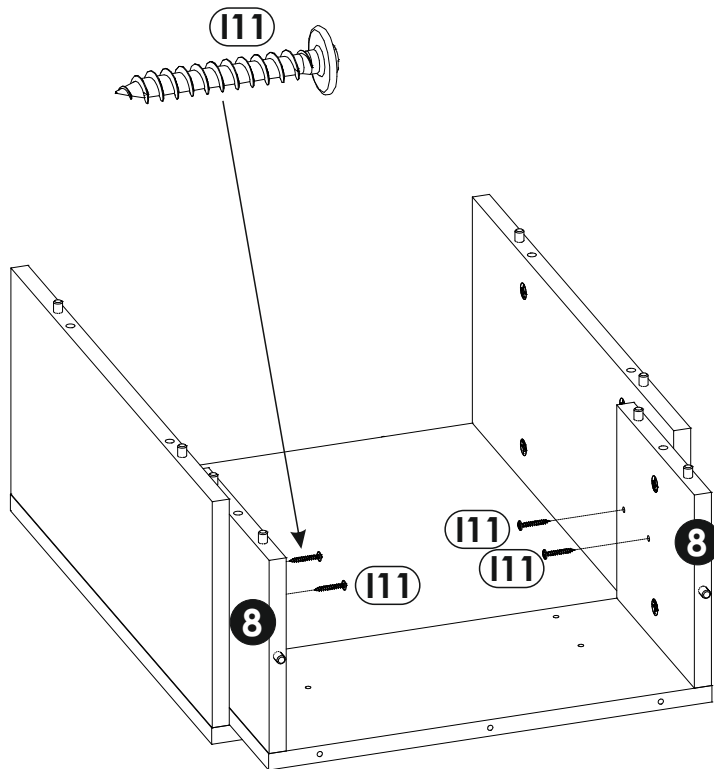
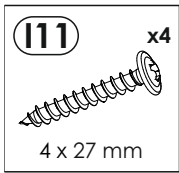
6 ▶



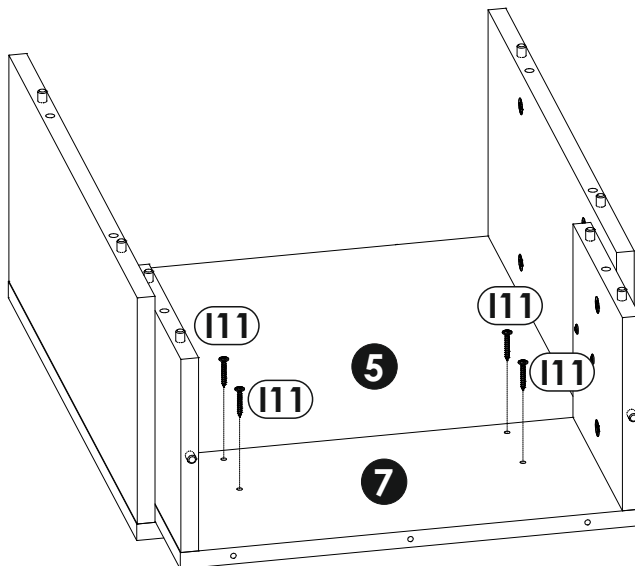
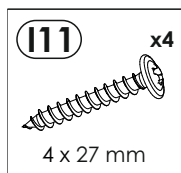
7 ▶



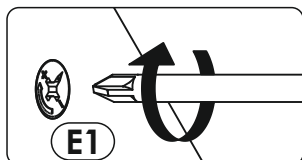
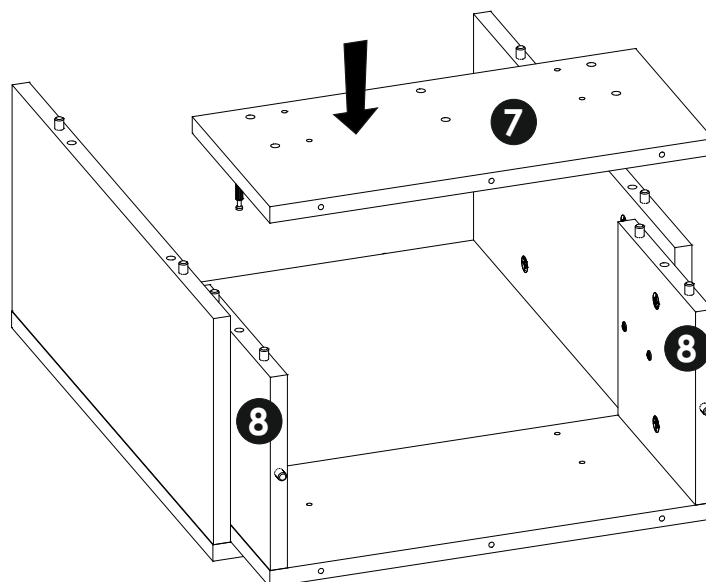
8 ▶



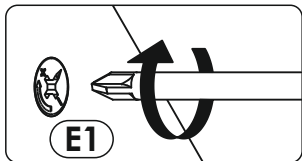
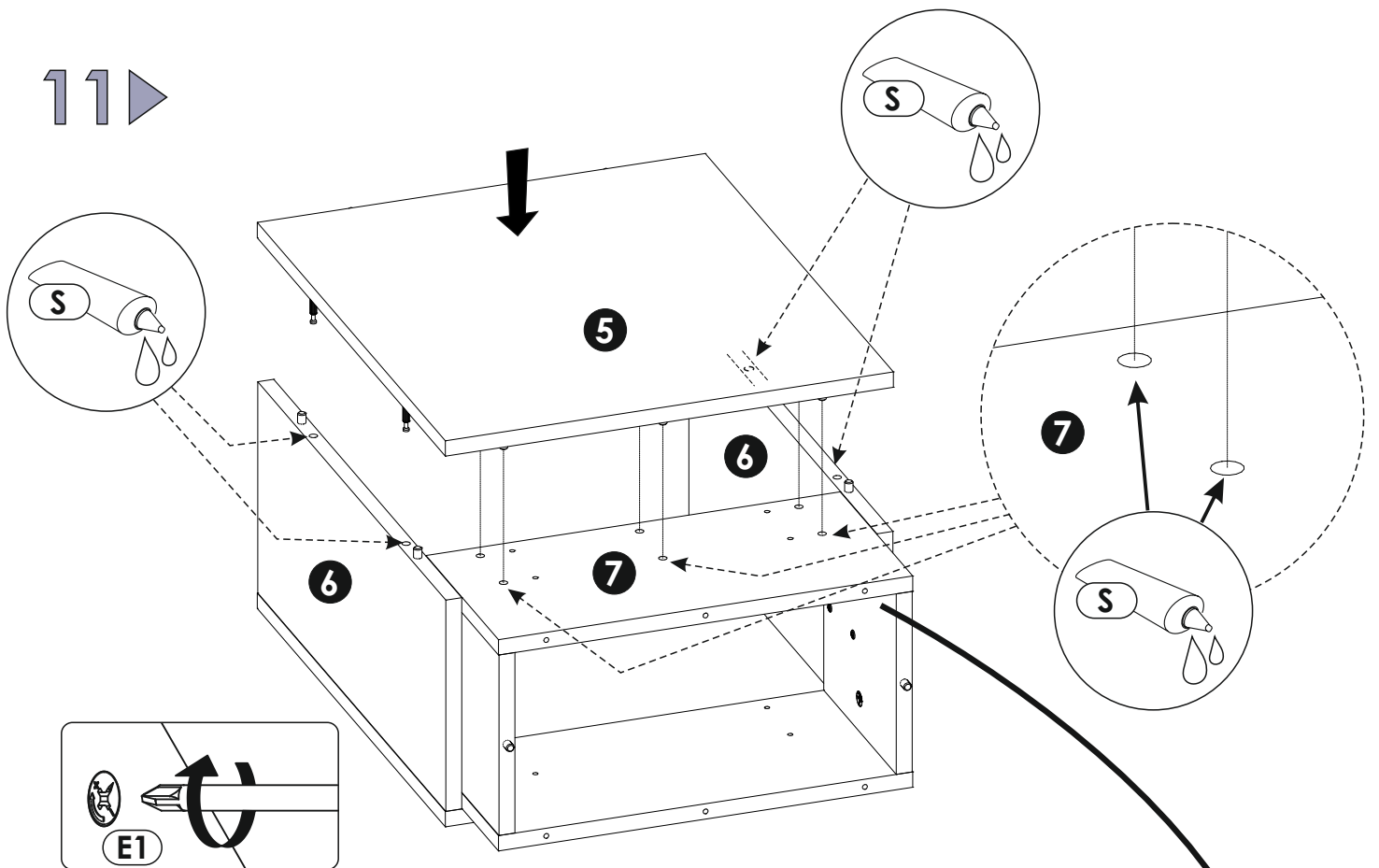
9 ▶



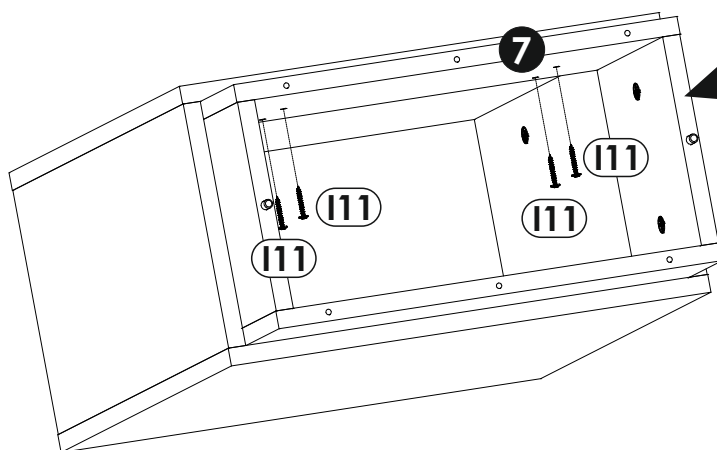
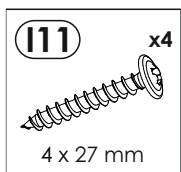
10 ▶



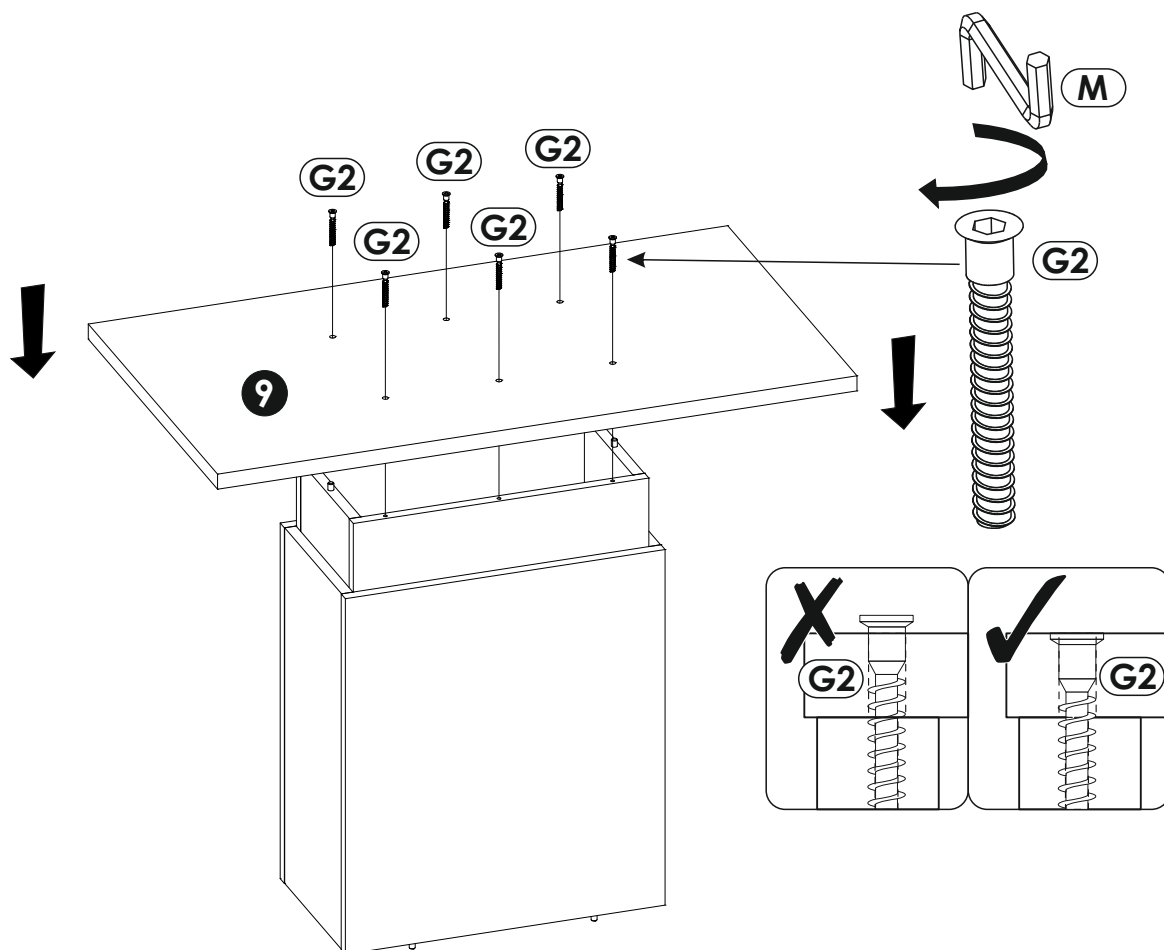
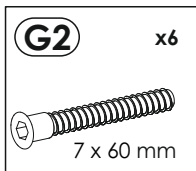
11 ▶



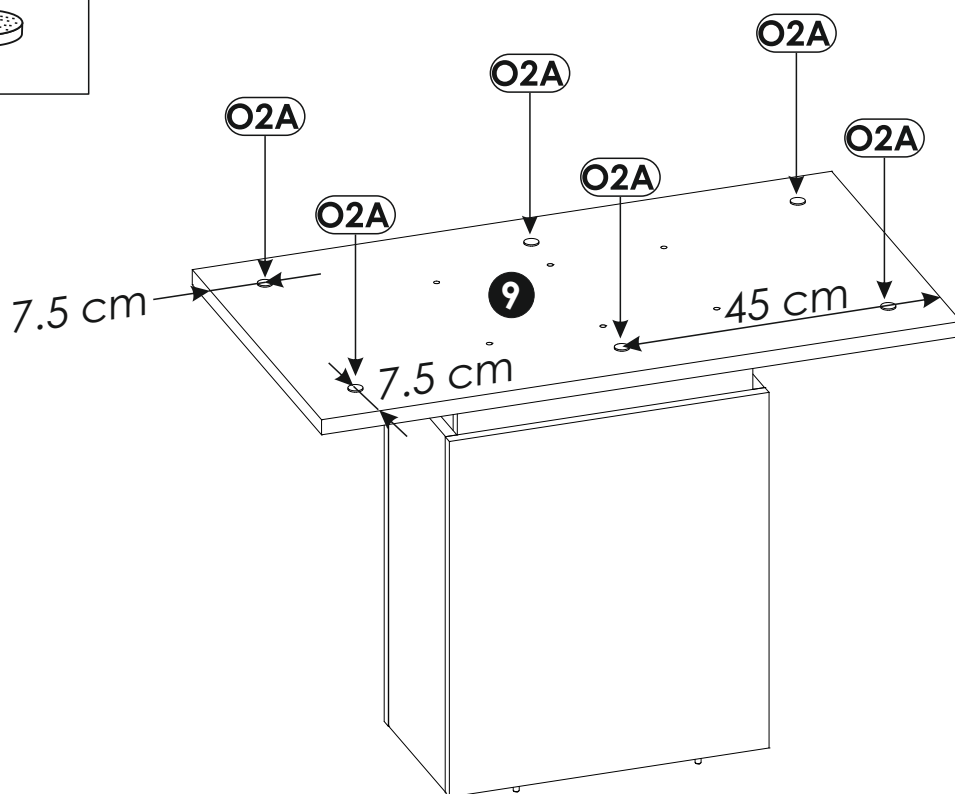
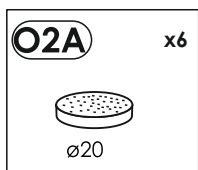
12 ▶

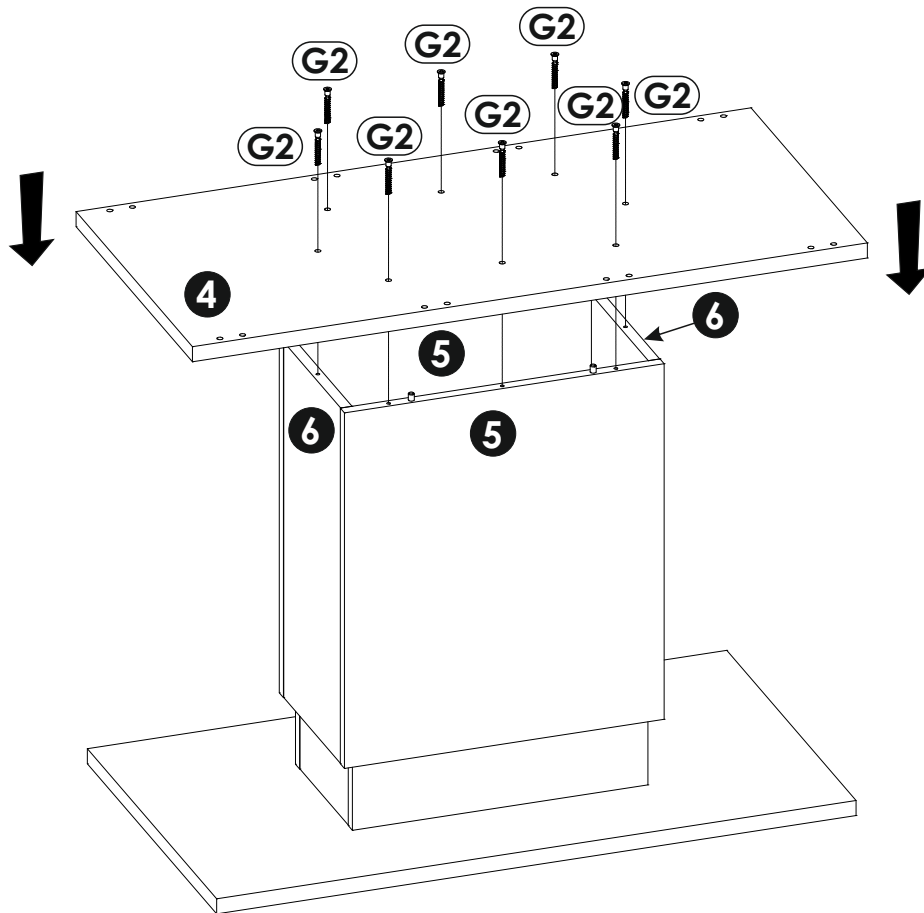
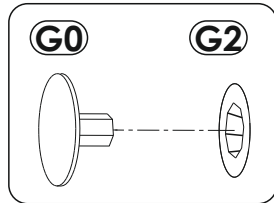
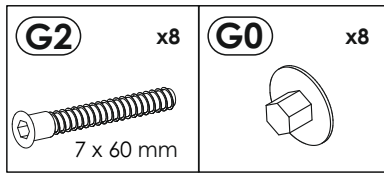


13▶


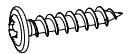
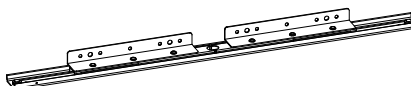



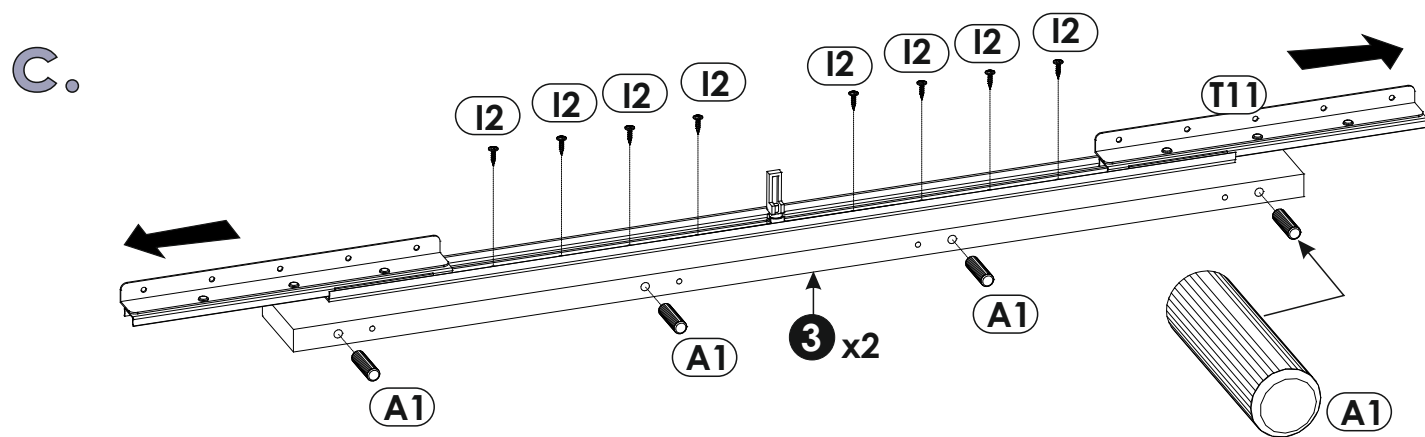
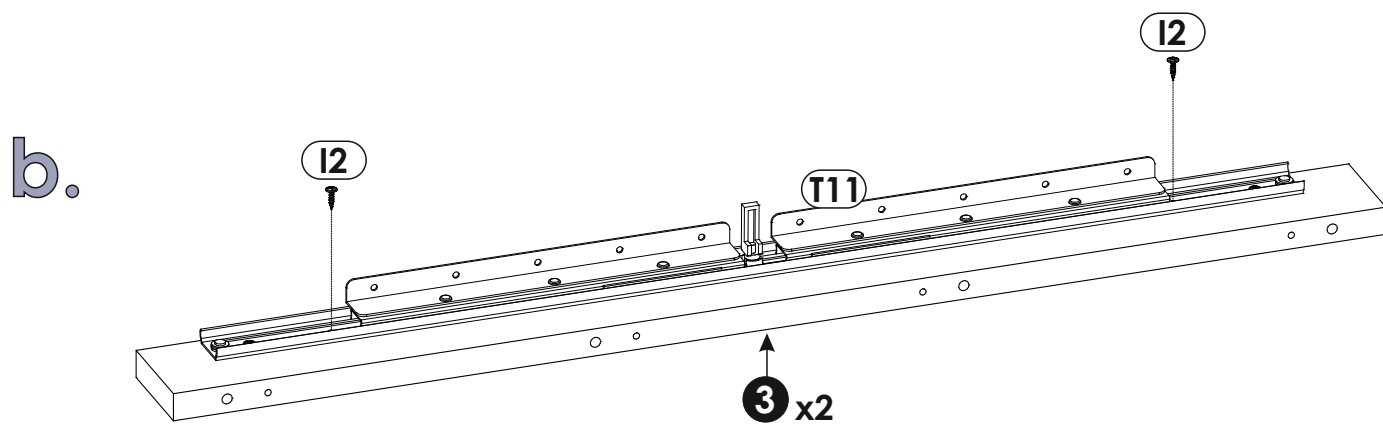
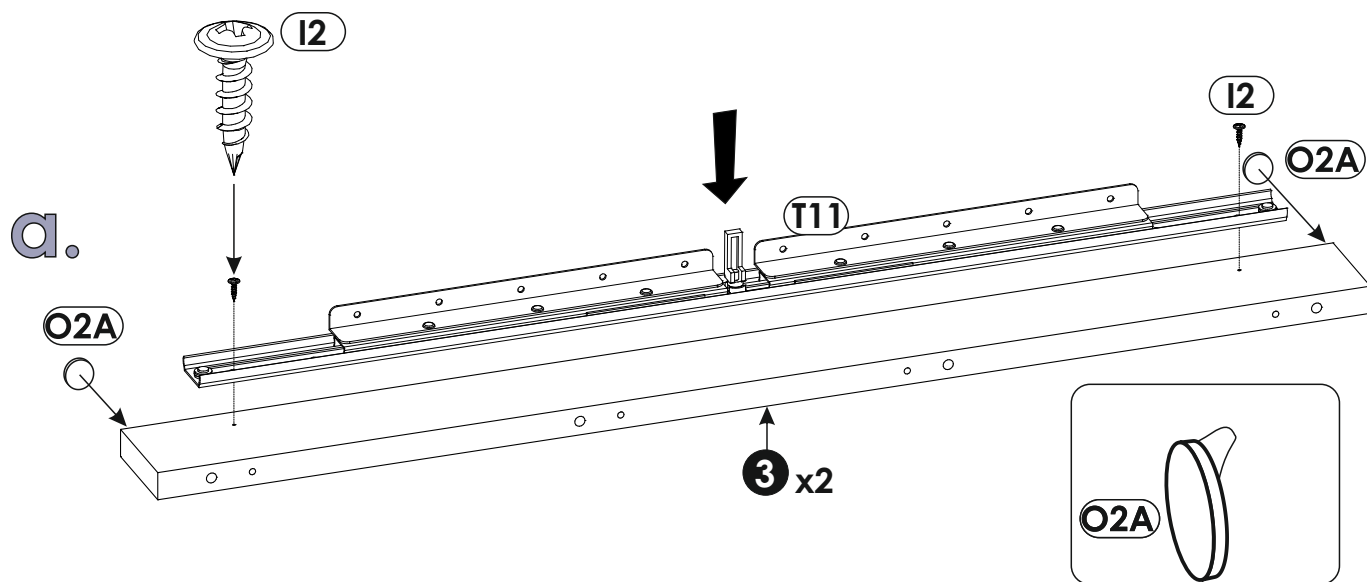
14▶



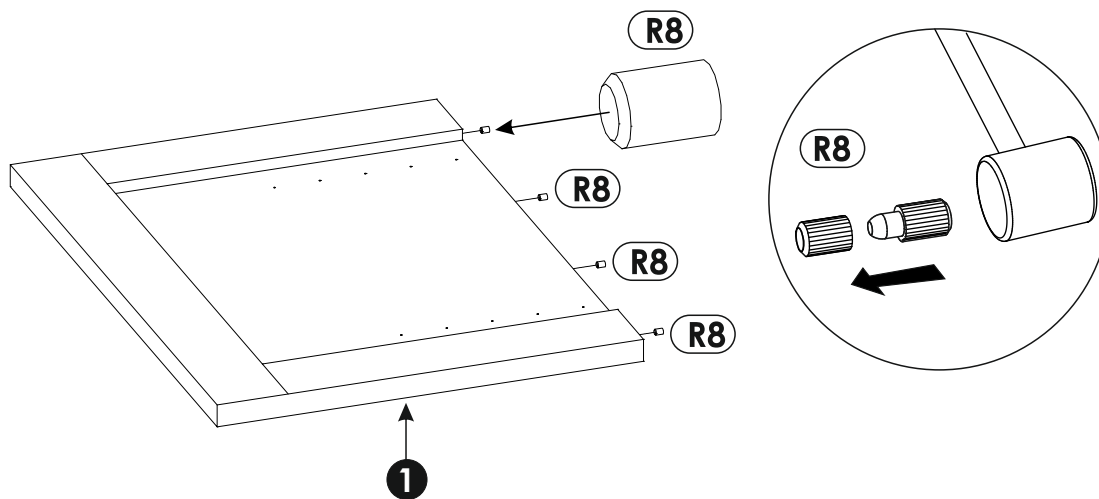
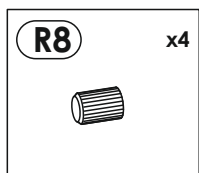


16 ▶

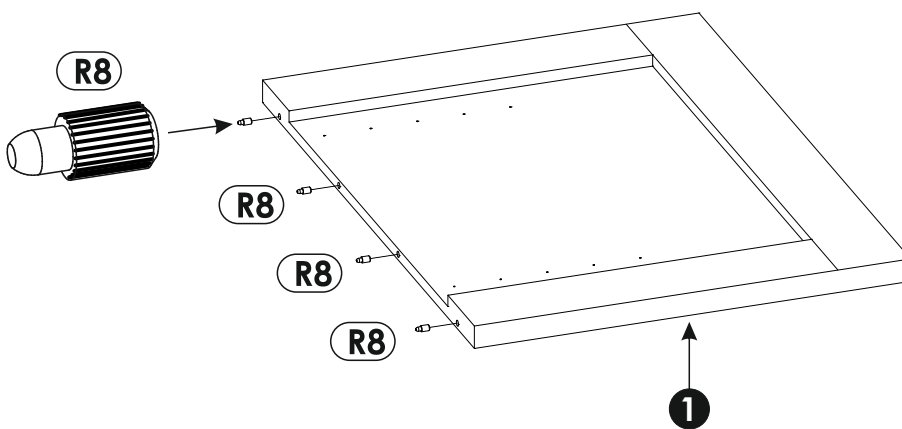
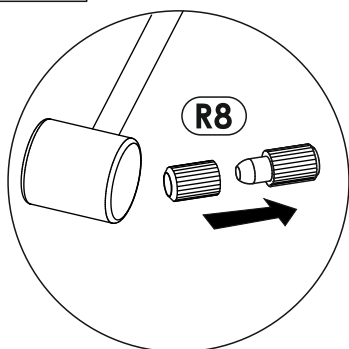
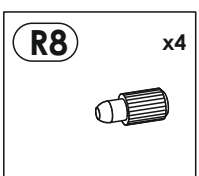
<p>A1 x8</p>  <p>8 x 35 mm</p>	<p>I2 x24</p>  <p>4 x 16 mm</p>	<p>T11 x2</p> 	<p>O2A x4</p>  <p>ø20</p>
--	---	---	---



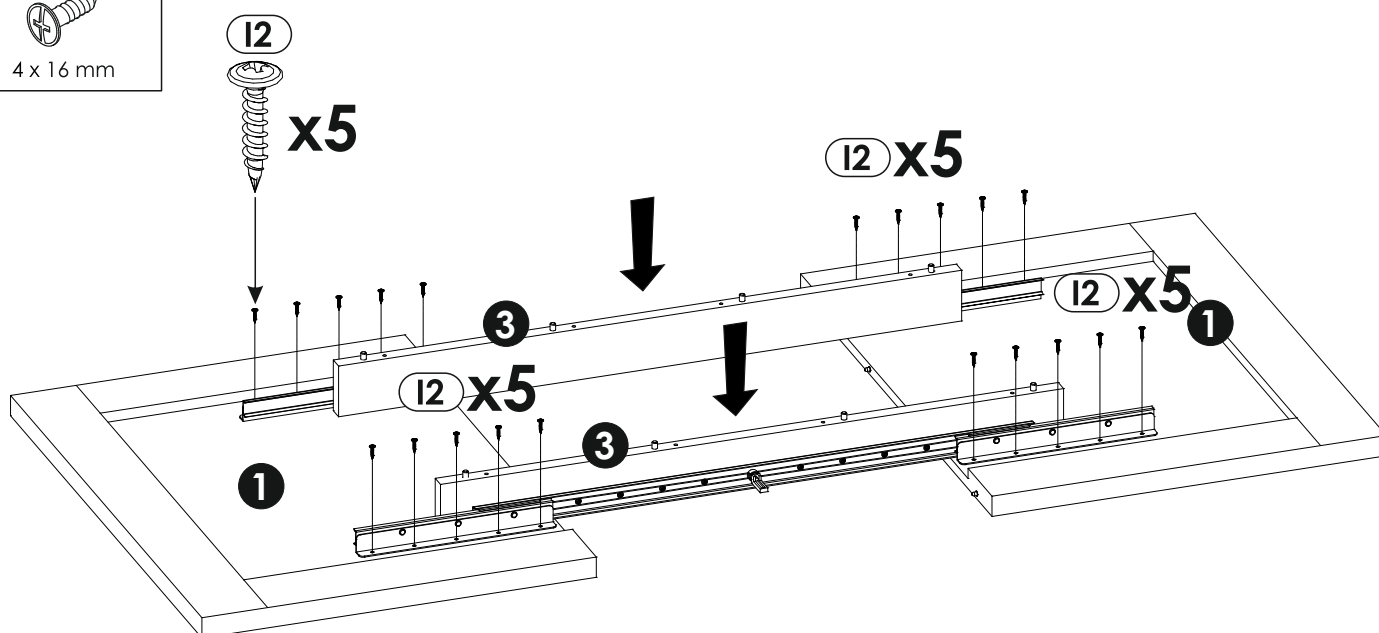
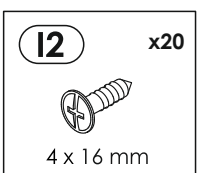
17▶



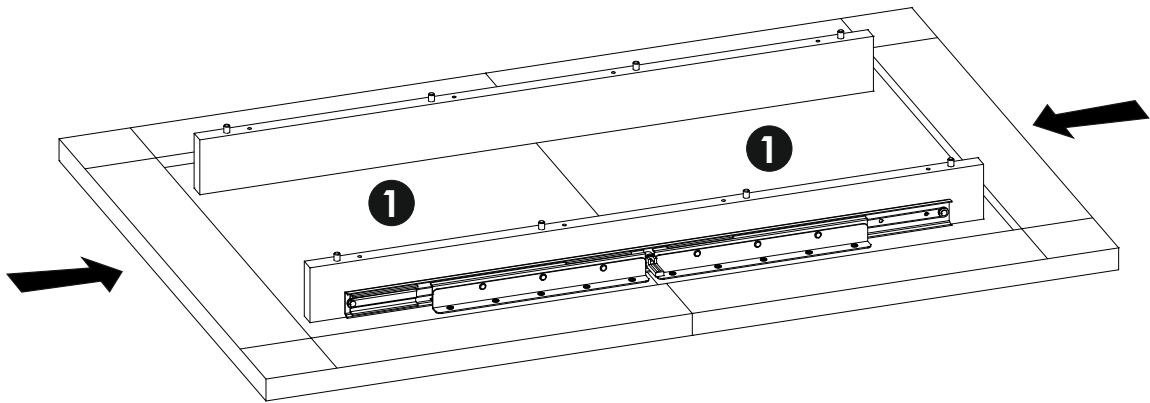
18▶



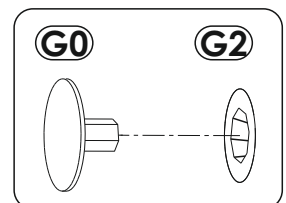
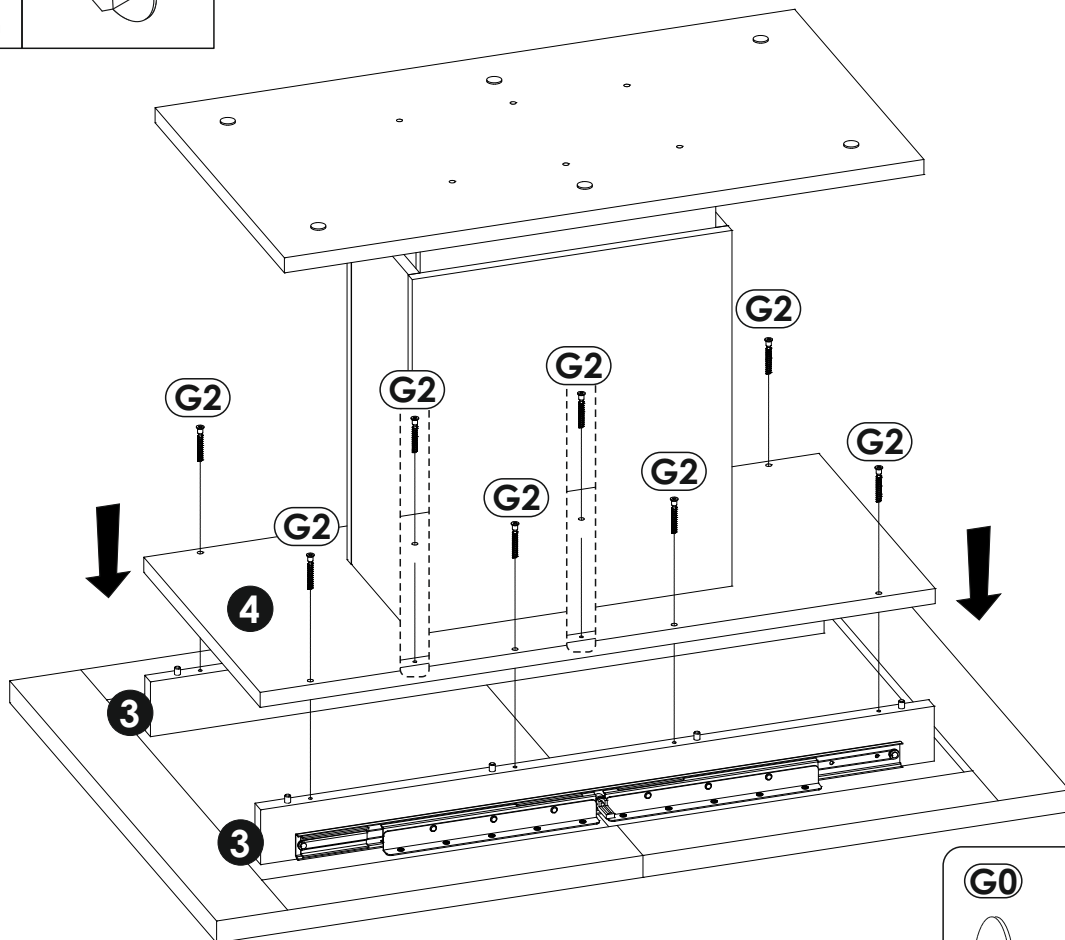
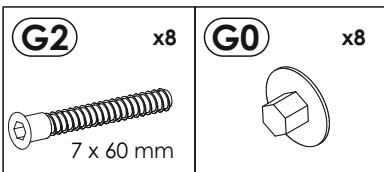
19▶



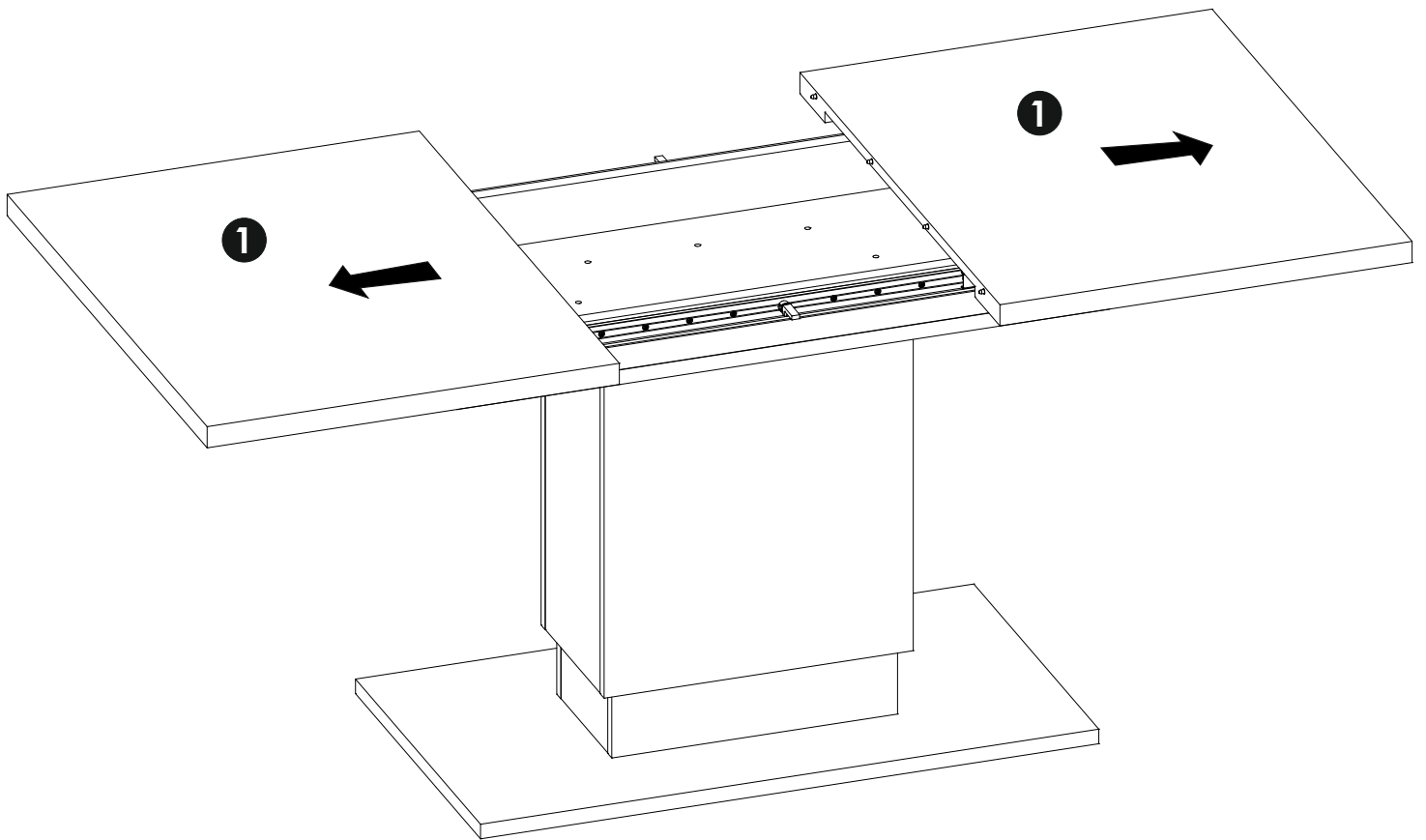
20 ▶






21 ▶

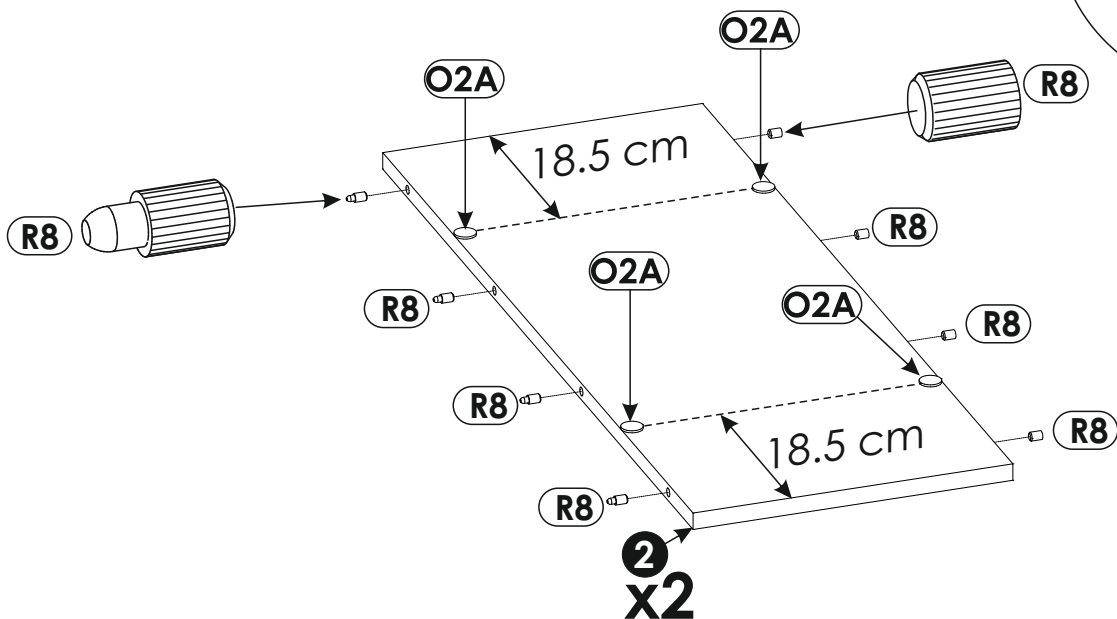
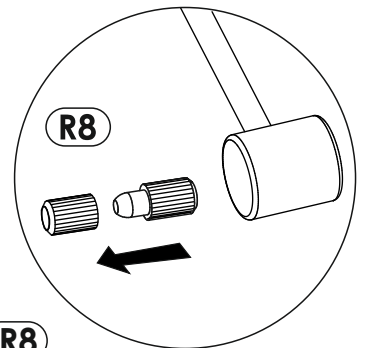


22 ▶

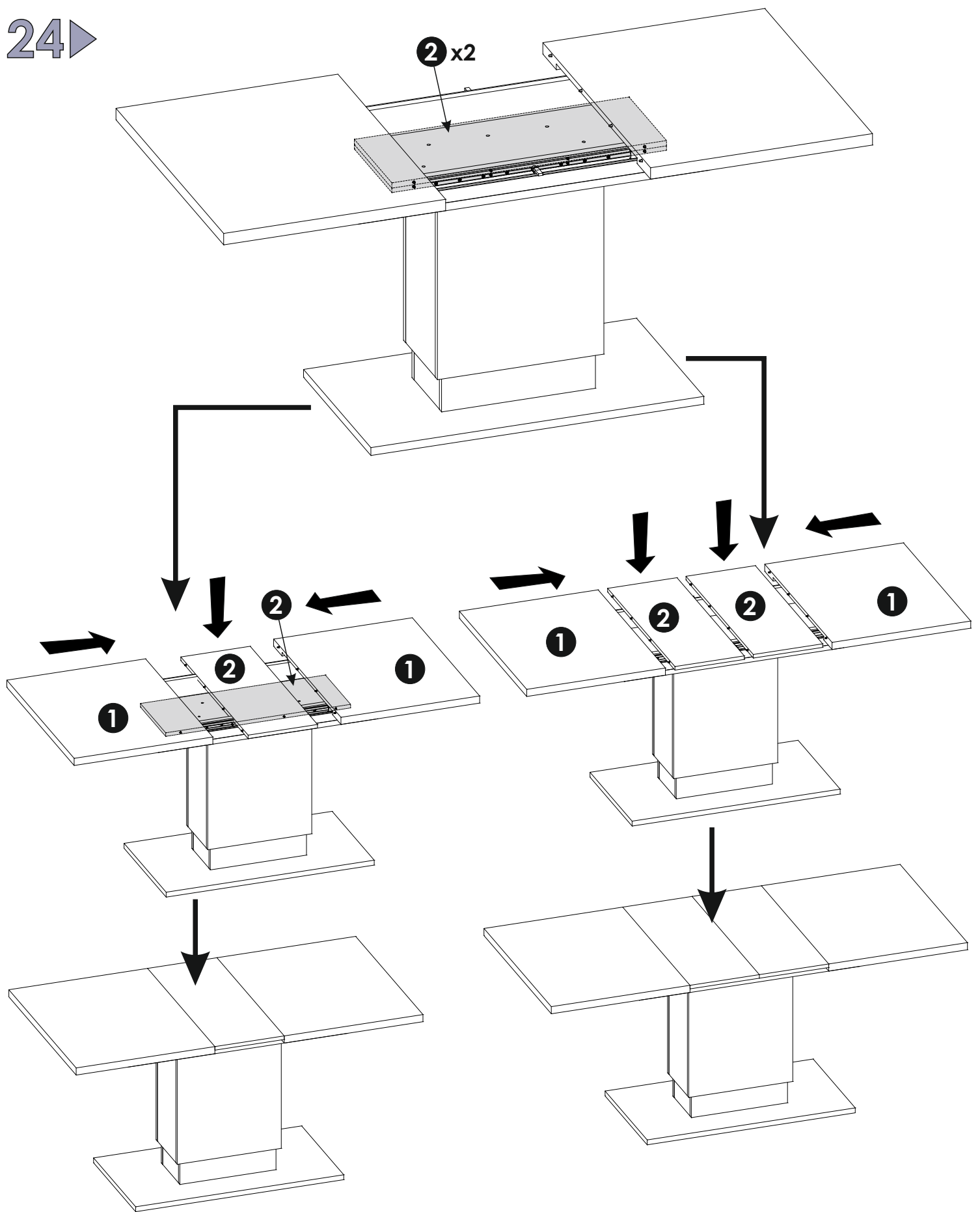


23 ▶

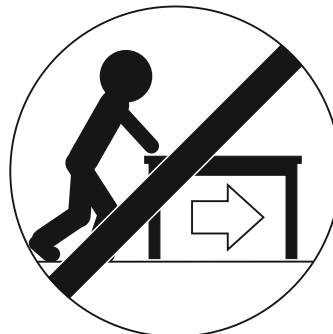
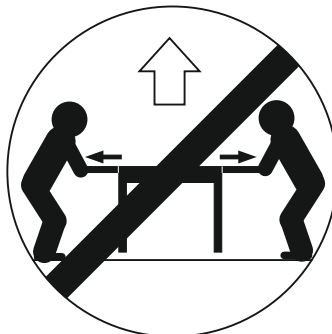
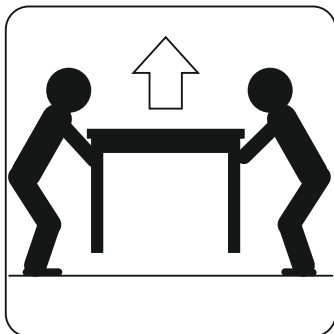
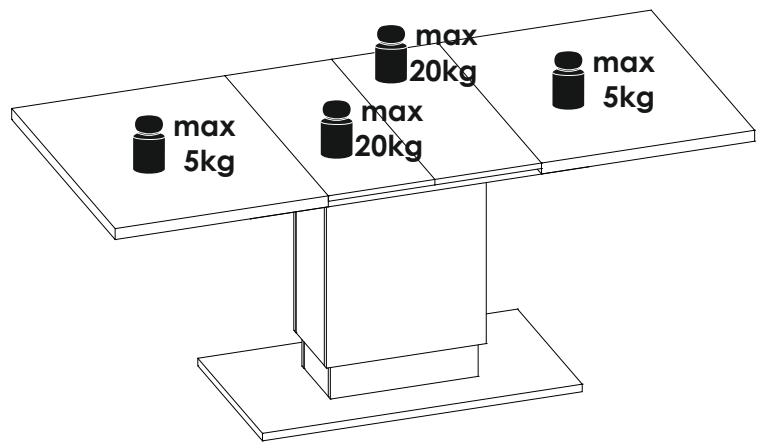
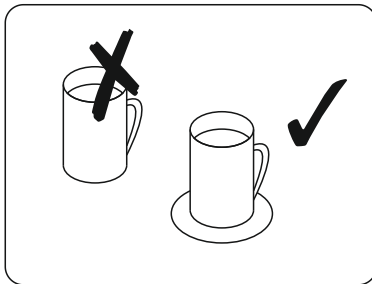
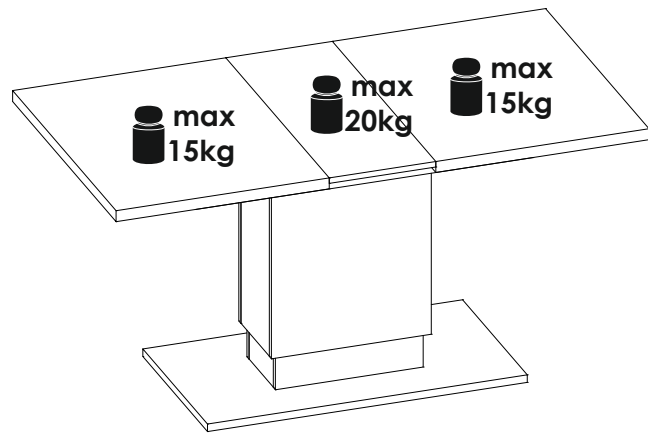
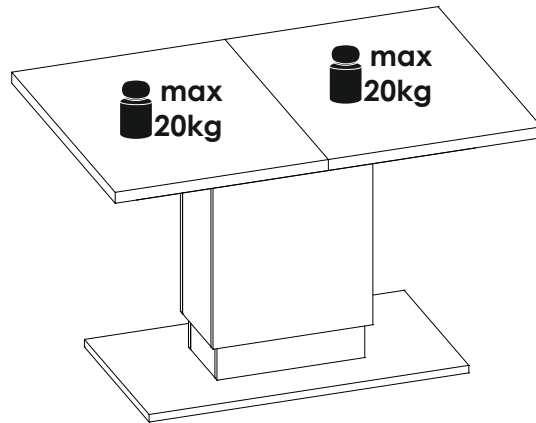
O2A x8	R8 x8	R8 x8
 ø20		

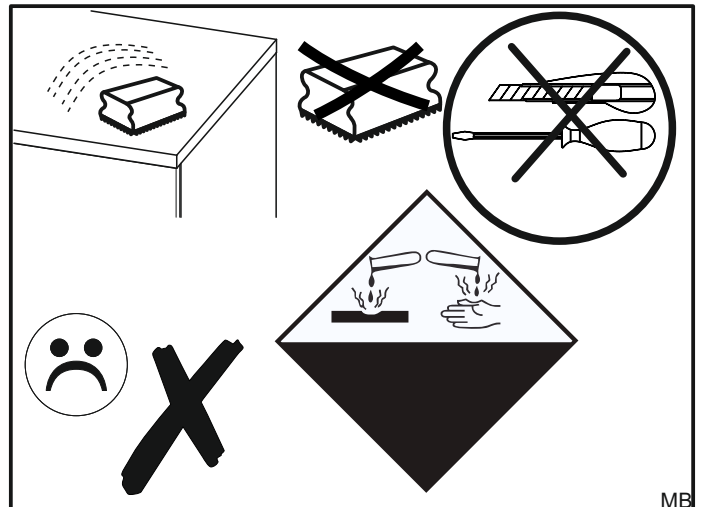
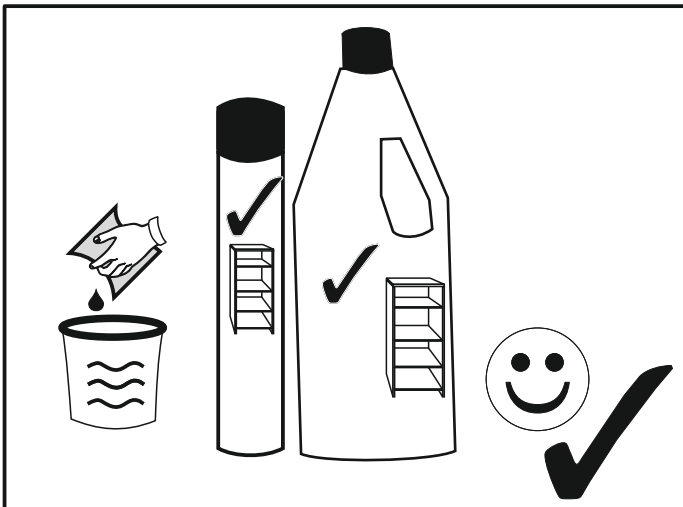
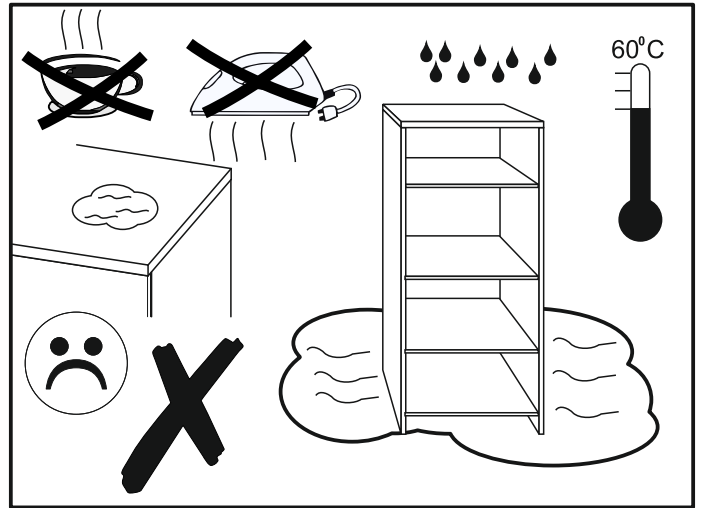
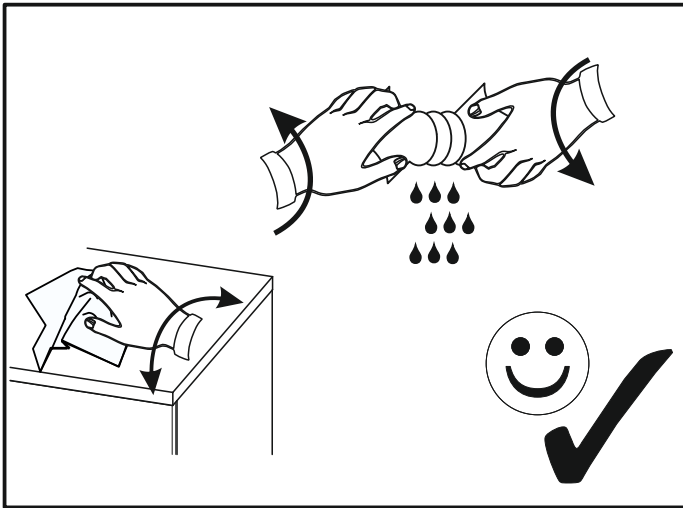
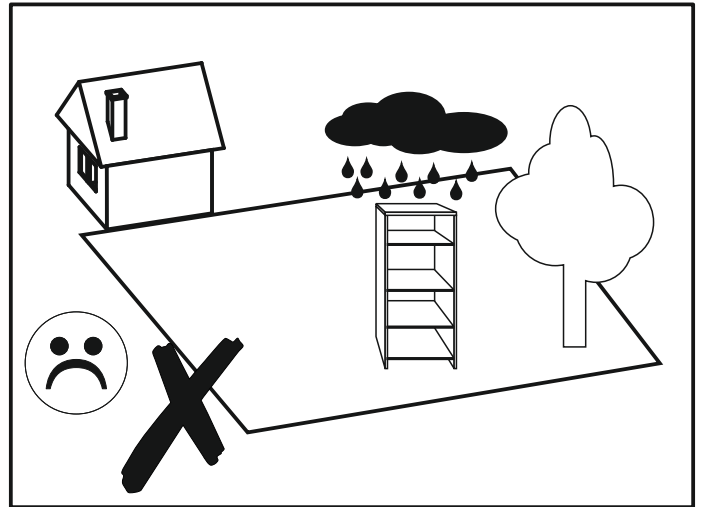
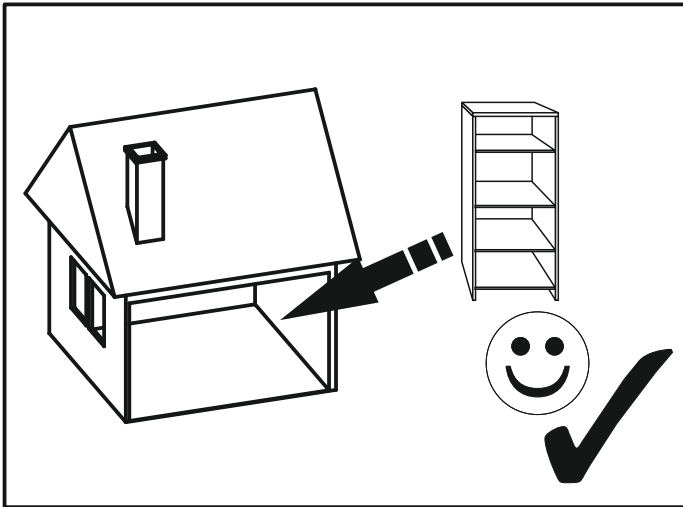


24▶



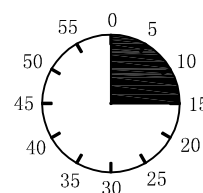
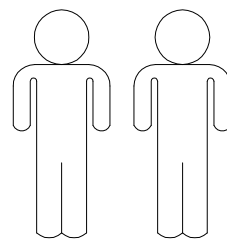
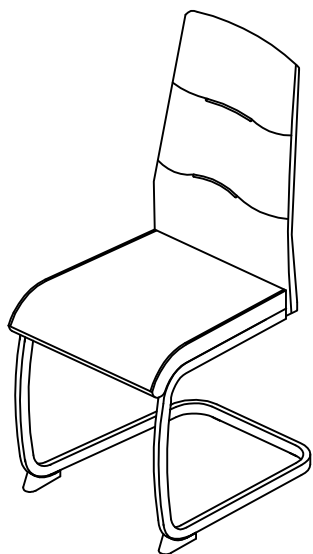
25▶





086-8874

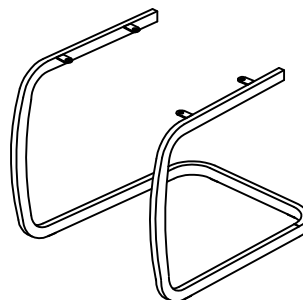
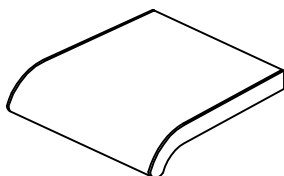
13042022



1

2

3



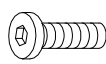
1	1X
2	1X
3	1X

A M6*12



4X

B M6*18



4X

C Ø18*Ø6.5*1.5



4X

D M4*20

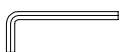


4X



2X

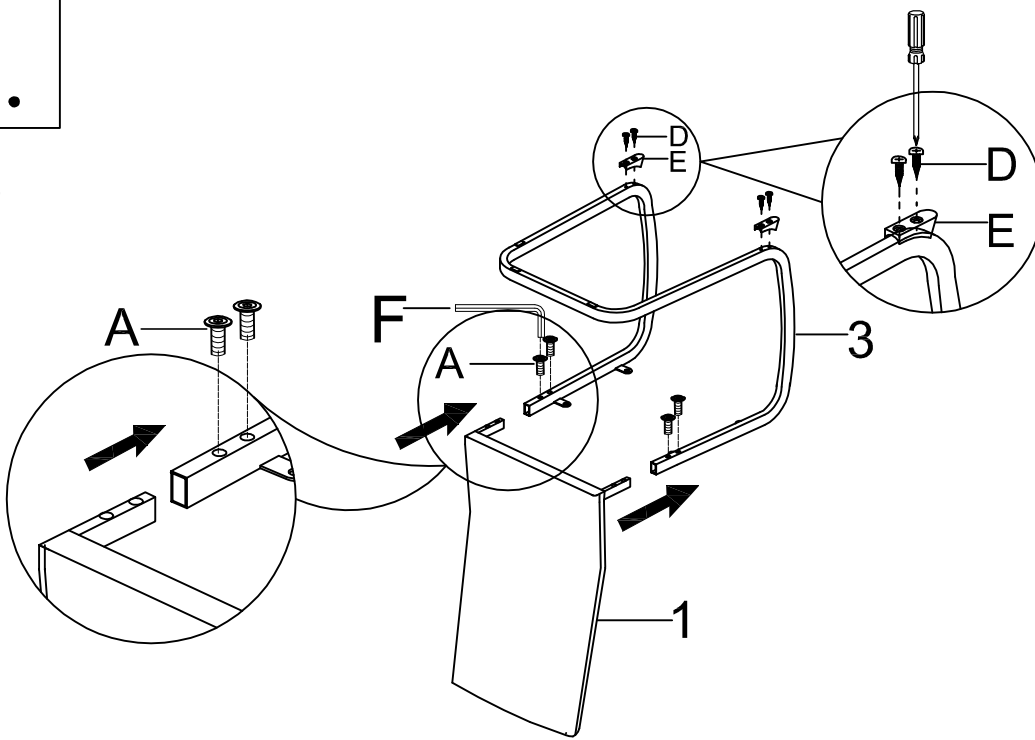
F 4mm



1X

I.

1.



A

M6*12



4X

D

M4*20



4X

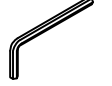
E



2X

F

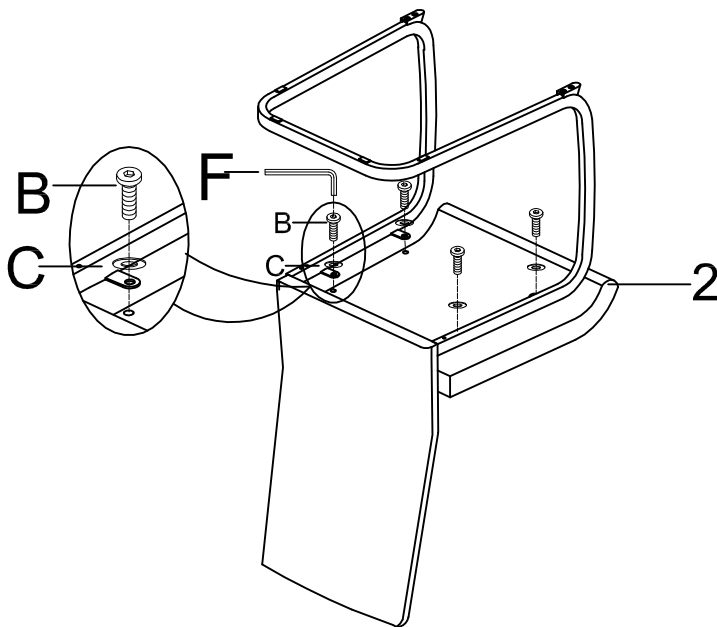
4mm



1X



2.



B

M6*18



4X

C

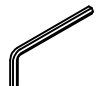
Ø18*Ø6.5*1.5



4X

F

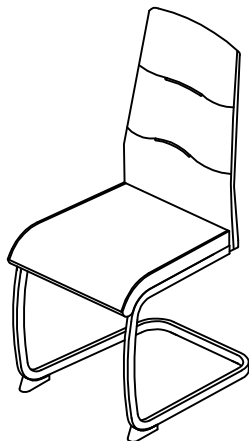
4mm



1X

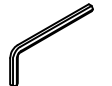


3.



F

4mm



1X

