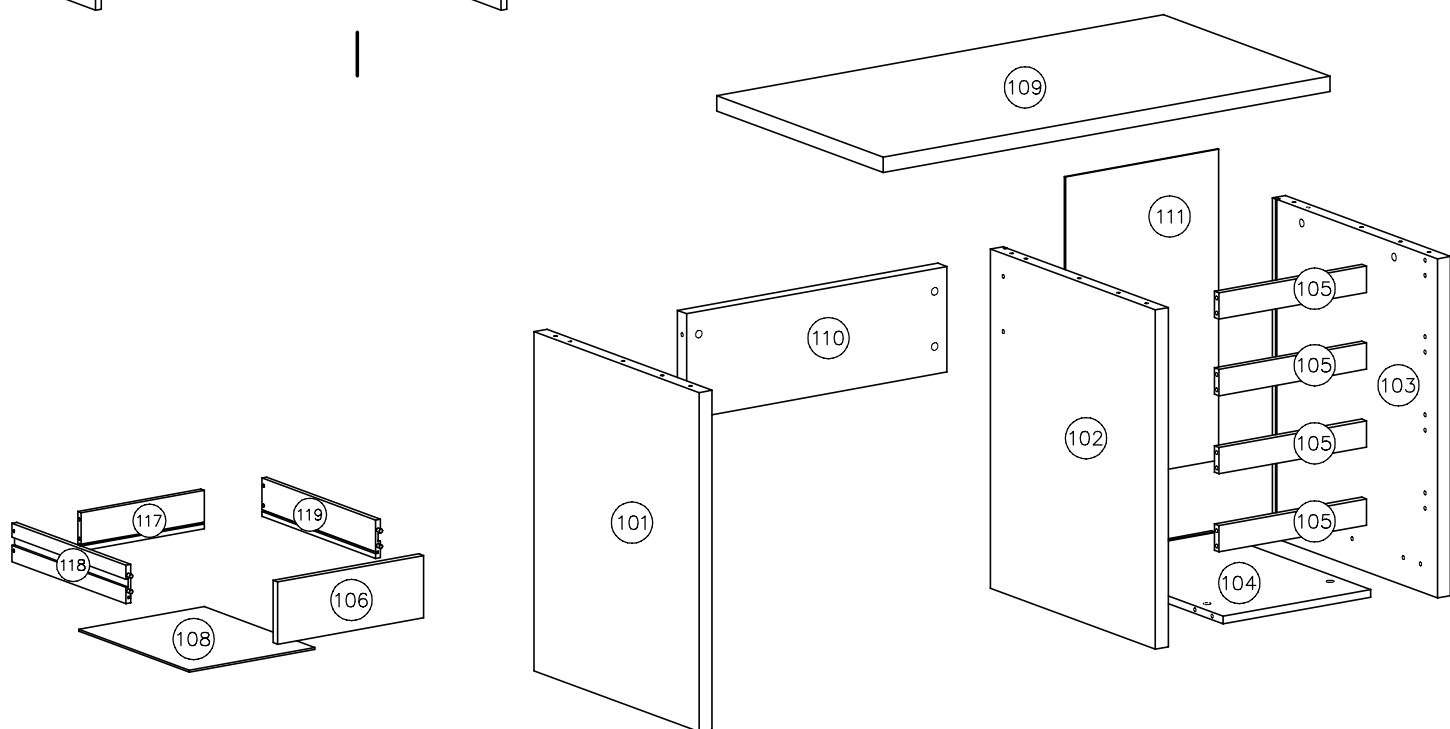
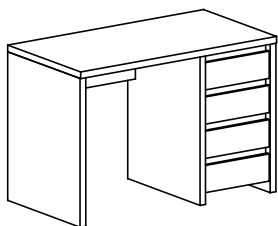
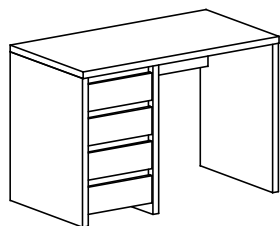
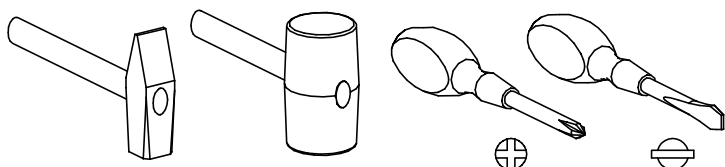
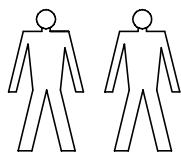
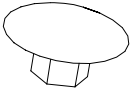
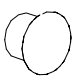
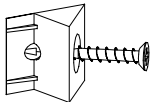
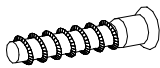

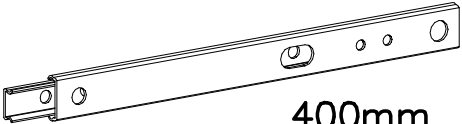
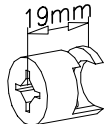
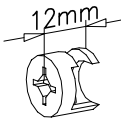
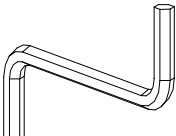


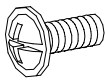
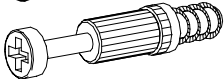
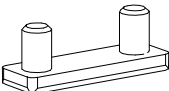
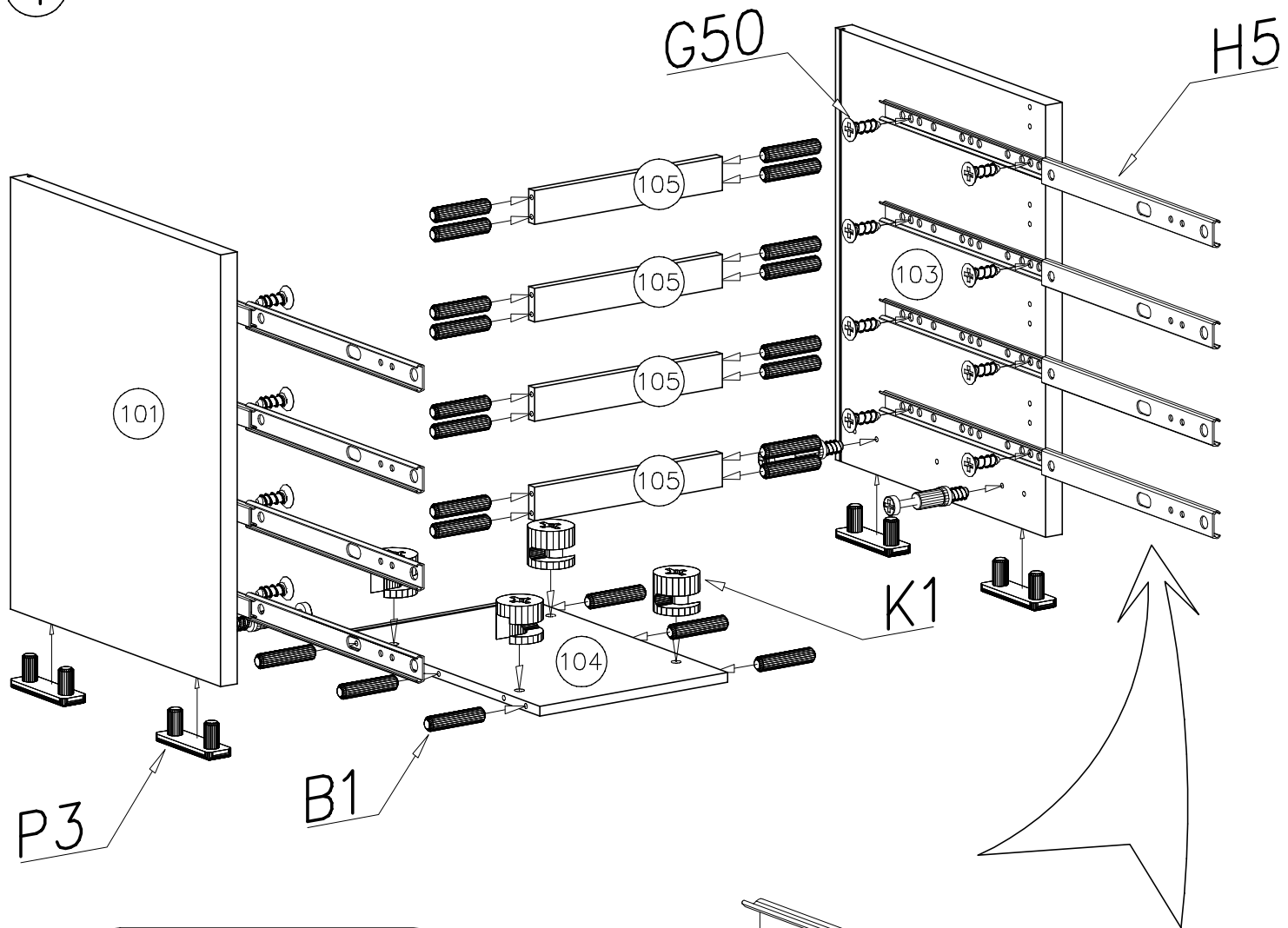


# NETWORK IV



	I7  x14	I4  ø5 x4	I1  x6
A6  ø7x40 x16	G50  6x13 x16	H5  400mm x8	
K2  ø15x19 x10	K1  ø15x12 x4	W2  x1	W1  GLUE, LEIM, LEPIDLO, LIM x2
B1  ø8x35 x31	N1  M4x9 x8	K10  x14	P3  x6

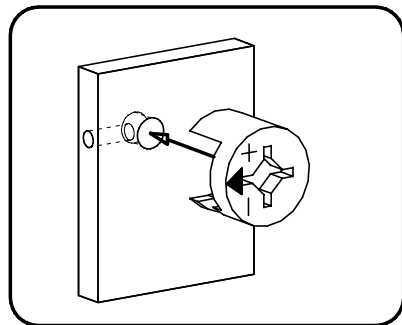
1



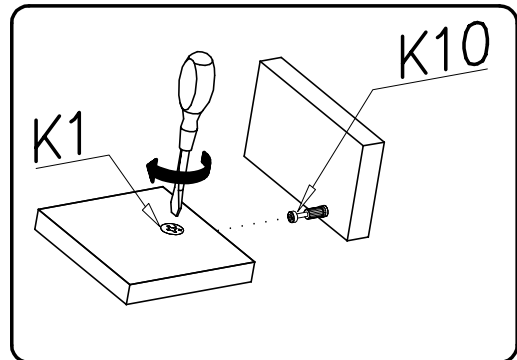
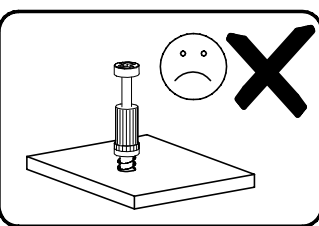
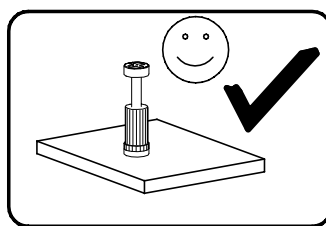
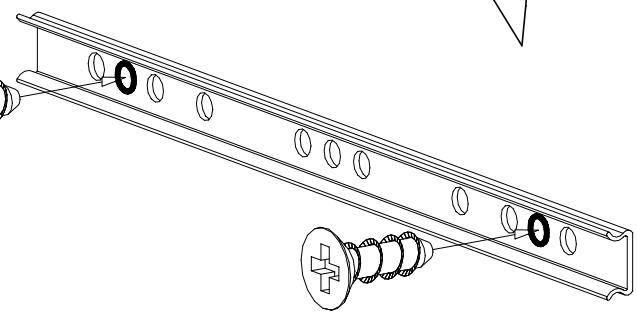
P3

B1

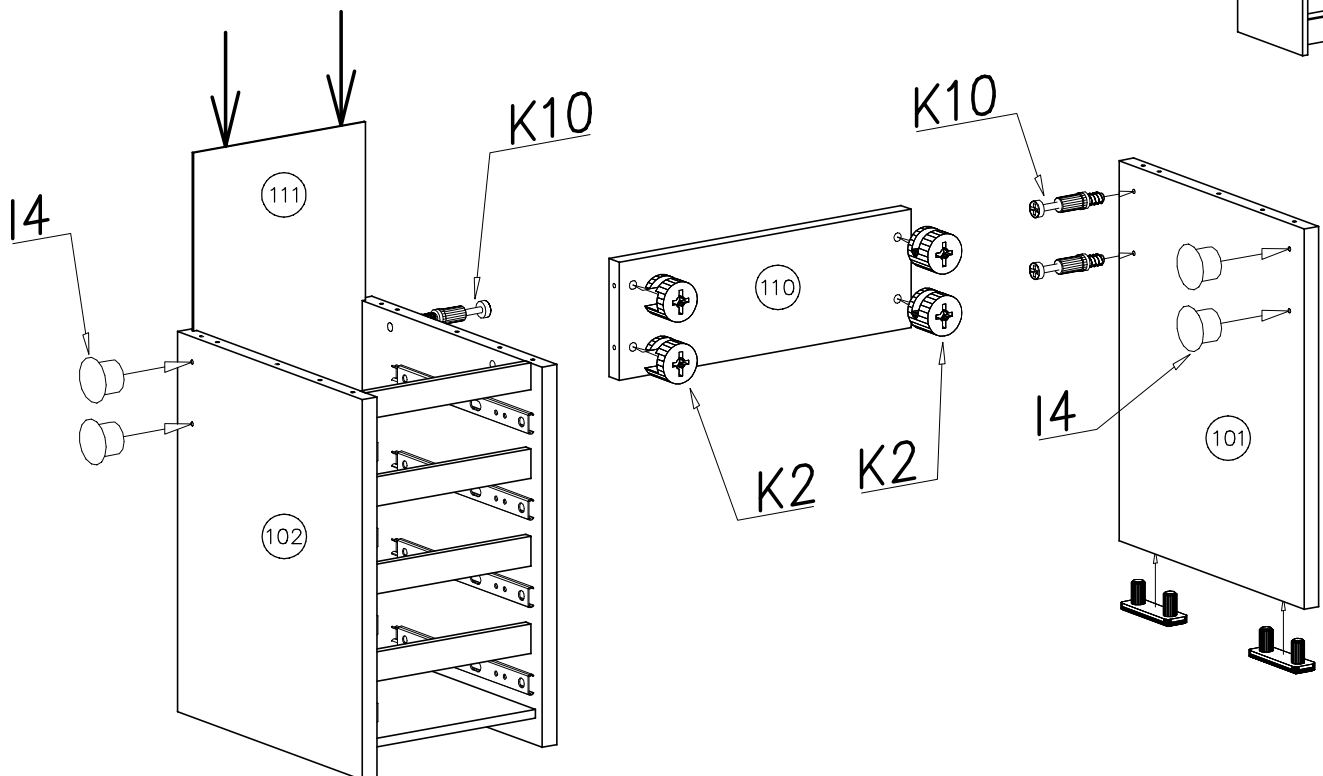
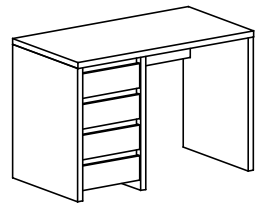
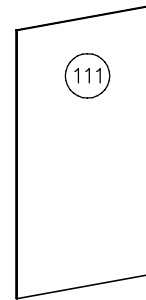
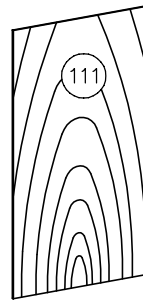
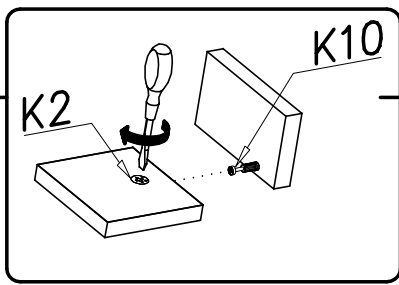
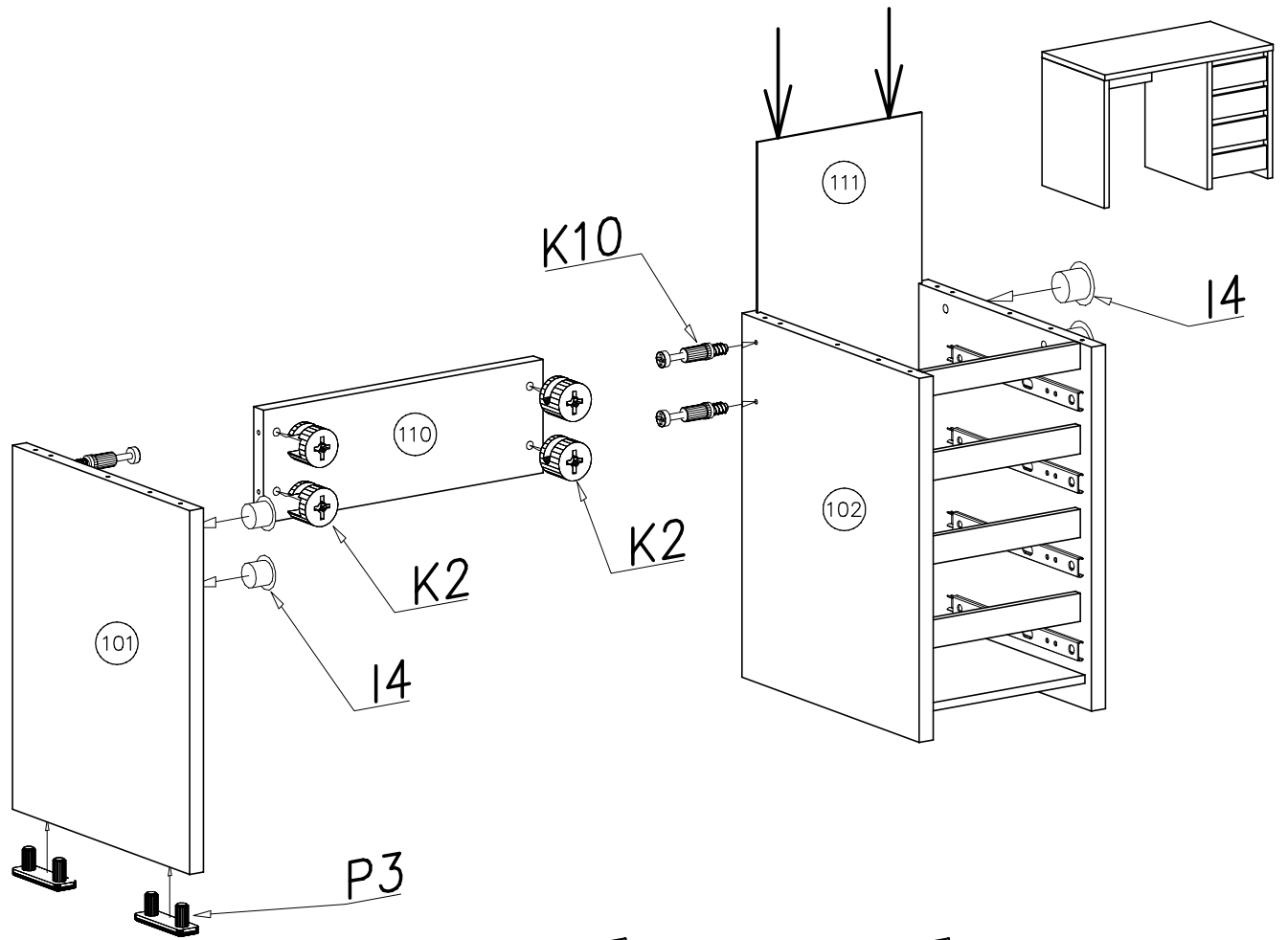
K1



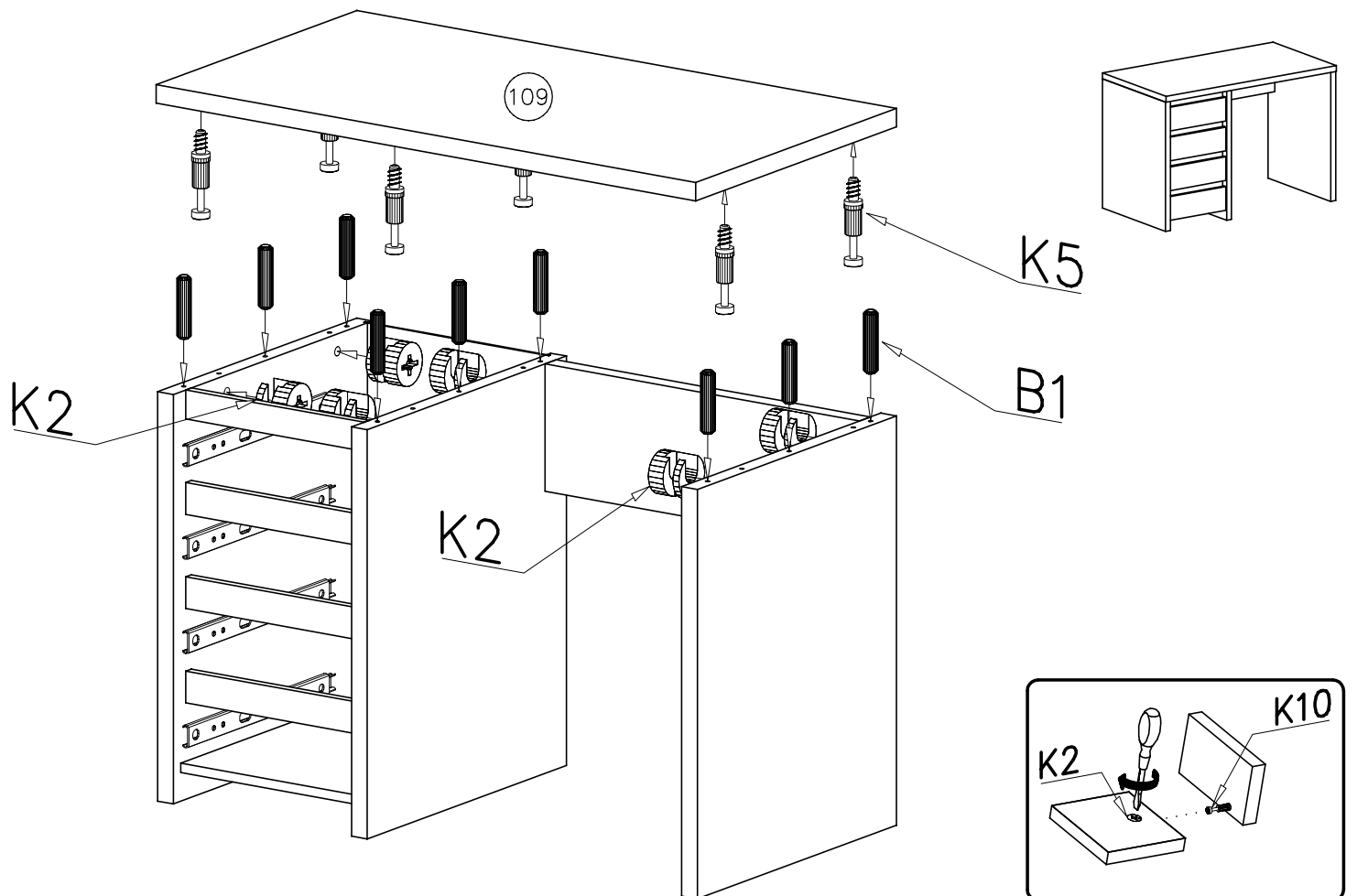
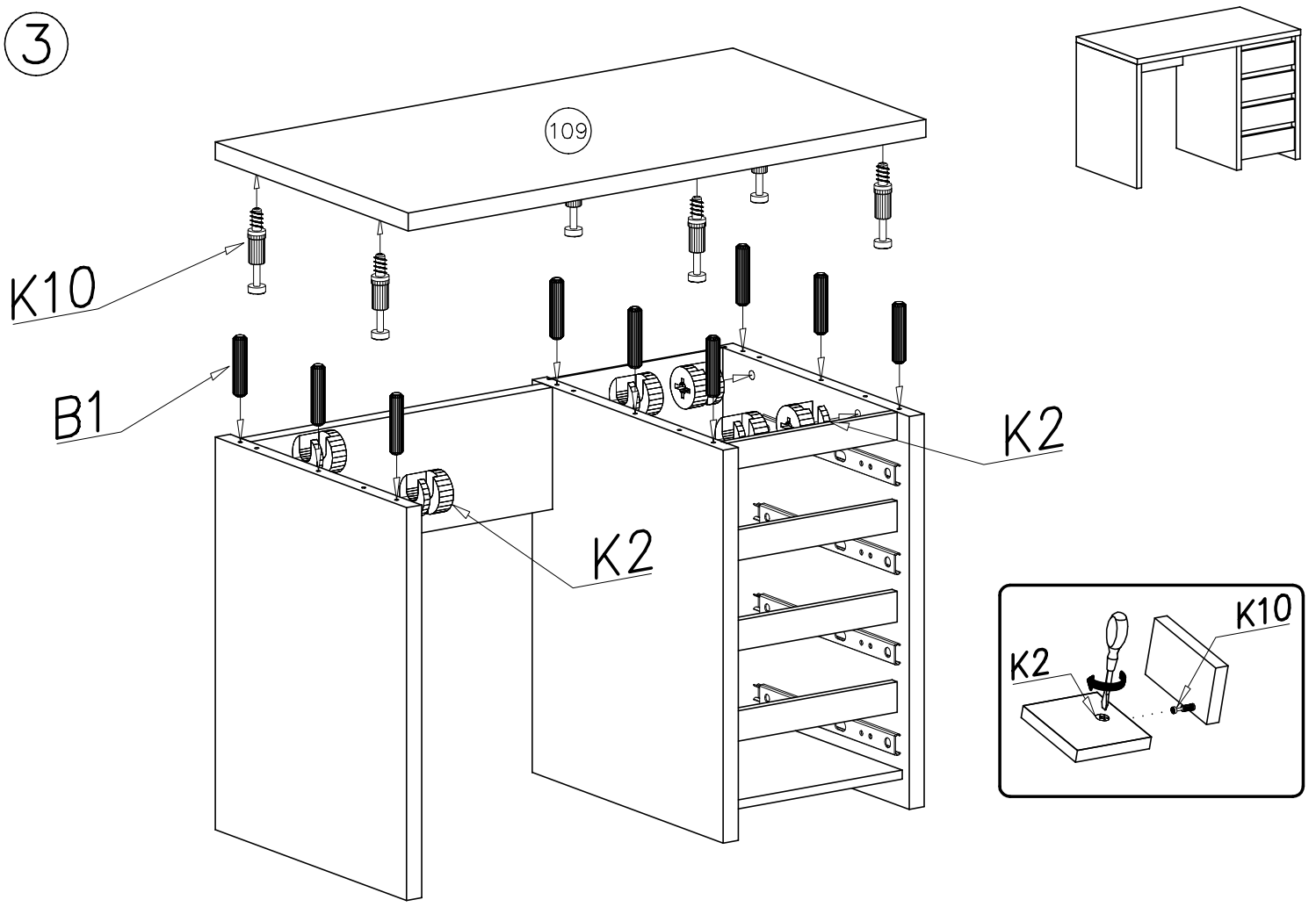
G50



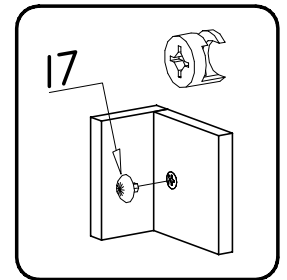
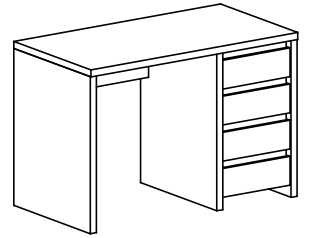
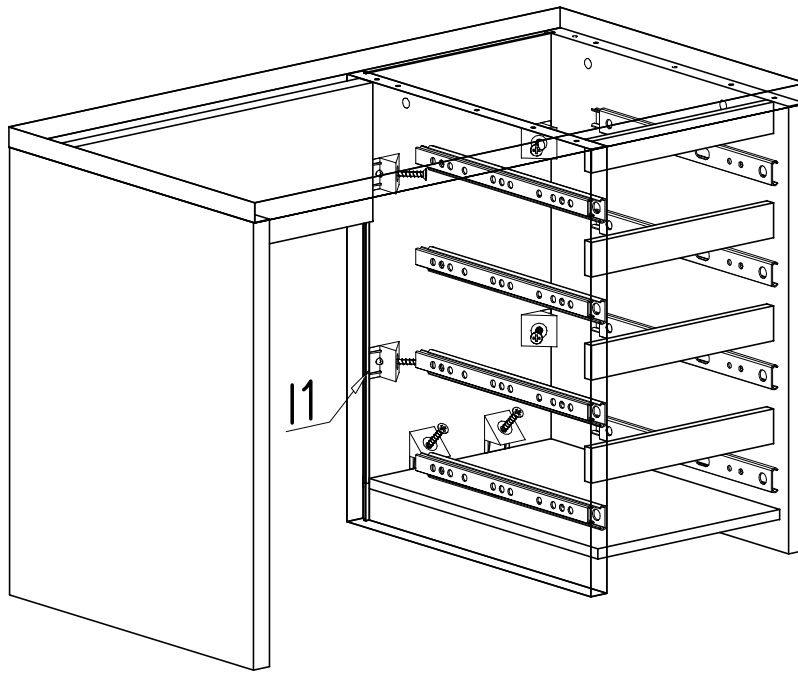
2



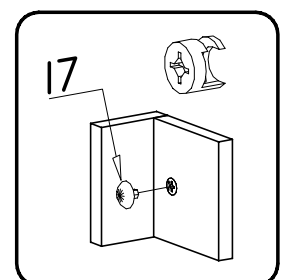
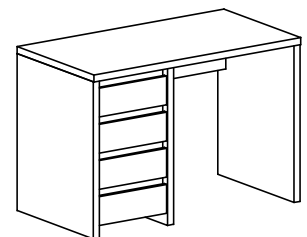
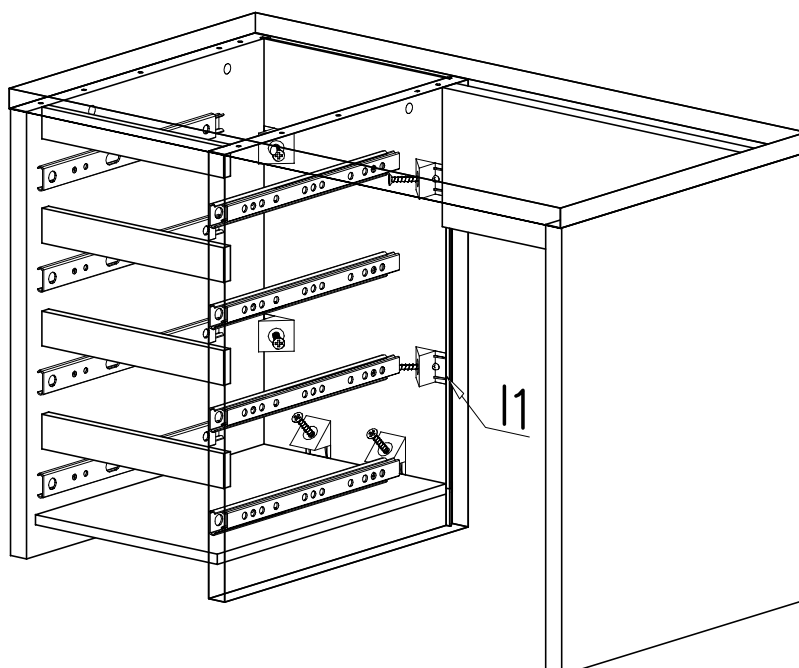
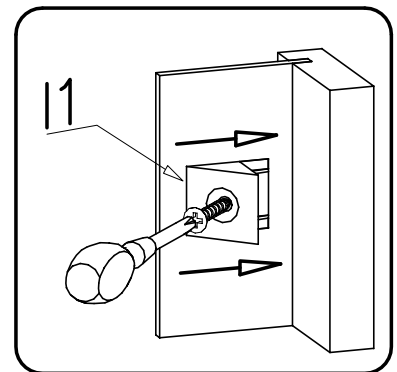
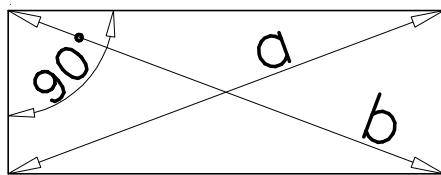
3



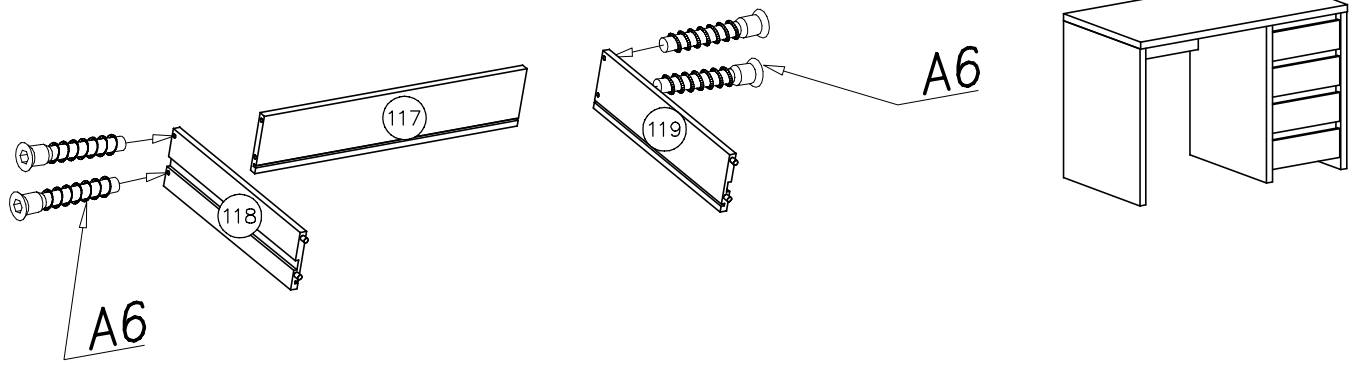
4



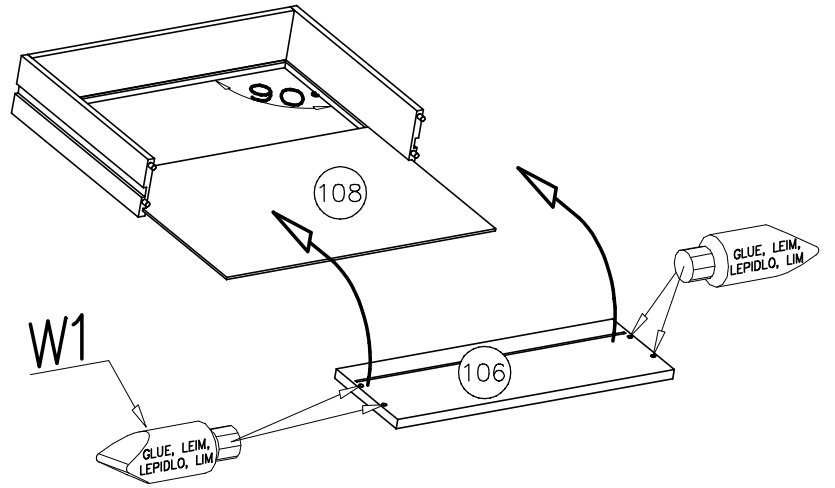
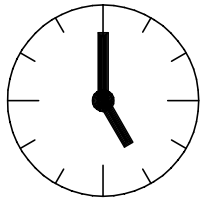
$a=b$



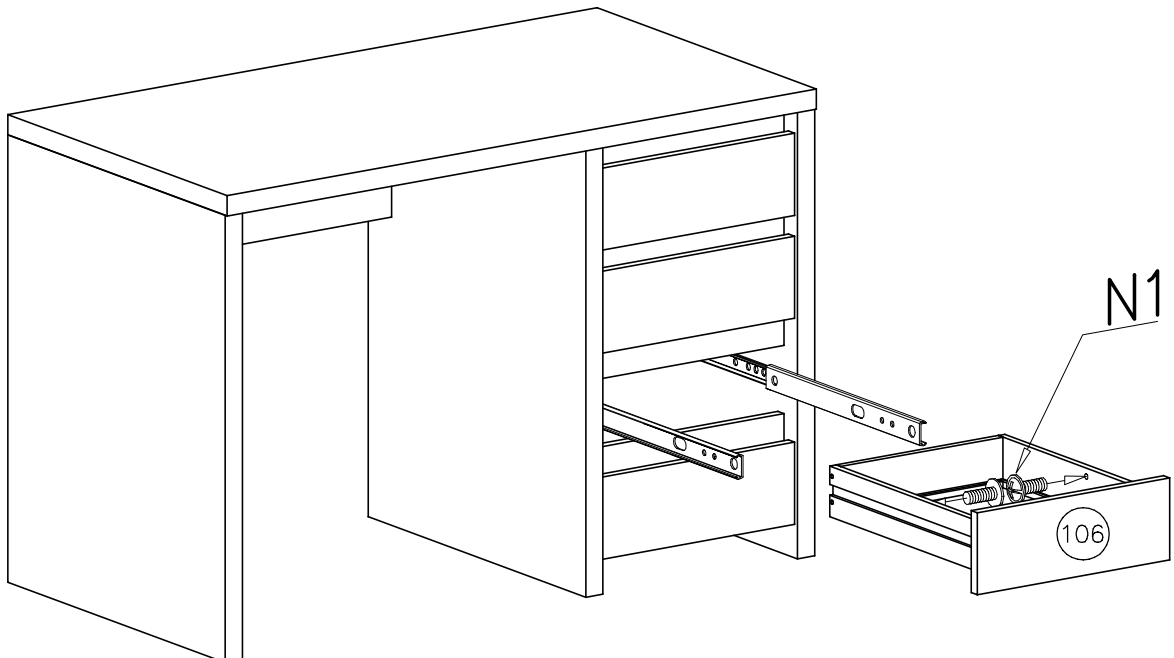
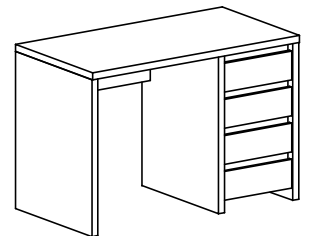
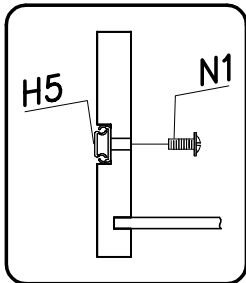
5



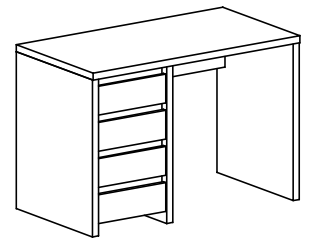
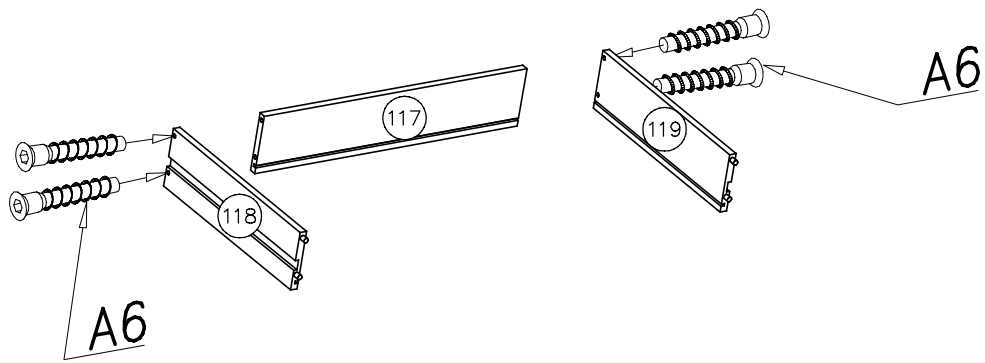
0,5h



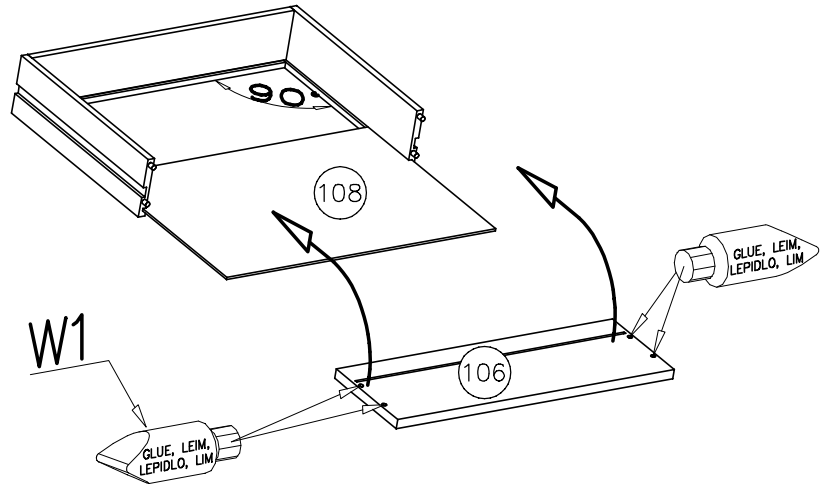
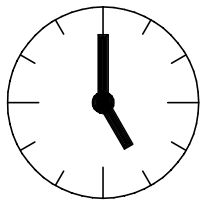
6



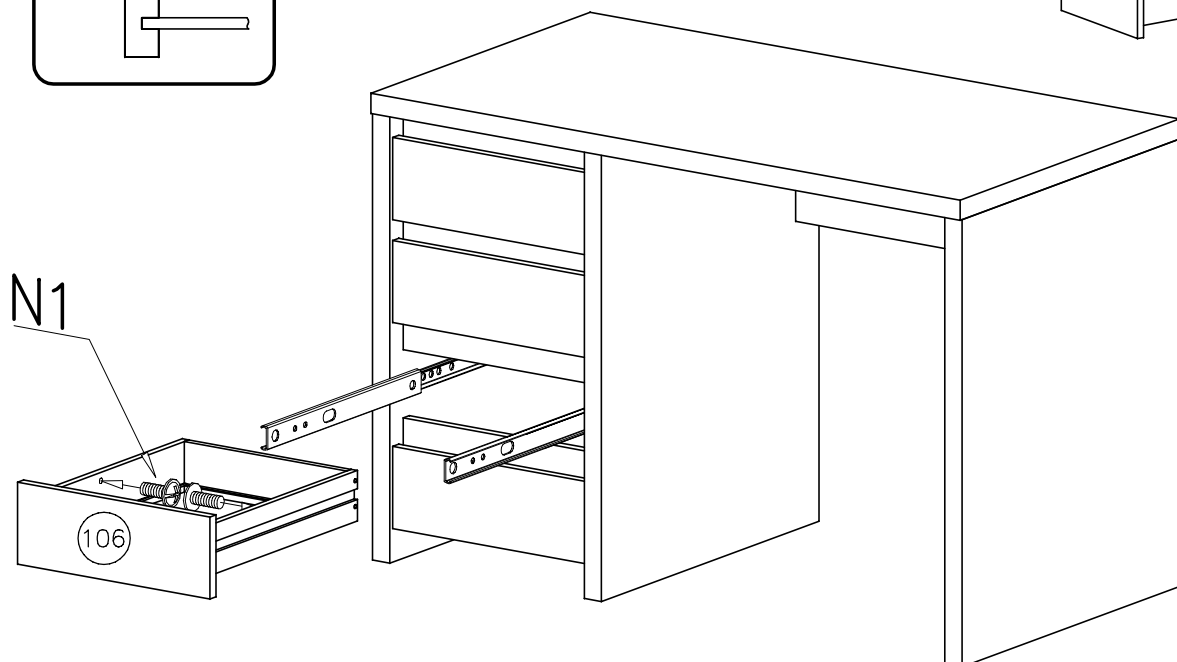
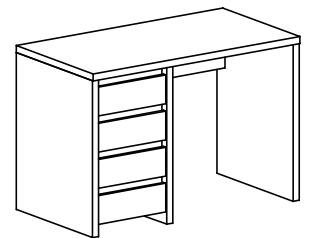
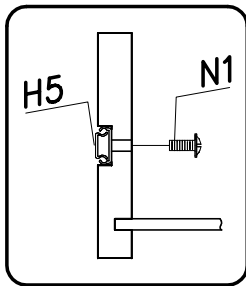
5



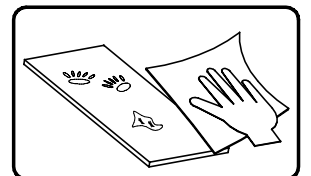
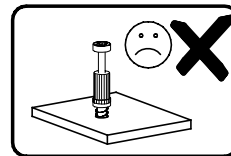
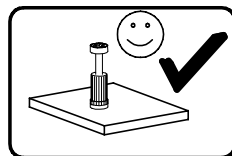
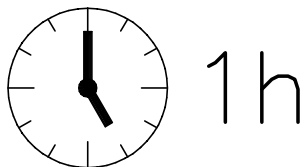
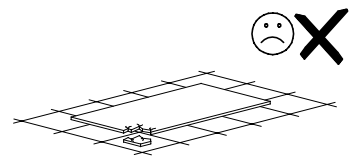
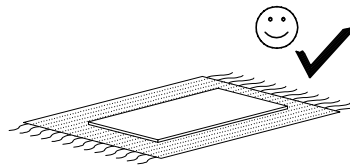
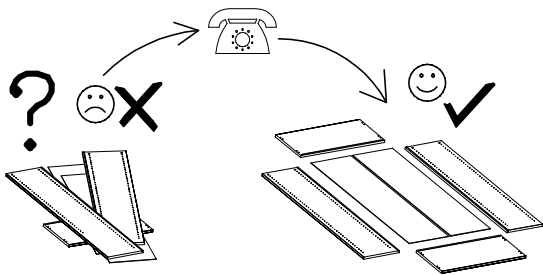
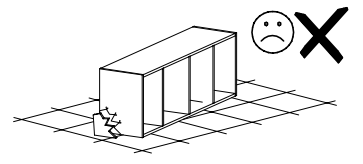
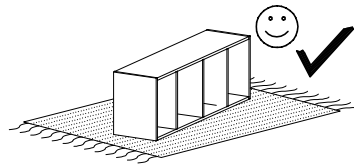
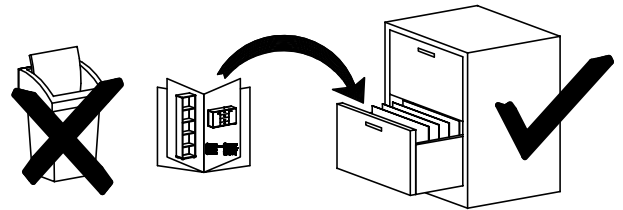
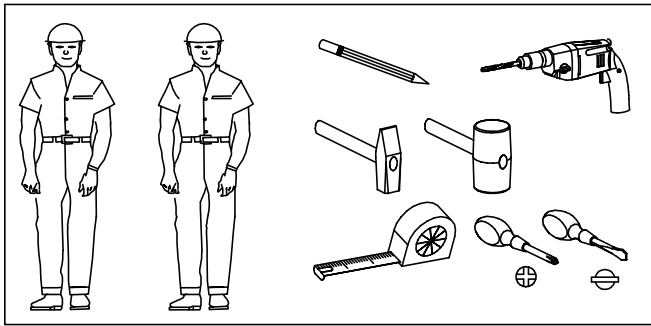
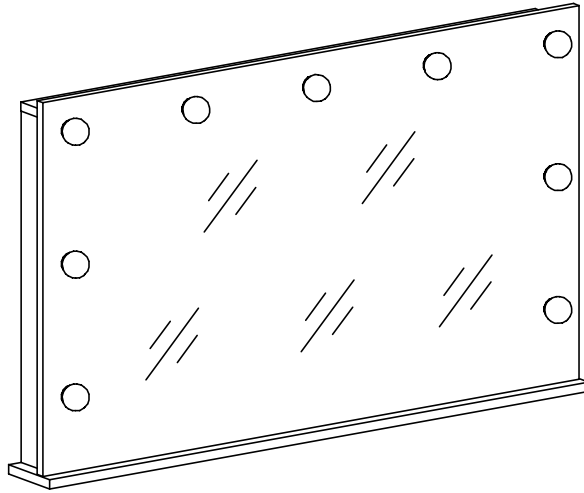
0,5h



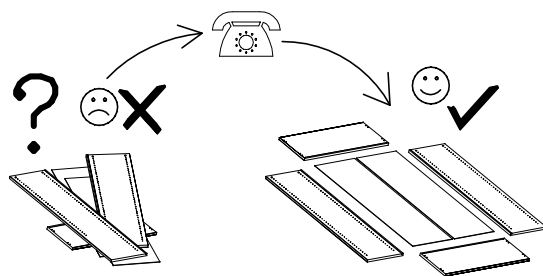
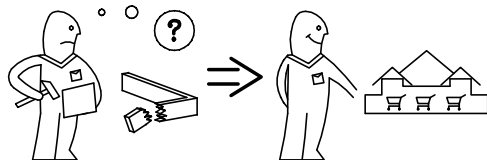
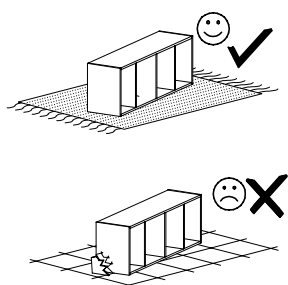
6



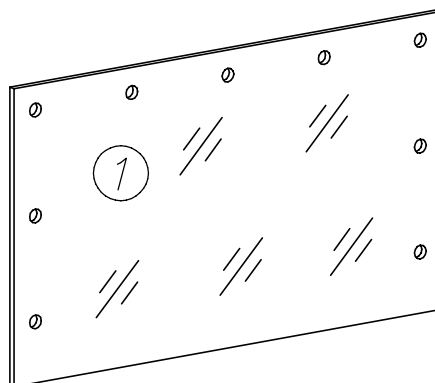
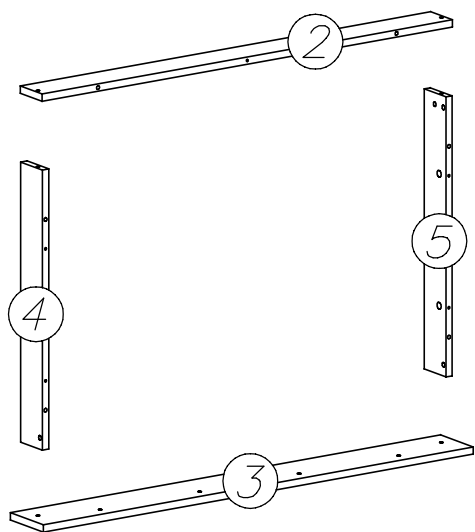
# MADA ELITE



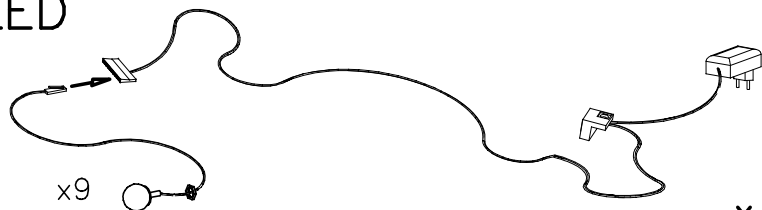




nr	L[mm]	B[mm]	T[mm]	Menge	Colli
1	1100	650	16	1	1/1
2	1055	79	16	1	1/1
3	1104	120	16	1	1/1
4	611	79	16	1	1/1
5	611	79	16	1	1/1



## LED



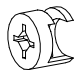
## G3

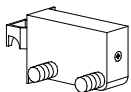


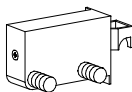
x...(1)

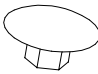
4x30


x...(2)

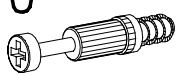
**K1**   $\varnothing 15 \times 12$  x...(5)


**U9L**  x...(1)

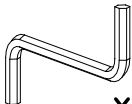
**U9R**  x...(1)

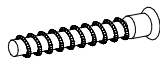
**I7**   $\varnothing 18$  x...(5)


**I10**   $\varnothing 10$  x...(1)

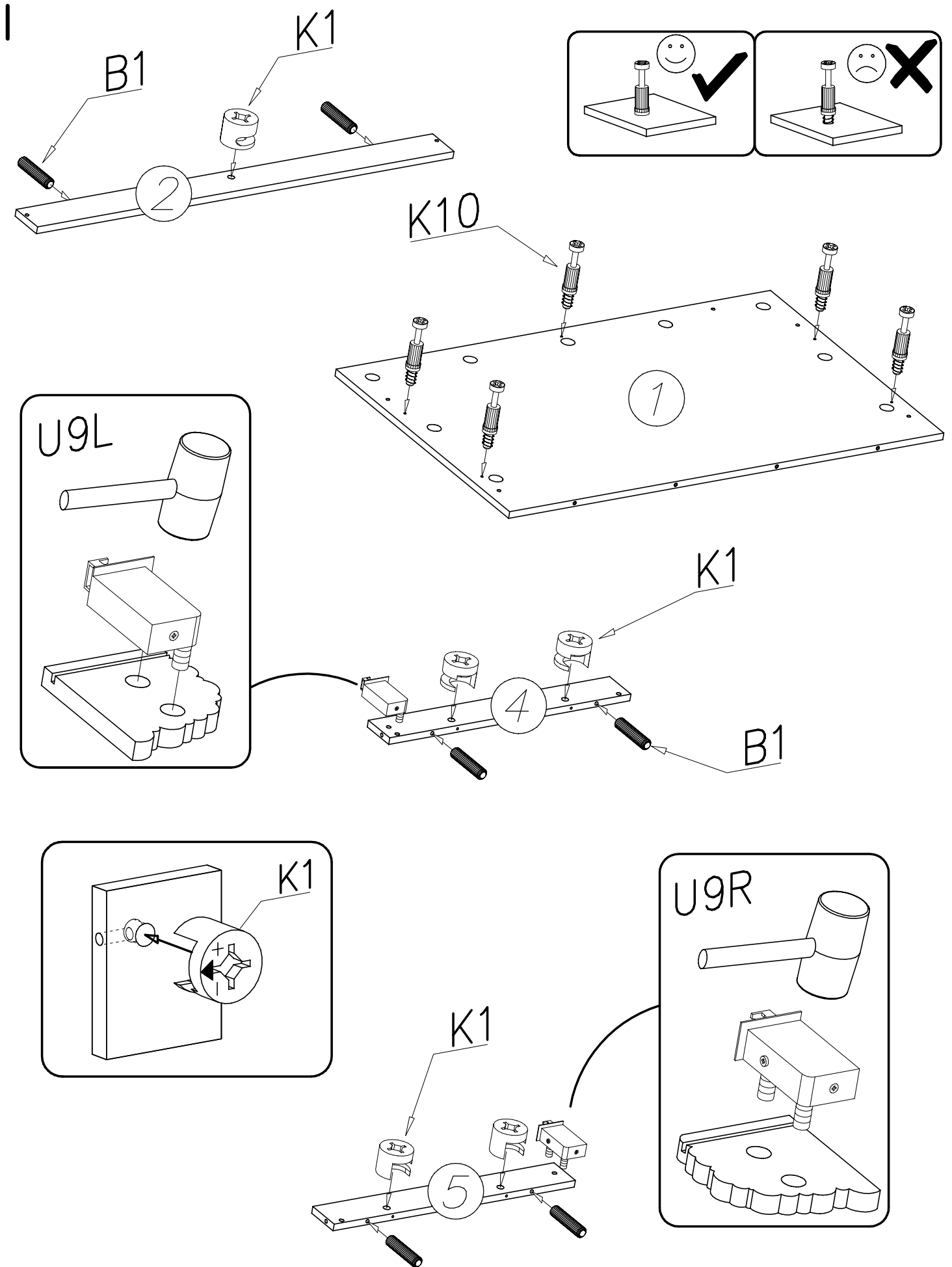
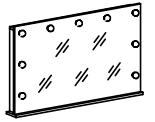
**K10**  x...(5)

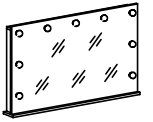
**B1**   $\varnothing 8 \times 35$  x...(6)

**W2**  x...(1)

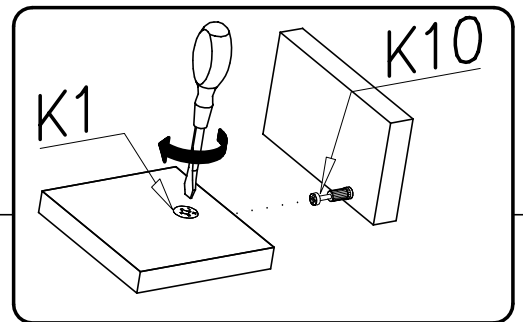
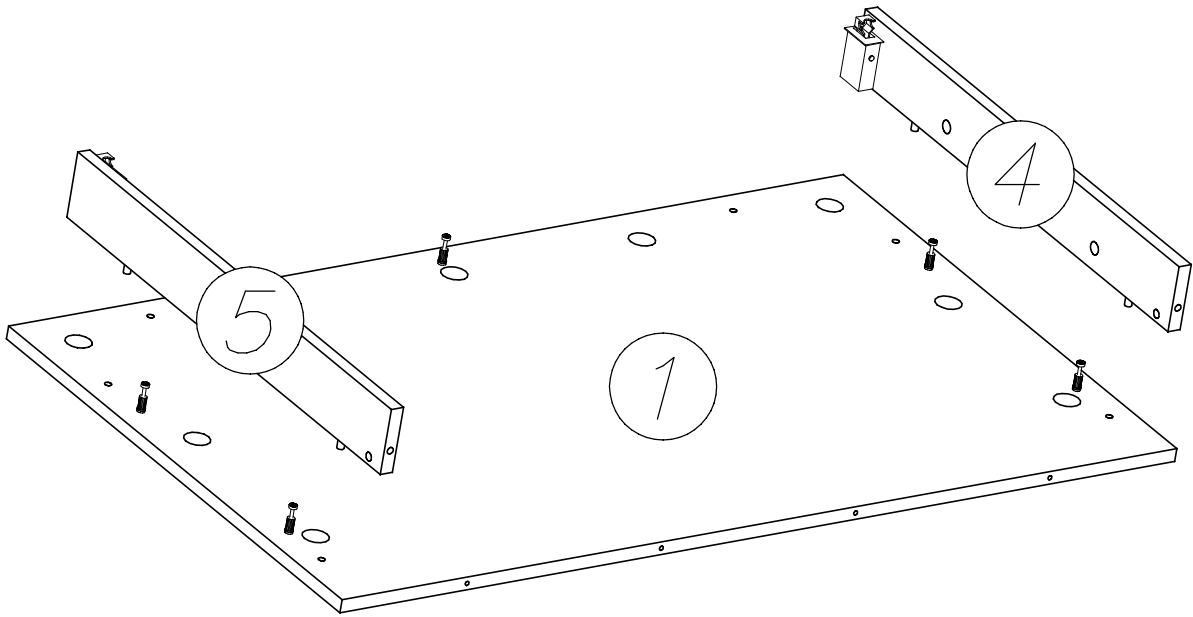
**A1**   $\varnothing 7 \times 50$  x...(8)

**I9**   $\varnothing 12$  x...(8)

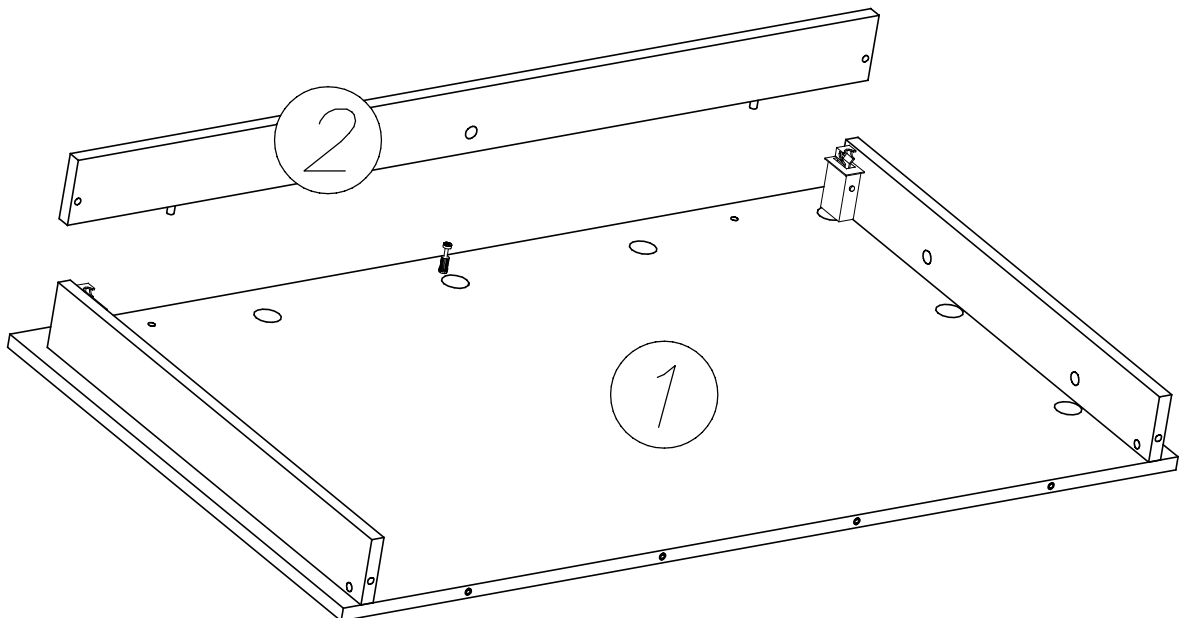


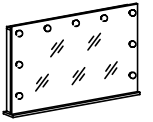


II

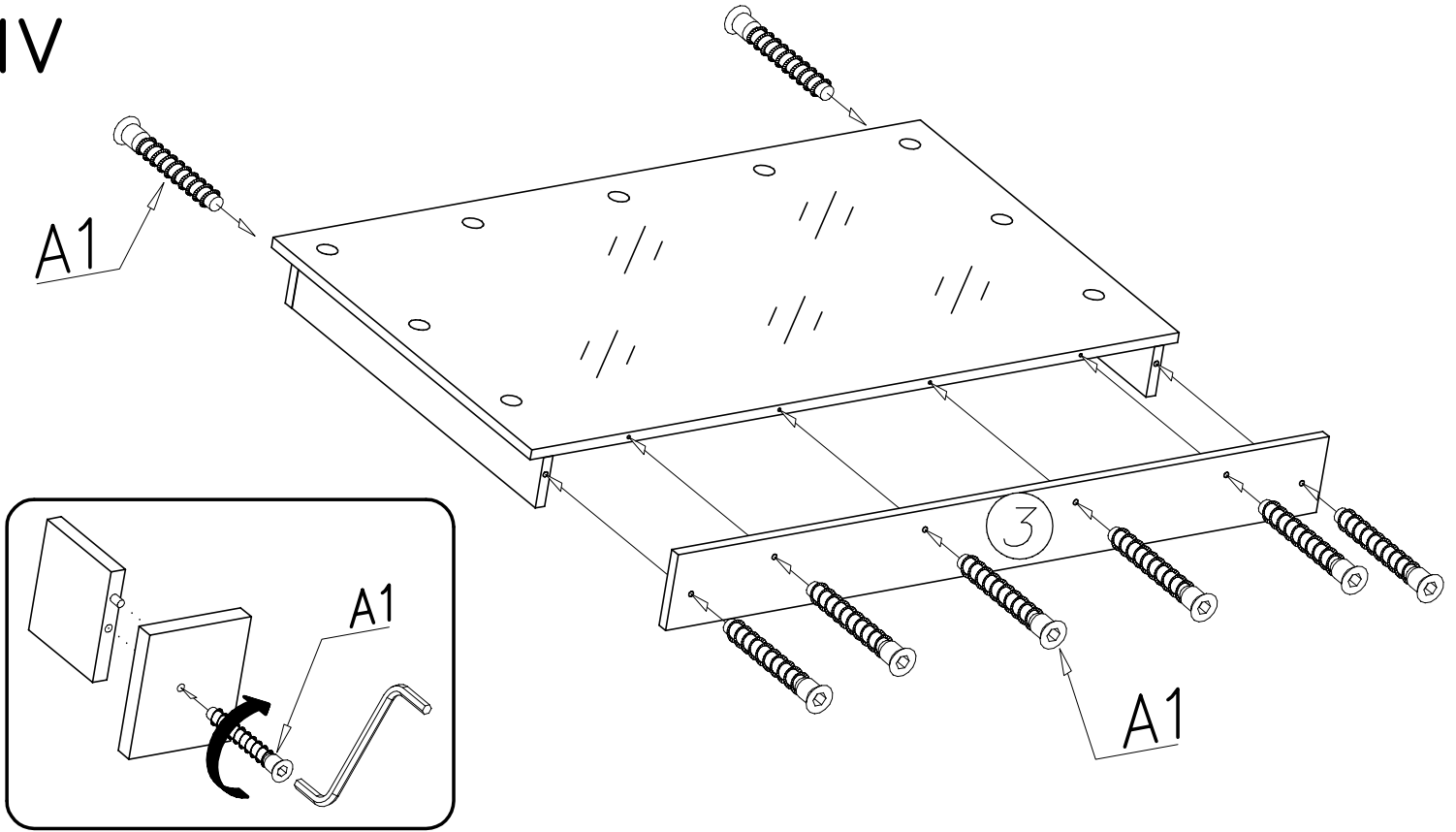


III

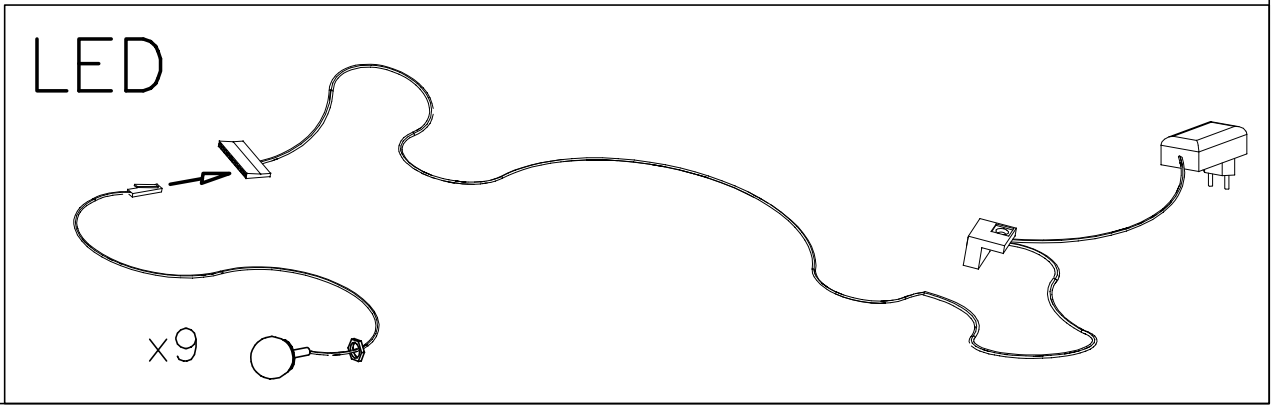
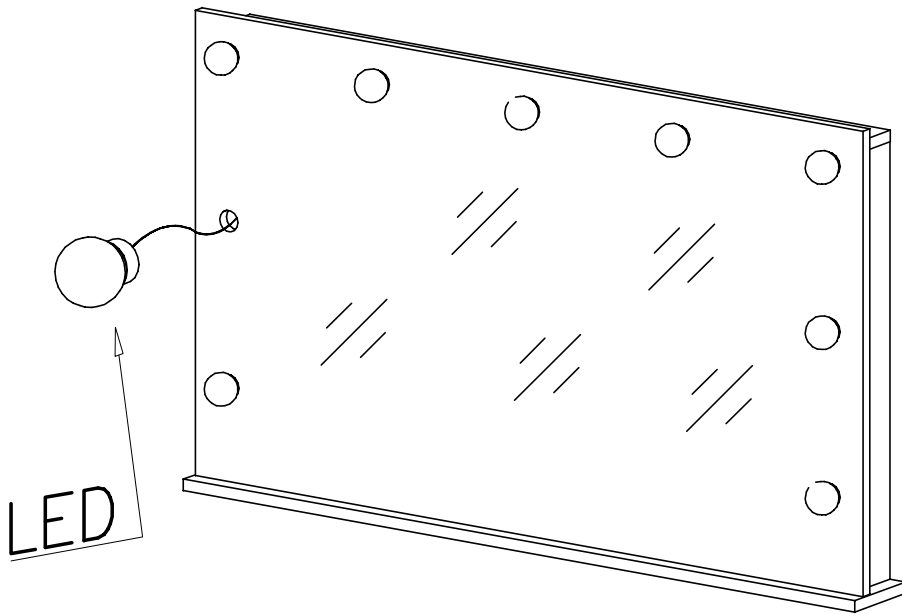


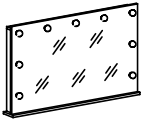


## IV

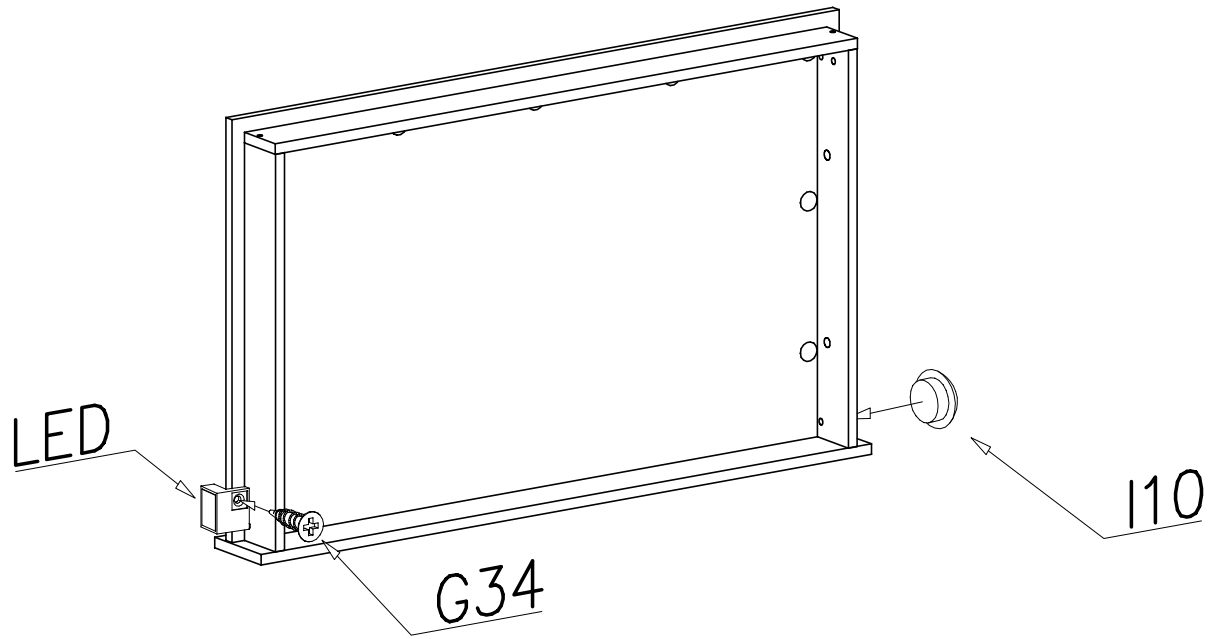


## V



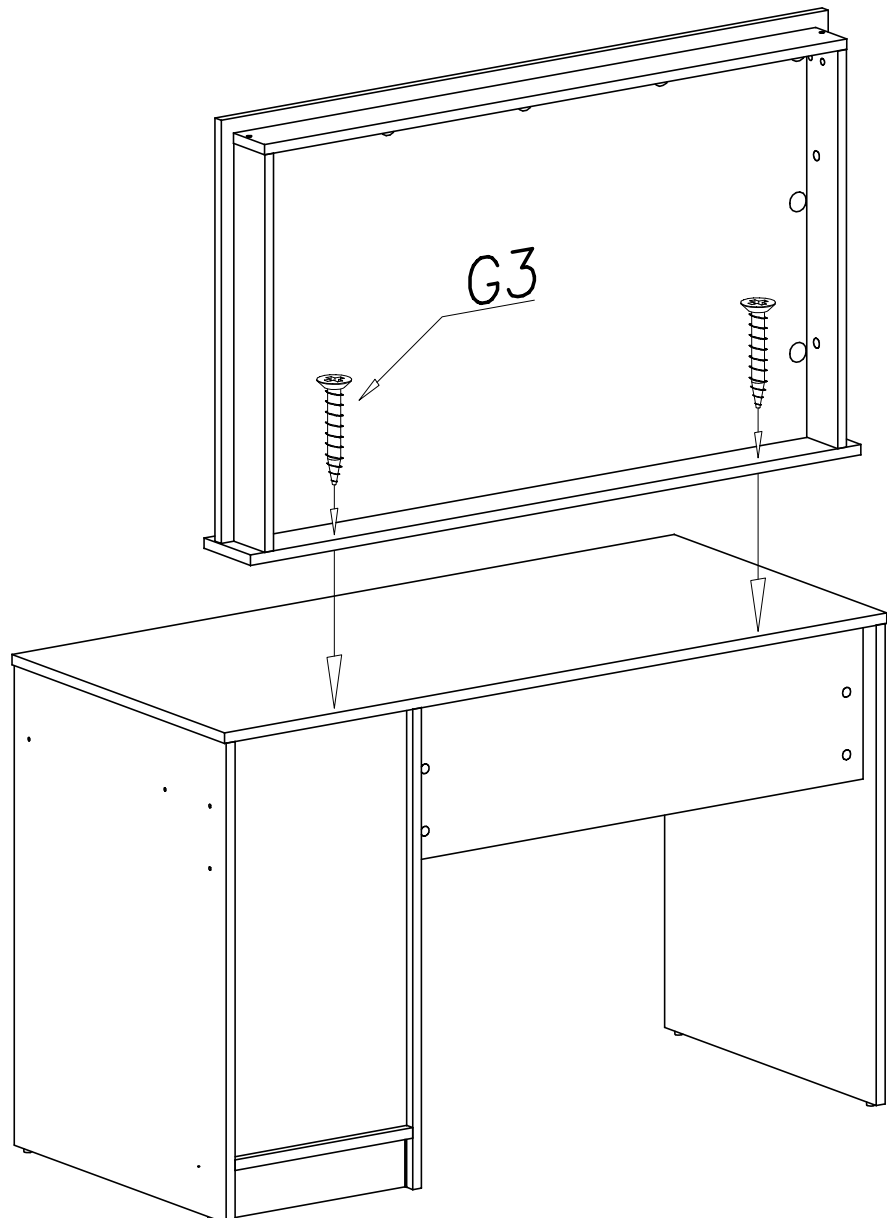
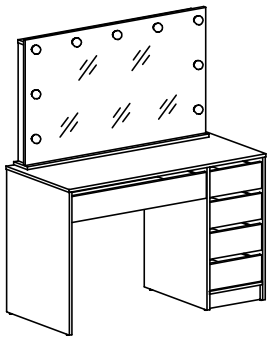


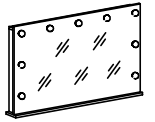
VI



VII

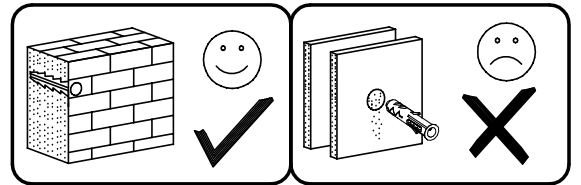
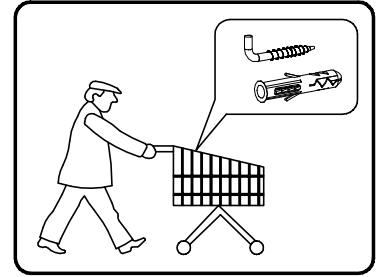
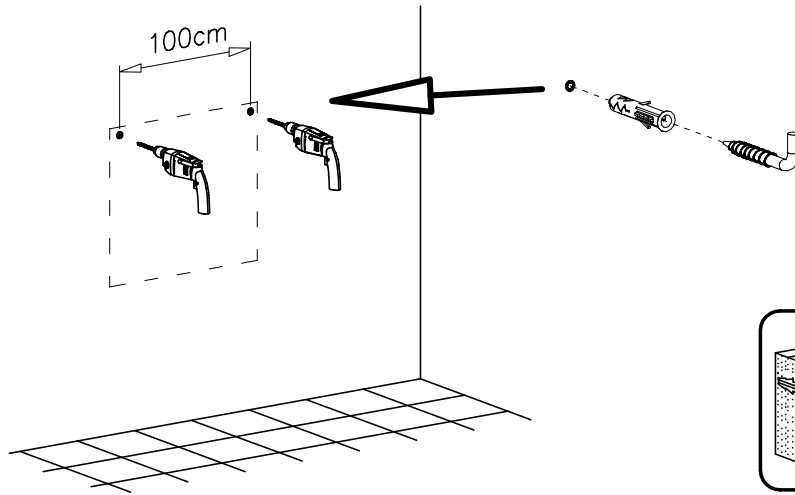
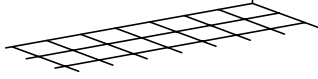
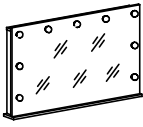
wersja A





## VIII

wersja B



## IX

