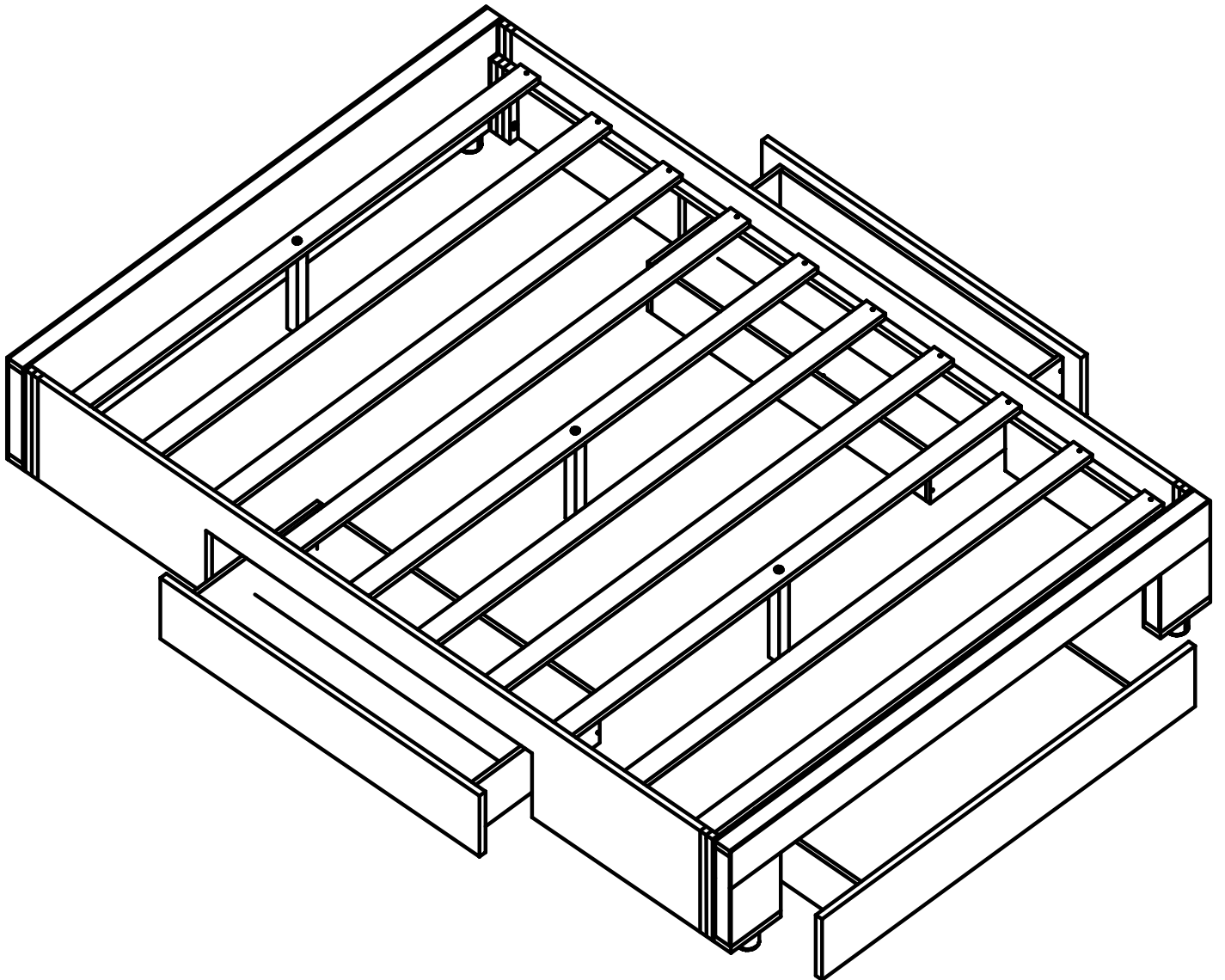
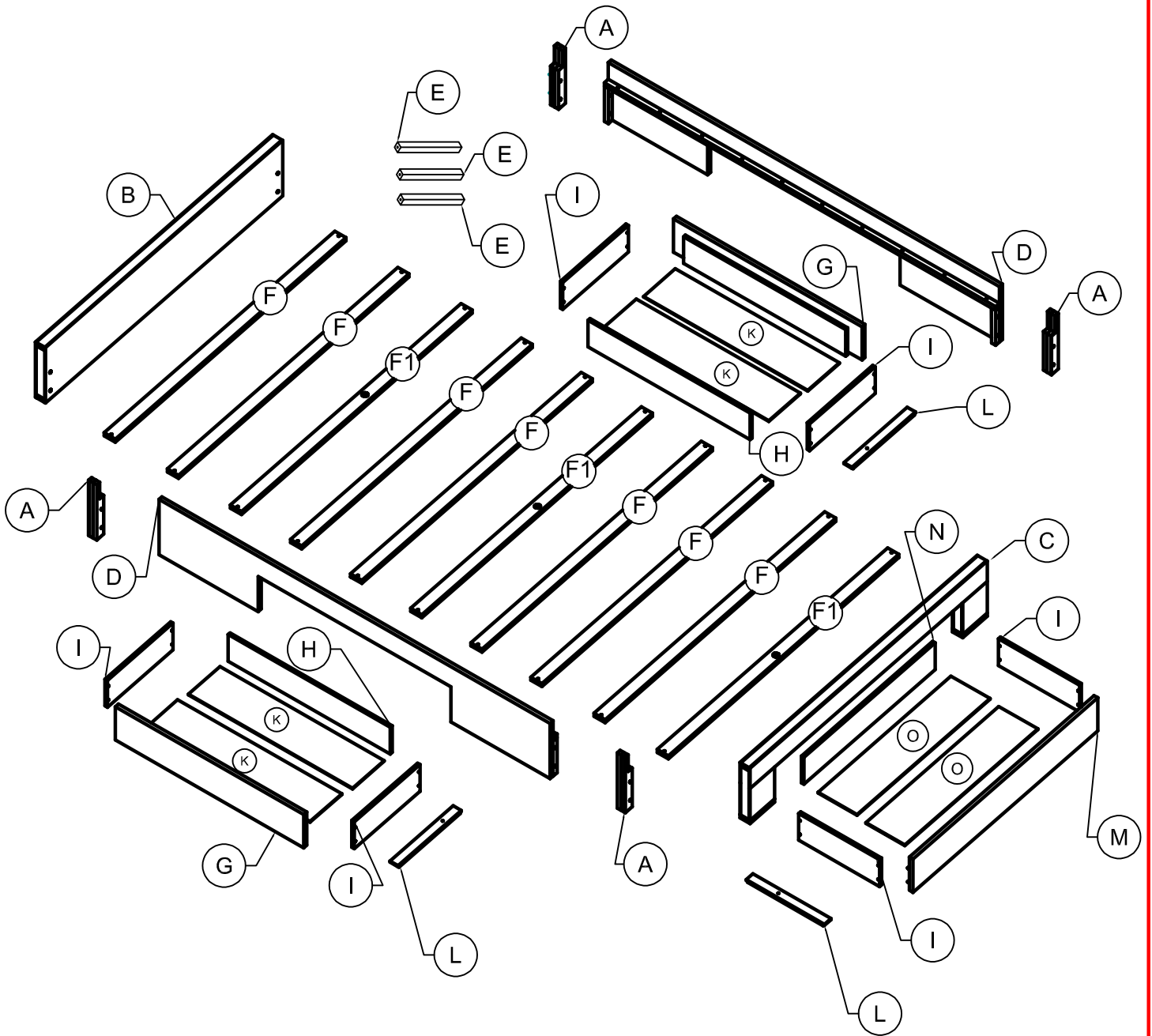


ASSEMBLY INSTRUCTION

SKU CODE: (WF325739/WF325740)

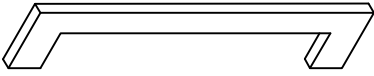


ASSEMBLY INSTRUCTION



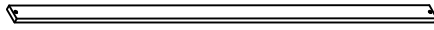
Part List (WF325739)

C



FB Frames - 1pcs

F



Slats - 7pcs

B



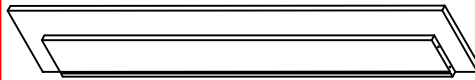
HB Frames - 1pcs

F1



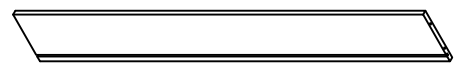
Slats - 3pcs

M



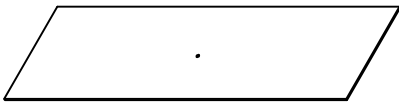
Drawers - Font Panel - 1pcs

N



Drawers - Back Panel - 1pcs

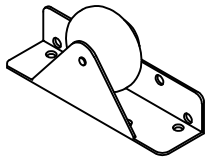
O



Drawers - Bottom Panel - 2pcs

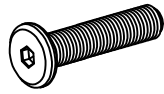
Hardware List (WF325740)

1



Wheels 12pcs

2



1/4" x 90mm
Hex-Head bolts 8pcs

3



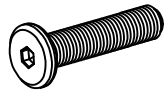
Allen Key 1pcs

4



Plastic Feet(Ø50x40)
4pcs

5



1/4" x 30mm
Hex-Head bolts 3pcs

6



Plastic Drawer Stopper
4 pcs

7

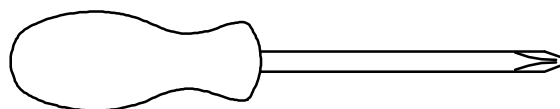


M4 x 15 mm
Wood Screws 34pcs

8



M4 x 30 mm
Wood Screws 44pcs



Assembly Tools Required (Not Included)

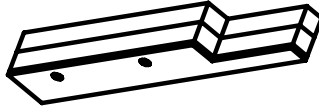
Part List (WF325740)

D



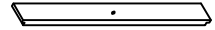
Side Rails - 2pcs

A



support bars - 4pcs

L



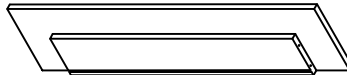
Drawers - Support Bottom - 3pcs

K



Drawers - Bottom Panel - 4pcs

G



Drawers - Font Panel - 2pcs

H



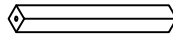
Drawers - Back Panel - 2pcs

I



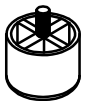
Drawers - Side Panel - 6pcs

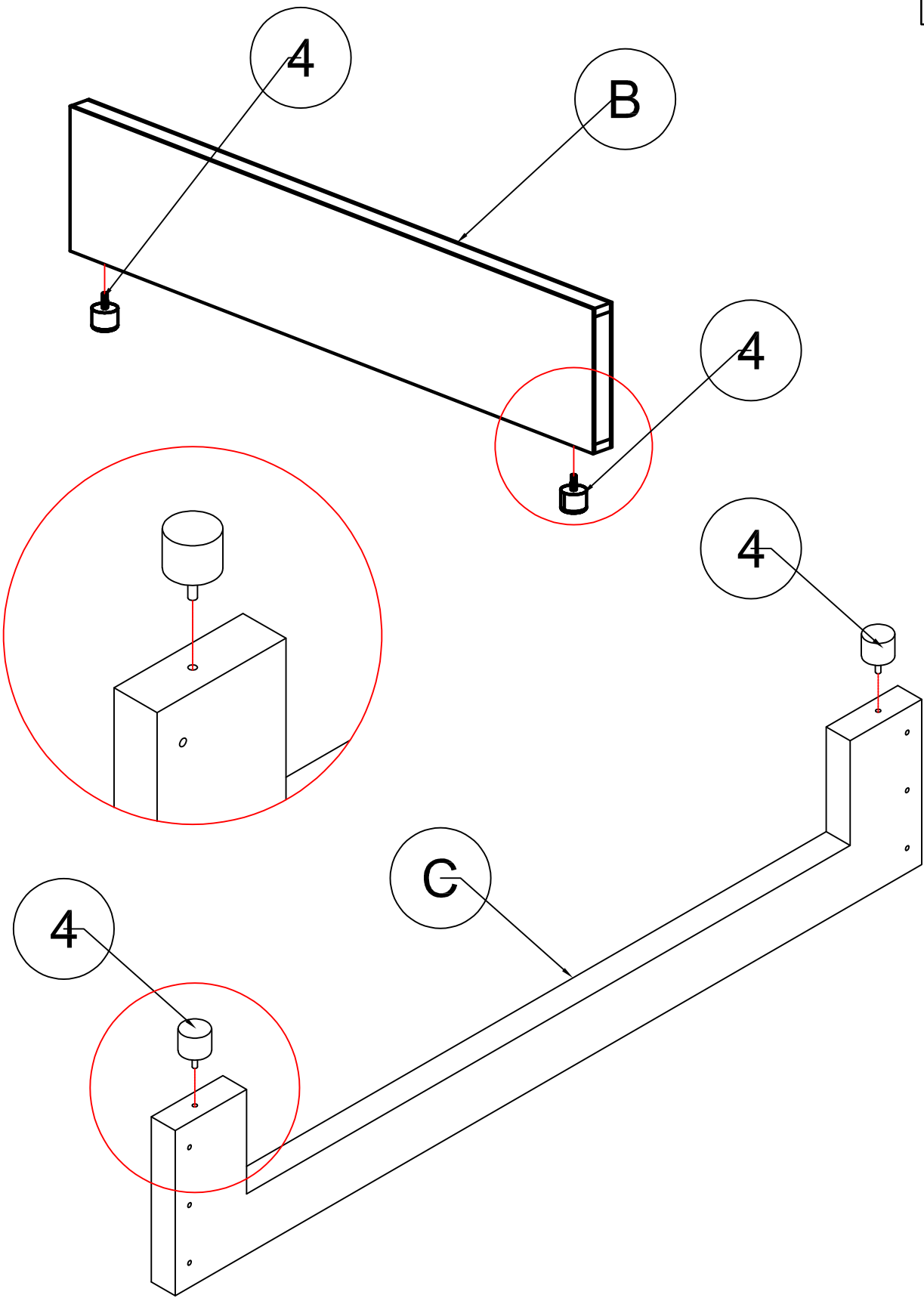
E



Support Leg - 3pcs

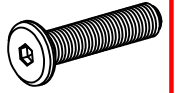
STEP 1: Following below illustration:

4	
4pcs	

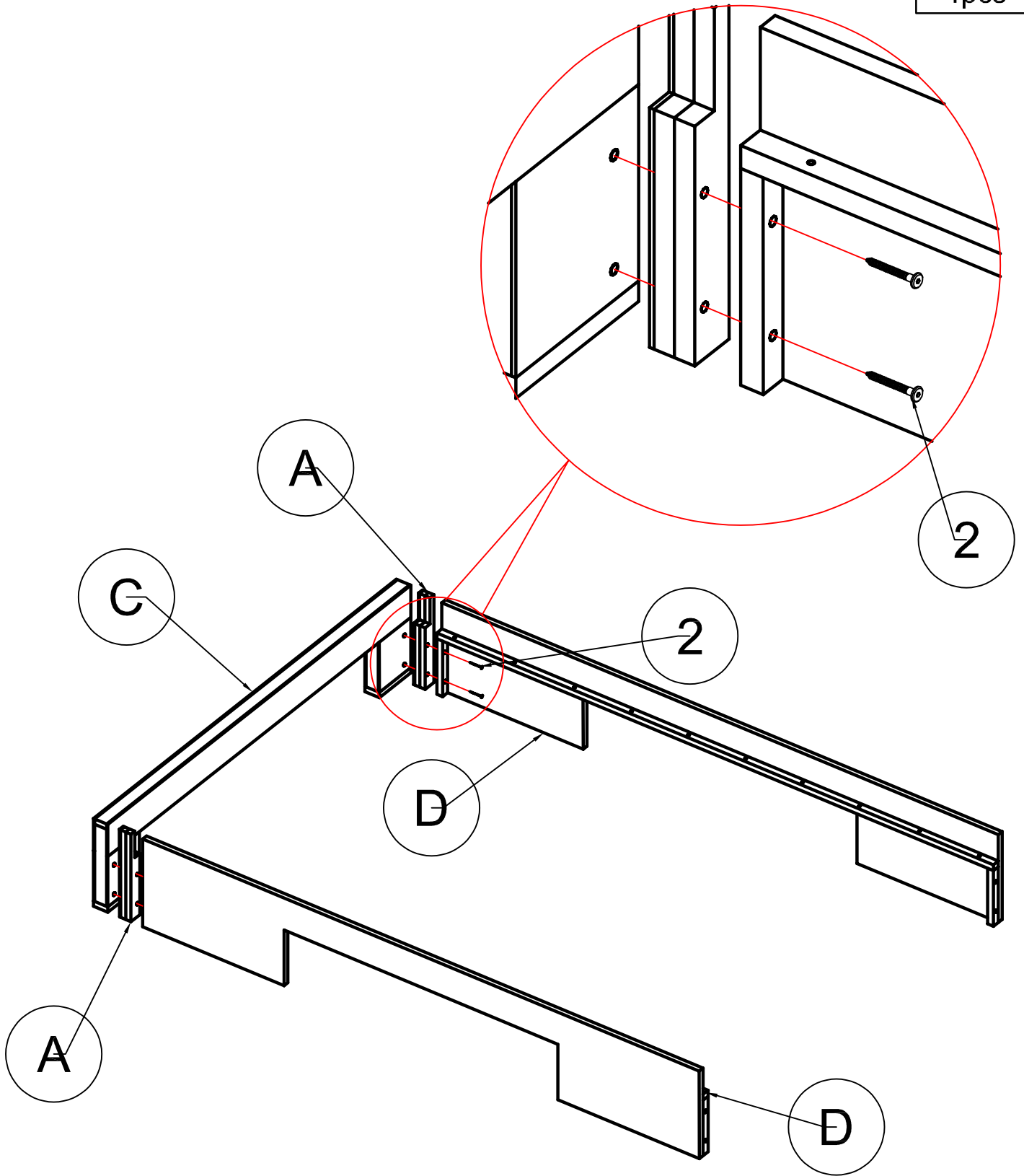


STEP 2: Following below illustration:

2

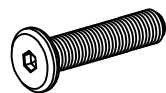


4pcs

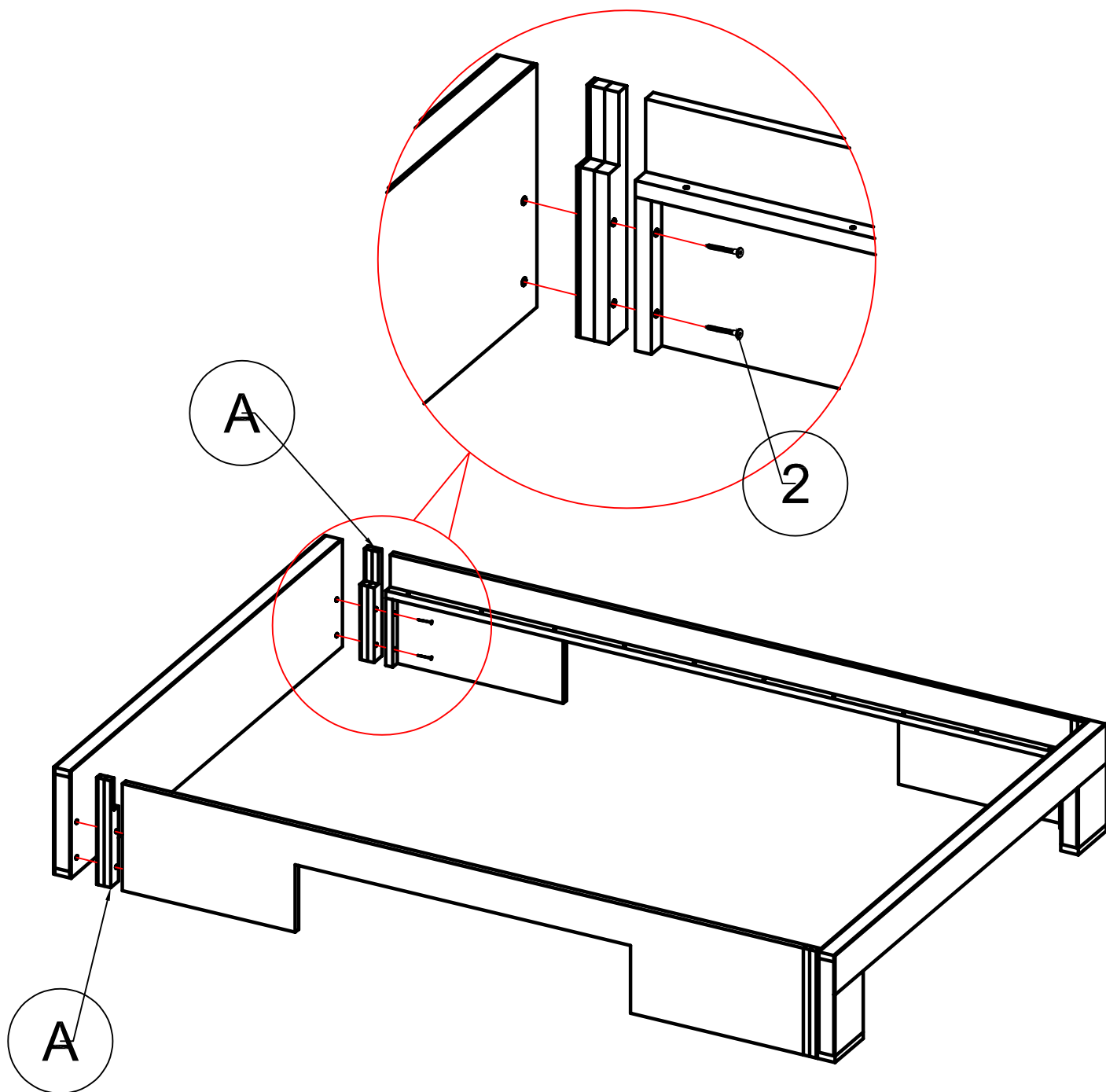


STEP 3: Following below illustration:



2

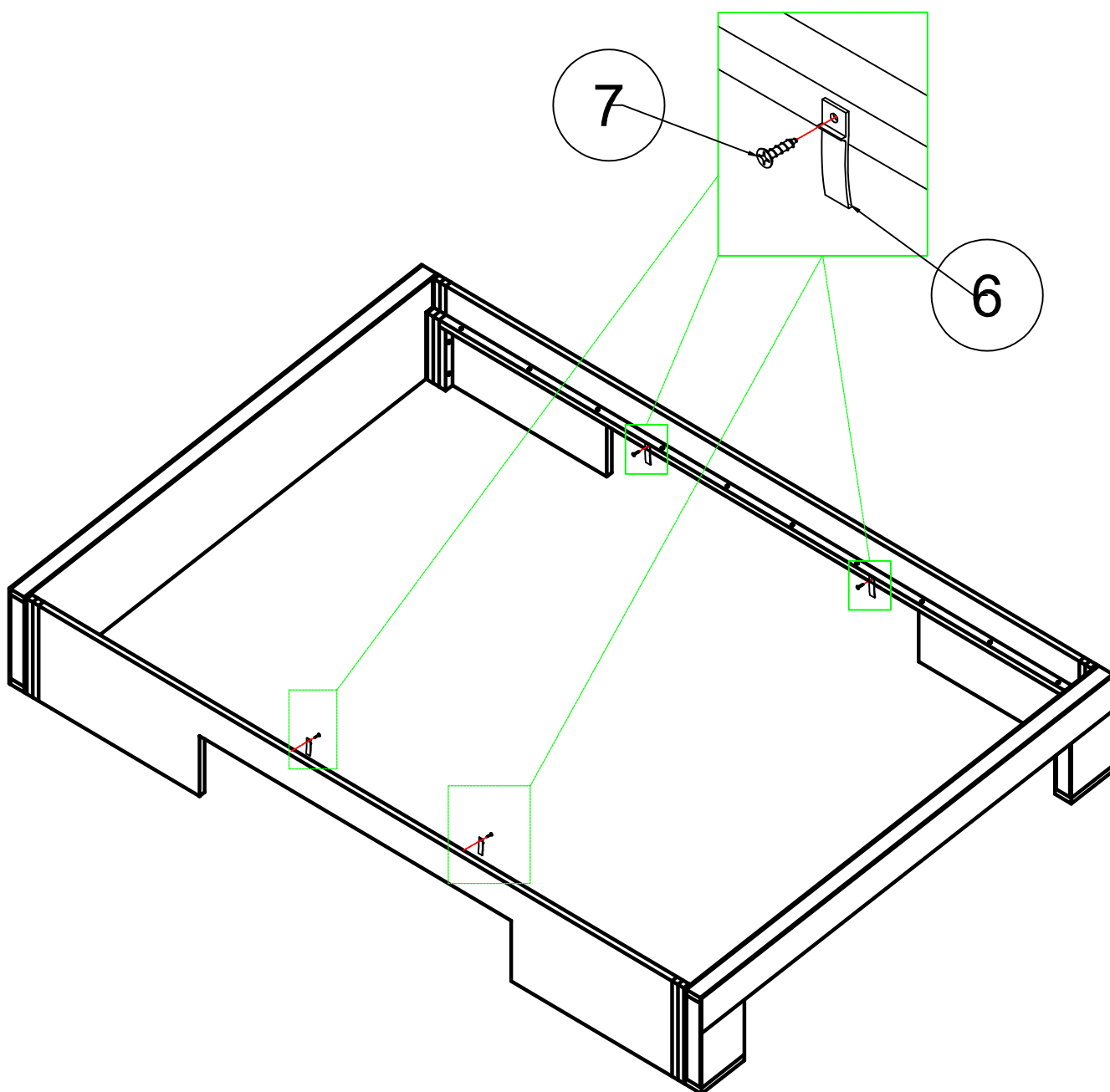


4pcs

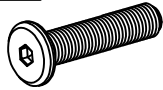



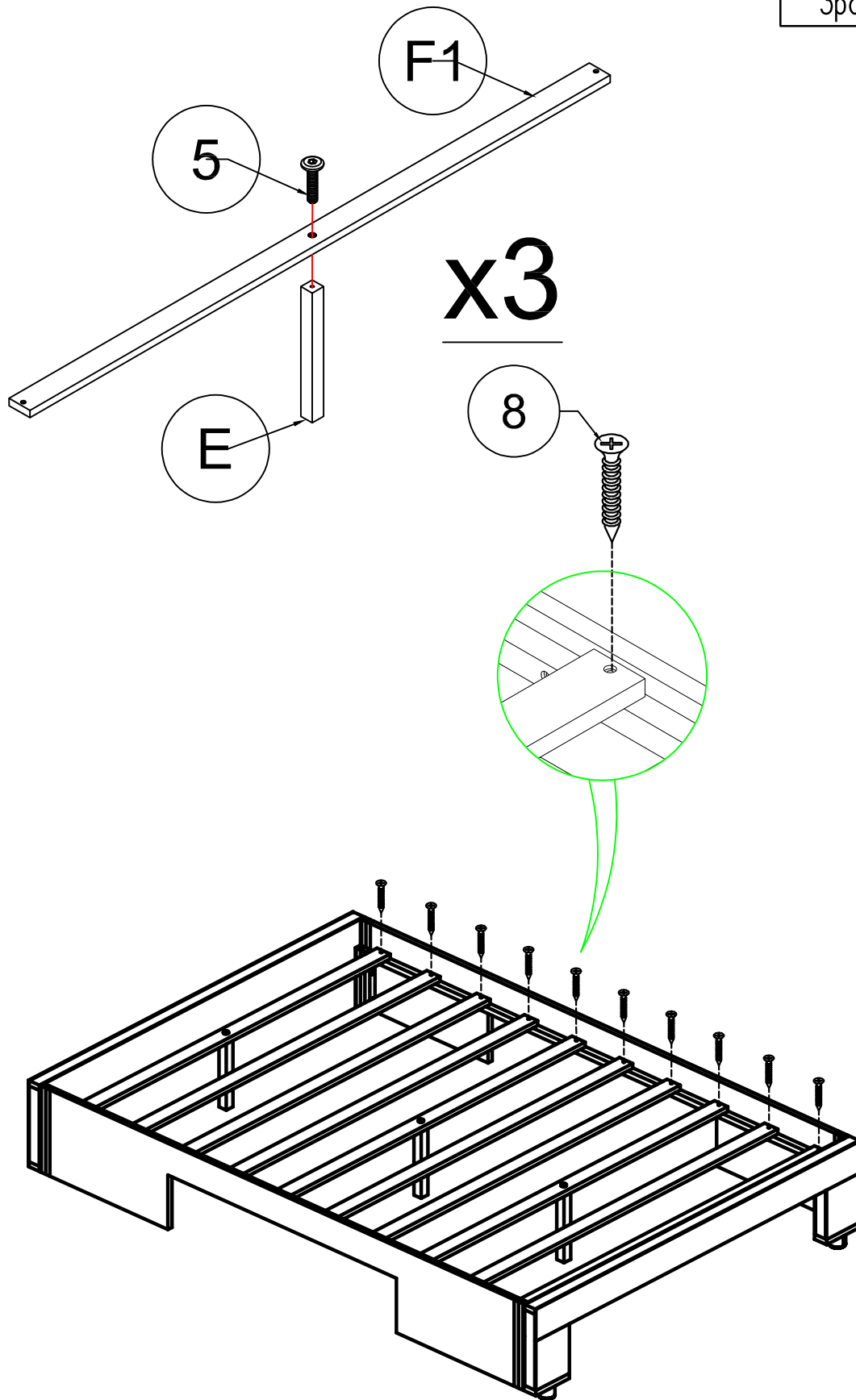
STEP 4: Following below illustration:

6		7	
4pcs		4pcs	



STEP 5: Following below illustration:

5	8
	
3pcs	20pcs

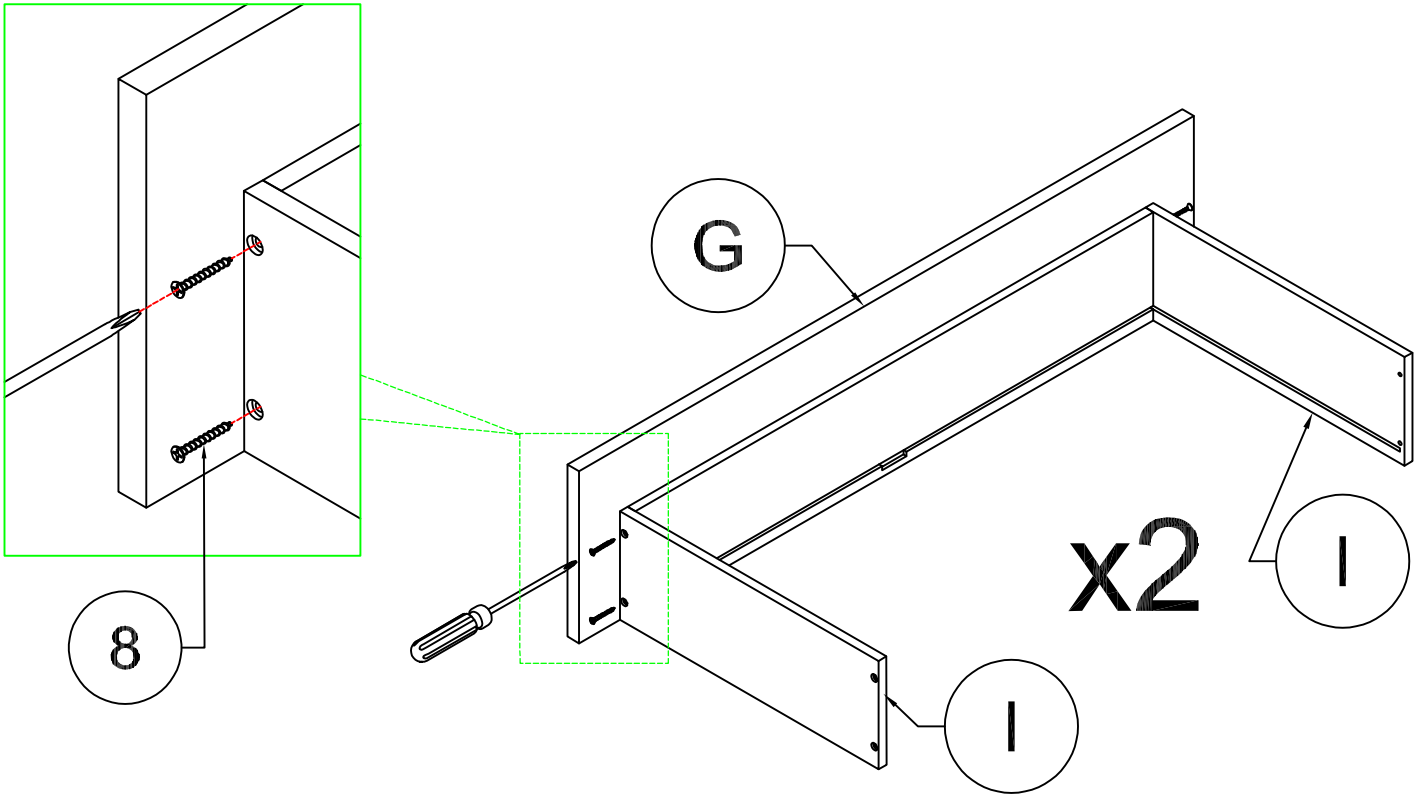


STEP 6: Following below illustration:

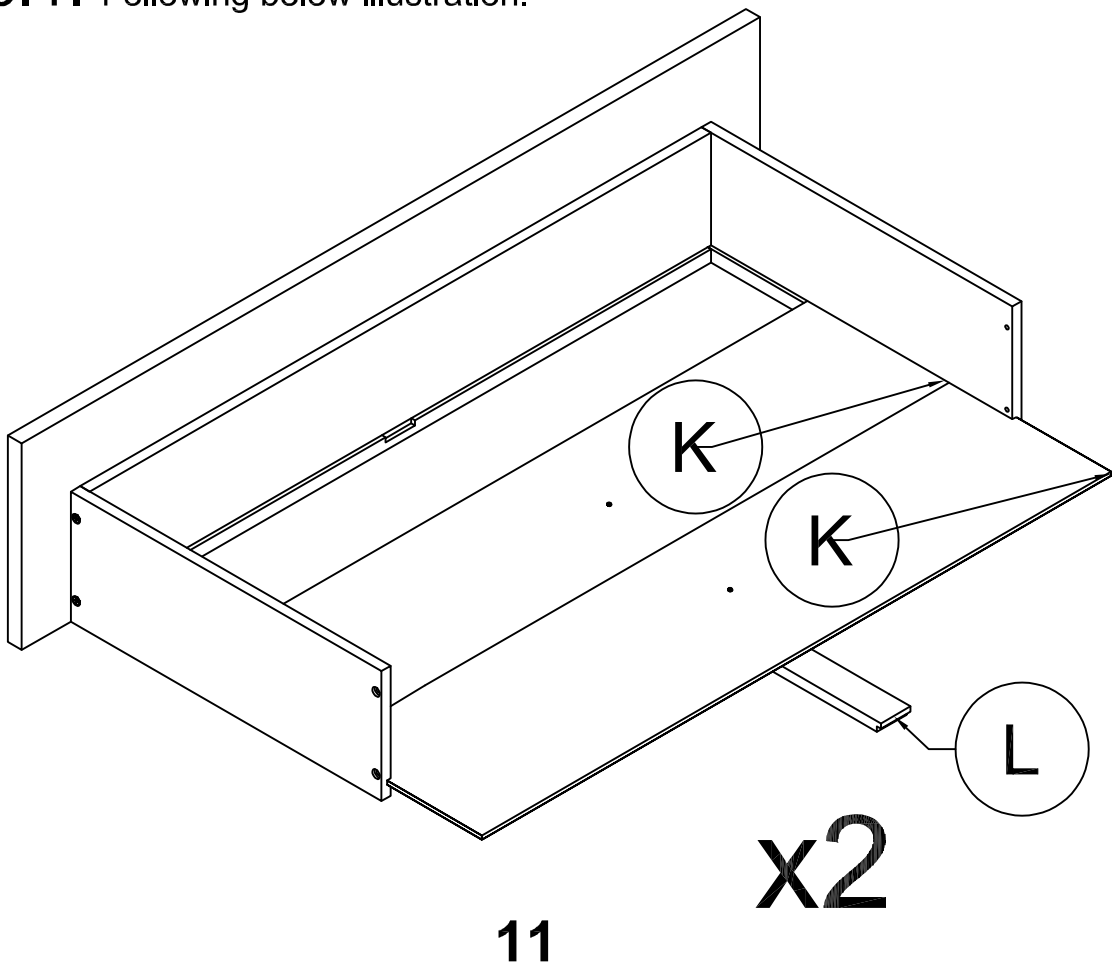
8




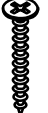
8pcs



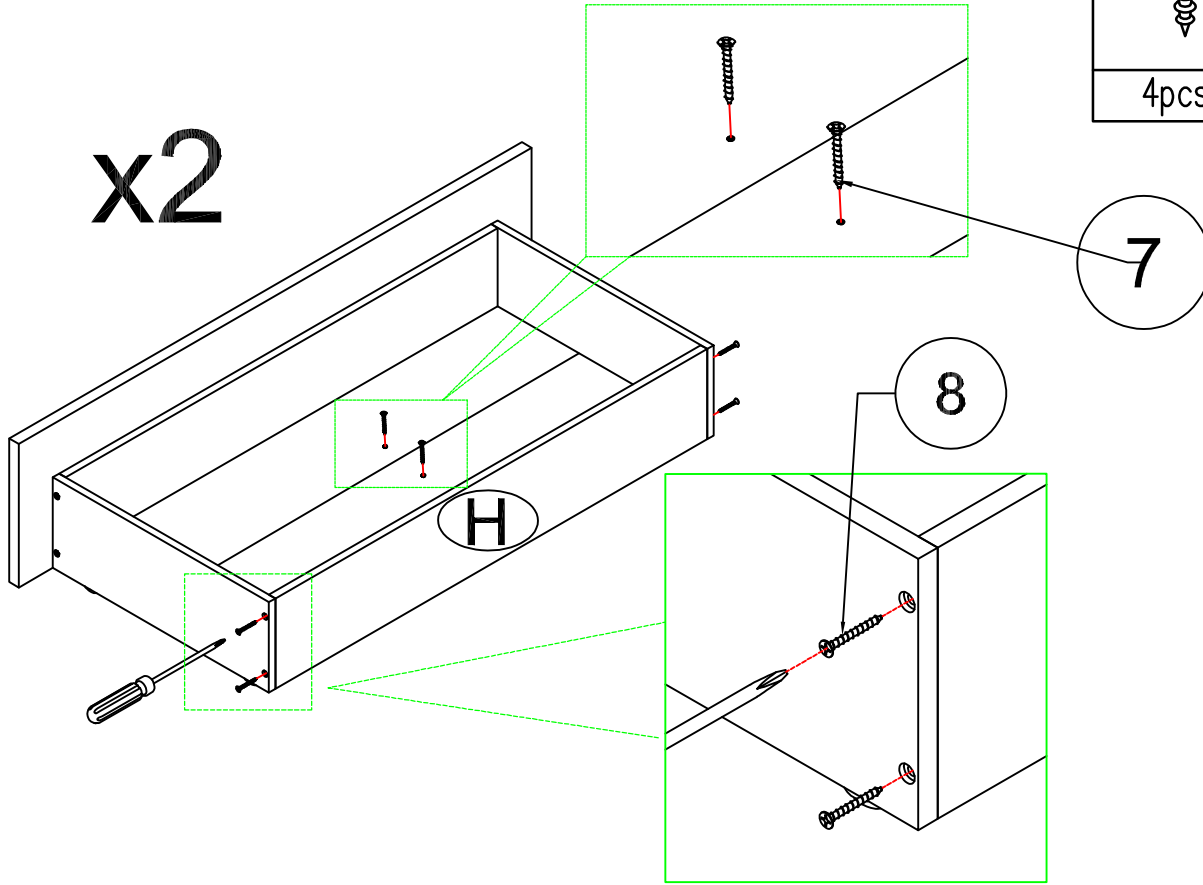
STEP 6.1: Following below illustration:





STEP 7: Following below illustration:

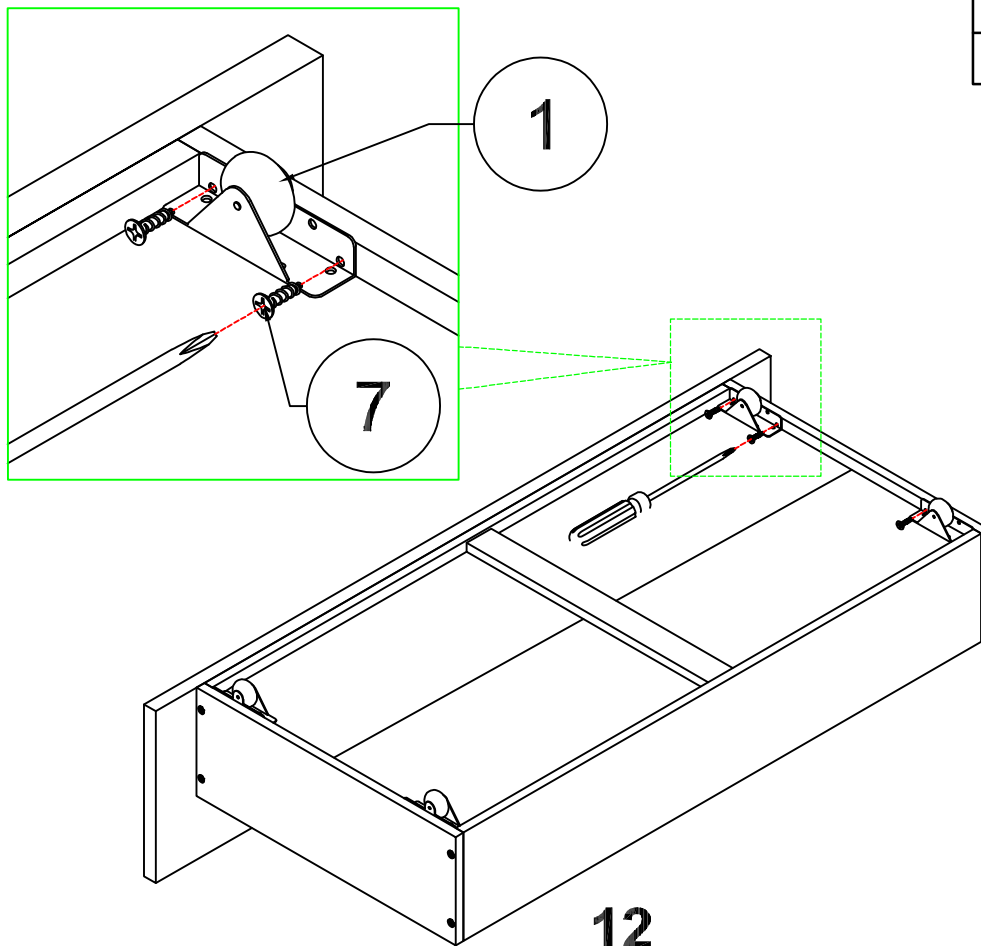
7		8	
4pcs		8pcs	

x2



STEP 7.1: Following below illustration:

1		7	
8pcs		16pcs	



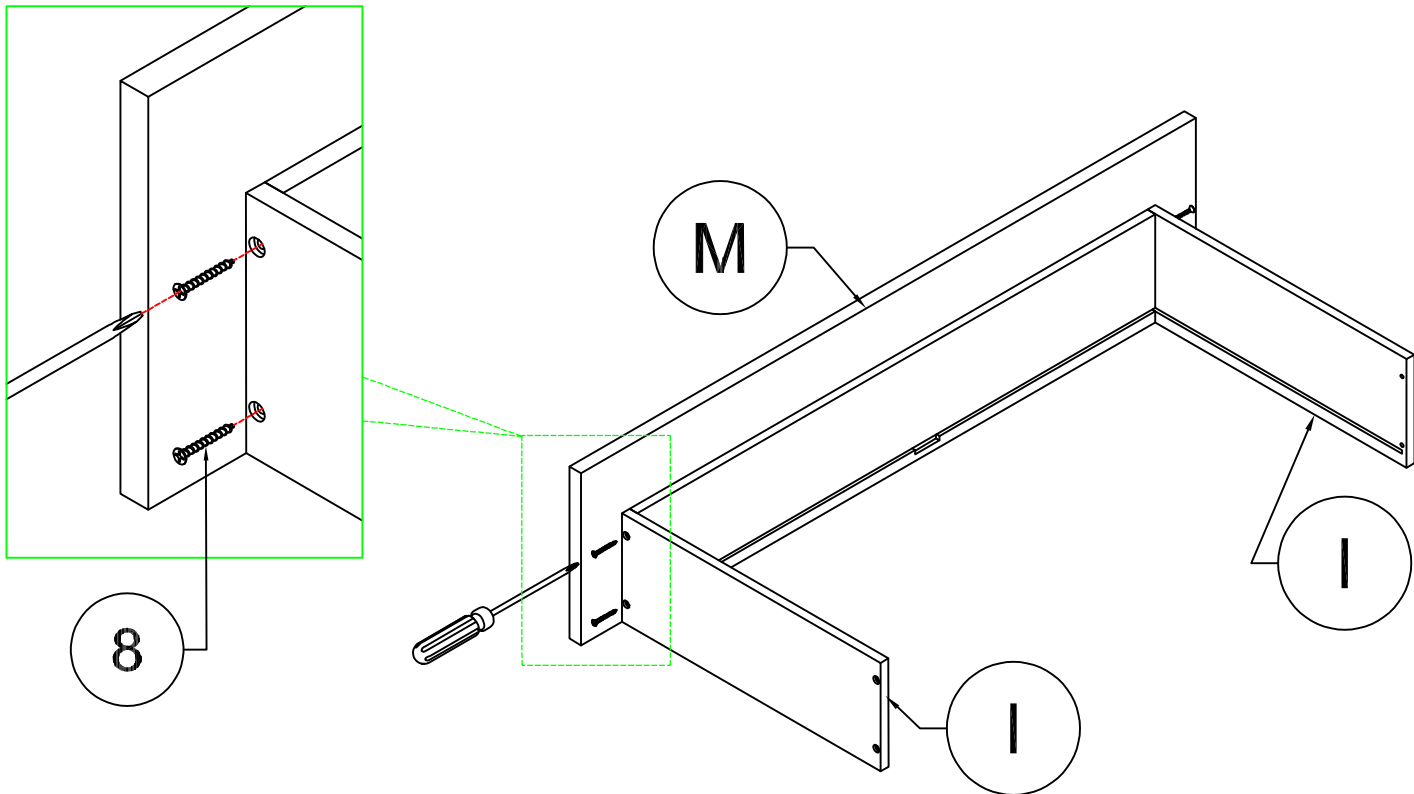
x2

STEP 8: Following below illustration:

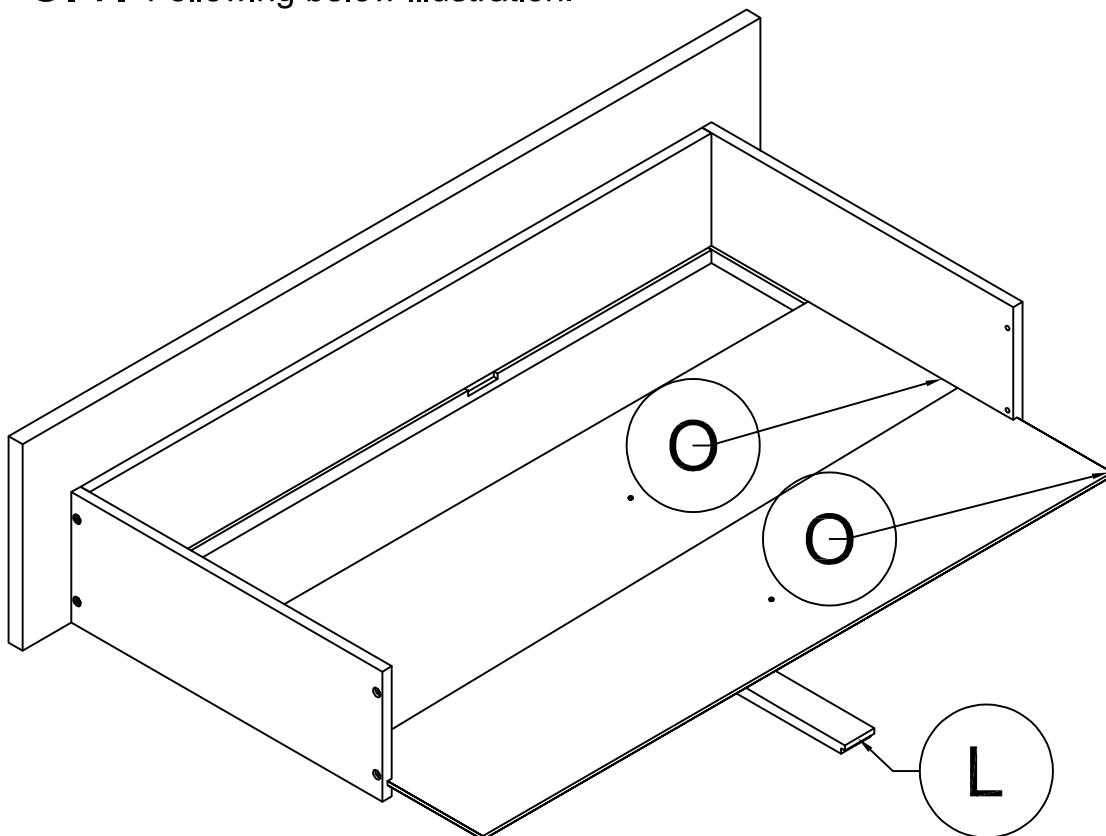
8




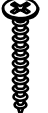
4pcs

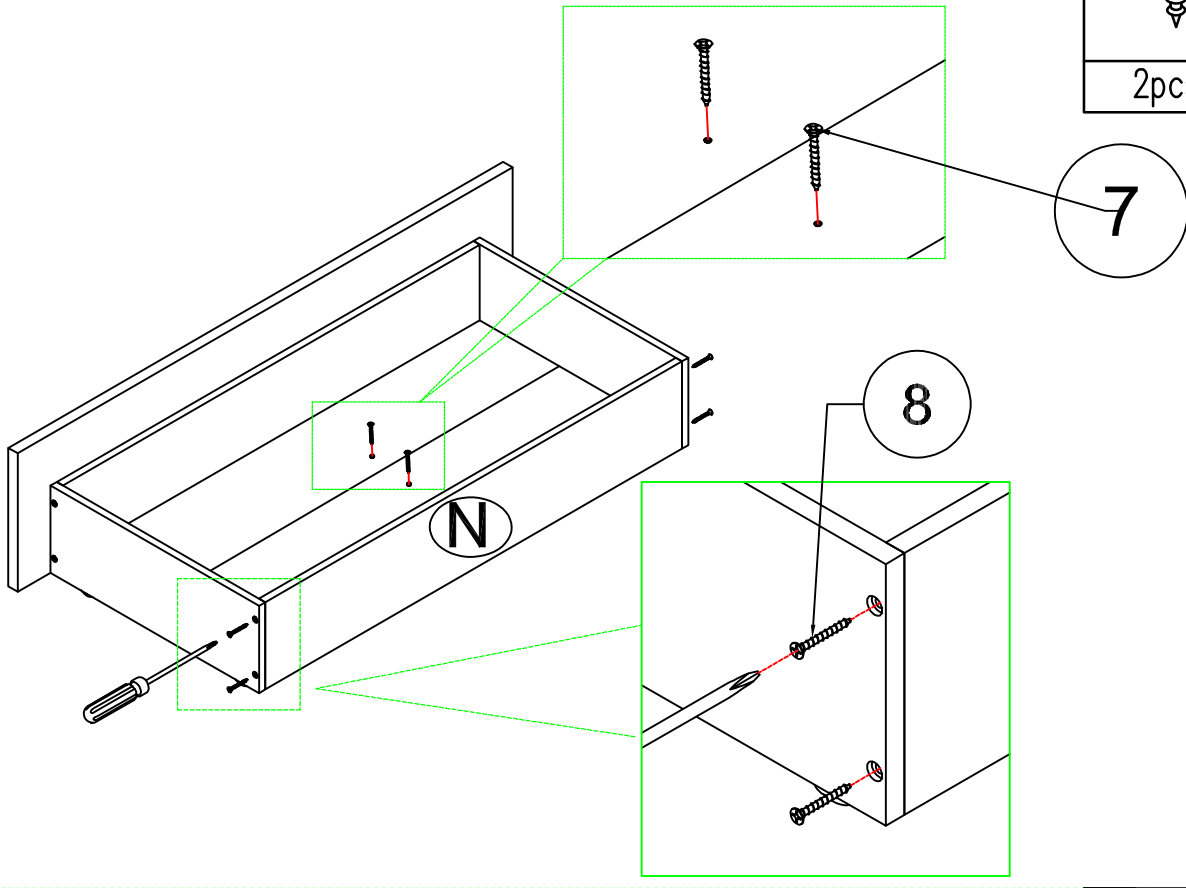


STEP 8.1: Following below illustration:





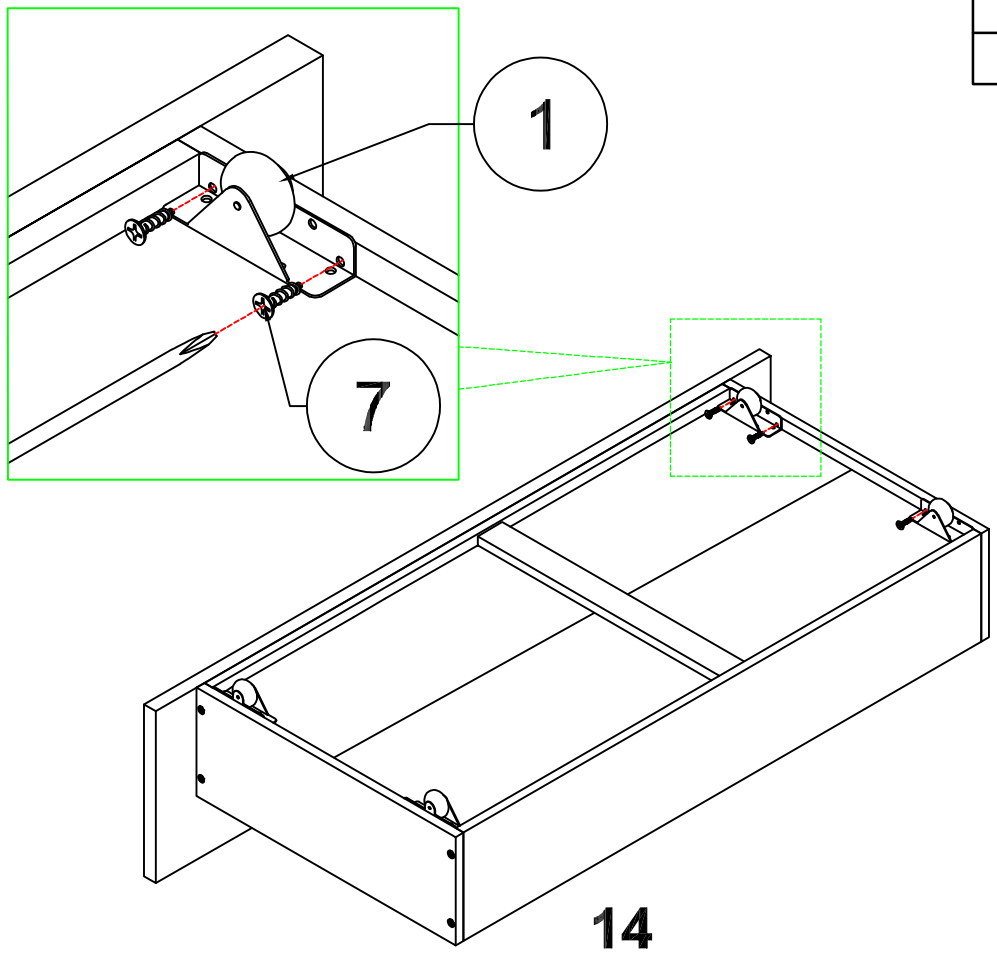
STEP 9: Following below illustration:

7		8	
2pcs		4pcs	



STEP 9.1: Following below illustration:

1		7	
4pcs		8pcs	



FINISH

