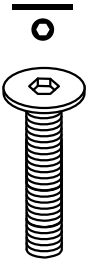
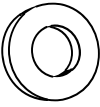
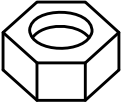
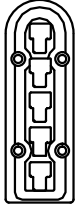

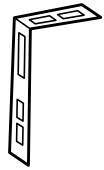


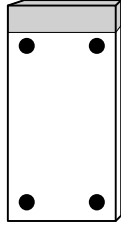
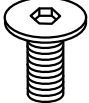
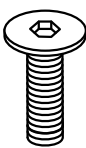
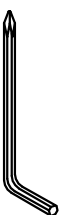


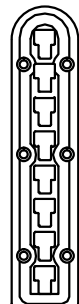
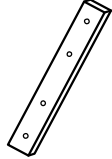
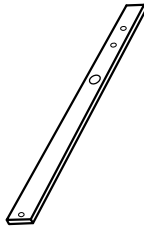
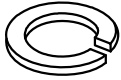
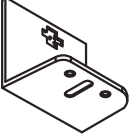
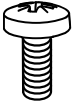
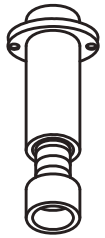
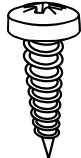


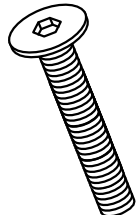
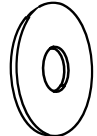


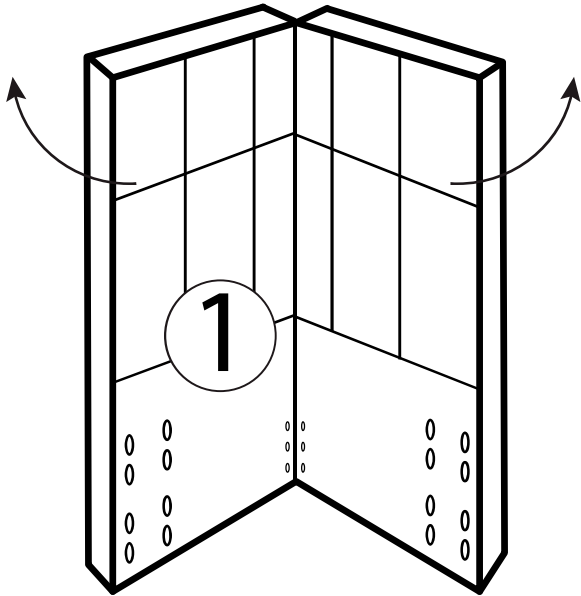
A-111	B-111	C-111	D-111	E-111	F-111	G-111	H-111	I-111
6	10	6	1	10	4	2L / 2R	2	48
						 		
M8*55	M8*19	M8		M4*20			140: 250* 60 180: 250*110	M8*20
J-111	K-111	L-111	M-111	N-111	O-111	P-111	Q-111	R-111
4	1	4	2	1	1	2	16	2
								
M8*40	5	H 200	1540*35*35		500*70*20	990*70*20	M8	
S-111	T-111	U-111	V-111	W-111	X-111	Y-111	Z-111	AA-111
2	2	4	2	1	2	8	-	-
							-	-
M6*15	ca.200-320	4*16	4*20	SET	M8*65	M8*30		



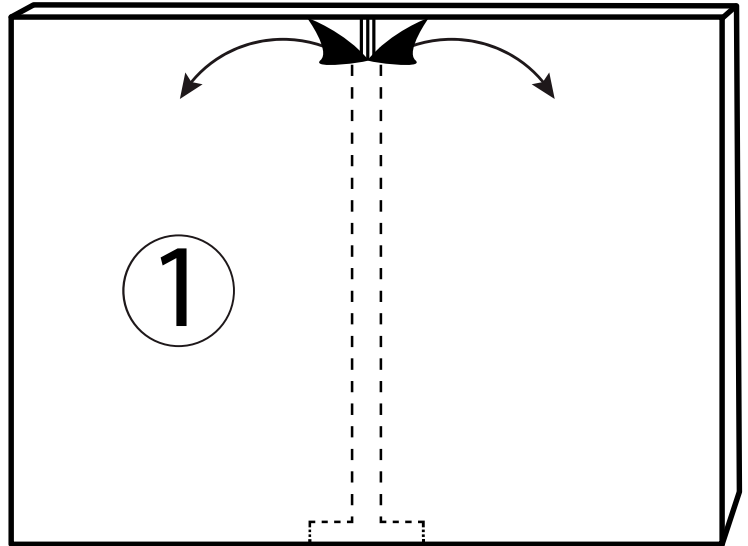
		 60 min		 < 120 KG < 120 KG				
-------------------------------------------------------------------------------------	-------------------------------------------------------------------------------------	-----------------------------------------------------------------------------------------------	-------------------------------------------------------------------------------------	----------------------------------------------------------------------------------------------------------	--	--	--	--

1

1.

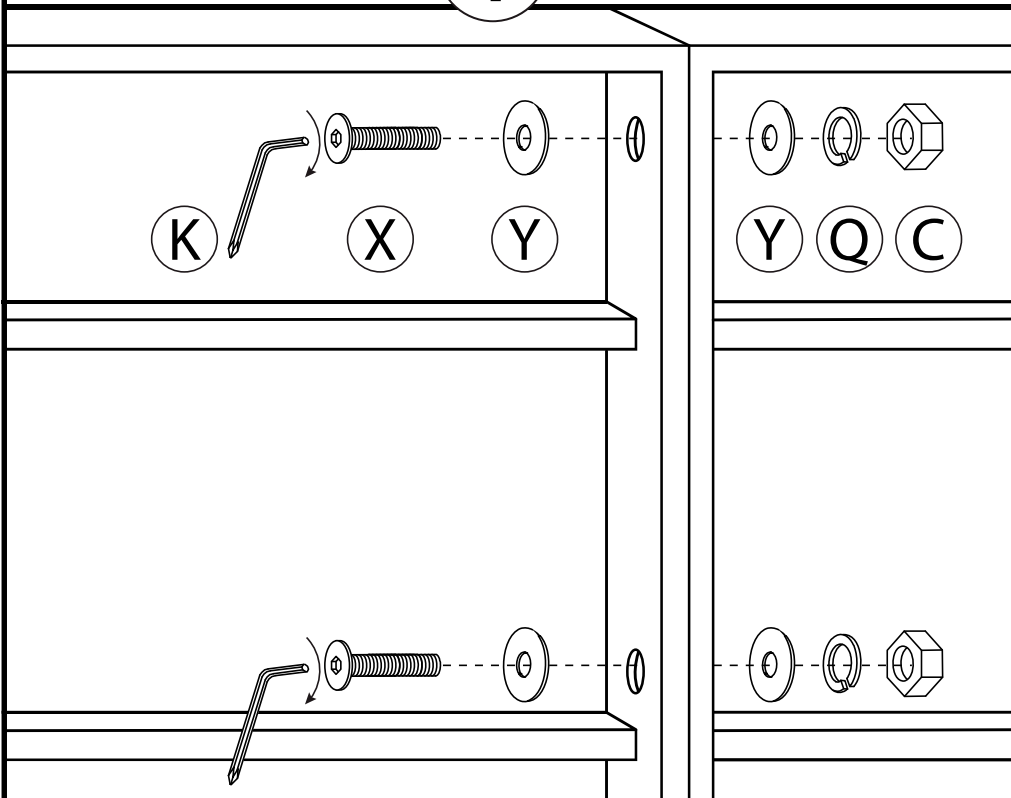


2.

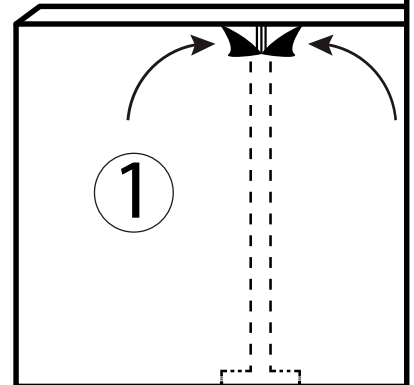


3.

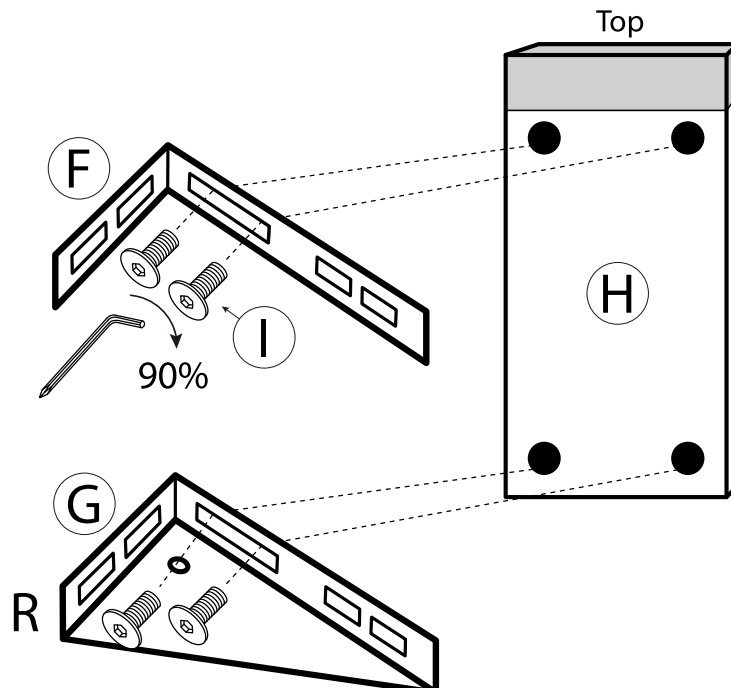
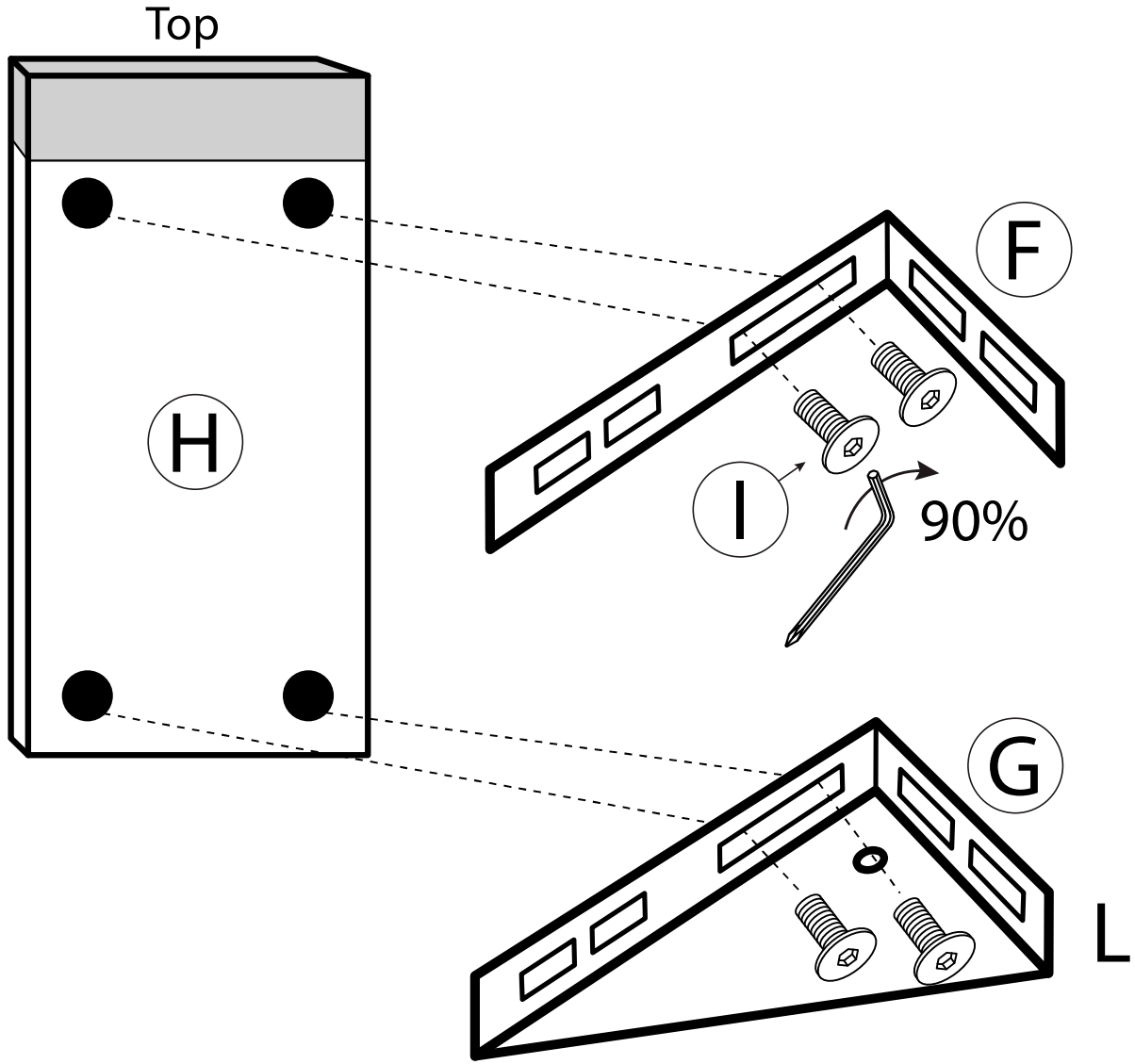
1



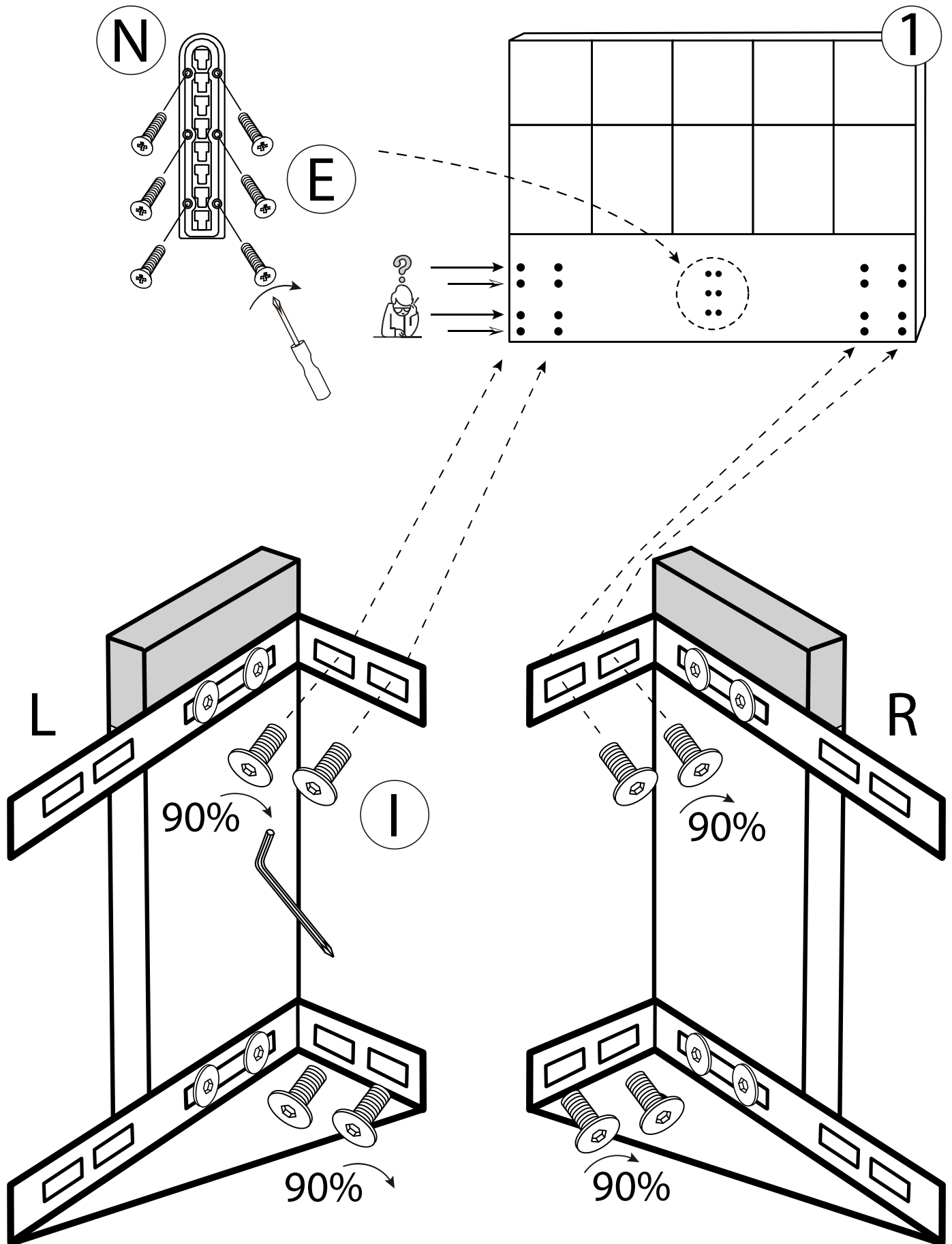
4.



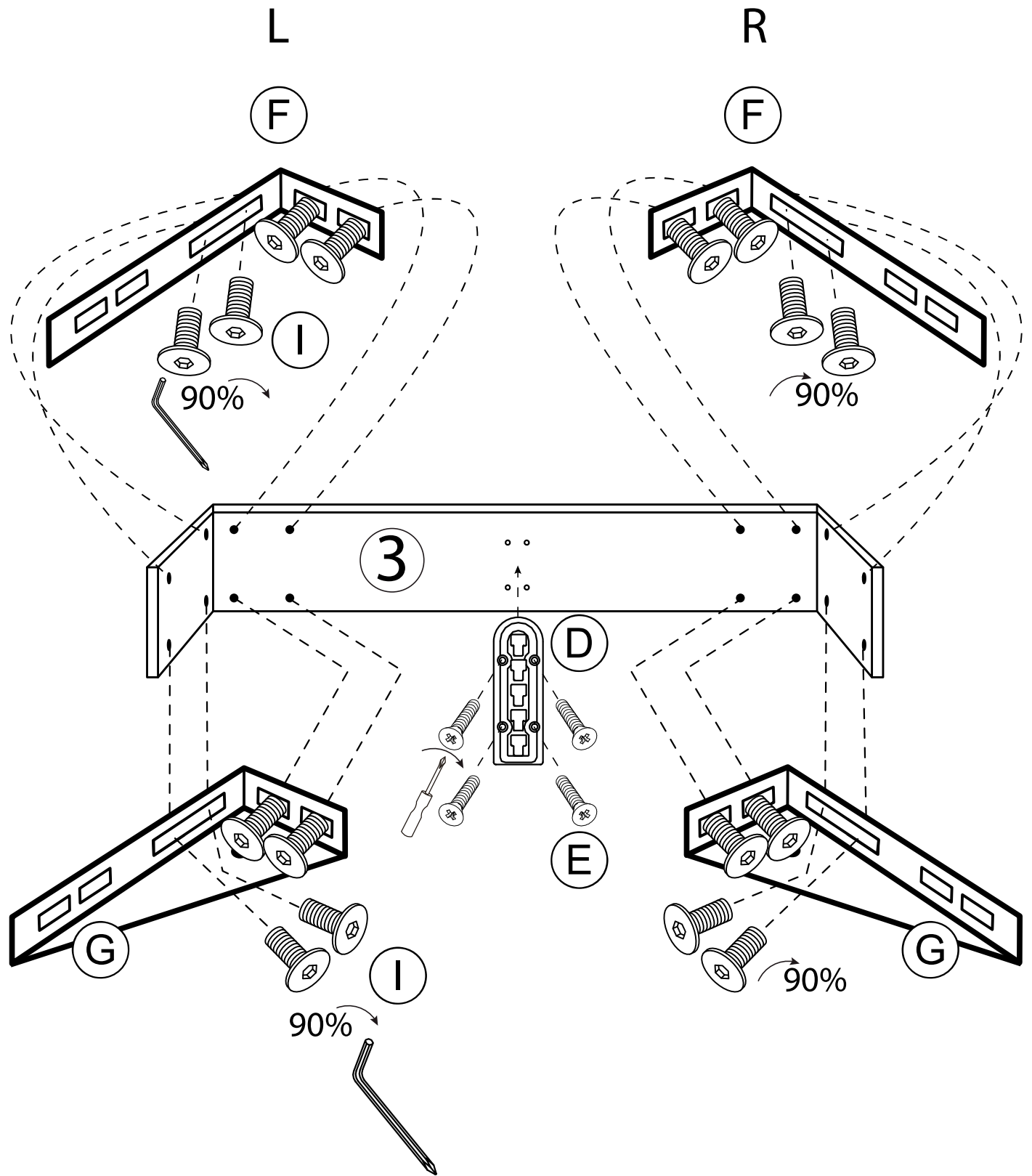
2

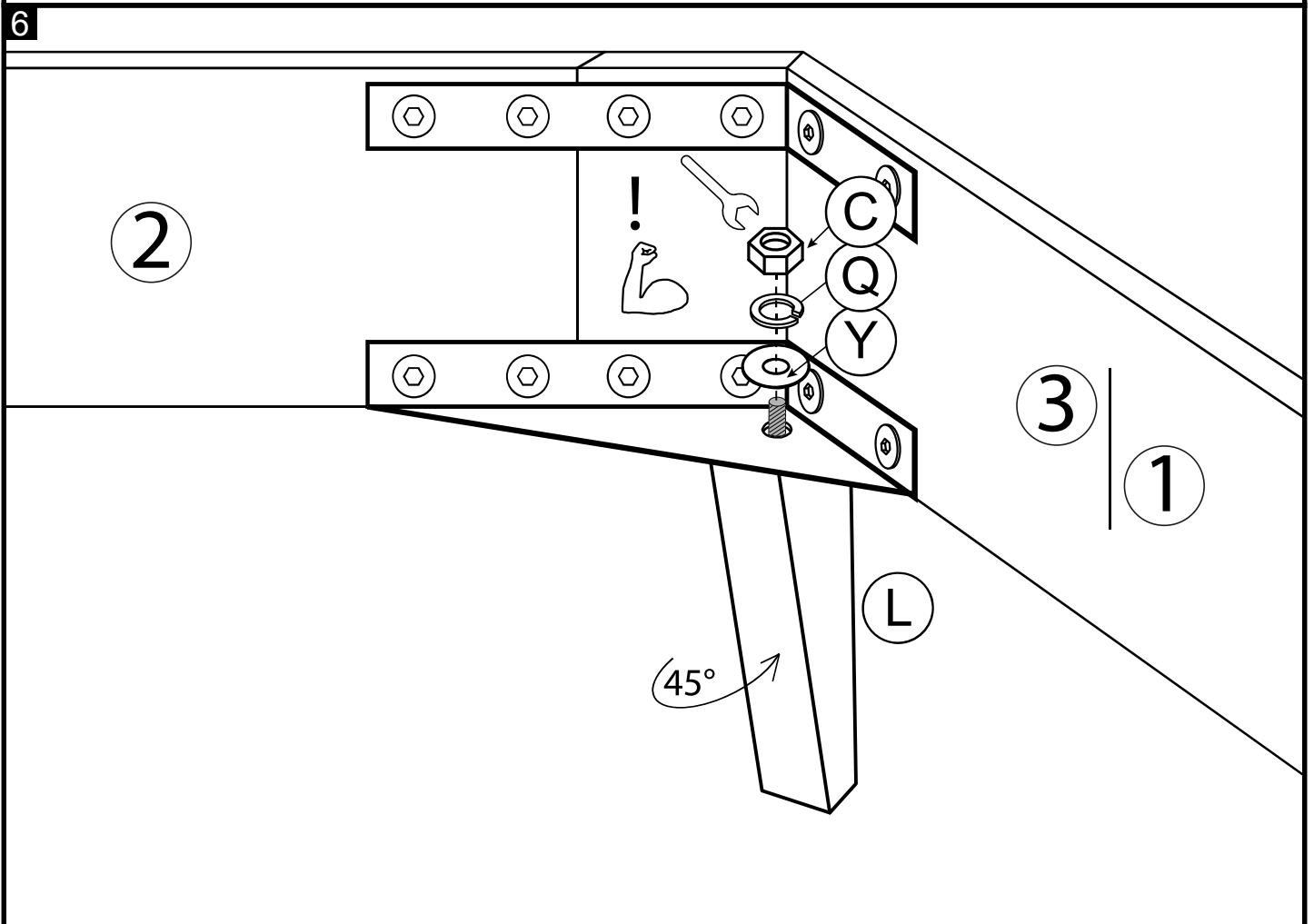
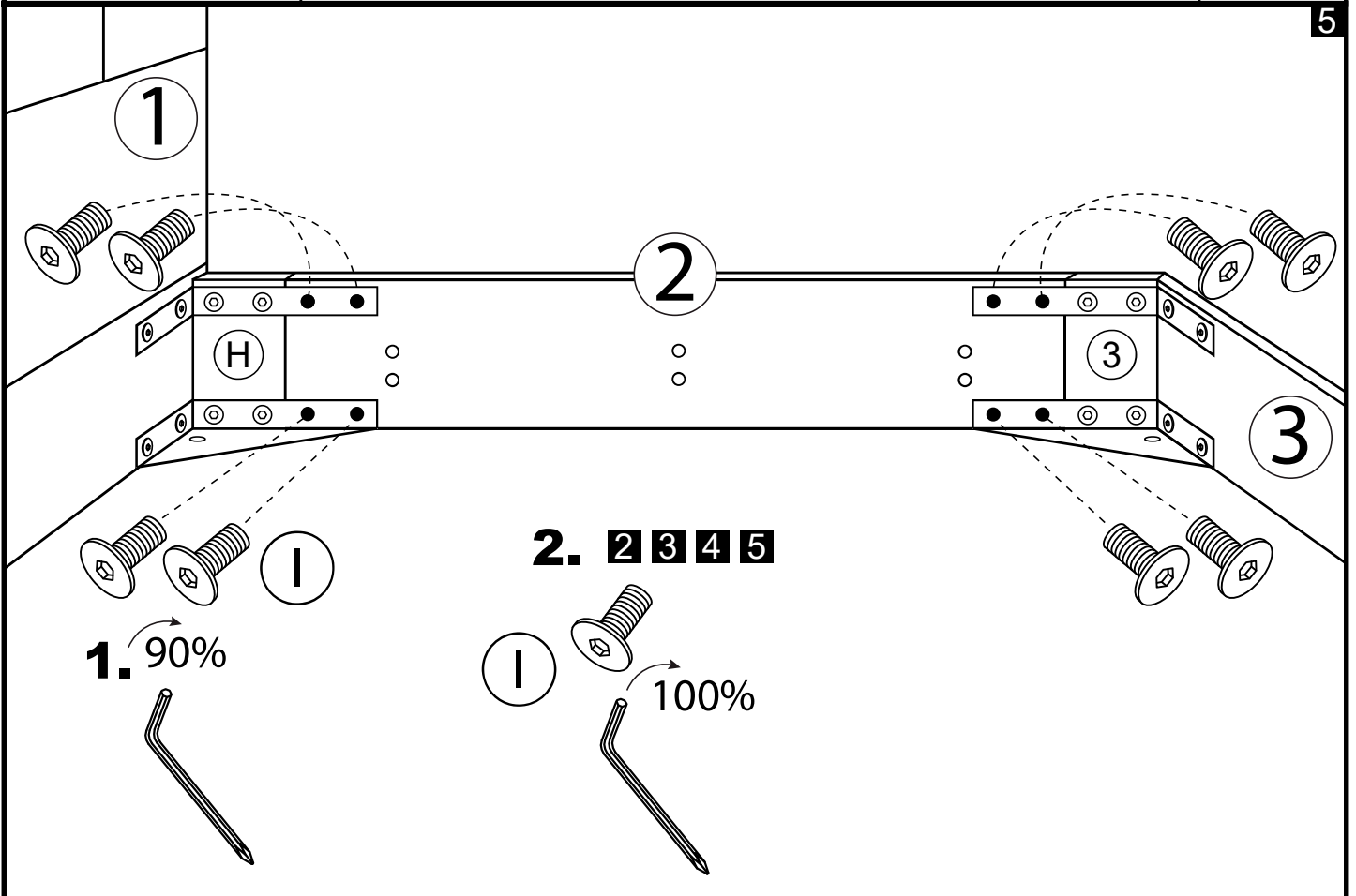


3

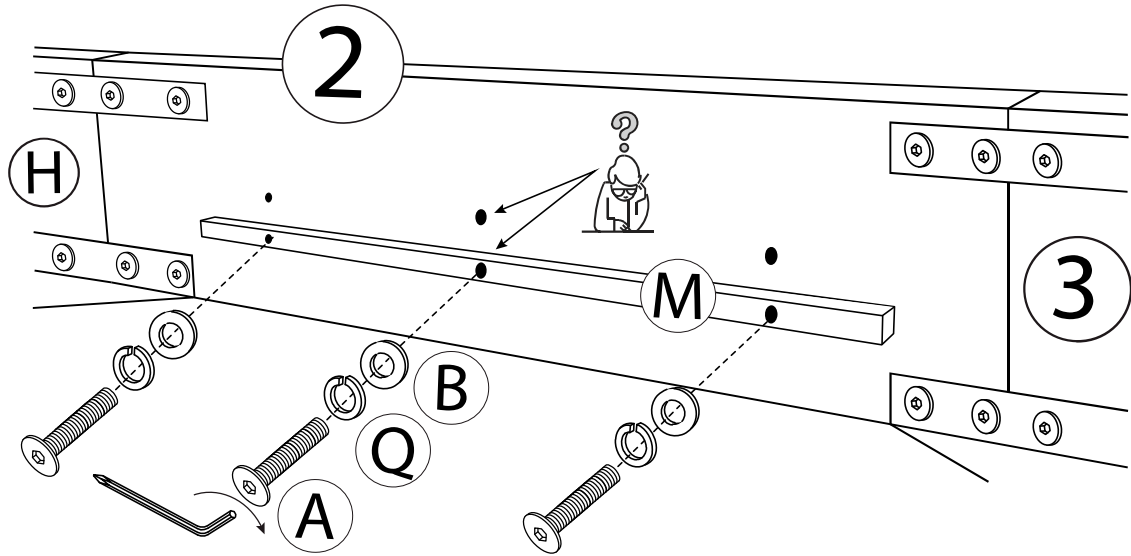


4

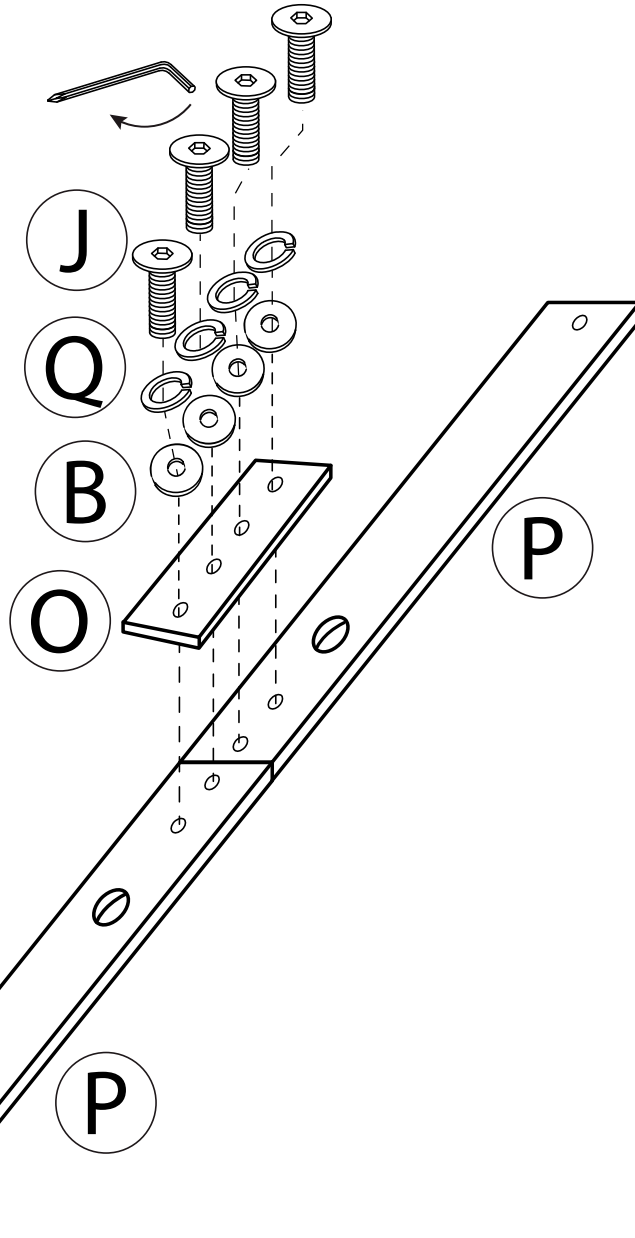




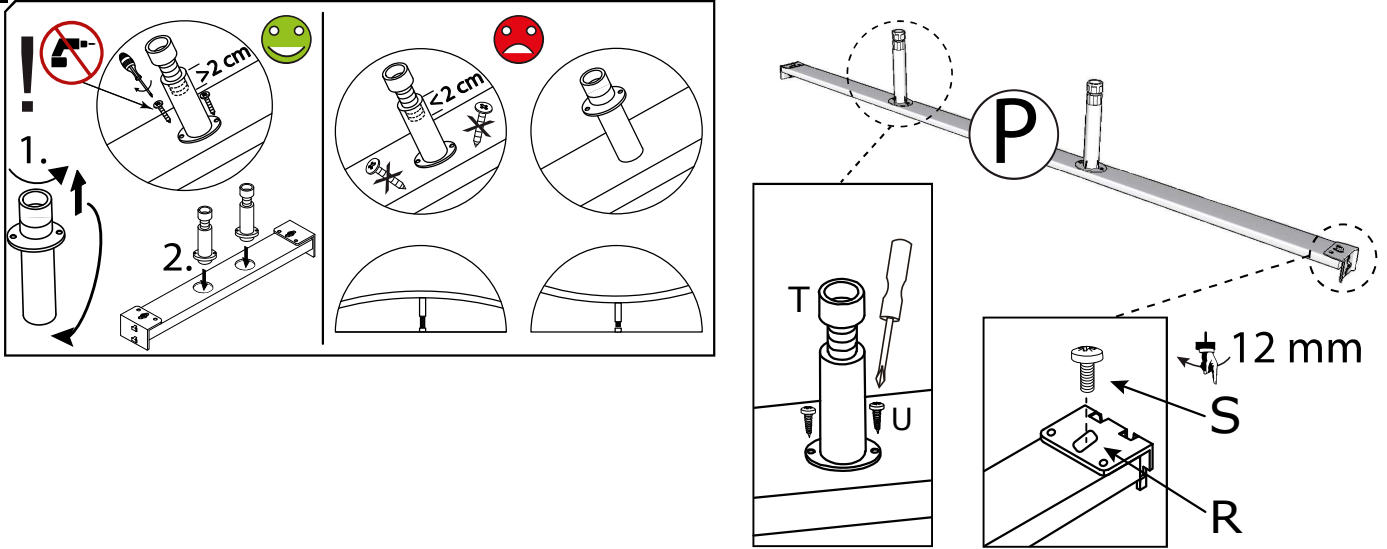
7



8



9



10

